

THE NEW SIMPLE INVERTER

FVR-Micro

SIMPLE & STRONG FVR-Micro



Ideal function to serve various needs with small-capacity inverters

High starting torque of 200% for 0.5s; 150% for 60s

Achieving powerful operation even at low speeds. (when slip compensation control is ON, and when running at 5Hz or more.)

Compatible with a wide range of frequency settings

The optimum frequency setting method can be selected to match your machine or equipment. Settings are performed by Kepad operation (↑↓ keys, potentiometer), analog input (4 to 20mA, 0 to +10V, 0 to 5V, 1 to 5V), or multistep speed settings (16 steps) etc.

A transistor output and a relay output are respectively provided.

This enables information signals such as running, frequency arrival, ready to operation signals to be output.

The output frequency can be set to maximum of 400Hz.

The Inverter can be used for equipment that require a high motor speed such as centrifugal separator. (in this case, check the operation in combination with the motor.)

Non-linear V/f pattern setting is possible

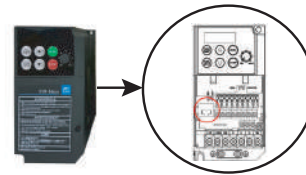
One point for the non-linear V/f pattern, which can be set as desired, has been added, and so the V/f pattern can be adjusted to match the application.

With inbuilt braking transistor

Compact

Built in RS-485 communication port (RJ-45) as standard

Rs-485 communications are available as standard specification.



Simple operation and wiring

Frequency setting potentiometer is standard equipment.

Simple manual adjustment of the frequency.



Maintenance

The alarm history for the 4 latest alarms is recorded.

Alarm history from back as far as the 4 latest alarms can be checked.

Interface for peripheral devices and comprehensive protective functions

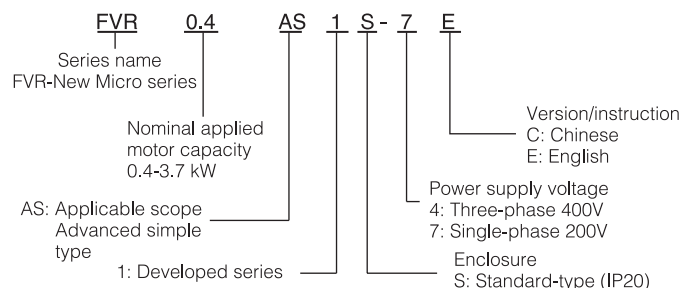
Sink/Source can be switched.

The input/output mode (Sink/Source) of the digital input terminals can be switched by means of an internal switch.

Model Variation

Standard application motor (kW)	Three-phase 400V series	Single-phase 200V series
0.4	FVR0.4AS1S-4E	FVR0.4AS1S-7E
0.75	FVR0.75AS1S-4E	FVR0.75AS1S-7E
1.5	FVR1.5AS1S-4E	FVR1.5AS1S-7E
2.2	FVR2.2AS1S-4E	FVR2.2AS1S-7E
3.7	FVR3.7AS1S-4E	

Inverter Type Description



Technical specifications

3-phase 400V series

Item		Specification				
Type (FVR □□□ AS1S-4E)		FVR0.4AS1S-4E	FVR0.75AS1S-4E	FVR1.5AS1S-4E	FVR2.2AS1S-4E	FVR3.7AS1S-4E
Applicable motor rating [kW]		0.4	0.75	1.5	2.2	3.7
Output	Rated voltage [V]	Equal to Input voltages with the deviation of less than 5%				
	Rated current [A]*1	1.5(1.8)	2.5(2.5)	4.2(4.3)	5.5(6.3)	9.0(10.5)
	Overload capability	150% of rated output current 1 minute				
	Frequency/Fluctuation	Rated frequency : 50/60 Hz Frequency range : 0.1 to 400Hz				
Input	Voltage/Allowable	3-phase 380(-15%) to 480 V(+10%)				
	Frequency [Hz]	50Hz or 60Hz (Allowed range : 47 ~ 63Hz)				
	Input current [A]	1.7	3.1	5.9	8.2	13
Braking transistor		Built-in				
Enclosure		IP20 (IEC 60529), UL open type (UL50)				
Cooling method		Natural cooling		Fan cooling		
Mass [kg]		0.8	0.9	1.0	1.0	1.3

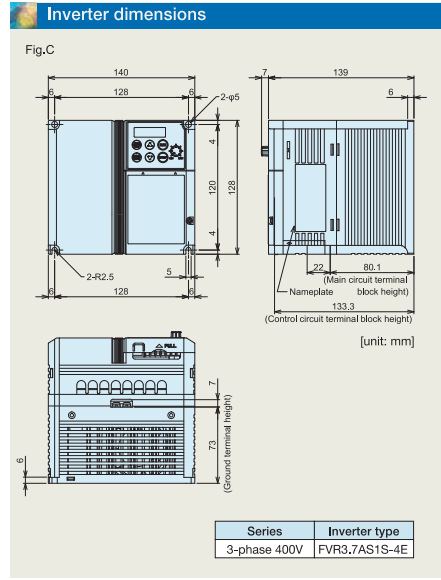
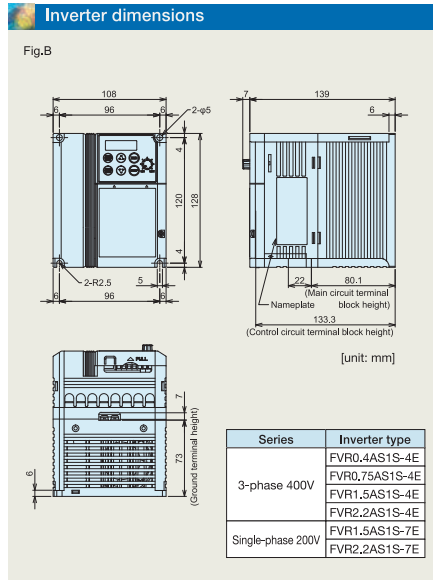
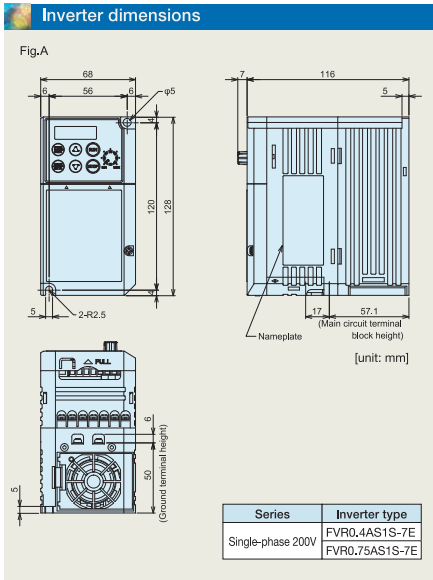
*1 The values in parenthesis : Ambient temperature 40°C or lower and carrier frequency 2kHz or less.

Single-phase 200V series

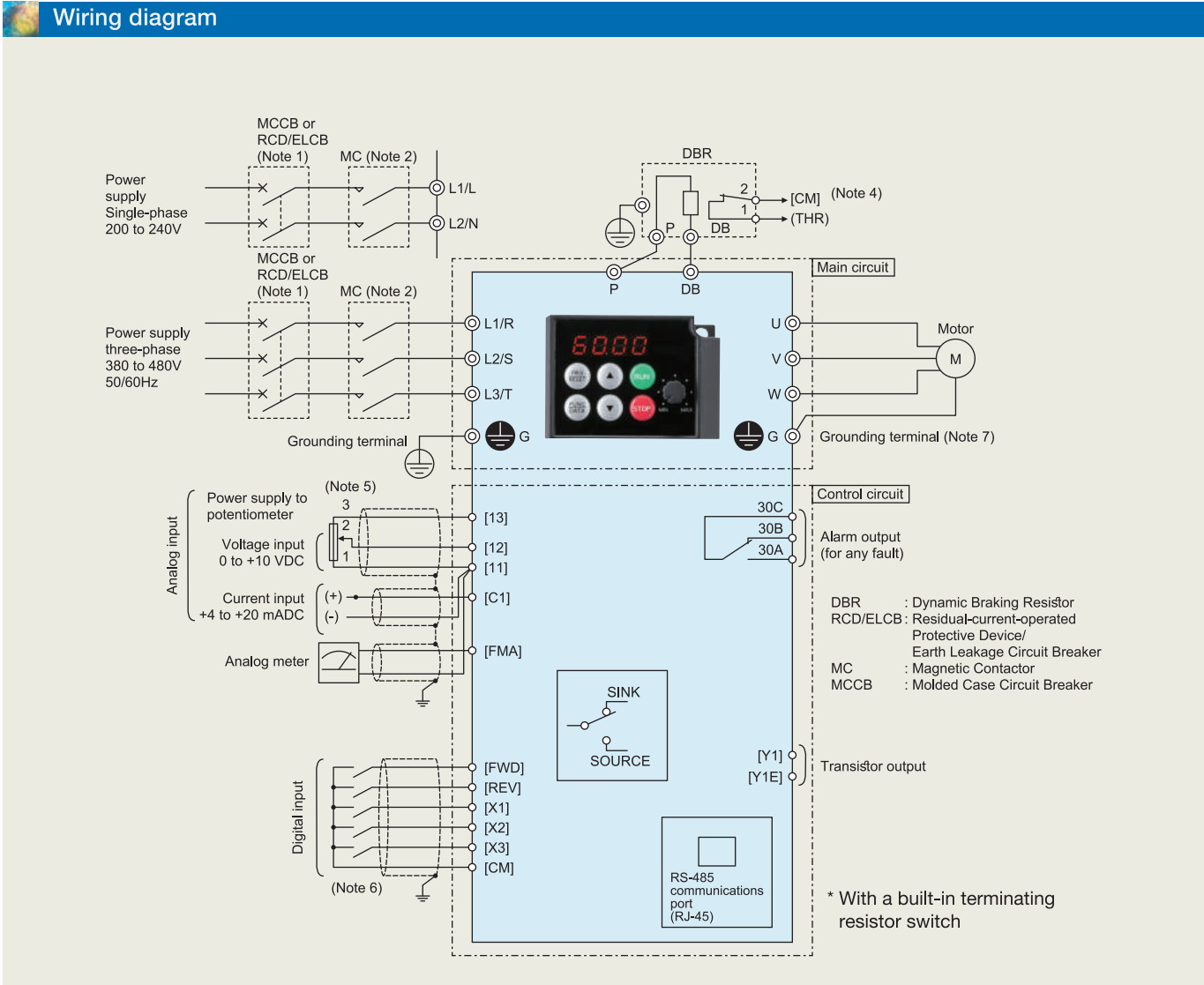
Item		Specification			
Type (FVR □□□ AS1S-7E)		FVR0.4AS1S-7E	FVR0.75AS1S-7E	FVR1.5AS1S-7E	FVR2.2AS1S-7E
Applicable motor rating [kW]		0.4	0.75	1.5	2.2
Output	Rated voltage [V]	Equal to Input voltages with the deviation of less than 5%			
	Rated current [A]*1	2.5(3.5)	4.2(4.2)	7.5(9.2)	10(10)
	Overload capability	150% of rated output current 1 minute			
	Frequency/Fluctuation	Rated frequency : 50/60 Hz Frequency range : 0.01 to 400Hz			
Input	Voltage/Allowable	Single-phase 200V(-10%) to 240 V(+10%)			
	Frequency [Hz]	50Hz or 60Hz (-5% to +5%)			
	Input current [A]	5.4	9.7	16.4	24
Braking transistor		Built-in			
Enclosure		IP20 (IEC 60529), UL open type (UL50)			
Cooling method		Fan cooling			
Mass [kg]		0.6	0.6	1.0	1.1

*1 The values in parenthesis : Ambient temperature 40°C or lower and carrier frequency 2kHz or less.

External Dimensions



Standard wiring



Fuji Electric India Pvt. Ltd.

(CIN:U31900TN1985PTCO11866)

119, 120, 120A, Electrical and Electronics Industrial Estate, Perungudi, Chennai - 600 096, Tamil Nadu, India

+91 78100 09955

enquiry.fe.i@fujielectric.com | info-fe.i@fujielectric.com

www.india.fujielectric.com



Scan QR code for Service support

Authorized Channel Partner

