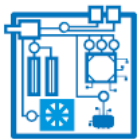


VS-Q Series HMI Product Manual





Powerful CPU

- Stable, efficient, safe, and reliable run in Linux.
- Industrial-grade high-performance processor.
- Cortex A7 CPU, with the main frequency up to 1.2GHz.



Diversified communication

- Multi-serial communication (RS232/422/485).
- Ethernet communication.
- Allowing one screen or multi-screen for one machine, or multi-screen for multi-machine.
- Optional IoT module, supporting remote monitoring, and remote program uploading and downloading.



Convenient configuration

- Multi-set recipes, multi-window function.
- Data acquisition, data alarm function.
- Macros are supported.
- Support for custom vector graphics.



Featured function

- PC can communicate directly with the PLC via the HMI.
- Online simulation function, PC can be directly connected to the PLC simulation configuration project.
- USB, Ethernet, U disk three ways to update the configuration of the project.



IoT operation and maintenance

- Supporting WiFi networking method.
- Supporting remote upload and download, firmware update HMI/PLC.
- Supporting cloud platform data monitoring, historical data storage, and alarm push.
- Supporting cloud configuration, GIS mapping, and monitoring via the mobile app.



Safe and reliable

- Industrial-grade design, stable operation.
- High-capacity FLASH supports permanent storage of large capacity data without loss of power.
- Support USB flash drive data storage.
- New password mechanism, more secure and reliable to use.

Technical specifications



Ordering code	11026-00025	11026-00031	11026-00022	11026-00023	11026-00029	11026-00024	11026-00028	11026-00026
Model	VS-043QE	VS-043QS	VS-070QE	VS-070QS	VS-070QS-G	VS-102QS	VS-102QS-G	VS-156QS
Display								
Display size	4.3"		7"			10.2"		15.6"
Resolution	480×272		800×480			1024×600		1920×1080
Screen material	ITO							
Color depth	24 bits							
Brightness (cd/m ²)	400		450					300
Backlight type	LED							
Backlight life (hr)	20000						15000	
Touch panel type	4-wire high accuracy touch panel							
CPU and memory								
CPU	Cortex-A7 1GHz (dual core)							Cortex-A7 1.2GHz
Memory	128M DDR3							256M DDR3
Flash	128M Flash							4G (EMMC)
Communication interface								
USB	USB Client × 1, USB Host × 1							
Serial * interface	COM1	RS232	RS485	RS232				
	COM2	RS485/422	-	RS485/422				
	COM3	-	-	RS485				
Ethernet	-	Support	-	Support				
SD card slot	-							
WIFI	-			Support		-		Support
Power supply								
Rated voltage	12-24VDC (±15%)							
Rated power	3W		4W			7W		10W
Environment								
Work temperature	-20~55 °C							
Work humidity	5~95%RH (No condensation)							
Protection level	IP65 (front panel)							
Certification								
CE	EN55032, EN55035							
FCC compatibility	FCC, Class A							
Dimensions and weight								
Physical dimension W*H*D (mm)	139×86×31	139×86×31	203×145×35			273×211×40		395×257×31
Hole dimension A*B (mm)	132×80	132×80	192×138			259×201		383×246
Weight (Kg)	0.2	0.214	0.7			1.05		2.45
configuration								
Configuration software	HMITOOL							

Note: ● Indicates Support - Indicates not supported * In the serial interface, DB9 is a male socket

/ Module specifications



Wi-Fi module

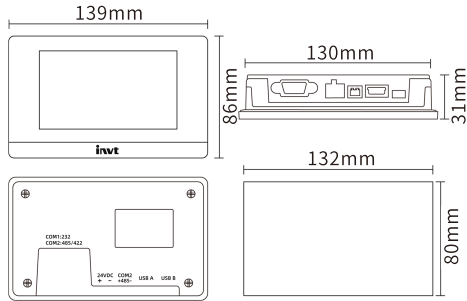


HMI combination method

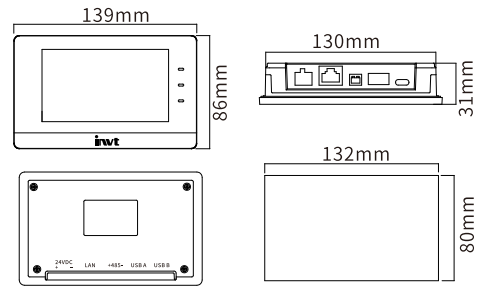
Ordering code		11095-00023	
Model		VS-Q-WIFI	
Hardware parameters	Physical dimension (mm)	40.5 × 55.95 × 27.5	
	Weight (g)	26	
	Work temperature	-20°C~55°C (no freezing)	
	Work humidity	5~95%RH (No condensation)	
	Vibration resistance	10~25Hz(XYZ direction 2G/30min)	
	Shell material	Engineering plastic ABS+PC	
	Networking method	WIFI	
	Network frequency band		IEEE 802.11b
			IEEE 802.11g
			IEEE 802.11n
	Network reconnection	Supported	
Offline transmission resuming	Supported		
API interface	Supported		
Software parameter	VNC function	Supported	
	Data monitoring	Support up to 280 data points	
	Historical data	Supports up to 20,000 data items	
	Alarm push	Support client push and WeChat public account push	

Dimension

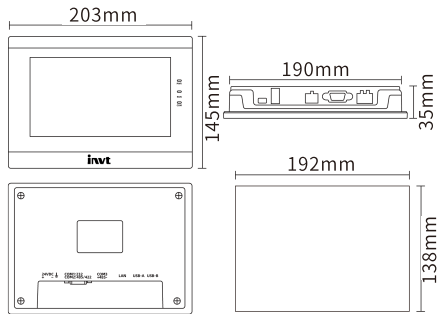
VS-043QE



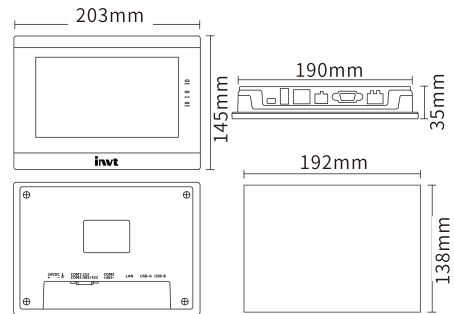
VS-043QS



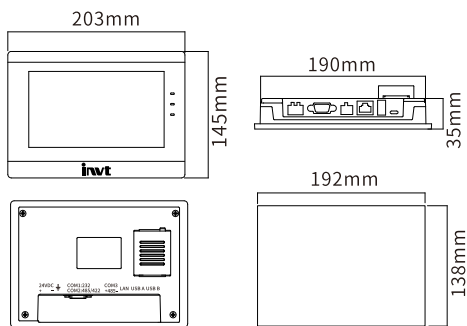
VS-070QE



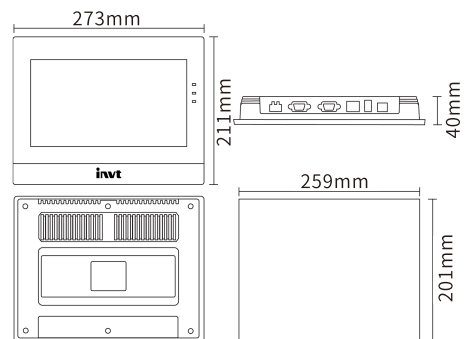
VS-070QS



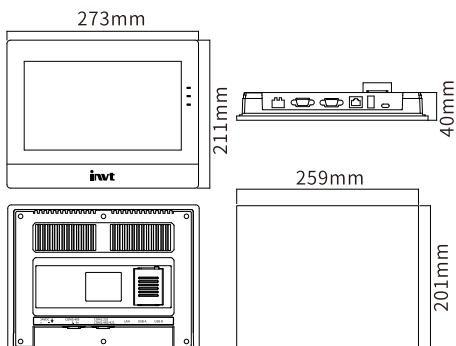
VS-070QS-G



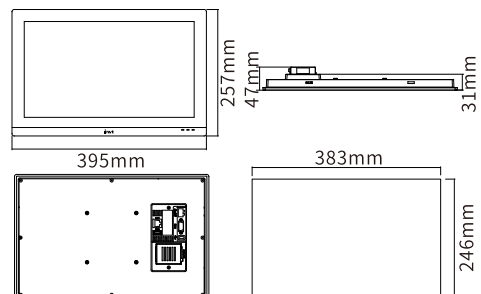
VS-102QS



VS-102QS-G



VS-156QS



Your Trusted Industry Automation Solution Provider



E-mail: overseas@invt.com.cn Website: www.invt.com

SHENZHEN INVT ELECTRIC CO.,LTD. INVT Guangming Technology Building, Songbai Road, Matian, Guangming District, Shenzhen, China

- Industrial Automation:**
- HMI
 - PLC
 - VFD
 - Servo System
 - Elevator Intelligent Control System
 - Rail Transit Traction System
- Electric Power:**
- UPS
 - DCIM
 - Solar Inverter
 - New Energy Vehicle Powertrain System
 - New Energy Vehicle Charging System
 - New Energy Vehicle Motor

INVT Copyright.
Information may be subject to change without notice during product improving.

66003-00285

202408(V2.0)