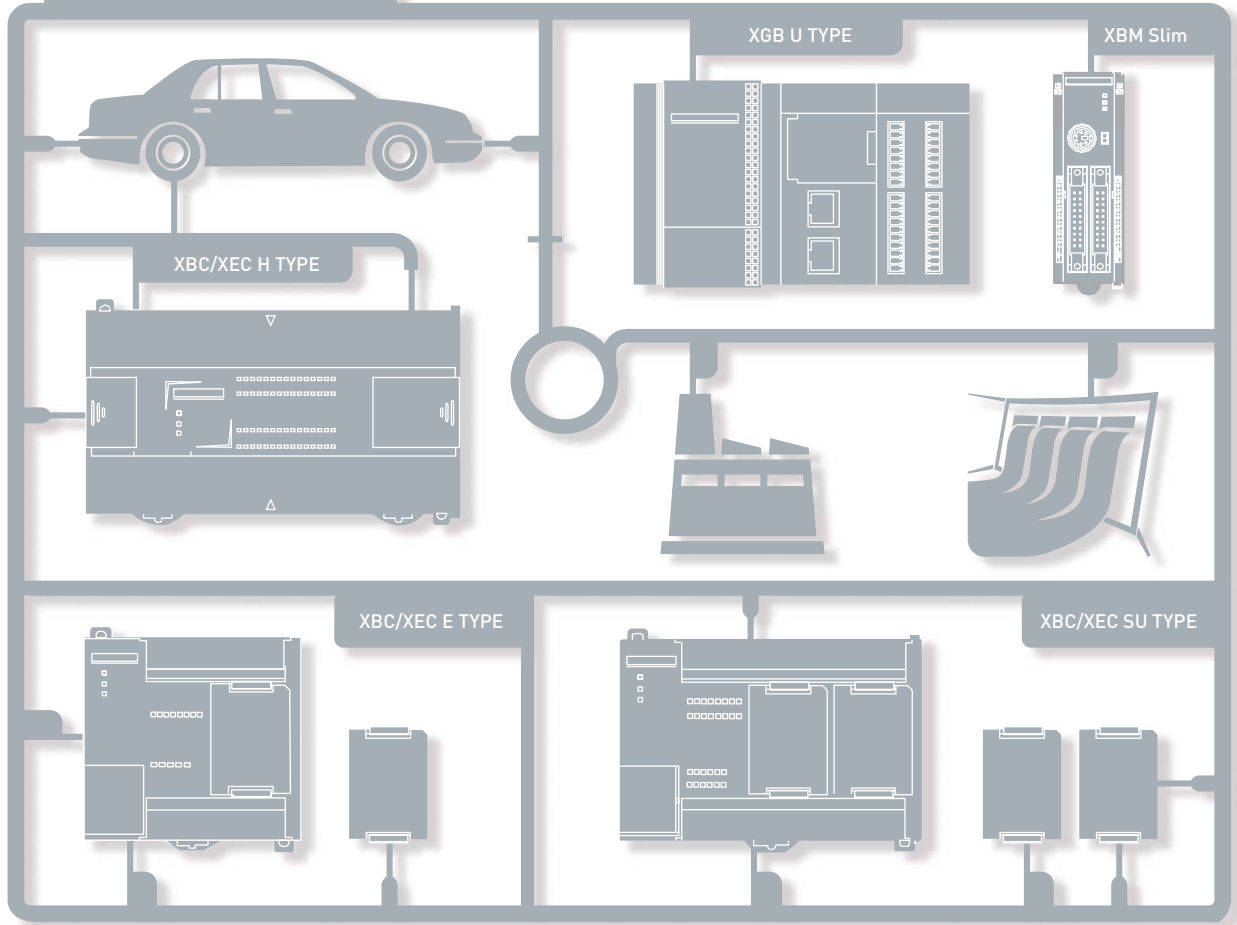




Programmable Logic Controller
XGB Series

Programmable Logic Controller

XGB Series



EASINESS
COMPACTNESS
FUNCTIONALITY
CONVENIENCE
HIGH PERFORMANCE

Programmable Logic Controller
XGB Series



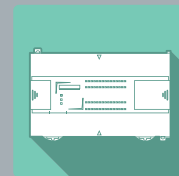
FEATURES
4 ~ 15

FEATURES



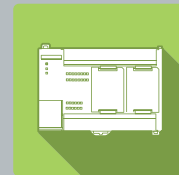
XBC/XEC U
16 ~ 23

XGB U



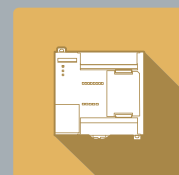
XBC/XEC H
24 ~ 29

XBC/XEC H



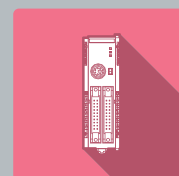
XBC/XEC SU
30 ~ 33

XBC/XEC SU



XBC/XEC E
40 ~ 47

XBC/XEC E



XBM Slim
48 ~ 55

XBM Slim



APPLICATION
56 ~ 103

APPLICATION

All-In-One PLC

With Next Generation Technology



XGB

XGB is a micro PLC that offers maximum performance at minimum cost.

With its high functionality, XGB supports from simple control system to complex task.

Strengthening its communication functions, XGB offers user-oriented integrated control.

Based on its strengths, XGB can be used in many application fields.



Series

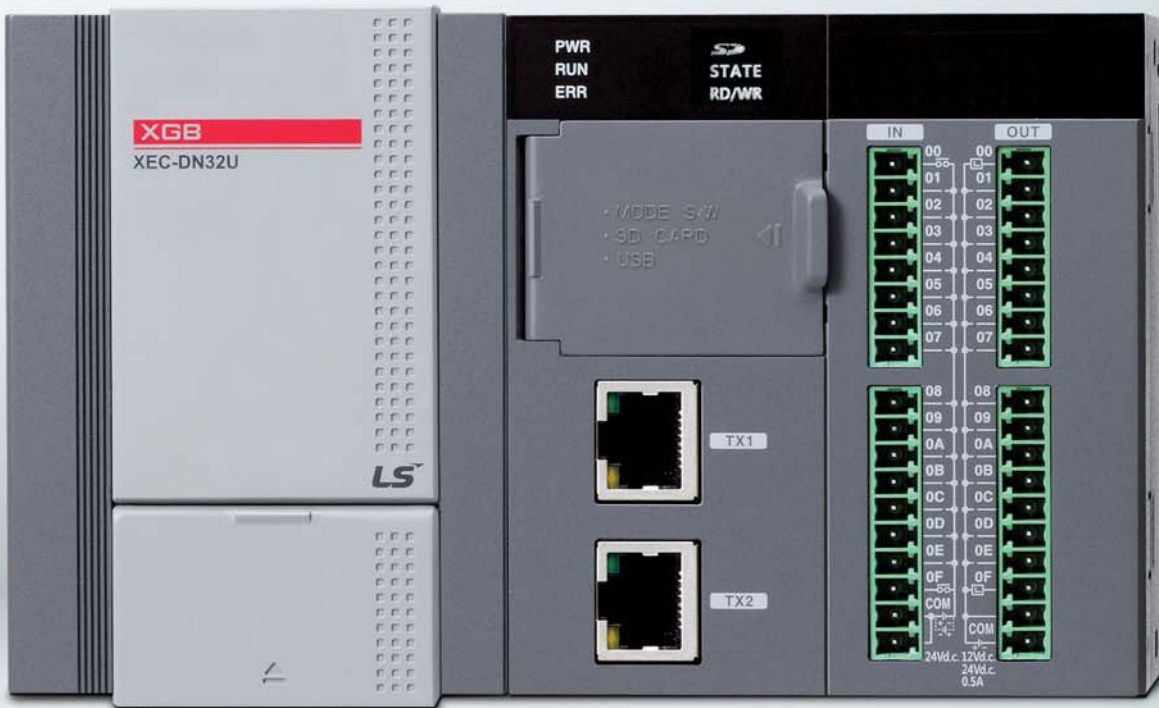
It's Slim It's Powerful



It's Slim

Item Size (W×H×D)	XBC/XEC U Type (Standard)	XBC/XEC H Type	XBC/XEC SU Type	XBC/XEC E Type	XBM Slim Type
Size (W×H×D)	150×64×90	114×64×90	135×64×90	100×64×90	30×60×90

Expansion	Special Module	Communication Module
Size (W×H×D)	20×63×90	27×63×90



※ The actual size of the product

It's Powerful

Ethernet
1 Ch.
(Dual Port)

RS-232C
1 Ch.

RS-485
1 Ch.

PID

Web
Server

Data Log

USB

Pulse catch

High speed
counter
8 Ch.

Analog
input/
output 8 Ch.

Positioning
4 axes

External
interrupt

※ XBC/XEC U Type

What you have dreamed of, we make it happen.

XGB U sets new standards in **Ultimate performance** with its many innovations

IoT (Internet of Things) realizes smart factories

XGB-U is a **user-oriented** controller

High Speed Backplane I/F Module

30 times faster than basic module

25,3 μ s/word

Basic Module

0,83 μ s/word

High Speed Backplane I/F Module



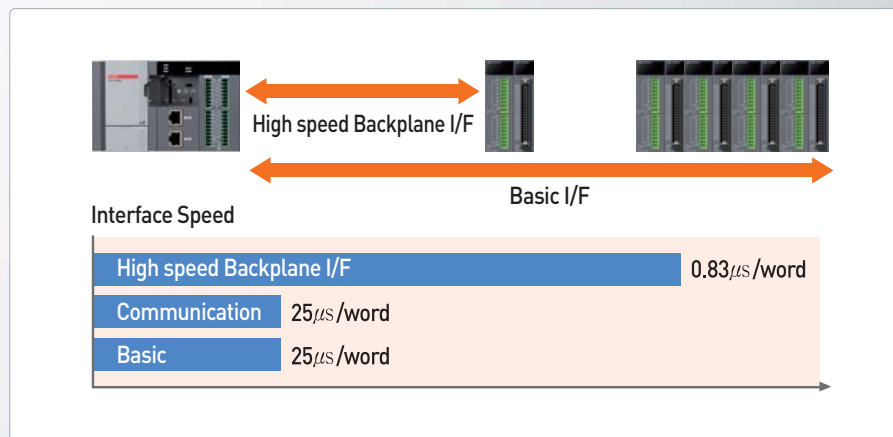


Various Expansion

- Compatible with XGB expansion modules
- Max. 2 High speed backplane expansion modules
- Max. 10 expansion modules
- Max. 352 I/O points
- Expansion I/O module
 - DC24 input, Transistor output, Relay output
- Special module
 - Analog input, Analog output, RTD, Thermocouple, High-speed counter, Positioning (Line drive 2 axes, EtherCAT network 8 axes)
- Communication modules
 - RS-232C, RS-422/485, Ethernet, CANopen (Master/Slave), Profibus-DP (Master/Slave), DeviceNet (Slave), EtherNet/IP, RAPIEnet

Expansion(XBC/XEC U Type)

- Max. 10 expansion modules
 - Max. 2 High speed backplane modules
 - Max. 2 Communication modules

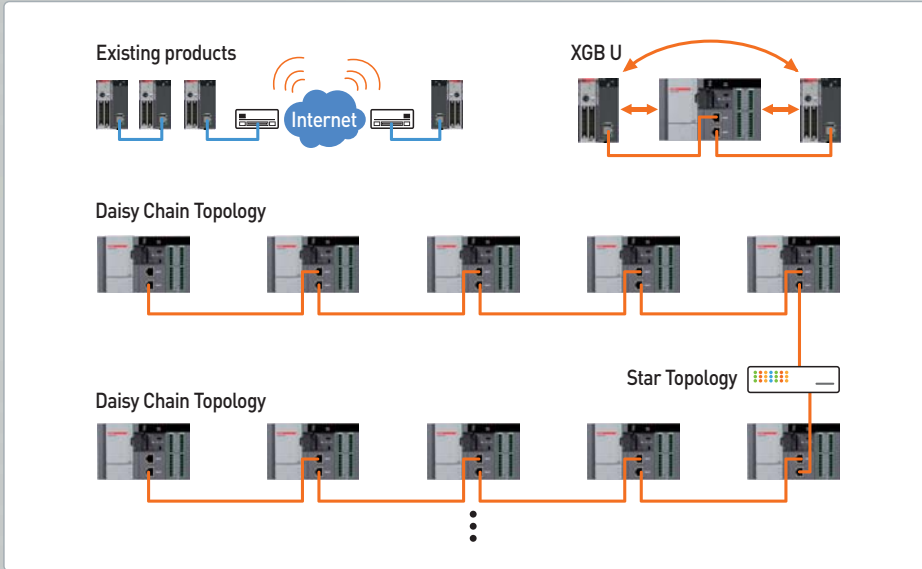


Data Log

- Easy parameter set up for [General save], [Trigger save], [Event save] without instruction
- 16GB of operation data storable
- Additional function
 - SD memory format, FTP link, Diagnosis, Sending email attached with a data log file
 - PLC program upload/download
 - O/S update

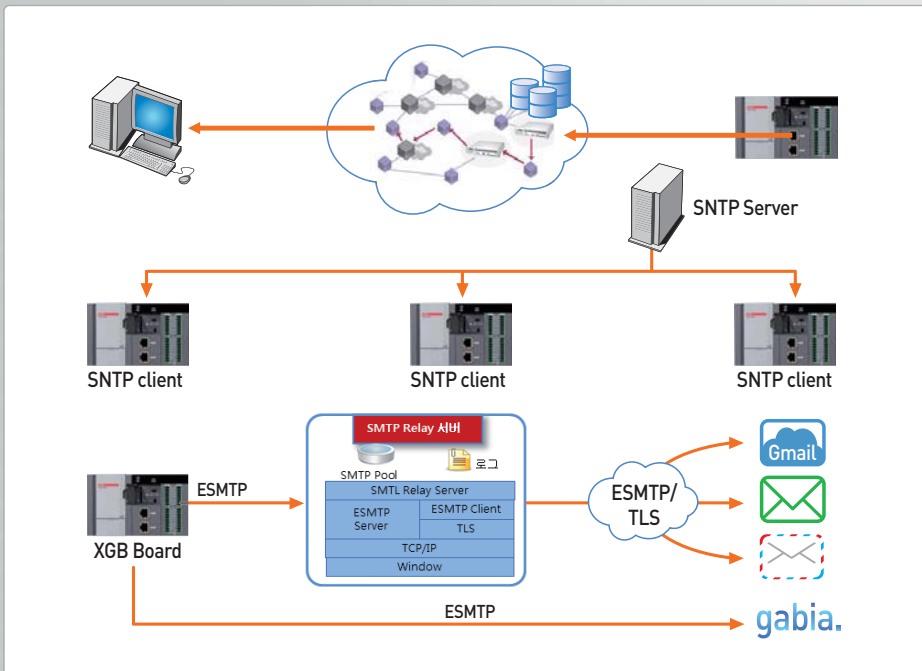
Dual Port Ethernet(XBC/XEC U type)

- 2 ports unmanaged Ethernet switch support
- Cost saving through simple wiring
- FTP server support (Data logging)



Web Server

- Monitoring of PLC information and data through web browser (PLC basic info., module info., diagnosis, device monitoring, flag monitoring, data log file download, O/S update, ladder program update, etc.)
- Time synchronization by setting basic parameters (SNTP: Simple Network Time Protocol)
- Email service through commercial email (SMTP: Simple Mail Transfer Protocol)



Compactness Function
High Performance Easiness

Ultimate Performance Universal IoT User Oriented



U will experience the utmost efficiency for your applications with U's outstanding features

Powerful built-in function

Built-in high speed counter

Phase	XBC/XEC				XBM
	U	H	SU	E	
1 Phase	100kHz(8Ch)	100kHz(4Ch) 20kHz(4Ch)	100kHz(2Ch) 20kHz(6Ch)	4kHz	20kHz
	8Ch	8Ch	8Ch	4Ch	4Ch
2 Phase	50kHz(4Ch)	50kHz(4Ch) 10kHz(4Ch)	50kHz(1Ch) 8kHz(3Ch)	2kHz	2 multiplication: 10kHz 4 multiplication: 8kHz
	4Ch	4Ch	4Ch	2Ch	2Ch



Built-in PID function

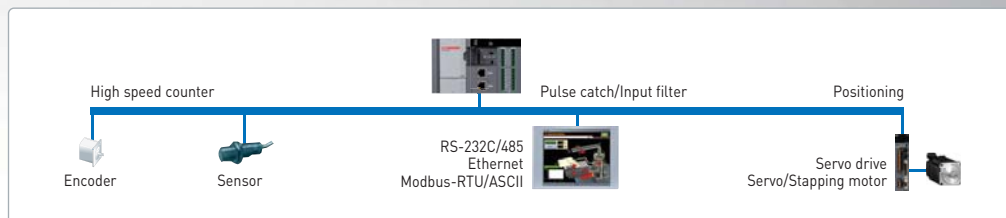
- It supports built-in PID control function up to 16 loops.
 - It provides parameter setting using XG5000, convenient loop state monitoring through trend monitor.
 - It can simply get a coefficient value by improved auto-tuning algorithm
 - Control accuracy improvement by using various additional functions such as PWM output, Δ MV, Δ PV, SV Ramp, etc.
 - It provides various control modes such as forward/reverse mixed operation, 2-stage SV PID control, cascade control, etc.
 - Various alarm functions such as MV high/low limit, PV high/low limit, PV variation

Built-in analog I/O function (Available for XBC/XEC-DN32UA type only)

- Built-in analog input 4 channels (voltage/current, 14bit)
- Built-in analog output 4 channels (voltage/current 14bit)

Built-in position control function (Available for XBC/XEC-DN32UP type only)

- Line drive output positioning function with up to 2Mpps 4-axis
- Parameter set up by XG-PM providing operation data edition, divers monitoring and diagnosis functions.

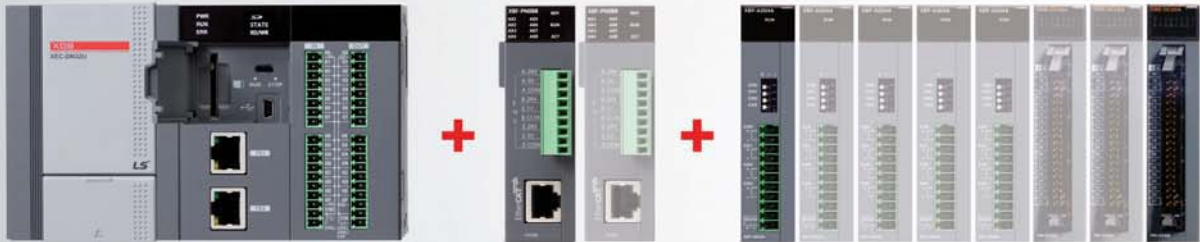


Features

With its high-speed processing and system capability, XGB offers the utmost efficiency for your applications.



XBC/XEC U



Standard type

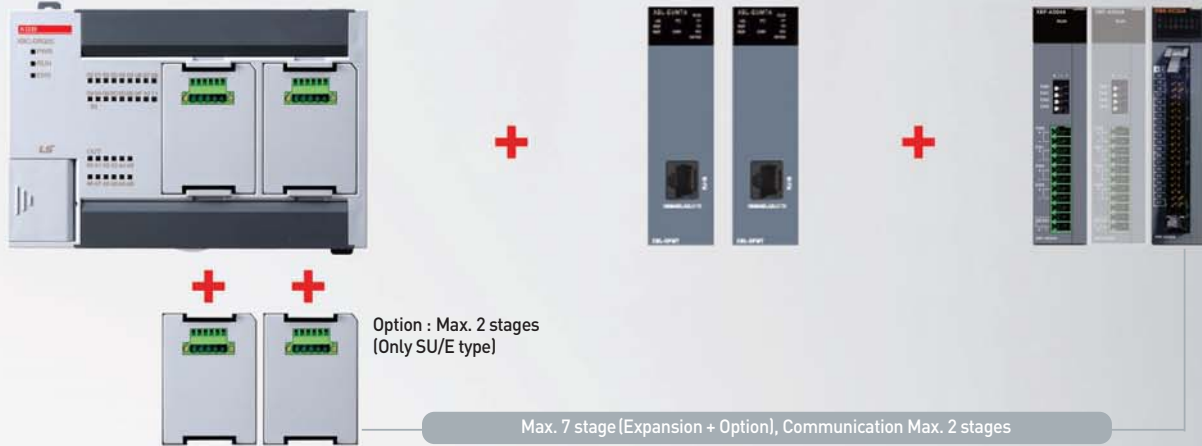
Max. 10 stages (High speed interface module : Max. 2 stages)

XBC/XEC H

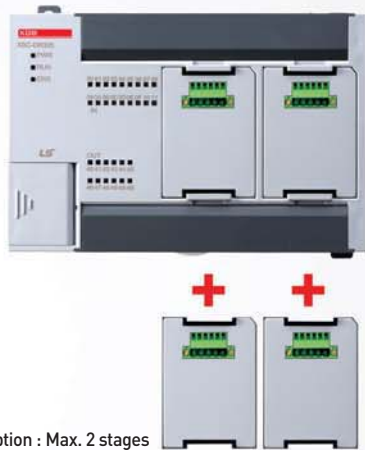


Max. 10 stage (Including communication 2 stages)

XBC/XEC SU

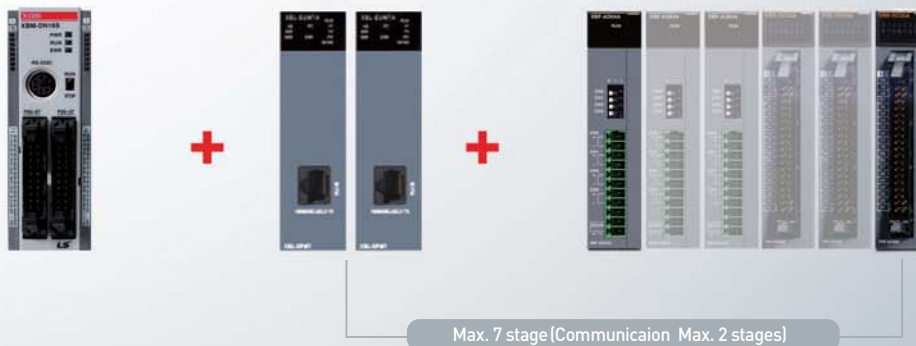


XBC/XEC E



Option modules	
XBO-M2MB	Memory / program READ/WRITE
XBO-RTCA	RTC (Real time clock), Battery
XBO-DC04A	DC 24V, Input 4 points
XBO-TN04A	TR (Sink), Output 4 points
XBO-AD02A	Voltage/Current, Input 2ch
XBO-DA02A	Voltage/Current, Output 2ch
XBO-AH02A	Voltage/Current, Input 1ch / Voltage/Current, Output 1ch
XBO-RD01A	RTD (Resistance temperature detector), Input 1ch
XBO-TC02A	TC (Thermo couple), Input 2ch

XBM Slim





XGB U

Ultimate Performance
Universal IoT
User Oriented

C o n t e n t s

General specifications	18
Performance specifications	19
Wiring	23





Block type unit (U, H, SU, E)



Item	Descriptions			Standard
Ambient temperature	0 ~ 55 °C			
Storage temperature	-25 ~ +70 °C			
Ambient humidity	5 ~ 95%RH (Non-condensing)			
Storage humidity	5 ~ 95%RH (Non-condensing)			
Vibration resistance	Occasional vibration			10 times each direction (X, Y and Z) IEC61131-2
	Frequency	Acceleration	Pulse width	
	10 ≤ f < 57Hz	-	0.075mm	
	57 ≤ f ≤ 150Hz	9.8m/s ² (1G)	-	
	Continuous vibration			
	Frequency	Acceleration	Pulse width	
10 ≤ f < 57Hz	-	0.035mm		
57 ≤ f ≤ 150Hz	4.9m/s ² (0.5G)	-		
Shock resistance	<ul style="list-style-type: none"> • Peak acceleration: 147m/s² (15g) • Duration: 11ms • Pulse waveform: Half-sine, 3times each direction per each axis 			IEC61131-2
Noise resistance	Square wave impulse noise	±500 V		LSIS Standard
	Electrostatic discharge	4kV		IEC61131-2 IEC61000-4-2
	Radiated electromagnetic field noise	80 ~ 1000MHz, 10V/m		IEC61131-2 IEC61000-4-3
	Fast transient/ Burst noise	Main unit	Expansion module	
2kV		1kV		
Operating ambience	Free from corrosive gases and excessive dust			
Altitude	Up to 2,000m			
Pollution level ^{*1)}	Less than 2			
Cooling	Air-cooling			

*1) Pollution level indicates the degree to which conductive material is generated in the environment where the equipment is used. Pollution level 2 is the condition that only non-conductive pollution occurred but temporary conductivity may be produced due to condensing.

Performance specifications | Block type unit

XBC U

Performance specifications

Item	Specifications						Remark
	XBC-DN(P)32U	XBC-DR28U	XBC-DN(P)32UA	XBC-DR28UA	XBC-DN(P)32UP	XBC-DR28UP	
Program control method	Cyclic execution of stored program, Time-driven interrupt, Process-driven interrupt						
I/O control method	Batch processing by simultaneous scan (Refresh method), Directed by program instruction						
Program language	Ladder Diagram, Instruction List						
Number of instructions	Basic						28
	Application						677
Processing speed (Basic instruction)	60ns/step						
Program capacity	32Kstep						
Max. I/O points	352points	348points	352points	348points	352points	348points	Main + 10 expansions
Data area	P	P00000 ~ P2047F(32,768 point)					Input/Output
	M	M00000 ~ M2047F(32,768 point)					
	K	K00000 ~ K8191F(131,072 point)					
	L	L00000 ~ L4095F (65,536 point)					Link
	F	F00000 ~ F2047F (32,768 point)					Flag
	T	100ms, 10ms, 1ms: T0000 ~ T2047 (2,048 point)					Timer
	C	C000 ~ C2047 (2,048 point)					Counter
	S	S00.00 ~ S127.99					Step
	D	D00000 ~ D19999(20000word)					Data register
	U	U00.00 ~ U0B.31 (384 word)					Analog Data
	Z	Z000~Z127 (128 word)					
	N	N0000~N10239(10,240 word)					
File register	R	RAM area 2 block (R0 ~ R16,383)					
		FLASH area : 4 block (128Kbyte)					
Total program	256						
Initial task	Initial task	1					
	Cyclic task	Max 16					
	I/O task	Max 8					
	Internal device task	Max 16					
	High Speed Counter task	Max 8					
Operation mode	RUN, STOP, DEBUG						
Self-diagnosis function	Detects errors of scan time, memory, I/O and power supply						
Program port	USB 1 channel, Ethernet						
Retain data at power failure	Latch area setting in basic parameter						
Internal consumption current	700mA	990mA	780mA	1,040mA	1,250mA	1,550mA	
Weight	571g	630g	683g	732g	673g	722g	

*1) Auto-MDIX (Automatic medium-dependent interface crossover) :
It is the function to automatically detect whether the cable connected to the Ethernet port is peer-to-peer(straight) or cross cable

XEC U

Performance specifications

Item	Specifications						Remark
	XEC-DN(P)32U	XEC-DR28U	XEC-DN(P)32UA	XEC-DR28UA	XEC-DN(P)32UP	XEC-DR28UP	
Program control method	Cyclic execution of stored program, Time-driven interrupt, Process-driven interrupt						
I/O control method	Batch processing by simultaneous scan (Refresh method), Directed by program instruction						
Program language	Ladder Diagram, Instruction List, SFC, ST						
Number of instructions	Operator	18					
	Basic function	136 + Floating-point Arithmetic Functions					
	Basic function block	43					
	Special function block	Each special module has own special function blocks					
Processing speed (Basic instruction)	60ns/step						
Program memory	384Kbyte						
Max. I/O points	352points	348points	352points	348points	352points	348points	Main + 10 expansions
Data area	Symbolic variable(A)	64KB (Retain setting available)					
	Input variable(I)	2KB					
	Output variable(Q)	2KB					
	Direct variable	M	32KB (Retain setting available)				
		R	32KB * 2blocks				
		W	64KB				Same area with R
	Flag variable	F	4KB				System flag
		K	16KB				Keep relay
		L	8KB				Link relay
		U	768 Byte				Analog data refresh area
N		20KB				P2P parameter	
Flash area	4blocks (128Kbyte)					Using R device	
Timer	No limit in points (Time range: 0.001~ 4,294,967.295)						
Counter	No limit in points (Counter range: 64 bit range)						
Total program	256						
Initial task	Initial task	1					
	Cyclic task	Max 16					
	Initial task	1					
	Cyclic task	Max 16					
	I/O task	Max 8					
	Internal device task	Max 16					
	High Speed Counter task	Max 8					
Operation mode	RUN, STOP, DEBUG						
Self-diagnosis function	Detects errors of scan time, memory, I/O and power supply						
Program port	USB 1 channel						
Retain data at power failure	Latch area setting in basic parameter						
Internal consumption current	700mA	990mA	780mA	1,040mA	1,250mA	1,550mA	
Weight	571g	630g	683g	732g	673g	722g	

Built-in function

Item		Specifications					Remark
		XBC/XEC-DN(P)32U	XBC/XEC-DR28U	XBC/XEC-DN(P)32UA	XBC/XEC-DR28UA	XBC/XEC-DN(P)32UP	
PID control		Control by instruction, auto-tuning, PWM output, Forced output, Operation scan time setting, Antiwindup, Delta MV, PV tracking, Hybrid operation, Cascade operation					
Seria	Protocol	Dedicated protocol, Modbus protocol, User defined protocol, LS bus(inverter protocol)					Embedded00 P2P:01
	Channel	RS-232C 1 port and RS-485 1 port					
Ethernet	Transfer spec	Cable: 100Base-TX Speed: 100Mbps Auto-MDIX *1 IEEE 802.3					Embedded01 P2P:02 High-speed link:01
	Topology	Line, star					
	Diagnosis	Module information, service condition					
	Protocol	XGT dedicated Modbus TCP/IP user define frame					
	Service	P2P, High Speed link, Remote connection					
Datalog	Group	Max 10 group					
	Data set	32 per group					
	Extension	csv file					
	File size	Max 16Mbyte					
	SD memory type	SD,SDHC type(Recommand: SanDisk,Transcend)					
	Memory size	Max 16GB					
High Speed Counter	Performance	1-phase : 100KHz 8 channels 2-phase : 50KHz 4 channels					
	Counter mode	4 counter modes are supported based on input pulse and INC/DEC method <ul style="list-style-type: none"> • 1 pulse operation Mode : INC/DEC count by program • 1 pulse operation Mode : INC/DEC count by phase B pulse input • 2 pulse operation Mode : INC/DEC count by input pulse • 2 pulse operation Mode : INC/DEC count by difference of phase 					
	Function	<ul style="list-style-type: none"> • Internal/external preset • Latch counter • Compare output • No. of rotation per unit time 					

*1) Auto-MDIX(Automatic medium-dependent interface crossover) : It is the function to automatically detect whether the cable connected to the Ethernet port is peer-to-peer(straight) or cross cable

XGB U

XEC U

Positioning

Item	Specifications	Remark
Basic Function	No. of control axis: 4axis Control Method:Position, Speed, Speed/Position,Feed Control Control Unit: Pulse ,mm, inch, degree Positioning Data: Each axis can have up to 400 data(Step number:1~400) Operation pattern: End, Keep, Continuous Operation method: Singular, Repeat	Available On UP type
interpolation	2/3/4 axis linear interpolation 2 axis circular interpolation 3 axis helical interpolation	
Positioning	Method: Absolute/Incremental method Address range: 2,147,483,648~2,147,483,647 Speed: Max 2Mpps(1~2,000,000pps) Acc /Dec process: Trapezoid type, S-type	
Homing method	DOG+HOME(Off), DOG+HOME(On), Upper limit + HOME,DOG, High speed, Upper/Lower limit, HOME	
Manual operation	Jog operation, MPG operation, Inching operation	
Encoder input	Line drive(RS-422A) input 1Channel(Max 200kpps)	

Analog

Item	Specifications	Remark			
Analog input	Channels	4channels (current/voltage)	Available On UP type		
	Specification	Input Range		Voltage: 1~5V, 0~5V, 0~10V, -10~10V, Current: 4~20 mA,0~20 mA Current input or Voltage input can be selected through the external terminal wiring setting.	
		Input resistance		1 MΩ or more(voltage input), 250 Ω (current input)	
		Max.Resolution		1/16000	
				0.250mV(1 ~ 5V), 0.3125mV(0 ~ 5V) 0.625mV(0 ~ 10V), 1.250mV(±10V)	1.0 μA (4 ~ 20 mA) 1.25 μA (0 ~ 20 mA)
		Accuracy		±0.2% or less (When ambient temperature is 25 °C) ±0.3% or less (When ambient temperature is 0 ~ 55 °C)	
Analog output	Channels	Voltage 2 channels ,Current 2 channels	Available On UP type		
	Specification	Output Range		Voltage: 1~5V, 0~5V, 0~10V, -10~10V, Current: 4~20 mA,0~20 mA Output ranges are set in user program or I/O parameter per each channel.	
		Load resistance		1 MΩ or more(voltage output), 600 Ω or less(current output)	
		Max.Resolution		1/16000	
				0.250mV(1 ~ 5V), 0.3125mV(0 ~ 5V) 0.625mV(0 ~ 10V), 1.250mV(±10V)	1.0 μA (4 ~ 20 mA) 1.25 μA (0 ~ 20 mA)
		Accuracy		±0.2% or less (When ambient temperature is 25 °C) ±0.3% or less (When ambient temperature is 0 ~ 55 °C)	

XBC-DN(P)32U

(16 point input)

Terminal block no.

No.	Contact	No.	Contact
TB1	0	TB1	8
TB2	1	TB2	9
TB3	2	TB3	A
TB4	3	TB4	B
TB5	4	TB5	C
TB6	5	TB6	D
TB7	6	TB7	E
TB8	7	TB8	F
		TB9	COM
		TB10	COM

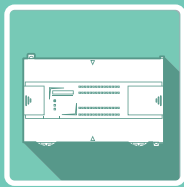
XBC-DN32U

Transistor output
(Sink type)

Terminal number

No.	Contact	Type
TB1	0	TB1
TB2	1	TB2
TB3	2	TB3
TB4	3	TB4
TB5	4	TB5
TB6	5	TB6
TB7	6	TB7
TB8	7	TB8
TB1	8	TB1
TB2	9	TB2
TB3	A	TB3
TB4	B	TB4
TB5	C	TB5
TB6	D	TB6
TB7	E	TB7
TB8	F	TB8
TB9	DC12/24V	TB9
TB10	COM	TB10

XGB U



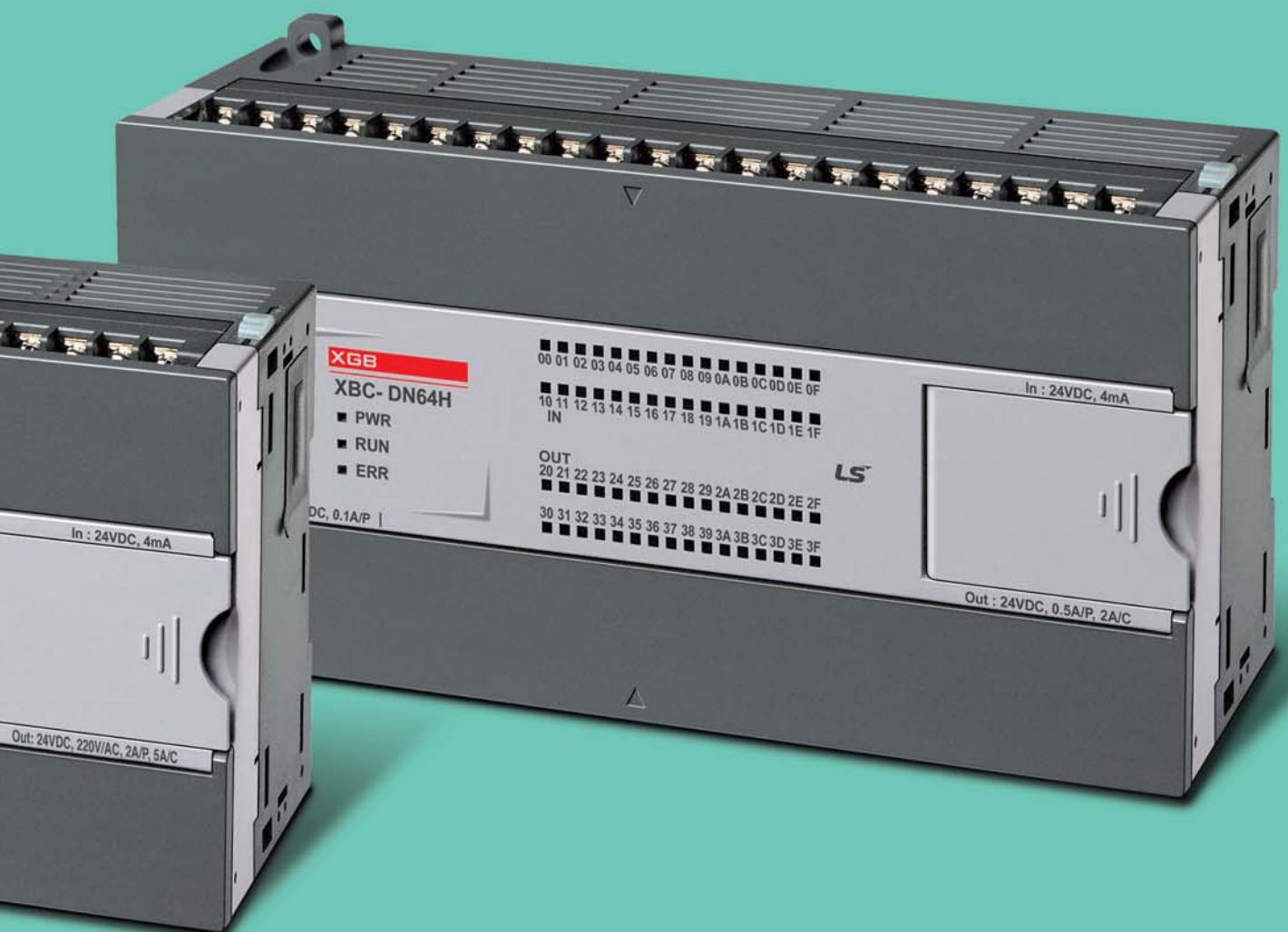
XBC/XEC H

High Performance

C o n t e n t s

Performance specifications 26
Wiring 27





High performance type

Performance specifications

Item	XBC/XEC-DR32H	XBC/XEC-DN32H	XBC/XEC-DR64H	XBC/XEC-DN64H
	XBC-DR32H/DC ^{*1)}	XEC-DP32H ^{*1)}	XBC-DR64H/DC ^{*1)}	XEC-DP64H ^{*1)}
	XEC-DR32H/DI	XBC-DN32H/DC	XEC-DR64H/DI	XBC-DN64H/DC
Control method	Repetitive, cyclic, interrupt, constant scan			
I/O control method	Refresh mode (Batch processing by scan synchronization), Direct mode by instruction			
Programming language	Ladder diagram or IEC standard (LD, SFC, ST) ^{*1)}			
Processing speed	83 ns / Step			
Program capacity	15Kstep (IEC type: 200KB)			
Main unit I/O points	32 (Input:16, Output:16)	32 (Input:16, Output:16)	64 (Input: 32, Output: 32)	64 (Input: 32, Output: 32)
Max. I/O points (Main + Expansion 10 stages)	352 points		384 points	
Total program	128			
Operation mode	RUN, STOP, DEBUG			
Self diagnosis	Detects errors of scan time, memory error, I/O error, battery error, power error, etc.			
Program port	USB (Rev 1.1), RS-232C 1 channel (Loader)			
Retain data at power failure	Latch area setting at basic parameter			
Built-in functions	RS-232C / RS-485 (2 ch), Pulse catch, Input filter, External interrupt, PID control, High-speed counter, Positioning, RTC			
Data memory				
XBC		XEC (IEC type)		
P	P0000 ~ P1023F (16,384 points)	Symbolic variable	A	32KB (Max. 16KB retain setting available)
M	M0000 ~ M1023F (16,384 points)	Input variable	I	2KB (%IX 15.15.63)
K	K0000 ~ K4095F (65,536 points)	Output variable	Q	2KB (%QX 15.15.63)
L	L0000 ~ L2047F (32,768 points)	Direct variable	M	16KB (Max. 8KB retain setting available)
F	F0000 ~ F1023F (16,384 points)		R	20KB (1 block)
T	100ms, 10ms, 1ms: T0000 ~ T1023 (1,024)(Adjustable by parameter setting)		W	20KB
C	C0000 ~ C1023 (1,024)	Flag variable	F	2KB
S	S00.00 ~ S127.99		K	8KB
D	D0000 ~ D10239 (10,240 word)		L	4KB
U	U00.00 ~ U0A.31 (Analog data refresh area: 352 word)		N	10KB
Z	Z000 ~ Z127 (128 word)		U	1KB
N	N000 ~ N5119 (5,120 word)	Flash area	R	20KB (2 blocks)

^{*1)} XEC is IEC standard language programming.

Wiring | XBC/XEC H input/output wiring

XBC/XEC-DN(R)32H XBC/XEC-DN/DR/DP32H Input wiring (sink/source type)

Circuit configuration	No.	Contact	No.	Contact	Type																																																			
<p>Terminal block no.</p>	TB2	485+	TB1	RX	<table border="1"> <tr><td>⊕</td><td>RX</td><td>TB1</td></tr> <tr><td>TB2</td><td>485+</td><td>TX</td><td>TB3</td></tr> <tr><td>TB4</td><td>485-</td><td>SG</td><td>TB5</td></tr> <tr><td>TB6</td><td>00</td><td>01</td><td>TB7</td></tr> <tr><td>TB8</td><td>02</td><td>03</td><td>TB9</td></tr> <tr><td>TB1</td><td>04</td><td>05</td><td>TB1</td></tr> <tr><td>TB1</td><td>06</td><td>07</td><td>TB1</td></tr> <tr><td>TB1</td><td>08</td><td>09</td><td>TB1</td></tr> <tr><td>TB1</td><td>0A</td><td>0B</td><td>TB1</td></tr> <tr><td>TB1</td><td>0C</td><td>0D</td><td>TB1</td></tr> <tr><td>TB2</td><td>0E</td><td>0F</td><td>TB2</td></tr> <tr><td>TB2</td><td>COM</td><td>24G</td><td>TB2</td></tr> <tr><td>TB3</td><td>24V</td><td>⊕</td><td></td></tr> </table>	⊕	RX	TB1	TB2	485+	TX	TB3	TB4	485-	SG	TB5	TB6	00	01	TB7	TB8	02	03	TB9	TB1	04	05	TB1	TB1	06	07	TB1	TB1	08	09	TB1	TB1	0A	0B	TB1	TB1	0C	0D	TB1	TB2	0E	0F	TB2	TB2	COM	24G	TB2	TB3	24V	⊕	
	⊕	RX	TB1																																																					
	TB2	485+	TX	TB3																																																				
	TB4	485-	SG	TB5																																																				
	TB6	00	01	TB7																																																				
	TB8	02	03	TB9																																																				
	TB1	04	05	TB1																																																				
	TB1	06	07	TB1																																																				
	TB1	08	09	TB1																																																				
	TB1	0A	0B	TB1																																																				
	TB1	0C	0D	TB1																																																				
	TB2	0E	0F	TB2																																																				
	TB2	COM	24G	TB2																																																				
TB3	24V	⊕																																																						
TB4	485-	TB3	TX																																																					
TB6	00	TB5	SG																																																					
TB8	02	TB7	01																																																					
TB10	04	TB9	03																																																					
TB12	06	TB11	05																																																					
TB14	08	TB13	07																																																					
TB16	0A	TB15	09																																																					
TB18	0C	TB17	0B																																																					
TB20	0E	TB19	0D																																																					
TB22	COM	TB21	0F																																																					
TB24	24V	TB23	24G																																																					

XBC/XEC-DR32H Relay output wiring type

Circuit configuration	No.	Contact	No.	Contact	Type																																																			
<p>Terminal block no.</p>	TB2	PE	TB1	Power	<table border="1"> <tr><td>⊕</td><td>AC100</td><td>TB1</td></tr> <tr><td>TB2</td><td>PE</td><td>-240V</td><td>TB3</td></tr> <tr><td>TB4</td><td>NC</td><td>20</td><td>TB5</td></tr> <tr><td>TB6</td><td>21</td><td>22</td><td>TB7</td></tr> <tr><td>TB8</td><td>23</td><td>COM0</td><td>TB9</td></tr> <tr><td>TB10</td><td>24</td><td>25</td><td>TB11</td></tr> <tr><td>TB12</td><td>26</td><td>27</td><td>TB13</td></tr> <tr><td>TB14</td><td>COM1</td><td>28</td><td>TB15</td></tr> <tr><td>TB16</td><td>29</td><td>2A</td><td>TB17</td></tr> <tr><td>TB18</td><td>28</td><td>COM2</td><td>TB19</td></tr> <tr><td>TB20</td><td>2C</td><td>2D</td><td>TB21</td></tr> <tr><td>TB22</td><td>2E</td><td>2F</td><td>TB23</td></tr> <tr><td>TB24</td><td>COM3</td><td>⊕</td><td></td></tr> </table>	⊕	AC100	TB1	TB2	PE	-240V	TB3	TB4	NC	20	TB5	TB6	21	22	TB7	TB8	23	COM0	TB9	TB10	24	25	TB11	TB12	26	27	TB13	TB14	COM1	28	TB15	TB16	29	2A	TB17	TB18	28	COM2	TB19	TB20	2C	2D	TB21	TB22	2E	2F	TB23	TB24	COM3	⊕	
	⊕	AC100	TB1																																																					
	TB2	PE	-240V			TB3																																																		
	TB4	NC	20			TB5																																																		
	TB6	21	22			TB7																																																		
	TB8	23	COM0			TB9																																																		
	TB10	24	25			TB11																																																		
	TB12	26	27			TB13																																																		
	TB14	COM1	28			TB15																																																		
	TB16	29	2A			TB17																																																		
	TB18	28	COM2			TB19																																																		
	TB20	2C	2D			TB21																																																		
	TB22	2E	2F			TB23																																																		
TB24	COM3	⊕																																																						
TB4	NC	TB3																																																						
TB6	21	TB5	20																																																					
TB8	23	TB7	22																																																					
TB10	24	TB9	COM0																																																					
TB12	26	TB11	25																																																					
TB14	COM1	TB13	27																																																					
TB16	29	TB15	28																																																					
TB18	28	TB17	2A																																																					
TB20	2C	TB19	COM2																																																					
TB22	2E	TB21	2D																																																					
TB24	COM3	TB23	2F																																																					

XBC/XEC-DN32H Transistor output wiring (sink type)

Circuit configuration	No.	Contact	No.	Contact	Type																																																			
<p>Terminal block no.</p>	TB2	PE	TB1	Power	<table border="1"> <tr><td>⊕</td><td>AC100</td><td>TB1</td></tr> <tr><td>TB2</td><td>PE</td><td>-240V</td><td>TB3</td></tr> <tr><td>TB4</td><td>DC12/24V</td><td>20</td><td>TB5</td></tr> <tr><td>TB6</td><td>21</td><td>22</td><td>TB7</td></tr> <tr><td>TB8</td><td>23</td><td>COM0</td><td>TB9</td></tr> <tr><td>TB10</td><td>24</td><td>25</td><td>TB11</td></tr> <tr><td>TB12</td><td>26</td><td>27</td><td>TB13</td></tr> <tr><td>TB14</td><td>COM1</td><td>28</td><td>TB15</td></tr> <tr><td>TB16</td><td>29</td><td>2A</td><td>TB17</td></tr> <tr><td>TB18</td><td>28</td><td>COM2</td><td>TB19</td></tr> <tr><td>TB20</td><td>2C</td><td>2D</td><td>TB21</td></tr> <tr><td>TB22</td><td>2E</td><td>2F</td><td>TB23</td></tr> <tr><td>TB24</td><td>COM3</td><td>⊕</td><td></td></tr> </table>	⊕	AC100	TB1	TB2	PE	-240V	TB3	TB4	DC12/24V	20	TB5	TB6	21	22	TB7	TB8	23	COM0	TB9	TB10	24	25	TB11	TB12	26	27	TB13	TB14	COM1	28	TB15	TB16	29	2A	TB17	TB18	28	COM2	TB19	TB20	2C	2D	TB21	TB22	2E	2F	TB23	TB24	COM3	⊕	
	⊕	AC100	TB1																																																					
	TB2	PE	-240V			TB3																																																		
	TB4	DC12/24V	20			TB5																																																		
	TB6	21	22			TB7																																																		
	TB8	23	COM0			TB9																																																		
	TB10	24	25			TB11																																																		
	TB12	26	27			TB13																																																		
	TB14	COM1	28			TB15																																																		
	TB16	29	2A			TB17																																																		
	TB18	28	COM2			TB19																																																		
	TB20	2C	2D			TB21																																																		
	TB22	2E	2F			TB23																																																		
TB24	COM3	⊕																																																						
TB4	DC12/24V	TB3																																																						
TB6	21	TB5	20																																																					
TB8	23	TB7	22																																																					
TB10	24	TB9	COM0																																																					
TB12	26	TB11	25																																																					
TB14	COM1	TB13	27																																																					
TB16	29	TB15	28																																																					
TB18	28	TB17	2A																																																					
TB20	2C	TB19	COM2																																																					
TB22	2E	TB21	2D																																																					
TB24	COM3	TB23	2F																																																					

* XBC input : P00~P1F, XEC input : I00~I31 * XBC output : P21~P3F, XEC output : Q00~Q31

XEC-DP32H

Transistor output wiring
(source type)

Circuit configuration		No.	Contact	No.	Contact	Type																																												
	TB05	TB1	Power	<table border="1"> <tr> <td>⊕</td> <td></td> <td>TB1</td> </tr> <tr> <td>PE</td> <td>AC100</td> <td>TB3</td> </tr> <tr> <td></td> <td>~240V</td> <td></td> </tr> <tr> <td>00</td> <td></td> <td>TB5</td> </tr> <tr> <td>02</td> <td></td> <td>TB7</td> </tr> <tr> <td>COM0</td> <td></td> <td>TB9</td> </tr> <tr> <td>05</td> <td></td> <td>TB11</td> </tr> <tr> <td>07</td> <td></td> <td>TB13</td> </tr> <tr> <td>08</td> <td></td> <td>TB15</td> </tr> <tr> <td>10</td> <td></td> <td>TB17</td> </tr> <tr> <td>COM2</td> <td></td> <td>TB19</td> </tr> <tr> <td>13</td> <td></td> <td>TB21</td> </tr> <tr> <td>15</td> <td></td> <td>TB23</td> </tr> <tr> <td>⊕</td> <td></td> <td></td> </tr> </table>	⊕		TB1	PE	AC100	TB3		~240V		00		TB5	02		TB7	COM0		TB9	05		TB11	07		TB13	08		TB15	10		TB17	COM2		TB19	13		TB21	15		TB23	⊕			TB2	PE	TB3	Power
	⊕		TB1																																															
	PE	AC100	TB3																																															
		~240V																																																
	00		TB5																																															
	02		TB7																																															
	COM0		TB9																																															
	05		TB11																																															
	07		TB13																																															
	08		TB15																																															
	10		TB17																																															
	COM2		TB19																																															
	13		TB21																																															
	15		TB23																																															
	⊕																																																	
	TB08	TB4	DC12/24V		TB5	20																																												
TB09	TB6	21	TB7	22																																														
TB10	TB8	23	TB9	COM0																																														
TB13	TB10	24	TB11	25																																														
TB14	TB12	26	TB13	27																																														
TB15	TB14	COM1	TB15	28																																														
TB18	TB16	29	TB17	2A																																														
TB19	TB18	28	TB19	COM2																																														
TB20	TB20	2C	TB21	2D																																														
TB23	TB22	2E	TB23	2F																																														
TB24	TB24	COM3																																																

XBC-DN(R)64H

XEC-DN/DR/DP64H

Input wiring
(sink/source type)

Circuit configuration		No.	Contact	No.	Contact	Type																																																																							
	TB21	TB1	RX	<table border="1"> <tr> <td>⊕</td> <td></td> <td>TB1</td> </tr> <tr> <td>485+</td> <td>RX</td> <td>TB3</td> </tr> <tr> <td>485-</td> <td>TX</td> <td></td> </tr> <tr> <td>00</td> <td>SG</td> <td>TB5</td> </tr> <tr> <td>01</td> <td></td> <td>TB7</td> </tr> <tr> <td>03</td> <td></td> <td>TB9</td> </tr> <tr> <td>04</td> <td></td> <td>TB11</td> </tr> <tr> <td>05</td> <td></td> <td>TB13</td> </tr> <tr> <td>07</td> <td></td> <td>TB15</td> </tr> <tr> <td>09</td> <td></td> <td>TB17</td> </tr> <tr> <td>0B</td> <td></td> <td>TB19</td> </tr> <tr> <td>0D</td> <td></td> <td>TB21</td> </tr> <tr> <td>0F</td> <td></td> <td>TB23</td> </tr> <tr> <td>MC</td> <td></td> <td>TB25</td> </tr> <tr> <td>11</td> <td></td> <td>TB27</td> </tr> <tr> <td>13</td> <td></td> <td>TB29</td> </tr> <tr> <td>15</td> <td></td> <td>TB31</td> </tr> <tr> <td>17</td> <td></td> <td>TB33</td> </tr> <tr> <td>19</td> <td></td> <td>TB35</td> </tr> <tr> <td>21</td> <td></td> <td>TB37</td> </tr> <tr> <td>23</td> <td></td> <td>TB39</td> </tr> <tr> <td>24G</td> <td></td> <td>TB41</td> </tr> <tr> <td>⊕</td> <td></td> <td></td> </tr> </table>	⊕		TB1	485+	RX	TB3	485-	TX		00	SG	TB5	01		TB7	03		TB9	04		TB11	05		TB13	07		TB15	09		TB17	0B		TB19	0D		TB21	0F		TB23	MC		TB25	11		TB27	13		TB29	15		TB31	17		TB33	19		TB35	21		TB37	23		TB39	24G		TB41	⊕			TB2	485+	TB3	TX
	⊕		TB1																																																																										
	485+	RX	TB3																																																																										
	485-	TX																																																																											
	00	SG	TB5																																																																										
	01		TB7																																																																										
	03		TB9																																																																										
	04		TB11																																																																										
	05		TB13																																																																										
	07		TB15																																																																										
	09		TB17																																																																										
	0B		TB19																																																																										
	0D		TB21																																																																										
	0F		TB23																																																																										
	MC		TB25																																																																										
	11		TB27																																																																										
	13		TB29																																																																										
	15		TB31																																																																										
	17		TB33																																																																										
	19		TB35																																																																										
	21		TB37																																																																										
	23		TB39																																																																										
	24G		TB41																																																																										
	⊕																																																																												
TB4	485-	TB5	SG																																																																										
TB6	00	TB7	01																																																																										
TB8	02	TB9	03																																																																										
TB10	04	TB11	05																																																																										
TB12	06	TB13	07																																																																										
TB14	08	TB15	09																																																																										
TB16	0A	TB17	0B																																																																										
TB18	0O	TB19	0D																																																																										
TB20	0E	TB21	0F																																																																										
TB22	COM0	TB23	MC																																																																										
TB24	10	TB25	11																																																																										
TB26	12	TB27	13																																																																										
TB28	14	TB29	15																																																																										
TB30	16	TB31	17																																																																										
TB32	18	TB33	19																																																																										
TB34	1A	TB35	1B																																																																										
TB36	1C	TB37	1D																																																																										
TB38	1E	TB39	1F																																																																										
TB40	COM1	TB41	24G																																																																										
TB42	24V																																																																												

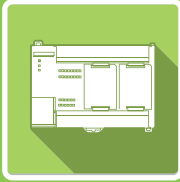
XBC-DR60H

XEC-DR64H

Relay output wiring

Circuit configuration		No.	Contact	No.	Contact	Type																																																																							
	TB5	TB1	Power	<table border="1"> <tr> <td>⊕</td> <td></td> <td>TB1</td> </tr> <tr> <td>PE</td> <td>AC100</td> <td>TB3</td> </tr> <tr> <td>NC</td> <td>~240V</td> <td></td> </tr> <tr> <td>00</td> <td></td> <td>TB5</td> </tr> <tr> <td>02</td> <td></td> <td>TB7</td> </tr> <tr> <td>COM0</td> <td></td> <td>TB9</td> </tr> <tr> <td>05</td> <td></td> <td>TB11</td> </tr> <tr> <td>07</td> <td></td> <td>TB13</td> </tr> <tr> <td>08</td> <td></td> <td>TB15</td> </tr> <tr> <td>10</td> <td></td> <td>TB17</td> </tr> <tr> <td>COM1</td> <td></td> <td>TB19</td> </tr> <tr> <td>11</td> <td></td> <td>TB21</td> </tr> <tr> <td>13</td> <td></td> <td>TB23</td> </tr> <tr> <td>COM2</td> <td></td> <td>TB25</td> </tr> <tr> <td>16</td> <td></td> <td>TB27</td> </tr> <tr> <td>18</td> <td></td> <td>TB29</td> </tr> <tr> <td>20</td> <td></td> <td>TB31</td> </tr> <tr> <td>22</td> <td></td> <td>TB33</td> </tr> <tr> <td>COM4</td> <td></td> <td>TB35</td> </tr> <tr> <td>25</td> <td></td> <td>TB37</td> </tr> <tr> <td>27</td> <td></td> <td>TB39</td> </tr> <tr> <td>30</td> <td></td> <td>TB41</td> </tr> <tr> <td>⊕</td> <td></td> <td></td> </tr> </table>	⊕		TB1	PE	AC100	TB3	NC	~240V		00		TB5	02		TB7	COM0		TB9	05		TB11	07		TB13	08		TB15	10		TB17	COM1		TB19	11		TB21	13		TB23	COM2		TB25	16		TB27	18		TB29	20		TB31	22		TB33	COM4		TB35	25		TB37	27		TB39	30		TB41	⊕			TB2	PE	TB3	Power
	⊕		TB1																																																																										
	PE	AC100	TB3																																																																										
	NC	~240V																																																																											
	00		TB5																																																																										
	02		TB7																																																																										
	COM0		TB9																																																																										
	05		TB11																																																																										
	07		TB13																																																																										
	08		TB15																																																																										
	10		TB17																																																																										
	COM1		TB19																																																																										
	11		TB21																																																																										
	13		TB23																																																																										
	COM2		TB25																																																																										
	16		TB27																																																																										
	18		TB29																																																																										
	20		TB31																																																																										
	22		TB33																																																																										
	COM4		TB35																																																																										
	25		TB37																																																																										
	27		TB39																																																																										
	30		TB41																																																																										
	⊕																																																																												
TB4	NC	TB5	20																																																																										
TB6	21	TB7	22																																																																										
TB8	23	TB9	COM0																																																																										
TB10	24	TB11	25																																																																										
TB12	26	TB13	27																																																																										
TB14	COM1	TB15	28																																																																										
TB16	29	TB17	2A																																																																										
TB18	2B	TB19	COM2																																																																										
TB20	2C	TB21	2D																																																																										
TB22	2E	TB23	2F																																																																										
TB24	COM2	TB25	30																																																																										
TB26	31	TB27	32																																																																										
TB28	33	TB29	34																																																																										
TB30	35	TB31	36																																																																										
TB32	37	TB33	COM4																																																																										
TB34	38	TB35	39																																																																										
TB36	3A	TB37	38																																																																										
TB38	3C	TB39	3D																																																																										
TB40	3E	TB41	3F																																																																										
TB42	COM5																																																																												

* XBC input : P00~P1F, XEC input : I00~I31 * XBC output : P21~P3F, XEC output : Q00~Q31



XBC/XEC SU

Standard

C o n t e n t s

Performance specifications32

Wiring33





Standard type

Performance specifications

Item	XBC/XEC-DN20SU	XBC/XEC-DN30SU	XBC/XEC-DN40SU	XBC/XEC-DN60SU		
	XBC/XEC-DR20SU	XBC/XEC-DR30SU	XBC/XEC-DR40SU	XBC/XEC-DR60SU		
	XBC/XEC-DP20SU	XBC/XEC-DP30SU	XBC/XEC-DP40SU	XBC/XEC-DP60SU		
Control method	Repetitive, cyclic, interrupt, constant scan					
I/O control method	Refresh mode (Batch processing by scan synchronization), Direct mode by instruction					
Programming language	Ladder diagram, Instruction List					
Processing speed	94 ns / Step					
Program capacity	15Kstep / 200KB					
Main unit I/O points	20 (Input:12, Output:8)	30 (Input:18, Output:12)	40 (Input:24, Output:16)	60 (Input:36, Output:24)		
Max. I/O points (Main + Expansion 7 stages)	244 points	254 points	264 points	284 points		
Total program	128					
Operation mode	RUN, STOP, DEBUG					
Self diagnosis	Detects errors of scan time, memory error, I/O error, battery error, power error, etc.					
Program port	RS-232C 1 channel (Loader), USB 1 channel (U-type model)					
Retain data at power failure	Latch area setting at basic parameter					
Built-in functions	RS-232C / RS-485(2 ch), Pulse catch, Input filter, External interrupt, PID control, High-speed counter, Positioning					
Data memory						
XBC			XEC			
Data area	P	P0000 ~ P1023F (16,384 points)	Symbolic variable	A	16KB (Max. 16KB retain setting available)	
	M	M0000 ~ M1023F (16,384 points)		Input variable	I	2KB (%IX 15.15.63)
	K	K0000 ~ K4095F (65,536 points)	Output variable		Q	2KB (%QX 15.15.63)
	L	L0000 ~ L2047F (32,768 points)		Direct variable	M	8KB (Max. retain setting available)
	F	F0000 ~ F1023F (16,384 points)	R		20KB (1 block)	
	T	100ms, 10ms, 1ms: T0000 ~ T1023 (1,024) (Adjustable by parameter setting)	W		20KB	
	C	C0000 ~ C1023 (1,024)	Flag variable		F	2KB
	S	S00.00 ~ S127.99		K	8KB	
	D	D0000 ~ D10239 (10,240 word)		L	4KB	
	U	U00.00 ~ U0A.31 (Analog data refresh area: 352 word)		U	1KB	
	Z	Z000 ~ Z127 (128 word)	Flash area		20KB (2 block)	
	R	R0000 ~ R10236 (10,240 word)				

*Some products are due in market soon.

Wiring | XBC/XEC SU input/output wiring

XBC/XEC-DR20SU
XBC/XEC-DN20SU
XBC/XEC-DP20SU
Input wiring
(sink/source type)

Circuit configuration		No.	Contact	No.	Contact	Type																																							
		TB2	485+	TB1	RX	<table border="1"> <tr><td>⊕</td><td>RX</td><td>TB1</td></tr> <tr><td>485+</td><td>TX</td><td>TB3</td></tr> <tr><td>485-</td><td>SG</td><td>TB5</td></tr> <tr><td>00</td><td>01</td><td>TB7</td></tr> <tr><td>02</td><td>03</td><td>TB9</td></tr> <tr><td>04</td><td>05</td><td>TB11</td></tr> <tr><td>06</td><td>07</td><td>TB13</td></tr> <tr><td>08</td><td>09</td><td>TB15</td></tr> <tr><td>0A</td><td>0B</td><td>TB17</td></tr> <tr><td>NC</td><td>NC</td><td>TB19</td></tr> <tr><td>NC</td><td>NC</td><td>TB21</td></tr> <tr><td>NC</td><td>NC</td><td>TB23</td></tr> <tr><td>COM</td><td>⊕</td><td></td></tr> </table>	⊕	RX	TB1	485+	TX	TB3	485-	SG	TB5	00	01	TB7	02	03	TB9	04	05	TB11	06	07	TB13	08	09	TB15	0A	0B	TB17	NC	NC	TB19	NC	NC	TB21	NC	NC	TB23	COM	⊕	
		⊕	RX	TB1																																									
		485+	TX	TB3																																									
		485-	SG	TB5																																									
		00	01	TB7																																									
		02	03	TB9																																									
		04	05	TB11																																									
		06	07	TB13																																									
		08	09	TB15																																									
		0A	0B	TB17																																									
		NC	NC	TB19																																									
		NC	NC	TB21																																									
		NC	NC	TB23																																									
		COM	⊕																																										
TB4	485-	TB3	TX																																										
TB6	00	TB5	SG																																										
TB8	02	TB7	01																																										
TB10	04	TB9	03																																										
TB12	06	TB11	05																																										
TB14	08	TB13	07																																										
TB16	0A	TB15	09																																										
TB18	NC	TB17	0B																																										
TB20	NC	TB19	NC																																										
TB22	NC	TB21	NC																																										
TB24	COM	TB23	NC																																										

XBC/XEC-DR20SU
Relay output wiring

Circuit configuration		No.	Contact	No.	Contact	Type																																							
		TB2	PE	TB1	AC100	<table border="1"> <tr><td>⊕</td><td>AC100</td><td>TB1</td></tr> <tr><td>PE</td><td>-240V</td><td>TB3</td></tr> <tr><td>COM0</td><td>40</td><td>TB5</td></tr> <tr><td>COM1</td><td>41</td><td>TB7</td></tr> <tr><td>COM2</td><td>42</td><td>TB9</td></tr> <tr><td>43</td><td>NC</td><td>TB11</td></tr> <tr><td>COM3</td><td>44</td><td>TB13</td></tr> <tr><td>45</td><td>46</td><td>TB15</td></tr> <tr><td>47</td><td>NC</td><td>TB17</td></tr> <tr><td>NC</td><td>NC</td><td>TB19</td></tr> <tr><td>NC</td><td>NC</td><td>TB21</td></tr> <tr><td>NC</td><td>24V</td><td>TB23</td></tr> <tr><td>24G</td><td>⊕</td><td></td></tr> </table>	⊕	AC100	TB1	PE	-240V	TB3	COM0	40	TB5	COM1	41	TB7	COM2	42	TB9	43	NC	TB11	COM3	44	TB13	45	46	TB15	47	NC	TB17	NC	NC	TB19	NC	NC	TB21	NC	24V	TB23	24G	⊕	
		⊕	AC100	TB1																																									
		PE	-240V	TB3																																									
		COM0	40	TB5																																									
		COM1	41	TB7																																									
		COM2	42	TB9																																									
		43	NC	TB11																																									
		COM3	44	TB13																																									
		45	46	TB15																																									
		47	NC	TB17																																									
		NC	NC	TB19																																									
		NC	NC	TB21																																									
		NC	24V	TB23																																									
		24G	⊕																																										
TB4	COM0	TB3	-240V																																										
TB6	COM1	TB5	40																																										
TB8	COM2	TB7	41																																										
TB10	43	TB9	42																																										
TB12	COM3	TB11	NC																																										
TB14	45	TB13	44																																										
TB16	47	TB15	46																																										
TB18	NC	TB17	NC																																										
TB20	NC	TB19	NC																																										
TB22	NC	TB21	NC																																										
TB24	24G	TB23	24V																																										

XBC/XEC-DN20SU
Transistor output wiring
(sink type)

Circuit configuration		No.	Contact	No.	Contact	Type																																							
		TB2	PE	TB1	AC100	<table border="1"> <tr><td>⊕</td><td>AC100</td><td>TB1</td></tr> <tr><td>PE</td><td>-240V</td><td>TB3</td></tr> <tr><td>COM0</td><td>40</td><td>TB5</td></tr> <tr><td>COM1</td><td>41</td><td>TB7</td></tr> <tr><td>COM2</td><td>42</td><td>TB9</td></tr> <tr><td>43</td><td>P</td><td>TB11</td></tr> <tr><td>COM3</td><td>44</td><td>TB13</td></tr> <tr><td>45</td><td>46</td><td>TB15</td></tr> <tr><td>47</td><td>NC</td><td>TB17</td></tr> <tr><td>NC</td><td>NC</td><td>TB19</td></tr> <tr><td>NC</td><td>NC</td><td>TB21</td></tr> <tr><td>NC</td><td>24V</td><td>TB23</td></tr> <tr><td>24G</td><td>⊕</td><td></td></tr> </table>	⊕	AC100	TB1	PE	-240V	TB3	COM0	40	TB5	COM1	41	TB7	COM2	42	TB9	43	P	TB11	COM3	44	TB13	45	46	TB15	47	NC	TB17	NC	NC	TB19	NC	NC	TB21	NC	24V	TB23	24G	⊕	
		⊕	AC100	TB1																																									
		PE	-240V	TB3																																									
		COM0	40	TB5																																									
		COM1	41	TB7																																									
		COM2	42	TB9																																									
		43	P	TB11																																									
		COM3	44	TB13																																									
		45	46	TB15																																									
		47	NC	TB17																																									
		NC	NC	TB19																																									
		NC	NC	TB21																																									
		NC	24V	TB23																																									
		24G	⊕																																										
TB4	COM0	TB3	-240V																																										
TB6	COM1	TB5	40																																										
TB8	COM2	TB7	41																																										
TB10	43	TB9	42																																										
TB12	COM3	TB11	P																																										
TB14	45	TB13	44																																										
TB16	47	TB15	46																																										
TB18	NC	TB17	NC																																										
TB20	NC	TB19	NC																																										
TB22	NC	TB21	NC																																										
TB24	24G	TB23	24V																																										

* XBC input : P00~P23, XEC input : I00~I35 * XBC output : P40~P57, XEC output : Q00~Q23

XBC/XEC-DP32H

Transistor output wiring
(source type)

Circuit configuration		No.	Contact	No.	Contact	Type																																									
	TB2	PE	TB1	AC100	<table border="1"> <tr> <td>⊕</td> <td></td> <td>TB1</td> </tr> <tr> <td>PE</td> <td>AC100 -240V</td> <td>TB3</td> </tr> <tr> <td>COM0</td> <td>00</td> <td>TB5</td> </tr> <tr> <td>COM1</td> <td>01</td> <td>TB7</td> </tr> <tr> <td>COM2</td> <td>02</td> <td>TB9</td> </tr> <tr> <td>03</td> <td>N</td> <td>TB11</td> </tr> <tr> <td>COM3</td> <td>04</td> <td>TB13</td> </tr> <tr> <td>05</td> <td>06</td> <td>TB15</td> </tr> <tr> <td>07</td> <td>NC</td> <td>TB17</td> </tr> <tr> <td>NC</td> <td>NC</td> <td>TB19</td> </tr> <tr> <td>NC</td> <td>NC</td> <td>TB21</td> </tr> <tr> <td>NC</td> <td>24V</td> <td>TB23</td> </tr> <tr> <td>24G</td> <td></td> <td></td> </tr> <tr> <td>⊕</td> <td></td> <td></td> </tr> </table>	⊕		TB1	PE	AC100 -240V	TB3	COM0	00	TB5	COM1	01	TB7	COM2	02	TB9	03	N	TB11	COM3	04	TB13	05	06	TB15	07	NC	TB17	NC	NC	TB19	NC	NC	TB21	NC	24V	TB23	24G			⊕		
	⊕		TB1																																												
	PE	AC100 -240V	TB3																																												
	COM0	00	TB5																																												
	COM1	01	TB7																																												
	COM2	02	TB9																																												
	03	N	TB11																																												
	COM3	04	TB13																																												
	05	06	TB15																																												
	07	NC	TB17																																												
	NC	NC	TB19																																												
	NC	NC	TB21																																												
	NC	24V	TB23																																												
	24G																																														
⊕																																															
TB4	COM0	TB3	-240V																																												
TB6	COM1	TB5	Q00																																												
TB8	COM2	TB7	Q01																																												
TB10	Q03	TB9	Q02																																												
TB12	COM3	TB11	N																																												
TB14	Q05	TB13	Q04																																												
TB16	Q07	TB15	Q06																																												
TB18	NC	TB17	NC																																												
TB20	NC	TB19	NC																																												
TB22	NC	TB21	NC																																												
TB24	24G	TB23	24V																																												

XBC/XEC-DR30SU

XBC/XEC-DN30SU

XBC/XEC-DP30SU

Input wiring
(sink/source type)

Circuit configuration		No.	Contact	No.	Contact	Type																																									
	TB2	485+	TB1	RX	<table border="1"> <tr> <td>⊕</td> <td></td> <td>TB1</td> </tr> <tr> <td>485+</td> <td>RX</td> <td>TB3</td> </tr> <tr> <td>485-</td> <td>TX</td> <td>TB5</td> </tr> <tr> <td>00</td> <td>SG</td> <td>TB7</td> </tr> <tr> <td>02</td> <td>01</td> <td>TB9</td> </tr> <tr> <td>04</td> <td>03</td> <td>TB11</td> </tr> <tr> <td>06</td> <td>05</td> <td>TB13</td> </tr> <tr> <td>08</td> <td>07</td> <td>TB15</td> </tr> <tr> <td>0A</td> <td>09</td> <td>TB17</td> </tr> <tr> <td>0C</td> <td>0B</td> <td>TB19</td> </tr> <tr> <td>0E</td> <td>0D</td> <td>TB21</td> </tr> <tr> <td>10</td> <td>0F</td> <td>TB23</td> </tr> <tr> <td>COM</td> <td>11</td> <td></td> </tr> <tr> <td>⊕</td> <td></td> <td></td> </tr> </table>	⊕		TB1	485+	RX	TB3	485-	TX	TB5	00	SG	TB7	02	01	TB9	04	03	TB11	06	05	TB13	08	07	TB15	0A	09	TB17	0C	0B	TB19	0E	0D	TB21	10	0F	TB23	COM	11		⊕		
	⊕		TB1																																												
	485+	RX	TB3																																												
	485-	TX	TB5																																												
	00	SG	TB7																																												
	02	01	TB9																																												
	04	03	TB11																																												
	06	05	TB13																																												
	08	07	TB15																																												
	0A	09	TB17																																												
	0C	0B	TB19																																												
	0E	0D	TB21																																												
	10	0F	TB23																																												
	COM	11																																													
⊕																																															
TB4	485-	TB3	TX																																												
TB6	00	TB5	SG																																												
TB8	02	TB7	01																																												
TB10	04	TB9	03																																												
TB12	06	TB11	05																																												
TB14	08	TB13	07																																												
TB16	0A	TB15	09																																												
TB18	0C	TB17	0B																																												
TB20	0E	TB19	0D																																												
TB22	10	TB21	0F																																												
TB24	COM	TB23	11																																												

XBC/XEC-DR30SU

Relay output wiring

Circuit configuration		No.	Contact	No.	Contact	Type																																									
	TB2	PE	TB1	AC100	<table border="1"> <tr> <td>⊕</td> <td></td> <td>TB1</td> </tr> <tr> <td>PE</td> <td>AC100 -240V</td> <td>TB3</td> </tr> <tr> <td>COM0</td> <td>40</td> <td>TB5</td> </tr> <tr> <td>COM1</td> <td>41</td> <td>TB7</td> </tr> <tr> <td>COM2</td> <td>42</td> <td>TB9</td> </tr> <tr> <td>43</td> <td>NC</td> <td>TB11</td> </tr> <tr> <td>COM3</td> <td>44</td> <td>TB13</td> </tr> <tr> <td>45</td> <td>46</td> <td>TB15</td> </tr> <tr> <td>47</td> <td>NC</td> <td>TB17</td> </tr> <tr> <td>COM4</td> <td>48</td> <td>TB19</td> </tr> <tr> <td>49</td> <td>4A</td> <td>TB21</td> </tr> <tr> <td>4B</td> <td>24V</td> <td>TB23</td> </tr> <tr> <td>24G</td> <td></td> <td></td> </tr> <tr> <td>⊕</td> <td></td> <td></td> </tr> </table>	⊕		TB1	PE	AC100 -240V	TB3	COM0	40	TB5	COM1	41	TB7	COM2	42	TB9	43	NC	TB11	COM3	44	TB13	45	46	TB15	47	NC	TB17	COM4	48	TB19	49	4A	TB21	4B	24V	TB23	24G			⊕		
	⊕		TB1																																												
	PE	AC100 -240V	TB3																																												
	COM0	40	TB5																																												
	COM1	41	TB7																																												
	COM2	42	TB9																																												
	43	NC	TB11																																												
	COM3	44	TB13																																												
	45	46	TB15																																												
	47	NC	TB17																																												
	COM4	48	TB19																																												
	49	4A	TB21																																												
	4B	24V	TB23																																												
	24G																																														
⊕																																															
TB4	COM0	TB3	-240V																																												
TB6	COM1	TB5	40																																												
TB8	COM2	TB7	41																																												
TB10	43	TB9	42																																												
TB12	COM3	TB11	NC																																												
TB14	45	TB13	44																																												
TB16	47	TB15	46																																												
TB18	COM4	TB17	NC																																												
TB20	49	TB19	48																																												
TB22	4B	TB21	4A																																												
TB24	24G	TB23	24V																																												

* XBC input : P00~P23, XEC input : I00~I35 * XBC output : P40~P57, XEC output : Q00~Q23

XBC/XEC-DN30SU

Transistor output wiring
(sink type)

Circuit configuration		No.	Contact	No.	Contact	Type																																																			
	TB2	PE	TB1	AC100	<table border="1"> <tr><td>TB2</td><td>PE</td><td>AC100</td><td>TB1</td></tr> <tr><td>TB3</td><td>-240V</td><td>AC100</td><td>TB3</td></tr> <tr><td>TB4</td><td>COM0</td><td>40</td><td>TB5</td></tr> <tr><td>TB6</td><td>COM1</td><td>41</td><td>TB7</td></tr> <tr><td>TB8</td><td>COM2</td><td>42</td><td>TB9</td></tr> <tr><td>TB10</td><td>43</td><td>P</td><td>TB11</td></tr> <tr><td>TB12</td><td>COM3</td><td>44</td><td>TB13</td></tr> <tr><td>TB14</td><td>45</td><td>46</td><td>TB15</td></tr> <tr><td>TB16</td><td>47</td><td>NC</td><td>TB17</td></tr> <tr><td>TB18</td><td>COM4</td><td>48</td><td>TB19</td></tr> <tr><td>TB20</td><td>49</td><td>4A</td><td>TB21</td></tr> <tr><td>TB22</td><td>4B</td><td>24V</td><td>TB23</td></tr> <tr><td>TB24</td><td>24G</td><td>24V</td><td>TB23</td></tr> </table>	TB2	PE	AC100	TB1	TB3	-240V	AC100	TB3	TB4	COM0	40	TB5	TB6	COM1	41	TB7	TB8	COM2	42	TB9	TB10	43	P	TB11	TB12	COM3	44	TB13	TB14	45	46	TB15	TB16	47	NC	TB17	TB18	COM4	48	TB19	TB20	49	4A	TB21	TB22	4B	24V	TB23	TB24	24G	24V	TB23
	TB2	PE	AC100	TB1																																																					
	TB3	-240V	AC100	TB3																																																					
	TB4	COM0	40	TB5																																																					
	TB6	COM1	41	TB7																																																					
	TB8	COM2	42	TB9																																																					
	TB10	43	P	TB11																																																					
	TB12	COM3	44	TB13																																																					
	TB14	45	46	TB15																																																					
	TB16	47	NC	TB17																																																					
	TB18	COM4	48	TB19																																																					
	TB20	49	4A	TB21																																																					
	TB22	4B	24V	TB23																																																					
	TB24	24G	24V	TB23																																																					
	TB4	COM0	TB3	-240V																																																					
	TB6	COM1	TB5	40																																																					
TB8	COM2	TB7	41																																																						
TB10	43	TB9	42																																																						
TB12	COM3	TB11	P																																																						
TB14	45	TB13	44																																																						
TB16	47	TB15	46																																																						
TB18	COM4	TB17	NC																																																						
TB20	49	TB19	48																																																						
TB22	4B	TB21	4A																																																						
TB24	24G	TB23	24V																																																						

XBC/XEC-DP30SU

Transistor output wiring
(source type)

Circuit configuration		No.	Contact	No.	Contact	Type																																																			
	TB2	PE	TB1	AC100	<table border="1"> <tr><td>TB2</td><td>PE</td><td>AC100</td><td>TB1</td></tr> <tr><td>TB3</td><td>-240V</td><td>AC100</td><td>TB3</td></tr> <tr><td>TB4</td><td>COM0</td><td>00</td><td>TB5</td></tr> <tr><td>TB6</td><td>COM1</td><td>01</td><td>TB7</td></tr> <tr><td>TB8</td><td>COM2</td><td>02</td><td>TB9</td></tr> <tr><td>TB10</td><td>03</td><td>N</td><td>TB11</td></tr> <tr><td>TB12</td><td>COM3</td><td>04</td><td>TB13</td></tr> <tr><td>TB14</td><td>05</td><td>06</td><td>TB15</td></tr> <tr><td>TB16</td><td>07</td><td>NC</td><td>TB17</td></tr> <tr><td>TB18</td><td>COM4</td><td>08</td><td>TB19</td></tr> <tr><td>TB20</td><td>09</td><td>10</td><td>TB21</td></tr> <tr><td>TB22</td><td>11</td><td>24V</td><td>TB23</td></tr> <tr><td>TB24</td><td>24G</td><td>24V</td><td>TB23</td></tr> </table>	TB2	PE	AC100	TB1	TB3	-240V	AC100	TB3	TB4	COM0	00	TB5	TB6	COM1	01	TB7	TB8	COM2	02	TB9	TB10	03	N	TB11	TB12	COM3	04	TB13	TB14	05	06	TB15	TB16	07	NC	TB17	TB18	COM4	08	TB19	TB20	09	10	TB21	TB22	11	24V	TB23	TB24	24G	24V	TB23
	TB2	PE	AC100	TB1																																																					
	TB3	-240V	AC100	TB3																																																					
	TB4	COM0	00	TB5																																																					
	TB6	COM1	01	TB7																																																					
	TB8	COM2	02	TB9																																																					
	TB10	03	N	TB11																																																					
	TB12	COM3	04	TB13																																																					
	TB14	05	06	TB15																																																					
	TB16	07	NC	TB17																																																					
	TB18	COM4	08	TB19																																																					
	TB20	09	10	TB21																																																					
	TB22	11	24V	TB23																																																					
	TB24	24G	24V	TB23																																																					
	TB4	COM0	TB3	-240V																																																					
	TB6	COM1	TB5	Q00																																																					
TB8	COM2	TB7	Q01																																																						
TB10	Q03	TB9	Q02																																																						
TB12	COM3	TB11	N																																																						
TB14	Q05	TB13	Q04																																																						
TB16	Q07	TB15	Q06																																																						
TB18	COM4	TB17	NC																																																						
TB20	Q09	TB19	Q08																																																						
TB22	Q11	TB21	Q10																																																						
TB24	24G	TB23	24V																																																						

XBC/XEC-DR40SU

XBC/XEC-DN40SU

XBC/XEC-DP40SU

DC24 Input wiring
(sink/source type)

Circuit configuration		No.	Contact	No.	Contact	Type																																																															
	TB2	485+	TB1	RX	<table border="1"> <tr><td>TB2</td><td>485+</td><td>RX</td><td>TB1</td></tr> <tr><td>TB3</td><td>TX</td><td>TX</td><td>TB3</td></tr> <tr><td>TB4</td><td>485-</td><td>SG</td><td>TB5</td></tr> <tr><td>TB6</td><td>00</td><td>01</td><td>TB7</td></tr> <tr><td>TB8</td><td>02</td><td>03</td><td>TB9</td></tr> <tr><td>TB10</td><td>04</td><td>05</td><td>TB11</td></tr> <tr><td>TB12</td><td>06</td><td>07</td><td>TB13</td></tr> <tr><td>TB14</td><td>08</td><td>09</td><td>TB15</td></tr> <tr><td>TB16</td><td>0A</td><td>0B</td><td>TB17</td></tr> <tr><td>TB18</td><td>0C</td><td>0D</td><td>TB19</td></tr> <tr><td>TB20</td><td>0E</td><td>0F</td><td>TB21</td></tr> <tr><td>TB22</td><td>10</td><td>11</td><td>TB23</td></tr> <tr><td>TB24</td><td>12</td><td>13</td><td>TB25</td></tr> <tr><td>TB26</td><td>14</td><td>15</td><td>TB27</td></tr> <tr><td>TB28</td><td>16</td><td>17</td><td>TB29</td></tr> <tr><td>TB30</td><td>COM</td><td></td><td></td></tr> </table>	TB2	485+	RX	TB1	TB3	TX	TX	TB3	TB4	485-	SG	TB5	TB6	00	01	TB7	TB8	02	03	TB9	TB10	04	05	TB11	TB12	06	07	TB13	TB14	08	09	TB15	TB16	0A	0B	TB17	TB18	0C	0D	TB19	TB20	0E	0F	TB21	TB22	10	11	TB23	TB24	12	13	TB25	TB26	14	15	TB27	TB28	16	17	TB29	TB30	COM		
	TB2	485+	RX	TB1																																																																	
	TB3	TX	TX	TB3																																																																	
	TB4	485-	SG	TB5																																																																	
	TB6	00	01	TB7																																																																	
	TB8	02	03	TB9																																																																	
	TB10	04	05	TB11																																																																	
	TB12	06	07	TB13																																																																	
	TB14	08	09	TB15																																																																	
	TB16	0A	0B	TB17																																																																	
	TB18	0C	0D	TB19																																																																	
	TB20	0E	0F	TB21																																																																	
	TB22	10	11	TB23																																																																	
	TB24	12	13	TB25																																																																	
	TB26	14	15	TB27																																																																	
	TB28	16	17	TB29																																																																	
TB30	COM																																																																				
TB4	485-	TB3	TX																																																																		
TB6	00	TB5	SG																																																																		
TB8	02	TB7	01																																																																		
TB10	04	TB9	03																																																																		
TB12	06	TB11	05																																																																		
TB14	08	TB13	07																																																																		
TB16	0A	TB15	09																																																																		
TB18	0C	TB17	0B																																																																		
TB20	0E	TB19	0D																																																																		
TB22	10	TB21	0F																																																																		
TB24	12	TB23	11																																																																		
TB26	14	TB25	13																																																																		
TB28	16	TB27	15																																																																		
TB30	COM	TB29	17																																																																		

* XBC input : P00~P23, XEC input : I00~I35 * XBC output : P40~P57, XEC output : Q00~Q23

XBC/XEC-DR40SU Relay output wiring

Circuit configuration		No.	Contact	No.	Contact	Type																																							
	TB2	PE	TB1	AC100	<table border="1"> <tr> <td rowspan="5">TB2</td> <td>PE</td> <td rowspan="5">AC100 -240V</td> <td>TB1</td> </tr> <tr> <td>COM0</td> <td>TB3</td> </tr> <tr> <td>COM1</td> <td>TB5</td> </tr> <tr> <td>COM2</td> <td>TB7</td> </tr> <tr> <td>COM3</td> <td>TB9</td> </tr> <tr> <td rowspan="5">TB10</td> <td>43</td> <td rowspan="5">NC</td> <td>TB11</td> </tr> <tr> <td>COM3</td> <td>TB13</td> </tr> <tr> <td>45</td> <td>TB15</td> </tr> <tr> <td>47</td> <td>TB17</td> </tr> <tr> <td>COM4</td> <td>TB19</td> </tr> <tr> <td rowspan="5">TB18</td> <td>49</td> <td rowspan="5">4A</td> <td>TB21</td> </tr> <tr> <td>4B</td> <td>TB23</td> </tr> <tr> <td>COM5</td> <td>TB25</td> </tr> <tr> <td>4D</td> <td>TB27</td> </tr> <tr> <td>4F</td> <td>TB29</td> </tr> <tr> <td>TB30</td> <td>24G</td> <td>TB29</td> <td>24V</td> </tr> </table>	TB2	PE	AC100 -240V	TB1	COM0	TB3	COM1	TB5	COM2	TB7	COM3	TB9	TB10	43	NC	TB11	COM3	TB13	45	TB15	47	TB17	COM4	TB19	TB18	49	4A	TB21	4B	TB23	COM5	TB25	4D	TB27	4F	TB29	TB30	24G	TB29	24V
	TB2	PE	AC100 -240V	TB1																																									
		COM0		TB3																																									
		COM1		TB5																																									
		COM2		TB7																																									
		COM3		TB9																																									
	TB10	43	NC	TB11																																									
		COM3		TB13																																									
		45		TB15																																									
		47		TB17																																									
		COM4		TB19																																									
	TB18	49	4A	TB21																																									
		4B		TB23																																									
		COM5		TB25																																									
		4D		TB27																																									
4F		TB29																																											
TB30	24G	TB29	24V																																										
TB4	COM0	TB3	-240V																																										
TB6	COM1	TB5	40																																										
TB8	COM2	TB7	41																																										
TB10	43	TB9	42																																										
TB12	COM3	TB11	NC																																										
TB14	45	TB13	44																																										
TB16	47	TB15	46																																										
TB18	COM4	TB17	NC																																										
TB20	49	TB19	48																																										
TB22	4B	TB21	4A																																										
TB24	COM5	TB23	NC																																										
TB26	4D	TB25	4C																																										
TB28	4F	TB27	4E																																										
TB30	24G	TB29	24V																																										

XBC/XEC-DN40SU Transistor output wiring (sink type)

Circuit configuration		No.	Contact	No.	Contact	Type																																							
	TB2	PE	TB1	AC100	<table border="1"> <tr> <td rowspan="5">TB2</td> <td>PE</td> <td rowspan="5">AC100 -240V</td> <td>TB1</td> </tr> <tr> <td>COM0</td> <td>TB3</td> </tr> <tr> <td>COM1</td> <td>TB5</td> </tr> <tr> <td>COM2</td> <td>TB7</td> </tr> <tr> <td>COM3</td> <td>TB9</td> </tr> <tr> <td rowspan="5">TB10</td> <td>43</td> <td rowspan="5">P</td> <td>TB11</td> </tr> <tr> <td>COM3</td> <td>TB13</td> </tr> <tr> <td>45</td> <td>TB15</td> </tr> <tr> <td>47</td> <td>TB17</td> </tr> <tr> <td>COM4</td> <td>TB19</td> </tr> <tr> <td rowspan="5">TB18</td> <td>49</td> <td rowspan="5">4A</td> <td>TB21</td> </tr> <tr> <td>4B</td> <td>TB23</td> </tr> <tr> <td>COM5</td> <td>TB25</td> </tr> <tr> <td>4D</td> <td>TB27</td> </tr> <tr> <td>4F</td> <td>TB29</td> </tr> <tr> <td>TB30</td> <td>24G</td> <td>TB29</td> <td>24V</td> </tr> </table>	TB2	PE	AC100 -240V	TB1	COM0	TB3	COM1	TB5	COM2	TB7	COM3	TB9	TB10	43	P	TB11	COM3	TB13	45	TB15	47	TB17	COM4	TB19	TB18	49	4A	TB21	4B	TB23	COM5	TB25	4D	TB27	4F	TB29	TB30	24G	TB29	24V
	TB2	PE	AC100 -240V	TB1																																									
		COM0		TB3																																									
		COM1		TB5																																									
		COM2		TB7																																									
		COM3		TB9																																									
	TB10	43	P	TB11																																									
		COM3		TB13																																									
		45		TB15																																									
		47		TB17																																									
		COM4		TB19																																									
	TB18	49	4A	TB21																																									
		4B		TB23																																									
		COM5		TB25																																									
		4D		TB27																																									
4F		TB29																																											
TB30	24G	TB29	24V																																										
TB4	COM0	TB3	-240V																																										
TB6	COM1	TB5	40																																										
TB8	COM2	TB7	41																																										
TB10	43	TB9	42																																										
TB12	COM3	TB11	P																																										
TB14	45	TB13	44																																										
TB16	47	TB15	46																																										
TB18	COM4	TB17	NC																																										
TB20	49	TB19	48																																										
TB22	4B	TB21	4A																																										
TB24	COM5	TB23	NC																																										
TB26	4D	TB25	4C																																										
TB28	4F	TB27	4E																																										
TB30	24G	TB29	24V																																										

XBC/XEC-DP40SU Transistor output wiring (source type)

Circuit configuration		No.	Contact	No.	Contact	Type																																							
	TB2	PE	TB1	AC100	<table border="1"> <tr> <td rowspan="5">TB2</td> <td>PE</td> <td rowspan="5">AC100 -240V</td> <td>TB1</td> </tr> <tr> <td>COM0</td> <td>TB3</td> </tr> <tr> <td>COM1</td> <td>TB5</td> </tr> <tr> <td>COM2</td> <td>TB7</td> </tr> <tr> <td>COM3</td> <td>TB9</td> </tr> <tr> <td rowspan="5">TB10</td> <td>03</td> <td rowspan="5">N</td> <td>TB11</td> </tr> <tr> <td>COM3</td> <td>TB13</td> </tr> <tr> <td>05</td> <td>TB15</td> </tr> <tr> <td>07</td> <td>TB17</td> </tr> <tr> <td>COM4</td> <td>TB19</td> </tr> <tr> <td rowspan="5">TB18</td> <td>09</td> <td rowspan="5">10</td> <td>TB21</td> </tr> <tr> <td>11</td> <td>TB23</td> </tr> <tr> <td>COM5</td> <td>TB25</td> </tr> <tr> <td>13</td> <td>TB27</td> </tr> <tr> <td>15</td> <td>TB29</td> </tr> <tr> <td>TB30</td> <td>24G</td> <td>TB29</td> <td>24V</td> </tr> </table>	TB2	PE	AC100 -240V	TB1	COM0	TB3	COM1	TB5	COM2	TB7	COM3	TB9	TB10	03	N	TB11	COM3	TB13	05	TB15	07	TB17	COM4	TB19	TB18	09	10	TB21	11	TB23	COM5	TB25	13	TB27	15	TB29	TB30	24G	TB29	24V
	TB2	PE	AC100 -240V	TB1																																									
		COM0		TB3																																									
		COM1		TB5																																									
		COM2		TB7																																									
		COM3		TB9																																									
	TB10	03	N	TB11																																									
		COM3		TB13																																									
		05		TB15																																									
		07		TB17																																									
		COM4		TB19																																									
	TB18	09	10	TB21																																									
		11		TB23																																									
		COM5		TB25																																									
		13		TB27																																									
15		TB29																																											
TB30	24G	TB29	24V																																										
TB4	COM0	TB3	-240V																																										
TB6	COM1	TB5	00																																										
TB8	COM2	TB7	01																																										
TB10	03	TB9	02																																										
TB12	COM3	TB11	N																																										
TB14	05	TB13	04																																										
TB16	07	TB15	06																																										
TB18	COM4	TB17	NC																																										
TB20	09	TB19	08																																										
TB22	11	TB21	10																																										
TB24	COM5	TB23	NC																																										
TB26	13	TB25	12																																										
TB28	15	TB27	14																																										
TB30	24G	TB29	24V																																										

* XBC input : P00~P23, XEC input : I00~I35 * XBC output : P40~P57, XEC output : Q00~Q23

XBC/XEC-DR60SU
 XBC/XEC-DN60SU
 XBC/XEC-DP60SU
 Input wiring
 (sink/source type)

Circuit configuration		No.	Contact	No.	Contact	Type
	TB2	485+	TB1	RX		
	TB4	485-	TB3	TX		
	TB6	00	TB5	SG		
	TB8	02	TB7	01		
	TB10	04	TB9	03		
	TB12	06	TB11	05		
	TB14	08	TB13	07		
	TB16	0A	TB15	09		
	TB18	0C	TB17	0B		
	TB20	0E	TB19	0D		
	TB22	10	TB21	0F		
	TB24	12	TB23	11		
	TB26	14	TB25	13		
	TB28	16	TB27	15		
	TB30	18	TB29	17		
	TB32	1A	TB31	19		
	TB34	1C	TB33	1B		
	TB36	1E	TB35	1D		
	TB38	20	TB37	1F		
	TB40	22	TB39	21		
	TB42	COM	TB41	23		

XBC/XEC-DR60SU
 Relay output wiring

Circuit configuration		No.	Contact	No.	Contact	Type
	TB2	PE	TB1	AC100		
	TB4	COM0	TB3	-240V		
	TB6	COM1	TB5	40		
	TB8	COM2	TB7	41		
	TB10	43	TB9	42		
	TB12	COM3	TB11	NC		
	TB14	45	TB13	44		
	TB16	47	TB15	46		
	TB18	COM4	TB17	NC		
	TB20	49	TB19	48		
	TB22	4B	TB21	4A		
	TB24	COM5	TB23	NC		
	TB26	4D	TB25	4C		
	TB28	4F	TB27	4E		
	TB30	COM6	TB29	NC		
	TB32	51	TB31	50		
	TB34	53	TB33	52		
	TB36	COM7	TB35	NC		
	TB38	55	TB37	54		
	TB40	57	TB39	56		
	TB42	24G	TB41	24V		

* XBC input : P00~P23, XEC input : I00~I35 * XBC output : P40~P57, XEC output : Q00~Q23

XBC/XEC SU

XBC/XEC-DN60SU

Transistor output wiring
(sink type)

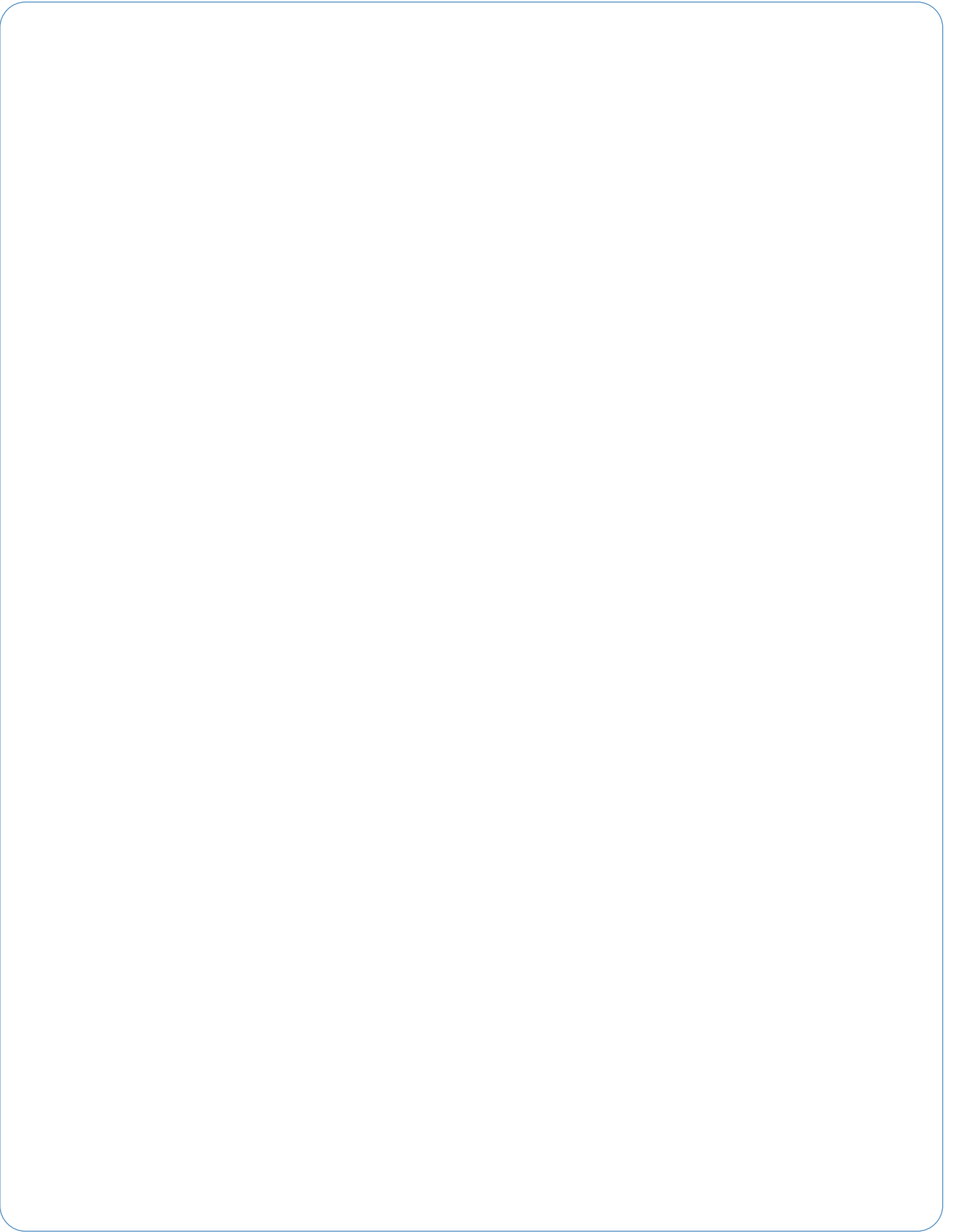
Circuit configuration		No.	Contact	No.	Contact	Type																																																																					
	TB2	PE	TB1	AC100	<table border="1"> <tr> <td>⊕</td> <td>AC100</td> <td>TB1</td> </tr> <tr> <td>⊖</td> <td>-240V</td> <td>TB3</td> </tr> <tr> <td>COM0</td> <td>40</td> <td>TB5</td> </tr> <tr> <td>COM1</td> <td>41</td> <td>TB7</td> </tr> <tr> <td>COM2</td> <td>42</td> <td>TB9</td> </tr> <tr> <td>COM3</td> <td>P</td> <td>TB11</td> </tr> <tr> <td>COM4</td> <td>44</td> <td>TB13</td> </tr> <tr> <td>COM5</td> <td>46</td> <td>TB15</td> </tr> <tr> <td>COM6</td> <td>48</td> <td>TB17</td> </tr> <tr> <td>COM7</td> <td>4A</td> <td>TB19</td> </tr> <tr> <td>COM8</td> <td>4C</td> <td>TB21</td> </tr> <tr> <td>COM9</td> <td>4E</td> <td>TB23</td> </tr> <tr> <td>COM10</td> <td>50</td> <td>TB25</td> </tr> <tr> <td>COM11</td> <td>52</td> <td>TB27</td> </tr> <tr> <td>COM12</td> <td>54</td> <td>TB29</td> </tr> <tr> <td>COM13</td> <td>56</td> <td>TB31</td> </tr> <tr> <td>COM14</td> <td>24V</td> <td>TB33</td> </tr> <tr> <td>COM15</td> <td>NC</td> <td>TB35</td> </tr> <tr> <td>COM16</td> <td>54</td> <td>TB37</td> </tr> <tr> <td>COM17</td> <td>56</td> <td>TB39</td> </tr> <tr> <td>COM18</td> <td>24V</td> <td>TB41</td> </tr> <tr> <td>COM19</td> <td>NC</td> <td>TB43</td> </tr> </table>	⊕	AC100	TB1	⊖	-240V	TB3	COM0	40	TB5	COM1	41	TB7	COM2	42	TB9	COM3	P	TB11	COM4	44	TB13	COM5	46	TB15	COM6	48	TB17	COM7	4A	TB19	COM8	4C	TB21	COM9	4E	TB23	COM10	50	TB25	COM11	52	TB27	COM12	54	TB29	COM13	56	TB31	COM14	24V	TB33	COM15	NC	TB35	COM16	54	TB37	COM17	56	TB39	COM18	24V	TB41	COM19	NC	TB43	TB4	COM0	TB3	-240V
	⊕	AC100	TB1																																																																								
	⊖	-240V	TB3																																																																								
	COM0	40	TB5																																																																								
	COM1	41	TB7																																																																								
	COM2	42	TB9																																																																								
	COM3	P	TB11																																																																								
	COM4	44	TB13																																																																								
	COM5	46	TB15																																																																								
	COM6	48	TB17																																																																								
	COM7	4A	TB19																																																																								
	COM8	4C	TB21																																																																								
	COM9	4E	TB23																																																																								
	COM10	50	TB25																																																																								
	COM11	52	TB27																																																																								
	COM12	54	TB29																																																																								
	COM13	56	TB31																																																																								
	COM14	24V	TB33																																																																								
	COM15	NC	TB35																																																																								
	COM16	54	TB37																																																																								
	COM17	56	TB39																																																																								
	COM18	24V	TB41																																																																								
	COM19	NC	TB43																																																																								
	TB6	COM1	TB5	40																																																																							
TB8	COM2	TB7	41																																																																								
TB10	43	TB9	42																																																																								
TB12	COM3	TB11	P																																																																								
TB14	45	TB13	44																																																																								
TB16	47	TB15	46																																																																								
TB18	COM4	TB17	NC																																																																								
TB20	49	TB19	48																																																																								
TB22	4B	TB21	4A																																																																								
TB24	COM5	TB23	NC																																																																								
TB26	4D	TB25	4C																																																																								
TB28	4F	TB27	4E																																																																								
TB30	COM6	TB29	NC																																																																								
TB32	51	TB31	50																																																																								
TB34	53	TB33	52																																																																								
TB36	COM7	TB35	NC																																																																								
TB38	55	TB37	54																																																																								
TB40	57	TB39	56																																																																								
TB42	24G	TB41	24V																																																																								

XBC/XEC-DP60SU

Transistor output wiring
(source type)

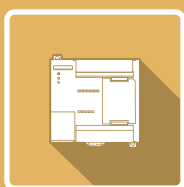
Circuit configuration		No.	Contact	No.	Contact	Type																																																																					
	TB2	PE	TB1	AC100	<table border="1"> <tr> <td>⊕</td> <td>AC100</td> <td>TB1</td> </tr> <tr> <td>⊖</td> <td>-240V</td> <td>TB3</td> </tr> <tr> <td>COM0</td> <td>00</td> <td>TB5</td> </tr> <tr> <td>COM1</td> <td>01</td> <td>TB7</td> </tr> <tr> <td>COM2</td> <td>02</td> <td>TB9</td> </tr> <tr> <td>COM3</td> <td>N</td> <td>TB11</td> </tr> <tr> <td>COM4</td> <td>04</td> <td>TB13</td> </tr> <tr> <td>COM5</td> <td>06</td> <td>TB15</td> </tr> <tr> <td>COM6</td> <td>08</td> <td>TB17</td> </tr> <tr> <td>COM7</td> <td>10</td> <td>TB19</td> </tr> <tr> <td>COM8</td> <td>12</td> <td>TB21</td> </tr> <tr> <td>COM9</td> <td>14</td> <td>TB23</td> </tr> <tr> <td>COM10</td> <td>16</td> <td>TB25</td> </tr> <tr> <td>COM11</td> <td>18</td> <td>TB27</td> </tr> <tr> <td>COM12</td> <td>20</td> <td>TB29</td> </tr> <tr> <td>COM13</td> <td>22</td> <td>TB31</td> </tr> <tr> <td>COM14</td> <td>24V</td> <td>TB33</td> </tr> <tr> <td>COM15</td> <td>NC</td> <td>TB35</td> </tr> <tr> <td>COM16</td> <td>20</td> <td>TB37</td> </tr> <tr> <td>COM17</td> <td>22</td> <td>TB39</td> </tr> <tr> <td>COM18</td> <td>24V</td> <td>TB41</td> </tr> <tr> <td>COM19</td> <td>NC</td> <td>TB43</td> </tr> </table>	⊕	AC100	TB1	⊖	-240V	TB3	COM0	00	TB5	COM1	01	TB7	COM2	02	TB9	COM3	N	TB11	COM4	04	TB13	COM5	06	TB15	COM6	08	TB17	COM7	10	TB19	COM8	12	TB21	COM9	14	TB23	COM10	16	TB25	COM11	18	TB27	COM12	20	TB29	COM13	22	TB31	COM14	24V	TB33	COM15	NC	TB35	COM16	20	TB37	COM17	22	TB39	COM18	24V	TB41	COM19	NC	TB43	TB4	COM0	TB3	-240V
	⊕	AC100	TB1																																																																								
	⊖	-240V	TB3																																																																								
	COM0	00	TB5																																																																								
	COM1	01	TB7																																																																								
	COM2	02	TB9																																																																								
	COM3	N	TB11																																																																								
	COM4	04	TB13																																																																								
	COM5	06	TB15																																																																								
	COM6	08	TB17																																																																								
	COM7	10	TB19																																																																								
	COM8	12	TB21																																																																								
	COM9	14	TB23																																																																								
	COM10	16	TB25																																																																								
	COM11	18	TB27																																																																								
	COM12	20	TB29																																																																								
	COM13	22	TB31																																																																								
	COM14	24V	TB33																																																																								
	COM15	NC	TB35																																																																								
	COM16	20	TB37																																																																								
	COM17	22	TB39																																																																								
	COM18	24V	TB41																																																																								
	COM19	NC	TB43																																																																								
	TB6	COM1	TB5	00																																																																							
TB8	COM2	TB7	01																																																																								
TB10	03	TB9	02																																																																								
TB12	COM3	TB11	N																																																																								
TB14	05	TB13	04																																																																								
TB16	07	TB15	06																																																																								
TB18	COM4	TB17	NC																																																																								
TB20	09	TB19	08																																																																								
TB22	11	TB21	10																																																																								
TB24	COM5	TB23	NC																																																																								
TB26	13	TB25	12																																																																								
TB28	15	TB27	14																																																																								
TB30	COM6	TB29	NC																																																																								
TB32	17	TB31	16																																																																								
TB34	19	TB33	18																																																																								
TB36	COM7	TB35	NC																																																																								
TB38	21	TB37	20																																																																								
TB40	23	TB39	22																																																																								
TB42	24G	TB41	24V																																																																								

* XBC input : P00~P23, XEC input : I00~I35 * XBC output : P40~P57, XEC output : Q00~Q23



XBC/XEC-SU





XBC/XEC E

Economic

C o n t e n t s

Performance specifications	42
Wiring	43



Economic

Performance specifications

Item	Specifications ('E' type)			
	XBC/XEC-DR10E	XBC/XEC-DR14E	XBC/XEC-DR20E	XBC/XEC-DR30E
	XBC/XEC-DN10E	XBC/XEC-DN14E	XBC/XEC-DN20E	XBC/XEC-DN30E
	XBC/XEC-DP10E	XBC/XEC-DP14E	XBC/XEC-DP20E	XBC/XEC-DP30E
Program control method	Reiterative operation, Fixed cycle operation			
I/O control method	Scan synchronized batch processing method (Refresh method) Direct method by instruction			
Program language	Ladder Diagram (LD), Sequential Function Chart (SFC) Structured Text (ST), Instruction List (IL)			
Processing speed (Basic instruction)	240 ns/step			
Program capacity	4 Kstep (XBC-Dxxx E), 50 KB (XEC-Dxxx E)			
Max. I/O points (Main+Option X)	14 point (1 option)	18 point (1 option)	28 point (2 option)	38 point (2 option)
Operation Mode	RUN, STOP, DEBUG			
Total number of program block	128			
Task	Initialization	1		
	Fixed period	8		
	External input	4 (%I × 0.0.0~%I × 0.0.3)		
	Internal device	8		
Program port	RS-232C 1 channel (Loader)			
Self - diagnostic functions	Watchdog Timer, Memory error detection I/O error detection, etc.			
Built -in functions	RS-232C or RS-485(1 ch), Pulse catch, Input filter, External interrupt, High-speed counter			
Retain data at power failure	Latch area setting at basic parameter			

Wiring | XBC/XEC E input/output wiring

XBC/XEC-DR10E
XBC/XEC-DN10E
XBC/XEC-DP10E
 Input wiring
 (sink/source type)

Circuit configuration		No.	Contact	No.	Contact	Type																								
		TB2	485+	TB1	RX	<table border="1"> <tr> <td>⊕</td> <td>RX</td> <td>TB1</td> </tr> <tr> <td>485+</td> <td>TX</td> <td>TB3</td> </tr> <tr> <td>485-</td> <td>SG</td> <td>TB5</td> </tr> <tr> <td>00</td> <td>01</td> <td>TB7</td> </tr> <tr> <td>02</td> <td>03</td> <td>TB9</td> </tr> <tr> <td>04</td> <td>05</td> <td>TB11</td> </tr> <tr> <td>NC</td> <td>NC</td> <td>TB13</td> </tr> <tr> <td>COM</td> <td>⊕</td> <td></td> </tr> </table>	⊕	RX	TB1	485+	TX	TB3	485-	SG	TB5	00	01	TB7	02	03	TB9	04	05	TB11	NC	NC	TB13	COM	⊕	
		⊕	RX	TB1																										
		485+	TX	TB3																										
		485-	SG	TB5																										
		00	01	TB7																										
		02	03	TB9																										
		04	05	TB11																										
		NC	NC	TB13																										
		COM	⊕																											
		TB4	485-	TB3	TX																									
		TB6	00	TB5	SG																									
		TB8	02	TB7	01																									
		TB10	04	TB9	03																									
		TB12	NC	TB11	05																									
TB14	COM	TB13	NC																											

XBC/XEC-DR10E
 Relay output wiring

Circuit configuration		No.	Contact	No.	Contact	Type																								
		TB2	PE	TB1	AC100	<table border="1"> <tr> <td>⊕</td> <td>AC100</td> <td>TB1</td> </tr> <tr> <td>PE</td> <td>~240V</td> <td>TB3</td> </tr> <tr> <td>COM0</td> <td>40</td> <td>TB5</td> </tr> <tr> <td>COM1</td> <td>41</td> <td>TB7</td> </tr> <tr> <td>COM2</td> <td>42</td> <td>TB9</td> </tr> <tr> <td>43</td> <td>NC</td> <td>TB11</td> </tr> <tr> <td>NC</td> <td>24V</td> <td>TB13</td> </tr> <tr> <td>24G</td> <td>⊕</td> <td>TB15</td> </tr> </table>	⊕	AC100	TB1	PE	~240V	TB3	COM0	40	TB5	COM1	41	TB7	COM2	42	TB9	43	NC	TB11	NC	24V	TB13	24G	⊕	TB15
		⊕	AC100	TB1																										
		PE	~240V	TB3																										
		COM0	40	TB5																										
		COM1	41	TB7																										
		COM2	42	TB9																										
		43	NC	TB11																										
		NC	24V	TB13																										
		24G	⊕	TB15																										
		TB4	COM0	TB3	~240V																									
		TB6	COM1	TB5	40																									
		TB8	COM2	TB7	41																									
		TB10	43	TB9	42																									
		TB12	NC	TB11	NC																									
TB14	24G	TB13	24V																											

XBC/XEC-DN10E
 Transistor output wiring
 (sink type)

Circuit configuration		No.	Contact	No.	Contact	Type																								
		TB2	PE	TB1	AC100	<table border="1"> <tr> <td>⊕</td> <td>AC100</td> <td>TB1</td> </tr> <tr> <td>PE</td> <td>~240V</td> <td>TB3</td> </tr> <tr> <td>P</td> <td>00</td> <td>TB5</td> </tr> <tr> <td>COM0</td> <td>01</td> <td>TB7</td> </tr> <tr> <td>COM1</td> <td>02</td> <td>TB9</td> </tr> <tr> <td>03</td> <td>NC</td> <td>TB11</td> </tr> <tr> <td>NC</td> <td>24V</td> <td>TB13</td> </tr> <tr> <td>24G</td> <td>⊕</td> <td></td> </tr> </table>	⊕	AC100	TB1	PE	~240V	TB3	P	00	TB5	COM0	01	TB7	COM1	02	TB9	03	NC	TB11	NC	24V	TB13	24G	⊕	
		⊕	AC100	TB1																										
		PE	~240V	TB3																										
		P	00	TB5																										
		COM0	01	TB7																										
		COM1	02	TB9																										
		03	NC	TB11																										
		NC	24V	TB13																										
		24G	⊕																											
		TB4	P	TB3	~240V																									
		TB6	COM0	TB5	00																									
		TB8	COM1	TB7	01																									
		TB10	03	TB9	02																									
		TB12	NC	TB11	NC																									
TB14	24G	TB13	24V																											

XBC/XEC-DP10E
 Transistor output wiring
 (source type)

Circuit configuration		No.	Contact	No.	Contact	Type																								
		TB2	PE	TB1	AC100	<table border="1"> <tr> <td>⊕</td> <td>AC100</td> <td>TB1</td> </tr> <tr> <td>PE</td> <td>~240V</td> <td>TB3</td> </tr> <tr> <td>N</td> <td>00</td> <td>TB5</td> </tr> <tr> <td>COM0</td> <td>01</td> <td>TB7</td> </tr> <tr> <td>COM1</td> <td>02</td> <td>TB9</td> </tr> <tr> <td>03</td> <td>NC</td> <td>TB11</td> </tr> <tr> <td>NC</td> <td>24V</td> <td>TB13</td> </tr> <tr> <td>24G</td> <td>⊕</td> <td></td> </tr> </table>	⊕	AC100	TB1	PE	~240V	TB3	N	00	TB5	COM0	01	TB7	COM1	02	TB9	03	NC	TB11	NC	24V	TB13	24G	⊕	
		⊕	AC100	TB1																										
		PE	~240V	TB3																										
		N	00	TB5																										
		COM0	01	TB7																										
		COM1	02	TB9																										
		03	NC	TB11																										
		NC	24V	TB13																										
		24G	⊕																											
		TB4	N	TB3	~240V																									
		TB6	COM0	TB5	00																									
		TB8	COM1	TB7	01																									
		TB10	03	TB9	02																									
		TB12	NC	TB11	NC																									
TB14	24G	TB13	24V																											

* XBC input : P00~P11, XEC input : I00~I17 * XBC output : P40~P4B, XEC output : Q00~Q11

XBC/XEC E

XBC/XEC-DR14E XBC/XEC-DN14E XBC/XEC-DP14E

Input wiring
(sink/source type)

Circuit configuration		No.	Contact	No.	Contact	Type																																						
	TB2	485+	TB1	RX	<table border="1"> <tr><td>+</td><td></td><td></td></tr> <tr><td>485+</td><td>RX</td><td>TB1</td></tr> <tr><td>485-</td><td>TX</td><td>TB3</td></tr> <tr><td>00</td><td>SG</td><td>TB5</td></tr> <tr><td>01</td><td></td><td>TB7</td></tr> <tr><td>02</td><td></td><td>TB9</td></tr> <tr><td>03</td><td></td><td>TB11</td></tr> <tr><td>04</td><td></td><td>TB13</td></tr> <tr><td>05</td><td></td><td></td></tr> <tr><td>06</td><td></td><td></td></tr> <tr><td>07</td><td></td><td></td></tr> <tr><td>COM</td><td></td><td></td></tr> <tr><td>+</td><td></td><td></td></tr> </table>	+			485+	RX	TB1	485-	TX	TB3	00	SG	TB5	01		TB7	02		TB9	03		TB11	04		TB13	05			06			07			COM			+		
	+																																											
	485+	RX	TB1																																									
	485-	TX	TB3																																									
	00	SG	TB5																																									
	01		TB7																																									
	02		TB9																																									
	03		TB11																																									
	04		TB13																																									
	05																																											
	06																																											
	07																																											
	COM																																											
	+																																											
TB4	485-	TB3	TX																																									
TB6	00	TB5	SG																																									
TB8	02	TB7	01																																									
TB10	04	TB9	03																																									
TB12	06	TB11	05																																									
TB14	COM	TB13	07																																									

XBC-DR14E

Relay output wiring

Circuit configuration		No.	Contact	No.	Contact	Type																																
	TB2	PE	TB1	AC100	<table border="1"> <tr><td>+</td><td></td><td></td></tr> <tr><td>PE</td><td>AC100</td><td>TB1</td></tr> <tr><td>-240V</td><td></td><td>TB3</td></tr> <tr><td>COM0</td><td>40</td><td>TB5</td></tr> <tr><td>COM1</td><td>41</td><td>TB7</td></tr> <tr><td>COM2</td><td>42</td><td>TB9</td></tr> <tr><td>43</td><td></td><td>TB11</td></tr> <tr><td>44</td><td></td><td>TB13</td></tr> <tr><td>45</td><td>24V</td><td></td></tr> <tr><td>24G</td><td></td><td></td></tr> <tr><td>+</td><td></td><td></td></tr> </table>	+			PE	AC100	TB1	-240V		TB3	COM0	40	TB5	COM1	41	TB7	COM2	42	TB9	43		TB11	44		TB13	45	24V		24G			+		
	+																																					
	PE	AC100	TB1																																			
	-240V		TB3																																			
	COM0	40	TB5																																			
	COM1	41	TB7																																			
	COM2	42	TB9																																			
	43		TB11																																			
	44		TB13																																			
	45	24V																																				
	24G																																					
	+																																					
	TB4	COM0	TB5	40																																		
	TB6	COM1	TB7	41																																		
TB8	COM2	TB9	42																																			
TB10	43	TB11	NC																																			
TB12	NC	TB13	24V																																			
TB14	24G																																					

XBC/XEC-DN14E

Transistor output wiring
(sink type)

Circuit configuration		No.	Contact	No.	Contact	Type																																
	TB2	PE	TB1	AC100	<table border="1"> <tr><td>+</td><td></td><td></td></tr> <tr><td>PE</td><td>AC100</td><td>TB1</td></tr> <tr><td>-240V</td><td></td><td>TB3</td></tr> <tr><td>P</td><td>00</td><td>TB5</td></tr> <tr><td>COM0</td><td>01</td><td>TB7</td></tr> <tr><td>COM1</td><td>02</td><td>TB9</td></tr> <tr><td>03</td><td></td><td>TB11</td></tr> <tr><td>04</td><td></td><td>TB13</td></tr> <tr><td>05</td><td>24V</td><td></td></tr> <tr><td>24G</td><td></td><td></td></tr> <tr><td>+</td><td></td><td></td></tr> </table>	+			PE	AC100	TB1	-240V		TB3	P	00	TB5	COM0	01	TB7	COM1	02	TB9	03		TB11	04		TB13	05	24V		24G			+		
	+																																					
	PE	AC100	TB1																																			
	-240V		TB3																																			
	P	00	TB5																																			
	COM0	01	TB7																																			
	COM1	02	TB9																																			
	03		TB11																																			
	04		TB13																																			
	05	24V																																				
	24G																																					
	+																																					
	TB4	P	TB5	00																																		
	TB6	COM0	TB7	01																																		
TB8	COM1	TB9	02																																			
TB10	03	TB11	04																																			
TB12	05	TB13	24V																																			
TB14	24G																																					

XBC/XEC-DP14E

Transistor output wiring
(source type)

Circuit configuration		No.	Contact	No.	Contact	Type																																
	TB2	PE	TB1	AC100	<table border="1"> <tr><td>+</td><td></td><td></td></tr> <tr><td>PE</td><td>AC100</td><td>TB1</td></tr> <tr><td>-240V</td><td></td><td>TB3</td></tr> <tr><td>N</td><td>00</td><td>TB5</td></tr> <tr><td>COM0</td><td>01</td><td>TB7</td></tr> <tr><td>COM1</td><td>02</td><td>TB9</td></tr> <tr><td>03</td><td></td><td>TB11</td></tr> <tr><td>04</td><td></td><td>TB13</td></tr> <tr><td>05</td><td>24V</td><td></td></tr> <tr><td>24G</td><td></td><td></td></tr> <tr><td>+</td><td></td><td></td></tr> </table>	+			PE	AC100	TB1	-240V		TB3	N	00	TB5	COM0	01	TB7	COM1	02	TB9	03		TB11	04		TB13	05	24V		24G			+		
	+																																					
	PE	AC100	TB1																																			
	-240V		TB3																																			
	N	00	TB5																																			
	COM0	01	TB7																																			
	COM1	02	TB9																																			
	03		TB11																																			
	04		TB13																																			
	05	24V																																				
	24G																																					
	+																																					
	TB4	N	TB5	00																																		
	TB6	COM0	TB7	01																																		
TB8	COM1	TB9	02																																			
TB10	03	TB11	04																																			
TB12	05	TB13	24V																																			
TB14	24G																																					

* XBC input : P00~P11, XEC input : I00~I17 * XBC output : P40~P4B, XEC output : Q00~Q11

XBC/XEC-DR20E
 XBC/XEC-DN20E
 XBC/XEC-DP20E
 Input wiring
 (sink/source type)

Circuit configuration		No.	Contact	No.	Contact	Type
		TB2	485+	TB1	RX	
		TB4	485-	TB3	TX	
		TB6	00	TB5	SG	
		TB8	02	TB7	01	
		TB10	04	TB9	03	
		TB12	06	TB11	05	
		TB14	08	TB13	07	
		TB16	0A	TB15	09	
		TB18	NC	TB17	0B	
		TB20	NC	TB19	NC	
		TB22	NC	TB21	NC	
		TB24	COM	TB23	NC	

XBC-DR20E
 Relay output wiring

Circuit configuration		No.	Contact	No.	Contact	Type
		TB2	PE	TB1	AC100	
		TB4	COM0	TB3	-240V	
		TB6	COM1	TB5	40	
		TB8	COM2	TB7	41	
		TB10	43	TB9	42	
		TB12	45	TB11	NC	
		TB14	47	TB13	44	
		TB16	NC	TB15	46	
		TB18	NC	TB17	NC	
		TB20	NC	TB19	NC	
		TB22	NC	TB21	NC	
		TB24	24G	TB23	24V	

XBC/XEC-DN20E
 Transistor output wiring
 (sink type)

Circuit configuration		No.	Contact	No.	Contact	Type
		TB2	PE	TB1	AC100	
		TB4	P	TB5	00	
		TB6	COM0	TB7	01	
		TB8	COM1	TB9	02	
		TB10	03	TB11	NC	
		TB12	COM2	TB13	04	
		TB14	05	TB15	06	
		TB16	07	TB17	NC	
		TB18	NC	TB19	NC	
		TB20	NC	TB21	NC	
		TB22	NC	TB23	NC	
		TB24	24G	TB23	24V	

XBC/XEC-DP20E
 Transistor output wiring
 (source type)

Circuit configuration		No.	Contact	No.	Contact	Type
		TB2	PE	TB1	AC100	
		TB4	N	TB5	00	
		TB6	COM0	TB7	01	
		TB8	COM1	TB9	02	
		TB10	03	TB11	NC	
		TB12	COM2	TB13	04	
		TB14	05	TB15	06	
		TB16	07	TB17	NC	
		TB18	NC	TB19	NC	
		TB20	NC	TB21	NC	
		TB22	NC	TB23	NC	
		TB24	24G	TB23	24V	

* XBC input : P00~P11, XEC input : I00~I17 * XBC output : P40~P4B, XEC output : Q00~Q11

XBC/XEC E

XBC/XEC-DR30E XBC/XEC-DN30E XBC/XEC-DP30E

Input wiring
(sink/source type)

Circuit configuration		No.	Contact	No.	Contact	Type
	TB2	485+	TB1	RX		
	TB4	485-	TB3	TX		
	TB6	00	TB5	SG		
	TB8	02	TB7	01		
	TB10	04	TB9	03		
	TB12	06	TB11	05		
	TB14	08	TB13	07		
	TB16	0A	TB15	09		
	TB18	0C	TB17	0B		
	TB20	0E	TB19	0D		
	TB22	10	TB21	0F		
	TB24	COM	TB23	11		

XBC-DR30E

Relay output wiring

Circuit configuration		No.	Contact	No.	Contact	Type
	TB2	PE	TB1	AC100		
	TB4	COM0	TB3	-240V		
	TB6	COM1	TB5	40		
	TB8	COM2	TB7	41		
	TB10	43	TB9	42		
	TB12	COM3	TB11	NC		
	TB14	45	TB13	44		
	TB16	47	TB15	46		
	TB18	COM4	TB17	NC		
	TB20	49	TB19	48		
	TB22	4B	TB21	4A		
	TB24	24G	TB23	24V		

XBC/XEC-DN30E

Transistor output wiring
(sink type)

Circuit configuration		No.	Contact	No.	Contact	Type
	TB2	PE	TB1	AC100		
	TB4	P	TB3	-240V		
	TB6	COM0	TB5	00		
	TB8	COM1	TB7	01		
	TB10	03	TB9	02		
	TB12	COM2	TB11	NC		
	TB14	05	TB13	04		
	TB16	07	TB15	06		
	TB18	COM3	TB17	NC		
	TB20	09	TB19	08		
	TB22	11	TB21	10		
	TB24	24G	TB23	24V		

XBC/XEC-DP30E

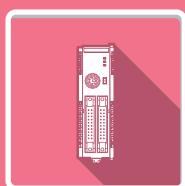
Transistor output wiring
(source type)

Circuit configuration		No.	Contact	No.	Contact	Type
	TB2	PE	TB1	AC100		
	TB4	N	TB3	-240V		
	TB6	COM0	TB5	00		
	TB8	COM1	TB7	01		
	TB10	03	TB9	02		
	TB12	COM2	TB11	NC		
	TB14	05	TB13	04		
	TB16	07	TB15	06		
	TB18	COM3	TB17	NC		
	TB20	09	TB19	08		
	TB22	11	TB21	10		
	TB24	24G	TB23	24V		

* XBC input : P00~P11, XEC input : I00~I17 * XBC output : P40~P4B, XEC output : Q00~Q11



XBC/KEC E



XBM Slim

Slim

C o n t e n t s

General specification	50
Performance specifications	51
Wiring	52



XGB General specification

Slim

Modular type unit

[XBM-DR16S, DN16S, DN32S]



Item	Descriptions			Standard
Ambient temperature	0 ~ 55 °C			
Storage temperature	-25 ~ +70 °C			
Ambient humidity	5 ~ 95%RH (Non-condensing)			
Storage humidity	5 ~ 95%RH (Non-condensing)			
Vibration resistance	Occasional vibration			10 times each direction (X, Y and Z) IEC61131-2
	Frequency	Acceleration	Pulse width	
	10 ≤ f < 57Hz	-	0.075mm	
	57 ≤ f ≤ 150Hz	9.8m/s ² (1G)	-	
	Continuous vibration			
	Frequency	Acceleration	Pulse width	
10 ≤ f < 57Hz	-	0.035mm		
57 ≤ f ≤ 150Hz	4.9m/s ² (0.5G)	-		
Shock resistance	<ul style="list-style-type: none"> Peak acceleration: 147m/s² (15g) Duration: 11ms Pulse waveform: Half-sine, 3times each direction per each axis 			IEC61131-2
Noise resistance	Square wave impulse noise	±500 V		LSIS Standard
	Electrostatic discharge	4kV		IEC61131-2 IEC61000-4-2
	Radiated electromagnetic field noise	80 ~ 1000MHz, 10V/m		IEC61131-2 IEC61000-4-3
	Fast transient/Burst noise	Main unit	Expansion module	
2kV		1kV		
Operating ambience	Free from corrosive gases and excessive dust			
Altitude	Up to 2,000m			
Pollution level ^{*1)}	Less than 2			
Cooling	Air-cooling			

*1) Pollution level indicates the degree to which conductive material is generated in the environment where the equipment is used. Pollution level 2 is the condition that only non-conductive pollution occurred but temporary conductivity may be produced due to condensing.

Performance specifications | Modular type unit

Performance specifications

Item	XBM-DR16S	XBM-DN16S	XBM-DN32S
Control method	Repetitive, cyclic, fixed cycle operation, constant scan		
I/O control method	Refresh mode (Batch processing by scan synchronization), Direct mode by instruction		
Programming language	Ladder diagram, Instruction List		
Processing speed	160 ns/Step		
Program capacity	10Kstep		
Main unit I/O points	16 points (Input:8, Output:8)	16 points (Input:8, Output:8)	32 points (Input:16, Output:16)
Max. I/O points (Main + Expansion 7 stages)	240 points		256 points
Total program	128		
Operation mode	RUN, STOP, DEBUG		
Self diagnosis	Detects errors of scan time, memory error, I/O error, battery error, power error, etc.		
Program port	RS-232C 1 channel (Loader)		
Retain data at power failure	Latch area setting at basic parameter		
Built-in functions	RS-232C/RS-485(2 ch), Pulse catch, Input filter, External interrupt, PID control, High-speed counter, Positioning ^{*1)}		
Data memory			
XBM			
Data area	P	P0000 ~ P127F (2,048 points)	
	M	M0000 ~ M255F (4,096 points)	
	K	K0000 ~ K2559F (Special area: K2600~K2559F) (40,960 points)	
	L	L0000 ~ L1279F (20,480 points)	
	F	F000 ~ F255F (4,096 points)	
	T	100ms, 10ms, 1ms: T000 ~ T255 (256) (Adjustable by parameter setting)	
	C	C000 ~ C255 (256)	
	S	S00.00 ~ S127.99	
	D	D0000 ~ D5119 (5,120 word)	
	U	U00.00 ~ U07.31 (Analog data refresh area: 256 word)	
	Z	Z000 ~ Z127 (128 word)	
	N	N0000 ~ N3935 (3,936 word)	

*1) XBM-DR16S does not have built-in positioning function.

XBM-DR16S

Input wiring
(sink/source type)

Circuit configuration		No.	Contact	Type
		TB1	0	
		TB2	1	
		TB3	2	
		TB4	3	
		TB5	4	
		TB6	5	
		TB7	6	
		TB8	7	
		TB9	COM	

XBM-DR16S

Relay output wiring

Circuit configuration		No.	Contact	Type
		TB1	20	
		TB2	21	
		TB3	22	
		TB4	23	
		TB5	24	
		TB6	25	
		TB7	26	
		TB8	27	
		TB9	COM	

XBM-DN16S

Input wiring(sink/source type)

Circuit configuration		No.	Contact	No.	Contact	Type
		B10	0	A10	NC	
		B09	1	A09	NC	
		B08	2	A08	NC	
		B07	3	A07	NC	
		B06	4	A06	NC	
		B05	5	A05	NC	
		B04	6	A04	NC	
		B03	7	A03	NC	
		B02	COM	A02	NC	
		B01	COM	A01	NC	

XBM-DR16S

Transistor output wiring
(sink type)

Circuit configuration		No.	Contact	Type	
	B10	20		A10	
	B09	21		A09	A09
	B08	22		A08	A08
	B07	23		A07	A07
	B06	24		A06	A06
	B05	25		A05	A05
	B04	26		A04	A04
	B03	27		A03	A03
	B02	DC12 /24V		A02	A02
	B01	NC		A01	A01
	A10	NC			
	A09	NC			
	A08	NC			
	A07	NC			
	A06	NC			
	A05	NC			
A04	NC				
A03	NC				
A02	COM				
A01	COM				

XBM-DN16S

Input wiring(sink/source type)

Circuit configuration		No.	Contact	No.	Contact	Type
	B10	0	A10	NC		A10
	B09	1	A09	NC		A09
	B08	2	A08	NC		A08
	B07	3	A07	NC		A07
	B06	4	A06	NC		A06
	B05	5	A05	NC		A05
	B04	6	A04	NC		A04
	B03	7	A03	NC		A03
	B02	COM	A02	COM		A02
	B01	COM	A01	COM		A01

XBM-DR16S

Transistor output wiring
(sink type)

Circuit configuration		No.	Contact	Type	
	B10	20		A10	
	B09	21		A09	A09
	B08	22		A08	A08
	B07	23		A07	A07
	B06	24		A06	A06
	B05	25		A05	A05
	B04	26		A04	A04
	B03	27		A03	A03
	B02	DC12 /24V		A02	A02
	B01	NC		A01	A01
	A10	28			
	A09	29			
	A08	2A			
	A07	2B			
	A06	2C			
	A05	2D			
A04	2E				
A03	2F				
A02	COM				
A01	COM				

XBM Slim

Slim

Transistor output wiring (XBM-DN16S)

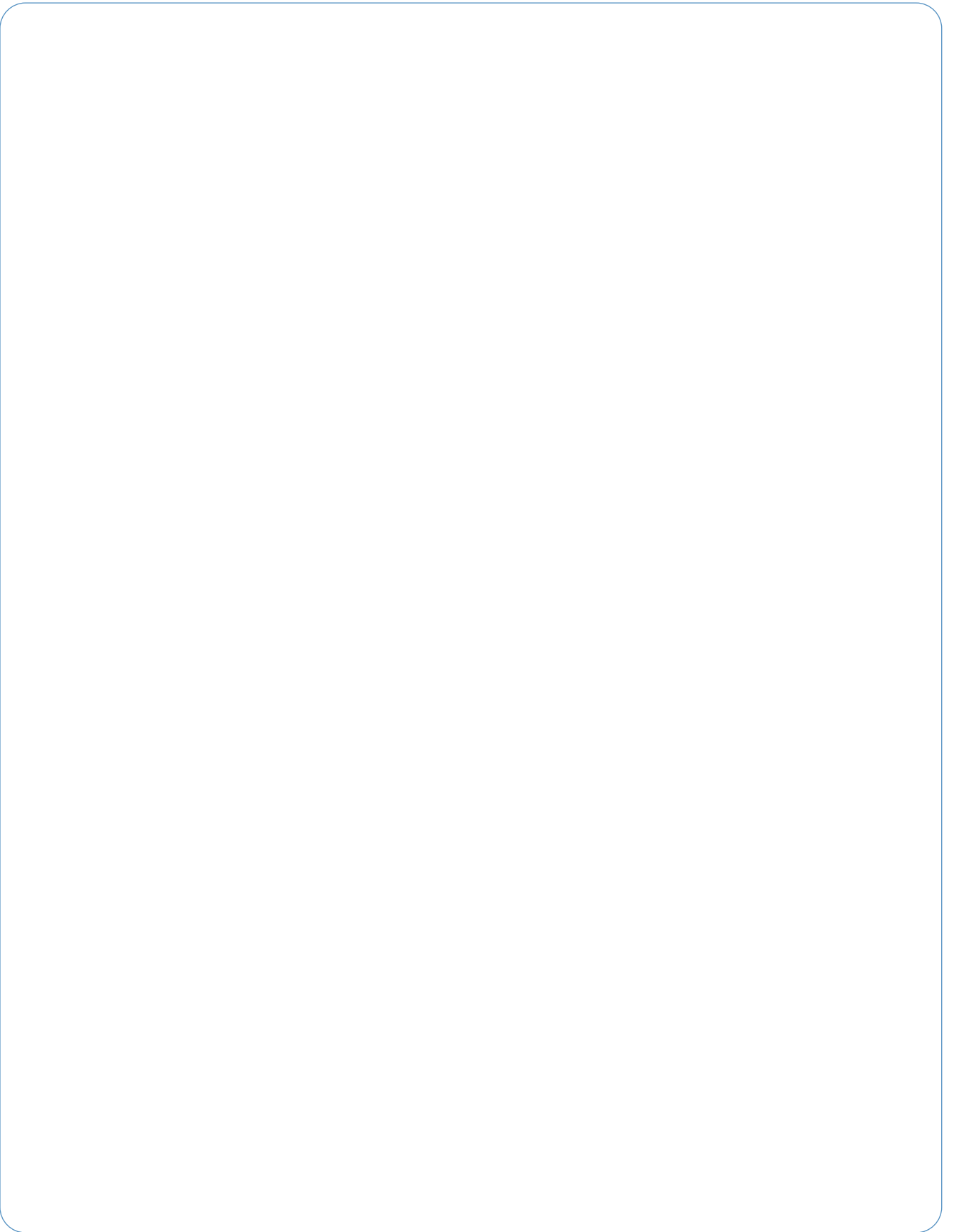
Circuit configuration		No.	Contact	Type
	B10	20		
	B09	21		
	B08	22		
	B07	23		
	B06	24		
	B05	25		
	B04	26		
	B03	27		
	B02	DC12/24V		
	B01	24V		
	A10	NC	A10	
	A09	NC	A09	
	A08	NC	A08	
	A07	NC	A07	
	A06	NC	A06	
	A05	NC	A05	
	A04	NC	A04	
	A03	NC	A03	
	A02	COM	A02	
	A01	COM	A01	

Input wiring (XBM-DN32S)

Circuit configuration		No.	Contact	No.	Contact	Type
	B10	00	A10	08		
	B09	01	A09	09		
	B08	02	A08	0A		
	B07	03	A07	0B		
	B06	04	A06	0C		
	B05	05	A05	0D		
	B04	06	A04	0E		
	B03	07	A03	0F		
	B02	COM	A02	COM		
	B01	COM	A01	COM		

Transistor output wiring (XBM-DN32S)

Circuit configuration		No.	Contact	Type
	B10	20		
	B09	21		
	B08	22		
	B07	23		
	B06	24		
	B05	25		
	B04	26		
	B03	27		
	B02	DC12/24V		
	B01	24V		
	A10	28	A10	
	A09	29	A09	
	A08	2A	A08	
	A07	2B	A07	
	A06	2C	A06	
	A05	2D	A05	
	A04	2E	A04	
	A03	2F	A03	
	A02	COM	A02	
	A01	COM	A01	





Application

XGB Series

C o n t e n t s

Input/Output specification	58
Names and functions	64
Built-in functions	67
Expansion	76
DC Input	76
Transistor Output	77
Relay Output	78
DC Input/Relay Output	79
Analog Input	80
Analog Output	81
Analog Input/Output	82
RTD	83
Thermocouple	84
Temperature controller module	85
Load Cell input module	87
Positioning module	88
EtherCAT positioning module	89
High Speed counter module	91
Modular type	92
Communication	93
Option modules/Smart link	97
Software	98
Product list	99
Dimension	102





U type

Input specification

Item	XEC-DN32U/XEC-DN32UP/XEC-DN32UA XEC-DR28U/XEC-DR28UP/XEC-DR28UA
Input point	16 point
Insulation method	Photo coupler insulation
Rated input voltage	DC24V
Rated input current	About 4mA (Contact point 0~3: about 7mA)
Operation voltage range	DC20.4~28.8V (within ripple rate 5%)
On voltage / On current	DC19V or higher / 3mA or higher
Off voltage / Off current	DC6V or lower / 1mA or lower
Input resistance	About 5.6 Ω (P00~P07: about 4.7 Ω)
Response time	1/3/5/10/20/70/100ms (Set by I/O parameter) Default: 3ms
Off \rightarrow On On \rightarrow Off	
Insulation pressure	AC560Vrms/3 cycle (altitude 2000m)
Insulation resistance	10ms or more by MegOhmMeter
Common method	16 point/COM
Proper cable size	0.3~0.75mm ²
Operation indicator	LED On when Input On
External connection method	8 point terminal block + 10point terminal connector
Weight	571g

Transistor output specification

Item	XEC-DN32U/XEC-DN32UP/XEC-DN32UA
Output point	16 point
Insulation method	Photo coupler insulation
Rated load voltage	DC 12/24V
Operation load voltage range	DC 10.2 ~ 26.4V
Max. load current	0.5A/1 point, 2A/1COM
Off leakage current	0.1mA or less
Max. inrush current	4A/10ms or less
Max. voltage drop when On	DC 0.4V or less
Surge absorber	Zener diode
Response time	1ms or less 1ms or less (rated load, resistive load)
Off \rightarrow On On \rightarrow Off	
Common method	16 point/COM
Proper wire size	Stranded wire 0.3~0.75mm ² (external diameter 2.8mm or less)
External power	DC12/24V \pm 10% (Ripple voltage 4 Vp-p or less) 10mA or less (When connecting DC24V)
Voltage Current	
Operation indicator	LED On when Output On
External connection method	8 point terminal block connector + 10 point terminal block connector
Weight	571g

High performance type

Input specification

Item	XBC/XEC-DR32H	XBC/XEC-DN32H XEC-DP32H	XBC/XEC-DR64H	XBC/XEC-DN64H XEC-DP64H	XEC-DR32H/D1 XEC-DR64H/D1
Input points	16 points		32 points		16 points
Rated input voltage	DC 24V				DC 12/24V
Rated input current	4mA (Contact 0~7: 9mA)				5/10mA (Contact 0~7: 7/15mA)
Operation voltage range	DC 20.4 ~ 28.8V (Ripple rate < 5%)				DC 9.5~30V (Ripple rate < 5%)
On voltage / On current	DC 19V or more/3mA or more				DC 9V or more/3mA or more
Off voltage / Off current	DC 6V or less/1mA or less				DC 5V or less/1mA or less
Input resistance	5.6k Ω (P00 ~ P07: 2.7k Ω)				2.7k Ω (%IX0.0.0~%IX0.0.7:1.8k Ω)
Response time	Off \rightarrow On	1/3/5/10/20/70/100 ms (Setting by CPU parameter) Initial value: 3ms			
	On \rightarrow Off				

Relay output specification

Item	XBC/XEC-DR32H	XBC/XEC-DR64H
Output point	16 points	32 points
Insulation method	Relay insulation	
Rated load voltage / current	DC 24V 2A (Resistive load)/AC 220V 2A (COS ϕ = 1), 5A/COM	
Min. load voltage / current	DC 5V/1mA	
Max. load voltage	AC 250V, DC 125V	
Off leakage current	0.1mA (AC 220V, 60Hz)	
Max. On / Off frequency	3,600 times/hr	
Service life	Mechanical	20millions times or more
	Electrical	Rated load voltage/current 100,000 times or more
		AC 200V/1.5A, AC 240V/1A (COS ϕ = 0.7) 100,000 times or more
		AC 200V/1A, AC 240V/0.5A (COS ϕ = 0.35) 100,000 times or more
	DC 24V/1A, DC 100V/0.1A (L / R = 7ms) 100,000 times or more	
Response time	Off \rightarrow On	10ms or less
	On \rightarrow Off	12ms or less
Common method	4 points/COM	P20 ~ 2F: 4 points/COM P30 ~ 3F: 8 points/COM

Transistor output specification

Item	XBC-DN32H/XEC-DN(P)32H	XBC-DN64H/XEC-DN(P)64H
Output point	16 points	32 points
Insulation method	Photo coupler insulation	
Rated load voltage	DC 12/24V	
Load voltage range	DC 10.2 ~ 26.4 V	
Max. load voltage	0.5A / 1point (P20 ~ 23: 0.1A/point)	
Off leakage current	0.1mA or less	
Max. inrush current	4A/10ms or less	
Max. voltage drop (On)	DC 0.4V or less	
Surge absorber	Zener Diode	
Response time	Off \rightarrow On	1ms or less
	On \rightarrow Off	1ms or less (Rated load, resistive load)
Common method	4 points/COM	P20 ~ 2F: 4 points/COM P30 ~ 3F: 8 points/COM
External power supply	Voltage	DC 12/24V \pm 10% (Ripple voltage 4 Vp-p or less)
	Current	10mA or less (DC 24V connection)

Standard type

Input specification

Item	XBC/XEC-DN20SU	XBC/XEC-DN30SU	XBC/XEC-DN40SU	XBC/XEC-DN60SU
	XBC/XEC-DR20SU	XBC/XEC-DR30SU	XBC/XEC-DR40SU	XBC/XEC-DR60SU
Input point	12 points	18 points	24 points	36 points
Rated input voltage	DC 24V			
Rated input current	4mA (Contact point 0~1:16mA, 2~7 :10mA), DN20SU (DN30SU) : 4mA (Contact point 0~7: 10mA)			
Operation voltage range	DC 20.4 ~ 28.8V (Ripple rate < 5%)			
On voltage / On current	DC 19V or more/3mA or more			
Off voltage / Off current	DC 6V or less/1mA or less			
Input resistance	5.6kΩ (P00 ~ P07 : 2.7kΩ)			
Response time	Off → On	1/3/5/10/20/70/100ms (Setting by CPU parameter) Initial value : 3ms		
	On → Off			

Transistor output specification (Sink/Source type)

Item	XBC/XEC-DN20SU	XBC/XEC-DN30SU	XBC/XEC-DN40SU	XBC/XEC-DN60SU
	XBC/XEC-DR20SU	XBC/XEC-DR30SU	XBC/XEC-DR40SU	XBC/XEC-DR60SU
Output point	8 points	12 points	16 points	24 points
Insulation method	Photo coupler insulation			
Rated load voltage	DC 12/24V			
Load voltage range	DC 10.2 ~ 26.4V			
Max. load voltage	0.5A/1 point, 2A/ 1COM			
Off leakage current	0.1mA or less			
Max. inrush current	4A/10ms or less			
Max voltage drop (on)	DC 0.4V or less			
Surge absorber	Zener Diode			
Response time	Off → On	DC 12/24V± 10% (Ripple voltage 4Vp-p or less)		
	On → Off			

Relay output specification

Item	XBC/XEC-DR20SU	XBC/XEC-DR30SU	XBC/XEC-DR40SU	XBC/XEC-DR60SU
	Output point	8 points	12 points	16 points
Insulation method	Relay insulation			
Rated load voltage/current	DC 24V 2A/AC 220V 2A (COSϕ = 1), 5A/COM			
Min. load voltage/current	DC 5V/1mA			
Max. load Current	AC 250V, DC 125V			
Off leakage current	0.1mA (AC 220V, 60Hz)			
Surge absorber	-			
Response time	Off → On	10ms or less		
	On → Off			
Common method (/ COM)	4 points/COM (P40, P41 : 1 point/COM), (P42 P43 : 2 points/COM)			
Life-cycle	Mechanical	Rated load voltage/Current 10 million times or more		
	Electrical	AC 220V/1.5A, AC 240V/1A (COSϕ= 0.7) 10 million times or more		
		AC 200V/1A, AC 240V/0.5A (COSϕ= 0.35) 10 million times or more		
		DC 24V/1A, DC 100V/0.1A (L / R = 7ms) 10 million times or more		

Economic type

Input specification

Specification	Modal	Main unit			
		XBC/XEC-DR10E XBC/XEC-DN10E	XBC/XEC-DR14E XBC/XEC-DN14E	XBC/XEC-DR20E XBC/XEC-DN20E	XBC/XEC-DR30E XBC/XEC-DN30E
Input point		6 points	8 points	12 points	18 points
Insulation method		Photo coupler insulation			
Rated input voltage		DC 24V			
Rated input current		About 4mA (Contact point 0~3: about 7mA)			
Operation voltage range		DC 20.4~28.8V (Within ripple rate 5%)			
On voltage / On current		DC 19V or higher / 3mA or higher			
Off voltage / Off current		DC 6V or lower / 1mA or lower			
Input resistance		About 5.6k Ω (%I \times 0.0.0~%I \times 0.0.3: about 2.7k Ω)			
Response time	Off \rightarrow On	1 / 3 / 5 / 10 / 20 / 70 / 100ms (Set by I/O parameter) Default: 3ms			
	On \rightarrow Off				
Insulation pressure		AC 560Vrms / 3 cycle (Altitude 2000m)			
Insulation resistance		10k Ω or more by MegOhmMeter			
Common method		6 points / COM	8 points / COM	12 points / COM	18 points / COM
Proper cable size		0.3mm ²			
Operation indicator		LED On when Input On			
External connection method		14 point terminal block connector (M3 \times 6 screw)		24 point terminal block connector (M3 \times 6 screw)	
Weight		330g	340g	450g	465g
		313g	315g	418g	423g

Relay output specification

Specification	Modal	Main unit			
		XBC/XEC-DR10E	XBC/XEC-DR14E	XBC/XEC-DR20E	XBC/XEC-DR30E
Output point		4 points	6 points	8 points	12 points
Insulation method		Relay insulation			
Rated load voltage / Current		DC 24V 2A (resistive load) / AC 220V 2A (COS ϕ = 1), 5A / COM			
Min. load voltage / Current		DC 5V / 1mA			
Max. load voltage		AC 250V, DC 125V			
Off leakage current		0.1mA (AC 220V, 60Hz)			
Max. On/Off frequency		3,600 times / hour			
Surge absorber		None			
Service life	Mechanical	20 million times or more			
	Electrical	Rated load voltage / Current 100,000 times or more			
		AC 200V / 1.5A, AC 240V / 1A (CO ϕ = 0.7) 100,000 times or more			
		AC 200V / 1A, AC 240V / 0.5A (CO ϕ = 0.35) 100,000 times or more			
		DC 24V / 1A, DC 100V / 0.1A (L / R = 7ms) 100,000 times or more			
Response time	Off \rightarrow On	10ms or less			
	On \rightarrow Off	12ms or less			
Common method		2 points / COM	4 points / COM	4 points / COM	4 points / COM
Proper cable size		Stranded cable 0.3~0.75mm ² (External diameter 2.8mm or less)			
Operation indicator		LED On when Output On			
External connection method		14 point terminal block connector (M3 \times 6 screw)		24 point terminal block connector (M3 \times 6 screw)	

Economic type

Transistor output specification (Sink / Source type)

Specification	Modal	Main unit			
		XBC/XEC-DN10E XBC/XEC-DP10E	XBC/XEC-DN14E XBC/XEC-DP14E	XBC/XEC-DN20E XBC/XEC-DP20E	XBC/XEC-DN30E XBC/XEC-DP30E
Output point		4 points	6 points	8 points	12 points
Insulation method		Photo coupler insulation			
Rated load voltage		DC 12/24V			
Operation load voltage range		DC 10.2~26.4V			
Max. load current		0.5A/1 point, 2A/1COM			
Off leakage current		0.1mA or less			
Max. inrush current		4A/10ms or less			
Max. voltage drop when On		DC 0.4V or less			
Surge absorber		Zener diode			
Response time	Off → On	1ms less			
	On → Off	1ms less (Rated load, resistive load)			
Common method		4 point / COM			
Proper wire size		Stranded wire 0.3~0.75mm ² (External diameter 2.8mm or less)			
External power	Voltage	DC 12/24V ± 10% (Ripple voltage 4 Vp-p or less)			
	Current	25mA or less (When connecting DC 24V)			
Operation indicator		LED On when Output On			
External connection method		14 point terminal block connector (M3 × 6 screw)		24 point terminal block connector (M3 × 6 screw)	

Slim type

Input specification

Item	XBM-DR16S	XBM-DN16S	XBM-DN32S
Input point	8 points	8 points	16 points
Rated input voltage	DC 24V		
Rated input current	4mA (00 ~ 03: 7mA)		
Operation voltage range	DC 20.4 ~ 28.8V (Ripple rate < 5%)		
Response time	1/3/5/10/20/70/100ms		
	(Set by CPU parameter) Default : 3ms		
Common method	8 points/COM		16 points/COM

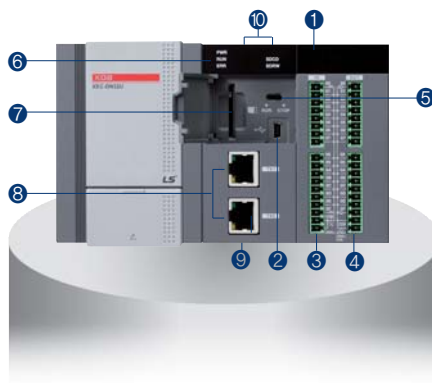
Relay output specification

Item	XBM-DR16S	
Output point	8 points	
Insulation method	Relay insulation	
Rated load voltage / current	DC 24V 2A (Resistive load)/AC 220V 2A (COS ϕ = 1), 5A/COM	
Min. load voltage / current	DC 5V/1mA	
Max. load voltage	AC 250V, DC 125V	
Off leakage current	0.1mA (AC 220V, 60Hz)	
Max. On / Off frequency	3,600 times/hr	
Service life	Mechanical	20 millions times or more
	Electrical	Rated load voltage/Current 100,000 times or more
		AC 200V/1.5A, AC 240V/1A (COS ϕ = 0.7) 100,000 times or more
		AC 200V/1A, AC 240V/0.5A (COS ϕ = 0.35) 100,000 times or more
Response time	Off \rightarrow On	10ms or less
	On \rightarrow Off	12ms or less
Common method	8 points / COM	

Transistor output specification

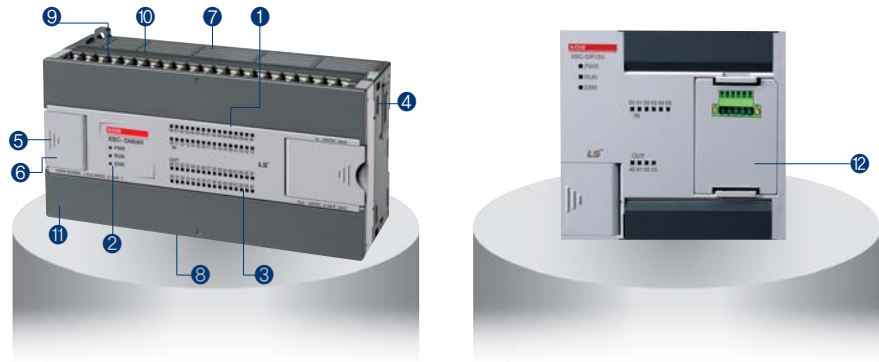
Item	XBM-DN16S	XBM-DN32S
Output point	8 point	16 point
Insulation method	Photo coupler insulation	
Rated load voltage	DC 12/24V	
Load voltage range	DC 10.2 ~ 26.4V	
Max. load voltage	0.2A/1 point (P20 ~ 23: 0.1A/Point)	
Max. inrush current	4A/10ms or less	
Max. voltage drop (On)	DC 0.4V or less	
Response time	1ms or less	
	1ms or less (Rated load, Resistive load)	
Common method	8 point / COM	16 point / COM
External power supply	DC 12/24V \pm 10% (Ripple voltage 4 Vp-p or less)	
	25mA or less (DC 24V connection)	
External connection method	20pin connector	

Block type unit (U)



No.	Name	Descriptions	Remark
①	LED for displaying input, output	Displays the On/Off status of input, output contacts	
②	Connector for PADT	Connector (USB 1channel) to access to XG5000	
③	Input terminal block	Terminal block receiving the actual input signal	
④	Output terminal block	Terminal block outputting the actual output signal	
⑤	RUN/STOP mode switch	Sets the basic unit's operation mode. - STOP → RUN : Program's operation is executed. - RUN → STOP : Program's operation is stopped. (In case of STOP, the remote operation is available.)	
⑥	Status display LED	Displays the basic unit's operation status. - PWR (Red light On) : The power is supplied. - RUN (Green light On) : During RUN mode - ERR (Flickering red light) : Occurrence of errors during operation - STATE (Red light On/flickering Red light): When the SD card is installed, the red light is turned On; when the SD card error occurs, the red light is flickering. - RD/WR (Flickering red light) : During SD card Write	
⑦	SD card connector	Connector with the SD memory card	
⑧	Terminal block for the embedded Enet communication	Terminal block for the embedded Enet communication	
⑨	Terminal block for the embedded communication	Terminal block (lower part of the product) for the embedded RS-232C/485 communication	
⑩	Battery holder	Battery holder (upper part of the product)	

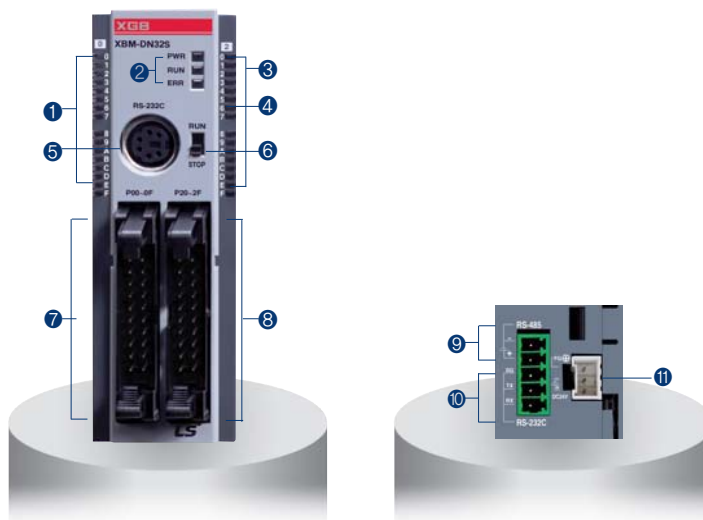
Block type unit
(High performance,
Standard, Economic)



No.	Name	Descriptions	Descriptions	Remark
①	Input LED	Input indication	Red On: Input signal On Red Off: Input signal Off	
②	Condition LED	PWR: Power indication	Red On: Power On Red Off: Power Off	
		RUN: RUN indication	Green On: PLC Run Green Off: PLC Stop	
		ERR: Error indication	Red On-and-Off: PLC Error Red Off: PLC Normal condition	
③	Output LED	Output LED	On: Output signal On Off: Output signal Off	
④	Expansion module connector	Expansion module connector	Connection of expansion module (I/O, Special function, Communication)	
⑤	PADT connector	PADT connection	Connector for XG5000/XG-PD connection	
⑥	Mode switch	Mode setting	Setting Run/Stop mode of PLC	
⑦	Input terminal block	Input wiring connection	-	
⑧	Output terminal block	Output wiring connection	-	
⑨	Built-in RS-485 connector	Built-in RS-485 connection	RS-485 +/- terminal connection	
⑩	Built-in RS-232C connector	Built-in RS-232C connection	RS-232C T × D, R × D, SG terminal connection	
⑪	Power terminal	Power supply terminal	AC 100-240V power supply	
⑫	Option module slot	Slot for option module	-	

XGB Names and functions

Modular type unit (XBM-DR16S, DN16S, DN32S)



No.	Name	Descriptions	Descriptions	Remark
①	Input LED	Input indication	Red On: Input signal On Red Off: Input signal Off	
②	Condition LED	PWR: Power indication	Red On: Power On Red Off: Power Off	
		RUN: RUN indication	Green On: PLC Run Green Off: PLC Stop	
		ERR: Error indication	Red On-and-Off: PLC Error Red Off: PLC Normal condition	
③	Output LED	Output LED	On: Output signal On Off: Output signal Off	
④	Expansion module connector	Expansion module connector	Connection of expansion module (I/O, Special function, Communication)	
⑤	PADT connector	PADT connection	Connector for XG5000/XG-PD connection	
⑥	Mode switch	Mode setting	Setting Run / Stop mode of PLC	
⑦	Input connector / Terminal block	Input wiring connection	-	
⑧	Output connector / Terminal block	Output wiring connection	-	
⑨	Built-in RS-485 connector	Built-in RS-485 connection	RS-485 +/- terminal connection	
⑩	Built-in RS-232C connector	Built-in RS-232C connection	RS-232C TxD, RxD, SG terminal connection	
⑪	Power connector	Power supply connection	DC 24V power supply	

Built-in functions

XGB U

Performance specifications

Items		Specification	Remark
PID control		Control by instruction, auto-tuning, PWM output, Forced output, Operation scan time setting, Antiwindup, Delta MV, PV tracking, Hybrid operation, Cascade operation	
Serial	Protocol	Dedicated protocol, Modbus protocol User defined protocol , LS bus (inverter protocol)	Embedded00 P2P:01
	Channel	RS-232C 1 port and RS-485 1 port	
Ethernet	Transfer spec	Cable: 100Base-TX Speed: 100Mbps Auto-MDIX ^{*1} IEEE 802.3	
	Topology	Line, star	
	Diagnosis	Module information, service condition	
	Protocol	XGT dedicated Modbus TCP/IP user define frame	Embedded01 P2P:02 High-speed link:01
Service	P2P, High Speed link, Remote connection		
Datalog	Group	Max 10 group	
	Data set	32 per group	
	Extension	csv file	
	File size	Max 16Mbyte	
	SD memory type	SD,SDHC type (Recommand: SanDisk,Transcend)	
	Memory size	Max 16GB	
	File system	FAT32	
High speed counter	Performance	1-phase : 100MHz 8 channels 2-phase : 50MHz 4 channels	
	Counter mode	4 counter modes are supported based on input pulse and INC/DEC method • 1 pulse operation Mode : INC/DEC count by program • 1 pulse operation Mode : INC/DEC count by phase B pulse input • 2 pulse operation Mode : INC/DEC count by input pulse • 2 pulse operation Mode : INC/DEC count by difference of phase	
	Function	• Internal/external preset • Latch counter • Compare output • No. of rotation per unit time	

*1 Auto-MDIX (Automatic medium-dependent interface crossover) :

It is the function to automatically detect whether the cable connected to the Ethernet port is peer-to-peer (straight) or cross cable



XGB U

Built-in positioning function (XBC/XEC-DxxxUP)

Items	Specification	Remark
Basic function	No. of control axi: 4axis Control Method:Position, Speed, Speed/Position, Feed Control Control Unit: Pulse ,mm, inch, degree Positioning Data: Each axis can have up to 400 data (Step number:1~400) Operation pattern: End, Keep, Continuous Operation method: Singular, Repeat	Availavle on Analog
Interpolation	2/3/4 axis linear interpolation 2 axis circular interpolation 3 axis helical interpolation	
Positioning	Method: Absolute/Incremental method Address range: 2, 147, 483, 648~2, 147, 483, 647 Speed: Max 2Mpps (1~2,000,000pps) Acc /Dec process: Trapezoid type, S-type	
Homing method	DOG+HOME (Off), DOG+HOME (On), Upper limit + HOME, DOG, High speed, Upper/Lower limit, HOME	
Manual operation	Jog operation, MPG operation, Inching operation	
Encoder input	Line drive (RS-422A) input 1Channel (Max 200kpps)	

Built-in analog function (XBC/XEC-DxxxUA)

Items	Specification	Remark			
Analog input	Channels	4channels (current/voltage)	Availavle on Analog		
	Specification	Input Range		Voltage: 1~5V, 0~5V, 0~10V, -10~10V Current: 4~20 mA, 0~20 mA Current input or Voltage input can be selected through the external terminal wiring setting.	
		Input resistance		1MΩ or more (voltage input), 250Ω (current iput)	
		Max. resolution		1/16000	
				0.250 mV (1 ~ 5V) 0.3125 mV (0 ~ 5V) 0.625 mV (0 ~ 10V) 1.250 mV (±10V)	1.0 μA (4 ~ 20 mA) 1.25 μA (0 ~ 20 mA)
Accuracy	±0.2% or less (When ambient temperature is 25 °C) ±0.3% or less (When ambient temperature is 0 ~ 55 °C)				
Analog output	Channels	Voltage 2 channels ,Current 2 channels		Availavle on Analog	
	Specification	Output Range			Voltage: 1~5V, 0~5V, 0~10V, -10~10V Current: 4~20 mA, 0~20 mA Output ranges are set in user program or I/O parameter per each channel.
		Load resistance			1MΩ or more(voltage output), 600Ω or less(current output)
		Max. resolution			1/16000
			0.250 mV (1 ~ 5V) 0.3125 mV (0 ~ 5V) 0.625 mV (0 ~ 10V) 1.250 mV (±10V)		1.0 μA (4 ~ 20 mA) 1.25 μA (0 ~ 20 mA)
Accuracy	±0.2% or less (When ambient temperature is 25 °C) ±0.3% or less (When ambient temperature is 0 ~ 55 °C)				

XGB H/SU/E, XBM

Performance specifications

Classification		Description			
		Block type unit			Modular type
		H	SU	E	XBM
Count input Signal	Signal	A-phase, B-phase			
	Input type	Voltage input (Open collector)			
	Signal level	DC 24V			
Max. count speed		100kpps	100kpps	4kpps	20kpps
Number of channels	1 phase	100kpps 4ch/20kpps 4ch	100kpps 2ch/20kpps 6ch	4kpps 4ch	20kpps 4ch
	2 phase	50kpps 2ch/10kpps 2ch	50kpps 1ch	2kpps 2ch	2 multiplication: 10kpps
		50kpps 2ch/8kpps 2ch	8kpps 3ch		4 multiplication: 8kpps
Count range		Signed 32bit (-2,147,483,648 ~ 2,147,483,647)			
Count mode (Program setting)		Linear count (If 32bit range exceeded, Carry / Borrow occurs)			
		Ring count (Repeated count within setting range)			
Input mode (Program setting)		1-phase input			
		2-phase input			
		CW/CCW input			
Signal type		Voltage			
Up/Down setting	1 phase input	Increasing/Decreasing operation setting by B-phase input			
		Increasing/Decreasing operation setting by program			
	2 phase input	Automatic setting by difference in phase			
CW/CCW	A-phase input: increasing operation				
	B-phase input: decreasing operation				
Multiplication function	1 phase input	1 multiplication			
	2 phase input	4 multiplication			
	CW/CCW	1 multiplication			
Control input	Signal	Preset instruction input			
	Signal level	DC 24V input type			
	Signal type	Voltage			
External output	Output points	2 point / channel (for each channel):	1 point / channel (for each channel):		
		output contact point of basic unit available		output contact point of basic unit available	
	Type	Select program setting, signal-compared (>, >=, =, <=, <) or section compared output (Included or excluded)			
Output type		Relay, Open-collector output (Sink)			
Count enable		To be set through program			
Preset function		To be set through terminal (contact) or program			
Auxiliary mode		Count latch			

Input specification

Item	Description
Input voltage	24V DC (20.4V ~ 28.8V)
Input current	4mA
On voltage (min.)	20.4V
Off voltage (max.)	6V

Parts designation | Block type unit

High performance type (XBC-H)

Terminal No.	Name		Usage	
	1-phase	2-Phase	1-phase	2-Phase
P000	Ch0 counter input	Ch0 A-phase input	Counter input terminal	A-phase input
P001	Ch1 counter input	Ch0 B-phase input	Counter input terminal	B-phase input
P002	Ch2 counter input	Ch2 A-phase input	Counter input terminal	A-phase input
P003	Ch3 counter input	Ch2 B-phase input	Counter input terminal	B-phase input
P004	Ch4 counter input	Ch4 A-phase input	Counter input terminal	A-phase input
P005	Ch5 counter input	Ch4 B-phase input	Counter input terminal	B-phase input
P006	Ch6 counter input	Ch6 A-phase input	Counter input terminal	A-phase input
P007	Ch7 counter input	Ch6 B-phase input	Counter input terminal	B-phase input
P008	Ch0 preset 24V	Ch0 preset 24V	Preset input terminal	Preset input terminal
P009	Ch1 preset 24V	-	Preset input terminal	No use
P00A	Ch2 preset 24V	Ch2 preset 24V	Preset input terminal	Preset input terminal
P00B	Ch4 preset 24V	-	Preset input terminal	No use
P00C	Ch5 preset 24V	Ch4 preset 24V	Preset input terminal	Preset input terminal
P00D	Ch6 preset 24V	-	Preset input terminal	No use
P00E	Ch7 preset 24V	Ch6 preset 24V	Preset input terminal	Preset input terminal
P00F	Ch8 preset 24V	-	Preset input terminal	No use
COM0	Input common	Input common	Input common	Input common

High performance type (XEC-H)

Terminal No.	Name		Usage	
	1-phase	2-Phase	1-phase	2-Phase
IX0.0.0	Ch0 counter input	Ch0 A-phase input	Counter input terminal	A-phase input
IX0.0.1	Ch1 counter input	Ch0 B-phase input	Counter input terminal	B-phase input
IX0.0.2	Ch2 counter input	Ch2 A-phase input	Counter input terminal	A-phase input
IX0.0.3	Ch3 counter input	Ch2 B-phase input	Counter input terminal	B-phase input
IX0.0.4	Ch4 counter input	Ch4 A-phase input	Counter input terminal	A-phase input
IX0.0.5	Ch5 counter input	Ch4 B-phase input	Counter input terminal	B-phase input
IX0.0.6	Ch6 counter input	Ch6 A-phase input	Counter input terminal	A-phase input
IX0.0.7	Ch7 counter input	Ch6 B-phase input	Counter input terminal	B-phase input
IX0.0.8	Ch0 preset 24V	Ch0 preset 24V	Preset input terminal	Preset input terminal
IX0.0.9	Ch1 preset 24V	-	Preset input terminal	No use
IX0.0.10	Ch2 preset 24V	Ch2 preset 24V	Preset input terminal	Preset input terminal
IX0.0.11	Ch4 preset 24V	-	Preset input terminal	No use
IX0.0.12	Ch5 preset 24V	Ch4 preset 24V	Preset input terminal	Preset input terminal
IX0.0.13	Ch6 preset 24V	-	Preset input terminal	No use
IX0.0.14	Ch7 preset 24V	Ch6 preset 24V	Preset input terminal	Preset input terminal
IX0.0.15	Ch8 preset 24V	-	Preset input terminal	No use
COM0	Input common	Input common	Input common	Input common

Standard type (XBC-SU)

Terminal No.	Name		Usage	
	1-phase	2-Phase	1-phase	2-Phase
P000	Ch0 counter input	Ch0 A-phase input	Counter input terminal	A-phase input
P001	Ch1 counter input	Ch0 B-phase input	Counter input terminal	B-phase input
P002	Ch2 counter input	Ch2 A-phase input	Counter input terminal	A-phase input
P003	Ch3 counter input	Ch2 B-phase input	Counter input terminal	B-phase input
P004	Ch4 counter input	Ch4 A-phase input	Counter input terminal	A-phase input
P005	Ch5 counter input	Ch4 B-phase input	Counter input terminal	B-phase input
P006	Ch6 counter input	Ch6 A-phase input	Counter input terminal	A-phase input
P007	Ch7 counter input	Ch6 B-phase input	Counter input terminal	B-phase input
P008	Ch0 preset 24V	Ch0 preset 24V	Preset input terminal	Preset input terminal
P009	Ch1 preset 24V	-	Preset input terminal	No use
P00A	Ch2 preset 24V	Ch2 preset 24V	Preset input terminal	Preset input terminal
P00B	Ch4 preset 24V	-	Preset input terminal	No use
P00C	Ch5 preset 24V	Ch4 preset 24V	Preset input terminal	Preset input terminal
P00D	Ch6 preset 24V	-	Preset input terminal	No use
P00E	Ch7 preset 24V	Ch6 preset 24V	Preset input terminal	Preset input terminal
P00F	Ch8 preset 24V	-	Preset input terminal	No use
COM0	Input common	Input common	Input common	Input common

Economic type
(XBC-E)

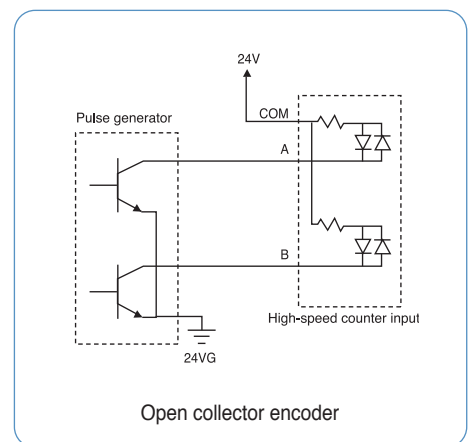
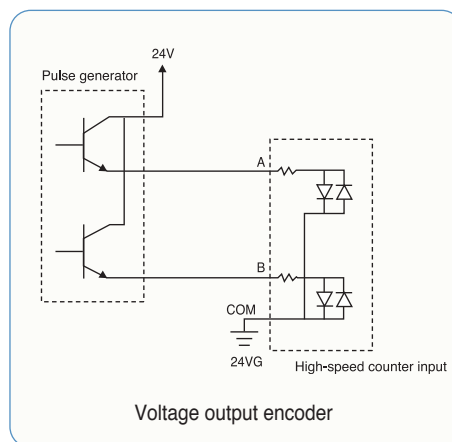
Terminal No.	Name		Usage	
	1-phase	2-Phase	1-phase	2-Phase
P000	Ch0 counter input	Ch0 A-phase input	Counter input terminal	A-phase input
P001	Ch1 counter input	Ch0 B-phase input	Counter input terminal	B-phase input
P002	Ch2 counter input	Ch2 A-phase input	Counter input terminal	A-phase input
P003	Ch3 counter input	Ch2 B-phase input	Counter input terminal	B-phase input
P004	Ch0 preset 24V	Ch0 preset 24V	Preset input terminal	Preset input terminal
P005	Ch1 preset 24V	-	Preset input terminal	No use
P006	Ch2 preset 24V	Ch2 preset 24V	Preset input terminal	Preset input terminal
P007	Ch4 preset 24V	-	Preset input terminal	No use
COM0	Input common	Input common	Common terminal	Common terminal

Parts designation | Modular type unit

Modular type
(XBM)

Terminal No.	Name		Usage	
	1-phase	2-Phase	1-phase	2-Phase
P000	Ch0 counter input	Ch0 A-phase input	Counter input terminal	A-phase input
P001	Ch1 counter input	Ch0 B-phase input	Counter input terminal	B-phase input
P002	Ch2 counter input	Ch2 A-phase input	Counter input terminal	A-phase input
P003	Ch3 counter input	Ch2 B-phase input	Counter input terminal	B-phase input
P004	Ch0 preset 24V	Ch0 preset 24V	Preset input terminal	Preset input terminal
P005	Ch1 preset 24V	-	Preset input terminal	No use
P006	Ch2 preset 24V	Ch2 preset 24V	Preset input terminal	Preset input terminal
P007	Ch3 preset 24V	-	Preset input terminal	No use
COM0	Input common	Input common	Common terminal	Common terminal

Wiring



Parts designation | Block type unit

Performance specification

Classification	Description		
	Block type unit		Modular type
	H-type	SU-type	S-type
No. of control axis	2 axes		
Interpolation	2-axis linear interpolation		
Control mode	Position control, Speed control, Speed/Position switching control, Position /Speed switching control		
Control unit	Pulse		
Positioning data	30-step pattern for each axis (XBC: 80step) (operation step number : 1~30, XBC : 1~80)		
Positioning monitor	Dedicated monitoring function for positioning in XG5000		
Back-up	Permanent backup of downloaded parameter (FLASH memory)		
	2-month Super Cap.backup of parameter / Data modified during operation(XBM) battery back-up (XBC)		
	Permanent backup of parameter / Data in RAM by instruction (FLASH memory)		
Positioning	Positioning method	Absolute/incremental method	
	Positioning range	-2,147,483,648 ~ 2,147,483,647	
	Speed range	1 ~ 100,000 (pulse/sec)	
	Acceleration / Deceleration type	Trapezoidal acceleration/Deceleration	
	Acceleration / Deceleration time	1 ~ 10,000 _{ms} (4 patterns each can be set)	
Max. output pulse	100 Kpps		
Max. distance of connection	2m		

※ Economic block type unit (E-type) dose not support built-in positioning functions

Electrical specification

	Signal	Rated input voltage	Load voltage range	Max. load current / Inrush current	Max. voltage drop (On)	Leakage current (Off)	Response time
Output	Output pulse	DC 5~24V	DC 4.75~26.4V	100mA (1 point) 1A/10ms or less	DC 0.3V or less	0.1mA or less	100 _{μs} or less
	Signal	Rated input voltage/ Current	Load voltage range	On voltage / Current	Off voltage / Current	Input resistance	Response time
Input	External high limit	DC 24V/7mA	DC 20.4 ~ 28.8V	DC 19V/5.7mA or more	DC 6V/1.8mA or less	3.3Ω	0.5ms or less
	External low limit			DC 19V/3.4mA or more	DC 6V/1.1mA or less		
	Approximate zero zero	DC 24V/4mA				5.6Ω	

I/O specifications | Block type unit

High performance type (XBC/XEC-H)

Item	XBC pin number (XEC pin number)		Signal name		Direction of positioning signal to external	Operating condition
	X axis	Y axis				
Input	P00008 (%IX0.0.8)	P0000A (%IX0.0.10)	Limit L	Low limit	←	4mA / 24V
	P00009 (%IX0.0.9)	P0000B (%IX0.0.11)	Limit H	High limit	←	
	P0000C (%IX0.0.12)	P0000E (%IX0.0.14)	DOG	Near point	←	
	P0000D (%IX0.0.13)	P0000F (%IX0.0.15)	Origin	Zero signal (+24V)	←	
	COM		Input COM	Common	←	
Output	P00020 (%QX0.0.0)	P00021 (%QX0.0.1)	Pulse	Pulse/CW (Open collector)	→	DC 12~24V
	P00022 (%QX0.0.2)	P00023 (%QX0.0.3)	Direction	Direction/CCW (Open collector)	→	
	P		DC 12V~24V	External power supply	→	
	COM 0~3		Output COM	External 24V GND	→	

Standard type (XBC/XEC-SU)

Item	XBC pin number		Signal name		Direction of positioning signal to external	Operating condition
	X axis	Y axis				
Input	P00008 (%IX0.0.8)	P0000A (%IX0.0.10)	Limit L	Low limit	←	4mA / 24V
	P00009 (%IX0.0.9)	P0000B (%IX0.0.11)	Limit H	High limit	←	
	P0000C (%IX0.0.12)	P0000E (%IX0.0.14)	DOG	Near point	←	
	P0000D (%IX0.0.13)	P0000F (%IX0.0.15)	Origin	Zero signal (+24V)	←	
	COM		Input COM	Common	←	
Output	P00040 (%QX0.0.0)	P00041 (%QX0.0.1)	Pulse	Pulse/CW (Open collector)	→	DC 12~24V
	P00042 (%QX0.0.2)	P00043 (%QX0.0.3)	Direction	Direction/CCW (Open collector)	→	
	P		DC 12V~24V	External power supply	→	
	COM 0~3		Output COM	External 24V GND	→	

I/O specifications | Modular type unit

Standard type

Item	XBM pin number		Signal name		Direction of positioning signal to external	Operating condition
	X axis	Y axis				
Input	P00000	P00002	Limit L	Low limit	←	Edge
	P00001	P00003	Limit H	High limit	←	Edge
	P00004	P00006	DOG	Near point	←	Edge
	P00005	P00007	Origin	Zero signal (+24V)	←	Edge
	COM		Input COM	Common	←	-
Output	P00020	P00021	Pulse	Pulse/CW (Open collector)	→	-
	P00022	P00023	Direction	Direction/CCW (Open collector)	→	-
	12/24V		DC 12/24V	External power supply	→	-
	COM		Output COM	External 24V GND	→	-

I/O specifications | Block type unit

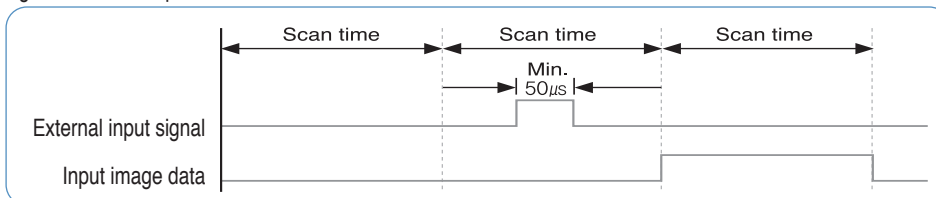
Performance specification (PID)

Classification	Description		
	Block type unit		Modular type
	H	SU	S
No. of control loop	16-loop independent control		
Control mode	P control, PI control, PD control, PID control		
Control period	10ms ~ 6,553.5ms (Setting unit: 0.1ms)		
Function	Forward/Reverse Mixed control	Switching control direction automatically when exceeding dead band	
	Cascade	Improved control precision by serial connection between master loop and slave loop	
	SV Ramp	Preventing overload caused by excessive SV change by setting variation slope	
	Alarm	Improved control stability with various alarm function such as MV high limit / Low limit, PV high limit/low limit, PV variation width	
	Auto tuning	Auto tuning with improved auto-tuning algorithm	
	Additional function	PWM output, PV Tracking, ΔMV, ΔPV, etc	

※ Economic block type unit (E-type) dose not support built-in PID functions

Pulse catch

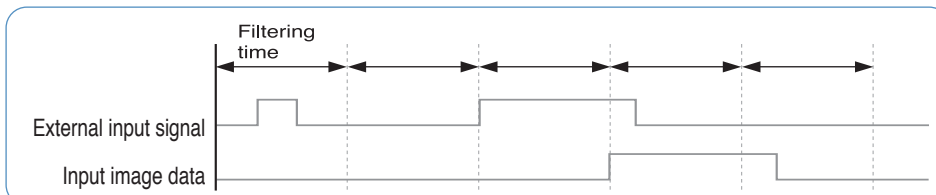
When On-condition time of input signal is shorter than 1 scan time (Min. 50μs), Pulse catch processes the input signal as normal input.



Item	Description			
	Block type unit			Modular type
	H	SU	E	S
Pulse catch	10μs: 4 points (P00000~P00003)	10μs: 2 points (P00000~P00001)	50μs: 4 points (P00000~P00003)	50μs: 8 points (P00000~P00007)
	50μs: 4 points (P00004~P00007)	50μs: 6 points (P00002~P00007)		

Input filter

Input filter prevents processing of the input signal that is shorter than the filtering time. (Filtering time is set by parameter) In the application site where noise is frequently generated, input filter prevents wrong input caused by noise.



Classification	Description			
	Block type unit			Modular type
	H	SU	E	S
No. of setting points	Every input contact			
Input filtering time setting	Assigning for each module			
Setting range	1 ~ 100ms (1, 3, 5, 10, 20, 70, 100)			

Task

Task function is the processing method of internal/external signal generated periodically or aperiodically. It stops operation of scan program for the moment and then execute the assigned task.

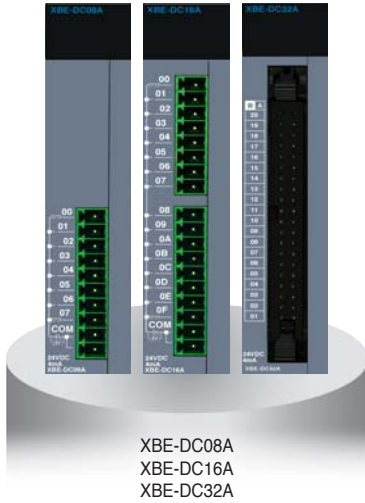
Classification	Description			
	Block type unit			Modular type
	H	SU	E	S
Initial task	1(_INT)			
Cyclic task	8			
I/O task	8	8	4	8
Internal device task	8			
External interrupt	10 μ S: 4 points (P00000~P00003) 50 μ S: 4 points (P00004~P00007)	10 μ S: 2 points (P00000~P00001) 50 μ S: 6 points (P00002~P00007)	50 μ S: 4 points (P00000~P00003)	50 μ S: 8 points (P00000~P00007)

RTC

RTC function is for time management of system and error log. RTC function is executed steadily when power is off or instantaneous power cut status. Current time of RTC is renewed every scan by system operation status information flag.

Classification	Description			
	Block type unit			Modular type
	H	SU	E	S
RTC	Built-in	Option module	Option module	Not available

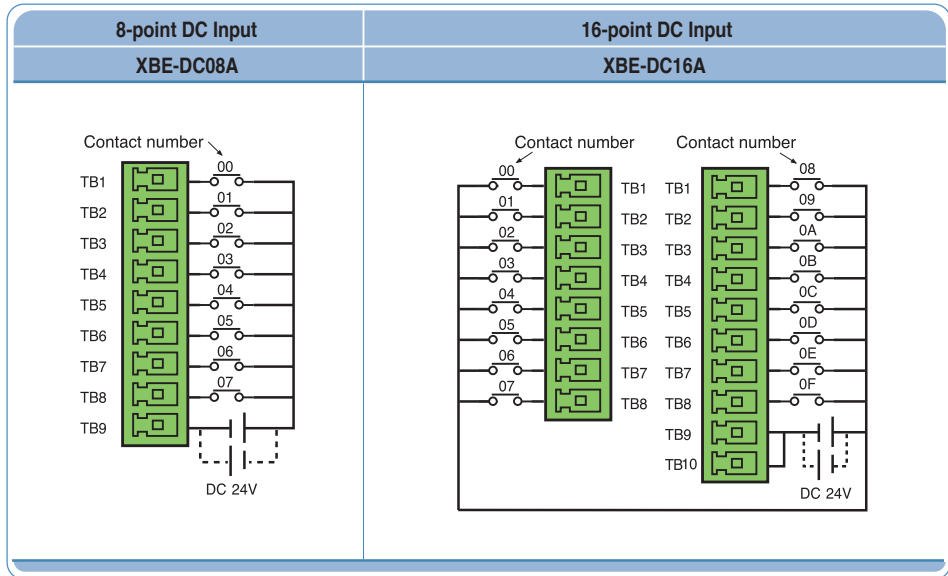
Specification



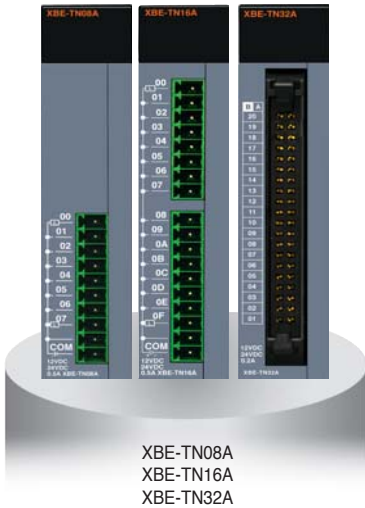
Specification	Model	XBE-DC08A	XBE-DC16A	XBE-DC32A
Input point		8 points	16 points	32 points
Rated input voltage/current		DC 24V / 4mA		
Operation voltage range		DC 20.4 ~ 28.8V (Ripple rate < 5%)		
Input resistance		5.6kΩ		
Response time	Off → On	1 / 3 / 5 / 10 / 20 / 70 / 100ms (setting by CPU parameter) Initial value: 3ms		
	On → Off			
Insulation pressure		AC 560Vrms / 3 Cycle (altitude 2000m)		
Insulation resistance		10MΩ or more by megger		
COMMON method		8 points / COM	16 points / COM	32 points / COM
Internal current consumption		30mA	40mA	50mA

Wiring

(XBE-DC08A/DC16A)



Specification

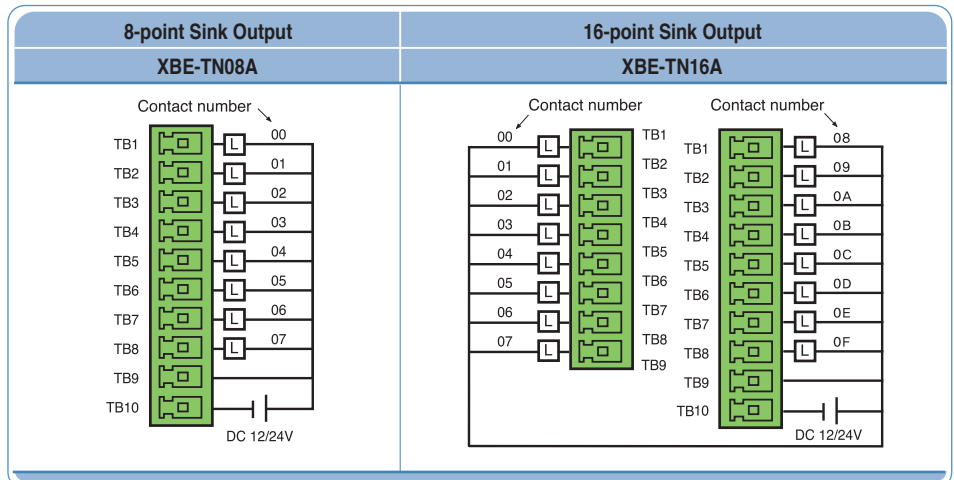


Specification	Model	XBE-TN08A	XBE-TP08A	XBE-TN16A	XBE-TP16A	XBE-TN32A	XBE-TP32A
Type		Sink	Source	Sink	Source	Sink	Source
Output point		8 point		16 point		32 point	
Rated load voltage		DC 12 / 24V					
Load voltage range		DC 10.2 ~ 26.4 V					
Max. load current		0.2A / 1point		0.2A / 1point, 2A / COM			
Off leakage current		0.1mA or less					
Max. voltage drop (On)		DC 0.4V					
Response time	Off → On	1mA or less					
	On → Off	1mA or less (Rated load, resistive load)					
Common method		8 points / COM		16 points / COM		32 points / COM	
Internal current consumption		40mA		60mA		120mA	
External power supply	Voltage	DC 12 / 24V ± 10% (Ripple voltage ≤ 4 Vp-p)					
	Current	10mA or less (DC 24V connection)				20mA or less (DC 24V connection)	

Item		XBF-AD04C	
Analog range	Item	Voltage	
	Range	DC 1 ~ 5V, DC 0 ~ 5V, DC 0 ~ 10V, DC -10 ~ 10V (Input resistance 1MΩ min)	Current DC 4 ~ 20mA DC 0 ~ 20mA (Input resistance 250MΩ)
Digital Output Range	Type	16bit binary data (Data : 14bit)	
	Unsigned value	0 ~ 16000	
	Signed value	-8000 ~ 8000	
	Precise value	1000 ~ 5000 (1 ~ 5V), 0 ~ 5000 (0 ~ 5V), 0 ~ 10000 (0 ~ 10V)	4000 ~ 20000 (4 ~ 20mA), 0 ~ 20000 (0 ~ 20mA)
Resolution		0 ~ 10000 1/16000	
Max. conversion speed		1ms/channel	
Max. absolute input		DC ±15V	DC ±3mA
Analog Input Channels		4 channel/module	
Insulation method		Photo-coupler insulation between input terminal and PLC power (no insulation between channels)	
Connection terminal		15-point terminal block	
Occupied I/O points		Fixed type : 64points	
Current consumption	DC 5V	110mA	
	DC 24V	100mA	

Wiring

(XBE-TN08A/TN16A)



APPLICATION

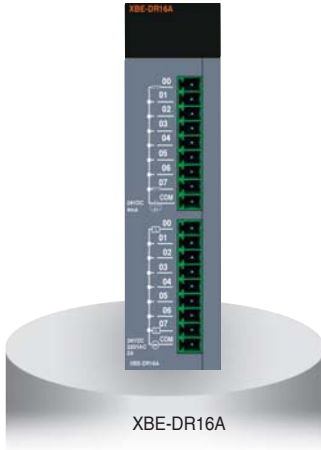
Specification



Specification	Model	XBE-RY08A	XBE-RY16A
Output point		8 points	16 points
Insulation method		Relay insulation	
Rated input voltage/Current		DC 24V 2A (resistive load)/AC 220V 2A (COS ψ = 1), 5A /COM	
Min. load voltage/Current		DC 5V 1mA	
Max. load voltage		AC 250V, DC 125V	
Off leakage current		0.1mA (AC 220V, 60Hz)	
Max. on/Off frequency		3,600 times / hr	
Surge absorber		None	
Service life	Mechanical	20million times or more	
	Electrical	Rated load voltage/Current 100,000 times or more	
		AC 200V/1.5A, AC 240V/1A (COS ψ = 0.7) 100,000 times or more	
		AC 200V/1A, AC 240V/0.5 (COS ψ = 0.35) 100,000 tiems or more	
Response time	Off → On	10ms or less	
	On → Off	12ms or less	
COMMON method		8 points / 1COM	
Internal current consumption		230mA	420mA
Operation indicator		Output On, LED On	
External connection method		9-pin terminal block connector	9-pin terminal block connector X 2

Item		XBF-DV04C	XBF-DC04C
Analog range	Item	Voltage	
	Range	DC 1 ~ 5V, DC 0 ~ 5V, DC 0 ~ 10V, DC -10 ~ 10V (Input resistance 1k Ω or more)	DC 4 ~ 20mA DC 0 ~ 20mA (Input resistance 600M Ω or less)
Digital Output	Type	16bit binary data (Data : 14bit)	
	Range	Unsigned value	
		Signed value	
		Precise value	1000 ~ 5000 (1 ~ 5V), 0 ~ 5000 (0 ~ 5V), 0 ~ 10000 (0 ~ 10V)
Percentile value	0 ~ 10000 1/16000		
Resolution	0.250mV (1 ~ 5V) 0.3125mV (0 ~ 5V) 0.625m V(0 ~ 10V) 1.250mV (\pm 10V)	1.0 μ A (4 ~ 20mA) 1.25 μ A (0 ~ 20mA)	
Max. conversion speed	1ms/channel		
Analog Input Channels	4 channel/module		
Insulation method	Photo-coupler insulation between output terminal and PLC power (no insulation between channels)		
Connection terminal	11-point terminal block		
Occupied I/O points	Fixed type : 64points		
Current consumption	DC 5V	75mA	
	DC 24V	170mA	

DC Input specification



XBE-DR16A

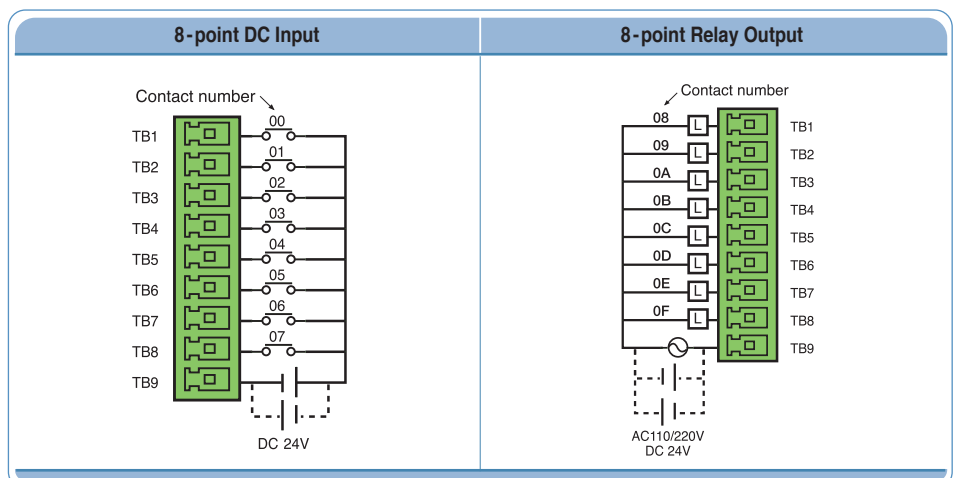
Relay output specification

Specification	Model	DC Input (XBE-DR16A)
Input point		8 points
Insulation method		Photocoupler
Rated input voltage		DC 24V
Rated input current		4mA
Operation voltage range		DC 20.4 ~ 28.8V (Ripple rate < 5%)
On voltage/On current		DC 19V or more/3mA or more
Off voltage/Off current		DC 6V or less/1mA or less
Input resistance		5.6kΩ
Response time	Off → On On → Off	1/3/5/10/20/70/100ms (setting by CPU parameter) init value: 3ms
COMMON method		8 points/COM
Weight		81g

Specification	Model	Relay Output (XBE-DR16A)
Output point		8 points
Insulation method		Relay insulation
Rated input voltage/Current		DC 24V 2A (resistive load)/AC 220V 2A (COSψ = 1), 5A /COM
Min. load voltage/Current		DC 5V 1mA
Max. load voltage		AC 250V, DC 125V
Off leakage current		0.1mA (AC 220V, 60Hz)
Max. on/Off frequency		3,600 times/hr
Surge absorber		None
Service life	Mechanical	20 million times or more
	Electrical	Rated load voltage/Current 100,000 times or more
		AC 200V/1.5A, AC 240V/1A (COSψ = 0.7) 100,000 times or more
		AC 200V/1A, AC 240V/0.5 (COSψ = 0.35) 100,000 tiems or more
DC 24V/1A, DC 100V/0.1A (L / R = 7ms) 100,000 times or more		
Response time	Off → On	10ms or less
	On → Off	12ms or less
COMMON method		8 points/1COM
Internal current consumption		250mA
Operation indicator		Output On, LED On
External connection method		9-pin terminal block connector

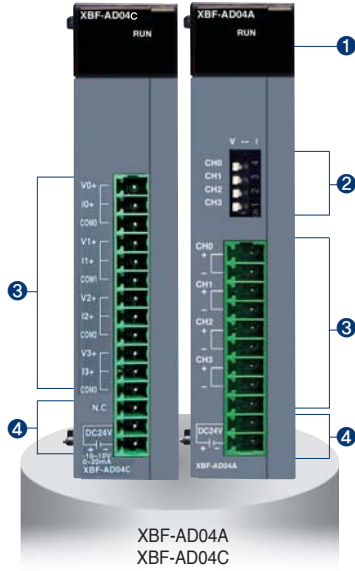
Wiring

(XBE-DR16A)



APPLICATION

Specification

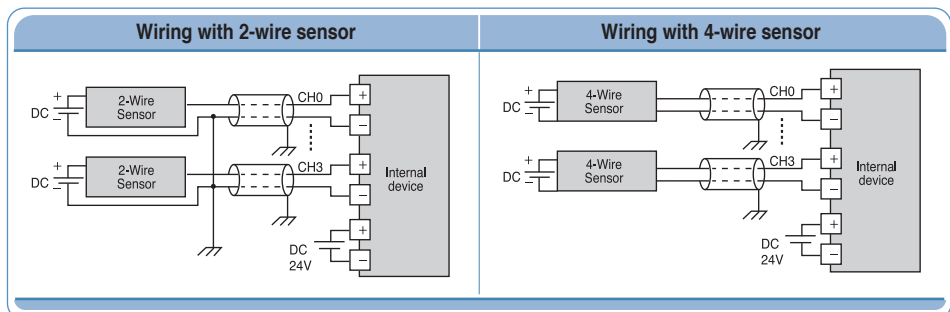


Item		XBF-AD04A		XBF-AD04C		XBF-AD08A		
Analog range	Item	Voltage	Current	Voltage	Current	Voltage	Current	
	Range	DC 0~10V (input resistance : 1MΩ min.)	DC 4~20mA, DC 0~20mA (input resistance: 250Ω)	DC 1~5V DC 0~5V DC 0~10V DC -10~10V (Input resistance : 1MΩ min)	DC 4~20mA DC 0~20mA (Input resistance : 250MΩ)	DC 1~5V DC 0~5V DC 0~10V (Input resistance : 250MΩ)	DC 4~20mA, DC 0~20mA (input resistance: 250Ω)	
Digital output	Type	12bit binary data		16bit binary data (Data : 14bit)		12bit binary data		
	Range	Unsigned value	0~4000		0 ~ 16000		0~4000	
		Signed value	-2000~2000		-8000~8000		-2000~2000	
		Precise value	0~1000	4000~2000/ 0~2000	100~5000 (1~5V) 0~5000 (0~5V) 0~10000 (0~5V) -10000~10000 (±10V)	4000~20000 (4~20mA) 0~20000 (0~20mA)	100~500 (DC 1~5V) 0~500 (DC 0~5V) 0~1000 (DC 0~10V)	4000~2000 (DC 4~20mA) 0~2000 (DC 0~20mA)
Percentile value	0~1000		0~10000		0~1000			
Resolution	2.5mV (1/4000)	5μA (1/4000)	1/16000		1.25mV (DC 1~5V, 0~5V) 2.5mV (DC 0~10V)	5μA (DC 4~20mA, 0~20mA)		
Max. conversion speed	1.5ms / channel		1ms / channel		1.5ms / channel			
Max. absolute input	±15V		±25mA		DC±15V / DC±3mA	±15V / ±25mA		
Analog Input channels	4 channel/module		4 channel/module		8 channel/module			
Insulation method	Photocoupler insulation between I/O terminal and power supply		Photo-coupler insulation between input terminal and PLC power (No insulation between channels)		Photocoupler insulation between I/O terminal and power supply			
Connection terminal	11-point terminal block		15-point terminal block		11-point terminal block			
Occupied I/O points	Fixed type : 64 points							
Current consumption	DC 5V	120mA	110mA	105mA				
	DC 24V	62mA	100mA	85mA				

Names and Functions

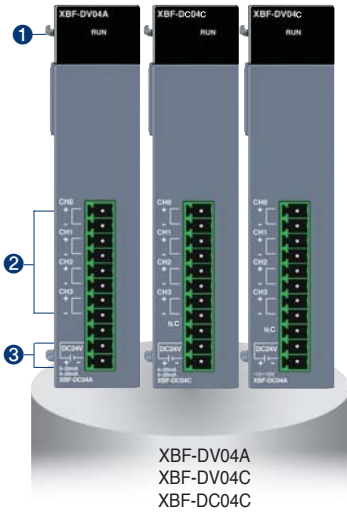
No.	Name	Descriptions
1	RUN LED	<ul style="list-style-type: none"> ▶ Indicates condition of module • LED On: Normal condition • LED On and Off: Flickering • LED Off: Power Off or module malfunction
2	Input selection S/W	<ul style="list-style-type: none"> ▶ Voltage/Current selection switch • V: Voltage input selection • I: Current input selection
3	Terminal block	▶ External device connection
4	External power supply terminal	▶ External DC 24V input

Wiring



※ Use 22AWG, 2 conductor, twist shielded cable when wiring between analog module and external device.

Specification

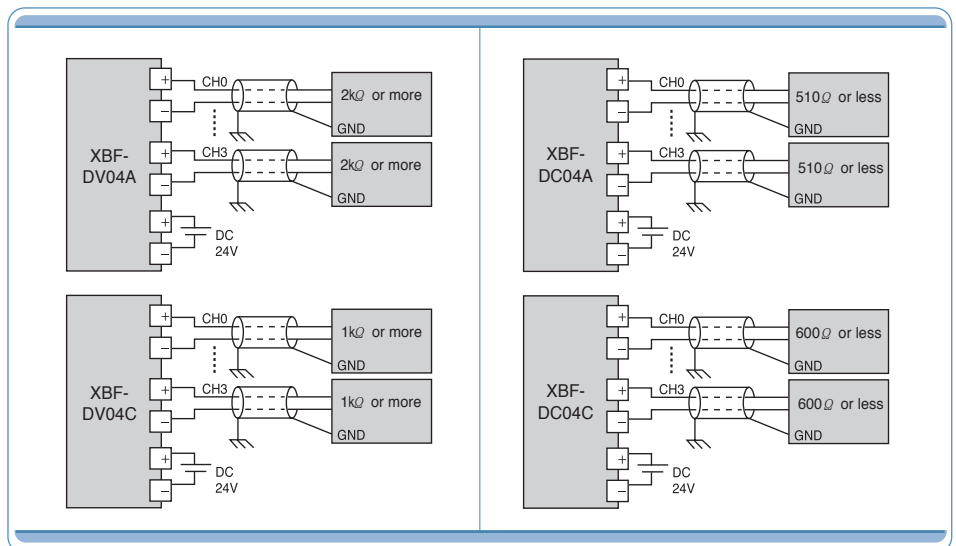


Item	XBF-DV04A	XBF-DV04C	XBF-DC04C	XBF-DC04A	
Analog range	DC 0 ~ 10 V (Load resistance $\geq 2k\Omega$)	DC 1 ~ 5V DC 0 ~ 5V DC 0 ~ 10V DC -10 ~ 10V (Input resistance : 1k Ω or more)	DC 4 ~ 20mA DC 0 ~ 20mA (Input resistance : 600M Ω or less)	4 ~ 20mA / 0 ~ 20mA (Load resistance $\leq 510\Omega$)	
Analog range Selection	-	-	-	XG 5000 I/O parameter	
Digital data	Output range	0 ~ 10 V	-	4 ~ 20mA/0 ~ 20mA	
	Unsigned value	0 ~ 4000	0 ~ 16000	0 ~ 4000	
	Signed value	- 2000 ~ 2000	- 8000 ~ 8000	- 2000 ~ 2000	
	Precise value	0 ~ 1000	1000~5000 (1~5V) 0~5000 (0~5V) 0~10000 (0~10V) -1000~10000 ($\pm 10V$)	4000~20000 (4~20mA) 0~20000 (0~20mA)	400 ~ 2000/0 ~ 2000
	Percentile value	0~1000	0~10000	0~1000	
Data format	Data format of digital input is set by user program or I/O parameter (Setting for each channel is available.)				
Resolution	Resolution (1/4000)	1/1600		Resolution (1/4000)	
	2.5mV	0.250m (1~5V) 0.3125m (0~5V) 0.625m (0~10V) 1.250m ($\pm 10V$)	1.0 μ A (4~20mA) 1.25 μ A (0~20mA)	5 μ A	
Max. conversion speed	1ms/channel	1ms/channel		1ms/channel	
Max. absolute output	$\pm 15V$	-		$\pm 25mA$	
Accuracy	$\pm 0.5\%$ or less	-		$\pm 0.5\%$ or less	
Analog output channels	4 channel/module	4 channel/module		4 channel/module	
Insulation method	Photocoupler insulation between I/O terminal and power supply	Photo-coupler insulation between output terminal and PLC power (no insulation between channels)		Photocoupler insulation between I/O terminal and power supply	
Connection terminal	11-point terminal block				
Occupied I/O points	Fixed type: 64 points				
Current consumption	DC 5V	110mA	75mA	110mA	
	DC 24V	70mA	170mA	120mA	

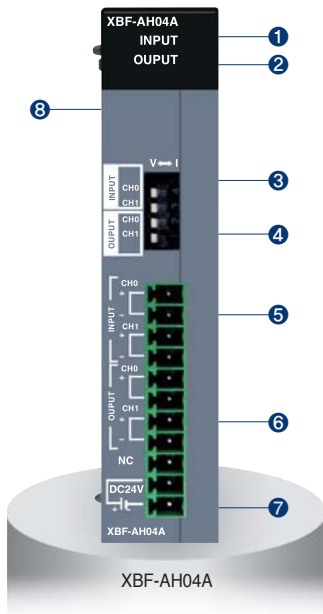
Names and Functions

No.	Name	Descriptions
①	RUN LED	<ul style="list-style-type: none"> Indicates condition of module LED On: Normal condition LED On and Off: Flickering LED Off: Power Off or module malfunction
②	Terminal block	External device connection
③	External power supply terminal	External DC 24V input

Wiring



Specification

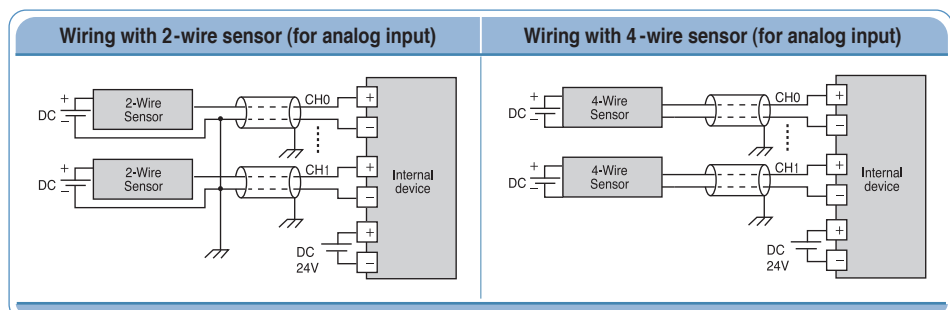


Item	XBF-AH04A	
	Input	Output
Analog channel	2 channels	
Analog range	DC 1 ~ 5V, DC 0 ~ 5V, DC 0 ~ 10V (Input resistance: 1 M Ω min.) DC 4 ~ 20mA, DC 0 ~ 20mA (Input resistance 250 Ω)	DC 1 ~ 5V, DC 0 ~ 5V, DC 0 ~ 10V (Load resistance \geq 2k Ω) DC 4 ~ 20mA, DC 0 ~ 20mA (Load resistance \leq 510 Ω)
Analog range selection	XG 5000 I/O parameter and External switch	
Digital data	Unsigned value	0 ~ 4000
	Signed value	-2000 ~ 2000
	Precise value	100 ~ 500 (DC 1 ~ 5V), 0 ~ 500 (DC 0 ~ 5V), 0 ~ 1000 (DC 0 ~ 10V) 400 ~ 2000 (DC 4 ~ 20mA), 0 ~ 2000 (DC 0 ~ 20mA)
	Percentile value	0 ~ 1000
Resolution (1/4000)	1.25mV (DC 1~5V, 0~5V), 2.5mV (DC 0~10V) 5 μ A (DC 4~20mA, 0~20mA)	
Max. conversion speed	\pm 15V, 25mA	
Max. absolute output	1ms / Channel	
Accuracy	\pm 0.5% or less	
Insulation method	Photocoupler insulation between I/O terminal and power supply	
Connection terminal	11-point terminal block	
Occupied I/O points	Fixed type: 64 points	
Current consumption	DC 5V	120mA
	DC 24V	130mA

Names and Functions

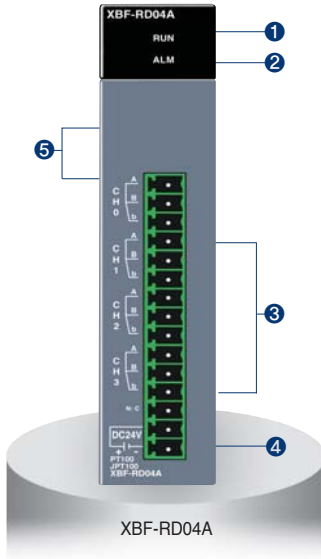
No.	Name	Descriptions
1	INPUT LED	<ul style="list-style-type: none"> Indicates input condition of module LED On: Normal condition LED On and Off: Flickering LED Off: Power Off or module malfunction
2	OUTPUT LED	<ul style="list-style-type: none"> Indicates output condition of module LED On: Normal condition LED On and Off: Flickering LED Off: Power Off or module malfunction
3	Input selection S/W	▶ Voltage / Current selection switch for input
4	Output selection S/W	▶ Voltage / Current selection switch for output
5	Terminal block	▶ Terminal for external input device
6		▶ Terminal for external output device
7	External power supply terminal	▶ Terminal for external DC 24V input
8	Expansion connector	▶ Terminal for expansion

Wiring



※ Use 22AWG, 2 conductor, twist shielded cable when wiring between analog module and external device.

Specification

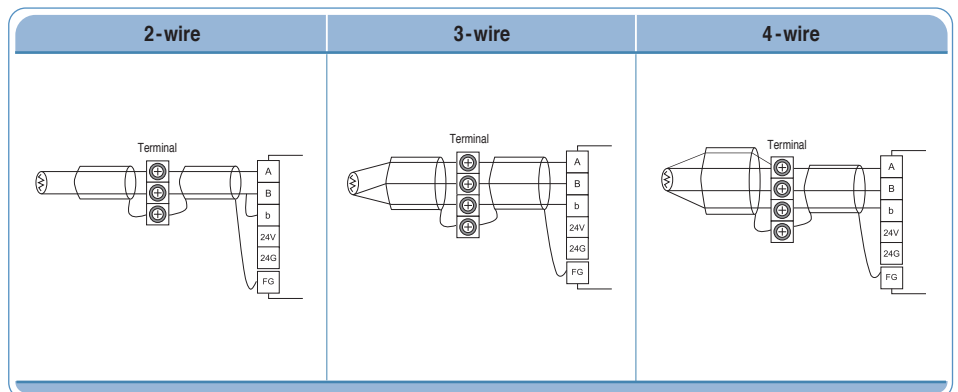


Item		XBF-RD04A
Number of channels		4
Sensor type	PT 100	JIS C1804-1997
	JPT 100	JIS C1604-1981, KS C1603-1991
Temperature range	PT 100	- 200 ~ 600°C
	JPT 100	- 200 ~ 600°C
Digital output	PT 100	- 2000 ~ 6000
	JPT 100	- 2000 ~ 6000
	Scaling	0 ~ 4000
Accuracy	25°C	±0.3% or less
	0 ~ 55°C	±0.5% or less
Conversion speed		40ms / Ch
Wiring method		3-wire
Current consumption	DC 5V	100mA
	DC 24V	100mA

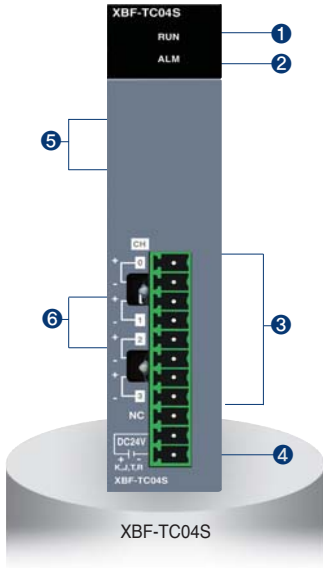
Names and Functions

No.	Name	Descriptions
1	RUN LED	<ul style="list-style-type: none"> ▶ Displays the hardware operation status (Fatal fault) <ul style="list-style-type: none"> • On: Normal status • Flickering: Error (0.2s flickering) • Off: hardware error or power off
2	ALM LED	<ul style="list-style-type: none"> ▶ Displays the status of the channels (Light fault) <ul style="list-style-type: none"> • Flickering: Line disconnection (1s flickering) • Off: Normal status
3	Terminal block	▶ 3-wire RTD sensors can be connected
4	External power terminal	▶ Supplies the external DC 24V
5	Expansion connector	▶ Connects the module with an expansion module

Wiring



Specification

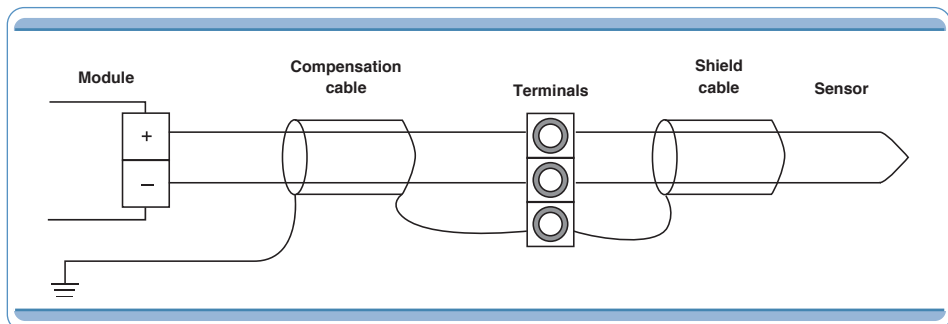


Item		XBF-TC04S
Number of channels		4
Input sensor type		Thermocouple K/J/T/R JIS C1602-1995
Temperature input range	K	- 200.0°C ~ 1300.0°C (-328.0°F ~ 2372.0°F)
	J	- 200.0°C ~ 1200.0°C (-328.0°F ~ 2192.0°F)
	T	- 200.0°C ~ 400.0°C (-328.0°F ~ 752.0°F)
	R	0.0°C ~ 1700.0°C (32.0°F ~ 3092.0°F)
Digital output	Temperature display unit	Display down to one decimal place K, J, T: 0.1°C R: 0.5°C
	Scaling display (Defined by user)	Unsigned scaling (0 ~ 65535) Signed scaling (-32768 ~ 32767)
Accuracy	Normal temperature (25°C)	±0.2%
	Temperature coefficient (0 ~ 55°C)	±100 ppm / °C
Max. conversion speed		50ms / Channel
Warming-up time		15 minutes or more
Terminal		11-point terminal
I/O points occupied		64 points
Current consumption	DC 5V	100mA
	DC 24V	100mA

Names and Functions

No.	Name	Descriptions
①	RUN LED	▶ Displays the hardware operation status (Fatal fault) • On: Normal status • Flickering: Error (0.2s flickering) • Off: hardware error or power off
②	ALM LED	▶ Displays the status of the channels (Light fault) • Flickering: Line disconnection (1s flickering) • Off: Normal status
③	Terminal block	▶ Terminals to connect the thermo-couple sensor
④	External power terminal	▶ Terminals to supply the external DC 24V
⑥	RJC	▶ Device for Reference Junction Compensation

Wiring

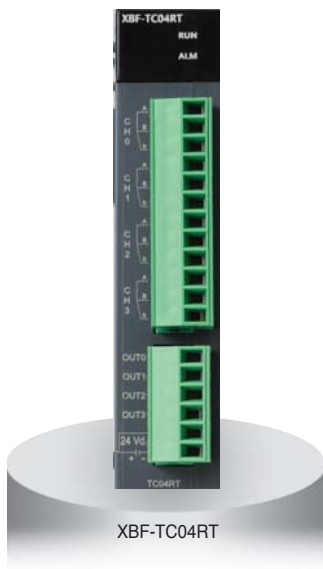


Specification



Item		XBF-TC04TT	
Control loop		4 loop	
Thermocouple type and input range	K	-200.0 ~ 1300.0 °C	
		0.0 ~ 500.0 °C	
	J	-200.0 ~ 1200.0 °C	
T	0.0 ~ 500.0 °C		
	-200.0 ~ 800 °C		
Precision	Standard precision	±0.2% or less (25 °C, normal temperature, except -200~-100 °C for the T type)	
	Temperature coefficient	±100ppm/°C (0.01%/°C)	
Cold junction compensation	Compensation method	Automatic compensation by RJC sensing	
	Compensation degree	±2.0 °C	
Sampling period		500ms/ 4 loop	
Control method		PID CONTROL, ON/OFF CONTROL	
Control parameter	Target value (SV)	Setting within range according to input type (temperature unit setting)	
	Proportional gain	0: ON/OFF CONTROL, REAL	
	Integral time	0: Except integral control, REAL	
	Derivative time	0: Except derivative control, REAL	
Transistor output	Output point	4	
	Rated load voltage	DC 24 V	
	Max. load current	0.1 A / Output point	
	Max. voltage drop when on	DC 1.2 V or less	
	Leakage current when off	0.1 mA or less	
	Response time	On => Off	1 ms or less
		Off => On	1 ms or less
Control output cycle	0.5 ~ 120.0 sec (Setting unit: 0.5 sec.)		
Time proportional resolution	Larger one of either 10 ms or 0.05% of the full-scale		
Insulation	Between input channels	Photo relay	Withstanding voltage: 400V AC, 50/60Hz 1min, leakage current 10mA or less
	Input terminal-PLC power	Photo relay	Insulation resistor: 500V DC, 10 M Ω or above
	Output terminal-PLC power	Non-insulation	
	Between output channels	Non-insulation	
Averaging function	Weighted average	0 ~ 99% (setting range)	
	Moving average	0 ~ 99 times (setting range)	
Warm-up		20 minutes or above	
Maximum rate of ambient temperature changing		0.5 °C/min (30 °C/hour) or less	
Access terminal		16 point terminal (10 point terminal 1ea, 6 point terminal 1ea)	
IO occupation point		Fixed: 64 points	
Max. no. of installation		XBM-DxxxS type: 7ea, XB(E)C-DxxxH type: 10ea, XB(E)C-DxxxSU: 7ea, XB(E)C-DxxxU: 10ea	
Power supply		5 V, DC 24 V	
Current consumed		Internal DC 5 V : 120 mA, External DC 24 V : 100 mA	

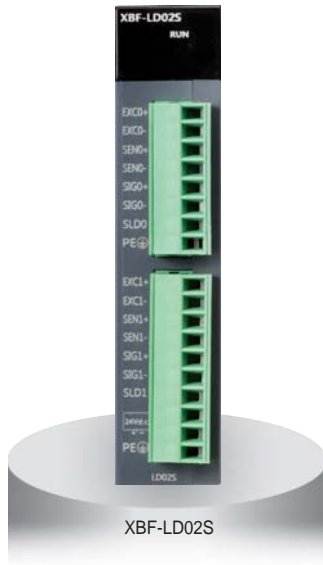
Specification



XBF-TC04RT

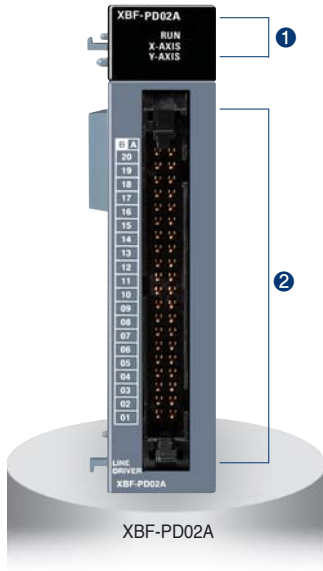
Item		XBF-TC04RT		
Control loop		4 loop		
RTD type and input range	Pt100	-200.0 ~ 850.0 °C		
	JPt100	-200.0 ~ 600.0 °C		
Precision	Standard precision	±0.2% or less (25 °C, normal temperature)		
	Temperature coefficient	±100ppm/ °C (0.01%/ °C)		
Sampling period		500ms/ 4 loop		
Control method		PID CONTROL, ON/OFF CONTROL		
Control parameter	Target value (SV)	Setting within range according to input type (temperature unit setting)		
	Proportional gain	0: ON/OFF CONTROL, REAL		
	Integral time	0: Except integral control, REAL		
	Derivative time	0: Except derivative control, REAL		
Transistor output	Output point	4		
	Rated load voltage	DC 24 V		
	Max. load current	0.1 A/Output point		
	Max. voltage drop when on	DC 1.2 V or less		
	Leakage current when off	0.1 mA or less		
	Response time	On => Off	1 ms or less	
		Off => On	1 ms or less	
	Control output cycle	0.5 ~ 120.0 sec (Setting unit: 0.5 sec.)		
Time proportional resolution	Larger one of either 10 ms or 0.05% of the full-scale			
Insulation	Between input channels	Photo relay	Withstanding voltage: 1500V AC, 50/60Hz 1min, leakage current 10mA or less	
	Input terminal- PLC power	Photo relay	Insulation resistor: 500V DC, 10 M Ω or above	
	Output terminal- PLC power Between output channels	Non-insulation		
Averaging function	Weighted average	0 ~ 99% (setting range)		
	Moving average	0 ~ 99 times (setting range)		
Access terminal		18 point terminal (12 point terminal 1ea, 6 point terminal 1ea)		
IO occupation point		Fixed: 64 points		
Max. no. of installation		XBM-DxxxS type: 7ea, XB(E)C-DxxxH type: 10ea, XB(E)C-DxxxSU: 7ea, XB(E)C-DxxxU: 10ea		
Power supply		5 V, DC 24 V		
Current consumed		Internal DC 5 V : 120 mA, External DC 24 V : 100 mA		

Specification



Item	Specifications			
Input Channel	2 Channel (Insulation between Channels)			
Load Cell Input Voltage	5VDC $\pm 5\%$, (8 per 350 Ω load cell channel)			
Load Cell Type	Four-wire or Six-wire			
Resolution	1/40000			
Analog Input Range	0.0~6.0 mV			
Load Cell Output Sensitivity	0.125 μV (when the rated output of the load cell is 0.0 ~ 1.0 mV/ V)			
Input Accuracy	$\pm 0.01\%$ or below (nonlinear accuracy, 25°C) Zero Drift: $\pm 0.25^\circ\text{C}$, Gain Drift: $\pm 15\text{ppm}/^\circ\text{C}$			
Sampling Cycle (per channel)	5 ms			
Insulation	Classification	Insulation Method	Insulation Voltage Resistance (Internal Test Specifications)	Insulation Resistance
	Input Terminal and Internal Circuits	Photo Coupler	AC 550 V 50/60 Hz 1 minute, Leakage 10 mA or below	DC500 V, 10 M Ω or above
Warm-up time	30 minutes or above			
Input Connector	8 pins Connector(CH0)/10 pins Connector(CH1)			
IO Occupation Points:	Fixed type:64 points			
Maximum number of units	7: XBM type, XBC/XEC-SU type, 10: XBC/XEC-H type, XBC/XEC-U type			
Power Supply	DC 5 V(internal), DC 20.4 V~28.8V(external)			
Power Consumption	Internal (DC5V)	110 mA		
	External (DC24V)	280 mA		

Specification

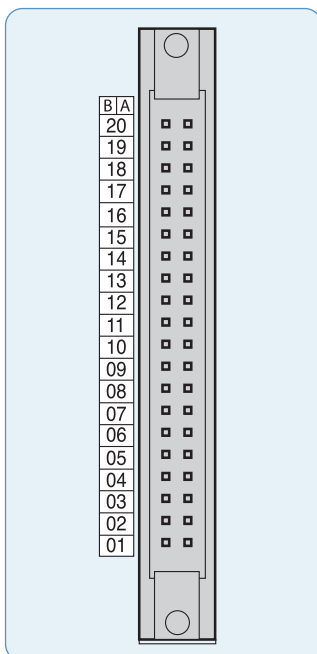


Item		XBF-PD02A
NO. of control axis		2 axis
Pulse output type		Line drive
Max. pulse output		2Mpps
Max. connection length		10m
Control mode		Position control, Speed control, Speed/Position switching control, Position/Speed switching control
Interpolation		Linear interpolation, Circular interpolation
Positioning data		150 operation data for each axis
Configuration tool		Built-in function parameter of XG5000
Back-up		Flash memory
Positioning	Positioning method	Absolute/Incremental method
	Unit	pulse
	Positioning range	- 2,147,483,648 ~ 2,147,483,648
	Speed range	1~2,000,000 (pulse/sec)
	Acceleration/Deceleration type	Trapezoidal acceleration/deceleration
	Acceleration/Deceleration time	0~65,535ms, Asymmetric acceleration/deceleration
Max. encoder input		200kpps (Line drive)
Error/Operation		LED
I/O occupied points		Fixed type: 64 points
Connection terminal		40pin connector
Current consumption (mA)		500

Names and Functions

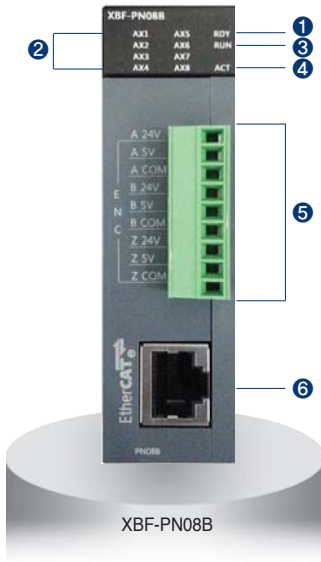
No.	Name	Descriptions
1	RUN LED	1. RUN ▶ Displays the hardware operation status • On: Normal status • Off: Abnormal status 2. X_AXIS, Y_AXIS • On: Operation • Flickering: Error
2	Terminal block	▶ Terminals to connect the MPG, external device and drive device.

Terminal



Pin number		Signal name	
X axis	Y axis		
	B20	MPG A+	Manual Pulse Generator/Encoder A+ input
	A20	MPG A-	Manual Pulse Generator/Encoder A- input
	B19	MPG B+	Manual Pulse Generator/Encoder B+ input
	A19	MPG B-	Manual Pulse Generator/Encoder B- input
A18	B18	FP+	Forward pulse +
A17	B17	FP-	Forward pulse -
A16	B16	RP+	Reverse pulse +
A15	B15	RP-	Reverse pulse -
A14	B14	OV+	High limit
A13	B13	OV-	Low limit
A12	B12	DOG	Near point
A11	B11	NC	-
A10	B10		
A09	B09	COM	Common
A08	B08	NC	-
A07	B07	INP	Inposition signal
A06	B06	INP COM	Inposition signal common
A05	B05	CLR	Deviation counter clear signal
A04	B04	CLR COM	Deviation counter clear signal common
A03	B03	HOME +5V	Zero signal (DC 5V)
A02	B02	HOME COM	Zero signal Common
A01	B01	NC	-

Specification



Item		XBF-PN08B			
No. of control axis		8			
Interpolation function		2~8 axes linear interpolation, 2 axes circular interpolation, 3 axes helical interpolation			
Control method		Position control, Speed control, Speed/Position control, Position/Speed control, Position/Torque Control, Feed control			
Control unit		Pulse, mm, inch, degree			
Positioning data		Each axis can have up to 400 operation data (Operation step number : 1~400) Available to set with XG-PM or program			
XG-PM	Connection	RS-232C port of CPU module or USB			
	Setting data	Common, Basic, Extended, Servo parameter, Operation data, Cam data, Command information			
	Monitor	Operation information, Trace, Input terminal information, Error information			
Back-up		Save the parameter, operation data in MRAM ROM (No need of Battery)			
Positioning	Positioning method	Absolute method/Incremental method			
	Position address range		Absolute	Incremental	Speed/Position, Position/Speed Switching control
		mm	-214748364.8~214748364.7(.μm)	-214748364.8~214748364.7(.μm)	-214748364.8~214748364.7(.μm)
		Inch	-21474.83648~21474.83647	-21474.83648~21474.83647	-21474.83648~21474.83647
		degree	-21474.83648~21474.83647	-21474.83648~21474.83647	-21474.83648~21474.83647
	Speed range	pulse	-2147483648~2147483647	-2147483648~2147483647	-2147483648~2147483647
		mm	0.01~20000000.00(BAE/min)		
		Inch	0.001~2000000.000(Inch/min)		
		degree	0.001~2000000.000(degree/min)		
	Acc./Dec. process	pulse	1~20,000,000(pulse/SEC)		
rpm		0.1~100000.0(RPM)			
Acc./Dec. time		Trapezoid type, S-type 1~2,147,483,647ms selection is available from 4 types of acceleration/deceleration pattern			
Manual Operation		Jog Operation, MPG Operation, Inching Operation			
Homing method		Refer to the method supported by the servo driver			
Speed change function		Speed change (Percent/Absolute value)			
Torque unit		Rated torque % designation			
Absolute position system		Available (when using absolute encoder type servo driver)			
External Encoder input	Channel	1 channel			
	Max. Input	200 kpps			
	Input form	Line drive input (RS-422A IEC specification), open collector output type encoder			
	Input type	CW/CCW, PULSE/DIR, Phase A/B			
Connection connector		9-point connector			
Communication Period		1ms			
Max. transmission distance		100m			
Communication cable		Over CAT.5 STP (Shielded Twisted-pair) cable			
Error indication		Indicated by LED			
Communication status indication		Indicated by LED			
Consumable current		510mA			
Weight		115g			

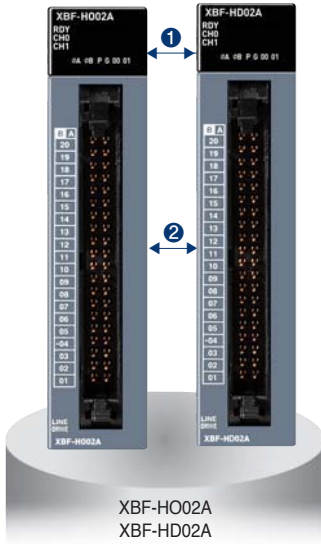
Names and Functions

No.	Name	Descriptions
①	Module ready signal	On: Positioning module normal status Off: Power OFF or CPU module reset status Flicker: Positioning module abnormal status
②	Operation indicator LED (AX1 ~ AX8)	On: applicable axis is running Off: applicable axis is stop status Flicker: applicable axis is error status
③	Communication status indicator LED	On: communication with servo driver is connected Off: communication with servo driver is disconnected Flicker: Error occurs during communicating with servo driver
④	TRX status LED	On: Wiring with servo driver is done Off: Wiring with servo driver is not done Flicker: communicating with servo driver
⑤	Connector for encoder wiring	Connector to connect with encoder
⑥	RJ-45 connector	RJ-45 connector to connect with servo driver

Terminal

Pin arrangement	Pin No.	Signal name	Signal direction
A 24V	1	A 24V	Input
A 5V	2	A 5V	
A COM	3	A COM	
B 24V	4	B 24V	
B 5V	5	B 5V	
B COM	6	B COM	
Z 24V	7	Z 24V	
Z 5V	8	Z 5V	
Z COM	9	Z COM	

Specification



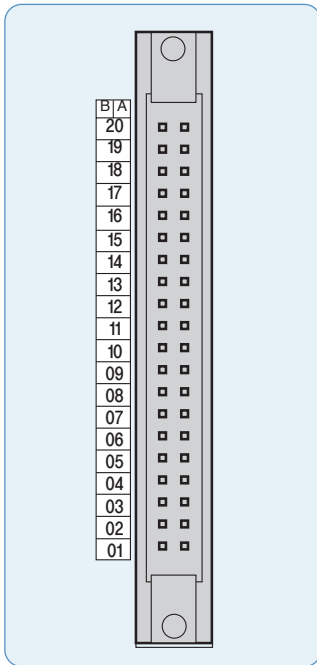
Item		Specification	
		XBF-H002A	XGF-HD02A
Count input signal	Signal	A-phase, B-phase	
	Input type	Voltage input (Open Collector)	Differential input (Line Drive):
	Signal level	DC 5/12/24V	RS-422A Line Drive/HTL LEVEL Line Drive
Maximum coefficient speed		200kpps	500kpps (HTL input : 250kpps)
Number of channels		2 Channels	
Coefficient range		Signed 32-bit (-2,147,483,648 ~ 2,147,483,647)	
Count mode		Linear Count (When 32-bit range exceeded, Carry /Borrow occurs, The count value stopped)	
		Ring Count (Repeated count within setting range)	
Input pulse mode		1-phase input	
		2-phase input	
		CW/CCW input	
Up/down setting	1-phase input	Increasing/Decreasing operation setting by B-phase input	
		Increasing/Decreasing operation setting by program	
	2-phase input	Automatic setting by difference in phase	
CW/CCW		A-phase input: Increasing operation	
		B-phase input: Decreasing operation	
Multiplication function	1-phase input	1/2 multiplication	
	2-phase input	1/2/4 multiplication	
	CW/CCW	1- multiplication	
Control input	Signal	Preset instruction input, Auxiliary mode instruction input	
	Signal level	DC 5V/12V/24V (by terminal selection) input type	
	Signal type	Voltage	
External output	Output points	2-point/channel (for each channel): Terminal output available	
	Type	Select single-compared (>, >=, =, <=, <) or section compared output (Included or excluded)	
	Output type	Open collector output (Sink)	
Operation status display	Input signal	A-phase input, B-phase input, Preset instruction input, Auxiliary mode instruction input	
	Output signal	External output 0, External output 1	
	Busy status	Module Ready	
Count enable		To be set through program (Count available only in enable status)	
Preset function		To be set through terminal or program	
Auxiliary mode function		Count clear, Count latch, Section count(time setting value: 0~60000ms), Measurement of input frequency(for respective input phase), Measurement of counts per hour(time setting value: 0~60000ms) Count prohibited function	
Terminal		40 pin connector	
I/O occupied points		Fixed point: 64	
Current consumption (mA)		200	260
Weight		90g	

Names and Functions

No.	Name	Descriptions
①	Run LED (ØA, ØB, P, G, 00, 01)	▶ On: Relevant channel pulse inputting, Preset/Auxiliary function signal inputting, Outputting ▶ Off: No input of relevant channel pulse, No input of preset/ Auxiliary function signal, No output of comparison
	Ready signal (RDY)	▶ On: HSC module normal ▶ Off: Power off or CPU module reset, HSC module error • Flicker: HSC module error
②	External wiring connector	Connector to connect with external I/O

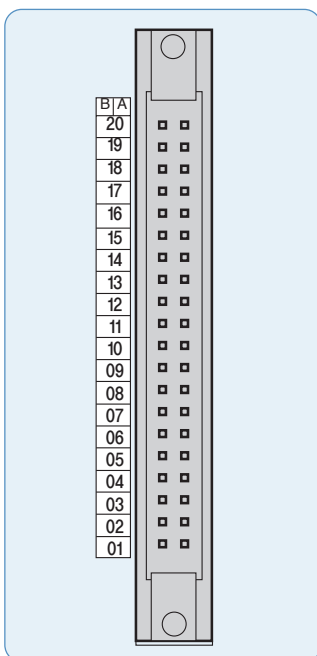
APPLICATION

Terminal (XBF-H002A)



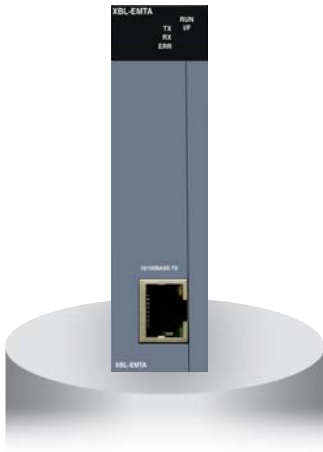
Pin arrangement		Signal name	
B ch1	A ch0		
20	20	A 24V	A phase pulse input 24V
19	19	A 12V	A phase pulse input 12V
18	18	A 5V	A phase pulse input 5V
17	17	A COM	A phase pulse input COM
16	16	B 24V	B phase pulse input 24V
15	15	B 12V	B phase pulse input 12V
14	14	B 5V	B phase pulse input 5V
13	13	B COM	B phase pulse input COM
12	12	P 24V	Preset input 24V
11	11	P 12V	Preset input 12V
10	10	P 5V	Preset input 5V
09	09	P COM	Preset input COM
08	08	G 24V	Auxiliary function input 24V
07	07	G 12V	Auxiliary function input 12V
06	06	G 5V	Auxiliary function input 5V
05	05	G COM	Auxiliary function input COM
04	04	OUT0	Comparison output 0
03	03	OUT1	Comparison output 1
02	02	24V	External power input 24V
01	01	24G	External power input GND

Terminal (XBF-HD02A)



Pin arrangement		Signal name	
B ch1	A ch0		
20	20	A I +	A I phase differentiation input +
19	19	A I -	A I phase differentiation input -
18	18	A II +	A II phase differentiation input +
17	17	A II -	A II phase differentiation input -
16	16	B I +	B I phase differentiation input +
15	15	B I -	B I phase differentiation input -
14	14	B II +	B II phase differentiation input +
13	13	B II -	B II phase differentiation input -
12	12	P 24V	Preset input 24V
11	11	P 12V	Preset input 12V
10	10	P 5V	Preset input 5V
09	09	P COM	Preset input COM
08	08	G 24V	Auxiliary function input 24V
07	07	G 12V	Auxiliary function input 12V
06	06	G 5V	Auxiliary function input 5V
05	05	G COM	Auxiliary function input COM
04	04	OUT0	Comparison output 0
03	03	OUT1	Comparison output 1
02	02	24V	External power input 24V
01	01	24G	External power input GND

Ethernet (XBL-EMTA)



Item	XBL-EMTA	
Communication spec.	10/100 Base-TX	
Protocol	TCP/IP, UDP/IP	
Service	With LS PLCs	High-speed link, P2P service
	With other devices	P2P service
	Application	XGT Dedicated protocol Server/Client, Modbus/TCP Server/Client
HS link sending/Receiving data	200words/block (Max. 64blocks)	
No. of channel Connectable to upper stage	6 channels	
Service	Communication with PC (HMI) and external devices, High-speed communication among LSIS PLCs	
Media	UTP/STP Category 5	
Current consumption (mA)	300	

RS-232C, RS-422 / 485



Item	Built-in RS-232C	XBL-C21A	Built-in RS-485	XBL-C41A
Interface	RS-232C 1ch	RS-232C 1ch	RS-485 1ch	RS-422 / 485 1ch
MODEM function	Remote communication via the external MODEM (XBL-C21A Only)			
Mode	Dedicated mode	1:1 or 1:N via the dedicated protocol		
	XG5000 mode	Program download, Upload and control via the remote control		
	P2P mode	Communication defined by the protocol using XG-PD XGT/Modbus master		
Operation mode	Server (slave)	XGT/Modbus server, User-defined communication		
	Client (master)	XGT/Modbus P2P Master, User-defined communication		
Data format	Start Bit	1		
	Data Bit	7 or 8		
	Stop Bit	1 or 2		
	Parity	Even / Odd / None		
	Setting	Setting by XG-PD parameter		
Synchronous	Asynchronous			
Speed (bps)	1,200/2,400/4,800/9,600/19,200/38,400/57,600/115,200 bps			
Station number	Setting by XG-PD, Max. 32 stations			
Distance	RS-232C: Max. 15m (Expansion by MODEM), RS-422/485: Max 500m			
MODEM communication	-	Support	-	-
Network	1 : 1		1 : N	
Diagnostic	Via LED and XG-PD			
Max. expansion	Built-in	2 stages	Built-in	2 stages

RAPiNet (XBL-EIMT)



Item	XBL-EIMT	
Transmission standard	Transmission speed	100Mbps
	Transmission method	Base band
	Max. extension distance between nodes	100m
	Max. number of nodes	64
	Max. protocol size	1,516 bytes
	Access method to service zone	CSMA / CD
	Frame error check	CRC 32 = $X^{32} + X^{26} + X^{23} + \dots + X^2 + X + 1$
Basic standard	Normal communication guarantee	Max. 1,200 (packet/sec)
	Dimension (mm)	90(H) x 27(W) x 60(D)
	Current consumption (mA)	290
Weight (g)	102	

APPLICATION

Ethernet/IP (XBL-EIPT)



Item	XBL- EIPT	
Transmission standard	Transmission speed	100Mbps
	Transmission method	Base band
	Max. extension distance between nodes	100m
	Access method to service zone	CSMA/CD
	Frame error check	$CRC\ 32 = X^{32} + X^{26} + X^{23} + \dots + X^2 + X + 1$
Topology		
The number of connections (Client/Server)	TCP	16 / 32
	CIP (IO communication)	32 / 64
Number of Max. services (P2P)	2	
Number of Max. installations	2	
Max. setting data size per block	Periodic client	500 bytes
	Aperiodic client	512 bytes
Basic standard	Dimension (mm)	90(H) x 27(W) x 60(D)
	Current consumption(mA)	290
	Weight (g)	102

Profibus-DP Module (XBL-PMEC, XBL-PSEA)



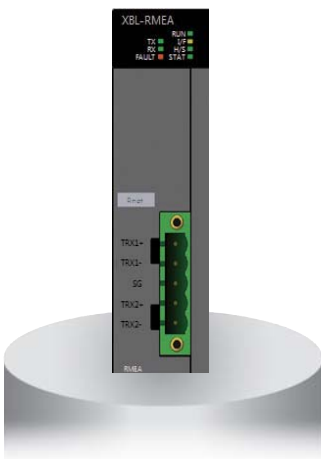
Item	XBL-PMEC	XBL-PSEA
Module Type	Slave	
Network Type	Profibus-DP	
Standard	EN501170/DIN19245	
Interface	RS-485 (Electric)	
Topology	Bus type	
Modulation Type	NRZ (Non Return to Zero)	
Protocol	Profibus DP-V0	
Max. Distance & Transmission Speed	Distance (m)	Send Speed (bps)
	1,200	9.6k/19.2k/93.75k/187.5k
	400	500k
	200	1.5M
	100	3M/6M/12M
Max. number of stations per segment	32 (including master & repeater)	
Cable used	Electric-twist shielded pair cable	
Max. Communication size	Input : 122 Word Output : 122 Word	
Max. Communication size per block	Input : 64 Word Output : 64 Word	
Communication Transmission cycle	10/20/50/100/200/500ms, 1/5/10s	
Communication Receive cycle	Main unit scan × 2 + Data receive time + Communication module scan	
Max. number of units installed	2 units	
Communication Parameters to set	XG5000 (setting station and high-speed link parameter block)	
Internal-consumed current (mA)	300	250
Weight (g)	86 (including connector: 122)	

DeviceNet Module
(XBL-DSEA)



Item		XBL-DSEA	
Transmission Specification	Transmission Speed (kbps)	125/250/500	
	Transmission Type	Poll, Bit strobe, COS, Cyclic	
	Communication distance (m)	Thick Cable	500 (125kbps)/250 (250kbps)/100 (500kbps)
		Thin Cable	100 (125/250/500kbps)
	Terminal resistance (Ω)	121 (1%, 1/4W)	
	Max.drop length (m)	125 kbps	6 (Max. extended length 156)
		250 kbps	6 (Max. extended length 78)
		500 kbps	6 (Max. extended length 39)
	Data Packet	0~8 Bytes	
	Message Access Control	CSMA/NBA	
	Network Structure	<ul style="list-style-type: none"> Trunk/drop line Power/Signal cable inside the identical network cable 	
	Bus Type	<ul style="list-style-type: none"> Poll type 	
	Max. number of nodes	Up to 64 (including master) MAC IDs (MAC Identifier)	
	System Features	Insertion and removal of node available in voltage On status	
Operation Voltage	DC 24V		
Diagnosis Function	Module: Checks duplicated station/ Checks CRC error SyCon: Detects defective station/Checks BusOff/Auto-scan function XG5000: Monitors High-speed link		
Master/Slave Operation	Available only in slave		
Parameter setting	Setting to High-speed link of XG5000 (RS-232C of CPU module or USB port)		
XG5000 (High-speed link) Specification	Data process unit	Word	
	Send/Receive period	Select among 10ms, 20ms, 50ms, 100ms, 200ms, 500ms, 1s, 5s and 10s - Default : 20ms	
	Max. communication point	Send 2048points, Receive 2048 points, 256 bytes respectively	
	Max. block number	64 (Setting range: 0~63)	
	Max. point number per block	1024 points (64 Words)	
Basic Specification	Max. modules installed	Up to 2	
	Internal-consumed current (mA)	100mA	
	Weight (g)	110	

Rnet
(XBL-RMEA)



Item		XBL-RMEA
Transmission Speed		1Mbps(Rnet I/F modules common)
Max. Tx distance		Max. 750m
Connection Cable		Twisted pair shielded cable
Maximum stations connected	Network	Master station 1[station no:0(fixed)] + Slave stations up to 31[station no:1~63], Note 1) - Only 1 master is available in the network.
Diagnostic function		XG5000 : High Speed Link Monitoring
Terminal resistance (Ω)		110 Ω (±5%), 1/2W
Master/Slave operation		Only available as Master
XG5000(HS Link)	Data Processing unit	Byte
	Tx/Rx cycle	Selection among 20ms, 50ms, 100ms, 200ms(default), 500ms, 1s, 5s, 10s
	Max. Communication points.	3,780 Bytes (slave 31stations * 120Bytes/station)
	Max. Block number	64 (setting range : 0~63)
	Max. points by Block	120 Byte (60words)
Auto scanning		Supported
Specification	Max. module mounted	2 modules

APPLICATION

CANopen Module (XBL-CMEA, XBL-CSEA)



Item	XBL-CMEA	XBL-CSEA
Transmission Speed	10, 20, 50, 100, 125, 250, 500, 800, 1000Kbps	
Num. of port	1	
Max. node	32	-
PDO	TPDO	64
	RPDO	64
Max. size of data per PDO	8Byte	
PDO transfer type	Synchronous acyclic (0), synchronous cyclic (1~240), RTR (252~253), time-event trigger (254~255)	
Support SDO	Client 127/Server 1	Server 1
SDO transfer type	Expedited, Normal	-
Access method	CSMA/BA (Carrier Sense Multiple Access/Bitwise Arbitration)	
Topology	BUS	
SYNC Service	Producer Cycle : 20~5000ms	Consumer
NMT. eode control	NMT master	NMT slave
Emergency	Save the last five per slave	Save up to last 10
NMT. error control	Heartbeat, Life guarding	Heartbeat
Network scan	○	-
Size (mm)	90 (H)X27 (W)X60 (D)	
Current consumption (mA)	211	202
Weight (g)	78	

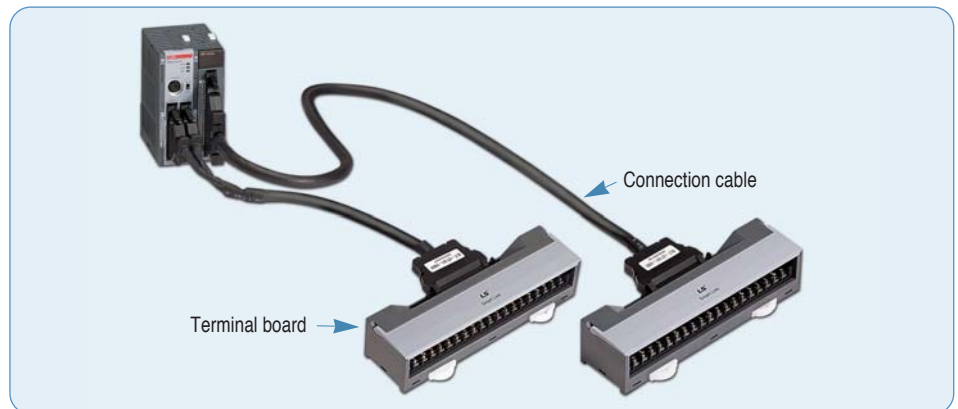
Option modules



Option modules

XBO-AD02A	Voltage/Current, Input 2 chs
XBO-DA02A	Voltage/Current, Output 2 chs
XBO-AH02A	Voltage/Current, Input 1 ch
	Voltage/Current, Output 1 ch
XBO-TC02A	TC (Thermocouple), Input 2 chs
XBO-RTCA	RTC (Real Time Clock)
XBO-DC04A	DC 24V, Input 4 points
XBO-TN04A	Transistor (Sink), Output 4 point
XBO-RD01A	RTD (Resistance Temperature Detect, Input 1 ch)

Smart link

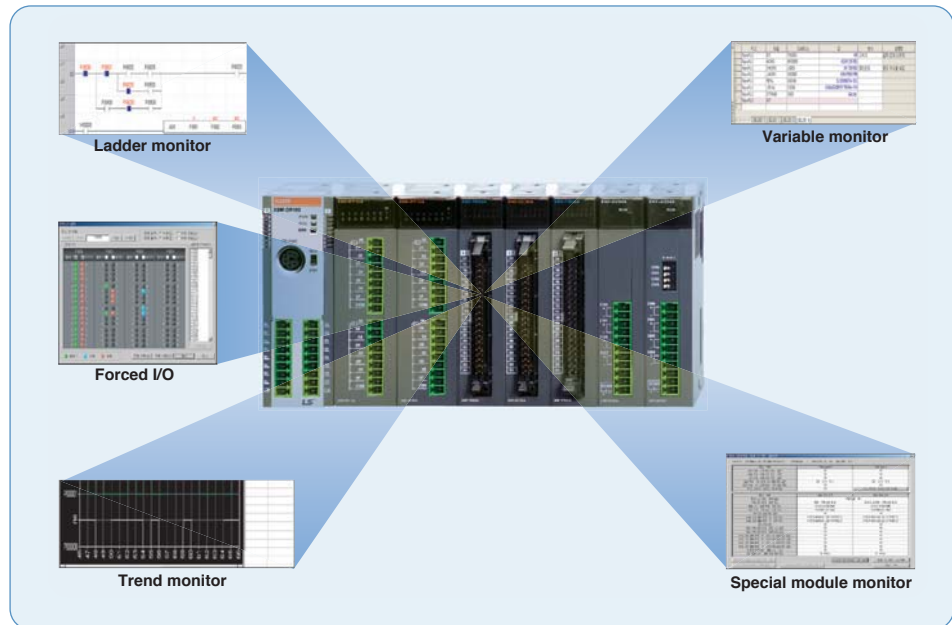


Terminal board	Connection cable	XBM-DN16S XBM-DN32S	XBE-DC32A	XBE-TN32A	XBE-TP32A	Cable length
TG7-1H40S (Terminal board)	R40H/20HH-05S-XBM3	●	-	-	-	0.5m
	R40H/20HH-10S-XBM3	●	-	-	-	1.0m
TG7-1H40CA (Terminal board, Common)	C40HH-05SB-XBI	-	●	●	●	0.5m
	C40HH-10SB-XBI	-	●	●	●	1.0m
	C40HH-15SB-XBI	-	●	●	●	1.5m
	C40HH-20SB-XBI	-	●	●	●	2.0m
R32C-NS5A-40P (Relay board : sink)	C40HH-30SB-XBI	-	●	●	●	3.0m
	C40HH-05SB-XBI	-	-	●	-	0.5m
	C40HH-10SB-XBI	-	-	●	-	1.0m
	C40HH-15SB-XBI	-	-	●	-	1.5m
R32C-PS5A-40P (Relay board : source)	C40HH-20SB-XBI	-	-	●	-	2.0m
	C40HH-30SB-XBI	-	-	●	-	3.0m
	C40HH-05PH-XBP	-	-	-	●	0.5m
	C40HH-15PH-XBP	-	-	-	●	1.5m
	C40HH-20PH-XBP	-	-	-	●	2.0m

XG5000

(Programming software)

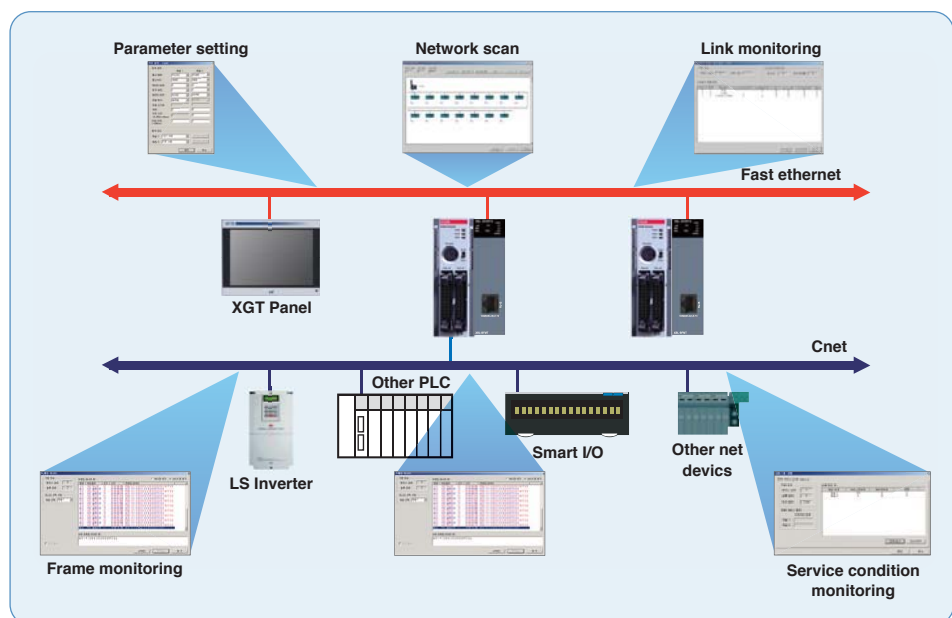
- Program editing & Engineering software
- Windows-based easy operation
- Multi-PLC, Multi-programming support
- Various monitoring and diagnosis functions
- Vista 2000, XP (Limited use in Windows 98, ME)



XG-PD

(Network setting software)

- Convenient network setting
- Extended monitoring function for network system and communication modules
- Fast interface with CPU by effective network management
- Various built-in diagnosis, functions (CPU condition, Link condition, Service condition, Frame monitoring)



Product list

Product list

Item	Model	Specifications
Block type unit (U)	XBC/XEC-DN(P)32U	AC 110-220V, 16points DC24V input, 16points transistor sink(source) type output
	XBC/XEC-DR28U	AC 110-220V, 16points DC24V input, 12points relay output
	XBC/XEC-DN(P)32UP	AC 110-220V, 16points DC24V input, 16points transistor sink(source) type output, 4 axes built-in positioning
	XBC/XEC-DR28UP	AC 110-220V, 16points DC24V input, 12points relay output, 4 axes built-in positioning
	XBC/XEC-DN(P)32UA	AC 110-220V, DC24V input, 16points transistor sink(source) type output, 8 channel built-in analog
	XBC/XEC-DR28UA	AC 110-220V, DC24V input, 12points relay output, 8 channel built-in analog
	XBC/XEC-DN(P)32U/DC	DC 24V, 16points DC24V input, 16points transistor sink(source) type output
	XBC/XEC-DR28U/DC	DC 24V, 16points DC24V input, 12points relay output
	XBC/XEC-DN(P)32UP/DC	DC 24V, 16points DC24V input, 16points transistor sink(source) type output, 4 axes built-in positioning
	XBC/XEC-DR28UP/DC	DC 24V, 16points DC24V input, 12points relay output, 4 axes built-in positioning
	XBC/XEC-DN(P)32UA/DC	DC 24V, DC24V input, 16points transistor sink(source) type output, 8 channel built-in analog
	XBC/XEC-DR28UA/DC	DC 24V, DC24V input, 12points relay output, 8 channel built-in analog
	Block type unit (High performance)	XBC/XEC-DR32H
XBC/XEC-DR64H		AC 100 - 240V, DC24 input 32 points, relay output 32 points
XBC/XEC-DN32H		AC 100 - 240V, DC24 input 16 points, transistor output 16 points (Sink)
XBC/XEC-DN64H		AC 100 - 240V, DC24 input 32 points, transistor output 32 points (Sink)
XEC-DP32H		AC 100 - 240V, DC24 input 16 points, transistor output 16 points (Source)
XEC-DP64H		AC 100 - 240V, DC24 input 32 points, transistor output 32 points (Source)
XBC-DR32H/DC		DC 24V, DC24 input 16 points, relay output 16 points
XBC-DR64H/DC		DC 24V, DC24 input 32 points, relay output 32 points
XBC-DN32H/DC		DC 24V, DC24 input 16 points, transistor output 16 points (Sink)
XBC-DN64H/DC		DC 24V, DC24 input 32 points, transistor output 32 points (Sink)
XEC-DR32H/D1		DC 12/24V, DC12/24 input 16 points, relay output 16 points
XEC-DR64H/D1		DC 12/24V, DC12/24 input 32 points, relay output 32 points
Block type unit (Standard)	XBC/XEC-DR20SU	AC 100 - 240, DC24V input 12 points, relay output 8 points
	XBC/XEC-DR30SU	AC 100 - 240, DC24V input 18 points, relay output 12 points
	XBC/XEC-DR40SU	AC 100 - 240, DC24V input 24 points, relay output 16 points
	XBC/XEC-DR60SU	AC 100 - 240, DC24V input 36 points, relay output 24 points
	XBC/XEC-DN20SU	AC 100 - 240, DC24V input 12 points, transistor output 8 points (Sink)
	XBC/XEC-DN30SU	AC 100 - 240, DC24V input 18 points, transistor output 12 points (Sink)
	XBC/XEC-DN40SU	AC 100 - 240, DC24V input 24 points, transistor output 16 points (Sink)
	XBC/XEC-DN60SU	AC 100 - 240, DC24V input 36 points, transistor output 24 points (Sink)
	XBC/XEC-DP20SU	AC 100 - 240, DC24V input 12 points, transistor output 8 points (Source)
	XBC/XEC-DP30SU	AC 100 - 240, DC24V input 18 points, transistor output 12 points (Source)
	XBC/XEC-DP40SU	AC 100 - 240, DC24V input 24 points, transistor output 16 points (Source)
	XBC/XEC-DP60SU	AC 100 - 240, DC24V input 36 points, transistor output 24 points (Source)
Block type unit (Economic)	XBC/XEC-DR10E	AC 100 - 240V, 6 points DC24V input, 4 point Relay ouput
	XBC/XEC-DR14E	AC 100 - 240V, 8 points DC24V input, 6 point Relay ouput
	XBC/XEC-DR20E	AC 100 - 240V, 12 points DC24V input, 8 point Relay ouput
	XBC/XEC-DR30E	AC 100 - 240V, 18 points DC24V input, 12 point Relay ouput
	XBC/XEC-DN10E	AC 100 - 240V, 6 points DC24V input, 4 point transistor output (Sink)
	XBC/XEC-DN14E	AC 100 - 240V, 8 points DC24V input, 6 point transistor output (Sink)
	XBC/XEC-DN20E	AC 100 - 240V, 12 points DC24V input, 8 point transistor output (Sink)
	XBC/XEC-DN30E	AC 100 - 240V, 18 points DC24V input, 12 point transistor output (Sink)
	XBC/XEC-DP10E	AC 100 - 240V, 6 points DC24V input, 4 point transistor output (Source)
	XBC/XEC-DP14E	AC 100 - 240V, 8 points DC24V input, 6 point transistor output (Source)
	XBC/XEC-DP20E	AC 100 - 240V, 12 points DC24V input, 8 point transistor output (Source)
	XBC/XEC-DP30E	AC 100 - 240V, 18 points DC24V input, 12 point transistor output (Source)

Product list

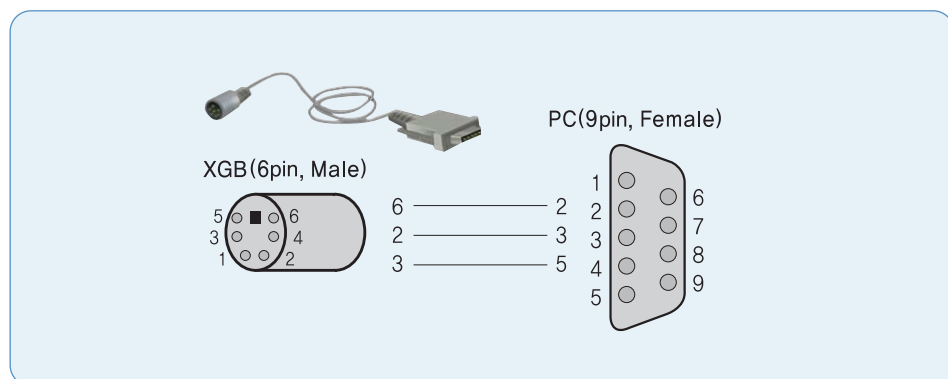
Item	Model	Specifications	
Modular type unit	XBM-DR16S	DC 24V, 8-point DC24V input, 8-point relay output	
	XBM-DN16S	DC 24V, 8-point DC24V input, 8-point TR output	
	XBM-DN32S	DC 24V, 16-point DC24V input, 16-point TR output	
Expansion I/O module	XBE-DC08A	8-point DC 24V input	
	XBE-DC16A	16-point DC 24V input	
	XBE-DC32A	32-point DC 24V input	
	XBE-RY08A	8-point relay output	
	XBE-RY16A	16-point relay output	
	XBE-TN08A	8-point Transistor (sink) output	
	XBE-TN16A	16-point Transistor (sink) output	
	XBE-TN32A	32-point Transistor (sink) output	
	XBE-TP08A	8-point Transistor (source) output	
	XBE-TP16A	16-point Transistor (source) output	
	XBE-TP32A	32-point Transistor (source) output	
	XBE-DR16A	8-point DC 24V input, 8-point relay output	
	Special module	XBF-AD04A	4-channel analog input (current/voltage)
		XBF-AD04C	4-channel analog input (current/ voltage, resolution : 1/16000)
		XBF-AH04A	2-channel analog input (current/voltage)/2-channel analog output (current/voltage)
XBF-DV04A		4-channel analog output (voltage)	
XBF-DV04C		4-channel analog input (voltage, resolution : 1/16000)	
XBF-DC04A		4-channel analog output (current)	
XBF-DC04C		4-channel analog input (current, resolution : 1/16000)	
XBF-RD04A		4-channel RTD input	
XBF-RD01A		1-channel RTD input	
XBF-TC04S		4-channel Thermocouple input	
XBF-TC04TT		Temperature controller, Thermocouple	
XBF-TC04RT		Temperature controller, RTD	
XBF-LD02S		Load Cell input module	
XBF-PD02A		Line drive 2 axis	
XBF-PN08B		EtherCAT Positioning module, 8axes (XBC/XEC "U" only)	
XBF-PN04B		EtherCAT Positioning module, 4axes (XBC/XEC "U" only)	
XBF-AD08A		8-channel analog input (Current/voltage)	
XBF-HO02A		2-channel High-speed counter input (Open collector)	
XBF-HD02A		2-channel High-speed counter input (Line drive)	
Communication module		XBL-C41A	Cnet (RS-422/485), 1ch
	XBL-C21A	Cnet (RS-232C), 1ch	
	XBL-EMTA	Fast Ethernet (100Mbps), 1ch	
	XBL-EIMT	RAPIDnet, 2 ch	
	XBL-EIPT	Ethernet/IP, 2 ch	
	XBL-EIMF	RAPIDnet I/F, Max. 2km (Fiber 2ch.), 100Mbps	
	XBL-EIMH	RAPIDnet I/F (Twisted pair 1ch, Fiber 2 ch.), 100Mbps	
	XBL-PMEC	Profibus-DP, Master, RS-485	
	XBL-PSEA	Profibus-DP, Slave, RS-485	
	XBL-DSEA	DeviceNet, Slave	
	XBL-PSEA	Profibus-DP, Slave, RS-485	
	XBL-RMEA	Rnet, Master	
	XBL-CMEA	CANopen (10, 20, 50, 100, 125, 250, 500, 800, 1000Kbps, Num of PDO : 32)	
	XBL-CSEA	CANopen (10, 20, 50, 100, 125, 250, 500, 800, 1000Kbps, Num of PDO : 64)	
	Loader cable	PMC-310S	Connection cable (PC to PLC), 9pin(PC)-6pin(PLC)
USB-301A		Connection cable (PC to PLC), USB	

Product list

Item	Model	Specifications
Memory module	XBO-M2MB	Memory
	XBO-AD02A	Voltage/Current, Input 2 ch
Option modules	XBO-DA02A	Voltage/Current, Output 2 ch
	XBO-AH02A	Voltage/Current, Input 1ch/Voltage/Current, Output 1ch
	XBO-TC02A	TC (Thermo couple), Input 2 ch
	XBO-RTCA	RTC (Real time clock), Battery
	XBO-DC04A	DC 24V, Input 4 points
	XBO-TN04A	TR (Sink), Output 4 points
	XBO-RD01A	RTD (Resistance temperature detector), Input 1ch

Terminal board	Connection cable	XBM-DN16S XBM-DN32S	XBE-DC32A	XBE-TN32A	XBE-TP32A	Cable length
XTB-40H (TG7-1H40S) (Terminal board)	R40H/20HH-05S-XBM3	●	-	-	-	0.5m
	R40H/20HH-10S-XBM3	●	-	-	-	1.0m
TG7-1H40CA (Terminal board, Common)	C40HH-05SB-XBI	-	●	●	●	0.5m
	C40HH-10SB-XBI	-	●	●	●	1.0m
	C40HH-15SB-XBI	-	●	●	●	1.5m
	C40HH-20SB-XBI	-	●	●	●	2.0m
R32C-NS5A-40P (Relay board: sink)	C40HH-30SB-XBI	-	●	●	●	3.0m
	C40HH-05SB-XBI	-	-	●	-	0.5m
	C40HH-10SB-XBI	-	-	●	-	1.0m
	C40HH-15SB-XBI	-	-	●	-	1.5m
R32C-PS5A-40P (Relay board:source)	C40HH-20SB-XBI	-	-	●	-	2.0m
	C40HH-30SB-XBI	-	-	●	-	3.0m
	C40HH-05PH-XBP	-	-	-	●	0.5m
	C40HH-15PH-XBP	-	-	-	●	1.5m
	C40HH-20PH-XBP	-	-	-	●	2.0m

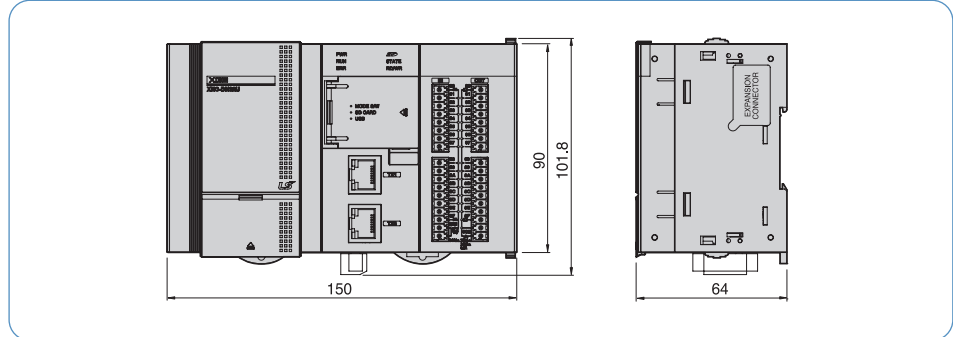
Download cable diagram



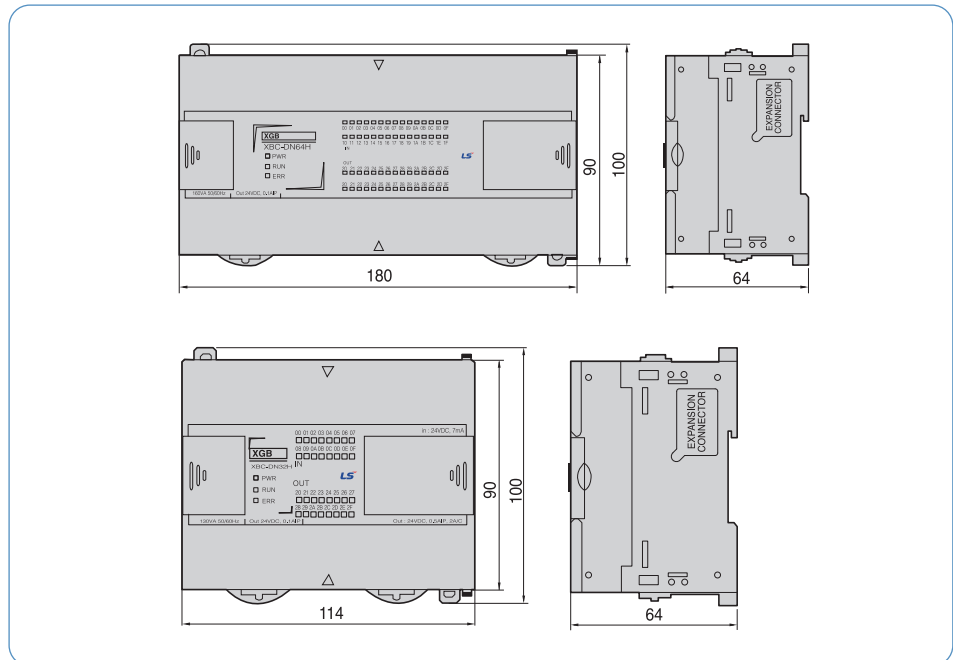
XGB Dimension

Block type unit

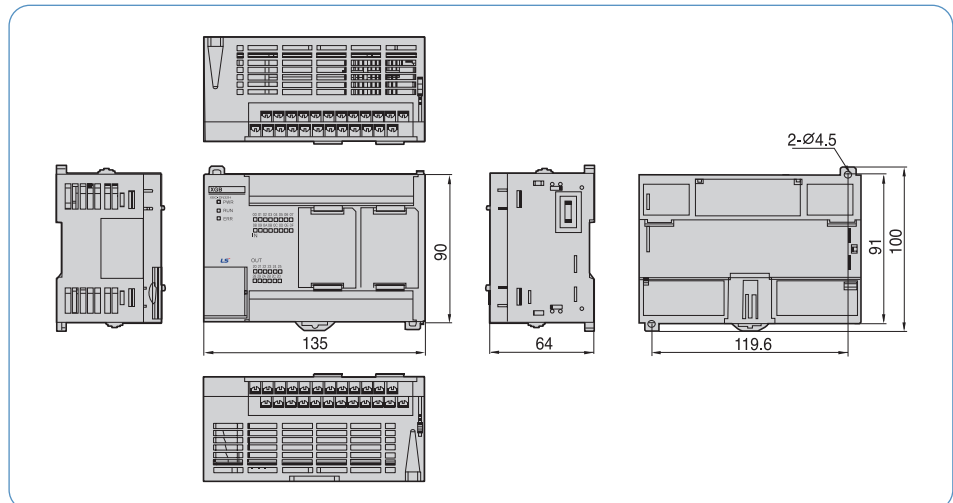
XBC/XEC-U (Standard)



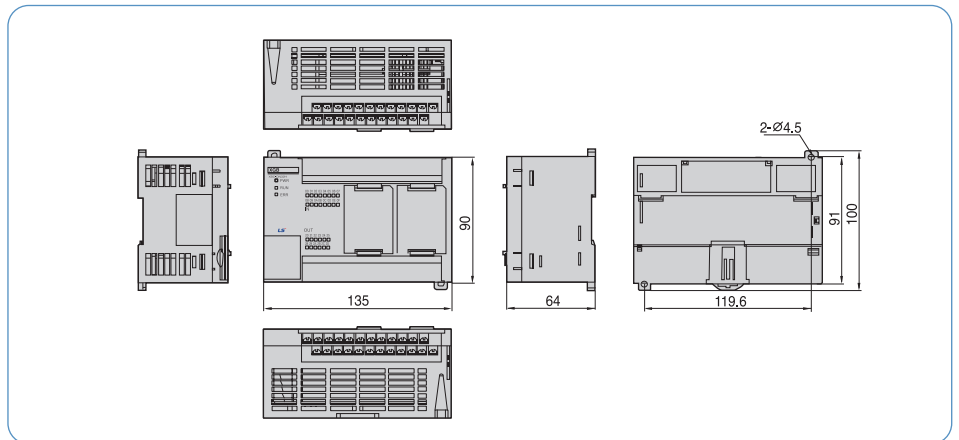
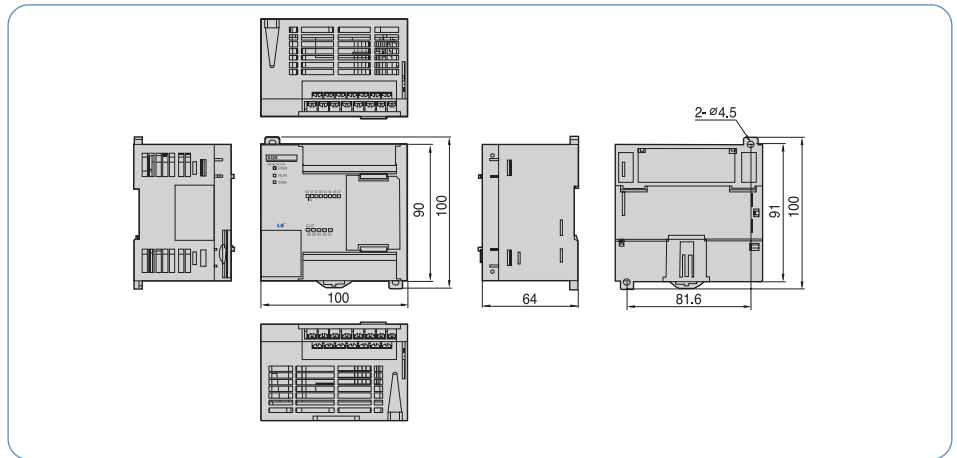
XBC/XEC-H



XBC/XEC-SU

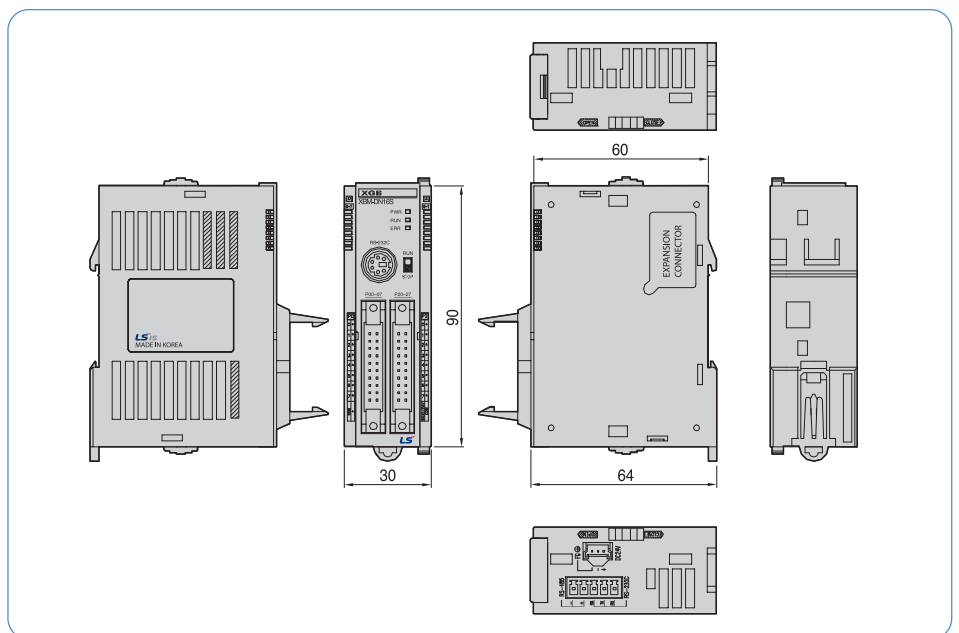


XBC/XEC-E

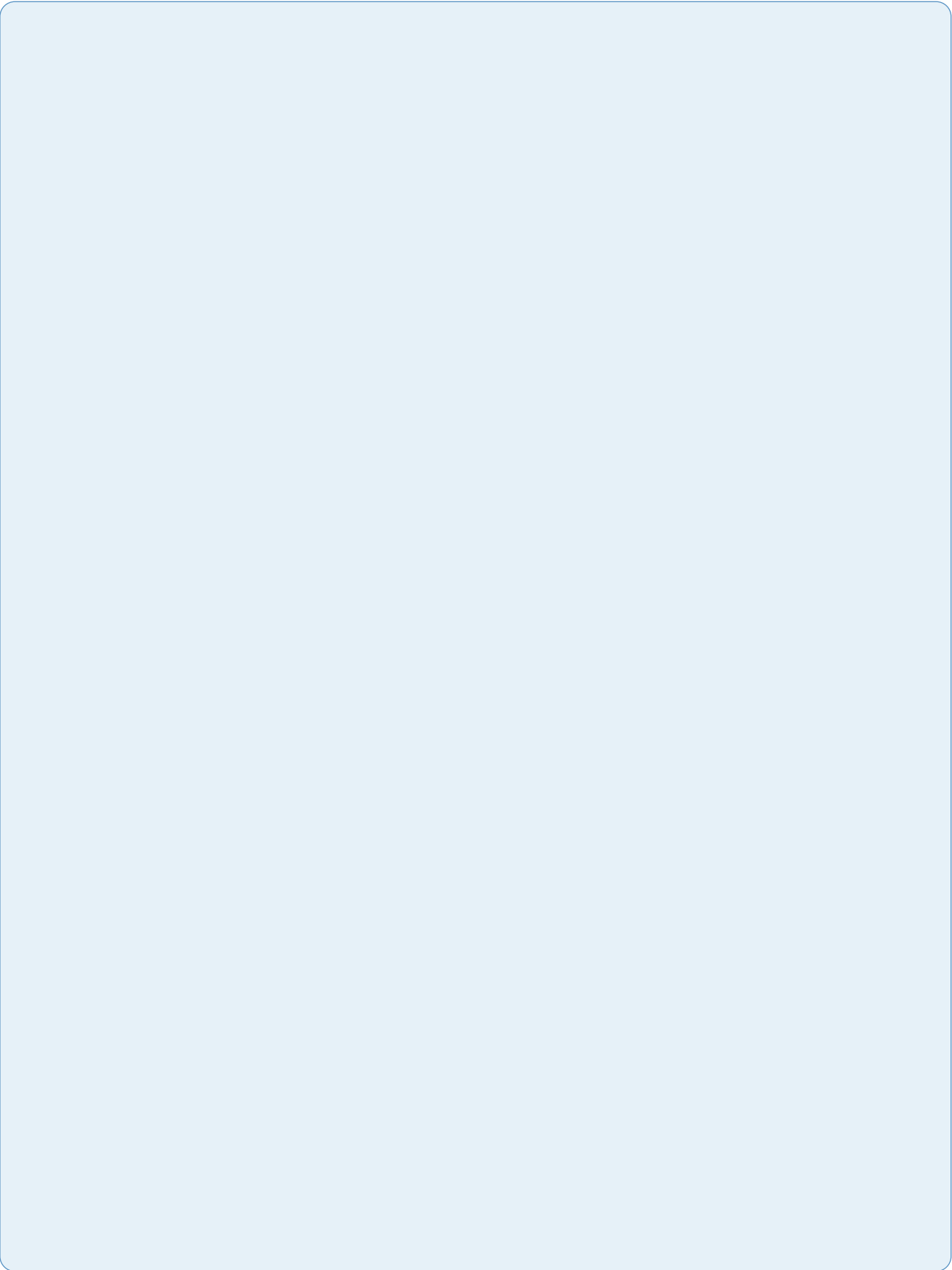


Modular type unit

XBM-S



A large, empty rectangular area with rounded corners, intended for writing a memo. The area is light blue and occupies most of the page below the header.



Worldwide Network

Head Office and Domestic Factories (Cheongju, Cheonan, Busan)

Domestic Factories

- **Head Office**
LS Tower, 127, LS-ro, Dongan-gu, Anyang-si, Gyeonggi-Do, 431-848, Korea
Tel : 82-2-2034-4870 Fax : 82-2-2034-3660-7021
- **Cheongju Factory**
1 Songjeong-dong, Cheongju-si, Chungbuk-do, 361-720, Korea
Tel : 82-43-261-6114 Fax : 82-43-261-6602
- **Cheonan Factory**
181 Samseong-ri, Mokcheon-myeon, Cheonan-si Chungnam-do, 330-840 Korea
Tel : 82-41-550-8114 Fax : 82-41-566-8408
- **Busan Factory**
1-19 Block Hwajeon-dong, Gangseo-gu, Busan, 618-280, Korea
Tel : 82-51-795-6114 Fax : 82-51-795-6169

Overseas Factories

- **Wuxi Factory, CHINA**
102-A, National High & New Tech Industrial Development Area, Wuxi, Jiangsu, 214028, P.R. China
Tel : 86-510-8534-6666 Fax : 86-510-8534-4078
- **Dalian Factory, CHINA**
No. 15, Liaohexi 3-Road, Economic and Technical Development zone, Dalian 116600, China
Tel : 86-411-273-7777 Fax : 86-411-8730-7560
- **Hanoi Factory, VIETNAM**
Room 1311, 13th Floor, M3-M4 Building 91 Nguyen Chi Thanh street, Hanoi, Vietnam.
Tel : 84-4-6275-8055 Fax : 84-4-6275-8056

R&D Center

- **Advanced Technology R&D Center**
533 Hogye-dong, Dongan-gu, Anyang-si, Gyeonggi-do, 431-749, Korea
Tel : 82-31-450-7114
- **Electro Technology R&D Center**
1 Songjeong-dong, Cheongju-si, Chungcheongbuk-do, 361-720, Korea
Tel : 82-43-261-6114
- **Automation R&D Center**
181 Samseong-ri, Mokcheon-myeon, Cheonan-si, Chungcheongnam-do, 330-840, Korea
Tel : 82-41-550-8272
- **Power Testing & Technology Institute**
1 Songjeong-dong, Cheongju-si, Chungcheongbuk-do, 361-720, Korea
Tel : 82-43-261-6114



Cheongju Factory



Wuxi Factory (China)



Cheonan Factory



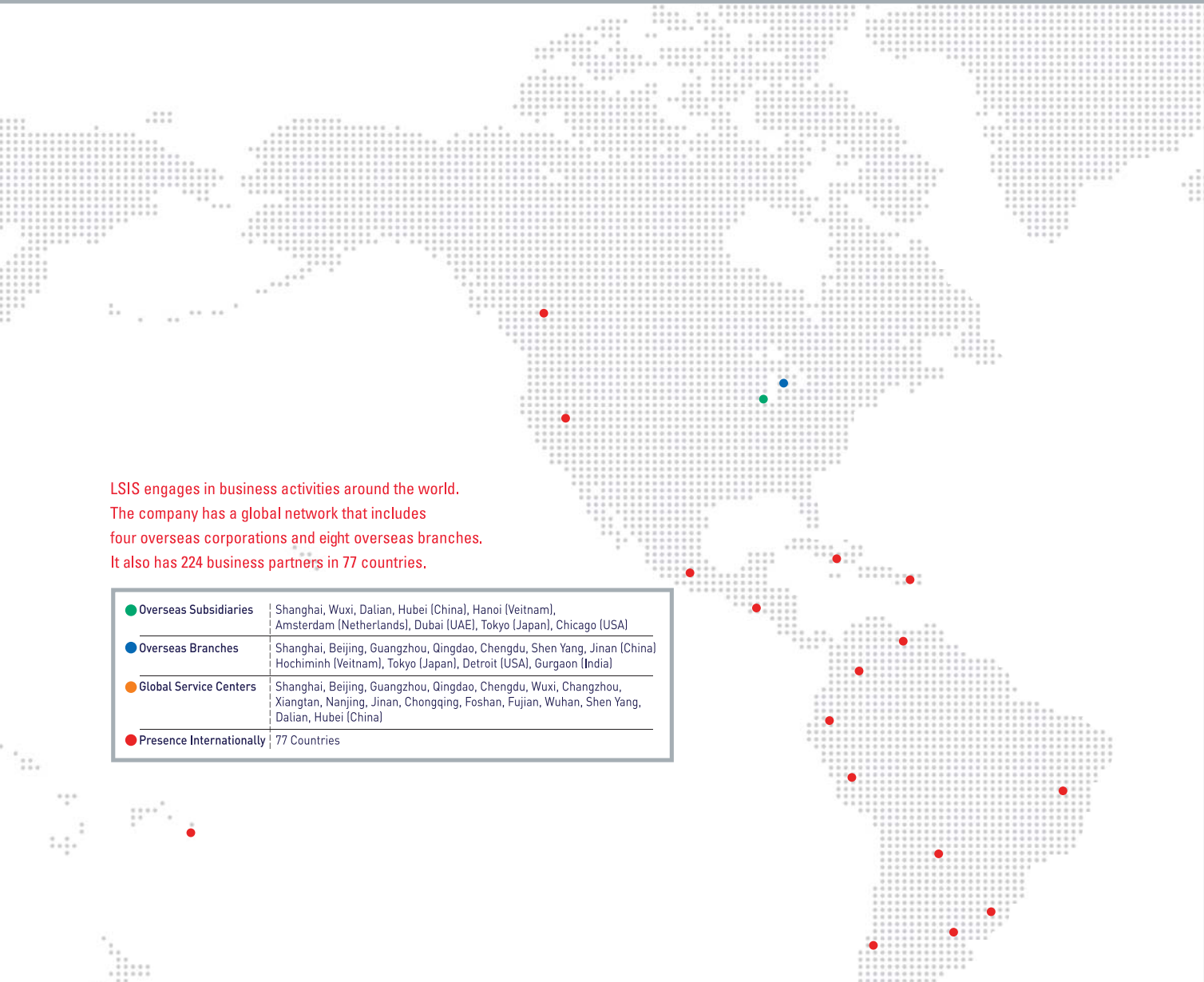
Dalian Factory (China)



Busan Factory



Hanoi Factory (Vietnam)



LSIS engages in business activities around the world.
 The company has a global network that includes
 four overseas corporations and eight overseas branches.
 It also has 224 business partners in 77 countries.

● Overseas Subsidiaries	Shanghai, Wuxi, Dalian, Hubei (China), Hanoi (Vietnam), Amsterdam (Netherlands), Dubai (UAE), Tokyo (Japan), Chicago (USA)
● Overseas Branches	Shanghai, Beijing, Guangzhou, Qingdao, Chengdu, Shen Yang, Jinan (China) Hochiminh (Vietnam), Tokyo (Japan), Detroit (USA), Gurgaon (India)
● Global Service Centers	Shanghai, Beijing, Guangzhou, Qingdao, Chengdu, Wuxi, Changzhou, Xiangtan, Nanjing, Jinan, Chongqing, Foshan, Fujian, Wuhan, Shen Yang, Dalian, Hubei (China)
● Presence Internationally	77 Countries

Overseas Subsidiaries

- LSIS(Shanghai) Co., Ltd. / CHINA
32nd Room 1-4, 32/F, Great Wall Building, No.3000 North Zhongshan Road, Putuo District, Shanghai, P.R. China
Tel : 86-21-5237-9977(609) Fax : 86-21-5237-7189
- LSIS(Dalian) Co., Ltd. / CHINA
No. 15, Liaohexi 3-Road, Economic and Technical Development zone, Dalian, P.R. China
Tel : 86-411-8731-7542 Fax : 86-411-8730-7560 E-Mail : dskim@lsis.com
- LSIS(Wuxi) Co., Ltd. / CHINA
102-A, National High & New Tech Industrial Development Area, Wuxi, Jiangsu, P.R. China
Tel : 86-510-8534-6666 Fax : 86-510-8534-4078 E-Mail : sojin@lsis.com
- LS Hukai Electric(Hubei) Co., Ltd. / CHINA
No. 100, Tanjahe Road, Dianjun District, Yichang City, Hubei Province, P.R. China
Tel : 86-717-667-7536 Fax : 86-717-667-7222 E-Mail : jaewoongh@lsis.com
- LS-VINA Industrial Systems Co., Ltd. / VIETNAM
Room 1311, 13th, M3-M4 Building 91 Nguyen Chi Thanh street, Hanoi, Vietnam
Tel : 84-4-6275-8055 Fax : 86-21-5237-7189
- LSIS[ME] FZE / U.A.E.
LOB 19-205, JAFZA View Tower, Jebel Ali Free Zone, Dubai, United Arab Emirates
Tel : 971-4-886-5360 Fax : 971-4-886-5361 E-Mail : shunlee@lsis.com
- LSIS Europe B.V. / NETHERLANDS
1st. Floor, Tupolevlaan 48, 1119NZ, Schiphol-Rijk, The Netherlands
Tel : 31-20-654-1420 Fax : 31-20-654-1429 E-Mail : europartner@lsis.com
- LSIS Japan Co., Ltd. / JAPAN
16th, Higashi-Kan, Akasaka Twin Tower, 2-17-22, Akasaka, Minato-ku, Tokyo, Japan
Tel : 81-3-3582-9128 Fax : 81-3-3582-2667 E-Mail : jschuna@lsis.com
- LSIS USA Inc. / U.S.A.
2000 Millbrook Drive, Lincolnshire, Chicago, IL 60069, United States of America
Tel : 847-941-8240 Fax : 847-941-8259

Overseas Branches

- LSIS Shanghai Office / CHINA
Room E-G, 12th, Huamin Empire Plaza, No.726, West Yan'an Road, Shanghai, P.R. China
Tel : 86-21-5237-9977(702) Fax : 86-21-5237-7189
- LSIS Beijing Office / CHINA
Room 2306, Building B Landgent Center, No.24 Middle Road, East 3rd Ring Road, Chaoyang District, Beijing, P.R. China
Tel : 86-10-5761-3127 Fax : 86-10-5761-3128 E-Mail : htroh@lsis.com
- LSIS Guangzhou Office / CHINA
Room 1403, 14th, New Poly Tower, 2 Zhongshan Liu Road, Guangzhou, P.R. China
Tel : 86-20-8326-6784 Fax : 86-20-8326-6287 E-Mail : sojhtroh@lsis.com
- LSIS Qingdao Office / CHINA
Room 2001, Galaxy Building, 29 ShanDong Road, ShiNan District, QingDao, ShanDong, P.R. China
Tel : 86-532-8501-6058 Fax : 86-532-8501-6057 E-Mail : htroh@lsis.com
- LSIS Chengdu Office / CHINA
Room1710, 17/F Huamin Empire Plaza, NO.1 Fuxin Road, Chengdu, P.R. China
Tel : 86-28-8670-3201 Fax : 86-28-8670-3203 E-Mail : yangcf@lsis.com
- LSIS ShenYang Office / CHINA
Room 803, Hongyuan Building, 52 South Nanjing Road, Heping District, Shenyang, P.R. China
Tel : 86-24-2321-9050 Fax : 86-24-8386-7210 E-Mail : yangcf@lsis.com
- LSIS Jinan Office / CHINA
Room 417, Chuangzhan Center, No. 201, Shanda Road, Lixia District, Jinan, Shandong, P.R. China
Tel : 86-531-8263-8026 Fax : 86-531-8263-8027 E-Mail : yangcf@lsis.com
- LSIS Tokyo Office / JAPAN
16th, Higashi-Kan, Akasaka Twin Tower, 2-17-22, Akasaka, Minato-ku, Tokyo, Japan
Tel : 81-3-3582-9128 Fax : 81-3-3582-2667
- LS-VINA Industrial Systems Hochiminh Office / VIETNAM
4th, Yoco Building, 41 Nguyen Thi Minh Khai Street, Hochiminh City, Vietnam
Tel : 84-8-3822-7941 Fax : 81-84-8-3822-7942 E-Mail : sjbaik@lsis.com
- LSIS Detroit Office / U.S.A.
5700 Crooks Rd, Suite 211, Troy, MI 48098, United States of America
Tel : 1-248-792-2637-8 Fax : 1-248-792-2642t E-Mail : sylee@lsis.com
- LSIS Gurgaon Office / INDIA
109 First Floor, Park Central, Sector-30, Gurgaon- 122 002, Haryana, India
Tel : +0091-124-493-0070 Fax : 91-1244-930-066 E-Mail : hwyim@lsis.com



Safety Instructions

- For your safety, please read user's manual thoroughly before operating.
- Contact the nearest authorized service facility for examination, repair, or adjustment.
- Please contact qualified service technician when you need maintenance. Do not disassemble or repair by yourself !
- Any maintenance and inspection shall be performed by the personnel having expertise concerned.

LSIS Co., Ltd.

©2006. LSIS Co., Ltd. All Rights Reserved.

HEAD OFFICE

LS Tower, 127, LS-ro, Dongan-gu, Anyang-si, Gyeonggi-Do, 431-848, Korea

■ Southeast Asia	+82-2-2034-4888	cshwang@lsis.com (Charles Hwang)
■ Europe	+82-2-2034-4676	sukyong@lsis.com (Brian Choi)
■ Turkey/Israel/CIS	+82-2-2034-4879	dkimc@lsis.com (Daniel Kim)
■ Oceania	+82-2-2034-4394	kacho@lsis.com (Kendra Cho)
■ North/Latin America	+82-2-2034-4286	hkchung@lsis.com (Hank Raul Chung)
■ Southwest Asia/Africa	+82-2-2034-4467	myleed@lsis.com (Henry Lee)
■ Middle East	+971-4-886-5360	khchoi1@lsis.com (Lambert Choi)

Overseas Subsidiaries

- **LSIS(Shanghai) Co., Ltd. /CHINA**
32nd Room 1-4, 32/F, Great Wall Building, No.3000 North Zhongshan Road, Putuo District, Shanghai, P.R. China
Tel : 86-21-5237-9977(609) Fax : 86-21-5237-7189
- **LSIS(Dalian) Co., Ltd. /CHINA**
No. 15, Liaohexi 3-Road, Economic and Technical Development zone, Dalian, P.R. China
Tel : 86-411-8731-7542 Fax : 86-411-8730-7560 E-Mail : dskim@lsis.com
- **LSIS(Wuxi) Co., Ltd./CHINA**
102-A, National High & New Tech Industrial Development Area, Wuxi, Jiangsu, P.R. China
Tel : 86-510-8534-6666 Fax : 86-510-8534-4078 E-Mail : sojin@lsis.com
- **LS Hukai Electric(Hubei) Co., Ltd./CHINA**
No. 100, Tanjiahe Road, Dianjun District, Yichang City, Hubei Province, P.R. China
Tel : 86-717-667-7536 Fax : 86-717-667-7222 E-Mail : jaewoongh@lsis.com
- **LS-VINA Industrial Systems Co., Ltd./VIETNAM**
Room 1311, 13th, M3-M4 Building 91 Nguyen Chi Thanh street, Hanoi, Vietnam
Tel : 84-4-6275-8055 Fax : 86-21-5237-7189
- **LSIS(ME) FZE/U.A.E.**
LOB 19-205, JAFZA View Tower, Jebel Ali Free Zone, Dubai, United Arab Emirates
Tel : 971-4-886-5360 Fax : 971-4-886-5361 E-Mail : shunlee@lsis.com
- **LSIS Europe B.V./NETHERLANDS**
1st. Floor, Tupolevlaan 48, 1119NZ, Schiphol-Rijk, The Netherlands
Tel : 31-20-654-1420 Fax : 31-20-654-1429 E-Mail : europartner@lsis.com
- **LSIS Japan Co., Ltd./JAPAN**
16th, Higashi-Kan, Akasaka Twin Tower, 2-17-22, Akasaka, Minato-ku, Tokyo, Japan
Tel : 81-3-3582-9128 Fax : 81-3-3582-2667 E-Mail : jschuna@lsis.com
- **LSIS USA Inc./U.S.A.**
2000 Millbrook Drive, Lincolnshire, Chicago, IL 60069, United States of America
Tel : 847-941-8240 Fax : 847-941-8259 E-Mail : ybleeb@lsis.com

Overseas Branches

- **LSIS Shanghai Office/CHINA**
Room E-6, 12th, Huamin Empire Plaza, No.726, West Yan'an Road, Shanghai, P.R. China
Tel : 86-21-5237-9977(702) Fax : 86-21-5237-7189
- **LSIS Beijing Office/CHINA**
Room 2306, Building B Landgent Center, No.24 Middle Road, East 3rd Ring Road, Chaoyang District, Beijing, P.R. China
Tel : 86-10-5761-3127 Fax : 86-10-5761-3128 E-Mail : htroh@lsis.com
- **LSIS Guangzhou Office/CHINA**
Room 1403, 14th, New Poly Tower, 2 Zhongshan Liu Road, Guangzhou, P.R. China
Tel : 86-20-8326-6784 Fax : 86-20-8326-6287 E-Mail : sojhtroh@lsis.com
- **LSIS Qingdao Office/CHINA**
Room 2001, Galaxy Building, 29 ShanDong Road, ShiNan District, QingDao, ShanDong, P.R. China
Tel : 86-532-8501-6058 Fax : 86-532-8501-6057 E-Mail : htroh@lsis.com
- **LSIS Chengdu Office/CHINA**
Room1710, 17/F Huamin Empire Plaza, NO.1 Fuxin Road, Chengdu, P.R. China
Tel : 86-28-8670-3201 Fax : 86-28-8670-3203 E-Mail : yangcf@lsis.com
- **LSIS ShenYang Office/CHINA**
Room 803, Hongyuan Building, 52 South Nanjing Road, Heping District, Shenyang, P.R. China
Tel : 86-24-2321-9050 Fax : 86-24 -8386-7210 E-Mail : yangcf@lsis.com
- **LSIS Jinan Office/CHINA**
Room 417, Chuangzhan Center, No. 201, Shanda Road, Lixia District, Jinan, Shandong, P. R. China
Tel : 86-531-8263-8026 Fax : 86-531-8263-8027 E-Mail : yangcf@lsis.com
- **LSIS Tokyo Office/JAPAN**
16th, Higashi-Kan, Akasaka Twin Tower, 2-17-22, Akasaka, Minato-ku, Tokyo, Japan
Tel : 81-3-3582-9128 Fax : 81-3-3582-2667
- **LS-VINA Industrial Systems Hochiminh Office/VIETNAM**
4th, Yoco Building, 41 Nguyen Thi Minh Khai Street, Hochiminh City, Vietnam
Tel : 84-8-3822-7941 Fax : 81-84-8-3822-7942 E-Mail : sjbaik@lsis.com
- **LSIS Detroit Office/U.S.A.**
5700 Crooks Rd, Suite 211, Troy, MI 48098, United States of America
Tel : 1-248-792-2637-8 Fax : 1-248-792-2642 E-Mail : sylee@lsis.com
- **LSIS Gurgaon Office/INDIA**
109 First Floor, Park Central, Sector-30, Gurgaon- 122 002, Haryana, India
Tel : +0091-124-493-0070 Fax : 91-1244-930-066 E-Mail : hwyim@lsis.com

Specifications in this catalog are subject to change without notice due to continuous product development and improvement.