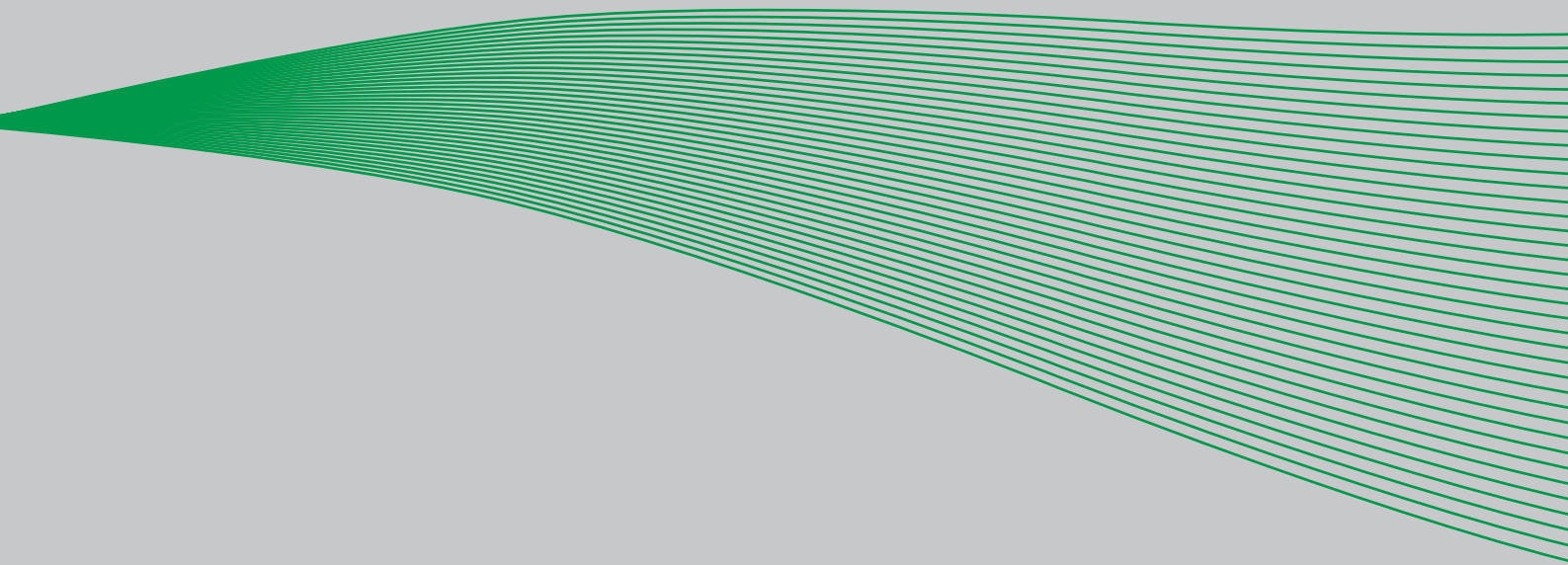


VACON[®] 100 X
AC DRIVES

**INSTALLATION, TECHNICAL AND
MAINTENANCE MANUAL**



VACON[®]
DRIVEN BY DRIVES

INDEX

Document code (Original Instructions): DPD00534E

Order code: DOC-INS03985+DLUK

Rev. E

Revision release date: 11.7.12

1. Safety	2
1.1 Danger	2
1.2 Warnings	3
1.3 Earthing and earth fault protection	4
1.4 Insulation system	6
1.5 Compatibility with RCDs.....	7
1.6 Extended temperature range.....	8
1.7 Electro-magnetic compatibility (EMC).....	8
1.8 Declaration of conformity	9
2. Receipt of delivery.....	12
2.1 Type designation code.....	13
2.2 Unpacking and lifting the AC drive	14
2.3 Accessories	14
2.3.1 STO terminal connector	14
2.3.2 'Product modified' sticker.....	15
3. Mounting.....	16
3.1 Dimensions.....	16
3.2 Introduction of modules	19
3.3 Mounting.....	20
3.3.1 Wall-mounting.....	21
3.3.2 Motor-mounting	21
3.3.3 Segregated modules	21
3.4 Cooling.....	22
4. Power cabling.....	24
4.1 Circuit breaker	25
4.2 UL standards on cabling	25
4.3 Cable dimensioning and selection.....	26
4.3.1 Cable and fuse sizes, frames MM4 to MM6	26
4.3.2 Brake resistor cables.....	27
4.3.3 Control cables	27
4.4 Cable installation	28
5. Control unit	32
5.1 Control unit cabling.....	33
5.1.1 Control cable sizing.....	33
5.1.2 Standard I/O terminals.....	34
5.1.3 Relay and thermistor input terminals	35
5.1.4 Safe Torque off (STO) terminals	35
5.1.5 Selection of terminal functions with dip switches.....	36
5.1.6 Isolating digital inputs from ground	36
5.1.7 Bus termination of the RS485 connection	37
5.2 I/O cabling and Fieldbus connection.....	38
5.2.1 Prepare for use through Ethernet	38
5.2.2 Prepare for use through RS485	39
5.2.3 RS485 cable data	40
5.3 Battery installation for Real Time Clock (RTC).....	41
6. Commissioning.....	42

6.1	Commissioning of the drive	43
6.2	Changing EMC protection class	44
6.3	Running the motor	46
6.3.1	Cable and motor insulation checks	46
6.4	Maintenance	47
7.	Technical data	48
7.1	AC drive power ratings	48
7.1.1	Mains voltage 3AC 208-240V	48
7.1.2	Mains voltage 3AC 380-480V	49
7.1.3	Definitions of overloadability	50
7.2	Brake resistor ratings	51
7.3	Vacon 100 X - technical data	52
7.3.1	Technical information on control connections	55
8.	Options	58
8.1	Mains switch	58
8.1.1	Installation	58
8.2	Control Keypad	62
8.2.1	Mounting onto the drive	62
8.2.2	Installation	63
8.2.3	Wall-mounting	65
8.2.4	Graphical and Text keypad	67
8.2.5	Vacon keypad with graphical display	68
8.2.6	Vacon keypad with text segment display	73
8.2.7	Fault Tracing	76
9.	Safe Torque Off	84
9.1	General description	84
9.2	Warnings	84
9.3	Standards	85
9.4	The principle of STO	86
9.4.1	Technical details	87
9.5	Connections	88
9.5.1	Safety Capability Cat. 4 / PL e / SIL 3	89
9.5.2	Safety Capability Cat. 3 / PL e / SIL 3	91
9.5.3	Safety Capability Cat. 2 / PL d / SIL 2	91
9.5.4	Safety Capability Cat. 1 / PL c / SIL 1	92
9.6	Commissioning	93
9.6.1	General wiring instructions	93
9.6.2	Checklist for the commissioning	93
9.7	Parameters and fault tracing	94
9.8	Maintenance and diagnostics	95

1. SAFETY

This manual contains clearly marked cautions and warnings which are intended for your personal safety and to avoid any unintentional damage to the product or connected appliances.

Please read the information included in cautions and warnings carefully.

Vacon 100 X is a drive conceived for controlling asynchronous AC motors and permanent magnet motors. The product is intended to be installed in a restricted access location and for a general purpose use.

Only by Vacon authorized, trained and qualified personnel are allowed to install, operate and maintain the drive.

The cautions and warnings are marked as follows:




	= DANGEROUS VOLTAGE!
	= HOT SURFACE
	= WARNING or CAUTION

Table 1. Warning signs.

1.1 DANGER



The **components of the power unit of Vacon 100 X drives are live** when the drive is connected to mains potential. Coming into contact with this voltage is **extremely dangerous** and may cause death or severe injury.



The **motor terminals (U, V, W), the brake resistor terminals and the DC-terminals are live** when Vacon 100 X Drive is connected to mains, even if the motor is not running.



After disconnecting the AC drive from the mains, **wait** until the indicators on the keypad go out (if no keypad is connected, see the indicators on the cover). Wait 30 more seconds before doing any work on the connections of Vacon 100 X Drive. Do not open the unit before this time has expired. After expiration of this time, use a measuring equipment to absolutely ensure that no voltage is present. **Always ensure absence of voltage before starting any electrical work!**



The control I/O-terminals are isolated from the mains potential. However, the **relay outputs and other I/O-terminals may have a dangerous control voltage** present even when Vacon 100 X drive is disconnected from mains.



Before connecting the AC drive to mains make sure that the powerhead of Vacon 100 X Drive is mounted firmly on the terminal box.



During a coast stop (see the Application Manual), the motor is still generating voltage to the drive. Therefore, do not touch the components of the AC drive before the motor has completely stopped and wait until the indicators on the keypad go out (if no keypad is connected, see the indicators on the cover). Wait additional 30 seconds before starting any work on the drive.

1.2 WARNINGS



Vacon 100 X AC drive is meant for **fixed installations** (on the motor or on the wall) **only**.



Only Safety Extra Low Voltage (SELV) circuits are allowed to be connected to the control unit. This hint aims to protect both the drive and the client-application. Vacon is not responsible for direct or consequential damages resulting from unsafe connections of external circuits to the drive. See paragraph 1.4 for more details.



Do not perform any measurements when the AC drive is connected to the mains.



The **touch current** of Vacon 100 X AC drives exceeds 3.5mA AC. According to standard EN61800-5-1, **a reinforced protective ground connection** must be ensured. See paragraph 1.3 for more details.



If the AC drive is used as a part of a machine, the **machine manufacturer is responsible** for providing the machine with a **supply disconnecting device** (EN 60204-1). See paragraph 4.1 for more details.



Only **spare parts** delivered by Vacon can be used.



At power-up or fault reset, **the motor will start immediately** if the start signal is active, unless the pulse control for Start/Stop logic has been selected) and the STO inputs are ready to be used (normal operation). The I/O functionalities (including start inputs) may change if parameters, applications or software are changed. Disconnect, therefore, the motor if an unexpected start can cause danger. This is valid only if STO inputs are energized. For prevention on unexpected restart, use appropriate safety relay connected to the STO inputs.



The **motor starts automatically** after automatic fault reset if the autoreset function is activated. See the Application Manual for more detailed information. This is valid only if STO inputs are energized. For prevention on unexpected restart, use appropriate safety relay connected to the STO inputs.



Before performing any measurement on the motor or on the motor cable, disconnect the motor cable from the AC drive.



Do not perform any voltage withstand test on any part of Vacon 100 X. The tests shall be performed according to a specific procedure. Ignoring this procedure may damage the product.



Do not touch the components on the circuit boards. Static voltage discharge may damage the components.



Check that the **EMC level** of the AC drive corresponds to the requirements of your supply network. See paragraph 6.2 for more details.




In a domestic environment, this product may cause radio interference in which case supplementary mitigation measures may be required.

1.3 EARTHING AND EARTH FAULT PROTECTION



CAUTION!

The Vacon 100 X AC drive must always be earthed with an earthing conductor connected to the earthing terminal marked with .

Since the touch current exceeds 3.5 mA AC, according to EN61800-5-1, the drive shall have a fixed connection and provision of an **additional terminal for a second protective earthing conductor** of the same cross-sectional area as the original protective earthing conductor.

Three screws are provided on the terminal-box for: the ORIGINAL protective earthing conductor, the SECOND protective conductor and the MOTOR protective conductor (the customer can choose the screw for each one).

The power-head is earthed through a metal aglet, located on the terminal-box, which fits into a spring basket on the powerhead. See Figure 1 and Figure 2 for the location of the three screws and the metal aglet. Please, pay attention not to damage or remove this aglet.

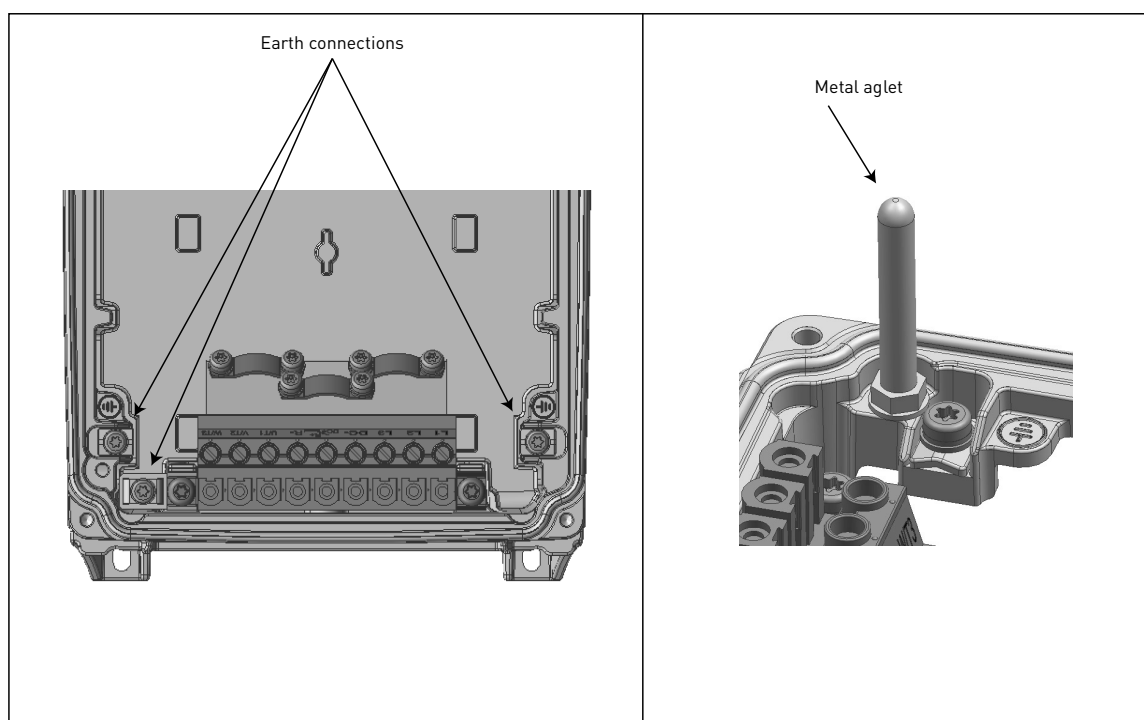


Figure 1. Earth connections and metal aglet in MM4.

In Vacon 100 X, the phase conductor and the corresponding protective earthing conductor can be of the same cross-sectional area, provided they are made of the same metal (because the cross-sectional area of the phase conductor is less than 16 mm²).

The cross-sectional area of every protective earthing conductor which does not form a part of the supply cable or cable enclosure shall, in any case, be not less than

- 2.5 mm² if mechanical protection is provided or
- 4 mm² if mechanical protection is not provided. For cord-connected equipment, provisions shall be made so that the protective earthing conductor in the cord shall, in the case of failure of the strain-relief mechanism, be the last conductor to be interrupted.

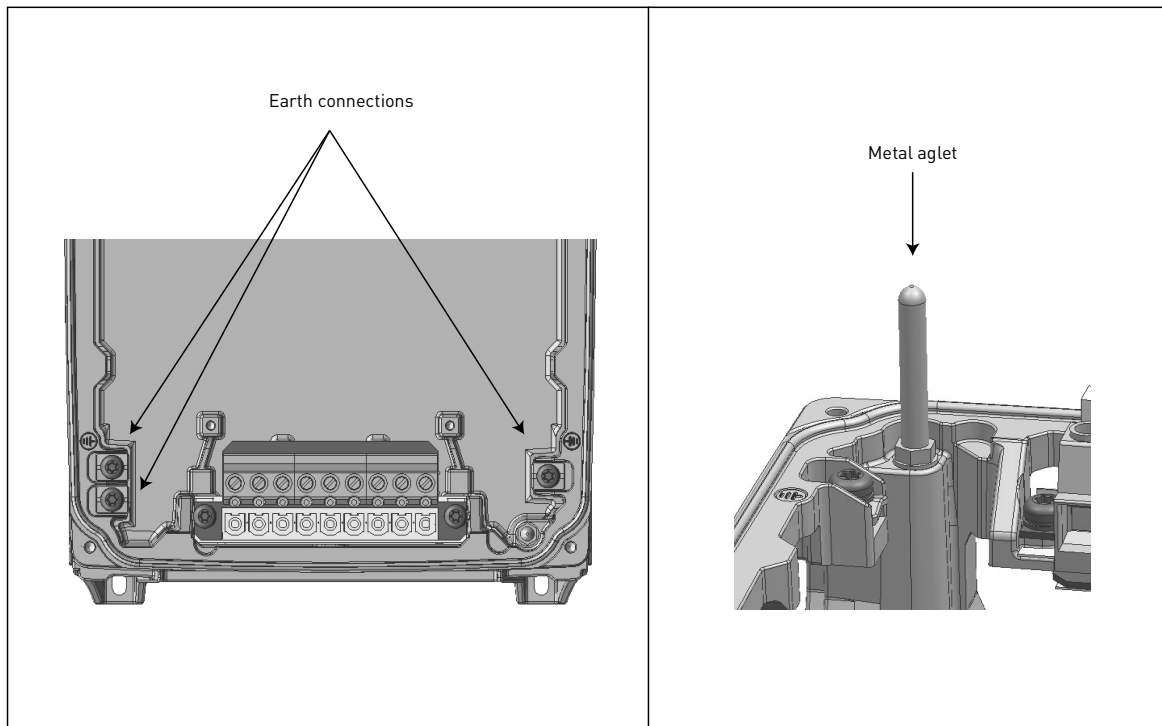


Figure 2. Earth connections and metal aglet in MM5.

However, always follow the local regulations for the minimum size of the protective earthing conductor.

NOTE: Due to the high capacitive currents present in the AC drive, fault current protective switches may not function properly.

1.4 INSULATION SYSTEM



Please, consider carefully the insulation system depicted in Figure 3 before connecting any circuit to the unit.

A distinction has to be made for the following three groups of terminals, according the insulation system of Vacon 100 X:

- Mains and motor connections (L1, L2, L3, U, V, W)
- Relays (R01, R02)^(*)
- Thermistor-input
- Control terminals (I/Os, RS485, Ethernet, STO)

The Control terminals (I/Os, RS485, Ethernet, STO) are isolated from the Mains (the insulation is reinforced, according to IEC 61800-5-1) and **the GND terminals are referred to PE**.

This is important when you need to connect other circuits to the drive and test the complete assembly. Should you have any doubt or question, please contact your local Vacon distributor.

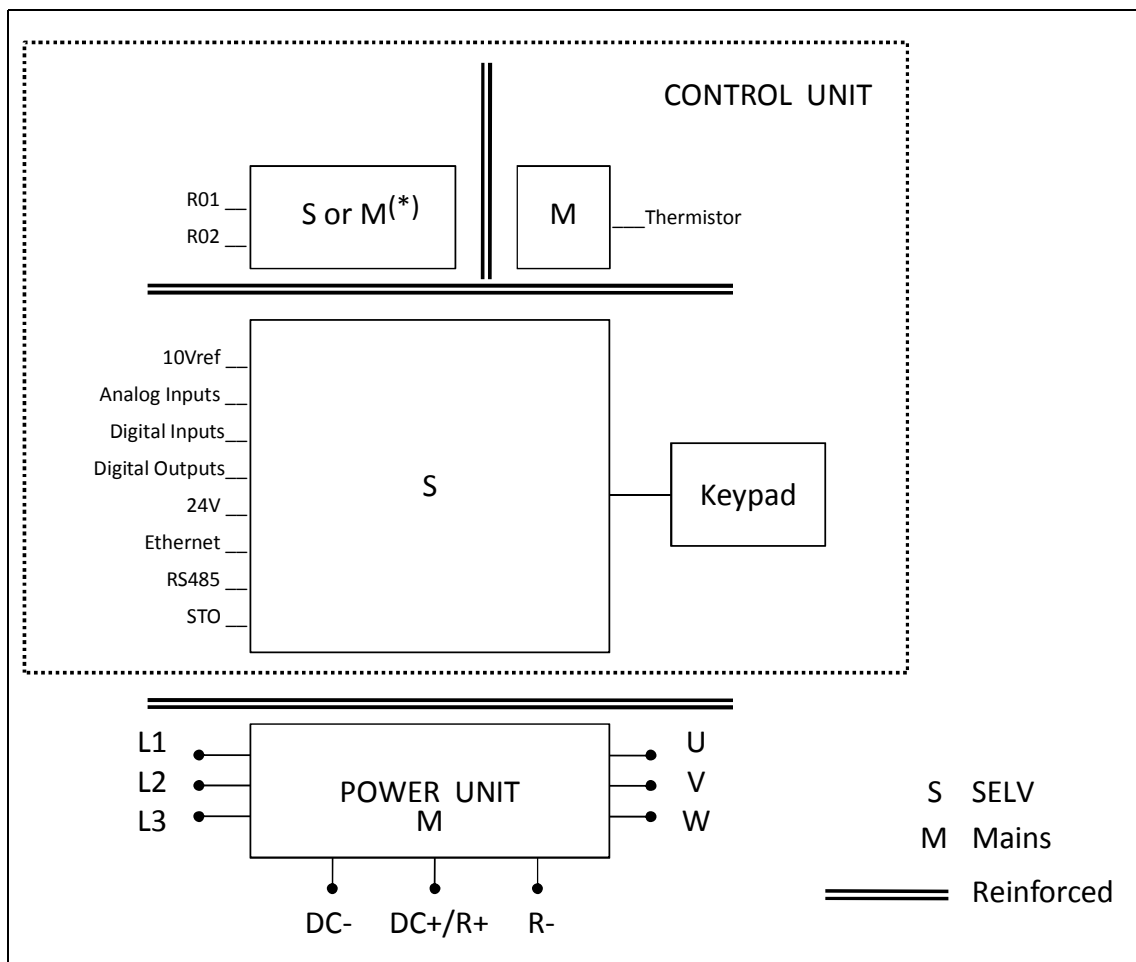


Figure 3. Insulation system.



^(*) The relays may be used also with Safety Extra Low Voltage (SELV) circuits. This is possible only if both relays are used with Safety Extra Low Voltage (SELV) circuit: **to mix Mains and SELV is not allowed**.

1.5 COMPATIBILITY WITH RCDs



This product can cause a d.c. current in the protective earthing conductor. Where a residual current-operated protective (RCD) or monitoring (RCM) device is used for protection in case of direct or indirect contact, only an RCD or RCM of **Type B** is allowed on the supply side of this product.

1.6 EXTENDED TEMPERATURE RANGE

Vacon 100 X has **an integrated cooling system**, independent from the motor fan. Under maximum operating conditions, the ambient temperature cannot exceed **40 °C**. See Table 18 and Table 19 for the output rated current. Higher temperatures are allowed only with derating of the output current. With derating the unit can **operate up to 50°C**. See the Figure 4.

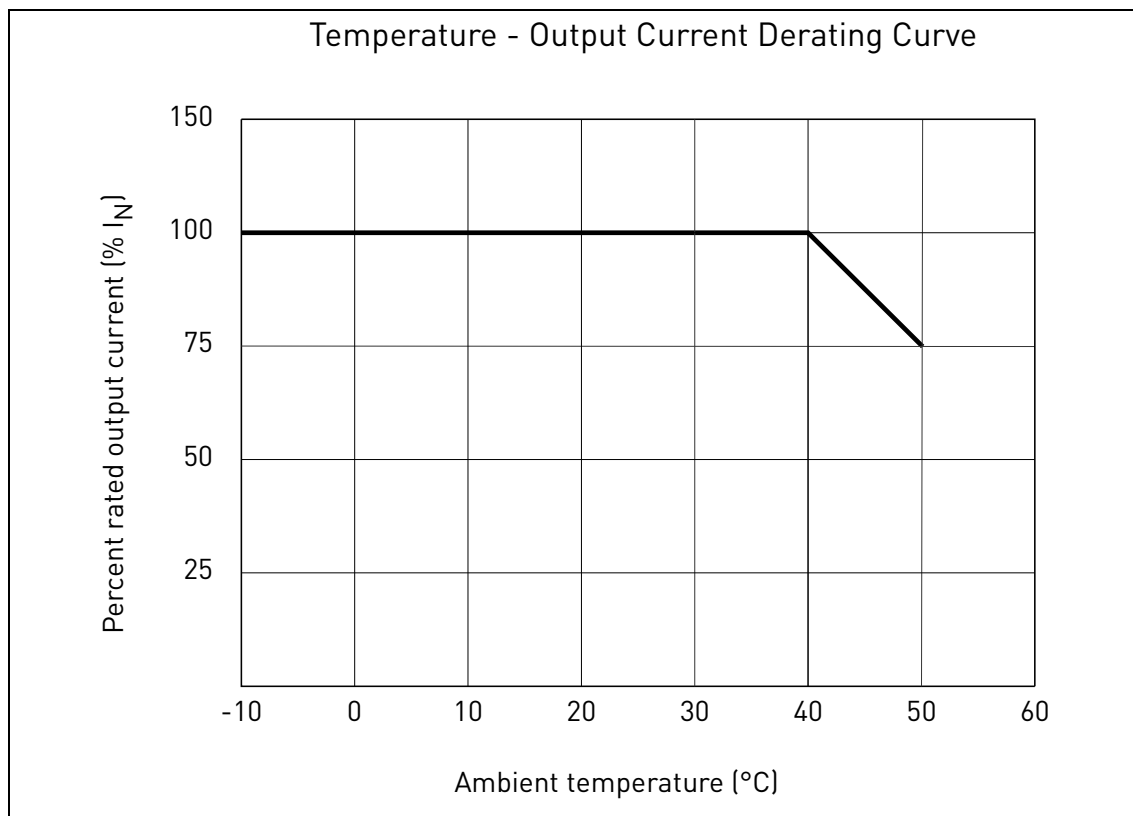



Figure 4. Temperature-output current derating curve.

The AC drive is cooled down by air-ventilation. Therefore, make sure that enough free space is left around the AC drive to ensure sufficient air circulation (see for more details the mounting instructions on chapter 3).

1.7 ELECTRO-MAGNETIC COMPATIBILITY (EMC)

The Vacon 100 X complies with IEC 61000-3-12, provided that the short circuit power (SSC) is greater than or equal to 120 at the interface point between the user's supply and the public system. It is the responsibility of the installer or user of the equipment to ensure, by consultation with the distribution network operator if necessary, that the equipment is connected only to a supply with a short-circuit power SSC greater than or equal to 120.

1.8 DECLARATION OF CONFORMITY



EC DECLARATION OF CONFORMITY

Manufacturer's name: Vacon Srl

Manufacturer's address: Via Roma, 2
I-39014 Postal (BZ), Italy

We hereby declare that the following product

Product name: Vacon 100 AC drive

Product Identification: VACON0100-3L-a-b-c +d +e
a = 0003 – 0012; (Frame Size 4)
a = 0016 – 0031; (Frame Size 5)
b = 4, 5; (Voltage Rating)
c = X; (Enclosure option)
+d, +e = Additional Codes

Product Safety Functions: Safe Torque Off (EN 61800-5-2:2007) and Emergency stop (EN 60204-1:2006 + A1:2009 + AC:2010 in extracts)

Complies with the following EU legislation: Low Voltage Directive (LVD) 2006/95/EC, Electromagnetic Compatibility (EMC) 2004/108/EC, EC Machinery Directive 2006/42/EC.

Notified body that carried out the EC type examination:
TÜV Rheinland Industrie Service GmbH,
Alboinstr. 56, 12103 Berlin / Germany
Certification Body for Machinery NB 0035, Certificate No. 01/205/5219/12

The following standards and/or technical specifications referenced below were used:

- EN 61800-5-2:2007
- EN 61800-5-1:2007 (LV Directive compliance)
- EN 61800-3:2004 (EMC Directive compliance)
- EN ISO 13849-1:2008+AC:2009
- EN 62061:2005+AC:2010

These products are intended for installation in machines. Operation is prohibited until it has been determined that the machines in which these products are to be installed, conforms to the above mentioned EC Directive(s).


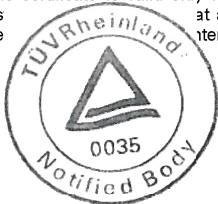

Signature

Postal, 07.05.2012

Andrea Perin
Country Manager



Figure 5. Declaration of conformity.

 TÜVRheinland®	
ZERTIFIKAT	EC Type-Examination Certificate
CERTIFICATE	Reg.-No.: 01/205/5219/12
Product tested	Safety function "Safe Torque Off (STO)" within Adjustable Frequency AC Drive
Certificate holder	Vacon S.R.L. Via Roma, 2 I-39014 Postal (BZ) Italy
Type designation	Vacon 100 X AC Drive VACON0100-3L-a-b-c +d +e a = 0003-0012; (Frame Size 4), a = 0016-0031; (Frame Size 5), b = 4, 5; (Voltage Rating), c = X; (Enclosure Option), +d, +e = Additional Codes
Manufacturer	see certificate holder
Codes and standards forming the basis of testing	EN 61800-5-2:2007 EN 61800-5-1:2007 EN 61800-3:2004 EN ISO 13849-1:2008 + AC:2009
	EN 62061:2005 + AC:2010 IEC 61508 Parts 1-7:2010 EN 60204-1:2006 + A1:2009 + AC:2010 (in extracts)
Intended application	The safety function "Safe Torque Off" complies with the requirements of the relevant standards (PL e acc. to EN ISO 13849-1, SIL CL 3 acc. to EN 61800-5-2 / EN 62061 / IEC 61508) and can be used in applications up to PL e acc. to EN ISO 13849-1 and SIL 3 acc. to EN 62061 / IEC 61508.
Specific requirements	The instructions of the associated Installation and Operating Manual shall be considered.
It is confirmed that the product under test complies with the requirements for machines defined in Annex I of the EC Directive 2006/42/EC.	
This certificate is valid until 2017-05-31.	
<p>The test report-no.: 968/M 351.00/12 dated 2012-05-31 is an integral part of this certificate.</p> <p>This certificate is valid only for products which are identical with the product tested at any change of the codes and standards forming the intended application.</p>	
	
Berlin, 2012-05-31	Dipl.-Ing. Eberhard Frejno
Certification Body for Machinery, NB 0035	

TÜV Rheinland Industrie Service GmbH, Albinstr. 56, 12103 Berlin / Germany
 Tel.: +49 30 7562-1557, Fax: +49 30 7562-1370, E-Mail: tuvrat@de.tuv.com

Figure 6. STO certificate.

2. RECEIPT OF DELIVERY

Check the correctness of delivery by comparing your order data to the drive information found on the package label. If the delivery does not correspond to your order, contact the supplier immediately. See chapter 2.3.

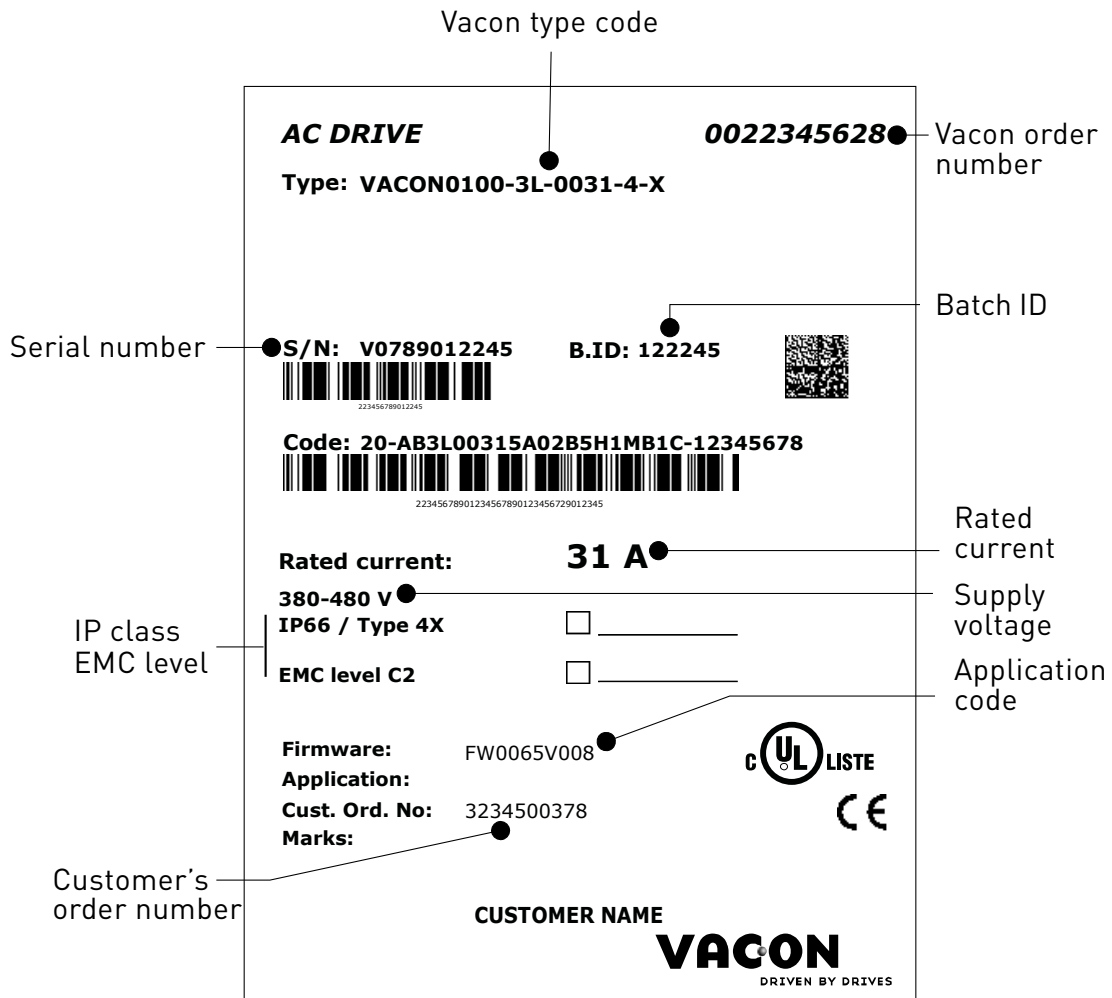


Figure 7. Vacon package label.

2.1 TYPE DESIGNATION CODE

Vacon type designation code is formed of a nine-segment code and optional +codes. Each segment of the type designation code uniquely corresponds to the product and options you have ordered. The code is of the following format:

VACON0100-3L-0061-4-X +xxxx +yyyy

VACON

This segment is common for all products.

0100

Product range:

0100 = Vacon 100

3L

Input/Function:

3L = Three-phase input

0061

Drive rating in ampere; e.g. 0061 = 61 A

See Table 18 and Table 19 for all the drive ratings.

4

Supply voltage:

2 = 208-240 V

4 = 380-480 V

X

-IP66/ Type 4X

-EMC-level C2

-Two relay outputs

-One thermistor input

+xxxx +yyyy

Additional codes.

Examples of additional codes:

+HMGR

Graphical keypad IP66

2.2 UNPACKING AND LIFTING THE AC DRIVE

The weights of the AC drives vary according to frame size. You may need to use a piece of special lifting equipment to move the converter from its package. Note the weights of each individual frame size in Table 2 below.

Frame	Weight [kg]
MM4	8.8
MM5	14.9
MM6	31.5

Table 2. Frame weights.

Vacon 100 X drives have undergone scrupulous tests and quality checks at the factory before they are delivered to the customer. However, after unpacking the product, check that no signs of transport damages are to be found on the product and that the delivery is complete.

Should the drive have been damaged during the shipping, please contact primarily the cargo insurance company or the carrier.

2.3 ACCESSORIES

After lifting the converter out, check that the delivery is complete and the following accessories are included:

- STO terminal connector (six pins black connector, see Figure 8.)
- 'Product modified' sticker

2.3.1 STO TERMINAL CONNECTOR

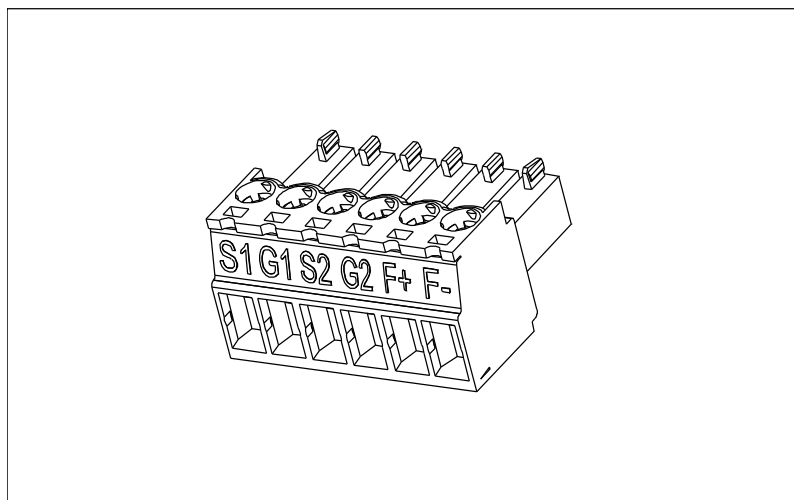


Figure 8. STO connector.

2.3.2 'PRODUCT MODIFIED' STICKER

In the small plastic bag included in the delivery you will find a silver *Product modified* sticker. The purpose of the sticker is to notify the service personnel about the modifications made in the AC drive. Attach the sticker on the side of the AC drive to avoid losing it. Should the AC drive be later modified mark the change on the sticker.

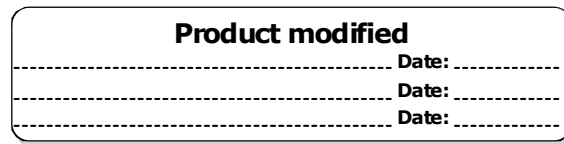


Figure 9. 'Product modified' sticker.

3. MOUNTING

Vacon 100 X is the ideal solution for a decentralised installation. It is conceived to be mounted on a wall or directly on the motor, saving space and reducing the cabling complexity. In both of the cases, it must be ensured that the mounting plane is even.

3.1 DIMENSIONS

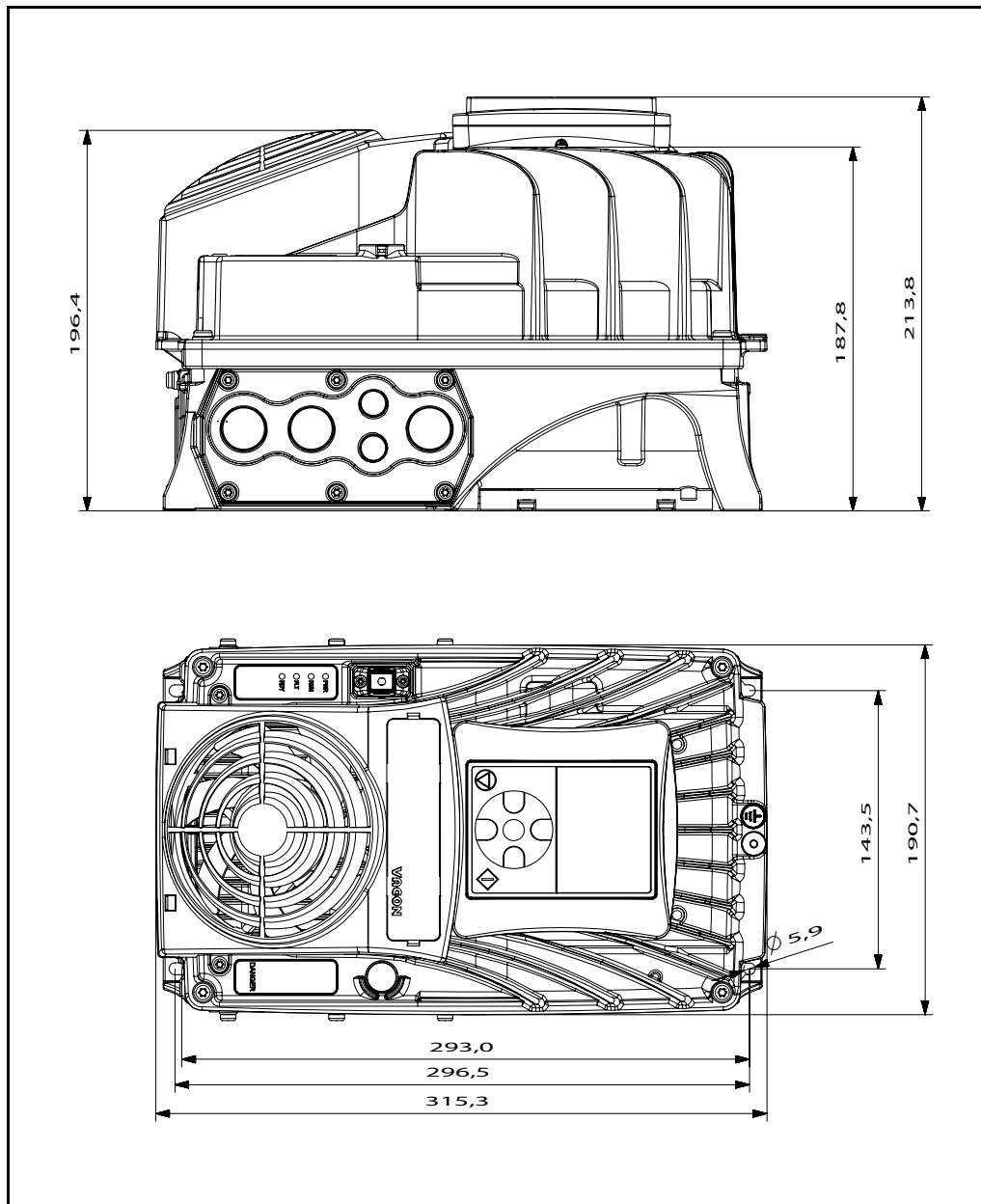


Figure 10. Vacon 100 X drive dimensions, MM4.

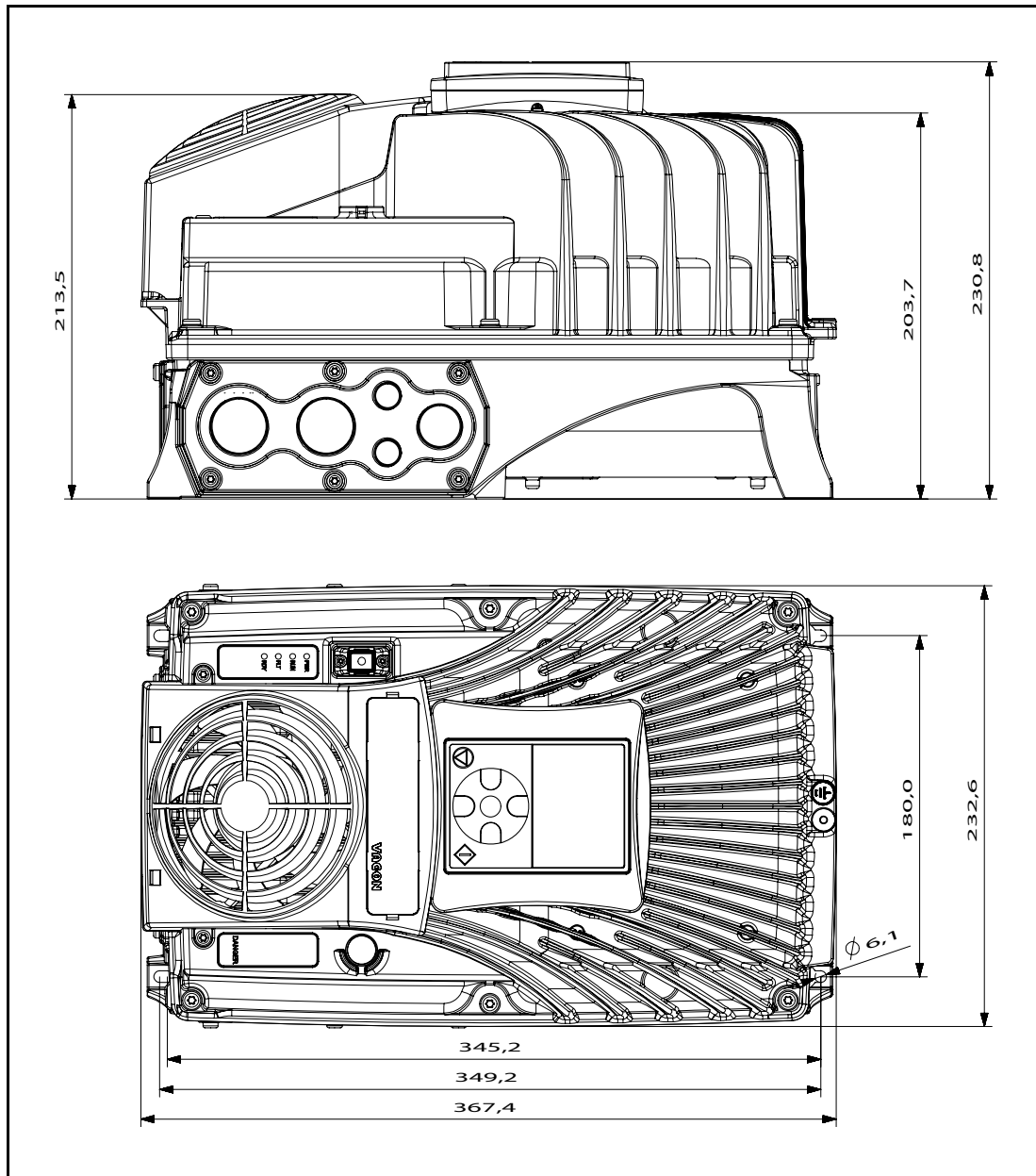


Figure 11. Vacon 100 X drive dimensions, MM5.

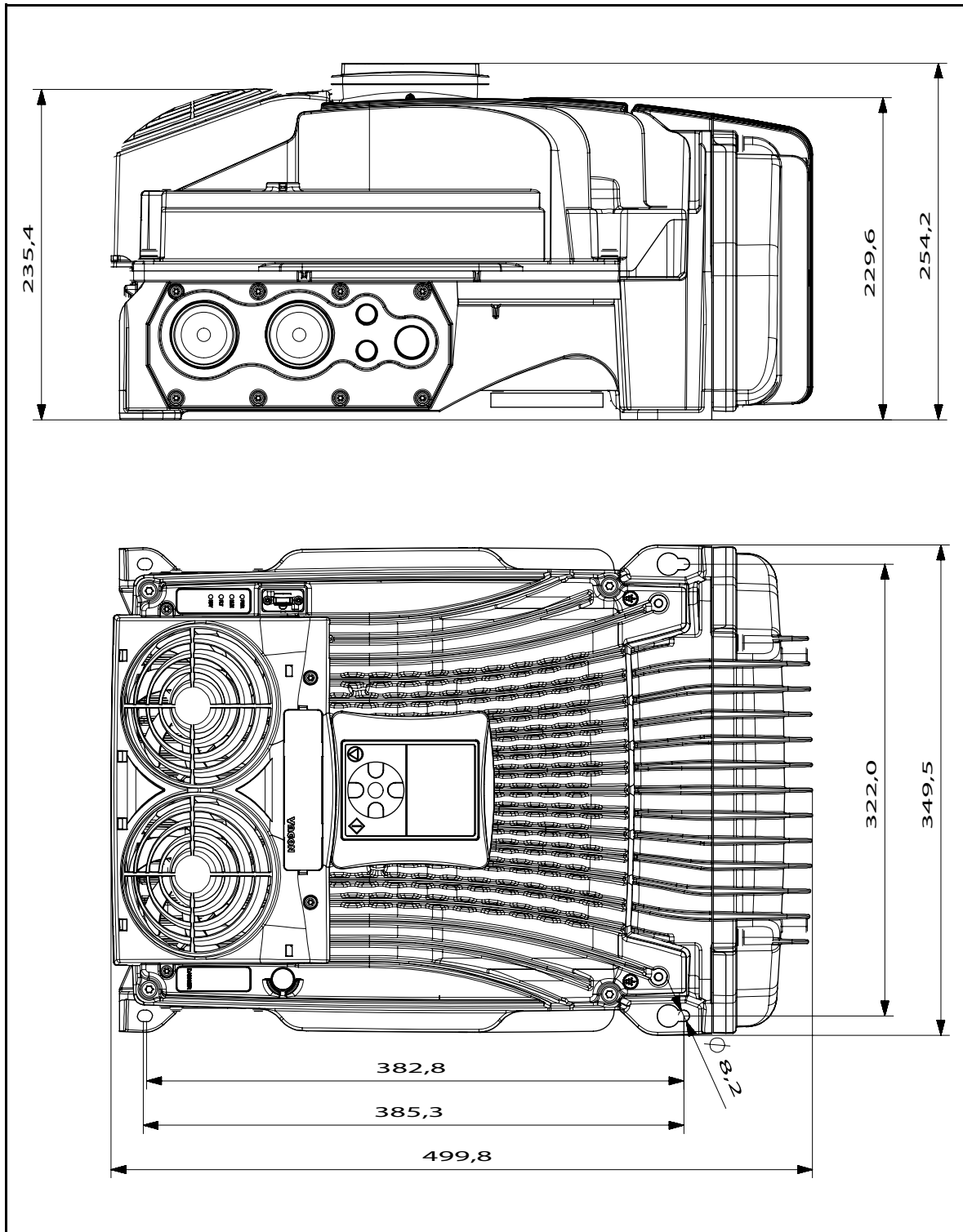


Figure 12. Vacon 100 X drive dimensions, MM6.

3.2 INTRODUCTION OF MODULES

The mechanical concept of Vacon 100 X drive is based on two segregated parts, power and control, connected to each other by pluggable terminals. The power unit, called powerhead, includes all the power electronics such as the EMC-filter, IGBTs, capacitors, choke or power boards while the control board and the control terminals are located in the terminal box.

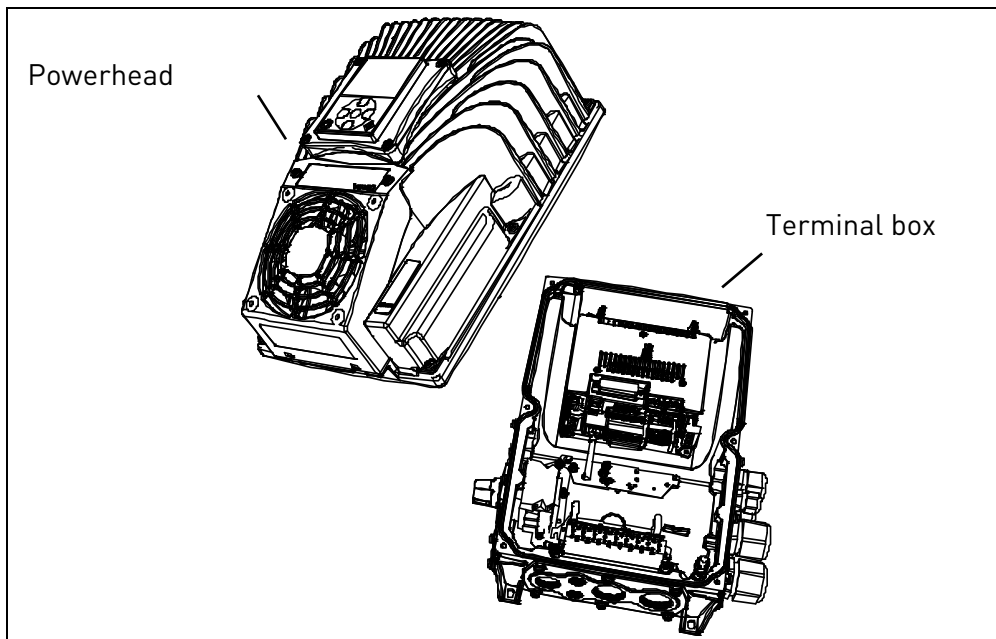


Figure 13. Vacon 100 X drive modules.

3.3 MOUNTING

The drive consists of two main elements:

1. The terminal box that includes the power terminals and control board with the control terminals and
2. The powerhead containing all the power electronics.

To install the drive, both parts need to be separated. The terminal box must be fixed first and all cabling done. After this, the powerhead will be plugged on the terminal box and fixed with 4 (MM4 and MM6) or 6 (MM5) dedicated screws located on top side of the powerhead (see Figure 14.). In order to guarantee specified IP protection, recommended fastening torque is 2-3 Nm. The screws should be tightened crosswise.

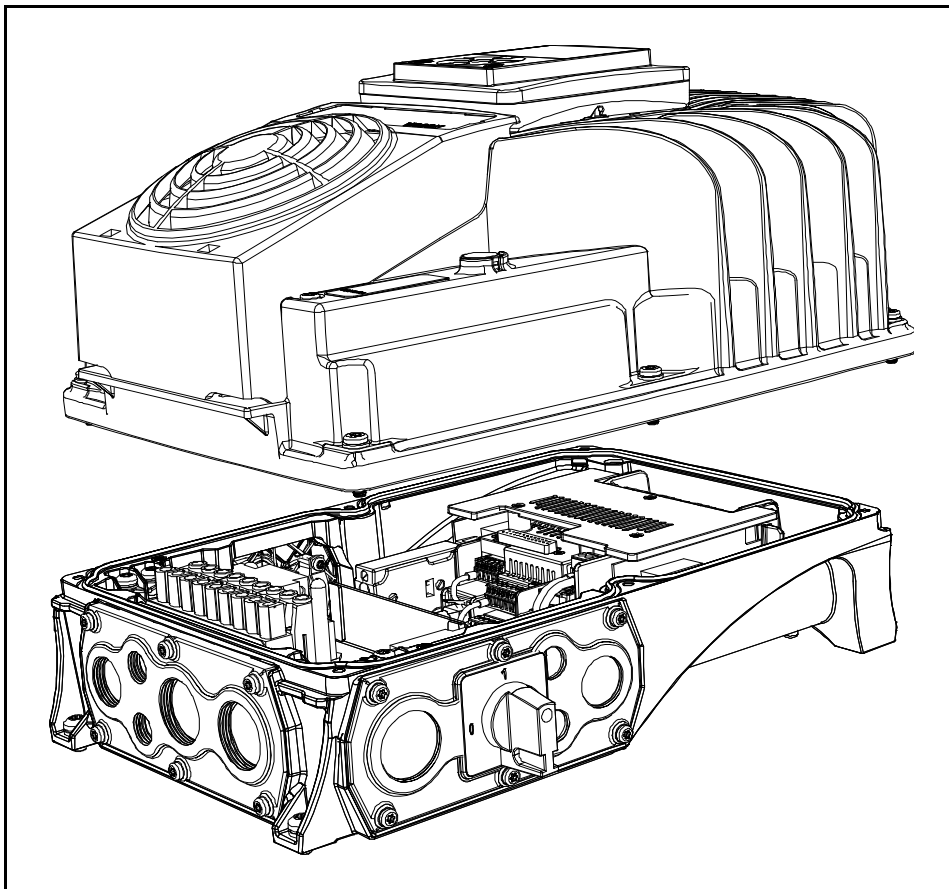


Figure 14. Separation of modules(MM5 example).

3.3.1 WALL-MOUNTING

The drive can be mounted in vertical or horizontal position on the wall or any other relatively even mounting plane or machine frame and fixed with the screws recommended in Table 3.

Recommended screw or bolt size for MM4 is M5, for MM5 M6 and MM6 is M8.

Frame	Screw number	Screw size
MM4	4	M5
MM5	4	M6
MM6	4	M8

Table 3. Screws for wall mounting.

3.3.2 MOTOR-MOUNTING

The drive can also be mounted on a motor (on top or on any side of the motor). The drive is equipped with a cooling system independent of the motor. Motor-mounting requires special adapting components. Contact your local Vacon distributor for additional information.

3.3.3 SEGREGATED MODULES

In order to ease replacements in case of failure, the power and the control sub-systems are enclosed in two segregated parts, connected together through pluggable terminals:

- Power-head: heat-sink enclosing all power electronics
- Terminal-box: block containing unit control and power terminals

Firstly, the terminal-box has to be fixed and the cabling has to be done. Secondly, the power-head has to be plugged and fixed to the terminal-box with dedicated screws (see Table 4). In order to preserve the specified IP protection class, **the recommended fastening torque is 2-3 Nm.**

Frame	Screw number	Screw size
MM4	4	M5
MM5	6	M5
MM6	4	M6

Table 4. Screws for fixing the powerhead to the terminal box.

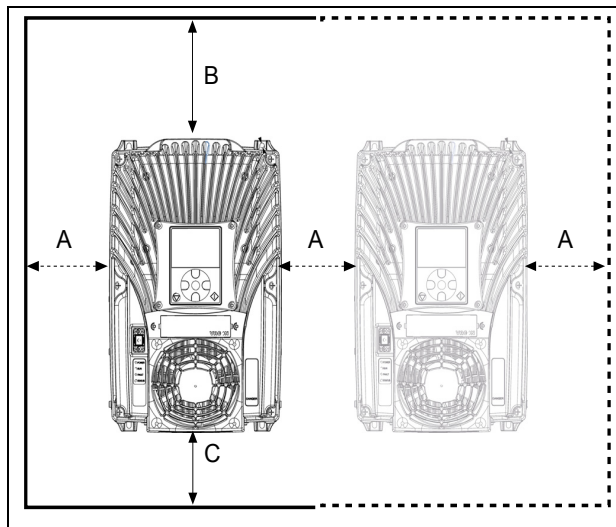
3.4 COOLING

The AC drive produces heat in operation and is cooled down by air circulated by a fan. The cooling concept is independent of the motor fan.

Enough free space shall therefore be left around the AC drive to ensure sufficient air circulation and cooling. Different acts of maintenance may also require certain amount of free space.

The minimum clearances given in Table 5 must not be exceeded. It is also important to ensure that the temperature of the cooling air does not exceed the maximum ambient temperature of the converter.

Contact local Vacon distributor for more information on required clearances in different installations.



Min clearance [mm]			
Type	A	B	C
All types	80	160	60

Table 5. Min. clearances around AC drive.

- A = Clearance left and right from the drive
- B = Clearance above the drive
- C = Clearance underneath the AC drive

Figure 15. Installation space.

Type	Cooling air required [m ³ /h]
MM4	140
MM5	140
MM6	280

Table 6. Required cooling air.

Should you need further details on the cooling system of the Vacon 100 X, please contact your local Vacon distributor.

4. POWER CABLING

The mains cables are connected to terminals L1, L2 and L3 and the motor cables to terminals marked with U, V and W. See principal connection diagram in Figure 16. See also Table 7 for the cable recommendations for different EMC levels.

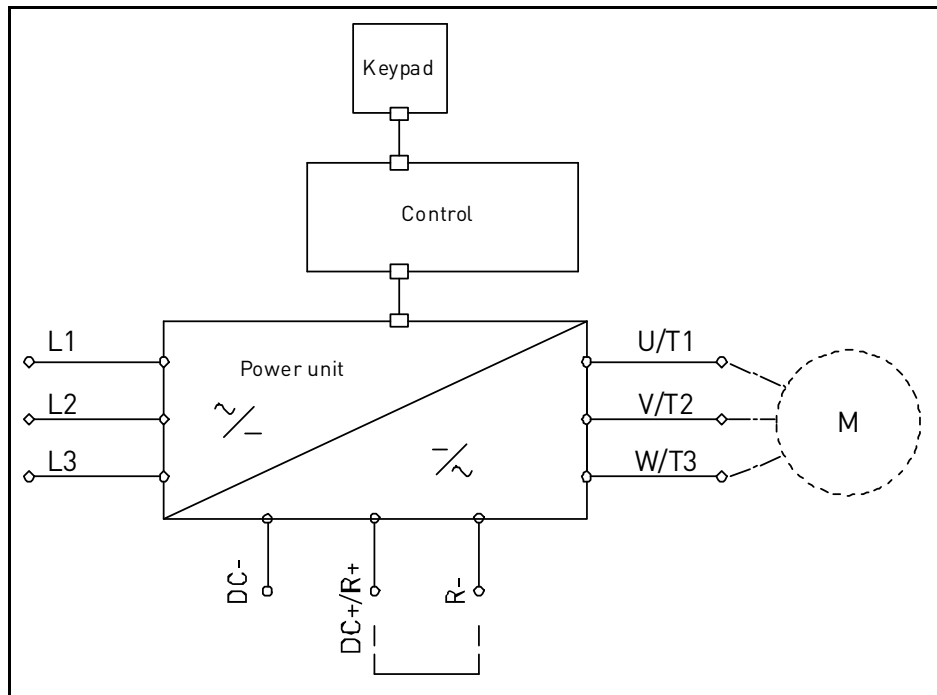


Figure 16. Principal connection diagram.

Use cables with heat resistance in accordance with the application requirements. The cables and the fuses must be dimensioned according to the AC drive nominal OUTPUT current which you can find on the rating plate.

Cable type	EMC levels		
	1 st environment	2 nd environment	
	Category C2	Category C3	Category C4
Mains cable	1	1	1
Motor cable	3*	2	2
Control cable	4	4	4

Table 7. Cable types required to meet standards.

- 1 = Power cable intended for fixed installation and the specific mains voltage. Shielded cable not required. (MCMK or similar recommended).
- 2 = Symmetrical power cable equipped with concentric protection wire and intended for the specific mains voltage. (MCMK or similar recommended). See Figure 17.
- 3 = Symmetrical power cable equipped with compact low-impedance shield and intended for the specific mains voltage. [MCCMK, EMCMK or similar recommended; Recommended cable transfer impedance (1...30MHz) max. 100 mOhm/m]. See Figure 17.
*360° earthing of the shield with cable glands in motor end needed for EMC level C2.
- 4 = Screened cable equipped with compact low-impedance shield (JAMAK, SAB/ÖZCuY-O or similar).

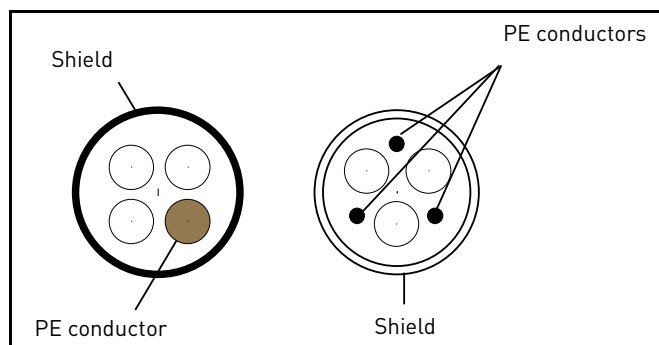


Figure 17.

NOTE: The EMC requirements are fulfilled at factory defaults of switching frequencies (all frames).

NOTE: If safety switch is connected the EMC protection shall be continuous over the whole cable installation.

4.1 CIRCUIT BREAKER

Please, disconnect the drive via an external circuit breaker. You have to provide a switching device between supply and main connection terminals.

When connecting the input terminals to the power supply using a circuit breaker, observe that this is of **type B or type C** and chose it with a **capacity of 1.5 to 2 times of the inverter's rated current** (see Table 18 and Table 19).

4.2 UL STANDARDS ON CABLING

To meet the UL (Underwriters Laboratories) regulations, use a UL-approved copper cable with a minimum heat-resistance of +60/75°C. Use Class 1 wire only.

The units are suitable for use on a circuit capable of delivering not more than 100,000 rms symmetrical amperes, 600V AC maximum.

4.3 CABLE DIMENSIONING AND SELECTION

Table 8 shows the minimum dimensions of the Cu-cables and the corresponding fuse sizes.

These instructions apply only to cases with one motor and one cable connection from the AC drive to the motor. In any other case, ask the factory for more information.

4.3.1 CABLE AND FUSE SIZES, FRAMES MM4 TO MM6

The recommended fuse types are gG/gL (IEC 60269-1) or class T (UL & CSA). The fuse voltage rating should be selected according to the supply network. The final selection should be made according to local regulations, cable installation conditions and cable specification. Bigger fuses than what is recommended below shall not be used.

Check that the fuse operating time is less than 0.4 seconds. Operating time depends on used fuse type and impedance of the supply circuit. Consult the factory about faster fuses. Vacon offers recommendations also for high speed J (UL & CSA), aR (UL recognized, IEC 60269-4) and gS (IEC 60269-4) fuse ranges.

Frame	Type	I_{INPUT} [A]	Fuse (gG/gL) [A]	Mains and motor cable Cu [mm ²]	Terminal cable size	
					Main terminal [mm ²]	Earth terminal [mm ²]
MM4	0003 4 - 0004 4	3.4 - 4.6	6	3*1.5+1.5	1-6 solid 1-4 stranded	1-6 or ring terminal
	0007 2 - 0008 2 0005 4 - 0008 4	6.0 - 7.2 5.4 - 8.1	10	3*1.5+1.5	1-6 solid 1-4 stranded	1-6 or ring terminal
	0011 2 - 0012 2 0009 4 - 0012 4	9.7 - 10.9 9.3 - 11.3	16	3*2.5+2.5	1-6 solid 1-4 stranded	1-6 or ring terminal
MM5	0018 2 0016 4	16.1 15.4	20	3*6+6	1-10 Cu	1-10
	0024 2 0023 4	21.7 21.3	25	3*6+6	1-10 Cu	1-10
	0031 2 0031 4	27.7 28.4	32	3*10+10	1-10 Cu	1-10
MM6	0038 4	36.7	40	3*10+10	2.5 - 50 Cu	2.5 - 35 or ring terminal
	0048 2 0046 4	43.8 43.6	50	3*16+16	2.5 - 50 Cu	2.5 - 35 or ring terminal
	0062 2 0061 4	57.0 58.2	63	3*25+16	2.5 - 50 Cu	2.5 - 35 or ring terminal

Table 8. Cable and fuse sizes for Vacon 100 X.

The cable dimensioning is based on the criteria of the International Standard **IEC60364-5-52**: Cables must be PVC-isolated; Max number of parallel cables is 9.

When using cables in parallel, **NOTE HOWEVER** that the requirements of both the cross-sectional area and the max number of cables must be observed.

For important information on the requirements of the earthing conductor, see chapter Earthing and earth fault protection of the standard.

For the correction factors for each temperature, see International Standard **IEC60364-5-52**.

4.3.2 BRAKE RESISTOR CABLES

Vacon 100 X AC drives are equipped with terminals for an optional external brake resistor. These terminals are marked with **DC+/R+** and **R-**. See Table 20 and Table 21 for the resistor ratings.

4.3.3 CONTROL CABLES

For information on control cables see chapter Control unit.

4.4 CABLE INSTALLATION

- Before starting, check that none of the components of the AC drive is live. Read carefully the warnings in chapter 1.
- Place the motor cables sufficiently far from other cables
- Avoid placing the motor cables in long parallel lines with other cables.
- If the motor cables run in parallel with other cables note the minimum distances between the motor cables and other cables given in table below.

Distance between cables, [m]	Shielded cable, [m]
0.3	≤ 50
1.0	≤ 200

- The given distances also apply between the motor cables and signal cables of other systems.
- The **maximum length with full EMC compliance** for motor cables 15m (C2).
- The motor cables should cross other cables at an angle of 90 degrees.
- If cable insulation checks are needed, see chapter Cable and motor insulation checks.

Start the cable installation according to the instructions below:

1

Strip the motor and mains cables as advised below.

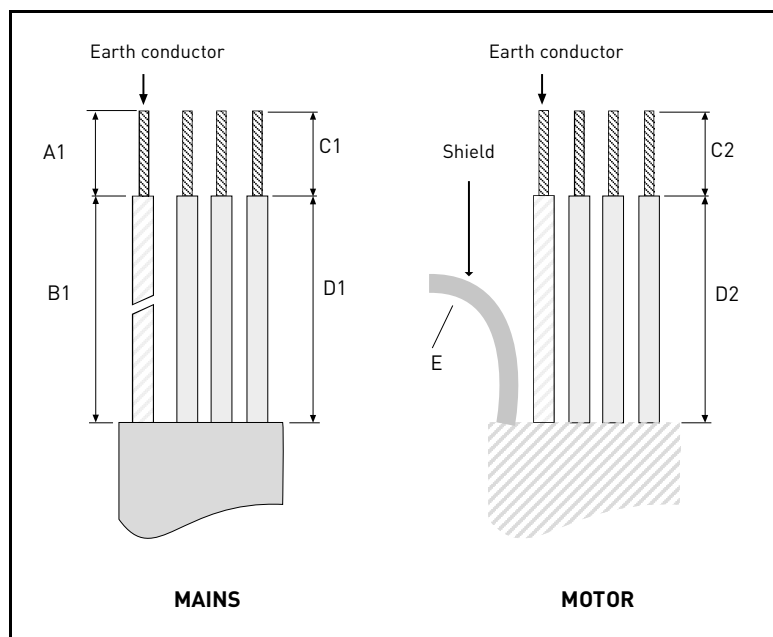


Figure 18. Stripping of cables.

Frame	A1	B1	C1	D1	C2	D2	E
MM4	15	70	10	30	7	30	as short as possible
MM5	20	70	10	40	10	40	
MM6	20	90	15	60	15	60	

Table 9. Cables stripping lengths [mm].

- | | |
|----------|---|
| 2 | <ul style="list-style-type: none"> Remove the cable entry plate. The cable entry system is a combination of a cable entry plate (see the figure below) and cable glands. In the cable entry plate there are several openings available for the cables with ISO metric thread. Open only the inlet holes where you need to run the cables. |
| 3 | <ul style="list-style-type: none"> Choose the correct cable glands according to drive and cable size as shown in the following pictures. |

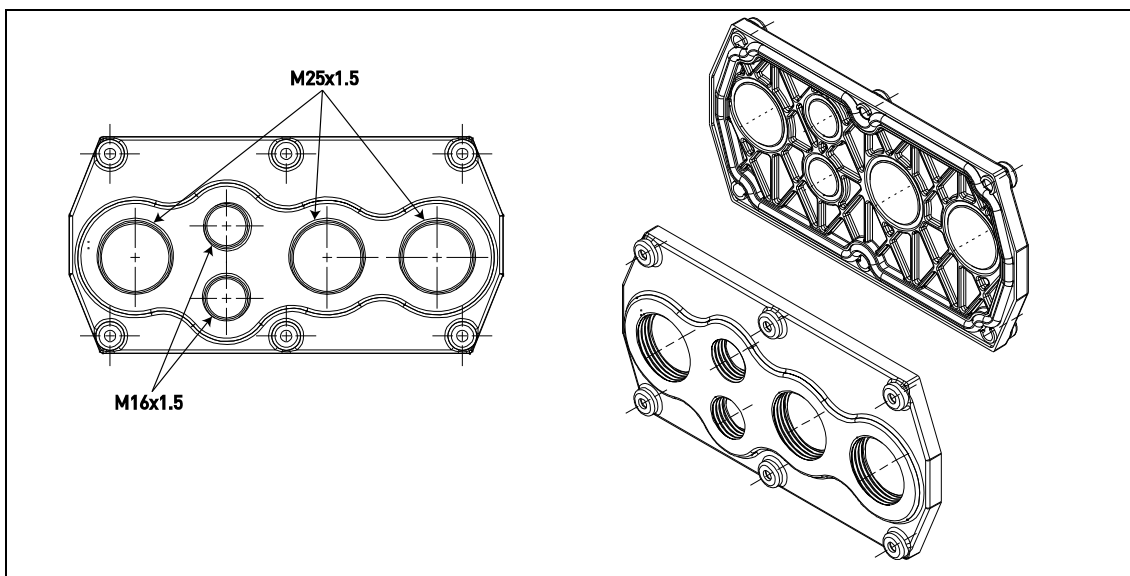


Figure 19. Cable entry plate, MM4.

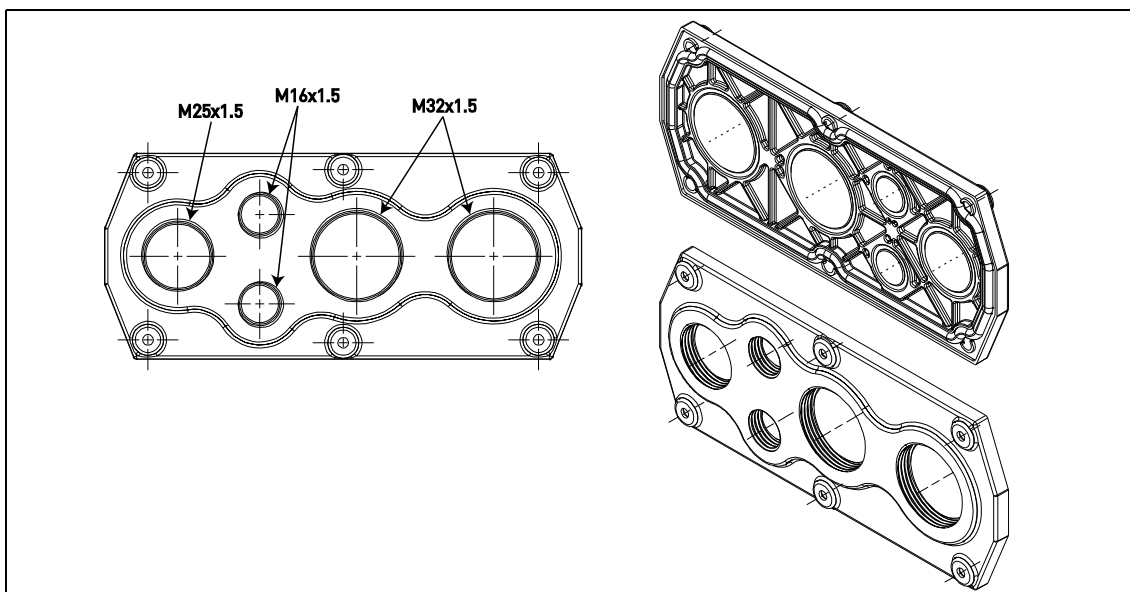


Figure 20. Cable entry plate, MM5.

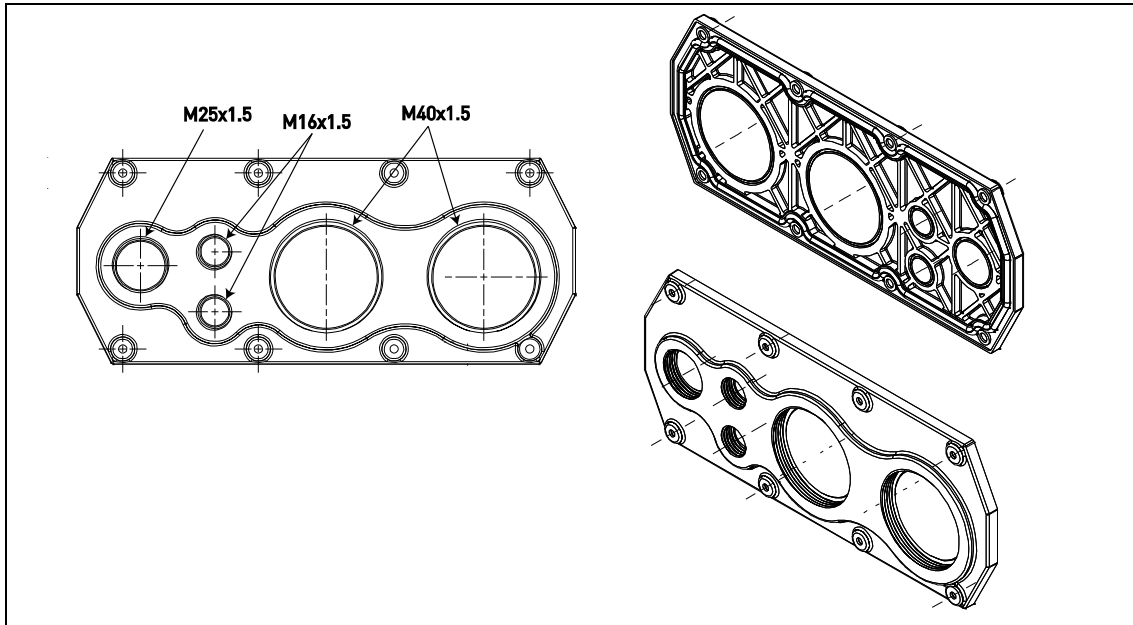


Figure 21. Cable entry plate, MM6.

4	<ul style="list-style-type: none"> • Cable glands must be constructed from plastic materials. They are used for sealing cables passing through gland plates to ensure the characteristics of the enclosure which the cable enters can be maintained adequately.
----------	--

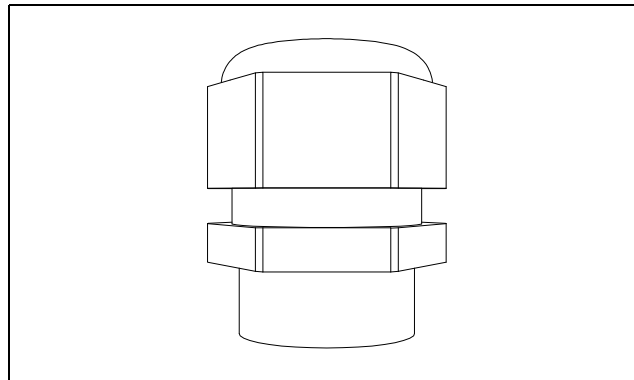


Figure 22. Cable gland.



ONLY PLASTIC GLANDS ARE ALLOWED! METAL GLANDS ARE FORBIDDEN!


5	<ul style="list-style-type: none"> • Screw the cable glands on the cable entry plate.
6	<ul style="list-style-type: none"> • Pass the cables (supply cable, motor cable, brake cable and I/O cables) through the cable glands.
7	<ul style="list-style-type: none"> • Pull the cables into the terminal box and detach the cable clamps and the grounding clamps.

8	<ul style="list-style-type: none"> Place the cable entry plate with the cables in the groove on the AC drive frame.
9	<p>Connect the stripped cables:</p> <ul style="list-style-type: none"> Expose the shield of all two cables in order to make a 360-degree connection with the cable clamp (reverse the shield over the plastic cover of the cable and fix all together). Connect the phase conductors of the supply and motor cables into their respective terminals. Form the rest of the cable shield of all two cables into “pigtailed” and make a grounding connection with the clamp. Make the pigtailed just long enough to reach and be fixed to the terminal - no longer.

Tightening torques of cable terminals:

Frame	Type	Tightening torque [Nm]/[lb-in.] Power and motor terminals		Tightening torque [Nm]/[lb-in.] EMC grounding clamps		Tightening torque, [Nm]/[lb-in.] Grounding terminals	
		[Nm]	lb-in.	[Nm]	lb-in.	[Nm]	lb-in.
MM4	0007 2 - 0012 2 0003 4 - 0012 4	1.2—1.5	10.6—13.3	1.5	13.3	2.0	17.7
MM5	0018 2 - 0031 2 0016 4 - 0031 4	1.2—1.5	10.6—13.3	1.5	13.3	2.0	17.7
MM6	0048 2 - 0062 2 0038 4 - 0061 4	4—5	35.4—44.3	1.5	13.3	2.0	17.7

Table 10. Tightening torques of terminals.

10	<ul style="list-style-type: none"> Check the connection of the earth cable to the motor and the AC drive terminals marked with .
-----------	--

5. CONTROL UNIT

Remove the powerhead of the drive to reveal the terminal box with the control terminals.

The control unit of the AC drive consists of the control board and additional boards (option boards) connected to the slot connectors of the control board. The locations of boards, terminals and switches are presented in Figure 23 below.

Number	Meaning
1	Control terminals 1-11 (see chapter 5.1.2)
2	Control terminals 12-30, A-B (see chapter 5.1.2)
3	Relay terminals (see chapter 5.1.2)
4	Thermistor input (see chapter 5.1.2)
5	STO terminals
6	Dip switches
7	Ethernet terminal (see chapter chapter 5.2.1)
8	Option boards

Table 11. Locations of components in control unit.

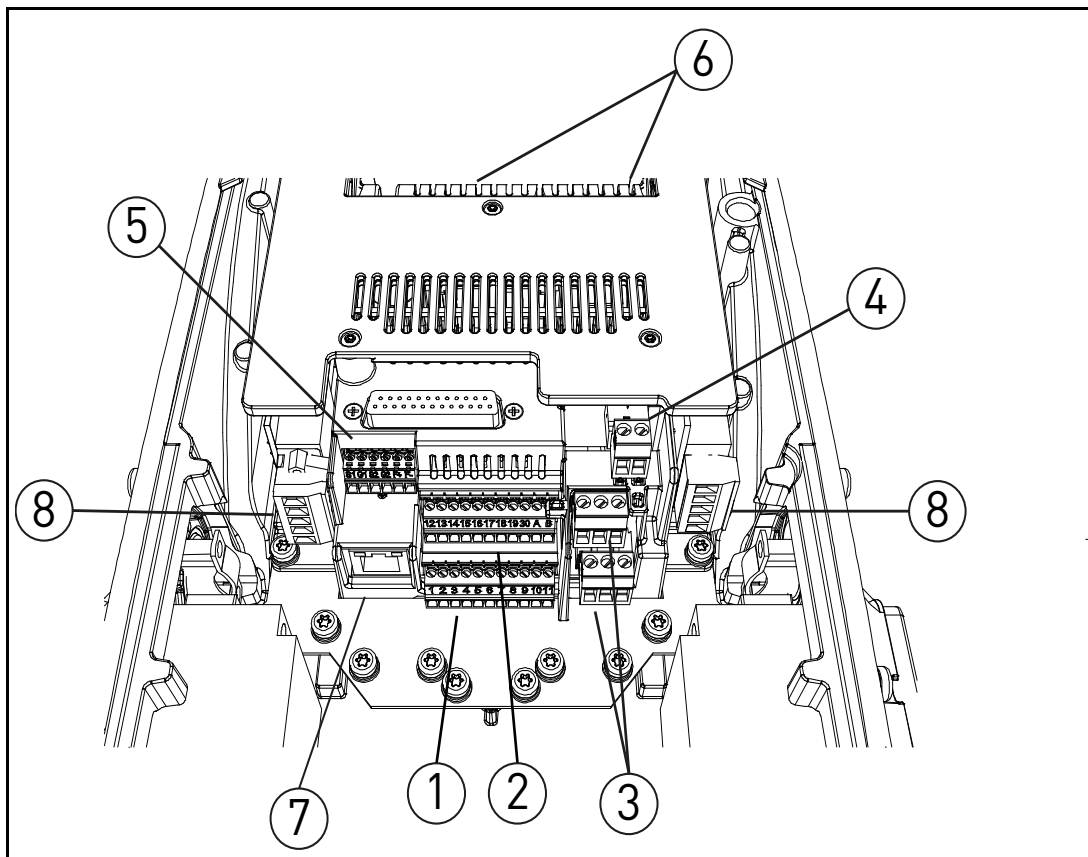


Figure 23. Locations of components in control unit.

When delivered from the factory, the control unit of the AC drive contains the standard controlling interface - the control and relay terminals of the control unit - unless otherwise speci-

cally ordered. On the next pages you will find the arrangement of the control I/O and the relay terminals, the general wiring diagram and the control signal descriptions.

The control board can be powered externally (+24VDC, max. 1000mA, ±10%) by connecting the external power source to terminal #30, see chapter 5.1.2. This voltage is sufficient for parameter setting and for keeping the control unit active. Note however that the measurements of the main circuit (e.g. DC-link voltage, unit temperature) are not available when the mains is not connected.

5.1 CONTROL UNIT CABLING

The principal terminal block placement is presented in Figure 24 below. The control board is equipped with 22 fixed control I/O terminals and the relay board with 6+2. Additionally, the terminals for the Safe Torque Off (STO) function (see chapter chapter 9.) can be seen in the picture below. All signal descriptions are given in Table 13.

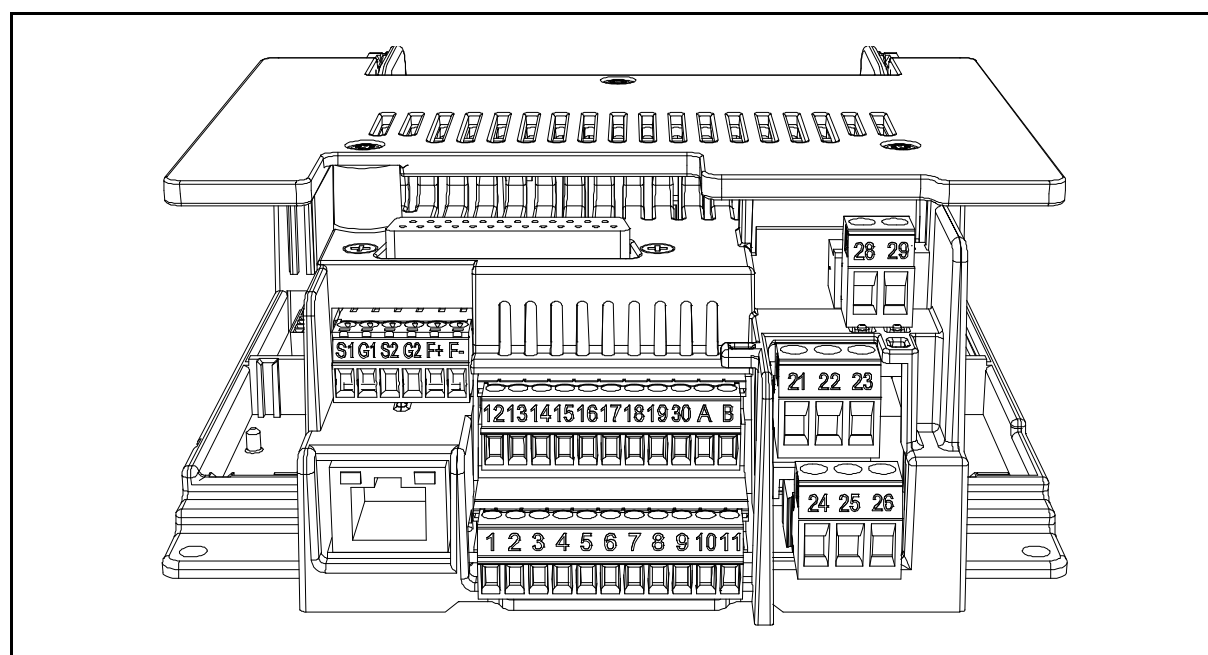


Figure 24. Control terminals.

5.1.1 CONTROL CABLE SIZING

The control cables shall be at least 0.5 mm² screened multicore cables, see Table 12. The maximum terminal wire size is 2.5 mm² for the relay terminals and 1.5 mm² for other terminals.

Find the tightening torques of the control and relay board terminals in Table below.

Terminal screw	Tightening torque	
	Nm	lb-in.
I/O terminals and STO terminals (screw M2)	0.5	4.5
Relay terminals (screw M3)	0.5	4.5

Table 12. Control cable tightening torques.

5.1.2 STANDARD I/O TERMINALS

The terminals of the *Standard I/Os* and the *Relays* are described below. For more information on the connections, see chapter 7.

The terminals shown on shadowed background are assigned for signals with optional functions selectable with DIP switches. See more information in chapter 5.1.5 and in chapter 5.1.6.


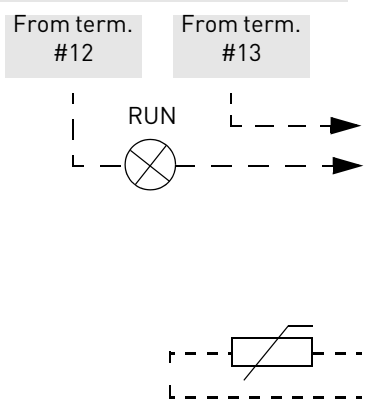

Table 13. Control I/O terminal signals and connection example.

Standard I/O		
Terminal	Signal	
1	+10 Vref	Reference output
2	A1+	Analogue input, voltage or current
3	A1-	Analogue input common
4	A12+	Analogue input, voltage or current
5	A12-	Analogue input common
6	24Vout	24V aux. voltage
7	GND	I/O ground
8	DI1	Digital input 1
9	DI2	Digital input 2
10	DI3	Digital input 3
11	CM	Common for DI1-DI6*
12	24Vout	24V aux. voltage
13	GND	I/O ground
14	DI4	Digital input 4
15	DI5	Digital input 5
16	DI6	Digital input 6
17	CM	Common for DI1-DI6*
18	AO1+	Analogue output, voltage or current
19	AO-/GND	Analogue output common
30	+24 Vin	24V auxiliary input voltage
A	RS485	Serial bus, negative
B	RS485	Serial bus, positive

*. Can be isolated from ground, see chapter 5.1.6.

5.1.3 RELAY AND THERMISTOR INPUT TERMINALS

Table 14. I/O terminal signals for relay and thermistor terminals and connection example.

From standard I/O		Relays and thermistor	
Terminal	Signal	Terminal	Signal
21	R01/1	 Relay output 1	From term. #12 From term. #13 
22	R01/2		
23	R01/3		
24	R02/1	 Relay output 2	
25	R02/2		
26	R02/3		
28	TI1+	Thermistor input	
29	TI1-		

5.1.4 SAFE TORQUE OFF (STO) TERMINALS

For more information on the functionalities of the Safe Torque Off (STO), see chapter 9.

Table 15. I/O terminal signals for the STO functions.

Safe Torque Off terminals	
Terminal	Signal
S1	Isolated digital input 1 (inter-changeable polarity); +24V ±20% 10...15mA
G1	
S2	Isolated digital input 2 (inter-changeable polarity); +24V ±20% 10...15mA
G2	
F+	Isolated feedback (CAUTION! Polarity to be respected); +24V ±20%
F-	Isolated feedback (CAUTION! Polarity to be respected); GND

5.1.5 SELECTION OF TERMINAL FUNCTIONS WITH DIP SWITCHES

The Vacon 100 X drive embodies five so-called *dip switches* that allow for three functional selections each. The shadowed terminals in Table 13 can be functionally modified with the dip switches. The switches have three positions: C, 0 and V. The switch in the position “C” means that the input or the output has been set in current mode. The switch in the position “V” means voltage mode. The middle position “0” is for *Test mode*. See Figure 25 to locate the switches and make appropriate selections for your requirements. Factory defaults are: AI1 = V; AI2 = C, AO = C.

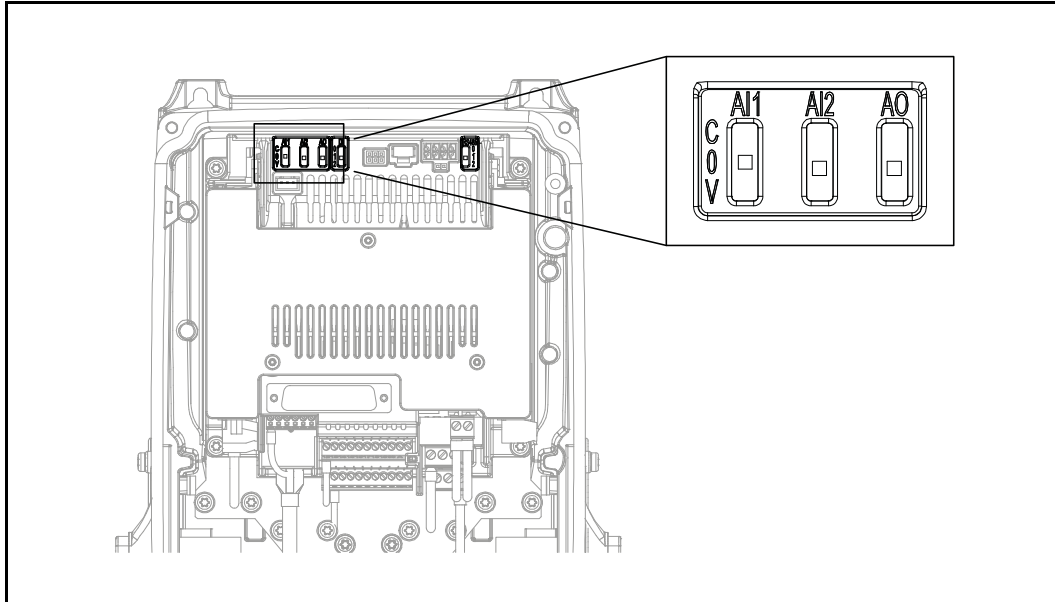


Figure 25. Dip switches for analogue inputs and analogue output.

5.1.6 ISOLATING DIGITAL INPUTS FROM GROUND

The digital inputs (terminals 8-10 and 14-16) on the standard I/O board can be **isolated** from ground by setting the *dip switch* to position ‘0’. The switch in the position “1” means that the common of digital input has been connected to 24 V (negative logic). The switch in the position “2” means that the common of digital inputs has been connected to ground (positive logic). See Figure 26. Locate the switch and set it in desired position. Factory default is 2.

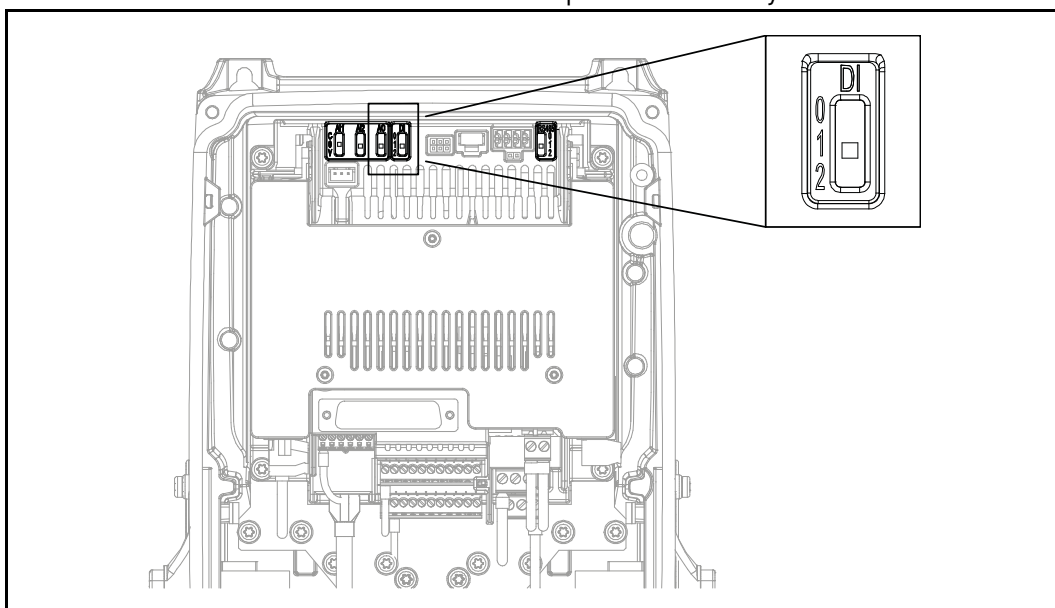


Figure 26. Digital inputs dip switch.

5.1.7 BUS TERMINATION OF THE RS485 CONNECTION

This dip switch is related to the RS485 connection. It's used for bus termination. The bus termination must be set to the first and to the last device on the network. This switch in position "0" means that a termination resistor of 120 ohm is connected and the termination of the bus has been set. This switch in the position "1" means that a pull-up and a pull-down resistors of 10 kOhm have been connected for biasing purpose. The switch in the position "2" means no termination and no biasing resistors have been connected. Factory default is 2. See Figure 27.

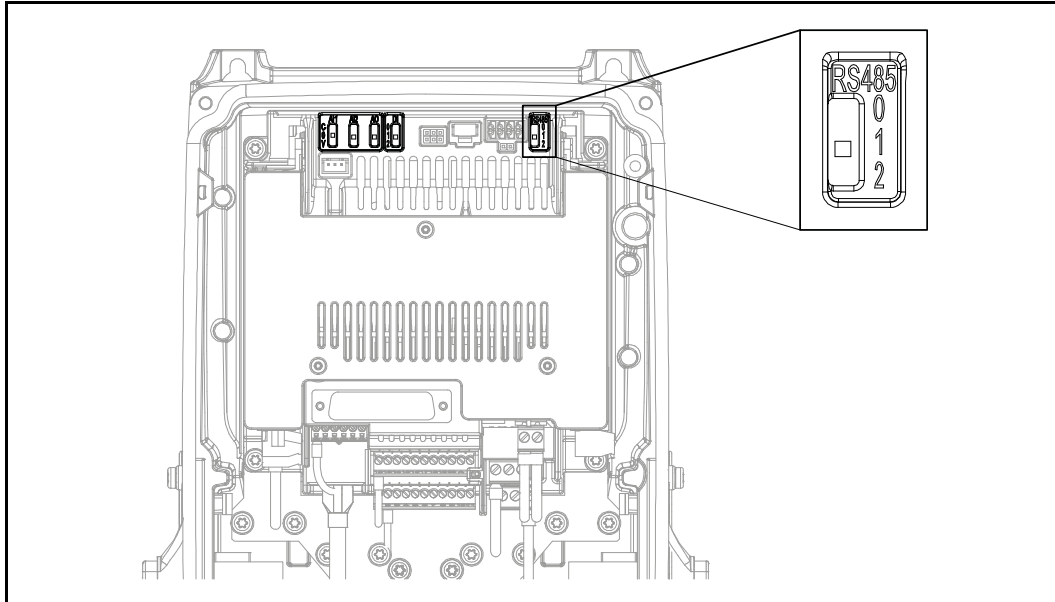


Figure 27. RS485 dip switch.

5.2 I/O CABLING AND FIELDBUS CONNECTION

The AC drive can be connected to fieldbus either through RS485 or Ethernet. The connection for RS485 is on the standard I/O terminals (terminals A and B) and the connection for Ethernet is left to the control terminals. See Figure 28.

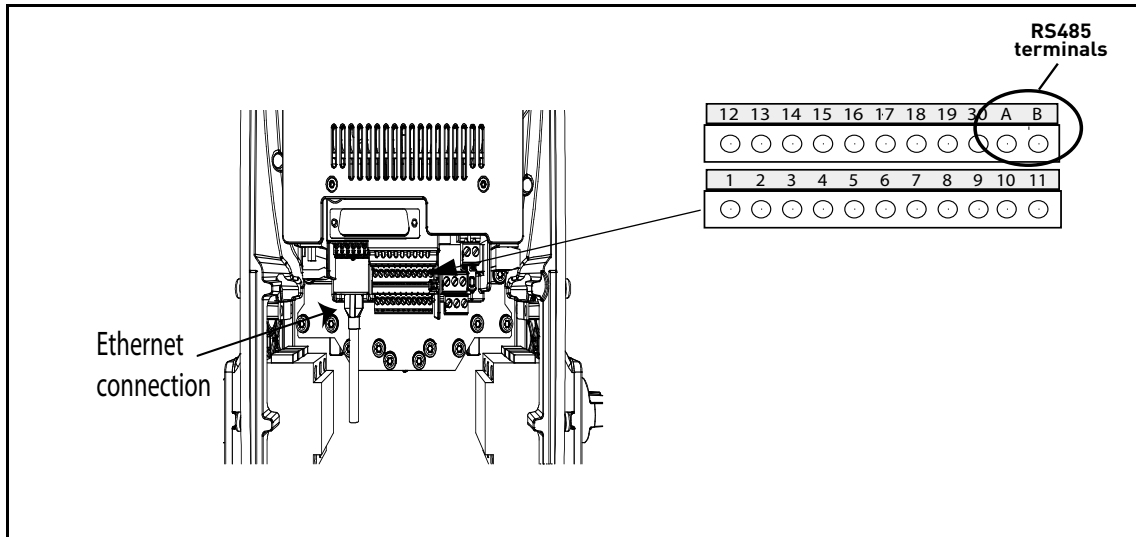


Figure 28.

5.2.1 PREPARE FOR USE THROUGH ETHERNET

1	Connect the Ethernet cable (see specification on page 38) to its terminal and run the cable through the conduit plate.
----------	--

2	Remount the powerhead. NOTE: When planning the cable runs, remember to keep the distance between the Ethernet cable and the motor cable at a minimum of 30 cm.
----------	--

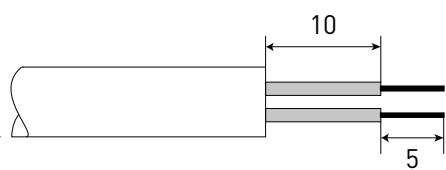
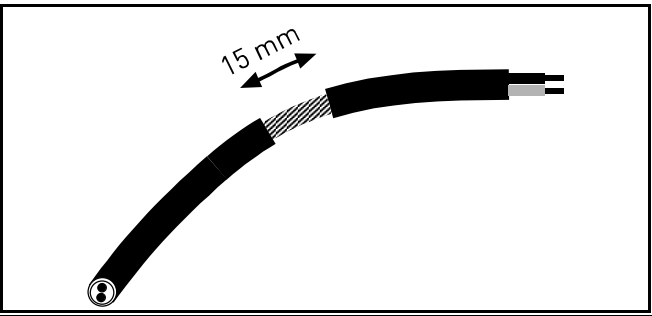
For more detailed information, see the user’s manual of the fieldbus you are using.

5.2.1.1 Ethernet cable data

Connector	Shielded RJ45 connector. Note: max length of the connector 40 mm.
Cable type	CAT5e STP
Cable length	Max. 100m

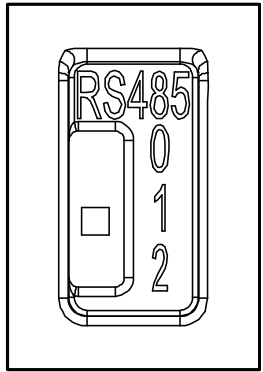
Table 16. Ethernet cable data.

5.2.2 PREPARE FOR USE THROUGH RS485

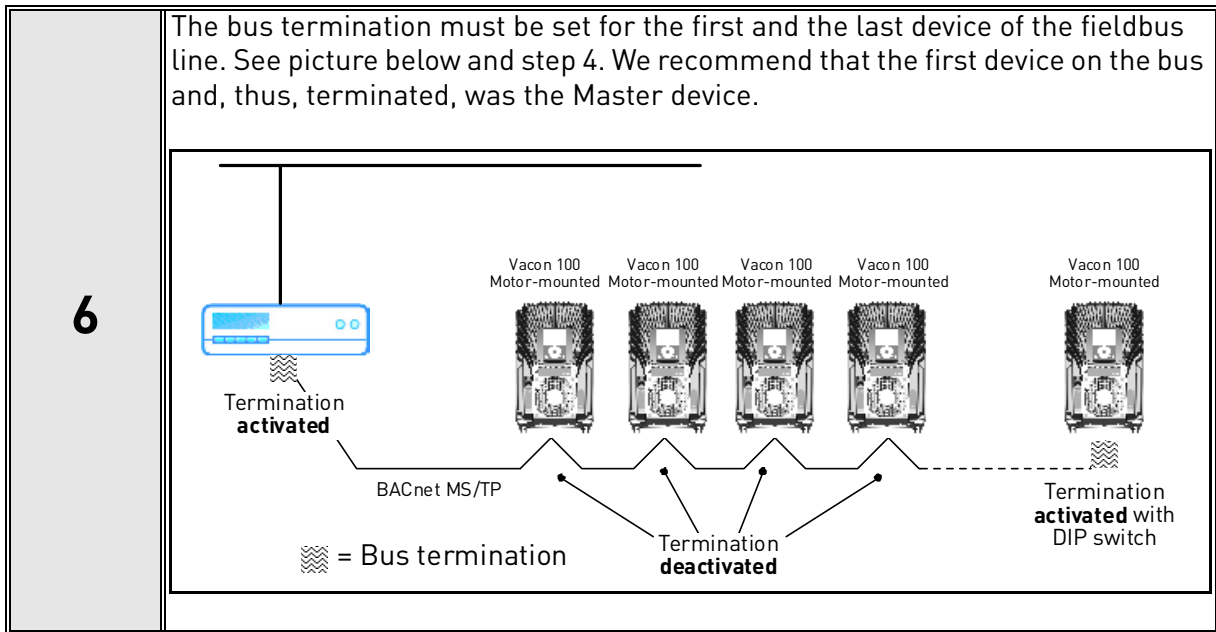
1	<p>Strip about 15 mm of the RS485 cable (see specification on page 40) and cut off the grey cable shield. Remember to do this for both bus cables (except for the last device).</p> <p>Leave no more than 10 mm of the cable outside the terminal block and strip the cables at about 5 mm to fit in the terminals. See picture below.</p> <div style="text-align: center;">  </div> <p>Also strip the cable now at such a distance from the terminal that you can fix it to the frame with the grounding clamp. Strip the cable at a maximum length of 15 mm. Do not strip the aluminum cable shield!</p> <div style="text-align: center;">  </div>
----------	--

2	<p>Then connect the cable to its appropriate terminals on Vacon 100 X AC drive standard terminal block, terminals A and B (A = negative, B = positive). See Figure 28.</p>
----------	---

3	<p>Using the cable clamp included in the delivery of the drive, ground the shield of the RS485 cable to the frame of the AC drive.</p>
----------	--

4	<p>If Vacon 100 X AC drive is the last device on the bus, the bus termination must be set. Locate the DIP switches to the top of the control unit (see Figure 25) and turn the rightmost switch to position "1". Biasing is built in the termination resistor. See also step 6.</p> <div style="text-align: right;">  </div>
----------	--

5	<p>NOTE: When planning the cable runs, remember to keep the distance between the fieldbus cable and the motor cable at a minimum of 30 cm.</p>
----------	--



5.2.3 RS485 CABLE DATA

Connector	2.5 mm ²
Cable type	STP (Shielded Twisted Pair), type Belden 9841 or similar
Cable length	Depends on the used fieldbus. See respective bus manual.

Table 17. RS485 cable data.

5.3 BATTERY INSTALLATION FOR REAL TIME CLOCK (RTC)

Enabling the functions of the *Real Time Clock (RTC)* requires that an optional battery is installed in the Vacon 100 X drive.

The place for the battery can be found under the control box cover as shown in Figure 29.

Detailed information on the functions of the *Real Time Clock (RTC)* can be found in the Application Manual.

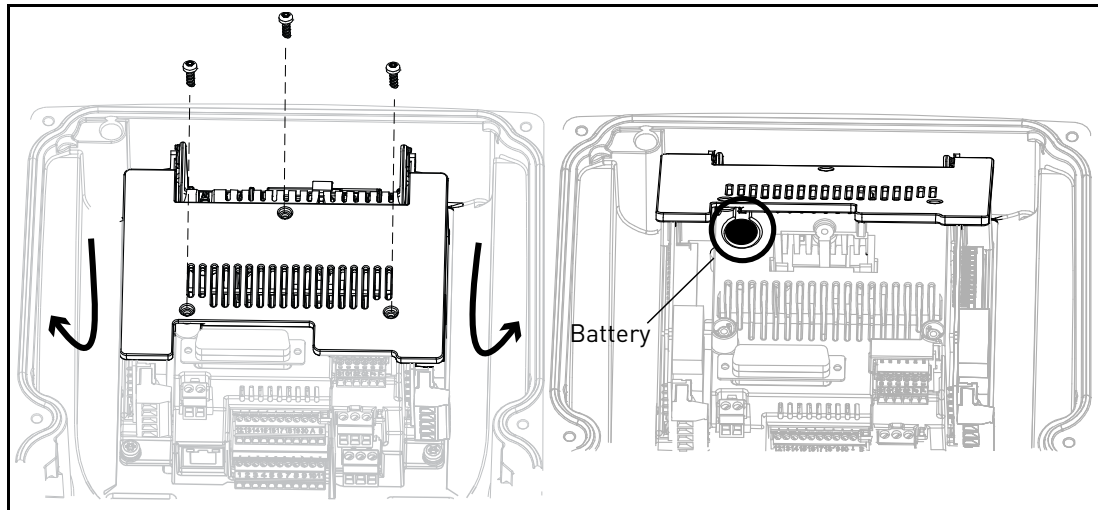


Figure 29. Optional battery.

6. COMMISSIONING

Before commissioning, note the following directions and warnings:



Internal components and circuit boards of Vacon 100 X drive (except for the galvanically isolated I/O terminals) are live when it is connected to mains potential. **Coming into contact with this voltage is extremely dangerous and may cause death or severe injury.**



The motor terminals **U, V, W** and the brake resistor terminals **R-/R+** are live when Vacon 100 X drive is connected to mains, **even if the motor is not running.**



The control I/O-terminals are isolated from the mains potential. However, the **relay outputs and other I/O-terminals may have a dangerous control voltage** present even when Vacon 100 X drive is disconnected from mains.



Do not make any connections to or from the frequency converter when it is connected to the mains.



After disconnecting the AC drive from the mains, **wait** until the fan stops and the indicators on the powerhead go out. Wait 30 more seconds before doing any work on the connections of Vacon100 X Drive. Do not open the unit before this time has expired. After expiration of this time, use a measuring equipment to absolutely ensure that no voltage is present. **Always ensure absence of voltage before starting any electrical work!**



Before connecting the AC drive to mains make sure that the powerhead Vacon 100 X Drive is mounted firmly on the terminal box.

6.1 COMMISSIONING OF THE DRIVE


Read carefully the safety instructions in Chapter 1 and above and follow them.

After the installation:

<input type="checkbox"/>	Check that both the frequency converter and the motor are grounded.
<input type="checkbox"/>	Check that the mains and motor cables comply with the requirements given in chapter 5.
<input type="checkbox"/>	Check that the control cables are located as far as possible from the power cables.
<input type="checkbox"/>	Check that the shields of the shielded cables are connected to protective earth marked with \oplus .
<input type="checkbox"/>	Check the tightening torques of all terminals.
<input type="checkbox"/>	Check that the wires do not touch the electrical components of the drive.
<input type="checkbox"/>	Check that the common inputs of digital input groups are connected to +24V or ground of the I/O terminal.
<input type="checkbox"/>	Check the quality and quantity of cooling air.
<input type="checkbox"/>	Check the inside of the frequency converter for condensation.
<input type="checkbox"/>	Check that all Start/Stop switches connected to the I/O terminals are in Stop-position.
<input type="checkbox"/>	Before connecting the frequency converter to mains: Check mounting and condition of all fuses and other protective devices.
<input type="checkbox"/>	Run the Startup Wizard (see the Application Manual).

6.2 CHANGING EMC PROTECTION CLASS

If your supply network is an IT (impedance-grounded) system but your AC drive is EMC-protected according to class C1 or C2 you need to modify the EMC protection of the AC drive to EMC-level T. This is done by removing the EMC screws as described below:

	<p>Warning! Do not perform any modifications on the AC drive when it is connected to mains.</p>
---	---

1	<p>Separate the powerhead and the terminal box. Turn the powerhead upside down and remove the two screws marked in Figure 30 (for MM4), Figure 31 (for MM5) and in Figure 33 (for MM6).</p>
---	---

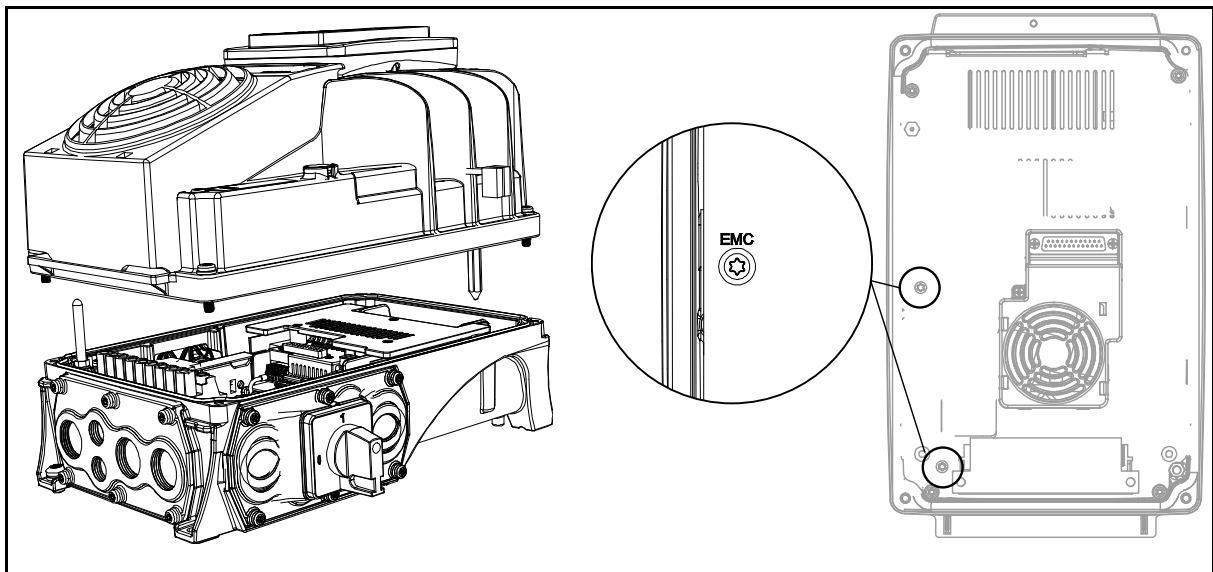


Figure 30. Locations of EMC screws in MM4.

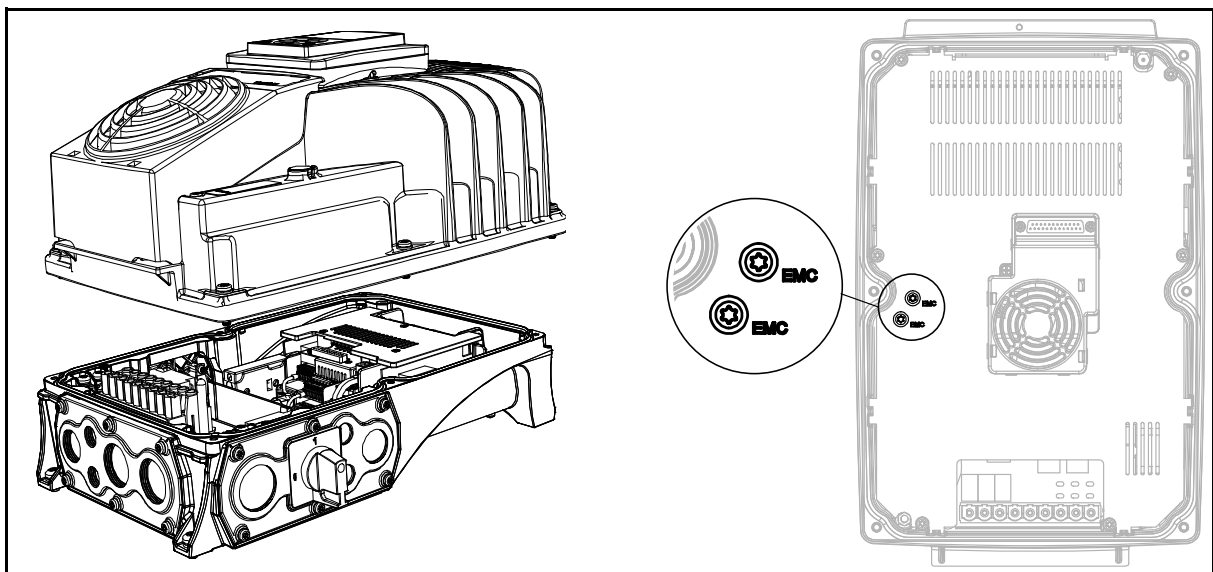


Figure 31. Locations of EMC screws in MM5.

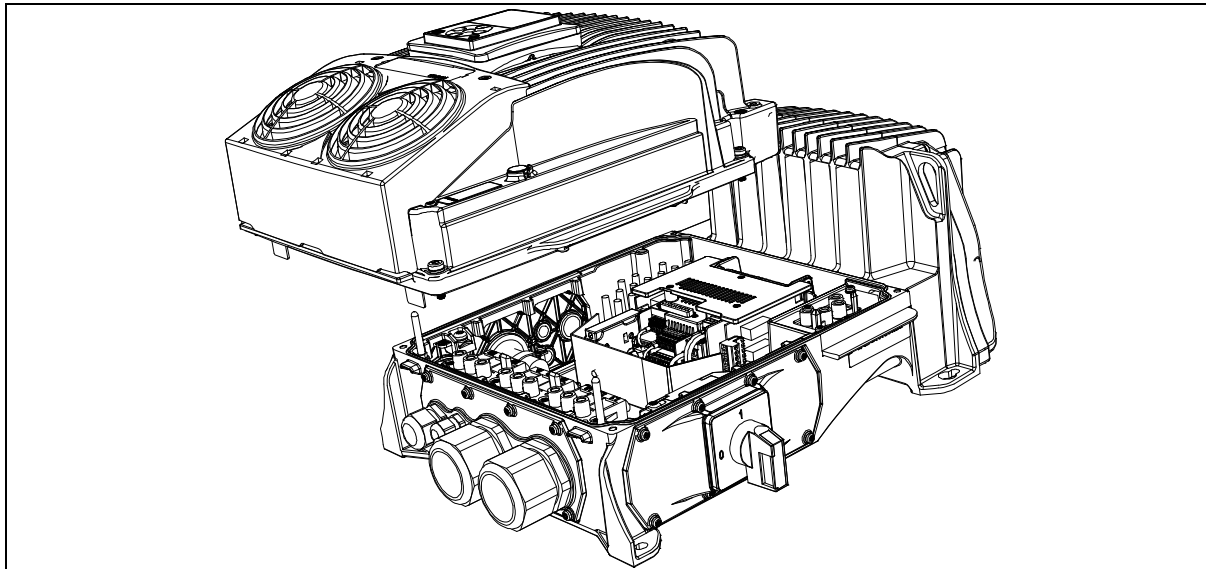


Figure 32. Powerhead separated from the terminal box in MM6.

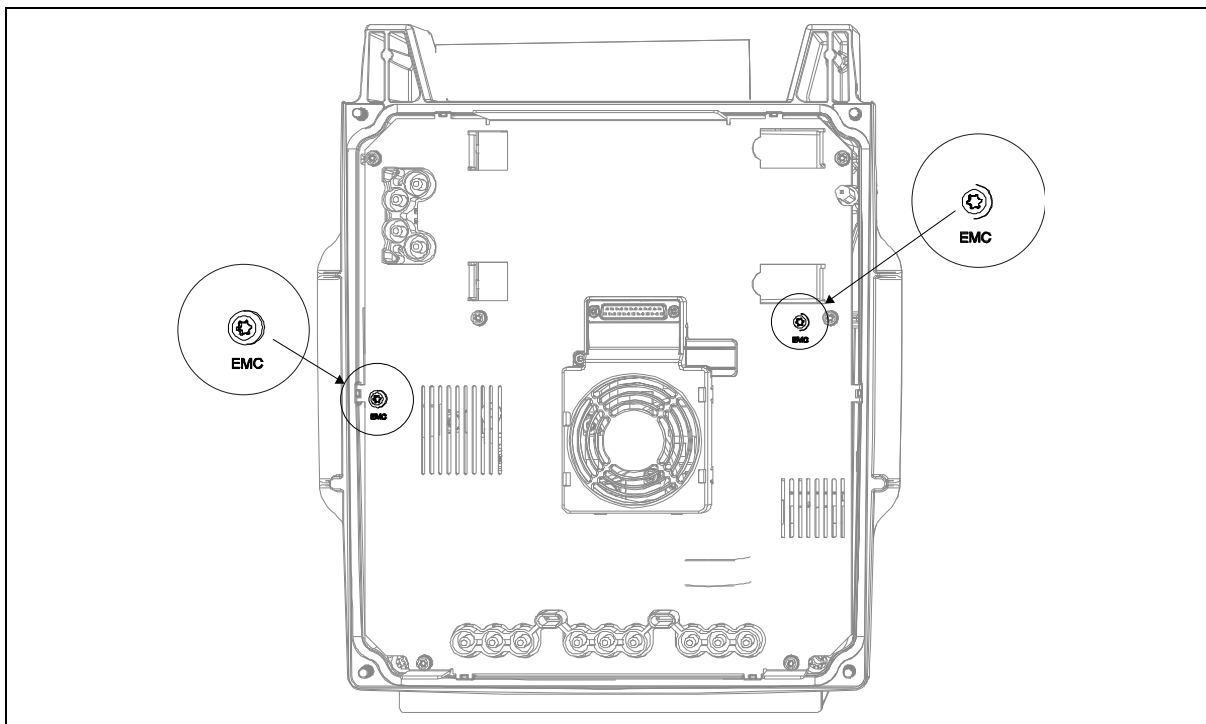


Figure 33. Locations of EMC screws in MM6.

	<p>CAUTION! Before connecting the AC drive to mains make sure that the EMC protection class settings of the drive are appropriately made.</p>
	<p>NOTE! After having performed the change write 'EMC level modified' on the sticker included in the Vacon 100 X delivery (see below) and note the date. Unless already done, attach the sticker close to the name plate of the AC drive.</p> <div style="border: 1px solid black; padding: 5px; margin: 10px auto; width: fit-content;"> <p style="text-align: center;">Product modified</p> <p style="text-align: right;">Date:</p> <p style="text-align: right;">Date:</p> <p style="text-align: right;">Date:DDMMYY </p> </div>

6.3 RUNNING THE MOTOR

MOTOR RUN CHECK LIST



Before starting the motor, check that the motor is **mounted properly** and ensure that the machine connected to the motor allows the motor to be started.



Set the maximum motor speed (frequency) according to the motor and the machine connected to it.



Before reversing the motor make sure that this can be done safely.



Make sure that no power correction capacitors are connected to the motor cable.



Make sure that the motor terminals are not connected to mains potential.

6.3.1 CABLE AND MOTOR INSULATION CHECKS

1. Motor cable insulation checks

Disconnect the motor cable from terminals U, V and W of the AC drive and from the motor. Measure the insulation resistance of the motor cable between each phase conductor as well as between each phase conductor and the protective ground conductor. The insulation resistance must be $>1\text{M}\Omega$ at ambient temperature of 20°C .

2. Mains cable insulation checks

Disconnect the mains cable from terminals L1, L2 and L3 of the AC drive and from the mains. Measure the insulation resistance of the mains cable between each phase conductor as well as between each phase conductor and the protective ground conductor. The insulation resistance must be $>1\text{M}\Omega$ at ambient temperature of 20°C .

3. Motor insulation checks

Disconnect the motor cable from the motor and open the bridging connections in the motor connection box. Measure the insulation resistance of each motor winding. The measurement voltage must equal at least the motor nominal voltage but not exceed 1000 V. The insulation resistance must be $>1\text{M}\Omega$ at ambient temperature of 20°C .

6.4 MAINTENANCE

In normal conditions, the AC drive is maintenance-free. However, regular maintenance is recommended to ensure a trouble-free operation and a long lifetime of the drive. We recommend to follow the table below for maintenance intervals.

NOTE: Because of capacitor type (thin film capacitors), reforming of capacitors is not necessary.

Maintenance interval	Maintenance action
Regularly and according to general maintenance interval	<ul style="list-style-type: none">• Check tightening torques of terminals
6...24 months (depending on environment)	<ul style="list-style-type: none">• Check input and output terminals and control I/O terminals.• Check operation of cooling fan• Check the heatsink for dust and clean if necessary
6...10 years	<ul style="list-style-type: none">• Change main fan

7. TECHNICAL DATA

7.1 AC DRIVE POWER RATINGS

7.1.1 MAINS VOLTAGE 3AC 208-240V

Mains voltage 3AC 208-240V, 50/60 Hz							
	Converter type	Input current [A]	Loadability			Motor shaft power	
			Rated continuous current I_N [A]	50% overload current [A]	Max current I_S	230V	240V
						[kW]	[HP]
MM4	0007	6.0	6.6	9.9	13.2	1.1	1.5
	0008	7.2	8.0	12.0	16.0	1.5	2.0
	0011	9.7	11.0	16.5	22.0	2.2	3.0
	0012	10.9	12.5	18.8	25.0	3.0	4.0
MM5	0018	16.1	18.0	27.0	36.0	4.0	5.0
	0024	21.7	24.2	36.3	48.4	5.5	7.5
	0031	27.7	31.0	46.5	62.0	7.5	10.0
MM6	0048	43.8	48.0	72.0	96.0	11.0	15.0
	0062	57.0	62.0	93.0	124.0	15.0	20.0

Table 18. Power ratings of Vacon 100 X, supply voltage 3AC 208-240V.

NOTE: The rated currents in given ambient temperatures (in Table 18) are achieved only when the switching frequency is equal to or less than the factory default.

7.1.2 MAINS VOLTAGE 3AC 380-480V

Mains voltage 3AC 380-480V, 50/60 Hz							
	Converter type	Input current [A]	Loadability			Motor shaft power	
			Rated continuous current I_N [A]	50% overload current [A]	Max current I_S	400V	480V
						[kW]	[HP]
MM4	0003	3.4	3.4	5.1	6.8	1.1	1.5
	0004	4.6	4.8	7.2	9.6	1.5	2.0
	0005	5.4	5.6	8.4	11.2	2.2	3.0
	0008	8.1	8.0	12.0	16.0	3.0	5.0
	0009	9.3	9.6	14.4	19.2	4.0	5.0
	0012	11.3	12.0	18.0	24.0	5.5	7.5
MM5	0016	15.4	16.0	24.0	32.0	7.5	10.0
	0023	21.3	23.0	34.5	46.0	11.0	15.0
	0031	28.4	31.0	46.5	62.0	15.0	20.0
MM6	0038	36.7	38.0	57.0	76.0	18.5	25.0
	0046	43.6	46.0	69.0	92.0	22.0	30.0
	0061	58,2	61.0	91.5	122.0	30.0	40.0

Table 19. Power ratings of Vacon 100 X, supply voltage 3AC 380-480V.

NOTE: The rated currents in given ambient temperatures (in Table 19) are achieved only when the switching frequency is equal to or less than the factory default.

7.1.3 DEFINITIONS OF OVERLOADABILITY

Overloadability= Following continuous operation at rated output current I_N , the converter supplies $150\% * I_N$ for 1 min, followed by a period of at least 9 min at I_N or below.

Example: If the duty cycle requires 150% rated current for 1 min in every 10 min, the remaining 9 min must be at rated current I_N or less.

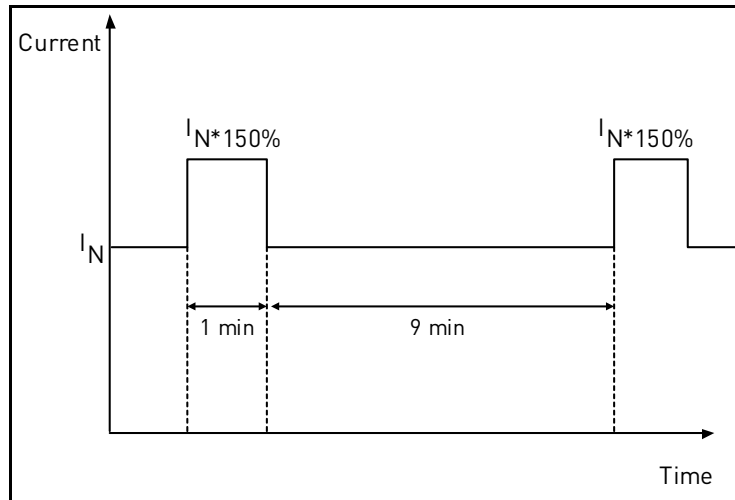


Figure 34. High overload.

7.2 BRAKE RESISTOR RATINGS

Mains Voltage 3AC 208-240V, 50/60 Hz		
Frame	Type	Minimum Resistance recommended [ohm]
MM4	0007	25
	0008	25
	0011	25
	0012	25
MM5	0018	15
	0024	15
	0031	10
MM6	0048	8
	0062	8

Table 20. Brake resistor ratings, 208-240V.

Mains Voltage 3AC 380-480V, 50/60 Hz		
Frame	Type	Minimum Resistance recommended [ohm]
MM4	0003	50
	0004	50
	0005	50
	0008	50
	0009	50
	0012	50
MM5	0016	30
	0023	30
	0031	20
MM6	0038	15
	0046	15
	0061	15

Table 21. Brake resistor ratings, 380-480V.

7.3 VACON 100 X - TECHNICAL DATA

Mains connection	Input voltage U_{in}	3AC 208...240V 3AC 380...480V
	Input voltage tolerance	-15%...+10% continuously
	Input frequency	50/60 Hz
	Protection class	I
	Input frequency tolerance	45...66 Hz
	Connection to mains	Once per minute or less
	Starting delay	4 s
	Supply network	TN- and IT-network (cannot be used with corner earthed network)
	Short-circuit current	Max. short-circuit current has to be < 50kA
Motor connection	Output voltage	0... U_{in}
	Rated output current	I_N : Ambient temperature max. +40°C. See Table 18 and Table 19.
	Overload output current	1.5 x I_N (1 min/10 min)
	Starting output current	I_S for 2 s every 20 s ($I_S = 2.0 * I_N$)
	Output frequency	0...320 Hz (standard)
	Frequency resolution	0.01 Hz
	Protection class	I
	Motor characteristics	AC squirrel cage motors Permanent magnet motors
	Cable type	Screened motor cable
	Cable maximum length (full EMC compliance)	C2: 15m
	Switching frequency	Programmable 1.5...16 kHz; Default 6 kHz; Automatic switching frequency derating in case of overheating
Control characteristics	Frequency reference Analogue input Panel reference	Resolution 0.1% (10-bit), accuracy ±1% Resolution 0.01 Hz
	Field weakening point	8...320 Hz
	Acceleration time	0.1...3000 sec
	Deceleration time	0.1...3000 sec
	Braking	Brake chopper standard in all frames External brake resistor optional
	Control connections	See chapter 5.

Communication interface	Fieldbus	Standard: Serial communication (RS485/Modbus); Ethernet Optional: CanOpen; Profibus DP, DeviceNet
	Status indicators	Drive status indicators (LED) on top side (POWER, RUN, FAULT, READY)
Ambient conditions	Ambient operating temperature	-10°C ...+40°C
	Extended temperature range	up to 50°C with current derating (see chapter 1.6)
	Storage temperature	-40°C...+70°C
	Relative humidity	0 to 100% R _H
	Pollution degree	PD2
	Altitude	100% load capacity (no derating) up to 1,000m; derating 1%/100m at 1,000...3,000m
	Stationary vibration: sinusoidal IEC 60068-2	10 Hz ≤ f ≤ 57 Hz: 0,075 mm 57 Hz ≤ f ≤ 150 Hz: 1 g
	Degree of protection	IP66/Type 4X
Directives	EMC	2004/108/EC
	Low Voltage	2006/95/EC
Standards	Immunity	EN61800-3 (2004), 1 st and 2 nd environment
	Emissions	EN61800-3 (2004), Category C2 The drive can be modified for IT-networks.
	THD	EN61000-3-12 (see chapter 1.7)
	Safety	EN 61800-5-1
Approvals	Safety	TÜV - Mark
Declaration of Conformity	USA, Canada	Vacon Compliance testing
	EMC	TÜV - Tested
CE	EC Conformation Declaration	

Protections	Undervoltage trip limit	Depends on supply voltage (0,8775*supply voltage): Supply voltage 400 V: Trip limit 351 V Supply voltage 480 V: Trip limit 421 V Supply voltage 240 V: Trip limit 211 V
	Overvoltage fault protection	Yes
	Earth fault protection	Yes
	Mains supervision	Yes
	Motor phase supervision	Yes
	Overcurrent protection	Yes
	Unit overtemperature protection	Yes
	Motor overload protection	Yes
	Motor stall protection	Yes
	Motor underload protection	Yes
	Short-circuit protection of +24V and +10V reference voltages	Yes
	Thermal motor protection	Yes (by PTC)

Table 22. Vacon 100 X technical data.

7.3.1 TECHNICAL INFORMATION ON CONTROL CONNECTIONS

Standard I/O		
Terminal	Signal	Technical information
1	Reference output	+10V, +3%; Maximum current 10 mA
2	Analogue input, voltage or current	Analogue input channel 1 0-20 mA ($R_i = 250 \Omega$) 0-10 V ($R_i = 200k\Omega$) Resolution 0.1%, accuracy $\pm 1\%$ Selection V/mA with dip-switches (see chapter 5). Default 0-10V Short-circuited protected.
3	Analogue input common	Differential input if not connected to ground; Allows $\pm 20V$ differential mode voltage to GND
4	Analogue input, voltage or current	Analogue input channel 2 0-20 mA ($R_i = 250 \Omega$) 0-10 V ($R_i = 200k\Omega$) Resolution 0.1%, accuracy $\pm 1\%$ Selection V/mA with dip-switches (see chapter 5). Default 0-20mA Short-circuited protected.
5	Analogue input common	Differential input if not connected to ground; Allows 20V differential mode voltage to GND
6	24V aux. voltage	+24V, $\pm 10\%$, max volt. ripple < 100mVrms; max. 250mA Short-circuit protected
7	I/O ground	Ground for reference and controls (connected internally to frame earth through $1M\Omega$)
8	Digital input 1	Positive or negative logic $R_i = \text{min. } 5k\Omega$ 18...30V = "1" 0...5V = "0"
9	Digital input 2	
10	Digital input 3	
11	Common A for DIN1-DIN6.	Digital inputs can be isolated from ground, see chapter 5. Default: connected to ground.
12	24V aux. voltage	Same as terminal 6.
13	I/O ground	Ground for reference and controls (connected internally to frame earth through $1M\Omega$)
14	Digital input 4	Positive or negative logic $R_i = \text{min. } 5k\Omega$ 18...30V = "1" 0...5V = "0"
15	Digital input 5	
16	Digital input 6	
17	Common A for DIN1-DIN6.	Digital inputs can be isolated from ground, see chapter 5. Default: connected to ground.
18	Analogue output, voltage or current	Analogue output channel 1 0-20 mA ($R_L < 500 \Omega$) 0-10 V ($R_L > 1k\Omega$)
19	Analogue output common	Resolution 0.1%, accuracy $\pm 2\%$ Selection V/mA with dip-switches (see chapter 5). Default 0-20mA Short-circuited protected.

Standard I/O		
Terminal	Signal	Technical information
30	24V auxiliary input voltage	Can be used with an external power supply (with a current limiter or fuse protected) to supply the control unit and fieldbus for backup purposes. Dimensioning: max. 1000mA/control unit.
A	RS485	Differential receiver/transmitter Set bus termination with dip switches (see page 36). Default: but termination disconnected.
B	RS485	

Table 23. Technical information on standard I/O terminals.

Relays		
Relays with two change-over contact (SPDT) and a PTC thermistor input. 5,5 mm isolation between channels.		
Terminal	Signal	Technical information
21	Relay output 1*	Switching capacity
22		24VDC/8A
23		250VAC/8A 125VDC/0.4A
24	Relay output 2*	Min.switching load
25		5V/10mA
26		Switching capacity
28	Thermistor input	24VDC/8A
29		250VAC/8A 125VDC/0.4A
		Min.switching load
		5V/10mA
		Rtrip = 4.7 kΩ (PTC); Measuring voltage 3.5V

* If 230VAC is used as control voltage from the output relays, the control circuitry must be powered with a separate isolation transformer to limit short circuit current and overvoltage spikes. This is to prevent welding on the relay contacts. Refer to standard EN 60204-1, section 7.2.9

Table 24. Technical information on Relay and thermistor terminals.

8. OPTIONS

The options available for Vacon 100 X are described below.

8.1 MAINS SWITCH

The purpose of the *Mains switch* is to disconnect the Vacon 100 X from the mains when, for example, service actions are needed. The mains switch is available as option and it can be integrated in the drive. The switch can be mounted on either side of the drive. See Figure 35.

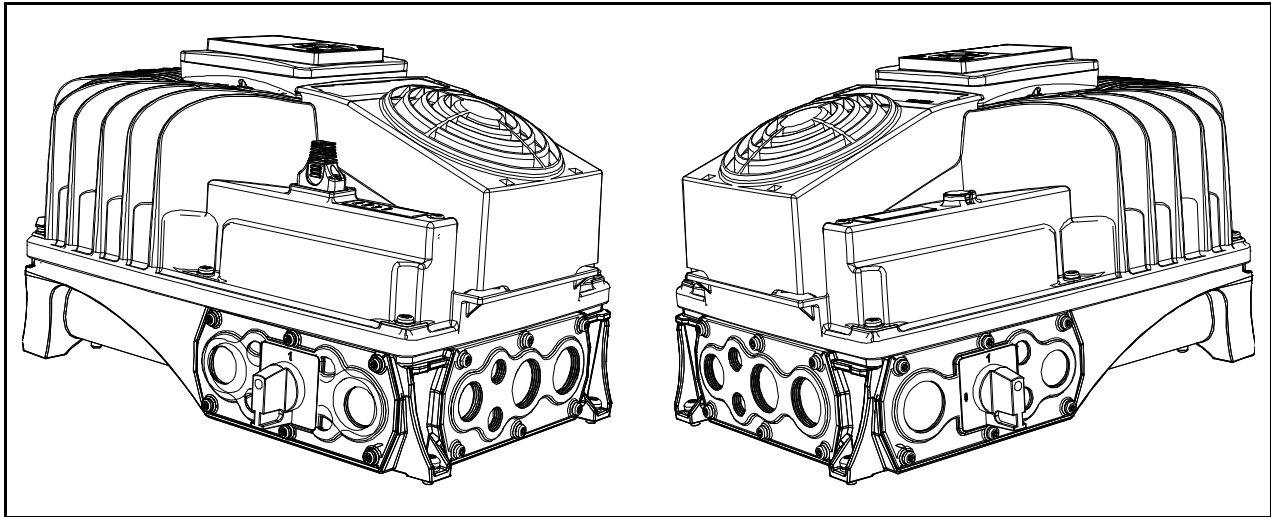


Figure 35. The mains switch mounted on either side of the drive.

8.1.1 INSTALLATION

1

- Remove the cable entry plate from the drive on the left-hand-side if the mains switch must be mounted on this side. Otherwise remove the cable entry plate from the right-hand-side. See the Figure 36.

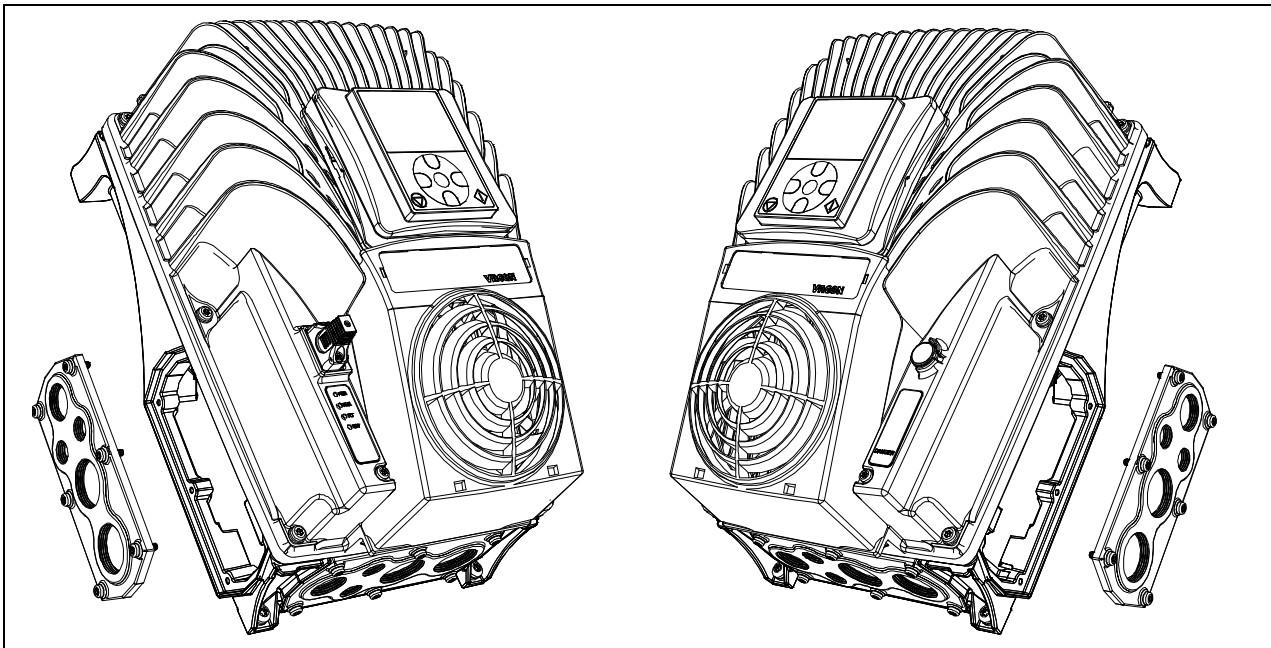


Figure 36. Disconnect the cable entry plate: example for MM5.

2

- Remove the cable entry plate from the bottom side of the terminal box by loosening the six screws. Cables pass through this inlet hole.

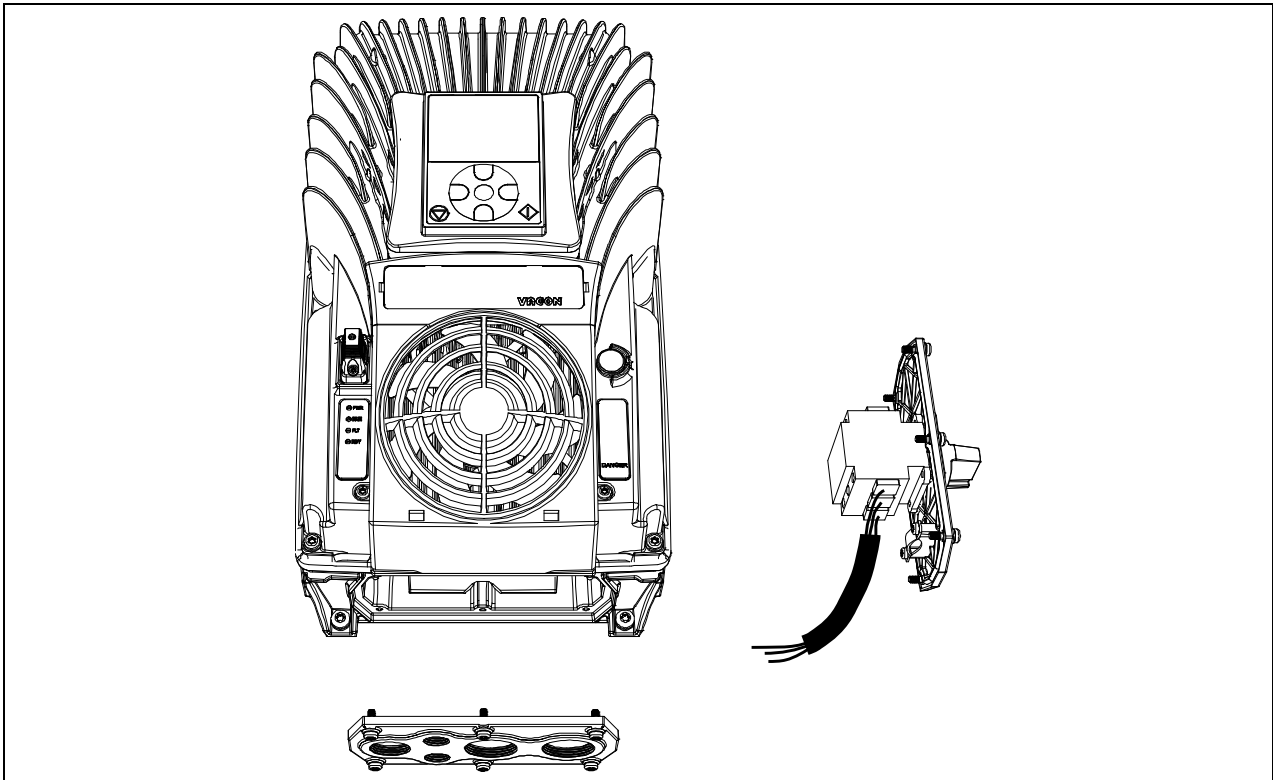


Figure 37. Cable entry plate from the bottom side of the drive.

3

- Remove the powerhead from the terminal box by loosening the screws on the top side of the drive.

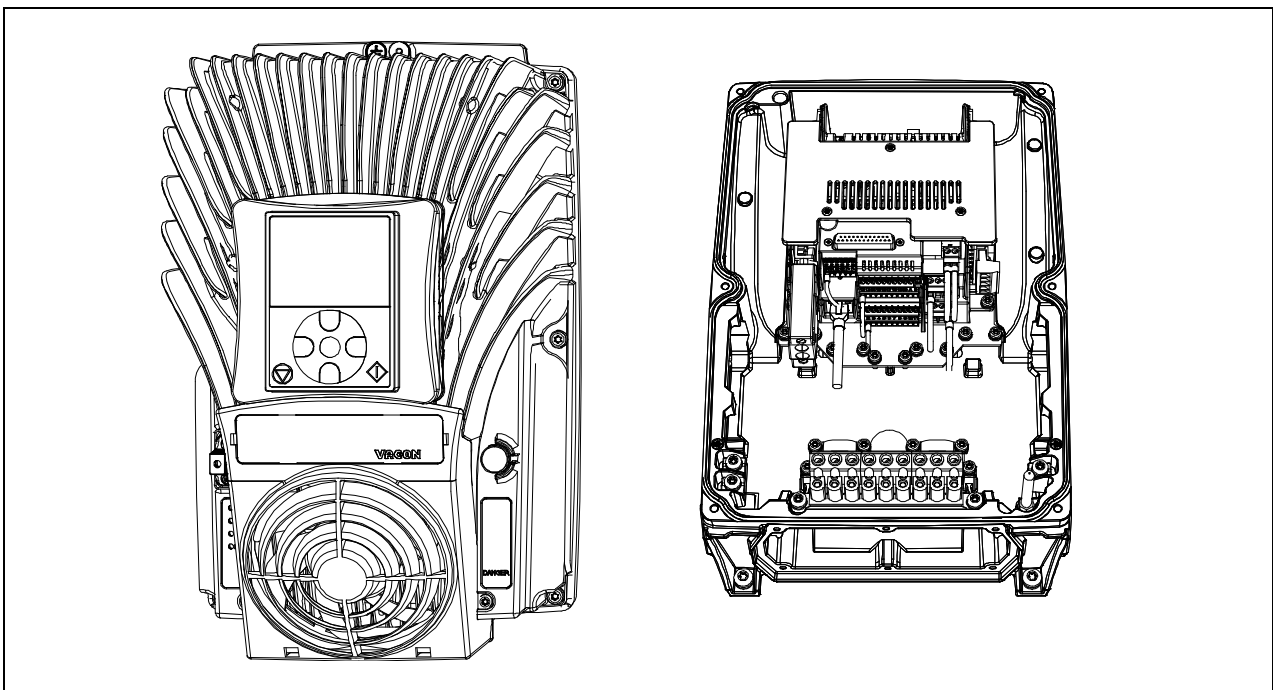


Figure 38. Powerhead separated from the terminal box.

4	<ul style="list-style-type: none"> Connect the supply cable to the Mains switch passing through the cable entry plate of the bottom side (use the cable gland for sealing the cable to the gland plate) and then through the terminal box as shown in the figure below.
----------	--

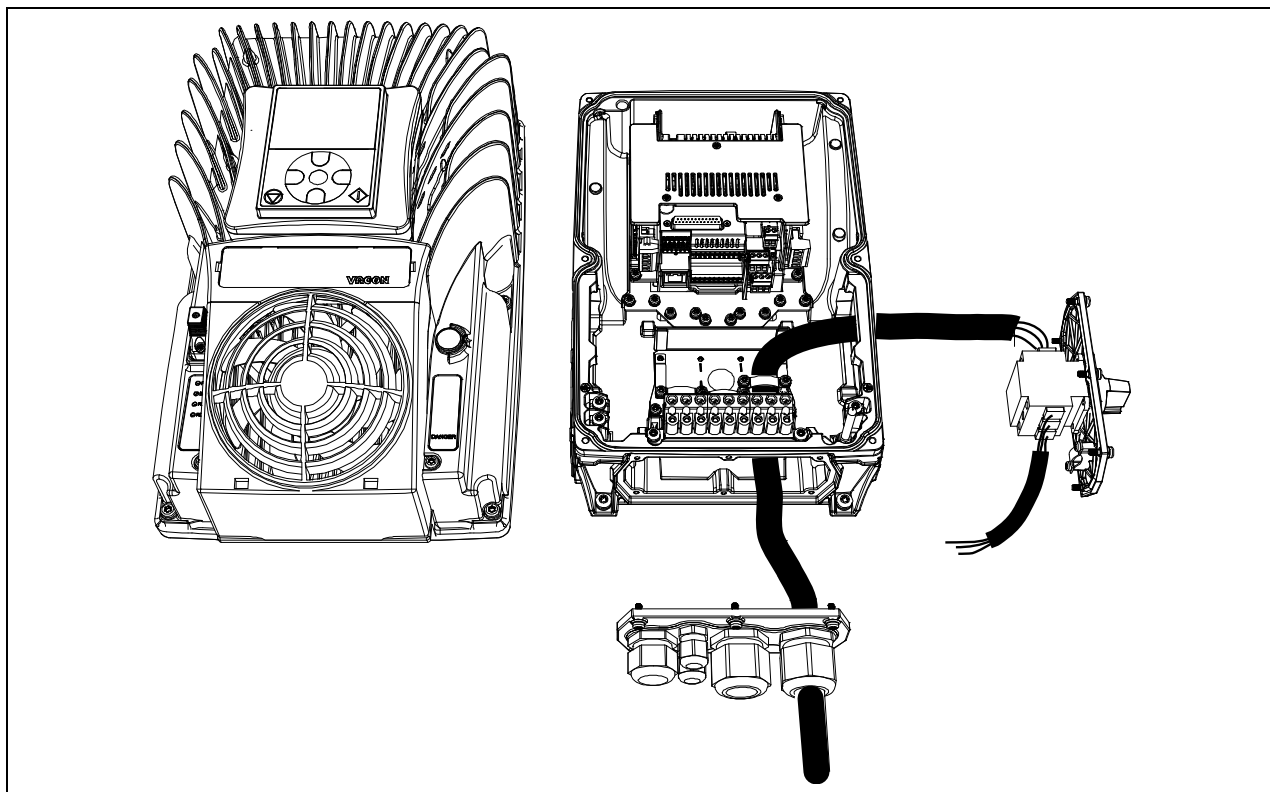


Figure 39. Connection of the supply cable to the Mains switch (right-hand-side example).

5	<ul style="list-style-type: none"> Connect the cables from the Mains switch to the terminal box. The cables have to be connected to the terminals L1, L2 and L3.
6	<ul style="list-style-type: none"> Place the Mains switch plate with the cables in the groove and fix it with its screws.
7	<ul style="list-style-type: none"> Place the cable entry plate with the other cables (motor cable, brake cable, I/O cables) in the groove on the bottom side of the drive and fix it with its screws.

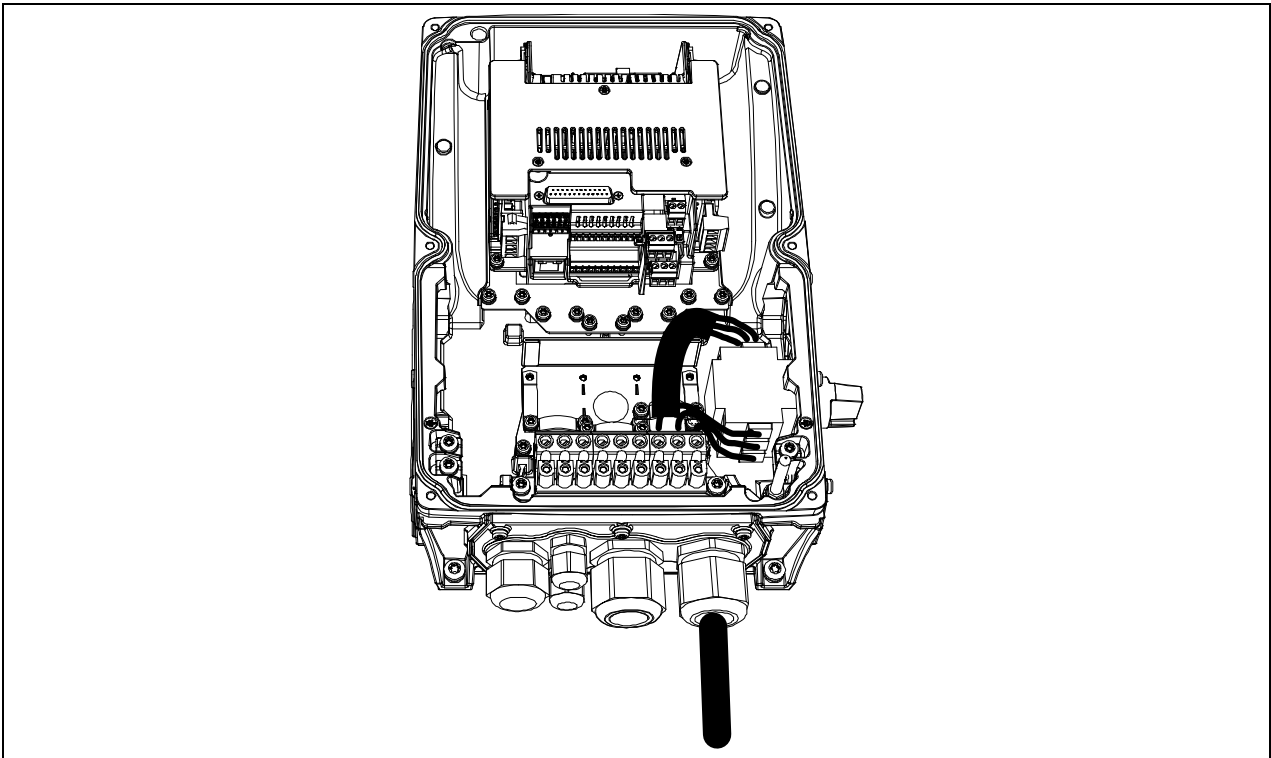


Figure 40. Mains switch, cable entry and cables connected.

- | | |
|----------|--|
| 8 | <ul style="list-style-type: none"> • Mount the powerhead on the terminal box with its screws: the installation process has been completed. See Figure 41. |
|----------|--|

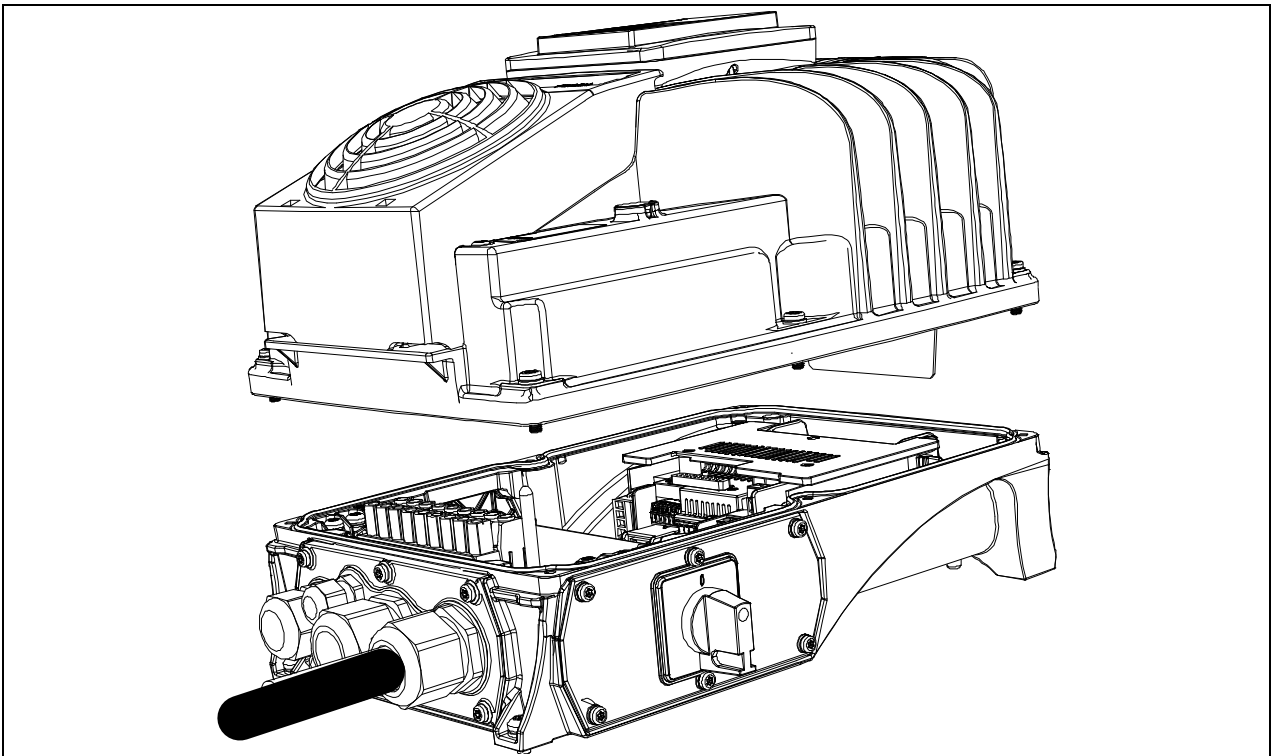


Figure 41. Mount the powerhead on the terminal box.

8.2 CONTROL KEYPAD

The control keypad is the interface between the Vacon 100 X frequency converter and the user. With the control keypad it is possible to control the speed of a motor, to supervise the state of the equipment and to set the frequency converter's parameters.

The keypad is an option and can be delivered separately. The option includes the keypad, the keypad holder and three screws. You can use one screw to fix the keypad holder to the drive or three screws to fix the keypad holder to an enclosure/cabinet or any special housing for the drive in which you want to have a remote keypad control available.

8.2.1 MOUNTING ONTO THE DRIVE

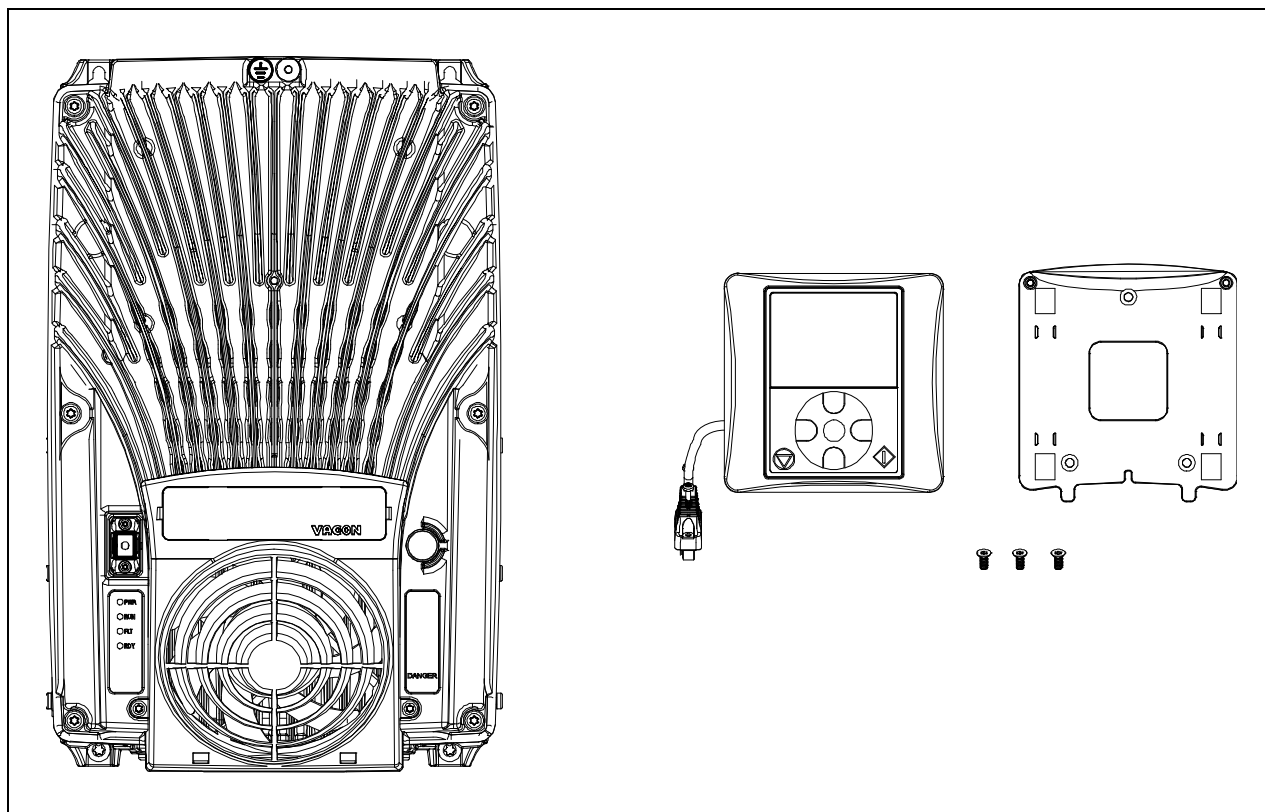


Figure 42. Drive and the optional keypad kit.

8.2.2 INSTALLATION**1**

- Remove the HMI cap from the drive as shown in the Figure 43.

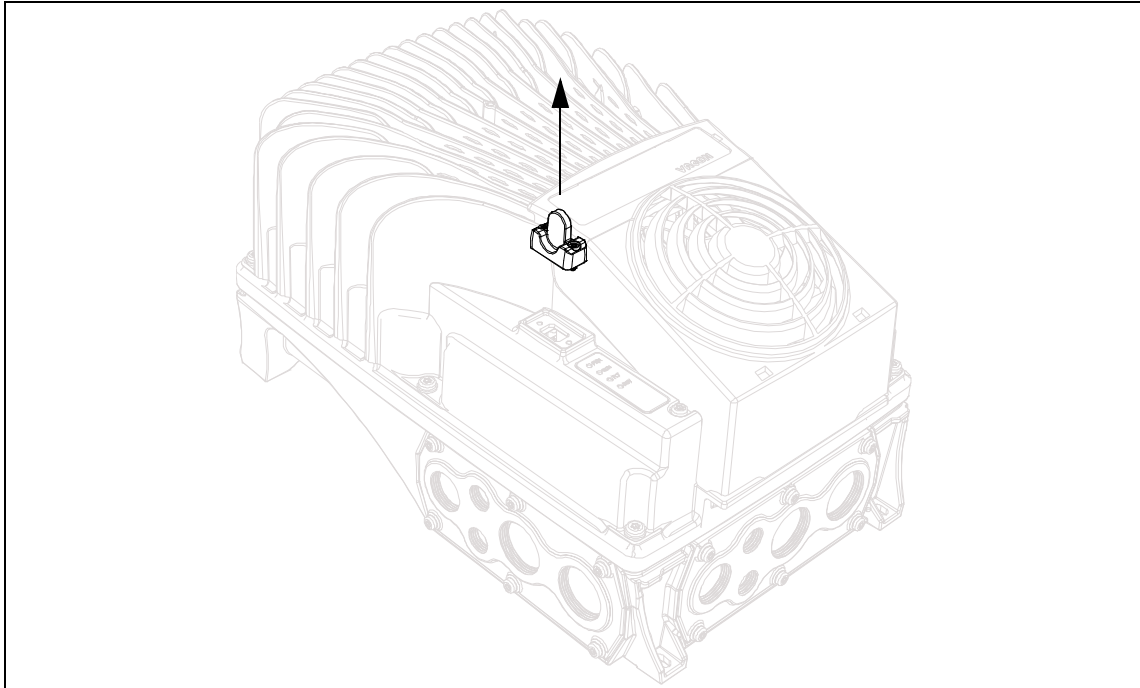


Figure 43. Disconnection of the HMI cap from the drive.

2

- Install the keypad holder with a screw as shown in the Figure 44. The metal sheets of the keypad holder have to be mounted under the fan holder as shown in the following figures.

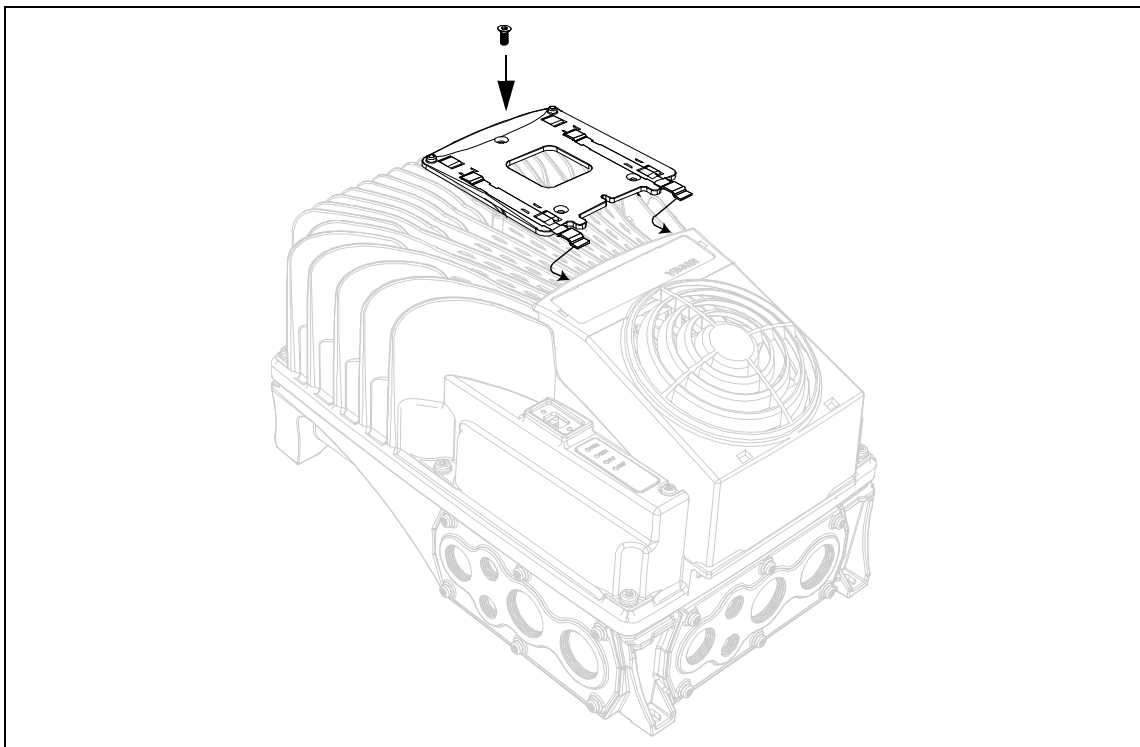


Figure 44. Installation of the keypad holder on the powerhead.

3

- Connect the keypad to the drive and plug the cable on the HMI connector as shown in the Figure 45 and in the Figure 46.

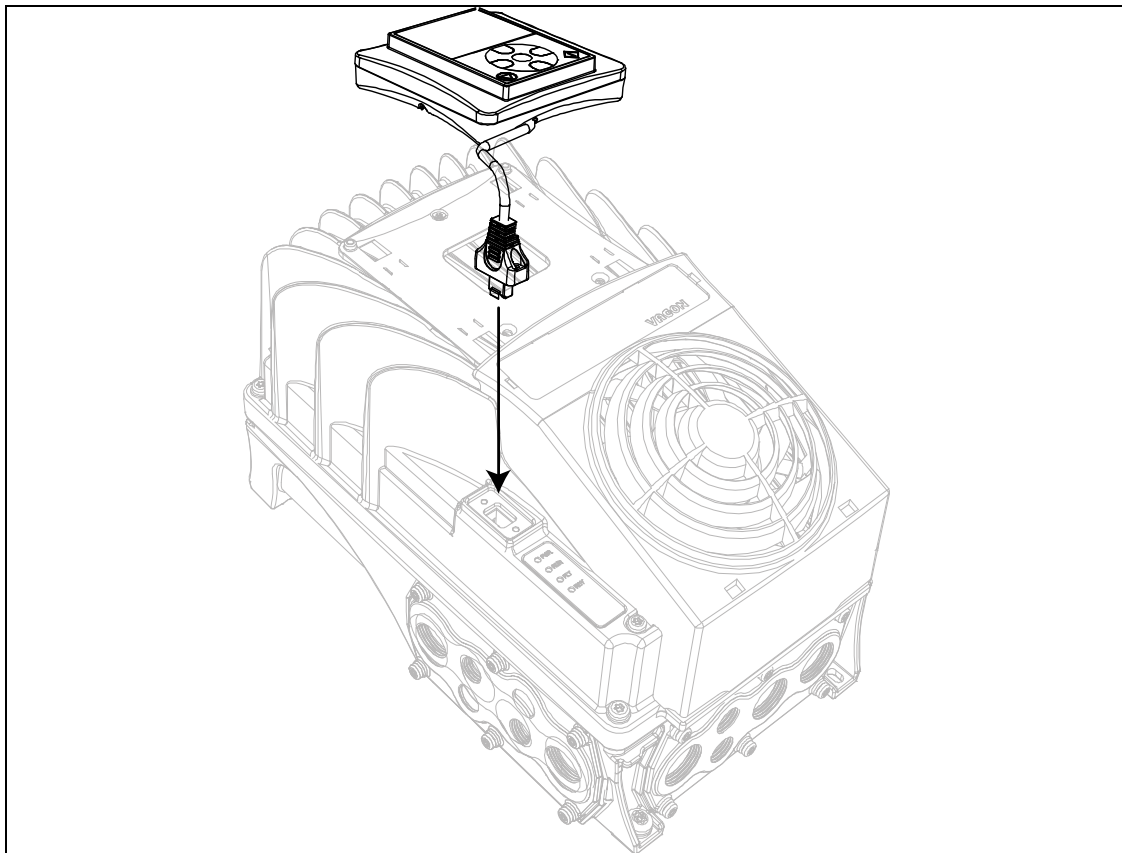


Figure 45. Mounting of the keypad.

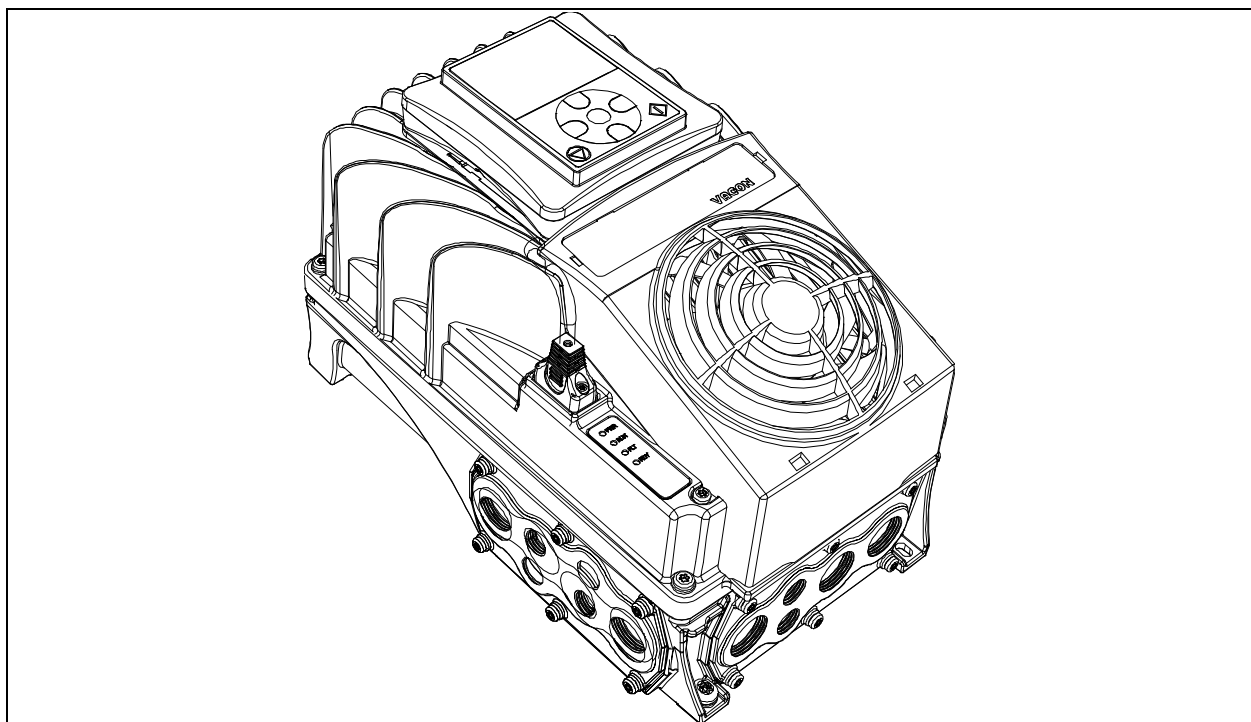


Figure 46. Keypad mounted onto the drive. Tighten the fixing screws of the cable connector to the enclosure of the drive. This is to keep the high IP66 protection degree of the drive.

8.2.3 WALL-MOUNTING

The keypad can be mounted on the wall in a convenient location by using the same keypad holder and three screws provided with the keypad option kit.

1

- *Fix the keypad holder with three screws to the wall.*

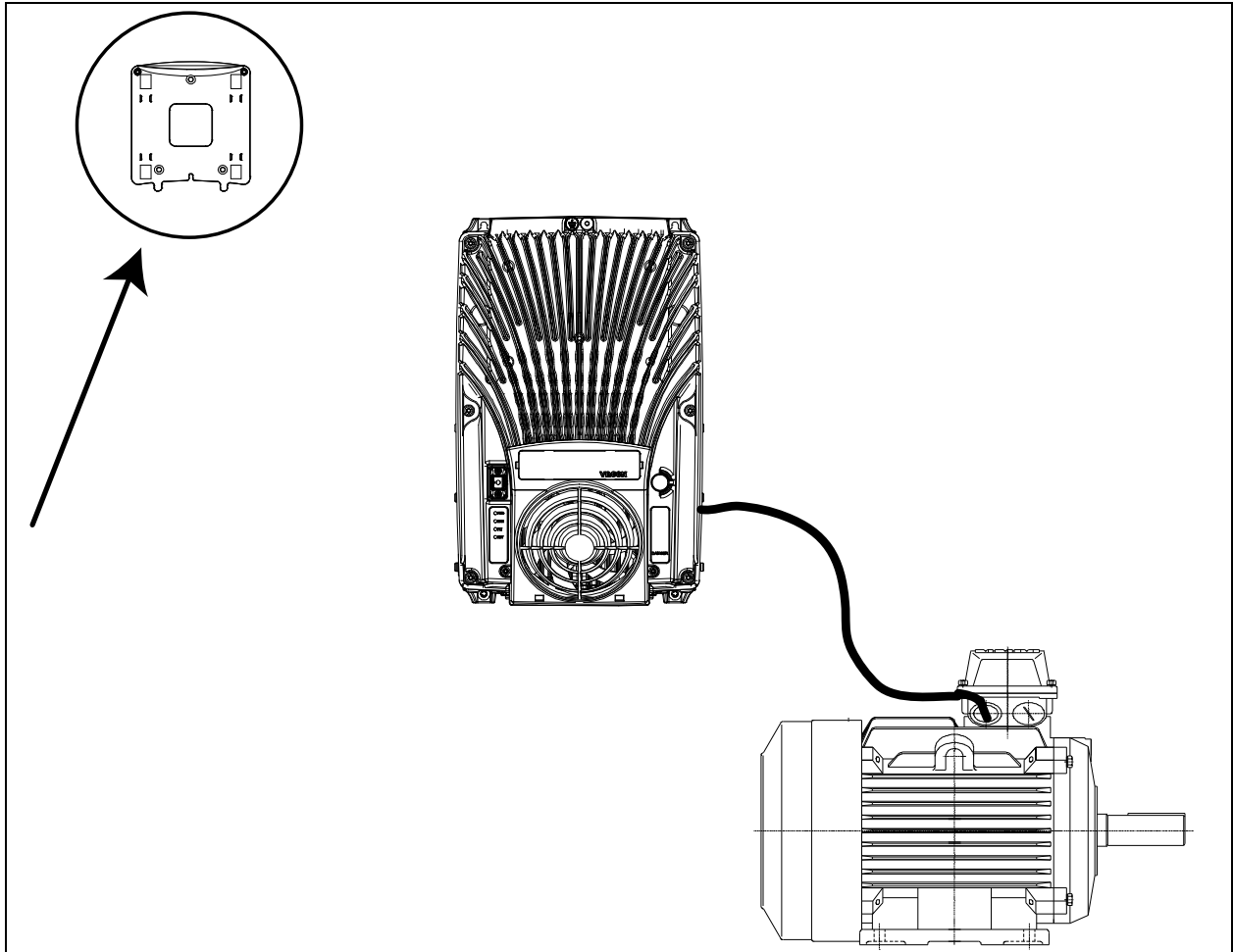


Figure 47. Fix the keypad holder with three screws to the wall.

2

- Connect and fix the cable to the enclosure of the drive and hold the keypad to the wall.

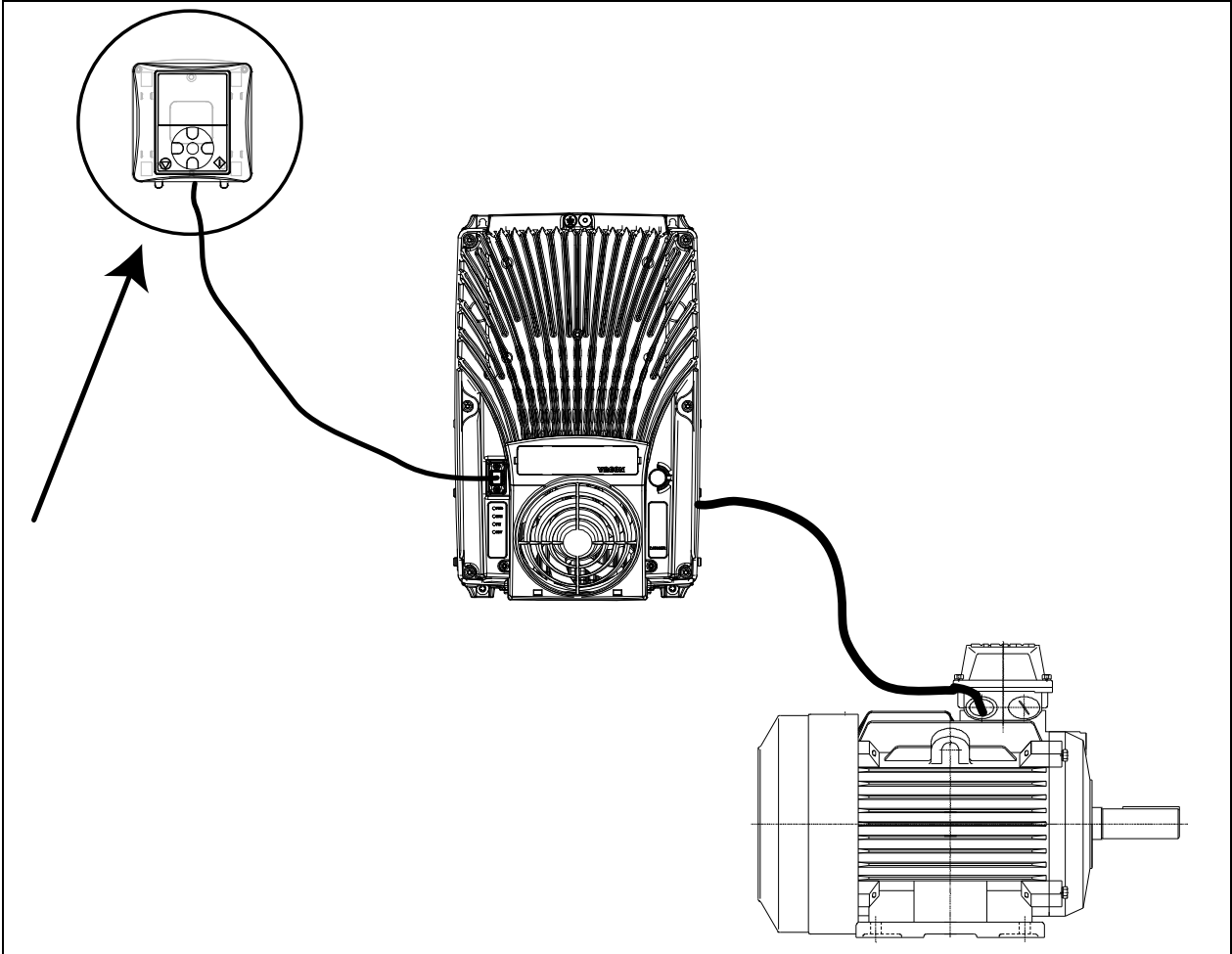


Figure 48. Keypad connected to the drive.

8.2.4 GRAPHICAL AND TEXT KEYPAD

There are two keypad types you can choose for your user interface: keypad with graphical display and keypad with text segment display (text keypad).

The button section of the keypad is identical for both keypad types.

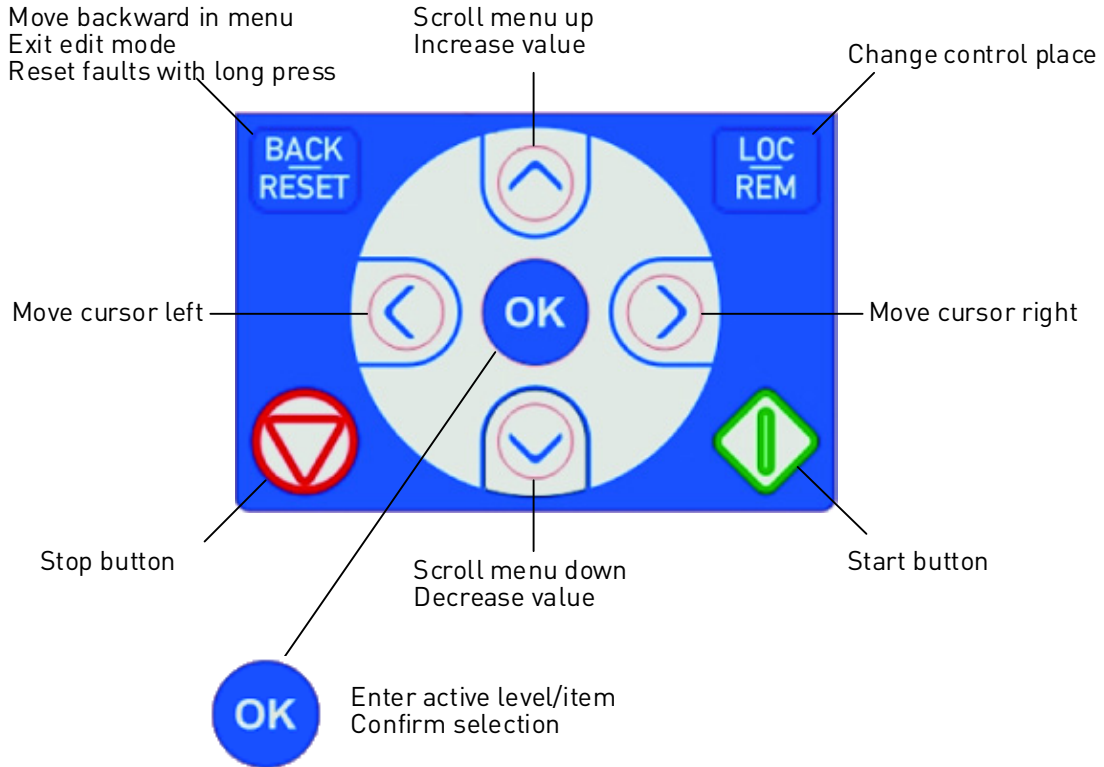


Figure 49. Keypad buttons.

8.2.5 VACON KEYPAD WITH GRAPHICAL DISPLAY

The graphical keypad features an LCD display and 9 buttons.

8.2.5.1 Keypad display

The keypad display indicates the status of the motor and the drive and any irregularities in motor or drive functions. On the display, the user sees information about his present location in the menu structure and the item displayed.

8.2.5.2 Main menu

The data on the control keypad are arranged in menus and submenus. Use the Up and Down arrows to move between the menus. Enter the group/item by pressing the OK button and return to the former level by pressing the Back/Reset button.

The *Location field* indicates your current location. The *Status field* gives information about the present status of the drive. See Figure 50.

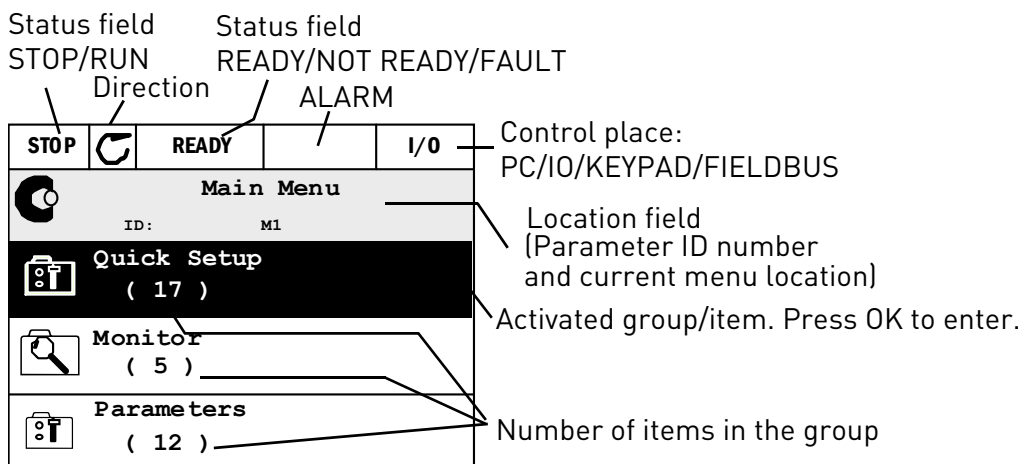


Figure 50. Main menu.

8.2.5.3 Using the graphical keypad

Editing values

Change value of a parameter following the procedure below:

1. Locate the parameter.
2. Enter the *Edit* mode.
3. Set new value with the arrow buttons up/down. You can also move from digit to digit with the arrow buttons left/right if the value is numerical and change then the value with the arrow buttons up/down.
4. Confirm change with OK button or ignore change by returning to previous level with Back/Reset button.

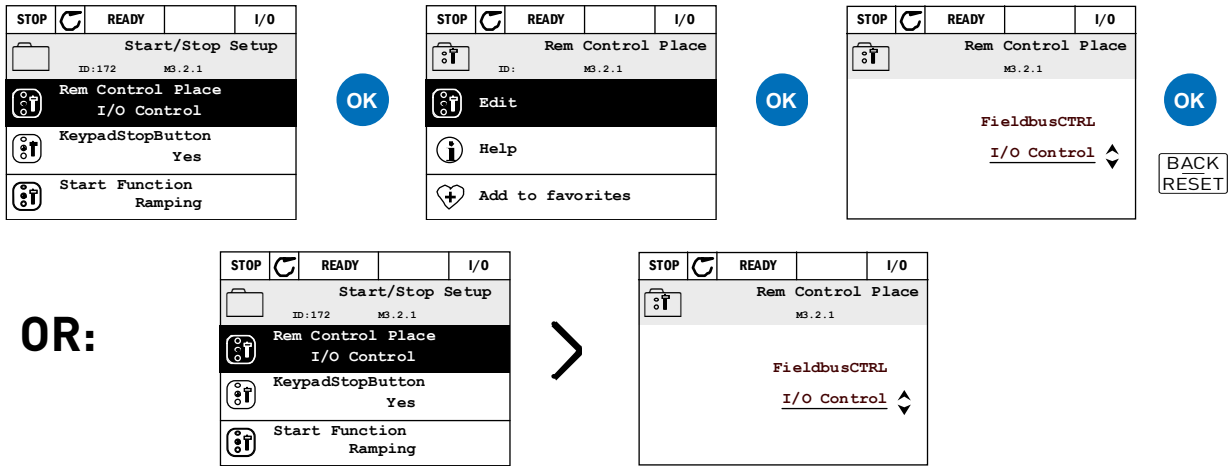


Figure 51. Editing values on graphical keypad.

Resetting fault

Instructions for how to reset a fault can be found in the Application Manual.

Local/Remote control button

The LOC/REM button is used for two functions: to quickly access the Control page and to easily change between the Local (Keypad) and Remote control places.

Control places

The *control place* is the source of control where the drive can be started and stopped. Every control place has its own parameter for selecting the frequency reference source. In the drive, the *Local control place* is always the keypad. The *Remote control place* is determined by parameter P1.15 (I/O or Fieldbus). The selected control place can be seen on the status bar of the keypad.

Remote control place

I/O A, I/O B and Fieldbus can be used as remote control places. I/O A and Fieldbus have the lowest priority and can be chosen with parameter P3.2.1 (*Rem Control Place*). I/O B, again, can bypass the remote control place selected with parameter P3.2.1 using a digital input. The digital input is selected with parameter (*I/O B Ctrl Force*).

Local control

Keypad is always used as control place while in local control. Local control has higher priority than remote control. Therefore, if, for example, bypassed by parameter (*I/O B Ctrl Force*) through digital input while in *Remote*, the control place will still switch to Keypad if *Local* is selected. Switching between Local and Remote Control can be done by pressing the Loc/Rem-button on the keypad or by using the "Local/Remote" (ID211) parameter.

Changing control places

Change of control place from *Remote* to *Local* (keypad).

1. Anywhere in the menu structure, push the *Loc/Rem* button.
2. Push the *Arrow up* or the *Arrow down* button to select *Local/Remote* and confirm with the *OK* button.
3. On the next display, select *Local* or *Remote* and again confirm with the *OK* button.
4. The display will return to the same location as it was when the *Loc/Rem* button was pushed. However, if the Remote control place was changed to Local (Keypad) you will be prompted for keypad reference.

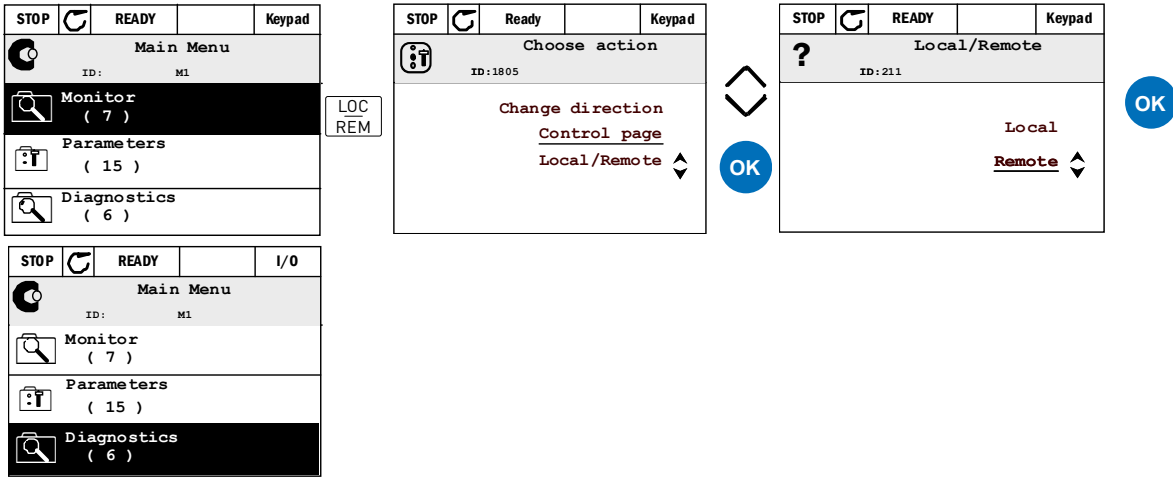


Figure 52. Changing control places.

Accessing the control page

The *Control page* is meant for easy operation and monitoring of the most essential values.

1. Anywhere in the menu structure, push the *Loc/Rem* button.
2. Push the *Arrow up* or the *Arrow down* button to select *Control page* and confirm with the *OK* button.
3. The control page appears
 If keypad control place and keypad reference are selected to be used you can set the *Keypad reference* after having pressed the *OK* button. If other control places or reference values are used the display will show Frequency reference which is not editable. The other values on the page are Multimonitoring values. You can choose which values appear here for monitoring.

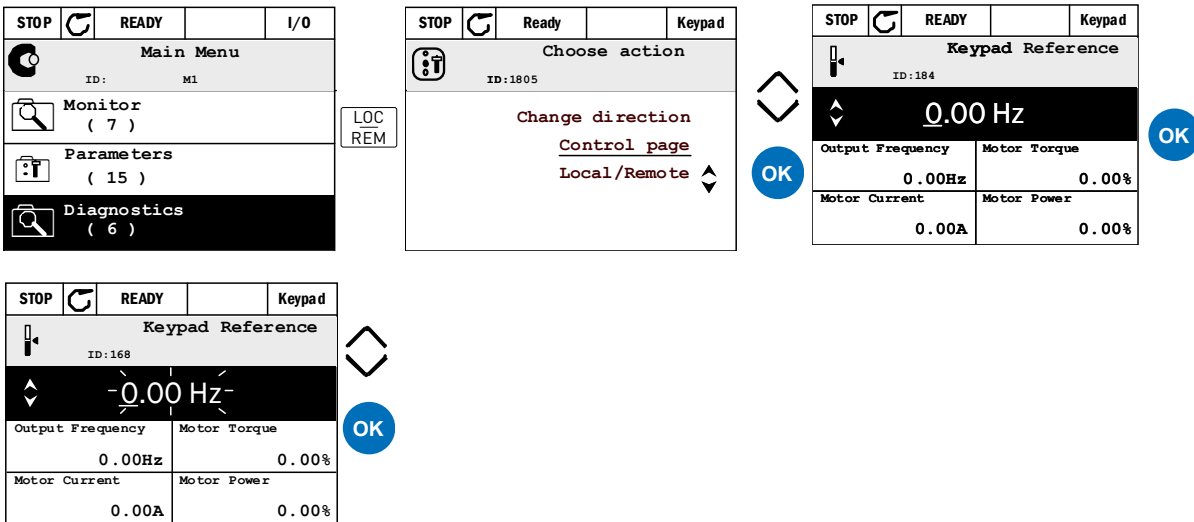


Figure 53. Accessing Control page.

Copying parameters

NOTE: This feature is available with graphical keypad only.

The parameter copy function can be used to copy parameters from one drive to another.

The parameters are first saved to the keypad, then the keypad is detached and connected to another drive. Finally the parameters are downloaded to the new drive restoring them from the keypad.

Before any parameters can successfully be copied from one drive to another the drive has to be stopped when the parameters are downloaded.

- First go into *User settings* menu and locate the *Parameter backup* submenu. In the *Parameter backup* submenu, there are three possible functions to be selected:
- *Restore factory defaults* will re-establish the parameter settings originally made at the factory.
- By selecting *Save to keypad* you can copy all parameters to the keypad.
- *Restore from keypad* will copy all parameters from keypad to a drive.

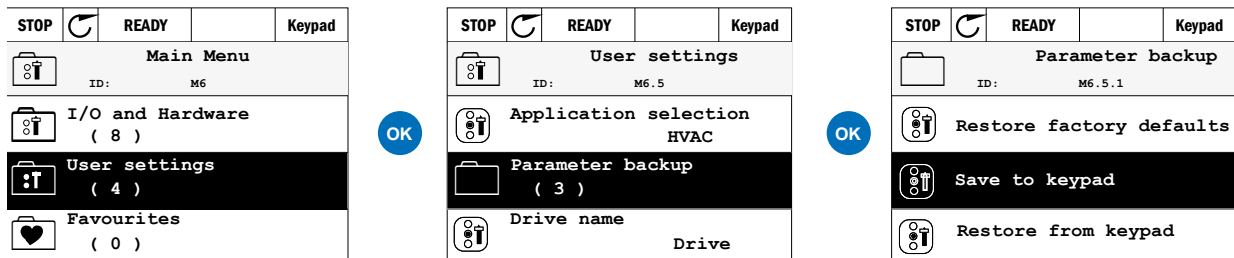


Figure 54. Parameter copy.

NOTE: If the keypad is changed between drives of different sizes, the copied values of these parameters will not be used:

- Motor nominal current (P3.1.1.4)
- Motor nominal voltage (P3.1.1.1)
- Motor nominal speed (P3.1.1.3)
- Motor nominal power (P3.1.1.6)
- Motor nominal frequency (P3.1.1.2)
- Motor cosphi (P3.1.1.5)
- Switching frequency (P3.1.2.1)
- Motor current limit (P3.1.1.7)
- Stall current limit (P3.9.12)
- Stall time limit (P3.9.13)
- Stall frequency (P3.9.14)
- Maximum frequency (P3.3.2)

Help texts

The graphical keypad features instant help and information displays for various items. All parameters offer an instant help display. Select Help and press the OK button. Text information is also available for faults, alarms and the startup wizard.

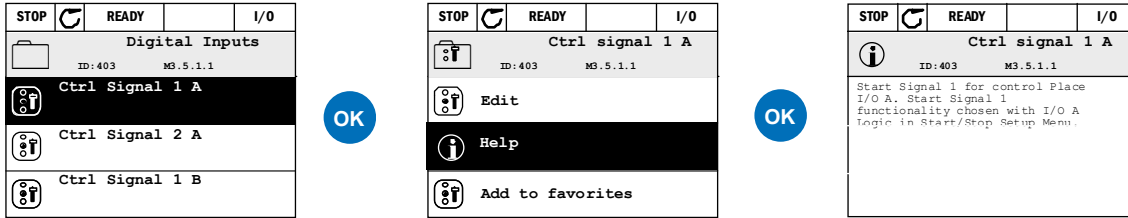


Figure 55. Help text example.

Adding item to favourites

You might need to refer to certain parameter values or other items often. Instead of locating them one by one in the menu structure, you may want to add them to a folder called *Favorites* where they can easily be reached.

To add an item to the Favorites.

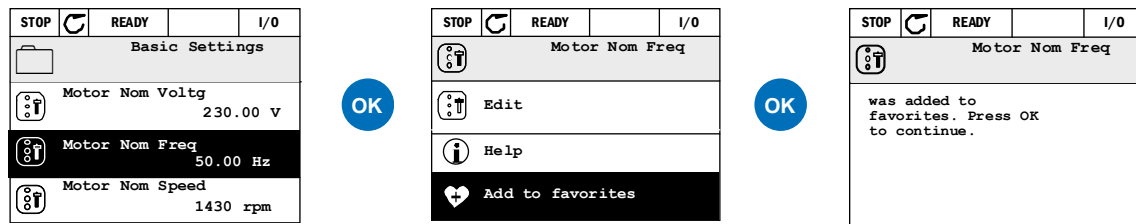


Figure 56. Adding item to Favorites.

8.2.6 VACON KEYPAD WITH TEXT SEGMENT DISPLAY

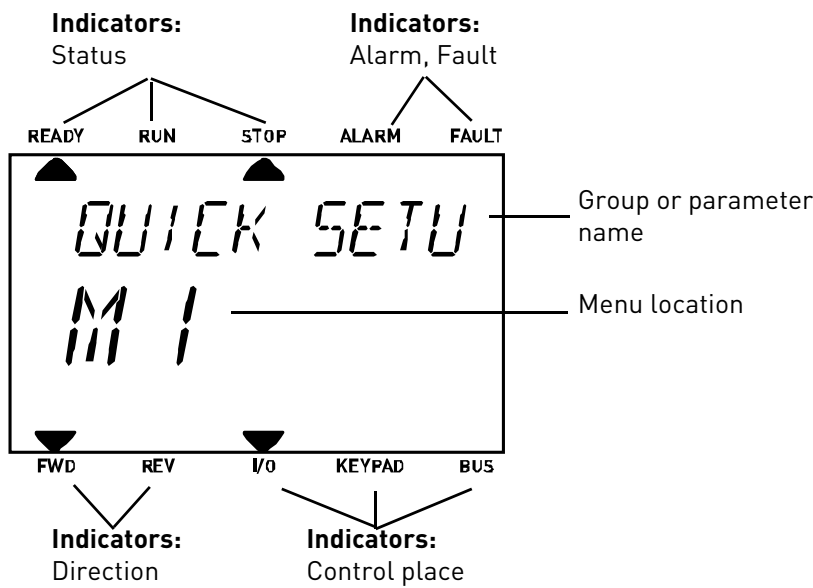
You can also choose a *Keypad with text segment display* (Text keypad) for your user interface. It has mainly the same functionalities as the keypad with graphical display although some of these are somewhat limited.

8.2.6.1 Keypad display

The keypad display indicates the status of the motor and the drive and any irregularities in motor or drive functions. On the display, the user sees information about his present location in the menu structure and the item displayed. If the text on the text line is too long to fit in the display, the text will scroll from left to right to reveal the whole text string.

8.2.6.2 Main menu

The data on the control keypad are arranged in menus and submenus. Use the Up and Down arrows to move between the menus. Enter the group/item by pressing the OK button and return to the former level by pressing the Back/Reset button.



8.2.6.3 *Using the keypad*

Editing values

Change value of a parameter following the procedure below:

1. Locate the parameter.
2. Enter the Edit mode by pressing OK.
3. Set new value with the arrow buttons up/down. You can also move from digit to digit with the arrow buttons left/right if the value is numerical and change then the value with the arrow buttons up/down.
4. Confirm change with OK button or ignore change by returning to previous level with Back/Reset button.

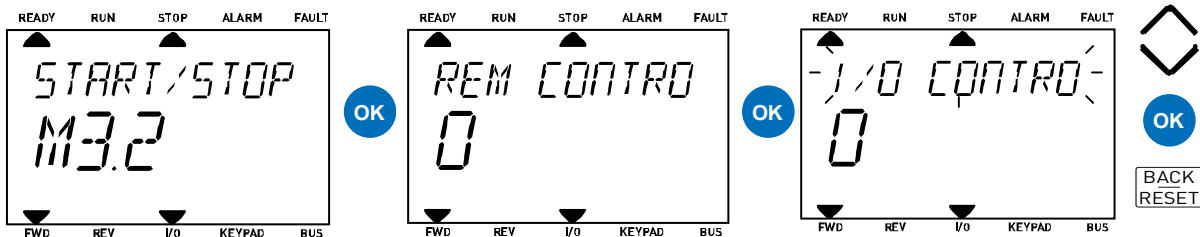


Figure 57. Editing values.

Resetting fault

Instructions for how to reset a fault can be found in paragraph 8.2.7.

Local/Remote control button

The LOC/REM button is used for two functions: to quickly access the Control page and to easily change between the Local (Keypad) and Remote control places.

Control places

The *control place* is the source of control where the drive can be started and stopped. Every control place has its own parameter for selecting the frequency reference source. In the HVAC drive, the *Local control place* is always the keypad. The *Remote control place* is determined by parameter P1.15 (I/O or Fieldbus). The selected control place can be seen on the status bar of the keypad.

Remote control place

I/O A, I/O B and Fieldbus can be used as remote control places. I/O A and Fieldbus have the lowest priority and can be chosen with parameter P3.2.1 (*Rem Control Place*). I/O B, again, can bypass the remote control place selected with parameter P3.2.1 using a digital input. The digital input is selected with parameter (*I/O B Ctrl Force*).

Local control

Keypad is always used as control place while in local control. Local control has higher priority than remote control. Therefore, if, for example, bypassed by parameter (*I/O B Ctrl Force*) through digital input while in *Remote*, the control place will still switch to Keypad if *Local* is selected. Switching between Local and Remote Control can be done by pressing the Loc/Rem-button on the keypad or by using the "Local/Remote" (ID211) parameter.

Changing control places

Change of control place from *Remote* to *Local* (keypad).

1. Anywhere in the menu structure, push the Loc/Rem button.

2. Using the arrow buttons, select Local/Remote and confirm with the OK button.
3. On the next display, select Local or Remote and again confirm with the OK button.
4. The display will return to the same location as it was when the *Loc/Rem* button was pushed. However, if the Remote control place was changed to Local (Keypad) you will be prompted for keypad reference.

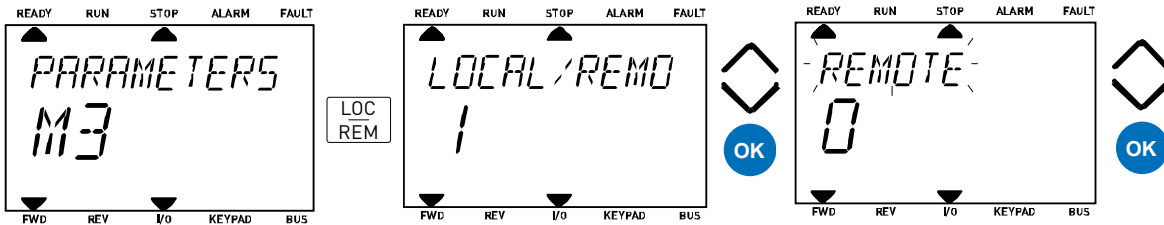


Figure 58. Changing control places.

Accessing the control page

The *Control page* is meant for easy operation and monitoring of the most essential values.

7. Anywhere in the menu structure, push the *Loc/Rem* button.
8. Push the *Arrow up* or the *Arrow down* button to select *Control page* and confirm with the *OK* button.
9. The control page appears
 If keypad control place and keypad reference are selected to be used you can set the *Keypad reference* after having pressed the *OK* button. If other control places or reference values are used the display will show Frequency reference which is not editable.

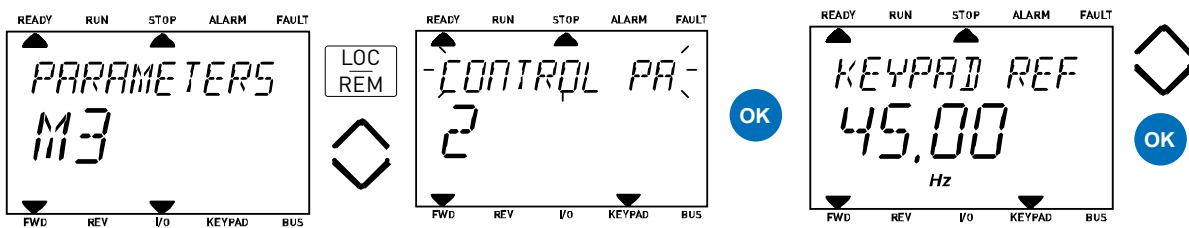


Figure 59. Accessing Control page.

8.2.7 FAULT TRACING

When an unusual operating condition is detected by the AC drive control diagnostics, the drive initiates a notification visible, for example, on the keypad. The keypad will show the code, the name and a short description of the fault or alarm.

The notifications vary in consequence and required action. *Faults* make the drive stop and require reset of the drive. *Alarms* inform of unusual operating conditions but the drive will continue running. *Info* may require resetting but do not affect the functioning of the drive.

For some faults you can program different responses in the application. See parameter group Protections.

The fault can be reset with the *Reset button* on the control keypad or via the I/O terminal. The faults are stored in the Fault history menu which can be browsed. The different fault codes you will find in the table below.

NOTE: When contacting distributor or factory because of a fault condition, always write down all texts and codes on the keypad display.

Fault appears

When a fault appears and the drive stops examine the cause of fault, perform the actions advised here and reset the fault as instructed below.

1. With a long (1 s) press on the *Reset* button on the keypad or
2. By entering the *Diagnostics* Menu (M4), entering *Reset faults* (M4.2) and selecting *Reset faults* parameter.
3. **For keypad with LCD display only:** By selecting value Yes for the parameter and clicking OK.

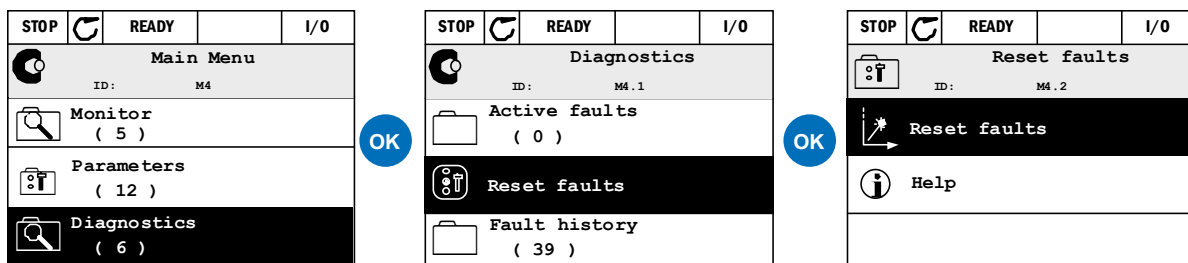


Figure 60. Diagnostic menu with graphical keypad.

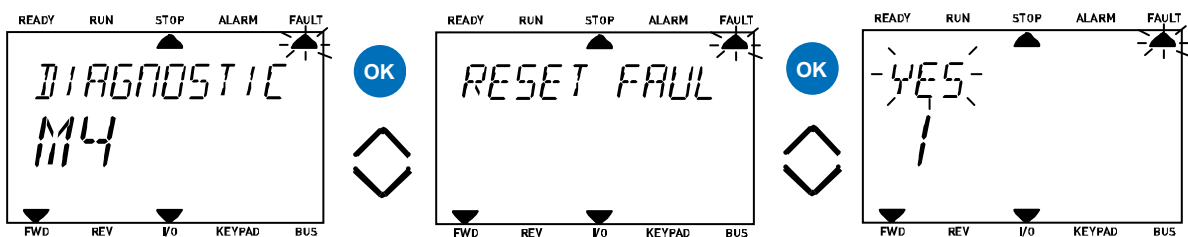


Figure 61. Diagnostic menu with text keypad.

8.2.7.1 *Fault History*

In menu M4.3 Fault history you find the maximum number of 40 occurred faults. On each fault in the memory you will also find additional information, see below.

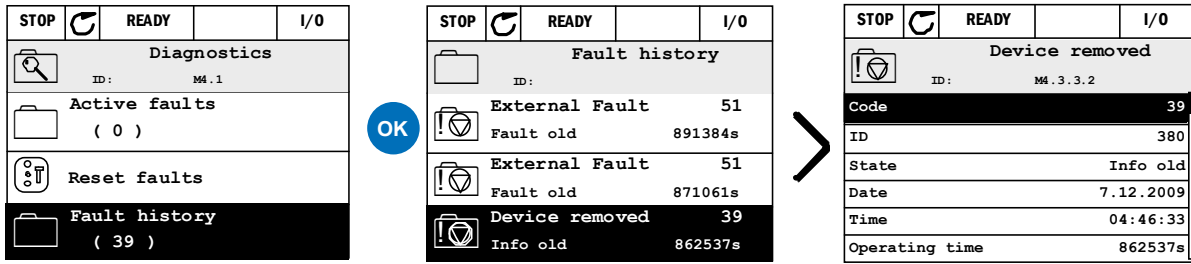


Figure 62. Fault history menu with graphical keypad.

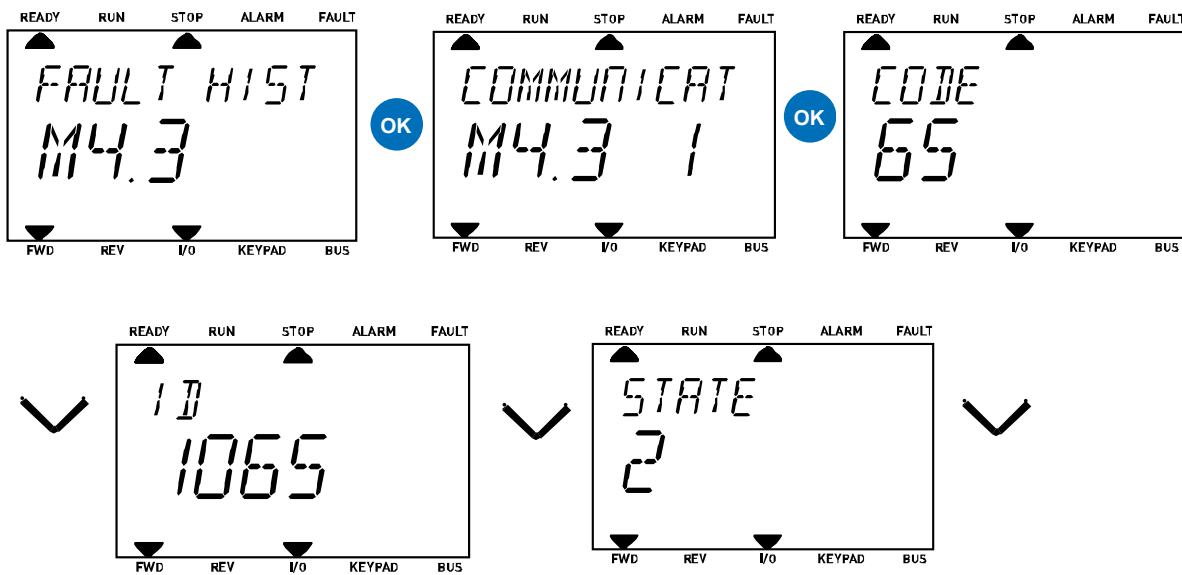


Figure 63. Fault history menu with text keypad.

8.2.7.2 *Fault codes*

Fault code	Fault ID	Fault name	Possible cause	Remedy
1	1	Overcurrent (hardware fault)	AC drive has detected too high a current ($>4 \cdot I_M$) in the motor cable: <ul style="list-style-type: none"> sudden heavy load increase short circuit in motor cables unsuitable motor 	Check loading. Check motor. Check cables and connections. Make identification run. Check ramp times.
	2	Overcurrent (software fault)		
2	10	Overvoltage (hardware fault)	The DC-link voltage has exceeded the limits defined. <ul style="list-style-type: none"> too short a deceleration time brake chopper is disabled high overvoltage spikes in supply Start/Stop sequence too fast 	Make deceleration time longer. Use brake chopper or brake resistor (available as options). Activate overvoltage controller. Check input voltage.
	11	Overvoltage (software fault)		
3	20	Earth fault (hardware fault)	Current measurement has detected that the sum of motor phase current is not zero. <ul style="list-style-type: none"> insulation failure in cables or motor 	Check motor cables and motor.
	21	Earth fault (software fault)		
5	40	Charging switch	The charging switch is open, when the START command has been given. <ul style="list-style-type: none"> faulty operation component failure 	Reset the fault and restart. Should the fault re-occur, contact the distributor near to you.
7	60	Saturation	Various causes: <ul style="list-style-type: none"> defective component brake resistor short-circuit or overload 	Cannot be reset from keypad. Switch off power. DO NOT RE-CONNECT POWER! Contact factory. If this fault appears simultaneously with F1, check motor cables and motor.

Table 25. Fault codes and descriptions.

Fault code	Fault ID	Fault name	Possible cause	Remedy
8	600	System fault	Communication between control board and power unit has failed.	Reset the fault and restart. Should the fault re-occur, contact the distributor near to you.
	601		Communication between control board and power unit has interference, but it is still working.	
	602		Watchdog has reset the CPU	
	603		Voltage of auxiliary power in power unit is too low.	
	604		Phase fault: Voltage of an output phase does not follow the reference	
	605		CPLD has faulted but there is no detailed information about the fault	
	606		Control and power unit software are incompatible	Update software. Should the fault re-occur, contact the distributor near to you.
	607		Software version cannot be read. There is no software in power unit.	Update power unit software. Should the fault re-occur, contact the distributor near to you.
	608		CPU overload. Some part of the software (for example application) has caused an overload situation. The source of fault has been suspended	Reset the fault and restart. Should the fault re-occur, contact the distributor near to you.
	609		Memory access has failed. For example, retain variables could not be restored.	
	610		Necessary device properties cannot be read.	
	614		Configuration error.	
	647		Software error	Update software. Should the fault re-occur, contact the distributor near to you.
	648		Invalid function block used in application. System software and application are not compatible.	
649	Resource overload. Error when loading parameter initial values. Error when restoring parameters. Error when saving parameters.			
9	80	Undervoltage (fault)	DC-link voltage is under the voltage limits defined. <ul style="list-style-type: none"> • most probable cause: too low a supply voltage • AC drive internal fault • defect input fuse • external charge switch not closed NOTE! This fault is activated only if the drive is in Run state.	In case of temporary supply voltage break reset the fault and restart the AC drive. Check the supply voltage. If it is adequate, an internal failure has occurred. Contact the distributor near to you.
	81	Undervoltage (alarm)		
10	91	Input phase	Input line phase is missing.	Check supply voltage, fuses and cable.

Table 25. Fault codes and descriptions.

Fault code	Fault ID	Fault name	Possible cause	Remedy
11	100	Output phase supervision	Current measurement has detected that there is no current in one motor phase.	Check motor cable and motor.
12	110	Brake chopper supervision (hardware fault)	No brake resistor installed. Brake resistor is broken.	Check brake resistor and cabling. If these are ok, the chopper is faulty. Contact the distributor near to you.
	111	Brake chopper saturation alarm	Brake chopper failure.	
13	120	AC drive under-temperature (fault)	Too low temperature measured in power unit's heatsink or board. Heat-sink temperature is under -10°C.	Check the ambient temperature
14	130	AC drive over-temperature (fault, heatsink)	Too high temperature measured in power unit's heatsink or board. Heat-sink temperature is over 100°C.	Check the correct amount and flow of cooling air. Check the heatsink for dust. Check the ambient temperature. Make sure that the switching frequency is not too high in relation to ambient temperature and motor load.
	131	AC drive over-temperature (alarm, heatsink)		
	132	AC drive over-temperature (fault, board)		
	133	AC drive over-temperature (alarm, board)		
15	140	Motor stalled	Motor is stalled.	Check motor and load.
16	150	Motor overtemperature	Motor is overloaded.	Decrease motor load. If no motor overload exists, check the temperature model parameters.
17	160	Motor underload	Motor is underloaded.	Check load.
19	180	Power overload (short-time supervision)	Drive power is too high.	Decrease load.
	181	Power overload (long-time supervision)		
25	240	Motor control fault	Start angle identification has failed.	Reset the fault and restart. Should the fault re-occur, contact the distributor near to you.
	241		Generic motor control fault.	
30	290	STO fault	Safe OFF signal A does not allow AC drive to be set to READY state.	Reset the fault and restart. Should the fault re-occur, contact the distributor near to you.
	291		Safe OFF signal B does not allow AC drive to be set to READY state.	
32	312	Fan cooling	Fan life time is up.	Change fan and reset fan life time counter.
33	320	Fire mode enabled	Fire mode of the drive is enabled. The drive's protections are not in use.	Check the parameter settings
37	360	Device changed (same type)	Option board changed for one previously inserted in the same slot. The board's parameter settings are saved.	Device is ready for use. Old parameter settings will be used.

Table 25. Fault codes and descriptions.

Fault code	Fault ID	Fault name	Possible cause	Remedy
38	370	Device changed (same type)	Option board added. The option board was previously inserted in the same slot. The board's parameter settings are saved.	Device is ready for use. Old parameter settings will be used.
39	380	Device removed	Option board removed from slot.	Device no longer available.
40	390	Device unknown	Unknown device connected (power unit/option board)	Device no longer available.
41	400	IGBT temperature	IGBT temperature (unit temperature + I ₂ T) is too high.	Check loading. Check motor size. Make identification run.
44	430	Device changed (different type)	Option board changed or Power unit changed. No parameter settings are saved.	Set the option board parameters again if option board was changed. Set converter parameters again if power unit was changed.
45	440	Device changed (different type)	Option board added. The option board was not previously present in the same slot. No parameter settings are saved.	Set the option board parameters again.
51	1051	External Fault	Fault activated by digital input.	Check the digital input or the device connected to it. Check the parameter settings.
52	1052 1352	Keypad communication fault	The connection between the control keypad and frequency converter is broken	Check keypad connection and possible keypad cable
53	1053	Fieldbus communication fault	The data connection between the fieldbus master and fieldbus board is broken	Check installation and fieldbus master.
54	1654	Slot D fault	Defective option board or slot	Check board and slot.
	1754	Slot E fault		
65	1065	PC communication fault	The data connection between the PC and frequency converter is broken	
66	1066	Thermistor fault	The thermistor input has detected an increase of motor temperature	Check motor cooling and load. Check thermistor connection (If thermistor input is not in use it has to be short circuited)
68	1301	Maintenance counter 1 alarm	Maintenance counter has reached the alarm limit. It's a characteristic fault of the HVAC Application.	Carry out the needed maintenance and reset counter.
	1302	Maintenance counter 2 alarm	Maintenance counter has reached the alarm limit. It's a characteristic fault of the HVAC Application.	Carry out the needed maintenance and reset counter.
	1303	Maintenance counter 3 alarm	Maintenance counter has reached the alarm limit. It's a characteristic fault of the HVAC Application.	Carry out the needed maintenance and reset counter.
	1304	Maintenance counter 4 alarm	Maintenance counter has reached the alarm limit. It's a characteristic fault of the HVAC Application.	Carry out the needed maintenance and reset counter.

Table 25. Fault codes and descriptions.

Fault code	Fault ID	Fault name	Possible cause	Remedy
69	1310	Fieldbus mapping error	Non-existing ID number is used for mapping values to Fieldbus Process Data Out.	Check parameters in Fieldbus Data Mapping menu.
	1311		Not possible to convert one or more values for Fieldbus Process Data Out.	The value being mapped may be of undefined type. Check parameters in Fieldbus Data-Mapping menu.
	1312		Overflow when mapping and converting values for Fieldbus Process Data Out (16-bit).	
100	1100	Soft fill timeout	The Soft fill function in the PID controller has timed out. The wanted process value was not achieved within time. It's a characteristic fault of the HVAC Application.	Reason might be a pipe burst.
101	1101	Process supervision fault (PID1)	PID controller: Feedback value outside of supervision limits (and the delay if set). It's a characteristic fault of the HVAC Application.	Check settings.
105	1105	Process supervision fault (PID2)	PID controller: Feedback value outside of supervision limits (and the delay if set). It's a characteristic fault of the HVAC Application.	Check settings.

Table 25. Fault codes and descriptions.

9. SAFE TORQUE OFF









This chapter describes the Safe Torque Off (STO) function which is a functional safety feature present into Vacon 100 X drive products as standard.

9.1 GENERAL DESCRIPTION

The STO function brings the motor in no-torque-state as defined by 4.2.2.2 of the IEC 61800-5-2: *"Power that can cause rotation (or motion in the case of a linear motor) is not applied to the motor. The Power Drive System (Safety Related) will not provide energy to the motor which can generate torque (or force in the case of a linear motor)."*

Therefore, the STO function is suitable for applications that rely on the immediate removal of power to the actuator, resulting in an uncontrolled coast to stop (activated by an STO demand). **Additional protective measures need to be applied when an application requires a different stopping action.**

9.2 WARNINGS

	Designing of safety-related systems require specialist knowledge and skills. Only qualified people are permitted to install and set up the STO function. The use of STO does not itself ensure safety. An overall risk evaluation is required for ensuring that the commissioned system is safe. Safety devices must be correctly incorporated into the entire system which must be designed in compliance with all relevant standards within the field of industry.
	The information in this manual provides guidance on the use of the STO function. This information is in compliance with accepted practice and regulations at the time of writing. However, the end product/system designer is responsible for ensuring that the end-system is safe and in compliance with relevant regulations.
	When a permanent magnet motor is used and in case of a multiple IGBT power semiconductor failure, when the STO option energizes the drive outputs to the off state, the drive system may still provide an alignment torque which maximally rotates the motor shaft by $180^\circ/p$ (where p is the number of poles of the motor) before the torque production ceases.
	Electronic means and contactors are not adequate for protection against electric shock. The Safe Torque Off function does not disconnect the voltage or the mains from the drive. Therefore hazardous voltages may still be present on the motor. If electrical or maintenance work has to be carried out on electrical parts of the drive or the motor, the drive has to be completely isolated from the main supply, e.g. using an external supply disconnecting switch (see EN60204-1).
	This safety function corresponds to an uncontrolled stop in accordance with stop category 0 of IEC 60204-1. The STO function does not comply with Emergency Switching Off according to IEC 60204-1 (no galvanic insulation from the Mains in case the motor is stopped).
	The STO function is not a prevention of unexpected start-up. To fulfil those requirements, additional external components are required according to appropriate standards and application requirements.
	In circumstances where external influences (e.g. falling of suspended loads) are present additional measures (e.g. mechanical brakes) may be necessary to prevent any hazard.
	STO shall not be used as a control for starting or stopping the drive.

9.3 STANDARDS

The STO function has been designed for being used in accordance with the following standards:

Standards
IEC 61508, Parts 1-7
EN 61800-5-2
EN 62061
ISO 13849-1
EN 954-1
IEC 60204-1

Table 26. Safety Standards.

The STO function has to be applied correctly to achieve the desired level of operational safety. Four different levels are allowed, depending on the use of the STO signals (see the following table).

STO inputs	STO feedback	Cat.	PL	SIL
Both dynamically used(*)	Used	4	e	3
Both statically used	Used	3	e	3
Connected in parallel	Used	2	d	2
Connected in parallel	Not used	1	c	1

Table 27. Four different STO levels. (*) see 9.5.1.

The same values are calculated for SIL and SIL CL. According to EN 60204-1, the emergency stop category is 0.

The SIL value for Safety related system, operating in high demand/continuous mode, is related to the probability of dangerous failure per hour (PFH), reported in the following table.

STO inputs	STO feedback	PFH	PFDav	MTTFd	DCavg
Both dynamically used(*)	Used	1.2 E-09 1/h	1.0 E-04	>4274 a	HIGH
Both statically used	Used	1.2 E-09 1/h	1.1 E-04	>4274 a	MEDIUM
Connected in parallel	Used	1.2 E-09 1/h	1.1 E-04	>4274 a	MEDIUM
Connected in parallel	Not used	1.5 E-09 1/h	1.3 E-04	>4274 a	NONE

Table 28. SIL values. (*) see 9.5.1.



The STO inputs must always be supplied by a safety device.

The power supply of the safety device may be external or taken from the drive (as long as this is compliant with the rating specified for terminal 6).

9.4 THE PRINCIPLE OF STO

The STO functionality, such as the technical principles and data (wiring examples and commissioning) will be described in this chapter.

In Vacon 100 X, the STO function is realized by preventing the propagation of the control signals to the inverter circuit.

The inverter power stage is disabled through redundant disabling paths which start from the two separated and galvanically isolated STO inputs (S1-G1, S2-G2 in Figure 64). In addition, an isolated output feedback is generated to improve the diagnostics of the STO function and to achieve a better safety capability (F+, F- terminals). The values assumed by the STO output feedback are indicated in the following table:

STO inputs	Operating conditions	STO feedback output	Torque at the motor shaft
Both inputs energized with 24V DC	Normal operation	The feedback must be 0V	present (motor on)
Power removed from both inputs	STO demand	The feedback must be 24V	disabled (motor de-energized)
The STO inputs have different values	Failure in demand or due to internal fault	The feedback must be 0V	disabled (motor de-energized)(*)

Table 29. Values of the STO output feedback (and torque on the motor). (*) Only one channel is preventing the motor from moving.

The diagram below is a conceptual schematic diagram and is presented to illustrate the safety function with relevant safety components only shown.

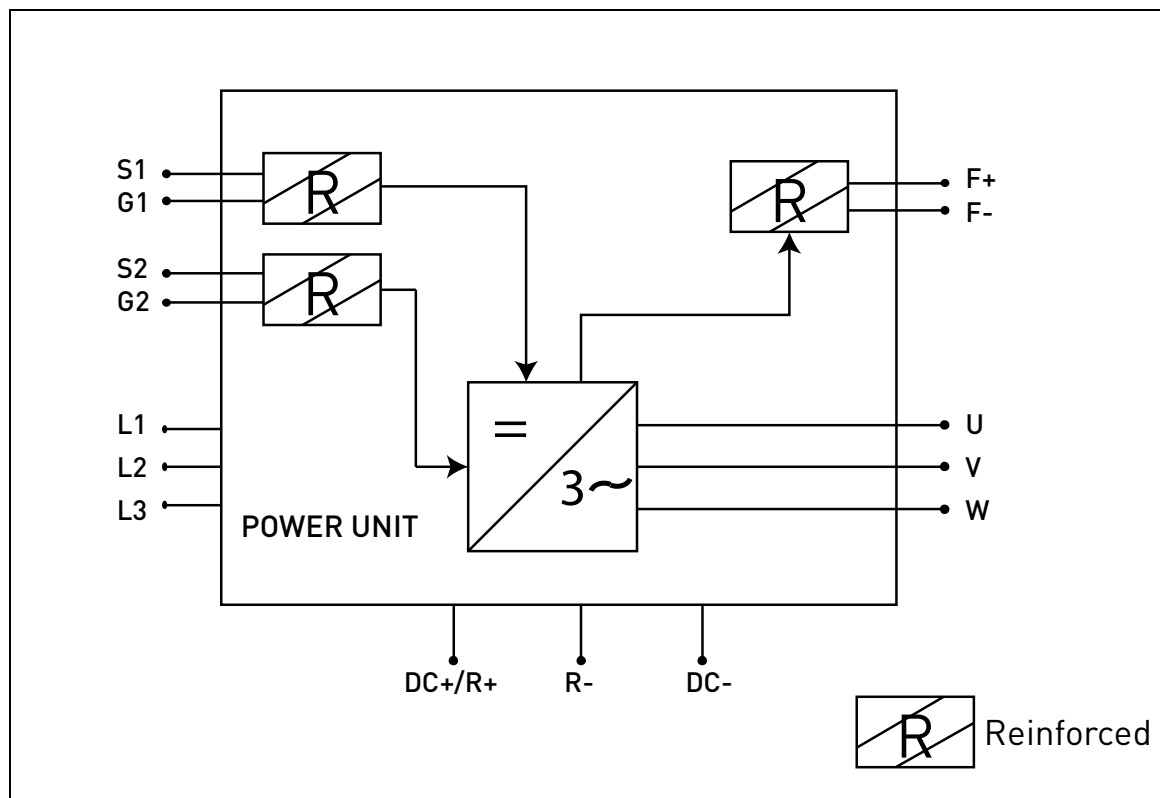


Figure 64. STO function principle.

9.4.1 TECHNICAL DETAILS

The STO inputs are digital inputs intended for a nominal 24V d.c. input, positive logic (e.g. enabled when high).

Technical information:	Technical values
Absolute maximum voltage range	24V \pm 20%
Typical input current at 24V	10...15 mA
Logic threshold	according to IEC 61131-2 15V...30V = "1" 0V...15V = "0"
Response time at nominal voltage:	
Reaction time	<20ms

Table 30. Electrical data.

The reaction time of the STO function is the amount of time which passes from the moment in which the STO is demanded till the system is in the Safe State. For Vacon 100 X, the reaction time is 20 ms minimum.

9.5 CONNECTIONS

To make the STO function available and ready to be used, both the STO jumpers have to be removed. They are located in front of the STO inputs to mechanically prevent the insertion of the STO connector. For the correct configuration, see the following table and the Figure 65.

Signal	Terminal	Technical information	Data
STO1	S1	Insulated digital input 1 (interchangeable polarity)	24V \pm 20% 10...15 mA
	G1		
STO2	S2	Insulated digital input 2 (interchangeable polarity)	24V \pm 20% 10...15 mA
	G2		
STO feed- back	F+	Insulated digital output for STO feedback (CAUTION! Polarity must be respected)	24V \pm 20% 15 mA max.
	F-		GND

Table 31. STO connector and data signals.

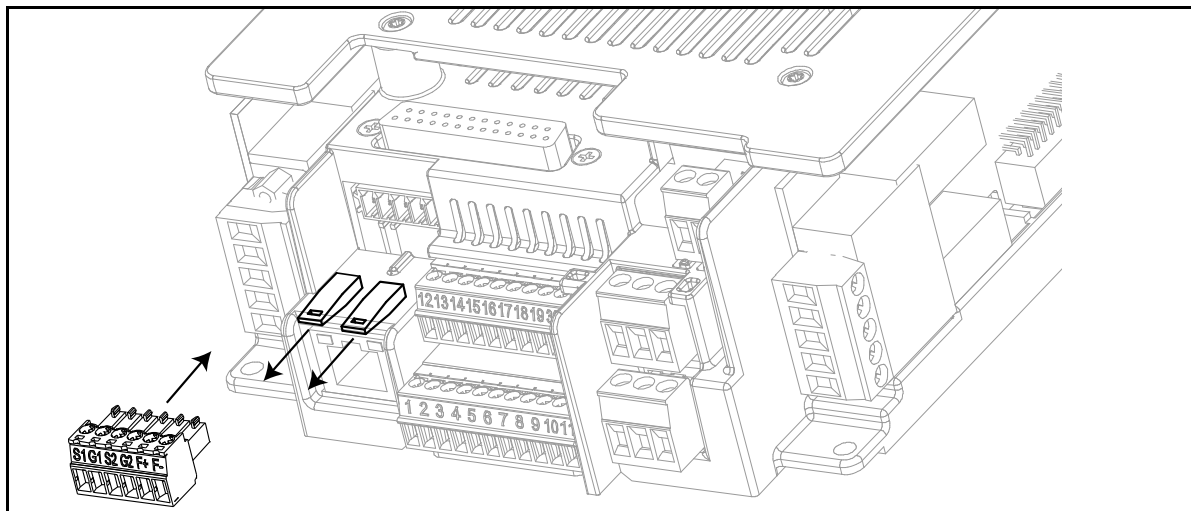


Figure 65. Removing the STO jumpers.

	Make sure that the frequency converter is switched off before cabling.
	Disconnect both the STO jumpers to allow the cabling of the terminals.
	When the STO function is used, the IP-class of the drive may not be reduced below IP54 . The IP-class of drive is IP66. It can be reduced by the wrong use of the cable entry plates or the cable glands.

The following examples show the basic principles for wiring the STO inputs and the STO output feedback. Local standards and regulations should be always followed in the final design.

9.5.1 SAFETY CAPABILITY CAT. 4 / PL e / SIL 3

For this safety capability, an external safety device must be installed. This must be used to dynamically activate the STO inputs and to monitor the STO output feedback.

The STO inputs are dynamically used when they do not commute together (static use), but according to the following picture (where the inputs are released with delay in turn). The dynamic use of the STO inputs allows detecting faults that may otherwise accumulate.

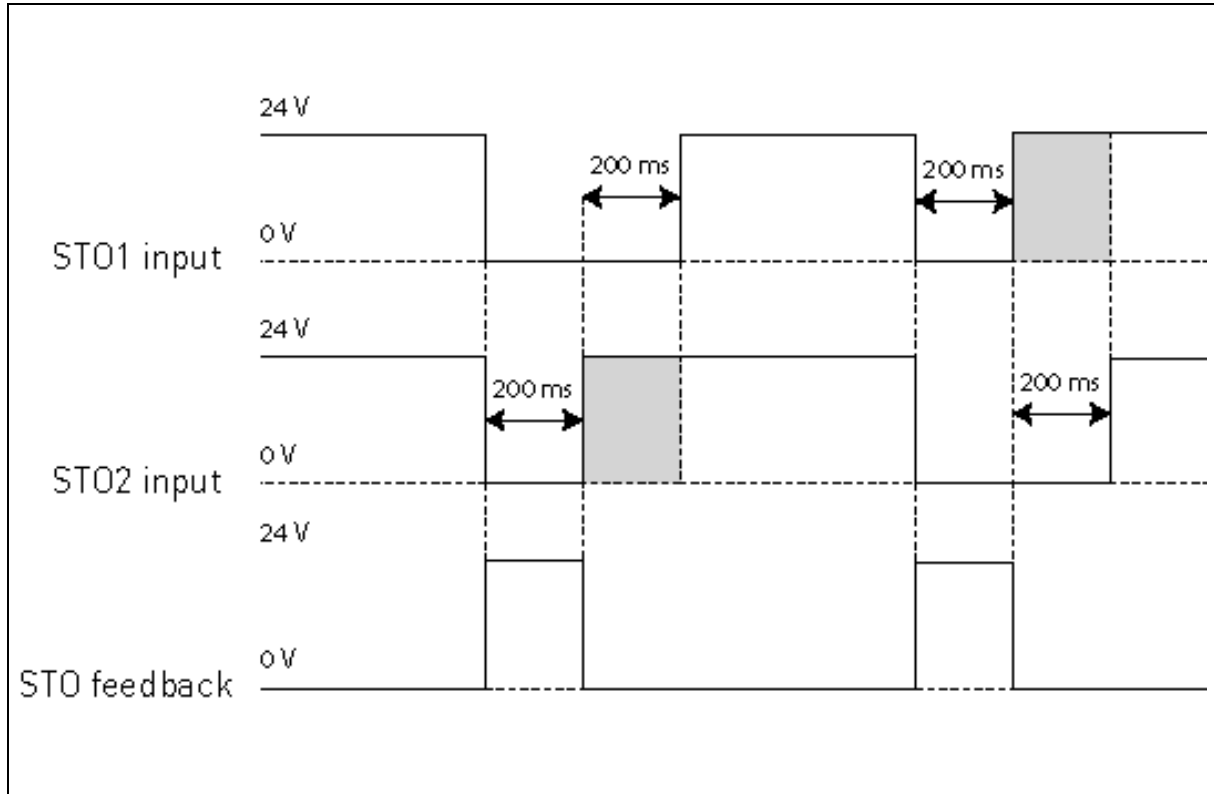


Figure 66.

	<p>An emergency push button connected to the STO inputs does not assure the same quality, because no fault detection is performed at a sufficient proof test interval (once a day is recommended).</p>
	<p>The external safety device, which forces the STO inputs and evaluates the STO output feedback, has to be a safe device and it has to fulfil the requirements of the specific application.</p>
	<p>A simple switch cannot be used in this case!</p>

The picture below shows an example of connection for the STO function. The external device has to be connected with 6 wires to the drive.

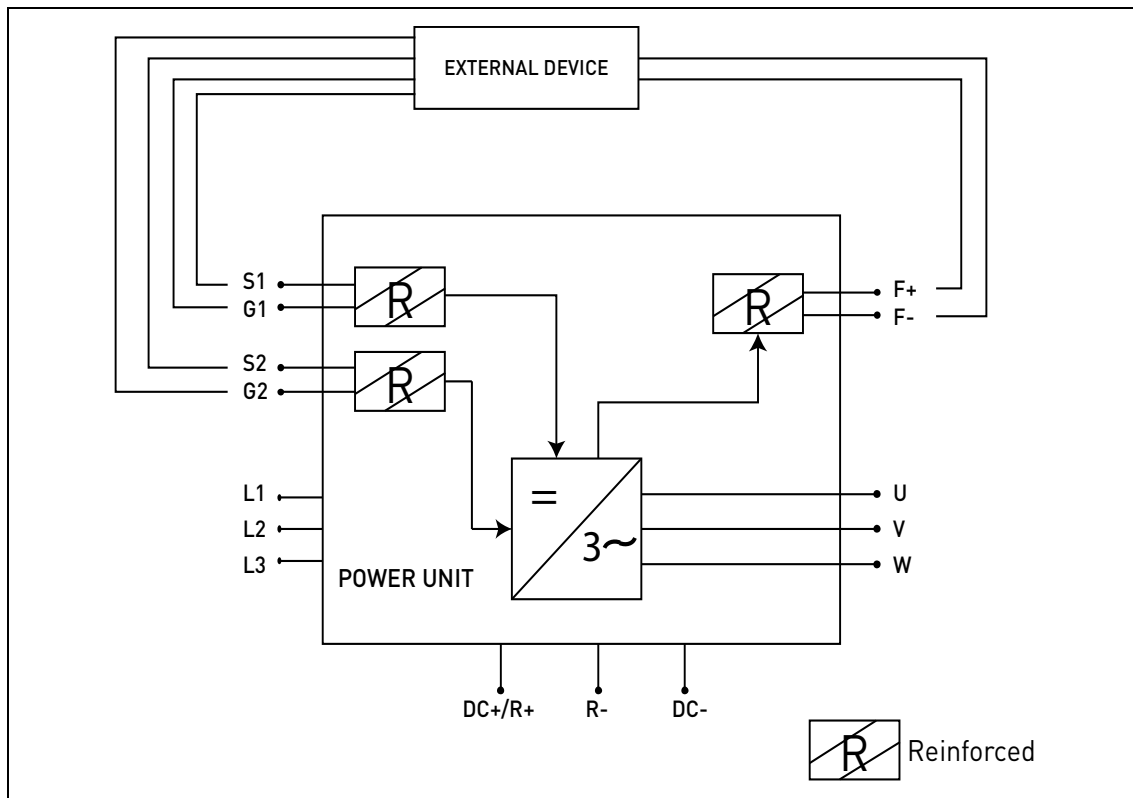


Figure 67. STO example with automatic monitoring of the feedback and both STO inputs used.

The external device has to monitor the STO function in accordance with the Table 29. The device has to periodically de-energize the STO inputs and it has to verify that the STO output feedback assumes the expected value.

Any difference between the expected and the real value has to be considered as a failure and has to drive the system into a Safe State. In case of failure, check the wiring. If the fault recognized by the external safety device persists, **the drive will have to be replaced/repared.**

9.5.2 SAFETY CAPABILITY CAT. 3 / PL e / SIL 3

The safety capability is reduced to Cat. 3 / PL e / SIL 3 if the STO inputs are statically used (which means they are forced to commute together).

Both STO inputs and the STO feedback have to be used. The same warnings and cabling instruction of 9.5.1 apply.

9.5.3 SAFETY CAPABILITY CAT. 2 / PL d / SIL 2

The safety capability is even more reduced to Cat. 2 / PL d / SIL 2 if the STO inputs are connected in parallel (no redundancy of the STO inputs).

The STO feedback has to be used. The same warnings of 9.5.1 apply. The picture below shows an example of connection for the STO function. The external device has to be connected with 4 wires to the drive.

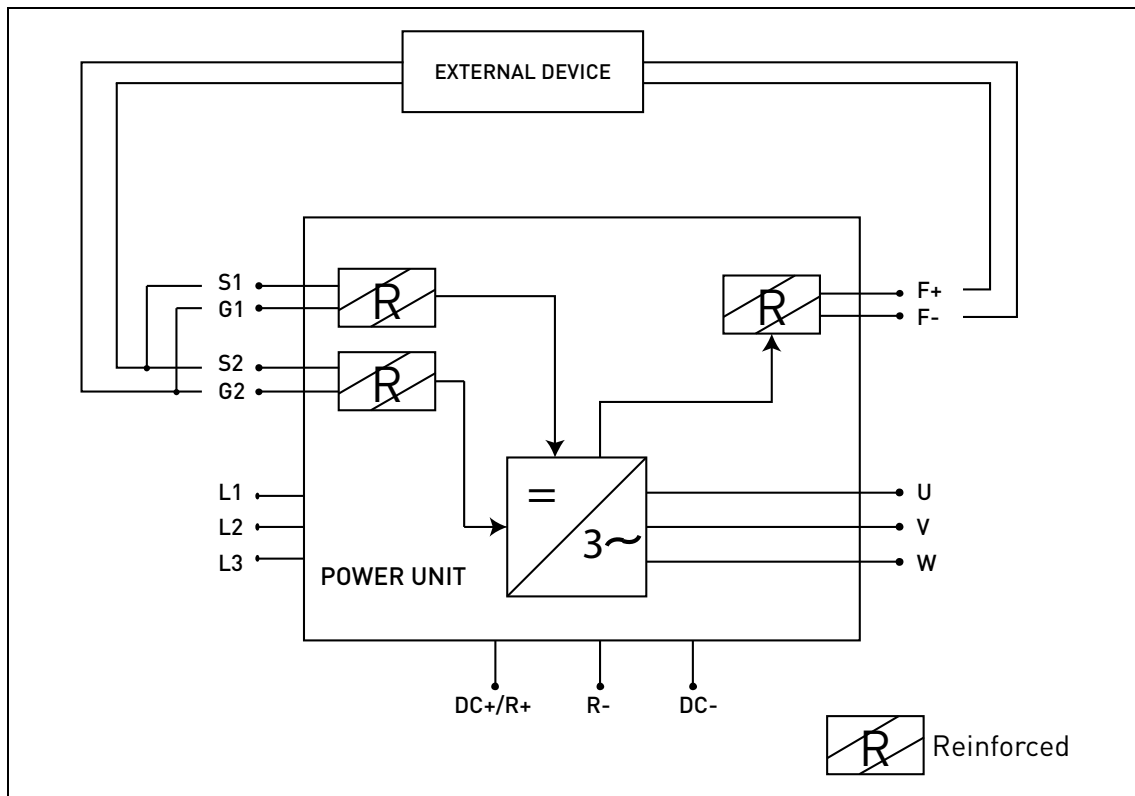





Figure 68. STO Example with automatic monitoring of the feedback and STO inputs connected in parallel.

9.5.4 SAFETY CAPABILITY CAT. 1 / PL c / SIL 1

Without any automatic monitoring of STO output feedback, the safety capability is reduced to Cat. 1 / PL c / SIL 1. The STO inputs (which can be connected in parallel) must be supplied by a safety push button or a safety relay.

	The choice of using the STO inputs (without the automatic monitoring of the output feedback) does not permit to achieve the other safety capabilities .
	The standards for functional safety require that functional proof tests are performed on the equipment at user-defined intervals. Therefore, this safety capability can be achieved, as long as the STO function is manually monitored at the proof test interval determined by the specific application (once a month can be acceptable).
	This safety capability can be achieved by connecting in parallel the STO inputs externally and by ignoring the use of the STO output feedback.

The picture below shows an example of connection for the STO function. A switch (a safety push button or a safety relay) may be connected with 2 wires to the drive.

When the contacts of the switch are opened, the STO is demanded, the drive indicates F30 (= "Safe Torque Off") and the motor stops by coasting.

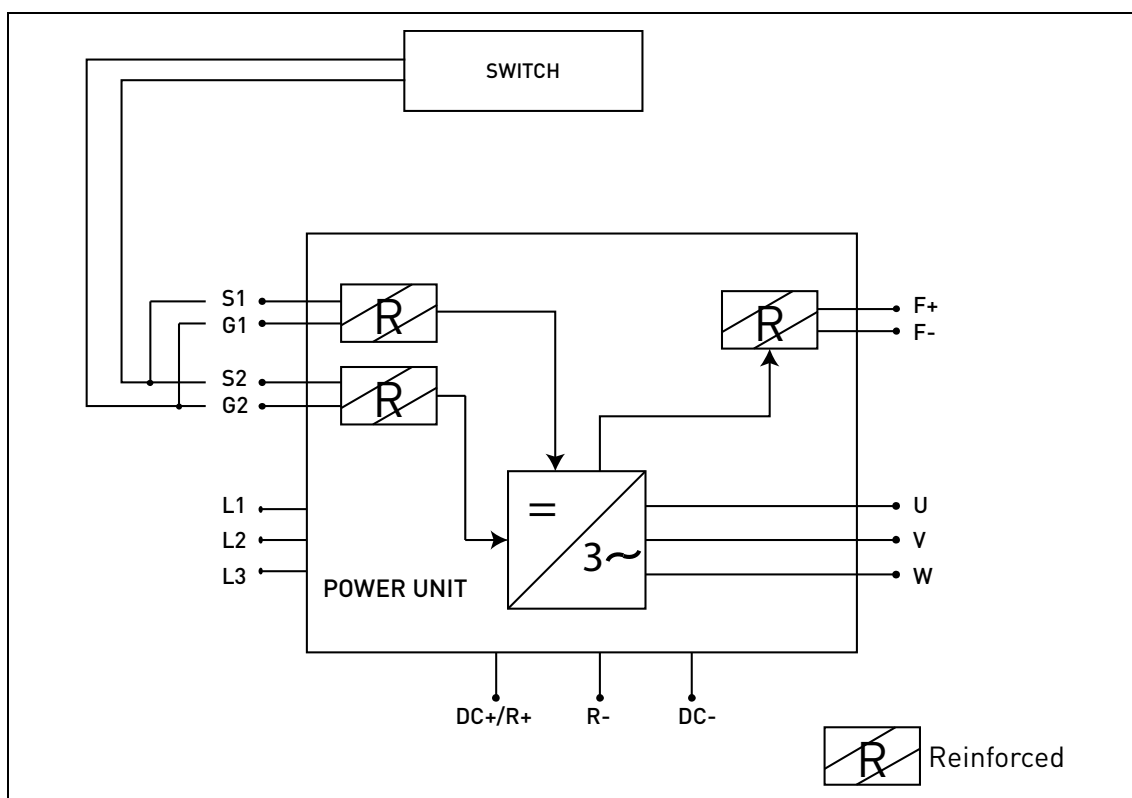




Figure 69. STO example without automatic monitoring of the feedback and STO inputs connected in parallel.

9.6 COMMISSIONING

9.6.1 GENERAL WIRING INSTRUCTIONS

	Protect the STO cabling with a shielding or an enclosure to exclude external fault.
	Wires ferrules are highly recommended for all STO signals (inputs and feedback).

The wiring should be done according to the general wiring instructions for the specific product. A shielded cable is required. In addition, the voltage drop from the supply point to the load shall not exceed 5% [EN 60204-1 part 12.5].

The following table indicates examples of cables to be used.

STO feedback	Cable size
STO feedback automatically monitored by an external safety device	3 x (2 + 1) x 0,5 mm ² (*)
STO feedback ignored, simply safety device (switch) used	2 x (2 + 1) x 0,5 mm ²

Table 32. Cable types required to meet the standards. (*) Additional wires are needed for restarting the drive after each STO demand.

9.6.2 CHECKLIST FOR THE COMMISSIONING




Follow the checklist of the table below with the steps required to use the STO function.

<input type="checkbox"/>	Carry out a risk assessment of the system to ensure that the use of the STO function is safe and according to the local regulations
<input type="checkbox"/>	Include in the assessment an examination of whether the use of external devices, such as a mechanical brake, is required.
<input type="checkbox"/>	Check if the switch (if used) has been chosen according to the required safety performance target (SIL/PL/Category) set during the risk evaluation
<input type="checkbox"/>	Check if the external device for automatic monitoring of the STO output feedback (if used) has been chosen in accordance with the specific application
<input type="checkbox"/>	Check if the reset function with the STO function (if used) is edge sensitive.
<input type="checkbox"/>	The shaft of a permanent magnet motor might, in an IGBT fault situation, still provide energy before the torque production ceases. This may result in a jerk of max. 180° electrically. Ensured that the system is designed in such a way that this can be accepted.
<input type="checkbox"/>	Check if the degree of protection of the enclosure is at least IP54 . See paragraph 9.5.
<input type="checkbox"/>	Check if the recommendations on EMC for cables have been followed.
<input type="checkbox"/>	Check if the system has been designed in such a way that enabling of the drive through STO inputs will not lead to an unexpected start of the drive.
<input type="checkbox"/>	Check if only approved units and parts have been used.
<input type="checkbox"/>	Set up a routine to ensure that the functionality of the STO function is being checked at regular intervals.

Table 33. Checklist for the commissioning of STO.

9.7 PARAMETERS AND FAULT TRACING



There are no parameters for the STO function itself.

	Before testing the STO function, make sure that the checklist (Table 33) is inspected and completed.
	When STO function awakes, the drive always generates a fault ("F30") and the motor stops by coasting.
	In the application the STO state can be indicated using a digital output.

To re-enable the motor operation, after the STO state, it is necessary to perform the following steps:

- Release the switch or the external device ("F30" is displayed even after this has been released).
- Reset the fault (through a digital input or from the keypad).
- It is possible that a new start command is required for the restart (depending on the application and your further setting).

9.8 MAINTENANCE AND DIAGNOSTICS

	If any service or repair is to be conducted on the drive installed, please inspect the checklist given in Table 33
	During maintenance breaks, or in case of service/repair, ALWAYS make sure that the STO function is available and fully functional by testing it.

The STO function or the STO input/output terminals do not need any maintenance.

The following table shows faults that may be generated by the software that monitors the hardware related to the STO safety function. If you detect any failure in safety functions, including STO, contact your local Vacon supplier.

Fault Code	Fault	Cause	Correction
30	STO fault	STO inputs in a different state or both de-energized	Check cabling

Table 34. Fault related to the STO function.

VACON[®]

DRIVEN BY DRIVES

Find your nearest Vacon office
on the Internet at:

www.vacon.com



Manual authoring:
documentation@vacon.com

Vacon Plc.
Runsorintie 7
65380 Vaasa
Finland

Subject to change without prior notice
© 2012 Vacon Plc.

Document ID:



Order code:



Rev. E