

Operating Guide

VLT® Multiaxis Servo Drive MSD 510 System



Contents

1	Introduction	14
1.1	Purpose of the Operating Guide	14
1.2	Additional Resources	14
1.3	Copyright	14
1.4	Approvals and Certifications	15
1.5	Areas of Application	16
1.6	Software	16
1.7	Terminology	17
2	Safety	18
2.1	Safety Symbols	18
2.2	Safety Instructions and Precautions	18
2.2.1	Operational Safety	19
2.3	Important Safety Warnings	19
2.4	Qualified Personnel	21
2.5	Due Diligence	21
2.6	Intended Use	21
2.6.1	Prohibited Application Areas	22
2.7	Foreseeable Misuse	22
2.8	Service and Support	22
3	System Description	23
3.1	Overview of the VLT® Multiaxis Servo Drive System MSD 510	23
3.1.1	Application Examples	24
3.1.2	Maximum Number of Modules	25
3.2	Power Supply Module PSM 510	25
3.2.1	Overview	25
3.2.2	Connectors on the Top of PSM 510	27
3.2.3	Connectors on the Bottom of PSM 510	27
3.3	Servo Drive Module SDM 511/SDM 512	27
3.3.1	Overview	27
3.3.2	SDM 511/SDM 512 Types	28
3.3.3	Components	29
3.3.3.1	Cooling	29
3.3.4	Connectors on SDM 511	29
3.3.4.1	Connectors on the Top of SDM 511	30
3.3.4.2	Connectors on the Bottom of SDM 511	30
3.3.5	Connectors on SDM 512	31
3.3.5.1	Connectors on the Top of SDM 512	31
3.3.5.2	Connectors on the Bottom of SDM 512	32

3.4	Decentral Access Module DAM 510	32
3.4.1	Overview	32
3.4.2	Connectors on the Top of DAM 510	33
3.4.3	Connectors on the Bottom of DAM 510	34
3.5	Auxiliary Capacitors Module ACM 510	34
3.5.1	Overview	34
3.5.2	Connectors on the Top of ACM 510	35
3.6	Expansion Module EXM 510	36
3.7	Local Control Panel (LCP)	37
3.7.1	Overview of the Local Control Panel	37
3.7.2	Layout of the Local Control Panel	37
3.7.2.1	A: Display Area	37
3.7.2.2	B: Display menu keys	40
3.7.2.3	C: Navigation keys and indicator lights (LEDs)	41
3.7.2.4	D: Operation keys and reset	41
3.8	Cables	42
3.8.1	Hybrid Cable	42
3.8.2	Ethernet Cable	42
3.8.3	LCP Cable	43
3.9	Cable Layout and Routing	43
3.9.1	Maximum Cable Lengths	43
3.9.2	Wiring of Output Filter	44
3.9.3	Standard Cabling Concept for 2 Decentral Access Modules (DAM 510)	44
3.10	Software	44
3.11	Fieldbus	45
3.11.1	EtherCAT®	45
3.11.2	Ethernet POWERLINK®	47
3.11.3	PROFINET®	47
4	Mechanical Installation	48
4.1	Items Supplied	48
4.2	Transport	48
4.3	Inspection on Receipt	48
4.4	Safety Measures during Installation	48
4.5	Installation Environment	49
4.5.1	System Components	49
4.6	Preparation for Installation	49
4.6.1	System Modules	49
4.6.2	Drilling Templates	50
4.7	Installation Procedure	50
4.7.1	Space Requirements for System Modules	50
4.7.2	Installation Aids and Tools Required	52

4.7.3	Fitting Instructions for System Modules	52
5	Electrical Installation	57
5.1	Warnings for Electrical Installation	57
5.2	Electrical Environmental Conditions	57
5.3	Grounding	58
5.3.1	Grounding for Electrical Safety	58
5.3.2	Grounding for EMC-Compliant Installation	60
5.4	Mains Supply Requirements	61
5.4.1	Fuses	61
5.4.2	Circuit Breakers	62
5.5	Auxiliary Supply Requirements	62
5.5.1	Fuses	62
5.6	Safety Supply Requirements	62
5.7	UL Requirements	63
5.8	Connecting the Servo Drive Module SDM 511/SDM 512	64
5.8.1	Connecting the Motor Cable	64
5.8.2	Connecting the Brake/Thermistor Cable	66
5.8.3	Connecting the Cables on the Top of the Servo Drive Modules SDM 511/SDM 512	67
5.9	Connecting the Power Supply Module PSM 510	68
5.9.1	AC Line Choke	68
5.9.1.1	Connecting 1 PSM 510 to the AC Choke	68
5.9.1.2	Connecting 2 PSM 510 Modules to the AC Choke	69
5.9.1.3	Connecting 2 PSM 510 Modules to the AC Choke with System Splitting	70
5.9.2	Connecting the Cables on the Power Supply Module PSM 510	71
5.9.2.1	Connecting the Cables on the Top of the Power Supply Module PSM 510	71
5.9.2.2	Connecting the Cables on the Bottom of the Power Supply Module PSM 510	72
5.10	Connecting the Decentral Access Module (DAM 510)	73
5.10.1	Connecting the Cables on the Top of the Decentral Access Module DAM 510	73
5.10.2	Connecting the Feed-In Cable	73
5.11	Connecting the Auxiliary Capacitors Module ACM 510	75
5.12	Connecting the Expansion Module EXM 510	76
5.13	Connecting the Brake Resistor on the PSM 510	77
6	Commissioning	80
6.1	Warnings for Commissioning	80
6.2	Pre-Commissioning Checklist	80
6.3	SDM 511/SDM 512 Configuration Parameter and Drive Commissioning	80
6.3.1	Configuration Parameter Subtool	80
6.3.2	Drive Commissioning Subtool	81
6.4	EtherCAT® ID Assignment	82
6.5	Ethernet POWERLINK® ID Assignment	82

6.5.1	Overview	82
6.5.2	Single Device ID Assignment	82
6.5.2.1	Setting the Node ID Directly on a Servo Drive or on the System Modules	82
6.5.2.2	Setting the Node ID for a Single Servo Drive via the Power Supply Module (PSM 510) or Decentral Access Module (DAM 510) via the LCP	82
6.5.3	Multiple Device ID Assignment	83
6.5.3.1	Setting the Node IDs of all Servo Drives and System Modules on a Decentral Access Module (DAM 510)/ Power Supply Module (PSM 510) Line	84
6.6	PROFINET® ID Assignment	84
6.7	Power-Up Time	85
6.8	System Module Charging Time	85
6.9	Switching on the MSD 510 System	86
6.9.1	Procedure for Switching on the MSD 510 System	86
6.10	Libraries	86
6.11	Programming with Automation Studio™	87
6.11.1	Requirements for Programming with Automation Studio™	87
6.11.2	Creating an Automation Studio™ Project	87
6.11.3	Including the Servo Motion Libraries into an Automation Studio™ Project	88
6.11.4	Constants within the DDS_Drive Library	88
6.11.5	Instantiating AXIS_REF_DDS in Automation Studio™	90
6.11.6	Instantiating PSM_REF in Automation Studio™	90
6.11.7	Instantiating DAM_REF in Automation Studio™	91
6.11.8	Instantiating ACM_REF in Automation Studio™	91
6.11.9	Importing a Servo Drive into Automation Studio™	91
6.11.9.1	Version V3.0.90	92
6.11.9.2	Version V4.x	93
6.11.10	Importing PSM 510, DAM 510 and ACM 510 into Automation Studio™	93
6.11.10.1	Version V3.0.90	94
6.11.10.2	Version V4.x	95
6.11.11	I/O Configuration and I/O Mapping	96
6.11.12	Setting the PLC Cycle Time	98
6.11.13	Connecting to the PLC	99
6.12	Programming with TwinCAT®	99
6.12.1	Requirements for Programming with TwinCAT®	99
6.12.2	Creating a TwinCAT® Project	99
6.12.3	Including the TwinCAT® Library into a TwinCAT® Project	100
6.12.4	Constants within the DDS_Drive Library	101
6.12.5	Instantiating AXIS_REF_DDS in TwinCAT®	103
6.12.6	Instantiating PSM_REF in TwinCAT®	103
6.12.7	Instantiating DAM_REF in TwinCAT®	103
6.12.8	Instantiating ACM_REF in TwinCAT®	104
6.12.9	Adding a PLC Project to TwinCAT® System Manager	104
6.12.10	Importing Devices to TwinCAT®	104

6.12.11	I/O Configuration and I/O Mapping	108
6.12.12	Attaching the Input and Output Variables to the Physical Data Points	108
6.12.13	Transferring the Mappings back to the PLC Program	110
6.12.14	Setting the PLC Cycle Time in TwinCAT® PLC Control	110
6.12.15	Configuration as a TwinCAT® NC Axis	111
6.12.15.1	I/O Configuration for Servo Drives used as NC Axes	111
6.12.16	Connecting to the PLC	112
6.13	Programming Guidelines for Automation Studio™ and TwinCAT®	112
6.14	Programming with SIMOTION SCOUT®	113
6.14.1	Requirements for Programming with SIMOTION SCOUT®	113
6.14.2	Connecting to the PLC	113
6.14.3	Creating a SIMOTION SCOUT® Project	113
6.14.4	Including the Servo Motion Libraries into a SIMOTION SCOUT® Project	114
6.14.5	Importing Devices into SIMOTION SCOUT®	116
6.14.6	Assigning IP Configuration and Device Name	118
6.14.7	Creating a Sync Domain	121
6.14.8	Configuring a Topology	124
6.14.9	Defining Send Clock and Update Time	126
6.14.9.1	Configuring the Send Clock Time	126
6.14.9.2	Configuring the Update Time	127
6.14.10	Accessing Inputs and Outputs	127
6.14.11	Programming using the Danfoss VLT® Servo Motion Library	128
6.14.12	Instantiating AXIS_REF_DDS in SIMOTION SCOUT®	129
6.14.13	Instantiating PSM_REF in SIMOTION SCOUT®	129
6.14.14	Instantiating DAM_REF in SIMOTION SCOUT®	130
6.14.15	Instantiating ACM_REF in SIMOTION SCOUT®	130
6.14.16	Global Compiler Settings	131
6.14.17	Assigning Tasks	131
6.15	Programming Guidelines for SIMOTION SCOUT®	133
6.16	VLT® Servo Toolbox Software	134
6.16.1	Overview	134
6.16.2	System Requirements	134
6.16.3	Installing the VLT® Servo Toolbox Software	134
6.16.4	VLT® Servo Toolbox Communication	135
6.16.4.1	Overview	135
6.16.4.2	Firewall	135
6.16.4.3	Indirect Communication	135
6.16.4.4	Direct Communication	139
6.17	VLT® Servo Toolbox Commissioning	142
6.17.1	Step 1: Opening the Main Window	142
6.17.2	Step 2: Connecting to Network	144
6.17.3	Step 3: Scanning for Devices	145

6.18	Motion Library	145
6.18.1	Function Blocks	145
6.18.2	Simple Programming Template	146
7	Operation	147
7.1	Operating Modes	147
7.1.1	Supported Operating Modes	147
7.1.2	Motion Functions	148
7.2	Operating Status Indicators	148
7.2.1	Operating LEDs on SDM 511 and SDM 512	148
7.2.2	Operating LEDs on the PSM 510	149
7.2.3	Operating LEDs on the DAM 510	150
7.2.4	Operating LEDs on the ACM 510	152
8	Functional Safety Concept	153
8.1	Functional Description	153
8.2	Safety Precautions	153
8.3	Qualified Personnel for Working with Functional Safety	154
8.4	Applied Standards and Compliance	154
8.5	Abbreviations and Conventions	155
8.6	Installation	156
8.6.1	Protective Measures	156
8.7	Application Example	156
8.8	Commissioning Test	157
8.8.1	Commissioning Test using Libraries	157
8.8.2	Commissioning Test using PROFINET® Devices	159
8.9	Operation of the STO Function	160
8.9.1	Error Codes	160
8.9.2	Fault Reset	161
8.10	Functional Safety Characteristic Data	161
8.11	Maintenance, Security, and User Accessibility	161
9	Diagnostics	163
9.1	Faults	163
9.2	Troubleshooting	163
9.2.1	Troubleshooting for the Servo Drive Modules SDM 511/SDM 512	163
9.2.1.1	Drive not Running/Starting Slowly	163
9.2.1.2	Drive Hums and Draws High Current	164
9.2.1.3	Drive Stops Suddenly and Restart is not Possible	164
9.2.1.4	Motor Rotating in Wrong Direction	164
9.2.1.5	Motor not Generating Expected Torque	164
9.2.1.6	Drive Screaming	164
9.2.1.7	Uneven Running	165

9.2.1.8	Vibration	165
9.2.1.9	Unusual Running Noises	165
9.2.1.10	Drive Speed Drops Sharply under Load	165
9.2.1.11	Brake not Releasing	165
9.2.1.12	Holding Brake not Holding the Servo Drive	166
9.2.1.13	Delayed Brake Engagement	166
9.2.1.14	Noises when Power-Off Brake is Engaged	166
9.2.1.15	LEDs not Lighting Up	166
9.2.1.16	Drive Protection Trips Immediately	166
9.2.2	Troubleshooting for the Servo System	167
9.2.2.1	LCP Display is Dark/Not Functioning	167
9.2.2.2	Open Power Fuses or Circuit Breaker Trip	167
9.2.2.3	DC-link Voltage Too High (Error 0x3210/0x103)	168
9.2.2.4	DC-link Voltage Too Low (Error 0x3220/0x104)	168
9.2.2.5	DC-link Overcurrent (Error 0x2396/0x15C)	168
9.2.2.6	DC link Overpower (Error 0x2313/0x161)	169
9.2.2.7	PT Power Overload (Error 0x2314/0x162)	169
9.2.2.8	UAUX Overcurrent (Error 0x2391/0x125)	169
9.2.2.9	UAUX Overvoltage (Error 0x3292/0x133)	169
9.2.2.10	UAUX Undervoltage (Error 0x3294/0x135)	170
9.2.2.11	Mains Phase Loss (Error 0x3130/0x12F)	170
9.2.2.12	Grounding Fault	170
9.2.2.13	Brake Resistor Error	170
9.2.2.14	Brake Chopper Error	171
9.2.2.15	Internal Fan Error	171
9.3	Error Codes	171
9.3.1	No error (0x0000 / 0x0)	171
9.3.2	Generic err (0x1000 / 0x100)	172
9.3.3	Overcurrent on output (0x2310 / 0x101)	172
9.3.4	High current overload (0x2311 / 0x15F)	172
9.3.5	I2T current overload (0x2312 / 0x160)	172
9.3.6	High power overload (0x2313 / 0x161)	172
9.3.7	PT power overload (0x2314 / 0x162)	173
9.3.8	Short circuit (0x2320 / 0x163)	173
9.3.9	Earth leakage (0x2330 / 0x151)	173
9.3.10	AUX overcurrent (0x2391 / 0x125)	173
9.3.11	AUX user limit current (0x2393 / 0x127)	174
9.3.12	AUX user limit current warning (0x2394 / 0x128)	174
9.3.13	AUX fuse failure (0x2395 / 0x129)	174
9.3.14	DC overcurrent trip (0x2396 / 0x15C)	174
9.3.15	Output power trip (0x2397 / 0x12B)	174
9.3.16	I2T overload motor (0x239B / 0x102)	175

9.3.17	Mains phase loss (0x3130 / 0x12F)	175
9.3.18	DC link overvoltage (0x3210 / 0x103)	175
9.3.19	Overcurrent trip SW (0x3210 / 0x103)	175
9.3.20	DC link undervoltage (0x3220 / 0x104)	176
9.3.21	UDC charging error (0x3230 / 0x152)	176
9.3.22	DC Link Voltage unbalanced (0x3280 / 0x153)	176
9.3.23	UAUX high voltage (0x3291 / 0x132)	176
9.3.24	UAUX overvoltage (0x3292 / 0x133)	177
9.3.25	UAUX low voltage (0x3293 / 0x134)	177
9.3.26	UAUX undervoltage (0x3294 / 0x135)	177
9.3.27	UDC high voltage (0x3295 / 0x136)	177
9.3.28	UDC low voltage (0x3296 / 0x137)	178
9.3.29	UAUX charging error (0x3297 / 0x154)	178
9.3.30	UDC shutdown error (0x3298 / 0x165)	178
9.3.31	UAUX shutdown error (0x3299 / 0x155)	178
9.3.32	UAUX undervoltage hardware (0x329A / 0x156)	179
9.3.33	Automated fault reset failure (0x329B / 0x168)	179
9.3.34	Device overtemperature (0x4210 / 0x157)	179
9.3.35	Too low temperature (0x4220 / 0x138)	180
9.3.36	Overtemperature: Power module (0x4290 / 0x105)	180
9.3.37	Overtemperature: Control card (0x4291 / 0x106)	180
9.3.38	Overtemperature: Power card (0x4292 / 0x107)	180
9.3.39	Inrush overtemperature: DC link (0x4293 / 0x13C)	180
9.3.40	Inrush overtemperature AUX line (0x4294 / 0x13D)	181
9.3.41	Overtemperature: Motor (0x4310 / 0x108)	181
9.3.42	UAUX undervoltage (0x5112 / 0x109)	181
9.3.43	Charge switch failure voltage (0x5121 / 0x158)	181
9.3.44	EE Checksum Error (parameter missing) (0x5530 / 0x10A)	182
9.3.45	Parameter error (0x6320 / 0x10B)	182
9.3.46	Conf par ver (0x6382 / 0x15D)	182
9.3.47	Configuration parameters limits error (0x6383 / 0x164)	182
9.3.48	Power EEprom configuration error (0x6384 / 0x166)	183
9.3.49	Brake chopper failure (0x7111 / 0x141)	183
9.3.50	Brake chopper overcurrent (0x7112 / 0x167)	183
9.3.51	Brake resistor maximum power limit (0x7181 / 0x142)	183
9.3.52	Brake resistor user power limit (0x7182 / 0x143)	184
9.3.53	Brake mains voltage too high (0x7183 / 0x159)	184
9.3.54	Internal position sensor error (0x7320 / 0x10C)	184
9.3.55	External position sensor error (0x7380 / 0x10D)	185
9.3.56	Following error (0x8611 / 0x10E)	185
9.3.57	Homing error on entering homing mode (0x8693 / 0x10F)	185
9.3.58	Homing error on start homing method (0x8694 / 0x110)	185

9.3.59	Homing error distance (0x8695 / 0x111)	185
9.3.60	Mechanical brake failure (0xFF01 / 0x112)	186
9.3.61	Short circuit in mechanical brake control (0xFF02 / 0x113)	186
9.3.62	External interface power failure (0xFF0A / 0x114)	186
9.3.63	Communication interrupted (0xFF10 / 0x14F)	186
9.3.64	Fan feedback inconsistent (0xFF21 / 0x145)	187
9.3.65	Fan lifetime critical (0xFF22 / 0x15A)	187
9.3.66	Timing violation 1 (0xFF60 / 0x115)	187
9.3.67	Timing violation 2 (0xFF61 / 0x116)	187
9.3.68	Timing violation 3 (0xFF62 / 0x117)	188
9.3.69	Timing violation 4 (0xFF63 / 0x118)	188
9.3.70	Timing violation 5 (0xFF64 / 0x119)	188
9.3.71	Timing violation 6 (0xFF65 / 0x11A)	188
9.3.72	Timing violation 7 (0xFF66 / 0x168)	188
9.3.73	Timing violation 8 (0xFF67 / 0x16B)	189
9.3.74	Timing violation 9 (0xFF68 / 0x16C)	189
9.3.75	Firmware: Package description mismatch (0xFF70 / 0x11B)	189
9.3.76	Firmware: Power cycle needed (0xFF71 / 0x11C)	189
9.3.77	Firmware: Update started (0xFF72 / 0x11D)	190
9.3.78	Firmware: Update invalid (0xFF73 / 0x15B)	190
9.3.79	STO active while drive enabled (0xFF80 / 0x11E)	190
9.3.80	STO mismatch (0xFF81 / 0x11F)	190
9.3.81	P_STO error (0xFF85 / 0x120)	191
9.3.82	Guide value reversed (0xFF90 / 0x121)	191
9.3.83	Guide value implausible (0xFF91 / 0x122)	191
9.3.84	Sign of life error (0xFF95 / 0x14E)	191

10 Maintenance, Decommissioning, and Disposal **192**

10.1	Warnings	192
10.2	Maintenance Tasks	192
10.3	Inspection during Operation	192
10.3.1	System Components	192
10.4	Repair	193
10.5	System Component Replacement	194
10.5.1	Dismounting the System Components	194
10.5.2	Fitting and Commissioning the System Components	196
10.6	Cable Replacement	196
10.6.1	Overview	196
10.6.2	Feed-In Cable Replacement	197
10.6.2.1	Disconnecting the Feed-In Cable	197
10.6.2.2	Replacing the Feed-In Cable	197
10.6.2.3	Connecting the Feed-In Cable	197

10.6.3	Loop Cable Replacement	198
10.6.3.1	Disconnecting the Loop Cable	198
10.6.3.2	Replacing the Loop Cable	198
10.6.3.3	Connecting the Loop Cable	198
10.7	Fuse Replacement in Decentral Access Module (DAM 510)	198
10.8	Fan Replacement	200
10.9	Product Returns	201
10.10	Recycling	201
10.11	Disposal	201

11 Specifications 202

11.1	Nameplates	202
11.1.1	Example Nameplate on the Front of the System Modules	202
11.1.2	Example Nameplate on the Side of the System Modules	202
11.2	Power Supply Module (PSM 510)	204
11.2.1	Dimensions of PSM 510	204
11.2.2	Characteristic Data for PSM 510	204
11.3	Servo Drive Module (SDM 511/SDM 512)	205
11.3.1	Motor Overload Protection	205
11.3.2	Motor Overtemperature Protection	206
11.3.3	Dimensions	206
11.3.4	Characteristic Data SDM 511	207
11.3.5	Characteristic Data SDM 512	208
11.4	Decentral Access Module (DAM 510)	210
11.4.1	Dimensions of DAM 510	210
11.4.2	Characteristic Data for DAM 510	210
11.4.3	Hybrid Cable Protection	211
11.5	Auxiliary Capacitors Module (ACM 510)	212
11.5.1	Dimensions	212
11.5.2	Characteristic Data for ACM 510	212
11.6	Expansion Module (EXM 510)	213
11.6.1	Dimensions	213
11.6.2	Characteristic Data for EXM 510	213
11.7	Connectors on the System Modules	213
11.7.1	Backlink Connector	213
11.7.2	Brake Connectors	215
11.7.2.1	Brake Resistor Connector on PSM 510	215
11.7.2.2	Brake and Motor Temperature Sensor Connector on SDM 511/SDM 512	215
11.7.3	Ethernet Connectors	217
11.7.3.1	Ethernet Connectors on PSM 510 and ACM 510	218
11.7.3.2	Ethernet Connectors on DAM 510	218
11.7.3.3	Ethernet Connectors on SDM 511/SDM 512	219

11.7.4	I/O Connectors	219
11.7.4.1	I/O Connector on PSM 510/ACM 510	219
11.7.4.2	I/O Connector on SDM 511/SDM 512	220
11.7.5	UAUX Connector	221
11.7.5.1	24/48 V Cable Cross Sections for PSM 510	222
11.7.6	LCP Connector (M8, 6-pole)	222
11.7.7	AC Mains Connector	223
11.7.7.1	Mains Cable Cross-Sections for PSM 510	224
11.7.8	Motor Connector	224
11.7.8.1	Motor Cable Cross-Sections for SDM 511	225
11.7.8.2	Motor Cable Cross-Sections for SDM 512	225
11.7.9	Relay Connector	225
11.7.9.1	Relay Connector on PSM 510/ACM 510	226
11.7.9.2	Relay Connectors on SDM 511/SDM 512	226
11.7.10	STO Connectors	227
11.7.10.1	STO Connectors on SDM 511 and SDM 512	227
11.7.10.2	STO Connectors on PSM 510	228
11.7.10.3	STO Connectors on the DAM 510	230
11.7.11	UDC Connector	232
11.7.12	AUX Connector	232
11.7.13	Motor Feedback Connectors	233
11.7.14	External Encoder Connectors	235
11.7.15	Expansion Module Connector	236
11.8	General Specifications and Environmental Conditions for MSD 510 System	237
11.9	Storage	238

1 Introduction

1.1 Purpose of the Operating Guide

The purpose of this operating guide is to describe the VLT® Multiaxis Servo Drive MSD 510 System.

This operating guide contains information about:

- Installation
- Commissioning
- Programming
- Operation
- Troubleshooting
- Service and Maintenance

This operating guide is intended for use by qualified personnel. Read the operating guide in full to use the servo system safely and professionally, and pay particular attention to the safety instructions and general warnings.

This operating guide is an integral part of the servo system and also contains important service information. Therefore always keep this operating guide available with the servo system.

Compliance with the information in the manual is a prerequisite for:

- Trouble-free operation
- Recognition of product liability claims

Therefore, read this operating guide before working with the MSD 510 system.

1.2 Additional Resources

Table 1: Additional Resources

Manual	Description
VLT® Multiaxis Servo Drive MSD 510 System Operating Instructions	Information about the installation, commissioning, and operation of the MSD 510 servo system.
VLT® Servo Drive System ISD 510, DSD 510, MSD 510 Design Guide	Information about the setup of the MSD 510 servo system and detailed technical data.
VLT® Servo Drive System ISD 510, DSD 510, MSD 510 Programming Guide	Information about the programming of the MSD 510 servo system.




1.3 Copyright

VLT® is a Danfoss registered trademark.

1.4 Approvals and Certifications

Table 2: Approvals and Certifications

Certification	Description
IEC/EN 61800-3	Adjustable speed electrical power drive systems. Part 3: EMC requirements and specific test methods.
IEC/EN 61800-5-1	Adjustable speed electrical power drive systems. Part 5-1: Safety requirements - Electrical, thermal, and energy.
IEC/EN 61800-5-2	Adjustable speed electrical power drive systems. Part 5-2: Safety requirements - Functional.
IEC/EN 61508-1	Functional safety of electrical/electronic/programmable electronic safety-related systems. Part 1: General requirements.
IEC/EN 61508-2	Functional safety of electrical/electronic/programmable electronic safety-related systems. Part 2: Requirements for electrical/electronic/programmable electronic safety-related systems.
EN ISO 13849-1	Safety of machinery - Safety-related parts of control systems. Part 1: General principles for design.
EN ISO 13849-2	Safety of machinery - Safety-related parts of control systems. Part 2: Validation.
IEC/EN 60204-1	Safety of machinery - Electrical equipment of machines. Part 1: General requirements.
IEC/EN 62061	Safety of machinery - Functional safety of safety-related electrical, electronic, and programmable electronic control systems.
IEC/EN 61326-3-1	Electrical equipment for measurement, control, and laboratory use - EMC requirements. Part 3-1: Immunity requirements for safety-related systems and for equipment intended to perform safety-related functions (functional safety) - General industrial applications.
IEC/EN 60529	Degrees of protection provided by enclosures (IP Code).
UL 508C	UL Standard for Safety for Power Conversion Equipment. (Only applies to ISD 510 servo drive sizes 1 and 2.)

Certification	Description
UL 61800-5-1	Adjustable speed electrical power drive systems. Part 5-1: Safety requirements - Electrical, thermal, and energy. ISD 510 servo drive sizes 3 and 4:  MSD 510: 
CE	
2014/30/EU	Electromagnetic Compatibility (EMC) Directive.
2014/35/EU	Low Voltage Directive (LVD).
(2011/65/EU) amended (EU) 2015/863	Restriction of Hazardous Substances (RoHS).
2006/42/EC	Machinery Directive (MD).
EtherCAT®	Ethernet for Control Automation Technology. Ethernet-based fieldbus system.
Ethernet POWERLINK®	Ethernet-based fieldbus system.
PROFINET RT/IRT®	Ethernet-based fieldbus system.
PLCopen®	Technical specification. Function blocks for motion control (formerly Part 1 and Part 2) Version 2.0 March 17, 2011.

1.5 Areas of Application

Potential areas of application are:

- Food and beverage machines
- Packaging machines
- Pharmaceutical machines
- Applications running with a group of servo drives

1.6 Software

Updates to the firmware, VLT® Servo Toolbox software, and PLC libraries may be available. When updates are available, they can be downloaded from the danfoss.com website.

The VLT® Servo Toolbox software or the PLC libraries can be used to install the firmware on the servo drives or on the system modules.

1.7 Terminology

Table 3: Terminology

Term	Description
ACM 510	Auxiliary Capacitors Module
DAM 510	Decentral Access Module that connects the Danfoss decentral servo drives (ISD 510 and DSD 510) to the servo system via a hybrid cable.
DSD 510	Decentral Servo Drive
DSD 510 system components	Includes DSD 510 servo drives, PSM 510, DAM 510, and the optional ACM 510.
EXM 510	Extension module
Feed-in cable	Hybrid cable for connection from the DAM 510 to the 1st servo drive.
ISD 510	Integrated Servo Drive
ISD 510 system components	Includes ISD 510 servo drives, PSM 510, DAM 510, and the optional ACM 510.
LCP	Local Control Panel
Loop cable	Hybrid cable for connecting servo drives in daisy-chain format.
MSD 510	Multiaxis Servo Drive
MSD 510 system components	Includes SDM 511/SDM 512, PSM 510, DAM 510, and the optional ACM 510.
PLC	Programmable Logic Controller (external device for controlling the servo system).
PSM 510	Power Supply Module that generates a 565–680 V DC supply.
SDM 511	Servo Drive Module (single axis)
SDM 512	Servo Drive Module (double axis)
System modules	Includes PSM 510, DAM 510, and the optional ACM 510.
V_{IN} PSM	Input of PSM 510 (V AC).
V_{OUT} PSM	Output of PSM 510 (V DC).

2 Safety

2.1 Safety Symbols

The following symbols are used in this guide:

⚠ WARNING ⚠

Indicates a potentially hazardous situation that could result in death or serious injury.

⚠ CAUTION ⚠

Indicates a potentially hazardous situation that could result in minor or moderate injury. It can also be used to alert against unsafe practices.

NOTICE

Indicates important information, including situations that can result in damage to equipment or property.

2.2 Safety Instructions and Precautions

Compliance with the safety instructions and precautions is necessary at all times.

- Orderly and proper transport, storage, fitting, and installation, as well as careful operation and maintenance, are essential for the trouble-free and safe operation of the servo system and its components.
- Only suitably trained and qualified personnel may work on the MSD 510 system and its components or in its vicinity.
- Only use accessories and spare parts approved by Danfoss.
- Comply with the specified ambient conditions.
- The information in this manual about the use of available components is provided solely by way of examples of applications and suggestions.
- The plant engineer or system engineer is personally responsible for checking the suitability of the supplied components and the information provided in this manual for the specific application concerned:
 - For compliance with the safety regulations and standards relevant to the specific application.
 - For implementing the necessary measures, changes, and extensions.
- Commissioning the servo system or its components is not allowed until it has been ascertained that the machine, system, or plant in which they are installed conforms to the statutory provisions, safety regulations, and standards that apply to the application in the country of use.
- Operation is only allowed in compliance with the national EMC regulations for the application concerned.
- Compliance with the limit values specified by national regulations is the responsibility of the producer of the plant, system, or machine.
- Compliance with the specifications, connection conditions, and installation conditions in this manual is mandatory.
- The safety regulations and safety provisions of the country in which the equipment is used must be observed.
- To protect the user against electrical shock and to protect the servo system against overload, protective grounding is obligatory and must be performed in accordance with local and national regulations.

2.2.1 Operational Safety

Operational safety

- Safety-related applications are only allowed if they are explicitly and unambiguously mentioned in this manual.
- All applications that can cause hazards to people or damage to property are safety-related applications.
- The stop functions implemented in the software of the PLC do not interrupt the mains supply to the Power Supply Module (PSM 510). Therefore, they must not be used for electrical safety for the servo system.
- The servo system can be brought to a stop by a software command or a zero speed setpoint, however DC voltage remains present on the servo drives and/or mains voltage in the PSM 510. Also, when the system is stopped, it may start up again on its own if the circuitry is defective or after the elimination of a temporary overload, a problem with the supply voltage, or a problem with the system. If personal safety considerations (for example, risk of personal injury caused by contact with moving machine parts after an unintended start) make it necessary to ensure that an unintended start cannot occur, these stop functions are not sufficient. In this case, ensure that the servo system is detached from the mains network, and prevent unintended motor starting, for example by using the Safe Torque Off function.
- The servo system may start running unintentionally during parameter configuration or programming. If this poses a risk to personal safety (for example, risk of personal injury due to contact with moving machine parts), prevent unintended motor starting, for example by using the Safe Torque Off function, or by safe disconnection of the servo drives.
- In addition to the L1, L2, and L3 supply voltage inputs on the PSM 510, the servo system has other supply voltage inputs, including external auxiliary voltage. Before commencing repair work, check that all supply voltage inputs have been switched off and that the necessary discharge time for the DC-link capacitors has elapsed.

2.3 Important Safety Warnings

The following safety instructions and precautions relate to the VLT® Multiaxis Servo Drive MSD 510 system. Read the safety instructions carefully before starting to work in any way with the servo system or its components. Pay particular attention to the safety instructions in the relevant sections of this manual.

⚠ WARNING ⚠

HAZARDOUS SITUATION

If the servo drive or the bus lines are incorrectly connected, there is a risk of death, serious injury, or damage to the unit.

- Always comply with the instructions in this manual and national and local safety regulations.

⚠ WARNING ⚠

HIGH VOLTAGE

The MSD 510 system contains components that operate at high voltage when connected to the electrical supply network.

There are no indicators on the components that indicate the presence of mains supply. Incorrect installation, commissioning, or maintenance may lead to death or serious injury.

- Installation, commissioning, and maintenance may only be performed by qualified personnel.

⚠ WARNING ⚠

LEAKAGE/GROUNDING CURRENT HAZARD

Leakage/grounding currents are >3.5 mA. Improper grounding of the MSD 510 system modules may result in death or serious injury.

- For reasons of operator safety, use a certified electrical installer to ground the system correctly in accordance with the applicable local and national electrical standards and directives, and the instructions in this manual.

⚠ WARNING ⚠**DISCHARGE TIME**

The MSD 510 system contains DC-link capacitors that remain charged for some time after the mains supply is switched off at the Power Supply Module (PSM 510). Failure to wait the specified time after power has been removed before performing service or repair work could result in death or serious injury.

- To avoid electrical shock, fully disconnect the Power Supply Module (PSM 510) from the mains and wait for the capacitors to fully discharge before carrying out any maintenance or repair work on the servo system or its components.

Minimum waiting time (minutes)

15

⚠ DANGER ⚠

- Risque du choc électrique. Une tension dangereuse peut être présentée jusqu'à 15 min après avoir coupé l'alimentation.

⚠ WARNING ⚠**UNINTENDED START**

The MSD 510 system contains servo drives, the PSM 510, and DAM 510 that are connected to the electrical supply network and can start running at any time. This may be caused by a fieldbus command, a reference signal, or clearing a fault condition. Servo drives and all connected devices must be in good operating condition. A deficient operating condition may lead to death, serious injury, damage to equipment, or other material damage when the unit is connected to the electrical supply network.

- Take suitable measures to prevent unintended starts.

⚠ WARNING ⚠**UNINTENDED MOVEMENT**

Unintended movement may occur when parameter changes are carried out immediately, which may result in death, serious injury, or damage to equipment.

- When changing parameters, take suitable measures to ensure that unintended movement cannot pose any danger.

⚠ CAUTION ⚠**DANGER OF BURNS**

The surface of the servo drives can reach high temperatures of over 90°C during operation.

- Do not touch the servo drives until they have cooled down.

NOTICE

RCD COMPATIBILITY

The MSD 510 system contains components that can cause a DC current in the protective earthing conductor, which may result in malfunction in any devices connected to the system.

- Where a residual current-operated protective (RCD) or monitoring (RCM) device is used for protection in case of direct or indirect contact, use a type B RCD or RCM device on the supply side of the MSD 510 system components.

2.4 Qualified Personnel

Installation, commissioning, and maintenance may only be carried out by qualified personnel. For the purposes of this manual and the safety instructions in this manual, qualified personnel are trained personnel who are authorized to fit, install, commission, ground, and label equipment, systems, and circuits in accordance with the standards for safety technology and who are familiar with the safety concepts of automation engineering.

Additionally, the personnel must be familiar with all the instructions and safety measures described in this manual. They must have suitable safety equipment and be trained in first aid.

2.5 Due Diligence

The operator and/or fabricator must ensure that:

- The servo system and its components are used only as intended.
- The components are operated only in a perfect operational condition.
- The operating instructions are always available near the servo system in complete and readable form.
- The servo system and its components are fitted, installed, commissioned, and maintained only by adequately qualified and authorized personnel.
- These personnel are regularly instructed on all relevant matters of occupational safety and environmental protection, as well as the contents of the operating instructions and the instructions it contains.
- The product markings and identification markings applied to the components, as well as safety and warning instructions, are not removed and are always kept in a legible condition.
- The national and international regulations regarding the control of machinery and equipment, that are applicable at the place of use of the servo system, are complied with.
- The users always have all current information relevant to their interests about the servo system and its use and operation.

2.6 Intended Use

The components of the MSD 510 system are intended to be installed in machines used in industrial environments in accordance with local laws and standards.

NOTICE

- In a domestic environment, this product may cause radio interferences, in which case supplementary mitigation measures may be required.

To ensure that the product is used as intended, the following conditions must be fulfilled before use:

- Everyone who uses Danfoss products in any manner must read and understand the corresponding safety regulations and the description of the intended use.
- Do not alter hardware from its original state.
- Do not reverse-engineer software products or alter their source code.
- Do not install or operate damaged or faulty products.
- Ensure that the products are installed in conformance with the regulations mentioned in the documentation.
- Observe any specified maintenance and service intervals.
- Comply with all protective measures.
- Only fit or install the components described in this operating guide. Third-party devices and equipment may be used only in consultation with Danfoss.

2.6.1 Prohibited Application Areas

The servo system **may not** be used in the following application areas:

- Areas with potentially explosive atmospheres.
- Mobile or portable systems.
- Floating or airborne systems.
- Inhabited facilities.
- Sites where radioactive materials are present.
- Areas with extreme temperature variations or in which the maximum rated temperatures may be exceeded.
- Under water.

2.7 Forseeable Misuse

Any use not expressly approved by Danfoss constitutes misuse. This also applies to failure to comply with the specified operating conditions and applications. Danfoss assumes no liability of any sort for damage attributable to improper use.

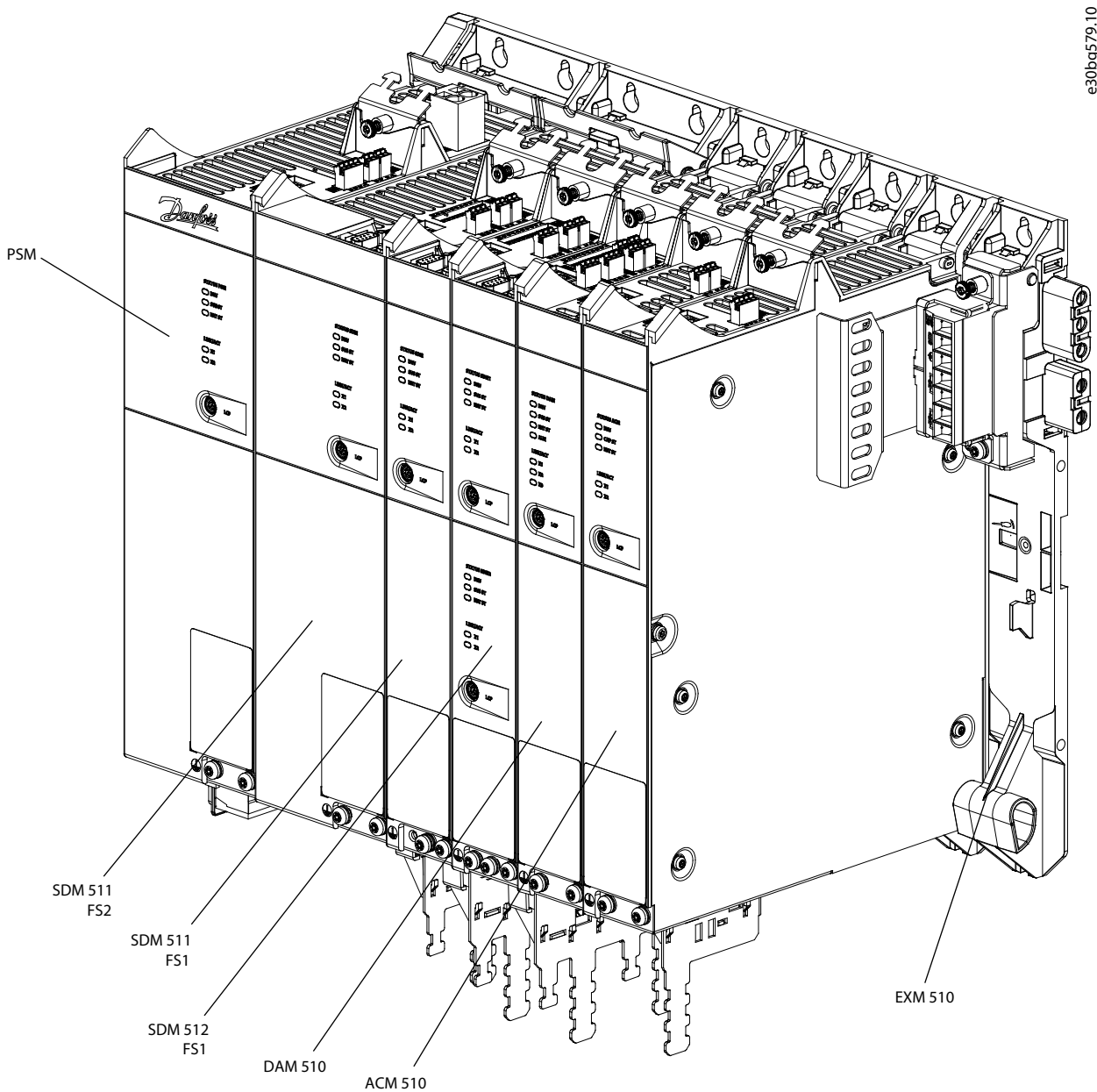
2.8 Service and Support

Contact the local service representative for service and support.

3 System Description

3.1 Overview of the VLT® Multiaxis Servo Drive System MSD 510

The VLT® Multiaxis Servo Drive System MSD 510 is a high-performance central servo motion solution. The open system supports the real-time Ethernet protocols EtherCAT®, Ethernet POWERLINK®, and PROFINET®.



e30bg579.10

Illustration 3: MSD Modules

The system comprises:

- Power Supply Module (PSM 510)
- Drive Modules:
 - Single axis Servo Drive Module (SDM 511)
 - Double axis Servo Drive Module (SDM 512)
- Decentral Access Module (DAM 510)
- Auxiliary Capacitors Module (ACM 510)
- Expansion Module (EXM 510)
- Software:
 - Firmware for the servo drive modules (SDM 511 and SDM 512)
 - Firmware for the Power Supply Module (PSM 510)
 - Firmware for the Decentral Access Module (DAM 510)
 - Firmware for the Auxiliary Capacitors Module (ACM 510)
 - VLT® Servo Toolbox
 - PLC libraries for AutomationStudio™, TwinCAT®, SIMOTION Scout, and TIA Portal.

Some modules are available in 2 enclosure (frame) sizes with widths of 50 mm (FS1) or 100 mm (FS2) depending on the power size.

Depending on the application, the system can be used exclusively in a central system, or together with Danfoss Decentral Servo Drives (ISD 510 and DSD 510) in a mixed system. Use of an AC choke is mandatory.

The system modules PSM 510, DAM 510, ACM 510, and drive modules SDM 511/SDM 512 are mounted to a backplate located in the control cabinet. DC-link and the control voltage supply are integrated in the backplate. The 'click and lock' backplate concept offers easy mounting and installation.

NOTICE

- The MSD 510 modules cannot be used in servo systems from other manufacturers. Drives from other manufacturers cannot be used in the MSD 510 system.
- Contact Danfoss for further information.

NOTICE

- The system modules have a protection rating of IP20 according to IEC/EN 60529 (except connectors, which are IP00). They are only designed for use within a control cabinet. The system modules may be damaged if exposed to fluids.

3.1.1 Application Examples

There are numerous potential areas of application for the VLT® Multiaxis Servo Drive MSD 510 system as per the following examples.

Beverage machines

- Filling
- PET blow-moulding

Food and beverage packaging machines:

- Flow wrapping
- Bag maker
- Tray sealing
- Shrink wrapping

Industrial and pharmaceutical packaging machines:

- Palletization
- Top loader
- Cartoning
- Tube filling
- Blister machine
- Liquid filling
- Solid dosing

3.1.2 Maximum Number of Modules

The maximum number of modules in the MSD 510 system is:

- PSM 510: 2 per system
- DAM 510: 3 per system (Depending on the system architecture it may be possible to add more. Contact Danfoss for further information.)
- SDM 511/SDM 512: Depends on the current rating and output power of the servo drive modules and the AUX current consumption during operation. Contact Danfoss for further information.

3.2 Power Supply Module PSM 510

3.2.1 Overview

PSM is the abbreviation for Power Supply Module. It is the power supply to the servo system. The PSM 510 supplies a DC power voltage and guarantees high-density output. The DC-link and 24/48 V DC are distributed via the backlink in the backplates to all system modules. The PSM 510 can be controlled via Ethernet-based fieldbus.

LEDs on the front of the PSM 510 show the operating status and warnings.

NOTICE

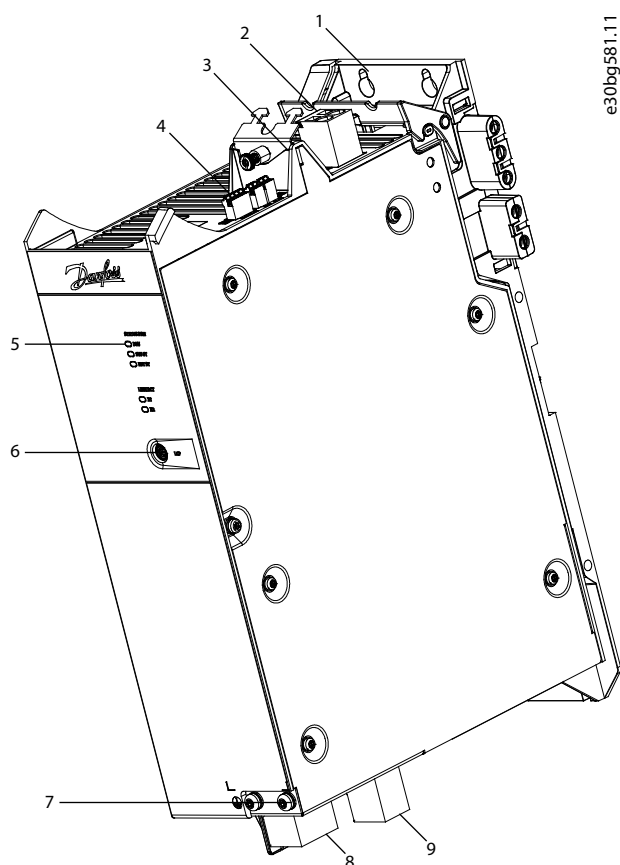
- The MSD 510 system is designed for use within a control cabinet. If the STO function is used, the cabinet must be rated at least IP54.
- The PSM 510 has a protection rating of IP20 according to IEC/EN 60529 (except connectors, which are IP00).
- The PSM 510 may be damaged if exposed to fluids.

All power cables are wired into the PSM 510, therefore at least 1 PSM 510 is required for each system.

The PSM 510 also performs service functions, such as voltage measuring, and is cooled by an internal fan.

The PSM 510 is available in 3 power sizes and delivers an output power of 10 kW, 20 kW, or 30 kW with 200% overload capacity for 3 seconds. Two PSM 510 modules can be used in parallel to achieve an output power of up to 60 kW.

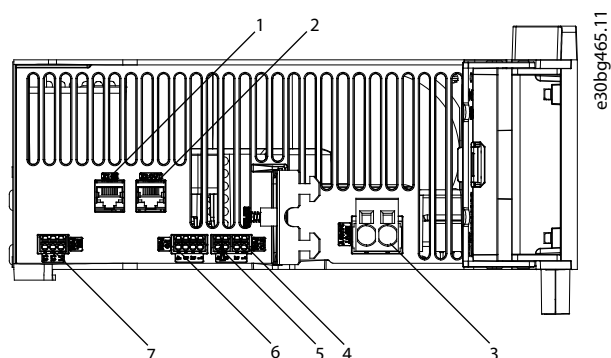
An example type code for the PSM 510 is: MSD510PSM510F2P10C0D6E20PLSXXXXXXXXXXXXX.



1 Backplate	2 24/48 V input connector
3 Cable relief and shielding	4 Connectors: I/O, STO, relay, and Ethernet
5 Operating LEDs	6 LCP connector
7 PE screw	8 AC mains supply connector
9 Internal/external brake resistor connector	

Illustration 4: PSM 510

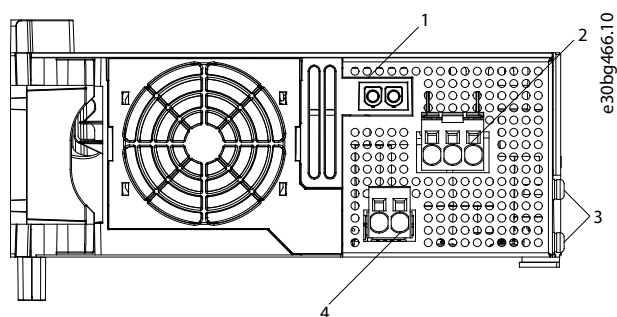
3.2.2 Connectors on the Top of PSM 510



1 Ethernet connector IN	2 Ethernet connector OUT
3 24/48 V IN connector	4 STO connector IN
5 STO connector OUT	6 I/O connector
7 Relay connector	

Illustration 5: Connectors on the Top of PSM 510

3.2.3 Connectors on the Bottom of PSM 510



1 Holder for internal brake resistor connector when not in use	2 AC mains supply connector
3 PE screws	4 Internal/external brake resistor connector

Illustration 6: Connectors on the Bottom of PSM 510

3.3 Servo Drive Module SDM 511/SDM 512

3.3.1 Overview

SDM is the abbreviation for Servo Drive Module. The SDM 511 is a single axis servo drive available in 5 power sizes and 2 enclosure sizes (FS1 is 50 mm and FS2 is 100 mm). The SDM 512 is a double axis servo drive available in 3 power sizes and 1 enclosure size (FS1, 50 mm). A double axis module operates 2 servo motors independently. Several feedback options are available. The SDMs are equipped with digital I/Os and Safe Torque Off (STO) and support several motor feedback encoders.

NOTICE

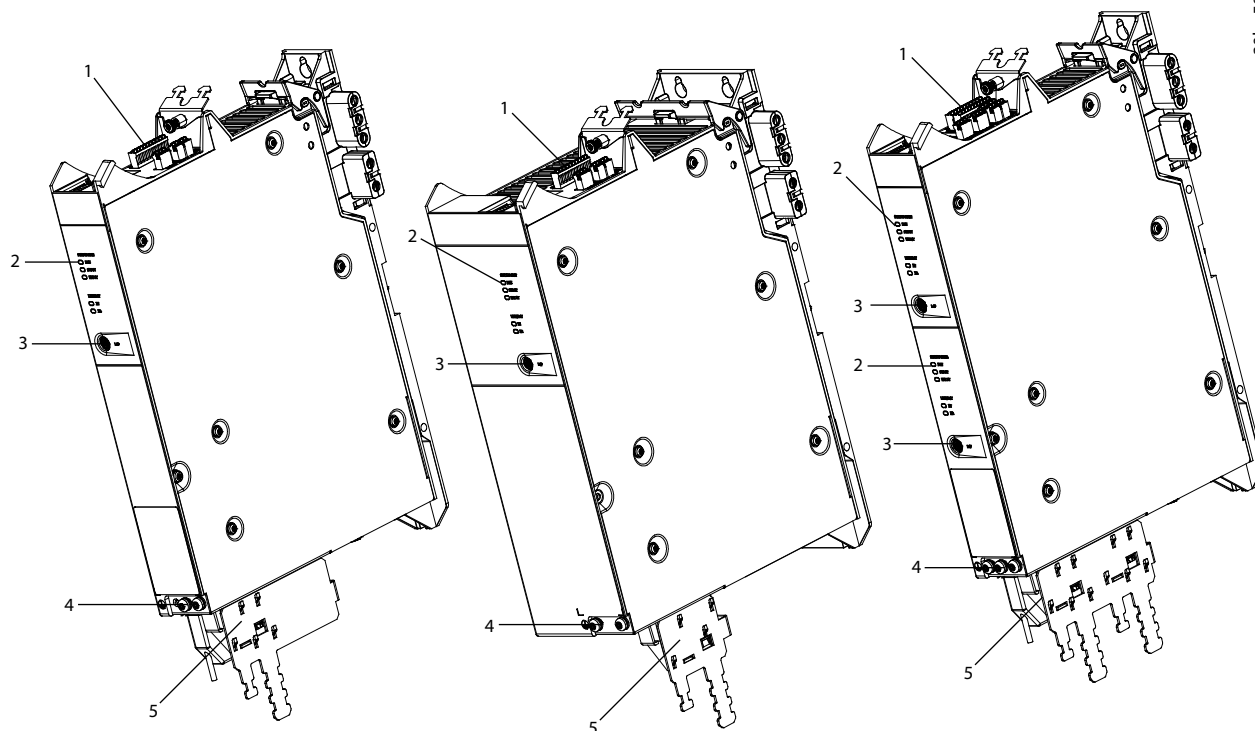
- The MSD 510 system is designed for use within a control cabinet. If the STO function is used, the cabinet must be rated at least IP54.
- The SDMs have a protection rating of IP20 according to IEC/EN 60529 (except connectors, which are IP00).
- The SDMs may be damaged if exposed to fluids.

SDM 511 Frame Size 1

SDM 511 Frame Size 2

SDM 512 Frame Size 1

e30bg580.10



1 Connectors: I/O, STO, relay, Ethernet, and external encoder	2 Operating LEDs
3 LCP Connector	4 PE screws
5 Connectors: Motor, motor feedback, thermistor, brake, shielding, and cable relief	

Illustration 7: SDM 511/SDM 512 Modules

3.3.2 SDM 511/SDM 512 Types

NOTICE

- The Drive Configurator shows the valid configuration of servo drive variants. Only valid combinations are shown. Therefore, not all variants detailed in the type code are visible.

Pos.	1	2	3	4	5	6	7	8	9	10	11	12	13	14	15	16	17	18	19	20	21	22	23	24	25	26	27	28	29	30	31	32	33	34	35	36	37	38	39	40			
Fixed	M	S	D	5	1	0	S	D	M	5	1	1	S	A	F	1	C	0	2	A	5	D	6	E	2	0	F	X	X	P	L	S	X	X	T	X	X	X	X	X			
Variant										5	1	2	D	A	F	2	C	0	0	5	A						F	R	X	E	C	S	C	0									
																	C	0	1	0	A							F	S	1	P	N											
																	C	0	2	0	A							F	M	1													
																	C	0	4	0	A							F	E	1													
																												F	E	2													
																												F	H	F													
																												F	H	D													

e30bg570.10

Illustration 8: Type Code

Table 4: Legend to Type Code

[01–06]	Product group	[22–23]	DC voltage	[32–34]	Firmware
MSD510	VLT® Multiaxis Servo Drive	D6	600 V DC-link voltage	SXX	Standard
[07–12]	Product variant	[24–26]	Drive enclosure	SC0	Customized
SDM511	MSD 510 Servo Drive Module 511	E20	IP20 ⁽¹⁾	[35]	Safety
SDM512	MSD 510 Servo Drive Module 512	[27–29]	Bus system	T	Safe torque off (STO)
[13–14]	Drive variant	FXX	Without feedback ⁽²⁾	[36–40]	Reserved
SA	Single axis servo drive	FRX	Resolver	XXXXX	Reserved
DA	Double axis servo drive	FS1	BiSS ST feedback, 17 bit		
[15–16]	Enclosure (frame) size	FM1	BiSS MT feedback, 17 bit		
F1	Enclosure (frame) size 1, 50 mm	FE1	EnDat 2.1		
F2	Enclosure (frame) size 2, 100 mm	FE2	EnDat 2.2		
[17–21]	Current rating	FHF	HIPERFACE® ⁽²⁾		
C02A5	2.5 A _{rms}	FHD	HIPERFACE® DSL ⁽²⁾		
C005A	5 A _{rms}	[30–31]	Bus system		
C010A	10 A _{rms}	PL	POWERLINK		
C020A	20 A _{rms}	EC	EtherCAT		
C040A	40 A _{rms}	PN	PROFINET		

¹ IP20 according to IEC/EN 60529 (except connectors, which are IP00)

² In preparation

3.3.3 Components

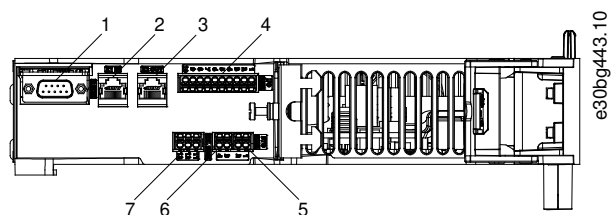
3.3.3.1 Cooling

The Servo Drive Modules SDM 511 and SDM 512 are cooled by a speed-controlled internal fan.

3.3.4 Connectors on SDM 511

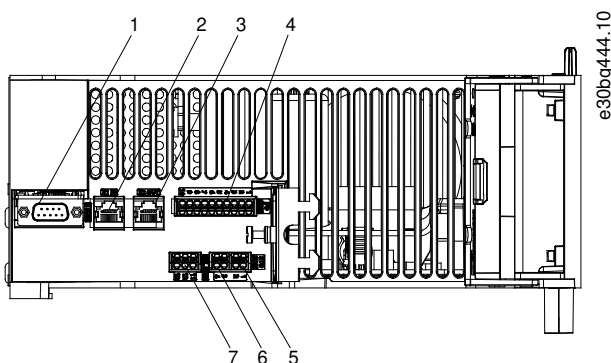
This section details all connectors on the SDM 511 in enclosure sizes 1 (FS1, 50 mm) and 2 (FS2, 100 mm).

3.3.4.1 Connectors on the Top of SDM 511



1 External encoder connector	2 Ethernet connector IN
3 Ethernet connector OUT	4 I/O connector
5 STO connector IN	6 STO connector OUT
7 Relay connector	

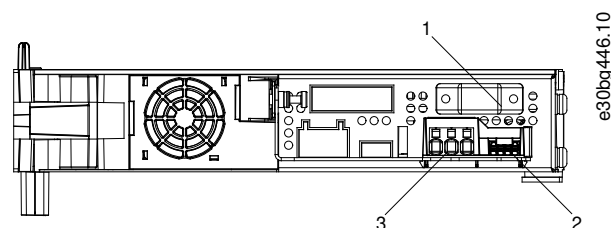
Illustration 9: SDM 511, Enclosure Size 1 (FS1)



1 External encoder connector	2 Ethernet connector IN
3 Ethernet connector OUT	4 I/O connector
5 STO connector IN	6 STO connector OUT
7 Relay connector	

Illustration 10: SDM 511, Enclosure Size 2 (FS2)

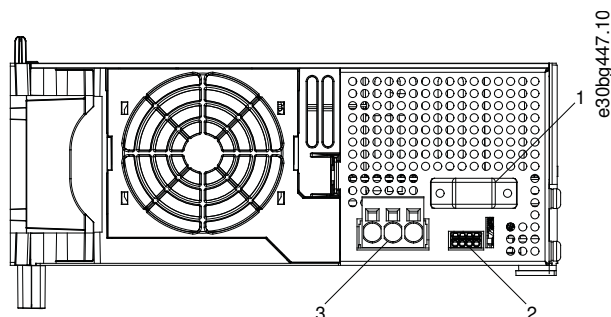
3.3.4.2 Connectors on the Bottom of SDM 511



1 Motor feedback connector	2 Motor brake and thermistor connector
----------------------------	--

3 Motor connector

Illustration 11: SDM 511, Enclosure Size 1 (FS1)



1 Motor feedback connector

2 Motor brake and thermistor connector

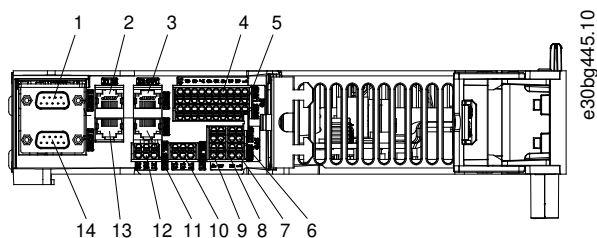
3 Motor connector

Illustration 12: SDM 511, Enclosure Size 2 (FS2)

3.3.5 Connectors on SDM 512

This section details all connectors on SDM 512 in enclosure size 1 (FS1, 50 mm).

3.3.5.1 Connectors on the Top of SDM 512



1 External encoder connector SDM1

2 Ethernet connector IN SDM1

3 Ethernet connector OUT SDM1

4 I/O connector SDM1

5 I/O connector SDM2

6 STO connector IN SDM1

7 STO connector IN SDM2

8 STO connector OUT SDM1

9 STO connector OUT SDM2

10 Relay connector SDM1

11 Ethernet connector OUT SDM2

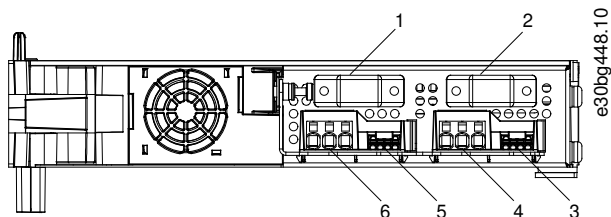
12 Relay connector SDM2

13 Ethernet connector IN SDM2

14 External encoder connector SDM2

Illustration 13: SDM 512, Enclosure Size 1 (FS1)

3.3.5.2 Connectors on the Bottom of SDM 512



1 Motor feedback connector SDM2	2 Motor feedback connector SDM1
3 Motor brake and thermistor connector SDM1	4 Motor connector SDM1
5 Motor brake and thermistor connector SDM2	6 Motor connector SDM2

Illustration 14: SDM 512, Enclosure Size 1 (FS1)

3.4 Decentral Access Module DAM 510

3.4.1 Overview

DAM is the abbreviation for Decentral Access Module. The DAM 510 is a central interface/gateway to the decentral servo system. It is used to connect the Danfoss VLT® Integrated Servo Drives ISD 510 and VLT® Decentral Servo Drives DSD 510 to the servo system via a hybrid feed-in cable.

The DAM 510 supplies the decentral servo drives with DC-link, U_{AUX} , STO, and the Ethernet-based fieldbus via the hybrid feed-in cable. The DAM 510 provides functions, such as:

- Overcurrent protection of the hybrid cable
- Overvoltage protection
- Charging circuit of the DC-link
- External encoder connection
- DC-link capacitance buffer for the decentral servo drives

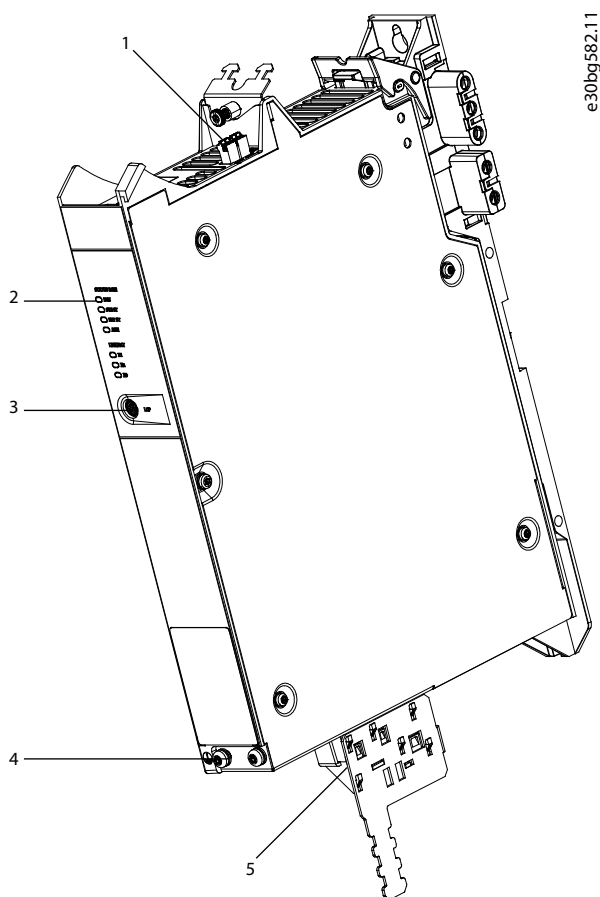
The DAM 510 can be controlled via Ethernet-based fieldbus.

LEDs on the front of the DAM 510 show the operating status and warnings.

NOTICE

- The MSD 510 system is designed for use within a control cabinet. If the STO function is used, the cabinet must be rated at least IP54.
- The DAM 510 has a protection rating of IP20 according to IEC/EN 60529 (except connectors, which are IP00).
- The DAM 510 can be damaged if exposed to fluids.

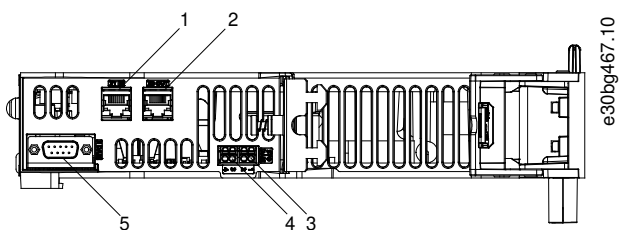
An example type code for the DAM 510 is: MSD510DAM510F1C015AD6E20PLSXXXXXXXXXXXXXX.



1 Connectors: I/O, STO, relay, and Ethernet	2 Operating LEDs
3 LCP connector	4 PE screw
5 Connectors: UDC, AUX, STO out, and Ethernet	

Illustration 15: DAM 510

3.4.2 Connectors on the Top of DAM 510

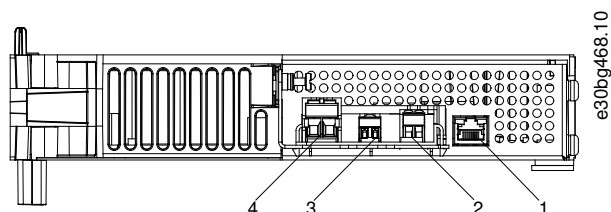


1 Ethernet connector IN	2 Ethernet connector OUT
3 STO connector IN	4 STO connector OUT

5 External encoder connector

Illustration 16: Connectors on the Top of DAM 510

3.4.3 Connectors on the Bottom of DAM 510



1 Ethernet connector

2 AUX connector

3 STO out connector

4 UDC connector

Illustration 17: Connectors on the Bottom of DAM 510

3.5 Auxiliary Capacitors Module ACM 510

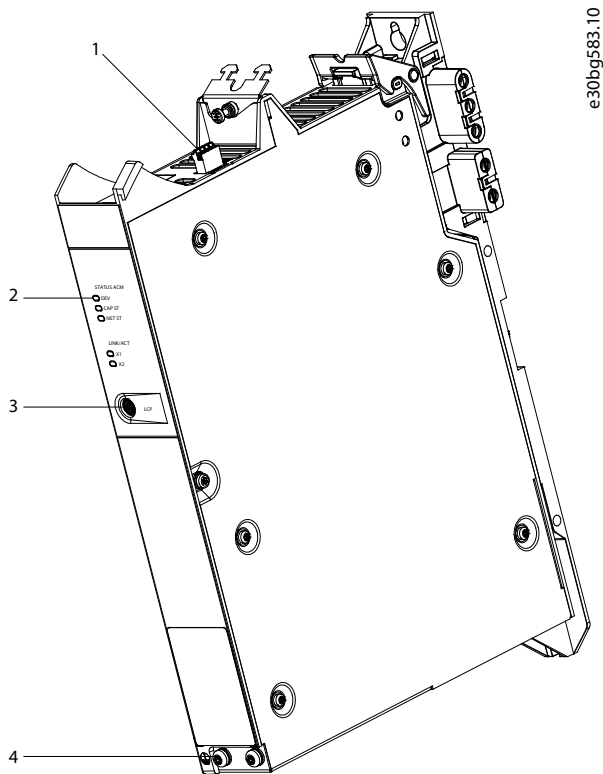
3.5.1 Overview

ACM is the abbreviation for Auxiliary Capacitors Module. The ACM 510 can be connected to the MSD 510 system to store energy, enabling a controlled machine stop in emergency situations.

NOTICE

- The MSD 510 system is designed for use within a control cabinet. If the STO function is used, the cabinet must be rated at least IP54.
- The ACM 510 has a protection rating of IP20 according to IEC/EN 60529 (except connectors, which are IP00).
- The ACM 510 can be damaged if exposed to fluids.

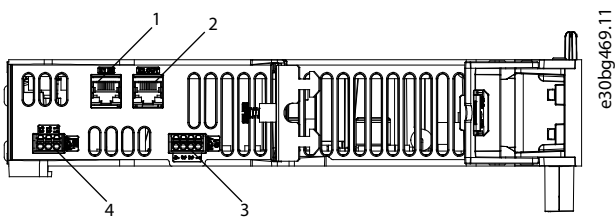
An example type code for the ACM 510 is: MSD510ACM510F1E00C8D6E20PLSXXXXXXXXXXXXXX.



1 Connectors: I/O, relay, and Ethernet	2 Operating LEDs
3 LCP connector	4 PE screw

Illustration 18: ACM 510

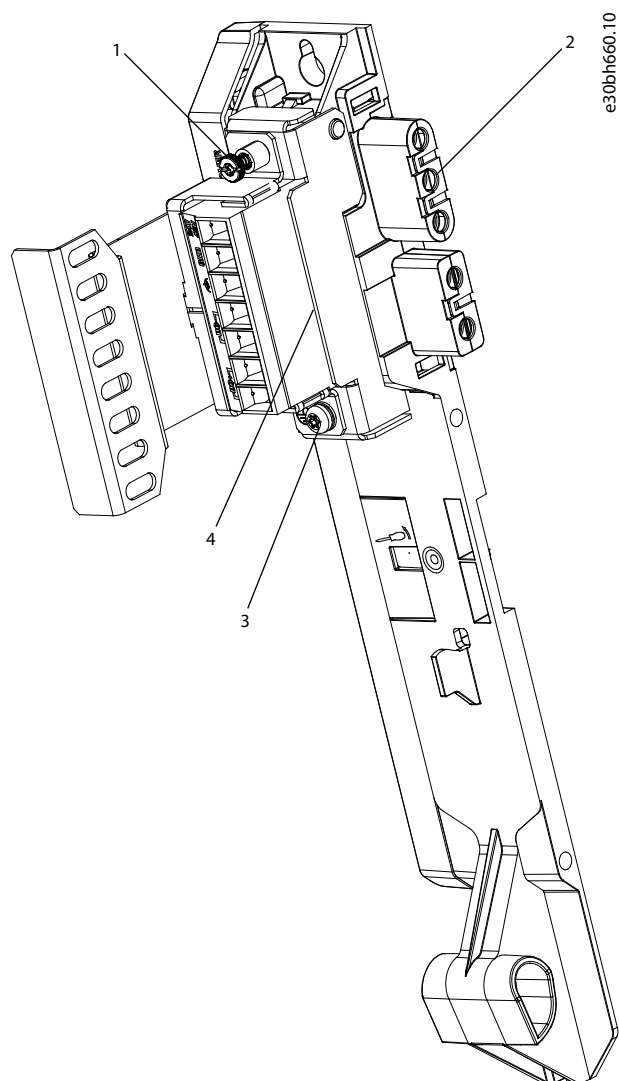
3.5.2 Connectors on the Top of ACM 510



1 Ethernet connector IN	2 Ethernet connector OUT
3 I/O connector	4 Relay connector

Illustration 19: Connectors on the Top of ACM 510

3.6 Expansion Module EXM 510



1 EMC Shielding Plate	2 Backplate
3 PE screw	4 Expansion connector

Illustration 20: EXM 510

NOTICE

- The MSD 510 system is designed for use within a control cabinet. If the STO function is used, the cabinet must be rated at least IP54.
- The EXM 510 has a protection rating of IP20 according to IEC/EN 60529 (except connectors, which are IP00).
- The EXM 510 may be damaged if exposed to fluids.

An example type code for the EXM 510 is:

MSD510EXM510F1C062AD6E20XXXXXXXXXXXXXXXXXX

3.7 Local Control Panel (LCP)

3.7.1 Overview of the Local Control Panel

The LCP is the graphical user interface for diagnostic and operating purposes. It is available as an option and can be connected to the system modules using an optional cable (M8 to LCP SUB-D extension cable).

The LCP display provides the operator with a quick view of the state of the system modules, depending on which device it is connected to. The display shows parameters and alarms/errors and can be used for commissioning and troubleshooting.

It can also be used to perform simple functions, for example activating and deactivating the output lines on the DAM 510 and opening the mechanical brake on the SDM 511/512.

The LCP can be mounted on the front of the control cabinet using a mounting set (available as an accessory) and then connected to the modules via M8 to SUB-D cables (available as an accessory). See the **VLT® Servo Drive System ISD 510, DSD 510, MSD 510 Design Guide** for accessory order numbers.

NOTICE

- Further information on the LCP functions can be found in the **VLT® Servo Drive System ISD 510, DSD 510, MSD 510 Programming Guide**.

3.7.2 Layout of the Local Control Panel

The local control panel is divided into 4 functional groups:

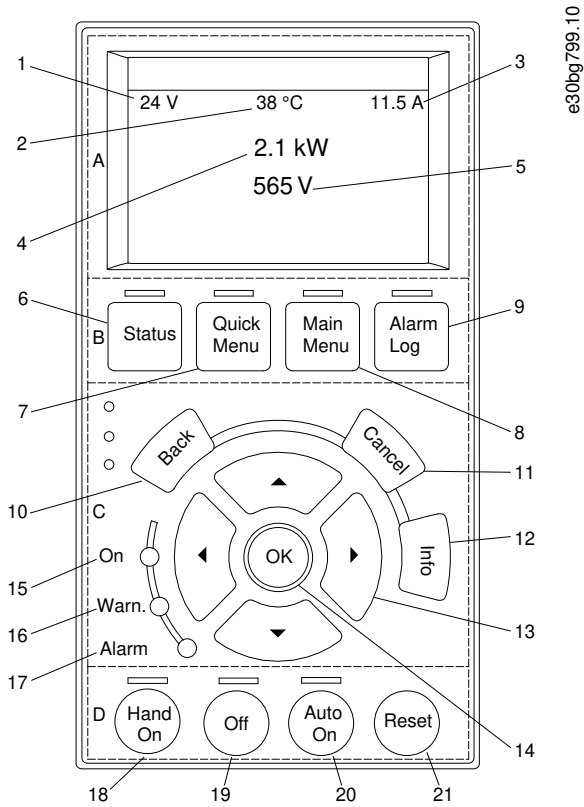
- A: Display area
- B: Display menu keys
- C: Navigation keys and indicator lights (LEDs)
- D: Operation keys and reset

To adjust the display contrast, press [Status] and the [▲]/[▼] keys.

3.7.2.1 A: Display Area

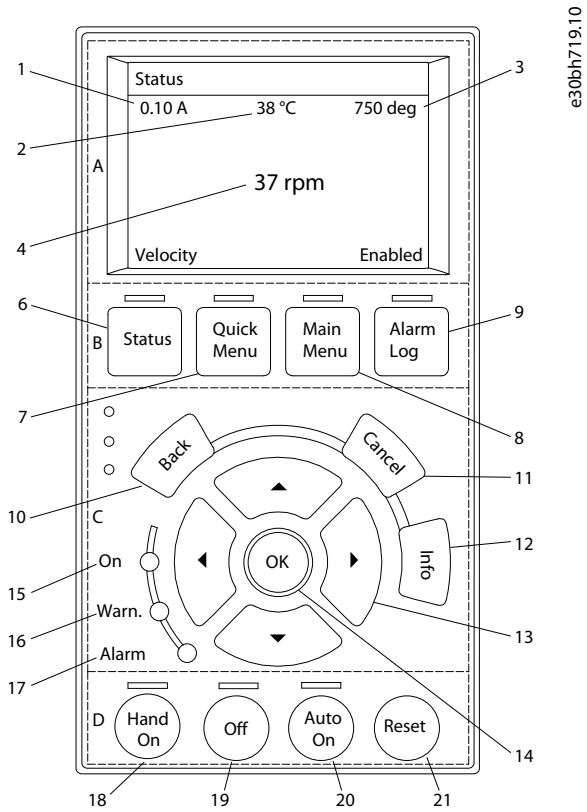
The values in the display area differ depending on which module the LCP is connected to.

The display area is activated when the module it is connected to received power from U_{AUX} .



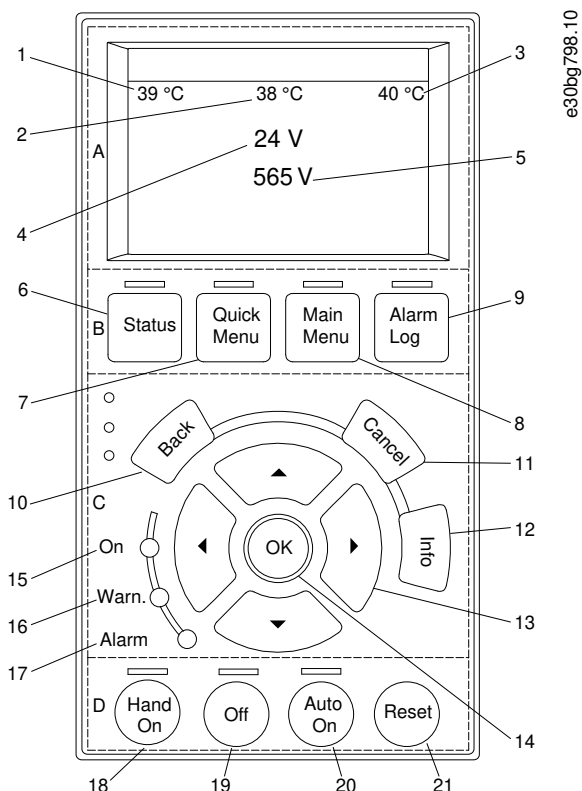
1 AUX line voltage	2 Temperature power card
3 Actual UDC (current)	4 Power consumption
5 Actual UDC (voltage)	

Illustration 21: Display Area when Connected to the Power Supply Module PSM 510 or Decentral Access Module DAM 510



1	Current actual value	2	Temperature power card
3	Position actual value	4	Actual velocity

Illustration 22: Display Area when Connected to the Servo Drive Modules SDM 511/SDM 512



1	Temperature power card	2	Temperature capacitor bank 1
3	Temperature capacitor bank 2	4	AUX line voltage
5	Actual UDC (voltage)		

Illustration 23: Display Area when Connected to the Auxiliary Capacitors Module ACM 510

3.7.2.2 B: Display menu keys

Menu keys are used for menu access for parameter set-up, toggling through status display modes during normal operation, and viewing fault log data.

Table 5: Display Menu Keys

	Key	Function
6	Status	Shows operational information.
7	Quick Menu	Allows access to parameters.
8	Main Menu	Allows access to parameters.
9	Alarm Log	Shows the last 10 alarms.

3.7.2.3 C: Navigation keys and indicator lights (LEDs)

Navigation keys are used for moving the display cursor and provide operation control in local operation. There are also 3 status LEDs in this area.

Table 6: Navigation Keys

	Key	Function
10	Back	Reverts to the previous step or list in the menu structure.
11	Cancel	Cancels the last change or command as long as the display mode is not changed.
12	Info	Press for a definition of the function being shown.
13	Navigation keys	Use the 4 navigation keys to move between items in the menu.
14	OK	Use to access parameter groups or to enable a selection.

Table 7: Indicator Lights (LEDs)

	LED	Color	Function
15	On	Green	The <i>On</i> LED activates when the module it is connected to receives power from U _{AUX} .
16	Warn	Yellow	When warning conditions are met, the yellow <i>Warn</i> LED activated and text appears in the display area identifying the problem.
17	Alarm	Red	A fault condition causes the red <i>Alarm</i> LED to flash and an alarm text is shown.

3.7.2.4 D: Operation keys and reset

The operation keys are located at the bottom of the LCP.

Table 8: Operation Keys and Reset

	Key	Function
18	Hand On	Enables the connected MSD 510 modules to be controlled via the LCP. Switching between <i>Hand On</i> and <i>Auto On</i> modes is only possible in certain states (see the VLT® Servo Drive System ISD 510, DSD 510, MSD 510 Programming Guide for further information).
19	Off	Puts the servo drive module (SDM 511/512) into state <i>Switch on Disabled</i> and the other system modules into state <i>Standby</i> . This only works in <i>Hand On</i> mode. <i>Off</i> mode enables transition from <i>Hand On</i> mode to <i>Auto On</i> mode.
20	Auto On	Puts the system in remote operational mode. In <i>Auto On</i> mode, the device is controlled by fieldbus (PLC). Switching between <i>Auto On</i> and <i>Hand On</i> modes is only possible when the servo drive module is in state <i>Switch on Disabled</i> and/or the PSM 510, DAM 510 or ACM 510 is in state <i>Standby</i> .
21	Reset	Resets the MSD 510 system module after a fault has been cleared. The reset is only possible when in <i>Hand On</i> mode.

3.8 Cables

3.8.1 Hybrid Cable

Pre-configured hybrid cables are used to connect the decentral servo drives (when used) to the Decentral Access Module (DAM 510).

There are 2 types of hybrid cables that are available with both angled and straight M23 connectors:

- Feed-in cable for connecting the 1st ISD 510/DSD 510 servo drive of a group to the connection point on the Decentral Access Module (DAM 510).
- Loop cable for connecting the ISD 510/DSD 510 servo drives in daisy-chain format in an application.

Both these cables are provided by Danfoss and are available in various lengths. See the **VLT™ Servo Drive System ISD 510, DSD 510, MSD 510 Design Guide** for further information.

Both ends of the loop cable are fitted with M23 connectors.

The feed-in cable is fitted with an M23 connector at the output end for connection to the 1st ISD 510/DSD 510 servo drive. At the input end it is pigtailed and the connectors are mounted on the corresponding terminals on the Decentral Access Module (DAM 510).

Table 9: Hybrid Cables

Cable type	Shielded/unshielded	Notes
Feed-in cable	Shielded	Hybrid cable (overall shield with additional fieldbus and safety section shield).
Loop cable		

NOTICE

- Hybrid cables are available in 2 cross-sections: 2.5 mm² (15 A) and 4 mm² (25 A). See the VLT® Servo Drive System ISD 510, DSD 510, MSD 510 Design Guide for further information.

NOTICE

Minimum bending radius

- The maximal number of bending cycles is 5 million at 7.5 x cable diameter (15.6 mm).
- Permanently flexible: 12 x cable diameter.
- Permanently installed: 5 x cable diameter.

3.8.2 Ethernet Cable

Table 10: Ethernet Cable Recommendations

	Specification
Ethernet standard	Standard Ethernet (in accordance with IEEE 802.3), 100Base-TX (Fast Ethernet)
Cable type	S/FTP (shielded foiled twisted pair), ISO (IEC 11801 or EN 50173), CAT 5e or 6

	Specification
Damping	23.2 dB (at 100 Mhz and 100 m each)
Crosstalk damping	24 dB (at 100 Mhz and 100 m each)
Return loss	10 dB (100 m each)
Surge impedance	100 Ω
Maximum cable length	100 m between switches or network devices

NOTICE

- Ground the Ethernet cable through the RJ45 connector. Do not ground it on the strain relief.

3.8.3 LCP Cable

The LCP cable is used to connect an LCP to a system module via the M8 connector on the front of each system module.

The LCP cable can be purchased from Danfoss (see the VLT® Servo Drive System ISD 510, DSD 510, MSD 510 Design Guide for further information).

3.9 Cable Layout and Routing

The MSD 510 modules are connected via the backlink connector (see [11.7.1 Backlink Connector](#)).

Connect the real-time Ethernet fieldbus to the 1st module in the MSD 510 system using a standard Ethernet cable (not provided).

Use the Ethernet loop cables provided by Danfoss to connect to the other modules in daisy-chain format.

3.9.1 Maximum Cable Lengths

Table 11: Maximum Cable Lengths

Cable type	Specification	Maximum Length
Hybrid cable	M23 Feed-in	40 m
	M23 Loop	25 m
	Fieldbus extension	Length: 2 m Maximum length to next port: 100 m
	Maximum cable length per line	100 m
Motor cable	-	Maximum length without additional output filter or choke: 30 m
		Maximum length with additional output filter or choke: 80 m
Feedback cable	-	80 m
Expansion module cable	-	5 m

3.9.2 Wiring of Output Filter

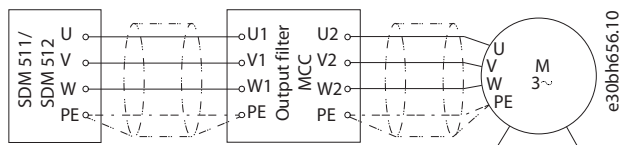
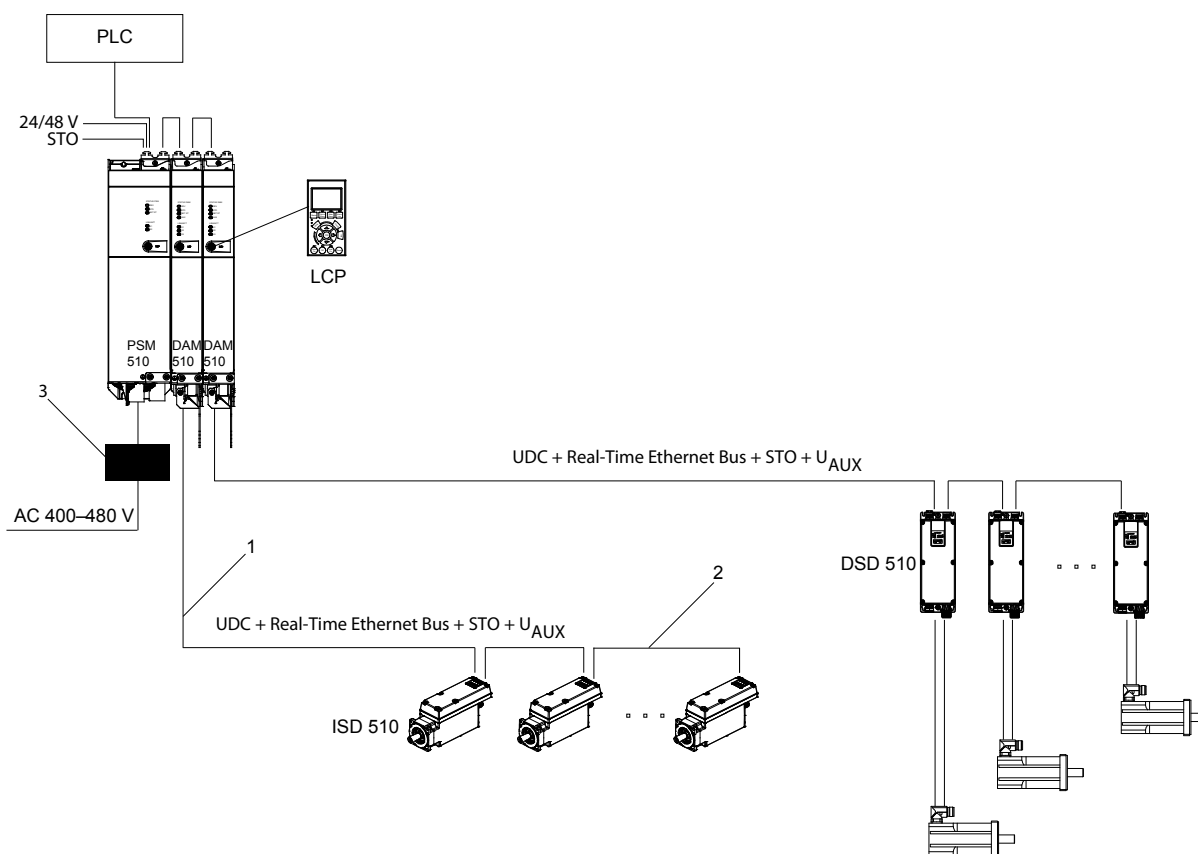


Illustration 24: Wiring Diagram of Output Filter

3.9.3 Standard Cabling Concept for 2 Decentral Access Modules (DAM 510)

In this example, a hybrid feed-in cable with quick-release connectors provides the supply voltage from the DAM 510 to the 1st ISD 510/ DSD 510 servo drive.



1 Hybrid feed-in cable	2 Hybrid loop cable
3 AC choke	

Illustration 25: Standard Cabling Concept for 2 Decentral Access Modules (DAM 510)

3.10 Software

The software for the servo system comprises:

- The firmware of the system modules that is already installed on the modules.
- A package of PLC libraries for Automation Studio™ for operating the MSD 510 devices (see [6.11.2 Creating an Automation Studio™ Project](#) for further information).
- A PLC library for TwinCAT® 2 for operating the MSD 510 devices (see [6.12.2 Creating a TwinCAT® Project](#) for further information).
- A PLC library for SIMOTION SCOUT for operating the MSD 510 devices (see [6.14.3 Creating a SIMOTION SCOUT® Project](#)).
- A PLC library for TIA Portal for operating the MSD 510 devices.
- VLT® Servo Toolbox: A Danfoss PC-based software tool for commissioning and debugging the devices.

3.11 Fieldbus

The servo system has an open system architecture realized by fast Ethernet (100BASE-T) based communication. The system supports EtherCAT®, Ethernet POWERLINK®, and PROFINET® fieldbuses. See the **VLT™ Servo Drive System ISD 510, DSD 510, MSD 510, Programming Guide** for further information.

In productive environments, communication to the devices always takes place via a PLC that acts as a master. The ISD 510/DSD 510 servo drives, the servo drive modules SDM 511/SDM 512, and the system modules can be controlled by these communication methods:

- Using the VLT® Servo Motion libraries (available for TwinCAT®, Automation Studio™ and SIMOTION SCOUT®, and TIA Portal).
- Using the NC axis functionality of TwinCAT® (ISD 510/DSD 510 and SDM 511/SDM 512 only).
- Using the CANopen® CiA DS 402 standard by reading and writing to objects.
- Using application class 1 (AC1), PROFINET® only.

The ISD 510/DSD 510 servo drives, the servo drive modules SDM 511/SDM 512, and the system modules can be operated with the following cycle times.

- EtherCAT® and Ethernet POWERLINK® fieldbuses:
 - 400 µs and multiples of it (for example, 800 µs and 1200 µs).
 - 500 µs and multiples of it (for example, 1 ms).
- PROFINET® fieldbus
 - 500 µs and multiples of it (for example, 1 ms).

When the cycle time is a multiple of 400 µs and 500 µs, the time base of 500 µs is used.

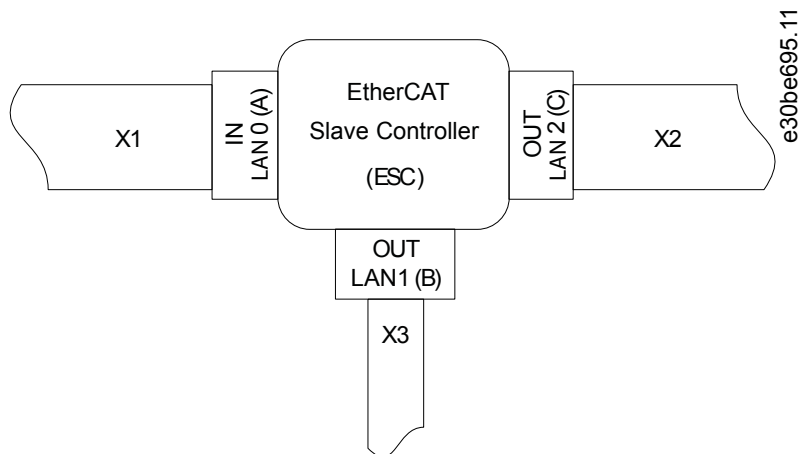
The ISD 510/DSD 510 servo drives, the servo drive modules SDM 511/SDM 512, and the system modules are certified for fieldbuses according to the corresponding rules and regulations. The servo drives conform to the CANopen® CiA DS 402 Drive Profile.

3.11.1 EtherCAT®

The ISD 510/DSD 510 servo drives, servo drive modules SDM 511/SDM 512, and the system modules support the following EtherCAT® protocols:

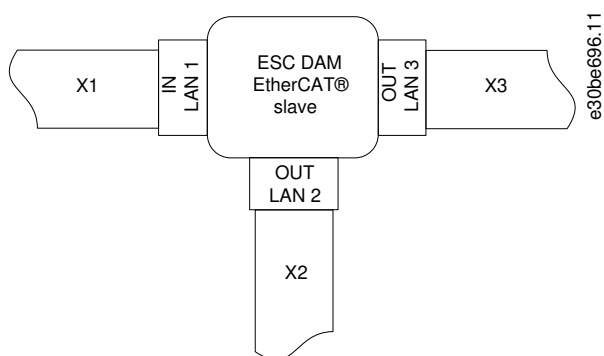
- CANopen over EtherCAT® (CoE)
- File Access over EtherCAT® (FoE)
- Ethernet over EtherCAT® (EoE)

The ISD 510/DSD 510 servo drives, servo drive modules SDM 511/SDM 512, and the system modules support distributed clocks. To compensate for the failure of a communication cable section in the system, cable redundancy is available for all fieldbuses. See the **VLT® Servo Drive System ISD 510, DSD 510, MSD 510 System Design Guide** for further information.



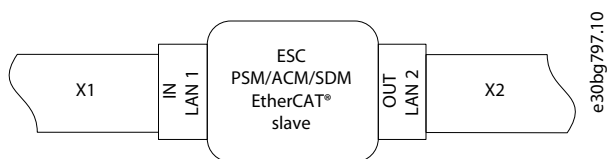
<p>X1 M23 hybrid cable connector to Decentral Access Module (DAM 510) or previous servo drive.</p>	<p>X2 M23 hybrid cable connector to the next servo drive.</p>
<p>X3 M8 Ethernet cable connector to other EtherCAT® slaves, for example EtherCAT® encoder.</p> <p>The connector is only available on the advanced servo drives.</p>	

Illustration 26: EtherCAT™ Port Assignment for the ISD 510/DSD 510 Servo Drive



<p>X1 RJ45 cable connector to the previous slave.</p>	<p>X2 RJ45 to M23 hybrid feed-in cable to the 1st ISD 510/ DSD 510 servo drive.</p>
<p>X3 RJ45 cable connector to the PLC (cable redundancy) or next slave.</p>	

Illustration 27: EtherCAT™ Port Assignment for the Decentral Access Module (DAM 510)



<p>X1 RJ45 cable connector to the PLC or previous slave.</p>	<p>X2 RJ45 cable connector to the PLC (cable redundancy) or next slave.</p>
---	--

Illustration 28: EtherCAT™ Port Assignment for the Power Supply Module (PSM 510), Servo Drive Module SDM 511/SDM 512, and Auxiliary Capacitors Module (ACM 510)

3.11.2 Ethernet POWERLINK®

The ISD 510/DSD 510 servo drives, servo drive modules SDM 511/SDM 512, and the system modules are certified according to DS 301 V1.1.0 and support the following features:

- Work as controlled node.
- Can be operated as multiplexed stations.
- Support of cross-communication.
- Ring redundancy is supported for media redundancy.

Specific ports are not assigned for Ethernet POWERLINK®.

3.11.3 PROFINET®

The ISD 510/DSD 510 servo drive, servo drive modules SDM 511/SDM 512, and system modules support PROFINET® conformance class C as per IEC 61158-5-10:2014, IEC 61158-6-10:2014, IEC 61784-2:2014, and IEC 61784-5-3:2013. All the system components (servo drives and system modules) act as I/O devices in a PROFINET® network.

The following features are supported:

- I/O-Device - Device that is being controlled by I/O-Controller
- Dynamic module configuration
- Net load class III
- Ring redundancy (MRPD) as client

PROFINET® fieldbus devices are always connected as network components via switches that are integrated in the fieldbus device. There are 2 ports on the ISD 510/DSD 510 servo drives, servo drive modules SDM 511/SDM 512, the PSM 510, and the ACM 510). There are 3 ports on the DAM 510.

4 Mechanical Installation

4.1 Items Supplied

Depending on the application, the items supplied for the MSD 510 system are:

- VLT® Power Supply Module (PSM 510)
- VLT® Single axis Servo Drive Module (SDM 511)
- VLT® Double axis Servo Drive Module (SDM 512)
- VLT® Decentral Access Module (DAM 510)
- VLT® Auxiliary Capacitors Module (ACM 510)
- VLT® Expansion Module (EXM 510)
- AC choke
- This operating guide
- Feed-in (hybrid) cable
- Loop (hybrid) cable

NOTICE

- The hybrid feed-in and loop cables are required when ISD510/DSD510 servo drives are used in the servo system.

The packaging unit depends on the number of modules delivered. Save the packaging for use in the event of product return.

4.2 Transport

- Always use means of transport and lifting gear with sufficient load capacity to transport the servo system components.
- Avoid vibration during transport.
- Avoid heavy impacts and blows.

4.3 Inspection on Receipt

Procedure

1. After receiving the delivery, immediately check whether the items supplied match the shipping documents. Danfoss does not honor claims for faults registered later.
2. Register a complaint immediately with the carrier if there is visible transport damage.
3. Register a complaint immediately with the responsible Danfoss representative if there are visible defects or the delivery is incomplete.

4.4 Safety Measures during Installation

Always observe the safety instructions in this manual during installation. Pay particular attention to ensuring that the following points are always observed:

- Installation may only be performed by qualified personnel.
- Installation must be performed with due care and attention.
- All safety regulations and protective measures must be complied with, and the environmental conditions must be observed.
- The manual is read and understood.

4.5 Installation Environment

4.5.1 System Components

The environmental conditions for the MSD 510 system components are:

- The allowable operating ambient temperature range and vibration levels must not be exceeded (see [11.8 General Specifications and Environmental Conditions for MSD 510 System](#)).
- The allowable relative humidity range is 5–93%, non-condensing.
- The minimum space required above and below the system modules is detailed in [4.7.1 Space Requirements for System Modules](#).

4.6 Preparation for Installation

4.6.1 System Modules

Context:

Make the following preparations to ensure that the servo system can be installed reliably and effectively.

Always fit the system modules in accordance with local regulations.

Procedure

1. Provide a suitable mounting arrangement for the application. This depends on the type and weight of the modules.
2. To avoid misalignment, ensure that the backplates are perfectly level.
3. To ensure sufficient cooling, pay attention to the specified minimum space requirements.
4. Ground the modules.

4.6.2 Drilling Templates

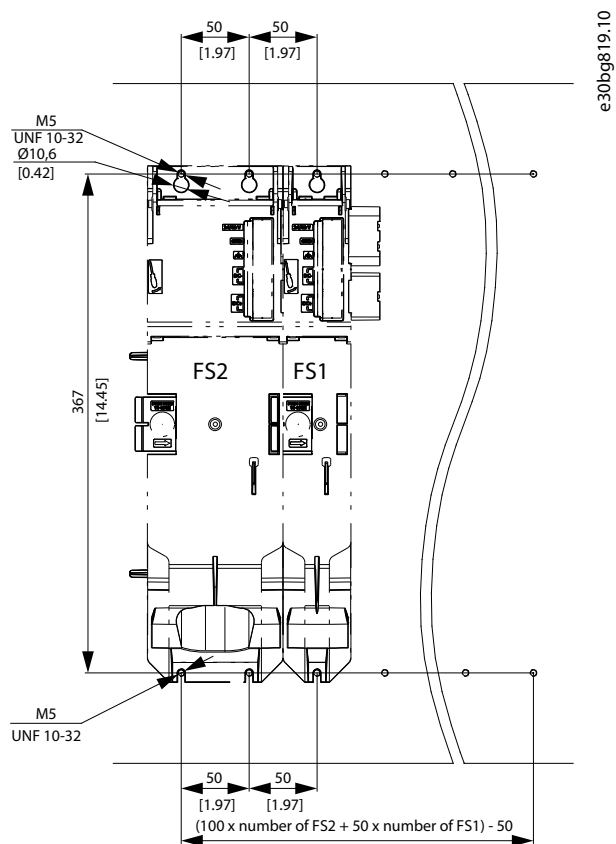


Illustration 29: Drilling templates for 50 mm and 100 mm System Modules

4.7 Installation Procedure

4.7.1 Space Requirements for System Modules

The modules can be mounted next to each other but require a minimum space at the top and bottom for cooling.

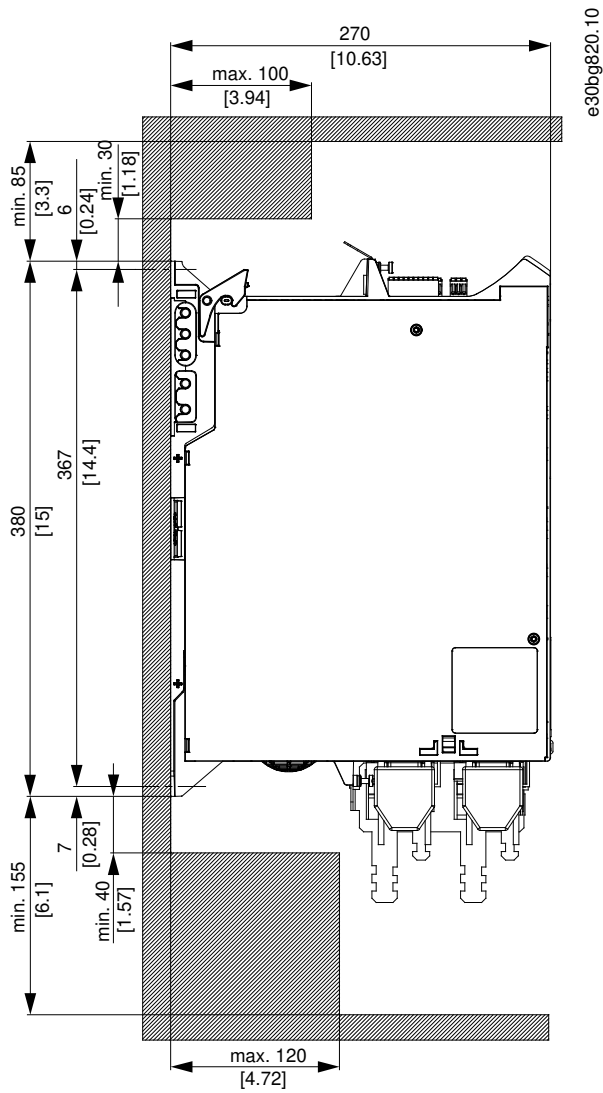


Illustration 30: Minimum Space Required at the Top and Bottom

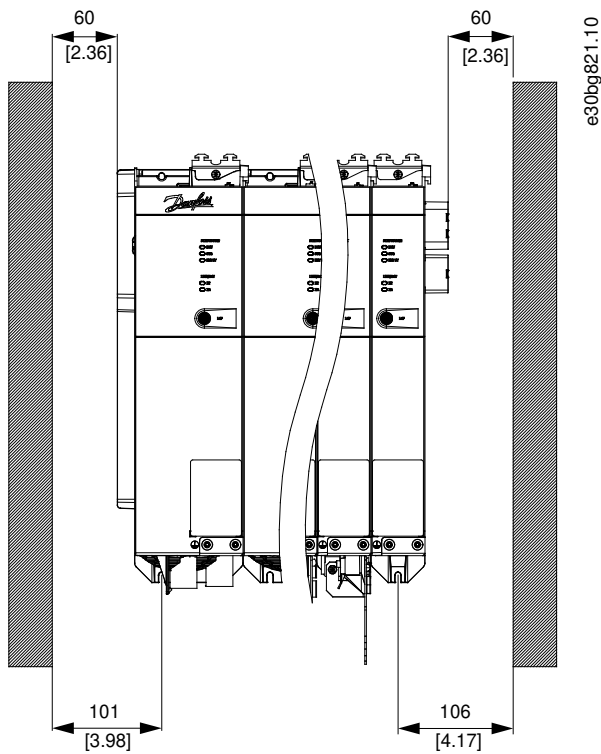


Illustration 31: Minimum Space Required at the Sides

4.7.2 Installation Aids and Tools Required

For installation of the MSD 510 system modules, the tools corresponding to the fixings screws (not included) are required.

4.7.3 Fitting Instructions for System Modules

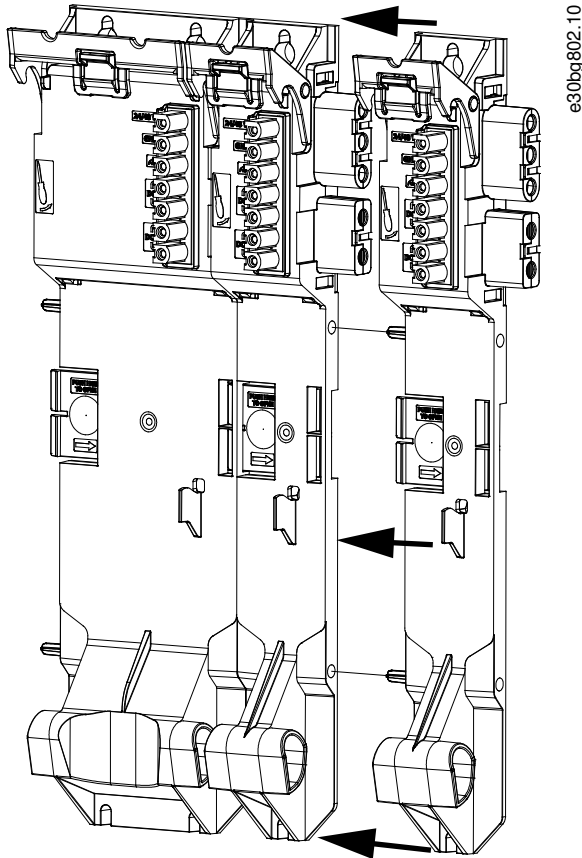
Context:

NOTICE

- Mount the MSD 510 system component with the highest output power next to the PSM 510. Mount the remaining system components in descending order of output power.

Procedure

1. Drill the holes for mounting the backplate as per the drilling template (see [4.6.2 Drilling Templates](#)).
2. Connect the backplates via the click and lock method.

**Illustration 32: Connecting the Backplates**

3. Mount the backplates to the mounting plate in the control cabinet using M5 screws with a minimum head diameter or washer diameter of 9.5 mm. The tightening torque is 3 Nm.

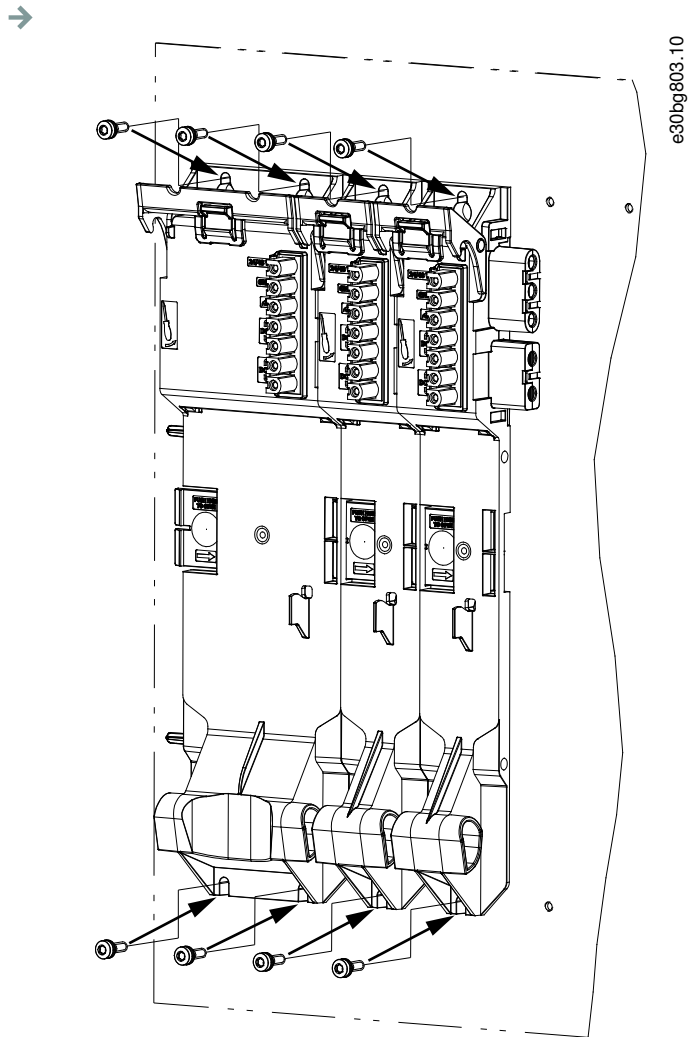


Illustration 33: Mounting the Backplates in the Control Cabinet

4. Slide the module onto the carrier at the bottom of the backplate.
5. Press the 1st module onto the backlink connector at the top of the backplate.

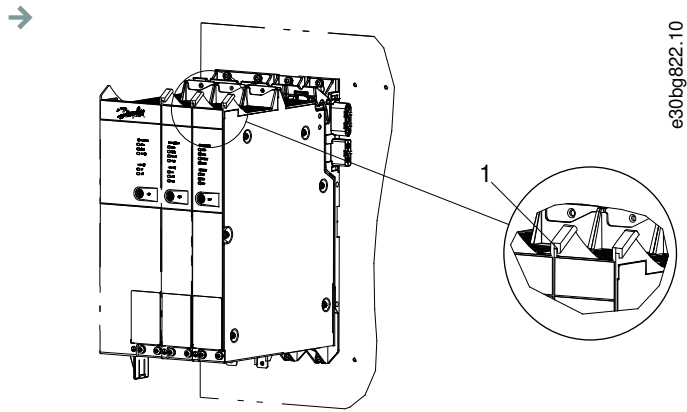


Illustration 36: Guiding Groove

5 Electrical Installation

5.1 Warnings for Electrical Installation

During electrical installation, observe the relevant local and national regulations in addition to the information in this manual.

⚠ WARNING ⚠

LEAKAGE/GROUNDING CURRENT HAZARD

Leakage/grounding currents are >3.5 mA. Improper grounding of the MSD 510 system modules may result in death or serious injury.

- For reasons of operator safety, use a certified electrical installer to ground the system correctly in accordance with the applicable local and national electrical standards and directives, and the instructions in this manual.

⚠ WARNING ⚠

HIGH VOLTAGE

The MSD 510 system contains components that operate at high voltage when connected to the electrical supply network. There are no indicators on the components that indicate the presence of mains supply. Incorrect installation, commissioning, or maintenance may lead to death or serious injury.

- Installation, commissioning, and maintenance may only be performed by qualified personnel.

⚠ WARNING ⚠

HIGH VOLTAGE

Potentially lethal voltage is present on the connectors that may lead to death or serious injury.

- Before working on the power connectors (disconnecting or connecting the cable), disconnect the PSM 510 from the mains and wait for the discharge time to elapse.

5.2 Electrical Environmental Conditions

Compliance with the following electrical environmental conditions is necessary to enable safe and effective operation of the servo system:

- Only for use in TN-S, TN-C, TN-CS, TT (not corner earthed) supply earthing system
- Prospective short-circuit current: 5 kA
- Protective class I
- Grounded 3-phase mains network, 400–480 V AC $\pm 10\%$
- 3-phase frequency 44–66 Hz
- 3-phase lines and PE line
- External supply for auxiliary voltage, 24–48 V DC (PELV)
- AC choke (see [5.9.1 AC Line Choke](#))
- Observe the national statutory provisions.
- The leakage current is >3.5 mA.

NOTICE

RCD COMPATIBILITY

The MSD 510 system contains components that can cause a DC current in the protective earthing conductor, which may result in malfunction in any devices connected to the system.

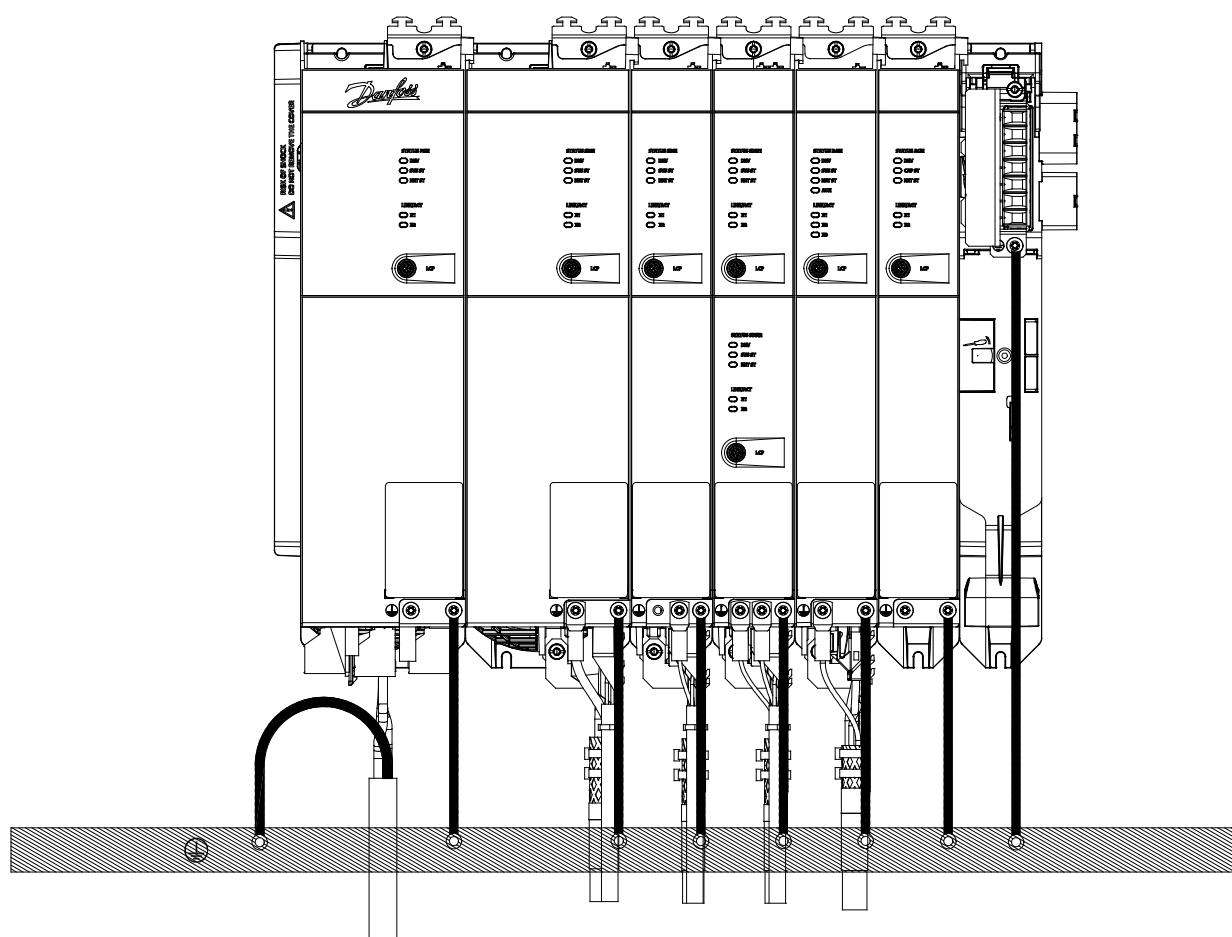
- Where a residual current-operated protective (RCD) or monitoring (RCM) device is used for protection in case of direct or indirect contact, use a type B RCD or RCM device on the supply side of the MSD 510 system components.

NOTICE

- All modules must be mounted in a control cabinet.

5.3 Grounding

5.3.1 Grounding for Electrical Safety



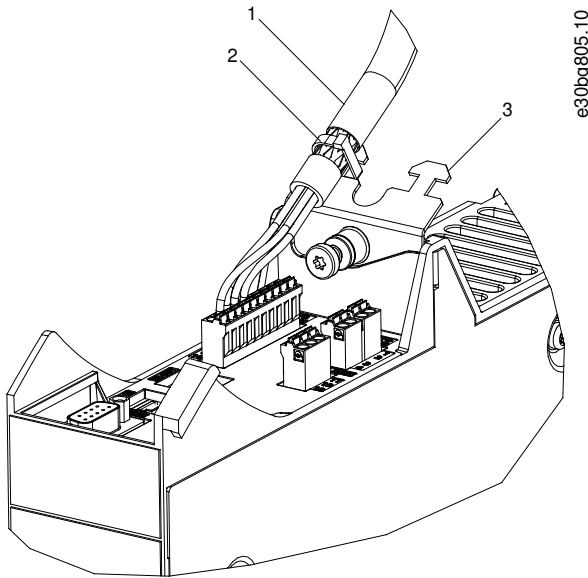
e30bh391.10

Illustration 37: Grounding for Electrical Safety

- Ground the ISD 510/DSD 510 servo drives with the PE wire of the feed-in cable. There is a dedicated PE screw on the front and another on the back of the DSD 510 servo drive.
- Ensure that the machine frame has a proper electrical connection to the flange of the servo drive. Use the front side flange surface. Ensure PE connection on that part of the machine.
- To comply with CE requirements, ensure a minimum ground wire cross-section of at least 16 mm² (minimum 70 °C, Cu). To comply with UL requirements, ensure a minimum ground wire cross-section of at least 6 AWG (minimum 60 °C, Cu). If a PSM 510 module with 10 kW is used, the cable cross-section can be reduced to:
 - 10 mm² (minimum 70 °C, Cu) to comply with CE requirements
 - 8 AWG (minimum 60 °C, Cu) to comply with UL requirements
- Do not ground the MSD 510 system components in daisy-chain format. Use the grounding method depicted in [illustration 37](#).
- Keep the ground wire connections as short as possible.
- Follow the wiring requirements in this manual.

5.3.2 Grounding for EMC-Compliant Installation

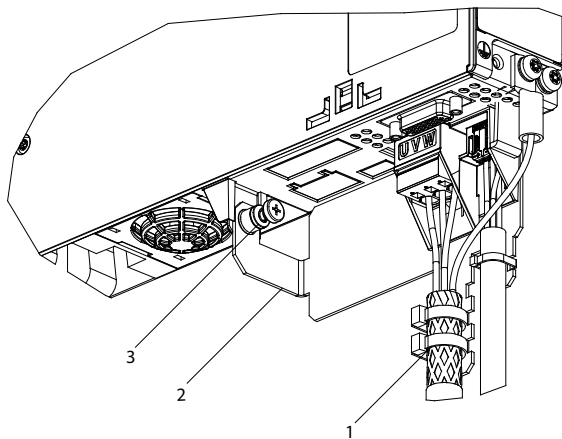
- Establish electrical contact between the cable shield and the enclosure using the I/O shielding plate on each module.



e30bg805.10

1 Cable	2 Cable tie
3 I/O shielding plate	

Illustration 38: Cable Shielding on the Top of the System Components



e30bh343.10

1 Cable tie	2 EMC metal shielding plate
3 PE screw	

Illustration 39: Cable Shielding on the Bottom of the System Components

- Use a cable with a shielding that has a high-coverage to reduce electrical interference.
- Do not use pigtails to connect the shielding. A 360° wire connection is recommended.

NOTICE

POTENTIAL EQUALIZATION

- There is a risk of electrical interference when the ground potential between the servo system and the machine is different. Install equalizing cables between them. The recommended cable cross-section is 16 mm².

NOTICE

EMC INTERFERENCE

- Use shielded cables for control wiring and separate cables for power and control wiring. Failure to isolate power and control wiring can result in unintended behavior or reduced performance.
- Ensure a minimum clearance of 200 mm between signal and power cables.
- Only cross cables at 90°.

5.4 Mains Supply Requirements

Ensure that the supply has the following properties:

- TN-S, TN-C, TN-CS, TT (not corner earthed) supply earthing system.
- Prospective short-circuit current: 5 kA.
- Protective class I.
- Grounded 3-phase mains network, 400–480 V AC ±10%.
- 3-phase lines and PE line.
- 3-phase frequency: 44–66 Hz
- Maximum input current for 1 PSM 510 at 30 kW: 55 A_{rms}

5.4.1 Fuses

NOTICE

- Use fuses on the supply side of the Power Supply Module PSM 510 that comply with CE and UL requirements (see [table 12](#)).
- When 2 PSM 510 modules are used, each PSM 510 must have its own dedicated set of fuses.

Table 12: Fuses

Model and power rating	CE Compliance (IEC 60364)	UL Compliance (NEC 2014)
	Maximum fuse type	Maximum fuse type
PSM 510 (10 kW)	gG 25 A	30 A (class T or J only)
PSM 510 (20 kW)	gG 50 A	50 A (class T or J only)
PSM 510 (30 kW)	gG 63 A	80 A (class T or J only)

5.4.2 Circuit Breakers

Use a type B or type C circuit breaker with a capacity of 1.5 times the rated current of PSM 510 to fulfill CE requirements.

NOTICE

- Circuit breakers are not allowed in installations where C-UL is required. Only UL recommended fuses are allowed.

5.5 Auxiliary Supply Requirements

Supply the PSM 510 with a power supply unit with an output of 24/48 V DC $\pm 10\%$ (PELV) and maximum 50 A (the actual current depends on the modules used). The output required depends on the system topology. The output ripple of the power supply unit must be $<250 \text{ mV}_{pp}$.

Refer to the **VLT® Servo Drive System ISD 510, DSD 510, MSD 510 Design Guide** for power rating shell diagrams.

NOTICE

- Only use supply units that conform to the PELV specification.
- Use a supply that is CE-marked according to the standards EN 61000-6-2 and EN 61000-6-4 or similar for industrial use.
- The secondary circuit must be supplied from an external isolated source.

The 24/48 V DC external supply for auxiliary voltage must be dedicated to the MSD 510 system, meaning that the supply is used exclusively for powering the PSM 510. The maximum cable length between the supply and the PSM 510 is 3 m.

5.5.1 Fuses

UL listed fuses are recommended to protect the wiring on 24–48 V DC.

Table 13: Fuses

CE Compliance (IEC 60364)	UL Compliance (NEC 2014)
Maximum fuse type	Maximum fuse type
50 A ⁽¹⁾	63 A ⁽²⁾

¹ If the maximum current is lower, a fuse with lower current rating can be used. Rating of IEC fuses: according to 100% of maximum current. Use a time delay fuse rated according to the DC voltage used.

² If the maximum current is lower, a fuse with lower current rating can be used. Rating of UL fuses: according to 125% of maximum current. Use a time delay fuse rated according to the DC voltage used.

5.6 Safety Supply Requirements

Supply the STO line with a 24 V DC supply for industrial use with the following properties:

- Output range: 24 V DC $\pm 10\%$
- Maximum current: 1 A

Use a 24 V supply unit that is CE marked for industrial use. Ensure that the supply fulfills the PELV specification and is only used for the system safety input.

A common supply for auxiliary and safety supply can be used, provided the only connection point of the 2 circuits is near to the supply. This is intended to avoid interference due to a common voltage drop. The maximum cable length between the 24 V supply unit and the servo system is 3 m.

The safety supply can be looped from PSM 510 to the other MSD 510 system components except for ACM 510, which does not have an STO connection. The cable for this is not provided. For further information, see [8.6 Installation](#).

NOTICE

- Ensure reinforced isolation between safety signals and other signals, supplies (mains supply), and exposed conductive parts.

5.7 UL Requirements

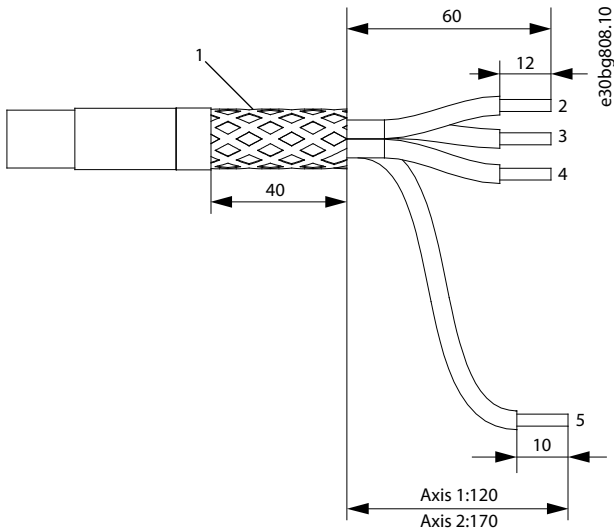
NOTICE

- Integral solid-state short-circuit protection does not provide branch circuit protection. Branch circuit protection must be provided in accordance with the National Electrical Code/Canadian Electrical Code, and any additional local codes or equivalent.
- Suitable for use on a circuit capable of delivering not more than 5000 rms symmetrical amperes, 480 V maximum when protected by maximum 80 A class J or T fuses.
- To meet the UL (Underwriters Laboratories) regulations, use a UL-approved copper cable with a minimum heat-resistance of 60 °C. Use Class 1 wire only. For PSM 510 rated 30 kW, use a maximum heat resistance of 75 °C.
- Control Circuit Overcurrent Protection is required.

5.8 Connecting the Servo Drive Module SDM 511/SDM 512

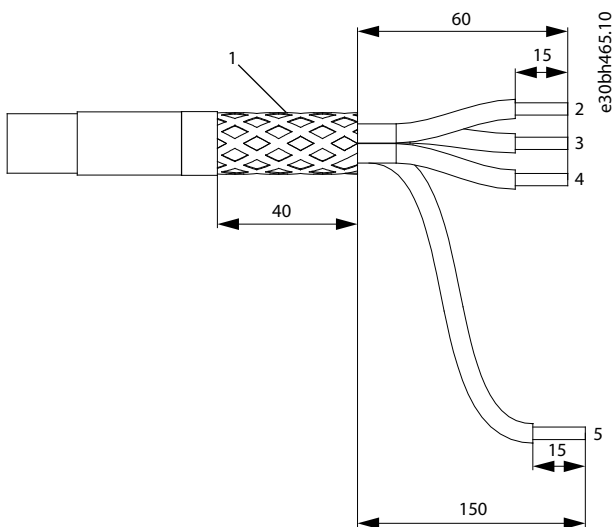
5.8.1 Connecting the Motor Cable

Context:



1 Shielded area	2 U
3 V	4 W
5 PE	

Illustration 40: Motor Cable for 50 mm Wide Servo Drive Modules



1 Shielded area	2 U
-----------------	-----

3 V	4 W
5 PE	

Illustration 41: Motor Cable for 100 mm Wide Servo Drive Modules

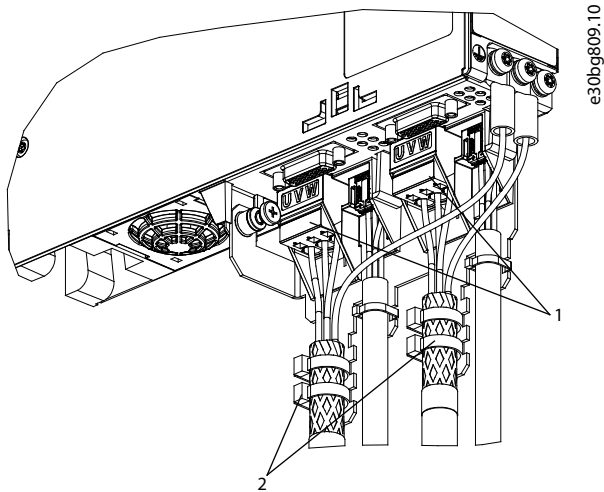


Illustration 42: Connecting the Motor Cable on 50 mm Wide Servo Drive Modules

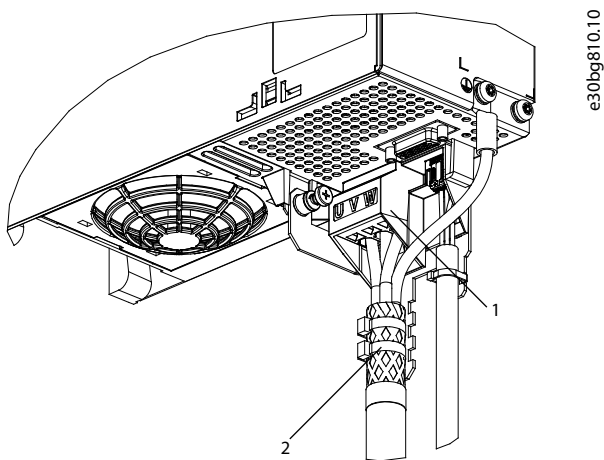


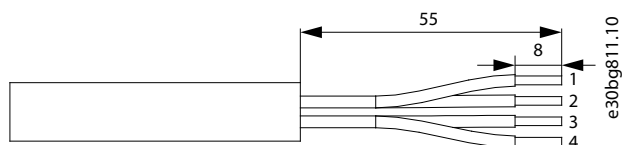
Illustration 43: Connecting the Motor Cable on 100 mm Wide Servo Drive Modules

Procedure

1. Insert the wires into the motor connector.
2. Insert the motor connector [1].
3. Secure and shield the motor cable using the cable tie [2].

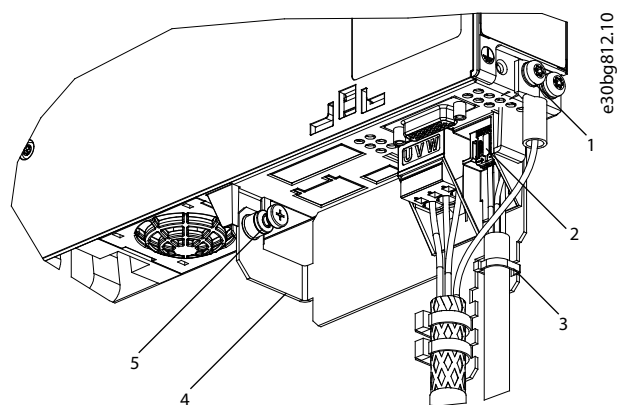
5.8.2 Connecting the Brake/Thermistor Cable

Context:



1 Motor temperature -	2 Motor temperature +
3 Motor brake -	4 Motor brake +

Illustration 44: Brake/Thermistor Cable



1 Motor PE screw	2 Brake/thermistor connector
3 Cable tie for brake/thermistor cable	4 EMC plate
5 EMC plate screw	

Illustration 45: Connecting the Brake/Thermistor Cable

NOTICE

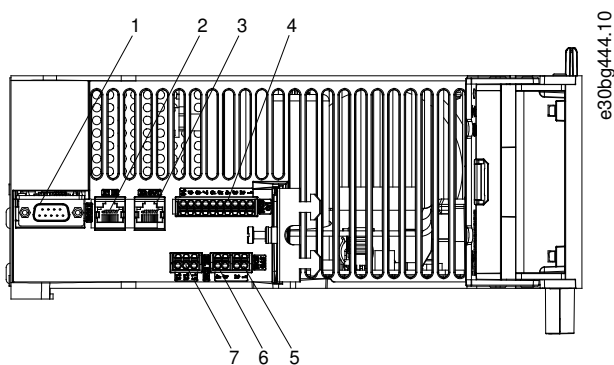
- Use a motor with reinforced insulation between the thermistor and the motor windings (tested with 4300 V DC and 8000 V_{peak} impulse).

Procedure

1. Insert the wires into the brake/thermistor connector.
2. Plug the brake/thermistor connector [2] into the servo drive module SDM 511/SDM 512.
3. Secure the brake/thermistor cable using the cable tie [3].
4. Tighten the EMC plate screw [5]. The tightening torque is 3 Nm.
5. Plug the motor feedback connector (SUB-D, 26 pin) into the servo drive module.
6. Connect the servo drive module SDM 511/SDM 512 to PE by connecting a PE wire to the PE screw on the front side of the module [1]. The tightening torque is 3 Nm.

5.8.3 Connecting the Cables on the Top of the Servo Drive Modules SDM 511/SDM 512

Context:



1 External encoder connector (E SDM 511/512)	2 Ethernet connector IN (X1 IN)
3 Ethernet connector OUT (X2 OUT)	4 I/O connector (I/O SDM 511/512)
5 STO connector IN (STO SDM 511/512)	6 STO connector OUT (STO SDM 511/512)
7 Relay connector (REL SDM 511/512)	

Illustration 46: Connectors on the Top of SDM 511/SDM 512 (Example)

Procedure

1. Connect the Ethernet cable from the output of the previous module to the input connector [2].
2. Insert the wires from the STO output of the previous module into the 24 V IN (STO input) connector.
3. Insert the 24 V IN (STO input) connector [5] into the SDM 511/SDM 512.
4. If required, insert the external encoder connector [1].
5. If I/Os are required, insert the wires into the I/O connector and insert the connector [4].
6. If a relay is required, insert the wires into the relay connector and insert the connector [7].

5.9 Connecting the Power Supply Module PSM 510

5.9.1 AC Line Choke

It is mandatory to use a 3-phase AC line choke (see [5.9.1.1 Connecting 1 PSM 510 to the AC Choke](#) and [5.9.1.2 Connecting 2 PSM 510 Modules to the AC Choke](#)).

Table 14: Line Choke Characteristics for 1 PSM 510

Model	Minimum I_{rms} [A]	U_{rms} [V]	Inductance [mH]
PSM 510 (10 kW)	20	500	Minimum: 0.47 Maximum: 1.47
PSM 510 (20 kW)	40	500	Minimum: 0.47 Maximum: 1.47
PSM 510 (30 kW)	60	500	0.47 ±10%

If 2 PSM 510 modules are installed in parallel, use an AC choke as specified in [table 15](#). See [5.9.1.2 Connecting 2 PSM 510 Modules to the AC Choke](#) for further information.

Table 15: Line Choke Characteristics for 2 PSM 510 installed in parallel

Model	Minimum I_{rms} [A]	U_{rms} [V]	Inductance [mH]
PSM 510 (2 x 30 kW)	125	500	0.24 ±10%

Danfoss recommends mounting the AC line choke close to the PSM 510.

The maximum cable length depends on the cross-section, and the required voltage and current at the DC-link.

If the AC line chokes are mounted away from the PSM 510, the maximum cable distance is 5 m.

5.9.1.1 Connecting 1 PSM 510 to the AC Choke

Connect the PSM 510 to the electric grid with the correct AC choke for the power size of the PSM 510.

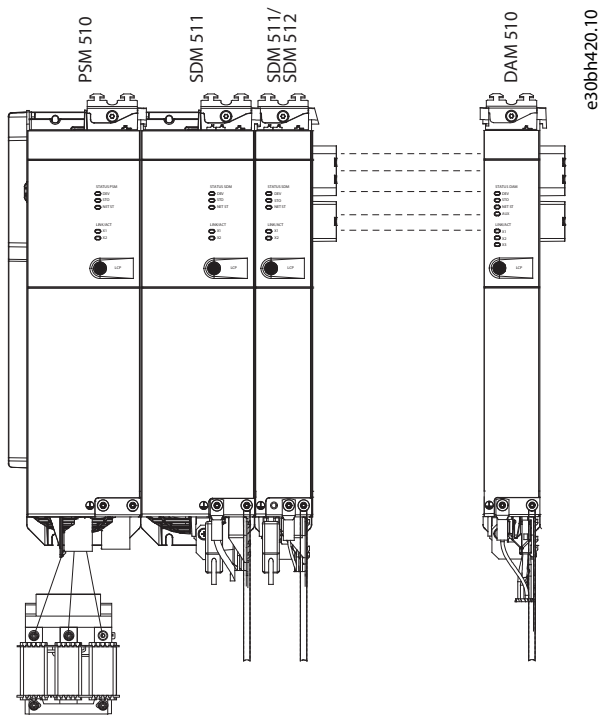


Illustration 47: Connecting 1 PSM 510 to the AC Choke

5.9.1.2 Connecting 2 PSM 510 Modules to the AC Choke

Connect the PSM 510 modules to the same AC choke as shown in [illustration 48](#).

Ensure the choke used is the correct size based on the combined power of the PSM 510 modules.

When 2 PSM 510 modules are used, the wiring between the AC line choke and each PSM 510 must be the same length within a tolerance of 0.5 m.

Connect each PSM 510 to the AC choke directly. Parallel wiring is not permitted.

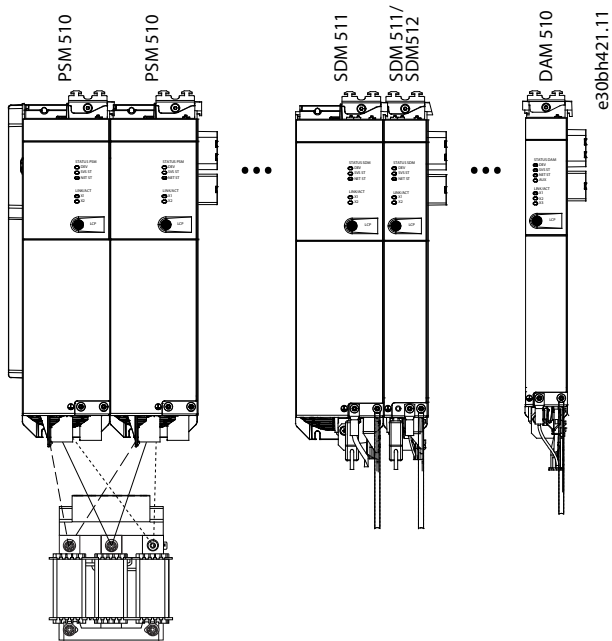


Illustration 48: Connecting 2 PSM 510 Modules to the AC Choke

5.9.1.3 Connecting 2 PSM 510 Modules to the AC Choke with System Splitting

Connect the PSM 510 modules to the same AC choke regardless of the load position (for example, before or after the system splitting) as shown in [illustration 49](#).

Ensure the choke used is the correct size based on the combined power of the PSM 510 modules.

When 2 PSM 510 modules are used, the wiring between the AC line choke and each PSM 510 must be the same length within a tolerance of 0.5 m.

Connect each PSM 510 to the AC choke directly. Parallel wiring is not permitted.

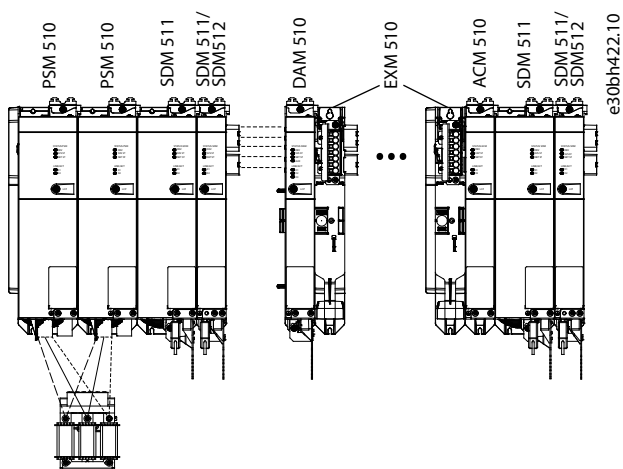


Illustration 49: Connecting 2 PSM 510 Modules to the AC Choke with System Splitting

If 2 AC chokes are used (1 per PSM 510) and both PSM 510 modules are mounted at the same side of the system splitting, the setup is permitted with derating equal to the AC choke's tolerance referred to 60 kW. For example, 10% derating is 54 kW.

If 2 AC chokes are used (1 per PSM 510) where 1 PSM 510 module is mounted before and 1 after the splitting, the loads must be balanced equally. Otherwise, the derating of both PSM 510 modules is equal to the AC choke's tolerance. For example, tolerance 10% + 10% means -20% derating.

If 2 AC chokes are used (1 per PSM 510) and 1 PSM 510 module is mounted before the splitting and 1 after the splitting and half of the loads are set before the system splitting and half are set after the system splitting, the setup is permitted with derating equal to the AC choke's tolerance referred to 60 kW. For example, 10% derating is 54 kW.

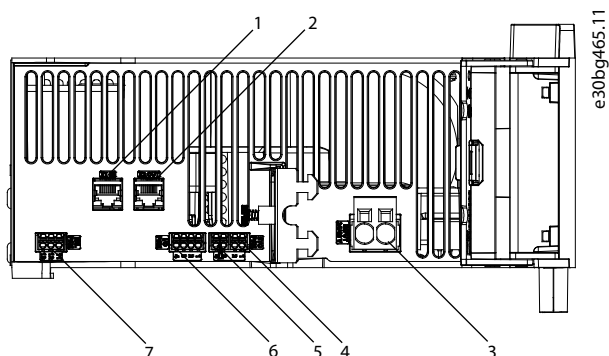
NOTICE

- Further information on the EXM 510 module and wiring can be found in [11.7.15 Expansion Module Connector](#).

5.9.2 Connecting the Cables on the Power Supply Module PSM 510

5.9.2.1 Connecting the Cables on the Top of the Power Supply Module PSM 510

Context:



1 Ethernet connector IN (X1 IN)	2 Ethernet connector OUT (X2 OUT)
3 24/48 V IN connector (INPUT 24/48 V)	4 STO connector IN (STO PSM)
5 STO connector OUT (STO PSM)	6 I/O connector (I/O PSM)
7 Relay connector (REL PSM)	

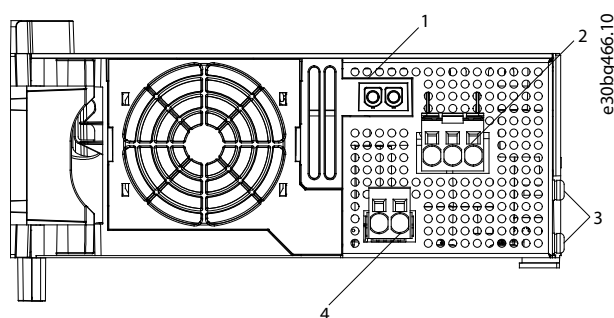
Illustration 50: Connectors on the Top of PSM 510

Procedure

1. Connect the Ethernet cable from the PLC to the Ethernet input connector [1].
2. Connect the Ethernet cable from the Ethernet output connector [2] to the next module.
3. Insert the wires into the 24/48 V IN connector.
4. Insert the 24/48 V IN connector [3].
5. Insert the wires into the STO connector IN connector.
6. Insert the STO connector IN (STO PSM) connector [4].
7. Insert the wires into the STO connector OUT connector.
8. Insert the STO connector OUT (STO PSM) connector [5].
9. If I/Os are required, insert the wires into the I/O connector and insert the connector (I/O PSM) [6].
10. If a relay is required, insert the wires into the relay connector and insert the connector (REL PSM) [7].

5.9.2.2 Connecting the Cables on the Bottom of the Power Supply Module PSM 510

Context:



1 Holder for internal brake resistor connector when not in use	2 AC mains supply connector
3 PE screws	4 Internal/external brake resistor connector

Illustration 51: Connectors on the Bottom of PSM 510

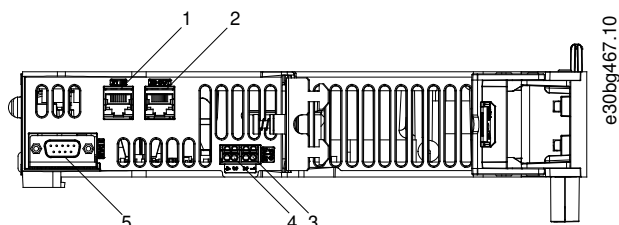
Procedure

1. Insert the wires into the AC mains supply connector.
2. Insert the AC mains supply connector [2].
3. If an external brake resistor is required:
 - A Unplug the internal brake resistor connector [4] and insert the external brake connector in its place.
 - B Plug the internal brake resistor connector to the internal brake connector holder [1].
4. Connect the PSM 510 to the PE screw on the front side [3] using a PE wire. The tightening torque is 3 Nm.

5.10 Connecting the Decentral Access Module (DAM 510)

5.10.1 Connecting the Cables on the Top of the Decentral Access Module DAM 510

Context:



1 Ethernet connector IN (X1 IN)	2 Ethernet connector OUT (X3 OUT)
3 STO connector IN (STO DAM)	4 STO connector OUT (STO DAM)
5 External encoder connector (E DAM)	

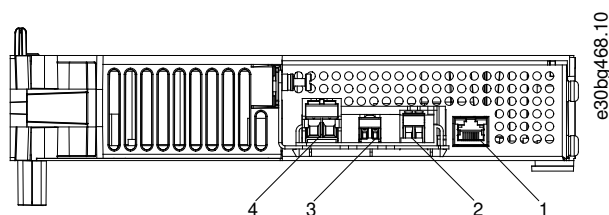
Illustration 52: Connectors on the Top of DAM 510

Procedure

1. Connect the Ethernet cable from the output of the previous module to the input connector [1].
2. Insert the wires from the STO output of the previous module into the 24 V IN (STO input) connector, see [11.7.10.3.1 STO Connectors on the Top of DAM 510](#).
3. Insert the 24 V IN (STO connector IN) connector [3] into the DAM 510.
4. If required, connect the external encoder connector [5].

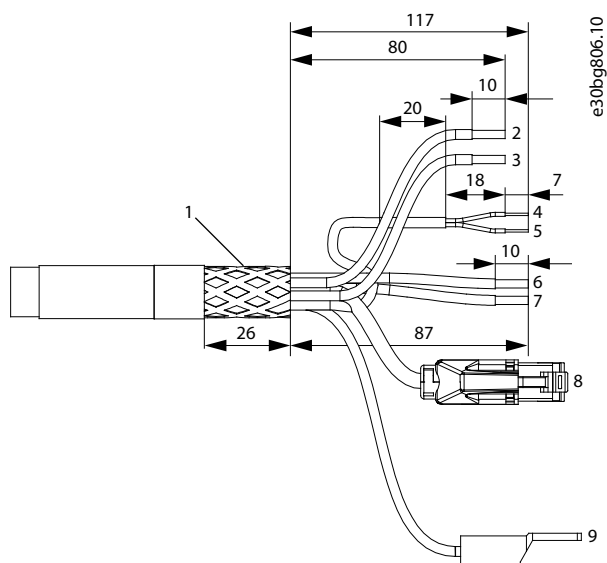
5.10.2 Connecting the Feed-In Cable

Context:



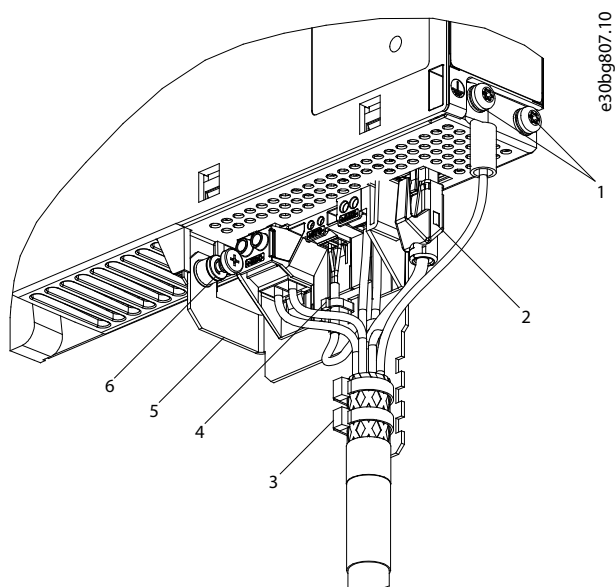
1 Ethernet connector	2 AUX connector
3 STO out connector	4 UDC connector

Illustration 53: Connectors on the Bottom of DAM 510



1 Shielded area	2 UDC+ (black, 2.5 mm ² /4 mm ²)
3 UDC- (gray, 2.5 mm ² /4 mm ²)	4 STO+ (pink, 0.5 mm ²)
5 STO- (gray, 0.5 mm ²)	6 AUX+ (red, 2.5 mm ²)
7 AUX- (blue, 2.5 mm ²)	8 Ethernet/fieldbus (green, RJ45 connector)
9 PE (yellow/green, 2.5 mm ² /4 mm ² , fork lug)	

Illustration 54: Feed-In Cable



1 Feed-in cable PE screws	2 Bus connector
---------------------------	-----------------

3 Cable tie for feed-in cable	4 Cable tie for STO cable
5 EMC plate	6 EMC plate screw

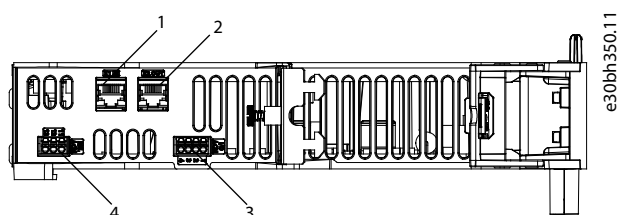
Illustration 55: Connecting the Feed-In Cable

Procedure

1. Insert the wires into the UDC, AUX, and STO connectors.
2. Secure the feed-in cable using the cable ties [3], ensuring that the shielded area is positioned exactly under the cable tie.
3. Secure the STO cable using the cable tie [4], ensuring that the shielded area is positioned exactly under the cable tie.
4. Insert the connectors on the feed-in cable into their corresponding terminal block on the DAM 510.
5. Tighten the screw on the EMC plate [6]. The tightening torque is 3 Nm.
6. Insert the RJ45 bus connector [2].
7. Connect the DAM 510 to the PE screw on the front side [1] using a PE wire. The tightening torque is 3 Nm.

5.11 Connecting the Auxiliary Capacitors Module ACM 510

Context:



1 Ethernet connector IN (X1 IN)	2 Ethernet connector OUT (X2 OUT)
3 I/O connector (I/O ACM)	4 Relay connector (REL ACM)

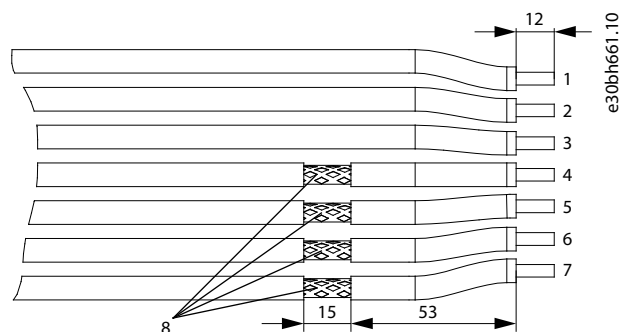
Illustration 56: Connectors on the Top of ACM 510

Procedure

1. Connect the Ethernet cable from the output of the previous system module to the input connector (X1 IN) [1].
2. If I/Os are required, insert the wires into the I/O connector (I/O ACM) and insert the connector [3].
3. If a relay is required, insert the wires into the relay connector (REL ACM) and insert the connector [4].
4. Connect the ACM 510 to the PE screw on the front side using a PE wire. The tightening torque is 3 Nm.

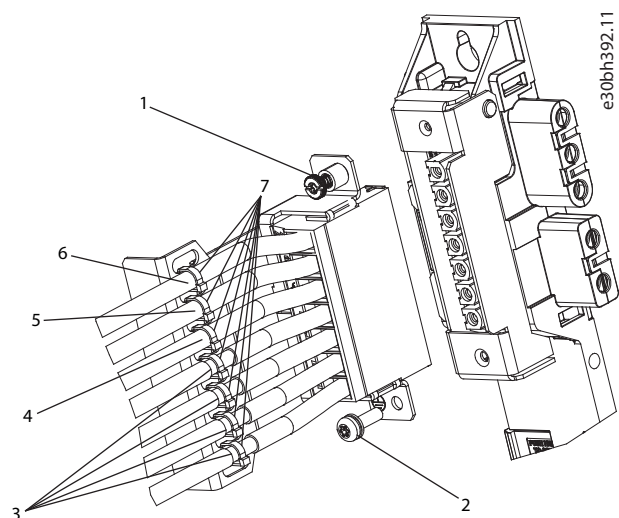
5.12 Connecting the Expansion Module EXM 510

Context:



1 24/48 V	2 GND
3 Functional earth	4 DC-
5 DC-	6 DC+
7 DC+	8 Shielded area

Illustration 57: Expansion Module Cable



1 EMC shielding plate screw	2 PE screw
3 DC cables	4 Functional earth cable
5 GND cable	6 24/48 V cable
7 Cable tie	

Illustration 58: Connecting the Expansion Module EXM 510

NOTICE

- If 2 separate backlinks are used (connected via 1 or 2 pairs of EXM 510 modules), the 2 grounding bars must be also connected together with a 16 mm² (6 AWG) cable cross-section.

Procedure

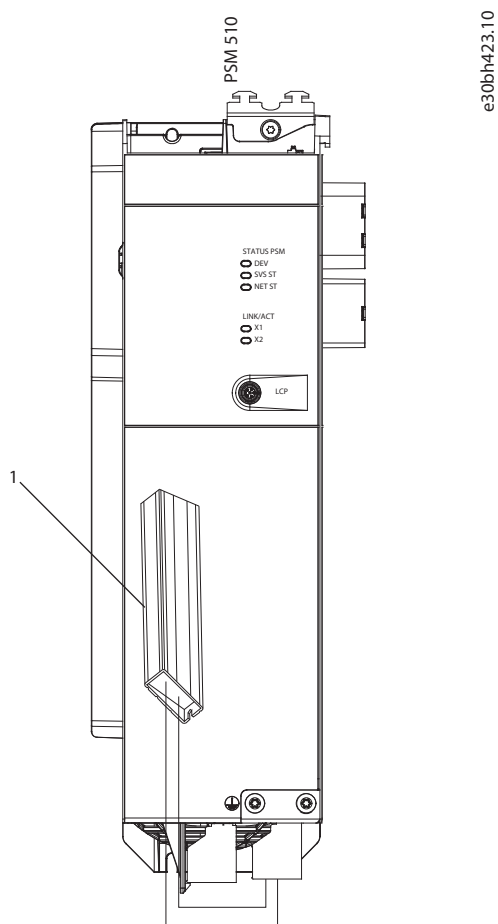
1. Insert wires [3], [4], [5], and [6] into the expansion connector.
2. Secure the DC cables [3] using the cable tie [7], ensuring that the shielded area is positioned exactly under the cable tie.
3. Secure the cables [4], [5], and [6] using the cable ties [7].
4. Plug the connectors into the backplate.
5. Tighten the screw on the EMC shielding plate [1]. The tightening torque is 3 Nm.
6. Ground the expansion module to PE using a PE wire and the PE screw [2]. The tightening torque is 3 Nm.

5.13 Connecting the Brake Resistor on the PSM 510

The PSM 510 is connected to the internal brake resistor as shown in [illustration 59](#).

Alternatively, the PSM 510 can be connected to an external brake resistor. In this case, the internal brake resistor on the PSM 510 must remain unconnected and the connector can be placed in the internal brake resistor connector holder (see [3.2.3 Connectors on the Bottom of PSM 510](#)).

Paralleling or series of brake resistors is not permitted.



1 Internal brake resistor

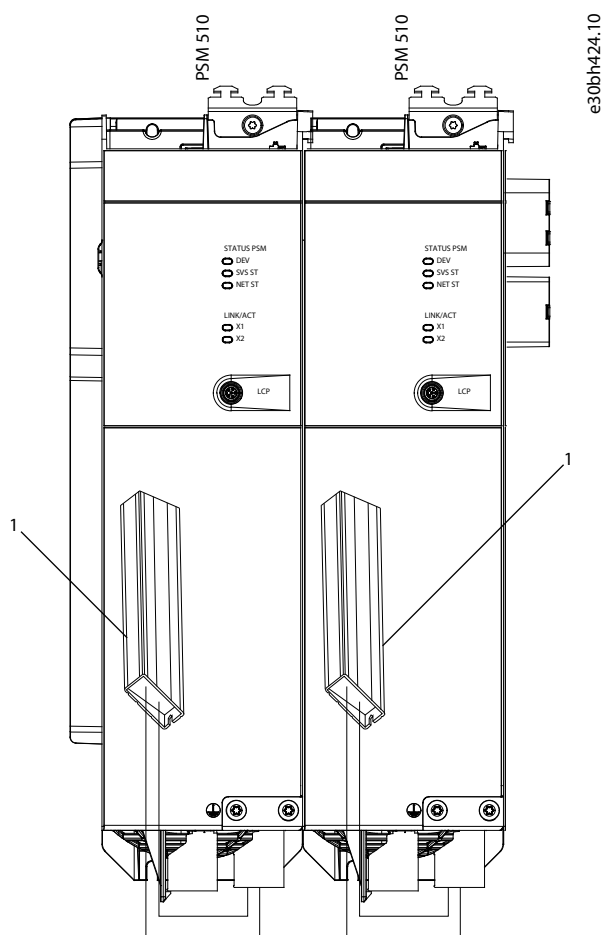
Illustration 59: Connection of Internal Brake Resistor on 1 PSM 510

When using 2 PSM 510 modules, connect each PSM 510 to its own internal brake resistor as shown in [illustration 60](#) (factory setting).

Alternative permitted configurations for 2 PSM 510 modules:

- 1 PSM 510 is connected to the internal brake resistor and the other is connected to an external brake resistor.
- Both PSM 510 modules are connected to an external brake resistor. In this case, the internal brake resistor on the PSM 510 must remain unconnected and the connector can be placed in the internal brake resistor connector holder (see [3.2.3 Connectors on the Bottom of PSM 510](#)).

Paralleling or series of brake resistors is not permitted.



1 Internal brake resistor

Illustration 60: Connection of Brake Resistor on 2 PSM 510 Modules in Parallel

6 Commissioning

6.1 Warnings for Commissioning

⚠ WARNING ⚠

UNINTENDED START

The MSD 510 system contains servo drives, the PSM 510, and DAM 510 that are connected to the electrical supply network and can start running at any time. This may be caused by a fieldbus command, a reference signal, or clearing a fault condition. Servo drives and all connected devices must be in good operating condition. A deficient operating condition may lead to death, serious injury, damage to equipment, or other material damage when the unit is connected to the electrical supply network.

- Take suitable measures to prevent unintended starts.

6.2 Pre-Commissioning Checklist

Context:

Always complete these checks before initial commissioning and before commencing operation after extended downtime or storage.

Procedure

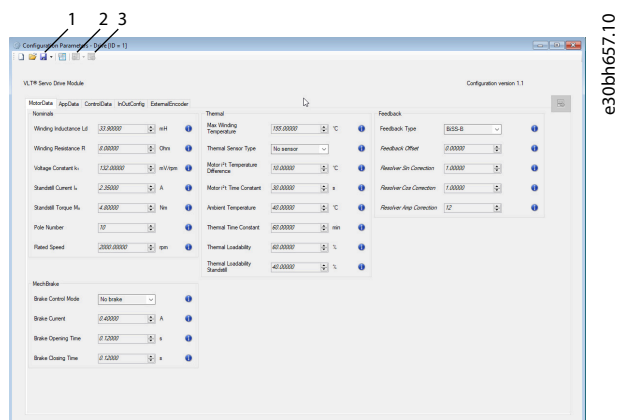
1. Check if all the threaded connectors of mechanical and electrical components are firmly tightened.
2. Check if the free circulation of cooling air (inlet and outlet) is assured.
3. Check if the electrical connections are correct.
4. Ensure that contact protection is in place for rotating parts and surfaces that can become hot.
5. If using the STO functionality, conduct the functional safety concept commissioning test (see [8.8 Commissioning Test](#)).

6.3 SDM 511/SDM 512 Configuration Parameter and Drive Commissioning

6.3.1 Configuration Parameter Subtool

The *Configuration Parameter* subtool is the VLT® Servo Toolbox subtool for configuring:

- Motor data
- Application data
- Control data
- Input/output configurations
- External encoder



<p>1 Save/Save as button</p> <p>3 Write configuration to device button</p>	<p>2 Read configuration from device button</p>
--	---

Illustration 61: Configuration Parameter Subtool

The configuration parameters are stored in a file.

- Click on the *Read configuration from device* button [2] to load the file.
- Click on the *Save/Save as* button [1] to save the file locally.
- Click on the *Write configuration to device* button [3] to transfer the file to a device. Power cycle the device to activate the transferred configuration.

NOTICE

- Refer to the subtool for a detailed description of each parameter.

6.3.2 Drive Commissioning Subtool

The *Drive Commissioning* subtool is the VLT® Servo Toolbox subtool for carrying out commissioning tasks, such as:

- Motor feedback adjustment
- Resolver amplitude calibration
- Inertia measurement

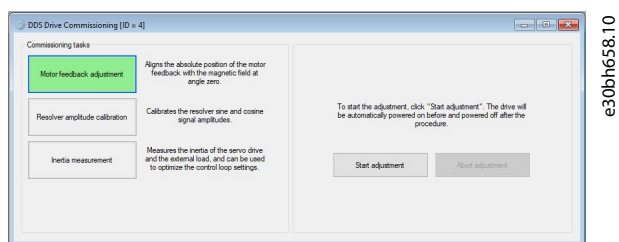


Illustration 62: Drive Commissioning Subtool

6.4 EtherCAT® ID Assignment

EtherCAT® needs no special ID assignment (IP address). Special ID assignment is only required when using indirect communication via the VLT® Servo Toolbox software.

6.5 Ethernet POWERLINK® ID Assignment

6.5.1 Overview

Ethernet POWERLINK® master communication must not be active when using the VLT® Servo Toolbox to assign IDs to the devices. ID assignment via the VLT® Servo Toolbox is only possible when acyclic Ethernet POWERLINK® communication is used. If Ethernet POWERLINK® cyclic communication is already started, perform a power cycle to stop it.

Detach the PLC and carry out a power cycle before setting IDs. Alternatively, in the POWERLINK® interface, restart the PLC in *Service Mode* while parameter *Basic Ethernet in Service Mode* is set to *Basic Ethernet enabled*.

6.5.2 Single Device ID Assignment

When assigning an ID to a single device, use the *Device Information* window in the VLT® Servo Toolbox (see the **VLT® Servo Drive System ISD 510, DSD 510, MSD 510 Programming Guide** for further information).

Setting an ID to a device can also be done via the LCP.

6.5.2.1 Setting the Node ID Directly on a Servo Drive or on the System Modules

Context:

All IP-related parameters are located in parameter group *12-0* IP Settings*. According to the Ethernet POWERLINK® standard, the IP address is fixed to 192.168.100.xxx. The last number is the value in parameter *12-60 Node ID*. For parameter *12-02 Subnet Mask*, the IP address is fixed to 255.255.255.0 and cannot be changed.

Procedure

1. Attach the LCP to the servo drive or system module for which the *Node ID* should be changed.
2. Press the *Hand On* button for >1 s to make the LCP the controlling interface.
3. Press the *Main Menu* button then scroll down to submenu *12-** Ethernet* and press *OK*.
4. Scroll down to submenu *12-6* Ethernet POWERLINK* and press *OK*.
5. Change the PSM 510/DAM 510 node ID to the desired value (1–239).
6. Press *OK* to confirm the selection then wait for the ID assignment procedure to complete.
7. Carry out a power cycle to ensure that all ID changes are in effect and operational on the fieldbus.

6.5.2.2 Setting the Node ID for a Single Servo Drive via the Power Supply Module (PSM 510) or Decentral Access Module (DAM 510) via the LCP

Context:

It is also possible to change the *Node ID* of a servo drive when the LCP is connected to the PSM 510 or DAM 510. This functionality is contained in parameter group *54-** ID Assignment* in subgroup *54-1* Manual*.

Procedure

1. Attach the LCP to the PSM 510/DAM 510 that is connected to the servo drives and system modules for which the *Node ID* should be changed.
2. Press the *Hand On* button for >1 s to make the LCP the controlling interface for the PSM 510/DAM 510.
3. Press the *Main Menu* button then scroll down to submenu *12-** Ethernet* and press *OK*.
4. Scroll down to submenu *12-6* Ethernet POWERLINK* and press *OK*.
5. Change the PSM 510/DAM 510 node ID to the desired value (1–239) by pressing the *OK* button.
6. Return to the *Main Menu* and select parameter *54-** ID Assignment*.
7. Select parameter *54-1* Manual*.
8. PSM 510 only: In parameter *54-01 Epl id assignment line*, select either Ethernet port X1 or X2. The PSM 510 will assign IDs to the selected device via the selected port and the fieldbus network. On DAM 510 port, X2 will be used automatically.
9. Select parameter *54-12 Epl ID assignment start id* then select a valid value (1–239). The value will be assigned to the device at the specified position index. The PSM 510/DAM 510 connected to the LCP is at position 0 and the 1st reachable device on the selected port is position index 1 and so on.
10. Select parameter *54-14 Manual Epl ID assignment start* and change the status from *[0] ready* to *[1] start*.
11. Press *OK* to confirm the selection then wait for the ID assignment procedure to complete.
12. Check that the ID assignment was completed successfully using parameters:
 - A Parameter *54-15 Epl ID assignment state*
 - B Parameter *54-16 Epl ID assignment error code*
 - C Parameter *54-17 Epl ID assignment device count*
13. Carry out a power cycle to ensure that all ID changes are in effect and operational on the fieldbus.
 - If an error occurs during ID assignment, the detected error is shown on the LCP. The following errors may be reported:
 - Invalid NMT state
 - Invalid comment
 - Invalid Ethernet port
 - Invalid node ID
 - ID assignment failed
 - Duplicate MAC address
 - Invalid SW version
 - Incomplete assignment
 - No device found
 - Internal error

6.5.3 Multiple Device ID Assignment

When assigning IDs to several devices (for example, when setting up a new network), use the VLT® Servo Toolbox subtool *DAM ID assignment* (see the **VLT® Servo Drive System ISD 510, DSD 510, MSD 510 Programming Guide** for further information).

Setting the IDs of all the servo drives connected to a Decentral Access Module (DAM 510) or Power Supply Module (PSM 510) at the same time can also be done via the LCP when it is connected to the DAM 510/PSM 510.

6.5.3.1 Setting the Node IDs of all Servo Drives and System Modules on a Decentral Access Module (DAM 510)/Power Supply Module (PSM 510) Line

Context:

The automatic PSM 510/DAM 510 ID assignment is used for automatically setting the *Node IDs* on all servo drives and system modules for a specified PSM 510/DAM 510 line. This functionality is contained in parameter group 54- ** ID Assignment in subgroup 54-0* Automatic.

Procedure

1. Attach the LCP to the PSM 510/DAM 510 that is connected to the servo drives and system modules for which the *Node ID* should be changed.
 2. Press the *Hand On* button for >1 s to make the LCP the controlling interface for the PSM 510/DAM 510.
 3. Press the *Main Menu* button then scroll down to submenu 12-** Ethernet and press *OK*.
 4. Scroll down to submenu 12-6* Ethernet POWERLINK and press *OK*.
 5. Change the PSM 510/DAM 510 node ID to the desired value (1–239) by pressing the *OK* button.
 6. Return to the *Main Menu* and select parameter 54-** ID Assignment.
 7. Select parameter 54-0* Automatic.
 8. PSM 510 only: In parameter 54-01 Epl id assignment line, select either Ethernet port X1 or X2. The PSM 510 will assign IDs to the selected device via the selected port and the fieldbus network. On DAM 510 port, X2 will be used automatically.
 9. Select parameter 54-02 Epl ID assignment start id then select a valid value (1–239). The value will be assigned to the device at the specified position index. The PSM 510/DAM 510 connected to the LCP is at position 0 and the 1st reachable device on the selected port is position index 1 and so on.
 10. Select parameter 54-03 Automatic Epl ID assignment start and change the status from [0] ready to [1] start.
 11. Press *OK* to confirm the selection then wait for the ID assignment procedure to complete.
 12. Check that the ID assignment was completed successfully using parameters:
 - A Parameter 54-04 Epl ID assignment state
 - B Parameter 54-05 Epl ID assignment error code
 - C Parameter 54-06 Epl ID assignment device count
 13. Carry out a power cycle to ensure that all ID changes are in effect and operational on the fieldbus.
- ➔ If an error occurs during ID assignment, the detected error is shown on the LCP. The following errors may be reported:
- Invalid NMT state
 - Invalid comment
 - Invalid Ethernet port
 - Invalid node ID
 - ID assignment failed
 - Duplicate MAC address
 - Invalid SW version
 - Incomplete assignment
 - No device found
 - Internal error

6.6 PROFINET® ID Assignment

Each PROFINET® device needs a device name and an IP address. The IP address and the device name are assigned by the I/O controller, when the connection to the I/O device is established.

The IP address assignment is also required when using indirect communication via the VLT® Servo Toolbox software (see the **VLT® Servo Drive System ISD 510, DSD 510, MSD 510 Programming Guide** for further information).

The IP address and the device name can also be assigned using PRONETA, a free tool that supports in the analysis and configuration of PROFINET® networks.

6.7 Power-Up Time

The maximum power-up time for the system components is 15 s. This means the time from supplying the system with auxiliary voltage to the module being initialized completely.

The power-up time stated is an indicative time. The exact status of the module can be seen via the statusword.

NOTICE

- Do not operate any of the system modules until they are all powered up correctly.
- If 2 PSM 510 modules are mounted in parallel, power up both PSM 510 modules simultaneously (within a maximum delay of 1 second).

6.8 System Module Charging Time

The charging time of the system is determined by the longest charging time of each individual system module.

The exact status of each module can be seen via the statusword.

NOTICE

- Do not operate any of the system modules until they are charged up completely and are in state *Operation enabled*.

Table 16: DC-Link (UDC) Charging Time for PSM 510, DAM 510, and ACM 510

Specification	Unit	PSM 510	DAM 510	ACM 510
UDC charging time	s	2.0	2.0	3.5

Table 17: DC-Link (UDC) Charging Time for SDM 511

Specification	Unit	SDM 511	SDM 511	SDM 511	SDM 511
		2.5 A	5 A	10 A	20 A
UDC charging time	s	2.0			

Table 18: DC-Link (UDC) Charging Time for SDM 512

Specification	Unit	SDM 512	SDM 512	SDM 512
		2 x 2.5 A	2 x 5 A	2 x 10 A
UDC charging time	s	2.0		

6.9 Switching on the MSD 510 System

Complete the cabling of the MSD 510 system before applying power to the Servo Drive Modules (SDM 511/SDM 512). This cabling provides the supply voltage and the communication signals for the MSD 510 system. This is a fundamental requirement for operation of the servo drives.

The MSD 510 system is switched on by supplying the Power Supply Module (PSM 510) with U_{AUX} . This supply is then automatically passed on to all connected system modules and only the control units of the connected modules are running. The system is ready for operation when mains and STO are supplied.

6.9.1 Procedure for Switching on the MSD 510 System

Procedure

1. Switch on U_{AUX} power to enable communication to the PSM 510, DAM 510, and SDM modules to be established.
2. Switch on the mains.
3. Set the PSM 510 to state *Operation enabled*.

Now the system modules are ready for operation.

4. Set the DAM 510 to state *Operation enabled*.

6.10 Libraries

The libraries provided for the MSD 510 system can be used in:

- TwinCAT® V2
- SIMOTION SCOUT® V4.4 and V4.5:
 - C240 from V4.4
 - D410-2 from V4.4
 - D425-2 from V4.4
 - D435-2 from V4.4
 - D445-2 from V4.4
 - D455-2 from V4.4
 - P320 from V4.4
- Automation Studio™ environment (version 3.0.90 and 4.x, supported platform SG4) to easily integrate the functionality without the need for special motion run-time on the controller.
- TiA from V13

The provided function blocks conform to the PLCopen® standard. Knowledge of the underlying fieldbus communication and/or the CANopen® CiA DS 402 profile is not necessary.

The library contains:

- Function blocks for controlling and monitoring the ISD 510/DSD 510 servo drives, servo drive modules SDM 511/SDM 512, and the system modules.
- Function blocks for all available motion commands of the ISD 510/DSD 510 servo drives and SDM 511/SDM 512 servo drive modules.
- Function blocks for controlling and monitoring the PSM 510, DAM 510, and ACM 510.
- Function blocks and structures for creating *Basic CAM* profiles.
- Function blocks and structures for creating *Labeling CAM* profiles.

6.11 Programming with Automation Studio™

6.11.1 Requirements for Programming with Automation Studio™

The following files are required to integrate the ISD 510/DSD 510 servo drives, the SDM 511/SDM 512 servo drive modules, and the system modules into an Automation Studio™ project:

- Package of libraries for the MSD 510 servo system: Danfoss_VLT_ServoMotion_V_x_y_z.zip
- XDD file (XML Device Description) for the standard ISD 510 servo drive: 0x0300008D_ISD510_S.xdd
- XDD file (XML Device Description) for the advanced ISD 510 servo drive: 0x0300008D_ISD510_A.xdd
- XDD file (XML Device Description) for the standard DSD 510 servo drive: 0x0300008D_DSD510_S.xdd
- XDD file (XML Device Description) for the advanced DSD 510 servo drive: 0x0300008D_DSD510_A.xdd
- XDD file (XML Device Description) for the SDM 511/SDM 512 servo drive module: 0x0300008D_SDM510.xdd
- XDD file (XML Device Description) for the Power Supply Module (PSM 510): 0x0300008D_PSM.xdd
- XDD file (XML Device Description) for the Decentral Access Module (DAM 510): 0x0300008D_DAM.xdd
- XDD file (XML Device Description) for the Auxiliary Capacitors Module (ACM 510): 0x0300008D_ACM.xdd

6.11.2 Creating an Automation Studio™ Project

The procedures described in this chapter apply to Automation Studio™ Versions 3.0.90 and V4.x unless otherwise specified.

Information on how to install Automation Studio™ can be found in detail in the Automation Studio™ help. Open the B&R Help Explorer and go to [Automation software → Software Installation → Automation Studio].

Information on how to create a project in Automation Studio™ can be found in detail in the Automation Studio™ help.

V3.0.90:

Open the B&R Help Explorer and go to [Automation Software → Getting Started → Creating programs with Automation Studio → First project with X20 CPU].

V4.x:

Open the B&R Help Explorer and go to [Automation Software → Getting Started → Creating programs with Automation Studio → Example project for a target system with CompactFlash].

6.11.3 Including the Servo Motion Libraries into an Automation Studio™ Project

Procedure

1. In the *Logical View*, open the menu entry [File → Import...].
2. In the next window, select the Danfoss_VLT_ServoMotion_V_x_y_z.zip file (according to the location on the hard drive).
3. Click on *Open*.
4. Assign the libraries to the CPU in the next window.
5. Click on *Finish*. Now the libraries are integrated into the Automation Studio™ project.

A new folder containing the ISD libraries is created during integration:

- DDS_Drive
 - Contains program organization units (POUs) defined by PLCopen® (name starting with MC_) and POUs defined by Danfoss (name starting with DD_). The Danfoss POUs provide additional functionality for the axis.
 - It is possible to combine POUs defined by PLCopen® with POUs defined by Danfoss.
 - The names of the POUs that target the servo drive all end with _DDS.
- DDS_PSM
 - Contains POUs defined by Danfoss (name starting with DD_) and provide the functionality for the Power Supply Module (PSM).
 - The names of the POUs that target the PSM all end with _PSM.
- DDS_DAM
 - Contains POUs defined by Danfoss (name starting with DD_) and provide the functionality for the Decentral Access Module (DAM).
 - The names of the POUs that target the DAM all end with _DAM.
- DDS_ACM
 - Contains POUs defined by Danfoss (name starting with DD_) and provide the functionality for the Auxiliary Capacitors Module (ACM).
 - The names of the POUs that target the ACM all end with _ACM.
- DDS_BasCam
 - Contains POUs for the creation of basic CAMs.
- DDS_LabCam
 - Contains POUs for the creation of labeling CAMs.
- DDS_Intern
 - Contains POUs that are needed internally for the libraries.
 - Do not use these POUs in an application.

When integrating the DDS_Drive package, some standard libraries are integrated automatically, unless they are already part of the project.

NOTICE

- Do not remove these libraries otherwise the Danfoss servo motion libraries will not work.

6.11.4 Constants within the DDS_Drive Library

Inside the library, the following lists of constants are defined:

- Danfoss_VLT_ServoMotion
 - Contains the version information of the library.
- DDS_AxisErrorCodes
 - Constants for error codes of the axis.
 - Error codes can be read using the function block *MC_ReadAxisError_DDS* and/or *DD_ReadAxisWarning_DDS*.
- DDS_AxisTraceSignals
 - Constants for the trace signals of the axis.
 - Intended to be used with the function block *DD_Trace_DDS*.
- DDS_BasCam
 - Constants for the creation of basic CAMs.
- DDS_CamParsingErrors
 - Constants for parsing problems of a CAM.
 - Error reason is returned by function block *MC_CamTableSelect_DDS*.
- DDS_FB_ErrorConstants
 - Constants for errors inside POU's.
 - The reason is given in an output *ErrorInfo.ErrorID* that is available in all POU's.
- DDS_Intern
 - Constants which are needed internally for the library.
 - They are not intended to be used in an application.
- DDS_LabCam
 - Constants for the creation of labeling CAMs.
- DDS_SdoAbortCodes
 - Constants for errors concerning reading and writing of parameters.
 - The reason is given in an output *AbortCode* that is available in several POU's.
- PSM_ErrorCodes
 - Constants for error codes of the Power Supply Module (PSM 510).
 - Error codes can be read using the function block *DD_ReadPsmError_PSM* and/or *DD_ReadPsmWarning_PSM*.
- PSM_TraceSignals
 - Constants for the trace signals of the Power Supply Module (PSM 510).
 - Intended to be used with the function block *DD_Trace_PSM*.
- DAM_ErrorCodes
 - Constants for error codes of the Decentral Access Module (DAM 510).
 - Error codes can be read using the function block *DD_ReadDamError_DAM* and/or *DD_ReadDamWarning_DAM*.
- DAM_TraceSignals
 - Constants for the trace signals of the Decentral Access Module (DAM 510).
 - Intended to be used with the function block *DD_Trace_DAM*.
- ACM_ErrorCodes
 - Constants for error codes of the Auxiliary Capacitors Module (ACM 510).
 - Error codes can be read using the function block *DD_ReadAcmError_ACM* and/or *DD_ReadAcmWarning_ACM*.
- ACM_TraceSignals
 - Constants for the trace signals of the Auxiliary Capacitors Module (ACM 510).
 - Intended to be used with the function block *DD_Trace_ACM*.

6.11.5 Instantiating AXIS_REF_DDS in Automation Studio™

Procedure

1. Create 1 instance of function block *AXIS_REF_DDS* (located in folder *DDS_Drive*) for every SDM 511/SDM 512 drive module and servo drive that has to be controlled or monitored.
2. To create a link to the physical servo drive, link each instance of *AXIS_REF_DDS* to 1 physical servo drive. This makes it the logical representation of 1 physical servo drive.

Open the *Logical View*.

Initialize each instance with its node number and the slot name it is connected to (for example, IF3).

Initialize each instance of a drive with its *DriveType*.

Example:

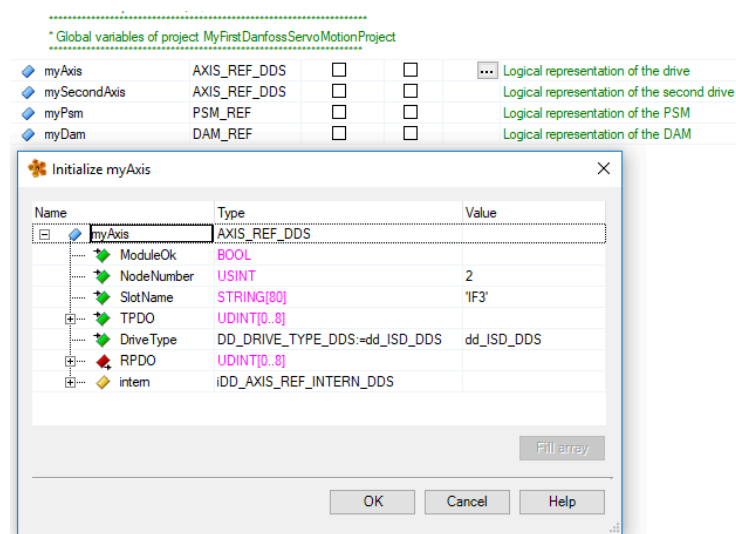


Illustration 63: Instantiation of AXIS_REF_DDS and Setting of Initial Values

6.11.6 Instantiating PSM_REF in Automation Studio™

Procedure

1. Create 1 instance of function block *PSM_REF* (located in folder *DDS_PSM*) for every Power Supply Module (PSM) that has to be controlled or monitored.
2. To create a link to the physical PSM, link each instance of *PSM_REF* to 1 physical PSM. This makes it the logical representation of 1 physical PSM.

Open the *Logical View*.

Initialize each instance with its node number and the slot name it is connected to (for example, IF3).

6.11.7 Instantiating DAM_REF in Automation Studio™

Procedure

1. Create 1 instance of function block *DAM_REF* (located in folder *DDS_DAM*) for every Decentral Access Module (DAM) that has to be controlled or monitored.
2. To create a link to the physical DAM, link each instance of *DAM_REF* to 1 physical DAM. This makes it the logical representation of 1 physical DAM.

Open the *Logical View*.

Initialize each instance with its node number and the slot name it is connected to (for example, IF3).

6.11.8 Instantiating ACM_REF in Automation Studio™

Procedure

1. Create 1 instance of function block *ACM_REF* (located in folder *DDS_ACM*) for every Auxiliary Capacitors Module (ACM) that has to be controlled or monitored.
2. To create a link to the physical ACM, link each instance of *ACM_REF* to 1 physical ACM. This makes it the logical representation of 1 physical ACM.

Open the *Logical View*.

Initialize each instance with its node number and the slot name it is connected to (for example, IF3).

6.11.9 Importing a Servo Drive into Automation Studio™

Context:**NOTICE**

- For each physical servo drive, add 1 entry to the *Physical View* of Automation Studio™.

6.11.9.1 Version V3.0.90

Procedure

1. Select the menu entry [Tools → Import Fieldbus Device...].
2. Select the XDD file (for example, *0x0300008D_ISD510_S.xdd* or *0x0300008D_ISD510_A.xdd*) from its location on the hard drive. This import only needs to be done once per project. The device is then known to Automation Studio™.
3. Now add the SDM 511/SDM 512 drive module or servo drive to the Ethernet POWERLINK® interface of the controller in the *Physical View*:

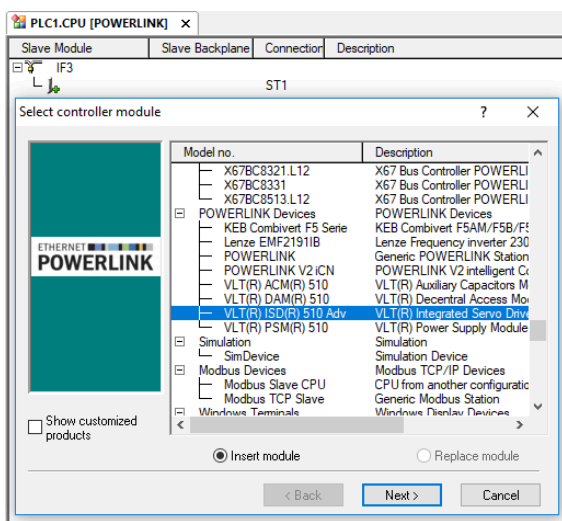
Right-click on the controller in the *Physical View* and select [Open POWERLINK].

Right-click on the interface and select *Insert...*

In the *Select controller module* window, select the servo drive in the group *POWERLINK Devices*.

Click on *Next*.

In the next window, enter the node number of the servo drive.



e30bh513.10

Illustration 64: Adding a Servo Drive to the Project in V3.0.90

6.11.9.2 Version V4.x

Procedure

1. Select the menu entry [Tools → Import Fieldbus Device...].
2. Select the XDD file (for example, *0x0300008D_ISD510_S.xdd* or *0x0300008D_ISD510_A.xdd*) from its location on the hard drive. The device is then known to Automation Studio™.
3. Now add the SDM 511/SDM 512 drive module or servo drive to the Ethernet POWERLINK® interface of the controller in the *Physical View*:

Select the menu entry [Open → System Designer] to show the *System Designer*.

To add a hardware module to the *Physical View* or *System Designer*, select the servo drive in the group *POWERLINK* in the *Hardware Catalog* toolbox.

Drag the selected module to the desired position to connect it to the selected hardware module, network interface, or slot.

To change the node number, right-click on the device and select [Node Number → Change Node Number].

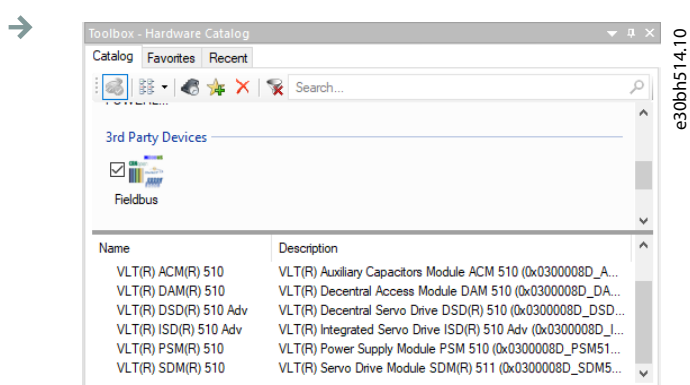


Illustration 65: Adding a Servo Drive to the Project in V4.x

6.11.10 Importing PSM 510, DAM 510 and ACM 510 into Automation Studio™

Context:

NOTICE

- For each physical Power Supply Module (PSM 510), Decentral Access Module (DAM 510), and Auxiliary Capacitors Module (ACM 510), add 1 entry to the *Physical View* of Automation Studio™.

6.11.10.1 Version V3.0.90

Procedure

1. Select the menu entry [Tools → Import Fieldbus Device...].
2. Select the XDD file for the PSM 510, DAM 510, or ACM 510 from its location on the hard drive. This import only needs to be done once per project. The device is then known to Automation Studio™.

Power Supply Module (PSM 510): *0x0300008D_PSM.xdd*

Decentral Access Module (DAM 510): *0x0300008D_DAM.xdd*

Auxiliary Capacitors Module (ACM 510): *0x0300008D_ACM.xdd*

3. Now add the PSM 510, DAM 510, or ACM 510 to the Ethernet POWERLINK® interface of the controller in the *Physical View*:

Right-click on the controller in the *Physical View* and select [Open POWERLINK].

Right-click on the interface and select *Insert....*

In the *Select controller module* window, select the PSM 510, DAM 510, or ACM 510 in the group *POWERLINK Devices*.

Click on *Next*.

In the next window, enter the node number of the PSM 510, DAM 510, or ACM 510.

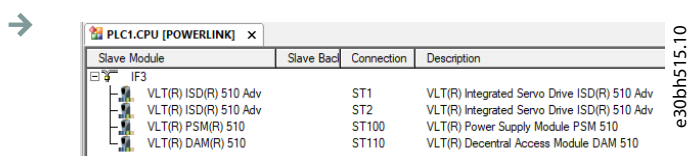


Illustration 66: 1 PSM 510, 1 DAM 510, and 2 ISD 510 Servo Drives Added to the Ethernet POWERLINK® Interface in V3.0.90

6.11.10.2 Version V4.x

Procedure

1. Select the menu entry [Tools → Import Fieldbus Device...].
2. Select the XDD file for the PSM 510, DAM 510, or ACM 510 from its location on the hard drive. The device is then known to Automation Studio™.
 Power Supply Module (PSM 510): *0x0300008D_PSM.xdd*
 Decentral Access Module (DAM 510): *0x0300008D_DAM.xdd*
 Auxiliary Capacitors Module (ACM 510): *0x0300008D_ACM.xdd*
3. Now add the PSM 510, DAM 510, or ACM 510 to the Ethernet POWERLINK® interface of the controller in the *Physical View*:
 Select the menu entry [Open → System Designer] to show the *System Designer*.
 To add a hardware module to the *Physical View* or *System Designer*, select the PSM 510, DAM 510, or ACM 510 in the group *POWERLINK* in the *Hardware Catalog* toolbox.
 Drag the selected module to the desired position to connect it to the selected hardware module, network interface, or slot.

 To change the node number, right-click on the device and select [Node → Change Node Number].

PSM: Danfoss_VLT_R_PSM

DAM: Danfoss_VLT_R_DAM

ACM: Danfoss_VLT_R_ACM

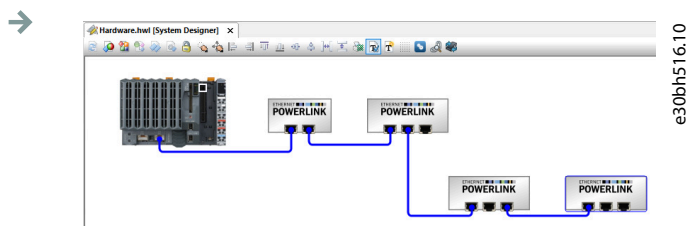


Illustration 67: 1 PSM 510, 1 DAM 510, and 2 ISD 510 Servo Drives Added to the Ethernet POWERLINK® Interface in V4.x

6.11.11 I/O Configuration and I/O Mapping

Procedure

1. Parameterize the I/O configuration of the SDM 511/SDM 512 drive modules or servo drives so that the library has access to all necessary objects.

Right-click on the entry of the SDM 511/SDM 512 drive module or servo drive and select *Open I/O Configuration* in V3.0.90 and *Configuration* in V4.x.

In the *Channels* section, change the *Cyclic transmission* of the following objects:

All sub-indexes of object 0x5050 (Lib pdo rx_I5050 ARRAY[]) to *Write*.

All sub-indexes of object 0x5051 (Lib pdo tx_I5051 ARRAY[]) to *Read*.

2. Parameterize the I/O configuration of the Power Supply Module (PSM 510), Decentral Access Module (DAM 510), and Auxiliary Capacitors Module (ACM 510) so that the library has access to all necessary objects.

Right-click on the entry of the PSM/DAM/ACM and select *Open I/O Configuration* in V3.0.90 and *Configuration* in V4.x.

In the *Channels* section, change the *Cyclic transmission* of the following objects:

All sub-indexes of object 0x5050 (Lib pdo rx_I5050 ARRAY[]) to *Write*.

All sub-indexes of object 0x5051 (Lib pdo tx_I5051 ARRAY[]) to *Read*.

These settings configure the cyclic communication with the device. These parameters are required for the library to work.

NOTICE

- It is possible to use copy and paste to apply the same I/O configuration to multiple devices of the same type.

3. Set *Module supervised* to *off* for the servo drives and the PSM/DAM/ACM. The parameter is found in the I/O configuration of the device.



Name	Value	Description
Lib pdo rx_I5050 ARRAY[]		
LibPdoRx1_I5050_S01		
Cyclic transmission	Write	
Datatype	UDINT	UNSIGNED32
Init value		Set at bootup (clear to pre)
LibPdoRx2_I5050_S02		
Cyclic transmission	Write	
Datatype	UDINT	UNSIGNED32
Init value		Set at bootup (clear to pre)
LibPdoRx3_I5050_S03		
Cyclic transmission	Write	
Datatype	UDINT	UNSIGNED32
Init value		Set at bootup (clear to pre)
LibPdoRx4_I5050_S04		
LibPdoRx5_I5050_S05		
LibPdoRx6_I5050_S06		
LibPdoRx7_I5050_S07		
LibPdoRx8_I5050_S08		
LibPdoRx9_I5050_S09		
Lib pdo tx_I5051 ARRAY[]		
LibPdoTx1_I5051_S01		
Cyclic transmission	Read	
Datatype	UDINT	UNSIGNED32
Init value		Set at bootup (clear to pre)
LibPdoTx2_I5051_S02		
Cyclic transmission	Read	
Datatype	UDINT	UNSIGNED32
Init value		Set at bootup (clear to pre)
LibPdoTx3_I5051_S03		
Cyclic transmission	Read	
Datatype	UDINT	UNSIGNED32
Init value		Set at bootup (clear to pre)
LibPdoTx4_I5051_S04		
LibPdoTx5_I5051_S05		
LibPdoTx6_I5051_S06		
LibPdoTx7_I5051_S07		
LibPdoTx8_I5051_S08		
LibPdoTx9_I5051_S09		

e30bg341.10

Illustration 68: I/O Configuration of an ISD 510 Device

Channel Name	Data Type	Task Class	PV or Channel Name	Inverse	Simulate
ModuleOk	BOOL			<input type="checkbox"/>	<input type="checkbox"/>
LibPdoRx1_I5050_S01	UDINT			<input type="checkbox"/>	<input type="checkbox"/>
LibPdoRx2_I5050_S02	UDINT			<input type="checkbox"/>	<input type="checkbox"/>
LibPdoRx3_I5050_S03	UDINT			<input type="checkbox"/>	<input type="checkbox"/>
LibPdoRx4_I5050_S04	UDINT			<input type="checkbox"/>	<input type="checkbox"/>
LibPdoRx5_I5050_S05	UDINT			<input type="checkbox"/>	<input type="checkbox"/>
LibPdoRx6_I5050_S06	UDINT			<input type="checkbox"/>	<input type="checkbox"/>
LibPdoRx7_I5050_S07	UDINT			<input type="checkbox"/>	<input type="checkbox"/>
LibPdoRx8_I5050_S08	UDINT			<input type="checkbox"/>	<input type="checkbox"/>
LibPdoRx9_I5050_S09	UDINT			<input type="checkbox"/>	<input type="checkbox"/>
LibPdoTx1_I5051_S01	UDINT			<input type="checkbox"/>	<input type="checkbox"/>
LibPdoTx2_I5051_S02	UDINT			<input type="checkbox"/>	<input type="checkbox"/>
LibPdoTx3_I5051_S03	UDINT			<input type="checkbox"/>	<input type="checkbox"/>
LibPdoTx4_I5051_S04	UDINT			<input type="checkbox"/>	<input type="checkbox"/>
LibPdoTx5_I5051_S05	UDINT			<input type="checkbox"/>	<input type="checkbox"/>
LibPdoTx6_I5051_S06	UDINT			<input type="checkbox"/>	<input type="checkbox"/>
LibPdoTx7_I5051_S07	UDINT			<input type="checkbox"/>	<input type="checkbox"/>
LibPdoTx8_I5051_S08	UDINT			<input type="checkbox"/>	<input type="checkbox"/>
LibPdoTx9_I5051_S09	UDINT			<input type="checkbox"/>	<input type="checkbox"/>

e30bg342.10

Illustration 69: I/O Mapping after Successful Configuration

- Map the inputs and outputs of the instance of the *AXIS_REF_DDS* function block and the physical data points of the ISD 510 servo drive (here *myAxis* is an instance of *AXIS_REF_DDS*):

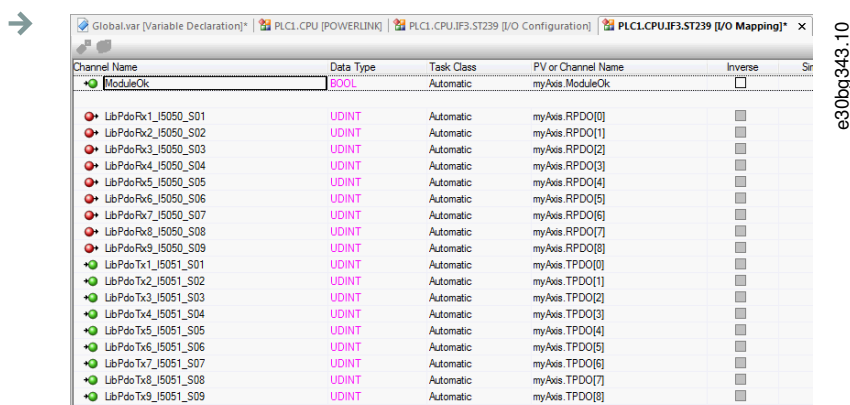


Illustration 70: I/O Mapping of an ISD 510 Servo Drive

5. Map the inputs and outputs of the instance of the *PSM_REF*, *DAM_REF*, and *ACM_REF* function blocks and the physical data points of the PSM/DAM/ACM accordingly.

6.11.12 Setting the PLC Cycle Time

Context:

The minimum cycle time is 400 μs. The servo system devices can run Ethernet POWERLINK® cycle times in multiples of 400 μs and multiples of 500 μs. The devices are automatically parameterized by the PLC on start-up, depending on the Ethernet POWERLINK® configuration of the physical interface. The Ethernet POWERLINK® configuration can be accessed by right-clicking [CPU → Open IF3 POWERLINK Configuration] in the *Physical View* for V3.0.90 or [PLK → Configuration] for V4.x.

NOTICE

- Ensure that the task cycle times of the PLC program and Ethernet POWERLINK® are the same. Otherwise, data could be lost and performance reduced.

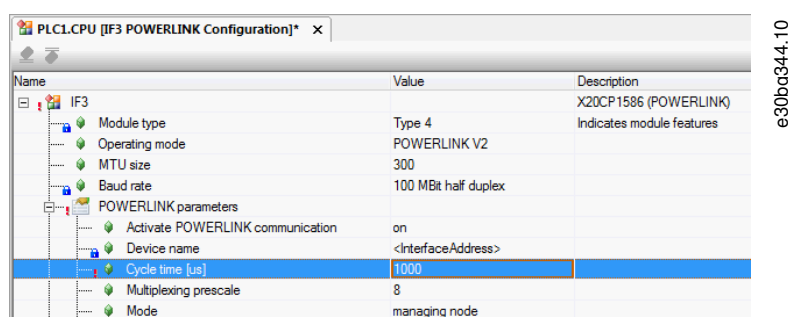


Illustration 71: Ethernet POWERLINK® Configuration Window to Parameterize Ethernet POWERLINK® Cycle Time

Procedure for setting the PLC time in Automation Studio™

1. Right-click [CPU → Open Software Configuration] for V3.0.90 and [CPU → Configuration → Timing] for V4.x in the *Physical View*.
2. Ensure that the PLC cycle time is the same as the Ethernet POWERLINK® cycle time.

6.11.13 Connecting to the PLC

Information on how to connect to the PLC can be found in detail in the Automation Studio™ Help.

Version V3.0.90:

Open the *B&R Help Explorer* and go to [Automation Software → Getting Started → Creating programs with Automation Studio → First project with X20 CPU → Configure online connection].

Version V4.x:

Open the *B&R Help Explorer* and go to [Automation Software → Getting Started → Creating programs in Automation Studio → Example project for a target system with CompactFlash].

6.12 Programming with TwinCAT®

6.12.1 Requirements for Programming with TwinCAT®

To integrate the ISD 510/DSD 510 servo drives, servo drive modules SDM 511/SDM 512, and the PSM 510, DAM 510, or ACM 510 into a TwinCAT® project, the following files are required:

- Library for the MSD 510 servo system: *Danfoss_VLT_ServoMotion_V_x_y_z.lib*
- ESI file (EtherCAT® Slave Information) for the standard ISD 510 servo drive: *Danfoss_ISD510_S.xml*
- ESI file (EtherCAT® Slave Information) for the advanced ISD 510 servo drive: *Danfoss_ISD510_A.xml*
- ESI file (EtherCAT® Slave Information) for the standard DSD 510 servo drive: *Danfoss_DSD510_S.xml*
- ESI file (EtherCAT® Slave Information) for the advanced DSD 510 servo drive: *Danfoss_DSD510_A.xml*
- ESI file (EtherCAT® Slave Information) for the Servo Drive Module: *Danfoss_SDM510.xml*
- ESI file (EtherCAT® Slave Information) for the Power Supply Module: *Danfoss_PSM510.xml*
- ESI file (EtherCAT® Slave Information) for the Decentral Access Module: *Danfoss_DAM510.xml*
- ESI file (EtherCAT® Slave Information) for the Auxiliary Capacitor Module: *Danfoss_ACM510.xml*

6.12.2 Creating a TwinCAT® Project

Information on how to install TwinCAT® can be found in detail in the Beckhoff Information System (<https://infosys.beckhoff.com/>). Open the information system and select [TwinCAT 2 → TwinCAT Quick Start → Installation].

Information on how to create a project in TwinCAT® can be found in detail in the Beckhoff Information System (<https://infosys.beckhoff.com/>). Open the information system and select [TwinCAT 2 → TwinCAT Quick Start or TwinCAT 2 → TX1200 TwinCAT PLC → TwinCAT PLC Control].

6.12.3 Including the TwinCAT® Library into a TwinCAT® Project

Procedure

1. In the *Resources* tab of TwinCAT® PLC Control, open the *Library Manager*.
2. In the upper left area of the *Library Manager* window, right-click and select *Additional Library...*
3. Select the *Danfoss_VLT_ServoMotion_V_x_y_z* file (according to the location on the hard drive).
4. Click on *Open*. Now the libraries are integrated into the TwinCAT® PLC control project.

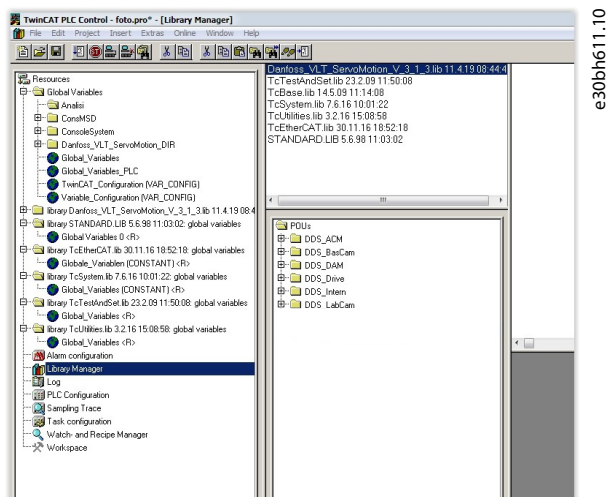


Illustration 72: Library Manager after Including the ServoMotion Library

Inside the library, the POUs are organized into folders:

- DDS_Drive
 - Contains program organization units (POUs) defined by PLCopen® (name starting with MC_) and POUs defined by Danfoss (name starting with DD_). The Danfoss POUs provide additional functionality for the axis.
 - It is possible to combine POUs defined by PLCopen® with POUs defined by Danfoss.
 - The names of the POUs that target the SDM 511/SDM 512 drive modules and servo drives all end with _DDS.
- DDS_PSM
 - Contains POUs defined by Danfoss (name starting with DD_) and provide the functionality for the Power Supply Module (PSM 510).
 - The names of the POUs that target the PSM 510 all end with _PSM.
- DDS_DAM
 - Contains POUs defined by Danfoss (name starting with DD_) and provide the functionality for the Decentral Access Module (DAM 510).
 - The names of the POUs that target the DAM 510 all end with _DAM.
- DDS_ACM
 - Contains POUs defined by Danfoss (name starting with DD_) and provide the functionality for the Auxiliary Capacitors Module (ACM 510).
 - The names of the POUs that target the ACM 510 all end with _ACM.
- DDS_BasCam
 - Contains POUs for the creation of basic CAMs.
- DDS_LabCam
 - Contains POUs for the creation of labeling CAMs.
- DDS_Intern
 - Contains POUs that are needed internally for the libraries.
 - Do not use these POUs in an application.

When integrating the VLT® Multiaxis Servo Drive library, some standard libraries are integrated automatically, unless they are already part of the project.

NOTICE

- Do not remove these libraries otherwise the DDS libraries will not work.

6.12.4 Constants within the DDS_Drive Library

Inside the library, the following lists of constants are defined:

- Danfoss_VLT_ServoMotion
 - Contains the version information of the library.
- DDS_AxisErrorCodes
 - Constants for error codes of the axis.
 - Error codes can be read using the function block *MC_ReadAxisError_DDS* and/or *DD_ReadAxisWarning_DDS*.
- DDS_AxisTraceSignals
 - Constants for the trace signals of the axis.
 - Intended to be used with the function block *DD_Trace_DDS*.
- DDS_BasCam
 - Constants for the creation of basic CAMs.
- DDS_CamParsingErrors
 - Constants for parsing problems of a CAM.
 - Error reason is returned by function block *MC_CamTableSelect_DDS*.
- DDS_FB_ErrorConstants
 - Constants for errors inside POU's.
 - The reason is given in an output *ErrorInfo.ErrorID* that is available in all POU's.
- DDS_Intern
 - Constants which are needed internally for the library.
 - They are not intended to be used in an application.
- DDS_LabCam
 - Constants for the creation of labeling CAMs.
- DDS_SdoAbortCodes
 - Constants for errors concerning reading and writing of parameters.
 - The reason is given in an output *AbortCode* that is available in several POU's.
- PSM_ErrorCodes
 - Constants for error codes of the Power Supply Module (PSM 510).
 - Error codes can be read using the function block *DD_ReadPsmError_PSM* and/or *DD_ReadPsmWarning_PSM*.
- PSM_TraceSignals
 - Constants for the trace signals of the Power Supply Module (PSM 510).
 - Intended to be used with the function block *DD_Trace_PSM*.
- DAM_ErrorCodes
 - Constants for error codes of the Decentral Access Module (DAM 510).
 - Error codes can be read using the function block *DD_ReadDamError_DAM* and/or *DD_ReadDamWarning_DAM*.
- DAM_TraceSignals
 - Constants for the trace signals of the Decentral Access Module (DAM 510).
 - Intended to be used with the function block *DD_Trace_DAM*.
- ACM_ErrorCodes
 - Constants for error codes of the Auxiliary Capacitors Module (ACM 510).
 - Error codes can be read using the function block *DD_ReadAcmError_ACM* and/or *DD_ReadAcmWarning_ACM*.
- ACM_TraceSignals
 - Constants for the trace signals of the Auxiliary Capacitors Module (ACM 510).
 - Intended to be used with the function block *DD_Trace_ACM*.

6.12.5 Instantiating AXIS_REF_DDS in TwinCAT®

Procedure

1. Create 1 instance of function block *AXIS_REF_DDS* (located in folder *DDS_Drive*) for the SDM 511/SDM 512 drive module or servo drive that has to be controlled or monitored.
2. Repeat step 1 for additional SDM 511/SDM 512 drive modules or servo drives.

Example:

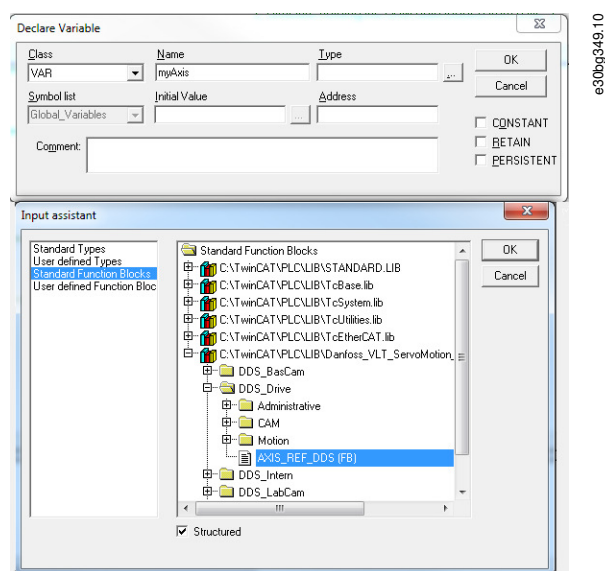


Illustration 73: Instantiation of *AXIS_REF_DDS*

6.12.6 Instantiating PSM_REF in TwinCAT®

Procedure

1. Create 1 instance of function block *PSM_REF* (located in folder *DDS_PSM*) for each Power Supply Module that has to be controlled or monitored.
2. Repeat step 1 for additional Power Supply Modules.

6.12.7 Instantiating DAM_REF in TwinCAT®

Procedure

1. Create 1 instance of function block *DAM_REF* (located in folder *DDS_DAM*) for each Decentral Access Module that has to be controlled or monitored.
2. Repeat step 1 for additional Decentral Access Modules.

6.12.8 Instantiating ACM_REF in TwinCAT®

Procedure

1. Create 1 instance of function block *ACM_REF* (located in folder *DDS_ACM*) for each Auxiliary Capacitors Module that has to be controlled or monitored.
2. Repeat step 1 for additional Auxiliary Capacitors Modules.

6.12.9 Adding a PLC Project to TwinCAT® System Manager

Context:

To create a link between the TwinCAT® PLC Control project and the TwinCAT® System Manager, connect the saved project, especially the inputs and outputs, to the TwinCAT® System Manager:

Procedure

1. To add the project information to the TwinCAT® System Manager, right-click on *PLC-Configuration* and select *Append PLC project...*
2. In the *Insert IEC 1131 Project* window, select the project information file according to the location on the hard drive. The file has the same name as the PLC project, but with the file extension *.tpy*.
3. Click on *Open*.

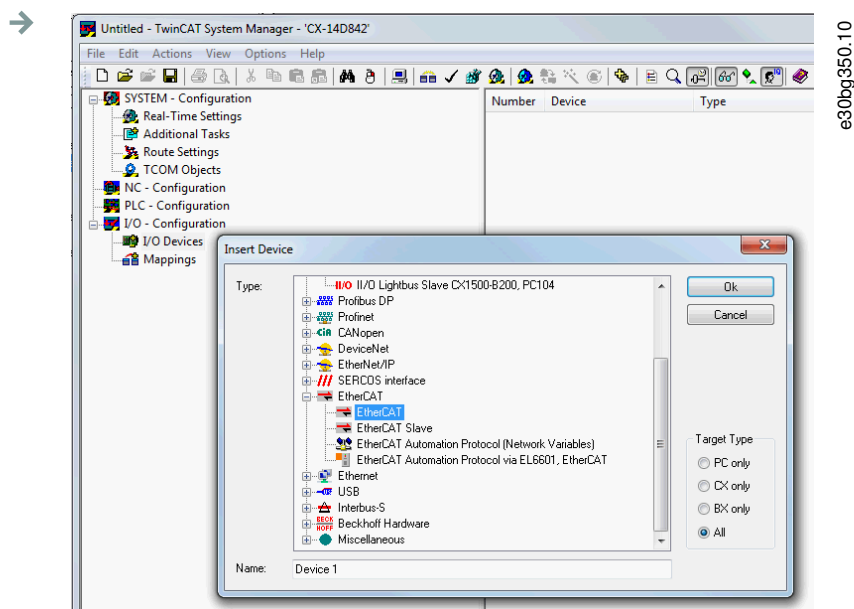
6.12.10 Importing Devices to TwinCAT®

Context:

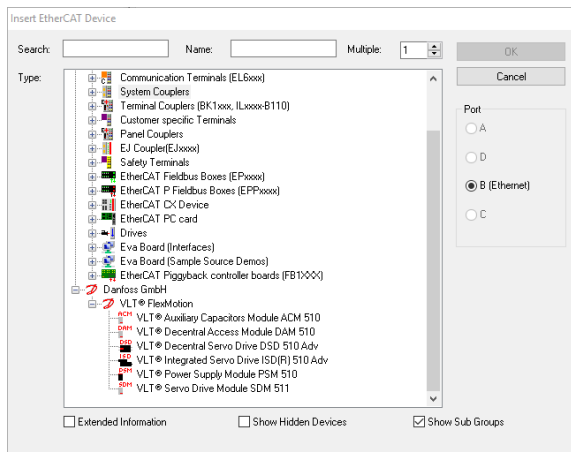
The following procedure is an example of how to import an ISD 510 servo drive to TwinCAT®.

Procedure

1. Copy the ESI file *Danfoss ISD 510 S.xml* into the folder *TwinCAT Installation Folder\Io\EtherCAT* on the hard drive. This only needs to be done once per project. The TwinCAT® System Manager automatically searches for ESI files at this location on the hard drive during start-up.
2. To add an EtherCAT® master, right-click on [I/O-Configuration → I/O Devices] and select *Append Device...*
3. In the following window, select [EtherCAT → EtherCAT] and click on *OK*.


Illustration 74: Add an EtherCAT Master to the Project

4. Select *Device 1 (EtherCAT)* and select the correct *Network Adapter* on the right side of the window in the *Adapter* tab.
5. To add a Power Supply Module, right-click on *Device1 (EtherCAT)* and select *Append Box...*
6. In the *Insert EtherCAT Device* window, select [Danfoss GmbH → VLT® FlexMotion → VLT® Power Supply Module PSM 510] and click on *OK*.
7. To add a Decentral Access Module, right-click on *Device1 (EtherCAT)* and select *Append Box...*
8. In the *Insert EtherCAT Device* window, select [Danfoss GmbH → VLT® FlexMotion → VLT® Decentral Access Module] and click on *OK*.
9. To add an Auxiliary Capacitors Module, right-click on *Device1 (EtherCAT)* and select *Append Box...*
10. In the *Insert EtherCAT Device* window, select [Danfoss GmbH → VLT® FlexMotion → VLT® Auxiliary Capacitors Module] and click on *OK*.
11. To add a servo drive to the Decentral Access Module DAM 510, right-click on *Box 1 (VLT® Decentral Access Module)* and select *Append Box...*
12. In the *Insert EtherCAT Device* window, select [Danfoss GmbH → VLT® FlexMotion → VLT® MSD 510 Integrated Servo Drive Standard] and click on *OK*.



e30bh517.10

Illustration 75: Add a Servo Drive to the Project

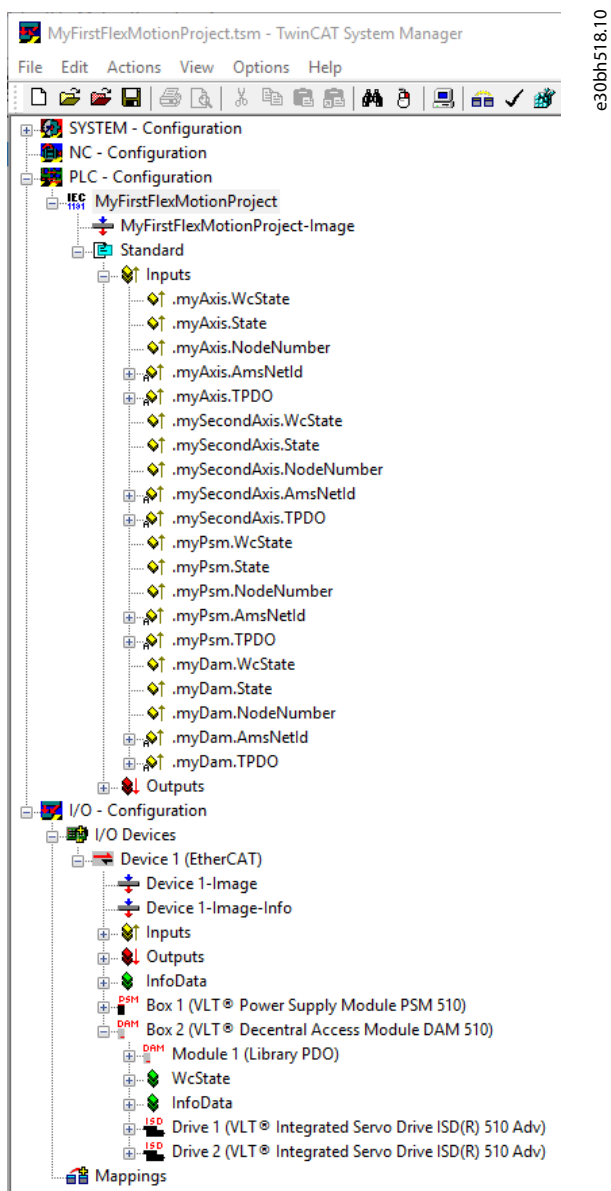


Illustration 76: TwinCAT System Manager after Appending the PLC Project and Adding a Decentral Access Module and 2 ISD 510 Servo Drives

13. Answer the question if the servo drive is used as an NC axis with No. If the servo drive is to be used as an NC axis, see [6.12.15 Configuration as a TwinCAT® NC Axis](#).

NOTICE

- Add 1 entry to the EtherCAT® master of the TwinCAT System Manager for each physical servo drive, PSM 510, DAM 510, and ACM 510. Add the servo drive to the correct DAM 510 line.

6.12.11 I/O Configuration and I/O Mapping

Context:

When connecting >1 SDM 511/SDM 512 drive module or servo drive, connect port C (X2) of the previous servo drive to port A (X1) of the next servo drive. Also carry out the port assignment for the Decentral Access Module (DAM 510).

If the hardware setup is already present, the TwinCAT® System Manager *Scan devices* function can be used to automatically add the connected devices to the configuration in the correct order.

Using the TwinCAT® System Manager, configure the SDM 511/SDM 512 drive module or servo drive so that the PDO mapping matches the requirements of the library.

Procedure (Example for an ISD 510 servo drive)

1. Click on the ISD 510 servo drive entry.
2. Select the *Slots* tab on the right side of the window.
3. Remove the current PDO configuration by selecting the entry *Module 1 (CSV PDO)* in the *Slot* box.
4. Click on *X*.
5. Select *Library PDO* in the *Module* box.
6. Click on *<*.

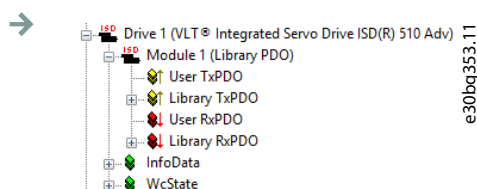


Illustration 77: ISD 510 Servo Drive with Correct I/O Configuration

6.12.12 Attaching the Input and Output Variables to the Physical Data Points

Context:

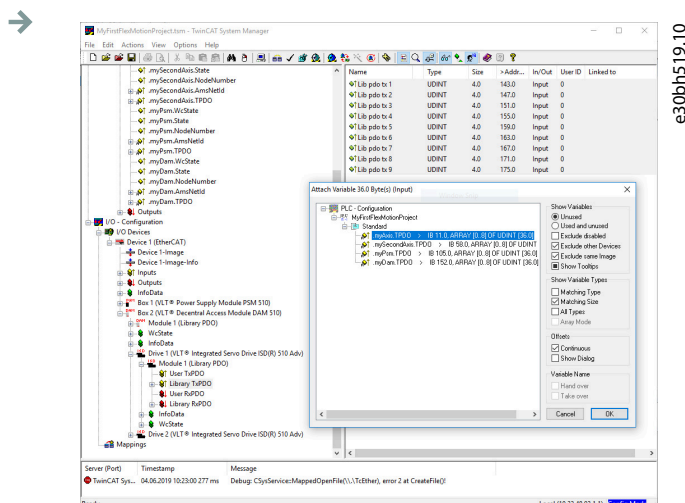
Use the TwinCAT® System Manager to attach the input and output variables of the PLC program to the physical inputs and outputs of the device. This ensures that the library has access to all necessary objects.

⚠ WARNING ⚠

- Repeat steps 2–22 for Box 1 (VLT® Power Supply Module) and the instance *myPSM*.
- Repeat steps 2–22 for Box 2 (VLT® Decentral Access Module) and the instance *myDAM*.

Procedure

1. Select *Library TxPDO* via menu [I/O-Configuration → I/O Devices → Device 1 (EtherCAT) → Box 1 (VLT Decentral Access Module) → Drive 1 (VLT ISD 510 Integrated Servo Drive) → Module 1 (Library PDO) → Library TxPDO].
2. Select all entries *Lib pdo tx1* to *Lib pdo tx9* on the right side of the window.


Illustration 78: Attaching Inputs and Outputs to the Physical Data Points

3. Right-click and select *Change Multi Link...*
4. In the *Attach Variable 36.0 Byte(s) (Input)* window, select [PLC-Configuration → MyFirstFlexMotionProject → Standard → .myAxis.TPDO]. Ensure that the *Matching Size* option is selected in the *Attach Variable* window.
5. Click on *OK*.
6. Click on library *RxPDO* via menu [I/O-Configuration → I/O Devices → Device 1 (EtherCAT™) → Box1 (VLT™ Decentral Access Module) → Drive2 (VLT™ ISD 510 Integrated Servo Drive) → Module1 (Library PDO) → Library RxPDO].
7. Select all entries *Lib pdo rx1* to *Lib pdo rx9* on the right side of the window.
8. Right-click and select *Change Multi Link...*
9. In the *Attach Variable 36.0 Byte(s) (Output)* window, select [PLC-Configuration → MyFirstIsd510Project → Standard → .myAxis.RPDO].
10. Click on *OK*.
11. Right-click on *WcState* via menu [I/O-Configuration → I/O Devices → Device 1 (EtherCAT™) → Box1 (VLT™ Decentral Access Module) → Drive2 (VLT™ ISD 510 Integrated Servo Drive) → WcState] and select *Change Link...*
12. In the *Attach Variable State (Input)* window, select [PLC-Configuration → MyFirstIsd510Project → Standard → .myAxis.WcState].
13. Click on *OK*.
14. Right-click on *State* via menu [I/O-Configuration → I/O Devices → Device 1 (EtherCAT™) → Box1 (VLT™ Decentral Access Module) → Drive2 (VLT™ ISD 510 Integrated Servo Drive) → InfoData] and select *Change Link...*
15. In the *Attach Variable State (Input)* window, select [PLC-Configuration → MyFirstIsd510Project → Standard → .myAxis.State].
16. Click on *OK*.
17. Right-click on *netId* via menu [I/O-Configuration → I/O Devices Device 1 (EtherCAT→) → Box1 (VLT® Decentral Access Module) → Drive2 (VLT→ ISD 510 Integrated Servo Drive) → InfoData → AdsAddr] and select *Change Link...*
18. In the *Attach Variable netId (Input)* window, select [PLC-Configuration → MyFirstIsd510Project → Standard → .myAxis.AmsNetId].
19. Click on *OK*.
20. Right-click on *Port* via [I/O-Configuration → I/O Devices → Device 1 (EtherCAT→) → Box1 (VLT→ Decentral Access Module) → Drive2 (VLT→ ISD 510 Integrated Servo Drive) → InfoData → AdsAddr] and select *Change Link...*

21. In the *Attach Variable port (Input)* window, select [PLC-Configuration → MyFirstIsd510Project → Standard → .myAxis.NodeNumber].
22. Click on *OK*.

6.12.13 Transferring the Mappings back to the PLC Program

To transfer the mappings back to the PLC program, select *Activate Configuration...* in menu item *Actions*.

After a rebuild in TwinCAT® PLC Control, the TwinCAT® configuration is according to [illustration 79](#) (here *myAxis* and *mySecondAxis* are instances of *AXIS_REF_DDS*, *myPSM* is an instance of *PSM_REF*, and *myDAM* is an instance of *DAM_REF*). The concrete addresses can be different.

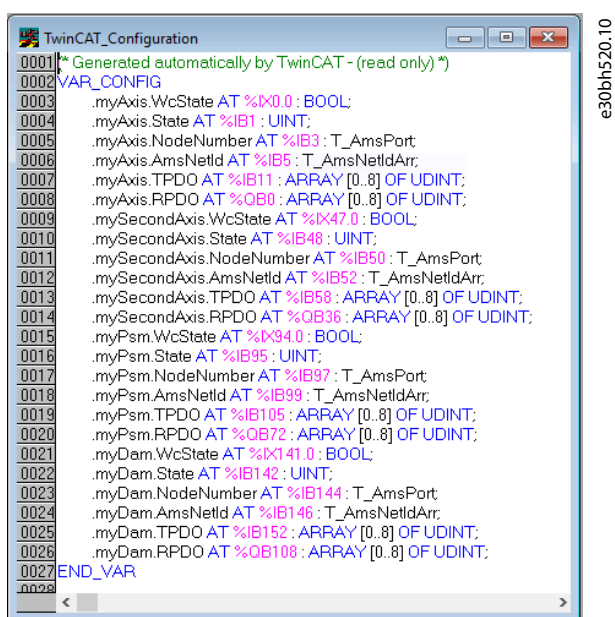


Illustration 79: TwinCAT® Configuration: I/O Mapping of 2 Servo Drives, 1 PSM 510, and 1 DAM 510

NOTICE

- Connect the PSM 510, DAM 510, ACM 510, and SDM 511/SDM 512 to 1 SYNC unit and the ISD 510/DSD 510 servo drives to another. This protects against interruptions in communication to the PSM 510 and DAM 510 if the U_{AUX} supply to the decentral servo drives is switched off due to an error.

6.12.14 Setting the PLC Cycle Time in TwinCAT® PLC Control

Context:

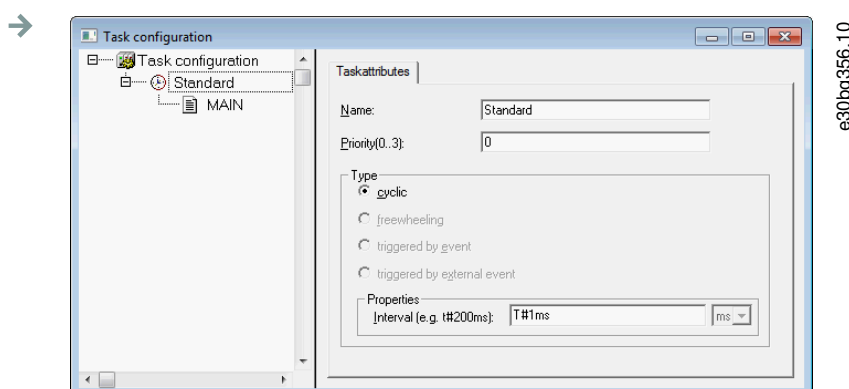
The minimum cycle time is 400 μs. The MSD 510 devices can run EtherCAT® cycle times in multiples of 400 μs or 500 μs. The devices are automatically parameterized by the PLC on start-up, depending on the EtherCAT® configuration of the physical interface. To access the system base time, select [SYSTEM-Configuration → Real-Time Settings] in the TwinCAT® System Manager. Multiples of this base time can then be used as EtherCAT® cycle times.

NOTICE

- Set the task cycle time of the PLC program to be the same as the EtherCAT® cycle time. Otherwise data may be lost and performance reduced.

Procedure

1. Double-click *Task configuration* in the *Resources* tab.
2. Ensure that the PLC cycle time is the same as the EtherCAT® cycle time.

**Illustration 80: Task Configuration to Parameterize the PLC Cycle Time**

NOTICE

- After changing the task cycle time in *TwinCAT® PLC Control*, carry out a *ReScan* of the PLC configuration inside the *TwinCAT® System Manager* to update the settings. Afterwards, activate the configuration in the PLC.

6.12.15 Configuration as a TwinCAT® NC Axis

Context:

The servo drives can be used with the built-in NC functionality of TwinCAT®. Everything that is related to the PSM 510 and DAM 510 must be done as described in [6.12.2 Creating a TwinCAT® Project](#).

Procedure

1. In addition to the *Danfoss_VLT_ServoMotion_V_x_y_z.lib* file, include the *TcMC2.lib* file.
2. Create 1 instance of *AXIS_REF* (instead of *AXIS_REF_DDS*) for each ISD 510/DSD 510 servo drive that is used as an NC axis.
3. Append the PLC project into the TwinCAT® System Manager, import the devices, and add them to TwinCAT®, however in the last step, answer the question if the servo drive is used as an NC axis with *Yes*. Then an NC task is created automatically.

6.12.15.1 I/O Configuration for Servo Drives used as NC Axes

Context:

In the TwinCAT® System Manager, select a different I/O Configuration for the servo drives used as NC axes.

Procedure

1. Depending on the mode of operation to be used, select either the slot *CSP PDO* or *CSV PDO*. Per default, *CSV PDO* is mapped and pre-selected. Map the following variables if the VLT® Multiaxis Servo Drive servo drive is required to work with *CSP PDO*:
In the *Settings* Tab of the NC Axis, select [NC-Configuration → NC-Task 1 SAF → Axes → Axis 1]. Click on the *Link To (all Types)...* button and select the desired servo drive.
2. In the same tab, select the preferred *Unit*.
3. Depending on the selected unit, adjust the *Scaling Factor* for the axis encoder via menu [NC-Configuration → NC-Task 1 SAF → Axes → Axis 1 → Axis 1_Enc] in the *Parameter* tab. Example: When the unit *Degrees* is selected, the scaling factor is $360^\circ/2^{20} = 0.00034332275390625$.
4. Set the *Reference Velocity* in the *Parameter* tab via menu [NC-Configuration → NC-Task 1 SAF → Axes → Axis 1 → Axis 1_Enc].
5. Set the *Output Scaling Factor (Velocity)* to 125.
6. Test the functionality and the configuration in the *Online* tab of the axis.

6.12.16 Connecting to the PLC

Information on how to connect to the PLC can be found in detail in the Beckhoff Information System .

Open the information system and go to [TwinCAT 2 → TwinCAT System Manager → Operation → Controls → Choose Target System].

6.13 Programming Guidelines for Automation Studio™ and TwinCAT®

Recommendations for implementation:

- Initialize parameters that usually do not change only once at the beginning of the program. In Automation Studio™, use the *_INIT* section.
- Call up function blocks that provide status or error information with *Enable* input at the beginning of the program.
- Use 1 instance of the function block *MC_Power_DDS* for every axis to control its power stage. Call up this function block in every PLC cycle.
- Use 1 instance of the function block *DD_Power_PSM* for every Power Supply Module to control the DC-link voltage on the output. Call up this function block in every PLC cycle.
- Use 1 instance of the function block *DD_Power_DAM* for every Decentral Access Module to control the DC-link voltage on the output. Call up this function block in every PLC cycle.
- Use 1 instance of the function block *DD_Power_ACM* for every Auxiliary Capacitors Module to control the connection between the DC-link and the ACM 510. Call up this function block in every PLC cycle.
- Call up function blocks that execute (motion) commands at the end of the program.
- Do not use any POU's from the library (folder) *DDS_Intern*.
- Do not change the reference to the axis on a function block while it is busy.

NOTICE

- The full parameter list can be found in the **VLT® Servo Drive System ISD 510, DSD 510, MSD 510 Programming Guide**.

6.14 Programming with SIMOTION SCOUT®

6.14.1 Requirements for Programming with SIMOTION SCOUT®

The following files are required to integrate the servo system modules into a SIMOTION SCOUT® project:

Table 19: Required Files

System Module	File required
Whole servo system	Package of libraries for the MSD 510 servo system: Danfoss_VLT_ServoMotion_V_x_y_z.zip
	Online Help file(.chm): Programming with SIMOTION SCOUT®
Servo Drive Module SDM 511/SDM 512 and ISD 510/DSD 510 servo drive	GSDML file (General station description): GSDML-V2.31-Danfoss-DDS-yyyyymmdd.xml
	GSDML file (General station description): GSDML-V2.31-Danfoss-PSM-yyyyymmdd.xml
Decentral Access Module DAM 510	GSDML file (General station description): GSDML-V2.31-Danfoss-DAM-yyyyymmdd.xml
	GSDML file (General station description): GSDML-V2.31-Danfoss-ACM-yyyyymmdd.xml

6.14.2 Connecting to the PLC

Information on how to connect to the PLC can be found in detail in the SIMOTION SCOUT® Help.

Open *SIMOTION SCOUT®* and go to [Help → Help Topics → Getting Started with SIMOTION SCOUT → Download the project to the target system → Connect to selected target devices → Go online].

6.14.3 Creating a SIMOTION SCOUT® Project

Information on how to install SIMOTION SCOUT® can be found in detail in the **SIMOTION SCOUT® Configuration Manual**.

NOTICE

- SIMATIC STEP 7 V5.5 or higher with HF11 must be installed to create a project.

Information on how to create a project in SIMOTION SCOUT® can be found in detail in the SIMOTION SCOUT® online help. Open SIMOTION SCOUT® and go to [Help → Help Topics → Getting started with SIMOTION SCOUT → Create SIMOTION device and configure PG/PC communication connection].

6.14.4 Including the Servo Motion Libraries into a SIMOTION SCOUT® Project

Context:

The folder *LIBRARIES* in the *Project* tab contains these libraries:

- DDS_Drive
 - Contains program organization units (POUs) defined by PLCopen® (name starting with MC_) and POUs defined by Danfoss (name starting with DD_). The Danfoss POUs provide additional functionality for the servo drive.
 - It is possible to combine POUs defined by PLCopen® with POUs defined by Danfoss.
 - The names of the POUs that target the SDM 511/SDM 512 drive modules and servo drives all end with _DDS.
- DDS_PSM
 - Contains POUs defined by Danfoss (name starting with DD_) and provide the functionality for the Power Supply Module (PSM 510).
 - The names of the POUs that target the PSM 510 all end with _PSM.
- DDS_DAM
 - Contains POUs defined by Danfoss (name starting with DD_) and provide the functionality for the Decentral Access Module (DAM 510).
 - The names of the POUs that target the DAM 510 all end with _DAM.
- DDS_ACM
 - Contains POUs defined by Danfoss (name starting with DD_) and provide the functionality for the Auxiliary Capacitors Module (ACM 510).
 - The names of the POUs that target the ACM 510 all end with _ACM.
- DDS_BasCam
 - Contains POUs for the creation of basic CAMs.
- DDS_LabCam
 - Contains POUs for the creation of labeling CAMs.
- DDS_Intern
 - Contains POUs that are needed internally for the libraries.
 - Do not use these POUs in an application.

When integrating the DDS_Drive package, some standard libraries are integrated automatically, unless they are already part of the project.

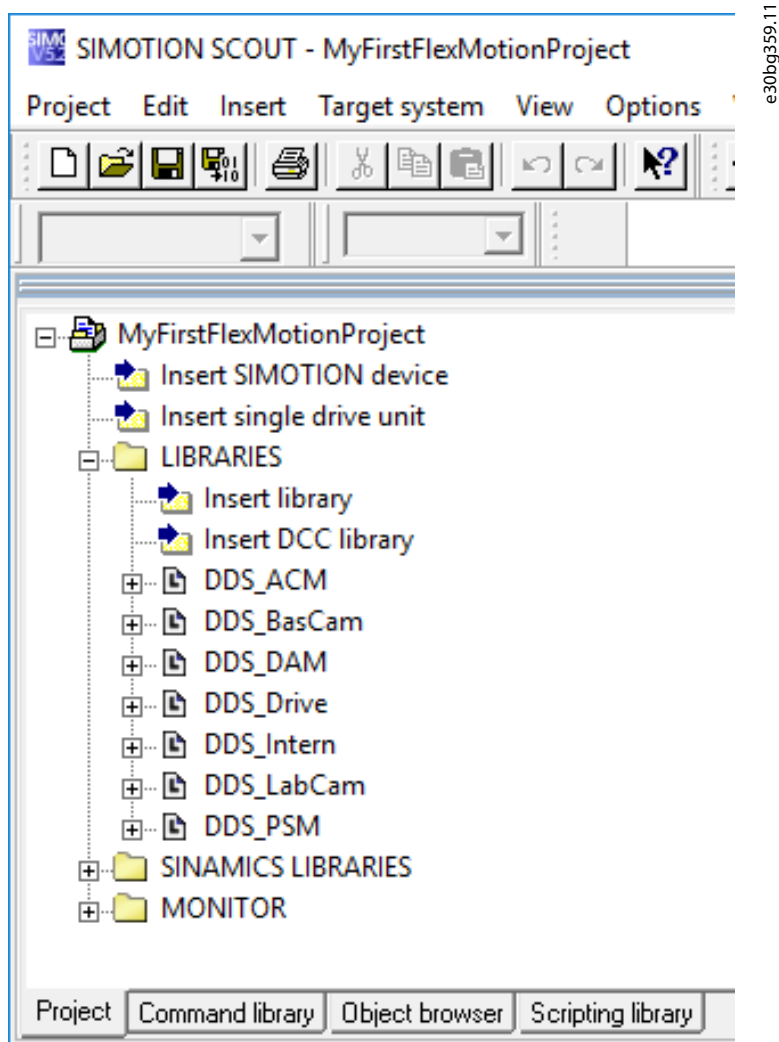


Illustration 81: Project Tree after Including Danfoss Servo Motion Libraries

NOTICE

- Do not remove or rename these libraries.

Procedure

1. Extract the files from the *Danfoss_VLT_ServoMotion_V_x_y_z.zip* file (according to the location on the hard drive).

The *DDS_Xxxx.xml* file and *XML_DDS_Xxxx* folder must be located together in the same folder to import the library.

2. In the *Project* tab, right-click on *LIBRARIES* and select [Export/import → Import folders/objects].

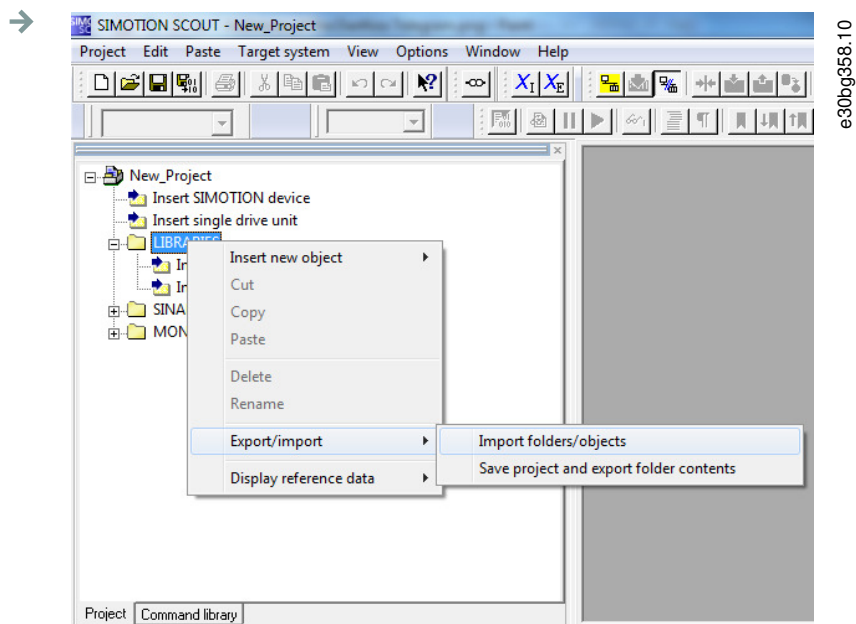


Illustration 82: Import Library

3. Select file *DDS_Intern.xml* according to the location on the hard drive.
4. Click on *OK*. Now the library is integrated into the SIMOTION SCOUT® project.
5. Repeat steps 2–4 for *DDS_BasCam.xml*, *DDS_Drive.xml*, *DDS_LabCam.xml*, *DDS_PSM.xml*, *DDS_DAM.xml*, and *DDS_ACM.xml*.

6.14.5 Importing Devices into SIMOTION SCOUT®

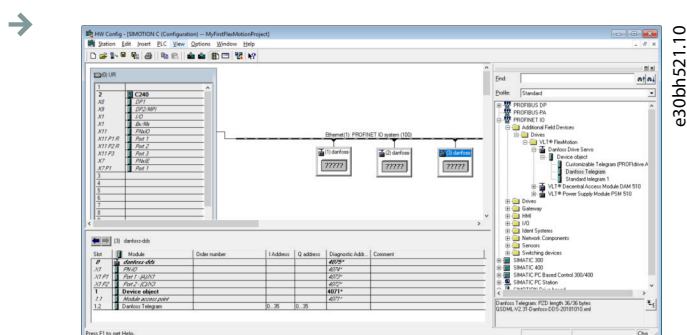
Context:

NOTICE

- For each physical servo drive, PSM 510, DAM 510, or ACM 510, add 1 entry to the PROFINET® Ethernet network in the *HW Config* tool.

Procedure

1. Open the *HW Config* tool.
2. Select [Options → Install GSD File...].
3. To add an SDM 511/SDM 512 drive module or servo drive, select one of the following xml files (according to the location on the hard drive) and click on *Install*.
 GSDML-V2.31-Danfoss-DDS-yyyyymmdd.xml
 GSDML-V2.32-Danfoss-DDS-yyyyymmdd.xml
 GSDML-V2.33-Danfoss-DDS-yyyyymmdd.xml
 GSDML-V2.34-Danfoss-DDS-yyyyymmdd.xml
4. Repeat steps 2 and 3 for:
 Power Supply Module (PSM 510): *GSDML-V2.31-Danfoss-PSM-yyyyymmdd.xml*
 Decentral Access Module (DAM 510): *GSDML-V2.31-Danfoss-DAM-yyyyymmdd.xml*
 Auxiliary Capacitors Module (ACM 510): *GSDML-V2.31-Danfoss-ACM-yyyyymmdd.xml*
5. Drag the device *Danfoss Drive Servo IRT* on to an existing PROFINET® Ethernet network.
 - ➔ Find the servo drive device named *Danfoss Drive Servo IRT* by expanding the *PROFINET IO* entry in the hardware catalog on the right side of the screen and selecting [Additional Field Devices → Drives → VLT® FlexMotion]. If the device is not visible, update the hardware catalog by selecting [Options → Update catalog].
6. Expand *Drive Object 1* and folder *Profile* in the hardware catalog on the right side of the screen and drag the *Danfoss Telegram* to the free slot of *Drive Object 1* at the bottom of the screen.


Illustration 83: Dragging the Danfoss Telegram to a Free Slot

7. To set the communication parameters, double-click on the icon depicting the servo drive in the main window showing the Ethernet network.
8. In the *General* tab, enter a name in field *Device name*.
9. In the *General* tab, click on the *Ethernet...* button to set the IP address of the servo drive and then click on *OK*.
10. Repeat steps 6–9 for:
 Power Supply Module (PSM 510): *VLT PSM IRT*
 Decentral Access Module (DAM 510): *VLT DAM IRT*
 Auxiliary Capacitors Module (ACM 510): *VLT ACM IRT*

6.14.6 Assigning IP Configuration and Device Name

Context:

NOTICE

- If more than 1 servo drive is used in the same PROFINET® network, each servo drive must have a different name and IP address.
- The IP address assignment is also required when using indirect communication via the VLT® Toolbox software (see the **VLT® Servo Drive System ISD 510, DSD 510, MSD 510 Programming Guide** for further information).

Procedure

1. Open menu [PLC → Ethernet → Edit Ethernet Node].
2. In the next window, click on *Browse*.



Illustration 84: Edit Ethernet Node

All accessible Ethernet nodes are shown in this window.

The ISD 510 servo drives are listed under device type *VLT® ISD 510*.

The DSD 510 servo drives are listed under device type *VLT® DSD 510*.

The SDM 511/SDM 512 servo drive modules are listed under device type *VLT® SDM 510*.

3. Select the desired servo drive and click on *OK* (use the *Flash* button to identify the specific servo drive).

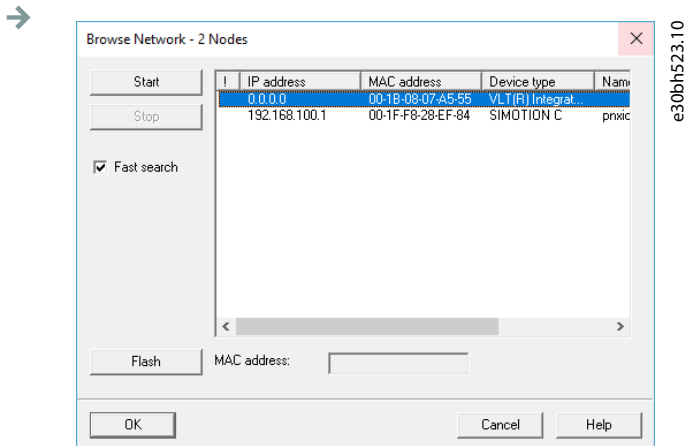


Illustration 85: Selecting the Servo Drive

- In the *Edit Ethernet Node* window, select the option *Use IP parameters*.
- Enter the *IP address* and *Subnet mask* and click on *Assign IP configuration*.

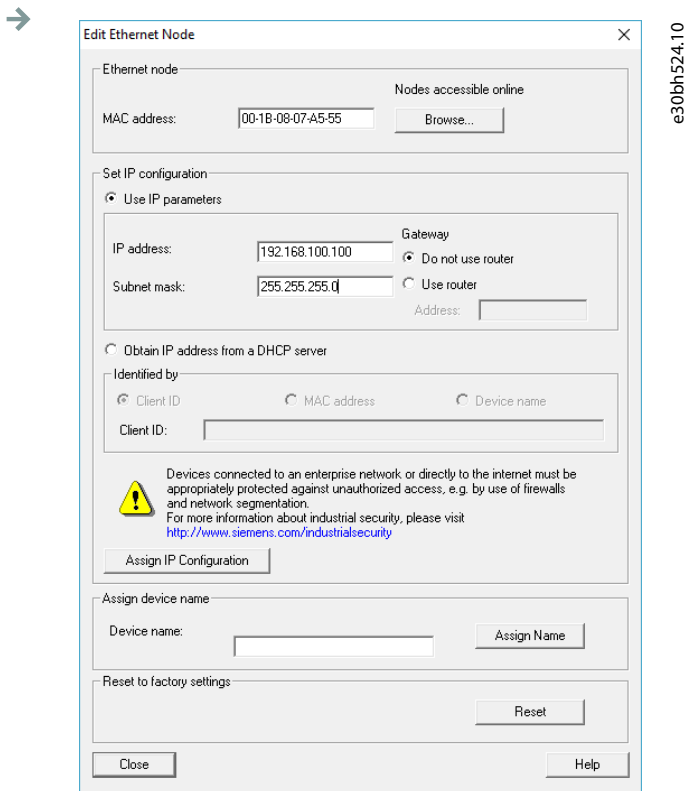


Illustration 86: Entering the IP Address and Assigning the IP Configuration

- Enter the device name that was previously selected and click on *Assign Name* and then *Close*.



e30bh525.10

Illustration 87: Assigning the Device Name

6.14.7 Creating a Sync Domain

Context:

A sync domain is a group of PROFINET® devices synchronized to a common cycle clock. One device has the role of the sync master (clock generator). All other devices are sync slaves.

NOTICE

- All devices that exchange data via Isochronous Real-Time (IRT) must belong to the same sync domain.

Procedure

1. Open the *HW Config* tool.
2. Select the station with the PROFINET® devices to be involved in IRT communication.
3. Select the PROFINET® I/O interface in the section *Station/I/O system*.
4. Select the menu [Edit → PROFINET IO → Domain management].

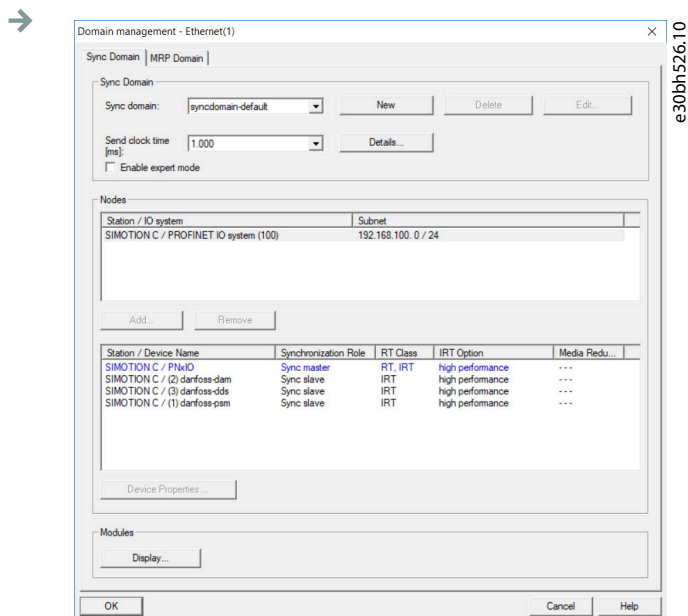


Illustration 88: Domain management

5. In the *Sync Domain* tab, select the station in the upper field of the *Nodes* section.
6. In the lower field of the *Nodes* section, double-click on the device that should be configured as the sync master.
7. When the *Device properties* window opens, select *Sync master* as *Synchronization role* and click on *OK*.

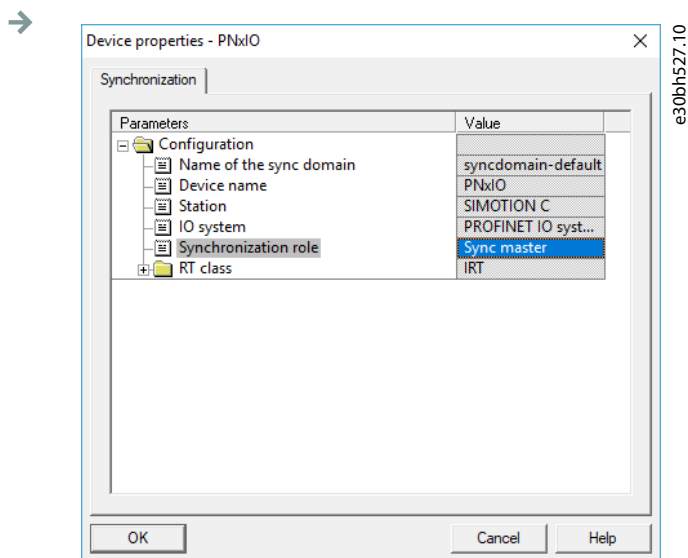


Illustration 89: Device properties: Sync Master

8. In the *Domain management* window, select all devices to be configured as sync slaves in the *Nodes* section (keep the *CTRL* key depressed to select >1 device).
9. Click on the *Device Properties* button.
10. In the *Device Properties* window, select *Sync slave* as *Synchronization role* and click on *OK*.

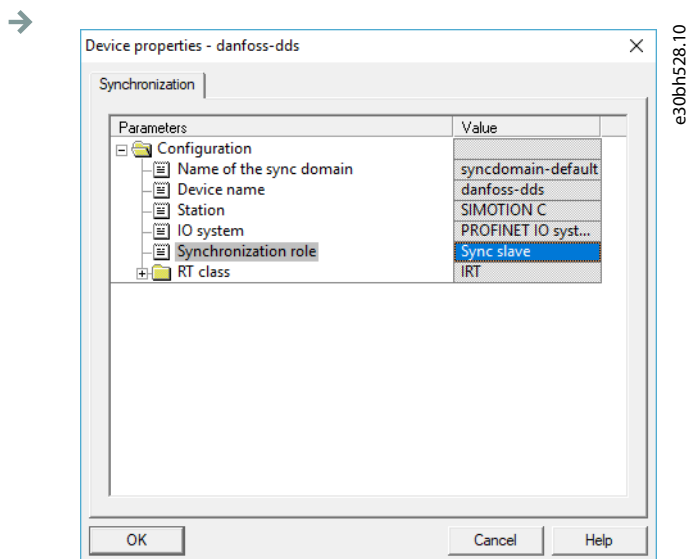


Illustration 90: Device properties: Sync Slave

11. In the *Domain management* window, click on *OK*.
12. Select the station with the PROFINET® devices.
13. Select the menu [Edit → Object Properties].
14. In the next window, open the *Isochronous Tasks* tab, select the isochronous mode for I/O data change, and click on *OK*.

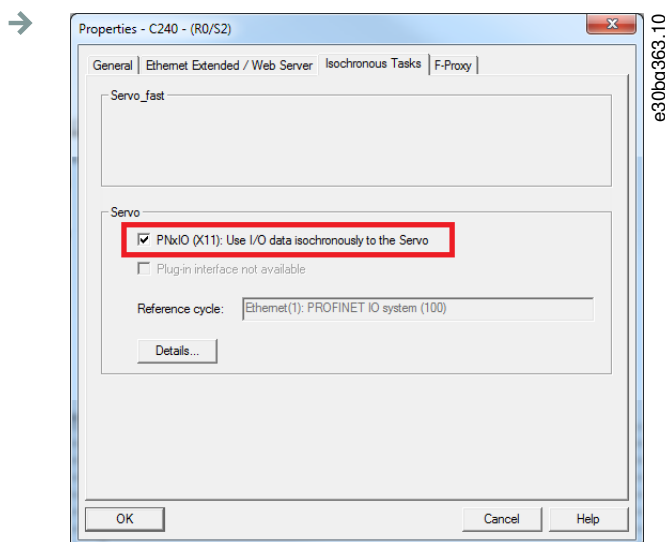


Illustration 91: Use I/O Data Isochronously to the Servo

15. Click on the *VLT® ISD 510 IRT* device.
16. Double-click on the *PN-IRT-Inteface* in the *Module*.
17. In the next window, open the *IO Cycle* tab and set field *Assign IO device in isochronous mode* to *Servo*.

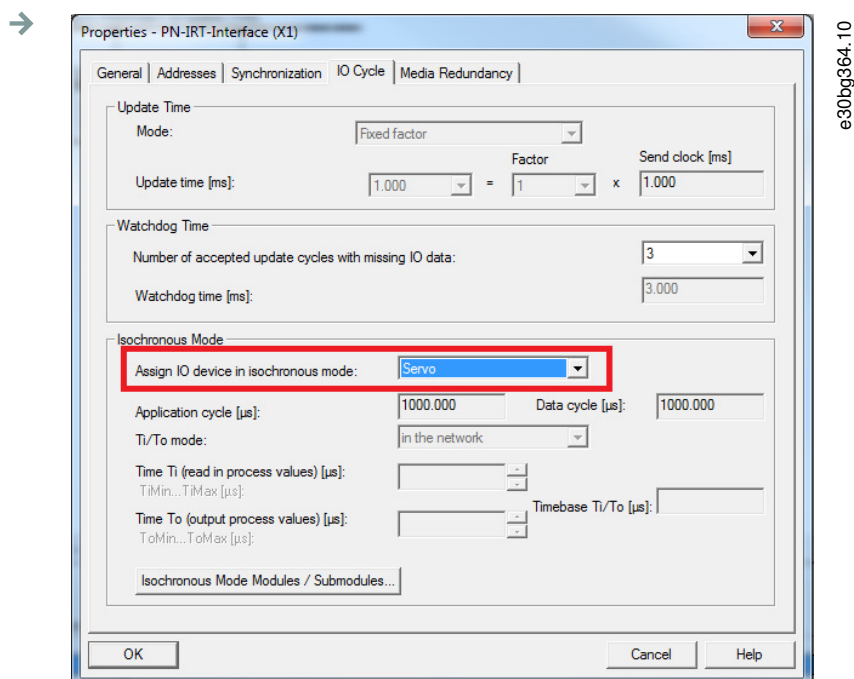


Illustration 92: Assign IO Device in Isochronous Mode

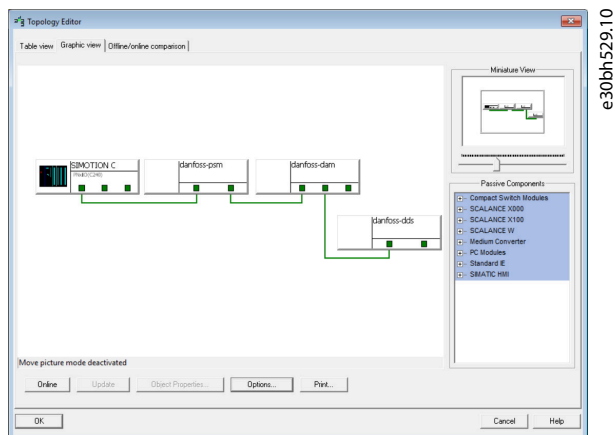
6.14.8 Configuring a Topology

Context:

The topology must be configured and parameterized.

Procedure

1. Open the *HW Config* tool.
2. Select the path for the PROFINET® I/O system or PROFINET® module, for example a Danfoss MSD 510 series.
3. Select the menu [Edit → PROFINET IO → Topology].
4. In the next window, select the *Graphic view* tab.

**Illustration 93: Graphic View Tab in Topology Editor**

5. Connect the PROFINET® device with the station. Establish connections between ports by holding down the left mouse button and drawing a line between the 2 ports.
6. Once all connections are made, click on *OK*.

6.14.9 Defining Send Clock and Update Time

6.14.9.1 Configuring the Send Clock Time

Procedure

1. Open the *HW Config* tool.
2. Select the station with the PROFINET® devices to be involved in IRT communication, for example PNxIO.
3. Select the menu [Edit → PROFINET IO → Domain management].
4. In the next window, open the *Sync Domain* tab and in the *Send clock time [ms]* field, select an appropriate time for the process, for example 1.000 ms, then click on *OK*.

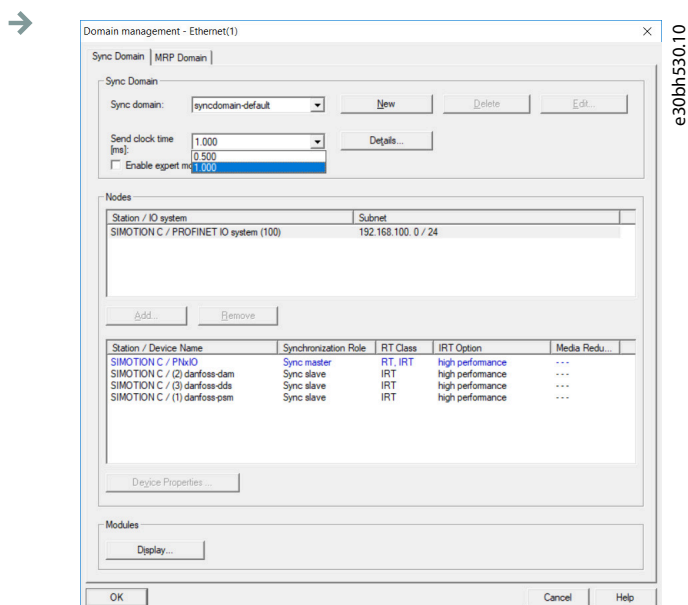


Illustration 94: Configuring a Send Clock for PROFINET® IRT

6.14.9.2 Configuring the Update Time

Procedure

1. Open the *HW Config* tool.
2. Select the path for the PROFINET® I/O system.
3. Select the menu [Edit → Object properties].
4. In the next window, open the *Update Time* tab, highlight the I/O device and click on the *Edit* button.
5. In the next window (*Edit Update Time/Mode*), select the *Update Time* and click on *OK*.

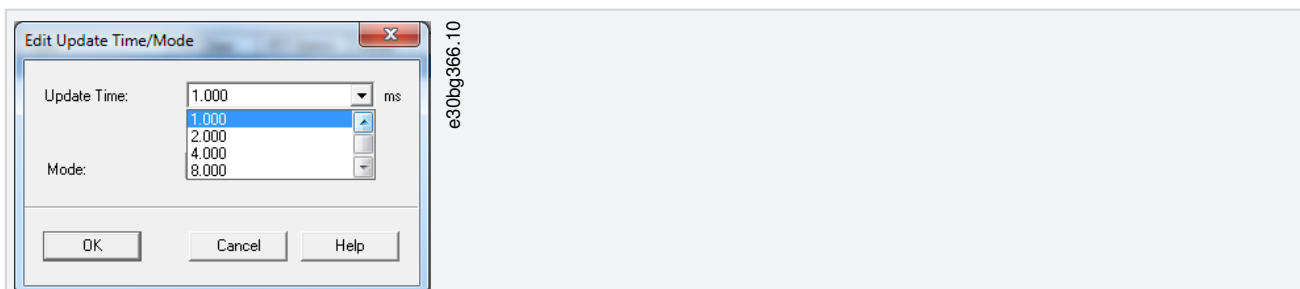


Illustration 95: Set Update Time

NOTICE

- The system cycle clocks of the PLC program must be the same as the PROFINET® send clock, otherwise data may be lost and performance reduced.

6.14.10 Accessing Inputs and Outputs

Context:

SIMOTION SCOUT® provides access to the device inputs and outputs of the SIMOTION device via the process image of cyclic tasks using I/O variables.

Procedure

1. Open the *Project* tab and double-click on the *ADDRESS LIST* element in the device subtree, for example *C240 [C240 PN]*.

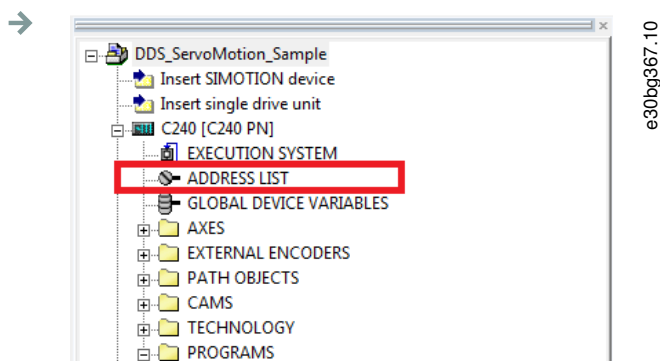


Illustration 96: Address List in the Project Navigator

2. In the next window (detailed view), create 1 variable for incoming and outgoing PPO data for each device.

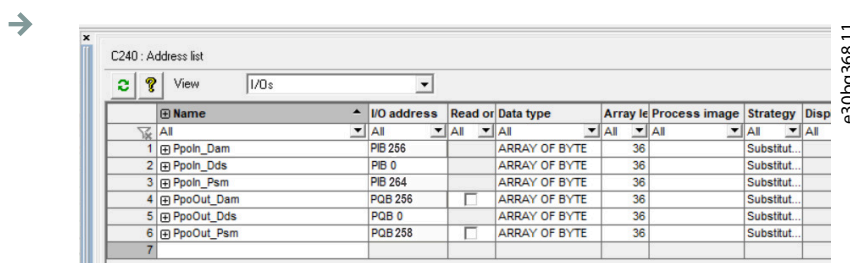


Illustration 97: Address List Detailed View

3. Set the following properties for each variable:

Name (of the I/O variable)

I/O address

Data type: ARRAY OF BYTE

Array length: 36

Process image: IPOsynchronousTask

NOTICE

- The I/O address must fit the configuration of the device in the *HW Config* tool.
- I/O variables can only be created in offline mode.

6.14.11 Programming using the Danfoss VLT® Servo Motion Library

Before using data types, functions, or function blocks from libraries, the following construct must be used in the interface section:

```
USELIB DDS_BasCam, DDS_Drive, DDS_LabCam, DDS_PSM, DDS_DAM, DDS_ACM;
```

More information on how to use data types, functions, and function blocks from libraries can be found in detail in the online help for SIMOTION SCOUT®. Open the SIMOTION SCOUT® and go to [Help → Help Topics → Programming → Integration of ST in SIMOTION → Using libraries → Using data types, functions and function blocks from libraries].

NOTICE

- Do not use the POU's, Constants, and User-Defined Data Types (UDT) that start with *iDD_* in an application.

6.14.12 Instantiating *AXIS_REF_DDS* in SIMOTION SCOUT®

Create 1 instance of *AXIS_REF_DDS* (located in folder *DDS_Drive*) for every servo drive that has to be controlled or monitored. Each instance of *AXIS_REF_DDS* is the logical representation of 1 physical servo drive.

NOTICE

- The instance of the *AXIS_REF_DDS* structure must be created as a global variable (variable in the interface section of a unit declared with *VAR_GLOBAL*).

In the *AXIS_REF_DDS* structure, only assign the variable *InputLogAddress* once at the beginning of the application program for each axis. This is to specify the input logical base address of the I/O module from the HW Config. For this initialization, use the system function *_getLogicalAddressOfVariable()*. Only assign the variable *InputLogAddress* once in the 1st PLC cycle for initialization.

In the *AXIS_REF_DDS* structure, assign the variable *Quality* at the beginning of the application program for each axis in every cycle. Use the system function *_quality.<I/Ovariable>*, whereby *<I/Ovariable>* is the variable containing the cyclic data that was assigned in the *ADDRESS LIST*. Carry out this assignment in every PLC cycle.

Call the function *DD_UpdateProcessInput_DDS* at the beginning of the application program for each device in every cycle. Call the function *DD_UpdateProcessOutput_DDS* at the end of the application program for each device in every cycle.

NOTICE

- Only create instructions and other program parts between the calls of *DD_UpdateProcessInput* and *DD_UpdateProcessOutput*.

6.14.13 Instantiating *PSM_REF* in SIMOTION SCOUT®

Create 1 instance of *PSM_REF* (located in folder *DDS_PSM*) for every Power Supply Module (PSM 510) that has to be controlled or monitored. Each instance of *PSM_REF* is the logical representation of 1 physical PSM.

NOTICE

- The instance of the *PSM_REF* structure must be created as a global variable (variable in the interface section of a unit declared with *VAR_GLOBAL*).

In the *PSM_REF* structure, assign the variable *Quality* at the beginning of the application program for each Power Supply Module in every cycle. Use the system function *_quality.</Ovariable>*, whereby *</Ovariable>* is the variable containing the cyclic data that was assigned in the *ADDRESS LIST*. Carry out this assignment in every PLC cycle.

Call the function *DD_UpdateProcessInput_PSM* at the beginning of the application program for each device in every cycle. Call the function *DD_UpdateProcessOutput_PSM* at the end of the application program for each device in every cycle.

NOTICE

- Only create instructions and other program parts between the calls of *DD_UpdateProcessInput* and *DD_UpdateProcessOutput*.

6.14.14 Instantiating DAM_REF in SIMOTION SCOUT®

Create 1 instance of *DAM_REF* (located in folder *DDS_DAM*) for every Decentral Access Module (DAM 510) that has to be controlled or monitored. Each instance of *DAM_REF* is the logical representation of 1 physical DAM.

NOTICE

- The instance of the *DAM_REF* structure must be created as a global variable (variable in the interface section of a unit declared with *VAR_GLOBAL*).

In the *DAM_REF* structure, assign the variable *Quality* at the beginning of the application program for each Decentral Access Module in every cycle. Use the system function *_quality.</Ovariable>*, whereby *</Ovariable>* is the variable containing the cyclic data that was assigned in the *ADDRESS LIST*. Carry out this assignment in every PLC cycle.

Call the function *DD_UpdateProcessInput_DAM* at the beginning of the application program for each device in every cycle. Call the function *DD_UpdateProcessOutput_DAM* at the end of the application program for each device in every cycle.

NOTICE

- Only create instructions and other program parts between the calls of *DD_UpdateProcessInput* and *DD_UpdateProcessOutput*.

6.14.15 Instantiating ACM_REF in SIMOTION SCOUT®

Create 1 instance of *ACM_REF* (located in folder *DDS_ACM*) for every Auxiliary Capacitors Module (ACM 510) that has to be controlled or monitored. Each instance of *ACM_REF* is the logical representation of 1 physical ACM.

NOTICE

- The instance of the *ACM_REF* structure must be created as a global variable (variable in the interface section of a unit declared with *VAR_GLOBAL*).

In the *ACM_REF* structure, assign the variable *Quality* at the beginning of the application program for each Auxiliary Capacitors Module in every cycle. Use the system function *_quality.</Ovariable>*, whereby *</Ovariable>* is the variable containing the cyclic data that was assigned in the *ADDRESS LIST*. Carry out this assignment in every PLC cycle.

Call the function *DD_UpdateProcessInput_ACM* at the beginning of the application program for each device in every cycle. Call the function *DD_UpdateProcessOutput_ACM* at the end of the application program for each device in every cycle.

NOTICE

- Only create instructions and other program parts between the calls of *DD_UpdateProcessInput* and *DD_UpdateProcessOutput*.

6.14.16 Global Compiler Settings

Context:

Activate the global compiler settings *Permit language extensions*.

Procedure

1. Open the menu [Options → Settings].
2. In the next window, select the *Compiler* tab.
3. Activate the checkbox *Permit language extensions* and click on *OK*.

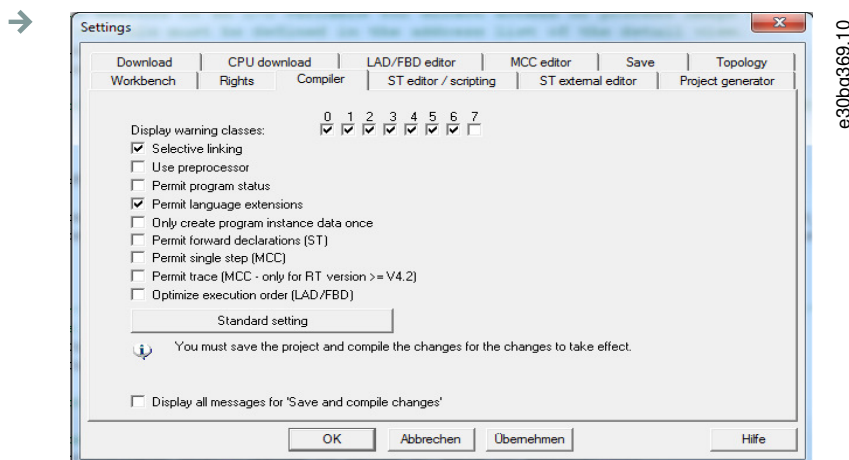


Illustration 98: Global Compiler Settings

6.14.17 Assigning Tasks

Context:

To guarantee synchronous operation, the application must use a *Synchronous Task* and a *Peripheral Fault Task* to evaluate the alarms.

Procedure

1. Open the *Project* tab.
2. Double-click on *EXECUTION SYSTEM* in the device subtree.

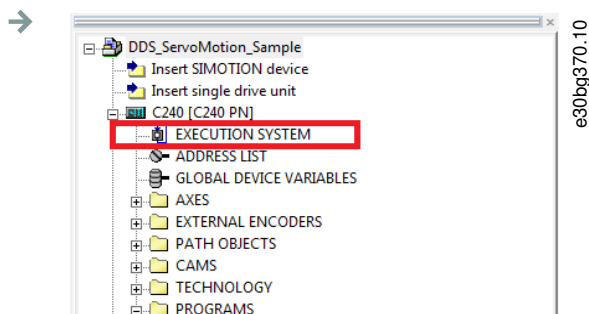


Illustration 99: Execution System in the Project Navigator

3. In the next window, expand entry *Execution levels* and then select *OperationLevels* and then *SynchronousTask* in the tree structure.
4. In the *SynchronousTask* window, activate checkbox *Use task in execution system*.
5. Click on the new entry *IPOSynchronousTask* in the tree structure.
6. In the *Program assignment* area at the left side of the *Synchronous Task* window, assign the program by selecting it and clicking on the [$>>$] button. The program will then be moved to the *Programs used* section on the right side.

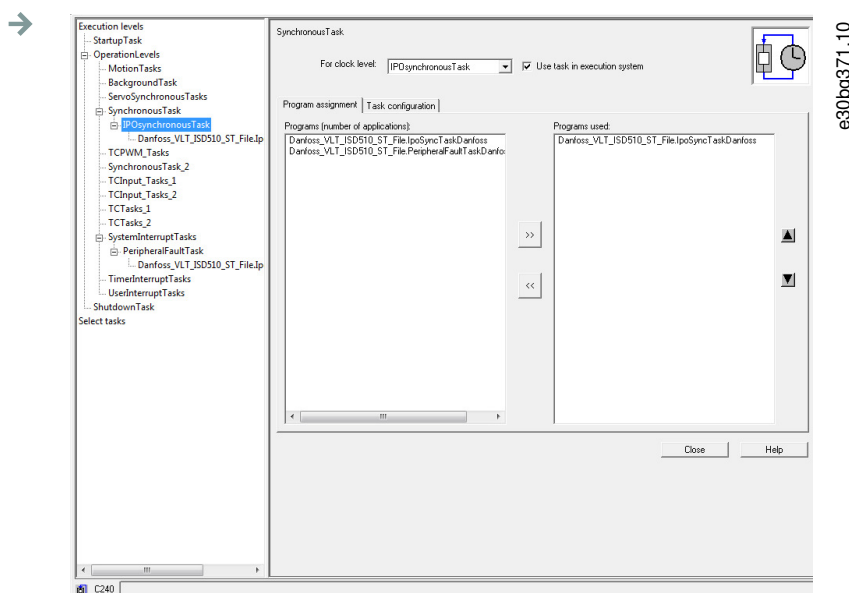


Illustration 100: IPOSynchronousTask in Execution System

7. In the *Task configuration* tab, set the *Number of level overflows in the IPO cycle clock* to **1** and the *IPOSynchronousTask / IPO cycle clock* to **50%**.

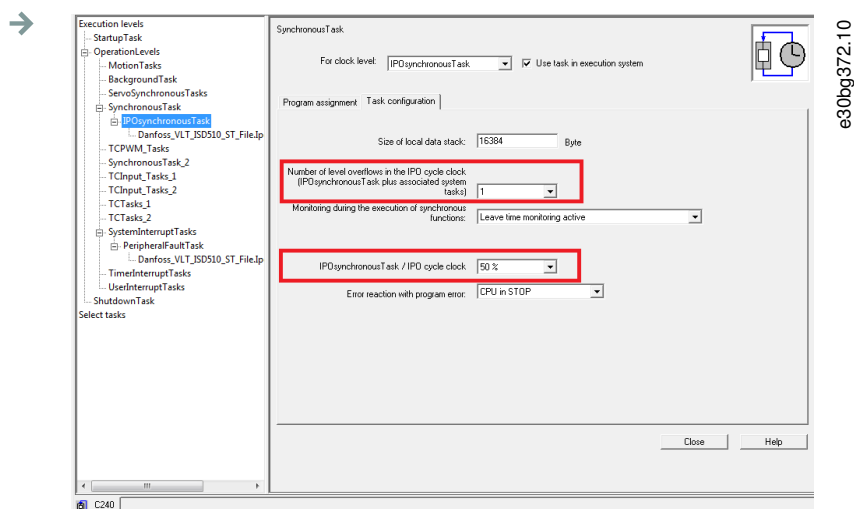


Illustration 101: IPOSynchronousTasks Configuration

8. Expand entry *SystemInterruptTasks* in the tree structure and select the new entry *PeripheralFaultTask*.
9. In the *PeripheralFaultTask* window, activate checkbox *Use task in execution system*.
10. In the *Program assignment* area at the left side of the *PeripheralFaultTask* window, assign the program by selecting it and clicking on the [$>>$] button. The program will then be moved to the *Programs used* section on the right side.
11. Click on *Close* to save and compile the settings.

6.15 Programming Guidelines for SIMOTION SCOUT®

Recommendations for implementation:

- Only assign the variable *InputLogAddress* in the *AXIS_REF_DDS* structure once for each axis at the beginning of the program. Use the system function *_getLogicalAddressOfI/OVariable* to get this address from the I/O variable of the address list. Use the input address of the module as the I/O variable. Only assign this variable in the 1st PLC cycle for initialization.
- Initialize parameters that usually do not change only once at the beginning of the program.
- Only assign the variable *Quality* in the *AXIS_REF_DDS* structure once for each axis at the beginning of the program. Use the system function *_quality.var-name*. Carry out this check for every PLC cycle.
- Call up the function blocks *DD_UpdateProcessInput_DDS* and *DD_UpdateProcessOutput_DDS* for every axis to update the process image partition of inputs and outputs. Call up these function blocks in every PLC cycle.
- Only create instructions and other program parts between calling up function blocks *DD_UpdateProcessInput_DDS* and *DD_UpdateProcessOutput_DDS*.
- Call up function blocks that provide status or error information with Enable input at the beginning of the program.
- Use 1 instance of function block *MC_Power_DDS* for every axis to control its power stage. Call up this function block in every PLC cycle.
- Use 1 instance of function block *DD_Power_PSM* for every Power Supply Module (PSM 510) to control the DC-link voltage on the output lines. its power stage. Call up this function block in every PLC cycle.
- Use 1 instance of function block *DD_Power_DAM* for every Decentral Access Module (DAM 510) to control the DC-link voltage on the output lines. its power stage. Call up this function block in every PLC cycle.
- Use 1 instance of function block *DD_Power_ACM* for every Auxiliary Capacitors Module (ACM 510) to control the DC-link voltage on the output lines. its power stage. Call up this function block in every PLC cycle.
- Call up function blocks that execute (motion) commands at the end of the program.
- Do not use any UDTs, POUs, enumerations, or constants starting with the prefix *iDD_*.
- Do not change the reference to the axis on a function block while it is busy.

6.16 VLT® Servo Toolbox Software

6.16.1 Overview

The VLT® Servo Toolbox is a standalone PC software designed by Danfoss. It is used for parameterization and diagnostics of the system modules. It is also possible to operate the devices in a non-productive environment.

The VLT® Servo Toolbox contains several subtools, which provide various functionalities.

Table 20: Important Subtools

Subtool	Description
Scope	For visualization of the tracing functionality of the servo drives, the Power Supply Module (PSM 510), the Decentral Access Module (DAM 510), and the Auxiliary Capacitors Module (ACM 510).
Parameter list	For reading/writing parameters.
Firmware update	For updating the firmware on the devices.
Drive control	For operating the servo drives for testing purposes.
PSM control	For operating the Power Supply Module (PSM 510) for testing purposes.
DAM control	For operating the Decentral Access Module (DAM 510) for testing purposes.
ACM control	For operating the Auxiliary Capacitors Module (ACM 510) for testing purposes.
CAM editor	For designing CAM profiles for the servo drives.
Configuration parameter	For setting up the motor and feedback parameters, and PID settings.
Drive commissioning	For motor feedback adjustment and inertia measurement.

The detailed description of the VLT® Servo Toolbox functionality and the full parameter lists can be found in the **VLT® Servo Drive System ISD 510, DSD 510, MSD 510 Programming Guide**.

6.16.2 System Requirements

To install the VLT® Servo Toolbox software, the PC must meet the following requirements:

- Supported hardware platforms: 32-bit, 64-bit.
- Supported operating systems: Windows 7, Windows 8.1, Windows 10.
- .NET framework version: 4.7.
- Minimum hardware requirements: 512 MB RAM, Intel Pentium 4 with 2.6 GHz or equivalent, 20 MB hard disk space.
- Recommended hardware requirements: Minimum 1 GB RAM, Intel Core i5/i7 or compatible.

6.16.3 Installing the VLT® Servo Toolbox Software

Context:

Administrator rights are required to install the software with the Windows operating system. If necessary, contact your system administrator.

Procedure

1. Check that your system meets the system requirements specified in [6.16.2 System Requirements](#).
2. Download the VLT® Servo Toolbox installation file from the Danfoss website.
3. Right-click on the .exe file and select *Run as administrator*.
4. Follow the on-screen instructions to complete the installation process.

6.16.4 VLT® Servo Toolbox Communication

6.16.4.1 Overview

This chapter describes the Ethernet-specific network interface settings needed by the VLT® Servo Toolbox. There are 2 basic communication methods: direct communication and indirect communication. Their particular network settings are described in the respective sections.

Read and perform the steps with care. Incorrect network configurations can lead to loss of connectivity of a network interface.

6.16.4.2 Firewall

Depending on the firewall settings and the fieldbus used, the messages sent and received by the VLT® Servo Toolbox may be blocked by the firewall on the VLT® Servo Toolbox host system. This may lead to a loss of communication and the inability to communicate with the devices on the fieldbus. Therefore, ensure that the VLT® Servo Toolbox is allowed to communicate through the firewall on the VLT® Servo Toolbox host system. Inappropriate changes to firewall settings may lead to security issues.

NOTICE

- When using a dedicated network interface, the VLT® Servo Toolbox must be allowed to communicate specifically through this network interface.

6.16.4.3 Indirect Communication

6.16.4.3.1 Overview

Communication between MSD 510 devices and the VLT® Servo Toolbox through a PLC is called indirect communication. Ethernet-based fieldbus communication (marked A in the graphic) takes place between the PLC and the MSD 510 devices. However there is non-fieldbus communication between the PLC and the VLT® Servo Toolbox host system (marked B in the graphic).

In the scenario in the graphic, the PLC has the master function and uses cyclic communication with the devices. Therefore, not all functionalities of the VLT® Servo Toolbox, for example the drive control, can be used.

The restrictions when using indirect communication are detailed in the **VLT® Servo Drive System ISD 510, DSD 510, MSD 510 Programming Guide**.

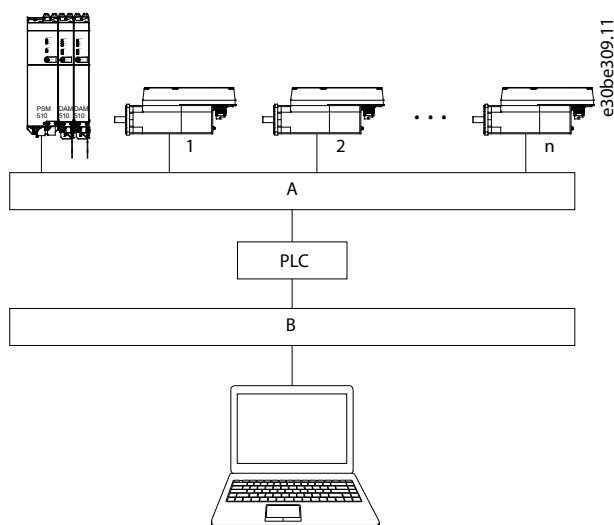


Illustration 102: Logical View of Indirect Ethernet-based Fieldbus Communication (Communication via PLC)

NOTICE

- The logical view only shows the connectivity from a high-level software perspective and does not reflect the actual physical topology of the network.

6.16.4.3.2 Network Settings for Indirect Communication

Any network interface can be used to communicate through a PLC. A dedicated network interface is not required.

When establishing the communication through a PLC, the VLT® Servo Toolbox configures a routing table using the selected Network Address Translation (NAT). Adding a route to the Windows routing table requires administrator privileges. Therefore, administrator credentials may be requested when initializing the connection.

6.16.4.3.3 Enabling Indirect Communication

Context:

Carry out the following steps to enable indirect communication.

NOTICE

When observing the network packets via Wireshark®, checksum offloading often causes confusion as the network packets to be transmitted are handed over to Wireshark® before the checksums have been calculated. Wireshark® shows these empty checksums as invalid, even though the packets contain valid checksums when they leave the network hardware later. Use 1 of these 2 methods to avoid this checksum offloading problem:

- Turn off the checksum offloading in the network driver if possible.
- Turn off the checksum validation of the specific protocol in the Wireshark® preferences.

Disable IPv6 on the network interfaces used for communication on the PC:

Procedure

1. Open the *Network and Sharing Center*.
2. Select *Change adapter settings*.
3. Right-click on the network interface used for fieldbus communication and select *Properties*.
4. If the TCP/IPv6 is available for the network interface, disable it.

6.16.4.3.4 Additional Settings for Indirect Communication with EtherCAT®

Context:

Set the IP address of the EtherCAT® Master:

Procedure

1. Open the TwinCAT® System Manager.
2. Select [I/O-Configuration → I/O Devices → Device1 (EtherCAT®)] and check the IP-address in the *Adapter* tab. The IP-address of the PLC's network adapter may not be a link-local address (so not in the range of 169.254.0.1 to 169.254.255.254).
3. If necessary, change the IP-address inside the IPv4 Protocol properties according to the given operating system. This can be done on the controller locally or via *Remote Desktop*.

6.16.4.3.5 Activating the IP Routing in the EtherCAT® Master

Context:

The procedure described here may vary depending on the type of PLC and operating system installed.

Procedure

1. Open the TwinCAT® System Manager.
2. Click on *Advanced Settings...* via menu [I/O-Configuration → I/O Devices → Device1 (EtherCAT)] in the *EtherCAT* tab.
3. Select *EoE Support* in the *Advanced Settings* window.
4. Enable *Connect to TCP/IP Stack* in the *Windows Network* section.
5. Enable *IP Enable Router* in the *Windows IP Routing* section.
6. Reboot the PLC for the changes to take effect.

6.16.4.3.6 Setting the IP Address of the EtherCAT® Slave

Context:

The procedure for setting the IP Address of the EtherCAT® slave is valid for:

- ISD 510/DSD 510 servo drives
- Power Supply Module (PSM 510)
- Decentral Access Module (DAM 510)
- Auxiliary Capacitors Module (ACM 510)
- Servo Drive Module SDM 511/SDM 512

NOTICE

- The last number of the IP address is the ID that is used in the VLT® Servo Toolbox to identify the device.

Procedure

1. Open the TwinCAT® System Manager.
2. Click on Advanced Settings... under [I/O-Configuration → I/O Devices → Device1 (EtherCAT) → Box 1 (VLT® Decentral Access Module → Drive 2 (VLT® Integrated Servo Drive ISD 510)] in the EtherCAT® tab.
3. Select [Mailbox → EoE] in the *Advanced Settings* window.
4. Enable *Virtual Ethernet Port* and enter a valid IP-address.
5. Each slave in the configuration requires an IP-address. This address is reassigned with every transition from *INIT* to *Pre-Operational* state of the slave state machine. The IP communication of the slaves is deactivated per default.

6.16.4.3.7 Additional Settings for Indirect Communication with PROFINET®

6.16.4.3.7.1 Overview

Each PROFINET® device needs a device name and an IP address. The IP address and the device name are assigned by the I/O controller, when the connection to the I/O device is established.

For the automatic detection of accessible nodes via a PG/PC interface with TCP/IP, connect the nodes to the same physical Ethernet subnet as the PG/PC. If a node is located in a different physical Ethernet subnet, the IP address of the sought node can be specified.

To reach further nodes, accessible nodes provide the capability of adding IP addresses and subnets to the PG/PC interface. The new IP addresses and subnets are then added to the Ethernet interface of the PG/PC.

6.16.4.3.7.2 Adding IP Addresses and Subnets

Procedure

1. Open SIMOTION SCOUT®.
2. Select the menu [Project → Accessible notes].
3. If accessible nodes are found in another subnet, the *Add IP addresses / subnet masks* window is displayed and shows them.

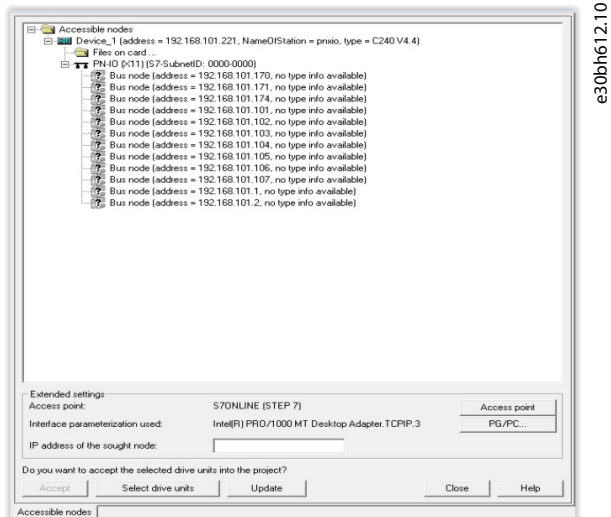


Illustration 103: Accessible Nodes

4. Click on Yes to accept the addresses.
5. The IP address/subnet mask is now added.

→ **NOTICE**

- If more than one Danfoss servo drive is used in the same PROFINET® network, each servo drive must have a different name and IP address.
- The last number of the IP address is the ID that is used in the VLT® Servo Toolbox software to identify the device.
- When the *Accessible nodes* tab is closed, the addresses are retained. The newly added addresses are only discarded when SIMOTION SCOUT® is closed.

6.16.4.4 Direct Communication

6.16.4.4.1 Overview

For Ethernet-based fieldbus communication (direct communication), the VLT® Servo Toolbox must use a dedicated network interface on the VLT® Servo Toolbox host system. Do not use this network interface simultaneously for any other communication.

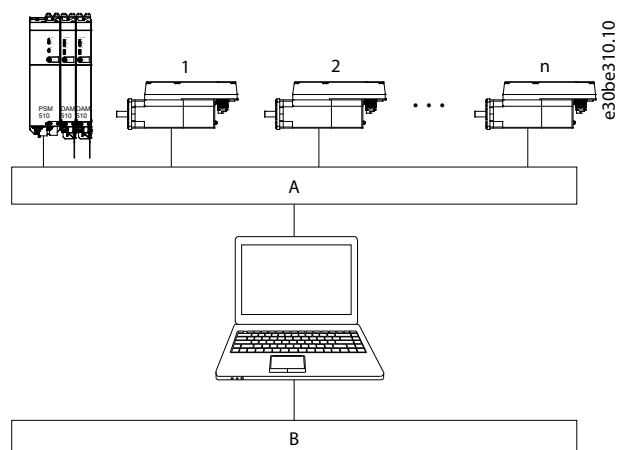


Illustration 104: Logical View of Direct Ethernet-based Fieldbus Communication

⚠ WARNING ⚠

- The logical view only shows the connectivity from a high-level software perspective and does not reflect the actual physical topology of the network.

6.16.4.4.2 Network Settings for Direct Communication with Ethernet POWERLINK®

Disable all network protocols except TCP/IPv4 on the network interface used for direct Ethernet POWERLINK® communication. This prevents other PC software or the operating system using this network interface for other tasks, such as file and printer sharing and network discovery. Disabling these protocols reduces the number of non-relevant packets sent over the network interface and thus reduces the overall network load.

6.16.4.4.3 Disabling Unused Protocols on the Network Interface on the PC

Procedure

1. Open the *Network and Sharing Center*.
2. On the left, click on *Change adapter settings*.
3. Right-click on the network interface used for fieldbus communication and select *Properties*.
4. Uncheck all checkboxes except the one for *Internet Protocol Version 4 (TCP/IPv4)*.
5. Disable the *IPv4 Checksum offload* on the network interfaces as described in [6.16.4.3.2 Network Settings for Indirect Communication](#).

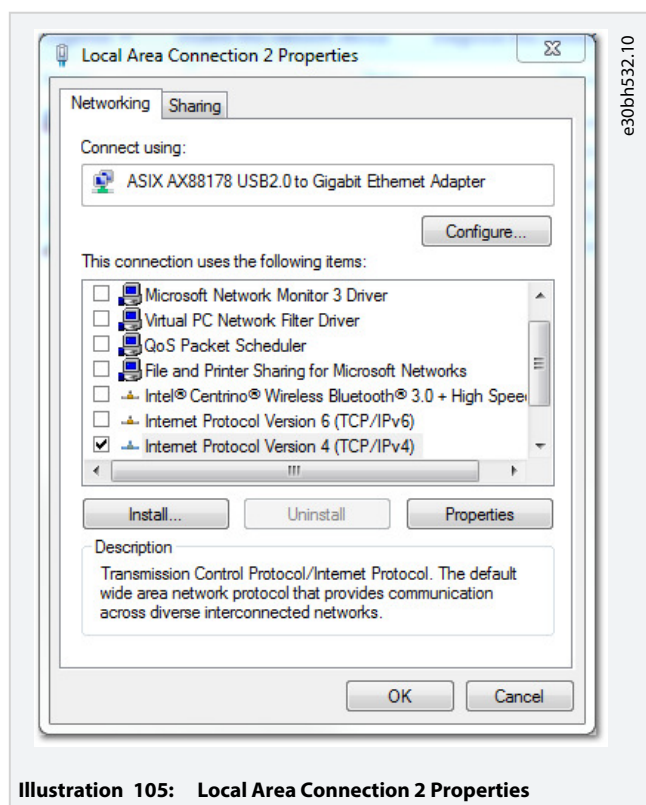
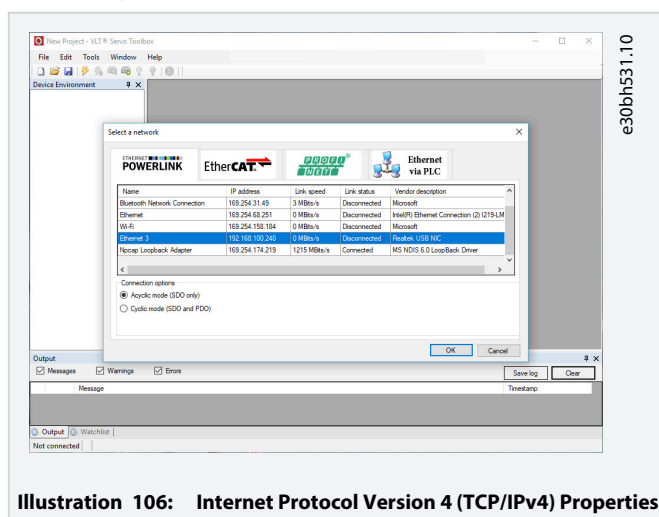


Illustration 105: Local Area Connection 2 Properties

6.16.4.4 Setting the Correct Ethernet POWERLINK® Master IP Address

Procedure

1. Open the *Network and Sharing Center*.
2. On the left, click on *Change adapter settings*.
3. Right-click on the network interface used for fieldbus communication and select *Properties*.
4. Click on *Internet Protocol Version 4 (TCP/IPv4)* (the checkbox must be checked) and then click on *Properties*.
5. Select *Use the following IP address* and use 192.168.100.240 as the IP address and 255.255.255.0 as the subnet mask. Leave all other fields empty.



6.16.4.5 Network Settings for Direct Communication with EtherCAT®

Configuration of the EtherCAT®-specific network interface on the VLT® Servo Toolbox host PC is not required.

6.17 VLT® Servo Toolbox Commissioning

6.17.1 Step 1: Opening the Main Window

The *Main Window* is the basis for all VLT® Servo Toolbox functionalities. It consists of the following components:

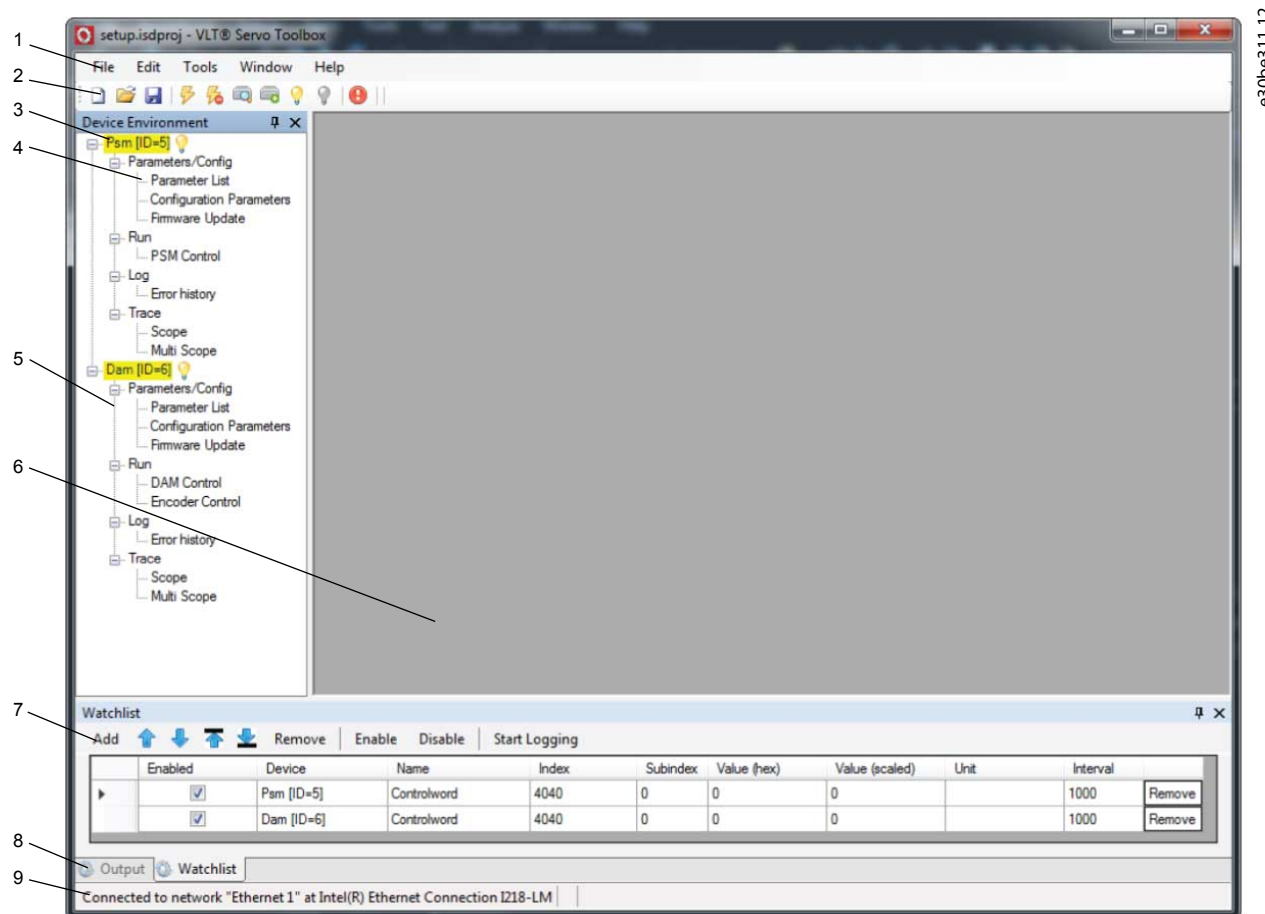


Illustration 107: Main Window

Table 21: Main Window Description

Legend number	Name	Description
1	Menu bar	Contains the general functionalities for saving and loading projects, managing connections, showing and changing settings, managing open subtools, and showing help contents.
2	Tool bar	Contains shortcuts for saving and loading projects, connecting to and disconnecting from networks, automatic searching for online devices, and manually adding devices.

Legend number	Name	Description
3	Online status and state information	<p>Online devices are indicated by a glowing light bulb next to the device ID.</p> <ul style="list-style-type: none"> An online device is a logical device for which a physical device exists, which the VLT® Servo Toolbox is connected to. The color indicates the state of the device and is device-specific.
	Offline status and state information	<p>Offline devices are indicated by a gray light bulb next to the device ID.</p> <ul style="list-style-type: none"> An offline device is a logical device without a corresponding physical device. An offline device can represent a saved device configuration or state, for example for offline analysis or troubleshooting. It also contains pre-configured parameter values to be written to a physical device.
4	Available subtools	A subtool is opened by double-clicking the left mouse button on its name in the <i>Device Environment</i> , or by selecting the entry and pressing the <i>Enter</i> key on the keyboard.
5	Device environment	<p>The <i>Device Environment</i> section of the <i>Main Window</i> lists all logical devices managed by the VLT® Servo Toolbox, visualizes their states, and serves as the user interface for accessing the device functionalities.</p> <p>The <i>Device Environment</i> window lists all available subtools for each added device.</p> <p>See the VLT® Servo Drive System ISD 510, DSD 510, MSD 510, Programming Guide for further information on the subtools.</p>
6	Workspace	This is the space for hosting the subtools and its size depends on the <i>Main Window</i> size. The subtools can be maximized, minimized, horizontally or vertically aligned, or cascaded.
7	Watchlist window	Evaluates the parameter values of 1 or more devices by cyclically reading them from the devices. Allows parameter values to be logged and saved to a text file. It is also possible to modify/write values in the watchlist.
8	Output window	Shows operating information, warnings, and errors. Depending on the user settings, shows messages of up to 3 different logging levels (high, medium, and low). Used for showing advanced error and warning information.
9	Status strip	Shows the communication state of the VLT® Servo Toolbox. If connected to a network, it shows the used hardware interface (for example, network adapter) and the network name.

6.17.2 Step 2: Connecting to Network

Context:

Pre-configure the appropriate communication settings to connect to a network (see [6.16.4.1 Overview](#)).

Procedure

1. In the *Main Window* toolbar, click on the *Connect to bus* icon to open the *Connect to Network* window.
2. Select the fieldbus type and the network interface to connect to.
3. Click on *OK* to connect.
4. Verify that the connection is successful by checking the status strip at the bottom of the *Main Window*.

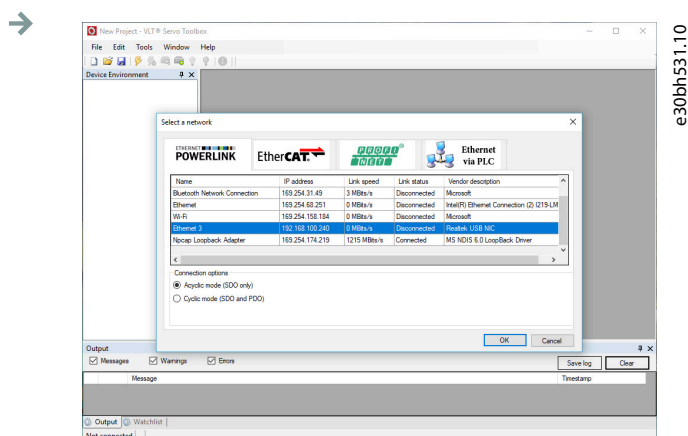


Illustration 108: Connect to Network Window (Ethernet POWERLINK®)

6.17.3 Step 3: Scanning for Devices

Procedure

1. After verifying that the VLT® Servo Toolbox is connected to the selected network, click on the *Scan for Devices* icon in the toolbar to trigger the device scan procedure.

NOTICE

- **If connected to an Ethernet POWERLINK® network in cyclic mode, select the scan range (minimum and maximum IDs) in the next window to reduce the time needed for scanning. In all other cases, the complete ID range is scanned.**

2. When the scan is complete, a list of available devices is shown in the *Select Devices* window. Select which devices to add to the *Device Environment* and click on *OK*.
3. All selected devices appear in the *Device Environment* window and automatically go online (indicated by a glowing light bulb next to each device name).

6.18 Motion Library

6.18.1 Function Blocks

The PLC library provides function blocks that support the functionality of the servo system and comply with this standard:

PLCopen® Technical Specification Function blocks for motion control (Formerly Part 1 and Part 2) Version 2.0 March 17, 2011.

In addition to the PLCopen® functionality, Danfoss offers further functions for the servo system.

The following PLCopen® characteristics apply to all function blocks:

- Commanding (using the inputs)
- Signaling (behaviour of the outputs)
- General calling conventions

NOTICE

- See the **VLT® Servo Drive System ISD 510, DSD 510, MSD 510 Programming Guide** for further information on the available function blocks and their behavior.

6.18.2 Simple Programming Template

TwinCAT®:

A basic sample PLC application for starting up the servo system with 1 Power Supply Module (PSM 510), 1 Decentral Access Module (DAM 510), and 2 axes is provided. The project *DDS_ServoMotion_SampleProject* can be downloaded from the Danfoss website.

Automation Studio™:

Detailed information on how to open the sample project within the ISD package in Automation Studio™ can be found in the Automation Studio™ Help. Open the B&R Help Explorer and go to [Programming → Examples → Adding sample programs] and follow the instructions for library samples.

PROFINET®

The project *DDS_ServoMotion_SampleProject* is a basic sample PLC (C240PN) application for starting up the servo system with 1 Power Supply Module (PSM 510), 1 Decentral Access Module (DAM 510), and 2 axes.

7 Operation

7.1 Operating Modes

7.1.1 Supported Operating Modes

The servo drive implements several modes of operation. The behavior of the servo drive depends on the activated mode of operation. It is possible to switch between the modes while the servo drive is enabled.

The supported modes of operation are according to CANopen® CiA DS 402 and there are also ISD-specific modes of operation. All supported modes of operation are available for EtherCAT®, Ethernet POWERLINK®, and PROFINET®.

The various modes of operation are described in detail in the **VLT® Servo Drive System ISD 510, MSD 510, DSD 510 Programming Guide**.

Table 22: Operating Modes

Mode	Description
Inertia measurement mode	This mode measures the inertia of an axis. It is used to measure the inertia of the servo drive and the external load, and to optimize the control loop settings. The friction effects are eliminated automatically.
Profile velocity mode	In profile velocity mode, the servo drive is operated under velocity control and executes a movement with constant speed. Additional parameters, such as acceleration and deceleration, can be parameterized.
Profile position mode	In profile position mode, the servo drive is operated under position control and executes absolute and relative movements. Additional parameters, such as velocity, acceleration, and deceleration, can be parameterized.
Profile torque mode	In profile torque mode, the servo drive is operated under torque control and executes a movement with constant torque. Linear ramps are used. Additional parameters, such as torque ramp and maximum velocity, can be parameterized.
Homing mode	In homing mode, the application reference position of the servo drive can be set. Several homing methods, such as homing on actual position, homing on block, limit switch, or home switch are available.
CAM mode	In CAM mode, the servo drive executes a synchronized movement based on a master axis. The synchronization is done by a CAM profile that contains slave positions corresponding to master positions. CAMs can be designed graphically with the ISD Toolbox software, or can be parameterized via the PLC. The guide value can be provided by an external encoder, virtual axis, or the position of another axis. The different CAM profile types are described in the VLT® Servo Drive System ISD 510, MSD 510 Programming Guide .
Gear mode	In gear mode, the servo drive executes a synchronized movement based on a master axis by using a gear ratio between the master and the slave position. The guide value can be provided by an external encoder, virtual axis, or the position of another axis.
Cyclic synchronous position mode	In cyclic synchronous position mode, the trajectory generator of the position is located in the control device, not in the servo drive.
Cyclic synchronous velocity mode	In cyclic synchronous velocity mode, the trajectory generator of the velocity is located in the control device, not in the servo drive.

7.1.2 Motion Functions

Table 23: Motion Functions

Function	Description
Digital CAM switch	This functionality controls whether the digital output is enabled or disabled, depending on the axis position. It performs a function comparable to switches on a motor shaft. Forward and backward movements of the axis position are allowed. On and off compensation and hysteresis can be parameterized.
Touch probe	This functionality stores the position actual value after a rising or falling edge at the configured digital input.

7.2 Operating Status Indicators

The operating status of the MSD 510 system components is indicated via the LEDs on each module.

NOTICE

- Status indicators are not reliable for safety functions. Only use them for general diagnostics during commissioning and troubleshooting.

7.2.1 Operating LEDs on SDM 511 and SDM 512

STATUS SDM

e30bg575.11

- DEV
- SVS ST
- NET ST

LINK/ACT

- X1
- X2

Illustration 109: Operating LEDs on SDM 511 and SDM 512

Table 24: Operating LEDs on SDM 511 and SDM 512

LED	Color	Flash status	Description
DEV	Green	On	Device is in state <i>Operation enabled</i> .
		Flashing	Auxiliary voltage is applied.
	Red	On	Device is in state <i>Fault</i> or <i>Fault reaction active</i> .
		Flashing	DC-link is not applied.
SVS ST	Green	On	24 V safety supply is applied.
		Off	24 V safety supply is not applied.
NET ST	Green/red	Fieldbus dependent	Network status of the device (see corresponding fieldbus standard).
LINK/ACT X1 (Link/activity status of <i>In</i>)	Green	On	Ethernet link established.
		Flashing	Ethernet link established and active.
		Off	No link.
LINK/ACT X2 (Link/activity status of <i>Out</i>)	Green	On	Ethernet link established.
		Flashing	Ethernet link established and active.
		Off	No link.

7.2.2 Operating LEDs on the PSM 510

STATUS PSM

e30bg576.11

- DEV
- SVS ST
- NET ST

LINK/ACT

- X1
- X2

Illustration 110: Operating LEDs on PSM 510

Table 25: Operating LEDs on PSM 510

LED	Color	Flash status	Description
DEV	Green	On	Device is in state <i>Operation enabled</i> .
		Flashing	Device is in state <i>Standby or Power-up</i> .
	Red	On	Device is in state <i>Fault or Fault reaction active</i> .
		Flashing	Input mains is not applied.
SVS ST	Green	On	24 V safety supply is applied.
		Off	24 V safety supply is not applied.
NET ST	Green	On	Connected.
	Orange	On	Online.
	Red	Flashing	Initialization.
		On	Initialization failed or other error.
LINK/ACT X1 (Link/activity status of <i>In</i>)	Green	On	Ethernet link established.
		Flashing	Ethernet link established and active.
		Off	No link.
LINK/ACT X2 (Link/activity status of <i>Out</i>)	Green	On	Ethernet link established.
		Flashing	Ethernet link established and active.
		Off	No link.

7.2.3 Operating LEDs on the DAM 510

STATUS DAM

DEV

SVS ST

NET ST

AUX

e30bg577.11

LINK/ACT

X1

X2

X3

Illustration 111: Operating LEDs on DAM 510

Table 26: Operating LEDs on DAM 510

LED	Color	Flash status	Description
DEV	Green	On	Device is in state <i>Operation enabled</i> .
		Flashing	Device is in state <i>Standby</i> or <i>Power-up</i> .
	Red	On	Device is in state <i>Fault</i> or <i>Fault reaction active</i> .
		Flashing	DC-link is not applied at the input.
SVS ST	Green	On	24 V safety supply is applied.
		Off	24 V safety supply is not applied.
NET ST	Green	On	Connected.
	Orange	On	Online.
	Red	Flashing	Initialization.
		On	Initialization failed or other error.
AUX (State of the auxiliary voltage)	Green	On	Auxiliary voltage is applied to the output connector.
		Off	Auxiliary voltage is not applied to the output connector.
	Red	On	Auxiliary voltage undervoltage detected in the hardware.
LINK/ACT X1 (Link/activity of <i>In</i>)	Green	On	Ethernet link established.
		Flashing	Ethernet link established and active.
		Off	No link.
LINK/ACT X2 (Link/activity status of <i>Hybrid Out</i>)	Green	On	Ethernet link established.
		Flashing	Ethernet link established and active.
		Off	No link.
LINK/ACT X3 (Link/activity status of <i>Out</i>)	Green	On	Ethernet link established.
		Flashing	Ethernet link established and active.
		Off	No link.

7.2.4 Operating LEDs on the ACM 510

STATUS ACM

- DEV
- CAP ST
- NET ST

e30bg578.10

LINK/ACT

- X1
- X2

Illustration 112: Operating LEDs on ACM 510

Table 27: Operating LEDs on ACM 510

LED	Color	Flash status	Description
DEV	Green	On	Device is in state <i>Operation enabled</i> .
		Flashing	Device is in state <i>Standby</i> or <i>Power-up</i> .
	Red	On	Device is in state <i>Fault</i> or <i>Fault reaction active</i> .
		Flashing	DC-link is not applied at the input.
CAP ST	Green	On	Capacitors fully charged.
		Flashing	Capacitors charging/discharging.
		Off	Capacitors discharged.
NET ST	Green	On	Connected.
	Orange	On	Online.
	Red	Flashing	Initialization.
		On	Initialization failed or other error.
LINK/ACT X1 (Link/activity of <i>In</i>)	Green	On	Ethernet link established.
		Flashing	Ethernet link established and active.
		Off	No link.
LINK/ACT X2 (Link/activity status of <i>Out</i>)	Green	On	Ethernet link established.
		Flashing	Ethernet link established and active.
		Off	No link.

8 Functional Safety Concept

8.1 Functional Description

The VLT® Multiaxis Servo Drive MSD 510 system integrates the safety function Safe Torque Off (STO). The safety function is available in daisy-chain format, which is possible between all system components except for ACM 510 (cables are not included). The hybrid cable passes the STO signal from the DAM 510 to all ISD 510/DSD 510 servo drives in the chain. Once STO is activated (safe state), no torque is generated on the ISD 510/DSD 510 servo drives, or on any motors connected to SDM 511/SDM 512. Reset of the safety function and diagnostics can be carried out via the PLC.

NOTICE

- Use the STO function when performing mechanical work on the servo system or affected area of a machine to avoid a mechanical hazard. However, the STO function does not provide electrical safety.

8.2 Safety Precautions

⚠ WARNING ⚠

UNCONTROLLED MOVEMENT

External forces on the motor could cause an uncontrolled and hazardous movement that could result in death or serious injury.

- Equip the motor with additional measures for preventing uncontrolled and hazardous movement, for example mechanical brakes.

⚠ WARNING ⚠

RISK OF ELECTRICAL SHOCK

The STO function does **not** isolate mains voltage to the servo system or auxiliary circuits. Failure to isolate the mains voltage supply and wait for the specified discharge time to elapse could result in death or serious injury.

- Only perform work on electrical parts of the Danfoss system components or the ISD 510/DSD 510 servo drives after isolating the mains voltage supply and waiting for the discharge time to elapse.

⚠ WARNING ⚠

RISK OF RESIDUAL ROTATION

Due to failures in the power semiconductor of the drive, a residual rotation can result from a fault that could result in death or serious injury. The rotation can be calculated to angle = $360^\circ / (\text{number of poles})$.

- Take this residual rotation into consideration and ensure that it does not pose a safety risk.

⚠ WARNING ⚠

LED STATUS RELIABILITY

Status indicators (LEDs) are not reliable for safety functions.

- Only use status indicators for general diagnostics during commissioning and troubleshooting.

NOTICE

- After installing the STO function, perform a commissioning test. A passed commissioning test is mandatory after initial installation and after each change to the safety installation (see [8.8 Commissioning Test](#)).

NOTICE

- If required, implement a manual reset function according to EN ISO 13849-1. For automatic restart without manual reset, observe the requirements detailed in paragraph 6.3.3.2.5 of EN ISO 12100:2010 or equivalent standard.

NOTICE

- Carry out a risk assessment to select the correct stop category for each stop function in accordance with EN 60204-1.
- When designing the machine application, consider timing and distance for coast to stop (Stop Category 0 or STO). See EN 60204-1 for further information.
- All signals connected to the STO must be supplied by a PELV supply.

8.3 Qualified Personnel for Working with Functional Safety

The STO function can only be installed, programmed, commissioned, maintained, and decommissioned by qualified personnel. Qualified personnel for the functional safety concept are qualified electrical engineers, or persons who have received training from qualified electrical engineers and are suitably experienced to operate devices, systems, plant, and machinery in accordance with the general standards and guidelines for safety technology.

Furthermore, they must:

- Be familiar with the basic regulations concerning health and safety/accident prevention.
- Have read and understood the safety guidelines given in this manual.
- Have a good knowledge of the generic and specialist standards applicable to the specific application.

Users of power drive systems (safety-related) (PDS(SR)) are responsible for:

- Hazard and risk analysis of the application.
- The overall safety of the application.
- Identifying safety functions required and allocating SIL or PL to each of the functions, other subsystems, and the validity of signals and commands from them.
- Designing appropriate safety-related control systems, such as hardware, software, and parameterization.

8.4 Applied Standards and Compliance

Use of the STO function requires that all provisions for safety, including relevant laws, regulations, and guidelines, are satisfied.

The integrated STO function complies with the following standards:

- IEC 60204-1: 2016 Stop Category 0 – uncontrolled stop
- EN 60204-1: 2018 Stop Category 0 – uncontrolled stop
- IEC/EN 61508: 2010 SIL 2
- IEC 61800-5-2: 2016 SIL 2
- EN 61800-5-2: 2017 SIL 2
- IEC 62061: 2005 and A1: 2012 and A2: 2015
- EN 62061: 2005 and Cor.:2010 and A1: 2013 and A2: 2015
- IEC/EN 62061: 2015 SIL CL2
- EN ISO 13849-1: 2015 Category 3, PL d
- EN ISO 13849-2: 2014

8.5 Abbreviations and Conventions

Table 28: Safety-related Abbreviations and Conventions

Abbreviation	Reference	Description
Cat.	EN ISO 13849-1	Category B, 1–4
DC	–	Diagnostic coverage
FIT	–	Failure in time Failure rate: 1E-9/hour
HFT	EN IEC 61508	Hardware fault tolerance HFT = n means that n + 1 faults may lead to a loss of the safety function.
MTTF _D	EN ISO 13849-1	Mean time to failure – dangerous Unit: years
PFH	EN IEC 61508	Probability of dangerous failures per hour Take this value into account if the safety device is operated in high demand mode or in continuous operating mode, where the frequency of demands for operation made on a safety-related system occurs more than once per year.
PL	EN ISO 13849-1	Performance level A discrete level used to specify the capability of safety-related parts of a system to perform safety-oriented functions under foreseeable conditions. Levels: a–e.
SFF	EN IEC 61508	Safe Failure Fraction [%] Proportion of safe failures and detected dangerous failures of a safety function or a subsystem as a percentage of all possible failures.
SIL	EN IEC 61508 EN IEC 62061	Safety Integrity Level
STO	EN IEC 61800-5-2	Safe Torque Off

8.6 Installation

Safety relays that have a plus and minus switching output signal can be directly connected to the servo system to activate STO.

The example in [illustration 113](#) shows the basic connection to be made for the STO function. A suitable safety device to switch it off is not supplied by Danfoss. The STO is activated by opening STO+ and STO-.

Table 29: Activation of STO Function

STO+	STO-	STO function
24 V	GND	STO deactivated
Open	GND	STO activated
24 V	Open	STO activated
Open	Open	STO activated

⚠ CAUTION ⚠

- Do not exceed 30 V at the STO inputs.
- STO is activated if the plus input is between -3 V and +3 V.
- STO is deactivated if the plus input is between +21.6 V and +26.4 V.

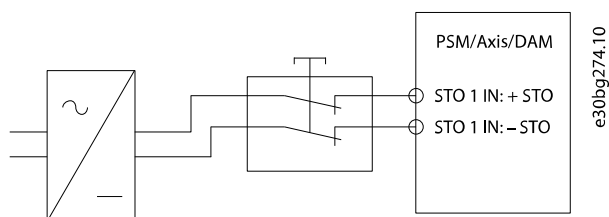


Illustration 113: Safety Relay with Plus and Minus Switching Output

Signals with test pulses must not have test pulses of >1 ms. Longer pulses may lead to reduced availability of the servo system.

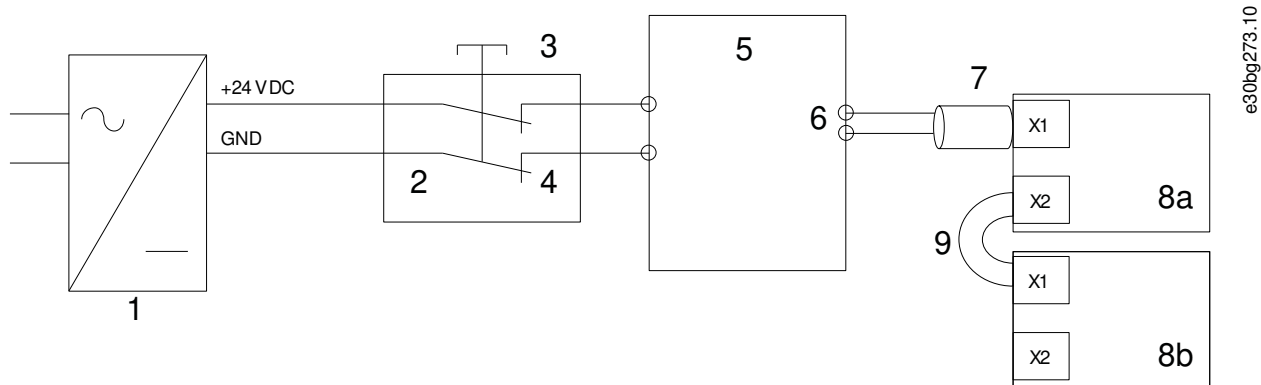
8.6.1 Protective Measures

- Install the MSD 510 system components in a cabinet that is rated at least IP54 as per IEC 60529 or in an equivalent environment. A higher IP protection may be necessary for certain applications.
- If external influences can affect the motor axis, for example suspended loads, use additional measures, such as a safety holding brake, to eliminate hazards.

8.7 Application Example

An example of an application that can be put in Safe Torque Off mode by a safety circuit is shown in [illustration 114](#).

Select the safety switch devices in accordance with the requirements of the application.



1 24 V DC supply	2 Safety device
3 Emergency stop button	4 Safety device contacts
5 Decentral Access Module (DAM)	6 Hybrid cable
7 Feed-in cable	8a/8b Servo drive
9 Loop cable	

Illustration 114: Application Example: Safe Torque Off Function

8.8 Commissioning Test

NOTICE

- Perform a commissioning test for the whole servo system after installation of the STO function, after every change to the installed function, or after a safety fault.

There are 2 ways to implement the commissioning test depending on the method used to program the PLC, however the steps of the test are the same:

- Using the Danfoss Library or the TwinCAT® Library.
- Bit-wise readout of the status.

8.8.1 Commissioning Test using Libraries

Depending on the application, 1 or both of the following libraries are required to program the commissioning test:

- Danfoss Library
 - MC_ReadAxisInfo_DDS
 - MC_ReadStatus_DDS
 - MC_ReadAxisError_DDS
 - MC_Reset_DDS
- TwinCAT® Library
 - MC_ReadStatus
 - MC_ReadAxisError
 - MC_Reset

Table 30: Commissioning Test using Libraries

	Test steps	Reason for the test step	Expected result for Danfoss library	Expected result for Twin-CAT® library
1	Run the application (all the servo drives are enabled).	Check that the application can run.	Application runs as expected.	Application runs as expected.
2	Stop the application.	–	All servo drives are at speed 0 RPM.	All servo drives are at speed 0 RPM.
3	Disable all the servo drives.	–	All servo drives are disabled.	All servo drives are disabled.
4	Enable STO.	Check that STO can be activated without error.	<i>MC_ReadAxisInfo_DDS</i> output <i>SafeTorqueOff</i> = True for all servo drives on the corresponding line.	–
5	Disable STO.	Check that STO can be deactivated without error. No reset is required.	<i>MC_ReadAxisInfo_DDS</i> output <i>SafeTorqueOff</i> = False for all servo drives on the corresponding line.	–
6	Run the application (all the servo drives are enabled).	–	Application runs as expected.	Application runs as expected.
7	Enable STO.	Check that errors are generated correctly when STO is activated while the servo drives are running.	<p>Motors are torque free. Motors coast and stop after some time.</p> <p><i>MC_ReadAxisInfo_DDS</i> output <i>SafeTorqueOff</i> = True</p> <p>and</p> <p><i>MC_ReadStatus_DDS</i> output <i>ErrorStop</i> = True</p> <p>and</p> <p><i>MC_ReadAxisError_DDS</i> output <i>AxisErrorID</i> = 0xFF80 on all enabled servo drives.</p>	<p>Motors are torque free. Motors coast and stop after some time.</p> <p>For enabled motors:</p> <p><i>MC_ReadStatus</i> output <i>ErrorStop</i> = True</p> <p>and</p> <p><i>MC_ReadAxisError</i> output <i>AxisErrorID</i> = 0xFF80 on all enabled servo drives.</p>
8	Try to run the application (enable 1 or more servo drives).	Checks that the STO function is working correctly.	Application does not run.	Application does not run.

	Test steps	Reason for the test step	Expected result for Danfoss library	Expected result for Twin-CAT® library
9	Disable STO.	Check that the STO start is still inhibited by the error signal.	<i>MC_ReadAxisInfo_DDS</i> output <i>SafeTorqueOff</i> = False and <i>MC_ReadStatus_DDS</i> output <i>ErrorStop</i> = True	<i>MC_ReadStatus</i> output <i>ErrorStop</i> = True
10	Try to run the application (enable 1 or more servo drives).	Check whether reset is required.	Application does not run.	Application does not run.
11	Send a reset signal via <i>MC_Reset(_DDS)</i> .	–	<i>MC_ReadAxisInfo_DDS</i> output <i>SafeTorqueOff</i> = False and <i>MC_ReadStatus_DDS</i> output <i>ErrorStop</i> = False	<i>MC_ReadStatus</i> output <i>ErrorStop</i> = False
12	Try to run the application (all servo drives are enabled).	–	Application runs as expected.	Application runs as expected.

8.8.2 Commissioning Test using PROFINET® Devices

Table 31: Commissioning Test using PROFINET® Devices

	Test steps	Reason for the test step	Expected result
1	Run the application (all the servo drives are enabled).	Check that the application can run.	Application runs as expected.
2	Stop the application.	–	All servo drives are at speed 0 RPM.
3	Disable all the servo drives.	–	All servo drives are disabled.
4	Enable STO.	Check that STO can be activated without error.	No errors are present. The successful STO activation can be checked on the LEDs on the devices.
5	Disable STO.	Check that STO can be deactivated without error. No reset is required.	No errors are present. The STO status can be checked on the LEDs on the devices.
6	Run the application (all the servo drives are enabled).	–	Application runs as expected.
7	Enable STO.	Check that errors are generated correctly when STO is activated while the servo drives are running.	Motors are torque free. Motors coast and stop after some time. Error 0x11E is shown in object 0x603F on all servo drives.
8	Try to run the application (enable 1 or more servo drives).	Checks that the STO function is working correctly.	Application does not run.
9	Disable STO.	Check that the STO start is still inhibited by the error signal.	Error 0x11E is shown in object 0x603F on all servo drives.

	Test steps	Reason for the test step	Expected result
10	Try to run the application (enable 1 or more servo drives).	Check whether reset is required.	Application does not run.
11	Send a reset signal via the PLC.	–	STO error 0x11E is cleared in all servo drives.
12	Try to run the application (all servo drives are enabled).	–	Application runs as expected.

8.9 Operation of the STO Function

The STO function does not require any parameterization and is always enabled.

The servo drive modules (SDM 511/512) provide STO status signals via the fieldbus.

All signals transmitted via the fieldbus are not part of the safety function and can only be used for operational purposes.

See the **VLT® Servo Drive System ISD 510, DSD 510, MSD 510 Programming Guide** for:

- General information on how to access and map data objects.
- Information on a library provided to simplify the use of the fieldbus functions.

If STO is activated when the servo drive is disabled, and no attempt is made to enable the servo drive while STO is active, it is not necessary to reset the STO function after reapplying supply to the STO terminals.

If STO is activated when the servo drive is enabled, an error code is issued.

8.9.1 Error Codes

If bit 3 of the statusword is set, this indicates any faults that occur on the servo drive. If the fault occurred because of the STO circuit, the cause of the fault can be found in object 0x603F.

Table 32: Error Codes

Error code	PROFINET® error code	Classification	Description	Reset
0xFF80	0x11E	Fault	STO activated while the servo drive was enabled, or an attempt to enable the servo drive was made while STO was activated.	Reset via the PLC.
0xFF81	0x11F	Safety fault	Servo drive internal diagnostic fault.	Carry out a power cycle.
0xFF85	0x120	Safety fault	Internal STO supply on the power card is not within limits.	Carry out a power cycle.

Error code 0xFF80/0x11E can be a normal status of the application. In this case, the servo drive requires a reset signal from the PLC. To use the STO function in an application that requires a control guard (see ISO 12100 for details), this reset information can be given automatically by the PLC. All servo drives on the same line will display this fault at the same time. Carry out a check on the PLC to compare the fault of all servo drives on 1 line.

Error code 0xFF81/0x11F means that there is a fault on the servo drive that can only be reset by carrying out a power cycle. Complete the commissioning test after the power cycle. Operation of the servo system can only be resumed if the test is completed successfully. If error code 0xFF81/0x11F or 0xFF85/0x120 is issued again, contact Danfoss Service.

8.9.2 Fault Reset

To reset faults, change bit 7 of the controlword from 0 to 1. See the **VLT® Servo Drive System ISD 510, DSD 510, MSD 510 Programming Guide** for further information.

8.10 Functional Safety Characteristic Data

Table 33: Functional Safety Characteristic Data

Data	PSM 510	SDM 511	SDM 512	DAM 510
General information				
Response time (from switching on the input until torque generation is disabled)	<100 ms			
Lifetime	20 years			
Data for EN/ISO 13849-1				
Performance level (PL)	–	d	d	–
Category	–	3	3	–
Mean time to dangerous failure (MTTF _D)	–	>5000 years	>5000 years ⁽¹⁾	–
Diagnostic coverage (DC)	–	60%	60%	–
Data for EN/ISO 61508 and EN/IEC 62061				
Safety integrity level (SIL)	–	2	2	–
Probability of failure per hour (PFH)	0 /h	<4 x 10 ⁻⁹ /h	<4 x 10 ⁻⁹ /h	0 /h
Safe failure fraction (SFF)	100%	>95%	>95%	100%
Subsystem classification	Type A			
Functional test interval	1 year			

¹ For each axis.

NOTICE

- The PSM 510, DAM 510, and ACM 510 do not contribute to the dangerous failure rate of the Danfoss system and can therefore be excluded from safety-related calculations.

8.11 Maintenance, Security, and User Accessibility

Maintenance: Test the STO safety function at least once per year as follows:

- Remove the STO input voltage.
- Verify that the motors stop running.
- Verify that no unexpected error codes appear.

Security: If security risks exist, take suitable measures to prevent them.

User accessibility: Restrict access to the ISD 510/DSD 510 servo drives and other system components if access to them could result in safety risks.

9 Diagnostics

9.1 Faults

If faults occur during the operation of the MSD 510 system, check:

- The LEDs on the servo drives, servo drive modules SDM 511/SDM 512, and ACM 510 for general problems relating to communication or device status.
- The LEDs on the PSM 510 and DAM 510 for general problems with communication, auxiliary supply, or STO voltage.
- The error codes.

The error codes can be read using the VLT® Servo Toolbox software, the LCP, or the PLC. The LCP only shows faults relating to the device it is connected to.

NOTICE

- If the fault cannot be eliminated by 1 of the measures listed in the troubleshooting tables, notify Danfoss Service.

Have the following information available to enable Danfoss to provide help quickly and effectively:

- Type number
- Error code
- Firmware version
- System setup (for example, number of servo drives, system modules, and lines).
- System status when the fault occurred.
- Ambient conditions.

9.2 Troubleshooting

9.2.1 Troubleshooting for the Servo Drive Modules SDM 511/SDM 512

9.2.1.1 Drive not Running/Starting Slowly

Possible Cause

- Bearing wear.
- Incorrect parameter settings.
- Incorrect control loop parameters.
- Incorrect torque settings.

Troubleshooting

- Check the bearings and the shaft.
- Check the parameter settings.

9.2.1.2 Drive Hums and Draws High Current

Possible Cause

- Drive defective.

Troubleshooting

- Contact Danfoss.

9.2.1.3 Drive Stops Suddenly and Restart is not Possible

Possible Cause

- No drive communication.
- Drive in error mode.

Troubleshooting

- Check the fieldbus connection and the LEDs on the drive.

9.2.1.4 Motor Rotating in Wrong Direction

Possible Cause

- Mirror mode activated.

Troubleshooting

- Check the parameter settings.

9.2.1.5 Motor not Generating Expected Torque

Possible Cause

- Drive defective.
- Parameter error.

Troubleshooting

- Check the parameter settings.
- Contact Danfoss.

9.2.1.6 Drive Screaming

Possible Cause

- Incorrect calibration.
- Faulty current measurement.
- Incorrect control loop parameters.

Troubleshooting

- Check the parameter settings.
- Contact Danfoss.

9.2.1.7 Uneven Running

Possible Cause

- Defective bearing.

Troubleshooting

- Check the shaft.

9.2.1.8 Vibration

Possible Cause

- Defective bearing.
- Incorrect control loop parameters.

Troubleshooting

- Check the shaft.
- Check the parameter settings.

9.2.1.9 Unusual Running Noises

Possible Cause

- Defective bearing.
- Defects on connected mechanics.
- Incorrect control loop parameters.

Troubleshooting

- Check the shaft.
- Check for loose mechanical components on the connected mechanics.
- Check the parameter settings.

9.2.1.10 Drive Speed Drops Sharply under Load

Possible Cause

- Drive is running at current limit.
- Drive is running with incorrect parameters.

Troubleshooting

- Check the application.
- Check the parameter settings.

9.2.1.11 Brake not Releasing

Possible Cause

- Defective brake control.
- Incorrect mechanical brake parameters.

Troubleshooting

- Check the parameter settings.
- Contact Danfoss.

9.2.1.12 Holding Brake not Holding the Servo Drive**Possible Cause**

- Mechanical brake defective.
- Shaft load exceeds the holding torque of the brake.

Troubleshooting

- Contact Danfoss.

9.2.1.13 Delayed Brake Engagement**Possible Cause**

- Software error.

Troubleshooting

- Contact Danfoss.

9.2.1.14 Noises when Power-Off Brake is Engaged**Possible Cause**

- Mechanical brake damaged.

Troubleshooting

- Contact Danfoss.

9.2.1.15 LEDs not Lighting Up**Possible Cause**

- No power supply.

Troubleshooting

- Check the power supply.

9.2.1.16 Drive Protection Trips Immediately**Possible Cause**

- Short circuit.
- Incorrect control loop parameters.

Troubleshooting

- Check the wiring.
- Contact Danfoss.

9.2.2 Troubleshooting for the Servo System

9.2.2.1 LCP Display is Dark/Not Functioning

This fault applies to the ISD 510/DSD 510 servo drives, the SDM 511/SDM 512 servo drive modules, PSM 510, DAM 510, and ACM 510.

Possible Causes

- Missing input power.
- Missing or open fuses or circuit breaker tripped.
- No power to the LCP.
- Incorrect contrast setting.
- Display is defective.

Troubleshooting
Table 34: Fault, LCP Display is Dark/Not Functioning

Possible cause	Possible solution
Missing input power.	Check the input power source.
Missing or open fuses or circuit breaker tripped.	Check the fuses and circuit breaker.
No power to the LCP.	<ul style="list-style-type: none"> • Check the LCP cable for proper connection or damage. • Replace any faulty LCP or connection cables.
Incorrect contrast setting.	Press [Status] + [▲]/[▼] to adjust the contrast.
Display is defective.	Replace the faulty LCP or connection cable.

9.2.2.2 Open Power Fuses or Circuit Breaker Trip

This fault applies to the PSM 510 and DAM 510.

Possible Causes

- Phase-to-phase short.
- Short on backlink.
- Short on SDM 511/SDM 512 output
- Short on hybrid cable.
- Short on EXM 510 connector or cable.

Troubleshooting

- Check the cabling
- Check for loose connections.

9.2.2.3 DC-link Voltage Too High (Error 0x3210/0x103)

This fault applies to PSM 510.

Possible Causes

- Brake resistor not connected.
- Brake resistor too high resistance.
- Brake resistor functionality not activated.
- Several servo drives are decelerating with insufficient ramp time.
- Brake resistor configured incorrectly.
- Mains voltage out of range.

Troubleshooting

Table 35: Fault, DC-link voltage Too High

Possible cause	Possible solution	Applies to:
Brake resistor not connected.	Check the brake resistor cabling.	PSM 510
Brake resistor too high resistance.	Check if the lowest resistance value has been entered.	PSM 510
Brake resistor functionality not activated.	Activate the brake function.	PSM 510
Several servo drives are decelerating with insufficient ramp time.	<ul style="list-style-type: none"> • Avoid simultaneous deceleration of several servo drives. • Change the deceleration speed. 	DAM 510, PSM 510, ISD 510/DSD 510 servo drives, SDM 511/SDM 512 servo drive modules
Mains voltage out of range	Check the mains voltage and wiring.	

9.2.2.4 DC-link Voltage Too Low (Error 0x3220/0x104)

This fault applies to all system modules.

Possible Cause

- Incorrect mains input supply.

Troubleshooting

- Check that the supply voltage matches the allowed specification.

9.2.2.5 DC-link Overcurrent (Error 0x2396/0x15C)

This fault applies to the PSM 510 and the DAM 510.

Possible Causes

- The sum of the servo drive current exceeds the maximum rating of the DAM 510.
- The sum of the system modules' current exceeds the maximum rating of the PSM 510.
- Short on backlink.

Troubleshooting

- Check the servo drive current consumption.
- Avoid simultaneous acceleration of all servo drives.
- Decrease the acceleration value.

9.2.2.6 DC link Overpower (Error 0x2313/0x161)

This fault applies to the PSM 510.

Possible Causes

- The PSM 510 was operating at over 140% of the nominal power rating for too long.

Troubleshooting

- Check the current consumption.

9.2.2.7 PT Power Overload (Error 0x2314/0x162)

This fault applies to the PSM 510.

Possible Causes

- The PSM 510 was operating at 100–140% of the nominal power rating for too long.

Troubleshooting

- Check the current consumption.

9.2.2.8 UAUX Overcurrent (Error 0x2391/0x125)

This fault applies to the DAM 510.

Possible Causes

- The servo drives are consuming more power on the U_{AUX} line than allowed.

Troubleshooting

- Check the number of attached servo drives with the shell diagrams in the **VLT® Servo Drive System ISD 510, DSD 510, MSD 510 Design Guide**.
- Avoid simultaneous lifting of the servo drive brakes.

9.2.2.9 UAUX Overvoltage (Error 0x3292/0x133)

This fault applies to the DAM 510.

Possible Causes

- Incorrect U_{AUX} supply.

Troubleshooting

- Check that the supply matches the auxiliary supply requirements.

9.2.2.10 UAUX Undervoltage (Error 0x3294/0x135)

This fault applies to the PSM 510, DAM 510, and ACM 510.

Possible Causes

- Incorrect U_{AUX} supply.
- Incorrect current dimensioning of the supply equipment.

Troubleshooting

- Check that the supply matches the auxiliary supply requirements.
- Check that the output power of the supply is sufficient.

9.2.2.11 Mains Phase Loss (Error 0x3130/0x12F)

This fault applies to the PSM 510.

Possible Causes

- A phase is missing on the supply side.
- The voltage imbalance is too high.

Troubleshooting

- Check the supply voltages and supply currents to the device.

9.2.2.12 Grounding Fault

This fault applies to the PSM 510, DAM 510, ACM 510, and SDM 511/SDM 512.

Possible Causes

- Grounding fault.
- When 2 PSM510 modules are mounted in parallel and the maximum delay time for power-up is exceeded (see [6.7 Power-Up Time](#)).

Troubleshooting

- Check for proper grounding and loose connections.
- Check the hybrid cables for short circuits or leakage currents.
- Check the EXM 510 connection and cable.

9.2.2.13 Brake Resistor Error

This fault applies to the PSM 510.

Possible Causes

- Faulty brake resistor.
- Internal/external brake resistor not connected.

Troubleshooting

- Remove the power to the device, wait for the discharge time to elapse, then replace the brake resistor.

9.2.2.14 Brake Chopper Error

This fault applies to the PSM 510.

Possible Causes

- Faulty brake chopper.
- Brake chopper power exceeds the power cycle limit.
- Incorrect parameterization.

Troubleshooting

- Check the parameterization of the brake chopper.
- Check the brake chopper connection.
- Measure the resistance of the brake chopper and compare it with the parameter settings.

9.2.2.15 Internal Fan Error

This fault applies to PSM 510 and SDM 511/SDM 512.

Possible Causes

- Fan is not mounted.
- Fan is blocked.

Troubleshooting

- Check if the fan is blocked.
- Check the fan cables for proper connection or damage.

9.3 Error Codes**9.3.1 No error (0x0000 / 0x0)**

This error code is valid for PSM 510, DAM 510, ACM 510, and SDM 511/SDM 512.

Table 36: No error (0x0000 / 0x0)

Code	PROFINET® code	Name	Severity (warning/error/trip lock)	Description	LCP name
0x0000	0x0	No error	Error	No error.	-

9.3.2 Generic err (0x1000 / 0x100)

This error is valid for PSM 510, DAM 510, ACM 510, and SDM 511/SDM 512.

Table 37: Generic err (0x1000 / 0x100)

Code	PROFINET® code	Name	Severity (warning/error/trip lock)	Description	LCP name
0x1000	0x100	Generic application error	Error	Generic application error.	generic err

9.3.3 Overcurrent on output (0x2310 / 0x101)

This error is valid for SDM 511/SDM 512.

Table 38: Overcurrent on output (0x2310 / 0x101)

Code	PROFINET® code	Name	Severity (warning/error/trip lock)	Description	LCP name
0x2310	0x101	Overcurrent on output	Error	Overcurrent on output.	overcurr out

9.3.4 High current overload (0x2311 / 0x15F)

This error is valid for DAM 510 and SDM 511/SDM 512.

Table 39: High current overload (0x2311 / 0x15F)

Code	PROFINET® code	Name	Severity (warning/error/trip lock)	Description	LCP name
0x2311	0x15F	High current overload	Error	High current overload error.	High curr ovld

9.3.5 I²T current overload (0x2312 / 0x160)

This error is valid for DAM 510 and SDM 511/SDM 512.

Table 40: I²T current overload (0x2312 / 0x160)

Code	PROFINET® code	Name	Severity (warning/error/trip lock)	Description	LCP name
0x2312	0x160	I ² T current overload	Error	I ² T current overload error.	IIT curr ovld

9.3.6 High power overload (0x2313 / 0x161)

This error is valid for PSM 510.

Table 41: High power overload (0x2313 / 0x161)

Code	PROFINET® code	Name	Severity (warning/error/trip lock)	Description	LCP name
0x2313	0x161	High power overload	Warning, error	High power overload error.	High pwr ovld

9.3.7 PT power overload (0x2314 / 0x162)

This error is valid for PSM 510.

Table 42: PT power overload (0x2314 / 0x162)

Code	PROFINET® code	Name	Severity (warning/error/trip lock)	Description	LCP name
0x2314	0x162	PT power overload	Warning, error	PT power overload error.	pt pwr ovld

9.3.8 Short circuit (0x2320 / 0x163)

This error is valid for PSM 510 and DAM 510.

Table 43: Short circuit (0x2320 / 0x163)

Code	PROFINET® code	Name	Severity (warning/error/trip lock)	Description	LCP name
0x2320	0x163	Short circuit	Trip lock	DC overcurrent short circuit error.	DC over curr

9.3.9 Earth leakage (0x2330 / 0x151)

This error is valid for PSM 510, DAM 510, and SDM 511/SDM 512.

Table 44: Earth leakage (0x2330 / 0x151)

Code	PROFINET® code	Name	Severity (warning/error/trip lock)	Description	LCP name
0x2330	0x151	Earth leakage	Warning, error	Current leaking to earth.	earth leakage

9.3.10 AUX overcurrent (0x2391 / 0x125)

This error is valid for DAM 510.

Table 45: AUX overcurr (0x2391 / 0x125)

Code	PROFINET® code	Name	Severity (warning/error/trip lock)	Description	LCP name
0x2391	0x125	AUX overcurrent	Error	Current on the AUX line has reached the overcurrent limit.	AUX overcurr

9.3.11 AUX user limit current (0x2393 / 0x127)

This error is valid for DAM 510.

Table 46: AUX user limit current (0x2393 / 0x127)

Code	PROFINET® code	Name	Severity (warning/error/trip lock)	Description	LCP name
0x2393	0x127	AUX user limit current	Error	Current on the AUX line has reached the user-defined limit for fault.	AUX curr limit

9.3.12 AUX user limit current warning (0x2394 / 0x128)

This error is valid for PSM 510 and DAM 510.

Table 47: AUX user limit current warning (0x2394 / 0x128)

Code	PROFINET® code	Name	Severity (warning/error/trip lock)	Description	LCP name
0x2394	0x128	AUX user limit current warning	Warning	Current on the AUX line has reached the user-defined limit for warning.	AUX curr warn

9.3.13 AUX fuse failure (0x2395 / 0x129)

This error is valid for DAM 510.

Table 48: AUX fuse failure (0x2395 / 0x129)

Code	PROFINET® code	Name	Severity (warning/error/trip lock)	Description	LCP name
0x2395	0x129	AUX fuse failure	Error	Fuse failure. Current or voltage is above the limit on the AUX line.	AUX fuse fail

9.3.14 DC overcurrent trip (0x2396 / 0x15C)

This error is valid for DAM 510 and SDM 511/SDM 512.

Table 49: DC overcurrent trip (0x2396 / 0x15C)

Code	PROFINET® code	Name	Severity (warning/error/trip lock)	Description	LCP name
0x2396	0x15C	DC Overcurrent trip	Error	DC overcurrent trip.	overcurr trip

9.3.15 Output power trip (0x2397 / 0x12B)

This error is valid for PSM 510.

Table 50: Output power trip (0x2397 / 0x12B)

Code	PROFINET® code	Name	Severity (warning/error/trip lock)	Description	LCP name
0x2397	0x12B	Output power trip	Error	The peak output power of the device is exceeded.	Out pow

9.3.16 I²T overload motor (0x239B / 0x102)

This error is valid for SDM 511/SDM 512.

Table 51: Short circuit (0x239B / 0x102)

Code	PROFINET® code	Name	Severity (warning/error/trip lock)	Description	LCP name
0x239B	0x102	I ² T overload motor	Warning, error	I ² T overload motor error.	IIT ovld motor

9.3.17 Mains phase loss (0x3130 / 0x12F)

This error is valid for PSM 510.

Table 52: Mains phase loss (0x3130 / 0x12F)

Code	PROFINET™ code	Name	Severity (warning/error/trip lock)	Description	LCP name
0x3130	0x12F	Mains phase loss	Error	Mains phase loss detected. This occurs when a phase on mains is missing, or when the mains is imbalanced.	phase loss

9.3.18 DC link overvoltage (0x3210 / 0x103)

This error is valid for PSM 510, DAM 510, and ACM 510.

Table 53: DC link overvoltage (0x3210 / 0x103)

Code	PROFINET® code	Name	Severity (warning/error/trip lock)	Description	LCP name
0x3210	0x103	DC link overvoltage	Error	DC-link voltage exceeds limit.	UDC overvolt

9.3.19 Overcurrent trip SW (0x3210 / 0x103)

This error is valid for SDM 511/SDM 512.

Table 54: Overcurrent trip SW (0x3210 / 0x103)

Code	PROFINET® code	Name	Severity (warning/error/trip lock)	Description	LCP name
0x3210	0x103	overcurrent trip SW	Error	DC-link voltage exceeds limit.	UDC overvolt

9.3.20 DC link undervoltage (0x3220 / 0x104)

This error is valid for PSM 510, DAM 510, ACM 510, and SDM 511/SDM 512.

Table 55: DC link undervoltage (0x3220 / 0x104)

Code	PROFINET® code	Name	Severity (warning/error/trip lock)	Description	LCP name
0x3220	0x104	DC link undervoltage	Error	DC-link voltage below limit in <i>Operation enabled</i> state.	UDC undervolt

9.3.21 UDC charging error (0x3230 / 0x152)

This error is valid for PSM 510, DAM 510, ACM 510, and SDM 511/SDM 512.

Table 56: UDC charging error (0x3230 / 0x152)

Code	PROFINET® code	Name	Severity (warning/error/trip lock)	Description	LCP name
0x3230	0x152	UDC charging error	Error	The maximum time limit to charge the DC-link has been exceeded.	UDC charging err

9.3.22 DC Link Voltage unbalanced (0x3280 / 0x153)

This error is valid for PSM 510, DAM 510, ACM 510, and SDM 511/SDM 512.

Table 57: DC Link Voltage unbalanced (0x3280 / 0x153)

Code	PROFINET™ code	Name	Severity (warning/error/trip lock)	Description	LCP name
0x3280	0x153	DC Link voltage unbalanced	Trip lock	DC-link voltage unbalanced.	DC link unbal

9.3.23 UAUX high voltage (0x3291 / 0x132)

This error is valid for PSM 510, DAM 510, and ACM 510.

Table 58: UAUX high voltage (0x3291 / 0x132)

Code	PROFINET® code	Name	Severity (warning/error/trip lock)	Description	LCP name
0x3291	0x132	U _{AUX} high voltage	Warning	U _{AUX} above warning limit.	UAUX high volt

9.3.24 UAUX overvoltage (0x3292 / 0x133)

This error is valid for DAM 510.

Table 59: UAUX overvoltage (0x3292 / 0x133)

Code	PROFINET® code	Name	Severity (warning/error/trip lock)	Description	LCP name
0x3292	0x133	U _{AUX} overvoltage	Error	U _{AUX} above overvoltage limit.	UAUX overvolt

9.3.25 UAUX low voltage (0x3293 / 0x134)

This error is valid for PSM 510, DAM 510, ACM 510, and SDM 511/SDM 512.

Table 60: UAUX low voltage (0x3293 / 0x134)

Code	PROFINET® code	Name	Severity (warning/error/trip lock)	Description	LCP name
0x3293	0x134	U _{AUX} low voltage	Warning	U _{AUX} below warning limit.	UAUX low volt

9.3.26 UAUX undervoltage (0x3294 / 0x135)

This error is valid for PSM 510, DAM 510, and ACM 510.

Table 61: UAUX undervoltage (0x3294 / 0x135)

Code	PROFINET® code	Name	Severity (warning/error/trip lock)	Description	LCP name
0x3294	0x135	U _{AUX} undervoltage	Error	U _{AUX} below undervoltage limit.	UAUX undervolt

9.3.27 UDC high voltage (0x3295 / 0x136)

This error is valid for PSM 510, DAM 510, and ACM 510.

Table 62: UDC high voltage (0x3295 / 0x136)

Code	PROFINET® code	Name	Severity (warning/error/trip lock)	Description	LCP name
0x3295	0x136	UDC high voltage	Warning	The DC-link voltage is higher than the high-voltage warning limit.	UDC high volt

9.3.28 UDC low voltage (0x3296 / 0x137)

This error is valid for PSM 510, DAM 510, and ACM 510.

Table 63: UDC low voltage (0x3296 / 0x137)

Code	PROFINET® code	Name	Severity (warning/error/trip lock)	Description	LCP name
0x3296	0x137	UDC low voltage	Warning	The DC-link voltage is lower than the low-voltage warning limit.	UDC low volt

9.3.29 UAUX charging error (0x3297 / 0x154)

This error is valid for DAM 510.

Table 64: UAUX charging error (0x3297 / 0x154)

Code	PROFINET® code	Name	Severity (warning/error/trip lock)	Description	LCP name
0x3297	0x154	U _{AUX} charging error	Error	Load error when U _{AUX} is charging. The maximum time limit to charge the AUX line has been exceeded.	UAUX charg err

9.3.30 UDC shutdown error (0x3298 / 0x165)

This error is valid for DAM 510.

Table 65: UDC shutdown error (0x3298 / 0x165)

Code	PROFINET® code	Name	Severity (warning/error/trip lock)	Description	LCP name
0x3298	0x165	UDC shutdown error	Error	Error when UDC is in shutdown phase.	UDC shutdwn err

9.3.31 UAUX shutdown error (0x3299 / 0x155)

This error is valid for DAM 510.

Table 66: UAUX shutdown error (0x3299 / 0x155)

Code	PROFINET® code	Name	Severity (warning/error/trip lock)	Description	LCP name
0x3299	0x155	U _{AUX} shutdown error	Error	Error when U _{AUX} is in shutdown phase.	UAUX shtdwn err

9.3.32 UAUX undervoltage hardware (0x329A / 0x156)

This error is valid for PSM 510, DAM 510, and ACM 510.

Table 67: UAUX undervoltage hardware (0x329A / 0x156)

Code	PROFINET® code	Name	Severity (warning/error/trip lock)	Description	LCP name
0x329A	0x156	U _{AUX} undervoltage hardware	Error	U _{AUX} undervoltage detected by hardware circuit.	AUX undervol HW

9.3.33 Automated fault reset failure (0x329B / 0x168)

This error is valid for PSM 510, DAM 510, and ACM 510.

Table 68: Automated fault reset failure (0x329B / 0x168)

Code	PROFINET® code	Name	Severity (warning/error/trip lock)	Description	LCP name
0x329B	0x168	Automated fault reset failure	Trip lock	Too many auto fault resets have been executed in the intended time interval.	afr failure

9.3.34 Device overtemperature (0x4210 / 0x157)

This error is valid for PSM 510, DAM 510, and ACM 510.

Table 69: Device overtemperature (0x4210 / 0x157)

Code	PROFINET® code	Name	Severity (warning/error/trip lock)	Description	LCP name
0x4210	0x157	Device overtemperature	Warning, error	Triggered when the maximum temperature of the main device component is exceeded. PSM: Thyristor rectifier module. DAM: Maximum temperature of both high side and low side IGBTs.	overtemp device

9.3.35 Too low temperature (0x4220 / 0x138)

This error is valid for PSM 510, DAM 510, ACM 510, and SDM 511/SDM 512.

Table 70: Too low temperature (0x4220 / 0x138)

Code	PROFINET® code	Name	Severity (warning/error/trip lock)	Description	LCP name
0x4220	0x138	Too low temperature	Error	The device is too cold to operate.	low temp device

9.3.36 Overtemperature: Power module (0x4290 / 0x105)

This error is valid for SDM 511/SDM 512.

Table 71: Overtemperature: Power module (0x4290 / 0x105)

Code	PROFINET® code	Name	Severity (warning/error/trip lock)	Description	LCP name
0x4290	0x105	Overtemperature: Power module	Error	Overtemperature on power module.	overtemp PM

9.3.37 Overtemperature: Control card (0x4291 / 0x106)

This error is valid for PSM 510, DAM 510, ACM 510, and SDM 511/SDM 512.

Table 72: Overtemperature: Control card (0x4291 / 0x106)

Code	PROFINET® code	Name	Severity (warning/error/trip lock)	Description	LCP name
0x4291	0x106	Overtemperature: Control card	Error	Maximum temperature of control card exceeded.	overtemp CC

9.3.38 Overtemperature: Power card (0x4292 / 0x107)

This error is valid for PSM 510, DAM 510, and ACM 510.

Table 73: Overtemperature: Power card (0x4292 / 0x107)

Code	PROFINET® code	Name	Severity (warning/error/trip lock)	Description	LCP name
0x4292	0x107	Overtemperature: Power card	Warning, error	Maximum temperature of power card exceeded.	overtemp PC

9.3.39 Inrush overtemperature: DC link (0x4293 / 013C)

This error is valid for PSM 510, DAM 510, and ACM 510.

Table 74: Inrush overtemperature: DC link (0x4293 / 0x13C)

Code	PROFINET® code	Name	Severity (warning/error/trip lock)	Description	LCP name
0x4293	0x13C	Inrush overtemperature: DC link	Error	Inrush fault. Too many transitions into state <i>Operation enabled</i> in a short time period.	inrush UDC

9.3.40 Inrush overtemperature AUX line (0x4294 / 0x13D)

This error is valid for DAM 510.

Table 75: Inrush overtemperature AUX line (0x4294 / 0x13D)

Code	PROFINET® code	Name	Severity (warning/error/trip lock)	Description	LCP name
0x4294	0x13D	Inrush overtemperature AUX line	Error	Inrush fault. Too many power-ups of the AUX voltage have occurred within a short time period.	inrush UAUX

9.3.41 Overtemperature: Motor (0x4310 / 0x108)

This error is valid for SDM 511/SDM 512.

Table 76: Overtemperature: Motor (0x4310 / 0x108)

Code	PROFINET® code	Name	Severity (warning/error/trip lock)	Description	LCP name
0x4310	0x108	Overtemperature: Motor	Error	Overtemperature on motor.	overtemp motor

9.3.42 UAUX undervoltage (0x5112 / 0x109)

This error is valid for SDM 511/SDM 512.

Table 77: Short circuit (0x5112 / 0x109)

Code	PROFINET® code	Name	Severity (warning/error/trip lock)	Description	LCP name
0x5112	0x109	UAUX undervoltage	Error, trip lock	Undervoltage on auxiliary voltage.	undervolt UAUX

9.3.43 Charge switch failure voltage (0x5121 / 0x158)

This error is valid for PSM 510 and SDM 511/SDM 512.

Table 78: Charge switch failure voltage (0x5121 / 0x158)

Code	PROFINET® code	Name	Severity (warning/error/trip lock)	Description	LCP name
0x5121	0x158	Charge switch failure voltage	Trip lock	Indicates a malfunction of the internal charge circuit.	Chg switch fail

9.3.44 EE Checksum Error (parameter missing) (0x5530 / 0x10A)

This error is valid for PSM 510, DAM 510, ACM 510, and SDM 511/SDM 512.

Table 79: EE Checksum Error (parameter missing) (0x5530 / 0x10A)

Code	PROFINET® code	Name	Severity (warning/error/trip lock)	Description	LCP name
0x5530	0x10A	EE Checksum Error (parameter missing)	Trip lock	Missing parameter in internal device configuration.	config err

9.3.45 Parameter error (0x6320 / 0x10B)

This error is valid for PSM 510, DAM 510, ACM 510, and SDM 511/SDM 512.

Table 80: Param err (0x6320 / 0x10B)

Code	PROFINET® code	Name	Severity (warning/error/trip lock)	Description	LCP name
0x6320	0x10B	Parameter error	Trip lock	A parameter has an invalid value.	param err

9.3.46 Conf par ver (0x6382 / 0x15D)

This error is valid for PSM 510, DAM 510, ACM 510, and SDM 511/SDM 512.

Table 81: Configuration parameters version error (0x6382 / 0x15D)

Code	PROFINET® code	Name	Severity (warning/error/trip lock)	Description	LCP name
0x6382	0x15D	Configuration parameters version error	Trip lock	Configuration parameter set version mismatch: parameter set is not valid for this device.	conf par ver

9.3.47 Configuration parameters limits error (0x6383 / 0x164)

This error is valid for PSM 510, DAM 510, and ACM 510.

Table 82: Configuration parameters limits error (0x6383 / 0x164)

Code	PROFINET® code	Name	Severity (warning/error/trip lock)	Description	LCP name
0x6383	0x164	Configuration parameters limits error	Trip lock	≥1 parameter in the configuration parameter set is out of limits: the parameter set is not valid for this device.	conf par lim

9.3.48 Power EEprom configuration error (0x6384 / 0x166)

This error is valid for PSM 510, DAM 510, ACM 510, and SDM 511/SDM 512.

Table 83: Power EEprom configuration error (0x6384 / 0x166)

Code	PROFINET® code	Name	Severity (warning/error/trip lock)	Description	LCP name
0x6384	0x166	Power Eeprom configuration error	Trip lock	The power device Eeprom is corrupt or incompatible with this control board.	conf par EE-PROM

9.3.49 Brake chopper failure (0x7111 / 0x141)

This error is valid for PSM 510.

Table 84: Brake chopper failure (0x7111 / 0x141)

Code	PROFINET® code	Name	Severity (warning/error/trip lock)	Description	LCP name
0x7111	0x141	Brake chopper failure	Warning, error	The brake chopper is monitored during operation. A brake failure has been detected by the brake check function.	brake ch fail

9.3.50 Brake chopper overcurrent (0x7112 / 0x167)

This error is valid for PSM 510.

Table 85: Brake chopper overcurrent (0x7112 / 0x167)

Code	PROFINET® code	Name	Severity (warning/error/trip lock)	Description	LCP name
0x7112	0x167	Brake chopper overcurrent	Trip lock	The brake chopper current exceeds the limit.	brake ch overcurr

9.3.51 Brake resistor maximum power limit (0x7181 / 0x142)

This error is valid for PSM 510.

Table 86: Brake resistor maximum power limit (0x7181 / 0x142)

Code	PROFINET® code	Name	Severity (warning/error/trip lock)	Description	LCP name
0x7181	0x142	Brake resistor maximum power limit	Warning, error	The brake resistor maximum power limit is exceeded.	brake pwr lim

9.3.52 Brake resistor user power limit (0x7182 / 0x143)

This error is valid for PSM 510.

Table 87: Brake resistor user power limit (0x7182 / 0x143)

Code	PROFINET® code	Name	Severity (warning/error/trip lock)	Description	LCP name
0x7182	0x143	Brake resistor user power limit	Warning, error	<p>The brake resistor power limit is exceeded.</p> <p>The power transmitted to the brake resistor is calculated as an average value over the last 300 s of run time.</p> <p>-The calculation is based on the DC-link voltage and the brake resistor value set in parameter 2-16 (Brake resistor power 300 s).</p> <p>The error is reported when the value is exceeded within 300 s.</p>	brake usr pwr lim

9.3.53 Brake mains voltage too high (0x7183 / 0x159)

This error is valid for PSM 510.

Table 88: Brake mains voltage too high (0x7183 / 0x159)

Code	PROFINET® code	Name	Severity (warning/error/trip lock)	Description	LCP name
0x7183	0x159	Brake mains voltage too high	Warning	The brake resistor mains voltage is too high.	brake volt high

9.3.54 Internal position sensor error (0x7320 / 0x10C)

This error is valid for SDM 511/SDM 512.

Table 89: Internal position sensor error (0x7320 / 0x10C)

Code	PROFINET® code	Name	Severity (warning/error/trip lock)	Description	LCP name
0x7320	0x10C	Internal position sensor error	Trip lock	Absolute position sensor error.	int sensor error

9.3.55 External position sensor error (0x7380 / 0x10D)

This error is valid for DAM 510 and SDM 511/SDM 512.

Table 90: External position sensor error (0x7380 / 0x10D)

Code	PROFINET® code	Name	Severity (warning/error/trip lock)	Description	LCP name
0x7380	0x10D	External position sensor error	Error	External encoder data could not be read.	ext sensor err

9.3.56 Following error (0x8611 / 0x10E)

This error is valid for SDM 511/SDM 512.

Table 91: Following error (0x8611 / 0x10E)

Code	PROFINET® code	Name	Severity (warning/error/trip lock)	Description	LCP name
0x8611	0x10E	Following error	Warning, error	A following error has occurred.	following err

9.3.57 Homing error on entering homing mode (0x8693 / 0x10F)

This error is valid for SDM 511/SDM 512.

Table 92: Homing error on entering homing mode (0x8693 / 0x10F)

Code	PROFINET® code	Name	Severity (warning/error/trip lock)	Description	LCP name
0x8693	0x10F	Homing error on entering homing mode	Warning	Could not enter homing mode (for example velocity not 0).	Homing mode fail

9.3.58 Homing error on start homing method (0x8694 / 0x110)

This error is valid for SDM 511/SDM 512.

Table 93: Homing error on start homing method (0x8694 / 0x110)

Code	PROFINET® code	Name	Severity (warning/error/trip lock)	Description	LCP name
0x8694	0x110	Homing error on start homing method	Warning	Could not start homing method (for example drive not in standstill).	Homing method fail

9.3.59 Homing error distance (0x8695 / 0x111)

This error is valid for SDM 511/SDM 512.

Table 94: Homing error distance (0x8695 / 0x111)

Code	PROFINET® code	Name	Severity (warning/error/trip lock)	Description	LCP name
0x8695	0x111	Homing error distance	Warning	Homing distance reached.	Homing distance

9.3.60 Mechanical brake failure (0xFF01 / 0x112)

This error is valid for SDM 511/SDM 512.

Table 95: Mechanical brake failure (0xFF01 / 0x112)

Code	PROFINET® code	Name	Severity (warning/error/trip lock)	Description	LCP name
0xFF01	0x112	Mechanical brake failure	Trip lock	No brake or wire failure.	brake mech fail

9.3.61 Short circuit in mechanical brake control (0xFF02 / 0x113)

This error is valid for SDM 511/SDM 512.

Table 96: Short circuit in mechanical brake control (0xFF02 / 0x113)

Code	PROFINET® code	Name	Severity (warning/error/trip lock)	Description	LCP name
0xFF02	0x113	Short circuit in mechanical brake control	Trip lock	Short circuit in brake control.	brake mech short

9.3.62 External interface power failure (0xFF0A / 0x114)

This error is valid for SDM 511/SDM 512.

Table 97: External interface power failure (0xFF0A / 0x114)

Code	PROFINET® code	Name	Severity (warning/error/trip lock)	Description	LCP name
0xFF0A	0x114	External interface power failure	Error	External interface power supply failure.	ext IF pwr fail

9.3.63 Communication interrupted (0xFF10 / 0x14F)

This error is valid for PSM 510, DAM 510, ACM 510, and SDM 511/SDM 512.

Table 98: Communication interrupted (0xFF10 / 0x14F)

Code	PROFINET® code	Name	Severity (warning/error/trip lock)	Description	LCP name
0xFF10	0x14F	Communication interrupted	Error	The fieldbus communication has been interrupted while the device was enabled.	Comm interrupt

9.3.64 Fan feedback inconsistent (0xFF21 / 0x145)

This error is valid for PSM 510 and SDM 51x.

Table 99: Fan feedback inconsistent (0xFF21 / 0x145)

Code	PROFINET® code	Name	Severity (warning/error/trip lock)	Description	LCP name
0xFF21	0x145	Fan feedback inconsistent	Warning	Internal fan fault. Internal fan not running/mounted.	fan feedback

9.3.65 Fan lifetime critical (0xFF22 / 0x15A)

This error is valid for PSM 510 and SDM 511/SDM 512.

Table 100: Fan lifetime critical (0xFF22 / 0x15A)

Code	PROFINET® code	Name	Severity (warning/error/trip lock)	Description	LCP name
0xFF22	0x15A	Fan lifetime critical	Warning	The theoretical lifetime of the fan has been exceeded.	fan lifetime

9.3.66 Timing violation 1 (0xFF60 / 0x115)

This error is valid for SDM 511/SDM 512.

Table 101: Timing violation 1 (0xFF60 / 0x115)

Code	PROFINET® code	Name	Severity (warning/error/trip lock)	Description	LCP name
0xFF60	0x115	Timing violation 1	Trip lock	Contact Danfoss.	timing err 1

9.3.67 Timing violation 2 (0xFF61 / 0x116)

This error is valid for SDM 511/SDM 512.

Table 102: Timing violation 2 (0xFF61 / 0x116)

Code	PROFINET® code	Name	Severity (warning/error/trip lock)	Description	LCP name
0xFF61	0x116	Timing violation 2	Trip lock	Contact Danfoss.	timing err 2

9.3.68 Timing violation 3 (0xFF62 / 0x117)

This error is valid for SDM 511/SDM 512.

Table 103: Timing violation 3 (0xFF62 / 0x117)

Code	PROFINET® code	Name	Severity (warning/error/trip lock)	Description	LCP name
0xFF62	0x117	Timing violation 3	Trip lock	Contact Danfoss.	timing err 3

9.3.69 Timing violation 4 (0xFF63 / 0x118)

This error is valid for SDM 511/SDM 512.

Table 104: Timing violation 4 (0xFF63 / 0x118)

Code	PROFINET® code	Name	Severity (warning/error/trip lock)	Description	LCP name
0xFF63	0x118	Timing violation 4	Trip lock	Contact Danfoss.	timing err 4

9.3.70 Timing violation 5 (0xFF64 / 0x119)

This error is valid for SDM 511/SDM 512.

Table 105: Timing violation 5 (0xFF64 / 0x119)

Code	PROFINET® code	Name	Severity (warning/error/trip lock)	Description	LCP name
0xFF64	0x119	Timing violation 5	Trip lock	Contact Danfoss.	timing err 5

9.3.71 Timing violation 6 (0xFF65 / 0x11A)

This error is valid for SDM 511/SDM 512.

Table 106: Timing violation 6 (0xFF65 / 0x11A)

Code	PROFINET® code	Name	Severity (warning/error/trip lock)	Description	LCP name
0xFF65	0x11A	Timing violation 6	Trip lock	Contact Danfoss.	timing err 6

9.3.72 Timing violation 7 (0xFF66 / 0x168)

This error is valid for SDM 511/SDM 512.

Table 107: Timing violation 7 (0xFF66 / 0x168)

Code	PROFINET® code	Name	Severity (warning/error/trip lock)	Description	LCP name
0xFF66	0x168	Timing violation 7	Trip lock	Contact Danfoss.	timing err 7

9.3.73 Timing violation 8 (0xFF67 / 0x16B)

This error is valid for SDM 511/SDM 512.

Table 108: Timing violation 8 (0xFF67 / 0x16B)

Code	PROFINET® code	Name	Severity (warning/error/trip lock)	Description	LCP name
0xFF67	0x16B	Timing violation 8	Trip lock	Contact Danfoss.	timing err 8

9.3.74 Timing violation 9 (0xFF68 / 0x16C)

This error is valid for SDM 511/SDM 512.

Table 109: Timing violation 9 (0xFF68 / 0x16C)

Code	PROFINET® code	Name	Severity (warning/error/trip lock)	Description	LCP name
0xFF68	0x16C	Timing violation 9	Trip lock	Contact Danfoss.	timing err 9

9.3.75 Firmware: Package description mismatch (0xFF70 / 0x11B)

This error is valid for PSM 510, DAM 510, ACM 510, and SDM 511/SDM 512.

Table 110: Firmware: Package description mismatch (0xFF70 / 0x11B)

Code	PROFINET® code	Name	Severity (warning/error/trip lock)	Description	LCP name
0xFF70	0x11B	Firmware: Package description mismatch	Trip lock	The firmware found does not match the package description.	FW pack err

9.3.76 Firmware: Power cycle needed (0xFF71 / 0x11C)

This error is valid for PSM 510, DAM 510, ACM 510, and SDM 511/SDM 512.

Table 111: Firmware: Power cycle needed (0xFF71 / 0x11C)

Code	PROFINET® code	Name	Severity (warning/error/trip lock)	Description	LCP name
0xFF71	0x11C	Firmware: Power cycle needed	Warning, error	The firmware update transfer is completed but a power cycle is required before the new firmware is active.	need power-cycle

9.3.77 Firmware: Update started (0xFF72 / 0x11D)

This error is valid for PSM 510, DAM 510, ACM 510, and SDM 511/SDM 512.

Table 112: Firmware: Update started (0xFF72 / 0x11D)

Code	PROFINET® code	Name	Severity (warning/error/trip lock)	Description	LCP name
0xFF72	0x11D	Firmware: Update started	Warning, error	Firmware update is in progress. Warning changes to error when an attempt is made to enable the device in this state.	FW update

9.3.78 Firmware: Update invalid (0xFF73 / 0x15B)

This error is valid for PSM 510 and DAM 510.

Table 113: Firmware: Update invalid (0xFF73 / 0x15B)

Code	PROFINET® code	Name	Severity (warning/error/trip lock)	Description	LCP name
0xFF73	0x15B	Firmware: Update invalid	Error	Invalid or corrupted firmware package update. Last valid firmware package has been loaded.	FW upd invalid

9.3.79 STO active while drive enabled (0xFF80 / 0x11E)

This error is valid for SDM 511/SDM 512.

Table 114: STO active while drive enabled (0xFF80 / 0x11E)

Code	PROFINET® code	Name	Severity (warning/error/trip lock)	Description	LCP name
0xFF80	0x11E	STO active while drive enabled	Error	STO activated while drive was enabled or tried to enable while STO active.	STO active

9.3.80 STO mismatch (0xFF81 / 0x11F)

This error is valid for SDM 511/SDM 512.

Table 115: STO mismatch (0xFF81 / 0x11F)

Code	PROFINET® code	Name	Severity (warning/error/trip lock)	Description	LCP name
0xFF81	0x11F	STO mismatch	Trip lock	Dual diagnosis of STO voltage not plausible.	STO mismatch

9.3.81 P_STO error (0xFF85 / 0x120)

This error is valid for SDM 511/SDM 512.

Table 116: P_STO error (0xFF85 / 0x120)

Code	PROFINET® code	Name	Severity (warning/error/trip lock)	Description	LCP name
0xFF85	0x120	P_STO error	Trip lock	P_STO voltage on the power card exceeds the limits.	P_STO error

9.3.82 Guide value reversed (0xFF90 / 0x121)

This error is valid for SDM 511/SDM 512.

Table 117: Guide value reversed (0xFF90 / 0x121)

Code	PROFINET® code	Name	Severity (warning/error/trip lock)	Description	LCP name
0xFF90	0x121	Guide value reversed	Error	Position guide value went backwards while the servo drive was in CAM mode.	guide val rev

9.3.83 Guide value implausible (0xFF91 / 0x122)

This error is valid for SDM 511/SDM 512.

Table 118: Guide value implausible (0xFF91 / 0x122)

Code	PROFINET® code	Name	Severity (warning/error/trip lock)	Description	LCP name
0xFF91	0x122	Guide value implausible	Error	Increments between succeeding values too large.	guide val impl

9.3.84 Sign of life error (0xFF95 / 0x14E)

This error is valid for SDM 511/SDM 512 with PROFINET® only.

Table 119: Sign of life error (0xFF95 / 0x14E)

Code	PROFINET® code	Name	Severity (warning/error/trip lock)	Description	LCP name
0xFF95	0x14E	Sign of life error	Error	Sign of life error.	SOL error

10 Maintenance, Decommissioning, and Disposal

10.1 Warnings

⚠ WARNING ⚠

HIGH VOLTAGE

Potentially lethal voltage is present on the connectors that may lead to death or serious injury.

- Before working on the power or signal connectors (disconnecting or connecting the cable), or performing any maintenance work, disconnect the Power Supply Module (PSM 510) from the mains and wait for the discharge time to elapse.

⚠ WARNING ⚠

DISCHARGE TIME

The MSD 510 system contains DC-link capacitors that remain charged for some time after the mains supply is switched off at the Power Supply Module (PSM 510). Failure to wait the specified time after power has been removed before performing service or repair work could result in death or serious injury.

- To avoid electrical shock, fully disconnect the Power Supply Module (PSM 510) from the mains and wait for the capacitors to fully discharge before carrying out any maintenance or repair work on the servo system or its components.

Minimum waiting time (minutes)
15

10.2 Maintenance Tasks

The MSD 510 system components are largely maintenance free.

The maintenance tasks must be performed by qualified personnel. No other tasks are required.

Table 120: Overview of Maintenance Tasks

Component	Maintenance task	Maintenance interval	Instruction
MSD 510 system components	Carry out a visual inspection.	Every 6 months	Check for any abnormalities on the surface of the component.
	Check the fan.	Every 12 months	Check that the fan can turn and remove any dust or dirt.
Functional safety	Perform a system power cycle and check the STO function.	Every 12 months	Activate STO and check the status with the PLC.

10.3 Inspection during Operation

10.3.1 System Components

Carry out regular inspections during operation.

Check:

- The cooling vents are not blocked.
- The fan is not making any unusual noises.
- The condition of electrical wiring and cables.

10.4 Repair

Always contact the local Danfoss sales company for information about the repair policy.

10.5 System Component Replacement

10.5.1 Dismounting the System Components

1. Disconnect the mains and all auxiliary supplies from the PSM 510 and wait for the discharge time to elapse.
2. Unplug the motor feedback connectors (only on SDM511/SDM512).
3. Disconnect the EMC plate on the bottom of the system components. Do not dismount the connectors from the EMC plate.

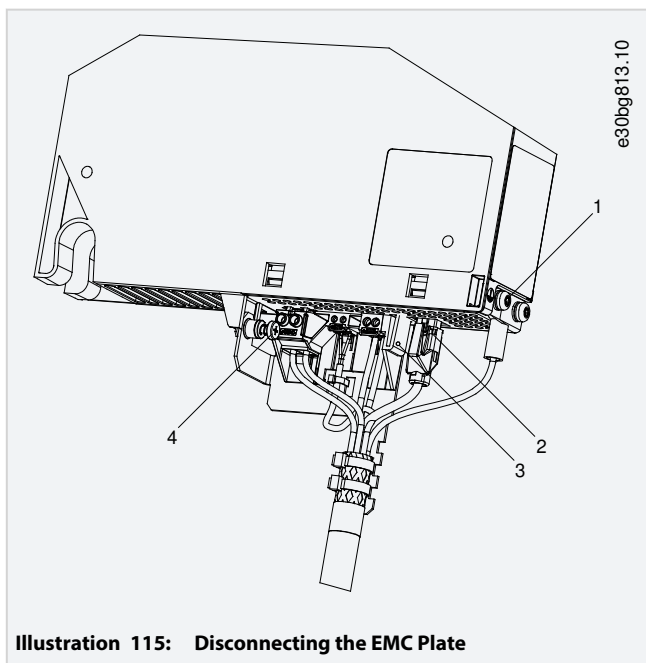


Illustration 115: Disconnecting the EMC Plate

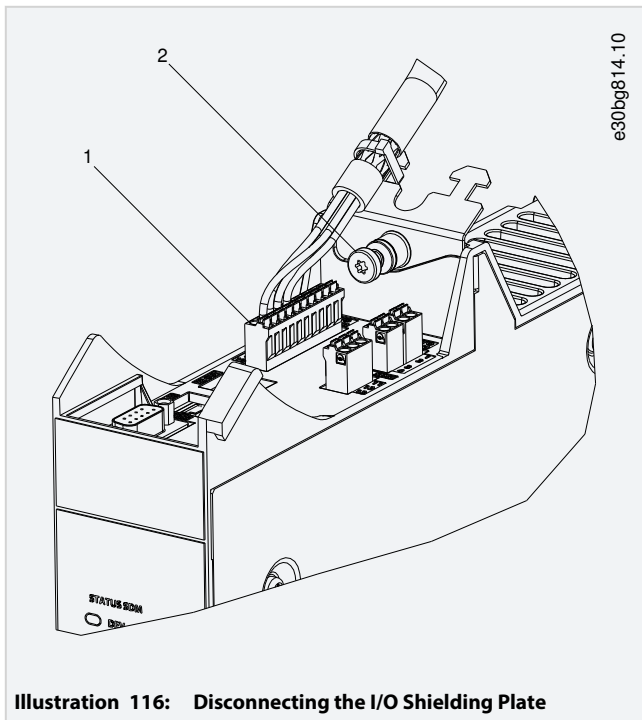
Unplug the RJ45 connector [2] (only on DAM 510).

Unscrew the screw [4] on the EMC plate.

Release the EMC plate by pressing the clip [3].

Unscrew the PE screw [1].

4. Disconnect the I/O shielding plate on the top of the system components:

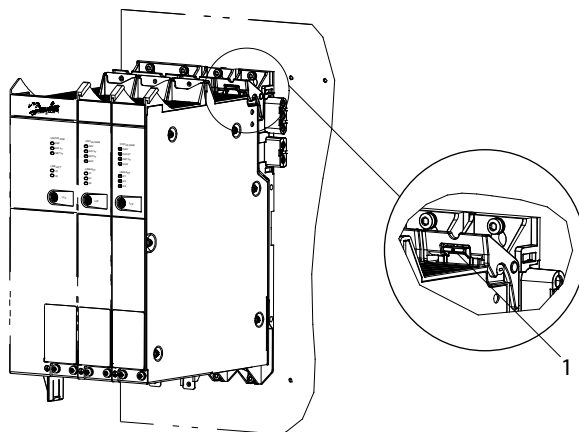


e30bg814.10

Illustration 116: Disconnecting the I/O Shielding Plate

- Unplug the top connectors [1].
- Unscrew the screw on the I/O shielding plate [2].
- Pull the I/O shielding plate upwards to remove it.

5. Release the securing clamp at the top of the module.



e30bg815.10

Illustration 117: Releasing the Securing Clamp

6. Tilt the module forward and remove it from the backplate.

NOTICE

- Do not forcefully connect or fit the connectors. Incorrect connection causes permanent damage to the connectors.

10.6.2 Feed-In Cable Replacement

10.6.2.1 Disconnecting the Feed-In Cable

Procedure

1. Disconnect the Power Supply Module (PSM 510) from its power source (mains network and all auxiliary supplies).
2. Wait for the necessary discharge time to elapse.
3. Disconnect any cables connected to the X3, X4, or X5 ports on the ISD 510/DSD 510 servo drive for easier access to the feed-in cable.
4. Disconnect the PE wire from the PE screw on the Decentral Access Module (DAM 510).
5. Disconnect the Ethernet connector.
6. Remove the EMC plate from the Decentral Access Module (DAM 510).
7. Open the cable binder holding the STO cable.
8. Open the cable binder holding the feed-in cable on Decentral Access Module (DAM 510).
9. Loosen the feed-in cable connectors on the DAM 510.
10. Disconnect the feed-in cable from the DAM 510.
11. Loosen the threaded ring of the connector on the servo drive.
12. Disconnect the feed-in cable from the servo drive.

10.6.2.2 Replacing the Feed-In Cable

Replace the feed-in cable with a cable of identical type and length. See the **VLT® Servo Drive System ISD 510, DSD 510, MSD 510 Design Guide** for part numbers.

10.6.2.3 Connecting the Feed-In Cable

1. Connect the female connector of the feed-in cable to the male connector of the 1st servo drive.
2. Turn the threaded rings of the connectors hand tight.
3. Ensure that there is no mechanical tension on the cables.
4. Insert the feed-in cable wires into the correct connector on the EMC plate at the bottom of the Decentral Access Module (DAM 510).
5. Secure the feed-in cable with a cable binder.
6. Secure the STO cable with a cable binder.
7. Mount the EMC plate on the DAM 510.
8. Connect the Ethernet connector to the DAM 510.
9. Connect the PE wire to the PE screw on the DAM 510.
10. Reconnect any cables that were connected to the X3, X4, or X5 ports.

10.6.3 Loop Cable Replacement

10.6.3.1 Disconnecting the Loop Cable

Procedure

1. Disconnect the Power Supply Module (PSM 510) from its power source (mains network) and all auxiliary supplies.
2. Wait for the necessary discharge time to elapse.
3. Disconnect any cables connected to the X3, X4, or X5 ports on both ISD 510/DSD 510 servo drives for easier access to the loop cable.
4. Loosen the threaded rings of the loop cable connectors on both servo drives.
5. Disconnect the loop cable from the servo drives.

10.6.3.2 Replacing the Loop Cable

Replace the loop cable with a cable of identical type and length. See the **VLT® Servo Drive System ISD 510, DSD 510, MSD 510 Design Guide** for part numbers.

10.6.3.3 Connecting the Loop Cable

1. Connect the male connector of the loop cable to the female connector on the servo drive.
2. Connect the female connector of the loop cable to the male connector on the adjacent servo drive.
3. Turn the threaded rings hand tight on both servo drives.
4. Ensure that there is no mechanical tension on the cables.
5. Tighten the threaded rings of the connectors on both servo drives.
6. Reconnect any cables that were connected to the X3, X4, or X5 ports on both servo drives.

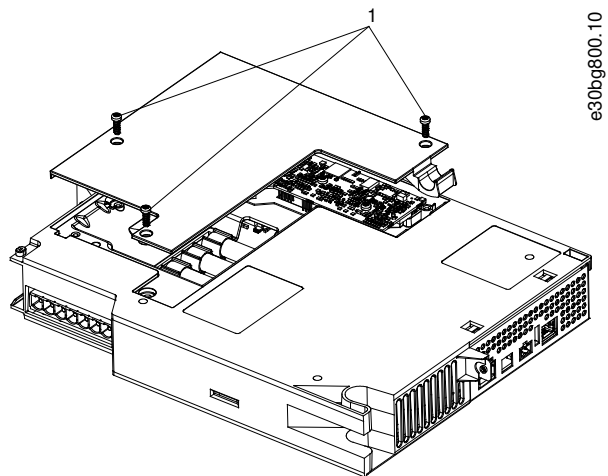
10.7 Fuse Replacement in Decentral Access Module (DAM 510)

Context:

If a single fuse blows, replace all the fuses with fuses from the same batch (fuse CAT number 5012006.25, SIBA).

Procedure

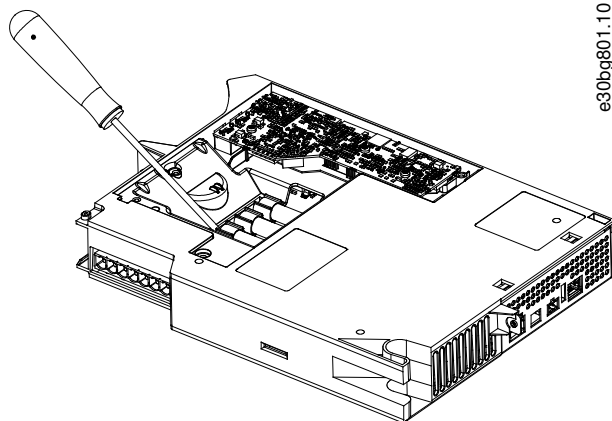
1. Remove the screws [1] and remove the cover.



e30bg800.10

Illustration 119: Opening the Cover on DAM 510

2. Use a screwdriver to remove the fuses and replace them with the same number of identical type fuses (see [5.4.1 Fuses](#)).



e30bg801.10

Illustration 120: Removing the Fuse

3. Replace the cover and tighten the screws [1]. The tightening torque is 2 Nm.

10.8 Fan Replacement

Context:

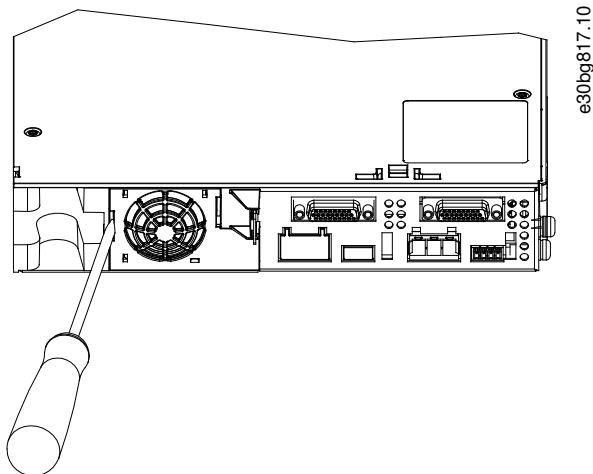


Illustration 121: Fan Replacement on 50 mm Modules

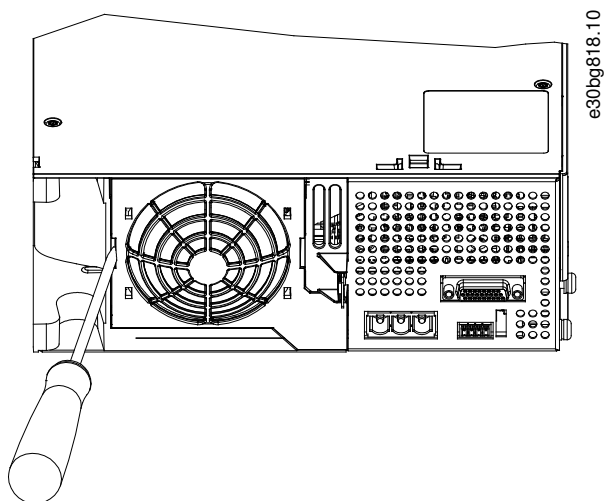


Illustration 122: Fan Replacement on 100 mm Modules

NOTICE

- Further information on fan types can be found in the VLT® Servo Drive System ISD 510, DSD 510, MSD 510 Design Guide.

Procedure

1. Use a screwdriver as a lever to release the fan holder.
2. Remove the fan.
3. Replace the fan with a fan of identical type.

10.9 Product Returns

Danfoss products can be returned for disposal at no charge. A prerequisite for this is that they are free of deposits, such as oil, grease, or other types of contamination that hampers disposal. Furthermore, foreign materials or third-party components cannot be included with the returned product.

Ship the products free on board to the local Danfoss sales company.

10.10 Recycling

Take metals and plastics to recycling stations.

The servo drives and system modules are classified as electronic waste, and the packaging is classified as packaging waste.

10.11 Disposal

Devices containing electronic components cannot be disposed of as normal domestic waste.

Dispose of the servo drives and system modules as hazardous waste, electrical waste, recyclable waste, and so on, in accordance with applicable local regulations.

11 Specifications

11.1 Nameplates

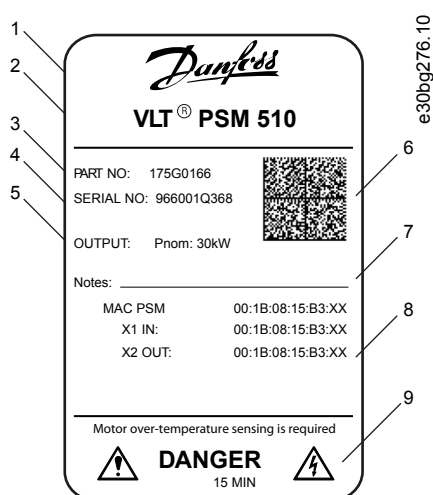
Check the nameplate and compare it with the order data. Use the part number for reference. The part number uniquely identifies the module type.

Ensure that the nameplate is clearly legible.

11.1.1 Example Nameplate on the Front of the System Modules

Ensure that the nameplate is clearly legible.

The following data is shown on the nameplate on the front of the MSD 510 system modules:



1 Danfoss logo	2 MSD 510 module name
3 Part number	4 Serial number
5 Output	6 Data matrix
7 Notes	8 MAC addresses
9 Warning symbols	

Illustration 123: Example Nameplate on the Front of the MSD 510 System Modules

11.1.2 Example Nameplate on the Side of the System Modules

The following data is shown on the nameplate on the side of the system modules:

VLT® PSM 510 e30b9826.10

1 MSD510PSM510F2P30C0D6E20PNSXXXXXXXXXXXXXXXXX

2

3 Input1: 3x 400V-480VAC 50/60Hz 50.0A Input2: 24-48VDC 2.0A — 7


4 U_{out}: 560-680VDC I_{nom}: 58.0A P_{nom}: 30kW SCCR: 5kA

5 U_{max}: U_{out} VDC I_{max}: 58.0A P_{max}: 30kW — 9


6 Ambient: 5 ... 40°C/41 ... 104°F — 8


Enclosure: IP20

PART NO: 175G0168 MAC PSM: 00:1B:08:1A:57:93
 SERIAL NO: 030601Q189



175G0168030601Q189
 Made in Italy

 Internal Overload Protection 105%
 E171278 Industrial Control Equipment

 Danfoss A/S 6430
 Nordborg, Denmark

1 Type code	2 Supply voltage
3 Output voltage	4 Maximum power
5 Ambient temperature range	6 Protection rating: IP20 according to IEC/EN 60529 (except connectors which are IP00)
7 U _{AUX} supply	8 Short-circuit current rating
9 Rated power	

Illustration 124: Example Nameplate on the Side of the System Modules for PSM 510

11.2 Power Supply Module (PSM 510)

11.2.1 Dimensions of PSM 510

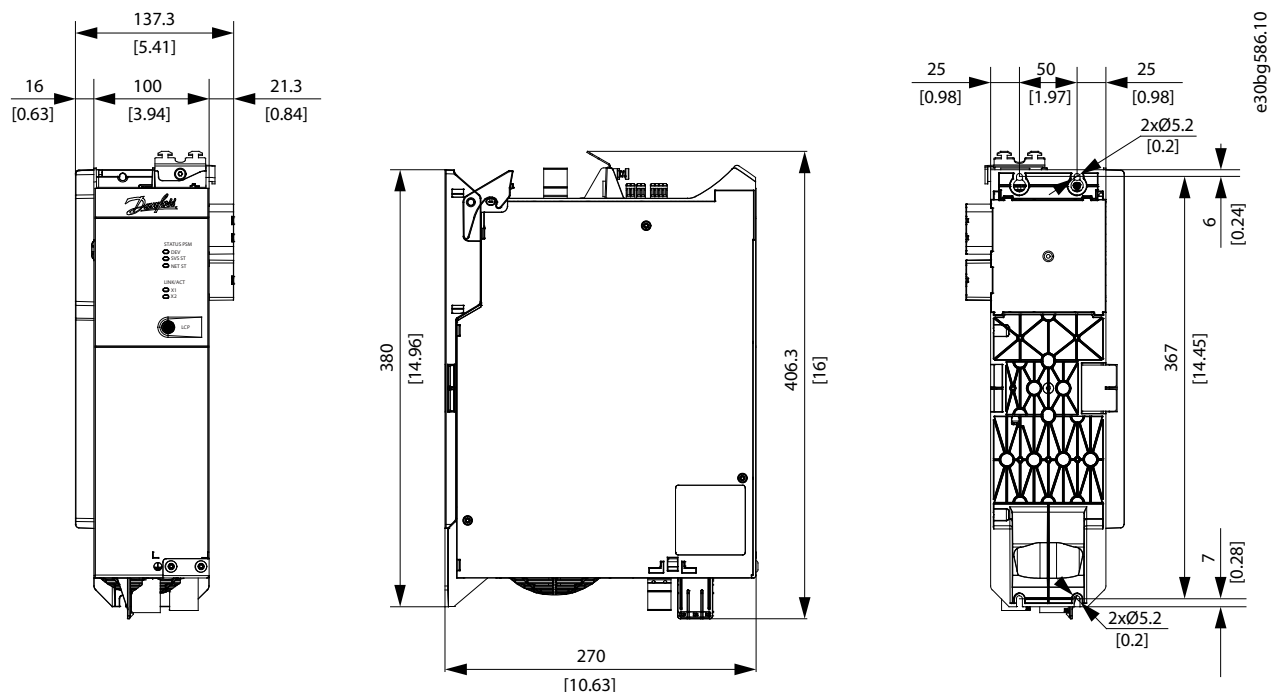


Illustration 125: Dimensions of PSM 510

11.2.2 Characteristic Data for PSM 510

Table 121: Characteristic Data for Power Supply Module (PSM 510)

Definition	Unit	Power size 1	Power size 2	Power size 3
Input				
Mains input voltage	V AC	400–480 ±10%, 3-phase (see 5.2 Electrical Environmental Conditions)		
Input current @ U _{MIN}	A	20	34	50
Input power	VA	12.5	22	32
U _{AUX} input voltage	V DC	24/48 ±10%		
U _{AUX} current consumption at 24 V DC	A DC	2.0		
U _{AUX} current consumption at 48 V DC	A DC	1.0		
Output				
DC-link voltage	V DC	565–680 ±10%		
DC-link capacitance	µF	1800		
Rated current I _N	A	20	40	60

Definition	Unit	Power size 1	Power size 2	Power size 3
Rated power P_N	kW	10	20	30
Peak power P_{max} $t < 3.0$ s)	kW	20	40	60
Internal brake resistor⁽¹⁾				
Peak power P_{max}	kW	8		
Rated power P_N	W	150		
Nominal resistance	Ω	15		
External brake resistor				
Peak power P_{max}	kW	60		
Rated power P_N	kW	7.5		
Minimum resistance	Ω	10		
General				
Line filter in accordance with EN 61800-3	–	Category C3		
Cooling	–	Integrated fan		
Mounting	–	Wall-mounted on backplate using backlink connector		
Weight	kg	6		
Dimensions (W x H x D)	mm	137.3 x 406.3 x 270		

¹ An external brake resistor can be connected.

11.3 Servo Drive Module (SDM 511/SDM 512)

11.3.1 Motor Overload Protection

NOTICE

- Internal motor overload protection operates at 105% of the motor full load current.
- Instruct SDM 511/SDM 512 with nominal motor current (full load current according to the motor technical label) to use the protection properly.

SDM 511/SDM 512 incorporates internal overload protection in the following multiples of current setting:

Table 122: Multiples of Current Setting

Multiple of current setting	Maximum trip time
7.2	20 s
1.5	8 min
1.2	2 hrs

11.3.2 Motor Overtemperature Protection

The internal motor overload protection implemented in SDM 511/SDM 512 does not have thermal memory retention or speed sensitivity.

NOTICE

- Internal motor overtemperature protection is not incorporated, so motor overtemperature sensing is required. SDM 511/SDM 512 has an input for motor temperature sensor.

11.3.3 Dimensions

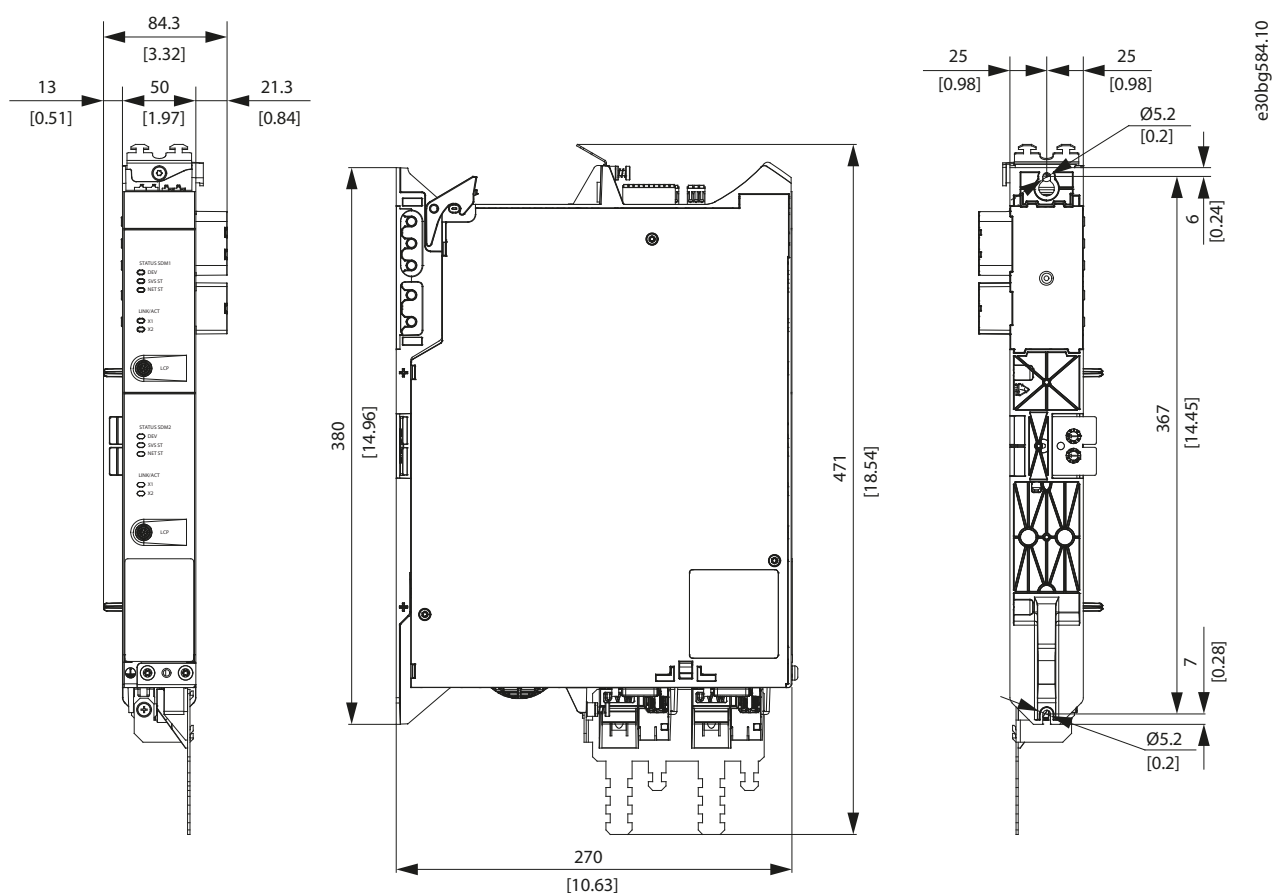


Illustration 126: Dimensions of SDM 511/SDM 512, Enclosure Size 1 (FS1)

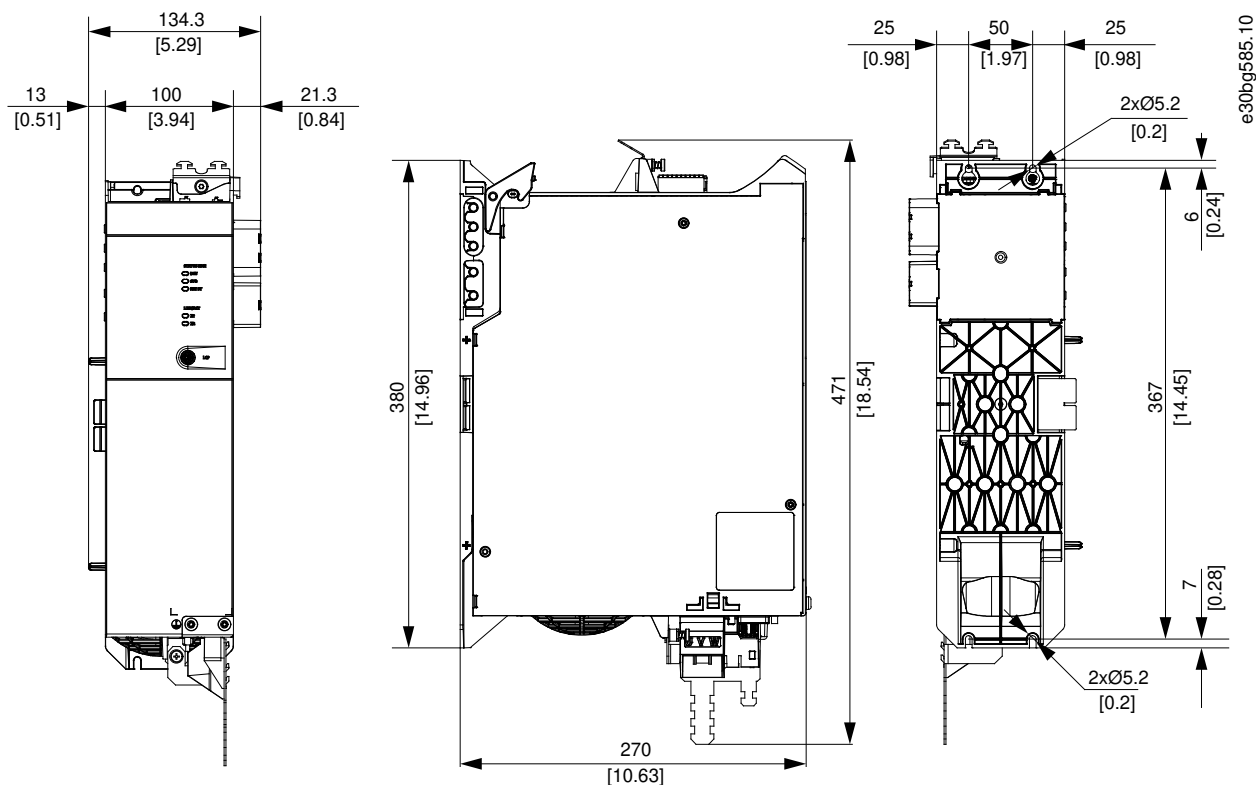


Illustration 127: Dimensions of SDM 511, Enclosure Size 2 (FS2)

11.3.4 Characteristic Data SDM 511

Table 123: Characteristic Data for SDM 511

Specifications	Unit	Enclosure size 1 (FS1), 2.5 A	Enclosure size 1 (FS1), 5 A	Enclosure size 1 (FS1), 10 A	Enclosure size 1 (FS1), 20 A	Enclosure size 2 (FS2), 40 A
Input						
DC-link	V DC	565–680 ±10%				
DC-link capacitance	µF	330				900
U _{AUX}	V DC	24/48 ±10%				
U _{AUX} current consumption (at 24 V DC)	A DC	1.8				2.5
U _{AUX} current consumption (at 48 V DC)	A DC	0.9				1.3
Output						
Output number of phases	–	3				
Output voltage	V AC	V _{IN} PSM				
Rated current I _N	A _{rms}	2.5	5	10	20	40
Rated power P _N	kW	0.5	2.2	4	11	22

Specifications	Unit	Enclosure size 1 (FS1), 2.5 A	Enclosure size 1 (FS1), 5 A	Enclosure size 1 (FS1), 10 A	Enclosure size 1 (FS1), 20 A	Enclosure size 2 (FS2), 40 A
Peak current (rms value) I_{\max} $t < 2.65$ s	A_{rms}	10	20	30	40	80
Nominal switching frequency	kHz	4/5				
Possible switching frequency	kHz	8/10				
Derating of nominal and peak current with 8 kHz switching frequency	%	65				
Derating of nominal and peak current with 10 kHz switching frequency	%	55				
Protective measures	–	Overload, short-circuit, and ground fault protection				
Maximum output frequency	Hz	590				
Functional safety	–	STO				
Cooling	–	Integrated fan				
Mounting	–	Wall-mounted on backplate using backlink connector				
Number of motor connectors	–	1				
Weight	kg	3.9				6.2
Dimensions (W x H x D)	mm	84.3 x 471 x 270				134.3 x 471 x 270

11.3.5 Characteristic Data SDM 512

Table 124: Characteristic Data for SDM 512

Specifications	Unit	Enclosure size 1 (FS1), 2 x 2.5 A	Enclosure size 1 (FS1), 2 x 5 A	Enclosure size 1 (FS1), 2 x 10 A
Input				
DC-link	V DC	565–680 ±10%		
DC-link capacitance	μF	330		
U_{AUX}	V DC	24/48 ±10%		
U_{AUX} current consumption (at 24 V DC)	A DC	2.3		
U_{AUX} current consumption (at 48 V DC)	A DC	1.2		
Output				
Output number of phases	–	3		
Output voltage	V AC	$V_{\text{IN PSM}}$		
Rated current I_{N}	A_{rms}	2 x 2.5	2 x 5	2 x 10
Rated power P_{N}	kW	2 x 0.75	2 x 2.2	2 x 4

Specifications	Unit	Enclosure size 1 (FS1), 2 x 2.5 A	Enclosure size 1 (FS1), 2 x 5 A	Enclosure size 1 (FS1), 2 x 10 A
Peak current (rms value) I_{\max} $t < 2.65$ s	A _{rms}	2 x 10	2 x 15	2 x 20
Nominal switching frequency	kHz	4/5		
Possible switching frequency	kHz	8/10		
Derating of nominal and peak current with 8 kHz switching frequency	%	65		
Derating of nominal and peak current with 10 kHz switching frequency	%	55		
Protective measures	–	Overload, short-circuit, and ground fault protection		
Maximum output frequency	Hz	590		
Functional safety	–	STO		
Cooling	–	Integrated fan		
Mounting	–	Wall-mounted on backplate using backlink connector		
Number of motor connectors	–	2		
Weight	kg	4.0		
Dimensions (W x H x D)	mm	84.3 x 471 x 270		

11.4 Decentral Access Module (DAM 510)

11.4.1 Dimensions of DAM 510

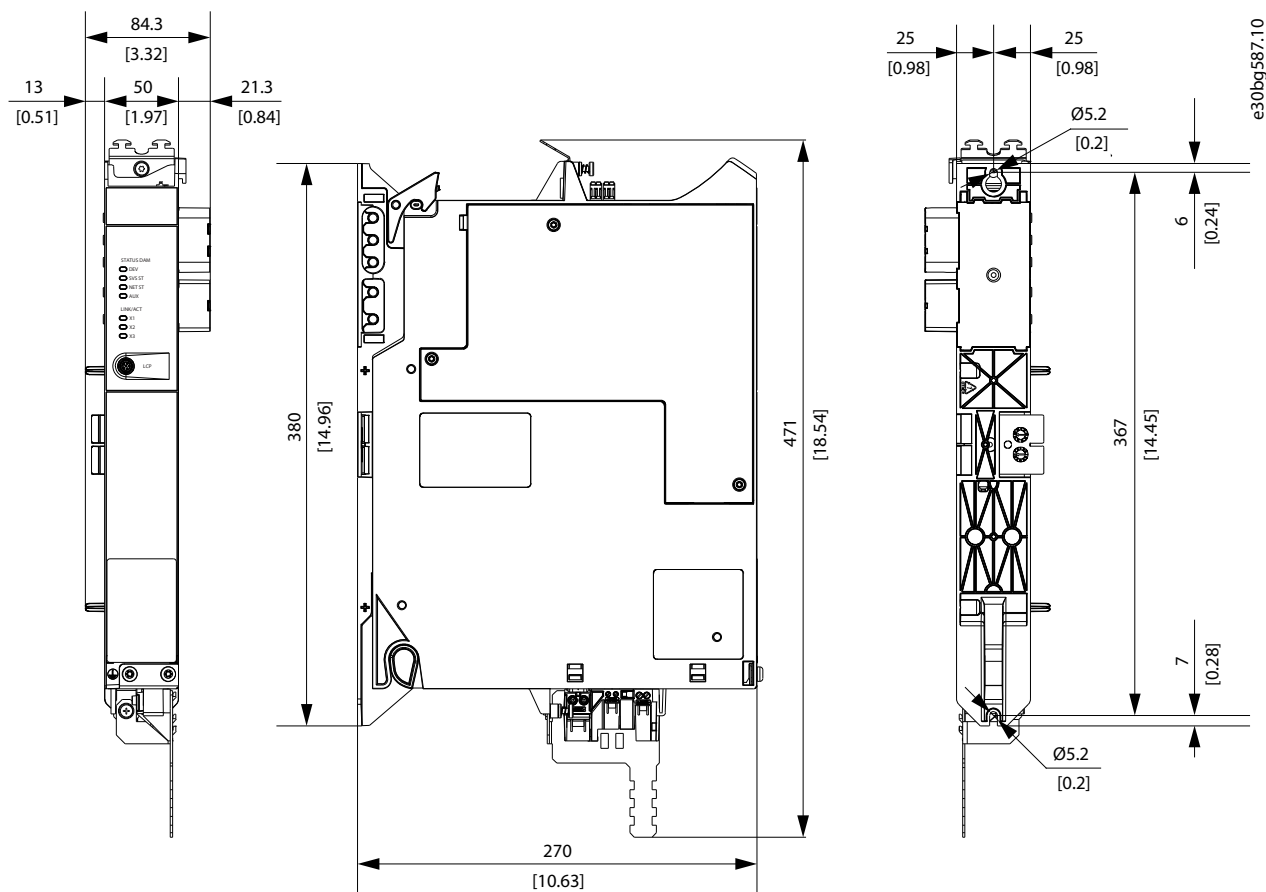


Illustration 128: Dimensions of DAM 510

11.4.2 Characteristic Data for DAM 510

Table 125: Characteristic Data for Decentral Access Module (DAM 510)

Definition	Unit	Power size 1	Power size 2
Input			
DC-link	V DC	565–680 ±10%	
DC-link capacitance	µF	660	
Maximum input current	A DC	15	25
U _{AUX}	V DC	24/48 ±10%	
U _{AUX} current consumption at 24 V DC	A DC	0.5	
U _{AUX} current consumption at 48 V DC	A DC	0.3	

Definition	Unit	Power size 1	Power size 2
Output			
Output voltage	V DC	$V_{OUT PSM}$	
Output current DC-link	A DC	15	25
Peak current DC-link (rms value) $t < 1.0$ s	A_{rms}	30 for < 1 s	48 for < 1 s
Output current U_{AUX}	A DC	15	
Protective measures	–	Overload, short-circuit, and ground fault protection	
Cooling	–	Natural convection	
Mounting	–	Wall-mounted on backplate using backlink connector	
Weight	kg	3.05	
Dimensions (W x H x D)	mm	84.3 x 467.9 x 270	

11.4.3 Hybrid Cable Protection

The AUX 24/48 V has 3 levels of protection:

- Software (seconds timing range): The control boards opens the 24/48 V AUX if an overload is present (> 15 A).
- Hardware (microseconds timing range): Opens automatically if a short circuit of > 36 A is present.
- Hardware: A 20 A non-replaceable SMD (surface-mounted device) fuse in case the first 2 fuses fail.

11.5 Auxiliary Capacitors Module (ACM 510)

11.5.1 Dimensions

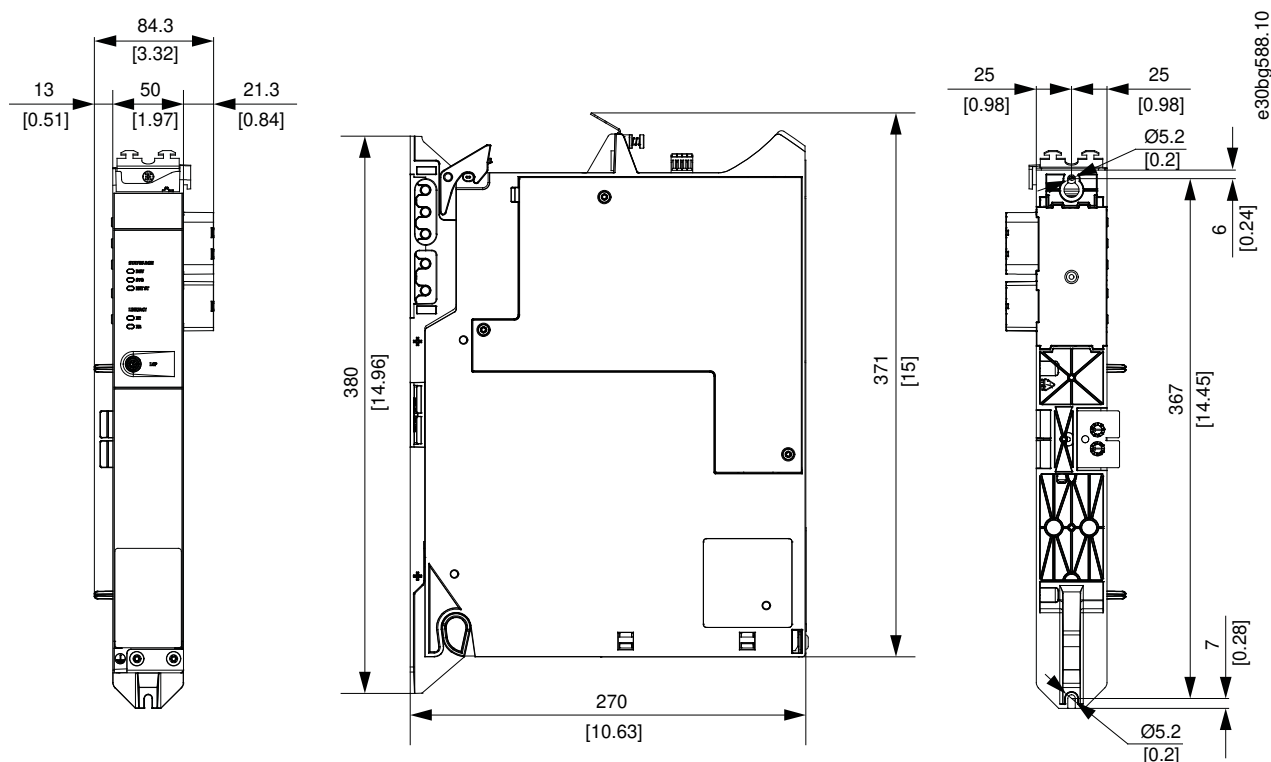


Illustration 129: Dimensions of ACM 510

11.5.2 Characteristic Data for ACM 510

Table 126: Auxiliary Capacitors Module (ACM 510) Characteristic Data

Definition	Unit	Value
DC-link	V DC	565–680 ±10%
DC-link capacitance	µF	2750
U _{AUX}	V DC	24/48 ±10%
U _{AUX} current consumption at 24 V DC	A DC	0.5
U _{AUX} current consumption at 48 V DC	A DC	0.3
Cooling	–	Natural convection
Mounting	–	Wall-mounted on backplate using backlink connector
Weight	kg	3.54
Dimensions (W x H x D)	mm	84 x 371 x 270

11.6 Expansion Module (EXM 510)

11.6.1 Dimensions

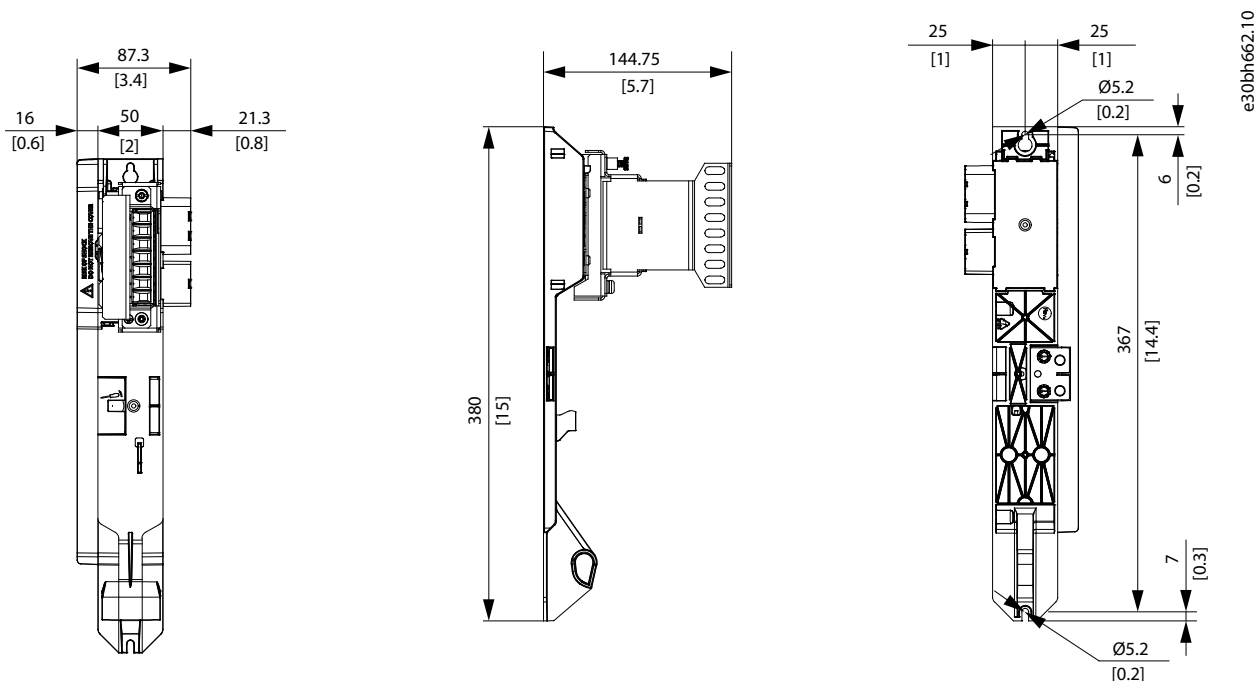


Illustration 130: Dimensions of EXM 510

11.6.2 Characteristic Data for EXM 510

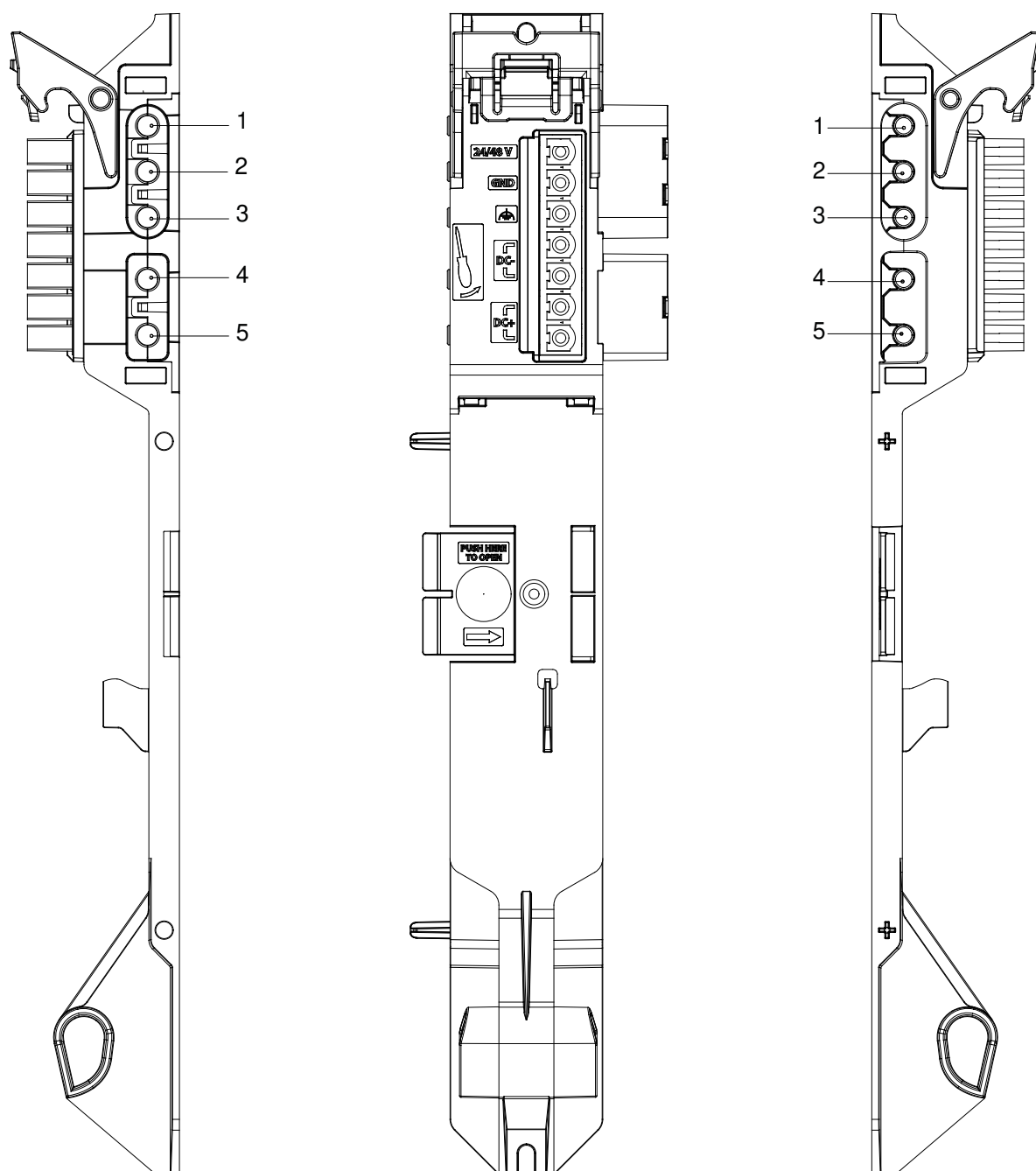
Table 127: Expansion Module (EXM 510) Characteristic Data

Definition	Unit	Value
DC-link	V DC	565–680 ±10%
Maximum current	A DC	62
Mounting	–	Wall-mounted on backplate using backlink connector
Weight	kg	0.6
Dimensions (W x H x D)	mm	87 x 380 x 145

11.7 Connectors on the System Modules

11.7.1 Backlink Connector

The backlink connector is located at the top of the backside of all the MSD 510 system modules.



e30bg449.10

Illustration 131: Pin Assignment of Backlink Connector

Table 128: Pin Assignment of Backlink Connector

Pin	Description
1	24/48 V
2	GND

Pin	Description
3	FE: Functional earth
4	DC-
5	DC+

11.7.2 Brake Connectors

Brake connectors are located on the Power Supply Module (PSM 510) and the Servo Drive Modules (SDM 511/SDM 512).

11.7.2.1 Brake Resistor Connector on PSM 510

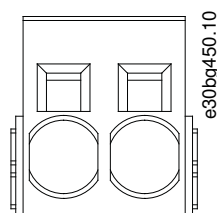


Illustration 132: Brake Connector on PSM 510

Table 129: Pin Assignment of Brake Connector on PSM 510

Pins (left to right)	Description	Notes	Ratings
1	DC+/R+	Used for connecting a brake resistor.	Nominal voltage: 560–800 V DC
2	R-		Maximum brake current: 80 A Conductor cross-section range: 0.75–16 mm ² (AWG 18–AWG 4)

NOTICE

- The maximum length of the brake cable is 30 m (shielded).

11.7.2.2 Brake and Motor Temperature Sensor Connector on SDM 511/SDM 512

The brake connector on SDM 511/SDM 512 is used for both the mechanical brake and the temperature sensor (if present).

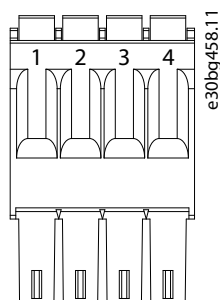


Illustration 133: Brake Connector on SDM 511/SDM 512

Table 130: Brake Connector on SDM 511/SDM 512

Connector name	Description	Pins	Ratings/Notes
Mechanical brake and motor temperature sensor connector	Used to connect the motor's mechanical brake (if present).	See table 131 .	Nominal voltage: 24 V Maximum (peak) voltage: 48 V ±10% Maximum brake current: 2.5 A Conductor cross-section range: 0.2–1.5 mm ² (AWG 24–AWG 16)

Table 131: Pin Assignment of Mechanical Brake and Motor Temperature Sensor Connector on SDM 511/SDM 512

Pins	Description	Notes	Rating/parameter
1	TEMP–	Used to connect the motor's temperature sensor (if present).	KTY83–110
2	TEMP+		KTY84–130 PT1000
3	BRAKE–	Used to connect the motor's mechanical brake (if present).	Nominal voltage: 24 V
4	BRAKE+		Maximum (peak) voltage: 48 V ±10% Maximum brake current: 2.5 A Conductor cross-section range: 0.2–1.5 mm ² (AWG 24–AWG 16)

NOTICE

- The motor temperature measurement can either be connected to the motor feedback connector (see [11.7.13 Motor Feedback Connectors](#)) or the brake and motor temperature sensor connector on the servo drive module SDM 511/SDM 512. The connectors cannot be connected in parallel.

NOTICE

- The signals on this connector are referred to GND and must therefore be reinforced insulated against the motor phases. The internal insulation must withstand 4240 V DC and an 8000 V_{peak} impulse.

NOTICE

- Only PELV potential can be connected to the temperature sensor input.

NOTICE

- The maximum length of the brake cable is 80 m (shielded).

11.7.3 Ethernet Connectors

Ethernet connectors are located on all the system modules.

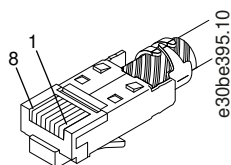


Illustration 134: Ethernet Connector

NOTICE

- Only PELV potential can be connected to the digital inputs and outputs.

11.7.3.1 Ethernet Connectors on PSM 510 and ACM 510

Table 132: Ethernet Connectors on PSM 510 and ACM 510

Connector name	Description	Pins	Ratings
X1 IN	Ethernet IN	1: TX+	According to standard 100BASE-T.
X2 OUT	Ethernet OUT1	2: TX- 3: RX+ 4: - 5: - 6: RX- 7: - 8: -	

11.7.3.2 Ethernet Connectors on DAM 510

Table 133: Ethernet Connectors on DAM 510

Connector name	Description	Pins	Ratings
X1 IN	Ethernet IN	1: TX+	According to standard 100BASE-T.
X2 OUT	Ethernet OUT1	2: TX-	
X3 OUT	Ethernet OUT2 (connection to hybrid cable)	3: RX+ 4: - 5: - 6: RX- 7: - 8: -	

11.7.3.3 Ethernet Connectors on SDM 511/SDM 512

Table 134: Ethernet Connectors

Connector name	Description	Pins	Ratings
SDM1 X1 IN	Ethernet IN1	1: Tx+	According to standard 100BASE-T.
SDM1 X2 OUT	Ethernet OUT1	2: TX-	
SDM2 X1 IN ⁽¹⁾	Ethernet IN2	3: RX+	
SDM2 X2 OUT ⁽¹⁾	Ethernet OUT2	4: -	
		5: -	
		6: RX-	
		7: -	
		8: -	

¹ Only on SDM 512

11.7.4 I/O Connectors

11.7.4.1 I/O Connector on PSM 510/ACM 510

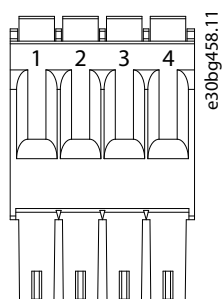


Illustration 135: I/O Connector on PSM 510 (I/O PSM) and ACM 510 (I/O ACM)

Table 135: Pin Assignment of I/O Connector on PSM 510/ACM 510

Pins	Description	Notes	Rating/parameter
1	DIN1-	Digital input	Input voltage: 0–48 V DC
2	DIN1+		High (logic "1") voltage: 15–48 V DC Low (logic "0") voltage: <5 V DC Maximum input signal frequency: 50 Hz Maximum input current at 48 V: 11 mA Maximum input resistance: 4.5 KΩ

Pins	Description	Notes	Rating/parameter
3	DIG_OUT-	Digital output	Maximum voltage between terminals: 24 V DC or AC
4	DIG_OUT+		Maximum current: 1 A Maximum output switching frequency: 50 Hz

The conductor cross-section range is 0.2–1.5 mm² (AWG 24–AWG 16).

NOTICE

- Only PELV potential can be connected to the digital inputs and outputs.

11.7.4.2 I/O Connector on SDM 511/SDM 512

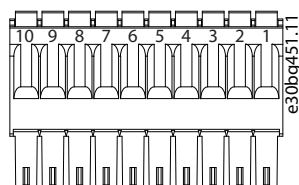


Illustration 136: I/O Connector on SDM 511/SDM 512

Table 136: Pin Assignment of I/O Connector on SDM 511/SDM 512

Pins	Description	Notes	Rating/parameter
1	24 V AUX	–	–
2	Ground	–	–
3	DigInOut1	Digital input/output (switchable via software)	<p>Digital input:</p> <p>Nominal voltage: 0–24 V</p> <p>Bandwidth: ≤100 kHz</p> <p>Digital output:</p> <p>Nominal voltage: 24 V ±20%</p> <p>Maximum current: 150 mA</p> <p>0</p> <p>Maximum switching frequency: 100 Hz</p>

Pins	Description	Notes	Rating/parameter
4	DigOut1	Digital output	Nominal voltage: 24 V ±20% Maximum current: 150 mA <i>(1)</i> Maximum switching frequency: 100 Hz
5	DigOut2		
6	DigOut3		
7	DigIn4	Digital input	Digital input: Galvanic isolated High (logic "1") voltage: 10–30 V DC Low (logic "0") voltage: <5 V DC Nominal voltage: 0–24 V Maximum current: 3 mA Input resistance: 10 kΩ Maximum switching frequency: 100 Hz
8	DigIn3		
9	DigIn2	Analog/digital input	Digital input: Nominal voltage: 0–24 V Bandwidth: ≤100 kHz Analog input: Nominal voltage: 0–10 V Input impedance: 5.46 kΩ Bandwidth: ≤25 kHz
10	DigIn1		

¹ Maximum output current for all 4 digital outputs together. If all 4 digital outputs are used, the maximum output current of each is 30 mA.

The conductor cross-section range is 0.2–1.5 mm² (AWG 24–AWG 16).

NOTICE

- Only PELV potential can be connected to the digital inputs and outputs.

11.7.5 UAUX Connector

The U_{AUX} connector is located on the Power Supply Module (PSM 510).

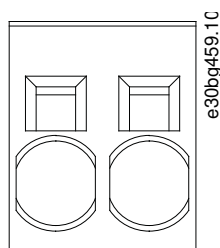


Illustration 137: U_{AUX} Connector

Table 137: Pin Assignment of U_{AUX} Connector

Pins (left to right)	Description	Notes	Rating/parameter
1	24 V AUX	Used for 24–48 V DC input to the Power Supply Module (PSM 510).	Nominal input voltage: 24 V/48 V DC ±10%
2	GND		Nominal current: Depends on the number of servo drives in the application. Maximum current: 50 A Maximum cross-section: 16 mm ² Maximum cable length: 3 m Conductor cross-section range 0.75–16 mm ² , solid or flexible (AWG 18–AWG 4)

NOTICE

- Only PELV potential can be connected to the U_{AUX} input.

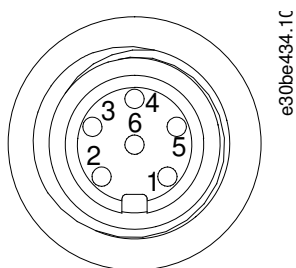
11.7.5.1 24/48 V Cable Cross Sections for PSM 510

Table 138: 24/48 V Cable Cross Sections for PSM 510

Minimum cable cross section for CE (minimum 70 °C, Cu)	16 mm ²
Minimum cable cross section for UL (minimum 60 °C, Cu)	4 AWG

11.7.6 LCP Connector (M8, 6-pole)

The LCP connector is located on the front of all the system modules. It used to connect the LCP directly via a cable.



e30be434.1C

Illustration 138: LCP Connector (M8, 6 pole)

Table 139: Pin Assignment of LCP Connector

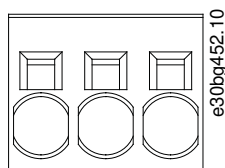
Pins	Description	Notes	Rating/parameter
1	Not connected	–	–
2	/LCP RST	Reset	Active at ≤ 0.5 V
3	LCP RS485	Positive RS485 signal	Speed:
4	/LCP RS485	Negative RS485 signal	38.4 kBd The levels fulfill the RS485 specification.
5	GND	GND	–
6	VCC	5 V supply for LCP	5 V $\pm 10\%$ at 120 mA maximum load

NOTICE

- Only PELV potential can be connected to the LCP input.

11.7.7 AC Mains Connector

The AC mains connector is located on the bottom of the Power Supply Module (PSM 510).



e30bg452.10

Illustration 139: AC Mains Connector

Table 140: Pin Assignment of AC Mains Connector

Pins (left to right)	Description	Notes	Rating/parameter
1	L3	Used to connect L1/L2/L3	Nominal voltage: 400–480 V AC ±10%
2	L2		Nominal power: 30 kW
3	L1		Maximum cross-section: 16 mm ² (AWG 4) Conductor cross-section range 0.75–16 mm ² , solid or flexible (AWG 18–AWG 4)

11.7.7.1 Mains Cable Cross-Sections for PSM 510

Table 141: Mains Cable Cross-Sections for PSM 510

	PSM 510 (10 kW)	PSM 510 (20 kW)	PSM 510 (30 kW)
Minimum cable cross-section for CE	4 mm ² (minimum 70 °C, Cu)	16 mm ² (minimum 70 °C, Cu)	16 mm ² (minimum 90 °C, Cu)
Minimum cable cross-section for UL	AWG 10 (minimum 60 °C, Cu)	AWG 6 (minimum 60 °C, Cu)	AWG 4 (minimum 75 °C, Cu)

11.7.8 Motor Connector

The motor connectors are located on the bottom of the Servo Drive Modules (SDM 511 and SDM 512).

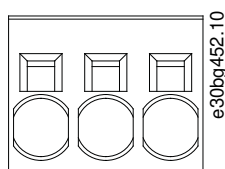


Illustration 140: Motor Connector

Table 142: Pin Assignment of Motor Connector

Pins (left to right)	De- scrip- tion	Notes	Rating/parameter
1	U	SDM 511 has 1 motor connector.	Nominal voltage: 400–480 V AC±10%
2	V		Nominal power: Depends on the servo drive size.
3	W	SDM 512 has 2 motor connectors.	Conductor cross-section range: <ul style="list-style-type: none"> • SDM 511 2.5–20 A_{rms}: Conductor cross-section range 0.2–6 mm², flexible (AWG 24–AWG 8) • SDM 511 40 A_{rms}: Conductor cross-section range 0.75–16 mm², solid or flexible (AWG 18–AWG 4) • SDM 512 2.5–10 A_{rms}: Conductor cross-section range 0.2–6 mm², flexible (AWG 24–AWG 8)

11.7.8.1 Motor Cable Cross-Sections for SDM 511

Table 143: Motor Cable Cross-Sections for SDM 511

	SDM 511 (2.5 A _{rms})	SDM 511 (5 A _{rms})	SDM 511 (10 A _{rms})	SDM 511 (20 A _{rms})	SDM 511 (40 A _{rms})
Minimum cable cross-section for CE (min 70 °C, Cu)	1.5 mm ²			4 mm ²	10 mm ²
Minimum cable cross-section for UL (min 60 °C, Cu)	14 AWG			10 AWG	6 AWG

11.7.8.2 Motor Cable Cross-Sections for SDM 512

Table 144: Motor Cable Cross-Sections for SDM 511

	SDM 512 (2.5 A _{rms})	SDM 512 (5 A _{rms})	SDM 512 (10 A _{rms})
Minimum cable cross-section for CE (min 70 °C, Cu)	1.5 mm ²		
Minimum cable cross-section for UL (min 60 °C, Cu)	14 AWG		

11.7.9 Relay Connector

The relay connector is used for a user-defined reaction and is located as follows:

- Servo Drive Module SDM 511: 1 relay connector
- Servo Drive Module SDM 512: 2 relay connectors
- Power Supply Module PSM 510: 1 relay connector
- Auxiliary Capacitors Module ACM 510: 1 relay connector

NOTICE

- Only PELV potential can be connected to the relay outputs.

11.7.9.1 Relay Connector on PSM 510/ACM 510

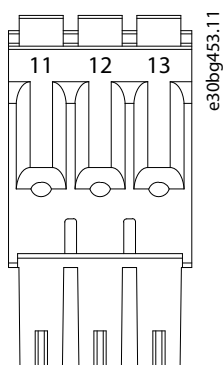


Illustration 141: Relay Connector on PSM 510/ACM 510

Table 145: Pin Assignment of Relay Connector on PSM 510 (REL PSM) and ACM 510 (REL ACM)

Pins	Description	Notes	Rating/parameter
11	NC	Normally closed, 24 V DC	Nominal current: 2 A
12	NO	Normally open, 24 V DC	Conductor cross-section range: 0.2–1.5 mm ² (AWG 24–AWG 16)
13	COM	Common	

11.7.9.2 Relay Connectors on SDM 511/SDM 512

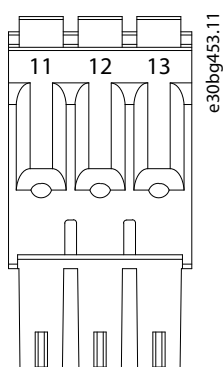


Illustration 142: Relay Connector for SDM 511 Enclosure Size 1 (F51)/SDM 512

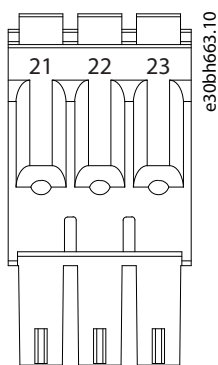


Illustration 143: Relay Connector for SDM 511 Enclosure Size 2 (FS2)

Table 146: Pin Assignment of Relay Connector on SDM 511/SDM 512

Name	Pins	Description	Notes	Rating/parameter
REL SDM1	11	NC	Normally closed, 24 V DC	Nominal current: 2 A Conductor cross-section range: 0.2–1.5 mm ² (AWG 24–AWG 16)
	12	NO	Normally open, 24 V DC	
	13	COM	Common	
REL SDM2 ⁽¹⁾	21	NC	Normally closed, 24 V DC	
	22	NO	Normally open, 24 V DC	
	23	COM	Common	

¹ Only on SDM 512.

11.7.10 STO Connectors

11.7.10.1 STO Connectors on SDM 511 and SDM 512

The STO connectors are located on the Servo Drive Modules as follows:

- SDM 511: 1 input and 1 output STO connector
- SDM 512: 2 input and 2 output STO connectors

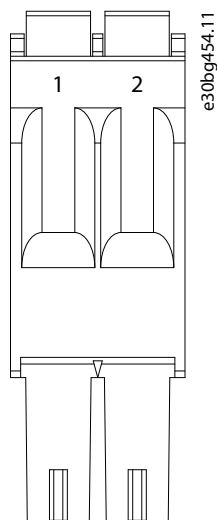


Illustration 144: STO Connectors on SDM 511/SDM 512

Table 147: Pin Assignment of STO Connectors on SDM 511/SDM 512

Connector name	Pins	Description	Notes	Rating/parameter
SDM511:	1	STO-	Used for STO output voltage 1/2 to the input of the PSM 510, DAM 510, or SDM 511/2.	Nominal voltage: 24 V DC ±10%
• STO SDM	2	STO+		Nominal current: Depends on the number of servo drives in the application.
SDM512:	3	STO-	Used for STO input voltage 1/2.	Maximum current: 1 A
• STO SDM1 • STO SDM2	4	STO+		Conductor cross-section range: 0.2–1.5 mm ² (AWG 24–AWG 16)

NOTICE

- Only PELV potential can be connected to the STO inputs.

11.7.10.2 STO Connectors on PSM 510

There is 1 input and 1 output STO connector on the Power Supply Module (PSM 510).

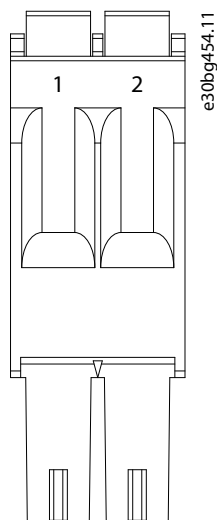


Illustration 145: STO Output Connector on PSM 510

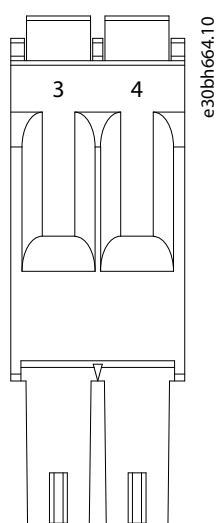


Illustration 146: STO Input Connector on PSM 510

Table 148: Pin Assignment of STO Connectors on PSM 510

Connector name	Pins	Description	Notes	Rating/parameter
STO PSM	1	STO-	Used for STO output voltage to the input of the other system modules.	Nominal voltage: 24 V DC \pm 10%
	2	STO+		Nominal current: Depends on the number of servo drives in the application.
	3	STO-	Used for STO input voltage.	Maximum current: 1 A
	4	STO+		Conductor cross-section range: 0.2–1.5 mm ² (AWG 24–AWG 16)

NOTICE

- Only PELV potential can be connected to the STO inputs.

11.7.10.3 STO Connectors on the DAM 510

11.7.10.3.1 STO Connectors on the Top of DAM 510

There is 1 input and 1 output STO connector on the top of the Decentral Access Module (DAM 510).

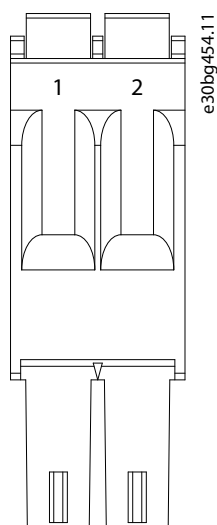


Illustration 147: STO Output Connector on the Top of DAM 510

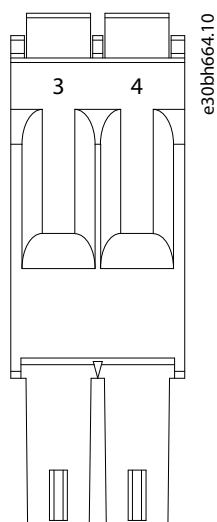


Illustration 148: STO Input Connector on the Top of DAM 510

Table 149: Pin Assignment of STO Connectors on the Top of DAM 510

Connector name	Pins	Description	Notes	Rating/parameter
STO DAM	1	STO-	Used for STO output voltage to the input of the other system modules.	Nominal voltage: 24 V DC ±10%
	2	STO+		Nominal current: Depends on the number of servo drives in the application.
	3	STO-	Used for STO input voltage.	Maximum current: 1 A
	4	STO+		Conductor cross-section range: 0.2–1.5 mm ² (AWG 24–AWG 16)

NOTICE

- Only PELV potential can be connected to the STO inputs.

11.7.10.3.2 STO Connector on the Bottom of DAM 510

There is 1 output STO connector on the bottom of the Decentral Access Module (DAM 510). The output is for the hybrid cable.

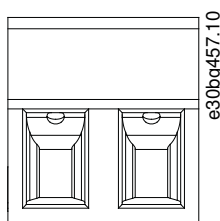


Illustration 149: STO Connector on the Bottom of DAM 510

Table 150: Pin Assignment of STO Connector on the Bottom of DAM 510

Connector name	Pins (left to right)	Description	Notes	Rating/parameter
STO DAM	1	STO+	Used for the STO output from the DAM to the hybrid cable.	Nominal voltage: 24 V DC ±10%
	2	STO-		Nominal current: Depends on the number of servo drives in the application. Maximum current: 1 A Conductor cross-section range: 0.2–1.5 mm ² (AWG 24–AWG 16) Plug terminal tightening torque: 0.22–0.25 Nm

11.7.11 UDC Connector

The UDC connector is located on the bottom of the Decentral Access Module (DAM 510).

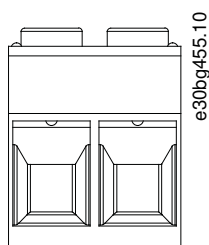


Illustration 150: UDC Connector

Table 151: Pin Assignment of UDC Connector

Pins (left to right)	Description	Notes	Rating/parameter
1	UDC+	Used to connect the DC-link voltage from the Decentral access Module (DAM 510) to the hybrid cable for the ISD line.	Nominal voltage: 560–800 V DC
2	UDC–		Nominal current: Depends on the number of servo drives in the application. Maximum current: 25 A Conductor cross-section range: 0.2–6 mm ² (AWG 24–AWG 10) Plug terminal tightening torque: 0.5–0.8 Nm

11.7.12 AUX Connector

The AUX connector is located on the bottom of the Decentral Access Module (DAM 510).

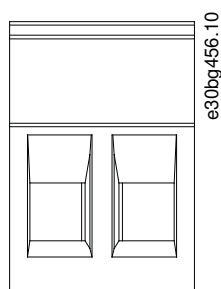


Illustration 151: AUX Connector

Table 152: Pin Assignment of AUX Connector

Pins (left to right)	Description	Notes	Rating/parameter
1	AUX+ (24/48 V)	Used to connect the AUX output from the Decentral access Module (DAM 510) to the hybrid cable for the servo drive line.	Nominal voltage: 24/48 V DC ±10%
2	AUX- (GND)		Nominal current: Depends on the number of servo drives in the application. Maximum current: 15 A Conductor cross-section range: 0.2–2.5 mm ² (AWG 24–AWG 12) Plug terminal tightening torque: 0.5–0.6 Nm

NOTICE

- Only PELV potential can be connected to the AUX output.

11.7.13 Motor Feedback Connectors

The motor feedback connectors allow the connection of an encoder or resolver to the Servo Drive Modules SDM 511/SDM 512.

SDM 511 has 1 motor feedback connector (E SDM1).

SDM 512 has 2 motor feedback connectors (E SDM1 and E SDM2).

The motor feedback connectors fulfill the following specifications:

- BISS B
- Resolver
- HIPERFACE®
- HIPERFACE® DSL
- EnDat 2.1
- EnDat 2.2

Use a shielded feedback cable that fulfills the requirements for the used feedback type. The maximum cable length is 80 m.

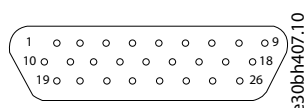


Illustration 152: Motor Feedback Connector on SDM 511/SDM 512

Table 153: Pin Assignment of Motor Feedback Connectors E SDM1 and E SDM2

Pins	Description	Resolver	BISS B	HIPER-FACE	HIPER-FACE DSL	EnDat 2.1 and 2.2	Rating/parameter
1	\RESCOS	X	–	X	–	(1)	Resolver negative cosine input
2	RESCOS	X	–	X	–	(1)	Resolver positive cosine input
3	SUPPLY+ ⁽²⁾	–	X	X	–	X	+5/11 V (depending on feedback type), maximum 250 mA
4	\RXTX	–	X	X	–	X	Encoder negative data signal
5	RXTX	–	X	X	–	X	Encoder positive data signal
6	HIPERFACE_DSL+	–	–	–	X	–	HIPERFACE DSL positive line
7	–	–	–	–	–	–	–
8	–	–	–	–	–	–	–
9	TEMP–	X	X	X	–	X	Motor temperature sensor input
10	\RESSIN	X	–	X	–	(1)	Resolver negative sine input
11	SUPPLY+ ⁽²⁾	–	–	–	–	–	+5/11 V (depending on feedback type), maximum 250 mA
12	SUPPLY– ⁽²⁾	–	X	X	–	X	GND
13	\RESSY	X	–	–	–	(1)	Resolver negative exciter output
14	RESSY	X	–	–	–	(1)	Resolver positive exciter output
15	HIPERFACE_DSL–	–	–	–	X	–	HIPERFACE DSL negative line
16	–	–	–	–	–	–	–
17	–	–	–	–	–	–	–
18	TEMP+	X	X	X	–	X	Motor temperature sensor input
19	RESSIN	X	–	X	–	(1)	Resolver positive sine input
20	ENC_CLK	–	X	–	–	X	Encoder positive clock signal
21	\ENC_CLK	–	X	–	–	X	Encoder negative clock signal
22	SUPPLY+ ⁽²⁾	–	X	X	–	X	+5/11 V (depending on feedback type), maximum 250 mA
23	SENS+ ⁽³⁾	–	X	X	–	X	Positive supply sense line
24	SENS– ⁽³⁾	–	X	X	–	X	Negative supply sense line
25	SUPPLY– ⁽²⁾	–	X	X	–	X	GND
26	–	–	–	–	–	–	–

¹ The SINE and COSINE signals are optional for EnDat

² The supply switches automatically between 5 V and 11 V depending on which feedback type is selected. Pins 3, 11, and 22 are all equivalent and it is not necessary to connect all of them. To reduce the voltage drop over the feedback cable, it is possible to use multiple supply lines in parallel.

³ To activate the internal power supply compensation, connect the 2 sense lines (SENS+ and SENS–) on the motor side to the supply (SUPPLY+ and SUPPLY–). This automatically adapts the supply voltage, depending on the cable length, and compensates the voltage drop over the feedback cable.

NOTICE

- The motor temperature measurement can either be connected to the motor feedback connector or the brake and motor temperature sensor connector on the servo drive module SDM 511/SDM 512 (see [11.7.2.2 Brake and Motor Temperature Sensor Connector on SDM 511/SDM 512](#)). The connectors cannot be connected in parallel.

NOTICE

- Only PELV potential can be connected to the motor feedback connector.

11.7.14 External Encoder Connectors

This connector is used to connect an external encoder to SDM 511/SDM 512 and DAM 510. It provides a guide value for CAM mode and Gear mode.

The external encoder connectors are located on the Servo Drive Modules (SDM 511/SDM 512) and the Decentral Access Module (DAM 510) as follows:

- SDM 511: E SDM1
- SDM 512: E SDM1 and E SDM2
- DAM 510: E DAM

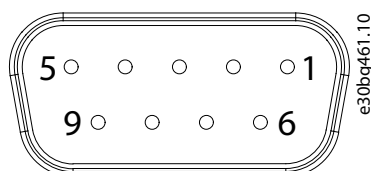


Illustration 153: External Encoder Connector

Table 154: External Encoder Connectors

Connector name	Description	Pins	Ratings/Notes
E SDM1/ E SDM2/ E DAM	Used to connect the external encoder to SDM 511/SDM 512/DAM 510.	See table 155 .	<p>Nominal voltage: 24 V DC, isolated (see table 155)</p> <p>Nominal current: Depends on the number of servo drives in the application.</p> <p>Maximum current: 150 mA (see table 155)</p> <p>Fulfill the following specifications:</p> <ul style="list-style-type: none"> • BISS/SSI

Table 155: Pin Assignment of External Encoder Connectors (X1/X2)

Pins	Description	Notes	Notes
		SSI/BISS	
1	24 V	24 V DC \pm 10% (used for powering the encoder)	Maximum current: 150 mA
2	–	–	–
3	–	–	–
4	RS422 RXD	Positive data	Bus speed: SSI: Up to 10 Mhz clock frequency with 30 m cable. BiSS: Fulfills the RS485 specification.
5	RS422 TXD	Positive data	
6	GX	Isolated ground. If encoders are powered externally, the ground of the external supply must be connected to GX.	–
7	–	–	–
8	/RS422 RXD	Negative data	Bus speed: SSI: 0.5 Mbit with 25 m cable. BiSS: Fulfills the RS485 specification.
9	/RS422 TXD	Negative data	

NOTICE

- Only PELV potential can be connected to the external encoder.

11.7.15 Expansion Module Connector

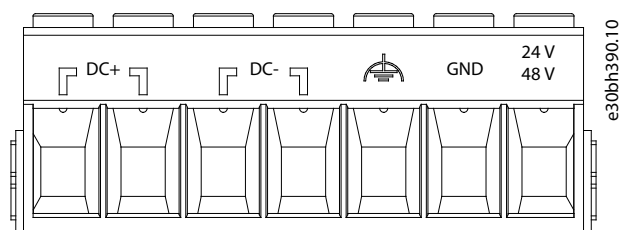


Illustration 154: Expansion Module Connector

Table 156: Pin Assignment of Expansion Module Connector

Pins (left to right)	Description	Note	Rating/parameter
1	DC+	Shield the DC cables using the cable tie on the EXM 510 EMC plate.	Nominal voltage: 560–800 V DC
2			Nominal current: Depends on the number of servo drives in the application.
3	DC–		Maximum current: 62 A
4			⁽¹⁾
5	FE (functional earth)	–	Conductor cross-section range: 0.75–16 mm ² , solid or flexible (AWG 18–AWG 4)
6	GND	–	Only use with ferrule without plastic sleeve with CRIMPFOX 16 S.
7	24/48 V	–	Use shielded conductors for UDC (DC+, DC–). Plug terminal tightening torque: 1.7–1.8 Nm

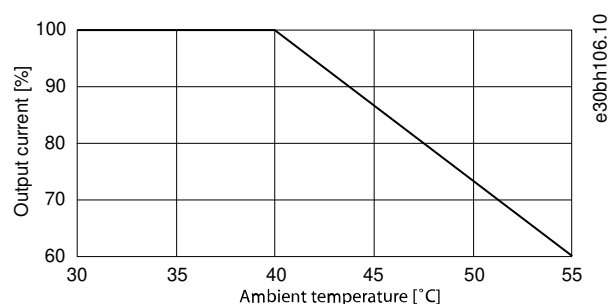
¹ The maximum current rating for 1 pair of EXM is 62 A. In systems with 2 PSM 510 modules, 2 pairs of EXM 510 modules can be used to achieve a maximum current rating of 124 A.

11.8 General Specifications and Environmental Conditions for MSD 510 System

Table 157: General Specifications and Environmental Conditions for MSD 510 System

Specification	Value
Protection rating	IP20 according to IEC/EN 60529 (except connectors, which are IP00). <div style="border: 1px solid black; padding: 5px; text-align: center;"> <p>⚠ WARNING ⚠</p> <p>RISK OF ELECTRICAL SHOCK</p> <p>The IP20 rating of the system is not fulfilled if the system is operated with a module that is not connected to the backplate. This may result in death or serious injury.</p> <ul style="list-style-type: none"> - Do not touch the backplate when a module is removed from the backplate. </div>
Vibration test	Random vibration: 1.14 g (2h/axis according to EN 60068-2-64) Sinusoidal vibration: 0.7 g (2h/axis according to EN 60068-2-6)
Maximum relative humidity	Storage/transport: 5–95% (non-condensing) Stationary use: 5–93% (non-condensing)
Ambient temperature range	Operating: 5–40 °C nominal, up to 55 °C with derating (see illustration 155) Transport: –25 °C to +55 °C Storage: –25 °C to +55 °C

Specification	Value
Installation altitude	Nominal current up to 1000 m above sea level. Derating of output current (1% / 100 m) at 1000–3000 m. Operation above 3000 m is not permitted.
EMC standard for emission and immunity	EN 61800-3
EMC immunity for functional safety	EN 61800-5-2 Annex E
Degree of pollution according to EN 60664-1	2
Overvoltage category according to EN 61800-5-1	III


Illustration 155: Derating

11.9 Storage

Store the servo system components in a dry, dust-free location with low vibration ($v_{\text{eff}} \leq 0.2 \text{ mm/s}$).

The storage location must be free from corrosive gases.

Avoid sudden temperature changes.

Long-term Storage

To recondition the electrolytic capacitors, servo drives and system components not in service must be connected to a supply source once per year to allow the capacitors to charge and discharge. Otherwise the capacitors could suffer permanent damage.

Index

A	
AC mains connector	223
ACM_REF	91
Application areas	24
Application example for STO	156
Approvals	15
Automation Studio™	87
Automation Studio™: importing DAM	94, 95
Automation Studio™: Project creation	87
AUX connector	232
AXIS_REF_DDS	90, 103
B	
Backlink connector	213
Brake connector	215
C	
Cable replacement	196
Certifications	15
Characteristic data: STO	161
Circuit breakers	61, 62
Communication: Direct	139
Communication: Indirect	135
Connectors on SDM 511	29
Connectors on SDM 512	31
Copyright	14
D	
DAM_REF	91, 103, 104
Direct communication	139
Disposal	201
E	
Electrical environmental conditions	57
Electrical installation warnings	57
Environmental conditions	49
Error codes: STO	160
EtherCAT®	45
EtherCAT® ID assignment	82
EtherCAT® slave	138
Ethernet connectors	218, 218, 219
Ethernet POWERLINK®	47
Ethernet POWERLINK® ID assignment	82
Ethernet POWERLINK® master	142
Expansion module connector	237
External encoder connector	235
F	
Feed-in cable	42
Feed-in cable connection	197
Feed-in cable disconnection	197
Feed-in cable replacement	197
Fieldbus	45
Firewall settings for VLT® Servo Toolbox	135
Firmware	44
Function blocks	145
Fuses	61, 62
G	
Grounding	59
H	
Hybrid cable	42
I	
I/O configuration	96, 108
I/O connector	219, 220
I/O mapping	96, 108
ID assignment: EtherCAT®	82
ID assignment: Ethernet POWERLINK®	82
ID assignment: PROFINET®	84
Indirect communication	135
Installation procedure	53
Installation tools	52
IP-rating	237
L	
LCP	37
LCP connector	222
LEDs	148
Libraries	86
Loop cable	42
Loop cable connection	198
Loop cable disconnection	198
Loop cable replacement	198

M	
Motion functions	148
Motion library	145
Motor connector	224
Motor feedback connector	233
Multiple device ID assignment	83
N	
Nameplates	202
NC axis (TwinCAT®)	111
O	
Operating modes	147
Overview ACM 510	34
Overview DAM 510	32
Overview EXM 510	36
Overview PSM 510	25
Overview SDM 511/512	27
P	
PLC cycle time	98, 110
Product returns	201
PROFINET® ID assignment	84
Programming guidelines	
Automation Studio™ and TwinCAT®	112
SIMOTION SCOUT®	133
Programming template	146
Programming with Automation Studio™	87
Programming with SIMOTION SCOUT®	113
Programming with TwinCAT®	99
Protection rating	237
PSM_REF	90, 103
Q	
Qualified personnel	21
R	
Recycling	201
Relay connector	225
Repair	193
Resources for servo system	14
S	
Safety during installation	48
Safety instructions	18
Safety supply requirements	62
Service and support	22
SIMOTION SCOUT®	113
Single device ID assignment	82
Software	44
Software updates	16
Space requirements for system modules	50
STO application example	156
STO characteristic data	161
STO commissioning test	157
STO connector	227, 228, 230
STO error codes	160
Storage	238
Switching on the MSD 510 system	86
System module replacement	194
T	
Terminology	17
Tools required for installation	52
Trademarks	14
Transport	48
TwinCAT® project creation	99
TwinCAT®: Adding a PLC project	104
TwinCAT®: Importing devices	105
U	
UAUX connector	221
UDC connector	232
V	
VLT® Servo Toolbox	134
VLT® Servo Toolbox: Communication	135
VLT® Servo Toolbox: Installation	134
VLT® Servo Toolbox: PC requirements	134
W	
Warnings for electrical installation	57

VLT Servo Drive Systems Glossary

A	
A-flange	The A side is the shaft side of the servomotor.
ACM	Auxiliary Capacitors Module.
Ambient temperature	The temperature in the immediate vicinity of the servo system or component.
Automation Studio™	Automation Studio is a registered trademark of B&R. It is the integrated software development environment for B&R controllers.
B	
Bearings	The ball bearings of the servomotor.
Beckhoff®	Beckhoff is a registered trademark of and licensed by Beckhoff Automation GmbH, Germany.
B&R	Multi-national company, specializing in factory and process automation software and systems for a wide range of industrial applications.
B side	The rear side of the servo drive with the plug-and-socket connectors.
Brake	Mechanical holding brake on the servo drive.
C	
CANopen®	CANopen is a registered community trademark of CAN in Automation e.V.
CE	European test and certification mark.
CIA DS 402	Device profile for drives and motion control. CIA is a registered community trademark of CAN in Automation e.V.
Connector (M23)	Servo drive hybrid connector.
Cooling	Decentral servo drives are cooled by natural convection (without fans). The Servo Drive Modules SDM 511/SDM 512 and all system modules except the ACM 510 are cooled by an internal fan.
D	
DAM	Decentral Access Module
DC-link	Each servo drive has its own DC-link, consisting of capacitors.
DC-link voltage	A DC voltage shared by several servo drives connected in parallel.
DC voltage	A direct constant voltage.
DSD	Decentral Servo Drive
E	
EPSSG	Ethernet POWERLINK Standardization Group.
ETG	EtherCAT Technology Group
EtherCAT®	EtherCAT (Ethernet for Control Automation Technology) is an open high-performance Ethernet-based fieldbus system. EtherCAT is registered trade-

Ethernet POWERLINK®

mark and patented technology, licensed by Beckhoff Automation GmbH, Germany.

Ethernet POWERLINK is a deterministic real-time protocol for standard Ethernet. It is an open protocol managed by the Ethernet POWERLINK Standardization Group (EPSG). It was introduced by Austrian automation company B&R in 2001.

F
Feed-in cable

Hybrid connection cable between the Decentral Access Module (DAM 510) and ISD 510/DSD 510 servo drive.

Feedback system

The feedback system measures the rotor position.

Fieldbus

Communication bus between controller and servo axis and system modules; in general between controller and field nodes.

Firmware

Software in the unit; runs on the control board.

Function block

Device functionalities are accessible via the engineering environment software.

I
IGBT

The insulated-gate bipolar transistor is a 3-terminal semiconductor device, primarily used as an electronic switch to combine high efficiency and fast switching.

Installation elevation

Installation elevation above normal sea level, typically associated with a derating factor.

IRT

Isochronous Real-Time.

ISD

Integrated Servo Drive

L
LCP

Local control panel.

Loop cable

Hybrid connection cable between 2 decentral servo drives, with 2 M23 connectors.

M
M23 connectors

Connectors (X1 & X2) for connecting the hybrid feed-in and loop cables on the B side of the standard and advanced version of the ISD 510/DSD 510 servo drive.

MSD

Multi-axis Servo Drive

Motor shaft

Rotating shaft on the A side of the servo motor, typically without a key groove.

Multi-turn encoder

Describes an absolute encoder, in which the absolute position remains known after several revolutions.

P

PLC	A programmable logic controller is a digital computer used for automation of electromechanical processes, such as control of machinery on factory assembly lines.
PELV	Protected extra low voltage is an electricity supply voltage in a range which carries a low risk of dangerous electrical shock.
PLCopen[®]	The name PLCopen is a registered trademark and, together with the PLCopen logos, is owned by the association PLCopen. PLCopen is a vendor- and product-independent worldwide association, that defines a standard for industrial control programming.
POU	Program organization unit. This can be a program, function block, or function.
PSM	Power Supply Module.
PWM	Pulse width modulation.
R	
RCCB	Residual current circuit breaker.
Resolver	A feedback device for servomotors, typically with 2 analog tracks (sine and cosine).
S	
Safety (STO)	A servo drive safety circuit that switches off the voltages of the driver components for the IGBTs.
Scope	Scope is part of the DDS Toolbox software and is used for diagnosis. It enables internal signals to be depicted.
SDM	Servo Drive Module.
SIL 2	Safety Integrated Level II.
Single-turn encoder	Describes an absolute encoder, in which the absolute position for 1 revolution remains known.
SSI	Synchronous serial interface.
Standstill (servo drive)	Power is on, there is no error in the axis, and there are no motion commands active on the axis.
STO	Safe Torque Off function. On activation of STO, the ISD 510 servo drive is no longer able to produce torque in the motor.
System modules	This term includes the Power Supply Module (PSM 510), the Decentral Access Module (DAM 510), and the optional Auxiliary Capacitors Module (ACM 510).
T	
TwinCAT[®]	TwinCAT is a registered trademark of and licensed by Beckhoff Automation GmbH, Germany. It is the integrated software development environment for controllers from Beckhoff.

U**UAUX**

Auxiliary supply, provides power to the control electronics of the servo drives and the Power Supply Module (PSM 510), Decentral Access Module (DAM 510), and Auxiliary Capacitors Module (ACM 510).

V**VLT® Servo Toolbox**

A pc software tool used for parameter setting and diagnostics of VLT Servo Drive systems

W**Wireshark®**

Wireshark is a network protocol analyzer released under the GNU General Public License version 2.

ENGINEERING
TOMORROW

Danfoss

.....
Danfoss can accept no responsibility for possible errors in catalogues, brochures and other printed material. Danfoss reserves the right to alter its products without notice. This also applies to products already on order provided that such alterations can be made without subsequential changes being necessary in specifications already agreed. All trademarks in this material are property of the respective companies. Danfoss and the Danfoss logotype are trademarks of Danfoss A/S. All rights reserved.
.....

Danfoss A/S
Ulsnaes 1
DK-6300 Graasten
vlt-drives.danfoss.com

