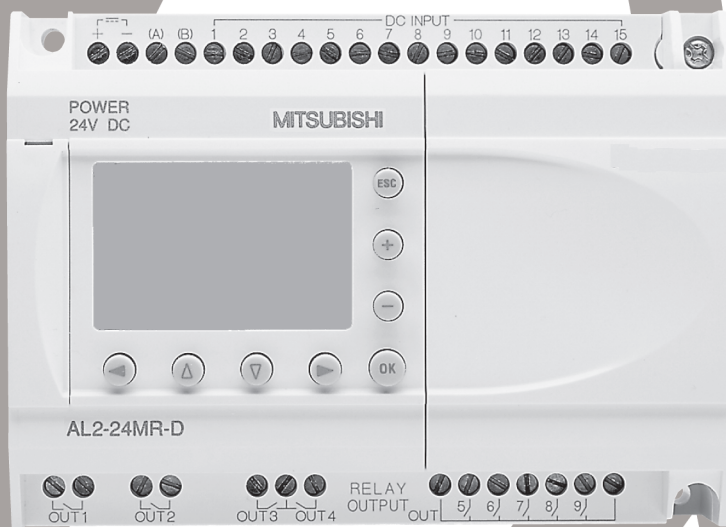


SIMPLE APPLICATION CONTROLLER



ENG

GER

FRE

ITL

ESP

SWE

RUS

α 2 Simple Application Controller

HARDWARE MANUAL

HARDWARE-HANDBUCH

MANUEL DU MATÉRIEL

MANUALE HARDWARE

MANUAL DE HARDWARE

MASKINVARUHANDBOK

РУКОВОДСТВО ПО АППАРАТНОЙ ЧАСТИ

Foreword

- This manual contains text, diagrams and explanations which will guide the reader in the correct programming and operation of the α/α2 series controller.
- Before attempting to install or use the α/α2 Series Controller this manual should be read and understood.
- If in doubt at any stage of the installation of the α/α2 Series Controller always consult a professional electrical engineer who is qualified and trained to local and national standards which apply to the installation site.
- If in doubt about the operation or use of the α/α2 Series Controller please consult your local Mitsubishi Electric representative.
- If the equipment is used in a manner not specified by the manufacturer, the protection provided by the equipment may be impaired.
- Under no circumstances will Mitsubishi Electric be liable or responsible for any consequential damage that may arise as a result of the installation or use of this equipment.
- All examples and diagrams shown in this manual are intended only as an aid to understanding the text, not to guarantee operation. Mitsubishi Electric will accept no responsibility for actual use of the product based on these illustrative examples.
- This product has been manufactured as a general-purpose part for general industries, and has not been designed or manufactured to be incorporated in a device or system used in purposes related to human life.
- Please contact a Mitsubishi Electric distributor for more information concerning applications in life critical situations or high reliability.
- When disposing of this product, treat it as industrial waste.
- This manual is subject to change without notice.

This manual confers no industrial property rights or any rights of any other kind, nor does it confer any patent licenses. Mitsubishi Electric Corporation cannot be held responsible for any problems involving industrial property rights which may occur as a result of using the contents noted in this manual.

α2 Simple Application Controller

ENG

Hardware Manual

Manual number: JY992D97301

Manual revision: P

Date: 8/2023

Guidelines for the Safety of the User and Protection of equipment

This manual provides information for the use of the α2 Series Controllers. The manual has been written to be used by trained and competent personnel. The definition of such a person or persons is as follows;

- a) Any engineer who is responsible for the planning, design and construction of automatic equipment using the product associated with this manual should be of a competent nature, trained and qualified to the local and national standards required to fulfill that role. These engineers should be fully aware of all aspects of safety with regards to automated equipment.
- b) Any commissioning or service engineer must be of a competent nature, trained and qualified to the local and national standards required to fulfill that job. These engineers should also be trained in the use and maintenance of the completed product. This includes being completely familiar with all associated documentation for the said product. All maintenance should be carried out in accordance with established safety practices.
- c) All operators of the completed equipment (See Note) should be trained to use that product in a safe manner in compliance to established safety practices. The operators should also be familiar with documentation which is connected with the actual operation of the completed equipment.

Note : The term 'completed equipment' refers to a third party constructed device which contains or uses the product associated with this manual.
For cleaning, perform dry wiping without using chemicals.

Notes on the Symbols Used in this Manual

At various times through out this manual certain symbols will be used to highlight points of information which are intended to ensure the users personal safety and protect the integrity of equipment. Whenever any of the following symbols are encountered its associated note must be read and understood. Each of the symbols used will now be listed with a brief description of its meaning.

Hardware Warnings



1) Indicates that the identified danger **WILL** cause physical and property damage.



2) Indicates that the identified danger could **POSSIBLY** cause physical and property damage.



3) Indicates a point of further interest or further explanation.

Software Warnings



4) Indicates special care must be taken when using this element of software.



5) Indicates a special point which the user of the associate software element should be aware of.



6) Indicates a point of interest or further explanation.

- Under no circumstances will Mitsubishi Electric be liable or responsible for any consequential damage that may arise as a result of the installation or use of this equipment.
- All examples and diagrams shown in this manual are intended only as an aid to understanding the text, not to guarantee operation. Mitsubishi Electric will accept no responsibility for actual use of the product based on these illustrative examples.
- Please contact a Mitsubishi Electric distributor for more information concerning applications in life critical situations or high reliability.

Further Information Manual Lists

	Manual Name	Manual No.	Description
⊙	α2 Hardware Manual (This manual)	JY992D97301	This manual contains hardware explanations for wiring, installation and specification for the α2 Series controllers.
⊙	α2 Programming Manual <English only>	JY992D97101	This manual contains instruction explanations for the α2 Series controllers.
○	α Software Manual <English only>	JY992D74001	This manual contains explanations of operation of AL-PCS/WIN-E Programming Software.
○	α2 Series Communication User's Manual <English only>	JY992D97701	This manual contains explanations for the setup, messaging, diagnostics, bit assignments, etc for communications using the α2 series controller.
□	α2 Series Installation Manual	JY992D97501	This manual contains installation explanations for the α2 Series controller.
□	AL2-4EX, AL2-4EX-A2, AL2-4EYR, AL2-4EYT Installation Manual	JY992D97401	This manual contains installation explanations for the AL2-4EX, AL2-4EX-A2, AL2-4EYR and AL2-4EYT extension module.
□	AL2-EEPROM-2 Hardware Manual	JY992D96801	This manual contains hardware explanations for the AL2-EEPROM-2.
□	AL2-2DA Installation Manual	JY997D09301	This manual contains installation explanations for the AL2-2DA.
□	AL2-2PT-ADP Installation Manual	JY997D09401	This manual contains installation explanations for the AL2-2PT-ADP.
□	AL2-2TC-ADP Installation Manual	JY997D09501	This manual contains installation explanations for the AL2-2TC-ADP.
□	AL-232CAB Hardware Manual	JY992D76001	This manual contains hardware explanations for the AL-232CAB.
□	AL2-GSM-CAB Hardware Manual	JY992D97201	This manual contains hardware explanations for the AL2-GSM-CAB.
□	AL-ASI-BD, AL2-ASI-BD Hardware Manual	JY992D81401	This manual contains hardware explanations of wiring, installation and specification, etc. for AL-ASI-BD and AL2-ASI-BD.

⊙ Refer to these manuals.

○ Refer to this manual if necessary.

□ Refer to the content of these manuals if necessary though it is included in α2 Hardware Manual.

Abbreviations

The following definitions or abbreviations will be used throughout this manual.

- The AL-PCS/WIN-E software will be referred to as the VLS software or the programming software.
- The α2 Series Simple Application Controller may be referred to as the α2 series, the α2 series controller or the main module.
- Function Blocks may be referred to as FB(s).
- Function Block Diagram may be referred to as FBD.
- Input/Output may be referred to as I/O.
- Personal Computer may be referred to as PC
- Microsoft Windows[®], Windows[®] 95, Windows[®] 98, Windows[®] Me, WindowsNT[®] Workstation 4.0, Windows[®] 2000, Windows[®] XP and Windows Vista[®] may be referred to generically as Windows.

Registration

- Microsoft Windows[®], Windows[®] 95, Windows[®] 98, Windows[®] Me, WindowsNT[®] Workstation 4.0, Windows[®] 2000, Windows[®] XP and Windows Vista[®] are either registered trademarks or trademarks of Microsoft Corporation in the United States and/or other countries.
- The company name and the product name to be described in this manual are the registered trademarks or trademarks of each company.

Table of Contents

Guidelines of Safety	ENG-iii
1. Introduction.....	ENG-1
1.1 Special Features of the α2 Series System.....	ENG-2
1.2 Available Models	ENG-3
1.3 Dimensions and Each Part Name	ENG-4
1.4 System Configuration	ENG-6
1.5 Version Up List	ENG-7
1.6 Applicable Programming Software	ENG-7
2. Specifications	ENG-8
2.1 Power Supply Specification	ENG-8
2.2 Input Specification	ENG-9
2.3 Output Specification	ENG-11
2.4 General Specification	ENG-12
3. Installation	ENG-14
3.1 Installation Mounting Notes	ENG-14
3.2 DIN RAIL Mounting of Main Unit	ENG-15
3.2.1 Installation	ENG-15
3.2.2 Remove	ENG-15
3.3 Direct Mounting of Main Unit	ENG-16
3.4 Install Extension Module(AL2-14MR-*,AL2-24MR-*).....	ENG-17
4. Wiring	ENG-18
4.1 Installation Wiring Notes.....	ENG-18
4.2 Wire Size	ENG-19
4.3 Power Supply	ENG-20
4.4 AC Power Supply and Input Wiring	ENG-21
4.4.1 AC Power Supply and Input Wiring	ENG-21
4.4.2 AL2-4EX-A2 Input Wiring	ENG-21
4.5 DC Power Supply and Input Wiring	ENG-22
4.5.1 DC Power Supply and Source (“+” Common) Input Wiring Diagram	ENG-22
4.5.2 AL2-4EX Source (“+” Common) Input Wiring Diagram	ENG-22
4.5.3 DC Power Supply and Sink (“-” Common) Input Wiring Diagram.....	ENG-23
4.5.4 AL2-4EX Sink (“-” Common) Input Wiring Diagram.....	ENG-23
4.6 Output Relay and Transistor Wiring	ENG-24
4.6.1 Relay Output Wiring Diagram main unit (AC and/or DC)	ENG-24
4.6.2 Relay Output Wiring Diagram AL2-4EYR (AC and/or DC).....	ENG-25
4.6.3 Transistor Output (Source or “+” Common Only) Wiring Diagram AL2-4EYT... ..	ENG-26
5. Terminal Layout.....	ENG-27
6. AL2-EEPROM-2	ENG-30
6.1 Installation	ENG-31

7. AL-232CAB	ENG-32
7.1 Introduction	ENG-32
7.1.1 External Dimensions	ENG-32
7.2 Connected to AL-232CAB cable	ENG-33
8. AL2-GSM-CAB	ENG-36
8.1 Introduction	ENG-36
8.1.1 External Dimensions	ENG-36
8.1.2 System Configuration with using AL2-GSM-CAB	ENG-37
8.2 Installation	ENG-38
8.3 Remote Maintenance with a Modem	ENG-40
8.3.1 Recommended Modems	ENG-40
8.3.2 RS-232C Straight Cable Between Modem and AL2-GSM-CAB	ENG-40
8.3.3 Modem Setting	ENG-41
9. AL2-ASI-BD (AL2-14MR-*, AL2-24MR-*)	ENG-44
9.1 Introduction	ENG-44
9.1.1 External Dimensions	ENG-44
9.1.2 System Configuration	ENG-45
9.2 Specifications	ENG-45
9.3 Wiring & Installation	ENG-46
9.3.1 Installation	ENG-46
9.3.2 Wiring	ENG-47
9.4 Slave Address Setting & Diagnostics	ENG-47
9.4.1 Setting Slave Address	ENG-47
9.4.2 Applicable Error checks	ENG-47
10. DCF77 Radio Clock	ENG-48
10.1 Introduction	ENG-48
10.2 System Configuration	ENG-49
10.3 Specifications	ENG-49
10.4 Wiring	ENG-50
10.4.1 Wiring	ENG-50
10.4.2 DCF77 Setup from a2 display	ENG-51
10.4.3 Automatically Start	ENG-52
10.4.4 Automatically Stop	ENG-52
10.4.5 Verification of Received Time	ENG-52
11. AL2-2DA (AL2-14MR-*, AL2-24MR-*)	ENG-54
11.1 Introduction	ENG-55
11.1.1 External Dimensions	ENG-55
11.1.2 System Configuration	ENG-55
11.2 Specification	ENG-56
11.3 Wiring & Installation	ENG-57
11.3.1 Installation	ENG-57
11.3.2 Wiring	ENG-58
11.3.3 Applicable Error checks	ENG-59

12.AL2-2PT-ADP	ENG-60
12.1 Introduction	ENG-61
12.1.1 External Dimensions	ENG-61
12.2 System Configuration	ENG-61
12.3 Specification	ENG-62
12.4 Wiring and Installation	ENG-64
12.4.1 Installation	ENG-64
12.4.2 Wiring	ENG-65
12.4.3 Choosing a Temperature Scale.....	ENG-66
12.4.4 Offset Adjustment.....	ENG-67
12.4.5 Gain Adjustment.....	ENG-68
12.4.6 Fine Offset Adjust.....	ENG-70
12.4.7 Applicable Error checks.....	ENG-71
13.AL2-2TC-ADP	ENG-72
13.1 Introduction	ENG-73
13.1.1 External Dimensions	ENG-73
13.2 System Configuration	ENG-73
13.3 Specification	ENG-74
13.4 Wiring and Installation	ENG-76
13.4.1 Installation	ENG-76
13.4.2 Wiring	ENG-77
13.4.3 Choosing a Temperature Scale.....	ENG-78
13.4.4 Offset Adjustment.....	ENG-79
13.4.5 Gain Adjustment.....	ENG-80
13.4.6 Fine Offset Adjust.....	ENG-82
13.4.7 Applicable Error Checks.....	ENG-83
14.Key, System Bit and Function Block Lists	ENG-84
14.1 Key Lists	ENG-84
14.2 System Bit Lists	ENG-85
14.2.1 System Bit Lists.....	ENG-85
14.2.2 Control Bit Lists	ENG-86
14.3 Function Block Lists.....	ENG-87
15.Diagnostics	ENG-91
15.1 Input Status Error	ENG-92
15.2 Output Status Error.....	ENG-92
15.3 TOP MENU is not Displayed	ENG-93
15.4 Cannot enter Run Mode.	ENG-94
15.5 Incorrect Clock Data	ENG-94
15.6 The “?” appears on the Display	ENG-94
15.7 Cannot Use an Operation Key.....	ENG-95
15.8 Incorrect LCD display	ENG-96
15.9 Memory Cassette Is Not Working Correctly.....	ENG-96
15.10Cannot Communicate with the AS-interface Master Module	ENG-97
15.11Cannot Communicate with AL-PCS/WIN-E.	ENG-98

1. Introduction

The α2 series can be easily used in places where control is needed for the factory. The controller outputs cycle ON/OFF to control electrical equipment per the Function Block program.

The explanation of the instructions and the operation of main unit can be found in α2 Programming Manual. An explanation of the AL-PCS/WIN-E programming software can be found in the α Series Software Manual.

ENG

Applications

The α2 series is designed to be used in automatic applications including those listed below.

- Automation of lights, air-conditioning, or watering systems
- The opening and shutting of gates
- Easy security systems
- Domestic animal and pet food distribution systems
- Control of stockyards and greenhouses

However, the α2 series is not designed to be used in the following applications. Please contact your local Mitsubishi Electric representative for more information.

- Applications where high reliabilities such as nuclear power control, railway facilities, airline facilities, vehicles, combustion equipment, and medical equipment are required.
- Applications in life critical situations.

1.1 Special Features of the α2 Series System

- 1) Display message and Function Block data
 The α2 series can display the state of operation and the alarm on the LCD display as a message. It can display the following contents by using the display function block. The value of displayed timers and counters can be changed in the RUN mode.
 - Total characters on LCD display: 12 characters × 4 lines
 - Display Items: Message, value (current or set) of timer and counter, analog values, etc
- 2) The programming in the personal computer is fast and easy
 The programming software AL-PCS/WIN-E for Windows can create and save programs. The programming can be done using a pictorial method in which lines are used to connect function blocks on a programming screen.
 Direct programming using the α2 controller front panel keys is also available.
- 3) LCD image send via GSM modem
 The α2 (AL2-14MR-*,AL2-24MR-*) series is able to send the LCD image as an E-mail using a GSM modem. The user can monitor application status by accessing the diagnostic message sent as an E-mail via GSM modem
- 4) Supports computer link using dedicated protocol
 The α2 (AL2-14MR-*,AL2-24MR-*)series supports computer link (dedicated protocol). User-specific application software using computer link can change schedule data, parameters within Function Blocks and provide condition monitoring of the application.
- 5) Enhancement of clock function
 The weekly timer and the calendar timer function have many switches that can be set and provide powerful time dependant control capabilities.
- 6) Analog input, 0 - 10V/0 - 500, -50°C - 200°C (PT100), -50°C - 450°C (K-type thermocouple):
 The DC input for the α2 series can accept of 0 - 10V signals with a resolution of 0 - 500.
- 7) Analog output, 0 - 4000/0 - 10V, 0 - 2000/4 - 20mA:
 The α2 series can output voltage and current signals.
- 8) High speed counter, Max. 1kHz
 The α2 series has high speed counters (Max. 2 points) when using AL2-4EX (EI1, EI2).
- 9) High current output capability

Table 1.1: High Current Output Capability

Output Type		Capability
Relay	AL2-10MR-*: O01 - O04 AL2-14MR-*: O01 - O06 AL2-24MR-*: O01 - O04	8A/Common
	AL2-24MR-*: O05 - O09 AL2-4EYR: EO1 - EO4	2A/Point (4A/Common)
Transistor	AL2-4EYT: EO1 - EO4	1A/Point

- 10)Built-in EEPROM
 The built in EEPROM eliminates the need for battery backed data.
- 11)Supports 7 languages:
 The α2 series supports 7 languages (English, German, French, Italian, Spanish, Swedish, and Russian^{*1}). The displayed language can be selected in the TOP MENU.

*1 V3.00 or later

1.2 Available Models

Table 1.2: Main Units

Model	Power Supply	Input		Output		Dimensions mm (inches)	MASS (Weight) kg (lbs)
		Type	Number	Type	Number		
AL2-10MR-A	100 - 240V AC~	100 - 240V AC~	6	RELAY	4	71.2 x 90 x 52	0.21 (0.47)
AL2-10MR-D	24V DC	24V DC Sink/Source	6	RELAY	4	(2.8 x 3.54 x 2.05)	0.20 (0.44)
AL2-14MR-A	100 - 240V AC~	100 - 240V AC~	8	RELAY	6	124.6 x 90 x 52 (4.91 x 3.54 x 2.05)	0.30 ^{*1} (0.66)
AL2-14MR-D	24V DC	24V DC Sink/Source	8	RELAY	6		0.35 ^{*1} (0.77)
AL2-24MR-A	100 - 240V AC~	100 - 240V AC~	15	RELAY	9		0.30 ^{*1} (0.66)
AL2-24MR-D	24V DC	24V DC Sink/Source	15	RELAY	9		

*1 Without extension modules.

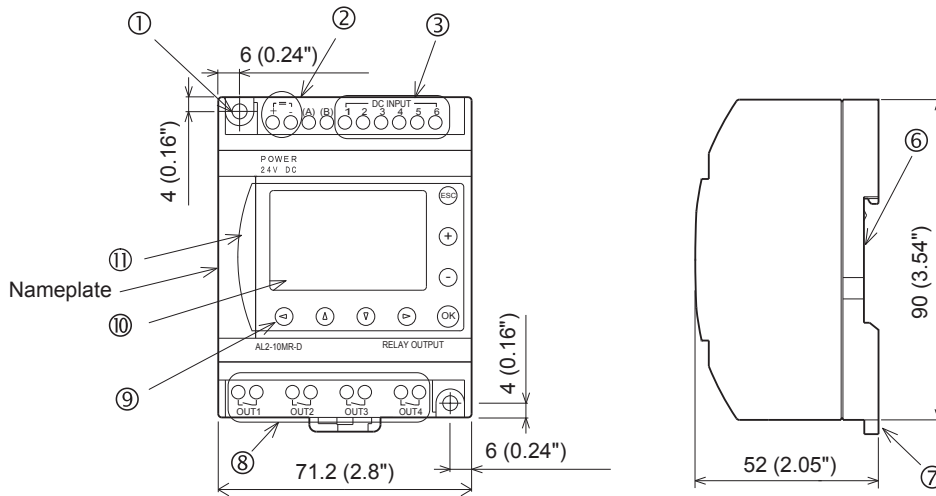
Table 1.3: Extension Modules/Adapters

Model	Input		Output		MASS (Weight) kg (lbs)
	Type	Number	Type	Number	
AL2-4EX-A2	220 - 240V AC~	4	—		0.05 (0.11)
AL2-4EX	24V DC, Sink/ Source	4	—		
AL2-4EYR	—		RELAY	4	
AL2-4EYT	—		TRANSISTOR	4	
AL2-ASI-BD	AS-interface Input	4	AS-interface Output	4	
AL2-2DA ^{*1}	—		Analog ("0 to 10V" or "4 to 20mA")	2	
AL2-2PT-ADP ^{*1}	PT100 Sensor	2	Analog (0 to 10V)	2	
AL2-2TC-ADP ^{*1}	Thermocouple Sensor (K Type)	2	Analog (0 to 10V)	2	

*1 When using AL2-2DA, AL2-2PT-ADP or AL2-2TC-ADP, α2 main module must be V2.00 or later.

1.3 Dimensions and Each Part Name

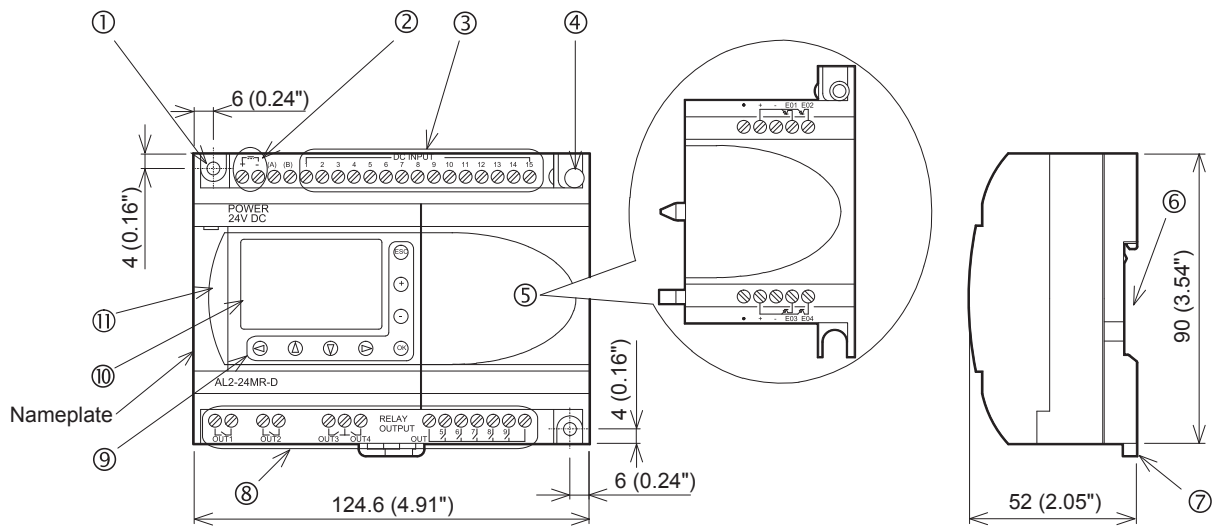
Figure 1.1: Each Part Name(AL2-10MR-*)



Nameplate printing

⚠ is a mark that instructs to use the cable with an appropriate temperature rating (80°C or more) for wiring.

Figure 1.2: Each Part Name(AL2-14MR-*,AL2-24MR-*)



Nameplate printing

⚠ is a mark that instructs to use the cable with an appropriate temperature rating (80°C or more) for wiring.

Table 1.4: Each Part Name

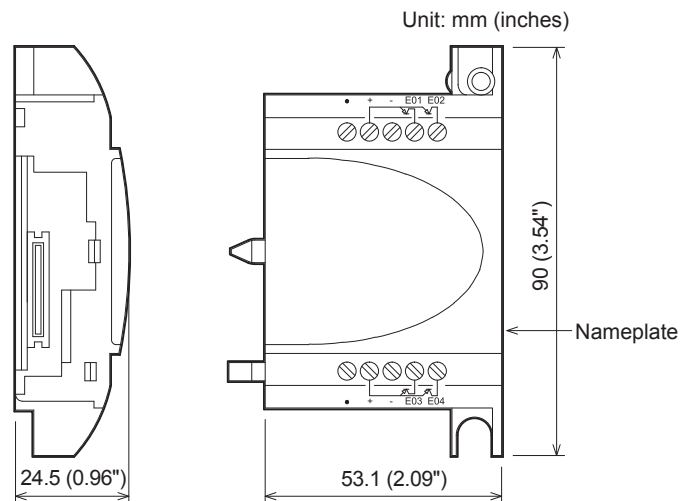
Ref.	Item Description
1	Mounting hole, φ4.2 mm
2	Power terminals
3	Input terminals
4	Mounting screw for the extension cover or extension module
5	Extension cover or extension module(AL2-14MR-*,AL2-24MR-*)
6	Groove for DIN rail mounting (Width of DIN rail 35mm <DIN EN 50022>)
7	DIN-RAIL mounting clips
8	Output terminals
9	Operation keys
10	Liquid crystal display
11	Programming port cover



Note;

- Refer to chapter 7 about dimensions of the AL-232CAB
- Refer to chapter 8 about dimensions of the AL2-GSM-CAB.
- Refer to chapter 9 about dimensions of the AL2-ASI-BD.
- Refer to chapter 11 about dimensions of the AL2-2DA.
- Refer to chapter 12 about dimensions of the AL2-2PT-ADP.
- Refer to chapter 13 about dimensions of the AL2-2TC-ADP.

Figure 1.3: Dimensions (AL2-4EX, AL2-2EX-A2, AL2-4EYR, AL2-4EYT)



Nameplate printing

⚠ is a mark that instructs to use the cable with an appropriate temperature rating (80°C or more) for wiring.

1.4 System Configuration

Figure 1.4: System Configuration(AL2-10MR-*)

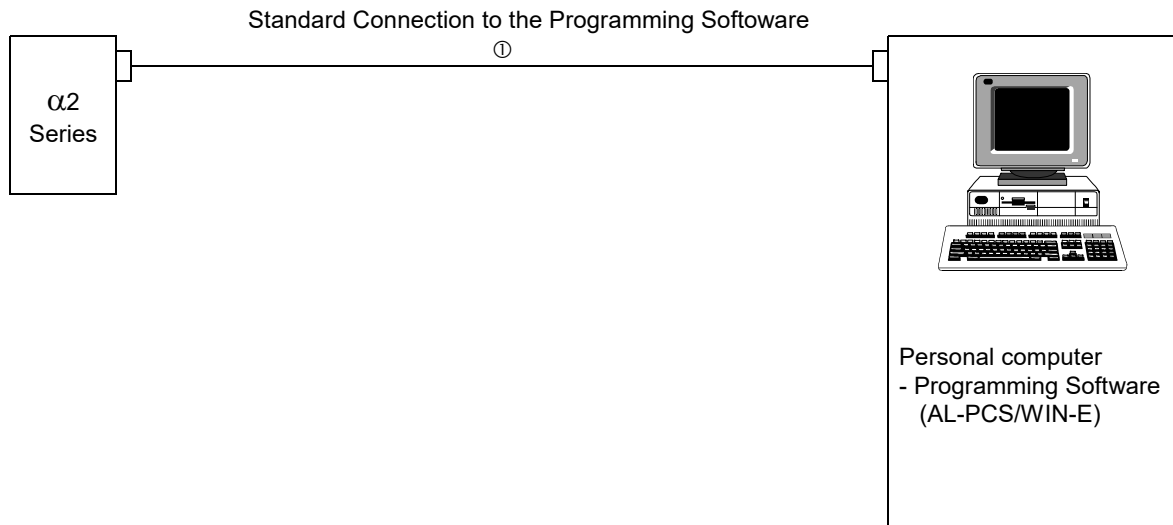


Figure 1.5: System Configuration(AL2-14MR-*,AL2-24MR-*)

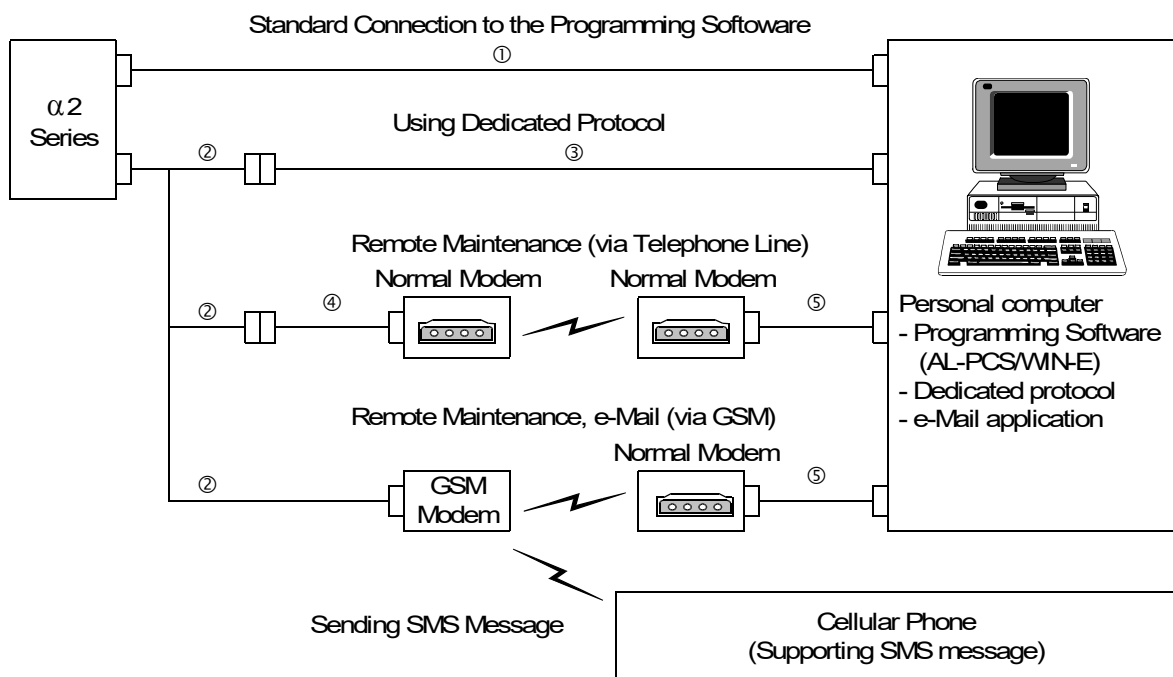


Table 1.5: System Configuration

Item	Using Cable
1	AL-232CAB
2	AL2-GSM-CAB
3	RS-232C cross cable*1
4	RS-232C straight cable for the modem*1
5	RS-232C straight cable for the modem (specified by Modem manufacturer)

*1 Further information can be found in chapter 8.

1.5 Version Up List

Table 1.6: History of α2 Series

Version	Description
V1.00	First product
V2.00	Supports the following points. <ul style="list-style-type: none"> • AL2-2DA, AL2-2PT-ADP, AL2-2TC-ADP modules • New function blocks • AO [Analog output] and PID [PID control] • DCF77 Radio clock
V2.20	Supports the following points. <ul style="list-style-type: none"> • New function blocks • SMR[Short Message Receiving] and CD[Call Detect] • Enhanced User Program Protection • Enhanced Daylight Saving Time Setup • Enhanced Dedicated Protocol Communication • GSM SIM PIN • Modem Initialization String
V3.00	Supports the following points. <ul style="list-style-type: none"> • Hour Meter backs up by EEPROM (No.197 - 200) • Display Buffer Read by Dedicated Protocol • Russian language addition

1.6 Applicable Programming Software

Table 1.7: Applicable Programming Software

α2 Version	Programming Software (AL-PCS/WIN-E) Version
V1.00	V2.00 or later
V2.00	V2.30 or later
V2.20	V2.40 or later
V3.00	V2.50 or later



Note;

- AL-PCS/WIN-E versions lower than V2.00, do not communicate with the α2 series.
- AL-PCS/WIN-E versions lower than V2.30, do not use the AL2-2DA, AL2-2PT-ADP or AL2-2TC-ADP.

2. Specifications



Note;

- Refer to chapter 9 about specification of the AL2-ASI-BD.
- Refer to chapter 11 about specification of the AL2-2DA.
- Refer to chapter 12 about specification of the AL2-2PT-ADP.
- Refer to chapter 13 about specification of the AL2-2TC-ADP.

2.1 Power Supply Specification

Table 2.1: Power Supply Specifications

Description	Code	Specification
Power Supply	AL2-***-A	100 - 240V AC~, +10% -15%, 50/60 Hz
	AL2-***-D	24V DC, +20% -15%
Maximum Momentary Power Failure	AL2-***-A	10ms
	AL2-***-D	5ms
In-rush Current	AL2-***-A, 240V AC~ (120V AC~)	≤ 6.5 A (3.5 A) < 5ms
	AL2-***-D, 24V DC	≤ 7.0 A
Maximum Power Consumption	AL2-10MR-A, 264V AC~	4.9 W
	AL2-10MR-D, 28.8V DC	4.0 W
	AL2-14MR-A, 264V AC~	5.5 W
	AL2-14MR-D, 28.8V DC	7.5 W
	AL2-24MR-A, 264V AC~	7.0 W
	AL2-24MR-D, 28.8V DC	9.0 W
Typical Power Consumption (without Special Connection Modules)	AL2-10MR-A, 240V AC~	I/O all On - 3.5 W; I/O all Off - 1.85 W
	AL2-10MR-A, 120V AC~	I/O all On - 3.0 W; I/O all Off - 1.55 W
	AL2-10MR-D, 24V DC	I/O all On - 2.5 W; I/O all Off - 0.75 W
	AL2-14MR-A, 240V AC~	I/O all On - 4.5 W; I/O all Off - 2.0 W
	AL2-14MR-A, 120V AC~	I/O all On - 3.5 W; I/O all Off - 1.5 W
	AL2-14MR-D, 24V DC	I/O all On - 4.0 W; I/O all Off - 1.0 W
	AL2-24MR-A, 240V AC~	I/O all On - 5.5 W; I/O all Off - 2.5 W
	AL2-24MR-A, 120V AC~	I/O all On - 4.5 W; I/O all Off - 2.0 W
	AL2-24MR-D, 24V DC	I/O all On - 5.0 W; I/O all Off - 1.0 W
Fuse	AL2-***-A	Rating: 250 V 1 A
	AL2-10MR-D	Type: Time Lag
	AL2-14MR-D	Rating: 250 V 500 mA
	AL2-24MR-D	Type: Time Lag

2.2 Input Specification

Table 2.2: AC Input Specifications

Description		AC Input Specification		
		main unit		AL2-4EX-A2
		AL2-10MR-A: I01-I06 AL2-14MR-A, AL2-24MR-A: I01-I08	AL2-24MR-A: I09 - I15	EI1 - EI4
Input Voltage		100 - 240V AC~, +10% -15%, 50/60 Hz		220 - 240V AC~, +10% -15%, 50/60 Hz
Input Current		0.13mA / 120V AC~*1 0.25mA / 240V AC~*1	0.15mA / 120V AC~*1 0.29mA / 240V AC~*1	7.5mA / 240V AC~ 50Hz 9.0mA / 240V AC~ 60Hz
Input Impedance		≥ 800 kΩ		32kΩ (50Hz) 27kΩ (60Hz)
OFF → ON/ ON → OFF		≥ 80V / ≤ 40V		≥ 160V / ≤ 40V
Response Time	OFF → ON	35-85ms, 120V AC~ 25-55ms, 240V AC~		15 - 40ms / 240V AC~
	ON → OFF	35-85ms, 120V AC~ 50-130ms, 240V AC~		
Isolation Circuit		None		Photocoupler
Operation Indication		Liquid Crystal Display		

ENG

*1 Current leakage from the sensors connected to the inputs might provide enough current to turn the controller On. Do not use two wire sensors

Table 2.3: DC Input Specifications

Description				Sink ("-” Common)	Source ("+" Common)
Input Voltage				24V DC +20% -15%	24V DC +20% -15%
Input Current	main unit	AL2-10MR-D	I01 - I06	5.5mA, 24V DC	6.0mA, 24V DC
		AL2-14MR-D	I01 - I08		
		AL2-24MR-D	I09 - I15		5.5mA, 24V DC
		AL2-4EX	EI1 - EI4	5.4mA, 24V DC	5.4mA, 24V DC
OFF → ON/ ON → OFF	main unit		I01 - I15	Current: ≥ 4.7mA / ≤ 1.1 mA Voltage: ≤ 4V / ≥ 18V	Voltage: ≥ 18V / ≤ 4V
	AL2-4EX		EI1 - EI4	Voltage: ≥ 18V / ≤ 4V	Voltage: ≥ 18V / ≤ 4V
Response Time	main unit			10 - 20ms	
	AL2-4EX*2			10 - 20ms	
Isolation Circuit	main unit			None	
	AL2-4EX			Photocoupler	
Operation Indication				Liquid Crystal Display	

*2 EI1 and EI2 in AL2-4EX can be used as High Speed Counters.
When using the High Speed Counter function, the input response time is 0.5ms or less.

Table 2.4: Analog Input Specifications (Only AL2-*-D Type Unit)**

Description	Analog Input Specification
Number of Input Points	6 (I01 - I06) : AL2 - 10MR - D
	8 (I01 - I08) : AL2 - 14MR - D,AL2 - 24MR - D
Analog Input Range	0 - 500
Resolution	9 bit, 20mV (10V/ 500)
Conversion Speed	8ms
Input Voltage	0 - 10V DC
Input Impedance	142kΩ ± 5%
Overall Accuracy	± 5% (0.5V DC)
Offset/Gain	Offset Value = 0 at 0V DC Gain Value: 0 - 10V = 0 - 500 These default values can be changed in the OffsetGain FB
Temperature Drift	± 3 LSB

2.3 Output Specification

Table 2.5: Relay Output Specifications

Description		Relay Specification
Switched Voltage		250V AC~ or less, 30V DC or less
Max. Resistive Load	AL2-10MR-* (O01 - O04)	8A/COM
	AL2-14MR-* (O01 - O06)	
	AL2-24MR-* (O01 - O04)	
	AL2-24MR-* (O05 - O09)	2A/point (4A/COM)
	AL2-4EYR (EO1 - EO4)	2A/point
Contact Life Cycle / Resistance Load	AL2-10MR-* (O01 - O04)	100,000 Cycles at 8 Amps / 240V AC~ or 24V DC
	AL2-14MR-* (O01 - O06)	
	AL2-24MR-* (O01 - O04)	
	AL2-24MR-* (O05 - O09)	100,000 Cycles at 2 Amps / 240V AC~ or 24V DC
	AL2-4EYR (EO1 - EO4)	
Minimum Load		50mW (10mA at 5V DC)
Max. Inductive Load	AL2-10MR-* (O01 - O04)	249 VA (1/3 hp) / 125V AC~, 373 VA (1/2 hp) / 250V AC~
	AL2-14MR-* (O01 - O06)	
	AL2-24MR-* (O01 - O04)	
	AL2-24MR-* (O05 - O09)	93 VA (1/8 hp) / 125V AC~, 93 VA (1/8 hp) / 250V AC~
	AL2-4EYR (EO1 - EO4)	
Response Time		≤ 10 ms
Operation Indication		Liquid Crystal Display
Isolation Circuit		By Relay

ENG

Table 2.6: Transistor Output Specifications (Source Type only) of AL2-4EYT

Description	Transistor Specification
Switched Voltage	5 - 24V DC (+20%, -5%)
Max. Resistive Load	1A / point (8 - 24V DC), 0.1A / point (5 - 8V DC)
Minimum Load	1.0mA
Max. Inductive Load	1A / 24V DC (24 W)
Response Time On/Off, Off/On (approx)	≤ 1 ms
Open Circuit Current Leakage	≤ 0.1mA / 24V DC
Operation Indication	Liquid Crystal Display
Isolation Circuit	Photocoupler

2.4 General Specification

Table 2.7: Environmental and Electrical Specifications

Description		Specification
Programming Method		Function Block
Program Capacity		200 Function Blocks or 5000 bytes
Program Storage		Built in EEPROM (no battery backup required) or optional EEPROM cassette (AL2-EEPROM-2)
Device Backup		20 Days at 25°C / 77°F (by capacitor)
RTC Backup		20 Days at 25°C / 77°F (by capacitor)
RTC Accuracy		5 s / day (25°C / 77°F)
Operating Temperature		Controller Hardware: (-25) - 55°C / (-13) - 131°F Controller Display: (-10) - 55°C / 14 - 131°F
Storage Temperature		(-30) - 70°C / (-22) - 158°F
Vibration Resistance - Direct Mounting		Conforms to IEC 68-2-6; 10-57Hz: 0.15mm Constant Amplitude 57-150Hz: 19.6m/s ² Acceleration Sweep Count for X,Y,Z: 10 times (80 minutes in each direction)
Vibration Resistance - DIN Rail mounting		Conforms to IEC 68-2-6; 10-57Hz: 0.075mm Constant Amplitude 57-150Hz: 9.8m/s ² Acceleration Sweep Count for X,Y,Z: 10 times (80 minutes in each direction)
Shock Resistance		Conforms to IEC 68-2-27: 147m/s ² Acceleration, Action Time: 11ms 3 times in each direction X,Y, and Z
Noise Immunity		1000Vpp, 1 μs, 30 - 100Hz, tested by noise simulator
Humidity		35 - 85% Relative Humidity, no condensation
Dielectric withstand voltage		3750VAC~ for one minute between the following points: Power/Input Terminals and Relay Output Terminals Relay Output Terminal and Relay Output Terminal All Terminals and the DIN 43880 Control box or equivalent
Insulation Resistance		7 MΩ at 500V DC between the following points: Power/Input Terminals and Relay Output Terminals Relay Output Terminal and Relay Output Terminal All Terminals and the DIN 43880 Control box or equivalent
Pollution Degree		2
Grounding		None
Electrical Isolation		Reinforced primary/secondary insulation
Operation Ambience		To be free of corrosive gases. Dust should be minimal.
Protection		IP 20
Temperature for the Ball Pressure Test		75°C (167°F)
Working altitude		<2000 m ^{*1}
Installation location		Inside a control panel ^{*2}
Overvoltage category		II
EC Directive	EMC	EN61131-2: 2007
	LVD	EN61131-2: 2007 ^{*3} EN IEC 61010-2-201 ^{*3*4}

Table 2.7: Environmental and Electrical Specifications

Description	Specification
Certification of UL/cUL	File number: E95239*5
Liquid Crystal Display	Will display 4 lines of 12 characters per line, Program Run On/Off mode, Password Protection, Image Table, and Function Blocks during programming.

- *1 α2 Series Controller cannot be used at a pressure higher than the atmospheric pressure to avoid damage.
- *2 α2 Series Controller is assumed to be installed in an environment equivalent to indoor.
- *3 For α2 Series Controllers manufactured before February 28th, 2018 are compliant with EN61131-2:2007, after March 1st, 2018 are compliant with EN IEC 61010-2-201.
- *4 For some models manufactured after January 1st, 2018 are compliant with EN IEC 61010-2-201.
- *5 AL2-ASI-BD is not complied with these standards.

ENG

Caution for compliance with LVD Directive (EN IEC 61010-2-201)

- Please use the α2 Series Controller while installed in conductive shielded control panels under a general industrial environment.
- α2 Series Controller are open-type devices that must be installed and used within conductive control panels. Please secure the control panel lid to the control panel (for conduction). Installation within a control panel greatly affects the safety of the system and aids in shielding noise from the α2 Series Controller.
- For the control panel, use the product having sufficient strength, fire protectiveness and shielding property to an installation environment.
- To an external connection port other than AC power supply terminal and AC input/output terminal, connect the circuit separated from a dangerous voltage by a double/reinforced insulation.
- When wiring, please insert the cable all the way in the terminal block.
- Cutoff device such as a breaker or a circuit protector should be installed in accordance with the following precautions.
 - Use EN60947-1 or EN60947-3 standards.
 - Place the cutoff device so that it can be operated easily.
 - Specify that the cutoff device is for this equipment.

3. Installation

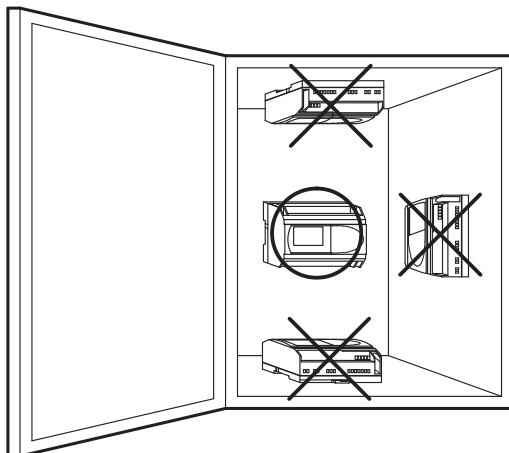
3.1 Installation Mounting Notes



The α2 Series' safe design means the user can install it almost anywhere but please take the following points into consideration.

- Do not install in areas with excessive or conductive dust, corrosive or flammable gas, moisture or rain, excessive heat, regular impact shocks or excessive vibration. Do not place in water or let water leak onto the controller.
- Do not allow debris to fall inside the unit during installation.
- Keep as far as possible from high-voltage cables and power equipment.
- The α2 Series Controller must be installed in a distribution box or a control cabinet.
- If there is the possibility of touching the α2 Series Controller inside a control panel in maintenance, make sure to discharge to avoid the influence of static electricity.

Figure 3.1: Mounting Arrangement.



- Use size M4 screws when mounting by screw holes.
- The connectors must be covered to prevent injury from contact with “live” wires.
- Leave a minimum of 10mm of space for ventilation between the top and bottom edges of the α2 Series Controller and the enclosure walls.
- Do not disassemble the α2 Series controller.



Note;

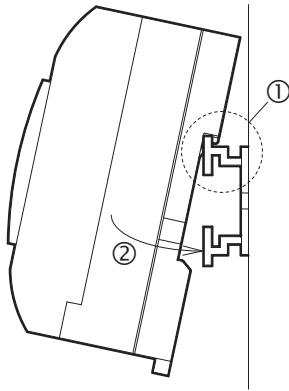
- Refer to chapter 6 when installing or removing the AL2-EEPROM-2.
- Refer to chapter 7 when installing or removing the AL-232CAB.
- Refer to chapter 8 when installing or removing the AL2-GSM-CAB.
- Refer to chapter 9 when installing or removing the AL2-ASI-BD.
- Refer to chapter 11 when installing or removing the AL2-2DA.
- Refer to chapter 12 when installing or removing the AL2-2PT-ADP.
- Refer to chapter 13 when installing or removing the AL2-2TC-ADP.

3.2 DIN RAIL Mounting of Main Unit

Units can be snap mounted to 35mm DIN rail (DIN EN 50022). To release pull the spring loaded clips away from the rail and slide the unit off and up.

3.2.1 Installation

Figure 3.2: Installation

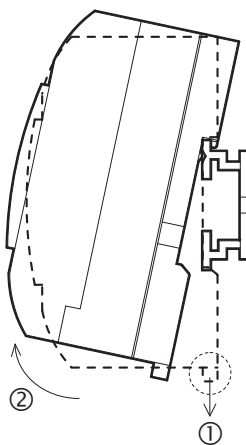


Align the upper side of the α2 DIN rail mounting groove with the DIN rail (①) and push it onto the rail (②).

ENG

3.2.2 Remove

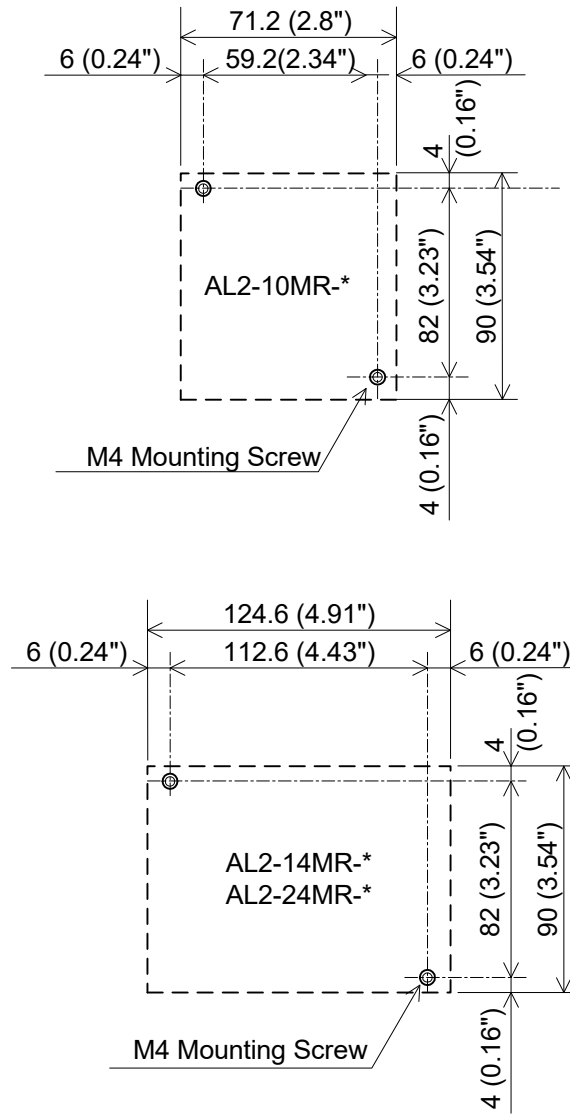
Figure 3.3: Remove



Pull the DIN rail hook (①) and remove the α2 series main unit(②)

3.3 Direct Mounting of Main Unit

Figure 3.4: Direct Mounting



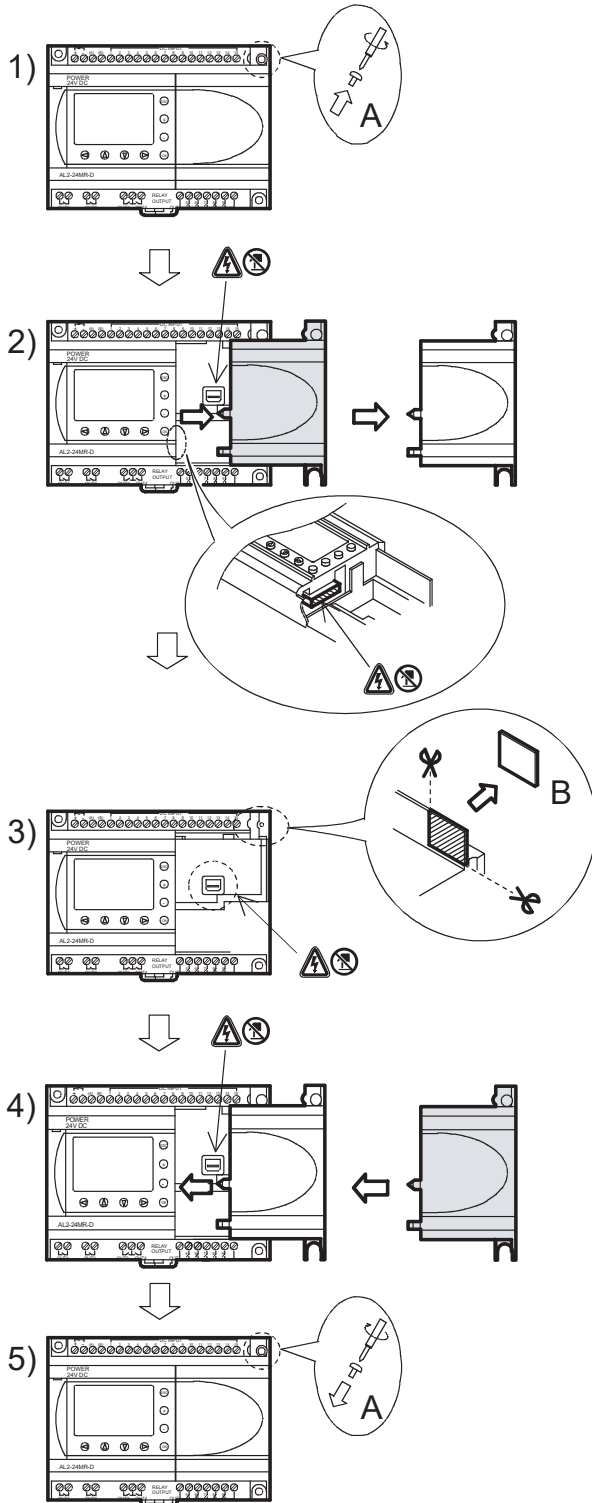
3.4 Install Extension Module(AL2-14MR-*,AL2-24MR-*)



Caution;

Disconnect all terminals from the power supply before removing the cover.

Figure 3.5: Installation



- 1) Release screw 'A' and keep.
- 2) Carefully remove the factory fitted expansion port cover.
- 3) Cut away section 'B' from the α2 series controller main unit.
- 4) Attach the expansion module to the main unit.
- 5) Tighten screw 'A' to a torque of 0.4 N·m.

: A danger of electric shock.

: Do not touch the conductive parts of the product directly.

ENG

4. Wiring



Note;

- Refer to chapter 9 when wiring the AL2-ASI-BD.
- Refer to chapter 11 when wiring the AL2-2DA.
- Refer to chapter 12 when wiring the AL2-2PT-ADP.
- Refer to chapter 13 when wiring the AL2-2TC-ADP.

4.1 Installation Wiring Notes



The wiring of α2 Series has been designed to be safe and easy. A technician or engineer trained in the local and national electrical standards should perform all tasks associated with the electrical wiring of the α2 Series controllers. Turn OFF the Power before performing any wiring operations.

- Input and output cables should not be run through the same multicore cable or share the same wire.
- Do not lay input/output cables near high voltage power cables.
- Input and Output cable length must be less than 30m (98' 5").

Allow for voltage drop and noise interference with input/output lines used over an extended distance. Please use wire that is properly sized for the current load.



The terminal will accept a 3 mm flathead screwdriver.

4.2 Wire Size

Wire of the Inputs and Outputs using the following wire. Strip the wire to the following length (See Table 4.1 and Figure 4.1). Please unscrew the terminal to its widest position before inserting a wire. Insert the wire completely into the terminal to ensure that a proper connection can be made.

The terminals will accept a 3mm flathead screwdriver.

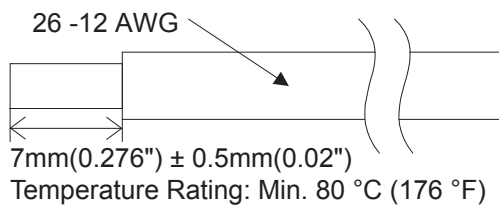
Table 4.1: Wire Size

	Wire Size	Strip Wire Length
Main Unit	26 - 12 AWG (0.13 - 3.31mm ²)	7mm ± 0.5mm
Extension Module	24 - 14AWG (0.2 - 2.5mm ²)	6mm ± 0.5mm

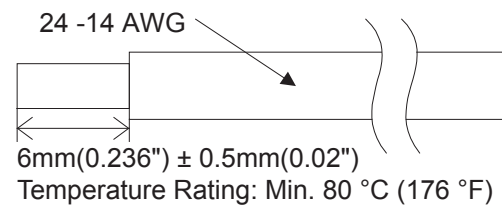
ENG

Figure 4.1: Wire Size

Main unit



Extension module



Note;

- To avoid damaging the wire, tighten to a torque of 0.5 - 0.6 N·m.
- Please do not use tin, solder, or any other substance on the stripped wire that might cause the wire strand to break.
 - Stranded cable:
Remove sheath, twist core wires, then connect cable (or use a crimp terminal).
 - Single cable:
Remove sheath, then connect cable.

4.3 Power Supply



- When wiring AC supplies the “Live” cable should be connected to the “L” terminal and the “Neutral” cable should be connected to the “N” terminal. Do NOT connect the “Live” wire to the “N” terminal, the user might receive a dangerous shock on powerup.
- When wiring DC supplies the “positive” cable should be connected to the “+” terminal and the negative cable should be connected to the “-” terminal. On no account should the power supply terminals be connected to any other terminal on the unit. DC Power Supply units should be capable of providing 4 Amperes of current to the controller.

Figure 4.2: Recommended Power Input Wiring Diagram

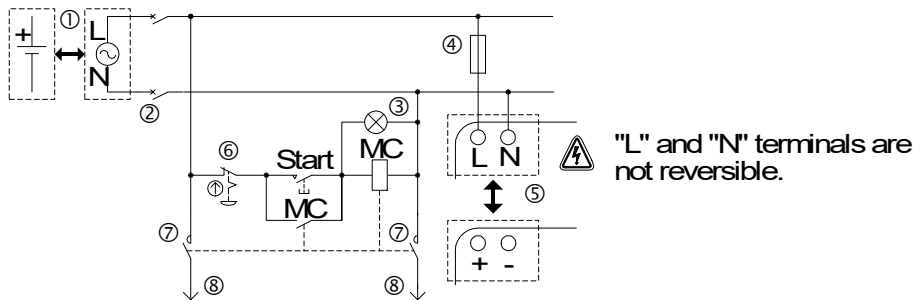


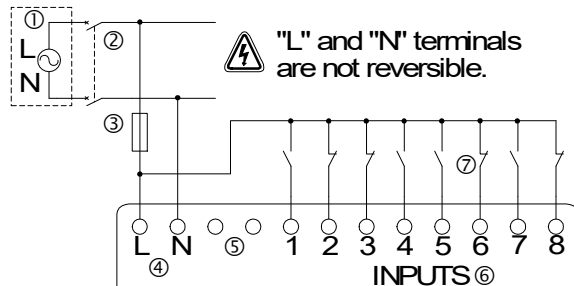
Table 4.2: Recommended Power Wiring

Ref.	Item Description
1	Power supply AL2-***-A: 100-240V AC~, 50/60Hz AL2-***-D: 24V DC
2	Circuit isolation device
3	Power ON pilot indicator
4	Circuit protection device - Limit to 1.0A
5	α2 main unit
6	Emergency stop
7	Magnetic switch contact
8	Power supply for loads

4.4 AC Power Supply and Input Wiring

4.4.1 AC Power Supply and Input Wiring

Figure 4.3: AC Power Supply and Input Wiring Diagram



ENG

Table 4.3: AC Power Supply and Input Wiring

Ref.	Item Description
1	AC power supply, 100 - 240V AC~, 50/60Hz
2	Circuit isolation device
3	Circuit protection device - Limit to 1.0 Amp
4	AC power terminals
5	Unused terminals
6	Input terminals
7	Digital input switches

4.4.2 AL2-4EX-A2 Input Wiring

Figure 4.4: AL2-4EX-A2 Input Wiring Diagram

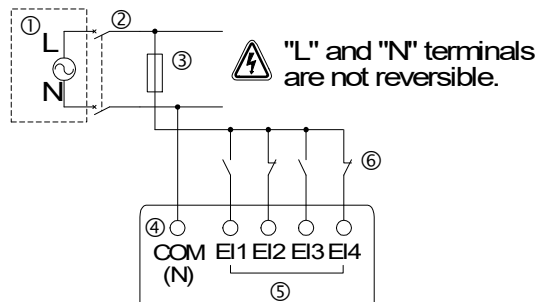


Table 4.4: AC Power Supply and Input Wiring

Ref.	Item Description
1	AC power supply, 220 - 240V AC~, 50 / 60Hz
2	Circuit isolation device
3	Circuit protection device - Limit to 1.0 Amps
4	COM (N) terminal
5	Input terminals
6	Digital input switches

4.5 DC Power Supply and Input Wiring

4.5.1 DC Power Supply and Source (“+” Common) Input Wiring Diagram

Figure 4.5: DC Power Supply and Source (“+” Common) Input Wiring Diagram

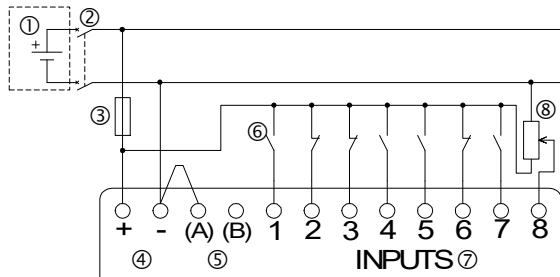


Table 4.5: DC Power Supply and Source (“+” Common) Input Wiring

Ref.	Item Description
1	DC power supply, 24V DC
2	Circuit isolation device
3	Circuit protection device - Limit to 1.0A
4	DC power terminals
5	Sink/Source input wiring terminals
6	Sensor input switches
7	Input terminals
8	Analog input

4.5.2 AL2-4EX Source (“+” Common) Input Wiring Diagram

Figure 4.6: AL2-4EX Source (“+” Common) Input Wiring Diagram

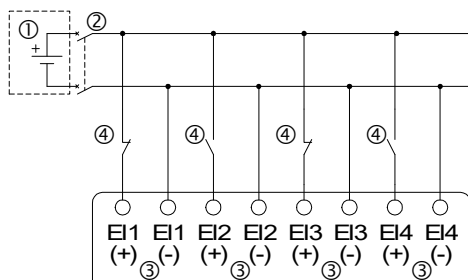


Table 4.6: DC Power Supply and Source (“+” Common) Input Wiring

Ref.	Item Description
1	DC power supply, 24V DC
2	Circuit isolation device
3	Input terminals
4	Sensor input switches



Note:

Each input terminal (EI1 - EI4) can be used as either Source input or Sink input.

4.5.3 DC Power Supply and Sink ("-" Common) Input Wiring Diagram

Figure 4.7: DC Power Supply and Sink ("-" Common) Input Wiring Diagram

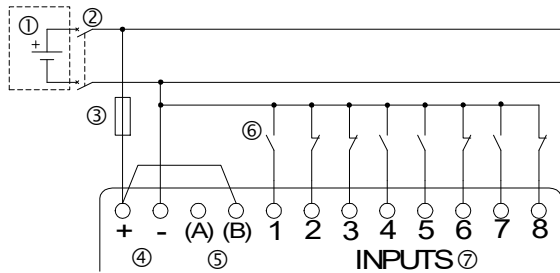


Table 4.7: DC Power Supply and Sink ("-" Common) Input Wiring

Ref.	Item Description
1	DC power supply, 24V DC
2	Circuit isolation device
3	Circuit protection device - Limit to 1.0 Amps
4	DC power terminals
5	Sink/Source input wiring terminals
6	Sensor input switches
7	Input terminals

4.5.4 AL2-4EX Sink ("-" Common) Input Wiring Diagram

Figure 4.8: AL2-4EX Sink ("-" Common) Input Wiring Diagram

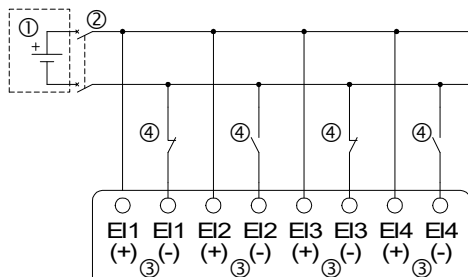


Table 4.8: DC Power Supply and Sink ("-" Common) Input Wiring

Ref.	Item Description
1	DC power supply, 24V DC
2	Circuit isolation device
3	Input terminals
4	Sensor input switches



Note:

Each input terminal (EI1 - EI4) can be used as either Source input or Sink input.

4.6 Output Relay and Transistor Wiring

4.6.1 Relay Output Wiring Diagram main unit (AC and/or DC)

Figure 4.9: Relay Output Wiring Diagram main unit (AC and/or DC)

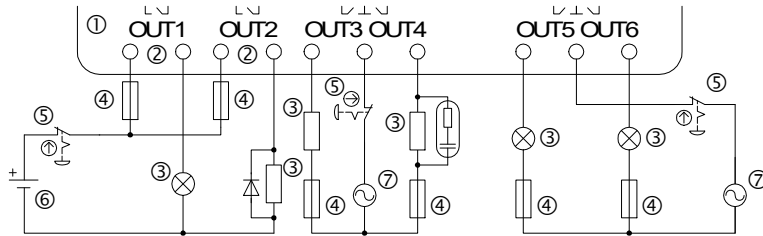


Table 4.9: Relay Output Wiring main unit (AC and/or DC)

Ref.	Item Description
1	α2 main unit
2	Mutually exclusive outputs
3	Output devices
4	Circuit protection device (See Table 4.10)
5	Emergency stop
6	DC power supply
7	AC power supply

Table 4.10: Relay Output Circuit Protection Table

Model	Number of Output	Max. Resistive Load	Circuit Protection (Fuse)
AL2-10MR-*	O01-O04	8A/common	≤ 10A / Circuit
AL2-14MR-*	O01-O06		≤ 10A / Circuit
AL2-24MR-*	O01-O04	2A/point (4A/common)	≤ 10A / Circuit
	O05-O09		≤ 3A / Circuit

4.6.2 Relay Output Wiring Diagram AL2-4EYR (AC and/or DC)

Figure 4.10: Relay Output Wiring Diagram AL2-4EYR (AC and/or DC)

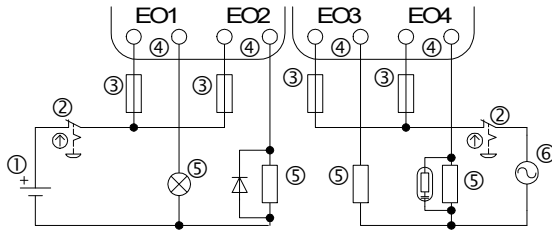


Table 4.11: Relay Output Wiring AL2-4EYR (AC and/or DC)

Ref.	Item Description
1	DC power supply
2	Emergency stop
3	Circuit protection device (Fuse: ≤ 3A)
4	Mutually exclusive outputs
5	Output devices
6	AC power supply

Table 4.12: Relay Output Circuit Protection Table

Model	Number of Output	Max. Resistive Load	Circuit Protection (Fuse)
AL2-4EYR	EO1-EO4	2A/common	≤ 3A / Circuit

ENG

4.6.3 Transistor Output (Source or “+” Common Only) Wiring Diagram AL2-4EYT

Figure 4.11: Transistor Output (Source/ “+” Common Only) Wiring Diagram AL2-4EYT

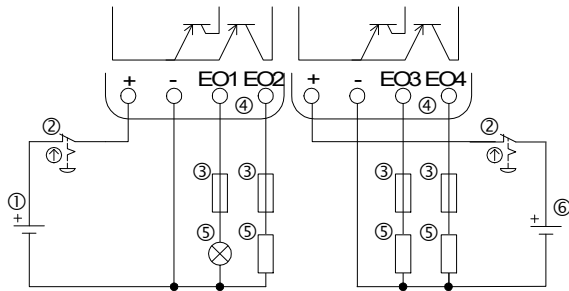


Table 4.13: Transistor Output Wiring

Ref.	Item Description
1	DC Power Supply: 24V DC
2	Emergency Stop
3	Circuit Protection Device - See Table 4.14 for Specifications
4	Power Supply Terminal
5	Output Devices
6	DC Power Supply: 12V DC

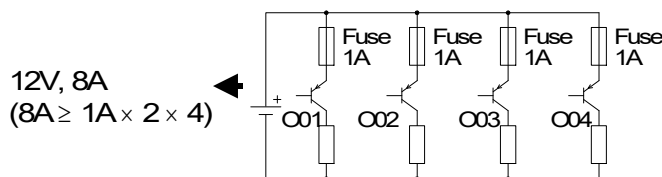
Table 4.14: Transistor Output Circuit Protection Table

Circuit Voltage	Circuit Protection (Fuse)
5V DC	≤ 0.3A/Circuit
12V DC	≤ 2.0A/Circuit *1
24V DC	≤ 2.0A/Circuit *1

*1 Power Source capacity ≥ Fuse size × 2



Figure 4.12: Example Fuse Size Calculation



Note;



Table 4.15: Output Terminal Notes

Volt	Output Terminal Notes
5	Each circuit can contain from one output terminal up to every output terminal.
12-24	Each circuit can contain from one output terminal up to every output terminal.
5,12,24	Using any combination of 5 Volt, 12 Volt, and 24 Volt outputs can be accomplished on the same α2 Series Controller if separate circuits are used for each voltage level.

5. Terminal Layout



Note;

- Refer to chapter 9 about terminal layout of the AL2-ASI-BD.
- Refer to chapter 11 about terminal layout of the AL2-2DA.
- Refer to chapter 12 about terminal layout of the AL2-2PT-ADP.
- Refer to chapter 13 about terminal layout of the AL2-2TC-ADP.

ENG

Figure 5.1: AL2-10MR-A, AC Input, Relay Output

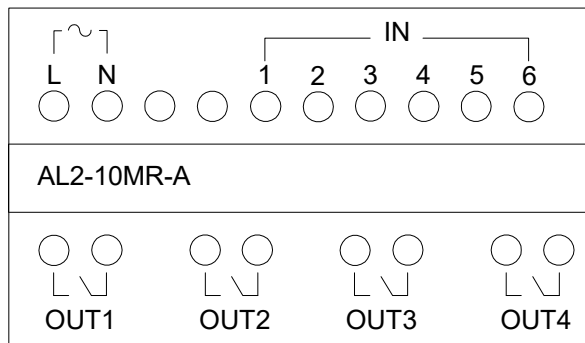


Figure 5.2: AL2-10MR-D, DC Input, Relay Output

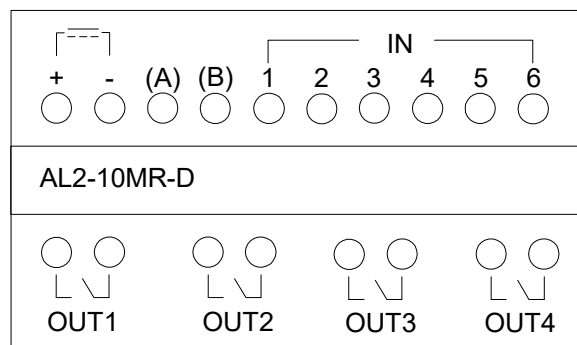


Figure 5.3: AL2-14MR-A, AC Input, Relay Output

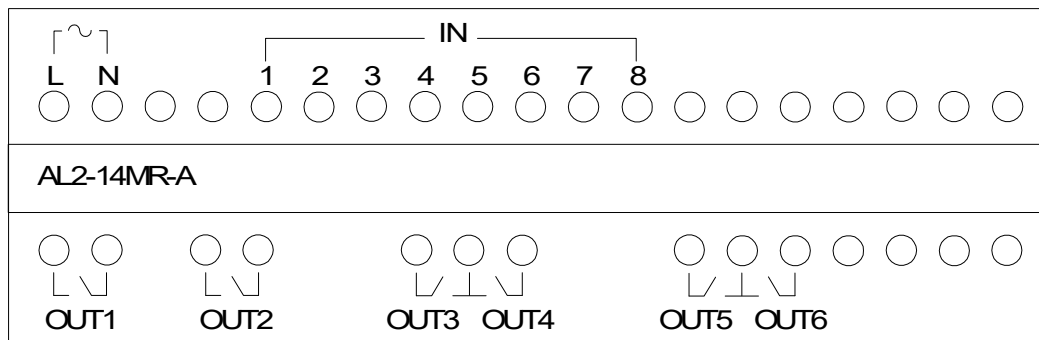


Figure 5.4: AL2-14MR-D, DC Input, Relay Output

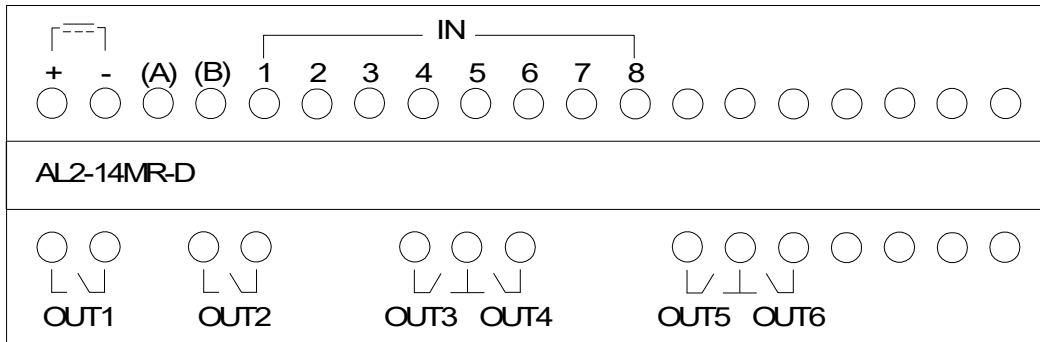


Figure 5.5: AL2-24MR-A, AC Input, Relay Output

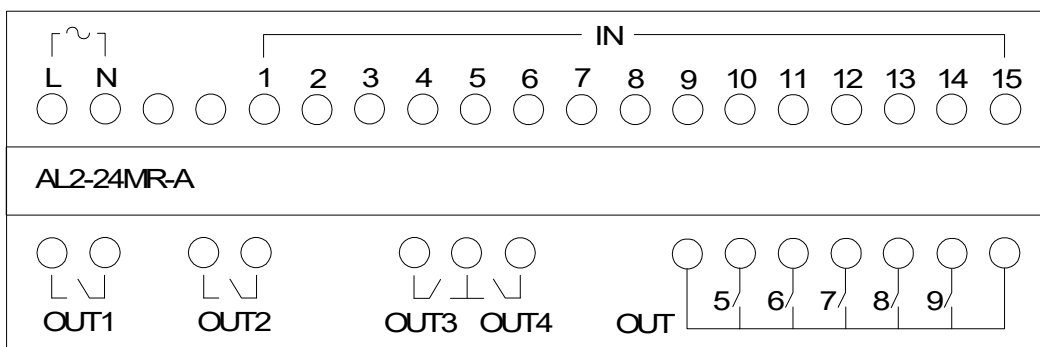


Figure 5.6: AL2-24MR-D, DC Input, Relay Output

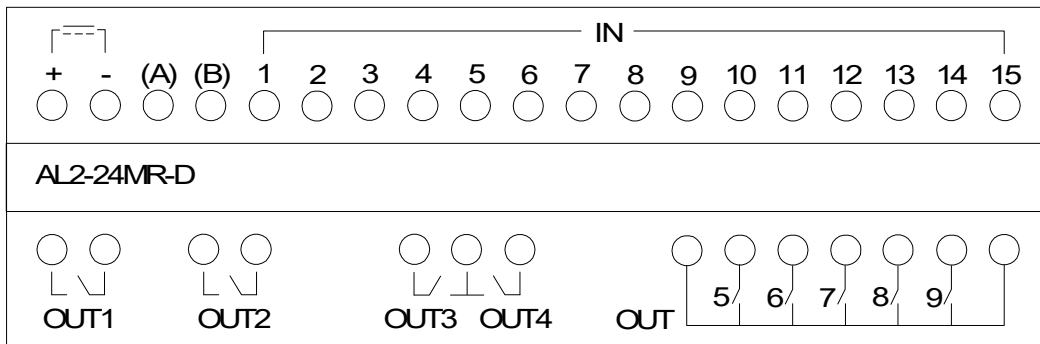


Figure 5.7: AL2-4EX-A2, 220 - 240V AC Input

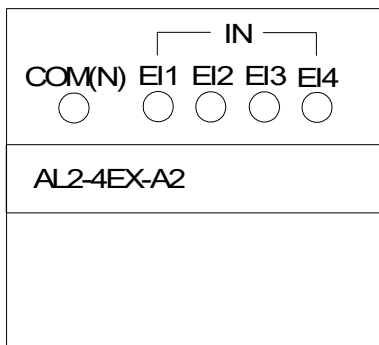
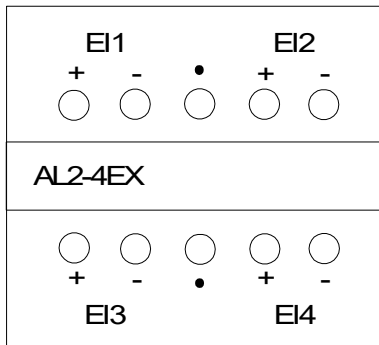


Figure 5.8: AL2-4EX, DC Input



ENG

Figure 5.9: AL2-4EYR, Relay Output

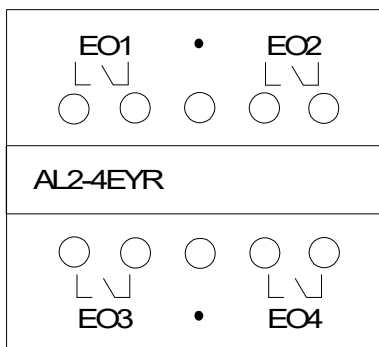
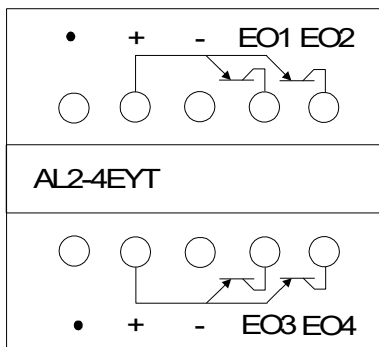


Figure 5.10: AL2-4EYT, Transistor Output



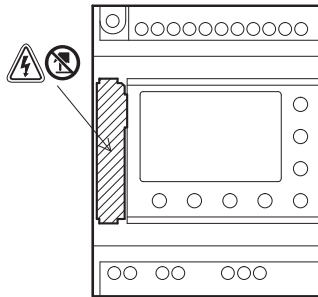
6. AL2-EEPROM-2


The AL2-EEPROM-2 memory cassette is for use only with the α2 series controller (Model: AL2-**M*-*).



Caution

- Persons trained in the local and national electrical standards must replace the memory cassette.
- Turn off the power supply when installing or removing the memory cassette.
- Replace the cover after removing the memory cassette.
- When installing the connector cover or the memory cassette of α2 series, be careful not to pinch your finger.
- DO NOT touch the following part when removing the cover or memory cassette.

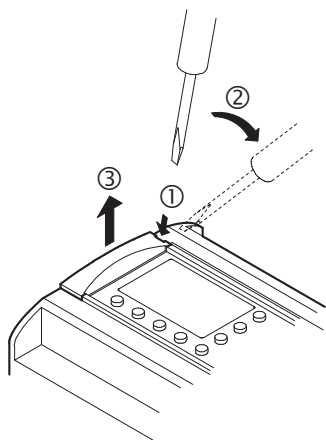


 : A danger of electric shock.

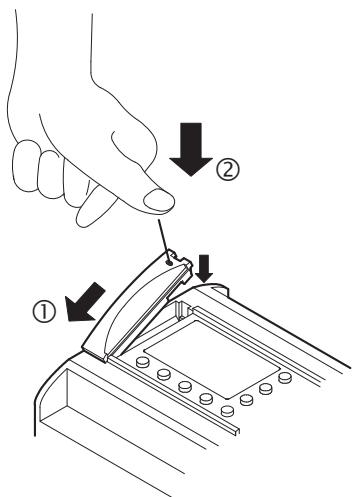
 : Do not touch the conductive parts of the product directly.

6.1 Installation

- 1) Remove the cover or the memory cassette



- 2) Install on the cover or the memory cassette



ENG

7. AL-232CAB

7.1 Introduction

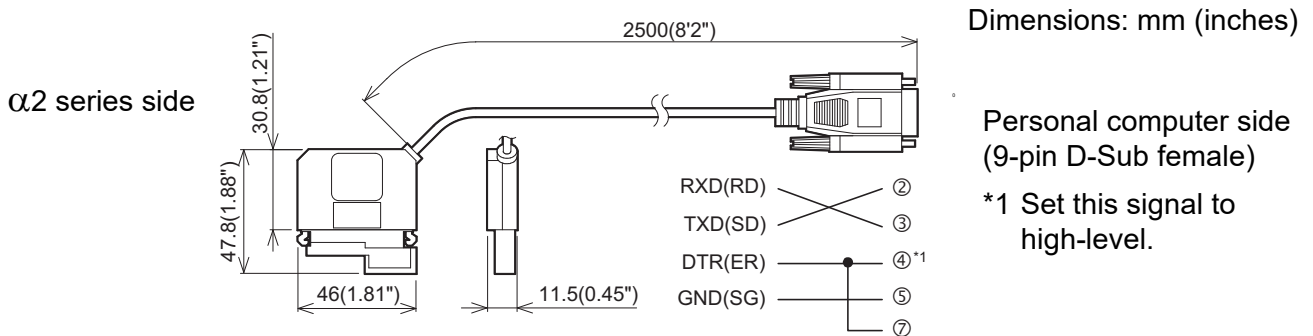
The AL-232CAB is an RS-232C cable used to connect an α series controller (α, α2) and a personal computer that is running the programming software (AL-PCS/WIN-E).



Note;

- AL-232CAB cable cannot be used for any other applications.
- AL-232CAB cable rises about 40mm (1.57") above the top panel when connecting to an α2 series controller.

7.1.1 External Dimensions



7.2 Connected to AL-232CAB cable



Remove cover and memory cassette

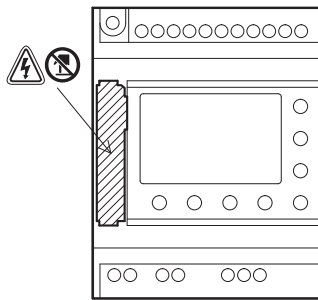
- Be careful of personal safety when removing the α2 cover.




Caution

- Turn off the power supply when you install or detach the AL-232CAB cable.
- Install the cover or the memory cassette after removing the AL-232CAB cable.
- When installing the connector cover or the memory cassette of α2 series, be careful not to pinch your finger.
- Please hold the protective case when detaching the cable. DO NOT pull on the cord.
- DO NOT touch the following part when removing the cover, memory cassette or this cable.

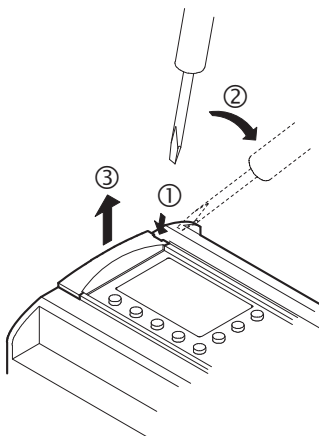
ENG



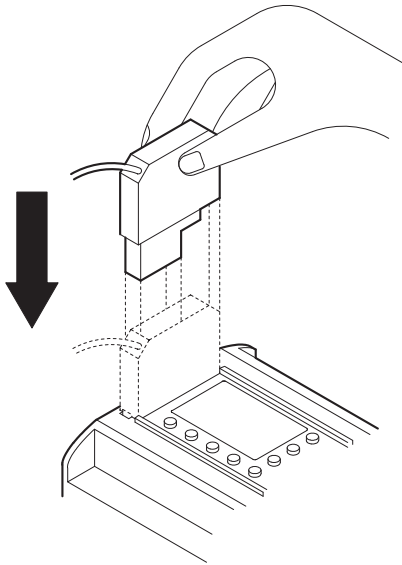
: A danger of electric shock.

: Do not touch the conductive parts of the product directly.

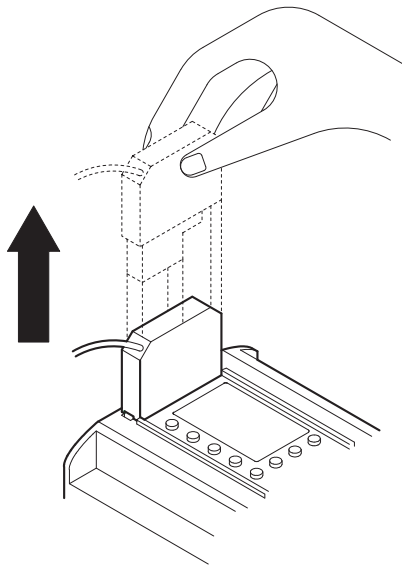
1) Removing the cover or the memory cassette



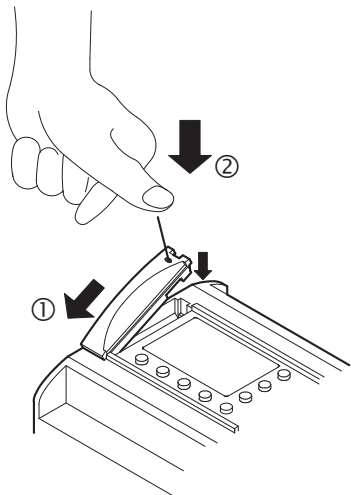
2) Connecting the AL-232CAB cable



3) Removing the AL-232CAB cable



4) Installing on the cover or the memory cassette



MEMO

ENG

8. AL2-GSM-CAB

8.1 Introduction

The AL2-GSM-CAB can be used to connect α2 Series Controllers to a normal or GSM modem. The AL2-GSM-CAB can transfer Short Message Service (SMS) data to a GSM modem for transmission to mobile phones and mail addresses or can facilitate remote monitoring functions and program transfers via normal modems. RS-232C communication to a personal computer can also be accomplished if an adaptor or cable is used.

Further information can be found in the α2 Programming Manual and α Software Manual.



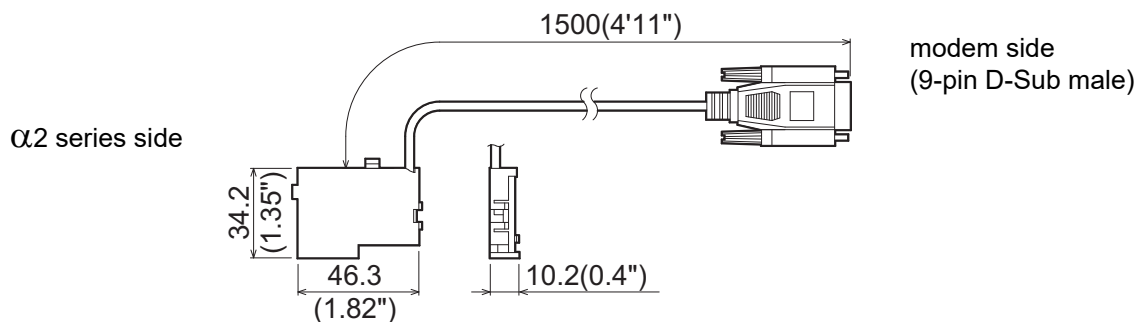
Note;

- This cable cannot be used for any other applications.
- This cable attaches only to the α2 Series Controller (Model: AL2-14MR-*,AL2-24MR-*).
- Simultaneous communication through both ports of the α2 Series Controllers may result in a damaged program or a malfunction in the controller.

8.1.1 External Dimensions

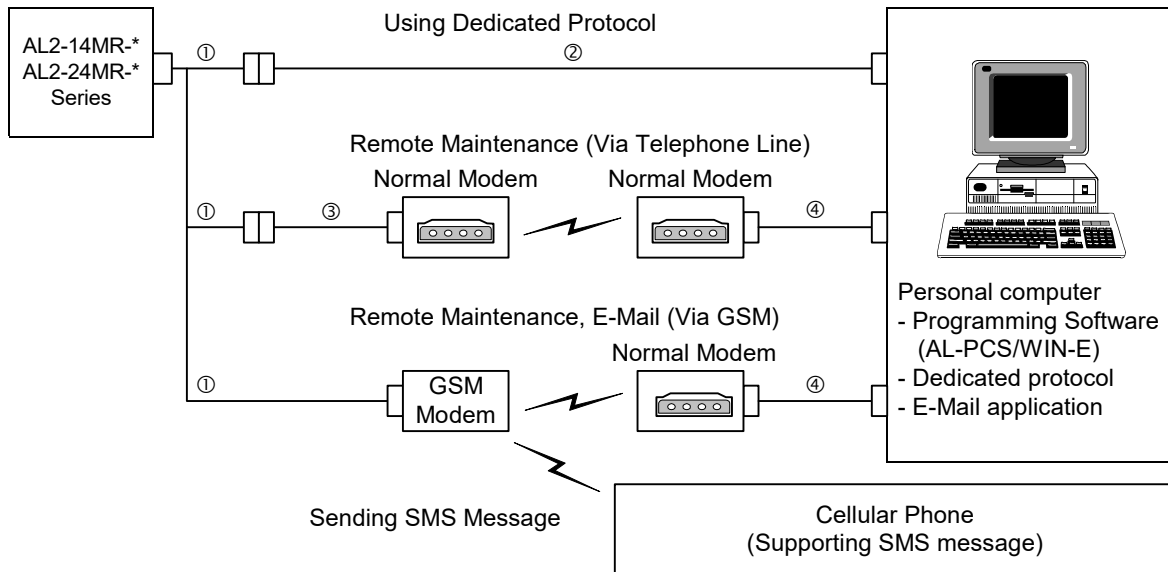
Figure 8.1: External Dimensions

Dimensions: mm (inches)



8.1.2 System Configuration with using AL2-GSM-CAB

Figure 8.2: System Configuration with AL2-GSM-CAB

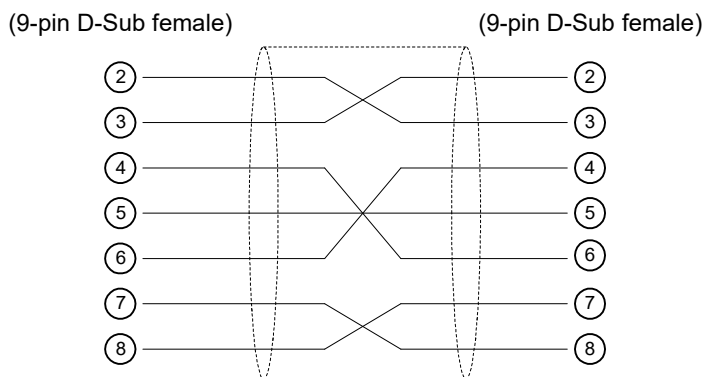


ENG

Table 8.1: System Configuration with AL2-GSM-CAB

Item	Using Cable
1	AL2-GSM-CAB
2	RS-232C cross cable (See Figure 8.3)
3	RS-232C straight cable for the modem (See Figure 8.5)
4	RS-232C straight cable for the modem (specified by modem manufacturer)

Figure 8.3: RS-232C Cross Cable Reference



Note;

The 4 and 7 signals must be set to high-level on the personal computer side. If these signals are not set, it will not communicate to α2 series.

8.2 Installation

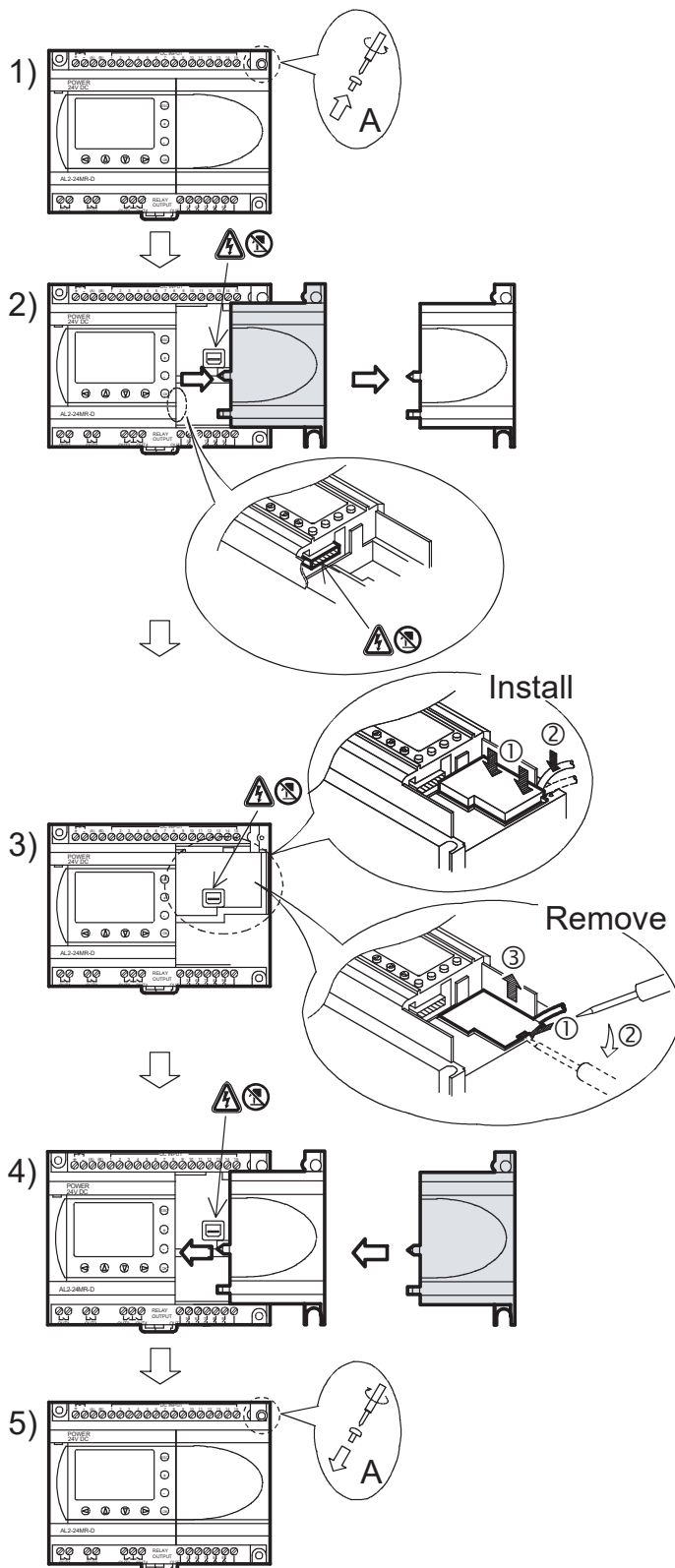
When installing AL2-GSM-CAB refer to Figure 8.4.



Caution

- Persons trained in the local and national electrical standards must install or remove the AL2-GSM-CAB.
- Turn off the power supply when installing or removing the AL2-GSM-CAB.
- Put the cover back on after either installing or removing the AL2-GSM-CAB.
- Under no circumstances will Mitsubishi Electric be liable or responsible for any consequential damage that may arise as a result of the installation or use of this equipment.
- Do not pull on the cord, otherwise the cable may be damaged.
- When communicating to α2 series via GSM modem, the power supply for both units must be turned ON at the same time. If they are not started up at same time, the α2 series will not communicate via GSM modem.
- Disconnect all terminals from the power supply before removing the cover.

Figure 8.4: Installation



- 1) Release screw 'A' and keep.
- 2) Carefully remove the factory fitted α2 expansion port cover or special module cover.
- 3) Install the AL2-GSM-CAB into the cavity, carefully placing the cable in the channel located on the input terminal side.
- 4) Attach the α2 cover or expansion module taking care that there is no interference with the AL2-GSM-CAB.
- 5) Tighten screw 'A' to a torque of 0.4 N·m.

: A danger of electric shock.
: Do not touch the conductive parts of the product directly.

ENG

8.3 Remote Maintenance with a Modem

Further information of the modem setup procedures can be found in the α2 Programming Manual. The programming software (AL-PCS/WIN-E) provides the easiest method to setup the modem.

8.3.1 Recommended Modems

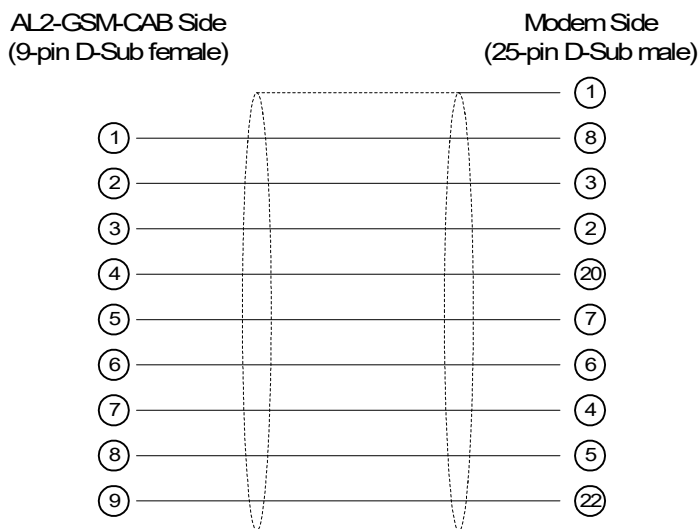
The following modems have been successfully tested.

Table 8.2: Tested Modems

Maker name	Model name	Modem command (AT command)
3com	SP560V-P	ATE0Q1&B1&D0H0&I0&R1&S0S0=2S15=8&W
OMRON	ME3314	ATE0S0=2Q1&D0S15=8&R1&H0&W
AIWA	PV-AF3360	ATE0S0=2Q1&D0&M5\Q0\J0&W
Siemens	M20T	ATE0S0=2&S0;+IFC=0,0;+CMEE=1;+IPR=9600&W

8.3.2 RS-232C Straight Cable Between Modem and AL2-GSM-CAB

Figure 8.5: RS-232C Straight Cable Reference Between a Modem and AL2-GSM-CAB



8.3.3 Modem Setting

1) Setting of personal computer side

Install the file for the setting of the attachment in the modem.

2) Setting of α2 series side

The modem on the α2 series side is set by the ModemInit command of the main unit.

a) About the modem command (AT command)

Use the AT command to initialize the modem. Confirm details of the AT command in the manual of the modem to be used. AT commands have been prepared for select modems in the table 8.4 (normal modem) and 8.5 (GSM modem) below.

Table 8.3: Tested Modems

Maker name	Model name	Modem command (AT command)
3com	SP560V-P	ATE0Q1&B1&D0H0&I0&R1&S0S0=2S15=8&W
OMRON	ME3314	ATE0S0=2Q1&D0S15=8&R1&H0&W
AIWA	PV-AF3360	ATE0S0=2Q1&D0&M5\Q0\J0&W
Siemens	M20T	ATE0S0=2&S0;+IFC=0,0;+CMEE=1;+IPR=9600&W

Further information on the method to initialize a modem can be found in the α2 Programming Manual.

When modems not listed in the table above are used, set the AT command to meet the following requirements.

Table 8.4: AT Command for Modem (Normal Modem)

Setting Item	Set content	Example Setting		
		SP560V-P	ME3314	PV-AF3360
Setting of command echo	None	E0	E0	E0
Call frequency of auto-answering	Twice	S0=2	S0=2	S0=2
Displayed result code	None	Q1	Q1	Q1
DTR control	Always on	&D0	&D0	&D0
DSR control	Always on	&S0		
Communicate mode	V.42bis mode	S15=8	S15=8	&M5
Speed of terminal fixed dimension	Fixed	&B1	\J0	
Terminal flow control scheme	None	-&R1	\Q0	
Flow control of transmission data	None	&H0	&H0	-
Flow control of received data (software)	None	&I0		
Flow control of received data (RTS control)	None	&R1		
Writing in nonvolatile memory	Write in the nonvolatile memory.	&W	&W	&W

Table 8.5: AT Command for GSM Modem

Setting Item	Set content	Example Setting
		M20T
Enable command echo	Echo mode OFF	E0
Set number of ring before automatically answering the call	Enable automatic answering on the ring twice	S0=2
Set circuit data set ready (DSR) function mode	DSR always ON	&S0
Set TE-TA local data flow control	<ul style="list-style-type: none"> Specifies the method which will be used by TE when data is received from TA: None Specifies the method which will be used by TA when data is received from TE: None 	+IFC=0,0
Report mobile equipment error	Enable result code and use numeric value	+CMEE=1
Set fixed local rate	Baud Rate: 9600 bps	+IPR=9600
Set circuit data carrier detect (DCD) function mode*1	DCD line is ON only in the presence of Data Carrier	&C1
Select bearer service type*1	9600 bps (V.32), asynchronous modem, non-transparent	+CBST=7,0,1
Store current parameter to use defined profile	The user profile is stored in non-volatile memory	&W

*1 In Siemens M20T case, these settings are not necessary because they are default settings. If using other GSM Modem, maybe these settings are necessary.

b) Timing to initialize the modem during system startup

In the α2 series, there is a function to delay the transmission of the modem command (AT command) to initialize the modem from the main unit at start up. The delay can range from 0 - 10 seconds. This command can be useful to ensure the AT command is correctly transmitted when the α2 series start up is faster than the modem start up.

Further information for the modem operation can be found in the α2 Programming Manual and the α Software Manual.

MEMO

ENG

9. AL2-ASI-BD (AL2-14MR-*, AL2-24MR-*)

The AL2-ASI-BD Actuator Sensor Interface board module is used in conjunction with α2 series controller for data communication over an Actuator Sensor Interface (AS-interface) network.

Further information can be found in the α2 Series Programming Manuals.



Caution

- Persons trained in the local and national electrical standards must replace the AL2-ASI-BD.
- Turn off the power supply when you install or remove the AL2-ASI-BD.
- Replace the cover after removing the AL2-ASI-BD.
- Under no circumstances will Mitsubishi Electric be liable or responsible for any consequential damage that may arise as a result of the installation or use of this equipment.

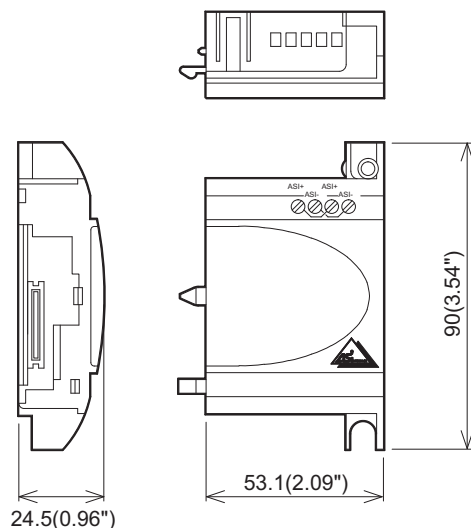
9.1 Introduction

The AL2-ASI-BD connects onto the main unit of the α2 series controller, forming a slave station for an AS-interface network (Input 4 points, Output 4 points). A maximum of 31 slaves can be connected to form an AS-interface network. Power for the communication is supplied over the AS-interface bus by the AS-interface power supply. The communication signal is superimposed over the power supply on the AS-interface bus.

9.1.1 External Dimensions

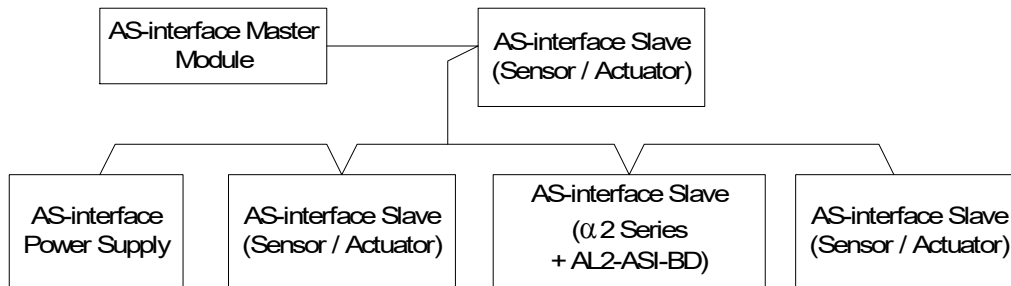
Figure 9.1: External Dimensions

Unit: mm (inches)



9.1.2 System Configuration

Figure 9.2: System Configuration



ENG

9.2 Specifications

For general specifications please refer to the Chapter 2.

Table 9.1: Hardware Communication Specifications

Item	Content
Number of I/O	4 Input (E01-E04) 4 Output (A01-A04)
I/O Refresh Time	Max. 5ms
Network Distance	Max. 100m
External Power Voltage	Typ. 30.5V DC (AS-interface Power supply)
External Power Current Consumption	40 mA or less
EC Directive	EMC
Complies with	AS-interface Certification

Table 9.2: Software Communication Specifications

Item	Content	
Station Number	Set by Master Station (Factory default 0)	
IO Code	7	
ID Code	F	
Data Bit	D0 - D3	Input/Output 01 - 04 (E01 - E04, A01 - A04)
Parameter Bit	P0	Communication monitor (set by default). ^{*1}
	P1,P2,P3	Unused
System Bit	M6	“ON” when communication Error of AS-interface occurs
	M7	“ON” when communication Error by AS-interface power fail occurs
Control Bit	N1	ON: Connect to AS-interface network OFF: Unconnected to AS-interface network

^{*1} Function to reset input signal (E01 - E04) when AS-interface communication is cut for 70 ms or more.

9.3 Wiring & Installation

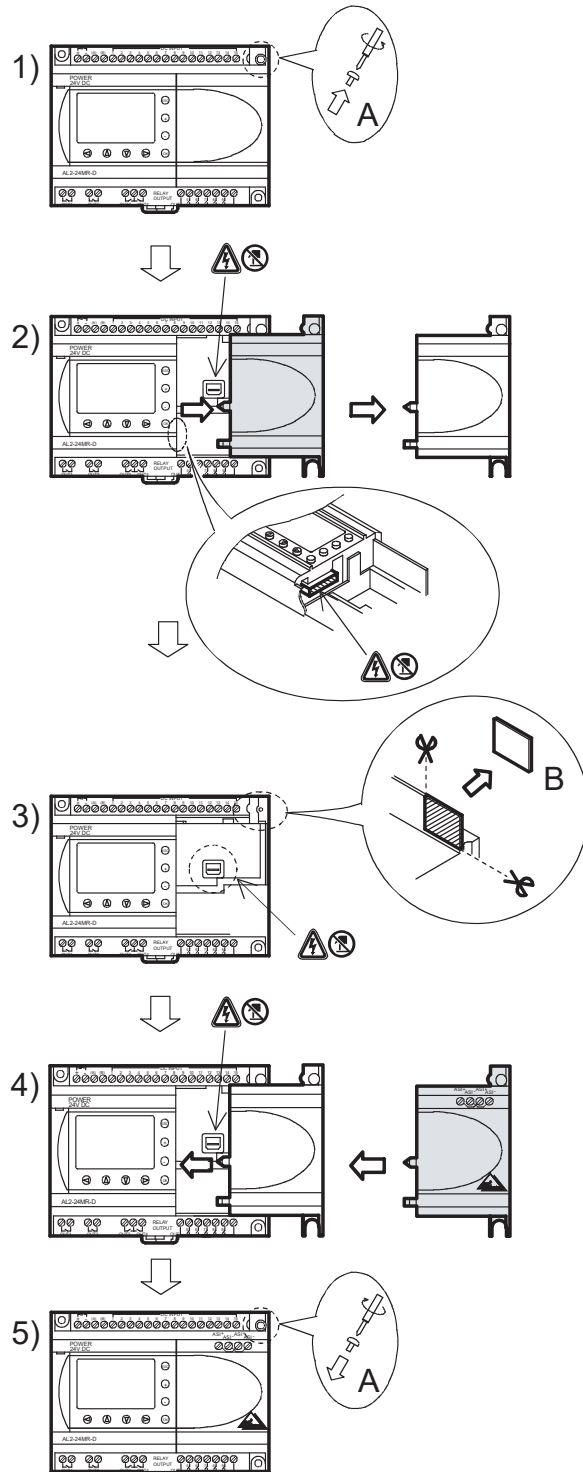
9.3.1 Installation



Caution

Disconnect all terminals from the power supply before removing the cover.

Figure 9.3: Installation



- 1) Release screw 'A' and keep.
- 2) Carefully remove the factory fitted expansion port cover.
- 3) Cut away section 'B' from the α2 series controller main unit.
- 4) Attach the expansion module to the main unit.
- 5) Tighten screw 'A' to a torque of 0.4 N·m.

: A danger of electric shock.

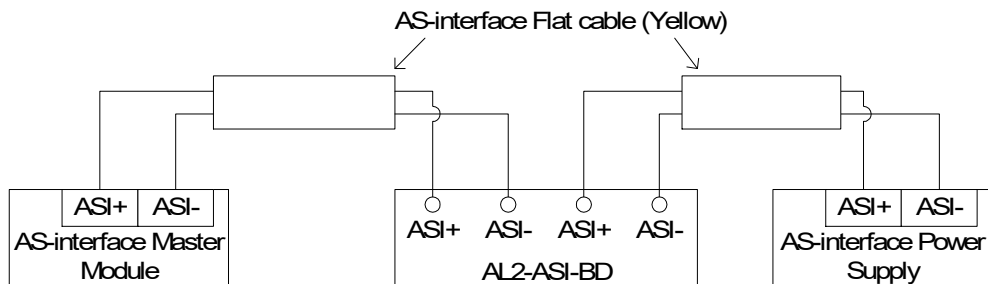
: Do not touch the conductive parts of the product directly.

9.3.2 Wiring



Use the AS-interface flat cable (yellow) for connecting the AL2-ASI-BD to the network. When connecting AS-interface cable to the module, tighten communication connector pin screws to a torque of 0.5 - 0.6N·m.

Figure 9.4: Wiring



ENG

9.4 Slave Address Setting & Diagnostics

9.4.1 Setting Slave Address

The address of AL2-ASI-BD must be set from the AS-interface master module. The setting range of the slave address is 1 to 31. New modules are preset to 0 before shipping, if a module has been previously assigned an address other than 0, it must be reset to 0 before it need to add into new AS-interface network.

Refer to the AS-interface master module's manual for details of how to set station address from the AS-interface master.

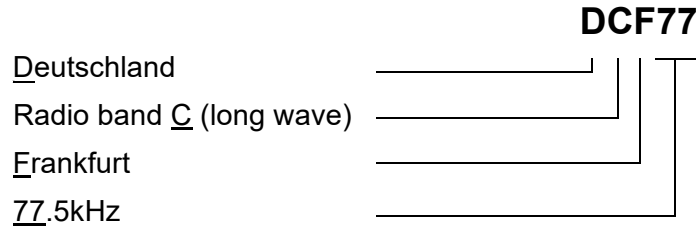
Many modules can be added to a network at one time, all but one of them should be set in their passive state (set N1=1). Once the network has been powered up the modules can be individually activated (set N1=0), where the Master station will assign a slave address.

9.4.2 Applicable Error checks

- 1) If a Communication error (M6) occurs;
 - Check connections to the AS-interface master, and that the slave station number is correct.
- 2) If a Communications power supply error (M7) occurs;
 - Check the connection of the AS-interface Bus cable at each affected unit, also the AS-interface power supply and its operation.

10. DCF77 Radio Clock

The DCF77 function for the α2 series provides automatic setup of the RTC (Real Time Clock) from receiving and decoding DCF77 time information that is broadcast over the radio signal 77.5kHz from Frankfurt/Germany.



10.1 Introduction

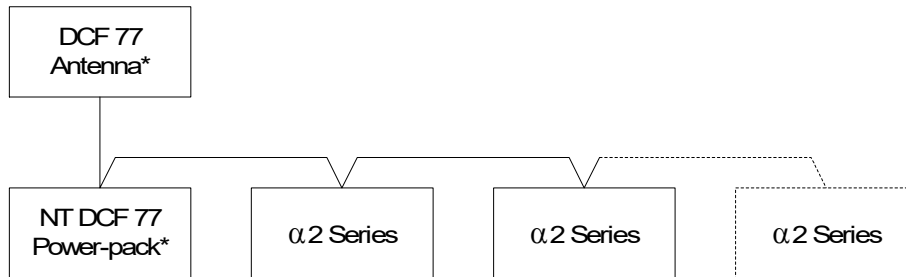
Table 10.1: Radio Clock

Item	Content
Transmitter location	Mainflingen, 25km south of Frankfurt/Germany
Frequency	77.5kHz
Transmission Range	2000km
Coding	BCD (Binary Coded Decimal)
Transmitted Data	minutes, hours, calendar day, day of the week, month, year
Transmission Time	24 hours daily

The carrier amplitude is reduced to 25% at the beginning of each second for a period of 100ms (binary:0) or 200ms (binary:1), except for the 59th second.

10.2 System Configuration

Figure 10.1:



* Manufactured by Theben AG

The α2 series must use a Theben DCF77 antenna and at least one Theben device to power the antenna. The α2 series internal decoding will only recognise a Theben DCF77 signal.

The extra Theben device must power the antenna with 12V DC, only a Theben power supply can be used to provide the required power and signal line.

A maximum of 10 α2 series main units can be connected in one configuration.

10.3 Specifications

For general specifications please refer to Chapter 2.

Table 10.2: Theben DCF77 Antenna

Item	Content
Part Name	DCF 77 Antenna 907 0 243
Ambient Temperature	-20 - 70°C
Protection	IP 54
Reception Threshold	100µV/m
Reception Area	approx. 1000km from Frankfurt
Connection cable length	max. 200m
Polarity	none



Caution

- To avoid interference from external signals, do not use the Theben DCF77 antenna in TV, PC or telecommunications areas.

Table 10.3: Theben Power-pack

Item	Content
Part Name	Power pack NT DCF 77 907 0 182
Operating Voltage	230V AC~ +/-10%
Nominal frequency	50-60Hz
Internal consumption	max. 3VA
Power-line length	max. 200m individually conducted two-core power line
Capacity	10 units
Protection class	II acc. to EN 60335
Protection	IP20 acc. to EN 60529

Table 10.4: Applicable Version

PLC Type	Applicable version
α2 Series (DC Version only)	V2.00 or later
VLS Software	V2.30 or later



Caution

- The AC version of the α2 series cannot be used to receive DCF77 radio signals.
- Only analog inputs that are available with the DC version of the α2 series can be used to decode DCF77 radio signals.

Table 10.5: Software Specifications

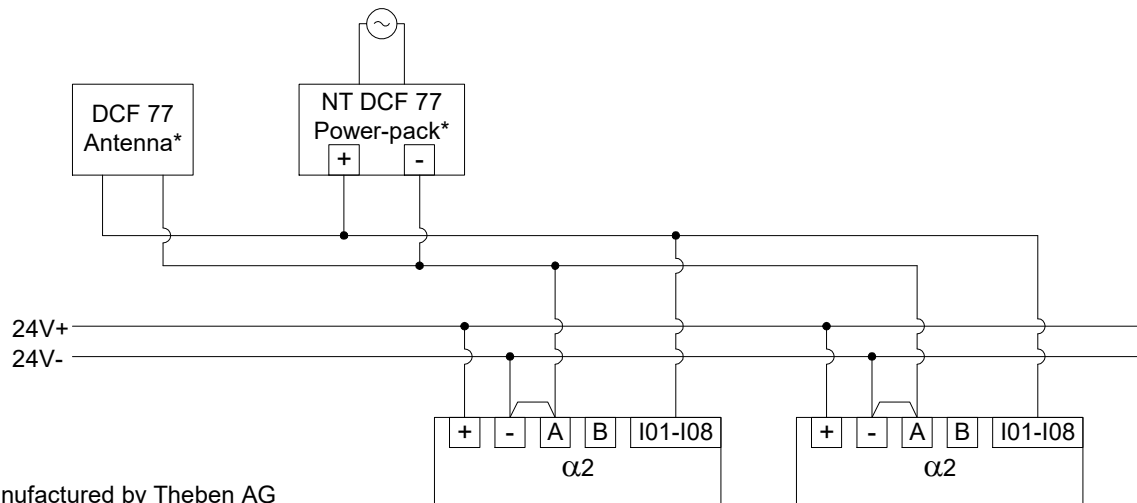
Item	Content
System Bit	M10 "ON" during DCF77 decoding
	M11 Pulses "ON" when DCF77 finishes decoding without an error
	M15 "ON" when DCF77 finishes decoding an error

For further Front programming details please refer to the α2 Programming Manual (JY992D97101).

10.4 Wiring

10.4.1 Wiring

Figure 10.2: Wiring



* Manufactured by Theben AG

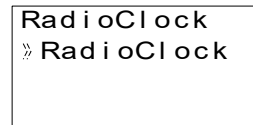
The α2 series controller must be wired for a source configuration, otherwise, the DCF77 signal will not be received and decoded at the analog inputs.

Table 10.6: Wiring conditions

Item	Description
α2 Series Antenna signal inputs	AL2-10MR-D:I01 - I06 AL2-14MR-D,AL2-24MR-D:I01 - I08
Max. α2 Series controllers	10 units
Max. wiring distance from antenna	200m

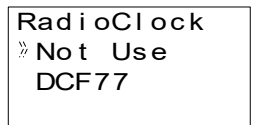
10.4.2 DCF77 Setup from α2 display

- 1) From the TopMenu, scroll to “ClockSet” and press the “OK” key. From the options that appear, scroll to “Radioclock” and press the “OK” key. Only one option appears if the Radioclock has not been activated. Scroll to “Radioclock” and press the “OK” key.

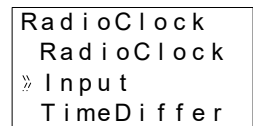


ENG

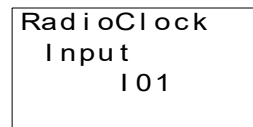
- 2) From the options that appear, scroll to “DCF77” and press the “OK” key.



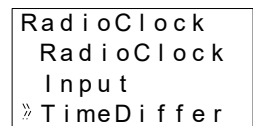
- 3) Choose the α2 Analog Input (I01-I08) that carries the DCF77 antenna signal. More options will appear under the Radioclock menu. Scroll to “Input” and press the “OK” key.*1



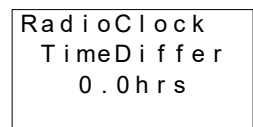
- 4) Enter the Analog Input (I01-I08) with the +, - buttons and press the “OK” key.



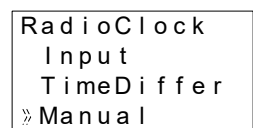
- 5) Adjust for the timezone difference between Frankfurt Germany and the controllers’ location. This amount is added to the received time. Scroll to “TimeDiffer” and press the “OK” key.



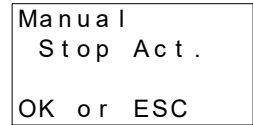
- 6) Select the timezone difference in half hour increments using the +,- buttons. Press “OK” to select the current timezone difference.



- 7) The time signal decoding can be manually stopped or started. Scroll to “Manual” and press the “OK” key.



8) Press the "OK" or "ESC" keys to preform an execute or cancel operation.



Note

*1 The α2 Controller will alternate between "No signal" and "Radioclock" if the DCF77 signal is not received and decoded.

10.4.3 Automatically Start

The DCF77 Radioclock decoding phase will start automatically if the following conditions are satisfied:

- 1) The α2 Real Time Clock (RTC) reaches 1.00am.
- 2) The α2 Real Time Clock (RTC) will produce an error after Powering ON the controller.

10.4.4 Automatically Stop

The DCF77 Radioclock decoding phase will stop automatically if the following conditions are satisfied:

- 1) The α2 Real Time Clock (RTC) was configured correctly and a valid time was received
- 2) No valid time was received during 30 minutes of retries.

10.4.5 Verification of Received Time

The DCF77 Radioclock decoded time is checked for validity based on the following three items:

- 1) Parity Check - The DCF77 time code data frame is protected by 3 (even) parity bits. The first parity bit protects the minute data, the second protects the hour data and the third parity bit protects the day, day of the week, month and year data.
- 2) Data Range Check -
 - a) $0 \leq \text{minutes} \leq 59$
 - b) $0 \leq \text{hours} \leq 23$
 - c) $1 \leq \text{days} \leq 31$
 - d) $1 \leq \text{month} \leq 12$
 - e) $0 \leq \text{year} \leq 59$
- 3) Time Difference Check - The difference between two received time frames must equate to 1 minute, thus, the total time (in minutes from 1990/01/01) of every time frame is referenced.



Caution

- When "Start Act." is used to manually start DCF77 decoding, the user must check the state of M10 (decoding active flag) 30 minutes after starting the decoding. If M10 is off, DCF77 decoding finished without error. If M10 is still ON, there is a problem with either the wiring or the availability of the signal in the location of use. The user should check both possible causes.

MEMO

ENG

11. AL2-2DA (AL2-14MR-*, AL2-24MR-*)

The AL2-2DA Analog Output module should be used with the α2 Series Controller for 2 channels of either voltage or current output.

Further information can be found in the α2 Series Programming Manual and the AL2-2DA Installation Manual.



Caution

- Persons trained in the local and national electrical standards must perform all tasks associated with wiring the α2 Series Controller.
- The α2 Series is not designed to be used in life critical or fail safe applications.
- Under no circumstances will Mitsubishi Electric be liable or responsible for any consequential damage that may arise as a result of the installation or use of this equipment.
- Securely install the AL2-2DA to the α2 Series controller to avoid any malfunction.



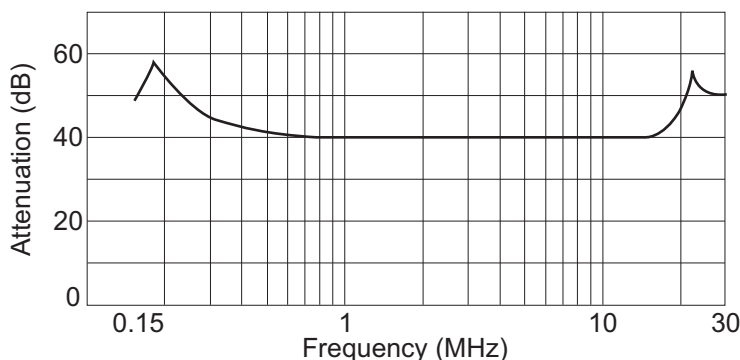
EMC Caution

Mitsubishi Electric α2 Series Analog module has been found to be compliant to the said European standards and directive. However, (for the very best performance from what are in fact delicate measuring and controller output devices) Mitsubishi Electric would like to make the following points:

- As analog modules are sensitive by nature, their use should be considered carefully. For users of proprietary cables (integral with sensors or actuators), these users should follow those manufacturers installation requirements.
- Mitsubishi Electric recommends that shielded cables should be used. If NO other EMC protection is provided, then users may experience temporary errors not exceeding +10%/-10% in very heavy industrial areas. However, Mitsubishi Electric suggest that if adequate EMC precautions are followed with general good EMC practise for the users complete control system, users should expect normal errors as specified in each independent product manual.
- Make sure to attach a noise filter to the power cable.

Mitsubishi's EMC tests have been carried out on a noise filter with the common mode damping characteristics (Figure 11.1) of the 50 dB mean at 150 kHz to 2 MHz.

Figure 11.1: Damping Characteristics of Noise Filter



11.1 Introduction

The AL2-2DA Analog Output Module (hereafter called "AL2-2DA") is to be installed onto an α2 Series Controller and should be used to convert a digital value to a voltage (0-10V) or current (4-20mA) analog output signal.

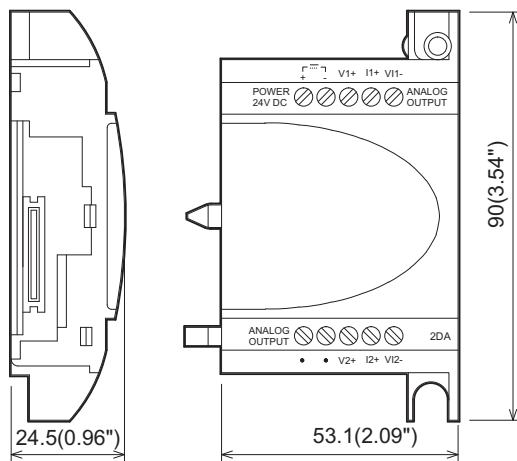
The AL2-2DA is to be used in conjunction with the α2 Series Controller's Analog Output (AO) function block. Refer to the α2 Programming manuals for further details.

ENG

11.1.1 External Dimensions

Figure 11.2: External Dimensions

Unit:mm (inches)



11.1.2 System Configuration

For general specifications please refer to Chapter 2.

Table 11.1: Applicable Version

PLC Type	Applicable version
AL2-14MR-*,AL2-24MR-*	V2.00 or later
VLS Software	V2.30 or later



Note

- 1) The AL2-2DA cannot be used together with either an AL2-4EX-A2, AL2-4EX, AL2-ASI-BD, AL2-4EYR or AL2-4EYT.
- 2) The AL2-2DA cannot be used with the original α Series Controllers.

11.2 Specification

Table 11.2: Power Specification

Item	Content
Integrated Power Supply	Supplied from the α2 Main Unit
External Supply for Analog Output	24V DC +20%, -15%
Maximum Power Consumption	1.5W
Fuse <Rating>/<Type>	86 V DC 1.6A / Inrush-withstand

Table 11.3: Hardware Specification

Item	Specification	
	Voltage	Current
Analog Output Range	0 - 10V DC (External load resistance 5k - 1MΩ)	4 - 20mA (External load resistance less than 500Ω)
Digital Input	0 to 4000	0 to 2000
Resolution	2.5mV (10V / 4000)	8μA ((20-4)mA / 2000)
Integrated accuracy	+/- 1% Full scale (0-10V : +/-0.1V)	+/- 1% Full scale (4-20mA : +/-0.16mA)
D/A Conversion Time	20ms (10ms x 2ch)	
Isolation Circuit	Photocoupler	
Input Characteristics		



Note

- 1) When the external load resistance is 5kΩ to 1MΩ, the overall accuracy of the voltage output is adjusted to “+/-1%”. (Factory calibration point is 10kΩ external load)
If the load resistance is smaller than 5kΩ, the output voltage becomes smaller than the correct value.
- 2) If the current output mode is used, an external load resistance of 500Ω or less must be used.
If the load resistance exceeds 500Ω, the output current will be lower than the correct value.

Table 11.4: Software Specification

Item	Content	
System Bit	M16	“ON” when external power for the AL2-2DA

11.3 Wiring & Installation

11.3.1 Installation

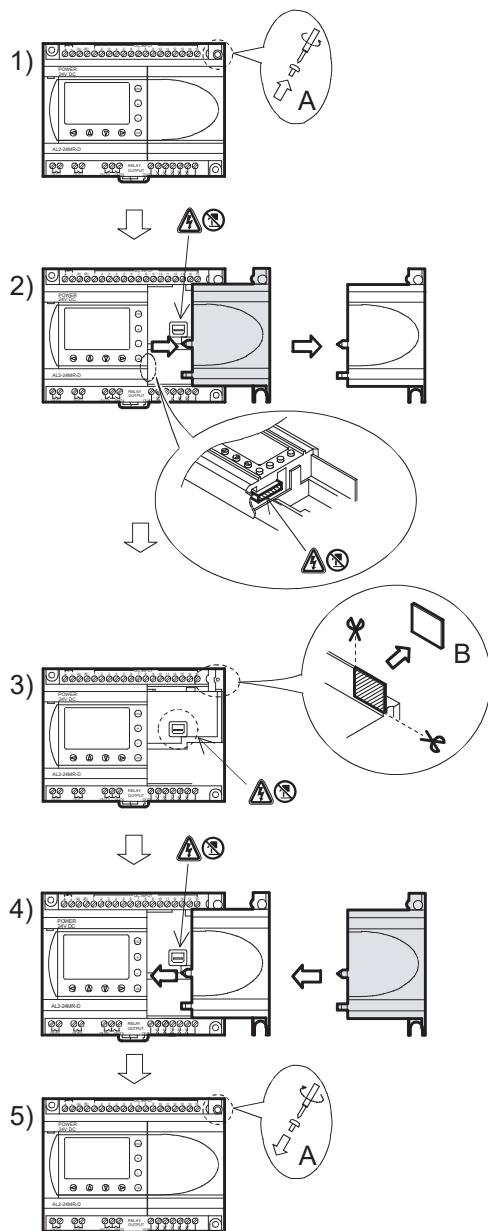


Caution

- Disconnect all terminals from the power supply before installing the AL2-2DA.
- Do not install in areas with: excessive or conductive dust, corrosive or flammable gas, moisture or rain, excessive heat, regular impact shocks or excessive vibration.
- The α2 Series Controller and AL2-2DA must be installed in a distribution box or a control cabinet.
- Leave a minimum of 10 mm (0.40") of space for ventilation between the top and bottom edges of the α2 Series Controller and the enclosure walls.

ENG

Figure 11.3: Installation



- 1) Release screw 'A' and keep.
- 2) Carefully remove the factory fitted expansion port cover.
- 3) Cut away section 'B' from the α2 series controller main unit.
- 4) Attach the expansion module to the main unit.
- 5) Tighten screw 'A' to a torque of 0.4 N·m.

: A danger of electric shock.

: Do not touch the conductive parts of the product directly.

11.3.2 Wiring



Caution

- Turn off the Power before performing any wiring operations.
- The Output cables should not be run through the same multi core cable or share the same wire.
- The wire should be used as a single cable or the multi core wires (can be used with a crimp terminal) should be carefully twisted together.
Do not connect a soldered wire end to the α2 Series Controller.
- The Output cable length must be less than 30 m (98' 5")
- To avoid damaging the wire, tighten to a torque of 0.5 - 0.6 N·m.
- The connectors must be covered to prevent contact with "Live" wires.

Figure 11.4:Wiring in Voltage output mode

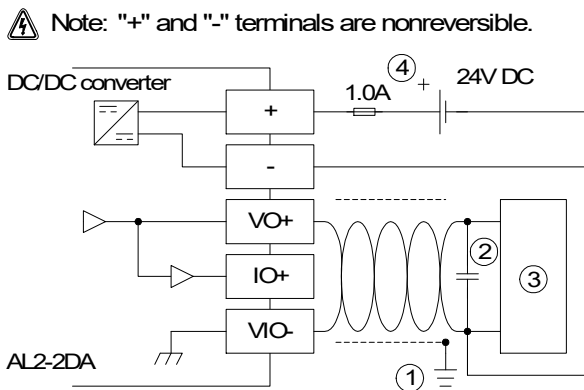


Figure 11.5:Wiring in Current output mode

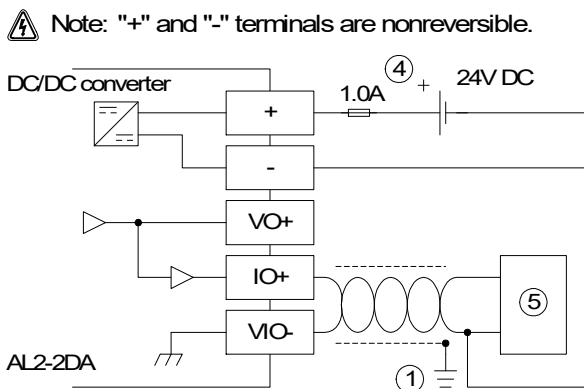


Table 11.5: Wiring Notation

Item	Description
1	Grounding resistance of 100Ω or less
2	In the case of apparent excess noise please connect a 0.1-0.47μF capacitor
3	External equipment such as an Inverter, etc.
4	External 24VDC power supply
5	External equipment such as a Record meter, etc.

11.3.3 Applicable Error checks

1) If an External power supply error (M16) occurs:

Check the “+” and “-” connections to the AL2-2DA for correct wiring and installation procedures.

Check the original Power Supply source for 24V DC operation.

ENG

12. AL2-2PT-ADP

The AL2-2PT-ADP PT100 adaptor module (hereafter called “AL2-2PT-ADP”) should be used to amplify PT100 temperature input to 0 - 10V voltage analog signal for use in the main unit.

Further information can be found in the AL2-2PT-ADP Installation Manual.



Caution

- Persons trained in the local and national electrical standards must perform all tasks associated with wiring the α2 Series Controller and AL2-2PT-ADP.
- The α2 Series is not designed to be used in life critical or fail safe applications.
- Under no circumstances will Mitsubishi Electric be liable or responsible for any consequential damage that may arise as a result of the installation or use of this equipment.



EMC Caution

Mitsubishi Electric α2 Series Analog modules has been found to be compliant to the said European standards and directive. However, (for the very best performance from what are in fact delicate measuring and controller output devices) Mitsubishi Electric would like to make the following points:

- As analog modules are sensitive by nature, their use should be considered carefully. For users of proprietary cables (integral with sensors or actuators), these users should follow those manufacturers installation requirements.
- Mitsubishi Electric recommends that shielded cables should be used. If NO other EMC protection is provided, then users may experience temporary errors not exceeding +10%/-10% in very heavy industrial areas. However, Mitsubishi Electric suggest that if adequate EMC precautions are followed with general good EMC practise for the users complete control system, users should expect normal errors as specified in each independent product manual.

12.1 Introduction

The AL2-2PT-ADP should be used convert PT100 Temperature input (-50 - 200°C) to a voltage equivalent (0 - 10V) for direct use in the main unit.

12.1.1 External Dimensions

Figure 12.1: External Dimensions

Unit: mm (inches)

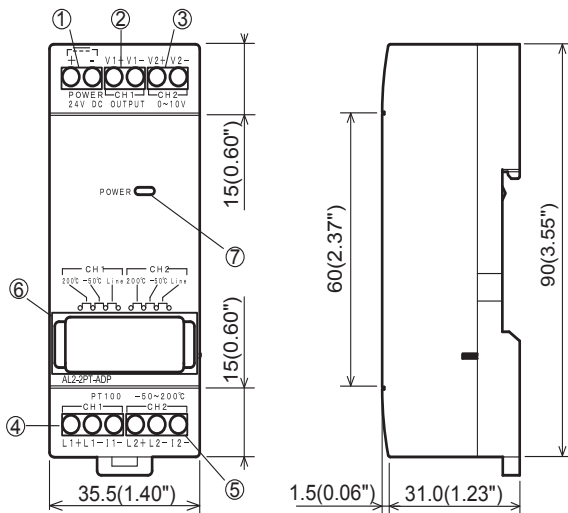


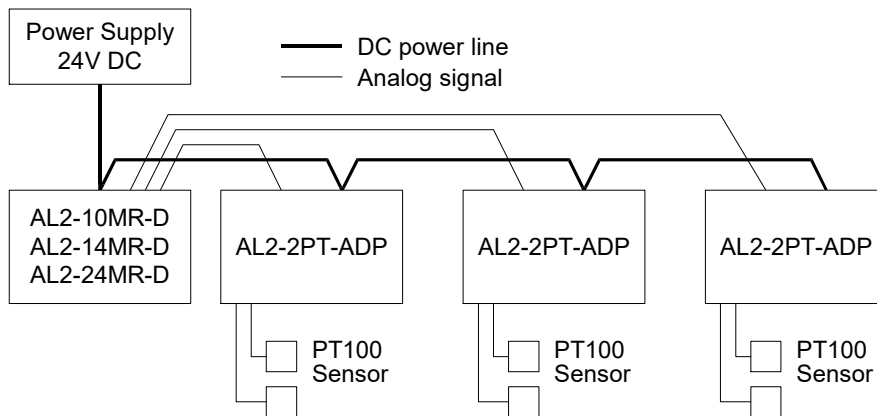
Table 12.1:

Item	Description
1	+24V DC Power Supply
2	Channel 1 Voltage Output Terminal
3	Channel 2 Voltage Output Terminal
4	Channel 1 PT100 Sensor Input Terminal
5	Channel 2 PT100 Sensor Input Terminal
6	Jumper pins for adjustment
7	Power LED

ENG

12.2 System Configuration

Figure 12.2:



For general specifications please refer to Chapter 2.

Table 12.2: Applicable Version

PLC Type	Applicable version
α2 Series (DC Version only)	V2.00 or later
VLS Software	V2.30 or later



Note

The AL2-2PT-ADP cannot be used with the original α Series Controllers.

12.3 Specification

Table 12.3: General Specification

Item	Content
Operating Temperature	(-25) - 55°C / (-13) - 131°F
Storage Temperature	(-30) - 70°C / (-22) - 158°F
Humidity	35 - 85% Relative humidity, no condensation
Vibration Resistance - DIN Rail mounting	Conforms to IEC 68-2-6; 10-57: Hz: 0.075mm Constant Amplitude 57-150Hz:9.8m/s ² Acceleration. Sweep Count for X, Y, and Z: 10 times (80 minutes in each direction)
Shock Resistance	Conforms to IEC 68-2-27: 147m/s ² Acceleration, Action Time: 11ms 3 times in each direction X, Y and Z
Noise Immunity	1000 Vpp, 1μs, 30-100Hz tested by a noise simulator
Dielectric Withstand Voltage	500V AC~ for one minute between all terminals and the DIN43880 control box or equivalent.
Insulation Resistance	7MΩ 500V DC between all terminals and the DIN43880 distribution box or equivalent.
Operation Ambience	To be free of corrosive gases

Table 12.4: Power Specification

Item	Content
Power Supply	24V DC +20%, -15%
Maximum Power Consumption	1.0W

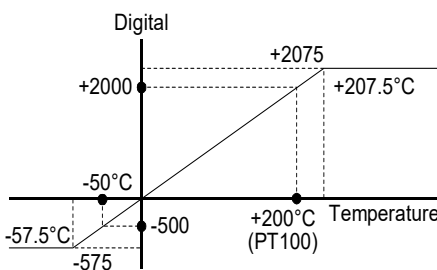
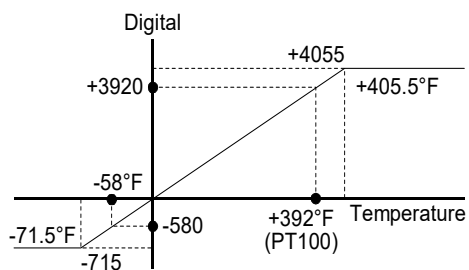
Table 12.5: Adjustment Standard

Item	Content	
EC Directive	EMC	EN61131-2: 2007
Certification of UL/cUL		File number: E95239

Table 12.6: Hardware Specifications

Item	Specification	
	Centigrade (°C)	Fahrenheit (°F)
Input Specification	Platinum temperature PT100 sensors (100Ω), 3-wire, Temperature coefficient: JIS C 1604-1997 (IEC 751)	
Compensated Range	-50°C - 200°C	-58°F - 392°F
Overall accuracy	±1.5% (range of all temperatures) and ±1.0% (at 25°C)	±1.5% (range of all temperatures) and ±1.0% (at 77°F)
Resolution	0.5°C	
D/A Conversion Time	20.5ms	
Isolation Circuit	No isolation between channels (input/output) and power	

Table 12.6: Hardware Specifications

Item	Specification	
	Centigrade (°C)	Fahrenheit (°F)
Input Characteristics		

ENG

Table 12.7: Software Specification

Item	Content	AL2-10MR-D	AL2-14MR-D AL2-24MR-D	
System Bit	M17	“ON” when there is a sensor defect at I01	✓	✓
	M18	“ON” when there is a sensor defect at I02	✓	✓
	M19	“ON” when there is a sensor defect at I03	✓	✓
	M20	“ON” when there is a sensor defect at I04	✓	✓
	M21	“ON” when there is a sensor defect at I05	✓	✓
	M22	“ON” when there is a sensor defect at I06	✓	✓
	M23	“ON” when there is a sensor defect at I07	—	✓
	M24	“ON” when there is a sensor defect at I08	—	✓

12.4 Wiring and Installation

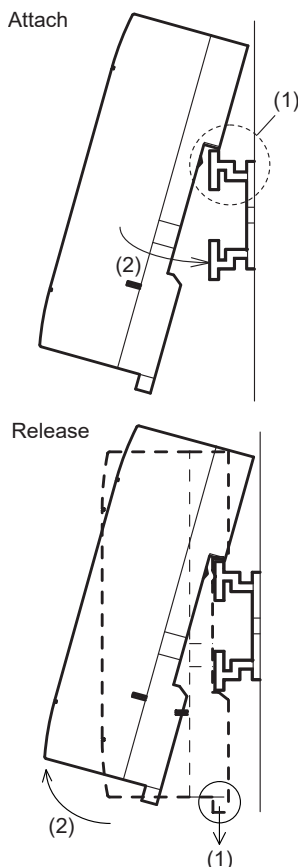
12.4.1 Installation



Caution

- Do not install in areas with: excessive or conductive dust, corrosive or flammable gas, moisture or rain, excessive heat, regular impact shocks or excessive vibration.
- The connectors must be covered to prevent contact with “Live” wires.
- The α2 Series Controller and AL2-2PT-ADP must be installed in a distribution box or a control cabinet. The distribution box should be equipped with a cover for the AL2-2PT-ADP module to avoid any possible foreign objects from falling inside.
- Leave a minimum of 10mm (0.40") of space for ventilation between the top and bottom edges of the AL2-2PT-ADP and the enclosure walls.
- The maximum distance between the α2 Series Controller and the AL2-2PT-ADP should be 3m (9'10") or less.
- The power cable should be less than 10m in length.
- A sensor with insulation rated for 500V or more should be used when the sensor is placed near a conductive material.

Figure 12.3: Installation



Units can be snap mounted to 35mm DIN rail (DIN EN 50022). To release the unit pull the spring loaded clips away from the rail and slide the unit off and up.

- 1) To Attach
Align the upper side of the AL2-2PT-ADP DIN rail mounting groove with the DIN rail (1) and push it onto the rail (2).
- 2) To Release
Pull the DIN rail hook (1) and remove the AL2-2PT-ADP.

12.4.2 Wiring

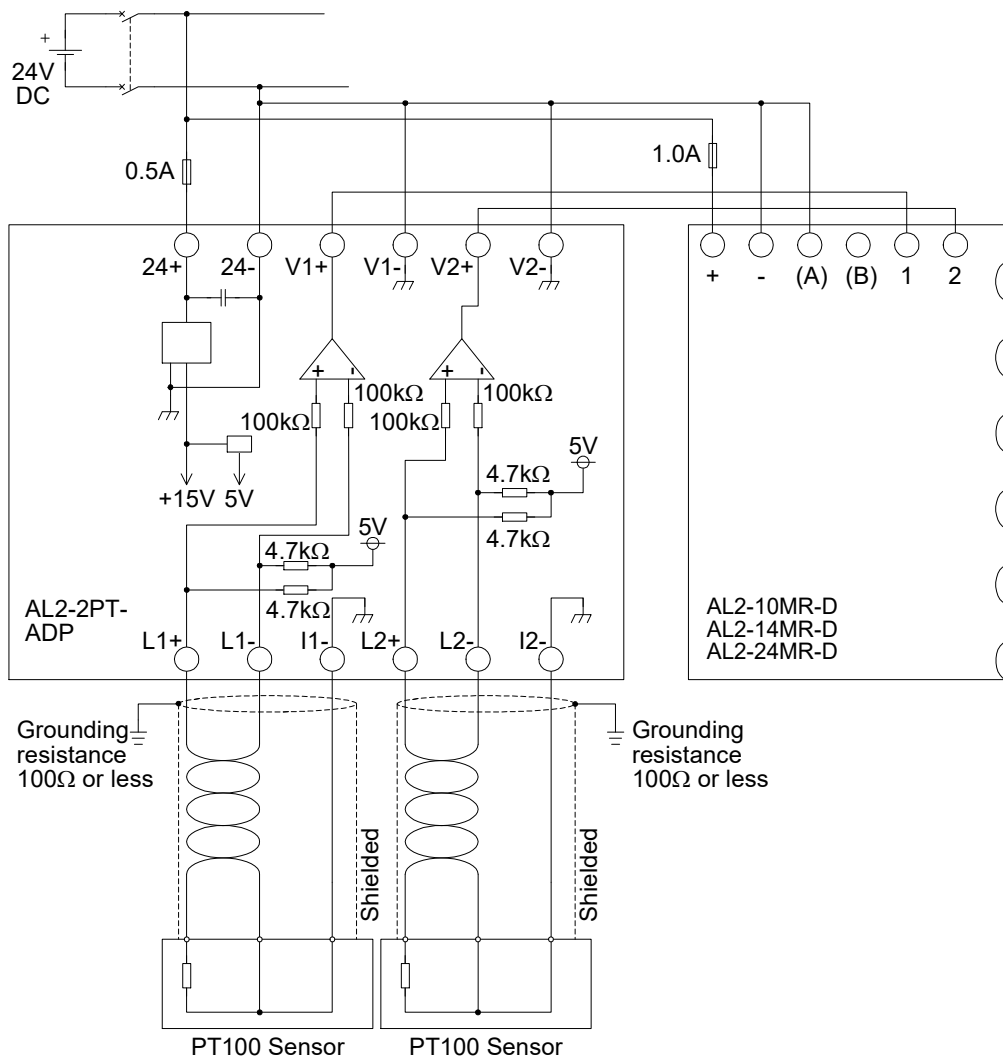


Caution

- Please use an isolated Power supply and turn off the Power before any wiring operation is performed.
- Input and Output cables should not be run through the same multi core cable or share the same wire.
- Input cable (from sensor to AL2-2PT-ADP) must be less than 10m (32'81") and the output cable length must be less than 3m (9'10").
- The wire should be used as a single cable or the multi core wires (can be used with a crimp terminal) should be carefully twisted together. Do not connect a soldered wire end to the AL2-2PT-ADP.
- To avoid damaging the wire, tighten to a torque of 0.5 - 0.6 N·m.
- The AL2-2PT-ADP should be adjusted for offset and gain purposes, therefore, turn off the Power before performing the adjustment wiring.

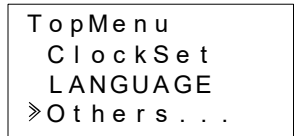
ENG

Figure 12.4:Wiring

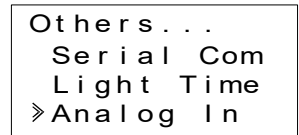


12.4.3 Choosing a Temperature Scale

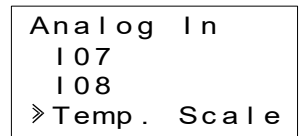
1) Turn on the power to the α2 controller and select “Others...” from the TopMenu.



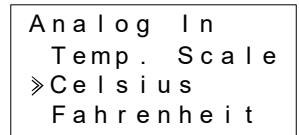
2) Select “Analog In” from the Others... menu.



3) Select “Temp. Scale” from the Analog In menu.



4) Choose “Celsius” or “Fahrenheit.” with the OK button



Only one system of units can be selected per controller.



The values under the Calibrate menu will remain in Celsius, regardless of the system of units that is selected for the controller, as they are the labels for the jumper pins on the Hardware.

12.4.4 Offset Adjustment



Note

If Gain adjustment is complete, then step 3 - 7 are not needed.

- 1) To begin the offset calibration for channel 1, turn off the power to the α2 controller and the AL2-2PT-ADP, remove the temperature sensor and shorten the pins L1- and I1-.
- 2) Remove the top cover from the jumper area and move the jumper to the pins labeled -50°C as in “Hardware Setup” below. The external wiring should be performed as in the Hardware Setup below.

ENG



Caution

The jumper should be installed correctly, otherwise, on occasion electrical contact may not occur.

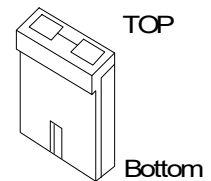
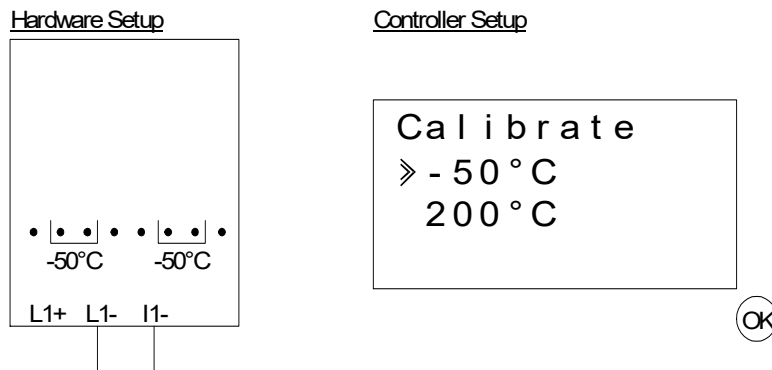
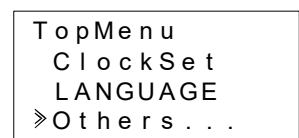


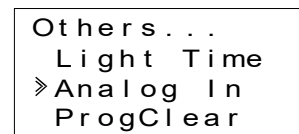
Figure 12.5: AL2-2PT-ADP Offset Adjustment



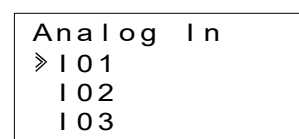
- 3) Turn the power on and select “Others...” from the TopMenu while in Stop Mode.



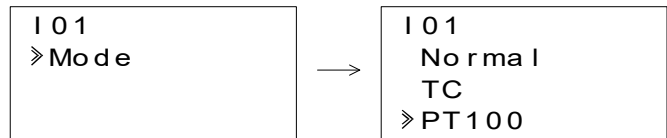
- 4) Select “Analog In” from the “Others...” menu.



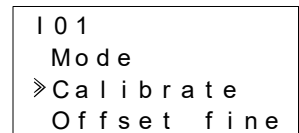
- 5) Select the Input that is connected to the AL2-2PT-ADP module.



- 6) Configure the input for temperature sensing with the AL2-2PT-ADP module by selecting “Mode” and choosing “PT100” from the following screen.

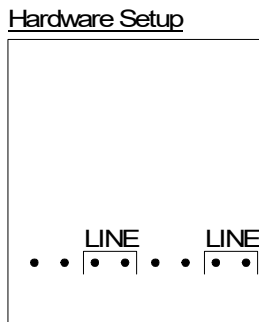


- 7) After setting the mode to “PT100”, select “Calibrate” from the Analog input settings menu.



- 8) Select “-50°C” from the Calibrate menu as in “Controller Setup” in the figure 12.5 and press OK. There should be a confirmation message that reads “OK.” If not, refer to the Applicable Error Checks section below. This completes the offset calibration procedure. To calibrate the offset for channel 2, repeat the steps above replacing L1-, L1+ and I1- with L2-, L2+ and I2- respectively. When the calibration is finished, move the jumper to the “LINE” pins.

Figure 12.6: Jumper position after calibration



It is usually necessary to perform the Gain Adjustment when performing the Offset Adjustment. See section 12.4.4 for more details.

12.4.5 Gain Adjustment



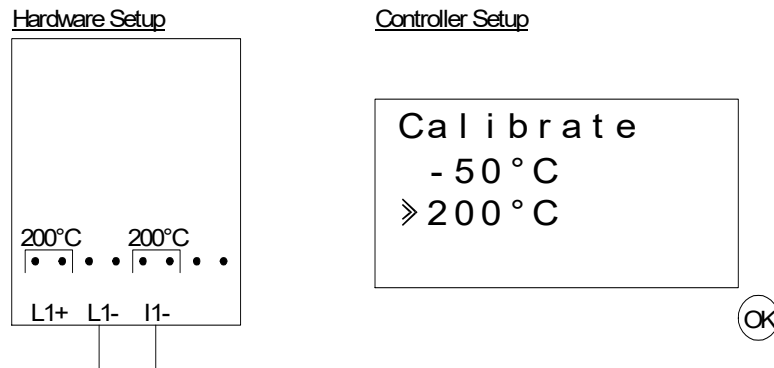
Note

If Offset adjustment is complete, then step 3 - 4 are not needed.

- 1) To begin the calibration for channel 1, turn off the power to the α2 controller and the AL2-2PT-ADP, remove the temperature sensor and shorten the pins L1- and I1-.

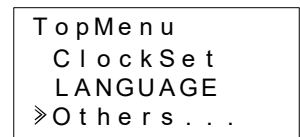
- Remove the top cover from the jumper area and move the jumper to the pins labeled 200°C as in “Hardware Setup” below.

Figure 12.7: AL2-2PT-ADP Gain Adjustment

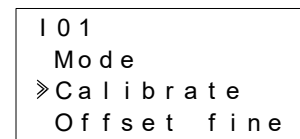


ENG

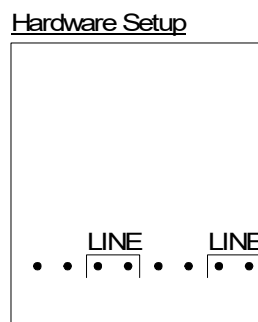
- Turn the power on and select “Others...” from the TopMenu while in Stop Mode.



- After setting the mode to “PT100” (See the Offset Adjustment description above.), select “Calibrate” from the Analog input settings menu.



- Select “200°C” from the Calibrate menu as in “Controller Setup” in the figure 12.7 and press OK. There should be a confirmation message that reads “OK.” If not, refer to the Applicable Error Checks section below. This completes the gain calibration procedure. To calibrate the gain for channel 2, repeat the steps above but replace L1-, L1+ and I1- with L2-, L2+ and I2- respectively. When the calibration is finished, move the jumper to the “LINE” pins.
Jumper position after calibration



It is usually necessary to perform the Offset Adjustment when performing the Gain Adjustment. See section 12.4.3 for more details.

12.4.6 Fine Offset Adjust



The fine adjust should only be performed after both Gain and Offset Adjusts have been performed.

- 1) From the TopMenu, select “Others...”

```
TopMenu
ClockSet
LANGUAGE
»Others...
```

- 2) From the “Others...” menu, select “Analog In”

```
Others...
Light Time
»Analog In
ProgClear
```

- 3) From the Analog In menu select an input that is configured for PT100 input.

```
Analog In
I 01
»I 02:PT100
I 03:TC
```

- 4) Select “Offset fine” from the Analog Input settings menu.

```
I 02
Mode
Calibrate
»Offset fine
```

- 5) Using the + and - buttons, enter a value from -15.5°C to 15.5°C (-27.9°F to 27.9°F). Press the OK button when finished.

```
I 02
Offset fine
0.0 °C
```

12.4.7 Applicable Error checks

In the event that the input voltage is greater than 11 V or equal to 0V the following system flags will be set.

Table 12.8:

		AL2-10MR-D	AL2-14MR-D AL2-24MR-D
M17	0: Normal 1: Defect at I01	✓	✓
M18	0: Normal 1: Defect at I02	✓	✓
M19	0: Normal 1: Defect at I03	✓	✓
M20	0: Normal 1: Defect at I04	✓	✓
M21	0: Normal 1: Defect at I05	✓	✓
M22	0: Normal 1: Defect at I06	✓	✓
M23	0: Normal 1: Defect at I07	—	✓
M24	0: Normal 1: Defect at I08	—	✓

ENG

- If the flags in the table above are activated, check that:

- a sensor is connected
- there is not a break in the sensor connection
- the temperature is not greater than the specified limit
- that power is being supplied to the AL2-2PT-ADP.

- If the “Error” message appears instead of “OK” while offset/gain calibration, check that.

- The power is being supplied to the AL2-2PT-ADP.
- The AL2-2PT-ADP is connected to α2 correctly.
- The input, which connects the AL2-2PT-ADP is selected for calibration.
- The AL2-2PT-ADP inputs L1- and I1- are shortened.
- The jumper on is placed either on the “-50°C” position or the “200°C” position.
- The calibration menu entry related to the jumper position is selected (“-50°C” or “200°C”).

13. AL2-2TC-ADP

The AL2-2TC-ADP thermocouple analog sensor adaptor module (hereafter called “AL2-2TC-ADP”) should be used to amplify thermocouple sensor (K type) temperature input to 0-10V voltage analog signal for use in the main unit. Further information can be found in the AL2-2TC-ADP Installation Manual.



Caution

- Persons trained in the local and national electrical standards must perform all tasks associated with wiring the α2 Series Controller and AL2-2TC-ADP.
- The α2 Series is not designed to be used in life critical or fail safe applications.
- Under no circumstances will Mitsubishi Electric be liable or responsible for any consequential damage that may arise as a result of the installation or use of this equipment.



EMC Caution

Mitsubishi Electric α2 Series Analog module has been found to be compliant to the said European standards and directive. However, (for the very best performance from what are in fact delicate measuring and controller output devices) Mitsubishi Electric would like to make the following points:

- As analog module are sensitive by nature, their use should be considered carefully. For users of proprietary cables (integral with sensors or actuators), these users should follow those manufacturers installation requirements.
- Mitsubishi Electric recommends that shielded cables should be used. If NO other EMC protection is provided, then users may experience temporary errors not exceeding +3%/-3% in very heavy industrial areas. However, Mitsubishi Electric suggest that if adequate EMC precautions are followed with general good EMC practise for the users complete control system, users should expect normal errors as specified in each independent product manual.

13.1 Introduction

The AL2-2TC-ADP should be used convert thermocouple sensor (K type) temperature input to 0-10V voltage analog signal for use in the main unit.

13.1.1 External Dimensions

Figure 13.1: External Dimensions

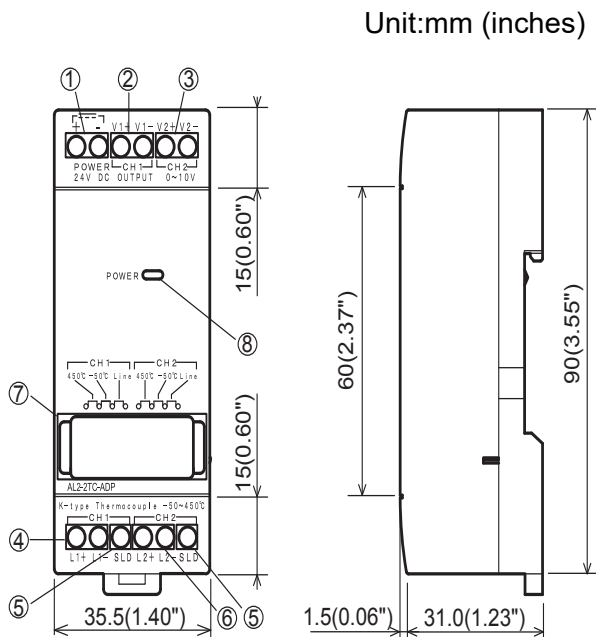


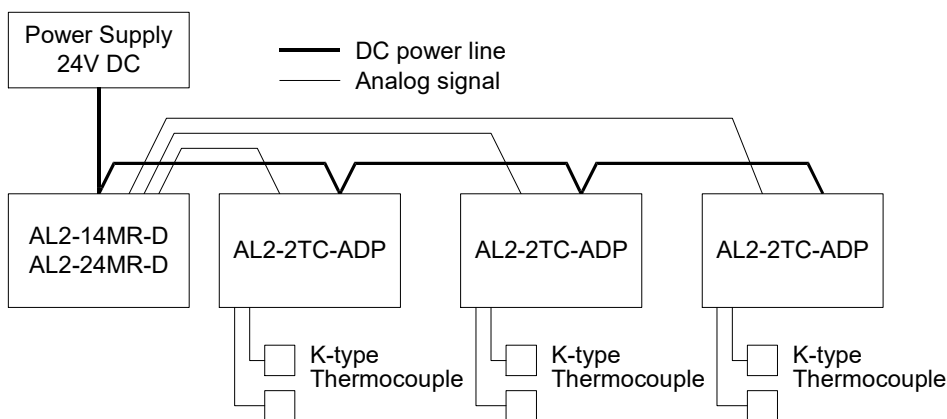
Table 13.1:

Item	Description
1	+24V DC Power Supply
2	Channel 1 Voltage Output Terminal
3	Channel 2 Voltage Output Terminal
4	Channel 1 K-Type Thermocouple Sensor Input Terminal
5	Shield Grounding Terminal
6	Channel 2 K-Type Thermocouple Sensor Input Terminal
7	Jumper pins for adjustment
8	Power LED

ENG

13.2 System Configuration

Figure 13.2:



For general specifications please refer to Chapter 2.

Table 13.2: Applicable Version

PLC Type	Applicable version
α2 Series (DC Version only)	V2.00 or later
VLS Software	V2.30 or later



Note

The AL2-2TC-ADP cannot be used with the original α Series Controllers.

13.3 Specification

Table 13.3: General Specification

Item	Content
Operating Temperature	(-25) - 55°C / (-13) - 131°F
Storage Temperature	(-30) - 70°C / (-22) - 158°F
Humidity	35 ~ 85% Relative humidity, no condensation
Vibration Resistance - DIN Rail mounting	Conforms to IEC 68-2-6; 10-57: Hz: 0.075mm Constant Amplitude 57-150Hz:9.8m/s ² Acceleration. Sweep Count for X, Y, and Z: 10 times (80 minutes in each direction)
Shock Resistance	Conforms to IEC 68-2-27: 147m/s ² Acceleration, Action Time: 11ms 3 times in each direction X, Y and Z
Noise Immunity	1000 Vpp, 1μs, 30-100Hz tested by a noise simulator
Dielectric Withstand Voltage	500V AC~ for one minute between all terminals and the DIN43880 control box or equivalent.
Insulation Resistance	7MΩ 500V DC between all terminals and the DIN43880 distribution box or equivalent.
Operation Ambience	To be free of corrosive gases

Table 13.4: Power Specification

Item	Content
Power Supply	24V DC +20%, -15%
Maximum Power Consumption	0.5W

Table 13.5: Adjustment Standard

Item		Content
EC Directive	EMC	EN61131-2: 2007
Certification of UL/cUL		File number: E95239

Table 13.6: Hardware Specifications

Item	Specification	
	Centigrade (°C)	Fahrenheit (°F)
Input Specification	Thermocouple K Type, JIS 1602-1995 (IEC 584-1 1977, IEC 584-2 1982), Isolated Type.	
Compensated Range	-50°C - 450°C	-58°F - 842°F
Overall accuracy	±2.0% (range of all temperatures) and ±1.5% (at 25°C)	±2.0% (range of all temperatures) and ±1.5% (at 77°F)
Resolution	1°C	
D/A Conversion Time	20.5ms	
Isolation Circuit	No isolation between channels (input/output) and power	

Table 13.6: Hardware Specifications

Item	Specification	
	Centigrade (°C)	Fahrenheit (°F)
Input Characteristics	<p>Detailed description: A graph showing the relationship between Temperature (K-Type) on the x-axis and Digital on the y-axis. The x-axis has labels at -70, -50, +450, and +470. The y-axis has labels at -70, -50, +450, and +470. A solid line represents the transfer function, passing through the points (-70, -70), (-50, -50), (450, 450), and (470, 470). Dashed lines connect these points to their respective values on the axes.</p>	<p>Detailed description: A graph showing the relationship between Temperature (K-Type) on the x-axis and Digital on the y-axis. The x-axis has labels at -94, -58, +842, and +878. The y-axis has labels at -94, -58, +842, and +878. A solid line represents the transfer function, passing through the points (-94, -94), (-58, -58), (842, 842), and (878, 878). Dashed lines connect these points to their respective values on the axes.</p>

ENG

Table 13.7: Software Specification

Item		Content	AL2-10MR-D	AL2-14MR-D AL2-24MR-D
System Bit	M17	“ON” when there is a sensor defect at I01	✓	✓
	M18	“ON” when there is a sensor defect at I02	✓	✓
	M19	“ON” when there is a sensor defect at I03	✓	✓
	M20	“ON” when there is a sensor defect at I04	✓	✓
	M21	“ON” when there is a sensor defect at I05	✓	✓
	M22	“ON” when there is a sensor defect at I06	✓	✓
	M23	“ON” when there is a sensor defect at I07	—	✓
	M24	“ON” when there is a sensor defect at I08	—	✓

13.4 Wiring and Installation

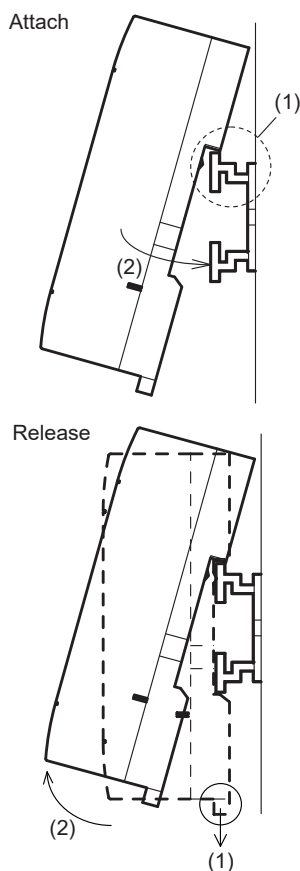
13.4.1 Installation



Caution

- Do not install in areas with: excessive or conductive dust, corrosive or flammable gas, moisture or rain, excessive heat, regular impact shocks or excessive vibration.
- The connectors must be covered to prevent contact with “Live” wires.
- The α2 Series Controller and AL2-2TC-ADP must be installed in a distribution box or a control cabinet. The distribution box should be equipped with a cover for the AL2-2TC-ADP module to avoid any possible foreign objects from falling inside
- Leave a minimum of 10mm (0.40") of space for ventilation between the top and bottom edges of the AL2-2TC-ADP and the enclosure walls.
- The maximum distance between the α2 Series Controller and the AL2-2TC-ADP should be 3m (9'10") or less.
- The power cable should be less than 10m in length.
- A sensor with insulation rated for 500V or more should be used when the sensor is placed near a conductive material.

Figure 13.3: Installation



Units can be snap mounted to 35mm DIN rail (DIN EN 50022). To release pull the spring loaded clips away from the rail and slide the unit off and up.

- 1) To Attach
Align the upper side of the AL2-2TC-ADP DIN rail mounting groove with the DIN rail (1) and push it onto the rail (2).
- 2) To Release
Pull the DIN rail hook (1) and remove the AL2-2TC-ADP.

13.4.2 Wiring

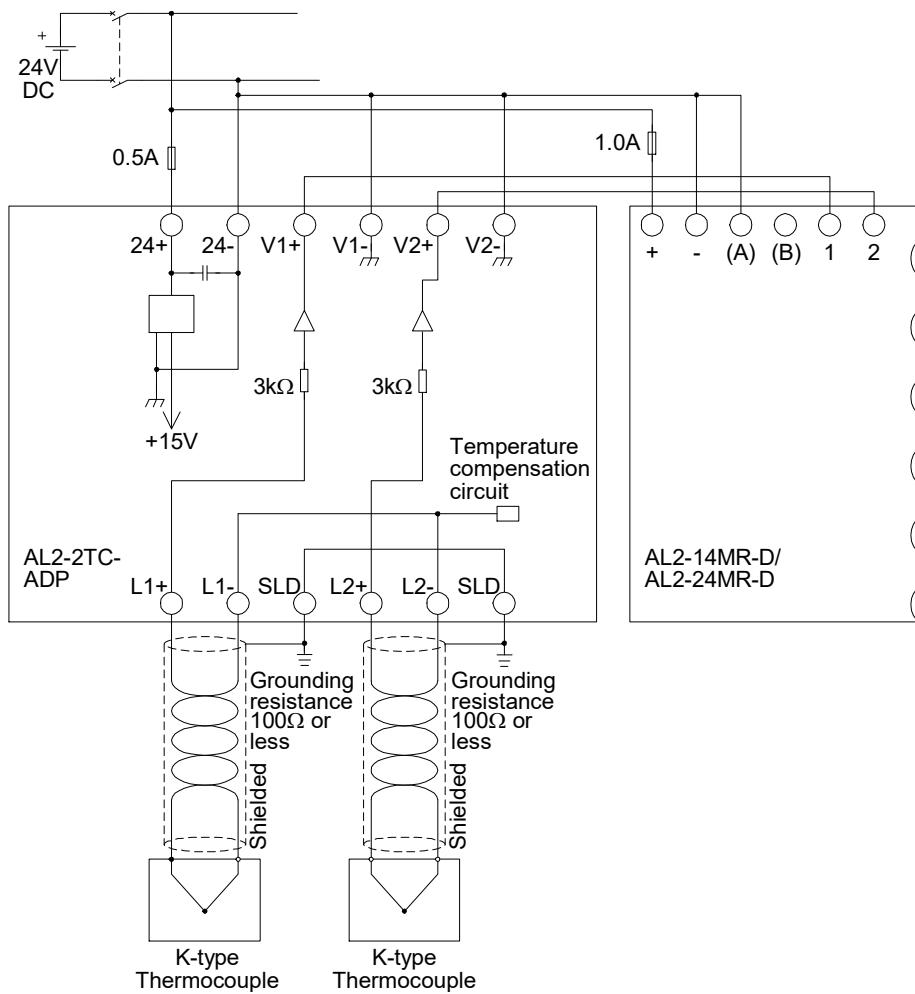


Caution

- Please use an isolated Power supply and turn off the Power before any wiring operation is performed.
- Input and Output cables should not be run through the same multi core cable or share the same wire.
- Input cable (from sensor to AL2-2TC-ADP) must be less than 10m (32'81") and the output cable length must be less than 3m (9'10").
- The wire should be used as a single cable or the multi core wires (can be used with a crimp terminal) should be carefully twisted together. Do not connect a soldered wire end to the AL2-2TC-ADP.
- To avoid damaging the wire, tighten to a torque of 0.5 - 0.6 N·m.
- The AL2-2TC-ADP should be adjusted for offset and gain purposes, therefore, turn off the Power before performing the adjustment wiring.

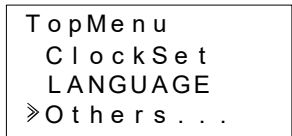
ENG

Figure 13.4:

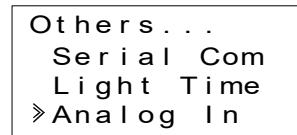


13.4.3 Choosing a Temperature Scale

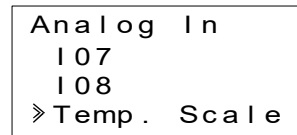
1) Turn on the power to the α2 controller and select “Others...” from the TopMenu.



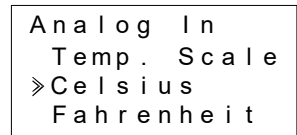
2) Select “Analog In” from the Others... menu.



3) Select “Temp. Scale” from the Analog In menu.



4) Choose “Celsius” or “Fahrenheit.” with the OK button.



Only one system of units can be selected per controller.



The values under the Calibrate menu will remain in Celsius, regardless of the system of units that is selected for the controller, as they are the labels for the jumper pins on the Hardware.

13.4.4 Offset Adjustment



Note

If Gain adjustment is complete, then step 3 - 7 are not needed.

- 1) To begin the offset calibration for channel 1, turn off the power to the α2 controller and the AL2-2TC-ADP and remove the temperature sensor. The pins L1-, L1+ and SLD should be left unconnected.
- 2) Remove the top cover from the jumper area and move the jumper to the pins labeled -50°C as in “Hardware Setup” below.



Caution

The jumper should be installed correctly, otherwise, on occasion electrical contact may not occur.

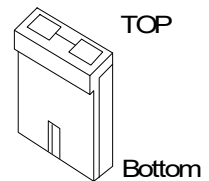
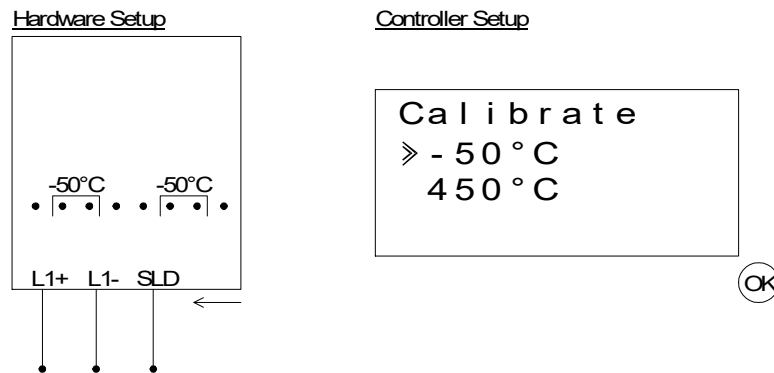
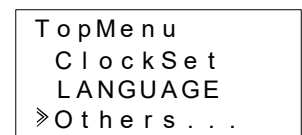


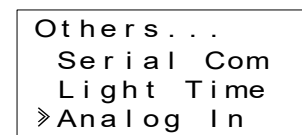
Figure 13.5: AL2-2TC-ADP Offset Adjustment



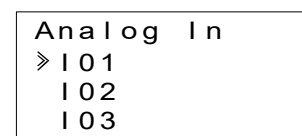
- 3) Turn the power on and select “Others...” from the TopMenu while in Stop Mode.



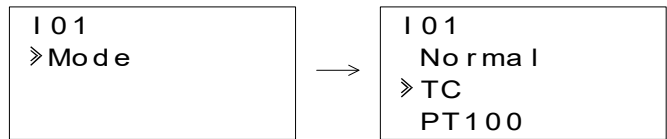
- 4) Select “Analog In” from the “Others...” menu.



- 5) Select the Input that is connected to the AL2-2TC-ADP module.



- 6) Configure the input for temperature sensing with the AL2-2TC-ADP module by selecting “Mode” and choosing “TC” from the following screen

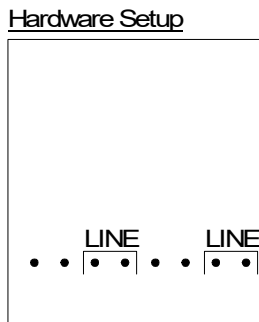


- 7) After setting the mode to “TC”, select “Calibrate” from the Analog input settings menu.



- 8) Select “-50°C” from the Calibrate menu as in “Controller Setup” in the figure 13.5 and press OK. There should be a confirmation message that reads “OK.” If not, refer to the Applicable Error Checks section below. This completes the offset calibration procedure. To calibrate the offset for channel 2, repeat the steps above replacing L1-, L1+ and SLD with L2-, L2+ and SLD respectively. When the calibration is finished, move the jumper to the “LINE” pins.

Figure 13.6: Jumper position after calibration



It is usually necessary to perform the Gain Adjustment when performing the Offset Adjustment. See section 13.4.5 for more details.

13.4.5 Gain Adjustment

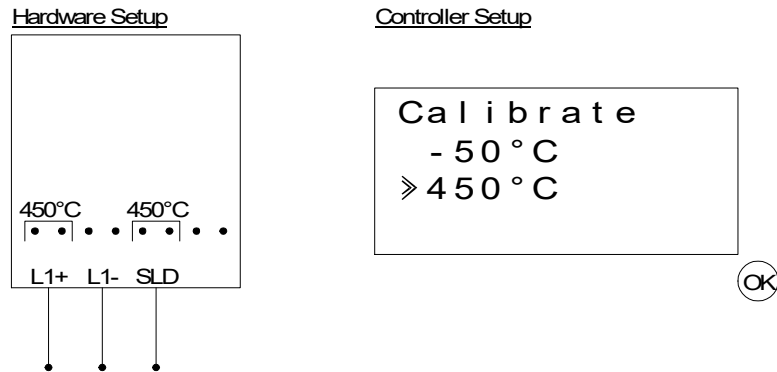
Note

If Offset adjustment is complete, then step 3 - 4 are not needed.

- 1) To begin the gain calibration for channel 1, turn off the power to the α2 controller and the AL2-2TC-ADP and remove the temperature sensor. The pins L1-, L1+ and SLD should be left unconnected.

- Remove the top cover from the jumper area and move the jumper to the pins labeled 450°C as in “Hardware Setup” below.

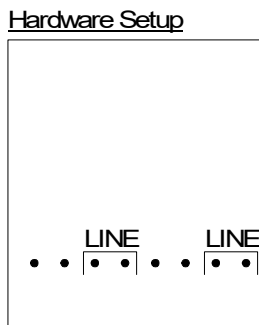
Figure 13.7: AL2-2TC-ADP Gain Adjustment



ENG

- Turn the power on and select “Others...” from the TopMenu while in Stop Mode.
- After setting the mode to “TC” (See the Offset Adjustment description above.), select “Calibrate” from the Analog input settings menu.
- Select “450°C” from the Calibrate menu as in “Controller Setup” in the figure above. There should be a confirmation message that reads “OK.” If not, refer to the Applicable Error Checks section below. This completes the gain calibration procedure. To calibrate the gain for channel 2, repeat the steps above replacing L1-, L1+ and SLD with L2-, L2+ and SLD respectively. When the calibration is finished, move the jumper to the “LINE” pins.

Figure 13.8: Jumper position after calibration



It is usually necessary to perform the Offset Adjustment when performing the Gain Adjustment. See section 13.4.4 for more details.

13.4.6 Fine Offset Adjust



The fine adjust should only be performed after both Gain and Offset Adjusts have been performed.

- 1) From the TopMenu, select “Others...”

```
TopMenu
ClockSet
LANGUAGE
»Others...
```

- 2) From the Others... menu, select “Analog In”

```
Others...
Serial Com
Light Time
»Analog In
```

- 3) From the Analog In menu select an input that is configured for TC input.

```
Analog In
I 01
I 02: PT100
»I 03: TC
```

- 4) Select “Offset fine” from the Analog Input settings menu.

```
I 03
Mode
Calibrate
»Offset fine
```

- 5) Using the + and - buttons, enter a value from -31°C to 31°C (-55.8°F to 55.8°F).
Press the OK button when finished.

```
I 03
Offset fine
0 °C
```

13.4.7 Applicable Error Checks

In the event that the input voltage is greater than 11 V or equal to 0V the following system flags will be set.

Table 13.8:

		AL2-10MR-D	AL2-14MR-D AL2-24MR-D
M17	0: Normal 1: Defect at I01	✓	✓
M18	0: Normal 1: Defect at I02	✓	✓
M19	0: Normal 1: Defect at I03	✓	✓
M20	0: Normal 1: Defect at I04	✓	✓
M21	0: Normal 1: Defect at I05	✓	✓
M22	0: Normal 1: Defect at I06	✓	✓
M23	0: Normal 1: Defect at I07	—	✓
M24	0: Normal 1: Defect at I08	—	✓

ENG

- If the flags in the table above are activated, check that:

- a sensor is connected
- there is not a break in the sensor connection
- the temperature is not greater than the specified limit
- power is being supplied to the AL2-2TC-ADP.

- If the “Error” message appears instead of “OK” while offset/gain calibration, check that:

- The power is being supplied to the AL2-2TC-ADP.
- The AL2-2TC-ADP is connected to α2 correctly.
- The input, which connects the AL2-2TC-ADP is selected for calibration.
- The AL2-2TC-ADP inputs are left unconnected.
- The jumpers on AL2-2TC-ADP is either placed on the “-50°C” position or the “450°C” position.
- The calibration menu entry related to the jumper position is selected (“-50°C” or “450°C”).

14. Key, System Bit and Function Block Lists

14.1 Key Lists

The following table is the keys to use operation in the Menu and user program. Further information can be found in α2 Programming Manual.

Table 14.1: Operation Key Lists

Key Name	Key Number	Description
OK	K01	Acceptance of data entry, menu options, program choices
ESC	K02	Cancel current operation, move to higher screen or menu
+	K03	Connect function blocks, move to higher numbered blocks, increment values
-	K04	Disconnect function blocks, move to lower numbered blocks, decrement values
▲	K05	Scroll to higher number numbered items (keys, FB, Inputs, Outputs, etc.)
▼	K06	Scroll to lower numbered items (keys, FB, Inputs, Outputs, etc.)
▶	K07	Move to the right on the LCD display, FB program or Jump command
◀	K08	Move to the left on the LCD display, FB program or Jump command

14.2 System Bit Lists

There is the system bit controlled by system and the control bit to control from user program.

14.2.1 System Bit Lists

Table 14.2: System Bit Lists

System Bit	Description	AL2-10MR-*	AL2-14MR- AL2-24MR-*
M01	Always "ON"	✓	✓
M02	Always "OFF"	✓	✓
M03	Alternate - 0.5 seconds "ON", 0.5 seconds "OFF"	✓	✓
M04	"ON" when Real Time Clock data error occurs	✓	✓
M05	"ON" when Summer time schedule is activated	✓	✓
M06	"ON" when communication Error of AS-interface occurs	—	✓
M07	"ON" when communication Error by AS-interface power failure occurs	—	✓
M08	ON when turn Stop mode turns to Run mode in the α2 Series. The ON signal acts as a pulse output and then turns OFF.	✓	✓
M09	OFF when turn Stop mode turns to Run mode in the α2 Series. The OFF signal acts as a pulse output and then turns ON.	✓	✓
M10	"ON" during DCF77 decoding.	✓	✓
M11	Pulses "ON" when DCF77 finishes decoding without an error.	✓	✓
M12	"ON" when CD (DCD) signal is turned ON (receiving CD signal from modem)	—	✓
M13	"ON" when it is possible to access the GSM network.	—	✓
M14	"ON" when the α2 series is accessed via GSM.	—	✓
M15	"ON" when DCF77 decoding with an error.	✓	✓
M16	"ON" when external power for the AL2-2DA board is ON.	—	✓
M17	"ON" when there is a sensor defect at I01	✓	✓
M18	"ON" when there is a sensor defect at I02	✓	✓
M19	"ON" when there is a sensor defect at I03	✓	✓
M20	"ON" when there is a sensor defect at I04	✓	✓
M21	"ON" when there is a sensor defect at I05	✓	✓
M22	"ON" when there is a sensor defect at I06	✓	✓
M23	"ON" when there is a sensor defect at I07	—	✓
M24	"ON" when there is a sensor defect at I08	—	✓

ENG

14.2.2 Control Bit Lists

Table 14.3: Control Bits

Control Bit	Description	AL2-10MR-*	AL2-14MR- AL2-24MR-*
N01	ON: Disconnected to AS-interface network OFF: Connect to AS-interface network	—	✓
N02*1	ON: The back light is "OFF" in LCD. OFF: The back light is controlled by the "Light Time" setting in Menu.	✓	✓
N03*1	ON: The back light is "ON" in LCD. OFF: The back light is controlled by the "Light Time" setting in Menu.	✓	✓
N04	ON: The user screen is controlled by the setting of "Display Manager" with AL-PCS/WIN-E. OFF: The user screen is controlled by user program.	✓	✓

*1 When both N02 and N03 are ON and hence the back light is "ON" because N03 is given the priority.

14.3 Function Block Lists

Further information for function blocks can be found in the α2 Series Programming Manual.

Table 14.4: Function Block Lists

Function Block		Memory Consumption (Byte)	Description	AL2-10MR-*	AL2-14MR- AL2-24MR-*
Name	Symbol				
AND	AND	19	Output ON when all Inputs are ON, Unused inputs considered ON	✓	✓
OR	OR	19	Output ON when at least one input ON, Unused inputs considered OFF	✓	✓
NOT	NOT	10	Inverts a signal; changes an OFF to an ON and vice versa	✓	✓
XOR	XOR	13	Exclusive OR; Output ON when only One of Two Inputs is ON	✓	✓
NAND	NAND	19	Not AND; Output OFF only when all Inputs ON, Unused inputs considered ON	✓	✓
NOR	NOR	19	Not OR; Output OFF when at least one Input is ON, Unused inputs considered OFF	✓	✓
Boolean	BL	*1	Logic equation using AND, OR, XOR, NOT	✓	✓
Set/Reset	SR	14	Latch a relay in SET or RESET position, give Set or Reset priority	✓	✓
Pulse	PL	10	Send a Pulse on the Rising, Falling, or both Edges	✓	✓
Alternate	AL	13	Output alternates turning ON or OFF with each input pulse	✓	✓
Delay	DL	19	Delay a signal on the Rising, Falling, or both Edges	✓	✓
One Shot	OS	17	Send a single pulse; Time or Input signal based, Reset pin available	✓	✓
Flicker	FL	19	Send a pulse train; ON/OFF times, repetitions, duration, or continuous operation	✓	✓
Time Switch	TS	*2	Use the RTC to turn output ON/OFF; Calendar or weekly schedule	✓	✓
Time Switch Maintenance	TSm	*2	Use the RTC to turn output ON/OFF; Calendar or weekly schedule The function block can be setup from the TopMenu "Parameter" via the front panel keys.	✓	✓
Counter	CN	16	Count upwards on pulses, can reset at a signal	✓	✓
Up/Down Counter	UD	22	Count upward or downward, Set a Preset Value for the Output to come ON	✓	✓
Compare	CP	17	Compare two values for <, >, =, <=, >=, <> (Analog, Direct Set, or FB values)	✓	✓
Offset Gain	OG	22	Manipulate Analog Values; $y = A/B * x + C$; Set High and Low Limit Values	✓	✓

ENG

Table 14.4: Function Block Lists

Function Block		Memory Consumption (Byte)	Description	AL2-10MR-*	AL2-14MR- AL2-24MR-*
Name	Symbol				
Display	DP	*3	Display User Screen (messages or data) on the LCD display	✓	✓
Zone Compare	ZC	20	Compare a value to a range of values (Analog, Direct Set, or FB values)	✓	✓
Schmitt trigger	ST	19	Turn an Input ON at the High Value and OFF at the Low Value (or vice versa)	✓	✓
Hour Meter	HM	19	Records the accumulated time a signal has been ON	✓	✓
Speed Detect	SPD	25	The signal input frequency (On/Off) is measured for a set length of time. The frequency is compared to a value range and the Output is turned ON/OFF according to the result.	✓	✓
Pulse Width Modulation	PWM	16	A continuous pulse train is output when this function block is driven. The characteristics of the pulse are defined as; Pulse duty (Direct set, Analog, FB values), cycle time.	✓	✓
Retentive Alternate	RAL	13	Output alternates turning ON or OFF with each input pulse. The last output status is kept when the power supply is cycled OFF and ON. However, last output status is lost when the α2 series is placed in the Stop mode.	✓	✓
Addition	ADD	20	$y = A + B$	✓	✓
Subtraction	SUB	20	$y = A - B$	✓	✓
Multiplication	MUL	20	$y = A \times B$	✓	✓
Division	DIV	20	$A \div B = q, r$ (quotient and remainder)	✓	✓
Calculation	CAL	*4	Equation using +, -, ×, ÷, % and the selected data.	✓	✓
Shift	SFT	19	Shift operation; When "SFT" signal is input, last "I" signal status is output. When using 8 bit shift operation, "Shift" function block should be continued 8 times.	✓	✓
GSM SMS	SMS	*5	The contents of an LCD screen is sent as an SMS message.	—	✓
Short Message Receiving	SMR	*7	Output change by Short Message	—	✓

Table 14.4: Function Block Lists

Function Block		Memory Consumption (Byte)	Description	AL2-10MR-*	AL2-14MR- AL2-24MR-*
Name	Symbol				
Short Message Receiving Maintenance	SMRm	*7	Output change by Short Message The function block can be setup from the TopMenu "Parameter" via the front panel keys.	—	✓
Call Detect	CD	30	Calling Line Identification Presentation (CLIP) Phone number detection	—	✓
Call Detect Maintenance	CDm	30	Calling Line Identification Presentation (CLIP) Phone number detection The function block can be setup from the TopMenu "Parameter" via the front panel keys.	—	✓
Random One Shot	ROS	19	The random length single pulse is output.	✓	✓
Delayed One Shot	DOS	20	After a delay time, send a single pulse	✓	✓
Delayed Alternate	DAL	16	After a delay time, output alternates turning ON or OFF with each input pulse	✓	✓
Retentive Set/Reset	RSR	14	Latch a relay in SET or RESET position, give Set or Reset priority. The last output status is kept when the power supply is cycled OFF and ON. However, last output status is lost when the α2 series is placed in the Stop mode.	✓	✓
Proportional Integral Gain	PID	52	The PID Function Block is the α2 implementation of PID, a control method used to obtain stable control over a system variable. It is equipped with an Auto-tuning function, which automatically adjusts the Function Block parameters for the specific application.	✓	✓
Analog Output	AO	17	The Analog Output function takes a digital value input and delivers a corresponding analog voltage or current to a selected channel on the AL2-2DA module.	✓	✓
Control Display	CDP	*6	Control which Display screen appears on the LCD. This function block can only be set in the AL-PCS/WIN-E software. When control bit N04 is ON, it possible to control the displayed User Screen.	✓	✓

ENG

Table 14.4: Function Block Lists

Function Block		Memory Consumption (Byte)	Description	AL2-10MR-*	AL2-14MR- AL2-24MR-*
Name	Symbol				
Connect	_B	10	This CONNECT function block is an internal FB used to show the memory used by the system bits, the bits for AS-interface, and the operation keys. No function block appears on screen or shows as being used in the "Memory Configuration Usage" dialog box, the purpose is only to calculate the memory that is used by the bits listed above.	✓	✓
System Outputs	Out	10	Control external device through relays and transistors.	✓	✓

*1 Number of bytes used = 19 + 1 × (Characters in equation)

*2 Number of bytes used = 8 + 4 × (Number of time switches)

*3 Number of bytes used is decided by the displayed item.

Table 14.5: Displayed Item and number of bytes used

Displayed Item		Number of bytes, α2 Series
Characters		16 + 1 × (Each character displayed)
Analog, FB value	Value	17
	Graph	23
Time, Date		14
Time Switch		17

*4 Number of bytes used = 30 + 1 × (Characters in equation)

*5 Number of bytes used = 12 + 1 × (Characters in E-Mail address)

*6 Number of bytes used = 32 + 3 × (Number of screen)

*7 Number of bytes used = 37 + (Number of characters of setup commands)

15. Diagnostics



Caution

- Do not touch the terminal while energized. This might cause an equipment malfunction or an electric shock.



Caution

- Supply correctly rated power.
When a power supply different from the ratings is supplied, this product might be damaged or cause a fire.
- Connect “L (Live)” of the power supply to “L terminal” in the main unit, and connect “N (Neutral)” to “N terminal” in the main unit correctly when wiring the AC power supply. Faulty wiring will cause an electrical shock, damage to the controller, or a fire.
- Connect the “L (Live)” wire of the power supply to the input terminal of the AC unit.
- Connect the “+” of the power supply connect to the “+ terminal” in the main unit, and connect the “-” of the power supply to the “- terminal” when wiring the DC unit. Faulty wiring will cause an electrical shock, damage to the controller, or a fire.



Notes on use

- The α2 Series controller must be used with either the memory cassette, communication cable, or connector cover installed. Otherwise, the exposed socket can cause damage to the controller or an electric shock to the operator.
- Use the expansion module or the connector cover while power is supplied to the α2 series controller.
Improper equipment installation can cause damage to the controller or an electric shock.

ENG

15.1 Input Status Error

Place the α2 controller in the Stop mode. Cycle the power to the equipment connected to the input terminals and check if the input status is displayed correctly. If it is not correctly displayed, check the points below.

Further information about the status display can be found in the α2 Programming Manual.



Notes on use

Do not connect a wire with a soldered end to an α2 series terminal due to poor contact and the possibility of the wire shearing.

- 1) Check the wiring for the power supply and the inputs.
- 2) Check if the equipment used for the inputs corresponds to the specification in section 2.3 in this manual.

15.2 Output Status Error

Place the α2 controller in the Stop mode. Force the outputs ON/OFF and check the operation of the outputs. Check that the program is written to perform per the desired results.

Further information can be found about the force ON/OFF operation in the α2 Programming Manual.



Notes on use

Perform the forced ON/OFF operations only after thoroughly checking that it is safe to do so. Damage to the machine or controller or a safety issue could arise if the forced ON/OFF is performed inappropriately.

If proper precautions are not taken, damage to the equipment or machine failure may occur.

- 1) Check the wiring for the power supply and the outputs.
- 2) Check if the equipment used for the outputs corresponds to the specification in section 4.4 in this manual.

15.3 TOP MENU is not Displayed

The menu key should be operated to access the Top Menu. Push the keys “OK” and “ESC” at the same time. If the menu call key is not set, use either the programming software to the Stop mode or do the forced stop operation.

The Top Menu cannot be accessed from the keys. However, by cycling the power supply and pressing the “OK + ESC” keys simultaneously during the power up, the Top Menu will appear.

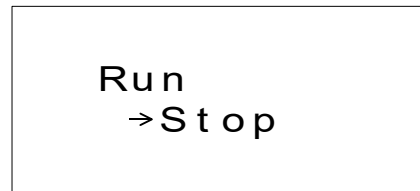


Caution

Perform the forced stop operation only after thoroughly checking that it is safe to do so. Damage to the machine or controller or a safety issue could arise if the forced ON/OFF is performed inappropriately. If proper precautions are not taken, damage to the equipment or machine failure may occur.

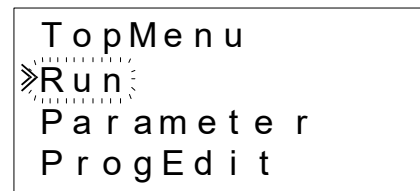
Forced Stop Operation

- 1) Turn the α2 series power supply off.
- 2) Turn the power ON again while pushing the “OK” and “ESC” keys simultaneously.
The screen at right is displayed.



The option to place the controller in Stop mode will be available for approximately five seconds. Press the “OK” key to enter the Stop Mode. If no key is pressed, the controller will default back into the Run mode.

- 3) Push “ESC” key.
The “Top Menu” shown at right is displayed.



15.4 Cannot enter Run Mode.

When the α2 series will not switch to Run mode, check the following.

- 1) The message “Input Error” or “Output Error” is displayed on the screen.
The program included in the memory cassette has more points of input and/or output than is allowed in the controller body.
 - a) When making the program with the programming software.
The content of the program and the model are checked with the programming software. Write the program to the α2 series controller and do not use a memory cassette.
 - b) When making the program with the α2 series front panel keys.
Remove the memory cassette, and make the program again.
 - c) Install the memory cassette in the α2 series of 24 point type.
 - d) Write the program in an α2 series of the same type in which the program will be used.
- 2) The program data has an error.
When the program cannot be displayed with “ProgEdit” in “TopMenu”, it is possible that the program data was damaged. Switch from “TopMenu” to the Run mode after deleting the program.
 - a) The program again and switch to Run mode.
 - b) Consult a Mitsubishi Distributor when unable to switch to the RUN mode.

15.5 Incorrect Clock Data

Confirm the following item.

- 1) The time data is lost.
When approximately 20 days or more (25°C.) have passed since power was supplied to the α2 series, the time data is lost. In this case, the time data should be set.
Further information about setting the time data can be found in the α2 Programming Manual.
- 2) There are keep advancement by the time data and keep a delay.
The accuracy of the time data is ±5 seconds a day. Use the time correction function when the time data error increases.
Further information about setting the time correction function can be found in the α2 Programming Manual.

15.6 The “?” appears on the Display

The “?” mark is displayed when an unacceptable key is pressed according to the screen data. Confirm the acceptable options and press the appropriate key.



15.7 Cannot Use an Operation Key

Check the movement of the operation keys according to the following procedures when the α2 series will not accept a key operation. If the steps outlined in instructions (1) - (5) below can be performed, the keys are operating properly. Please check if the key(s) are used in the program.

- 1) Place the controller in the Stop mode. Consult a Mitsubishi Distributor when the Stop mode cannot be entered.



Caution

Perform the forced stop operation only after thoroughly checking that it is safe to do so. Damage to the machine or controller or a safety issue could arise if the forced ON/OFF is performed inappropriately. If proper precautions are not taken, damage to the equipment or machine failure may occur.

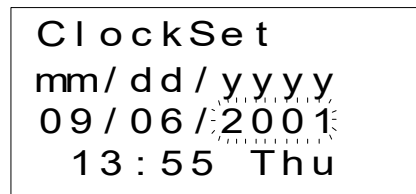
ENG

Forced Stop Operation

- a) Turn the α2 series power supply off.
- b) Turn the power ON again while pushing the “OK” and “ESC” keys at same time.
The screen at right is displayed for 5 seconds.
The option to place the controller in Stop mode will be available for approximately five seconds. Press the “OK” key to enter the Stop Mode. If no key is pressed, the controller will default back into the Run mode.
- c) Push the “ESC” key.
The “Top Menu” shown at right is displayed.

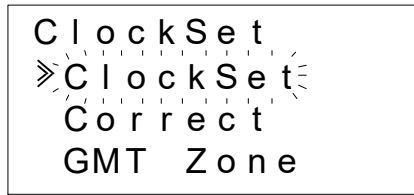


- 2) Scroll through the Top Menu with “▲” key or “▼” key.
Consult a Mitsubishi distributor when you cannot scroll.
- 3) Move the cursor to “ClockSet” with “▲” key or “▼” key, and push the “OK” key twice.
The “ClockSet” screen at right is displayed.
Consult a Mitsubishi distributor when it is not displayed.



- 4) Try to change the month/year data using the “◀” key, “▶” key, “+” key and “-” key.
Consult a Mitsubishi distributor when editing is not possible.

- 5) Push the “ESC” key.
The screen at right is displayed and the operation of (4) is invalidated.
Consult a Mitsubishi Distributor when the correct screen is not displayed.



15.8 Incorrect LCD display

Check the following items.

- 1) The character is displayed in reverse and the entire screen is black.
Consult a Mitsubishi Distributor when the above error occurs. The α2 controller display has been damaged.
- 2) An Unexpected Display Configuration is Shown
When the display does not appear as expected, please check the following points in the program.
 - a) Adjust the position where each display function begins. Two separate displays might have an overlapping display area that causes the undesired result.
 - b) The character fails to display
 - Check if the input pin to the Display Function Block is On.
 - Check whether there is a conflict with another display.

15.9 Memory Cassette Is Not Working Correctly

Check the following items when the memory cassette is not recognized or the cassette transfer functions are not functional.



Notes on use

- Use the memory cassette, the telecommunication cable, or the connector cover while power is supplied to the α2 series controller.
Improper equipment installation can cause damage to the controller or an electric shock.
- 1) The memory cassette must be installed correctly, refer to section 6.1 for the proper installation procedure.
- 2) The message “ProtectSW Error” is displayed.
The data protection (ProtectSW) is set.
Refer to the α2 Programing Manual for the procedure to unlock this setting.
- 3) The message “Password Error” is displayed.
The password is set. Try again after disabling the password.
Refer to the α2 Programing Manual for the procedure to dibble the password.

The “ProgClear” option can delete the password, program, and all Top Menu settings. The controller will return to the factory default settings.

Refer to α2 Programing Manual for the procedure to use the “ProgClear” operation.

15.10 Cannot Communicate with the AS-interface Master Module

Check the following items.



Notes on use

- Use the expansion board or the connector cover while power is supplied to the α2 series controller.
Improper equipment installation can cause damage to the controller or an electric shock.

- 1) Check whether AS-interface power supply is adequate.
- 2) Check that the control bit N1 is Off. Use one of the two methods below to change its status if required.
 - a) When not using it in the program
Force the status to Off, refer to α2 Programming Manual for the Force On/Off procedure
 - b) When using it by the program
Change the program or manipulate the inputs so that the control bit N1 turns Off.
- 3) Check that the slave address is correct.
Set the slave address from the AS-interface master module.
Refer to the manual of section 9.4.1 and the AS-interface master module for the address setting method.
 - a) Another slave's address and the AL2-ASI-BD's address overlap.
Set the address so that there is no conflict.
 - b) Slave address is 0.
Set a valid slave address from the AS-interface master module.
- 4) AL2-ASI-BD is not an active slave on the master module side.
Check the setting of the master module.
Refer to the manual of the AS-interface master module for the confirmation method.

15.11 Cannot Communicate with AL-PCS/WIN-E.

Check the following items.



Notes on use

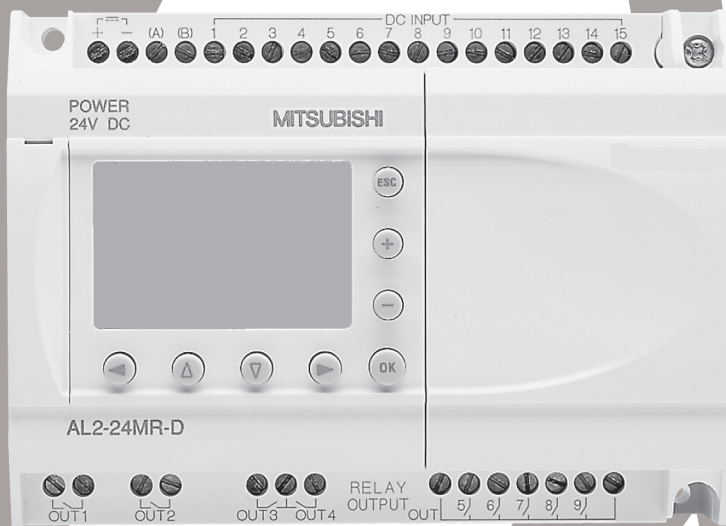
Use the memory cassette and the communication cable or the connector cover while installed without fail.

It causes the electric shock and the breakdown.

- 1) Check cable (AL-232CAB) connection.
Refer to section 7.2 for the connection method.
- 2) Check the power supply supplied to the α2 series.
Refer to section 4 for the wiring for the power supply.
Moreover, refer to section 2.2 for the specification of the power supply.
- 3) Check whether the COM port of the personal computer which has connected a setup and cable (AL-232CAB) of the “communication port” set up by programming software is in agreement. Match it when not matching. Match it.
- 4) When it is remotely maintained with a modem
 - a) Check whether a setup of the modem by the side of α2 series is correct.
Refer to α2 programming manual and section 7.3 for the setting of the modem connected to the α2 series side.
 - b) Check the connection of cable made by customer.
For the connection of cable, refer to section 7.3.2.
 - c) Check the setting of the modem on the programming software side.
Check whether the disk for a setup of modem attachment is installed correctly.

SIMPLE APPLICATION CONTROLLER

GER



**α2-Steuerung
HARDWARE-HANDBUCH**

Vorwort

- Dieses Handbuch enthält Texte, Abbildungen und Erläuterungen, die den Leser bei der korrekten Programmierung und beim Betrieb einer α oder α 2-Steuerung unterstützen.
- Vor der Installation oder dem Betrieb einer α / α 2-Steuerung sollte dieses Handbuch gelesen und verstanden worden sein.
- Falls bei der Installation einer α - oder α 2-Steuerung Fragen auftreten, wenden Sie sich bitte an eine anerkannt ausgebildete Elektrofachkraft, die mit den geltenden elektrotechnischen Bestimmungen vertraut ist.
- Bei Fragen zur Programmierung oder zum Betrieb einer α / α 2-Steuerung wenden Sie sich bitte an Ihren MITSUBISHI Vertriebspartner.
- Wenn das Gerät in einer nicht vom Hersteller angegebenen Weise verwendet wird, kann der Schutz des Geräts beeinträchtigt sein.
- Unter keinen Umständen übernimmt Mitsubishi Electric die Haftung oder die Verantwortung für Schäden, die sich aus der Installation oder dem Betrieb dieser Geräte ergeben.
- Alle Beispiele und Abbildungen in diesem Handbuch sollen nur zum besseren Verständnis des Textes beitragen. Die korrekte Funktion kann nicht garantiert werden. Mitsubishi Electric übernimmt keine Verantwortung, wenn diese Beispiele zum Betrieb der Geräte verwendet werden.
- Dieses Produkt wurde als allgemein verwendbares Teil für allgemeine Industriezwecke hergestellt und ist nicht als Bestandteil eines Geräts oder Systems in Bezug auf menschliches Leben vorgesehen.
- Für Anwendungen, bei denen eine hohe Verfügbarkeit der Steuerungen erforderlich ist oder bei denen lebensbedrohende Situationen auftreten können, setzen Sie sich bitte mit Ihren MITSUBISHI Vertriebspartner in Verbindung.
- Diese Produkt muss als Industriemüll entsorgt werden.
- Der Inhalt dieses Handbuchs kann jederzeit ohne besondere Hinweise geändert werden.

Dieses Handbuch berührt keine gewerblichen Schutzrechte oder irgendwelche anderen Rechte und keine Patentrechte. Mitsubishi Electric kann nicht für die Verletzung von Schutzrechten verantwortlich gemacht werden, die sich aus der Anwendung des Inhalts dieses Handbuchs ergeben.

α2-Steuerung

Hardware-Handbuch

GER

Nummer:	JY992D97301
Revision:	P
Datum:	8/2023

Sicherheitsrichtlinien für den Anwender und Schutzmaßnahmen für die α2-Steuerung

Dieses Handbuch beinhaltet Informationen für den Gebrauch der α2 Steuerung. Das Handbuch wurde für geschultes und kompetentes Personal erstellt. Hierbei wird für die Qualifizierung folgende Definition zugrunde gelegt:

- a) Jeder Techniker, der Anlagen der Automatisierungstechnik unter Einbeziehung des Produktes plant, projiziert und errichtet, sollte diesbezüglich ausreichende Kenntnisse besitzen. Hierbei sollte die Schulung und Qualifizierung auch die Kenntnis der lokalen und nationalen Bestimmungen umfassen. Der Techniker sollte vollständige Kenntnisse über alle Sicherheitsaspekte im Bereich der Automatisierungstechnik besitzen.
- b) Jeder Nutzer oder Service-Techniker muss zur korrekten sicheren Ausführung der Arbeitsvorgänge Kenntnisse im Bereich der lokalen und nationalen Bestimmungen aufweisen. Der Techniker sollte auch in der Bedienung und Wartung der Geräteeinheiten geschult sein. Hiermit ist die gesamte Produktfamilie mit allen zugehörigen Dokumentationen gemeint. Alle Wartungseinheiten sollten stets in Übereinstimmung mit den gängigen Sicherheitsaspekten erfolgen.
- c) Jeder, der das Produkt bedient, sollte in der sicheren Bedienung des Gerätes geschult sein. Die gängigen Sicherheitsaspekte sollten immer mit einbezogen werden. Der Bediener sollte sich darüber hinaus mit den Dokumentationen der übrigen Anlagenausrüstung vertraut machen.

Hinweis: Mit dem Begriff „übrige Anlagenausrüstung“ sind alle weiteren Geräte der Automatisierungsanlage gemeint, die in Verbindung mit dem Produkt und den zugehörigen Handbuchinformationen stehen.
Führen Sie zur Reinigung ein trockenes Wischen ohne Verwendung von Chemikalien durch.

Hinweise zu der im Handbuch verwendeten Symbolik

In diesem Handbuch werden zur Hervorhebung von bestimmten Informationen verschiedene Symbole verwendet. Hiermit erhält das Bedienpersonal alle notwendigen Hinweise zu den Sicherheits- und Schutzmaßnahmen. Bei jedem Auftreten der Symbole muss der zugehörige Hinweis gelesen werden und die gegebene Information verstanden sein. Nachfolgend sind alle Symbole kurz erläutert.

Hardware-Warnhinweise



- 1) Bezeichnet eine unmittelbar drohende Gefahr, die zu einem Personen- oder Sachschaden führen kann.



- 2) Bezeichnet eine möglicherweise auftretende Gefahr, die zu einem Personen- oder Sachschaden führen kann.



- 3) Bezeichnet einen Punkt mit Hinweisen oder zusätzlichen Erläuterungen.

Software-Warnhinweise



- 4) Bezeichnet einen ausdrücklichen Warnhinweis, der bei der Programmierung auf jeden Fall beachtet werden muss.



- 5) Bezeichnet einen speziellen Hinweis, der in Verbindung mit der Bedienung vom Anwender beachtet werden sollte.



- 6) Bezeichnet einen Punkt mit weiteren Hinweisen oder zusätzlichen Erläuterungen.

- MITSUBISHI ELECTRIC übernimmt unter keinen Umständen die Haftung oder Verantwortung für einen Schaden, der aus einer unsachgemäßen Installation oder Betrieb der Geräte oder des Zubehörs entstanden ist.
- Alle Beispiele und Abbildungen in diesem Handbuch dienen nur als Hilfe zum Verstehen des Textes. Für die Richtigkeit der dargestellten Bedienvorgänge kann keine Gewährleistung übernommen werden. MITSUBISHI ELECTRIC übernimmt keine Verantwortung für eine Produktanwendung, die sich auf die dargestellten Beispiele bezieht.
- Bitte wenden Sie sich bei Anwendungen, bei denen lebensgefährliche Zustände auftreten können oder die eine hohe Verfügbarkeit erfordern, an Ihre Mitsubishi Electric Niederlassung.

Liste weiterer Handbücher

	Bezeichnung	Handbuch Nr..	Beschreibung
⊙	α2 Hardware-Handbuch (das vorliegende)	JY992D97301	Dieses Handbuch beschreibt die Verkabelung, Installation und die technischen Eigenschaften der α2-Steuerung.
⊙	α2 Programmierhandbuch <Nur in Englisch>	JY992D97101	Dieses Handbuch beschreibt die Programmierung der α2-Steuerung.
○	α Software-Handbuch <Nur in Englisch>	JY992D74001	Dieses Handbuch beschreibt die Installation und Nutzung der AL-PCS/WIN-E-Programmiersoftware.
○	α2-Serie Kommunikations- handbuch <Nur in Englisch>	JY992D97701	Dieses Handbuch beschreibt den Datenaustausch der α2-Steuerung mit anderen Geräten.
□	Installationsanleitung zur α2-Steuerung	JY992D97501	Dieses Handbuch beschreibt die Hardware der α2-Steuerung.
□	AL2-4EX, AL2-4EX-A2, AL2-4EYR, AL2-4EYT Installationsanleitung	JY992D97401	Dieses Handbuch beschreibt die Hardware und die Installation der Erweiterungsmodule AL2-4EX, AL2-4EX-A2, AL2-4EYR und AL2-4EYT.
□	AL2-EEPROM-2 Geräte-Handbuch	JY992D96801	Dieses Handbuch beschreibt die Hardware und die Installation der AL2-EEPROM-2.
□	AL2-2DA Installationsanleitung	JY997D09301	Dieses Handbuch beschreibt Hardware und Installation des AL2-2DA.
□	AL2-2PT-ADP Installationsanleitung	JY997D09401	Dieses Handbuch beschreibt Hardware und Installation des AL2-2PT-ADP.
□	AL2-2TC-ADP Installation Manual	JY997D09501	Dieses Handbuch beschreibt Hardware und Installation des AL2-2TC-ADP.
□	AL-232CAB Geräte-Handbuch	JY992D76001	Dieses Handbuch beschreibt die Hardware und die Installation des AL-232CAB.
□	AL2-GSM-CAB Geräte-Handbuch	JY992D97201	Dieses Handbuch beschreibt die Hardware und die Installation des AL2-GSM-CAB.
□	AL-ASI-BD, AL2-ASI-BD Geräte-Handbuch	JY992D81401	Dieses Handbuch beschreibt Hardware und Installation des AL-ASI-BD und AL2-ASI-BD.

- ⊙ Diese Handbücher sind vor der Nutzung der Steuerung gründlich zu studieren.
- Für zusätzliche Informationen nutzen Sie diese Handbücher.
- Falls notwendig, nutzen Sie diese Handbücher für weitere Informationen, obwohl sie ebenfalls dem α2 Gerätehandbuch entnommen werden können.

Abkürzungen

In diesem Handbuch werden die folgenden Abkürzungen verwendet:

- Die AL-PCS/WIN-E-Programmier-Software wird entweder mit VLS-Software oder „Programmier-Software“ bezeichnet.
- Für die α2-Steuerung werden die Begriffe „α2-Serie“, „α2-Steuerung“ oder „Grundgerät“ verwendet.
- Funktionsblöcke werden mit „FB“ abgekürzt.
- „FBD“ ist die Abkürzung für Funktionsblockdiagramm
- Ein- und Ausgänge werden mit „E/A“ abgekürzt.
- Ein Personal Computer wird als „PC“ bezeichnet.
- „Windows“ ist die generelle Bezeichnung für die Betriebssysteme Microsoft Windows[®], Windows[®] 95, Windows[®] 98, Windows[®] Me, WindowsNT[®] Workstation 4.0, Windows[®] 2000, Windows[®] XP und Windows Vista[®].

GER

Gebrauch von eingetragenen Warenzeichen und Warenzeichen

- Microsoft Windows[®], Windows[®] 95, Windows[®] 98, Windows[®] Me, WindowsNT[®] Workstation 4.0, Windows[®] 2000, Windows[®] XP und Windows Vista[®] sind eingetragene Warenzeichen oder Warenzeichen der Microsoft Corporation in den Vereinigten Staaten von Amerika und/oder anderen Ländern.
- Die Firmen- und Produktnamen, die in diesem Handbuch genannt werden, sind eingetragene Warenzeichen oder Warenzeichen der jeweiligen Firmen.

Inhaltsverzeichnis

Sicherheitsrichtlinien	GER-iii
1. Einleitung.....	GER-1
1.1 Besonderheiten der α2-Steuerung:.....	GER-2
1.2 Verfügbare Modelle	GER-4
1.3 Abmessungen und Bedienungselemente	GER-5
1.4 Systemkonfiguration	GER-7
1.5 Liste der Versionen.....	GER-8
1.6 Programmier-Software	GER-8
2. Technische Daten	GER-9
2.1 Spannungsversorgung	GER-9
2.2 Eingänge	GER-10
2.3 Ausgänge	GER-12
2.4 Umgebungsbedingungen	GER-13
3. Installation	GER-15
3.1 Installationshinweise.....	GER-15
3.2 Montage auf einer DIN Befestigungsschiene	GER-16
3.2.1 Montage	GER-16
3.2.2 Demontage.....	GER-16
3.3 Direktmontage	GER-17
3.4 Installation der Erweiterungsmodule(AL2-14MR-*,AL2-24MR-*).....	GER-18
4. Verdrahtung.....	GER-19
4.1 Hinweise zur Installationsverdrahtung	GER-19
4.2 Kabelgröße und Spezifikationen.....	GER-20
4.3 Spannungsversorgung	GER-21
4.4 AC-Spannungsversorgung und Eingangsverdrahtung	GER-22
4.4.1 AC-Spannungsversorgung und Eingangsverdrahtung.....	GER-22
4.4.2 AL2-4EX-A2 Eingangsverdrahtung	GER-22
4.5 DC-Spannungsversorgung und Eingangsverdrahtung.....	GER-23
4.5.1 DC-Spannungsversorgung und Source Eingangsverdrahtung (gemeinsamer “+” Pol).....	GER-23
4.5.2 AL2-4EX Source Eingangsverdrahtung (gemeinsamer “+” Pol).....	GER-23
4.5.3 DC-Spannungsversorgung und Sink Eingangsverdrahtung (gemeinsame Masse).....	GER-24
4.5.4 AL2-4EX Sink Eingangsverdrahtung (gemeinsame Masse)	GER-24
4.6 Relais-/Transistor-Ausgangsverdrahtung	GER-25
4.6.1 Relaisausgangsverdrahtung Hauptmodul (AC und/oder DC).....	GER-25
4.6.2 Relaisausgangsverdrahtung AL2-4EYR (AC und/oder DC).....	GER-26
4.6.3 AL2-4EYT Transistor-Ausgangsverdrahtung (nur Source <gemeinsamer “+” Pol>).....	GER-27
5. Klemmenbelegung	GER-28

GER

6. AL2-EEPROM-2	GER-31
6.1 Installation	GER-32
7. AL-232CAB	GER-33
7.1 Einleitung	GER-33
7.1.1 Abmessungen	GER-33
7.2 Verbindung mit dem Kabel AL-232CAB	GER-34
8. AL2-GSM-CAB	GER-37
8.1 Einleitung	GER-37
8.1.1 Abmessungen	GER-37
8.1.2 Systemkonfiguration bei Verwendung des AL2-GSM-CAB	GER-38
8.2 Installation	GER-39
8.3 Fernwartung über ein Modem	GER-41
8.3.1 Empfohlene Modems	GER-41
8.3.2 RS-232C-Kabel zwischen Modem und AL2-GSM-CAB	GER-41
8.3.3 Modemeinstellungen	GER-42
9. AL2-ASI-BD (AL2-14MR-*, AL2-24MR-*)	GER-45
9.1 Einführung	GER-45
9.1.1 Maße	GER-45
9.1.2 Systemkonfiguration	GER-46
9.2 Technische Daten	GER-46
9.3 Anschluss und Installation	GER-47
9.3.1 Installation	GER-47
9.3.2 Verdrahtung	GER-48
9.4 Einstellung der Slave-Adresse und Fehlerdiagnose	GER-48
9.4.1 Einstellung der Slave Adresse	GER-48
9.4.2 Fehlerdiagnose	GER-48
10. DCF77-Funkuhr	GER-49
10.1 Übersicht	GER-49
10.2 Systemkonfiguration	GER-50
10.3 Technische Daten	GER-50
10.4 Anschluss	GER-51
10.4.1 Verdrahtung	GER-51
10.4.2 DCF77 am α2-Display einstellen	GER-52
10.4.3 Automatischer Start	GER-53
10.4.4 Automatischer Stopp	GER-53
10.4.5 Verifizierung der empfangenen Zeit	GER-53
11. AL2-2DA (AL2-14MR-*, AL2-24MR-*)	GER-55
11.1 Übersicht	GER-56
11.1.1 Äußere Abmessungen	GER-56
11.1.2 Systemkonfiguration	GER-56
11.2 Technische Daten	GER-57
11.3 Installation und Verdrahtung	GER-58
11.3.1 Installation	GER-58
11.3.2 Verdrahtung	GER-59
11.3.3 Fehlerdiagnose	GER-60

12.AL2-2PT-ADP	GER-61
12.1 Übersicht	GER-62
12.1.1 Äußere Abmessungen.....	GER-62
12.2 Systemkonfiguration	GER-62
12.3 Technische Daten.....	GER-63
12.4 Installation und Verdrahtung.....	GER-65
12.4.1 Installation	GER-65
12.4.2 Verdrahtung.....	GER-66
12.4.3 Wahl der Maßeinheit für die Temperatur.....	GER-67
12.4.4 Abgleich des Offset	GER-68
12.4.5 Abgleich der Verstärkung	GER-69
12.4.6 Feinabgleich des Offset.....	GER-71
12.4.7 Fehlerdiagnose.....	GER-72
13.AL2-2TC-ADP	GER-73
13.1 Übersicht	GER-74
13.1.1 Äußere Abmessungen.....	GER-74
13.2 Systemkonfiguration	GER-74
13.3 Technische Daten.....	GER-75
13.4 Installation und Verdrahtung.....	GER-77
13.4.1 Installation	GER-77
13.4.2 Verdrahtung.....	GER-78
13.4.3 Wahl der Maßeinheit für die Temperatur.....	GER-79
13.4.4 Abgleich des Offset	GER-80
13.4.5 Abgleich der Verstärkung	GER-81
13.4.6 Feinabgleich des Offset.....	GER-83
13.4.7 Fehlerdiagnose.....	GER-84
14.Tasten, System-Bit und Funktionsblock-Listen	GER-85
14.1 Übersicht der Tastaturbelegung	GER-85
14.2 System- und Kontroll-Bit-Liste	GER-86
14.2.1 System-Bit-Liste	GER-86
14.2.2 Kontroll-Bit-Liste	GER-87
14.3 Liste der Funktionsblöcke	GER-88
15.Fehleranalyse	GER-93
15.1 Eingangsstatusfehler	GER-94
15.2 Ausgangsstatusfehler	GER-94
15.3 Hauptmenü wird nicht angezeigt	GER-95
15.4 Umschaltung in den Run-Modus nicht möglich	GER-96
15.5 Falsche Uhrzeit.....	GER-96
15.6 Das “?” erscheint im Display.....	GER-96
15.7 Die Funktionstasten können nicht verwendet werden	GER-97
15.8 Falsche LCD-Anzeige.....	GER-98
15.9 Die Speicher-Kassette arbeitet fehlerhaft.....	GER-99
15.10Die Kommunikation mit dem AS-Interface-Master-Modul ist gestört	GER-100
15.11Die Kommunikation mit dem AL-PCS/WIN-E ist gestört.....	GER-101

GER

1. Einleitung

Die α2-Serie kann auf einfache Weise an Orten verwendet werden, an denen eine Steuerung im Werk benötigt wird. Die Steuerung schaltet zur Steuerung elektrischer Geräte entsprechend einem Funktionsblockprogramm die Ausgänge AUS und EIN.

Die Beschreibung der Einrichtung und Nutzung der Steuerung finden Sie im α2-Programmierhandbuch. Eine detaillierte Programmieranweisung für die AL-PCS/WIN-E Software finden Sie im α2-Software-Handbuch.

Anwendungsgebiete

Die α2-Steuerung ist für folgende Anwendungsgebiete konzipiert worden:

- Beleuchtungsregulierung, Automatisierung von Klimaanlage oder Bewässerungssystemen
- Schließvorrichtungen an Toren
- Einfache Sicherheitssysteme
- Automatisierung der Tierfütterung
- Regulierung der Luftzirkulation in Viehställen und Treibhäusern

Die α2-Steuerung ist nicht für die folgenden Anwendungsmöglichkeiten entwickelt worden. Für weitere Informationen wenden Sie sich an einen Mitsubishi-Vertragspartner.

- Anwendungen, die höchste Zuverlässigkeit erfordern. Dieses sind z.B. Nukleartechnologie, Schienenverkehr, Luftfahrt, Fahrzeuge mit Verbrennungsmotoren und medizinische Geräten.
- Anwendungen in lebensbedrohlichen Situationen

GER

1.1 Besonderheiten der α 2-Steuerung:

- 1) Informations- und Funktionsblockdaten-Anzeige
Die α 2-Steuerung kann den Funktionszustand und die Alarmsignale visuell auf einer LCD-Anzeige darstellen. Die folgenden Informationen können über die Funktionsblockanzeige dargestellt werden. Die Werte angezeigter Timer und Counter können im RUN-Modus eingestellt werden.
 - Gesamtgröße der LCD Anzeige: 12 Zeichen \times 4 Zeilen
 - Angezeigte Werte: Informationen, Werte (aktuell oder voreingestellt) von Timer und Counter, Analogwerten, usw.
- 2) Programmierung über einen PC
Über die Software AL-PCS/WIN-E für Windows können Programme erstellt und gespeichert werden. Die Programmierung erfolgt über eine grafische Darstellung, in der über Verbindungslinien Funktionseinheiten auf einem Bildschirm miteinander verbunden werden. Über ein Bedienfeld an der Vorderseite kann die α 2-Steuerung ebenfalls direkt programmiert werden.
- 3) Übermittlung von Bildschirminhalten mit einem GSM-Modem
Die Bildschirminhalte können mit einem GSM-Modem per E-Mail verschickt werden. Über die gleiche Methode kann der Anwender den Zustand einer Applikation überwachen, indem die Überwachungsinformationen als E-Mail per GSM-Modem versendet werden.
- 4) Unterstützung von Computer-Link im erweiterten Protokoll
Die α 2(AL2-14MR-*,AL2-24MR-*)-Steuerung unterstützt Computer-Link (erweitertes Protokoll). Benutzerdefinierte Applikations-Software kann somit unter Verwendung von Computer-Link zur Änderung von Daten, Parametern in Funktionsblöcken und zur Überwachung von Applikationen eingesetzt werden.
- 5) Erweiterte Uhrfunktion
Die Wochen-Timer- und Kalenderfunktion bietet verschiedene Funktionen, die eine umfangreiche Zeitüberwachung ermöglichen.
- 6) Analogeingang, 0–10 V (0–500), -50 °C–200 °C (PT100), -50 °C–450 °C (Thermo-element Typ K)
Der DC-Eingang der α 2-Steuerung kann Signale von 0 bis 10 V mit einer Auflösung von 0 bis 500 verarbeiten.
- 7) Analogausgang, 0–4000 / 0–10 V, 0–2000 / 4–20 mA
Mit der α 2-Steuerung können Spannungen und Ströme ausgegeben werden.
- 8) Schnelle Zähler, max. 1 kHz
Die α 2-Steuerung stellt 2 schnelle Zähler zur Verfügung, wenn das Modul AL2-4EX (Eingänge EI1 und EI2) eingesetzt wird.

9) Max. Ausgangsstrom

Tabelle 1.1: Max. Ausgangsstrom

Ausgangstyp		Max. Ausgangsstrom
RELAIS	AL2-10MR-*: O01–O04 AL2-14MR-*: O01–O06 AL2-24MR-*: O01–O04	8A / Gesamt
	AL2-24MR-*: O05–O09 AL2-4EYR: EO1–EO4	2A / Klemme (4A / Gesamt)
TRANSISTOR	AL2-4EYT: EO1–EO4	1A / Klemme

10) Eingebauter EEPROM-Speicher

Der eingebaute EEPROM-Speicher macht eine Batterie für die Datensicherung bei Stromausfall überflüssig.

11) Unterstützung von 7 Sprachen

Die α2-Steuerung unterstützt 7 Sprachen für die Bildschirmausgabe (Englisch, Deutsch, Französisch, Italienisch, Spanisch, Schwedisch und Russisch^{*1}). Die Sprache kann im Hauptmenü ausgewählt werden.

*1 V3.00 oder höher

GER

1.2 Verfügbare Modelle

Tabelle 1.2: Hauptmodul

Modell	Spannungsversorgung	Eingänge		Ausgänge		Abmessungen (mm)	Gewicht (kg)
		Typ	Anzahl	Type	Anzahl		
AL2-10MR-A	100 - 240V AC~	100–240V AC~	6	RELAIS	4	71,2 x 90 x 52	0,21
AL2-10MR-D	24V DC	24V DC Sink/Source	6	RELAIS	4		0,20
AL2-14MR-A	100–240V AC~	100–240V AC~	8	RELAIS	6	124,6 x 90 x 52	0,30 ^{*1}
AL2-14MR-D	24V DC	24V DC Sink/Source	8	RELAIS	6		
AL2-24MR-A	100–240V AC~	100–240V AC~	15	RELAIS	9		0,35 ^{*1}
AL2-24MR-D	24V DC	24V DC Sink/Source	15	RELAIS	9		0,30 ^{*1}

*2 Ohne Sonderfunktionsmodule.

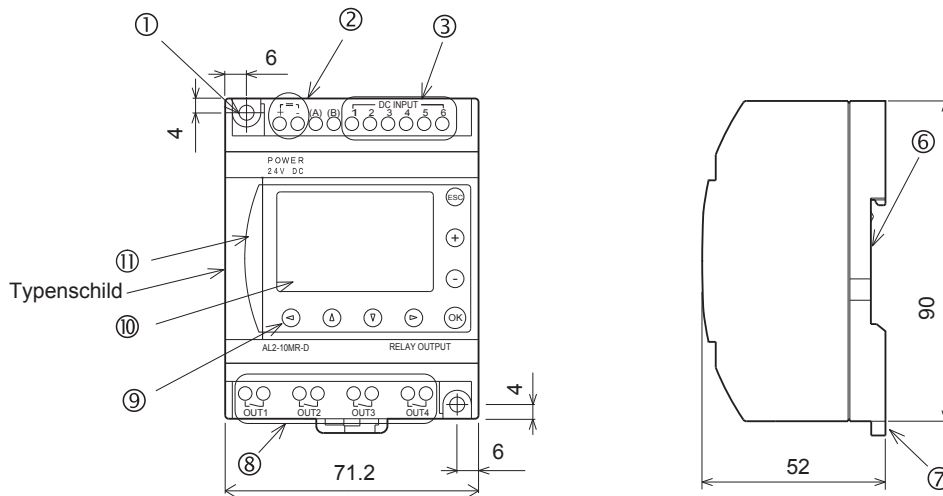
Tabelle 1.3: Erweiterungsmodule/Adapter

Modell	Eingänge		Ausgänge		Gewicht (kg)
	Typ	Anzahl	Typ	Anzahl	
AL2-4EX-A2	220–240V AC~	4	—		0,05
AL2-4EX	24V DC, Sink/Source	4	—		
AL2-4EYR	—		RELAIS	4	
AL2-4EYT	—		TRANSISTOR	4	
AL2-ASI-BD	AS-Interface (Eingänge)	4	AS-Interface (Ausgänge)	4	
AL2-2DA ^{*1}	—		Analogausgabe („0 – 10 V“ oder „4 – 20 mA“)	2	
AL2-2PT-ADP ^{*1}	Temperaturmessadapter (PT100)	2	Analog (0 bis 10 V)	2	
AL2-2TC-ADP ^{*1}	Temperaturmessadapter (Thermoelement Typ K)	2	Analog (0 bis 10 V)	2	

*1 Das Erweiterungsmodul AL2-2DA und die Adapter AL2-2PT-ADP und AL2-2TC-ADP können nur zusammen mit einem AL2-Grundgerät mit der Version V2.00 oder höher eingesetzt werden.

1.3 Abmessungen und Bedienungselemente

Abbildung 1.1: Bedienungselemente(AL2-10MR-*)

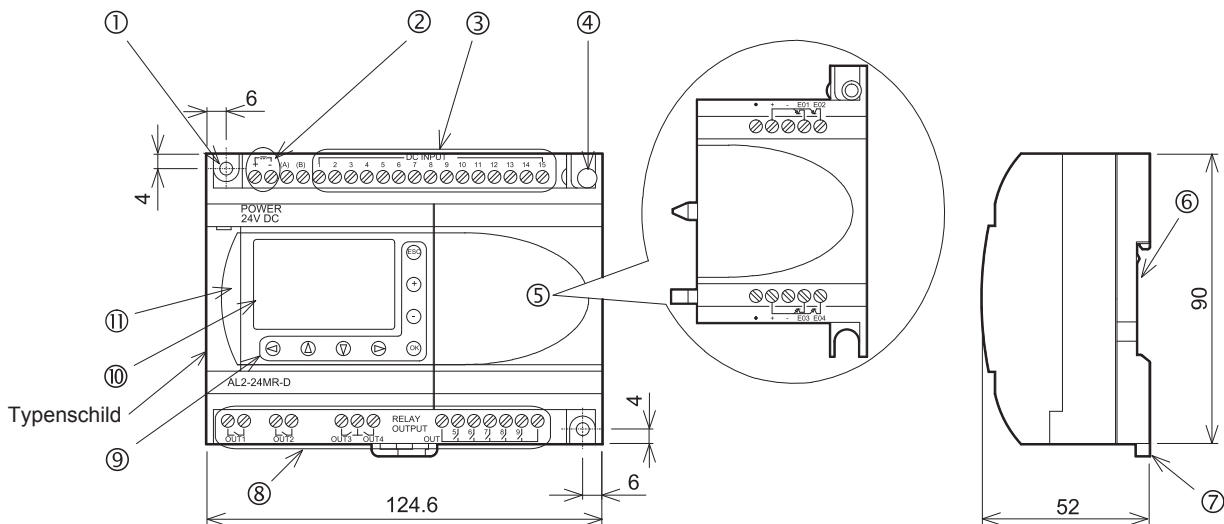


GER

Aufdruck Typenschild

⚠ ist eine Markierung, die anweist, für die Verdrahtung geeignete Kabel (Temperaturbereich 80°C oder höher) zu verwenden.

Abbildung 1.2: Bedienungselemente(AL2-14MR-*,AL2-24MR-*)



Aufdruck Typenschild

⚠ ist eine Markierung, die anweist, für die Verdrahtung geeignete Kabel (Temperaturbereich 80°C oder höher) zu verwenden.

Tabelle 1.4:Gerätebeschreibung

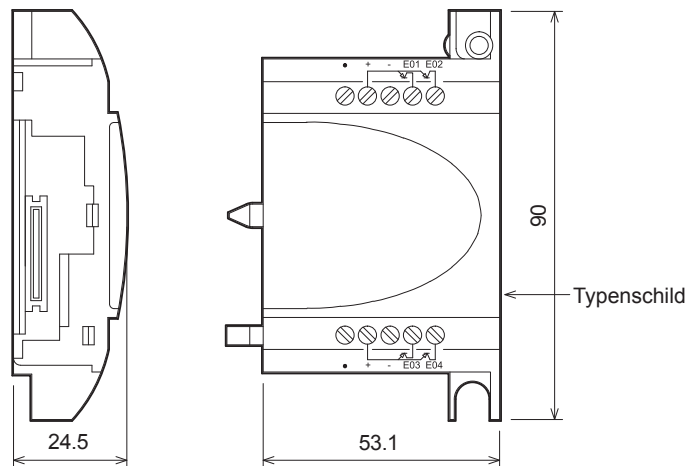
Nr.	Beschreibung
1	Montagebohrung, Ø4,2 mm
2	Spannungsversorgungsklemmen
3	Eingangsklemmen
4	Befestigungsschraube für die Abdeckung oder die Erweiterungsmodule
5	Abdeckung oder Erweiterungsmodul (AL2-14MR-*,AL2-24MR-*)
6	Nut für DIN-Schienenmontage (Breite der DIN-Schiene 35mm <DIN EN 50022>)
7	DIN-Schienenhaken
8	Ausgangsklemmen
9	Bedientasten
10	LCD-Anzeige
11	Abdeckung Programmierschnittstelle



Anmerkung

- Die Abmessungen des AL-232CAB sind in Kapitel 7 beschrieben.
- Die Abmessungen des AL2-GSM-CAB sind in Kapitel 8 beschrieben.
- Die Abmessungen des AL2-ASI-BD sind in Kapitel 9 beschrieben.
- Die Abmessungen des AL2-2DA sind in Kapitel 11 beschrieben.
- Die Abmessungen des AL2-2PT-ADP sind in Kapitel 12 beschrieben.
- Die Abmessungen des AL2-2TC-ADP sind in Kapitel 13 beschrieben.

Abbildung 1.3: Abmessungen (AL2-4EX, AL2-2EX-A2, AL2-4EYR, AL2-4EYT)

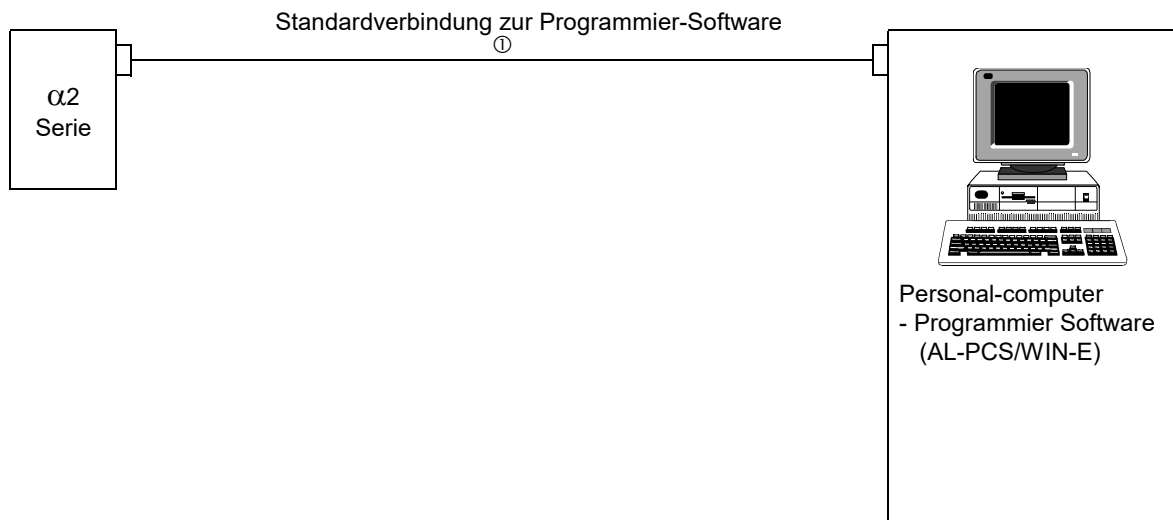


Aufdruck Typenschild

⚠ ist eine Markierung, die anweist, für die Verdrahtung geeignete Kabel (Temperaturbereich 80°C oder höher) zu verwenden.

1.4 Systemkonfiguration

Abbildung 1.4: Systemkonfiguration(AL2-10MR-*)



GER

Abbildung 1.5: Systemkonfiguration(AL2-14MR-*,AL2-24MR-*)

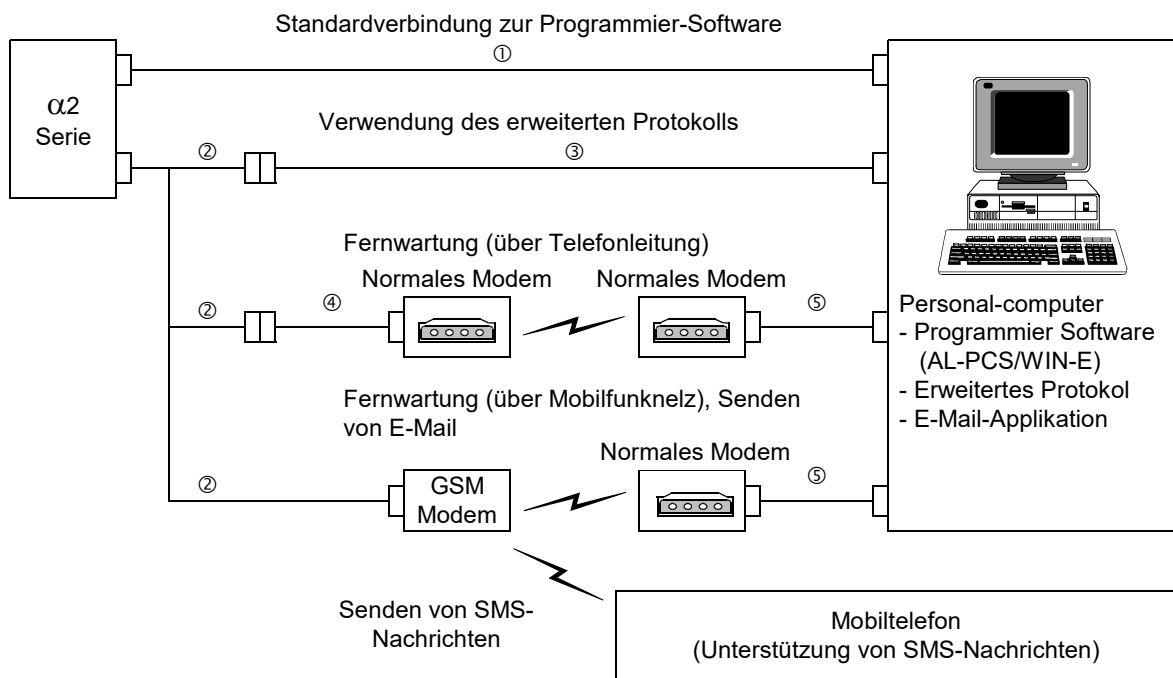


Tabelle 1.5: Systemkonfiguration

Nummer	Verwendetes Kabel
1	AL-232CAB
2	AL2-GSM-CAB
3	RS-232C serielles Kabel*1
4	RS-232C Modemkabel*1
5	RS-232C Modemkabel (bestimmt durch Modemhersteller)

*1 Weitere Informationen finden Sie in Kapitel 8.

1.5 Liste der Versionen

Tabelle 1.6: Entwicklung der α2-Steuerung

Version	Beschreibung
V1.00	Erstes Produkt
V2.00	Unterstützt: <ul style="list-style-type: none"> • AL2-2DA, AL2-2PT-ADP und AL2-2TC-ADP • Neue Funktionsblöcke • AO [Analogausgabe] und PID [PID-Regelung] • DCF77-Funkuhr
V2.20	Unterstützt: <ul style="list-style-type: none"> • Neue Funktionsblöcke • SMR [Empfang einer SMS] und CD [Anruferkennung] • Erweiterter Anwenderprogrammschutz • Erweiterte Sommerzeiteinstellung • Erweiterte spezielle Kommunikation • GSM SIM PIN • Zeichenkette zur Modeminitialisierung
V3.00	Unterstützt: <ul style="list-style-type: none"> • Sicherung des Stundenzählers durch das EEPROM (Funktionsblock Nr. 197 – 200) • Lesen des Anzeigepuffers durch ein Spezialprotokoll • Kyrillischer Zeichensatz und russischsprachige Menüs

1.6 Programmier-Software

Tabelle 1.7: Verwendbare Programmier-Software

Version der α2-Steuerung	Version der Programm-Software (AL-PCS/WIN-E)
V1.00	V2.00 oder höher
V2.00	V2.30 oder höher
V2.00	V2.40 oder höher
V3.00	V2.50 oder höher



Anmerkung

- Frühere AL-PCS/WIN-E-Versionen als V2.00 werden von der α2-Steuerung nicht unterstützt.
- Verwenden Sie die Erweiterungsmodule und Adapter AL2-2DA, AL2-2PT-ADP und AL2-2TC-ADP nicht zusammen mit AL-PCS/WIN-E Software mit einer niedrigeren Versionen als V2.30

2. Technische Daten



Anmerkung

- Die technischen Daten des AL2-ASI-BD finden Sie in Kapitel 9.
- Die technischen Daten des AL2-2DA finden Sie in Kapitel 11.
- Die technischen Daten des AL2-2PT-ADP finden Sie in Kapitel 12.
- Die technischen Daten des AL2-2TC-ADP finden Sie in Kapitel 13.

2.1 Spannungsversorgung

Tabelle 2.1: Spannungsversorgung

Beschreibung	Code	Eigenschaften
Spannungsversorgung	AL2-***-A	100–240V AC~, +10% -15%, 50–60 Hz
	AL2-***-D	24V DC, +20% -15%
max. zulässige Spannungsausfallzeit	AL2-***-A	10 ms
	AL2-***-D	5 ms
Stromspitzenwerte	AL2-***-A, 240V AC~ (120V AC~)	≤ 6,5 A (3,5 A) < 5ms
	AL2-***-D, 24V DC	≤ 7,0 A
Max. Leistungsaufnahme	AL2-10MR-A, 264V AC~	4,9 W
	AL2-10MR-D, 28,8V DC	4,0 W
	AL2-14MR-A, 264V AC~	5,5 W
	AL2-14MR-D, 28,8V DC	7,5 W
	AL2-24MR-A, 264V AC~	7,0 W
	AL2-24MR-D, 28,8V DC	9,0 W
Typ. Leistungsaufnahme (ohne Sonderfunktionsmodule)	AL2-10MR-A, 240V AC~	Alle E/A ein - 3,5 W, alle E/A aus - 1,85 W
	AL2-10MR-A, 120V AC~	Alle E/A ein - 3,0W, alle E/A aus - 1,55 W
	AL2-10MR-D, 24V DC	Alle E/A ein - 2,5 W, alle E/A aus - 0,75 W
	AL2-14MR-A, 240V AC~	Alle E/A ein - 4,5 W, alle E/A aus - 2,0 W
	AL2-14MR-A, 120V AC~	Alle E/A ein - 3,5 W, alle E/A aus - 1,5 W
	AL2-14MR-D, 24V DC	Alle E/A ein - 4,0 W, alle E/A aus - 1,0 W
	AL2-24MR-A, 240V AC~	Alle E/A ein - 5,5 W, alle E/A aus - 2,5 W
	AL2-24MR-A, 120V AC~	Alle E/A ein - 4,5 W, alle E/A aus - 2,0 W
	AL2-24MR-D, 24V DC	Alle E/A ein - 5,0 W, alle E/A aus - 1,0 W
Sicherung	AL2-***-A	Leistung: 250 V 1 A Typ: Träge
	AL2-10MR-D	
	AL2-14MR-D	Leistung: 250 V 500 mA Typ: Träge
	AL2-24MR-D	

GER

2.2 Eingänge

Tabelle 2.2: Technische Daten der AC-Eingänge

Beschreibung		Technische Daten		
		Hauptmodul		AL2-4EX-A2
		AL2-10MR-A: I01~I06 AL2-14MR-A, AL2-24MR-A: I01~I08	AL2-24MR-A: I09~I15	EI1-EI4
Eingangsspannung		100–240V AC~, +10% -15%, 50/60 Hz		220–240V AC~, +10% -15%, 50/60 Hz
Eingangsstrom		0,13 mA/120V AC~*1 0,25 mA/240V AC~*1	0,15 mA/120V AC~*1 0,29 mA/240V AC~*1	7,5 mA / 240V AC~ 50Hz 9,0 mA / 240V AC~ 60Hz
Eingangsimpedanz		≥ 800 kΩ		32 kΩ (50 Hz) 27 kΩ (60 Hz)
AUS->EIN / EIN->AUS		≥ 80 V / ≤ 40 V		≥ 160 V / ≤ 40 V
Ansprechzeit	AUS->EIN	35-85 ms / 120V AC~ 25-55 ms / 240V AC~		15–40 ms / 240V AC~
	EIN->AUS	35-85 ms / 120V AC~ 50-130 ms / 240V AC~		
Schaltkreis-isolation		keine		Optokoppler
Betriebsanzeige		LCD-Anzeige		

*1 Der Leckstrom von den an den an der Eingängen angeschlossenen Sensoren kann ausreichen, um die Steuerung einzuschalten. Verwenden Sie deshalb keine Zweileiter-Sensoren.

Tabelle 2.3: Technische Daten der DC-Eingänge

Beschreibung				Sink ("-" Common)	Source ("+" Common)
Eingangsspannung				24V DC +20% -15%	24V DC +20% -15%
Eingangsstrom	Hauptmodul	AL2-10MR-D	I01–I06	5,5 mA, 24V DC	6,0 mA, 24V DC
		AL2-14MR-D	I01–I08		
		AL2-24MR-D	I09–I15		
	AL2-4EX	EI1–EI4	5,4 mA, 24V DC	5,4 mA, 24V DC	
AUS->EIN / EIN->AUS	Hauptmodul		I01–I15	Strom: ≥ 4,7 mA / ≤ 1,1 mA Spannung: ≤ 4 V / ≥ 18 V	Spannung: ≥ 18 V / ≤ 4 V
	AL2-4EX		EI1–EI4	Spannung: ≥ 18 V / ≤ 4 V	Spannung: ≥ 18 V / ≤ 4 V
Ansprechzeit	Hauptmodul			10–20 ms	
	AL2-4EX *1			10–20 ms	
Schaltkreis-isolation	Hauptmodul			keine	
	AL2-4EX			Optokoppler	
Betriebsanzeige				LCD-Anzeige	

*1 EI1 und EI2 des AL2-4EX können als Eingänge eines schnellen Zählers eingesetzt werden. In jedem Fall beträgt die Ansprechzeit für die Eingänge eines schnellen Zählers 0,5 ms oder weniger.

Tabelle 2.4: Technische Daten der analogen Eingänge (Nur Typ AL2-*-D)**

Beschreibung	Technische Daten der analogen Eingänge
Anzahl der analogen Eingänge	6 (I01 - I06) : AL2 - 10MR - D
	8 (I01 - I08) : AL2 - 14MR - D,AL2 - 24MR - D
Analogeingangsbereich	0–500
Auflösung	9 bit, 20 mV (10V / 500)
Wandler-geschwindigkeit	8 ms
Eingangsspannung	0–10 V DC
Eingangsimpedanz	142 k Ω \pm 5%
Genauigkeit	\pm 5% (0,5 V DC)
Offset/Gain	Offset-Wert = 0 bei 0 V DC Gain-Wert: 0–10 V = 0–500 Diese voreingestellten Werte können im Funktionsblock Offset geändert werden.
Temperaturabweichung	\pm 3 LSB

GER

2.3 Ausgänge

Tabelle 2.5: Technische Daten der Relais-Ausgänge

Beschreibung		Technische Daten
Einschaltspannung		250V AC~ oder weniger, 30V DC oder weniger
Max. ohmsche Last	AL2-10MR-* (O01 - O04)	8 A / Gesamt
	AL2-14MR-* (O01-O06)	
	AL2-24MR-* (O01-O04)	
	AL2-24MR-* (O05-O09)	2 A / Klemme (4 A / Gesamt)
	AL2-4EYR (EO1-EO4)	2 A / Klemme
Lebenszyklus / ohmsche Last	AL2-10MR-* (O01 - O04)	100000 Zyklen bei 8 A / 240V AC~ oder 24V DC
	AL2-14MR-* (O01-O06)	
	AL2-24MR-* (O01-O04)	
	AL2-24MR-* (O05-O09)	100000 Zyklen bei 2 A / 240V AC~ oder 24V DC
	AL2-4EYR (EO1-EO4)	
Minimale Last		50 mW (10 mA bei 5V DC)
Max. induktive Last	AL2-10MR-* (O01 - O04)	249 VA (1/3 hp) / 125V AC~, 373 VA (1/2 hp) / 250V AC~
	AL2-14MR-* (O01-O06)	
	AL2-24MR-* (O01-O04)	
	AL2-24MR-* (O05-O09)	93 VA (1/8 hp) / 125V AC~, 93 VA (1/8 hp) / 250V AC~
	AL2-4EYR (EO1-EO4)	
Ansprechzeit		≤ 10 ms
Betriebsanzeige		LCD-Anzeige
Schaltkreis isolation		über Relais

Tabelle 2.6: Technische Daten der Transistor-Ausgänge (Nur Source) für AL2-4EYT

Beschreibung	Transistor Eigenschaften
Schaltspannung	5-24V DC (+20%, -5%)
Max. ohmsche Last	1A / Klemme (8-24V DC), 0,1A / Klemme (5-8V DC)
Minimale Last	1,0 mA
Max. induktive Last	1 A / 24V DC (24 W)
Ansprechzeit Ein/Aus, Aus/Ein	≤ 1 ms
Leckstrom	≤ 0,1 mA / 24V DC
Betriebsanzeige	LCD-Anzeige
Schaltkreis isolation	Optokoppler

2.4 Umgebungsbedingungen

Tabelle 2.7: Umgebungsbedingungen

Beschreibung		Technische Daten
Programmiermethode		Funktionsblock-Methode
Programmkapazität		200 Funktionsblöcke oder 5000 Bytes
Programmspeicherung		EEPROM (keine Batterie erforderlich) oder optionale EEPROM-Kassette (AL2-EEPROM-2)
Operandensicherung		20 Tage bei 25°C (Kondensator)
Echtzeituhr-Backup		20 Tage bei 25°C (Kondensator)
Genauigkeit Echtzeituhr		5 s/Tag (25°C)
Betriebstemperatur		Steuerungs-Hardware: (-25)–55°C Steuerungs-Anzeige: (-10)–55°C
Lagertemperatur		(-30)–70 °C
Vibrationsfestigkeit Direkte Montage		entspricht IEC 68-2-6; 10-57 Hz: 0,15 mm Konstante Amplitude 57-150 Hz: 19,6 m/s ² Beschleunigung Ablenkzyklus X,Y,Z: 10 x (80 min. in alle 3 Richtungen)
Vibrationsfestigkeit DIN-Schienen-Montage		entspricht IEC 68-2-6; 10-57 Hz: 0,075 mm Konstante Amplitude 57-150 Hz: 9,8 m/s ² Beschleunigung Ablenkzyklus für X,Y,Z: 10 x (80 min. in alle 3 Richtungen)
Stoßfestigkeit		entspricht IEC 68-2-27: 147m/s ² Beschleunigung, Aktionszeit: 11 ms 3 x in alle 3 Richtungen X,Y und Z
Störspannungsfestigkeit		1000Vpp, 1 Mikrosek., 30–100 Hz, getestet mit Störspannungssimulator
Luftfeuchtigkeit		35–85% relative Luftfeuchtigkeit, keine Kondensation
Spannungsfestigkeit		3750 V Wechselstrom~ für eine Minute zwischen den folgenden Punkten: Spannungs-/Eingangsklemmen und Relais-Ausgangsklemmen Relais-Ausgangsklemme und Relais-Ausgangsklemme Alle Klemmen und der Steuerkasten (DIN 43880) oder ähnliches
Isolationswiderstand		7 MΩ bei 500 V Gleichstrom zwischen den folgenden Punkten: Spannungs-/Eingangsklemmen und Relais-Ausgangsklemmen Relais-Ausgangsklemme und Relais-Ausgangsklemme Alle Klemmen und der Steuerkasten (DIN 43880) oder ähnliches
Verschmutzungsgrad		2
Erdung		keine
Elektrische Isolation		Verstärkte Primär- und Sekundärisolation
Umgebungsbedingungen		Umgebungen mit aggressiven Gasen meiden, staubfrei aufstellen
Schutzklasse		IP 20
Temperatur für den Balldrucktest		75°C
Arbeitshöhe		<2000 m ^{*1}
Installationsort		In einem Schaltschrank ^{*2}
Überspannungskategorie		II
EC-Richtlinie	EMC	EN61131-2: 2007
	LVD	EN61131-2: 2007 ^{*3} EN IEC 61010-2-201 ^{*3*4}

GER

Tabelle 2.7: Umgebungsbedingungen

Beschreibung	Technische Daten
UL/cUL-Zertifizierung	Dateinummer: E95239*5
LCD-Anzeige	4 Zeilen mit je 12 Zeichen, Run-Modus, Passwortschutz, Statustabelle und Funktionsblock-Übersicht während der Programmierung

*1 Die Steuerung der α2-Serie kann nicht bei einem höheren Druck als dem Atmosphärendruck betrieben werden, um Schäden zu vermeiden.

*2 Es wird davon ausgegangen, dass die Steuerung der α2-Serie in einer Umgebung installiert wird, die der von Innenräumen entspricht.

*3 Steuerungen der α2-Serie, die vor dem 28. Februar 2018 hergestellt wurden, entsprechen der Norm EN61131-2: 2007, nach dem 1. März 2018 entsprechen sie der Norm EN IEC 61010-2-201.

*4 Für einige Modelle, die nach dem 1. Januar 2018 hergestellt wurden, gilt EN IEC 61010-2-201.

*5 AL2-ASI-BD entspricht nicht diesen Standards.

Vorsicht bei der Einhaltung der LVD-Richtlinie (EN IEC 61010-2-201)

- Bitte verwenden Sie die Steuerung der α2-Serie, wenn Sie ihn in leitfähigen, abgeschirmten Schaltschränken in einer allgemeinen industriellen Umgebung installiert ist.
- Die Steuerungen der α2-Serie sind offene Geräte, die in leitfähigen Schaltschränken installiert und verwendet werden müssen. Bitte befestigen Sie den Schaltschrankdeckel am Schaltschrank (zur Ableitung).
Die Installation in einem Schaltschrank hat großen Einfluss auf die Sicherheit des Systems und trägt dazu bei, das Rauschen des Controllers der α2-Serie abzuschirmen.
- Verwenden Sie als Schaltschrank ein Produkt mit ausreichender Stärke, Feuerschutz und Abschirmungseigenschaften für eine Installationsumgebung.
- Schließen Sie den Stromkreis getrennt von einer gefährlichen Spannung über eine doppelte / verstärkte Isolierung an einen externen Anschluss an, bei dem es sich nicht um den Wechselstromanschluss und den AC-Eingang / Ausgang handelt.
- Bei der Verkabelung stecken Sie bitte das Kabel bis zum Anschlag in den Klemmenblock.
- Ein Abschaltgerät wie ein Unterbrecher oder ein Stromkreisschutz muss gemäß den folgenden Vorsichtsmaßnahmen installiert werden.
 - Verwenden Sie die Normen EN60947-1 oder EN60947-3.
 - Platzieren Sie die Absperrvorrichtung so, dass sie leicht bedient werden kann.
 - Geben Sie an, dass das Abschaltgerät für dieses Gerät bestimmt ist.

3. Installation

3.1 Installationshinweise

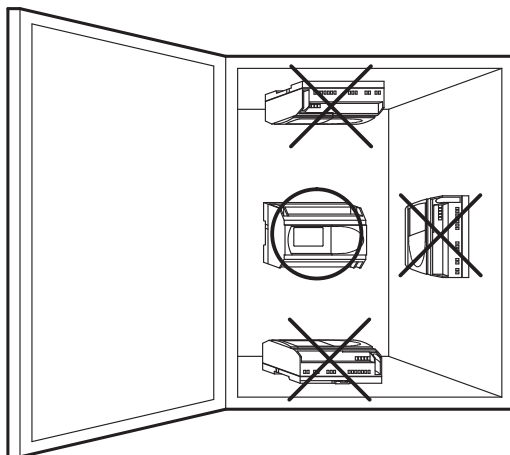


Die α 2-Steuerung wurde so konzipiert, dass sie unter Berücksichtigung folgender Einschränkungen nahezu überall eingesetzt werden kann:

- Die Geräte dürfen den folgenden Umgebungsbedingungen nicht ausgesetzt werden: Umgebungen mit einem hohen Grad an leitfähigen Stäuben, Korrosion, entzündbaren Gasen, Feuchtigkeit, Regen, direkte Sonnenbestrahlung, große Hitze, starke Schockwellen und Vibrationen. Stellen Sie das Gerät nicht ins Wasser, und achten Sie darauf, dass kein Wasser in das Gerät dringt.
- Achten Sie darauf, dass keine Fremdkörper in das Gerät gelangen.
- Montieren Sie das Gerät möglichst weit entfernt von Hochspannungskabeln und Starkstromgeräten.
- Die α 2-Steuerung muss in einen Schaltschrank nach DIN 43880 oder einen Steuerkasten eingebaut werden.
- Sollte es möglich sein, die α 2-Steuerung in einem Schaltschrank zu berühren, müssen Sie eine statische Entladung ihrerseits sicherstellen, um den Einfluss statischer Elektrizität zu vermeiden.

GER

Abbildung 3.1: Montageanordnung



- Verwenden Sie zur Montage M4-Schrauben mit Zylinderkopf.
- Die Anschlüsse müssen abgedeckt werden, um Stromberührung zu vermeiden.
- Lassen Sie einen Minimalabstand von 10 mm zur Lüftung zwischen Ober- und Unterseite der α 2-Steuerung und den umgebenden Wänden.
- Schrauben Sie die α 2-Steuerung nie auf.



Anmerkung

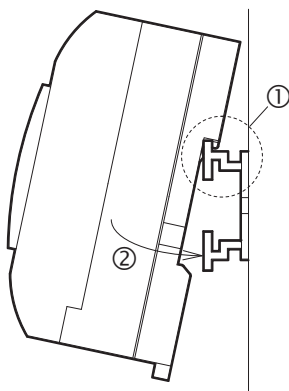
- Wenn sie das AL2-EEPROM-2 installieren oder entfernen, beachten Sie bitte Kapitel 6.
- Wenn sie das AL-232CAB installieren oder entfernen, beachten Sie bitte Kapitel 7.
- Wenn sie das AL2-GSM-CAB installieren oder entfernen, beachten Sie bitte Kapitel 8.
- Wenn sie das AL2-ASI-BD installieren oder entfernen, beachten Sie bitte Kapitel 9.
- Wenn sie das AL2-2DA installieren oder entfernen, beachten Sie bitte Kapitel 11.
- Wenn sie das AL2-2PT-ADP installieren oder entfernen, beachten Sie bitte Kapitel 12.
- Wenn sie das AL2-2TC-ADP installieren oder entfernen, beachten Sie bitte Kapitel 13.

3.2 Montage auf einer DIN Befestigungsschiene

Die Module können auf einer DIN-Schiene 35 mm (DIN EN 50022) montiert werden.

3.2.1 Montage

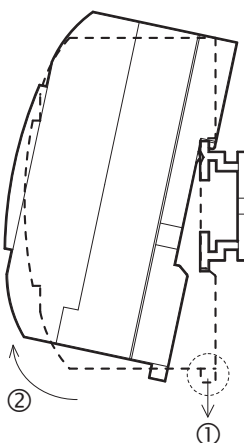
Abbildung 3.2: Montage



Klemmen Sie die Befestigungsschiene zuerst an der oberen Seite in die dafür vorgesehene Aussparung an der Steuerung (①) und drücken danach das Modul an der unteren Seite auf die Befestigungsschiene (②).

3.2.2 Demontage

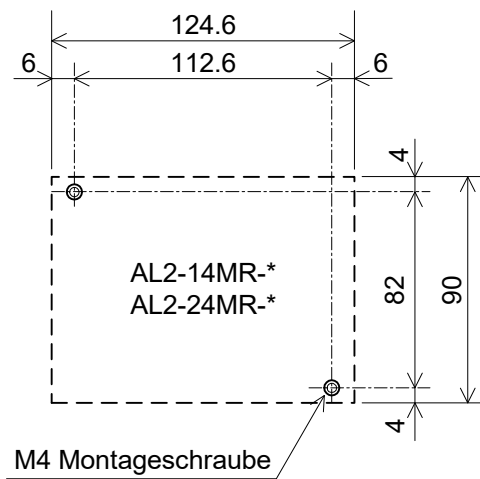
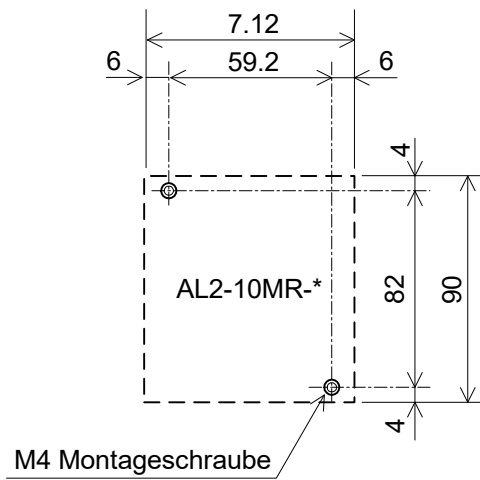
Abbildung 3.3: Demontage



Ziehen Sie den DIN-Schienenhaken nach unten (①) und nehmen Sie die α 2-Steuerung von der DIN-Schiene ab (②).

3.3 Direktmontage

Abbildung 3.4: Direktmontage



GER

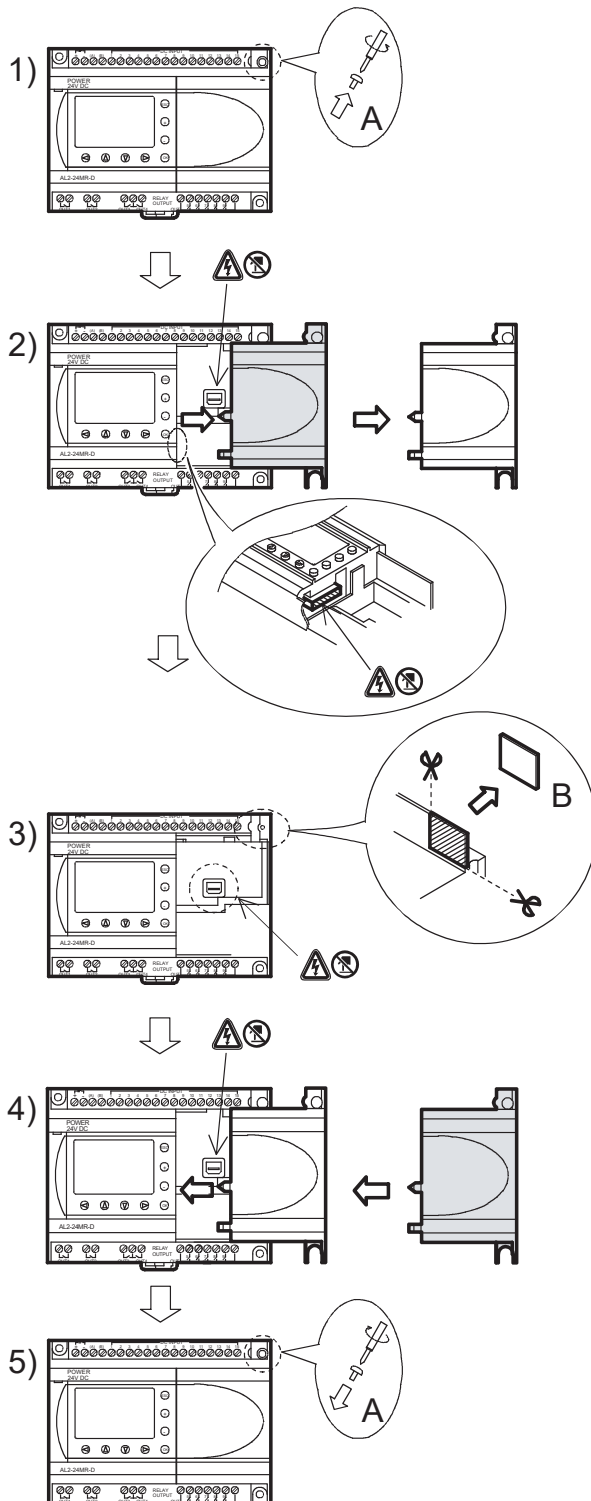
3.4 Installation der Erweiterungsmodule(AL2-14MR-*,AL2-24MR-*)



Achtung

Trennen Sie alle Anschlüsse von der Spannungsversorgung, bevor Sie die Abdeckung entfernen.

Abbildung 3.5: Installation



- 1) Lösen Sie die Schraube 'A'.
- 2) Entfernen Sie vorsichtig die Abdeckung des Steckplatzes.
- 3) Schneiden Sie den Bereich 'B' aus dem Hauptmodul der α2-Steuerung aus.
- 4) Montieren Sie das Erweiterungsmodul auf den Baugruppenträger.
- 5) Ziehen Sie die Schraube 'A' mit einem Anzugmoment von 0,4 Nm wieder an.

: Gefahr von Stromschlägen.

: Berühren Sie nicht direkt die leitenden Teile des Produkts.

4. Verdrahtung



Anmerkung

- Die Verdrahtung des AL2-ASI-BD ist im Kapitel 9 beschrieben.
- Die Verdrahtung des AL2-2DA ist im Kapitel 11 beschrieben.
- Die Verdrahtung des AL2-2PT-ADP ist im Kapitel 12 beschrieben..
- Die Verdrahtung des AL2-2TC-ADP ist im Kapitel 13 beschrieben.

4.1 Hinweise zur Installationsverdrahtung



Obwohl die Verdrahtung der α 2-Steuerung denkbar einfach ist, darf nur speziell ausgebildetes Personal die elektrische Verdrahtung der Geräte vornehmen. Sollten Sie Unterstützung durch einen Techniker brauchen, wenden Sie sich an eine anerkannt ausgebildete Elektrofachkraft, die mit den nationalen Sicherheitsstandards der Automatisierungstechnik vertraut ist. Schalten Sie die Spannungsversorgung ab, bevor Sie mit der Verdrahtung beginnen.

- Die Ein- und Ausgangskabel dürfen nicht durch das gleiche Multikernkabel oder den gleichen Kabelbaum verlegt werden.
- Die Ein- und Ausgangskabel dürfen nicht in der Nähe von Hochspannungsleitungen verlegt werden.
- Die Eingangs- und Ausgangskabellänge muß weniger als 30 m betragen.

Berücksichtigen Sie Spannungsabfälle und Störungen, wenn die Eingangs- und Ausgangssignalkabel über große Entfernungen geführt werden. Stellen Sie sicher, dass für die Verdrahtung die richtigen Kabelgrößen verwendet werden.



Verwenden Sie zum Anziehen der Eingangsklemmen einen 3 mm Schlitzschraubendreher.

4.2 Kabelgröße und Spezifikationen

Für die Verdrahtung der Ein- und Ausgänge verwenden Sie bitte ausschließlich folgende Kabeltypen. Entfernen Sie die Isolierung der Kabelenden entsprechend der Angaben in der folgenden Tabelle (Siehe Tabelle 4.1 und Abbildung 4.1). Lösen Sie die Klemmschraube, bevor Sie ein Kabel anschließen. Stecken Sie das abisolierte Kabelende vollständig in die Schraubklemme, damit eine störungsfreie Verbindung gewährleistet ist.

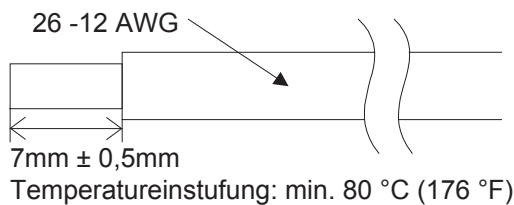
Für die Schrauben der Klemmen verwenden Sie einen 3 mm Schlitzschrauben-dreher.

Tabelle 4.1: Kabelquerschnitt

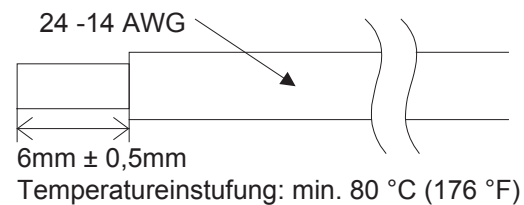
	Kabelquerschnitt	Abisolierlänge
Hauptmodul	26–12 AWG (0,13–3,31 mm ²)	7 mm ± 0,5 mm
Erweiterungsmodul	24–14 AWG (0,2–2,5 mm ²)	6 mm ± 0,5 mm

Abbildung 4.1: Kabelquerschnitt

Hauptmodal



Erweiterungsmodal



Anmerkung:

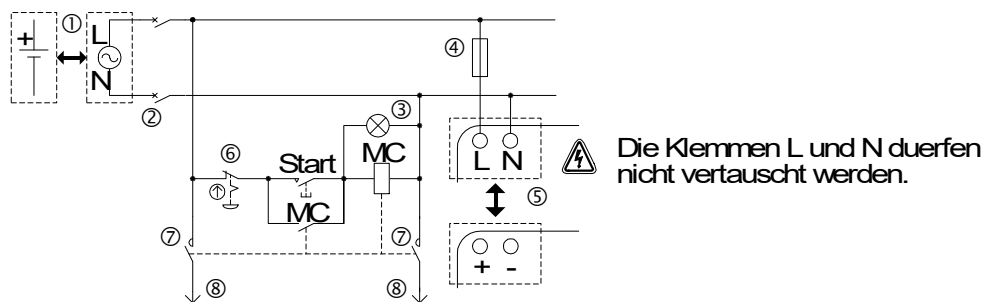
- Um eine Beschädigung der Leitungen zu vermeiden, drehen Sie die Klemmschrauben mit einem Drehmoment von 0,5 bis 0,6 Nm an.
- Bitte verwenden Sie keinen Lötzinn oder andere Substanzen auf dem abisolierten Kabelende, die zu einem Kabelbruch führen könnten.
 - Flexible Leitung: Isolation entfernen, Aderendhülsen anbringen oder Litze verdrillen und Leitung anschließen.
 - Starre Leitung: Isolation entfernen und Leitung anschließen.

4.3 Spannungsversorgung



- Beim Anschluss einer Wechselspannung (AC) muss der L-Leiter an die L-Klemme und der N-Leiter an die N-Klemme angeschlossen werden. Der L-Leiter darf niemals an die N-Klemme angeschlossen werden, weil dies für den Benutzer beim Einschalten des Gerätes zu einem lebensgefährlichen Stromschlag führen kann.
- Beim Anschluss einer Gleichspannung (DC) muss der positive Leiter an die (+)-Klemme und der negative Leiter an die (-)-Klemme angeschlossen werden. Der Anschluss der Spannungsversorgung darf auf keinen Fall an einer anderen Klemme des Gerätes erfolgen. Gleichstromversorgungseinheiten sollten die Steuerung mit 4 A versorgen können.

Abbildung 4.2: Empfohlene Verdrahtung der Spannungsversorgung



GER

Tabelle 4.2: Empfohlene Verdrahtung der Spannungsversorgung

Nr.	Beschreibung
1	Spannungsversorgung AL2-***-A: 100–240V AC~, 50/60 Hz AL2-***-D: 24V DC
2	Schaltkreis-Schutzgerät
3	Anzeige für Spannung EIN
4	Überlastschutz max. Strom: 1,0 A
5	α2-Steuerung
6	NOT-AUS-Schalter
7	Magnetschalterkontakt
8	Spannungsversorgung für Last

4.4 AC-Spannungsversorgung und Eingangsverdrahtung

4.4.1 AC-Spannungsversorgung und Eingangsverdrahtung

Abbildung 4.3: AC-Spannungsversorgungs und Eingangsschaltung

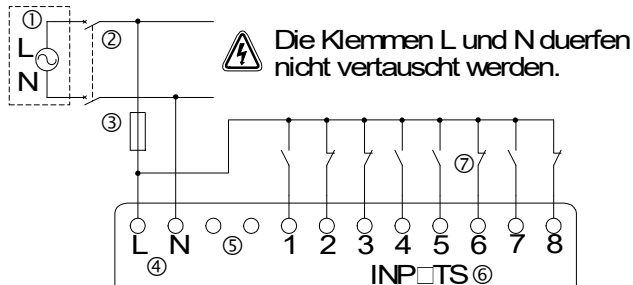


Tabelle 4.3: AC-Spannungsversorgung und Eingangsverdrahtung

Nr.	Beschreibung
1	AC-Spannungsversorgung: 100–240 V AC~ 50/60 Hz
2	Schaltkreis-Schutzgerät
3	Überlastschutz max. Strom: 1,0 A
4	AC-Spannungsklemmen
5	Nicht verwendete Klemmen
6	Eingangsklemmen
7	Digitaleingänge

4.4.2 AL2-4EX-A2 Eingangsverdrahtung

Abbildung 4.4: AL2-4EX-A2 Eingangsschaltung

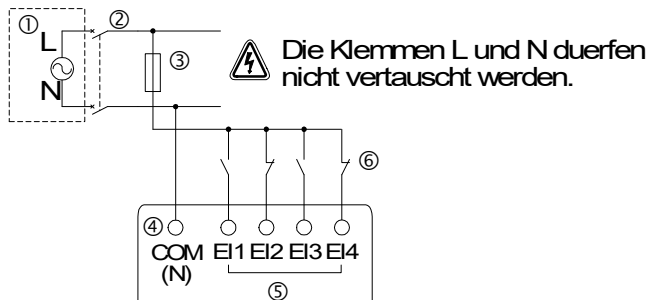


Tabelle 4.4: AC-Spannungsversorgung und Eingangsverdrahtung

Nr.	Beschreibung
1	AC-Spannungsversorgung: 220–240 V AC~ 50/60 Hz
2	Schaltkreis-Schutzgerät
3	Überlastschutz max. Strom: 1,0 A
4	COM (N)-Klemme
5	Eingangsklemmen
6	Digitaleingänge

4.5 DC-Spannungsversorgung und Eingangsverdrahtung

4.5.1 DC-Spannungsversorgung und Source Eingangsverdrahtung (gemeinsamer “+” Pol)

Abbildung 4.5: DC-Spannungsversorgung und Source Eingangsverdrahtung (gemeinsamer “+” Pol)

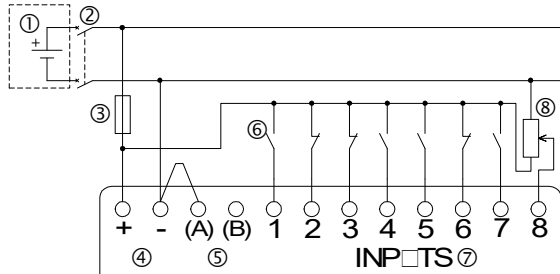


Tabelle 4.5: DC-Spannungsversorgung und Source Eingangsverdrahtung (gemeinsamer “+” Pol)

Nr.	Beschreibung
1	DC-Spannungsversorgung: 24 V DC
2	Schaltkreis-Schutzgerät
3	Überlastschutz max. Strom: 1,0 A
4	DC-Spannungsklemmen
5	Sink-/Source-Eingangsklemmen
6	Sensor-Eingangsklemmen
7	Eingangsklemmen
8	Analogeingang

4.5.2 AL2-4EX Source Eingangsverdrahtung (gemeinsamer “+” Pol)

Abbildung 4.6: AL2-4EX Source Eingangsverkabelung (gemeinsamer “+” Pol)

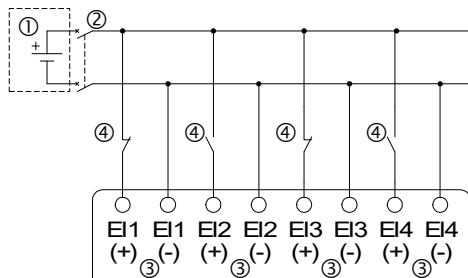


Tabelle 4.6: DC-Spannungsversorgung and Source Eingangsverdrahtung (gemeinsamer “+” Pol)

Nr.	Beschreibung
1	DC-Spannungsversorgung: 24 V DC
2	Schaltkreis-Schutzgerät
3	Eingangsklemmen
4	Sensor-Eingangsklemmen



Anmerkung

Jede Eingangsklemme (EI1 - EI4) kann entweder als Source-Eingang oder als Sink-Eingang verwendet werden.

4.5.3 DC-Spannungsversorgung und Sink Eingangsverdrahtung (gemeinsame Masse)

Abbildung 4.7: DC-Spannungsversorgung und Sink Eingangsverdrahtung (gemeinsame Masse)

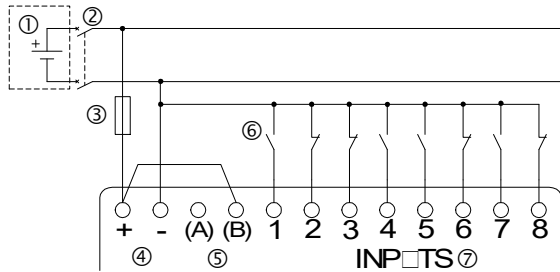


Tabelle 4.7: DC-Spannungsversorgung und Sink Eingangsverdrahtung (gemeinsame Masse)

Nr.	Beschreibung
1	DC-Spannungsversorgung: 24 V DC
2	Schaltkreis-Schutzgerät
3	Überlastschutz max. Strom: 1,0 A
4	DC-Spannungsklemmen
5	Sink-/Source-Eingangsklemmen
6	Sensor-Eingangsklemmen
7	Eingangsklemmen

4.5.4 AL2-4EX Sink Eingangsverdrahtung (gemeinsame Masse)

Abbildung 4.8: AL2-4EX Sink Eingangsverdrahtung (gemeinsame Masse)

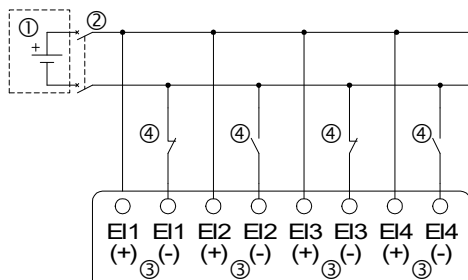


Tabelle 4.8: DC-Spannungsversorgung und Sink Eingangsverdrahtung (gemeinsame Masse)

Nr.	Beschreibung
1	DC-Spannungsversorgung: 24 V DC
2	Schaltkreis-Schutzgerät
3	Eingangsklemmen
4	Sensor-Eingangsklemmen



Anmerkung

Jede Eingangsklemme (EI1 ~ EI4) kann entweder als Source-Eingang oder als Sink-Eingang verwendet werden.

4.6 Relais-/Transistor-Ausgangsverdrahtung

4.6.1 Relaisausgangsverdrahtung Hauptmodul (AC und/oder DC)

Abbildung 4.9: Relaisausgangs-Schalt diagramm Hauptmodul (AC und/oder DC)

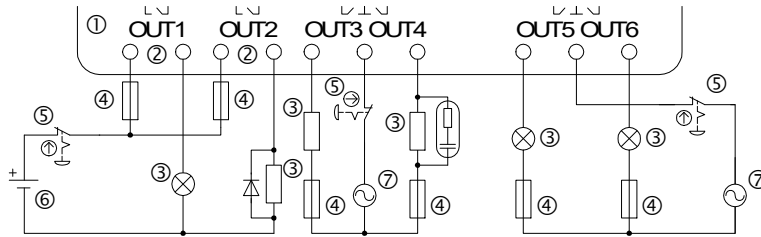


Tabelle 4.9: Relaisausgangsverdrahtung Hauptmodul (AC und/oder DC)

Nr.	Beschreibung
1	α2-Steuerung
2	Voneinander isolierte Ausgänge
3	Ausgangsgeräte
4	Sicherung (siehe Tabelle 4.10)
5	NOT-AUS-Schalter
6	DC-Spannungsversorgung
7	AC-Spannungsversorgung

Tabelle 4.10: Relaisausgang Schutzschaltung

Modell	Anzahl der Ausgänge	Max. ohmsche Last	Schaltkreis-Schutz (Sicherung)
AL2-10MR-*	O01-O04	8 A / gesamt	≤ 10 A (Schaltkreis)
AL2-14MR-*	O01-O06		≤ 10 A (Schaltkreis)
AL2-24MR-*	O01-O04		≤ 10 A (Schaltkreis)
	O05-O09	2 A / Klemme (4 A / gesamt)	≤ 3 A (Schaltkreis)

GER

4.6.2 Relaisausgangsverdrahtung AL2-4EYR (AC und/oder DC)

Abbildung 4.10: Relaisausgangsverdrahtung AL2-4EYR (AC und/oder DC)

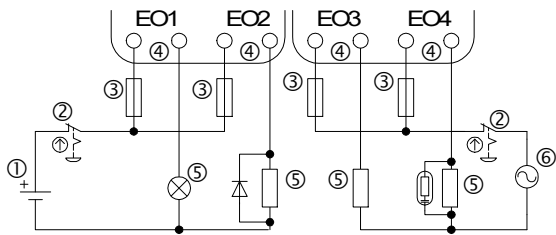


Tabelle 4.11: Relaisausgangsverdrahtung AL2-4EYR (AC und/oder DC)

Nr.	Beschreibung
1	DC-Spannung
2	NOT-AUS-Schalter
3	Sicherung (≤ 3 A)
4	Voneinander isolierte Ausgänge
5	Ausgangsgeräte
6	AC-Spannung

Tabelle 4.12: Relaisausgang Schutzschaltung

Modell	Anzahl der Ausgänge	Max. ohmsche Last	Schaltkreis-Schutz (Sicherung)
AL2-4EYR	EO1-EO4	2 A / Klemme	≤ 3 A (Schaltkreis)

4.6.3 AL2-4EYT Transistor-Ausgangsverdrahtung (nur Source <gemeinsamer “+” Pol>)

Abbildung 4.11: AL2-4EYT Transistor-Ausgangsverdrahtung (nur Source <gemeinsamer “+” Pol>)

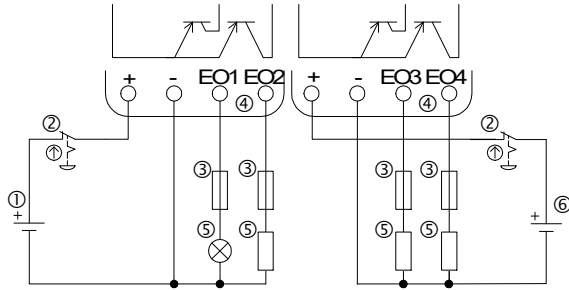


Tabelle 4.13: Transistor-Ausgangsverdrahtung

Nr.	Beschreibung
1	DC-Spannungsversorgung für Ausgänge, 24 V DC
2	NOT-AUS-Schalter
3	Schaltkreis-Schutzgerät (siehe Table 4.14)
4	Ausgangsklemmen
5	Ausgangsgeräte
6	DC-Spannungsversorgung für Ausgänge, 12 V DC

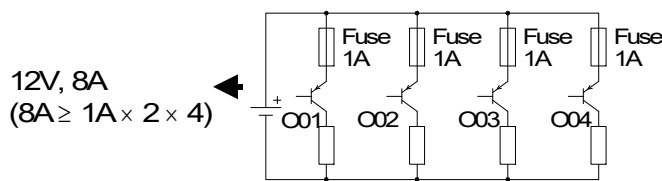
Tabelle 4.14: Schaltkreis-Schutz für Transistor-Ausgänge

Spannung	Schaltkreisschutz (Sicherung)
5V DC	≤ 0,3 A (Schaltkreis)
12V DC	≤ 2,0 A (Schaltkreis) *1
24V DC	≤ 2,0 A (Schaltkreis) *1



*1 Belastbarkeit der Spannungsquelle ≥ Sicherungsstärke × 2

Abbildung 4.12: Beispielberechnung der Sicherungsstärke



Anmerkung;

Tabelle 4.15: Hinweise zur Ausgangsklemme

Volt	Hinweise zur Ausgangsklemme
5	Alle Ausgangsklemmen können in einem Schaltkreis verdrahtet werden.
12-24	Alle Ausgangsklemmen können in einem Schaltkreis verdrahtet werden.
5,12,24	Für jeden der drei Spannungsbereiche muss ein separater Schaltkreis realisiert werden.

GER

5. Klemmenbelegung



Anmerkung

- Die Klemmenbelegung des AL2-ASI-BD ist in Kapitel 9 beschrieben.
- Die Klemmenbelegung des AL2-2DA ist in Kapitel 11 beschrieben.
- Die Klemmenbelegung des AL2-2PT-ADP ist in Kapitel 12 beschrieben.
- Die Klemmenbelegung des AL2-2TC-ADP ist in Kapitel 13 beschrieben.

Abbildung 5.1: AL2-10MR-A, AC-Eingang, Relais-Ausgang

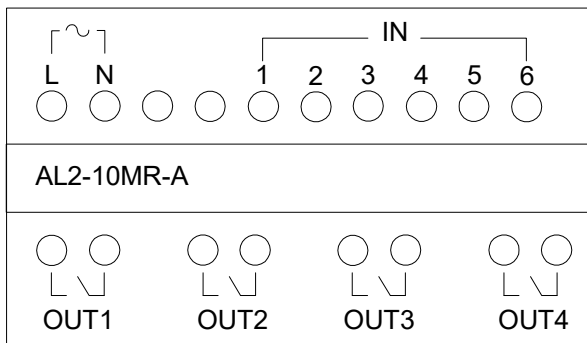


Abbildung 5.2: AL2-10MR-D, DC-Eingang, Relais-Ausgang

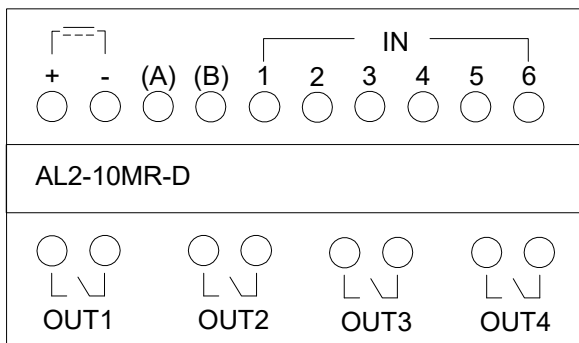


Abbildung 5.3: AL2-14MR-A, AC-Eingang, Relais-Ausgang

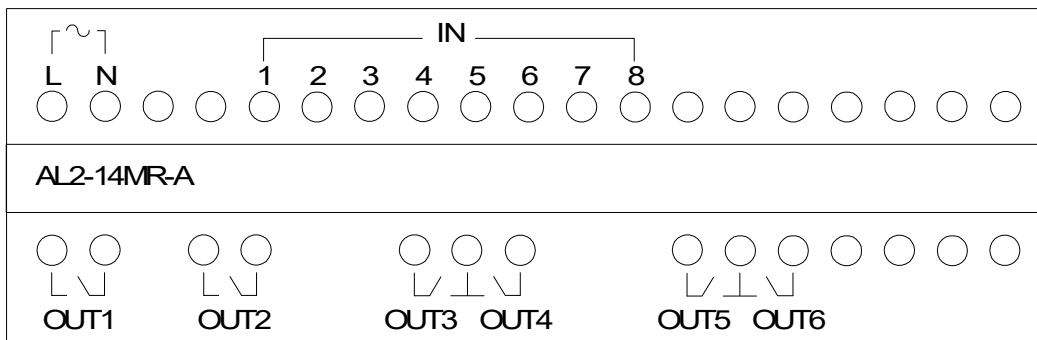


Abbildung 5.4: AL2-14MR-D, DC-Eingang, Relais-Ausgang

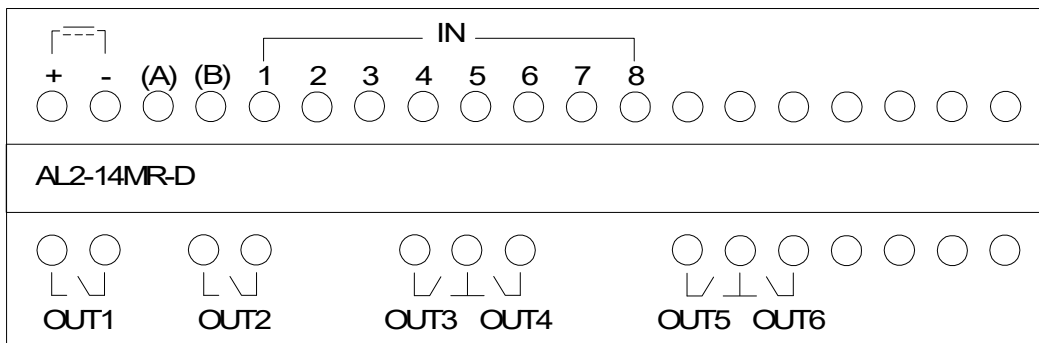


Abbildung 5.5: AL2-24MR-A, AC-Eingang, Relais-Ausgang

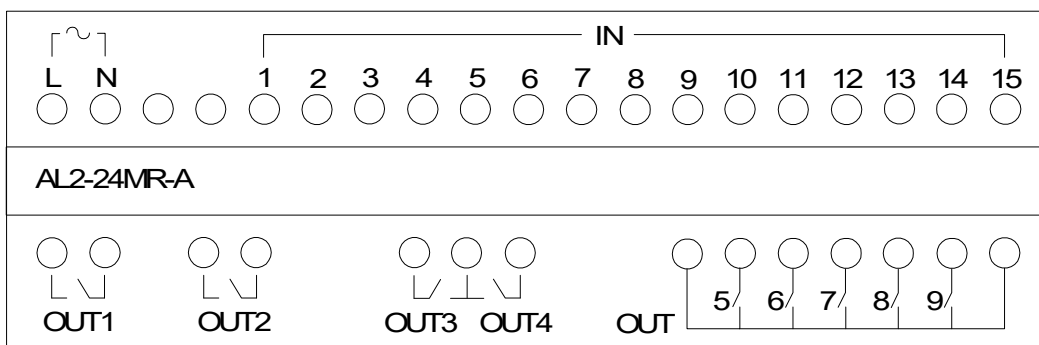


Abbildung 5.6: AL2-24MR-D, DC-Eingang, Relais-Ausgang

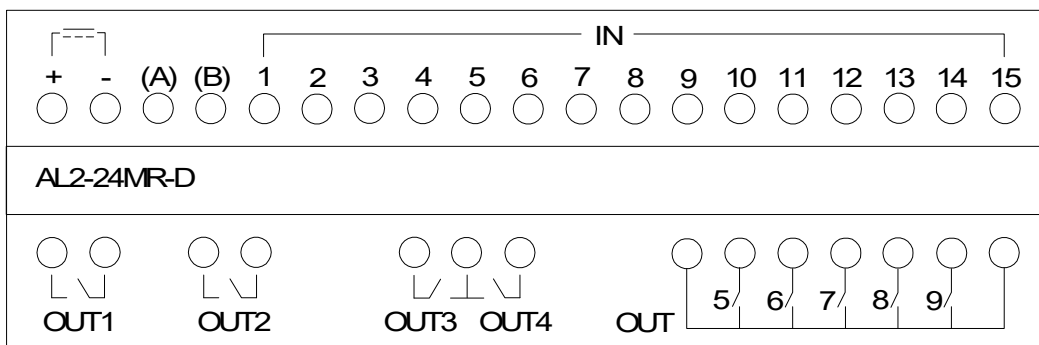
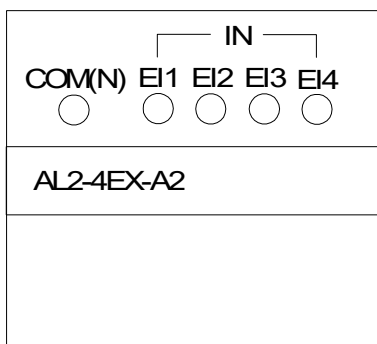


Abbildung 5.7: AL2-4EX-A2, 220-240V AC-Eingang



GER

Abbildung 5.8: AL2-4EX, DC-Eingang

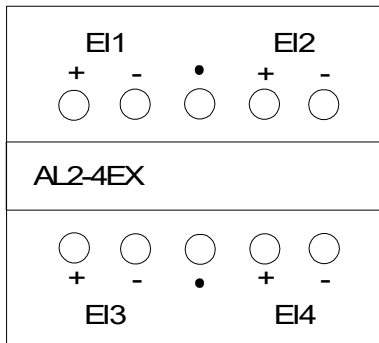


Abbildung 5.9: AL2-4EYR, Relais-Ausgang

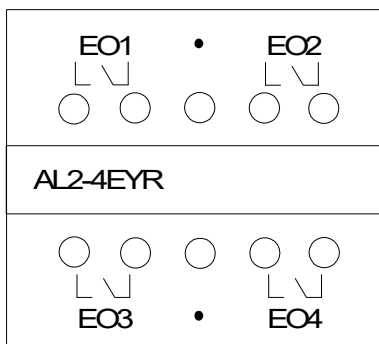
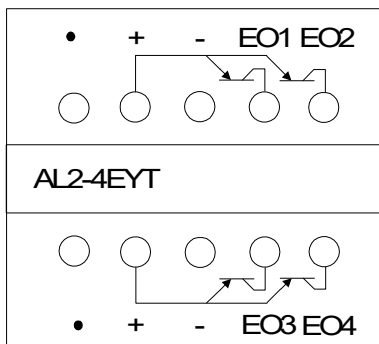


Abbildung 5.10: AL2-4EYT, Transistor-Ausgang



6. AL2-EEPROM-2

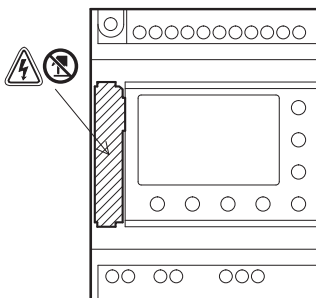
Die Speicherkassette AL2-EEPROM-2 darf nur in den α2-Steuerungen (Modell: AL2-**M*-*) verwendet werden.




Achtung

- Nur speziell ausgebildetes Personal, das mit den lokalen und nationalen Standards vertraut ist, darf die Speicherkassette auswechseln.
- Schalten Sie die Spannung aus, bevor Sie die Speicherkassette installieren oder herausnehmen.
- Bringen Sie nach dem Herausnehmen der Speicherkassette die Abdeckung wieder an.
- Achten Sie darauf, dass Sie sich beim Einsetzen der Abdeckung oder der Speicherkassette nicht die Finger klemmen.
- Greifen Sie nach dem Entfernen der Abdeckung oder der Speicherkassette NICHT in die Öffnung.

GER

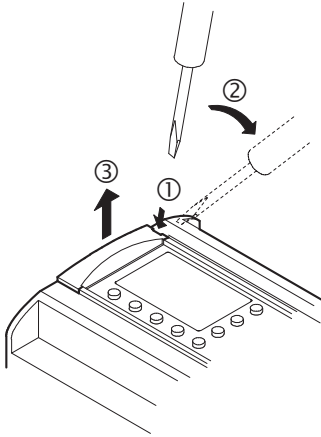


 : Gefahr von Stromschlägen.

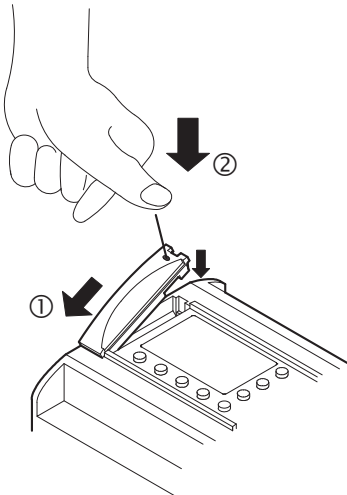
 : Berühren Sie nicht direkt die leitenden Teile des Produkts.

6.1 Installation

- 1) Entfernen der Abdeckung oder Herausnehmen der Speicherkassette



- 2) Anbringen der Abdeckung oder Einsetzen der Speicherkassette



7. AL-232CAB

7.1 Einleitung

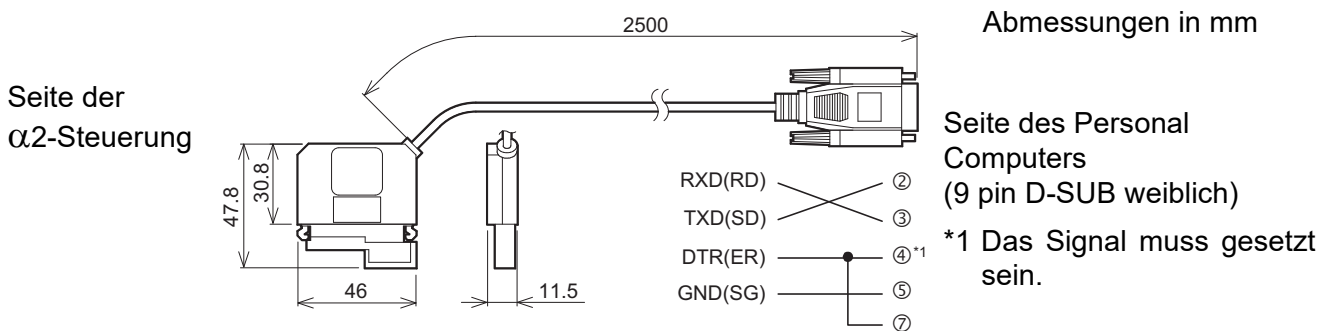
Das Kabel AL-232CAB ist ein RS-232C-Kabel. Es verbindet die α -Steuerung (α , α 2) mit dem Personal Computer, auf dem sich die Programmiersoftware befindet.



Anmerkung

- Das Kabel AL-232CAB kann für keine andere Verbindung verwendet werden.
- Das Kabel AL-232CAB steht montiert 40 mm aus der Bedienoberseite der α 2-Steuerung hervor.

7.1.1 Abmessungen



7.2 Verbindung mit dem Kabel AL-232CAB



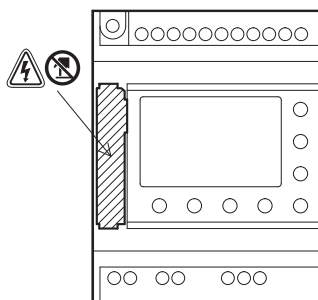
Entfernen Sie die Abdeckung Oder nehmen Sie die Speicherkassette heraus.

- Achten Sie darauf, dass Sie sich beim Entfernen der Abdeckung oder der Speicherkassette mit dem Werkzeug sich nicht die Hand verletzen.



Achtung

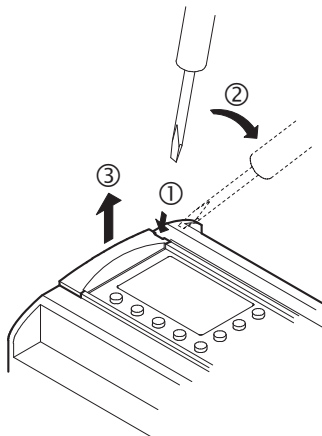
- Schalten Sie die Spannung aus, bevor Sie das Kabel AL-232CAB installieren oder entfernen.
- Bringen Sie die Abdeckung wieder an oder setzen Sie die Speicherkassette ein, nachdem Sie das Kabel AL-232CAB entfernt haben.
- Achten Sie darauf, dass Sie sich beim Einsetzen der Abdeckung oder der Speicherkassette nicht die Finger klemmen.
- Ziehen Sie zum Entfernen des Kabel am Steckergehäuse. Ziehen Sie niemals am Kabel.
- Greifen Sie nach dem Entfernen der Abdeckung oder der Speicherkassette NICHT in die Öffnung.



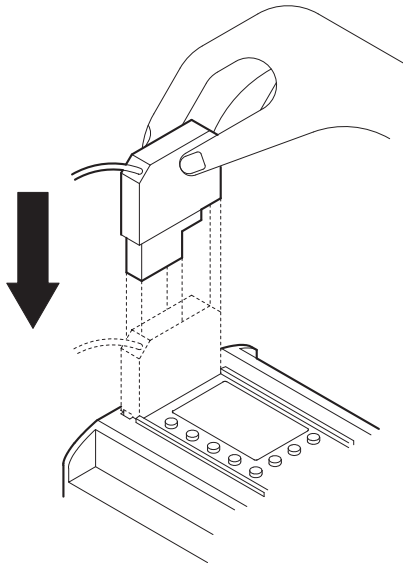
: Gefahr von Stromschlägen.

: Berühren Sie nicht direkt die leitenden Teile des Produkts.

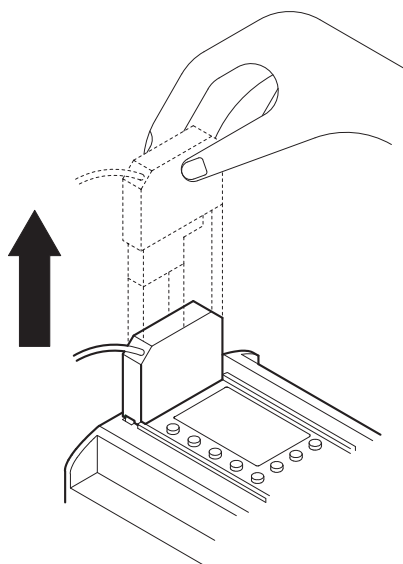
1) Entfernen der Abdeckung oder Herausnehmen der Speicherkassette



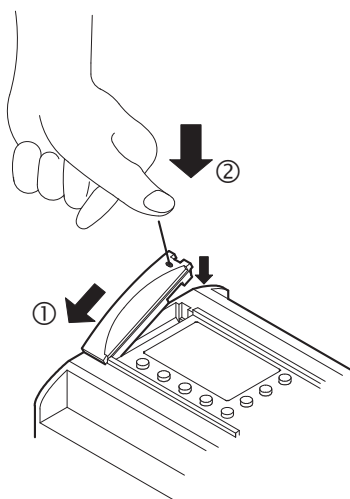
2) Verbinden des Kabels AL-232CAB



3) Entfernen des Kabels AL-232CAB



4) Anbringen der Abdeckung oder Einsetzen der Speicherkassette



GER

MEMO

8. AL2-GSM-CAB

8.1 Einleitung

Das AL2-GSM-CAB wird verwendet, um die α 2-Steuerung mit einem normalen oder einem GSM-Modem zu verbinden. Es kann SMS-Data an ein GSM-Modem zur Weiterleitung an Mobiltelefone oder E-Mail-Adressen übertragen.

Es ermöglicht weiterhin Remote-Überwachungs-Funktionen und mit normalen Modems Programm-Übertragungen.

Weitere Informationen entnehmen Sie bitte dem Programmierhandbuch oder dem Software-Handbuch zur α 2-Steuerung.



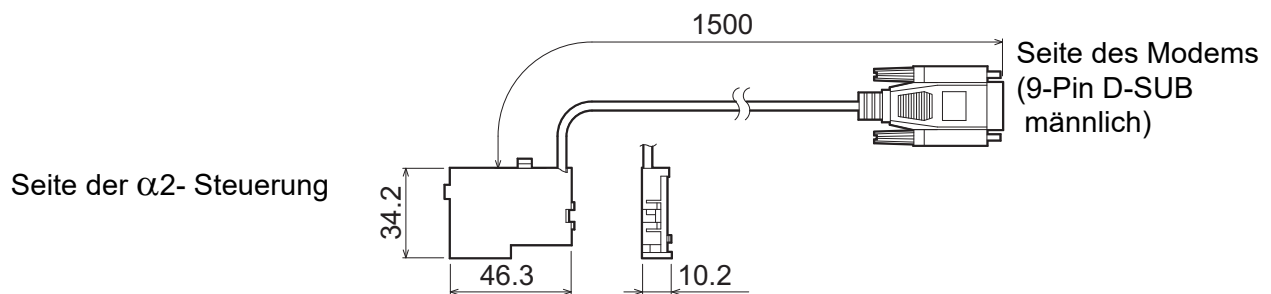
Hinweise:

- Dieses Kabel kann nicht anderweitig verwendet werden.
- Dieses Kabel kann nicht in Verbindung mit der α 2-Steuerung verwendet werden. (Modell: AL2-14MR-*,AL2-24MR-*)
- Eine gleichzeitige Kommunikation über diese Schnittstelle und die Programmierschnittstelle der α 2-Steuerung kann zur Beschädigung des Programms oder einer Fehlfunktion der Steuerung führen.

8.1.1 Abmessungen

Abbildung 8.1: Abmessungen

Abmessungen in mm



8.1.2 Systemkonfiguration bei Verwendung des AL2-GSM-CAB

Abbildung 8.2: Systemkonfiguration mit AL2-GSM-CAB

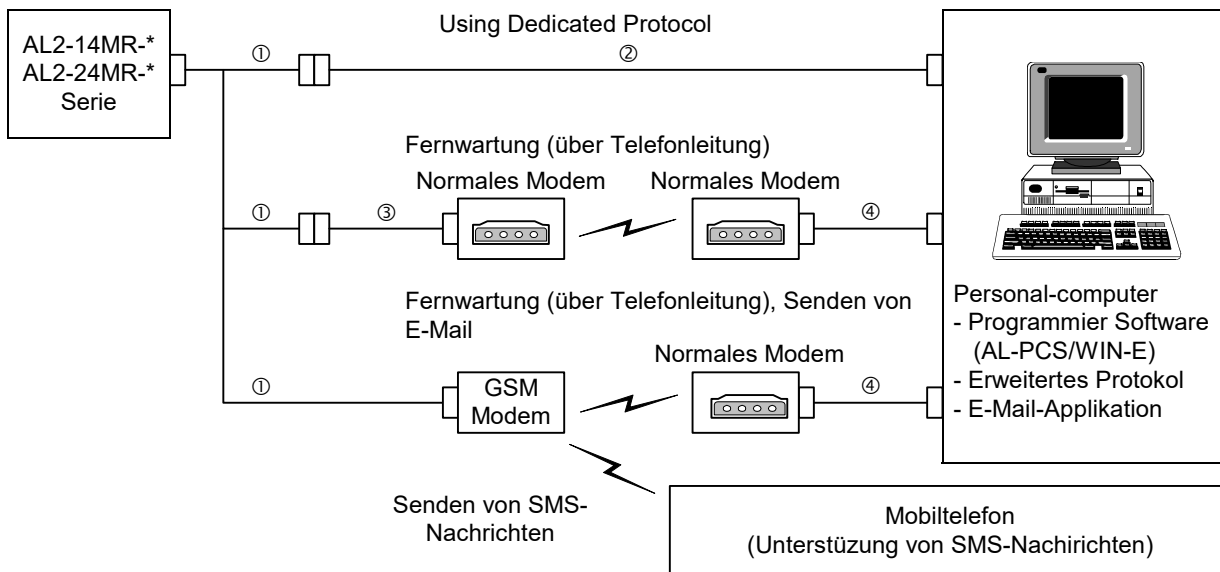
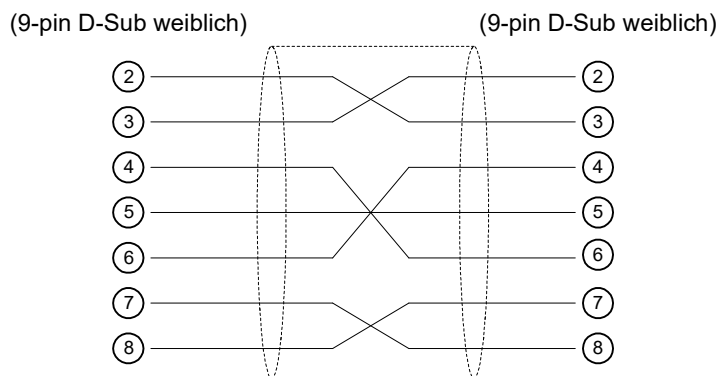


Tabelle 8.1: Systemkonfiguration mit AL2-GSM-CAB

Nummer	zu verwendendes Kabel
1	AL2-GSM-CAB
2	RS-232C serielles Kabel (Vgl. Abb. 8.3)
3	RS-232C Modemkabel (Vgl. Abb. 8.5)
4	RS-232C Modemkabel (bestimmt durch Modemhersteller)

Abbildung 8.3: RS-232C serielles Kabel Pin-Belegung



Anmerkungen:

Die Signale 4 und 7 müssen auf der Seite des PCs auf High-Level eingestellt sein. Sind diese Signale nicht so eingestellt, ist eine Kommunikation mit der α2-Steuerung nicht möglich.

8.2 Installation

Bitte beachten Sie beim Anschluss des AL2-GSM-CAB die Abb. 8.4.

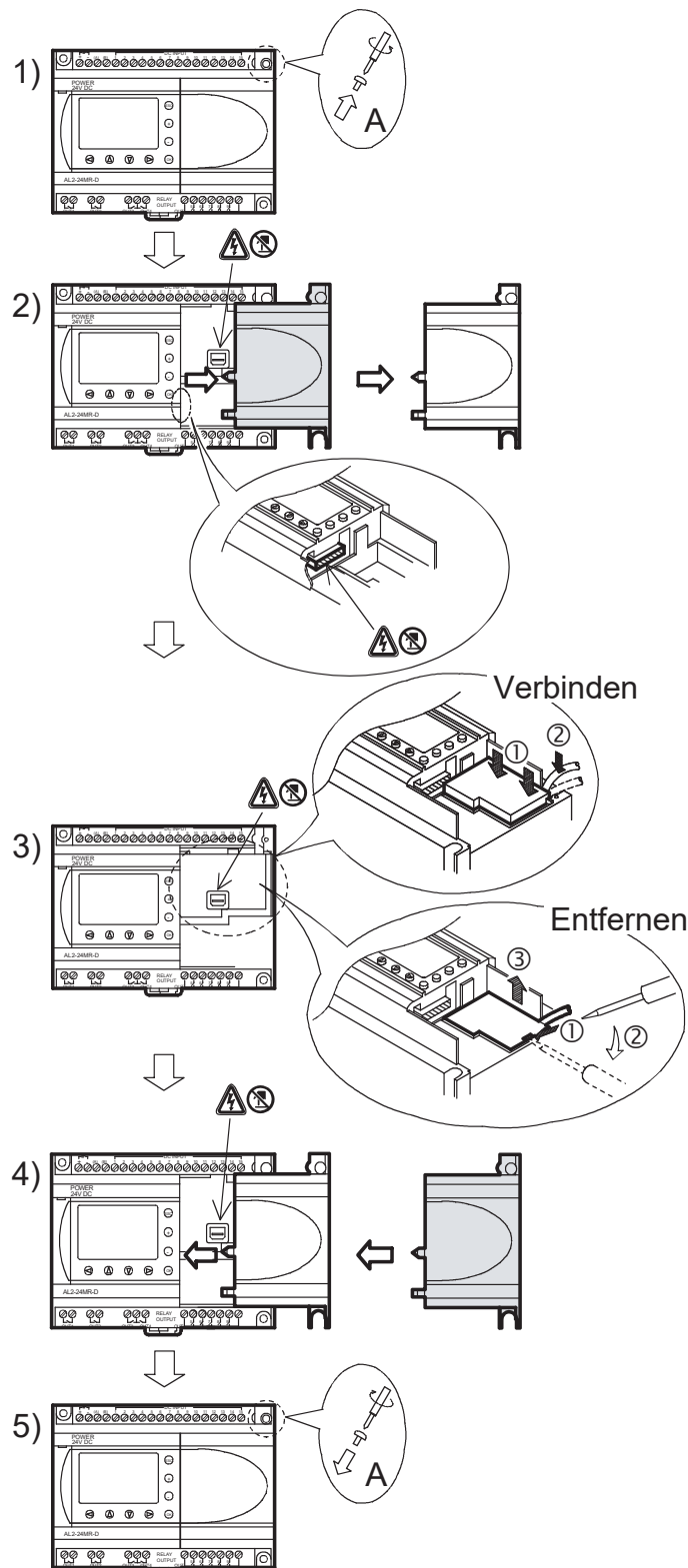


Vorsicht

- Das AL2-GSM-CAB darf nur von Personen installiert oder entfernt werden, die mit den nationalen elektrotechnischen Bestimmungen vertraut sind.
- Schalten Sie die Spannungsversorgung ab, bevor Sie das Kabel anschließen oder entfernen.
- Bringen Sie nach der Installation oder der Deinstallation des AL2-GSM-CAB die Abdeckung wieder an.
- MITSUBISHI ELECTRIC übernimmt unter keinen Umständen die Haftung oder Verantwortung für einen Schaden, der aus einer unsachgemäßen Installation oder Anwendung der Geräte oder des Zubehörs entstanden ist.
- Ziehen Sie nicht an dem Kabel, da dieses dadurch beschädigt werden kann.
- Bei der Kommunikation mit der α 2-Steuerung über ein GSM-Modem muß die Spannungsversorgung beider Geräte gleichzeitig eingeschaltet werden. Werden beide Steuerung nicht gleichzeitig eingeschaltet, kann die α 2-Steuerung nicht über das Modem kommunizieren.
- Trennen Sie alle Anschlüsse von der Spannungsversorgung, bevor Sie die Abdeckung entfernen.

GER

Abbildung 8.4: Installation



- 1) Lösen Sie Schraube 'A' und bewahren Sie sie für spätere Verwendung auf.
- 2) Entfernen Sie vorsichtig die Abdeckung oder das Erweiterungsmodul.
- 3) Stecken Sie das AL2-GSM-CAB an den dafür vorgesehenen Steckplatz und verlegen Sie vorsichtig das Kabel in den dafür vorgesehenen Kanal.
- 4) Bringen Sie die Abdeckung oder das Erweiterungsmodul vorsichtig wieder an. Achten Sie dabei darauf, dass Sie das AL2-GSM-CAB nicht beschädigen.
- 5) Setzen Sie Schraube 'A' wieder ein und befestigen sie mit einem Drehmoment von 0,4 N·m.

: Gefahr von Stromschlägen.

: Berühren Sie nicht direkt die leitenden Teile des Produkts.

8.3 Fernwartung über ein Modem

Weitere Informationen zur Modemininstallation entnehmen Sie bitte dem Programmierhandbuch der α2-Steuerung. Die Programmier-Software (AL-PCS/WIN-E) bietet die leichteste Modemininstallation.

8.3.1 Empfohlene Modems

Die folgenden Modems wurden erfolgreich getestet:

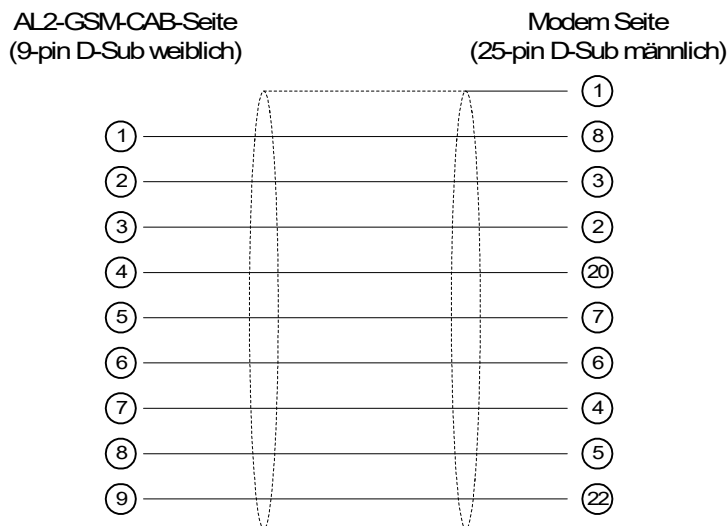
Tabelle 8.2: Getestete Modems

Hersteller	Modelltyp	Modembefehl (AT-Befehl)
3com	SP560V-P	ATE0Q1&B1&D0H0&I0&R1&S0S0=2S15=8&W
OMRON	ME3314	ATE0S0=2Q1&D0S15=8&R1&H0&W
AIWA	PV-AF3360	ATE0S0=2Q1&D0&M5\Q0\J0&W
Siemens	M20T	ATE0S0=2&S0;+IFC=0,0;+CMEE=1;+IPR=9600&W

GER

8.3.2 RS-232C-Kabel zwischen Modem und AL2-GSM-CAB

Abbildung 8.5: RS-232C-Kabelbelegung zwischen Modem und AL2-GSM-CAB



8.3.3 Modemeinstellungen

- 1) PC-Einstellungen
Installieren Sie den korrekten Modemtreiber.
- 2) Modemeinstellungen an der α2-Steuerung
Das Modem der α2-Steuerung wird durch den Modem-Initialisierungsbefehl der Steuerung aktiviert.
 - a) Zu den Modembefehlen (AT-Befehl)
Verwenden Sie den AT-Befehl zur Initialisierung des Modems. Details zu dem AT-Befehl entnehmen Sie bitte dem Handbuch zu dem verwendeten Modem. AT-Befehle für die Auswahl des Modems sind in den Tabellen 8.4 (Normales Modem) und 8.5 (GSM-Modem) aufgeführt.

Tabelle 8.3: Getestete Modems

Hersteller	Modelltyp	Modembefehl (AT-Befehl)
3com	SP560V-P	ATE0Q1&B1&D0H0&I0&R1&S0S0=2S15=8&W
OMRON	ME3314	ATE0S0=2Q1&D0S15=8&R1&H0&W
AIWA	PV-AF3360	ATE0S0=2Q1&D0&M5\Q0\J0&W
Siemens	M20T	ATE0S0=2&S0;+IFC=0,0;+CMEE=1;+IPR=9600&W

Weitere Informationen zur Aktivierung des Modems finden Sie im Programmierhandbuch zur α2-Steuerung.

Verwenden Sie ein Modem, welches sich nicht in der oben aufgeführten Liste befindet, verwenden Sie den AT-Befehl, um folgende Voraussetzungen einzustellen:

Tabelle 8.4: AT-Befehl für Modems (Normales Modem)

Einstellvoraussetzung	Einstellung	Beispieleinstellungen		
		SP560V-P	ME3314	PV-AF3360
Betehlsecho	Aus	E0	E0	E0
Anzahl klingelzeichen bis zum autowatischen Abheben	Zwei	S0=2	S0=2	S0=2
Rückmeldungen des Modems	Keine	Q1	Q1	Q1
DTR-Steuerung	Immer EIN	&D0	&D0	&D0
DSR-Steuerung	Immer EIN	&S0		
Modem Protokol	V.42bis	S15=8	S15=8	&M5
Übertragungsrate	Fest	&B1	\J0	
Terminal-Flusssteuerungsschema	Keine	-&R1	\Q0	
Flusssteuerung der übertrg. Daten	Keine	&H0	&H0	-
Flusssteuerung der empfangenen Daten (Software)	Keine	&I0		
Flusssteuerung der empfangenen Daten (RTS-Steuerung)	Keine	&R1		
Aktuelle Parameter für verwendetes Profil speichern	Speichern in permanenten Speicher	&W	&W	&W

Tabelle 8.5: AT-Befehle für GSM-Modems

Einstellvoraussetzung	Einstellung	Beispiel-einstellung
		M20T
Befehlsecho ermöglichen	Echomodus AUS	E0
Einstellung der Anzahl Rufe vor dem automatischen Antworten	Automatisches Antworten nach zweimaligem Läuten	S0=2
Einstellung des (DSR) Funktionsmodus	DSR immer EIN	&S0
Einstellung der TE-TA lokalen Datenflusssteuerung	<ul style="list-style-type: none"> • Auswahl der Methode, die TE verwendet, wenn Daten von TA empfangen werden: Keine • Auswahl der Methode, die TA verwendet, wenn Daten von TE empfangen werden: Keine 	+IFC=0,0
Fehler im Mobil-Equipment melden	Ergebniscode freigeben und numerischen Wert verwenden	+CMEE=1
Feste lokale Rate festlegen	Baud-Rate: 9600 bps	+IPR=9600
Betriebsart des DCD-Signals *1	DCD-Leitung ist EIN bei Vorhandensein des Datenträgersignals	&C1
Wähle Service-Typ *1	9600 bps (V.32), Asynchron-Modus, nicht-transparent	+CBST=7,0,1
Aktuelle Parameter für verwendetes Profil speichern	Die benutzerdefinierten Einstellungen werden im permanenten Speicher gesichert.	&W

*1 Für das Siemens M20T sind diese Einstellungen nicht erforderlich, da es sie bereits als Grundeinstellungen verwendet. Bei der Verwendung anderer Modems könnten diese Einstellungen erforderlich werden.

b) Aktivierungszeit für das Modem während des Bootens

Die α2-Steuerung besitzt eine Verzögerungsschaltung, die die Übertragung des Modemsbefehls beim Booten von der Steuerung zum Modem verzögert. Die Verzögerung kann auf eine Zeit zwischen 0–10 Sekunden eingestellt werden. Diese Option garantiert eine erfolgreiche Aktivierung des Modems, falls der Bootvorgang des Modems länger dauert als der der α2-Steuerung.

Weitere Informationen zum Modembetrieb entnehmen Sie bitte dem α2 Programmierhandbuch und dem α Software-Handbuch.

GER

MEMO

9. AL2-ASI-BD (AL2-14MR-*, AL2-24MR-*)

Das AL2-ASI-BD Aktor-Sensor-Interface-Modul dient in Verbindung mit α 2 - Steuerungen der Datenkommunikation über ein Aktor-Sensor-Interface (AS-Interface)-Netzwerk.

Weitere Informationen entnehmen Sie bitte dem Programmierhandbuch zur α 2-Steuerung.



Achtung

- Nur speziell ausgebildetes Personal, das mit den nationalen Standards vertraut ist, darf die AL2-ASI-BD auswechseln.
- Schalten Sie die Spannung aus, bevor Sie die AL2-ASI-BD installieren oder herausnehmen.
- Bringen Sie nach dem Herausnehmen der AL2-ASI-BD die Abdeckung wieder an.
- MITSUBISHI ELECTRIC EUROPE B.V. schließt jegliche Haftung für Schäden aus, die durch die Installation oder Verwendung der beschriebenen Produkte zustande kommen.

GER

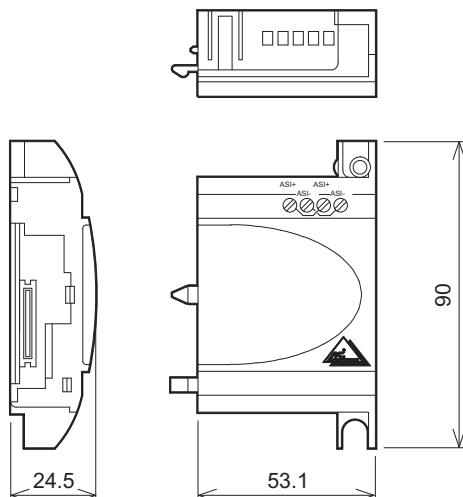
9.1 Einführung

Das AL2-ASI-BD wird auf ein α -Grundmodul aufgesteckt und bildet eine Slave-Station innerhalb des AS-Interface-Netzwerks (4 Eingänge, 4 Ausgänge). Bis zu 31 ASI-Slaves lassen sich in einem AS-Interface-Netzwerk ansteuern. Die Spannungsversorgung erfolgt über den AS-Interface-Bus durch die AS-Interface-Spannungsversorgung. Das Kommunikationssignal wird über die Spannungsversorgung des AS-Interface-Bus gegeben.

9.1.1 Maße

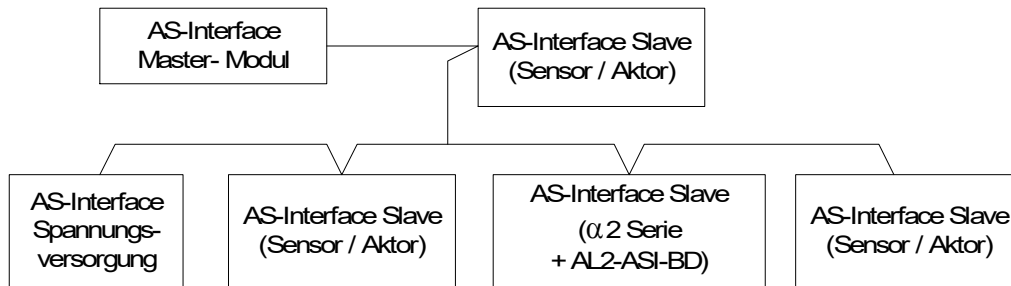
Abbildung 9.1: Maße

Abmessungen in mm



9.1.2 Systemkonfiguration

Abbildung 9.2: Systemkonfiguration



9.2 Technische Daten

Die allgemeinen Daten entnehmen Sie bitte dem Kapitel 2. .

Tabelle 9.1: Leistungsmerkmale Hardware-Kommunikation

Merkmal	Inhalt
Anzahl E/A-Adressen	4 Eingänge (Ein. E01–E04) 4 Ausgänge (Aus. A01–A04)
E/A-Aktualisierungszeit	Max. 5 ms
Netzwerkausdehnung	Max. 100 m
Externe Spannungsversorgung	Typ. 30,5 V DC (AS-Interface-Spannungsversorgung)
Externe Stromaufnahme	max. 40 mA
EC-Richtlinie	EMC
Tests	ASi

Tabelle 9.2: Leistungsmerkmale Software-Kommunikation

Merkmal	Inhalt
Stationsnummer	Einstellung durch Master (Werkseinstellung 0)
E/A-Code	7
ID-Code	F
Daten-Bit	D0–D3 Eingang/Ausgang 01–04 (E01–E04, A01–A04)
Parameter-Bit	P0 Kommunikationsüberwachung (erfolgt werkseitig). *1
	P1,P2,P3 entfällt
System-Bit	M6 "EIN", wenn Kommunikationsfehler des AS-Interface auftritt
	M7 "EIN", wenn Kommunikationsfehler durch AS-Interface-Spannungsabfall auftritt
Kontroll-Bit	N1 ON: Nicht mit dem AS-Interface Netzwerk verbunden OFF: Mit dem AS-Interface Netzwerk verbunden

*1 Eingangssignal-Reset-Funktion (E01–E04) erfolgt, wenn die Kommunikation für mindestens 70 ms unterbrochen ist.

9.3 Anschluss und Installation

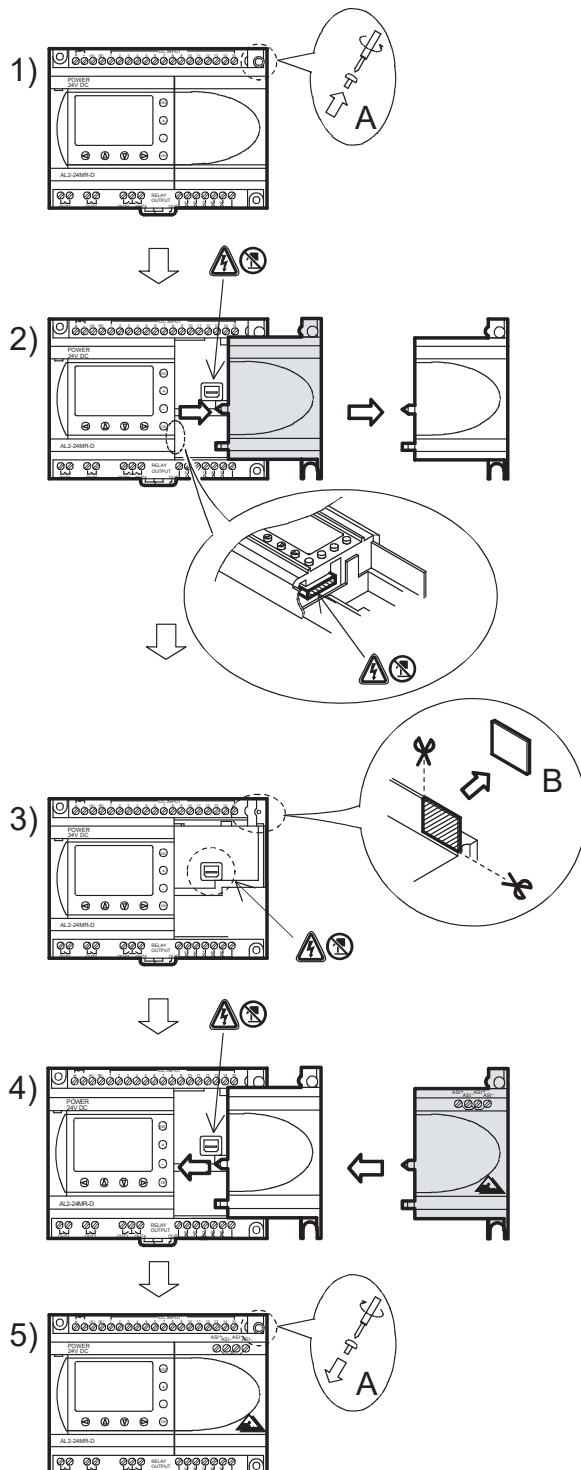
9.3.1 Installation



Achtung

Trennen Sie alle Anschlüsse von der Spannungsversorgung, bevor Sie die Abdeckung entfernen.

Abbildung 9.3: Installation



- 1) Entfernen Sie die Schraube 'A'.
- 2) Entfernen Sie die Abdeckung vorsichtig.
- 3) Schneiden Sie den Bereich 'B' aus dem Grund-modul der α 2-Steuerung aus.
- 4) Stecken Sie das AL2-ASI-BD auf das Grund-modul.
- 5) Ziehen Sie die Schraube 'A' mit einem Drehmoment von 0,4 Nm wieder an.

: Gefahr von Stromschlägen.

: Berühren Sie nicht direkt die leitenden Teile des Produkts.

GER

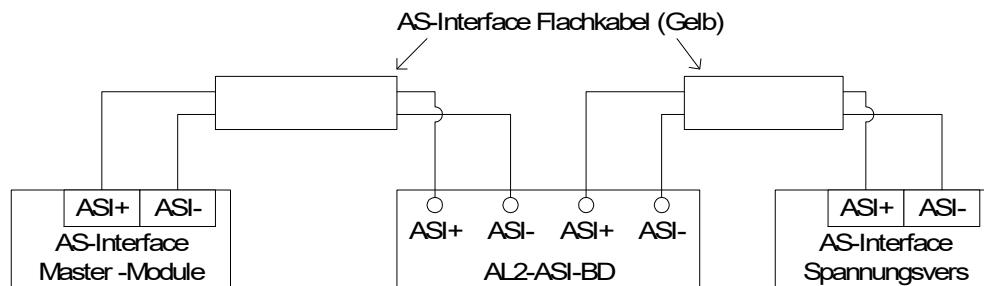
9.3.2 Verdrahtung



Verwenden Sie das AS-Interface-Flachkabel (gelb) zur Verbindung des AL2-ASI-BD mit dem Netzwerk.

Bei Anschluss des AS-Interface-Kabels ziehen Sie die Anschlussklemmen mit einem Anzugmoment von 0,5 ~ 0,6 Nm an.

Abbildung 9.4: Verdrahtung



9.4 Einstellung der Slave-Adresse und Fehlerdiagnose

9.4.1 Einstellung der Slave Adresse

Die Slave-Adresse des AL2-ASI-BD kann entweder durch den AS-Interface-Master oder ein Programmiergerät eingestellt werden. Wird eine neue Slave-Station mit dem AS-Interface-Bus verbunden, weist der Master dieser die unterste freie Adresse zu.

Der Adressbereich reicht von 1 bis 31 und kann nur einer Slave-Station mit der Adresse 0 (Null) zugewiesen werden. Neue Module sind werkseitig auf die Adresse 0 voreingestellt. Falls einem Modul bereits eine andere Adresse als 0 zugewiesen wurde, muss es auf 0 zurückgesetzt werden, bevor es mit dem Netzwerk verbunden wird.

Näheres zur Änderung der Slave-Stationennummer durch den AS-Interface-Master erfahren Sie im jeweiligen Handbuch des verwendeten AS-Interface Master-Moduls.

Es können mehrere Slave-Stationen gleichzeitig im Netzwerk installiert werden. Alle diese Stationen bis auf eine werden als passive Module eingestellt (Einstellung N1=1). Wird das Netzwerk wieder in Betrieb genommen, können die Slave-Stationen einzeln aktiviert werden (Einstellung N1=0). Hierbei weist der Master der Slave-Station die Stationsnummer zu.

9.4.2 Fehlerdiagnose

1) Bei Auftreten eines Kommunikationsfehlers (M6):

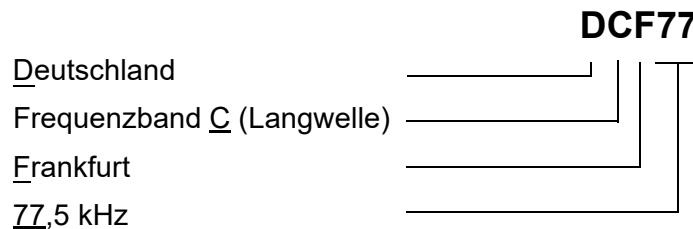
- Überprüfen Sie den Anschluss an den AS-Interface-Master.
- Überprüfen Sie die Slave-Stationennummer.

2) Bei Auftreten eines Fehlers in der Spannungsversorgung (M7)

- Überprüfen Sie den Anschluss des AS-Interface-Kabels an jeder betroffenen Station.
- Überprüfen Sie die AS-Interface-Spannungsversorgung.

10. DCF77-Funkuhr

Mit der DCF77-Funktion kann die integrierte Uhr der α 2-Steuerung automatisch gestellt werden. Dazu werden Signale empfangen und decodiert, die von einem Sender in der Nähe von Frankfurt am Main auf der Frequenz 77,5 kHz ausgestrahlt werden. Das Kürzel „DCF77“ steht für:



GER

10.1 Übersicht

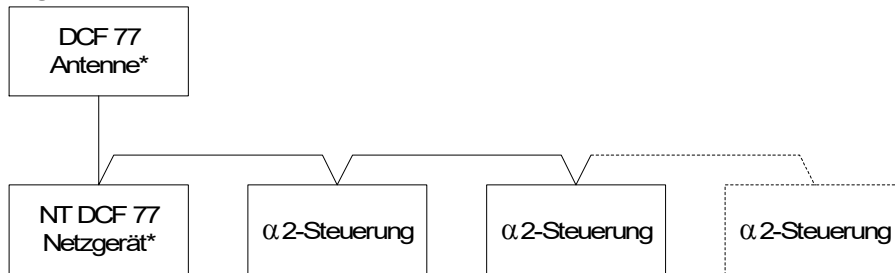
Tabelle 10.1: Funkuhr

Merkmal	Beschreibung
Standort des Senders	Mainflingen, 25 km südlich von Frankfurt/Main
Frequenz	77,5 kHz
Reichweite	2000 km
Codierung	BCD (Binär-Codierte-Dezimalziffer)
Übertragende Daten	Minuten, Stunden, Datum (Tag, Monat, Jahr), Wochentag
Übertragungszeit	Täglich 24 Stunden

Außer bei der 59. Sekunde wird die Amplitude des Trägers am Beginn jeder Sekunde für die Dauer von 100 ms (Binär:0) oder 200 ms (Binär:1) auf 25 % reduziert.

10.2 Systemkonfiguration

Abbildung 10.1:



* Hersteller: Theben AG

In Verbindung mit der α2-Steuerung muss eine DCF77-Antenne der Firma Theben und mindestens ein Theben-Netzteil zur Spannungsversorgung der Antenne verwendet werden. Der Decoder der α2-Steuerung erkennt nur Signale einer DCF77-Antenne der Firma Theben.

Das Netzgerät versorgt die Antenne mit einer Gleichspannung von 12 V. Nur ein Netzgerät der Firma Theben kann zur Spannungsversorgung und Bereitstellung der DCF77-Signale verwendet werden.

Bis zu 10 α2-Steuerungen können an eine Antenne/Netzgerät angeschlossen werden.

10.3 Technische Daten

Die allgemeinen technischen Daten finden Sie in Kapitel 2.

Tabelle 10.2: Theben DCF77-Antenne

Merkmal	Beschreibung
Bezeichnung	DCF77-Antenne 907 0 243
Umgebungstemperatur	-20°C bis +70°C
Schutzart	IP 54
Empfindlichkeit	100 µV/m
Empfangsbereich	ca. 1000 km im Umkreis von Frankfurt/Main
Länge der Anschlussleitung	max. 200 m
Polarität	Keine



Achtung

- Installieren Sie zur Vermeidung von Störungen durch externe Geräte die Theben DCF77-Antenne nicht in der Nähe von Fernsehgeräten, Personal Computern oder Telefonzentralen.

Tabelle 10.3: Theben Netzteil

Merkmal	Beschreibung
Bezeichnung	Netzteil NT DCF 77 907 0 182
Betriebsspannung	230 V AC~ +/-10 %
Frequenz	50-60 Hz
Leistungsaufnahme	max. 3 VA
Länge der Netzzuleitung	max. 200 m (zweiadrige Leitung)
Max. anschließbare Geräte	10

Tabelle 10.3: Theben Netzteil

Merkmal	Beschreibung
Schutzklasse	II entsprechend EN 60335
Schutzart	IP20 entsprechend EN 60529

Tabelle 10.4: Verwendbare Versionen

SPS und Programmier-Software	Verwendbare Version
α2-Steuerung (nur Gleichstromversion)	V2.00 oder höher
VLS-Software	V2.30 oder höher



Achtung

- Eine α2-Steuerung, die direkt an Wechselspannung angeschlossen und versorgt wird, kann nicht zur Auswertung der DCF77-Signale verwendet werden.
- Die DCF77-Signale können zur Decodierung nur an die Analogeingänge einer α2-Steuerung mit Gleichspannungsversorgung angeschlossen werden.

GER

Tabelle 10.5: Verwendete System-Bits

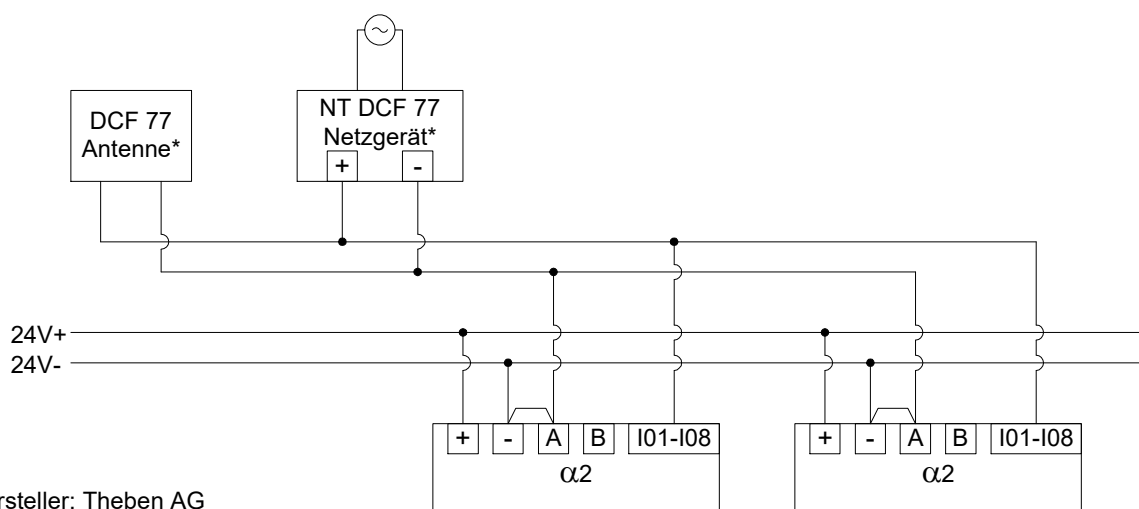
Merkmal	Beschreibung	
System-Bit	M10	Wird während der Decodierung der DCF77-Signale gesetzt
	M11	Beim fehlerfreien Abschluss der Dekodierung der DCF77-Signale wird dieses System-Bit als Impuls gesetzt.
	M15	Wenn bei der Dekodierung der DCF77-Signale ein Fehler aufgetreten ist, wird dieses System-Bit gesetzt.

Nähere Hinweise zur Programmierung entnehmen Sie bitte der Programmieranleitung der α2-Steuerung.

10.4 Anschluss

10.4.1 Verdrahtung

Abbildung 10.2: Anschluss der DCF77-Antenne und des Netzteils



* Hersteller: Theben AG

Die α2-Steuerung muss in „Source“-Konfiguration verdrahtet werden. Bei einem anderen

Anschluss werden die DCF77-Signale an den analogen Eingängen nicht erfasst und dekodiert.

Tabelle 10.6: Bedingungen für den Anschluss

Merkmale	Beschreibung
Verwendbare Eingänge der α2-Steuerung für die Antennensignale	AL2-10MR-D:I01 - I06 AL2-14MR-D,AL2-24MR-D:I01 - I08
Anzahl der α2-Steuerungen pro DCF77-Antenne	10
Max. Länge der Leitung zur Antenne	200 m

10.4.2 DCF77 am α2-Display einstellen

1) Scrollen Sie von dem obersten Menü an „UhrStellen“, und drücken Sie die „OK“-Taste. In den erscheinenden Optionen scrollen Sie an „UhrStellen“, und drücken Sie die „OK“-Taste. Nur eine Option erscheint, wenn die Radiouhr noch nicht aktiviert wurde. Scrollen Sie an „Funkuhr“, und drücken Sie die „OK“-Taste.

```

Funkuhr
» Funkuhr

```

2) In den erscheinenden Optionen scrollen Sie an „DCF77“, und drücken Sie die „OK“-Taste.

```

Funkuhr
» NichtVerw.
   DCF77

```

3) Wählen Sie den α2 Analog-Eingang (I01 bis I08), der das DCF77-Antennensignal überträgt. Weitere Optionen erscheinen nun unter dem Radiouhr-Menü (Radio Clock). Scrollen Sie an „Eingang“, und drücken Sie die „OK“-Taste. *1

```

Funkuhr
Funkuhr
» Eingang
   Zeitabwei.

```

4) Geben Sie den Analog-Eingang (I01 bis I08) mit den [+] / [-]-Tasten ein, und drücken Sie die „OK“-Taste.

```

Funkuhr
Eingang
   I 01

```

5) Führen Sie die Einstellung der Zeitdifferenz zwischen Frankfurt Deutschland und dem Standort des Controllers durch. Diese Zeitspanne wird zu der empfangenen Zeit addiert. Scrollen Sie an „Zeitabwei.“, und drücken Sie die „OK“-Taste.

```

Funkuhr
Funkuhr
Eingang
» Zeitabwei.

```

6) Wählen Sie die Zeitzonendifferenz in Inkrementen von einer halben Stunde, indem Sie die [+] / [-]-Tasten verwenden. Drücken Sie die „OK“-Taste, um die aktuelle Zeitzonendifferenz zu wählen.

```

Funkuhr
Zeitabwei.
   0.0hrs

```

7) Das Decodieren des Zeitsignals kann manuell gestoppt oder neu gestartet werden. Scrollen Sie an „Handbetrieb“, und drücken Sie die „OK“-Taste.

```

Funkuhr
Eingang
Zeitabwei.
» Handbetrieb

```

- 8) Drücken Sie die „OK“- oder „ESC“-Taste, um eine Ausführungs- bzw. eine Abbruchoperation auszuführen.

Handbetrieb Stop Akt.
OK od. ESC

Hinweis

- *1 Der α2 Controller wechselt zwischen „Kein Signal“ und „Funkuhr“, wenn das DCF77-Signal nicht empfangen und decodiert wird.

10.4.3 Automatischer Start

Die Decodierungsphase der Radiouhr DCF77 startet automatisch, wenn die folgenden Bedingungen erfüllt sind.

- 1) Die α2 Echtzeituhr (RTC = Real Time Clock) erreicht 1:00 Uhr morgens.
- 2) Die α2 Echtzeituhr (RTC = Real Time Clock) erzeugt einen Fehler, nachdem die Stromversorgung des Controllers eingeschaltet wurde.

GER

10.4.4 Automatischer Stopp

Die Decodierungsphase der Radiouhr DCF77 stoppt automatisch, wenn die folgenden Bedingungen erfüllt sind.

- 1) Die α2 Echtzeituhr (RTC = Real Time Clock) wurde richtig konfiguriert, und eine gültige Zeit wurde empfangen.
- 2) Keine gültige Zeit wurde während 30 Minuten von wiederholten Empfangsversuchen empfangen.

10.4.5 Verifizierung der empfangenen Zeit

Die decodierte Zeit der Radiouhr DCF77 wird auf ihre Gültigkeit geprüft, beruhend auf den drei folgenden Prüfungen:

- 1) Paritätsprüfung: Die DCF77 Zeitcodedaten sind durch 3 (gerade) Paritätsbit geschützt. Das erste Paritätsbit schützt die Minutendaten, das zweite Paritätsbit schützt die Stundendaten, und das dritte Paritätsbit schützt die Kalendertags-, Wochentags-, Monats- und Jahresdaten.
- 2) Datenbereichprüfung:
 - a) $0 \leq \text{Minuten} \leq 59$
 - b) $0 \leq \text{Stunden} \leq 23$
 - c) $1 \leq \text{Tage} \leq 31$
 - d) $1 \leq \text{Monate} \leq 12$
 - e) $0 \leq \text{Jahre} \leq 59$
- 3) Zeitdifferenzprüfung: Die Differenz zwischen den beiden empfangenen Zeiten muss gleich 1 Minute sein, damit auf die die Gesamtzeit (in Minuten seit 01/01/1990) jeder Zeit Bezug genommen werden kann.



Vorsicht

- Wenn „Start Act.“ verwendet wird, um die DCF77 Decodierung manuell zu starten, muss der Anwender den Status von M10 (Decodierungs-Aktivierungskennzeichen) 30 Minuten nach dem Start der Decodierung überprüfen. Falls M10 ausgeschaltet ist, wird die DCF77 Decodierung ohne Fehler beendet. Ist M10 weiterhin eingeschaltet, dann liegt ein Problem entweder mit der Verdrahtung oder mit der Verfügbarkeit des Signals am Verwendungsort vor. Der Anwender sollte beide möglichen Ursachen überprüfen.

MEMO

11. AL2-2DA (AL2-14MR-*, AL2-24MR-*)

Das Analog-Ausgangsmodul AL2-2DA wird zusammen mit einer α 2-Steuerung eingesetzt, um an zwei analogen Ausgängen jeweils eine Spannung oder einen Strom auszugeben.

Weitere Informationen finden Sie in der Programmieranleitung zur α 2-Steuerung und in der Installationsanleitung zum Analog-Ausgangsmodul AL2-2DA.



Achtung

- Nur speziell ausgebildetes Personal, das mit den lokalen und nationalen Sicherheitsstandards der Automatisierungstechnik vertraut ist darf die elektrische Verdrahtung der Geräte vornehmen.
- Die α 2-Steuerung wurde nicht für lebenserhaltende oder selbstüberwachende Anwendungen entwickelt.
- MITSUBISHI ELECTRIC übernimmt unter keinen Umständen die Haftung oder Verantwortung für einen Schaden, der aus einer unsachgemäßen Installation oder Anwendung der Geräte oder des Zubehörs entstanden ist.
- Achten Sie auf eine korrekte Installation des AL2-2DA mit der α 2-Steuerung, um Fehlfunktionen zu vermeiden.

GER

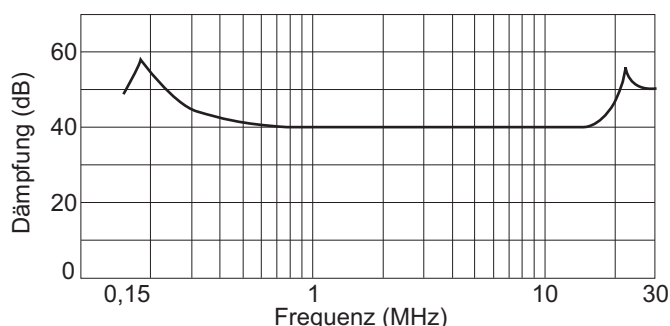


EMC-Vorsichtsmaßnahmen

Das Analog-Modul der Serie α 2 von Mitsubishi Electric entspricht den genannten europäischen Normen und Vorschriften. Mitsubishi Electric möchten jedoch auf die folgenden Punkte hinweisen (für optimales Leistungsvermögen der delikaten Mess- und Controller-Ausgabegeräte):

- Da Analog-Module aufgrund ihrer Natur sehr empfindlich sind, sollte deren Verwendung sorgfältig erwogen werden. Anwender mit systemgebundenen Kabeln (integriert mit Sensoren und Stellantrieben) sollten die Installationsanforderungen der Hersteller beachten.
- Mitsubishi Electric empfiehlt die Verwendung von abgeschirmten Kabeln. Falls KEIN anderer EMC-Schutz vorhanden ist, dann können die Anwender in Gebieten der Schwerindustrie temporäre Fehler von nicht mehr als +10%/-10% erleiden. Die Mitsubishi Electric weist jedoch darauf hin, dass bei entsprechenden EMC-Vorsichtsmaßnahmen mit allgemein guter EMC-Praxis für das gesamte Steuersystem der Anwender die normalen Fehler erwartet werden können, wie sie in den separaten Produktanleitungen angegeben sind.
- Achten Sie darauf, einen Entstörfilter am Stromkabel anzubringen. Die EMV-Tests von Mitsubishi wurden an einem Entstörfilter durchgeführt, der die Gleichtakt-Dämpfungseigenschaften (Abb. 11.1) von 50 dB Durchschnittswert bei 150 kHz bis 2 MHz aufweist.

Abbildung 11.1: Dämpfungseigenschaften des Entstörfilters



11.1 Übersicht

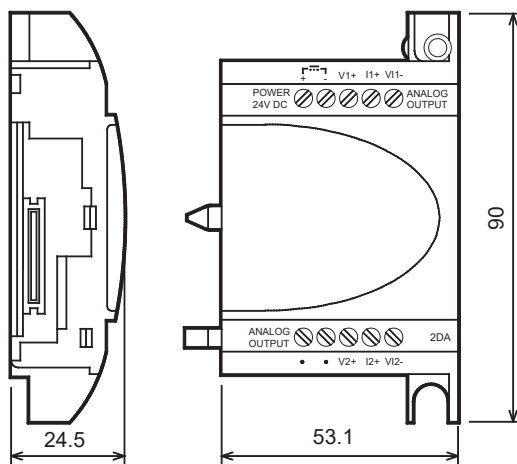
Das Analog-Ausgabemodul AL2-2DA (nachfolgend „AL2-2DA“ genannt) ist in einem Controller der Serie α 2 zu installieren und sollte für die Umwandlung eines Digitalwertes in ein Analog-Ausgangssignal mit einer Spannung (0 bis 10 V) oder einer Stromstärke (4 bis 20 mA) verwendet werden.

Das AL2-2DA kann in Verbindung mit dem Funktionsblock „Analoger Ausgang“ (AO) der α 2-Steuerung verwendet werden. Nähere Hinweise zur Programmierung finden Sie in der Programmieranleitung zur α 2-Steuerung.

11.1.1 Äußere Abmessungen

Abbildung 11.2: Äußere Abmessungen

Einheit: mm



11.1.2 Systemkonfiguration

Die allgemeinen technischen Daten finden Sie in Kapitel 2.

Tabelle 11.1: Verwendbare Versionen

SPS und Programmier-Software	Verwendbare Version
AL2-14MR-*,AL2-24MR-*	V2.00 oder höher
VLS-Software	V2.30 oder höher



Anmerkung

- 1) An eine α 2-Steuerung kann nur ein AL2-2DA angeschlossen und nur ein Erweiterungsmodul kann zusammen mit dem Grundgerät betrieben werden.
- 2) Das AL2-2DA kann nicht zusammen mit einem AL2-4EX-A2, AL2-4EX, AL2-ASI-BD, AL2-4EYR oder AL2-4EYT betrieben werden.
- 3) Das AL2-2DA kann nicht an eine α -Steuerung angeschlossen werden.

11.2 Technische Daten

Tabelle 11.2: Spannungsversorgung

Merkmal	Beschreibung
Interne Spannungsversorgung	Durch das α2-Grundgerät
Versorgung der Analogausgänge	24 V DC (+20 %, -15 %)
Max. Leistungsaufnahme	1,5 W
Sicherung <Leistung>/<Typ>	86 V DC 1,6 A / Anlauf-Widerstand

Tabelle 11.3: Technische Daten der Hardware

Merkmal	Techn. Daten	
	Spannung	Strom
Analoger Ausgangsbereich	0 - 10 V DC (Externe Last: 5 kΩ - 1 MΩ)	4 - 20 mA (Externe Last: < 500 Ω)
Digitaler Eingang	0 bis 4000	0 bis 2000
Auflösung	2,5 mV (10 V / 4000)	8 μA ((20 - 4) mA / 2000)
Genauigkeit	+/- 1% über den gesamten Bereich (0 - 10 V: +/- 0,1V)	+/- 1% über den gesamten Bereich (4 - 20 mA: +/- 0,16 mA)
Wandlungszeit	20 ms (10 ms x 2 Kanäle)	
Isolation	Durch Optokoppler	
Wandlungscharakteristik		

GER



Anmerkungen

- 1) Bei einem externen Lastwiderstand von 5 kΩ bis 1 MΩ die Genauigkeit „+/- 1 %“. (Der werksseitige Kalibrierungspunkt liegt bei einer externen Last von 10 kΩ.) Falls der Lastwiderstand kleiner als 5 kΩ ist, dann wird die Ausgangsspannung kleiner als der richtige Wert.
- 2) Bei der Ausgabe eines Stromes darf der Lastwiderstand nicht größer als 500 Ω sein. Überschreitet der Wert des Lastwiderstands 500Ω, liegt der Ausgangsstrom unter dem korrekten Wert.

Tabelle 11.4: Verwendete System-Bits

Merkmal	Beschreibung
System-Bit	M16 Wird gesetzt, wenn die externe Versorgungsspannung des AL2-2DA eingeschaltet ist.

11.3 Installation und Verdrahtung

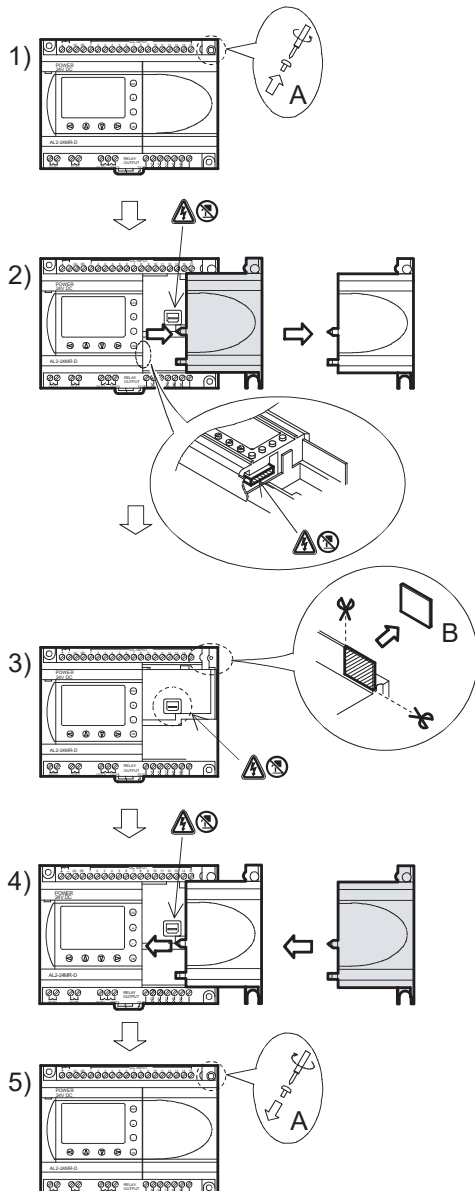
11.3.1 Installation



Achtung

- Schalten Sie vor der Installation des AL2-2DA die Versorgungsspannung der Steuerung aus.
- Installieren Sie die Steuerung nicht in Bereichen, wo sie den folgenden Umwelteinflüssen ausgesetzt ist: Übermäßiger Staubanfall, Leitende Stäube, ätzende oder entzündliche Gase, Feuchtigkeit oder Regen, übermäßige Hitze, andauernde Erschütterungen oder übermäßige Vibrationen.
- Die α 2-Steuerung muss in einen Schaltschrank nach DIN 43880 oder einen Steuerkasten eingebaut werden.
- Lassen Sie zur Kühlung des Geräts zwischen der Unter- und Oberseite der α 2-Steuerung und den Wänden des Schaltschranks einen Freiraum von mind. 10 mm.

Abbildung 11.3: Installation



- 1) Entfernen Sie die Schraube "A".
- 2) Entfernen Sie vorsichtig die Abdeckung des Erweiterungssteckers.
- 3) Schneiden Sie den Bereich 'B' aus dem Grundmodul der α 2-Steuerung aus.
- 4) Montieren Sie das Erweiterungsmodul auf den Baugruppenträger.
- 5) Ziehen Sie die Schraube 'A' mit einem Drehmoment von 0,4 Nm fest.

: Gefahr von Stromschlägen.

: Berühren Sie nicht direkt die leitenden Teile des Produkts.

11.3.2 Verdrahtung



Achtung

- Schalten Sie vor allen Verdrahtungsarbeiten die Versorgungsspannung aus.
- Die Signale der einzelnen Ausgänge sollten in getrennten Kabeln geführt werden.
- Verwenden Sie zum Anschluss Leitungen mit starren oder flexiblen Drähten (für Crimp-Anschluss), die sorgfältig verdreht sind.
Verwenden Sie keine flexible Drähte mit verlötetem Ende an der α2-Steuerung.
- Die Länge der Leitungen für die Ausgangssignale darf 30 m nicht überschreiten.
- Um eine Beschädigung der Drähte zu vermeiden, drehen Sie die Klemmschrauben mit einem Drehmoment von 0,5 bis 0,6 Nm an.
- Die Anschlüsse müssen abgedeckt werden, um eine Berührung von spannungsführenden Teilen zu vermeiden.

GER

Abbildung 11.4: Verdrahtung zur Ausgabe einer Spannung

Hinweis: Die Anschlüsse "+" und "-" sind nicht umkehrbar.

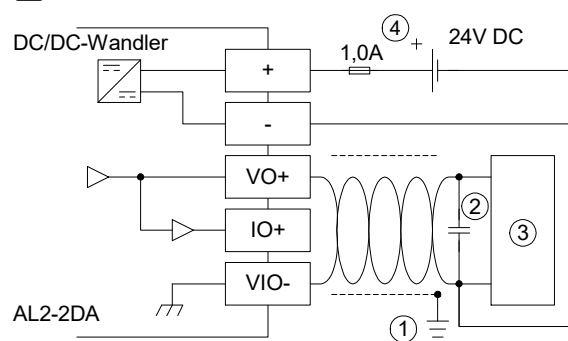


Abbildung 11.5: Verdrahtung zur Ausgabe eines Stromes

Hinweis: Die Anschlüsse "+" und "-" sind nicht umkehrbar.

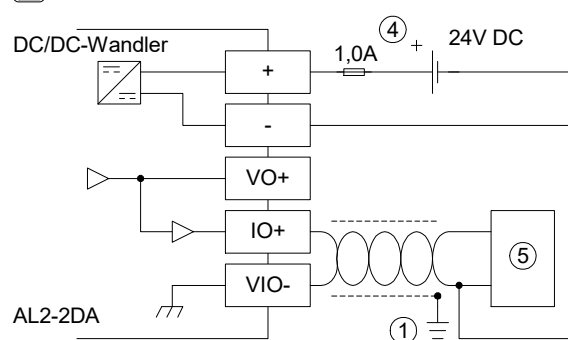


Tabelle 11.5: Hinweise zur Verdrahtung

Item	Description
1	Erdungswiderstand 100 Ω oder weniger.
2	Falls es zu übermäßigem Rauschen kommt, schließen Sie bitte einen Kondensator mit 0,1 bis 0,47 µF an.
3	Externe Ausrüstung wie Inverter usw.
4	Externe 24-V-Gleichstromversorgung
5	Externe Ausrüstung wie Aufzeichnungsmessgerät usw.

11.3.3 Fehlerdiagnose

Falls ein Fehler bei der externen Spannungsversorgung (M16) auftritt:

- Prüfen Sie, ob die Versorgungsspannung korrekt an den „+“- und „-“-Klemmen des AL2-2DA angeschlossen ist.
- Messen Sie die Spannung der angeschlossenen Spannungsquelle. Das AL2-2DA muss mit einer Gleichspannung von 24 V versorgt werden.

12. AL2-2PT-ADP

Das Pt100-Adapter-Modul AL2-2PT-ADP wandelt das Signal eines Pt100-Temperatursensors in eine Spannung von 0 bis 10 V zur weiteren Bearbeitung im Grundgerät um. Weitere Informationen finden Sie in der Installationsanleitung zum AL2-2PT-ADP.



Achtung

- Nur speziell ausgebildetes Personal, das mit den lokalen und nationalen Sicherheitsstandards der Automatisierungstechnik vertraut ist darf die elektrische Verdrahtung der Geräte vornehmen.
- Die α 2-Steuerung wurde nicht für lebenserhaltende oder selbstüberwachende Anwendungen entwickelt.
- MITSUBISHI ELECTRIC übernimmt unter keinen Umständen die Haftung oder Verantwortung für einen Schaden, der aus einer unsachgemäßen Installation oder Anwendung der Geräte oder des Zubehörs entstanden ist.

GER



EMC-Vorsichtsmaßnahmen

Das Analog-Modul der Serie α 2 von Mitsubishi Electric entspricht den genannten europäischen Normen und Vorschriften. Mitsubishi Electric möchten jedoch auf die folgenden Punkte hinweisen (für optimales Leistungsvermögen der delikaten Mess- und Controller-Ausgabegeräte):

- Da Analog-Module aufgrund ihrer Natur sehr empfindlich sind, sollte deren Verwendung sorgfältig erwogen werden. Anwender mit systemgebundenen Kabeln (integriert mit Sensoren und Stellantrieben) sollten die Installationsanforderungen der Hersteller beachten.
- Mitsubishi Electric empfiehlt die Verwendung von abgeschirmten Kabeln. Falls KEIN anderer EMC-Schutz vorhanden ist, dann können die Anwender in Gebieten der Schwerindustrie temporäre Fehler von nicht mehr als +10%/-10% erleiden. Die Mitsubishi Electric weist jedoch darauf hin, dass bei entsprechenden EMC-Vorsichtsmaßnahmen mit allgemein guter EMC-Praxis für das gesamte Steuersystems der Anwender die normalen Fehler erwartet werden können, wie sie in den separaten Produktanleitungen angegeben sind.

12.1 Übersicht

Das Adapter-Modul AL2-2PT-ADP wandelt das Signal eines Pt100-Temperatursensors in eine Spannung von 0 bis 10 V um, die im Grundgerät weiter verarbeitet wird.

12.1.1 Äußere Abmessungen

Abbildung 12.1: Äußere Abmessungen

Einheit: mm

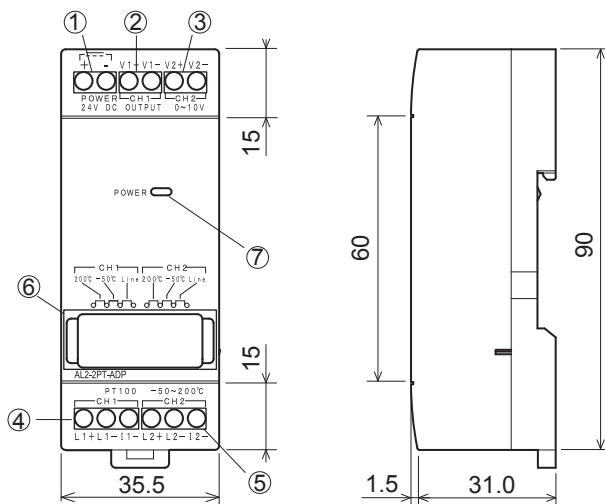
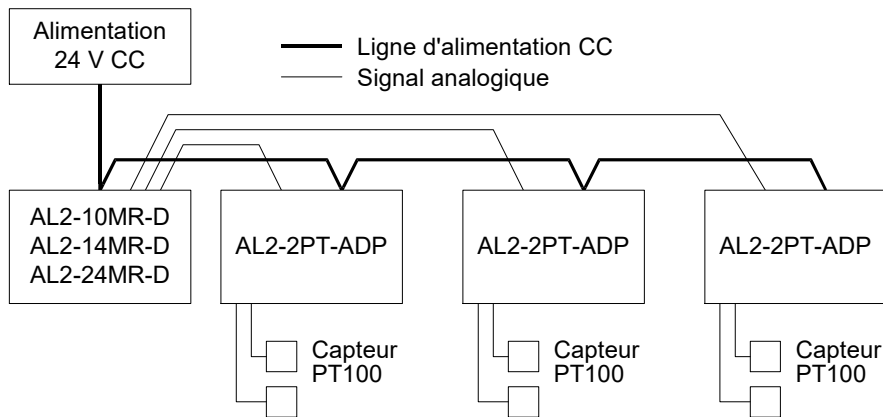


Tabelle 12.1:

Item	Description
1	+24 V DC Eingangsklemme
2	Kanal 1: Spannungsausgang
3	Kanal 2: Spannungsausgang
4	PT100 Widerstandsthermometer, Kanal 1
5	PT100 Widerstandsthermometer, Kanal 2
6	Jumper zur Einstellung des Moduls
7	Power-LED zur Anzeige der Betriebsbereitschaft

12.2 Systemkonfiguration

Abbildung 12.2:



Die allgemeinen technischen Daten finden Sie in Kapitel 2.

Tabelle 12.2: Verwendbare Versionen

SPS und Programmier-Software	Verwendbare Version
α2-Steuerung (nur Gleichstromversion)	V2.00 oder höher
VLS-Software	V2.30 oder höher



Anmerkung

Das AL2-2PT-ADP kann nicht an eine α-Steuerung angeschlossen werden

12.3 Technische Daten

Tabelle 12.3: Allgemeine technische Daten

Merkmal	Techn. Daten
Temperatur beim Betrieb	(-25) - 55 °C
Lagertemperatur	(-30) - 70 °C
Luftfeuchtigkeit	35 bis 85 % relative Luftfeuchtigkeit, keine Kondensation
Vibrationsfestigkeit bei DIN-Schienen-Montage	Entspricht IEC 68-2-6; 10 – 57 Hz: 0,075 mm konstante Amplitude, 57 – 150 Hz: 9,8 m/s ² Beschleunigung, Ablenkzyklus für X, Y, Z: 10 x (80 min. in all 3 Richtungen)
Stoßfestigkeit	Entspricht IEC 68-2-27: 147m/s ² Beschleunigung für 11 ms, 3 mal in alle 3 Richtungen X, Y und Z
Störspannungsfestigkeit	1000 Vpp für 1µs, 30 - 100 Hz, getestet mit Störspannungssimulator
Spannungsfestigkeit	500 V Wechselstrom~ für eine Minute zwischen allen Endgeräten und dem Steuerkasten nach DIN43880 oder entsprechend.
Isolationswiderstand	7 MΩ 500 V Wechselstrom~ zwischen allen Endgeräten und dem Schaltkasten nach DIN43880 oder entsprechend.
Umgebungsbedingungen	Frei von aggressiven Gasen

GER

Tabelle 12.4: Spannungsversorgung

Merkmal	Techn. Daten
Spannungsversorgung	24 V DC (+20 %, -15 %)
Max. Leistungsaufnahme	1,0 W

Tabelle 12.5: Übereinstimmung mit Normen und Richtlinien

Merkmal		Norm/Richtlinie
EC-Richtlinie	EMC	EN61131-2: 2007
UL/cUL-Zertifizierung		Dateinummer: E95239

Tabelle 12.6: Technische Daten der Hardware

Merkmal	Techn. Daten	
	Grad Celsius (°C)	Grad Fahrenheit (°F)
Temperatur-sensor	Platin-Widerstandsthermometer Pt100 (100 Ω), 3-Draht-Anschluss, Temperaturkoeffizient: IEC 751	
Kompensierter Bereich	-50 °C - 200 °C	-58 °F - 392 °F
Genauigkeit	±1,5 % (bei allen Temperaturen) und ±1,0 % bei 25 °C	±1,5 % (bei allen Temperaturen) und ±1,0 % bei 77 °F
Auflösung	0,5 °C	
Wandlungszeit	20,5 ms	
Isolation	Keine Isolierung zwischen Kanälen (Eingang/Ausgang) und Stromversorgung.	

Tabelle 12.6: Technische Daten der Hardware

Merkmal	Techn. Daten	
	Grad Celsius (°C)	Grad Fahrenheit (°F)
Wandlungscharakteristik		

Tabelle 12.7: Verwendete System-Bits

Merkmal		Beschreibung	AL2-10MR-D	AL2-14MR-D AL2-24MR-D
System-Bit	M17	Wird bei einem Sensorfehler an I01 gesetzt	✓	✓
	M18	Wird bei einem Sensorfehler an I02 gesetzt	✓	✓
	M19	Wird bei einem Sensorfehler an I03 gesetzt	✓	✓
	M20	Wird bei einem Sensorfehler an I04 gesetzt	✓	✓
	M21	Wird bei einem Sensorfehler an I05 gesetzt	✓	✓
	M22	Wird bei einem Sensorfehler an I06 gesetzt	✓	✓
	M23	Wird bei einem Sensorfehler an I07 gesetzt	—	✓
	M24	Wird bei einem Sensorfehler an I08 gesetzt	—	✓

12.4 Installation und Verdrahtung

12.4.1 Installation

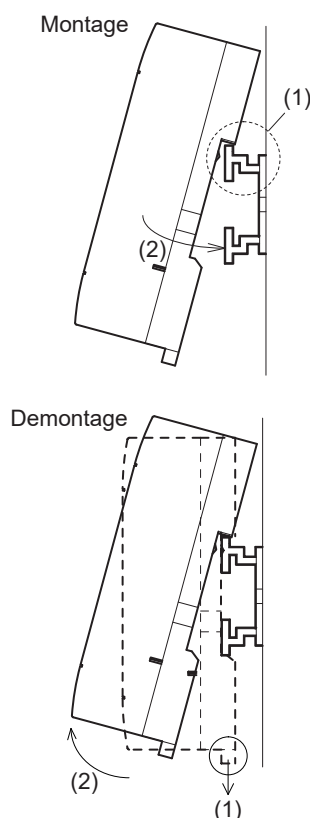


Achtung

- Die Geräte dürfen den folgenden Umgebungsbedingungen nicht ausgesetzt werden: Umgebungen mit einem hohen Grad an leitfähigen Stäuben, Korrosion, entzündbaren Gasen, Hoher Luftfeuchtigkeit, Regen, direkte Sonnenbestrahlung, große Hitze, starke Schockwellen und Vibrationen.
- Die Anschlüsse müssen abgedeckt werden, um eine Berührung von spannungsführenden Teilen zu vermeiden.
- Die α 2-Steuerung und das AL2-2PT-ADP müssen in einen Schaltschrank nach DIN 43880 oder einen Steuerkasten eingebaut werden. Das AL2-2PT-ADP muss durch eine Abdeckung vor dem Eindringen von Fremdkörpern geschützt werden.
- Zur Kühlung muss zwischen der oberen und unteren Seite des AL2-2PT-ADP und anderen Geräten ein Abstand von 10 mm eingehalten werden.
- Die maximale Entfernung zwischen dem Controller der Serie α 2 und dem AL2-2PT-ADP sollte 3 m oder weniger betragen.
- Das Netzkabel sollte kürzer als 10 m sein.
- Ein Sensor mit einer Nennspannung von 500 V oder mehr sollte verwendet werden, wenn der Sensor in der Nähe von leitendem Material angeordnet ist.

GER

Abbildung 12.3: Installation



Das Modul kann auf eine DIN-Schiene (35 mm, DIN EN 50022) montiert werden. Zur Demontage ziehen Sie an den mit einer Feder versehenen Riegel und nehmen das Modul von der Schiene.

- 1) Montage
Setzen Sie das AL2-2PT-ADP mit der oberen Seite auf die DIN-Schiene (1) und drücken Sie das Modul auf die Schiene (2).
- 2) Demontage
Ziehen Sie den Riegel nach unten (1) und entfernen Sie das AL2-2PT-ADP.

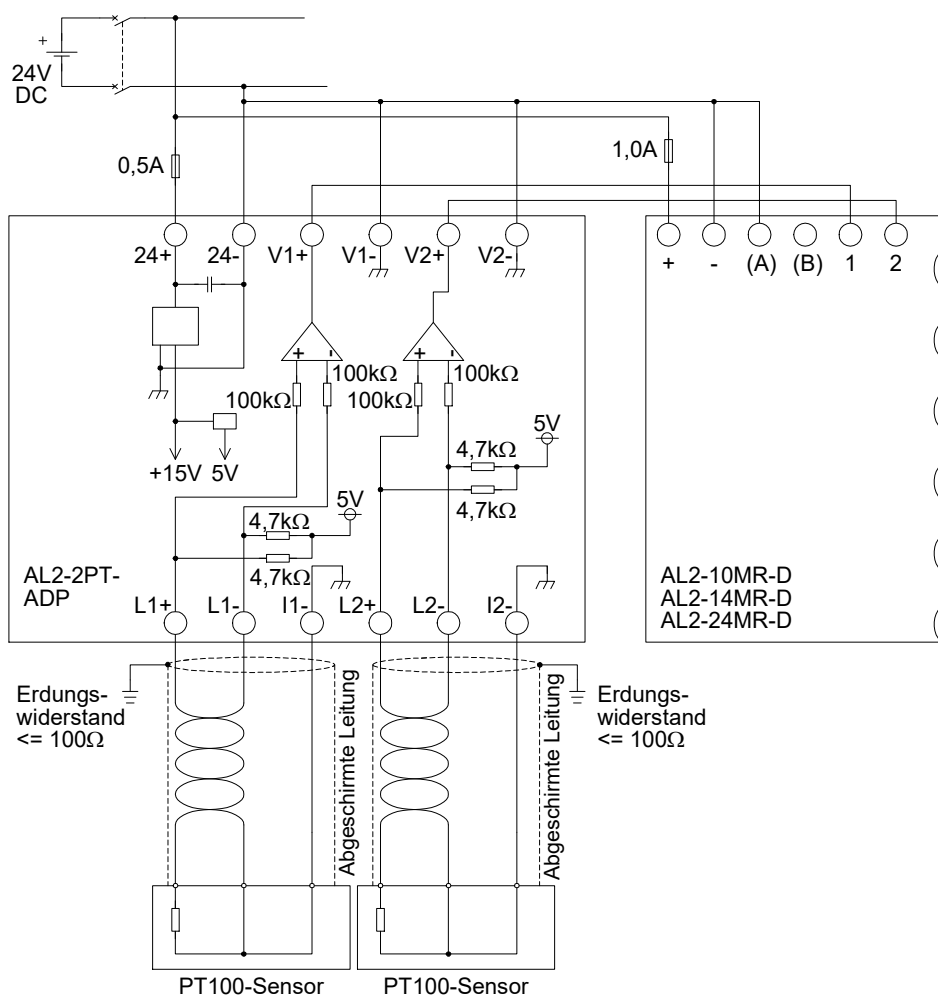
12.4.2 Verdrahtung



Achtung

- Verwenden Sie ein isoliertes Netzgerät, und schalten Sie vor allen Verdrahtungsarbeiten die Spannung ab
- Die Ein- und Ausgangssignale dürfen nicht durch das gleiche Kabel oder den gleichen Kabelbaum geführt werden.
- Die Länge der Leitungen für Eingangssignale (vom Sensor zum AL2-2PT-ADP) darf 10 m und die der Leitungen für Ausgangssignale darf 3 m nicht überschreiten
- Verwenden Sie zum Anschluss Leitungen mit starren oder flexiblen Drähten (für Crimp-Anschluss), die sorgfältig verdreht sind.
Schließen Sie keine flexible Drähte mit verlötetem Ende am AL2-2PT-ADP an.
- Drehen Sie die Klemmschrauben mit einem Drehmoment von 0,5 bis 0,6 Nm an, um eine Beschädigung der Drähte zu vermeiden.
- Vor der Verdrahtung zur Einstellung von Offset und Verstärkung am AL2-2PT-ADP muss die Versorgungsspannung ausgeschaltet werden.

Abbildung 12.4: Anschluss

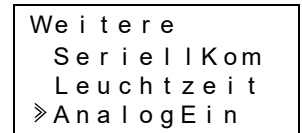


12.4.3 Wahl der Maßeinheit für die Temperatur

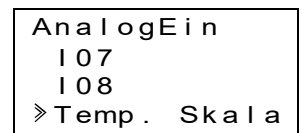
1) Schalten Sie die Versorgungsspannung der α2-Steuerung ein und wählen Sie im Hauptmenü „Weitere“.



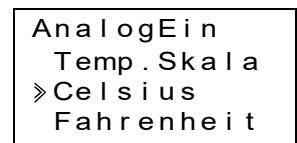
2) Im Menü „Weitere“ wählen Sie „AnalogEIN“.



3) Im Menü „AnalogEIN“ wählen Sie „Temp. Skala“.



4) Wählen Sie mit der OK-Taste zwischen „Celsius“ und „Fahrenheit“



Die Maßeinheit kann nur gemeinsam für beide Kanäle gewählt werden.



Die Werte im Kalibrieremenü erscheinen unabhängig von der gewählten Maßeinheit in Grad Celsius, weil auch die Kontakte für die Steckbrücken des AL2-2PT-ADP in dieser Einheit beschriftet sind.

GER

12.4.4 Abgleich des Offset



Hinweis

Falls die Verstärkungseinstellung beendet ist, dann müssen die Schritte 3 bis 7 nicht ausgeführt werden.

- 1) Schalten Sie vor der Kalibrierung von Kanal 1 die Versorgungsspannung der α2-Steuerung und des AL2-2PT-ADP aus, klemmen Sie den Temperaturfühler ab und verbinden Sie L1- mit I1-. L1+ bleibt unbeschaltet. Die Stifte L1- bis I1- und L1+ sollten nicht angeschlossen werden.
- 2) Entfernen Sie die Abdeckung der Steckbrücken und stecken Sie die Brücken auf die Kontakte, die mit „-50 °C“ markiert sind (siehe folgende Abbildung).



Vorsicht

Der Überbrückungsdraht ist richtig zu installieren, da es anderenfalls zu elektrischem Kontakt kommen kann.

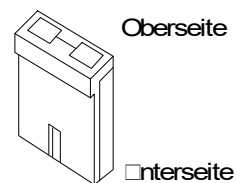
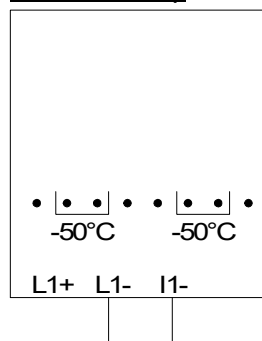
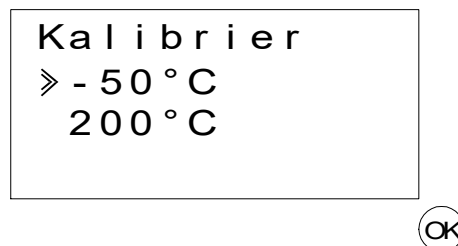


Abbildung 12.5: Abgleich des Offset beim AL2-2PT-ADP

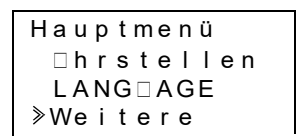
Hardware-Setup



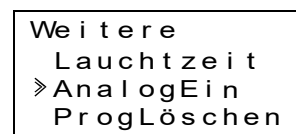
Steuerungsgerät-Setup



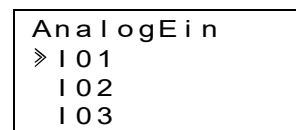
- 3) Schalten Sie die Steuerung ein und wählen Sie bei gestoppter SPS das Menü „Weitere“.



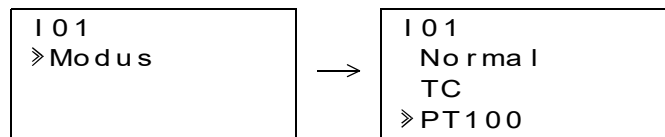
- 4) Im Menü „Weitere“ wählen Sie „AnalogEin“.



- 5) Wählen Sie den Eingang, an dem das AL2-2PT-ADP angeschlossen ist.



- 6) Konfigurieren Sie den Eingang für die Temperaturmessung mit dem AL2-2PT-ADP, indem Sie „Modus“ und anschließend „PT100“ wählen.



- 7) Nach der Einstellung von „PT100“, wählen Sie „Kalibrier.“ im Menü „AnalogEIN“.



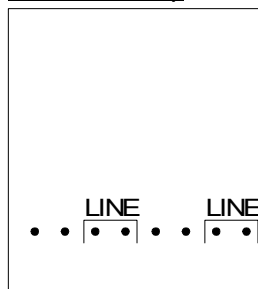
GER

- 8) Wählen Sie „-50°C“ im Menü „Kalibrier.“ (siehe Abb. 12.5). Nun sollte die Meldung „OK“ auf der Anzeige erscheinen. Falls das nicht der Fall ist, befolgen Sie bitte die Hinweise zur Fehlerdiagnose in Kap. 12.4.7. Damit ist der Offset-Abgleich für Kanal 1 beendet. Um den Offset für Kanal 2 abzugleichen, wiederholen Sie die oben aufgeführten Schritte, verbinden aber L2- mit I2- und schließen an L2+ nichts an.

Nach der Kalibrierung werden die Steckbrücken auf die „LINE“-Kontakte gesteckt:

Abbildung 12.6: Position der Steckbrücken nach der Kalibrierung

Hardware-Setup



Nach dem Abgleich des Offset muss auch die Verstärkung abgeglichen werden. Dieser Vorgang ist im folgenden Kapitel beschrieben.

12.4.5 Abgleich der Verstärkung



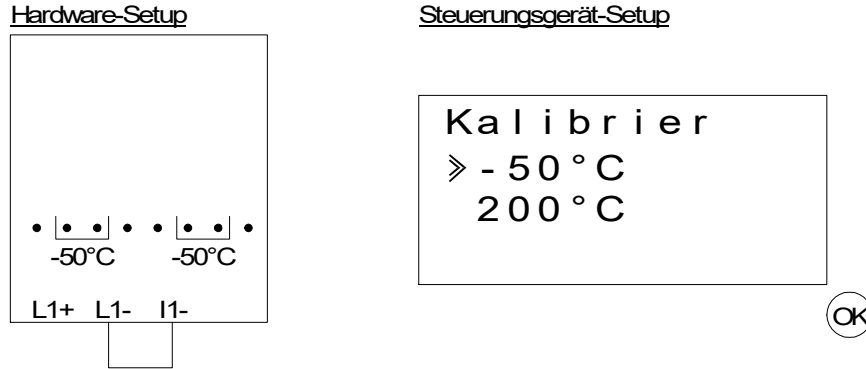
Hinweis

Falls die Offseiteinstellung beendet ist, dann müssen die Schritte 3 bis 4 nicht ausgeführt werden.

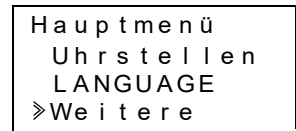
- 1) Vor der Kalibrierung der Verstärkung von Kanal 1 schalten Sie die Versorgungsspannung der α2-Steuerung und des AL2-2PT-ADP aus, klemmen den Temperaturfühler ab und verbinden Sie L1- mit I1-. L1+ bleibt unbeschaltet. Die Stifte L1- bis I1- und L1+ sollten nicht angeschlossen werden.

- 2) Entfernen Sie die Abdeckung der Steckbrücken und stecken Sie die Brücken wie in der folgenden Abbildung dargestellt auf die Kontakte, die mit „200 °C“ markiert sind.

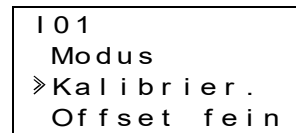
Abbildung 12.7: Abgleich der Verstärkung beim AL2-2PT-ADP



- 3) Schalten Sie die Steuerung ein und wählen Sie bei gestoppter SPS das Menü „Weitere“.

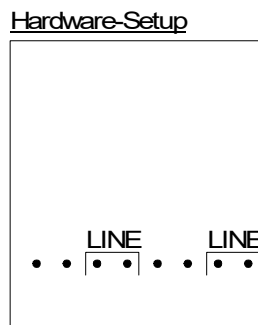


- 4) Nachdem Sie dem PT100-Modus gewählt haben (siehe Beschreibung des Offset-Abgleichs), wählen Sie „Kalibrier.“ im Menü „AnalogEin“.



- 5) Wählen Sie „200 °C“ im Menü „Calibrate“ (siehe Abb. 12.5). Nun sollte die Meldung „OK“ auf der Anzeige erscheinen. Falls das nicht der Fall ist, befolgen Sie bitte die Hinweise zur Fehlerdiagnose in Kap. 12.4.7. Damit ist der Abgleich der Verstärkung für Kanal 1 beendet. Um die Verstärkung für Kanal 2 abzugleichen, wiederholen Sie die oben aufgeführten Schritte, verbinden aber L2- mit I2- und schließen an L2+ nichts an. Nach der Kalibrierung werden die Steckbrücken auf die „LINE“-Kontakte gesteckt:

Abbildung 12.8: Position der Steckbrücken nach der Kalibrierung



Bei einem Abgleich der Verstärkung muss auch der Offset abgeglichen werden. Dieser Vorgang ist im Kapitel 12.4.4 beschrieben.

12.4.6 Feinabgleich des Offset



Der Feinabgleich sollte nur ausgeführt werden, nachdem der Offset und die Verstärkung abgeglichen wurden.

1) Wählen Sie im Hauptmenü das Menü „Weitere“.

```
Hauptmenü
Uhrstellen
LANGUAGE
»Weitere
```

2) Im Menü „Weitere“ wählen Sie „AnalogEin“.

```
Weitere
Lauchtzeit
»AnalogEin
ProgLöschen
```

GER

3) Im Menü „AnalogEin“ wählen Sie einen Eingang, der als PT100-Eingang konfiguriert ist.

```
AnalogEin
I 01
»I 02: PT100
I 03: TC
```

4) Im Menü zur Einstellung der Analogeingänge wählen Sie „Offset fein“.

```
I 02
Modus
Kalibrier.
»Offset fein
```

5) Geben Sie mit Hilfe der „+“- und „-“-Taste einen Wert von -15,5 °C bis 15,5 °C (-27,9 °F bis 27,9 °F) ein. Nach der Eingabe beenden Sie den Feinabgleich durch Betätigung der „OK“-Taste.

```
I 02
Offset fein
0.0 °C
```

12.4.7 Fehlerdiagnose

Falls die Eingangsspannung größer als 11 V oder gleich 0 V ist, werden die folgenden System-Bits gesetzt:

Tabelle 12.8:

System-Bit	Beschreibung	AL2-10MR-D	AL2-14MR-D AL2-24MR-D
M17	0: Kein Fehler 1: Fehler bei Eingang I01	✓	✓
M18	0: Kein Fehler 1: Fehler bei Eingang I02	✓	✓
M19	0: Kein Fehler 1: Fehler bei Eingang I03	✓	✓
M20	0: Kein Fehler 1: Fehler bei Eingang I04	✓	✓
M21	0: Kein Fehler 1: Fehler bei Eingang I05	✓	✓
M22	0: Kein Fehler 1: Fehler bei Eingang I06	✓	✓
M23	0: Kein Fehler 1: Fehler bei Eingang I07	—	✓
M24	0: Kein Fehler 1: Fehler bei Eingang I08	—	✓

Falls eines der oben aufgeführten System-Bits gesetzt ist, prüfen Sie

- ob ein Temperatursfühler angeschlossen ist.
- ob die Leitung zum Temperatursfühler unterbrochen ist.
- die Temperatur im zulässigen Bereich ist
- das AL2-2PT-ADP mit Spannung versorgt wird.

Falls bei der Einstellung von Offset und Verstärkung statt eines "OK" eine Fehlermeldung erscheint, prüfen Sie bitte die Ursache.

- Das AL2-2PT-ADP wird mit Spannung versorgt.
- Das AL2-2PT-ADP ist korrekt mit der α 2-Steuerung verbunden.
- Der Eingang, an dem das AL2-2PT-ADP angeschlossen ist, wurde zur Kalibrierung ausgewählt.
- Die Eingänge L1- und I1- des AL2-2PT-ADP sind kurzgeschlossen.
- Die Steckbrücke befindet sich entweder auf der -50 °C- oder der 200 °C-Position.
- Es ist eine Eingabe im Kalibrieremenü ausgewählt, die sich auf die Position der Steckbrücke bezieht ("-50°C" oder "200°C").

13. AL2-2TC-ADP

Das Thermoelement-Adapter-Modul AL2-2TC-ADP wandelt die mit einem Thermoelement vom Typ K erfasste Temperatur in eine Spannung von 0 bis 10 V zur weiteren Bearbeitung im Grundgerät um. Weitere Informationen finden Sie in der Installationsanleitung zum AL2-2TC-ADP.



Achtung

- Nur speziell ausgebildetes Personal, das mit den lokalen und nationalen Sicherheitsstandards der Automatisierungstechnik vertraut ist darf die elektrische Verdrahtung der Geräte vornehmen.
- Die α 2-Steuerung wurde nicht für lebenserhaltende oder selbstüberwachende Anwendungen entwickelt.
- MITSUBISHI ELECTRIC übernimmt unter keinen Umständen die Haftung oder Verantwortung für einen Schaden, der aus einer unsachgemäßen Installation oder Anwendung der Geräte oder des Zubehörs entstanden ist.

GER



EMC-Vorsichtsmaßnahmen

Das Analog-Modul der Serie α 2 von Mitsubishi Electric entspricht den genannten europäischen Normen und Vorschriften. Mitsubishi Electric möchten jedoch auf die folgenden Punkte hinweisen (für optimales Leistungsvermögen der delikaten Mess- und Controller-Ausgabegeräte):

- Da Analog-Module aufgrund ihrer Natur sehr empfindlich sind, sollte deren Verwendung sorgfältig erwogen werden. Anwender mit systemgebundenen Kabeln (integriert mit Sensoren und Stellantrieben) sollten die Installationsanforderungen der Hersteller beachten.
- Mitsubishi Electric empfiehlt die Verwendung von abgeschirmten Kabeln. Falls KEIN anderer EMC-Schutz vorhanden ist, dann können die Anwender in Gebieten der Schwerindustrie temporäre Fehler von nicht mehr als +10%/-10% erleiden. Die Mitsubishi Electric weist jedoch darauf hin, dass bei entsprechenden EMC-Vorsichtsmaßnahmen mit allgemein guter EMC-Praxis für das gesamte Steuersystem der Anwender die normalen Fehler erwartet werden können, wie sie in den separaten Produktanleitungen angegeben sind.

13.1 Übersicht

Das Thermoelement-Adapter-Modul AL2-2TC-ADP wird zur Wandlung von Temperaturen in eine Spannung von 0 bis 10 V eingesetzt. Zur Temperaturmessung dient ein Thermoelement vom Typ K. Der Spannungswert kann im Grundgerät weiter verarbeitet werden.

13.1.1 Äußere Abmessungen

Abbildung 13.1: Äußere Abmessungen

Einheit: mm

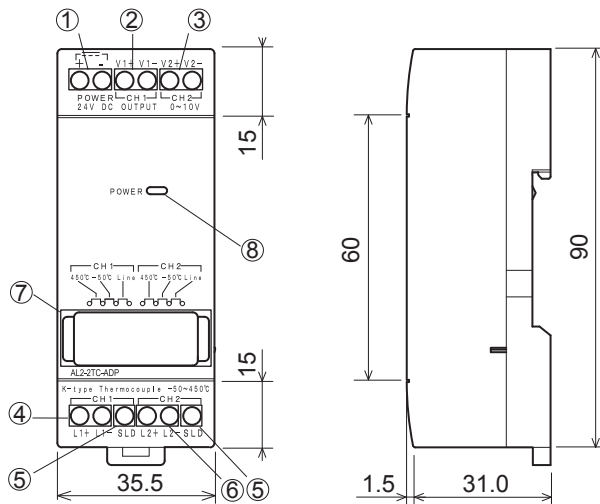
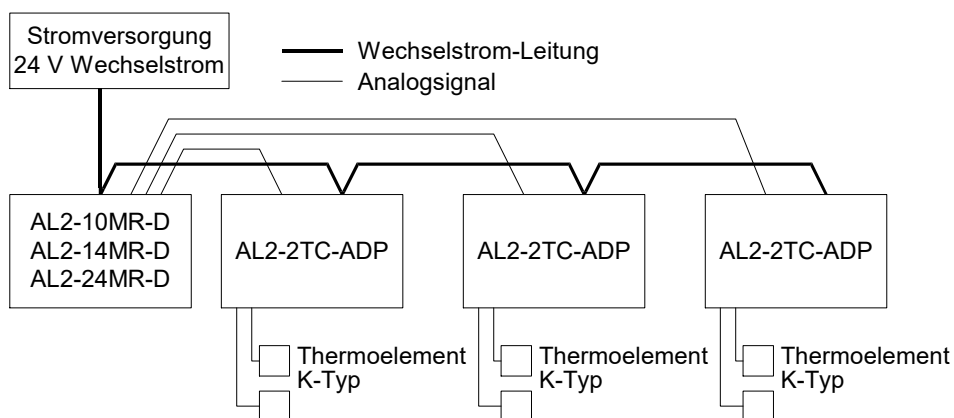


Tabelle 13.1:

Item	Description
1	+24 V DC Eingangsklemme
2	Kanal 1: Spannungsausgang
3	Kanal 2: Spannungsausgang
4	Kanal 1: Anschluss für Thermoelement Typ K
5	Masseanschluss für die Abschirmung
6	Kanal 2: Anschluss für Thermoelement Typ K
7	Jumper zur Einstellung des Moduls
8	Power-LED zur Anzeige der Betriebsbereitschaft

13.2 Systemkonfiguration

Abbildung 13.2:



Die allgemeinen technischen Daten finden Sie in Kapitel 2.

Tabelle 13.2: Verwendbare Versionen

SPS und Programmier-Software	Verwendbare Version
α2-Steuerung (nur Gleichstromversion)	V2.00 oder höher
VLS-Software	V2.30 oder höher



Anmerkung

Das AL2-2TC-ADP kann nicht an eine α-Steuerung angeschlossen werden

13.3 Technische Daten

Tabelle 13.3: Allgemeine techn. Daten

Merkmal	Techn. Daten
Temperatur beim Betrieb	(-25) - 55 °C
Lagertemperatur	(-30) - 70 °C
Luftfeuchtigkeit	35 bis 85 % relative Luftfeuchtigkeit, keine Kondensation
Vibrationsfestigkeit bei DIN-Schienen-Montage	Entspricht IEC 68-2-6; 10 – 57 Hz: 0,075 mm konstante Amplitude, 57 – 150 Hz: 9,8 m/s ² Beschleunigung, Ablenkzyklus für X, Y, Z: 10 x (80 min. in all 3 Richtungen)
Stoßfestigkeit	Entspricht IEC 68-2-27: 147m/s ² Beschleunigung für 11 ms, 3 mal in alle 3 Richtungen X, Y und Z
Störspannungsfestigkeit	1000 Vpp für 1µs, 30 - 100 Hz, getestet mit Störspannungssimulator
Spannungsfestigkeit	500 V Wechselstrom~ für eine Minute zwischen allen Endgeräten und dem Steuerkasten nach DIN43880 oder entsprechend.
Isolationswiderstand	7 MΩ 500 V Wechselstrom~ zwischen allen Endgeräten und dem Schaltkasten nach DIN43880 oder entsprechend.
Umgebungsbedingungen	Frei von aggressiven Gasen

GER

Tabelle 13.4: Spannungsversorgung

Merkmal	Techn. Daten
Spannungsversorgung	24 V DC (+20 %, -15 %)
Max. Leistungsaufnahme	0,5 W

Tabelle 13.5: Übereinstimmung mit Normen und Richtlinien

Merkmal	Norm/Richtlinie
EC-Richtlinie EMC	EN61131-2: 2007
UL/cUL-Zertifizierung	Dateinummer: E95239

Tabelle 13.6: Technische Daten der Hardware

Merkmal	Techn. Daten	
	Grad Celsius (°C)	Grad Fahrenheit (°F)
Temperatur-sensor	Isoliertes Thermoelement Typ K (IEC 584-1 1977, IEC 584-2 1982)	
Kompensierter Bereich	-50 °C - 450 °C	-58 °F - 842 °F
Genauigkeit	±2,0 % (bei allen Temperaturen) und ±1,5 % bei 25 °C	±2,0 % (bei allen Temperaturen) und ±1,5 % bei 77 °F
Auflösung	1 °C	
Wandlungszeit	20,5 ms	
Isolation	Keine Isolierung zwischen Kanälen (Eingang/Ausgang) und Stromversorgung.	

Tabelle 13.6: Technische Daten der Hardware

Merkmal	Techn. Daten	
	Grad Celsius (°C)	Grad Fahrenheit (°F)
Wandlungscharakteristik	<p>Detailed description: A graph showing the conversion characteristic for Celsius. The vertical axis is labeled 'Digital' and the horizontal axis is labeled 'Temperatur (Typ K)'. A solid line represents the conversion. Key points are marked: (-70°C, -70), (-50°C, -50), (+450°C, +450), and (+470°C, +470). Dotted lines connect these points to the axes.</p>	<p>Detailed description: A graph showing the conversion characteristic for Fahrenheit. The vertical axis is labeled 'Digital' and the horizontal axis is labeled 'Temperatur (Typ K)'. A solid line represents the conversion. Key points are marked: (-94°F, -94), (-58°F, -58), (+842°F, +842), and (+878°F, +878). Dotted lines connect these points to the axes.</p>

Tabelle 13.7: Verwendete System-Bits

Merkmal	Beschreibung	AL2-10MR-D	AL2-14MR-D AL2-24MR-D	
System-Bit	M17	Wird bei einem Sensorfehler an I01 gesetzt	✓	✓
	M18	Wird bei einem Sensorfehler an I02 gesetzt	✓	✓
	M19	Wird bei einem Sensorfehler an I03 gesetzt	✓	✓
	M20	Wird bei einem Sensorfehler an I04 gesetzt	✓	✓
	M21	Wird bei einem Sensorfehler an I05 gesetzt	✓	✓
	M22	Wird bei einem Sensorfehler an I06 gesetzt	✓	✓
	M23	Wird bei einem Sensorfehler an I07 gesetzt	—	✓
	M24	Wird bei einem Sensorfehler an I08 gesetzt	—	✓

13.4 Installation und Verdrahtung

13.4.1 Installation

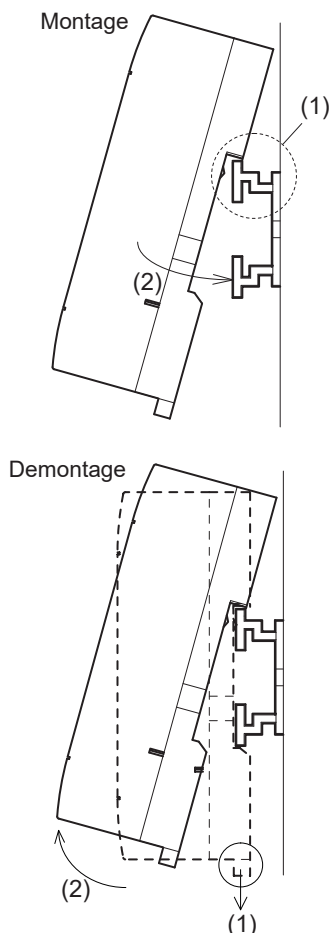


Achtung

- Die Geräte dürfen den folgenden Umgebungsbedingungen nicht ausgesetzt werden: Umgebungen mit einem hohen Grad an leitfähigen Stäuben, Korrosion, entzündbaren Gasen, Hoher Luftfeuchtigkeit, Regen, direkte Sonnenbestrahlung, große Hitze, starke Schockwellen und Vibrationen.
- Die Anschlüsse müssen abgedeckt werden, um eine Berührung von spannungsführenden Teilen zu vermeiden.
- Die α 2-Steuerung und das AL2-2TC-ADP müssen in einen Schaltschrank nach DIN 43880 oder einen Steuerkasten eingebaut werden. Das AL2-2TC-ADP muss durch eine Abdeckung vor dem Eindringen von Fremdkörpern geschützt werden.
- Zur Kühlung muss zwischen der oberen und unteren Seite des AL2-2TC-ADP und anderen Geräten ein Abstand von 10 mm eingehalten werden.
- Die maximale Entfernung zwischen dem Controller der Serie α 2 und dem AL2-2PT-ADP sollte 3 m oder weniger betragen.
- Das Netzkabel sollte kürzer als 10 m sein.
- Ein Sensor mit einer Nennspannung von 500 V oder mehr sollte verwendet werden, wenn der Sensor in der Nähe von leitendem Material angeordnet ist.

GER

Abbildung 13.3: Installation



Das Modul kann auf eine DIN-Schiene (35 mm, DIN EN 50022) montiert werden. Zur Demontage ziehen Sie an den mit einer Feder versehenen Riegel und nehmen das Modul von der Schiene.

- 1) Montage
Setzen Sie das AL2-2TC-ADP mit der oberen Seite auf die DIN-Schiene (1) und drücken Sie das Modul auf die Schiene (2).
- 2) Demontage
Ziehen Sie den Riegel nach unten (1) und entfernen Sie das AL2-2TC-ADP.

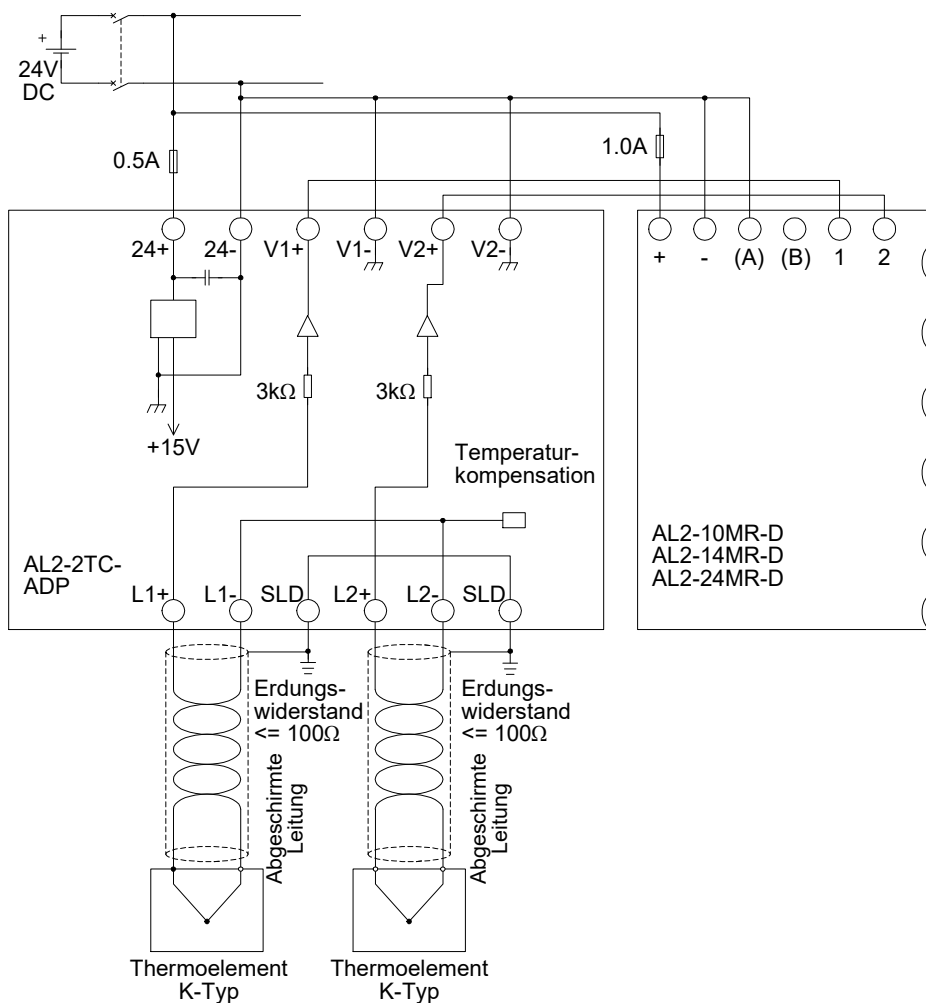
13.4.2 Verdrahtung



Achtung

- Bitte verwenden Sie eine isolierte Stromversorgung, und schalten Sie die Stromversorgung aus, bevor Verdrahtungsarbeiten ausgeführt werden.
- Die Ein- und Ausgangssignale dürfen nicht durch das gleiche Kabel oder den gleichen Kabelbaum geführt werden.
- Die Länge der Leitungen für Eingangssignale (vom Sensor zum AL2-2TC-ADP) darf 10 m und die der Leitungen für Ausgangssignale darf 3 m nicht überschreiten
- Verwenden Sie zum Anschluss Leitungen mit starren oder flexiblen Drähten (für Crimp-Anschluss), die sorgfältig verdreht sind. Schließen Sie keine flexible Drähte mit verlötetem Ende am AL2-2TC-ADP an.
- Drehen Sie die Klemmschrauben mit einem Drehmoment von 0,5 bis 0,6 Nm an, um eine Beschädigung der Drähte zu vermeiden.
- Vor der Verdrahtung zur Einstellung von Offset und Verstärkung am AL2-2TC-ADP muss die Versorgungsspannung ausgeschaltet werden.

Abbildung 13.4:



13.4.3 Wahl der Maßeinheit für die Temperatur

- 1) Schalten Sie die Versorgungsspannung der α 2-Steuerung ein und wählen Sie im Hauptmenü „Weitere“.

```
Hauptmenü
Uhrstellen
LANGUAGE
»Weitere
```

- 2) Im Menü „Weitere“ wählen Sie „AnalogEIN“.

```
Weitere
SerielKom
Leuchzeit
»AnalogEin
```

- 3) Im Menü „AnalogEIN“ wählen Sie „Temp. Skala“

```
AnalogEin
I07
I08
»Temp. Skala
```

- 4) Wählen Sie mit der OK-Taste zwischen „Celsius“ und „Fahrenheit“.

```
AnalogEin
Temp. Skala
»Celsius
Fahrenheit
```

GER



Die Maßeinheit kann nur gemeinsam für beide Kanäle gewählt werden.



Die Werte im Kalibriermenü erscheinen unabhängig von der gewählten Maßeinheit in Grad Celsius, weil auch die Kontakte für die Steckbrücken des AL2-2TC-ADP in dieser Einheit beschriftet sind.

13.4.4 Abgleich des Offset



Hinweis

Falls die Verstärkungseinstellung beendet ist, dann müssen die Schritte 3 bis 7 nicht ausgeführt werden.

- 1) Schalten Sie vor der Kalibrierung von Kanal 1 die Versorgungsspannung der α2-Steuerung und des AL2-2TC-ADP aus und klemmen Sie das Thermoelement ab. Die Anschlüsse L1-, L1+ und SLD bleiben frei. Die Stifte L1- bis I1- und L1+ sollten nicht angeschlossen werden.
- 2) Entfernen Sie die Abdeckung der Steckbrücken und stecken Sie die Brücken auf die Kontakte, die mit „-50 °C“ markiert sind (siehe folgende Abbildung).



Vorsicht

Der Überbrückungsdraht ist richtig zu installieren, da es anderenfalls zu elektrischem Kontakt kommen kann.

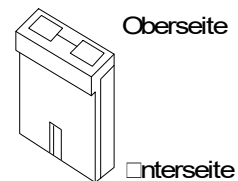
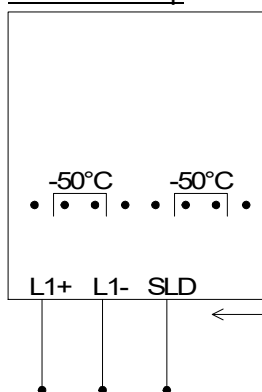
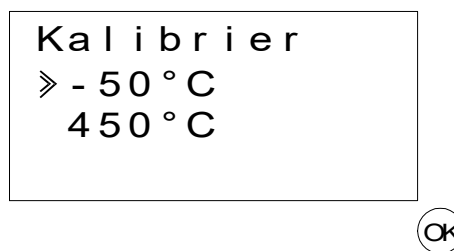


Abbildung 13.5: Abgleich des Offset beim AL2-2TC-ADP

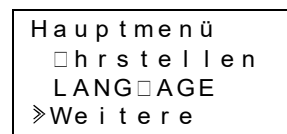
Hardware-Setup



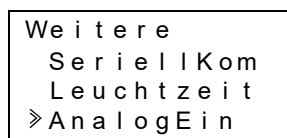
Steuerungsgerät-Setup



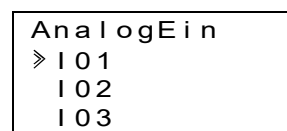
- 3) Schalten Sie die Steuerung ein und wählen Sie bei gestoppter SPS das Menü „Weitere“.



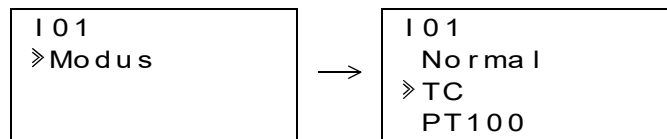
- 4) Im Menü „Weitere“ wählen Sie „AnalogEin“.



- 5) Wählen Sie den Eingang, an dem das AL2-2TC-ADP angeschlossen ist.



6) Konfigurieren Sie den Eingang für den Temperatursensor mit dem Modul AL2-2TC-ADP, indem Sie „Modus“ und danach „TC“ von der folgenden Anzeige wählen.



7) Nach der Einstellung von „TC“, wählen Sie „Kalibrier.“ im Menü „AnalogEIN“.

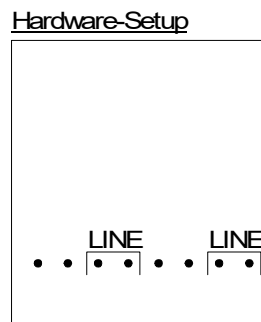


GER

8) Wählen Sie „-50°C“ im Menü „Calibrate“ (siehe Abb. 13.5). Nun sollte die Meldung „OK“ auf der Anzeige erscheinen. Falls das nicht der Fall ist, befolgen Sie bitte die Hinweise zur Fehlerdiagnose in Kap. 13.4.7. Damit ist der Offset-Abgleich für Kanal 1 beendet. Um den Offset für Kanal 2 abzugleichen, wiederholen Sie die oben aufgeführten Schritte, lassen aber dabei die Anschlüsse L2-, L2+ und SLD unbeschaltet.

Nach der Kalibrierung werden die Steckbrücken auf die „LINE“-Kontakte gesteckt:

Abbildung 13.6: Position der Steckbrücken nach der Kalibrierung



Nach dem Abgleich des Offset muss auch die Verstärkung abgeglichen werden. Dieser Vorgang ist im folgenden Kapitel beschrieben.

13.4.5 Abgleich der Verstärkung

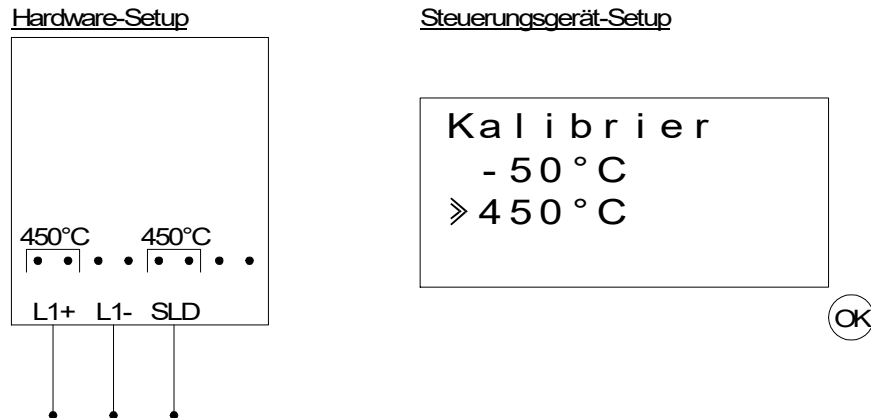
Hinweis

Falls die Offseiteinstellung beendet ist, dann müssen die Schritte 3 bis 4 nicht ausgeführt werden.

- 1) Vor der Kalibrierung der Verstärkung von Kanal 1 schalten Sie die Versorgungsspannung der α2-Steuerung und des AL2-2TC-ADP aus und klemmen das Thermoelement ab. Die Anschlüsse L1-, L1+ und SLD bleiben frei.

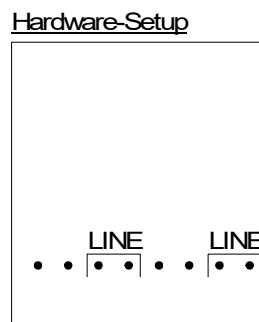
- 2) Entfernen Sie die Abdeckung der Steckbrücken und stecken Sie die Brücken wie in der folgenden Abbildung dargestellt auf die Kontakte, die mit „450 °C“ markiert sind.

Abbildung 13.7: Abgleich der Verstärkung beim AL2-2TC-ADP



- 3) Schalten Sie die Steuerung ein und wählen Sie bei gestoppter SPS das Menü „Weitere“.
- 4) Nachdem Sie dem Thermoelement-Modus (TC) gewählt haben (siehe Beschreibung des Offset-Abgleichs), wählen Sie „Kalibrier.“ im Menü „AnalogEin“
- 5) Wählen Sie „450 °C“ im Menü „Kalibrier.“ (siehe Abb. 13.7). Nun sollte die Meldung „OK“ auf der Anzeige erscheinen. Falls das nicht der Fall ist, befolgen Sie bitte die Hinweise zur Fehlerdiagnose in Kap. 13.4.7. Damit ist der Abgleich der Verstärkung für Kanal 1 beendet. Um die Verstärkung für Kanal 2 einzustellen, wiederholen Sie die oben aufgeführten Schritte, lassen aber dabei die Anschlüsse L2-, L2+ und SLD unbeschaltet. Nach der Kalibrierung werden die Steckbrücken auf die „LINE“-Kontakte gesteckt:

Abbildung 13.8: Position der Steckbrücken nach der Kalibrierung



Bei einem Abgleich der Verstärkung muss auch der Offset abgeglichen werden. Dieser Vorgang ist im Kapitel 13.4.4 beschrieben.

13.4.6 Feinabgleich des Offset



Der Feinabgleich sollte nur ausgeführt werden, nachdem der Offset und die Verstärkung abgeglichen wurden.

1) Wählen Sie im Hauptmenü das Menü „Weitere“.

```
Hauptmenü
Uhr stellen
LANGUAGE
» Weitere
```

2) Im Menü „Weitere“ wählen Sie „AnalogEin“.

```
Weitere
Ser iell Kom
Leuchtzeit
» AnalogEin
```

GER

3) Im Menü „AnalogEin“ wählen Sie den Eingang, der als Thermoelement-Eingang konfiguriert ist.

```
AnalogEin
I 01
I 02 : PT100
» I 03 : TC
```

4) m Menü zur Einstellung der Analogeingänge wählen Sie „Offset fein“

```
I 03
Modus
Kalibrier.
» Offset fein
```

5) Geben Sie mit Hilfe der „+“- und „-“-Taste einen Wert von -31 °C bis 31 °C (-55,8 °F bis 55,8 °F) ein. Nach der Eingabe beenden Sie den Feinabgleich durch Betätigung der „OK“-Taste.

```
I 03
Offset fein
0 °C
```

13.4.7 Fehlerdiagnose

Falls die Eingangsspannung größer als 11 V oder gleich 0 V ist, werden die folgenden System-Bits gesetzt:

Tabelle 13.8:

System-Bit	Beschreibung	AL2-10MR-D	AL2-14MR-D AL2-24MR-D
M17	0: Kein Fehler 1: Fehler bei Eingang I01	✓	✓
M18	0: Kein Fehler 1: Fehler bei Eingang I02	✓	✓
M19	0: Kein Fehler 1: Fehler bei Eingang I03	✓	✓
M20	0: Kein Fehler 1: Fehler bei Eingang I04	✓	✓
M21	0: Kein Fehler 1: Fehler bei Eingang I05	✓	✓
M22	0: Kein Fehler 1: Fehler bei Eingang I06	✓	✓
M23	0: Kein Fehler 1: Fehler bei Eingang I07	—	✓
M24	0: Kein Fehler 1: Fehler bei Eingang I08	—	✓

Falls eines der oben aufgeführten System-Bits gesetzt ist, prüfen Sie

- ob ein Temperaturfühler angeschlossen ist.
- ob die Leitung zum Temperaturfühler unterbrochen ist.
- die Temperatur im zulässigen Bereich ist
- das AL2-2TC-ADP mit Spannung versorgt wird.

Falls bei der Einstellung von Offset und Verstärkung statt eines "OK" eine Fehlermeldung erscheint, prüfen Sie bitte die Ursache.

- Das AL2-2TC-ADP wird mit Spannung versorgt.
- Das AL2-2TC-ADP ist korrekt mit der α 2-Steuerung verbunden.
- Der Eingang, an dem das AL2-2TC-ADP angeschlossen ist, wurde zur Kalibrierung ausgewählt.
- Die Eingänge des AL2-2TC-ADP sind nicht angeschlossen.
- Die Steckbrücke des AL2-2TC-ADP ist entweder auf der -50 °C-Position oder der 450 °C-Position.
- Es ist eine Eingabe im Kalibrieremenü ausgewählt, die sich auf die Position der Steckbrücke bezieht ("-50°C" oder "450°C").

14. Tasten, System-Bit und Funktionsblock-Listen

14.1 Übersicht der Tastaturbelegung

Die folgende Liste beinhaltet die Tasten und ihre jeweilige Anwendung im Menu und im Benutzerprogramm. Weitere Informationen entnehmen Sie bitte dem Programmierhandbuch der α2-Steuerung.

Tabelle 14.1: Funktionstastenliste

Taste	Tastennummer	Tasten-Hauptfunktion
OK	K01	Bestätigung bei Dateneingabe, Menüoptionen oder Programmwahl
ESC	K02	Abbruch des aktuellen Vorgangs, Wechsel zu einer höheren Bildschirmanzeige oder einem höheren Menü
+	K03	Verbinden von zwei Funktionsblöcken, Wechsel zu höheren Programmblöcken, Vergrößern von Werten
-	K04	Trennen von zwei Funktionsblöcken, Wechsel zu niedrigeren Programmblöcken, Verringern von Werten
▲	K05	Nach oben scrollen (Tasten, FB, Eingänge, Ausgänge, etc.)
▼	K06	Nach unten scrollen (Tasten, FB, Eingänge, Ausgänge, etc.)
▶	K07	Auf der LC-Anzeige, im FB-Programm oder bei einem Sprungbefehl nach rechts scrollen
◀	K08	Auf der LC-Anzeige, im FB-Programm oder bei einem Sprungbefehl nach links scrollen

GER

14.2 System- und Kontroll-Bit-Liste

System-Bits werden vom System gesetzt, Kontroll-Bits werden vom Anwenderprogramm gesetzt.

14.2.1 System-Bit-Liste

Tabelle 14.2: System-Bit-Liste

System-Bit	Beschreibung	AL2-10MR-*	AL2-14MR- AL2-24MR-*
M01	Immer "EIN"	✓	✓
M02	Immer "AUS"	✓	✓
M03	Wechselnd – 0,5 Sekunden "EIN", 0,5 Sekunden "AUS"	✓	✓
M04	"EIN", wenn ein Datenfehler der Echtzeituhr auftritt	✓	✓
M05	"EIN", wenn die Sommerzeitfunktion aktiviert ist	✓	✓
M06	"EIN", wenn Kommunikationsfehler des AS-Interface auftritt	—	✓
M07	"EIN", wenn Kommunikationsfehler durch AS-Interface-Spannungsabfall auftritt	—	✓
M08	"EIN" Impuls, wenn die α 2-Steuerung vom Stop-Modus in den Run-Modus wechselt. Es wird ein einmaliger Impuls ausgegeben, danach ist das Signal "AUS".	✓	✓
M09	"AUS" Impuls, wenn die α 2-Steuerung vom Stop-Modus in den Run-Modus wechselt. Es wird ein einmaliger Impuls ausgegeben, danach ist das Signal "EIN".	✓	✓
M10	"EIN", während der Decodierung von DCF77-Signalen	✓	✓
M11	"EIN" Impuls nach der fehlerfreien Decodierung von DCF77-Signalen	✓	✓
M12	"EIN", wenn CD (DCD) Signal eingeschaltet ist (CD-Signal von Modem empfangen)	—	✓
M13	"EIN", wenn ein Zugriff auf GSM-Netzwerk möglich ist	—	✓
M14	"EIN", wenn die α 2-Steuerung mit dem GSM verbunden ist	—	✓
M15	"EIN", wenn bei der Decodierung von DCF77-Signalen ein Fehler aufgetreten ist	✓	✓
M16	"EIN", wenn die externe Versorgungsspannung für das AL2-2DA eingeschaltet ist.	—	✓
M17	"EIN", bei einem Sensorfehler an I01	✓	✓
M18	"EIN", bei einem Sensorfehler an I02	✓	✓
M19	"EIN", bei einem Sensorfehler an I03	✓	✓
M20	"EIN", bei einem Sensorfehler an I04	✓	✓
M21	"EIN", bei einem Sensorfehler an I05	✓	✓
M22	"EIN", bei einem Sensorfehler an I06	✓	✓
M23	"EIN", bei einem Sensorfehler an I07	—	✓
M24	"EIN", bei einem Sensorfehler an I08	—	✓

14.2.2 Kontroll-Bit-Liste

Tabelle 14.3: Kontroll-Bits

Kontroll-Bit	Beschreibung	AL2-10MR-*	AL2-14MR- AL2-24MR-*
N01	ON: Nicht mit dem AS-Interface Network verbunden OFF: Mit dem AS-Interface Network verbunden	—	✓
N02* ¹	ON: Die Hintergrundbeleuchtung des LCDs ist aus. OFF: Die Hintergrundbeleuchtung wird über die Einstellung "Leuchtdauer" im Menü gesteuert.	✓	✓
N03* ¹	ON: Die Hintergrundbeleuchtung des LCDs ist ein. OFF: Die Hintergrundbeleuchtung wird über die Einstellung "Leuchtdauer" im Menü gesteuert.	✓	✓
N04	ON: Die Anzeige wird mit den Einstellungen des "Anzeige-Managers" der AL-PCS/WIN-E überwacht. OFF: Die Anzeige wird vom nutzerdefinierten Programm überwacht.	✓	✓

GER

*1 Wenn N02 und N03 EIN geschaltet sind, ist die Hintergrundbeleuchtung eingeschaltet, weil N03 eine höhere Priorität als N02 besitzt.

14.3 Liste der Funktionsblöcke

Weitere Informationen zu den Funktionsblöcken entnehmen Sie bitte dem Programmierhandbuch der α2-Steuerung.

Tabelle 14.4: Liste der Funktionsblöcke

Funktionsblock		Speicherbelegung (Byte)	Beschreibung	AL2-10MR-*	AL2-14MR-*/AL2-24MR-*
Bezeichnung	Symbol				
AND	AND	19	Ausgang "EIN", wenn alle Eingänge "EIN", Nicht verwendete Eingänge werden als "EIN" betrachtet	✓	✓
OR	OR	19	Ausgang "EIN", wenn mindestens ein Eingang "Ein", Nicht verwendete Eingänge werden als "AUS" betrachtet	✓	✓
NOT	NOT	10	Invertiert ein Signal; wechselt ein "AUS" in ein "EIN" und umgekehrt	✓	✓
XOR	XOR	13	Exklusiv ODER; Ausgang "EIN" wenn nur einer von zwei Eingängen "EIN"	✓	✓
NAND	NAND	19	Nicht UND; Ausgang "AUS" nur wenn alle Eingänge "EIN", Nicht verwendete Eingänge werden als "EIN" betrachtet	✓	✓
NOR	NOR	19	Nicht ODER; Ausgang "AUS" wenn mindestens ein Eingang "Ein", nicht verwendete Eingänge werden als "AUS" betrachtet	✓	✓
Boolescher Operand	BL	*1	Logische Gleichung unter Verwendung von AND, OR, XOR, NOT	✓	✓
Setz-/Rücksetzglied	SR	14	Setz-/Rücksetzglied mit wählbarer Priorität für SET oder RESET	✓	✓
Impuls	PL	10	Sendet einen Impuls bei steigender, fallender oder bei beiden Flanken des Eingangssignals	✓	✓
Alternieren	AL	13	Ausgang alterniert zwischen EIN und AUS mit jedem Eingangsimpuls	✓	✓
Verzögerung	DL	19	Signalverzögerung bei steigender, fallender oder bei beiden Flanken	✓	✓
Einzelimpuls	OS	17	Sendet einzelnen Impuls; zeit- oder eingangssignal-gesteuert, Reset-Signal möglich	✓	✓
Flicker	FL	19	Sendet eine Impulskette; EIN/AUS-Dauer, Wiederholung, unterbrochene oder anhaltende Ausgabe	✓	✓
Zeitschalter	TS	*2	Verwenden der RTC, um einen Ausgang EIN/AUS zu schalten; kalendarischer oder wöchentlicher Zeitplan	✓	✓
Zeitschalter-Wartung	TSm	*2	Verwenden der RTC, um einen Ausgang EIN/AUS zu schalten; kalendarischer oder wöchentlicher Zeitplan. Der Funktionsblock kann im Hauptmenü "Parameter" über die Tasten des Bedienfelds eingestellt werden.	✓	✓
Zähler	CN	16	Zählt Impulse aufwärts	✓	✓

Tabelle 14.4: Liste der Funktionsblöcke

Funktionsblock		Speicherbelegung (Byte)	Beschreibung	AL2-10MR-*	AL2-14MR- AL2-24MR-*
Bezeichnung	Symbol				
Aufwärtszähler	UD	22	Zählt aufwärts oder abwärts, Setzen eines Istwertes, um den Ausgang EIN zu schalten	✓	✓
Vergleich	CP	17	Vergleich zweier Werte auf <, >, =, <=, >=, <> (Analog, Direkt gesetzt, oder FB-Werte)	✓	✓
Offset Gain	OG	22	Manipuliert analoge Werte; $y = A/B \cdot x + C$; Setzen von oberem und unterem Grenzwert	✓	✓
Anzeige	DP	*3	Anzeige von Anwenderdaten (Meldungen oder Daten) auf dem LC-Display	✓	✓
Bereichsvergleich	ZC	20	Vergleicht einen Wert mit einem Wertebereich (Analog, Direkt gesetzt oder FB-Werte)	✓	✓
Schmitt-Trigger	ST	19	Schaltet einen Eingang bei oberem Grenzwert "EIN" und bei unterem Grenzwert "AUS" (oder umgekehrt)	✓	✓
Betriebsstundenzähler	HM	19	Speichert die Zeit, während der ein Signal EIN ist.	✓	✓
Geschwindigkeitserkennung	SPD	25	Die Eingangssignalfrequenz (EIN/AUS) wird über einen bestimmten Zeitraum gemessen. Die Frequenz wird mit einem Wertebereich verglichen und der Ausgang wird entsprechend dem Ergebnis EIN oder AUS geschaltet.	✓	✓
Pulsweiten-Modulation	PWM	16	Eine kontinuierliche Impulskette wird ausgegeben, wenn dieser FB aktiviert wird. Die Charakteristika des Impulses werden definiert als: Impulsbetrag (Direkt gesetzt, Analog, FB-Werte), Zykluszeit.	✓	✓
Remanent Alternierend	RAL	13	Der Ausgang alterniert mit jedem Eingangsimpuls zwischen EIN und AUS. Der letzte Ausgangsstatus bleibt beim Ausschalten der Spannungsversorgung erhalten und liegt beim Einschalten wieder an. Der Ausgangsstatus geht verloren, wenn die α2-Steuerung in den Stop-Modus geschaltet wird.	✓	✓
Addition	ADD	20	$y = A + B$	✓	✓
Subtraktion	SUB	20	$y = A - B$	✓	✓
Multiplikation	MUL	20	$y = A \times B$	✓	✓
Division	DIV	20	$A \div B = q, r$ (ganze Zahl und Rest)	✓	✓
Berechnung	CAL	*4	Berechnungen, die +, -, ×, ÷, % und die ausgewählten Daten nutzen.	✓	✓

GER

Tabelle 14.4: Liste der Funktionsblöcke

Funktionsblock		Speicherbelegung (Byte)	Beschreibung	AL2-10MR-*	AL2-14MR-*/AL2-24MR-*
Bezeichnung	Symbol				
Schieberegister	SFT	19	Verschiebeoperation; Wenn das "SFT"-Signal gesetzt wird, wird der letzte "1"-Signalstatus ausgegeben. Bei Einsatz der 8-Bit-Verschiebeoperation sollte der FB 8 mal nacheinander aufgerufen werden.	✓	✓
GSM SMS	SMS	*5	Die Anzeige des LCD-Bildschirm wird als SMS verschickt.	—	✓
Empfang einer SMS	SMR	*7	Zustand eines Ausgangs durch eine SMS ändern	—	✓
Empfang einer SMS - Wartung	SMRm	*7	Zustand eines Ausgangs durch eine SMS ändern Der Funktionsblock kann im Hauptmenü "Parameter" über die Tasten des Bedienfelds eingestellt werden.	—	✓
Anrufüberwachung	CD	30	Anrufererkennung durch die CLIP-Funktion (Calling Line Identification Presentation)	—	✓
Anrufüberwachung - Wartung	CDm	30	Anrufererkennung durch die CLIP-Funktion (Calling Line Identification Presentation) Der Funktionsblock kann im Hauptmenü "Parameter" über die Tasten des Bedienfelds eingestellt werden.	—	✓
Zufallsimpuls	ROS	19	Ein einzelner Impuls von zufälliger Länge wird gesendet.	✓	✓
Verzögerter Impuls	DOS	20	Nach einer Verzögerungszeit wird ein Impuls gesendet.	✓	✓
Verzögerte Alternierung	DAL	16	Nach einer Verzögerungszeit wechselt der Ausgang mit jedem Eingangsimpuls zwischen EIN und AUS.	✓	✓
Gepuffertes Set/Reset (Setz/Rücksetz-Glied)	RSR	14	Ein Setz/Rücksetz-Glied kann gegen Spannungsausfall gesichert werden und die Setz/Rücksetz-Priorität ist frei wahlbar. Der letzte Ausgangsstatus bleibt bei Spannungsausfall/-wiederkehr erhalten. Der letzte Ausgangsstatus geht verloren, wenn das α 2-Steuerung in den Stop-Modus übergeht.	✓	✓

Tabelle 14.4: Liste der Funktionsblöcke

Funktionsblock		Speicherbelegung (Byte)	Beschreibung	AL2-10MR-*	AL2-14MR-*/AL2-24MR-*
Bezeichnung	Symbol				
PID-Regelung	PID	52	Beim PID-Funktionsblock handelt es sich um die α2-Anwendung von PID, einem Steuerungsverfahren, das dazu verwendet wird, eine stabile Steuerung einer Systemvariablen zu erzielen. Er ist mit einer automatischen Abstimmungsfunktion ausgestattet, die die Funktionsblock-Parameter für die vorgesehene Anwendung automatisch einstellt.	✓	✓
Analogausgabe	AO	17	Die analoge Ausgangsfunktion nimmt einen digitalen Werteingang auf und liefert eine entsprechende analoge Spannung oder einen entsprechenden analogen Strom zu einem ausgewählten Kanal am AL2-2DA-Modul.	✓	✓
Überwachungsmonitor	CDP	*6	Kontrolliert, welche Anzeige auf dem Bildschirm erfolgt. Dieser Funktionsblock kann nur in der AL-PCS/WIN-E Software gesetzt werden. Ist das Überwachungs-Bit N04 EIN, kann die Bildschirmanzeige überwacht werden.	✓	✓
Verbinden	_B	10	Dieser Funktionsblock ist ein interner FB, der der Anzeige des von den System-Bits, der Bits für das AS-Interface und den Funktionstasten verwendeten Speichers dient. Kein Funktionsblock erscheint auf der Anzeige oder wird in dem Dialogfenster "Speicherverwendungs-Konfiguration" als verwendet angezeigt. Der Zweck ist lediglich die Berechnung des Speichers, der von den oben aufgeführten Bits verwendet wird.	✓	✓
Systemausgänge	Out	10	Steuerung externer geräte über Relais und Transistoren	✓	✓

GER

- *1 Anzahl der verwendeten Bytes = $19 + 1 \times$ (Zeichen in der Gleichung)
- *2 Anzahl der verwendeten Bytes = $8 + 4 \times$ (Anzahl der Zeitwechsel)
- *3 Anzahl der verwendeten Bytes wird durch die angezeigten Zeichen bestimmt.

Tabelle 14.5: Anzeige und Anzahl der verwendeten Bytes

Anzeige		Anzahl der Bytes, α 2-Steuerung
Zeichen		$16 + 1 \times$ (je angezeigtem Zeichens)
Analog, FB-Wert	Wert	17
	Grafik	23
Zeit, Datum		14
Zeitwechsel		17

- *4 Anzahl der verwendeten Bytes = $30 + 1 \times$ (Zeichen in der Gleichung)
- *5 Anzahl der verwendeten Bytes = $12 + 1 \times$ (Zeichen der E-Mail-Adresse)
- *6 Anzahl der verwendeten Bytes = $32 + 3 \times$ (Anzahl der Bildschirme)
- *7 Anzahl der verwendeten Bytes = $37 +$ (Anzahl der Zeichen des Setup-Befehls)

15. Fehleranalyse



Achtung

- Berühren Sie nie die Anschlüsse, wenn die Spannung eingeschaltet ist. Dies kann zu Fehlfunktionen des Geräts oder zu elektrischen Schlägen führen.



Achtung

- Korrekte Spannungsversorgung.
Durch die Verwendung einer von der angegebenen Werten abweichenden Spannungsversorgung kann das Gerät beschädigt oder ein Brand verursacht werden.
- Verbinden Sie "L (Phase)" der Spannungsversorgung mit der "L-Klemme" der Haupteinheit und verbinden Sie "N (Neutral)" mit der "N-Klemme" der Haupteinheit, wenn Sie die AC-Spannungsversorgung verdrahten.
Fehlerhafte Verdrahtung kann zu elektrischen Schlägen, Schäden an der Steuerung oder zu Bränden führen.
- Schalten Sie bei der AC-Einheit über die angeschlossenen Sensoren und Schalter immer "L" und nicht "N".
- Verbinden Sie den "+"-Anschluss der Spannungsversorgung mit der "+ Klemme" der Haupteinheit und verbinden Sie den "-"-Anschluss der Stromversorgung mit der "-"-Klemme, wenn sie die DC-Einheit verdrahten.
Fehlerhafte Verdrahtung kann Schäden an der Steuerung, Stromschläge oder Brände verursachen.



Hinweise

- Die α 2-Steuerung darf nur mit eingesetzter Speicherkassette, montiertem Kommunikationskabel oder montierter Anschlussabdeckung betrieben werden. Ein freiliegender Anschluss kann zu Beschädigungen der α 2-Steuerung oder zu einem elektrischen Schlag beim Bediener der α 2-Steuerung führen.
- Verwenden Sie das Erweiterungsmodul oder die Anschlussabdeckung, während die Spannungsversorgung eingeschaltet ist.
Fehlerhafte Installation des Zubehörs kann zu Schäden an der Steuerung oder zu elektrischen Schlägen führen.

GER

15.1 Eingangsstatusfehler

Wechseln Sie die α 2-Steuerung in den Stop-Modus. Schalten Sie die Spannungsversorgung der an die Eingangsklemmen angeschlossen Schalter und Sensoren und prüfen Sie, ob der Eingangsstatus im Display der α 2-Steuerung korrekt angezeigt wird. Falls dieser nicht korrekt angezeigt wird, überprüfen Sie die unten angeführten Punkte.

Weitere Informationen zum Status-Monitor finden Sie im α 2-Programmierhandbuch.



Hinweise zur Durchführung

Schließen Sie keine Kabel mit verlöteten Enden an die Anschlussklemmen der α 2-Steuerung an.

Dadurch kann eine Kontaktstörung verursacht werden, und das Kabel kann sich lösen.

- 1) Überprüfen Sie die Verdrahtung der Spannungsversorgung und die Eingänge.
- 2) Überprüfen Sie, ob die genutzten Schalter und Sensoren den im Abs. 2.3 dieses Handbuchs beschriebenen Eigenschaften entsprechen.

15.2 Ausgangsstatusfehler

Wechseln Sie die α 2-Steuerung in den Stop-Modus. Schalten Sie die Ausgänge EIN/AUS und überprüfen Sie ihre Funktion. Überprüfen Sie die Anwendbarkeit des geschriebenen Programms auf die gewünschten Funktionen.

Weitere Informationen über die EIN/AUS-Operationen entnehmen Sie bitte dem Programmierhandbuch der α 2-Steuerung.



Hinweise zur Durchführung

Führen Sie die erzwungene EIN/AUS-Operation erst aus, nachdem Sie geprüft haben, dass Sie dies ohne Gefahr ausführen können. Es kann zu einer Beschädigung von Maschinen oder Steuerung kommen, oder es kann ein Sicherheitsrisiko auftreten, wenn das Aus-/Einschalten erfolgt, ohne dass die nötigen Vorkehrungen getroffen werden.

- 1) Überprüfen Sie die Verkabelung der Spannungsversorgung und der Ausgänge.
- 2) Überprüfen Sie, ob die angeschlossenen geräte den im Abs. 4.4 dieses Handbuchs beschriebenen Eigenschaften entsprechen.

15.3 Hauptmenü wird nicht angezeigt

Das Hauptmenü sollte aufgerufen werden, wenn Sie gleichzeitig die Tasten "OK" und "ESC" betätigen. Geschieht dies nicht, sind diese Tasten für den Aufruf des Hauptmenüs nicht konfiguriert. Verwenden Sie dann die Programmier-Software oder die erzwungene Stop-Operation, um in den Stop-Modus zu gelangen.

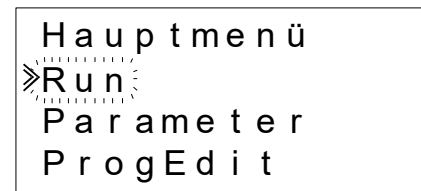
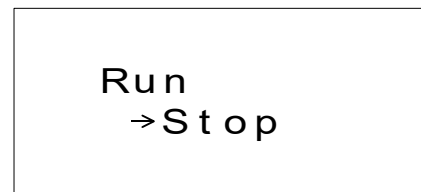


Achtung

Führen Sie die erzwungene Stop-Operation nur aus, nachdem Sie sorgfältig geprüft haben, dass Sie dies ohne Gefahr ausführen können. Es kann zu einer Beschädigung von Maschinen oder Steuerungen kommen, oder es kann ein Sicherheitsrisiko auftreten, wenn das Aus-/Einschalten erfolgt, ohne dass die nötigen Vorkehrungen getroffen wurden.

Erzwungene Stop-Operation

- 1) Schalten Sie die α2-Steuerung aus.
- 2) Schalten Sie die Spannung ein, während Sie gleichzeitig die Tasten "OK" und "ESC" betätigen. Der rechts abgebildete Bildschirm wird 5 Sekunden angezeigt. Betätigen Sie innerhalb dieses Zeitraums die "OK"-Taste, um in den Stop-Modus zu gelangen. Falls keine Taste betätigt wird, wird die Steuerung in den Run-Modus zurückgesetzt.
- 3) Drücken Sie "ESC" . Das rechts abgebildete "Hauptmenü" wird angezeigt.



GER

15.4 Umschaltung in den Run-Modus nicht möglich

Wenn die α 2-Steuerung nicht in den Run-Modus umschaltet, überprüfen Sie folgendes:

- 1) Die Anzeige "Eingangsfehler" oder "Ausgangsfehler" erscheint.
Das Programm in der Speicherkassette beinhaltet mehr Ein- und/oder Ausgänge als die Steuerung zulässt.
 - a) Falls das Programm mit der Programmier-Software geschrieben wurde.
Der Inhalt des Programms und das Modell wurde mit der Programmier-Software geprüft.
Schreiben Sie das Programm in die α 2-Steuerung und verwenden Sie keine Speicherkassette.
 - b) Wenn Sie die α 2-Steuerung mit den Bedientasten der Steuerung programmieren.
Entfernen Sie die Speicherkassette und schreiben Sie das Programm erneut.
 - c) Installieren Sie die Speicherkassette in der α 2-Steuerung mit 24 Ein-/Ausgängen.
 - d) Erstellen Sie Ihr Programm nur mit der gleichen Serie der α 2-Steuerung, mit der Sie das Programm auch nutzen.
- 2) Die Programmdateien sind fehlerhaft.
Erscheint im Hauptmenü der Unterpunkt "Editieren", sind möglicherweise die Programmdateien beschädigt. Wechseln Sie aus dem Hauptmenü in den Run-Modus, nachdem Sie das Programm gelöscht haben.
 - a) Schreiben Sie das Programm erneut und wechseln Sie in den RUN-Modus.
 - b) Benachrichtigen sie Ihren Mitsubishi-Vertragspartner, wenn die Steuerung weiterhin nicht in den RUN-Modus wechselt.

15.5 Falsche Uhrzeit

Überprüfen Sie die folgenden Punkte.

- 1) Die Uhrzeit wird nicht angezeigt.
Nach einem Zeitraum von mehr als 20 Tagen (25°C), nachdem die α 2-Steuerung von der Spannungsversorgung getrennt wurde, muss die Echtzeituhr neu eingestellt werden.
Weitere Informationen bezüglich der Echtzeituhr finden Sie im α 2-Programmierhandbuch.
- 2) Bei der Uhrzeit kann es zu kleinen Abweichungen kommen.
Die Abweichung von der Echzeit beträgt ± 5 Sekunden am Tag. Wenn sich die Zeitabweichung vergrößert, korrigieren sie die Einstellungen.
Weitere Informationen zur Zeiteinstellung entnehmen Sie dem α 2 Programmierhandbuch.

15.6 Das "?" erscheint im Display

Das "?" wird angezeigt, wenn in Bezug auf die Bildschirmanzeige eine unzulässige Taste betätigt wurde. Wählen sie die korrekte Auswahl und betätigen Sie die richtigen Tasten.



15.7 Die Funktionstasten können nicht verwendet werden

Nimmt die α2-Steuerung eine Betätigung der Funktionstasten nicht an, prüfen Sie die Funktion der Funktionstasten entsprechend der folgenden Schritte. Können Sie die unten aufgeführten Schritte (1)–(5) problemlos ausführen, arbeiten die Funktionstasten problemlos. Überprüfen Sie, ob die Taste(n) in dem Programm verwendet werden.

- 1) Schalten Sie die Steuerung in den Stop-Modus. Wenden Sie sich an Ihren Mitsubishi-Vertragspartner, wenn die Steuerung nicht in den Stop-Modus schaltet.



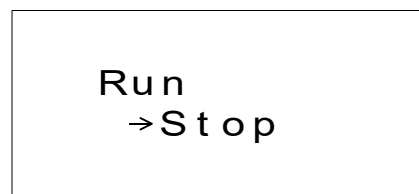
Achtung

Führen Sie die erzwungene STOP-Operation nur aus, nachdem Sie geprüft haben, dass Sie dies ohne Gefahr ausführen können. Es kann zu einer Beschädigung von Maschinen oder Steuerungen kommen, oder es kann ein Sicherheitsrisiko auftreten, wenn das Aus-/Einschalten erfolgt, ohne dass die nötigen Vorkehrungen getroffen werden.

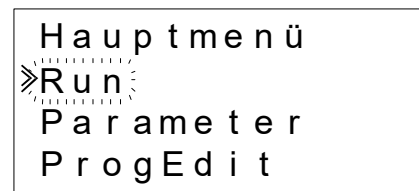
GER

Erzwungene Stop-Operation

- a) Schalten Sie die α2 -Steuerung aus.
- b) Schalten Sie die Spannung ein, während Sie gleichzeitig die Tasten "OK" und "ESC" betätigen. Der rechts abgebildete Bildschirm wird 5 Sekunden angezeigt. Betätigen Sie innerhalb dieses Zeitraums die "OK"-Taste, um in den Stop-Modus zu gelangen. Falls keine Taste betätigt wird, wird die Steuerung in den Run-Modus zurückgesetzt.

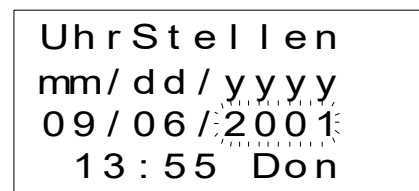


- c) Betätigen Sie die "ESC"-Taste. Das rechts abgebildete Hauptmenü wird angezeigt.



- 2) Scrollen Sie mit den Tasten "▲" und "▼" durch das Hauptmenü. Wenden Sie sich an Ihren Mitsubishi-Vertragshändler, wenn Sie nicht durch das Menü scrollen können.

- 3) Bewegen Sie mit der Taste "▲" oder "▼" den Cursor auf das Menü "UhrStellen" und betätigen Sie zweimal die "OK" -Taste.. Das rechts abgebildete Menü "UhrStellen" wird angezeigt. Wenden Sie sich an Ihren Mitsubishi-Vertragshändler, falls dies nicht angezeigt wird.



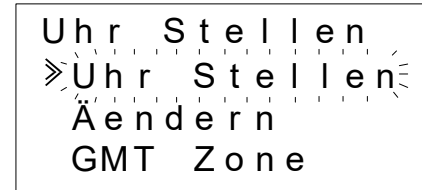
- 4) Ändern Sie die Einstellungen für den Monat und das Jahr, indem Sie die Tasten “◀”, “▶”, “+” und “-” verwenden.

Wenden Sie sich an Ihren Mitsubishi-Vertragshändler, falls die Einstellungen nicht möglich sind.

- 5) Betätigen Sie die “ESC” Taste.

Das rechts abgebildete Menü wird angezeigt und die Änderungen aus Schritt (4) werden zurückgesetzt.

Wenden Sie sich an Ihren Mitsubishi-Vertragshändler, falls die korrekte Anzeige nicht erscheint.



15.8 Falsche LCD-Anzeige

Überprüfen Sie die folgenden Punkte:

- 1) Die Zeichen werden auf dem Bildschirm invers dargestellt und der ganze Bildschirm ist schwarz.
Wenden Sie sich an Ihren Mitsubishi-Vertragshändler, falls dieser Fehler auftritt. Das Display der α2-Steuerung wurde beschädigt.
- 2) Die Anzeige erscheint fehlerhaft.
Falls auf dem Bildschirm eine nicht erwartete fehlerhafte Anzeige erscheint, überprüfen Sie die folgenden Punkte in dem Programm.
 - a) Prüfen Sie die jeweiligen Positionen, an denen eine Anzeigefunktion startet. Zwei separate Anzeigen können sich unter Umständen überlappen und die nicht erwartete Bildschirmanzeige verursachen.
 - b) Die Zeichen werden nicht angezeigt.
 - Überprüfen Sie, ob der Eingang des Anzeige-Funktionsblock gesetzt ist (EIN).
 - Überprüfen Sie, ob ein Konflikt mit einer anderen Anzeige besteht.

15.9 Die Speicher-Kassette arbeitet fehlerhaft

Überprüfen Sie folgende Punkte, wenn die Speicher-Kassette nicht erkannt oder die Übertragungsfunktionen der Kassette nicht arbeiten.



Hinweise zur Durchführung

- Verwenden Sie die Speicherkassette, das Telekommunikationskabel oder die Anschlussabdeckung, während die Spannungsversorgung der α2-Steuerung eingeschaltet ist.
Fehlerhafte Installation des Zubehörs kann zu Schäden an der Steuerung oder zu elektrischen Schlägen führen.
- 1) Die Speicher-Kassette muss korrekt installiert sein. Detaillierte Informationen zur korrekten Installation entnehmen Sie bitte dem Abs. 6.1.
 - 2) Die Anzeige "Schutz-SW Fehler" erscheint.
Der Schreibschutz wurde aktiviert (Schutz-SW).
Detaillierte Informationen zur Aufhebung des Schreibschutzes entnehmen Sie dem α2 Programmierhandbuch.
 - 3) Die Anzeige "Passwort-Fehler" erscheint.
Der Passwortschutz wurde eingerichtet. Versuchen Sie es erneut, nachdem Sie den Passwortschutz deaktiviert haben.
Detaillierte Informationen zur Deaktivierung des Passworts finden Sie im α2 Programmierhandbuch.

Die Option "PrgLoesch" kann sowohl Passwörter, als auch Programme und alle Hauptmenüeinstellungen löschen. Die Steuerung kehrt dann zu den vordefinierten Grundeinstellungen zurück.

Weitere Informationen zu den "PrgLoesch"-Operationen entnehmen Sie bitte dem α2 Programmierhandbuch.

GER

15.10 Die Kommunikation mit dem AS-Interface-Master-Modul ist gestört

Überprüfen Sie die folgenden Punkte:



Hinweis zur Durchführung

- Verwenden Sie die Erweiterungskarte oder die Anschlussabdeckung, während die Spannungsversorgung der α 2-Steuerung eingeschaltet ist.
Fehlerhafte Installation des Zubehörs kann zu Schäden an der Steuerung oder zu elektrischen Schlägen führen.
- 1) Überprüfen Sie die Spannungsversorgung für das AS-Interface .
 - 2) Überprüfen Sie, ob das Kontroll-Bit N01 AUS ist. Befolgen Sie eine der beiden im Folgenden angegebenen Vorgehensweisen, falls das Kontroll-Bit zurückgesetzt werden muss.
 - a) Das Kontroll-Bit wird nicht vom Programm verwendet
Setzen Sie den Status auf AUS. Angaben zum erzwungenen Setzen/Rücksetzen entnehmen Sie bitte dem Programmierhandbuch zur α 2-Steuerung.
 - b) Das Kontroll-Bit wird vom Programm verwendet.
Ändern Sie das Programm oder schalten Sie die Eingänge so, dass das Kontroll-Bit N1 auf 0 gesetzt wird.
 - 3) Überprüfen Sie die Slave-Adresse.
Korrigieren Sie die Slave-Adresse über das AS-Interface-Master-Modul.
Detaillierte Informationen zur Adresseinstellung und dem AS-Interface-Modul entnehmen Sie bitte dem Abs. 9.4.1.
 - a) Es liegt ein Adressenkonflikt zwischen dem AL2-ASI-BD und einem anderen Slave vor.
Korrigieren Sie die Adresse so, dass es zu keinem Konflikt kommt.
 - b) Die Slave-Adresse ist 0.
Verwenden Sie eine gültige Slave-Adresse für das AS-Interface-Modul.
 - 4) AL2-ASI-BD ist am Master-Modul nicht als aktiver Slave eingestellt.
Überprüfen Sie die Einstellungen des Master-Moduls.
Weitere Informationen entnehmen Sie bitte dem Handbuch zum AS-Interface-Master-Modul.

15.11 Die Kommunikation mit dem AL-PCS/WIN-E ist gestört

Überprüfen Sie die folgenden Punkte:



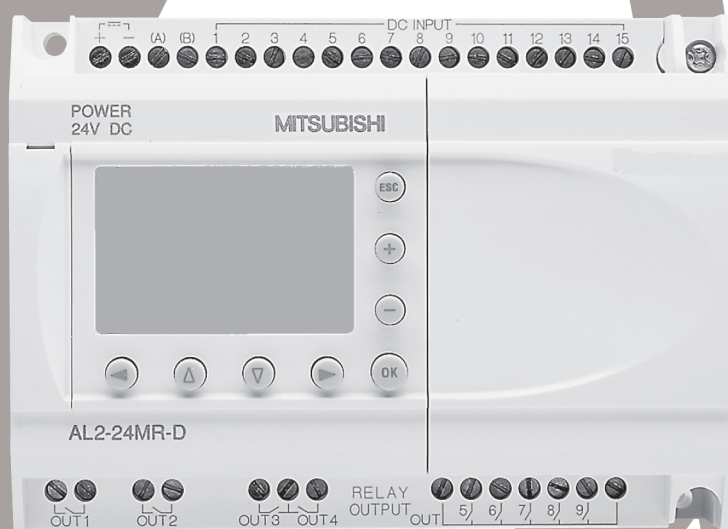
Hinweise zur Durchführung

- Verwenden Sie die Speicherkassette, das Telekommunikationskabel oder die Anschlussabdeckung, während die Spannungsversorgung der α 2-Steuerung eingeschaltet ist.
Fehlerhafte Installation des Zubehörs kann zu Schäden an der Steuerung oder zu elektrischen Schlägen führen.
- 1) Überprüfen Sie die Kabelverbindungen (AL-232CAB).
Weitere Informationen zu den Kabelverbindungen entnehmen Sie bitte dem Abs. 7.2.
 - 2) Überprüfen Sie die Spannungsversorgung der α 2-Steuerung.
Überprüfen Sie die Schaltung und die Anschlüsse der Spannungsversorgung.
Ausserdem überprüfen Sie bitte anhand von Abs. 2.2 die Daten der Spannungsversorgung.
 - 3) Überprüfen Sie, ob die am PC verwendete COM-Schnittstelle, an der das Verbindungskabel (AL-232CAB) angeschlossen ist, mit der Einstellung des Kommunikationsports in der Programmier-Software übereinstimmt. Ist dies nicht der Fall, schließen Sie das Kabel an die entsprechende COM-Schnittstelle des PCs an, oder ändern Sie die Einstellung in der Programmier-Software.
 - 4) Bei Fernwartung über ein Modem
 - a) Überprüfen Sie, ob das Modem von der α 2-Steuerung korrekt erkannt wurde.
Weitere Informationen zur Modemerkennung durch die Steuerung entnehmen Sie bitte dem Programmierhandbuch und dem Abs. 7.3.
 - b) Überprüfen Sie die Kabelverbindungen.
Weitere Informationen zu den Kabelverbindungen entnehmen Sie bitte dem Abs. 7.3.2.
 - c) Überprüfen Sie die Modemeinstellungen auf Seiten der Programmier-Software.
Überprüfen Sie, ob die Installationsroutine und das Modem-Setup ordnungsgemäß abgeschlossen wurden.

GER

MEMO

SIMPLE APPLICATION CONTROLLER



FRE

**Contrôleur α2
MANUEL DU MATÉRIEL**

Avant-propos

- Ce manuel contient des textes, diagrammes et explications ayant pour but d'assister le lecteur dans la programmation correcte et dans l'opération du contrôleur $\alpha/\alpha 2$.
- Il est nécessaire d'avoir lu et compris ce manuel avant d'essayer d'installer ou d'opérer le contrôleur $\alpha/\alpha 2$.
- En cas de doute dans n'importe quelle phase d'installation du contrôleur $\alpha/\alpha 2$, demandez conseil à un électrotechnicien professionnel qualifié qui s'est familiarisé avec les prescriptions locales et nationales applicables.
- En cas de doute concernant l'opération or l'utilisation du contrôleur $\alpha/\alpha 2$, veuillez demander conseil au distributeur Mitsubishi Electric le plus proche.
- Si vous utilisez mal l'équipement, la protection peut ne pas fonctionner.
- Mitsubishi Electric ne pourra en aucune circonstance être tenu responsable de n'importe quel dommage provoqué par l'installation ou l'utilisation de cet équipement.
- Tous les exemples et diagrammes qui figurent dans ce manuel ne servent qu'à aider de mieux comprendre le texte, mais ils ne garantissent pas l'opération. Mitsubishi Electric déclinera toute responsabilité concernant l'utilisation du produit basée sur ces exemples illustratifs.
- Ce produit a été fabriqué comme composant ordinaire de systèmes industriels en général, et il n'a pas été conçu et fabriqué pour être incorporé dans des dispositifs ou systèmes en rapport avec la vie humaine.
- Pour plus d'information sur des applications dans des situations périlleuses ou qui exigent une disponibilité élevée, veuillez contacter un distributeur Mitsubishi Electric.
- Lors de sa mise au rebut, ce produit doit être traité comme un déchet industriel.
- Le contenu de ce manuel peut être modifié à tout moment sans préavis.

Ce manuel ne confère pas de droit de propriété industrielle ni aucun autre droit ni aucun droit de brevet. Mitsubishi Electric Corporation ne peut pas être tenu responsable d'un quelconque problème de droit de propriété industrielle provoqué par l'utilisation du contenu de ce manuel.

Contrôleur $\alpha 2$

Manuel du matériel

FRE

No. du manuel: JY992D97301

Version: P

Date: 8/2023

Directives de sécurité pour l'utilisateur et mesures de protection pour le contrôleur $\alpha 2$

Ce manuel fournit des informations pour l'utilisation du contrôleur $\alpha 2$.

Ce manuel a été établi à l'intention d'un personnel formé et compétent. La notion de qualification est basée sur la définition suivante:

- a) Tout technicien qui étudie, conçoit et construit des installations d'automatisation incorporant le présent produit, devrait posséder des connaissances suffisantes à son sujet. Sa formation et sa qualification devraient également englober les normes locales et les normes nationales. Le technicien devrait posséder des connaissances complètes sur tous les aspects liés à la sécurité dans le domaine de l'automatisation.
- b) Tout utilisateur ou technicien du service après-vente doit posséder des connaissances de la réglementation locale et nationale en vigueur pour exécuter en toute sécurité les opérations à effectuer lors de ces interventions. Le technicien devrait avoir reçu une formation à l'utilisation et à l'entretien des unités en incluant la famille de produits complète avec toutes les documentations afférentes. Toutes les unités d'entretien doivent toujours être conformes aux directives de sécurité courantes.
- c) Tout utilisateur de l'appareil doit avoir reçu une formation à l'utilisation sûre de celui-ci, compte tenu des consignes de sécurité courantes. L'opérateur doit également se familiariser avec les documentations des autres composants de l'installation.

Important: L'expression "autres composants de l'installation" signifie tous les autres appareils de l'installation d'automatisation en liaison avec le présent produit et les informations relatives à celui-ci contenues dans le présent manuel.
Pour le nettoyage, vous devez le faire sécher e sans produits chimiques.

Signification des symboles utilisés dans le présent manuel.

Différents symboles sont utilisés dans le présent manuel pour mettre en relief certaines informations. Ces symboles servent à expliquer aux opérateurs les différentes instructions de sécurité et celles relatives aux mesures de protection. En présence des symboles, les instructions correspondantes doivent avoir été lues et l'information fournie doit être comprise. Tous les symboles utilisés sont énumérés ci-après avec un bref descriptif.

Avertissements relatifs au matériel



- 1) Désigne un danger imminent susceptible d'entraîner un dommage corporel ou un dégât matériel.



- 2) Désigne un danger éventuel susceptible d'entraîner un dommage corporel ou un dégât matériel.



- 3) Désigne un point comportant des instructions ou des explications supplémentaires.

Avertissements relatifs au logiciel



- 4) Désigne un avertissement spécial dont il faut impérativement tenir compte lors de la programmation.



- 5) Désigne une instruction spéciale dont l'utilisateur doit tenir compte en liaison avec l'emploi de l'appareil.



- 6) Désigne un point comportant des instructions supplémentaires ou des explications complémentaires.

- MITSUBISHI ELECTRIC décline toute responsabilité pour les dommages imputables à une installation ou à une utilisation incorrecte des appareils ou des accessoires.
- Tous les exemples et illustrations du présent manuel constituent une simple aide à la compréhension du texte. Nous déclinons toute responsabilité pour l'exactitude des opérations de commande représentées. MITSUBISHI ELECTRIC décline toute responsabilité pour une utilisation du produit se réclamant des exemples présentés.
- Veuillez vous adresser à votre distributeur Mitsubishi Electric pour les applications pour lesquelles des situations présentant des risques vitaux peuvent apparaître ou qui nécessitent un fonctionnement sûr élevé.

Liste des manuels complémentaires

	Nom du manuel	No. manuel	Description
⊙	Manuel du matériel $\alpha 2$ (Ce manuel)	JY992D97301	Ce manuel comporte les explications pour le câblage, l'installation et les spécifications techniques du contrôleur $\alpha 2$.
⊙	Manuel de programmation $\alpha 2$ <en anglais seulement>	JY992D97101	Ce manuel contient les explications pour la programmation du contrôleur $\alpha 2$.
○	Manuel du logiciel α <en anglais seulement>	JY992D74001	Ce manuel contient les explications pour l'installation et l'exploitation du logiciel de programmation AL-PCS/WIN-E.
○	Manuel de communication $\alpha 2$ <en anglais seulement>	JY992D97701	Ce manuel contient les explications pour l'installation, le transfert de données, le diagnostic, l'affectation des bits, etc. pour la communication via le contrôleur $\alpha 2$.
□	Manuel d'installation $\alpha 2$	JY992D97501	Ce manuel contient les explications du matériel du contrôleur $\alpha 2$.
□	Manuel d'installation AL2-4EX, AL2-4EX-A2, AL2-4EYR, AL2-4EYT	JY992D97401	Ce manuel comporte les explications du matériel et de l'installation pour des modules d'extension AL2-4EX, AL2-4EX-A2, AL2-4EYR et AL2-4EYT.
□	Manuel utilisateur AL2-EEPROM-2	JY992D96801	Ce manuel contient les explications du matériel et de l'installation pour AL2-EEPROM-2.
□	Manuel d'installation AL2-2DA	JY997D09301	Ce manuel contient les explications du matériel et de l'installation du AL2-2DA.
□	Manuel d'installation AL2-2PT-ADP	JY997D09401	Ce manuel contient les explications du matériel et de l'installation du AL2-2PT-ADP.
□	Manuel d'installation AL2-2TC-ADP	JY997D09501	Ce manuel contient les explications du matériel et de l'installation du AL2-2TC-ADP.
□	Manuel utilisateur AL-232CAB	JY992D76001	Ce manuel contient les explications du matériel et de l'installation pour AL-232CAB.
□	Manuel utilisateur AL2-GSM-CAB	JY992D97201	Ce manuel contient les explications du matériel et de l'installation pour AL2-GSM-CAB.
□	Manuel utilisateur AL-ASI-BD, AL2-ASI-BD	JY992D81401	Ce manuel comporte les explications du matériel, de l'installation et des spécifications techniques, etc. pour AL-ASI-BD et AL2-ASI-BD.

- ⊙ Ces manuels doivent être étudiés soigneusement avant d'utiliser le contrôleur.
- Se référer à ce manuel pour de plus amples informations.
- Se référer au contenu de ces manuels si nécessaire bien que cela soit inclus dans le manuel de l'appareil $\alpha 2$.

Abréviations

Les abréviations suivantes sont utilisées dans ce manuel :

- Le logiciel de programmation AL-PCS/WIN-E est nommé Logiciel VLS ou „Logiciel de programmation“.
- Pour le contrôleur $\alpha 2$ sont utilisés les termes „série $\alpha 2$ “, „contrôleur $\alpha 2$ “ ou „appareil de base“.
- Les blocs de fonctions sont abrégés avec „FB“.
- „FBD“ désigne l'abréviation pour diagramme de bloc de fonction
- Les entrées et sorties sont abrégées avec „E/S“.
- Un ordinateur personnel est désigné avec „PC“.
- „Windows“ est la désignation générale pour les systèmes d'exploitation Microsoft Windows[®], Windows[®] 95, Windows[®] 98, Windows[®] Me, WindowsNT[®] Workstation 4.0, Windows[®] 2000, Windows[®] XP et Windows Vista[®].

FRE

Utilisation de marques déposées et marques de fabrique

- Microsoft Windows[®], Windows[®] 95, Windows[®] 98, Windows[®] Me, WindowsNT[®] Workstation 4.0, Windows[®] 2000, Windows[®] XP et Windows Vista[®] sont des marques déposées ou marques de fabrique de Microsoft Corporation aux États-Unis d'Amérique et/ou d'autres pays.
- Les noms d'entreprises et de produits qui sont nommés dans ce manuel sont des marques déposées ou des marques de fabrique des entreprises correspondantes.

Sommaire

Directives de sécurité	FRE-iii
1. Introduction	FRE-1
1.1 Les particularités du contrôleur $\alpha 2$:	FRE-2
1.2 Modèles disponibles!	FRE-4
1.3 Dimensions et éléments de commande	FRE-5
1.4 Configuration du système	FRE-7
1.5 Liste des versions	FRE-8
1.6 Logiciel de programmation	FRE-8
2. Spécifications	FRE-9
2.1 Alimentation	FRE-9
2.2 Entrées	FRE-10
2.3 Sorties	FRE-12
2.4 Caractéristiques générales	FRE-13
3. Installation	FRE-15
3.1 Conseils pour l'installation	FRE-15
3.2 Montage de l'unité principale sur rail DIN	FRE-16
3.2.1 Installation	FRE-16
3.2.2 Enlèvement	FRE-16
3.3 Montage direct de l'unité principale	FRE-17
3.4 Installation du module d'extension(AL2-14MR-*,AL2-24MR-*)	FRE-18
4. Câblage	FRE-19
4.1 Remarques sur le câblage de l'installation	FRE-19
4.2 Dimension des câbles	FRE-19
4.3 Alimentation	FRE-20
4.4 Câblage de l'alimentation CA et de l'entrée	FRE-21
4.4.1 Câblage de l'alimentation CA et de l'entrée	FRE-21
4.4.2 Câblage de l'entrée AL2-4EX-A2	FRE-21
4.5 Câblage de l'alimentation CC et de l'entrée	FRE-22
4.5.1 Plan de câblage de l'alimentation CC et de l'entrée source ("+" commun)	FRE-22
4.5.2 Plan de câblage de l'entrée source ("+" commun) AL2-4EX	FRE-22
4.5.3 Plan de câblage de l'alimentation CC et de l'entrée ("-")	FRE-23
4.5.4 Plan de câblage de l'entrée sink ("-") AL2-4EX	FRE-23
4.6 Câblage des sorties relais et transistors	FRE-24
4.6.1 Plan de câblage de la sortie relais de l'unité principale (CA et/ou CC)	FRE-24
4.6.2 Plan de câblage de la sortie relais AL2-4EYR (CA et/ou CC)	FRE-24
4.6.3 Plan de câblage de la sortie transistor (source ou seulement "+" commun) AL2-4EYT	FRE-25
5. Affectation des bornes	FRE-27
6. AL2-EEPROM-2	FRE-30
6.1 Installation	FRE-31

7. AL-232CAB	FRE-32
7.1 Installation	FRE-32
7.1.1 Dimensions.....	FRE-32
7.2 Connexion avec le câble AL-232CAB	FRE-32
8. AL2-GSM-CAB	FRE-36
8.1 Introduction.....	FRE-36
8.1.1 Dimensions.....	FRE-36
8.1.2 Configuration du système en utilisant AL2-GSM-CAB	FRE-37
8.2 Installation	FRE-38
8.3 Installation du modem	FRE-40
8.3.1 Modems recommandés.....	FRE-40
8.3.2 Câble RS-232C entre le modem et AL2-GSM-CAB	FRE-40
8.3.3 Réglages du modem	FRE-41
9. AL2-ASI-BD (AL2-14MR-*, AL2-24MR-*).....	FRE-44
9.1 Introduction.....	FRE-44
9.1.1 Dimensions.....	FRE-44
9.1.2 Configuration du système.....	FRE-45
9.2 Spécifications	FRE-45
9.3 Câblage et Installation	FRE-46
9.3.1 Installation	FRE-46
9.3.2 Câblage	FRE-47
9.4 Réglage de l'adresse esclave et diagnostics.....	FRE-47
9.4.1 Réglage de l'adresse esclave	FRE-47
9.4.2 Contrôles à effectuer en cas d'erreur :	FRE-47
10. Horloge radiopilotée DCF77	FRE-48
10.1 Vue d'ensemble.....	FRE-48
10.2 Configuration du système.....	FRE-49
10.3 Données techniques.....	FRE-49
10.4 Raccordement	FRE-51
10.4.1 Câblage	FRE-51
10.4.2 Configuration du DCF77 à partir de l'affichage $\alpha 2$	FRE-52
10.4.3 Démarrage automatique.....	FRE-53
10.4.4 Arrêt automatique	FRE-53
10.4.5 Vérification de l'heure reçue.....	FRE-53
11. AL2-2DA (AL2-14MR-*, AL2-24MR-*).....	FRE-54
11.1 Vue d'ensemble.....	FRE-55
11.1.1 Dimensions extérieures.....	FRE-55
11.1.2 Configuration du système.....	FRE-55
11.2 Données techniques.....	FRE-56
11.3 Installation et câblage.....	FRE-57
11.3.1 Installation	FRE-57
11.3.2 Câblage	FRE-58
11.3.3 Diagnostic.....	FRE-59

12.AL2-2PT-ADP	FRE-60
12.1 Vue d'ensemble	FRE-61
12.1.1 Dimensions extérieures	FRE-61
12.2 Configuration du système	FRE-61
12.3 Données techniques	FRE-62
12.4 Installation et câblage	FRE-64
12.4.1 Installation	FRE-64
12.4.2 Câblage	FRE-65
12.4.3 Choix de l'unité de mesure pour la température	FRE-66
12.4.4 Réglage de l'offset	FRE-67
12.4.5 Réglage du gain	FRE-68
12.4.6 Réglage précis de l'offset	FRE-70
12.4.7 Diagnostic	FRE-71
13.AL2-2TC-ADP	FRE-72
13.1 Vue d'ensemble	FRE-73
13.1.1 Dimensions extérieures	FRE-73
13.2 Configuration du système	FRE-73
13.3 Données techniques	FRE-74
13.4 Installation et câblage	FRE-76
13.4.1 Installation	FRE-76
13.4.2 Câblage	FRE-77
13.4.3 Choix de l'unité de mesure pour la température	FRE-78
13.4.4 Réglage de l'offset	FRE-79
13.4.5 Réglage du gain	FRE-80
13.4.6 Réglage précis de l'offset	FRE-82
13.4.7 Diagnostic	FRE-83
14.Listes des touches, bits du système et blocs de fonctions	FRE-84
14.1 Listes des touches	FRE-84
14.2 Listes des bits du système	FRE-85
14.2.1 Listes des bits du système	FRE-85
14.2.2 Listes des bits de contrôle	FRE-86
14.3 Listes des blocs fonctions	FRE-87
15.Diagnostics	FRE-93
15.1 Erreur de l'état de l'entrée	FRE-93
15.2 Erreur de l'état de la sortie	FRE-94
15.3 Menu principal n'est pas affiché	FRE-94
15.4 Passage dans le mode Run impossible	FRE-95
15.5 Donnée d'horloge incorrecte	FRE-96
15.6 Le "?" apparaît sur l'écran	FRE-96
15.7 Les touches de fonction ne peuvent pas être utilisées	FRE-96
15.8 Affichage à cristaux liquides incorrect	FRE-98
15.9 Cassette mémoire ne fonctionne pas correctement	FRE-98
15.10La communication avec le module maître de l'interface AS est perturbée ..	FRE-99
15.11La communication avec AL-PCS/WIN-E est perturbée	FRE-100

FRE

1. Introduction

La série $\alpha 2$ peut être facilement utilisée là où l'usine doit procéder au contrôle. Le contrôleur délivre un cycle ON/OFF pour contrôler l'équipement électrique selon un programme de bloc de fonctions.

L'installation et le fonctionnement du contrôleur sont expliquées dans le manuel de programmation $\alpha 2$. Une explication détaillée du logiciel de programmation AL-PCS/WIN-E est disponible dans le manuel du logiciel $\alpha 2$.

Applications

Le contrôleur $\alpha 2$ est conçu pour être utilisé dans les domaines d'applications suivants :

- Automatisation de lumières, air conditionné ou systèmes d'irrigation
- Ouverture et fermeture de portes
- Systèmes de sécurité simples
- Automatisation de systèmes de distribution de nourriture pour animaux domestiques
- Contrôle de circulation d'air dans les parcs à bétail et serres

Toutefois, le contrôleur $\alpha 2$ n'est pas conçu pour être utilisé dans les applications suivantes. Veuillez contacter un distributeur Mitsubishi pour de plus amples informations.

- Applications où une fiabilité élevée est exigée comme le contrôle de centrales nucléaires, le trafic ferroviaire, les installations aériennes, les véhicules avec équipement de combustion, et l'équipement médical.
- Applications dans des situations critiques pour la vie.

FRE

1.1 Les particularités du contrôleur $\alpha 2$:

- 1) Affichage des informations et données du bloc de fonction
Le contrôleur $\alpha 2$ peut afficher l'état du fonctionnement et les signaux d'alarme sur un affichage à cristaux liquides comme un message. Il peut afficher les informations suivantes en utilisant le bloc de fonction. La valeur des temporisations et compteurs affichée peut être modifiée dans le mode RUN.
 - Nombre de caractères sur l'affichage à cristaux liquides : 12 caractères \times 4 lignes
 - Valeurs affichées : informations, valeurs (actuelle ou de consigne) des temporisations et compteurs, valeurs analogiques, etc.
- 2) La programmation via un ordinateur est simple et rapide
Le logiciel de programmation AL-PCS/WIN-E pour Windows peut réaliser et sauvegarder les programmes. La programmation peut être réalisée en utilisant une méthode graphique dans laquelle les lignes sont utilisées pour connecter les blocs de fonction sur un écran de programmation. Une programmation directe en utilisant les touches du panneau avant du contrôleur $\alpha 2$ est également possible.
- 3) Communication des contenus de l'écran via un modem GSM
Les contenus de l'écran peuvent être envoyés par e-mail en utilisant un modem GSM. L'utilisateur peut de la même façon surveiller l'état d'une application en accédant aux messages de diagnostic envoyés comme e-mail via le modem GSM.
- 4) Support de liaison ordinateur en utilisant un protocole étendu
Le contrôleur $\alpha 2$ (AL2-14MR-*,AL2-24MR-*) supporte une liaison ordinateur (protocole étendu). Un logiciel d'application spécifique à l'utilisateur en utilisant la liaison ordinateur peut être utilisé pour modifier les données, les paramètres dans les blocs de fonctions et pour la surveillance de l'application.
- 5) Augmentation de la fonction de l'horloge
La fonction de temporisation hebdomadaire et de gestion calendaire possède plusieurs fonctions qui permettent un contrôle puissant du temps.
- 6) Entrée analogique, 0 - 10V/0 - 500, -50 °C – 200 °C (PT100), -50 °C – 450 °C (thermocouple de type K)
L'entrée CC du contrôleur $\alpha 2$ peut accepter des signaux 0 - 10V avec une résolution de 0 - 500.
- 7) Sortie analogique, 0 – 4000 / 0 - 10 V, 0 - 2000 / 4 - 20mA
Tensions et courants peuvent être sortis avec le contrôleur $\alpha 2$.
- 8) Compteur à grande vitesse, 1kHz maxi
Le contrôleur $\alpha 2$ possède des compteurs à grande vitesse (2 adresses maxi) lorsque le module AL2-4EX (EI1, EI2) est utilisé.

9) Courant de sortie maximum

Tableau 1.1: Courant de sortie maximum

Type de sortie		Courant de sortie maximum
RELAIS	AL2-10MR-*: O01 - O04 AL2-14MR-*: O01 - O06 AL2-24MR-*: O01 - O04	8A/total
	AL2-24MR-*: O05 - O09 AL2-4EYR: EO1 - EO4	2A/borne (4A/total)
TRANSISTOR	AL2-4EYT: EO1 - EO4	1A/borne

10)EEPROM intégrée

L'intégration d'une EEPROM élimine la nécessité d'une batterie pour la sauvegarde de données lors d'une coupure de courant.

11)Supporte 7 langues:

Le contrôleur $\alpha 2$ supporte 7 langues (anglais, allemand, français, italien, espagnol, suédois et russe^{*1}). La langue affichée peut être sélectionnée dans le menu principal.

*1 V3.00 ou supérieure

1.2 Modèles disponibles I

Tableau 1.2: Unité principale

Modèle	Alimenta- tion en courant	Entrées		Sorties		Dimensions mm	Poids (kg)
		Type	Nombre	Type	Nombre		
AL2-10MR-A	100 - 240V CA~	100 - 240V CA~	6	RELAIS	4	71,2 x 90 x 52	0.21
AL2-10MR-D	24V CC	24VCC Sink/Source	6	RELAIS	4		0.20
AL2-14MR-A	100 - 240V CA~	100 - 240V CA~	8	RELAIS	6	124,6 x 90 x 52	0,30 ^{*1}
AL2-14MR-D	24V CC	24V CC Sink/Source	8	RELAIS	6		
AL2-24MR-A	100 - 240V CA~	100 - 240V CA~	15	RELAIS	9		0,35 ^{*1}
AL2-24MR-D	24V CC	24V CC Sink/Source	15	RELAIS	9		0,30 ^{*1}

*1 Sans modules fonctionnels spéciaux

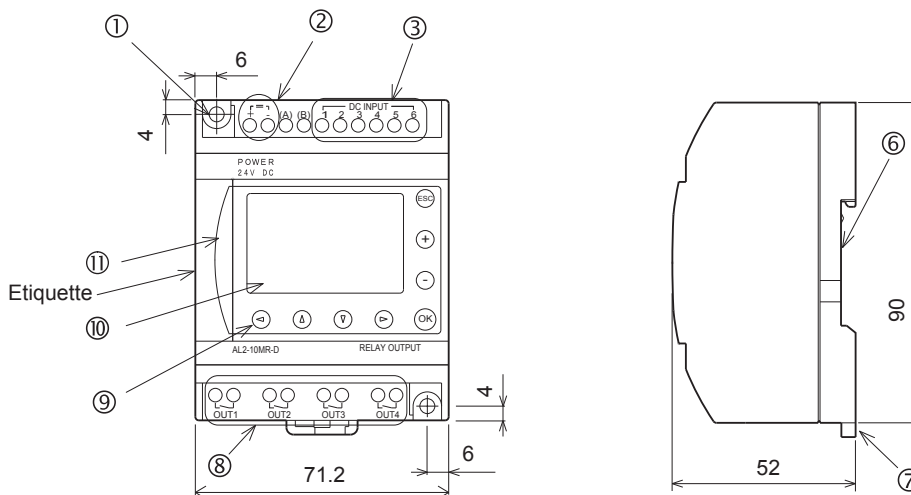
Tableau 1.3: Module d'extension

Modèle	Entrées		Sorties		Poids (kg)
	Type	Nombre	Type	Nombre	
AL2-4EX-A2	220 - 240V CA~	4	—		0,05
AL2-4EX	24V CC, Sink/Source	4	—		
AL2-4EYR	—		RELAIS	4	
AL2-4EYT	—		TRANSISTOR	4	
AL2-ASI-BD	AS-Interface (entrées)	4	AS-Interface (sorties)	4	
AL2-2DA ^{*1}	—		Sortie analogique („0 – 10 V“ ou „4 – 20 mA)	2	
AL2-2PT-ADP ^{*1}	Adaptateur de mesure de température (PT100)	2	Analogue (0 à 10 V)	2	
AL2-2TC-ADP ^{*1}	Adaptateur de mesure de température (thermocouple de type K)	2	Analogue (0 à 10 V)	2	

*1 Le module d'extension AL2-2DA et les adaptateurs AL2-2PT-ADP et AL2-2TC-ADP peuvent être implantés uniquement en association avec un appareil de base AL2 version V2.00 ou supérieure.

1.3 Dimensions et éléments de commande

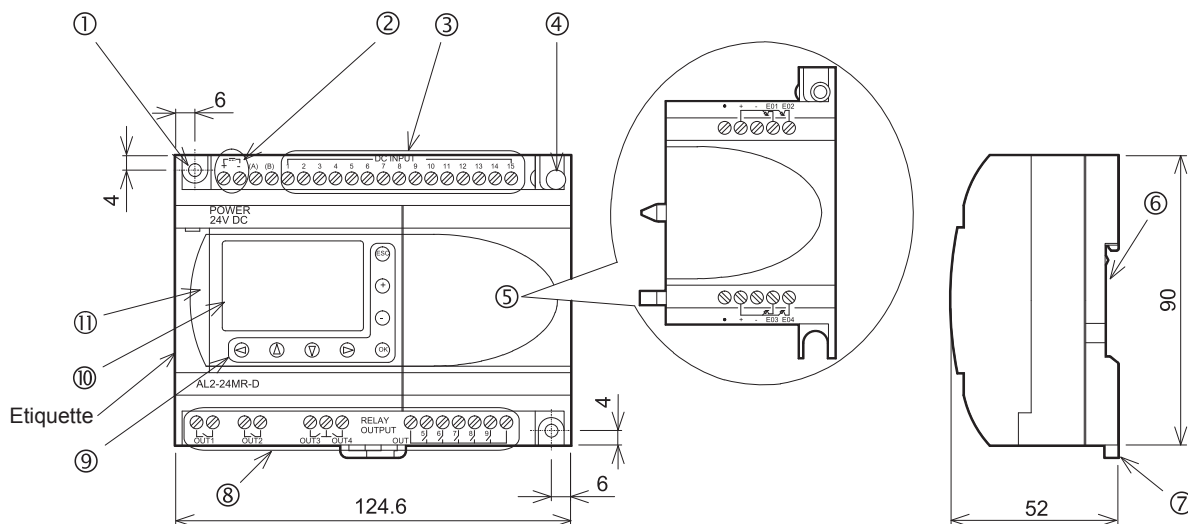
Figure 1.1: Éléments de commande(AL2-10MR-*)



Etiquette imprimée

⚠ Ce signe indique que le câble doit être utilisé à la température (80 °C o plus).

Figure 1.2: Éléments de commande(AL2-14MR-*,AL2-24MR-*)



Etiquette imprimée

⚠ Ce signe indique que le câble doit être utilisé à la température (80 °C o plus).

FRE

Tableau 1.4:Description de l'appareil

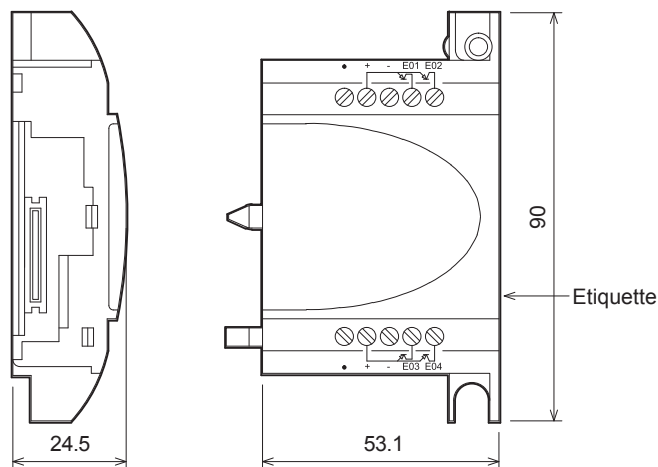
No.	Description
1	Trou d'assemblage, diam. 4,2 mm
2	Bornes d'alimentation en tension
3	Bornes des entrées
4	Vis de montage pour le couvercle d'extension ou le module d'extension
5	Couvercle ou module d'extension (AL2-14MR-*,AL2-24MR-*)
6	Rainure pour le montage sur rail DIN (largeur du rail DIN 35mm <DIN EN 50022>)
7	Pinces d'assemblage du rail DIN
8	Bornes des sorties
9	Touches de commande
10	Affichage à cristaux liquides
11	Couvercle du port de programmation



Remarque

- Les dimensions du AL-232CAB sont indiquées dans le chapitre 7.
- Les dimensions du AL2-GSM-CAB sont indiquées dans le chapitre 8.
- Les dimensions du AL2-ASI-BD sont indiquées dans le chapitre 9.
- Les dimensions du AL2-2DA sont indiquées dans le chapitre 11.
- Les dimensions du AL2-2PT-ADP sont indiquées dans le chapitre 12.
- Les dimensions du AL2-2TC-ADP sont indiquées dans le chapitre 13.

Figure 1.3: Dimensions (AL2-4EX, AL2-2EX-A2, AL2-4EYR, AL2-4EYT)



Etiquette imprimée

⚠ Ce signe indique que le câble doit être utilisé à la température (80 °C o plus).

1.4 Configuration du système

Figure 1.4: Configuration du système(AL2-10MR-*)

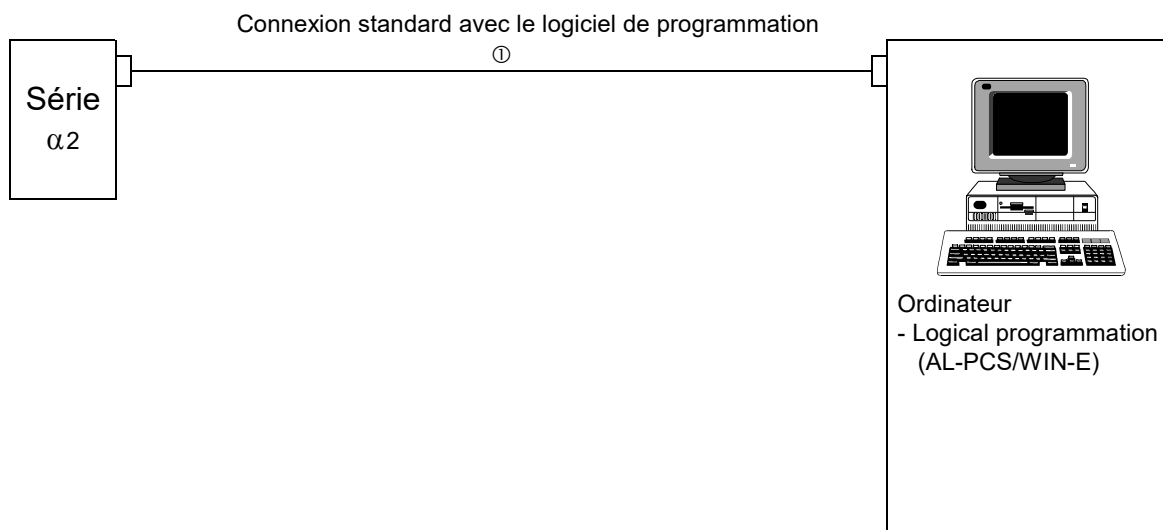


Figure 1.5: Configuration du système(AL2-14MR-*,AL2-24MR-*)

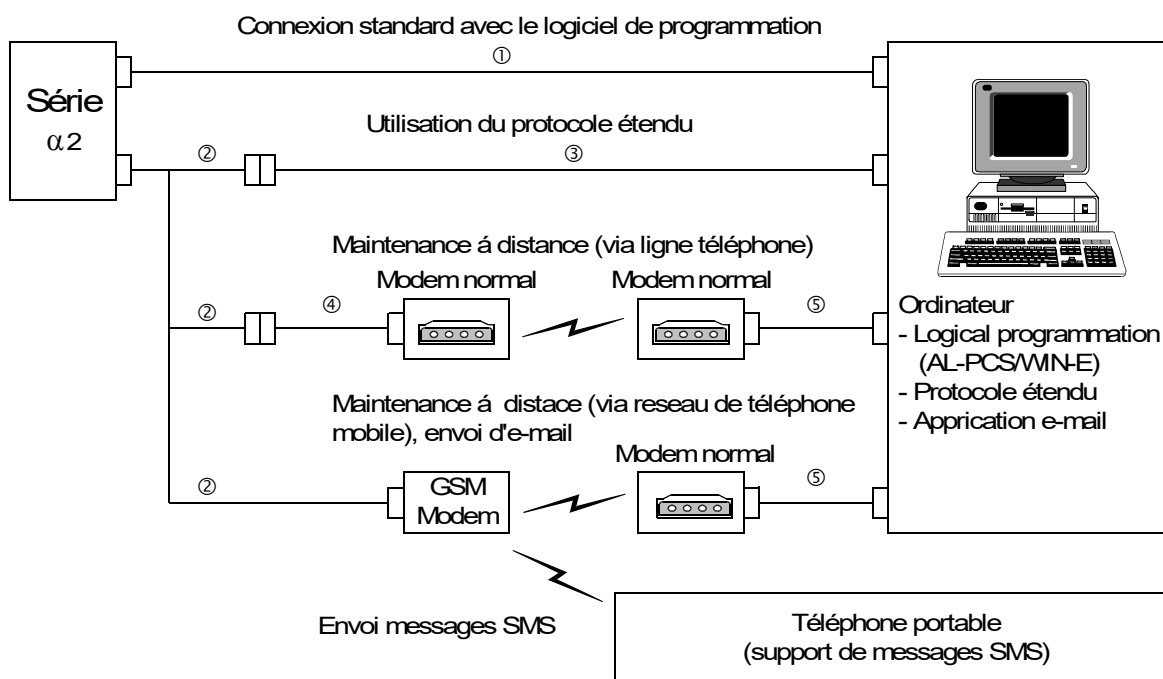


Tableau 1.5: Configuration du système

Élément	Câble utilisé
1	AL-232CAB
2	AL2-GSM-CAB
3	RS-232C câble sériel *1
4	RS-232C câble pour le modem *1
5	RS-232C câble pour le modem (spécifié par le fabricant du modem)

*1 De plus amples informations sont disponibles dans le chapitre 8.

FRE

1.5 Liste des versions

Tableau 1.6: Évolution du contrôleur $\alpha 2$

Version	Description
V1.00	Premier produit
V2.00	Supporte : <ul style="list-style-type: none"> • AL2-2DA, AL2-2PT-ADP et AL2-2TC-ADP • Nouveaux blocs de fonction AO [sortie analogique] et PID [régulation PID] • Horloge radiopilotée DCF77
V2.20	Supporte : <ul style="list-style-type: none"> • Nouveaux blocs de fonction SMR [Réception d'un texto] et CD [Identification d'appel] • Protection avancée du programme utilisateur • Configuration avancée de l'heure d'été • Communication spéciale avancée • GSM SIM PIN • Chaîne d'initialisation de modem
V3.00	Supporte : <ul style="list-style-type: none"> • Compteur horaire sauvegardé par EEPROM (N° 197 - 200) • Lecture de la mémoire tampon affichée par un protocole spécialisé • Addition de la langue russe

1.6 Logiciel de programmation

Tableau 1.7: Logiciels de programmation utilisables

Version du contrôleur $\alpha 2$	Version du logiciel de programmation (AL-PCS/WIN-E)
V1.00	V2.00 ou supérieure
V2.00	V2.30 ou supérieure
V2.20	V2.40 ou supérieure
V3.00	V2.50 ou supérieure



Remarque

- Les versions AL-PCS/WIN-E antérieurs à V2.00 ne sont pas supportées par la série $\alpha 2$.
- N'utilisez pas les modules d'extension et adaptateurs AL2-2DA, AL2-2PT-ADP et AL2-2TC-ADP en association avec le logiciel AL-PCS/WIN-E d'une version antérieur à V2.30.

2. Spécifications

Remarque

- Vous trouverez les données techniques du AL2-ASI-BD dans le chapitre 9.
- Vous trouverez les données techniques du AL2-2DA dans le chapitre 11.
- Vous trouverez les données techniques du AL2-2PT-ADP dans le chapitre 12.
- Vous trouverez les données techniques du AL2-2TC-ADP dans le chapitre 13.

2.1 Alimentation

Tableau 2.1: Caractéristiques de l'alimentation

Description	Modèle	Données techniques
Alimentation en courant	AL2-***-A	100 - 240V CA~, +10% -15%, 50/60 Hz
	AL2-***-D	24V CC, +20% -15%
Temps maximal d'absence de courant autorisé	AL2-***-A	10ms
	AL2-***-D	5ms
Valeurs de pointe de l'intensité	AL2-***-A, 240V CA~ (120V CA~)	$\leq 6,5 \text{ A (3,5 A) } < 5\text{ms}$
	AL2-***-D, 24V CC	$\leq 7,0 \text{ A}$
Puissance absorbée max.	AL2-10MR-A, 264V CA~	4,9 W
	AL2-10MR-D, 28,8V CC	4,0 W
	AL2-14MR-A, 264V CA~	5,5 W
	AL2-14MR-D, 28,8V CC	7,5 W
	AL2-24MR-A, 264V CA~	7,0 W
	AL2-24MR-D, 28,8V CC	9,0 W
Puissance absorbée typ. (Sans modules fonctionnels spéciaux)	AL2-10MR-A, 240V CA~	E/S „1“ - 3,5 W, E/S „0“ - 1,85 W
	AL2-10MR-A, 120V CA~	E/S „1“ - 3,0 W, E/S „0“ - 1,55 W
	AL2-10MR-D, 24V CC	E/S „1“ - 2,5 W, E/S „0“ - 0,75 W
	AL2-14MR-A, 240V CA~	E/S „1“ - 4,5 W, E/S „0“ - 2,0 W
	AL2-14MR-A, 120V CA~	E/S „1“ - 3,5 W, E/S „0“ - 1,5 W
	AL2-14MR-D, 24V CC	E/S „1“ - 4,0 W, E/S „0“ - 1,0 W
	AL2-24MR-A, 240V CA~	E/S „1“ - 5,5 W, E/S „0“ - 2,5 W
	AL2-24MR-A, 120V CA~	E/S „1“ - 4,5 W, E/S „0“ - 2,0 W
	AL2-24MR-D, 24V CC	E/S „1“ - 5,0 W, E/S „0“ - 1,0 W
Fusible	AL2-***-A	Taux: 250 V 1 A
	AL2-10MR-D	Type: Temporisation
	AL2-14MR-D	Taux: 250 V 500 mA
	AL2-24MR-D	Type: Temporisation

FRE

2.2 Entrées

Tableau 2.2: Données techniques des entrées CA

Description	Données techniques		
	Unité principale		AL2-4EX-A2
	AL2-10MR-A: I01~I06 AL2-14MR-A, AL2-24MR-A: I01~I08	AL2-24MR-A: I09 - I15	EI1 - EI4
Tension d'entrée	100 - 240V CA~, +10% -15%, 50/60 Hz		220 - 240V CA~, +10% -15%, 50/60 Hz
Courant d'entrée	0,13mA / 120V CA~*1 0,25mA / 240V CA~*1	0,15mA / 120V CA~*1 0,29mA / 240V CA~*1	7.5mA / 240V CA~ 50Hz 9.0mA / 240V CA~ 60Hz
Impédance d'entrée	≥ 800 kΩ		32kΩ (50Hz) 27kΩ (60Hz)
Signal 0 -> Signal 1 / Signal 1 -> Signal 0	≥ 80V / ≤ 40V		≥ 160V / ≤ 40V
Temps de réponse	Signal 0 -> Signal 1	35-85ms / 120V CA~ 25-55ms / 240V CA~	15 - 40ms / 240V CA~
	Signal 1 -> Signal 0	35-85ms / 120V CA~ 50-130ms / 240V CA~	
Isolement du circuit	Non		Optocoupleur
Affichage de service	Affichage à cristaux liquides		

*1 La perte de courant depuis les capteurs connectés aux entrées peut fournir assez de courant pour commuter le contrôleur sur ON. Ne pas connecter deux capteurs câblés aux terminaux d'entrée.

Tableau 2.3: Données techniques des entrées CC

Description			Sink ("-" Commun)	Source ("+" Commun)
Tension d'entrée			24V CC +20% -15%	24V CC +20% -15%
Courant d'entrée	Unité principale	AL2-10MR-D I01 - I06	5,5mA, 24V CC	6,0mA, 24V CC
		AL2-14MR-D I01 - I08		
		AL2-24MR-D I09 - I15		
	AL2-4EX	EI1 - EI4	5,4mA, 24V CC	5,4mA, 24V CC
Signal 0 -> Signal 1	Unité principale	I01 - I15	Courant: ≥ 4,7mA / ≤ 1,1 mA Tension: ≤ 4V / ≥ 18V	Tension: ≥ 18V / ≤ 4V
Signal 1 -> Signal 0				
Temps de réponse	Unité principale		10 - 20ms	
	AL2-4EX *1		10 - 20ms	
Isolement du circuit	Unité principale		Non	
	AL2-4EX		Optocoupleur	
Affichage de service			Affichage à cristaux liquides	

*1 EI1 et EI2 pour le AL2-4EX peuvent être utilisés pour les entrées du compteur à grande vitesse. Toutefois, le temps de réponse pour les entrées du compteur à grande vitesse est de 0,5 ms ou moins.

**Tableau 2.4: Données techniques des entrées analogiques
(Seulement unité de type AL2-***-D)**

Description	Données techniques des entrées analogiques
Nombre d'entrées analogiques	6 (I01 - I06) : AL2 - 10MR - D
	8 (I01 - I08) : AL2 - 14MR - D, AL2 - 24MR - D
Gamme d'entrées analogiques	0 - 500
Résolution	9 bits, 20mV (10V/ 500)
Vitesse de conversion	8ms
Tension d'entrée	0 - 10V CC
Impédance d'entrée	142k Ω \pm 5%
Précision générale	\pm 5% (0.5V CC)
Offset/Gain	Valeur Offset = 0 à 0V CC Valeur Gain: 0 - 10V = 0 - 250 Les paramètres par défaut peuvent être modifiés dans le bloc de fonction Offset
Glissement de température	\pm 3 LSB

FRE

2.3 Sorties

Tableau 2.5: Données techniques des sorties relais

Description		Données techniques
Tensions de démarrage		250V CA~ ou moins, 30V CC ou moins
Charge résistive maxi.	AL2-10MR-* (O01 - O04)	8A/commun
	AL2-14MR-* (O01 - O06)	
	AL2-24MR-* (O01 - O04)	
	AL2-24MR-* (O05 - O09)	2A/point (4A/commun)
	AL2-4EYR (EO1 - EO4)	2A/point
Durée de vie des contacts / Résistance	AL2-10MR-* (O01 - O04)	100000 Cycles à 8 A / 240V CA~ ou 24V CC
	AL2-14MR-* (O01 - O06)	
	AL2-24MR-* (O01 - O04)	
	AL2-24MR-* (O05 - O09)	100000 Cycles à 2 A / 240V CA~ ou 24V CC
	AL2-4EYR (EO1 - EO4)	
Charge min.		50mW (10mA à 5V CC)
Charge inductive maxi.	AL2-10MR-* (O01 - O04)	249 VA (1/3 hp) / 125V CA~, 373 VA (1/2 hp) / 250V CA~
	AL2-14MR-* (O01 - O06)	
	AL2-24MR-* (O01 - O04)	
	AL2-24MR-* (O05 - O09)	93 VA (1/8 hp) / 125V CA~, 93 VA (1/8 hp) / 250V CA~
	AL2-4EYR (EO1 - EO4)	
Temps de réponse		≤ 10 ms
Affichage de service		Affichage à cristaux liquides
Isolement du circuit		par relais

Tableau 2.6: Données techniques des sorties transistors (seulement source) pour AL2-4EYT

Description	Données techniques
Tensions de démarrage	5 - 24V CC (+ 20%, -5%)
Charge résistive maxi.	1A / borne (8 - 24V CC), 0,1A / borne (5 - 8V CC)
Charge min.	1,0mA
Charge inductive max.	1A / 24V CC (24 W)
Temps de réponse 1 -> 0 / 0 -> 1 (env.)	≤ 1 ms
Courant de fuite	$\leq 0,1$ mA / 24V CC
Affichage de service	Affichage à cristaux liquides
Isolement du circuit	Optocoupleur

2.4 Caractéristiques générales

Tableau 2.7: Conditions ambiantes

Description	Données techniques
Méthode de programmation	Bloc de fonction
Capacité du programme	200 blocs de fonction ou 5000 Bytes
Sauvegarde du programme	EEPROM incorporé (pas de pile nécessaire) ou cassette EEPROM facultative (AL2-EEPROM-2)
Sauvegarde des opérandes	20 jours à 25°C / 77°F (par condensateur)
Sauvegarde de l'horloge temps réel	20 jours à 25°C / 77°F (par condensateur)
Précision de l'horloge temps réel	5 s / jour (25°C / 77°F)
Température de fonctionnement	Matériel du contrôleur : (-25) - 55°C / (-13) - 131°F Affichage du contrôleur : (-10) - 55°C / 14 - 131°F
Température de stockage	(-30) - 70 °C / (-22) - 158°F
Résistance aux vibrations Montage direct	selon IEC 68-2-6; 10-57 Hz: 0,15 mm amplitude constante 57-150 Hz: 19,6 m/s ² Accélération Nombre de balayages pour X,Y,Z: 10 fois (80 min. dans les 3 directions d'axe)
Résistance aux vibrations Montage sur rail DIN	selon IEC 68-2-6; 10-57 Hz: 0,075 mm amplitude constante 57-150 Hz: 9,8 m/s ² Accélération Nombre de balayages pour X,Y,Z: 10 fois (80 min. dans les 3 directions d'axe)
Résistance aux chocs	selon IEC 68-2-27: 147m/s ² Accélération, temps d'action: 11 ms 3 fois dans les 3 directions d'axe X,Y et Z
Résistance aux tensions parasites	1000Vpp, 1 microseconde, 30 - 100 Hz, testé par simulateur de bruits
Humidité	Humidité relative 35 - 85%, sans condensation
Rigidité diélectrique	3750 V CA~ pendant une minute entre les points suivants : Bornes de tension/des entrées et bornes des sorties relais Bornes de des sorties relais et bornes des sorties relais Toutes les bornes et le coffret (DIN 43880) et d'autres
Résistance d'isolement	7 M Ω à 500 V CC entre les points suivants : Bornes de tension/des entrées et bornes des sorties relais Bornes de des sorties relais et bornes des sorties relais Toutes les bornes et le coffret (DIN 43880) et d'autres
Degré de pollution	2
Prise de terre	Non
Isolation électrique	Isolation primaire et secondaire renforcée
Conditions d'environnement	Éviter les atmosphères chargées en gaz corrosifs, montage à l'abri de la poussière
Protection	IP 20
Température pour le test de pression de balle	75°C (167°F)
Altitude de travail	<2000 m ^{*1}
Emplacement d'installation	A l'intérieur d'un panneau de commande ^{*2}
Catégorie de surtension	II

FRE

Tableau 2.7: Conditions ambiantes

Description		Données techniques
Directive CE	EMC	EN61131-2: 2007
	LVD	EN61131-2: 2007 ^{*3} EN IEC 61010-2-201 ^{*3*4}
Certification d'UL/ULC		Numéro de dossier: E95239 ^{*5}
Affichage à cristaux liquides		Permettra d'afficher quatre lignes de 12 caractères, mode Exécution de programme marche/arrêt, sécurisation par mot de passe, tables d'images et de blocs de fonction durant la programmation.

*1 Le contrôleur de la série $\alpha 2$ ne peut pas être utilisé à une pression supérieure à la pression atmosphérique pour éviter le dommage.

*2 Le contrôleur de la série $\alpha 2$ est supposé être installé dans un environnement équivalent à l'intérieur.

*3 Pour les contrôleurs de série $\alpha 2$ fabriqués avant le 28 février 2018 sont conformes à la norme EN61131-2: 2007, après le 1er mars 2018 sont conformes à la norme EN IEC 61010-2-201.

*4 Pour certains modèles fabriqués après le 1er janvier 2018, ils sont conformes à la norme EN IEC 61010-2-201.

*5 AL2-ASI-BD ne répond pas à ces standards.

Mise en garde concernant la conformité à la directive LVD (EN IEC 61010-2-201)

- S'il vous plaît utiliser le contrôleur série $\alpha 2$ lorsqu'ils sont installés dans les panneaux de commande blindés conducteurs dans un environnement industriel en général.
- Les contrôleurs de la série $\alpha 2$ sont des dispositifs de type ouvert qui doivent être installés et utilisés dans des tableaux de commande conducteurs.
Veuillez fixer le couvercle du panneau de commande au panneau de commande (pour la conduction).
- Pour le panneau de commande, utiliser le produit ayant une résistance suffisante, protection contre le feu et la propriété de protection à un environnement d'installation.
- Pour un port de connexion externe autre que la borne d'alimentation CA et la borne d'entrée/sortie CA, connectez le circuit séparé d'une tension dangereuse par une isolation double/renforcée.
- Lors du câblage, veuillez insérer le câble complètement dans le bornier.
- Un dispositif de coupure tel qu'un disjoncteur ou un protecteur de circuit doit être installé conformément aux précautions suivantes.
 - Utiliser les normes EN60947-1 ou EN60947-3.
 - Placez le dispositif de coupure de façon à pouvoir l'utiliser facilement.
 - Spécifiez que le périphérique de coupure est pour cet équipement.

3. Installation

3.1 Conseils pour l'installation

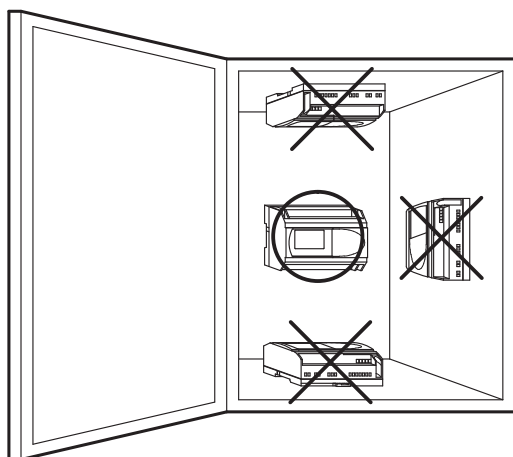


La conception de sécurité du contrôleur $\alpha 2$ signifie que l'utilisateur peut l'installer presque partout, mais toutefois en prenant en considération les points suivants.

- Ne pas installer le système dans des endroits où l'atmosphère est riche en poussières conductrices, en gaz corrosifs ou inflammables. Ne pas l'exposer à l'humidité ou à la pluie, à une chaleur excessive, à des chocs ou à des vibrations importantes. Ne pas le mettre dans l'eau, protéger le contrôleur contre les risques d'infiltration d'eau.
- Veuillez à ce qu'aucun élément étranger ne tombe dans l'appareil.
- Éloignez autant que possible l'appareil des câbles et équipements haute tension, ainsi que des appareils de puissance.
- Le contrôleur $\alpha 2$ doit être installé dans un coffret conforme à la norme DIN 43880 ou dans un boîtier de commande.
- Si vous pouvez toucher l' $\alpha 2$ dans le panneau électrique, méfiez-vous de l'électricité statique.

FRE

Figure 3.1: Exemple de montage



- Utilisez des vis M4 pour l'assemblage par trous filetés.
- Les connecteurs doivent être recouverts pour éviter de vous blesser en touchant des fils sous tension.
- Laissez au moins 10 mm d'espace pour l'aération entre les bords supérieur et inférieur du contrôleur $\alpha 2$ et les parois qui le renferment.
- Ne désassemblez pas le contrôleur $\alpha 2$.



Remarque

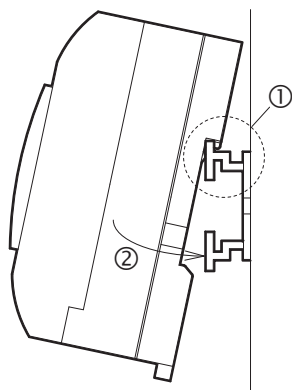
- Se référer au chapitre 6 lors de l'installation ou de l'enlèvement du AL2-EEPROM-2.
- Se référer au chapitre 7 lors de l'installation ou de l'enlèvement de l'AL-232CAB.
- Se référer au chapitre 8 lors de l'installation ou de l'enlèvement de l'AL2-GSM-CAB.
- Se référer au chapitre 9 lors de l'installation ou de l'enlèvement de l'AL2-ASI-BD.
- Se référer au chapitre 11 lors de l'installation ou de l'enlèvement de l'AL2-2DA.
- Se référer au chapitre 12 lors de l'installation ou de l'enlèvement de l'AL2-2PT-ADP.
- Se référer au chapitre 13 lors de l'installation ou de l'enlèvement de l'AL2-2TC-ADP.

3.2 Montage de l'unité principale sur rail DIN

Les appareils peuvent être montés sur un rail DIN 35 mm (DIN EN 50022) par encochage. Pour le démontage de l'appareil, retirez le dispositif de montage rapide à l'aide d'un tournevis et ôtez l'appareil du rail.

3.2.1 Installation

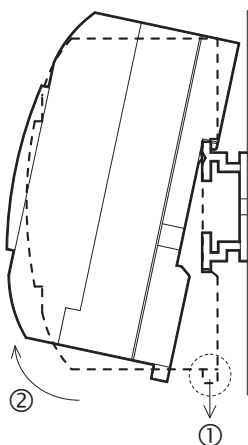
Figure 3.2: Installation



Alignez tout d'abord la partie supérieure du rail dans la rainure prévue à cet effet sur le contrôleur (①) et enfoncez la partie inférieure sur le rail (②).

3.2.2 Enlèvement

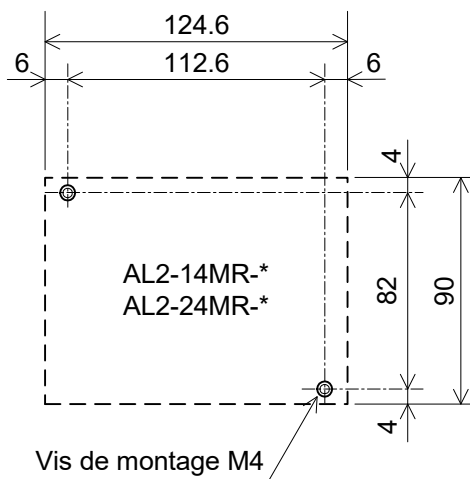
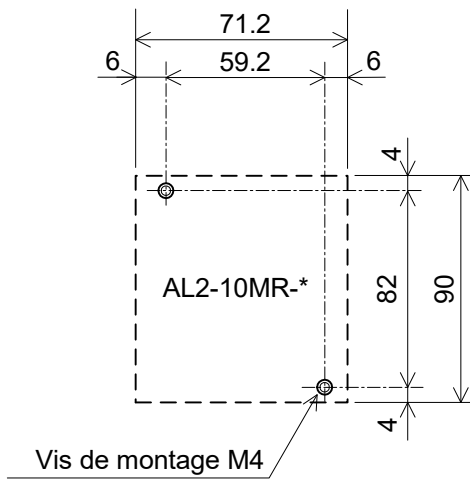
Figure 3.3: Enlèvement



Tirez le crochet du rail DIN vers le bas (①) et enlevez le contrôleur $\alpha 2$ du rail DIN (②).

3.3 Montage direct de l'unité principale

Figure 3.4: Montage direct



FRE

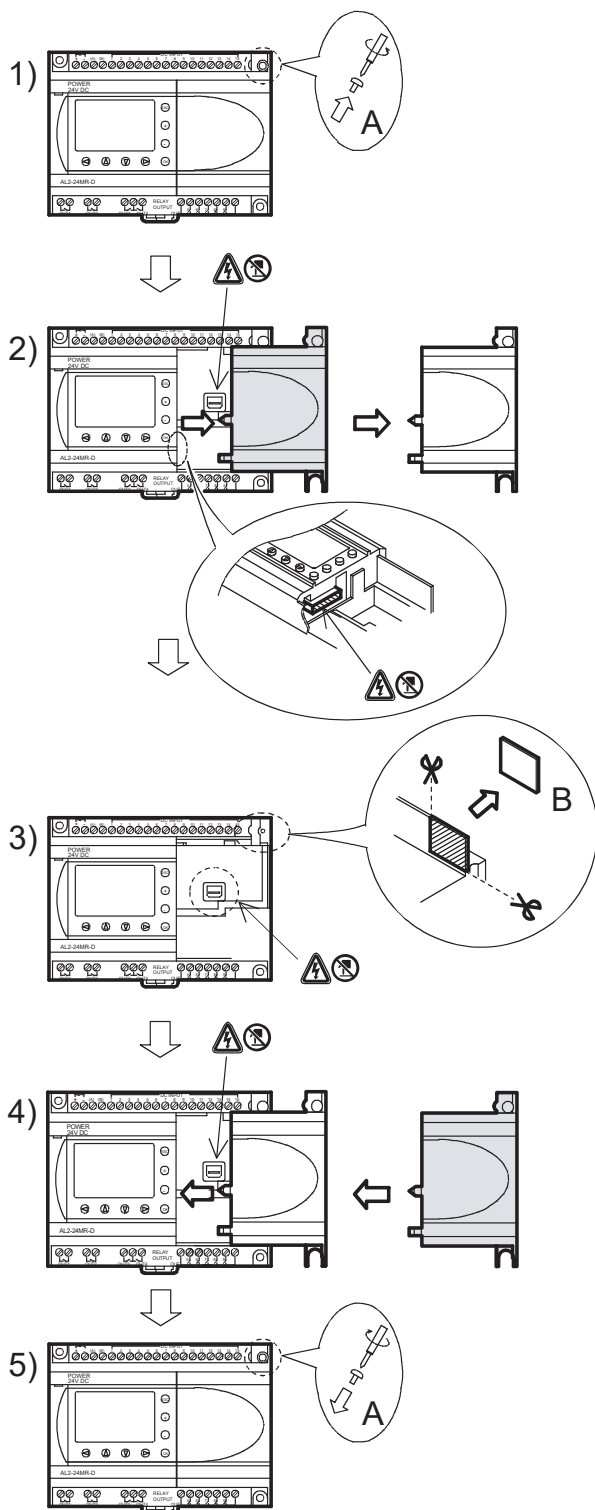
3.4 Installation du module d'extension(AL2-14MR-*,AL2-24MR-*)



Attention!

Déconnecter toutes les bornes d'alimentation avant d'enlever le couvercle.

Figure 3.5: Installation(AL2-14MR-*,AL2-24MR-*)



- 1) Dévissez la vis « A ».
- 2) Retirez avec précaution le couvercle du port d'extension.
- 3) Découpez la partie « B » de l'unité de base du contrôleur $\alpha 2$.
- 4) Montez le module d'extension sur l'unité principale.
- 5) Remettez la vis « A » en place et vissez-la en exerçant un couple de serrage compris entre 0,4 N·m.

: Choc électrique.

: Ne touchez pas directement les pièces métalliques.

4. Câblage



Remarque

- Le câblage de l'AL2-ASI-BD est décrit dans le chapitre 9.
- Le câblage de l'AL2-2DA est décrit dans le chapitre 11.
- Le câblage de l'AL2-2PT-ADP est décrit dans le chapitre 12.
- Le câblage de l'AL2-2TC-ADP est décrit dans le chapitre 13.

4.1 Remarques sur le câblage de l'installation



Le câblage du contrôleur $\alpha 2$ a été conçu pour être sûr et simple. Toutes les opérations liées au câblage du contrôleur $\alpha 2$ doivent être effectuées par un technicien ou un ingénieur compétent en matière de normes électriques nationales et locales. Coupez le courant avant de procéder à toute opération de câblage.

- Les câbles d'entrée et de sortie ne doivent pas passer par un même câble renfermant plusieurs conducteurs internes ou partager le même faisceau de câbles.
- Ne posez pas les câbles d'entrée/de sortie près des câbles de haute tension.
- La longueur du câble d'entrée et de sortie doit être inférieure à 30 m.

Des longues distances de câbles provoquent des chutes de tension et des perturbations. Utilisez des câbles de taille adaptée à la tension.



Utilisez pour serrer les bornes d'entrée un tournevis à fente de 3 mm.

4.2 Dimension des câbles

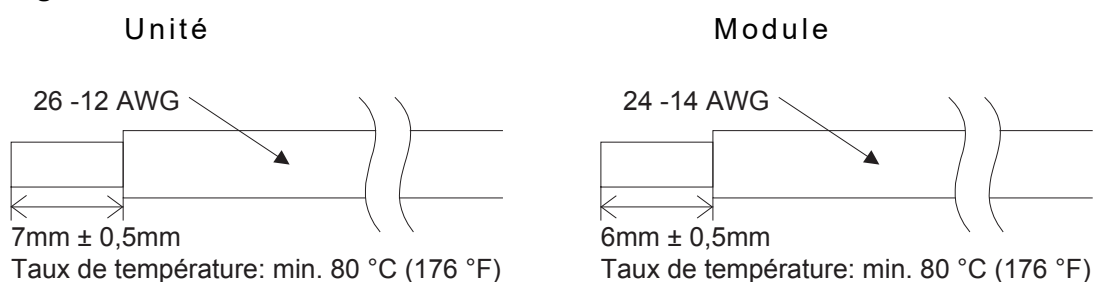
Utilisez les câbles suivants pour le câblage des entrées et sorties. Dénudez le câble selon les indications fournies dans le tableau suivant (voir le tableau 4.1 et la figure 4.1). Avant de raccorder un câble, dévissez la borne au maximum. Insérez la totalité du câble dénudé dans la borne, afin qu'une connexion sans perturbation soit garantie.

Pour les boulons à tête conique des bornes, utilisez un tournevis à fente de 3 mm.

Tableau 4.1: Dimension du fil

	Dimension du fil	Longueur du fil dénudé
Unité principale	26 - 12 AWG (0,13 - 3,31mm ²)	7mm \pm 0,5mm
Module d'extension	24 - 14AWG (0,2 - 2,5mm ²)	6mm \pm 0,5mm

Figure 4.1: Dimension du fil





Remarque:

- Afin d'éviter un endommagement du câble, serrer avec un couple de 0,5~0,6 N·m.
- Veuillez ne pas utiliser d'étain, de soudure ou toute autre substance sur le câble dénudé, ce qui pourrait provoquer une rupture du toron.
 - Câble torsadé:
Enlevez la gaine. Après avoir torsadé l'extrémité du câble, raccordez le câble.
 - Câble simple:
Enlevez la gaine et connectez ensuite le câble.

4.3 Alimentation



- Lors du branchement à une alimentation courant alternatif (CA), le câble L doit être branché sur la borne L, et le câble N sur la borne N. NE PAS BRANCHER le câble L sur la borne "N", il y a risque d'électrocution au moment de la mise sous tension.
- Lors du branchement à une alimentation à courant continu (CC), le câble positif doit être branché sur la borne (+), et le câble négatif sur la borne (-). Le branchement de l'alimentation ne doit en aucun cas être effectué sur une autre borne de l'appareil. Les unités d'alimentation en courant continu devraient être en mesure de fournir un courant d'une intensité de 4 ampères au contrôleur.

Figure 4.2: Câblage de l'alimentation recommandé

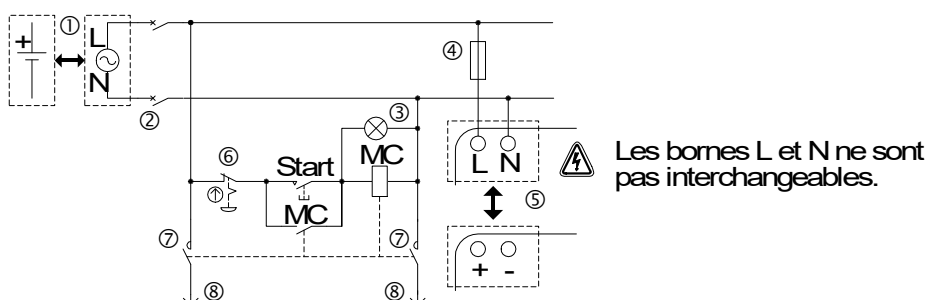


Tableau 4.2: Alimentation

No.	Description
1	Alimentation AL2-***-A: 100-240V CA~, 50/60Hz AL2-***-D: 24V CC
2	Dispositif d'isolement des circuits
3	Indicateur de tension MARCHE
4	Dispositif de protection (courant maxi 1,0A)
5	Contrôleur α2
6	Interrupteur d'arrêt d'urgence
7	Contact du commutateur magnétique
8	Alimentation en courant pour résistance ohmique

4.4 Câblage de l'alimentation CA et de l'entrée

4.4.1 Câblage de l'alimentation CA et de l'entrée

Figure 4.3: Plan de câblage de l'alimentation CA et de l'entrée

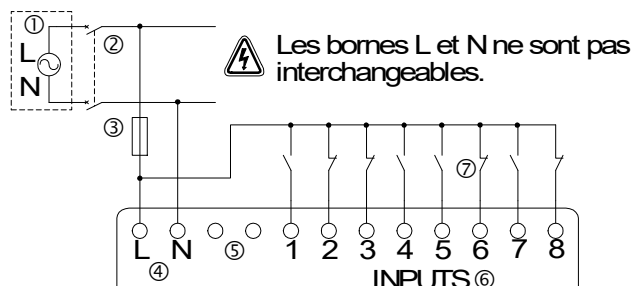


Tableau 4.3: Câblage de l'alimentation CA et de l'entrée

No.	Description
1	Alimentation CA: 100-240V CA~ 50/60Hz
2	Dispositif d'isolement des circuits
3	Dispositif de protection (courant maxi 1,0A)
4	Bornes de tension CA
5	Bornes non utilisées
6	Bornes des entrées
7	Commutateurs d'entrée numérique

FRE

4.4.2 Câblage de l'entrée AL2-4EX-A2

Figure 4.4: Plan de câblage de l'entrée AL2-4EX-A2

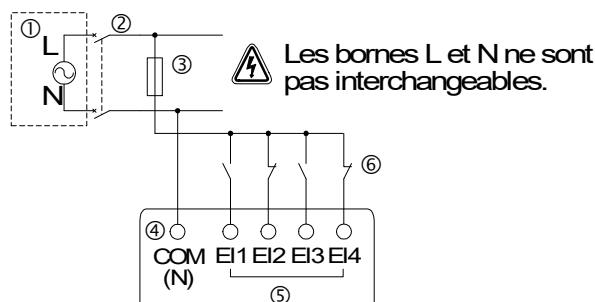


Tableau 4.4: Câblage de l'alimentation CA et de l'entrée

No.	Description
1	Alimentation CA: 220-240V CA~ 50/60Hz
2	Dispositif d'isolement des circuits
3	Dispositif de protection (courant maxi 1,0A)
4	Borne COM (N)
5	Bornes des entrées
6	Commutateurs d'entrée numérique

4.5 Câblage de l'alimentation CC et de l'entrée

4.5.1 Plan de câblage de l'alimentation CC et de l'entrée source ("+" commun)

Figure 4.5: Plan de câblage de l'alimentation CC et de l'entrée source ("+" commun)

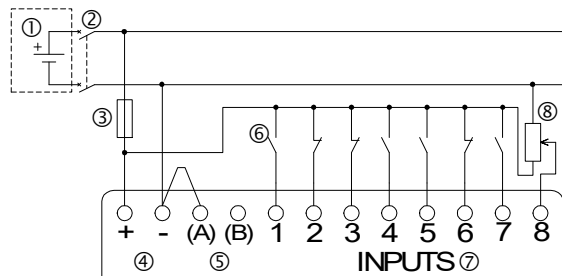


Tableau 4.5: Câblage de l'alimentation CC et de l'entrée source ("+" commun)

No.	Description
1	Alimentation CC: 24V CC
2	Dispositif d'isolement des circuits
3	Dispositif de protection (courant maxi 1,0A)
4	Bornes de tension CC
5	Bornes des entrées Sink/Source
6	Commutateurs d'entrée du capteur
7	Bornes des entrées
8	Entrée analogique

4.5.2 Plan de câblage de l'entrée source ("+" commun) AL2-4EX

Figure 4.6: Plan de câblage de l'entrée source ("+" commun) AL2-4EX

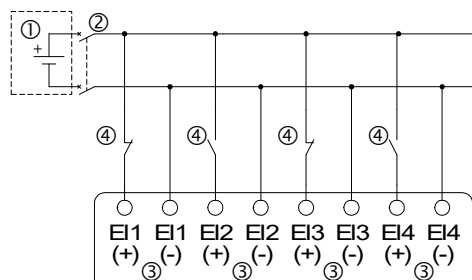


Tableau 4.6: Câblage de l'alimentation CC et de l'entrée source ("+" commun)

No.	Description
1	Alimentation CC: 24V CC
2	Dispositif d'isolement des circuits
3	Bornes des entrées
4	Entrée analogique



Remarque

Chaque borne d'entrée (EI1 - EI4) peut être utilisée comme entrée source ou entrée sink.

4.5.3 Plan de câblage de l'alimentation CC et de l'entrée ("-")

Figure 4.7: Plan de câblage de l'alimentation CC et de l'entrée ("-")

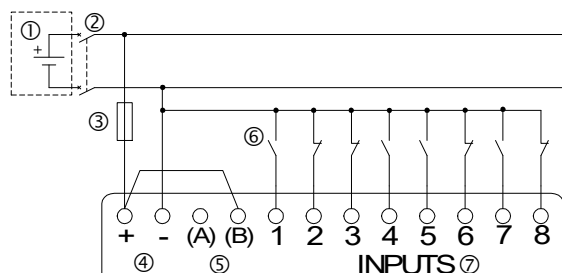


Tableau 4.7: Plan de câblage de l'alimentation CC et de l'entrée ("-")

No.	Description
1	Alimentation CC: 24V CC
2	Dispositif d'isolement des circuits
3	Dispositif de protection (1,0A)
4	Bornes de tension CC
5	Bornes des entrées Sink/Source
6	Commutateurs d'entrée du capteur
7	Bornes des entrées

FRE

4.5.4 Plan de câblage de l'entrée sink ("-") AL2-4EX

Figure 4.8: Plan de câblage de l'entrée sink ("-") AL2-4EX

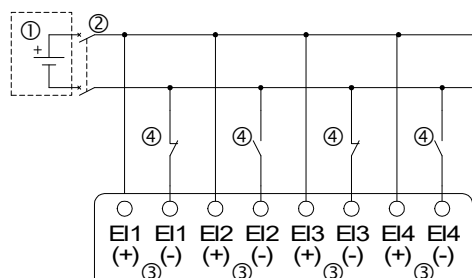


Tableau 4.8: Plan de câblage de l'alimentation CC et de l'entrée ("-")

No.	Description
1	Alimentation CC: 24V CC
2	Dispositif d'isolement des circuits
3	Bornes des entrées
4	Commutateurs d'entrée du capteur



Remarque

Chaque borne d'entrée (EI1 - EI4) peut être utilisée comme entrée source ou entrée sink.

4.6 Câblage des sorties relais et transistors

4.6.1 Plan de câblage de la sortie relais de l'unité principale (CA et/ou CC)

Figure 4.9: Plan de câblage de la sortie relais de l'unité principale (CA et/ou CC)

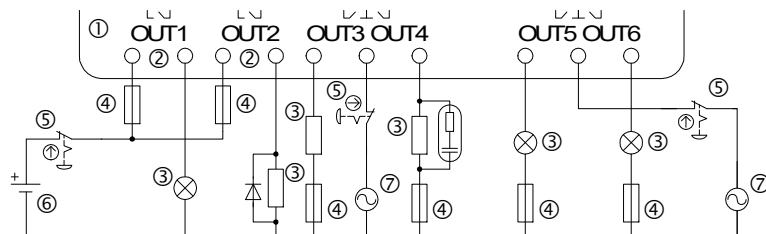


Tableau 4.9: Plan de câblage de la sortie relais de l'unité principale (CA et/ou CC)

No.	Description
1	Contrôleur $\alpha 2$
2	Sorties s'excluant l'une l'autre
3	Dispositifs de sortie
4	Fusible (cf. le Tableau 4-10)
5	Interrupteur d'arrêt d'urgence
6	Tension CC
7	Tension CA

Tableau 4.10: Tableau de la protection contre les courts-circuits des sorties relais

Modèle	Nombre de sorties	Charge résistive maxi.	Protection du circuit (fusible)
AL2-10MR-*	O01-O04	8A / au total	≤ 10A / Circuit
AL2-14MR-*	O01-O06		≤ 10A / Circuit
AL2-24MR-*	O01-O04	2A / borne (4A / au total)	≤ 10A / Circuit
	O05-O09		≤ 3A / Circuit

4.6.2 Plan de câblage de la sortie relais AL2-4EYR (CA et/ou CC)

Figure 4.10: Plan de câblage de la sortie relais AL2-4EYR (CA et/ou CC)

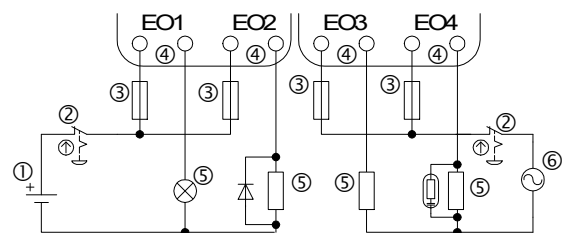


Tableau 4.11: Plan de câblage de la sortie relais AL2-4EYR (CA et/ou CC)

No.	Description
1	Tension CC
2	Interrupteur d'arrêt d'urgence
3	Fusible (≤ 3A)
4	Sorties s'excluant l'une l'autre

Tableau 4.11: Plan de câblage de la sortie relais AL2-4EYR (CA et/ou CC)

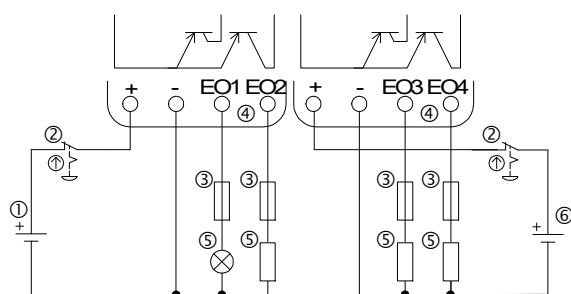
No.	Description
5	Dispositifs de sortie
6	Tension CA

Tableau 4.12: Tableau de la protection contre les courts-circuits des sorties relais

Modèle	Nombre de sorties	Charge résistive maxi.	Protection du circuit (fusible)
AL2-4EYR	EO1-EO4	2A / borne	≤ 10A / Circuit

4.6.3 Plan de câblage de la sortie transistor (source ou seulement “+” commun) AL2-4EYT

Figure 4.11: Plan de câblage de la sortie transistor (source/ “+” commun seulement) AL2-4EYT



FRE

Tableau 4.13: Sorties transistors

No.	Description
1	Alimentation CC pour sorties, 24V CC
2	Interrupteur d'arrêt d'urgence
3	Dispositif de protection (cf. Tableau 4-14)
4	Bornes de sorties
5	Dispositifs de sortie
6	Alimentation CC pour sorties, 12V CC

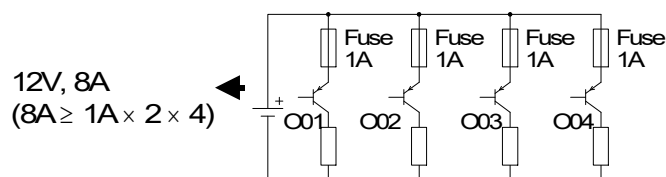
Tableau 4.14: Protection pour sorties transistors

Tension	Protection du circuit (fusible)
5V CC	≤ 0,3A / Circuit
12V CC	≤ 2,0A / Circuit *1
24V CC	≤ 2,0A / Circuit *1



*2 Capacité de la source d'alimentation ≥ taille fusible × 2

Figure 4.12: Exemple de calcul de la taille du fusible



**Remarque;****Tableau 4.15: Bornes de sorties**

Volt	Bornes de sorties
5	Toutes les bornes d'entrée peuvent être câblées dans un circuit.
12-24	Toutes les bornes d'entrée peuvent être câblées dans un circuit.
5,12,24	Un circuit séparé doit être utilisé pour chacune des trois plages de tension.

5. Affectation des bornes



Remarque

- L'affectation des bornes de l'AL2-ASI-BD est décrite dans le chapitre 9.
- L'affectation des bornes de l'AL2-2DA est décrite dans le chapitre 11.
- L'affectation des bornes de l'AL2-2PT-ADP est décrite dans le chapitre 12.
- L'affectation des bornes de l'AL2-2TC-ADP est décrite dans le chapitre 13.

Figure 5.1: AL2-10MR-A, Entrée CA, Sortie relais

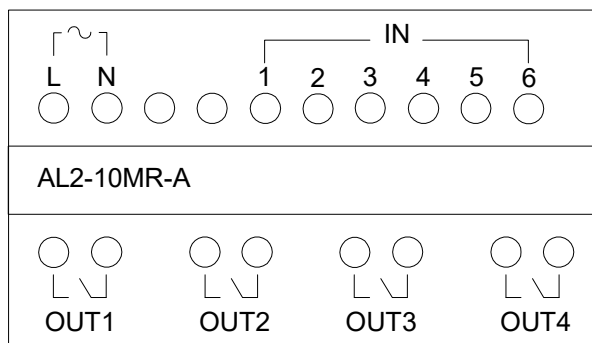


Figure 5.2: AL2-10MR-D, Entrée CC, Sortie relais

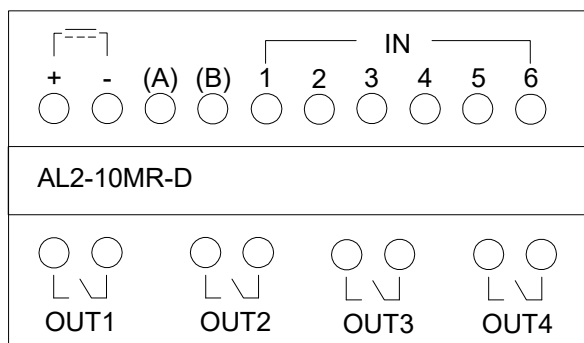
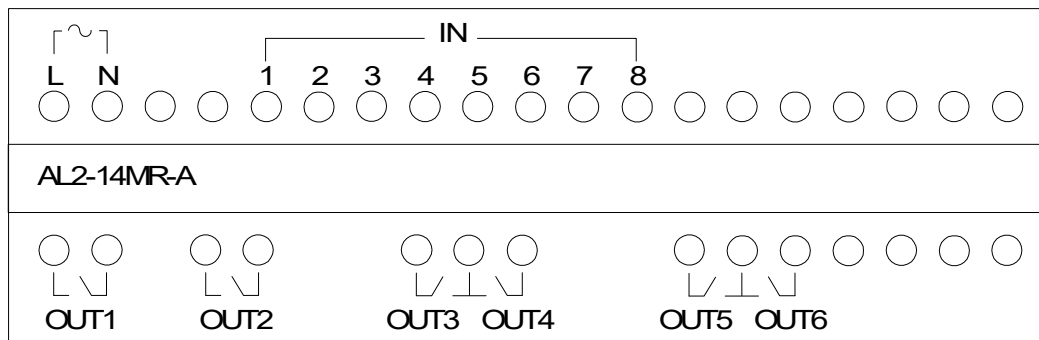


Figure 5.3: AL2-14MR-A, Entrée CA, Sortie relais



FRE

Figure 5.4: AL2-14MR-D, Entrée CC, Sortie relais

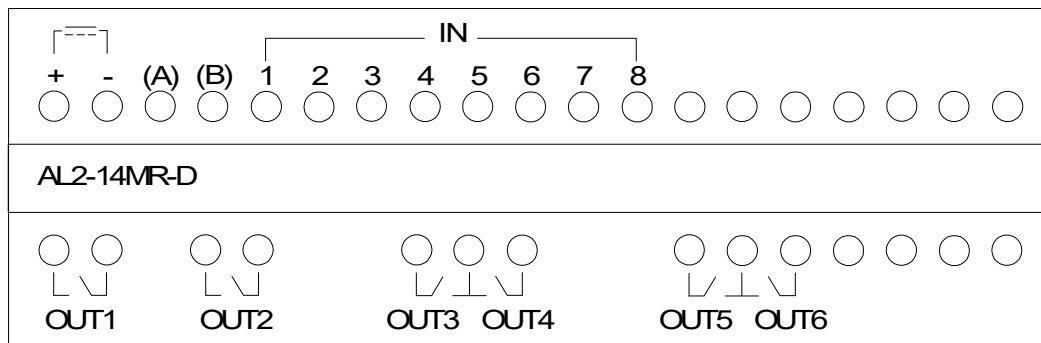


Figure 5.5: AL2-24MR-A, Entrée CA, Sortie relais

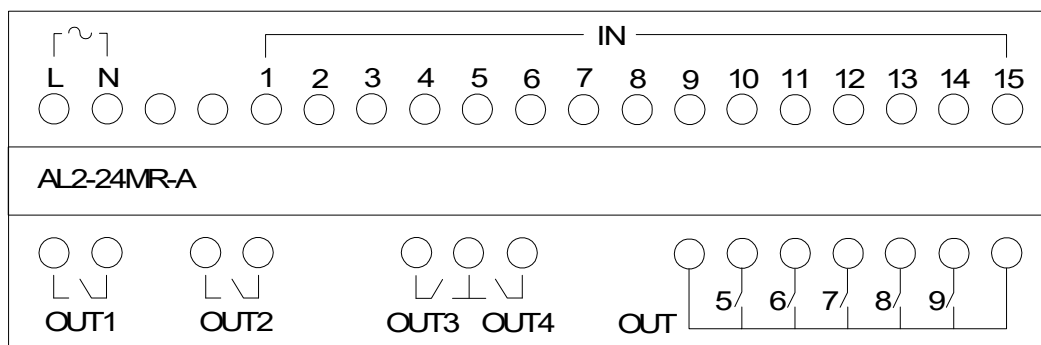


Figure 5.6: AL2-24MR-D, Entrée CC, Sortie relais

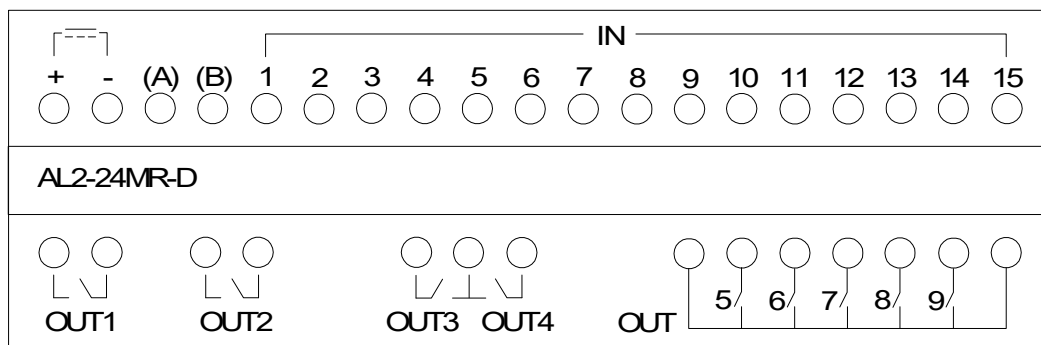


Figure 5.7: AL2-4EX-A2, 220-240V Entrée CA

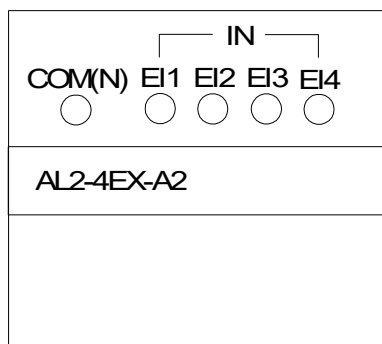


Figure 5.8: AL2-4EX, Entrée CC

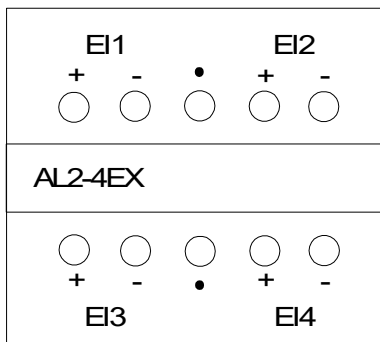


Figure 5.9: AL2-4EYR, Sortie relais

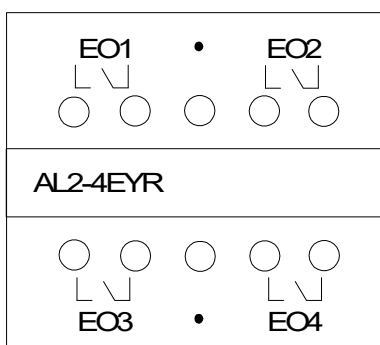
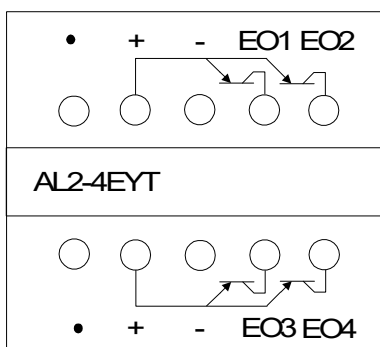


Figure 5.10: AL2-4EYT, Sortie transistor



FRE

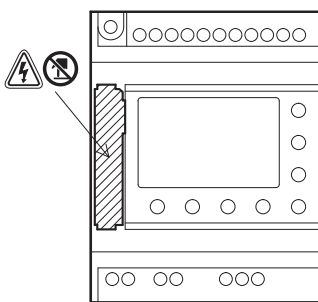
6. AL2-EEPROM-2


La cassette mémoire AL2-EEPROM-2 doit être utilisée exclusivement en association avec les contrôleurs $\alpha 2$ (Modèle: AL2-**M*-*).



Attention

- Seules les personnes formées conformément aux standards locaux et nationaux sont habilitées à remplacer la cassette mémoire.
- Coupez l'alimentation électrique avant d'installer ou de remplacer la cassette mémoire.
- Remplacez le couvercle après avoir retiré la cassette mémoire.
- Veillez à ne pas vous coincer les doigts lors de l'installation du couvercle ou de la cassette mémoire.
- NE PAS toucher l'élément suivant en enlevant le couvercle ou la cassette mémoire.

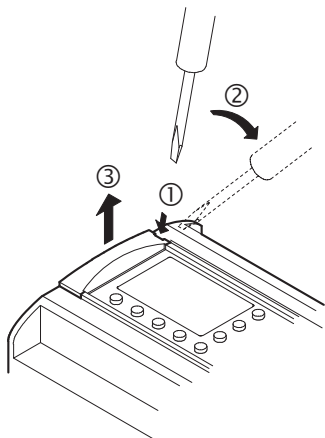


 : Choc électrique.

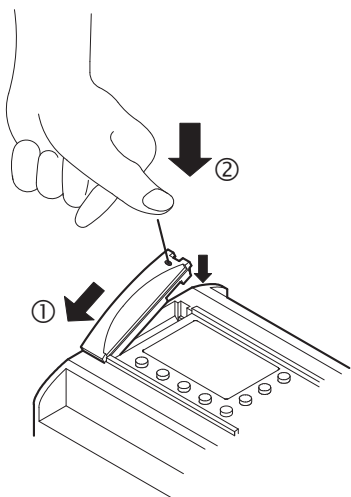
 : Ne touchez pas directement les pièces métalliques.

6.1 Installation

1) Marche à suivre pour retirer le couvercle et la cassette mémoire



2) Marche à suivre pour remettre le couvercle et la cassette mémoire



FRE

7. AL-232CAB

7.1 Installation

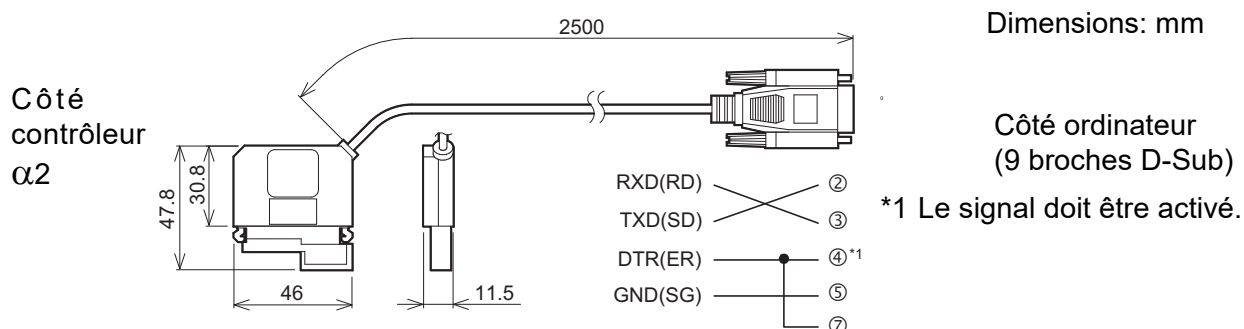
Le câble AL-232CAB est un câble RS-232C connecté entre le contrôleur α (α , $\alpha 2$) et un ordinateur personnel sur lequel se trouve le logiciel de programmation.



Remarque

- Le câble AL-232CAB ne peut pas être utilisé pour une autre application.
- Le câble AL-232CAB dépasse du panneau supérieur de 40 mm environ lorsqu'il est connecté au contrôleur $\alpha 2$.

7.1.1 Dimensions



7.2 Connexion avec le câble AL-232CAB

Enlèvement du couvercle et de la cassette mémoire

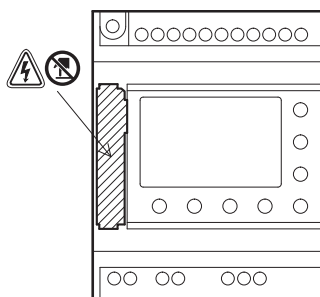


- Veuillez lors de l'enlèvement du couvercle de ne pas vous blesser avec l'outil.

Attention



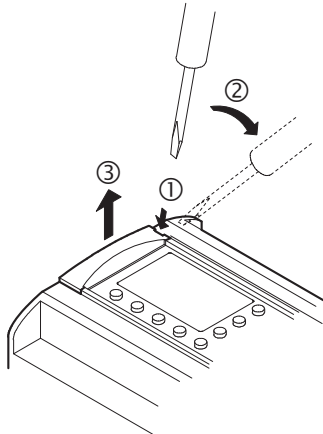
- Mettez l'appareil hors tension avant d'installer ou de retirer le câble AL-232CAB.
- Installez le couvercle ou la cassette mémoire après avoir enlevé le câble AL-232CAB.
- Veillez à ne pas vous coincer les doigts lors de l'installation du couvercle ou de la cassette mémoire.
- Utilisez un outil pointu et soulevez la prise du câble aux deux encoches. Ne tirez jamais sur le câble.
- NE PAS toucher l'élément suivant en enlevant le couvercle, la cassette mémoire ou ce câble.



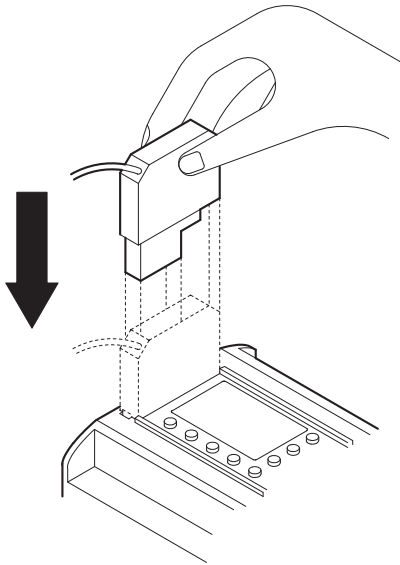
: Choc électrique.

: Ne touchez pas directement les pièces métalliques.

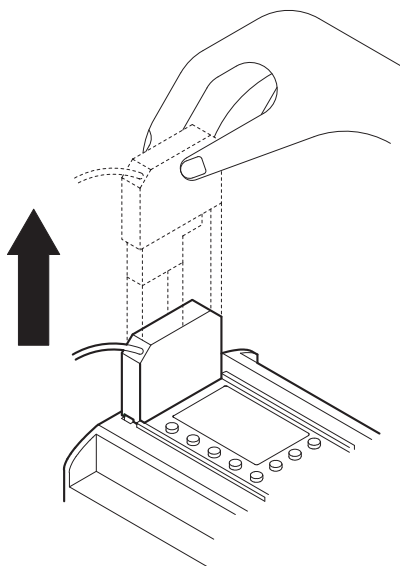
- 1) Marche à suivre pour retirer le couvercle et la cassette mémoire



- 2) Marche à suivre pour raccorder le câble AL-232CAB

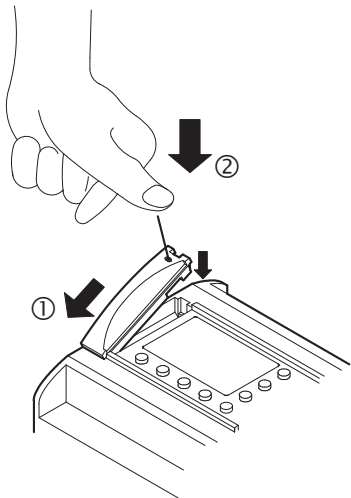


- 3) Marche à suivre pour débrancher le câble AL-232CAB



FRE

4) Marche à suivre pour remettre le couvercle et la cassette mémoire



MEMO

FRE

8. AL2-GSM-CAB

8.1 Introduction

Le AL2-GSM-CAB peut être utilisé pour connecter le contrôleur $\alpha 2$ à un modem normal ou à un modem GSM. Le AL2-GSM-CAB peut transférer des données SMS (Short Message Service) à un modem GSM pour la transmission à des téléphones portables ou à des adresses de courrier électronique ou pour faciliter les fonctions de surveillance à distance et les transferts de programme avec des modems normaux.

Vous trouverez de plus amples informations dans le manuel de programmation $\alpha 2$ et le manuel logiciel α .

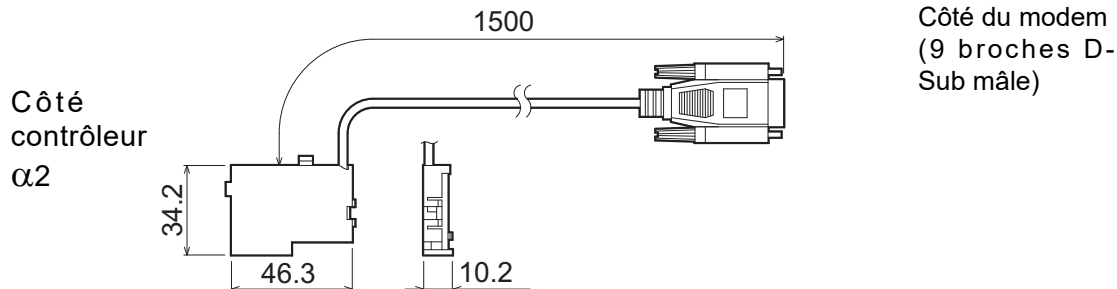


Remarques:

- Ce câble ne peut pas être utilisé pour d'autres applications.
- Ce câble ne peut pas être utilisé en association avec le contrôleur $\alpha 2$ (AL2-14MR-*,AL2-24MR-*).
- Une communication simultanée par les deux interfaces du contrôleur $\alpha 2$ peut entraîner un endommagement du programme ou une défaillance du contrôleur.

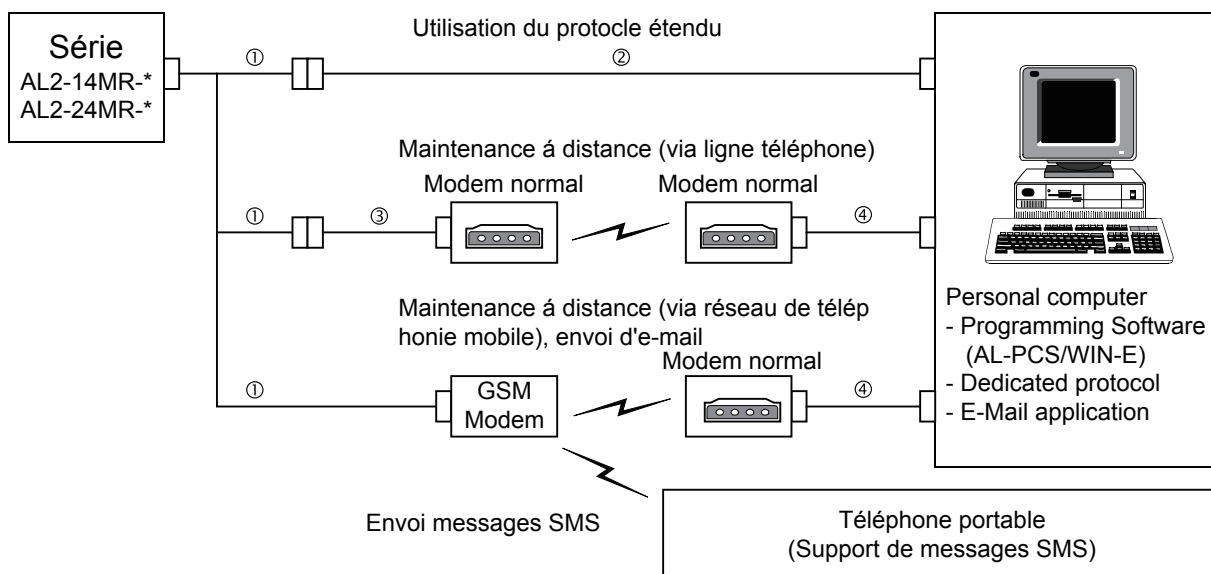
8.1.1 Dimensions

Figure 8.1: Dimensions *Dimensions : mm*



8.1.2 Configuration du système en utilisant AL2-GSM-CAB

Figure 8.2: Configuration du système avec AL2-GSM-CAB

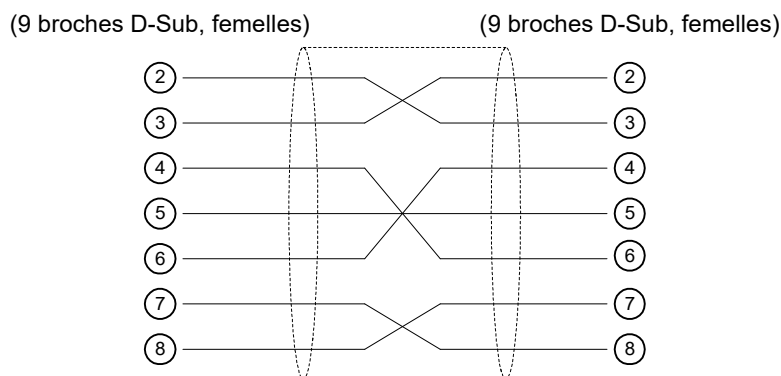


FRE

Tableau 8.1: Configuration du système avec AL2-GSM-CAB

Élément	Câble utilisé
1	AL2-GSM-CAB
2	RS-232C câble sériel (voir figure 8.3)
3	RS-232C câble pour le modem (voir figure 8.5)
4	RS-232C câble pour le modem (spécifié par le fabricant du modem)

Figure 8.3: Affectation des bornes du câble sériel RS-232C



Remarque :

Les signaux 4 et 7 doivent être mis au niveau élevé du côté de l'ordinateur. Si ces signaux ne sont pas positionnés, il ne sera pas possible de communiquer avec α2.

8.2 Installation

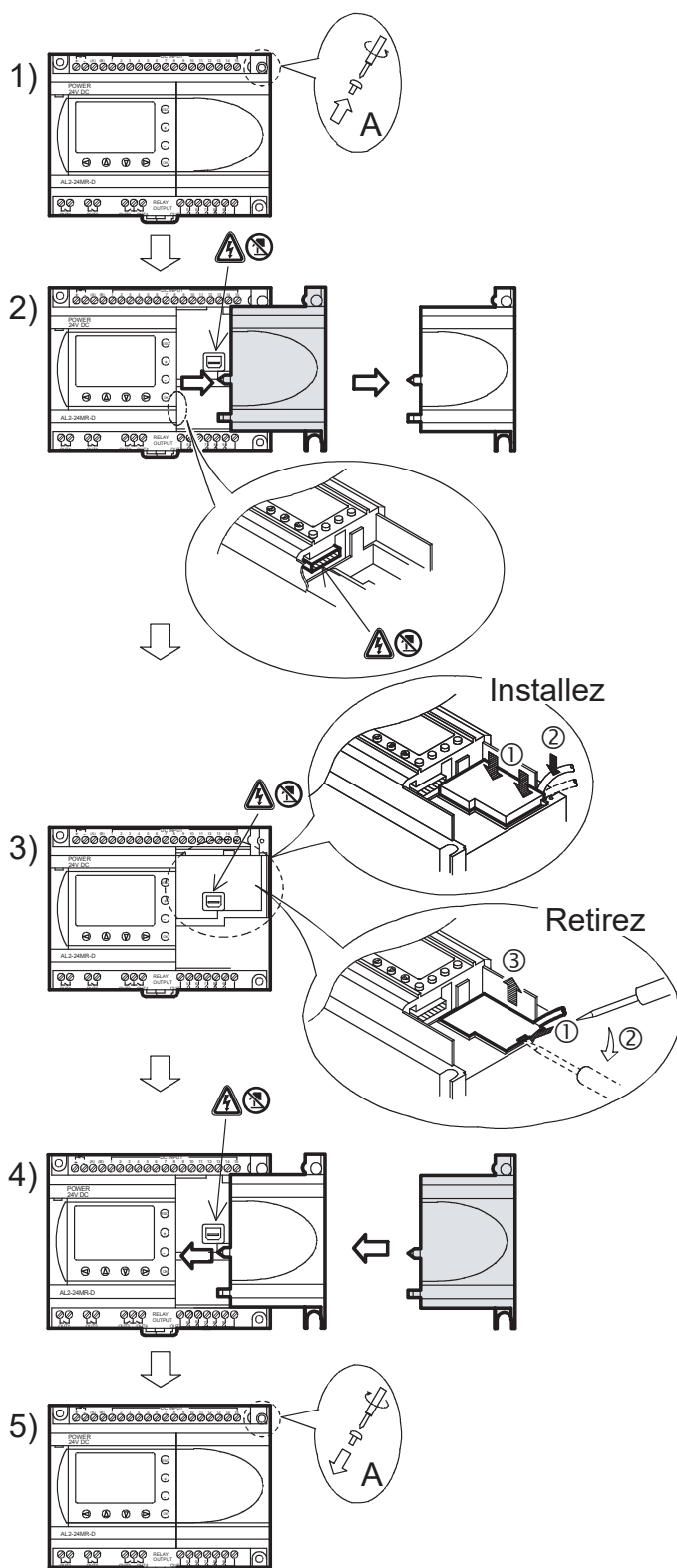
Se référer à la figure 8.4 lors de l'installation du AL2-GSM-CAB.



Attention!

- Seules les personnes formées conformément aux standards électriques locaux et nationaux sont habilitées à installer et à remplacer le AL2-GSM-CAB.
- Couper l'alimentation électrique avant d'installer ou de remplacer le AL2-GSM-CAB.
- Replacer le couvercle après avoir installé ou enlevé le AL2-GSM-CAB.
- Mitsubishi Electric ne répondra ou ne sera rendu responsable en aucun cas des dommages consécutifs à l'installation ou à l'utilisation de cet équipement.
- Ne pas tirer sur le cordon.
Tirer sur le cordon peut endommager le câble.
- Lors de la communication avec les contrôleurs $\alpha 2$ via un modem GSM, l'alimentation des deux unités doit être mise en marche en même temps. Si elles ne sont pas mises en route au même instant, les contrôleurs $\alpha 2$ ne communiqueront pas via le modem GSM.
- Déconnecter toutes les bornes d'alimentation avant d'enlever le couvercle.

Figure 8.4: Installation



- 1) Dévissez la vis 'A' et conservez-la.
- 2) Retirez avec précaution le couvercle du port d'extension α2 monté en usine ou le couvercle du module spécial.
- 3) Installez le AL2-GSM-CAB dans son emplacement, placer soigneusement le câble dans le canal situé sur le côté de connexion de l'entrée.
- 4) Fixez le couvercle α2 ou le module spécial en faisant attention qu'aucune interférence avec le AL2-GSM-CAB n'intervienne.
- 5) Remettez la vis 'A' en place et vissez la avec un couple de serrage compris entre 0,4 N·m.

FRE

: Choc électrique.

: Ne touchez pas directement les pièces métalliques.

8.3 Installation du modem

Vous trouverez de plus amples informations sur les procédures d'installation du modem dans le manuel de programmation α2. Le logiciel de programmation (AL-PCS/WIN-E) fournit la méthode d'installation du modem la plus facile.

8.3.1 Modems recommandés

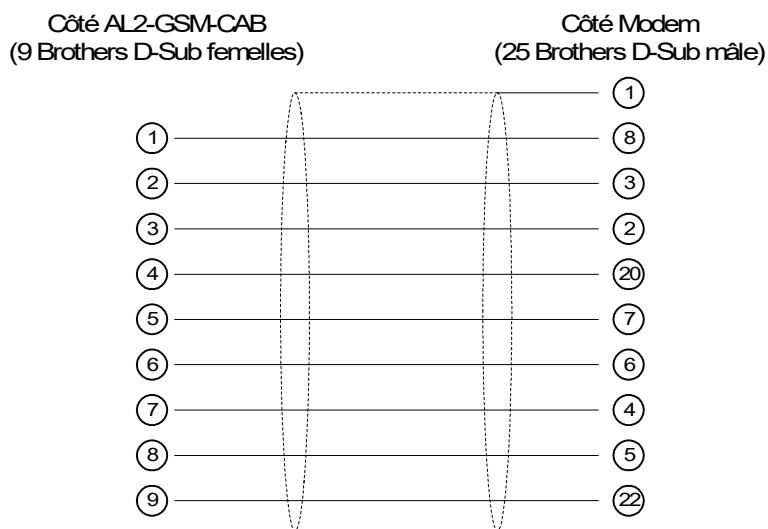
Les modems suivants ont été testés avec succès.

Tableau 8.2: Modems testés

Nom du fabricant	Nom du modèle	Instruction du modem (instruction AT)
3com	SP560V-P	ATE0Q1&B1&D0H0&I0&R1&S0S0=2S15=8&W
OMRON	ME3314	ATE0S0=2Q1&D0S15=8&R1&H0&W
AIWA	PV-AF3360	ATE0S0=2Q1&D0&M5\Q0\J0&W
Siemens	M20T	ATE0S0=2&S0;+IFC=0,0;+CMEE=1;+IPR=9600&W

8.3.2 Câble RS-232C entre le modem et AL2-GSM-CAB

Figure 8.5: Affectation du câble RS-232C entre le modem et AL2-GSM-CAB



8.3.3 Réglages du modem

1) Réglage sur l'ordinateur

Installez le pilote du modem.

2) Réglages du modem sur le contrôleur $\alpha 2$

Le modem sur le contrôleur $\alpha 2$ est activé par l'instruction d'initialisation du modem de l'unité principale

a) À propos de l'instruction du modem (instruction AT)

Utiliser l'instruction AT pour initialiser le modem. Les spécifications de l'instruction AT sont disponibles dans le manuel du modem utilisé. Les instructions AT pour le choix du modem sont indiquées dans les tableaux 8.4 (Modem normal) et 8.5 (modem GSM)..

Tableau 8.3: Modems testés

Nom du fabricant	Nom du modèle	Instruction du modem (instruction AT)
3com	SP560V-P	ATE0Q1&B1&D0H0&I0&R1&S0S0=2S15=8&W
OMRON	ME3314	ATE0S0=2Q1&D0S15=8&R1&H0&W
AIWA	PV-AF3360	ATE0S0=2Q1&D0&M5\Q0\J0&W
Siemens	M20T	ATE0S0=2&S0;+IFC=0,0;+CMEE=1;+IPR=9600&W

Vous trouverez de plus amples informations sur la méthode d'activation du modem dans le manuel de programmation $\alpha 2$.

Si les modems utilisés ne sont pas indiqués dans le tableau ci-dessus, régler l'instruction AT afin de satisfaire aux exigences suivantes.

Tableau 8.4: Instruction AT pour modem (Modem normal)

Élément de réglage	Contenu du réglage	Exemples de réglage		
		SP560V-P	ME3314	PV-AF3360
Réglage de l'instruction écho	Aucun	E0	E0	E0
Fréquence d'appel de la réponse automatique	Double	S0=2	S0=2	S0=2
Code du résultat affiché	Aucun	Q1	Q1	Q1
Contrôle DTR	Toujours ON	&D0	&D0	&D0
Contrôle DSR	Toujours ON	&S0		
Mode de communication	Mode V.42bis	S15=8	S15=8	&M5
Vitesse de transmission fixée	Fixé	&B1	\J0	
Méthode de contrôle de flux du terminal	Aucun	-&R1	\Q0	
Contrôle de flux des données transmises	Aucun	&H0	&H0	-
Contrôle de flux des données reçues (logiciel)	Aucun	&I0		
Contrôle de flux des données reçues (contrôle RTS)	Aucun	&R1		
Écriture dans la mémoire nonvolatile	Écrire dans la mémoire nonvolatile.	&W	&W	&W

FRE

Tableau 8.5: Instruction AT pour modems

Élément de réglage	Contenu du réglage	Exemple de réglage
		M20T
Autorisation instruction écho	Mode écho OFF	E0
Réglage du nombre d'appels avant la réponse automatique	Autorisation de réponse automatique après deux coups	S0=2
Réglage du mode de fonctionnement (DSR)	DSR toujours ON	&S0
Réglage du contrôle de flux de données locales TE-TA	<ul style="list-style-type: none"> Spécifie la méthode utilisée par TE lorsque les données sont reçues depuis TA : Aucun Spécifie la méthode utilisée par TA lorsque les données sont reçues depuis TE : Aucun 	+IFC=0,0
Rapport d'erreur de l'équipement mobile	Autorisation de code de résultat et utilisation de valeur numérique	+CMEE=1
Réglage du débit local fixé	Vitesse de transmission : 9600 Bauds	+IPR=9600
Réglage du mode de fonctionnement du signal DCD *1	Ligne DCD est sur ON uniquement lors de la présence du signal support de données	&C1
Sélection du type de service *1	9600 Bauds (V.32), modem asynchrone, non transparent	+CBST=7,0,1
Enregistrement du paramètre actuel pour utiliser le profil défini	Le profil de l'utilisateur est enregistré dans la mémoire nonvolatile	&W

*1 Pour Siemens M20T, ces réglages ne sont pas nécessaires car ce sont des réglages par défaut. Lors de l'utilisation d'un autre modem, ces réglages peuvent être nécessaires.

b) Durée d'activation pour le modem lors du démarrage du système

Dans le contrôleur $\alpha 2$ existe une fonction pour retarder la transmission de l'instruction du modem (instruction AT) lors du démarrage pour initialiser le modem depuis l'unité principale. Le retard peut varier de 0 à 10 secondes. Cette commande peut être utile pour assurer que l'instruction AT sera transmise correctement lorsque le démarrage du contrôleur $\alpha 2$ est plus rapide que le démarrage du modem.

Vous trouverez de plus amples informations sur le fonctionnement du modem dans le manuel de programmation $\alpha 2$ et le manuel logiciel α .

MEMO

FRE

9. AL2-ASI-BD (AL2-14MR-*, AL2-24MR-*)

Le module ASI (Actuator Sensor Interface), dénommé ci-après AL2-ASI-BD, est utilisé en liaison avec le contrôleur $\alpha 2$ pour la communication par l'intermédiaire d'un bus de terrain ASI. Vous trouverez de plus amples informations dans les manuels de programmation du contrôleur $\alpha 2$.



Attention

- Seules les personnes formées conformément aux standards locaux et nationaux sont habilitées à remplacer l' AL2-ASI-BD.
- Coupez l'alimentation électrique avant d'installer ou de remplacer l' AL2-ASI-BD.
- Remplacez le couvercle après avoir retiré l' AL2-ASI-BD.
- MITSUBISHI ELECTRIC ne répondra ou ne sera rendu responsable en aucun cas, des dommages consécutifs à l'installation ou de l'utilisation de cet équipement.

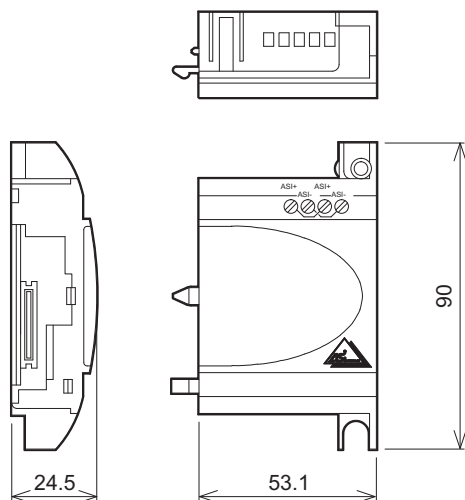
9.1 Introduction

L'AL2-ASI-BD est connecté au boîtier du contrôleur $\alpha 2$ de manière à former un esclave ASI (4 entrées, 4 sorties). On peut brancher au maximum 31 esclaves sur un réseau ASI. L'alimentation en puissance est fournie par le bus ASI. Le signal de communication est superposé à l'alimentation en puissance sur le bus ASI.

9.1.1 Dimensions

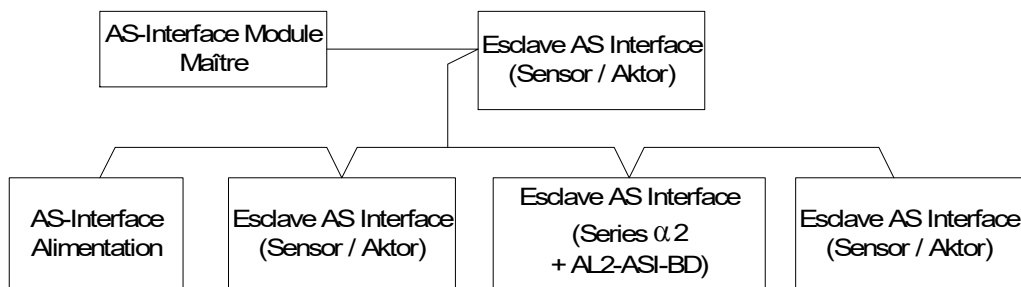
Figure 9.1: Dimensions

Unité: mm



9.1.2 Configuration du système

Figure 9.2: Configuration du système



9.2 Spécifications

Pour des spécifications générales, veuillez vous référer au chapitre 2.

Tableau 9.1: Spécifications du matériel de communication

Données	Contenu
Nombre d'E/S	4 entrées (input E01-E04), 4 sorties (output A01-A04)
Temps de rafraîchissement E/S	5ms au maximum
Distance sur le réseau	100 m au maximum
Tension	Typ. 30,5 V CC (alimentation en puissance par ASI)
Consommation	maximum 40 mA
Directive CE	EMC
Conforme aux normes suivantes	ASi

FRE

Tableau 9.2: Spécifications du logiciel de communication

Données	Contenu
Adresse esclave	Attribuée par le maître (réglage par défaut en usine 0)
Code d'E/S	7
Code d'I/D	F
Data Bit	D0 - D3 Entrée sortie 01 - 04 (E01 - E04, A01 - A04)
Bit de paramètre	P0 Le moniteur de communication (ajusté par défaut). *1
	P1,P2,P3 Inutilisé
Bit système	M6 "ON" si une erreur de communication de l'interface AS apparaît
	M7 "ON" si une erreur de communication due à une panne de secteur de l'interface AS apparaît
Bit de contrôle	N1 ON: Pas de connexion au réseau AS Interface OFF: Connexion au réseau AS Interface

*1 Fonction servant à remettre le signal d'entrée (E01-E04) à zéro lorsque la communication avec ASI est coupée pendant 70 ms ou plus.

9.3 Câblage et Installation

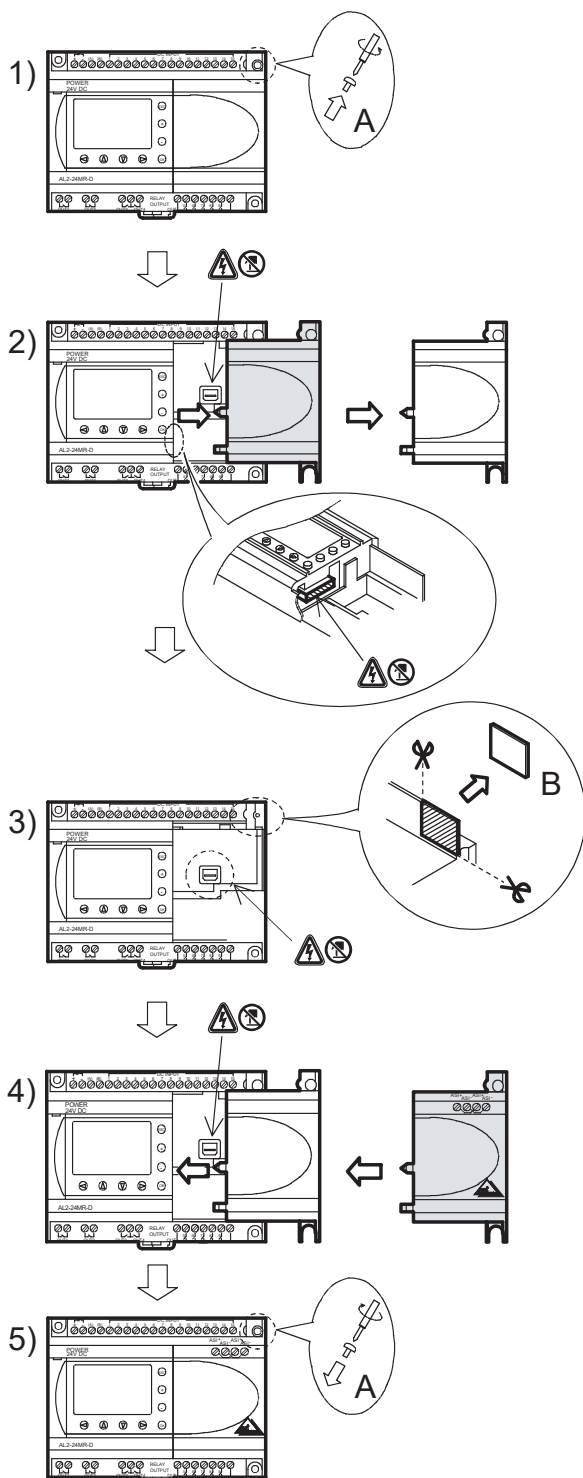
9.3.1 Installation



Attention!

Déconnectez toutes les bornes d'alimentation avec d'enlever le couvercle.

Figure 9.3: Installation



- 1) Dévissez la vis « A » et conservez-la.
- 2) Retirez avec précaution le couvercle du port d'extension.
- 3) Coupez la partie « B » de l'unité de base du contrôleur $\alpha 2$.
- 4) Déplacez l'AL2-ASI-BD sur l'unité de base.
- 5) Remettez la vis « A » en place et vissez-la en exerçant un couple de serrage compris entre 0,4 N·m.

: Choc électrique.

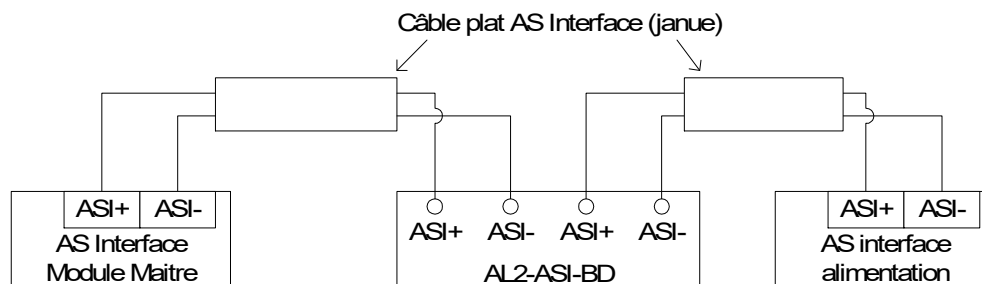
: Ne touchez pas directement les pièces métalliques.

9.3.2 Câblage



Utiliser le câble plat (jaune) d'ASI pour connecter l'AL2-ASI-BD au réseau. En connectant le câble de l'interface ASI au module, vissez les vis des broches du connecteur de communication en exerçant un couple de serrage compris entre 0,5 et 0,6 N·m.

Figure 9.4: Câblage



9.4 Réglage de l'adresse esclave et diagnostics

9.4.1 Réglage de l'adresse esclave

L'adresse esclave du AL2-ASI-BD peut être ajustée par le maître ASI ou par un programmeur. Si un nouvel esclave est ajouté au bus ASI, le module maître lui attribuera l'adresse libre la plus basse.

Les adresses esclaves forment une plage de 1 à 31 et peuvent être attribuées seulement à un module dont l'adresse initiale est 0 (zéro). Les nouveaux modules sont préajustés sur 0 avant l'expédition. Si un module a reçu au préalable une adresse autre que 0, il doit être remis à zéro avant de pouvoir être inséré au réseau.

Il est possible d'ajouter de nombreux modules en une seule fois. Ils doivent tous être définis en tant que modules passifs (paramètre N1=1) sauf un. Lorsque le réseau est sous tension, les modules peuvent être activés individuellement (modifier N1=0), l'administrateur réseau Network Master leur affectant alors un numéro de poste.

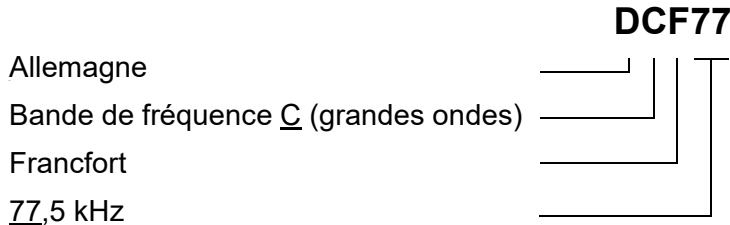
9.4.2 Contrôles à effectuer en cas d'erreur :

- 1) Si l'erreur M6 apparaît (communication erronée) :
 - Vérifiez les connexions vers l'interface AS maître.
 - Vérifiez si l'adresse du poste esclave est correcte.
- 2) Si une erreur d'alimentation sur la communication (M7) se produit :
 - Vérifiez la connexion du câble du bus de l'interface AS sur chaque unité concernée.
 - Vérifiez l'alimentation ASI et son fonctionnement.

FRE

10. Horloge radiopilotée DCF77

Avec la fonction DCF77, l'horloge intégrée du contrôleur α2 peut être réglée automatiquement. Pour cela, des signaux émis à une fréquence de 77.5 kHz par un émetteur situé à proximité de Francfort sur le Main sont reçus et décodés. Le sigle „DCF77“ signifie :



10.1 Vue d'ensemble

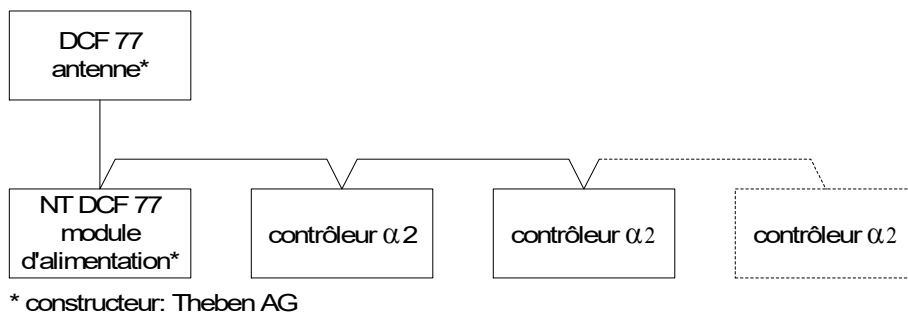
Tableau 10.1: Horloge radiopilotée

Spécification	Description
Emplacement de l'émetteur	Mainflingen, 25 km au sud de Francfort sur le Main
Fréquence	77,5 kHz
Rayon effectif	2000 km
Codage	BCD (Décimal codé en binaire)
Données transmises	Minutes, heure, date (jour, mois, année), jour de la semaine
Temps de transmission	Quotidiennement 24 heures

Jusqu'à la 59^{ème} seconde, l'amplitude de la porteuse est réduite à 25 % au début de chaque seconde pour la durée de 100 ms (binaire :0) ou 200 ms (binaire :1).

10.2 Configuration du système

Figure 10.1:



En association avec le contrôleur $\alpha 2$, une antenne DCF77 de la société Theben et au moins un module d'alimentation Theben pour l'alimentation en courant de l'antenne doivent être utilisés. Le décodeur du contrôleur $\alpha 2$ reconnaît uniquement les signaux d'une antenne DCF77 de la société Theben.

L'alimentation alimente l'antenne avec une tension continue de 12 V. Seule une alimentation de la société Theben peut être utilisée pour l'alimentation en courant et la mise à disposition des signaux DCF77.

Jusqu'à 10 contrôleurs $\alpha 2$ peuvent être raccordés à une antenne/alimentation.

10.3 Données techniques

Vous trouverez les données techniques générales dans le chapitre 2.

Tableau 10.2: Antenne DCF77 Theben

Spécification	Description
Désignation	Antenne DCF77 907 0 243
Température ambiante	-20 à 70 °C
Classe de protection	IP 54
Sensibilité	100 μ V/m
Zone couverte	Dans un rayon d'env. 1000 km de Francfort sur leMain
Longueur de la ligne de raccordement	200 m maxi
Polarité	Aucune

FRE

**Attention**

- Afin d'éviter des perturbations d'appareils externes, n'installez pas l'antenne DCF77 Theben à proximité de téléviseurs, ordinateurs ou centraux téléphoniques.

Tableau 10.3: Module d'alimentation Theben

Spécification	Description
Désignation	Module d'alimentation NT DCF 77 907 0 182
Tension de service	230 V CA~ +/-10 %
Fréquence	50-60 Hz
Puissance absorbée	3 VA maxi
Longueur du câble d'alimentation	200 m maxi (ligne à deux conducteurs)
Appareils raccordables au maximum	10
Protection	II selon EN 60335
Classe de protection	IP20 selon EN 60529

Tableau 10.4: Versions utilisables

API et logiciel de programmation	Version utilisable
Contrôleur $\alpha 2$ (version CC seulement)	V2.00 ou supérieure
Logiciel VLS	V2.30 ou supérieure

**Attention**

- Un contrôleur $\alpha 2$ qui est directement raccordé et alimenté à une tension alternative ne peut pas être utilisé pour l'évaluation des signaux DCF77.
- Les signaux DCF77 peuvent être raccordés pour le décodage uniquement aux entrées analogiques d'un contrôleur $\alpha 2$ avec alimentation à tension continue.

Tableau 10.5: Bits système utilisés

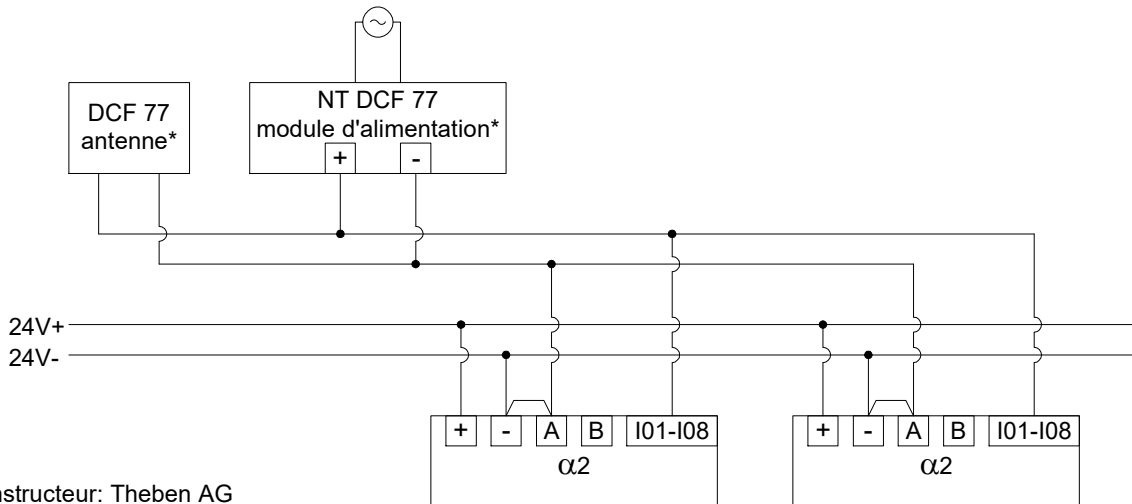
Spécification	Description	
Bit système	M10	Est activé pendant le décodage des signaux DCF77
	M11	Ce bit système est activé comme impulsion lors de l'achèvement sans erreur du décodage des signaux DCF77.
	M15	Si une erreur apparaît lors du décodage des signaux DCF77, ce bit système est activé.

Vous trouverez de plus amples informations sur la programmation dans le manuel de programmation du contrôleur $\alpha 2$.

10.4 Raccordement

10.4.1 Câblage

Figure 10.2: Raccordement de l'antenne DCF77 et du module d'alimentation



* constructeur: Theben AG

FRE

Le contrôleur α2 doit être câblé en configuration „Source“. Avec un autre raccordement, les signaux DCF77 ne seront pas reconnus et décodés sur les entrées analogiques.

Tableau 10.6: Conditions pour le raccordement

Spécification	Description
Entrées utilisables du contrôleur α2 pour les signaux d'antenne	AL2-10MR-D:I01 - I06 AL2-14MR-D,AL2-24MR-D:I01 - I08
Nombre de contrôleurs α2 par antenne DCF77	10
Longueur maximale de la ligne vers l'antenne	200 m

10.4.2 Configuration du DCF77 à partir de l'affichage $\alpha 2$

- 1) A partir du menu supérieur, faire défiler jusqu'à "Rél. Horl" et appuyer sur le bouton "OUI". Parmi les options qui apparaissent, faire défiler jusqu'à "HorlRadio." et appuyer sur le bouton "OUI". Une seule option apparaît si Radioclock n'est pas activé. Faire défiler jusqu'à "HorlRadio." et appuyer sur le bouton "OUI".
- 2) Parmi les options apparaissant, faire défiler jusqu'à "DCF77" et appuyer sur le bouton "OUI".
- 3) Choisir l'entrée analogique $\alpha 2$ (I01-I08) porteuse du signal d'antenne DCF77. Plus d'options apparaîtront sous le menu Radioclock. Faire défiler jusqu'à "Entrée" et appuyer sur le bouton "OUI".*1
- 4) Renseigner l'entrée analogique (I01-I08) avec les touches +, - et appuyer sur le bouton "OUI".
- 5) Ajuster la différence de fuseau horaire entre Francfort, Allemagne, et l'emplacement du contrôleur. Cette quantité est ajoutée à l'heure reçue. Faire défiler jusqu'à "Diff. Tps" et appuyer sur le bouton "OUI".
- 6) Sélectionner la différence de fuseau horaire par incréments d'une demi-heure avec les touches +, -, Puis appuyer sur le bouton "OUI" pour sélectionner la différence de fuseau horaire actuelle.
- 7) Le décodage du signal horaire peut être arrêté ou démarré manuellement. Faire défiler jusqu'à "Manuel" et appuyer sur le bouton "OUI".
- 8) Appuyer sur le bouton "OK" ou "ESC" pour l'exécution ou l'annulation.

```
HorlRadio.
» HorlRadio.
```

```
HorlRadio.
» Inutilise
DCF77
```

```
HorlRadio.
HorlRadio.
» Entrée
Diff. Tps
```

```
HorlRadio.
Entrée
I01
```

```
HorlRadio.
HorlRadio.
Entrée
» Diff. Tps
```

```
HorlRadio.
Diff. Tps
0.0hrs
```

```
HorlRadio.
Entrée
Diff. Tps
» Manuel
```

```
Manuel
Arrêt Act.

OK Ou ECHAP
```

Remarque

*1 Le contrôleur $\alpha 2$ alternera entre "Pas signal" et "HorlRadio." si le signal DCF77 n'est pas reçu et décodé.

10.4.3 Démarrage automatique

La phase de décodage de DCF77 Radioclock démarrera automatiquement si les conditions suivantes sont remplies:

- 1) Horloge de temps réel $\alpha 2$ (RTC) atteint 1.00am.
- 2) Horloge de temps réel $\alpha 2$ (RTC) produira une erreur après la mise sous tension du contrôleur.

10.4.4 Arrêt automatique

La phase de décodage de DCF77 Radioclock s'arrêtera automatiquement si les conditions suivantes sont remplies:

- 1) Horloge de temps réel $\alpha 2$ (RTC) a été configuré correctement et une heure valide a été reçue.
- 2) Aucune heure valide n'a été reçue pendant les 30 minutes de nouvelles tentatives.

10.4.5 Vérification de l'heure reçue

La validité de l'heure décodée de DCF77 Radioclock est contrôlée sur la base des trois articles suivants:

- 1) Contrôle de la parité – Le cadre de données de code de temps DCF77 est protégé par 3 bits de parité (pairs). Le premier bit de parité protège la donnée des minutes, le second la donnée des heures et le troisième les données de jour, jour de la semaine, mois et année.
- 2) Contrôle de la portée des données
 - a) $0 < \text{minues} < 59$
 - b) $0 < \text{heures} < 23$
 - c) $1 < \text{jours} < 31$
 - d) $1 < \text{mois} < 12$
 - e) $0 < \text{année} < 59$
- 3) Contrôle de la différence d'heure – La différence entre deux cadres horaires reçus doit être égale à 1 minute, mais le temps total (en minutes de 01/01/1990) de chaque cadre horaire est consulté.



Attention

- Quand "Déma Act." est utilisé pour démarrer manuellement le décodage DCF77, l'utilisateur doit contrôler l'état de M10 (indicateur actif de décodage) 30 minutes après le démarrage du décodage. Si M10 est désactivé (OFF), le décodage de DCF77 s'achève sans erreur. Si M10 est encore activé (ON), il y a un problème pour le câblage ou pour la disponibilité du signal à l'emplacement d'utilisation. L'utilisateur doit vérifier toutes les causes possibles.

11. AL2-2DA (AL2-14MR-*, AL2-24MR-*)

Le module de sortie analogique AL2-2DA est implanté en association avec un contrôleur $\alpha 2$ pour sortir sur chacune des deux sorties analogiques une tension ou un courant.

Vous trouverez d'autres informations dans le manuel de programmation du contrôleur $\alpha 2$ et dans le manuel d'installation du module de sortie analogique AL2-2DA.



Attention

- Seules les personnes formées conformément aux standards locaux et nationaux de sécurité de la technique d'automatisation sont habilitées à réaliser le câblage de l'appareil.
- Le contrôleur $\alpha 2$ n'a pas été développé pour des applications de survie ou autocontrôlées.
- MITSUBISHI ELECTRIC ne répondra ou ne sera rendu responsable en aucun cas des dommages consécutifs à une installation ou une application non conforme de l'appareil ou de ses accessoires.
- Veillez à une installation correcte de l'AL2-2DA avec le contrôleur $\alpha 2$ afin d'éviter des dysfonctionnements.

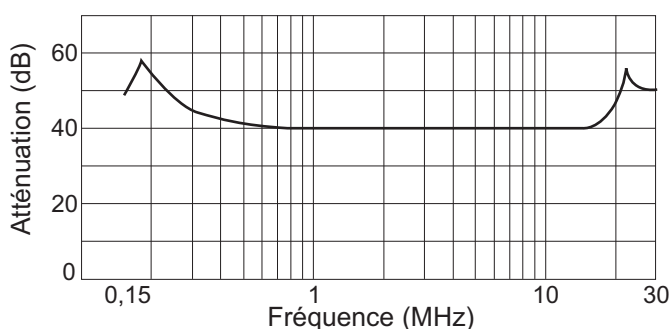


Précaution CEM

Le module analogique de série $\alpha 2$ Mitsubishi Electric a été jugé conforme aux dites normes et directives européennes. Mais (pour obtenir les meilleures performances de ce qui sont en fait des dispositifs de sortie de mesure et de contrôle délicats), Mitsubishi Electric souhaite indiquer les points suivants:

- Comme les modules analogiques sont sensibles par nature, ils doivent être utilisés avec précaution. Les utilisateurs de câbles exclusifs (comprenant capteurs ou actionneurs) doivent suivre les exigences d'installation de leurs fabricants.
- Mitsubishi Electric recommande l'emploi de câbles blindés. Si AUCUNE autre protection CEM n'est prévue, alors les utilisateurs peuvent subir des erreurs temporaires ne dépassant pas +10%/-10% dans des zones fortement industrialisées. Mais Mitsubishi Electric suggère que si les précautions CEM adéquates sont suivies avec la bonne pratique générale CEM pour le système de contrôle complet des utilisateurs, ces derniers devraient prévoir des erreurs normales comme spécifié dans chaque manuel de produit indépendant.
- S'assurer d'attacher un filtre antiparasite au câble d'alimentation. Les essais EMC de Mitsubishi ont été effectués sur un filtre antiparasite avec les caractéristiques d'amortissement d'un mode commun (figure 11.1) de 50 dB à une moyenne de 150 kHz à 2 MHz.

Figure 11.1: Caractéristiques d'amortissement du filtre antiparasite



11.1 Vue d'ensemble

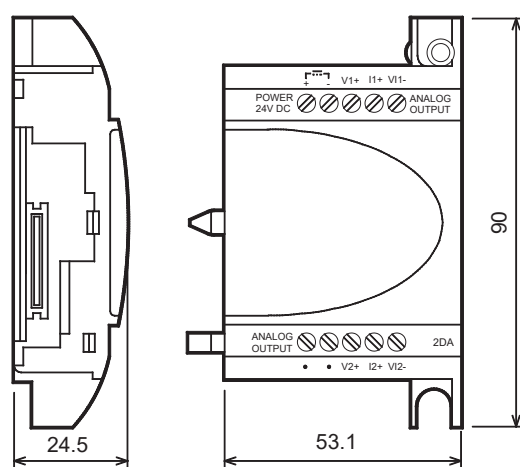
Le module de sortie analogique AL2-2DA (ci-après désigné "AL2-2DA") doit être installé sur un contrôleur de série $\alpha 2$ et utilisé pour convertir une valeur numérique en tension (0-10 V) ou signal de sortie analogique (4-20 mA).

L'AL2-2DA peut être utilisé en association avec le bloc de fonction „Sortie analogique“ (AO) du contrôleur $\alpha 2$. Vous trouverez de plus amples informations sur la programmation dans le manuel de programmation du contrôleur $\alpha 2$.

11.1.1 Dimensions extérieures

Figure 11.2: Dimensions extérieures

Unité : mm



FRE

11.1.2 Configuration du système

Vous trouverez les données techniques générales dans le chapitre 2.

Tableau 11.1: Versions utilisables

API et logiciel de programmation	Version utilisable
AL2-14MR-*,AL2-24MR-*	V2.00 ou supérieure
Logiciel VLS	V2.30 ou supérieure



Remarque

- 1) Sur un contrôleur $\alpha 2$, seulement un AL2-2DA peut être raccordé et seulement un module d'extension peut être exploité avec l'appareil de base.
- 2) L'AL2-2DA ne peut pas être exploité avec un AL2-4EX-A2, AL2-4EX, AL2-ASI-BD, AL2-4EYR ou un AL2-4EYT.
- 3) L'AL2-2DA ne peut pas être raccordé à un contrôleur α .

11.2 Données techniques

Tableau 11.2: Alimentation en courant

Spécification	Description
Alimentation en courant interne	Par l'appareil de base $\alpha 2$
Alimentation des sorties analogiques	24 V CC (+20 %, -15 %)
Puissance absorbée max.	1,5 W
Fusible <Taux>/<Type>	86 V CC 1,6 A / Courant de démarrage / admissible

Tableau 11.3: Données techniques du matériel

Spécification	Données techniques	
	Tension	Courant
Plage de sortie analogique	0 - 10 V CC (Charge externe : 5 k Ω - 1 M Ω)	4 - 20 mA (Charge externe : < 500 Ω)
Entrée numérique	0 à 4000	0 à 2000
Résolution	2,5 mV (10 V / 4000)	8 μ A ((20-4) mA / 2000)
Précision	+/- 1% sur la plage complète (0 - 10 V: +/- 0,1V)	+/- 1% sur la plage complète (4 - 20 mA: +/- 0,16 mA)
Durée de conversion	20 ms (10 ms x 2 ch)	
Isolation	Par optocoupleur	
Caractéristique de conversion		



Remarques

- 1) Avec une résistance de charge externe de 5 k Ω à 1 M Ω , la précision est de „+/- 1 %“. (Le point de calibrage d'usine est la charge externe de 10 k Ω .) Si la résistance de charge est inférieure à 5 k Ω , la tension de sortie devient inférieure à la valeur correcte.
- 2) Lors de sortie d'un courant, la résistance de charge ne doit pas être supérieure à 500 Ω . Si la valeur de la résistance de charge dépasse 500 Ω , le courant de sortie est inférieur à la valeur correcte.

Table 11.4: Bits système utilisés

Spécification	Description
Bit système	M16
	Est activé si la tension d'alimentation externe de l'AL2-2DA est branchée.

11.3 Installation et câblage

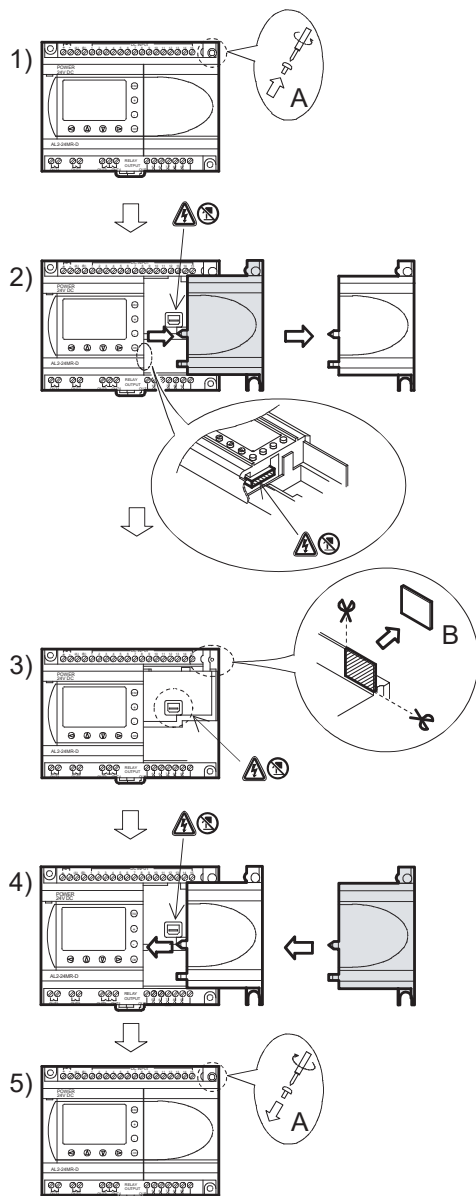
11.3.1 Installation



Attention

- Déconnectez avant l'installation de l'AL2-2DA la tension d'alimentation du contrôleur.
- N'installez pas le contrôleur dans des zones où il serait exposé aux influences de l'environnement suivantes : proportion de poussières excessive, poussières conductrices, gaz corrosifs ou inflammables, humidité ou pluie, chaleur excessive, secousses continues ou vibrations excessives.
- Le contrôleur α2 doit être monté dans une armoire électrique conforme à la norme DIN 43880 ou dans un boîtier de distribution.
- Laissez pour le refroidissement de l'appareil un espace libre entre la face inférieure et la face supérieure du contrôleur α2 et les parois de l'armoire électrique d'au moins 10 mm.

Figure 11.3: Installation



- 1) Dévissez la vis „A“.
- 2) Retirez avec précaution le couvercle du port d'extension.
- 3) Coupez la partie 'B' de l'unité de base du contrôleur α2.
- 4) Montez le module d'extension sur le châssis.
- 5) Serrez la vis 'A' en exerçant un couple de serrage de 0,4 Nm.

: Choc électrique.

: Ne touchez pas directement les pièces métalliques.

FRE

11.3.2 Câblage



Attention

- Déconnectez la tension d'alimentation avant tout travail de câblage.
- Les signaux des différentes sorties doivent être guidés dans des câbles séparés.
- Utilisez pour le raccordement des lignes avec des fils rigides ou flexibles (pour raccord à sertir) qui sont soigneusement torsadés.
N'utilisez aucun fil flexible avec extrémité soudée sur un contrôleur $\alpha 2$.
- La longueur des lignes pour les signaux de sortie ne doit pas dépasser 30 m.
- Afin d'éviter un endommagement des fils, serrez les bornes à vis en exerçant un couple de serrage compris entre 0,5 et 0,6 Nm.
- Les raccordements doivent être recouverts afin d'éviter un contact avec les éléments sous tension.

Figure 11.4: Câblage pour la sortie d'une tension

⚠ Remarque: Les bornes "+" et "-" ne sont pas réversibles.

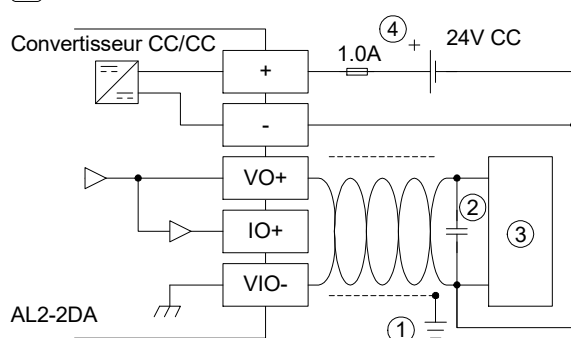


Figure 11.5: Câblage pour la sortie d'un courant

⚠ Remarque: Les bornes "+" et "-" ne sont pas réversibles.

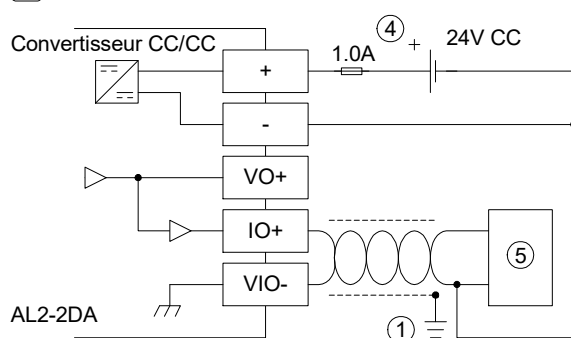


Tableau 11.5: Notation de câblage

Item	Description
1	Résistance à la mise à la terre de 100 Ω ou moins
2	En cas de bruit excessif apparent, raccorder une capacitance de 0,1 – 0,47 μF .
3	Equipement extérieur tel qu'onduleur etc.
4	Alimentation extérieure 24 V CC
5	Equipement extérieur tel qu'indicateur d'enregistrement

11.3.3 Diagnostic

Si une erreur apparaît sur l'alimentation en courant externe (M16) :

- Vérifiez si la tension d'alimentation est raccordée correctement sur les bornes „+“ et „-“ de l'AL2-2DA.
- Mesurez la tension de la source de tension raccordée. L'AL2-2DA doit être alimenté avec une tension continue de 24 V.

FRE

12. AL2-2PT-ADP

Le module adaptateur de PT100 AL2-2PT-ADP convertit le signal d'un capteur de température PT100 en une tension comprise entre 0 et 10 V pour le traitement ultérieur dans l'appareil de base. Vous trouverez de plus amples informations dans le manuel d'installation de l'AL2-2PT-ADP.



Attention

- Seules les personnes formées conformément aux standards locaux et nationaux de sécurité de la technique d'automatisation sont habilitées à réaliser le câblage de l'appareil.
- Le contrôleur $\alpha 2$ n'a pas été développé pour des applications de survie ou autocontrôlées.
- MITSUBISHI ELECTRIC ne répondra ou ne sera rendu responsable en aucun cas des dommages consécutifs à une installation ou une application non conforme de l'appareil ou de ses accessoires.



Précaution CEM

Le module analogique de série $\alpha 2$ Mitsubishi Electric a été jugé conforme aux dites normes et directives européennes. Mais (pour obtenir les meilleures performances de ce qui sont en fait des dispositifs de sortie de mesure et de contrôle délicats), Mitsubishi Electric souhaite indiquer les points suivants:

- Comme les modules analogiques sont sensibles par nature, ils doivent être utilisés avec précaution. Les utilisateurs de câbles exclusifs (comprenant capteurs ou actionneurs) doivent suivre les exigences d'installation de leurs fabricants.
- Mitsubishi Electric recommande l'emploi de câbles blindés. Si AUCUNE autre protection CEM n'est prévue, alors les utilisateurs peuvent subir des erreurs temporaires ne dépassant pas +10%/-10% dans des zones fortement industrialisées. Mais Mitsubishi Electric suggère que si les précautions CEM adéquates sont suivies avec la bonne pratique générale CEM pour le système de contrôle complet des utilisateurs, ces derniers devraient prévoir des erreurs normales comme spécifié dans chaque manuel de produit indépendant.

12.1 Vue d'ensemble

Le module adaptateur de PT100 AL2-2PT-ADP convertit le signal d'un capteur de température PT100 en une tension comprise entre 0 et 10 V qui est ensuite traitée dans l'appareil de base.

12.1.1 Dimensions extérieures

Figure 12.1: Dimensions extérieures Unité :mm (Inch)

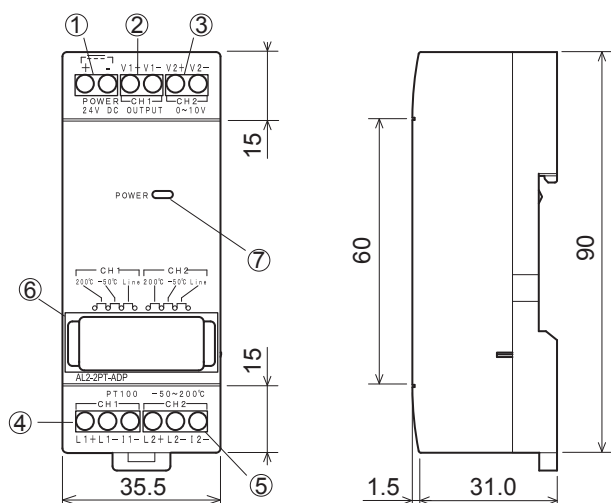


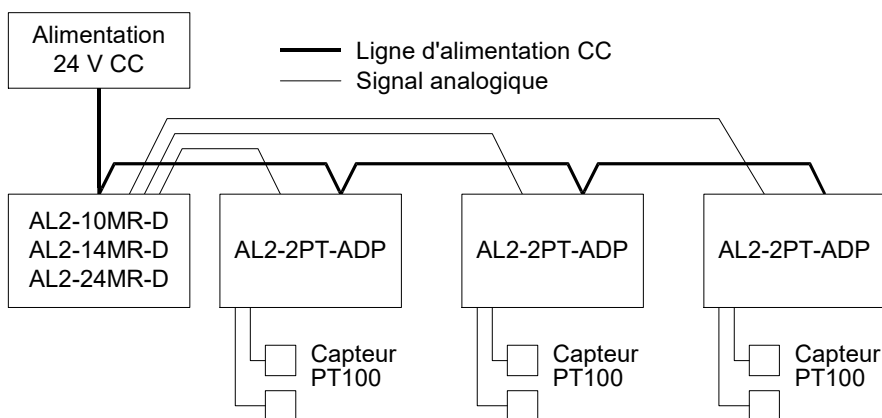
Tableau 12.1:

Item	Description
1	+24 V CC borne d'entrée
2	Canal 1 borne de sortie de tension
3	Canal 2 borne de sortie de tension
4	Thermomètre à résistance électrique PT100, canal 1
5	Thermomètre à résistance électrique PT100, canal 2
6	Cavalier pour le réglage du module
7	DEL alimentation pour l'affichage de l'état de service

FRE

12.2 Configuration du système

Figure 12.2:



Vous trouverez les données techniques générales dans le chapitre 2.

Tableau 12.2: Versions utilisables

API et logiciel de programmation	Version utilisable
Contrôleur $\alpha 2$ (version CC seulement)	V2.00 ou supérieure
Logiciel VLS	V2.30 ou supérieure



Remarque

L'AL2-2PT-ADP ne peut pas être raccordé à un contrôleur α .

12.3 Données techniques

Tableau 12.3: Données techniques générales

Spécification	Données techniques
Température de fonctionnement	(-25) - 55 °C
Température de stockage	(-30) - 70 °C
Humidité	Humidité relative 35 à 85 %, sans condensation
Résistance aux vibrations lors de montage sur rails DIN	Selon IEC 68-2-6; 10 – 57 Hz: 0,075 mm amplitude constante, 57 – 150 Hz: 9,8 m/s ² accélération, nombre de balayages pour X, Y, Z: 10 x (80 min. dans les 3 directions d'axe)
Résistances aux chocs	Selon IEC 68-2-27: 147m/s ² accélération pour 11 ms, 3 fois dans les 3 directions d'axe X, Y et Z
Résistance aux tensions parasites	1000 Vpp pour 1µs, 30 - 100 Hz, testé par simulateur de tensions parasites
Rigidité diélectrique	500 V CA~ pendant une minute entre toutes les bornes et la boîte de commande DIN43880 ou un équivalent.
Résistance d'isolement	7 MΩ à 500 V CC entre toutes les bornes et la boîte de distribution DIN43880 ou un équivalent.
Conditions ambiantes	Sans gaz agressifs

Tableau 12.4: Alimentation en courant

Spécification	Données techniques
Alimentation en courant	24 V CC (+20 %, -15 %)
Puissance absorbée max.	1,0 W

Tableau 12.5: Conformité aux normes et directives

Spécification		Norme/directive
Directive CE	EMC	EN61131-2: 2007
Certification d'UL/ULC		Numéro de dossier: E95239

Tableau 12.6: Données techniques du matériel

Spécification	Données techniques	
	Grad Celsius (°C)	Grad Fahrenheit (°F)
Capteur de température	Thermomètre à résistance électrique en platine PT100 (100 Ω), raccordement à 3 fils, coefficient de température: IEC 751	
Plage compensée	-50 °C - 200 °C	-58 °F - 392 °F
Précision	±1,5 % (pour toutes les températures) et ± 1,0 % à 25 °C	±1,5 % (pour toutes les températures) et ± 1,0 % à 77 °F
Résolution	0,5 °C	
Durée de conversion	20,5 ms	
Isolation	Pas d'isolation entre les canaux (entré/sortie) et l'alimentation	
Caractéristique de conversion		

FRE

Tableau 12.7: Bits système utilisés

Spécification		Description	AL2-10MR-D	AL2-14MR-D AL2-24MR-D
Bit système	M17	Est activé lors d'une erreur de capteur sur I01	✓	✓
	M18	Est activé lors d'une erreur de capteur sur I02	✓	✓
	M19	Est activé lors d'une erreur de capteur sur I03	✓	✓
	M20	Est activé lors d'une erreur de capteur sur I04	✓	✓
	M21	Est activé lors d'une erreur de capteur sur I05	✓	✓
	M22	Est activé lors d'une erreur de capteur sur I06	✓	✓
	M23	Est activé lors d'une erreur de capteur sur I07	—	✓
	M24	Est activé lors d'une erreur de capteur sur I08	—	✓

12.4 Installation et câblage

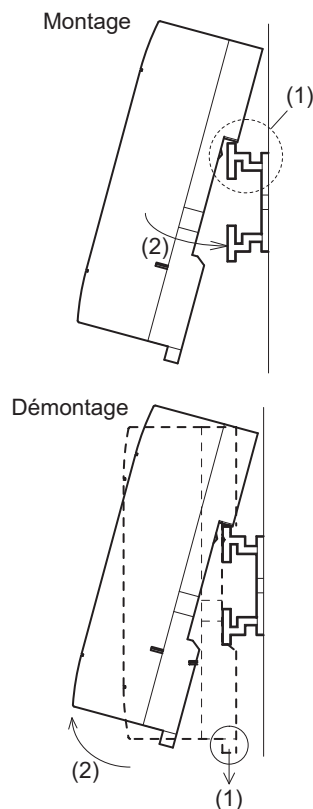
12.4.1 Installation



Attention

- Les appareils ne doivent pas être exposés aux conditions ambiantes suivantes : environnements avec un degré élevé de poussières conductrices, corrosion, gaz inflammables, humidité élevée, pluie, ensoleillement direct, chaleur importante, fortes ondes de choc et vibrations.
- Les raccordements doivent être recouverts afin d'éviter un contact avec les éléments sous tension.
- Le contrôleur $\alpha 2$ et l'AL2-2PT-ADP doivent être montés dans une armoire électrique conforme à la norme DIN 43880 ou dans un boîtier de distribution. L'AL2-2PT-ADP doit être protégé par un recouvrement contre la pénétration de corps étrangers.
- Pour le refroidissement, un écart de 10 mm entre la face supérieure et inférieure de l'AL2-2PT-ADP et les autres appareils doit être respecté.
- La distance maximale entre le contrôleur de série $\alpha 2$ et AL2-2PT-ADP doit être de 3 m maximum.
- Le câble d'alimentation doit avoir moins de 10 m de long.
- Un capteur avec isolation nominale pour 500 V ou plus doit être utilisé quand le capteur est placé près d'un matériau conducteur.

Figure 12.3: Installation



Le module peut être monté sur un rail DIN (35 mm, DIN EN 50022). Pour le démontage, tirez sur la pêne équipée d'un ressort et retirez le module du rail.

- 1) Montage
Placez l'AL2-2PT-ADP avec la face supérieure sur le rail (1) et enfoncez le module sur le rail (2).
- 2) Démontage
Tirez la pêne vers le bas (1) et retirez l'AL2-2PT-ADP.

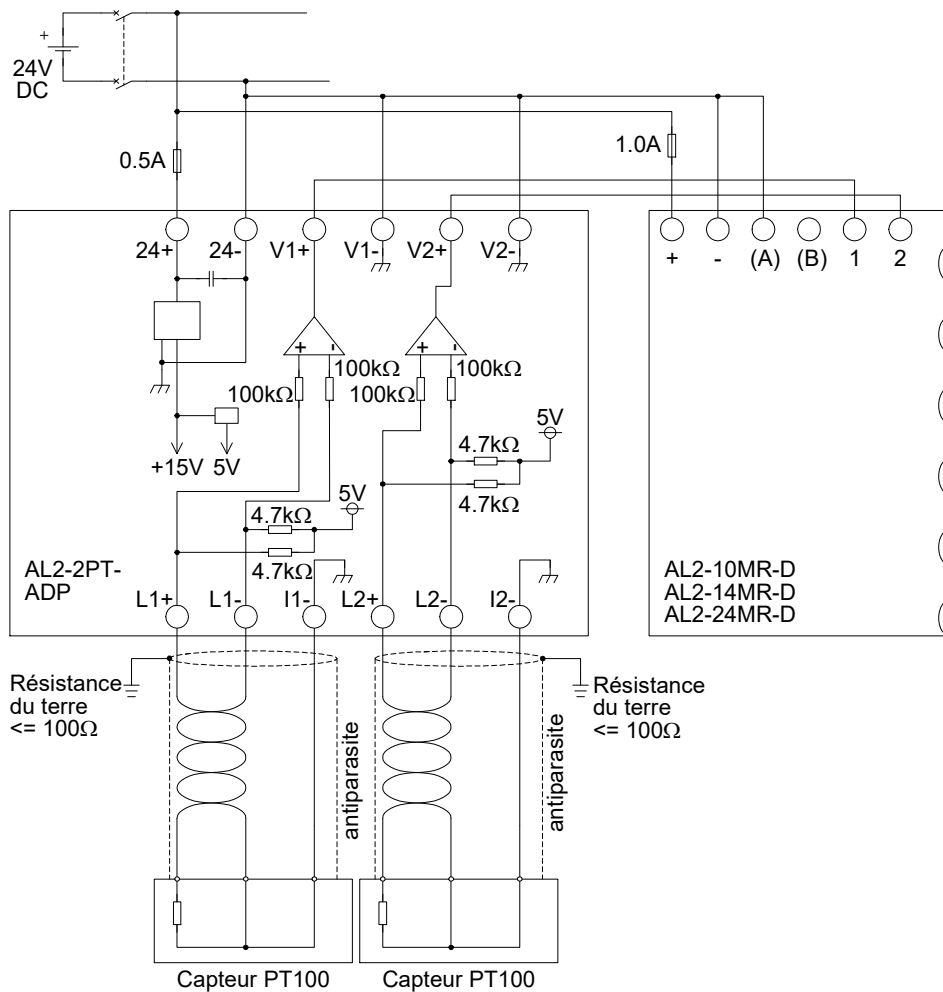
12.4.2 Câblage



Attention

- Utilisez une alimentation isolée et déconnectez la tension avant tout travail de câblage.
- Les signaux d'entrée et de sortie ne doivent pas être guidés à travers le même câble ou le même faisceau de câbles.
- La longueur des lignes pour les signaux d'entrée (du capteur vers l'AL2-2PT-ADP) ne doit pas dépasser 10 m et la longueur des lignes pour les signaux de sortie ne doit pas dépasser 3 m.
- Utilisez pour le raccordement des lignes avec des fils rigides ou flexibles (pour raccord à sertir) qui sont soigneusement torsadés. N'utilisez aucun fil flexible avec extrémité soudée sur l'AL2-2PT-ADP.
- Afin d'éviter un endommagement des fils, serrez les bornes à vis en exerçant un couple de serrage compris entre 0,5 et 0,6 Nm..
- La tension d'alimentation doit être déconnectée avant le câblage pour le réglage de l'offset et du gain sur l'AL2-2PT-ADP.

Figure 12.4: Raccordement



FRE

12.4.3 Choix de l'unité de mesure pour la température

- 1) Mettez l'alimentation en courant du contrôleur $\alpha 2$ en marche et sélectionnez dans le menu principal „Autres“.

```
MenuPrinc
  Régl.Horl
  LANGUAGE
  »Autres
```

- 2) Dans le menu „Autres“, sélectionnez „Anal. In“.

```
Autres
  Com.Série
  Tps.Lumi.
  »Anal.In
```

- 3) Dans le menu „Anal. In“, sélectionnez „Éch. temp“.

```
Anal.In
  I07
  I08
  »Éch.temp.
```

- 4) Choisissez avec la touche OK entre „Celsius“ et “Fahrenheit“

```
Anal.In
  Éch.temp.
  »Celsius
  Fahrenheit
```



L'unité de mesure peut être choisie uniquement commune aux deux canaux.



Les valeurs dans le menu d'étalonnage apparaissent indépendamment de l'unité de mesure choisie en degré Celsius car les contacts pour les straps enfichables de l'AL2-2PT-ADP sont également écrits dans cette unité.

12.4.4 Réglage de l'offset



Remarque

Si l'ajustement du gain est achevé, les étapes 3 à 7 sont inutiles.

- 1) Déconnectez la tension d'alimentation du contrôleur $\alpha 2$ et de l'AL2-2PT-ADP avant l'étalonnage du canal 1, débranchez la sonde de température et reliez L1- avec I1-. L1+ reste non connecté. Les broches L1- à I1-. L1+ doivent rester non connectées.
- 2) Retirez le couvercle des straps enfichables et enfichez les ponts sur les contacts qui sont marqués avec „-50 °C“ (voir figure suivante).



Précaution

Le cavalier doit être installé correctement, sinon, parfois le contact électrique peut ne pas se faire.

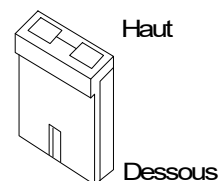
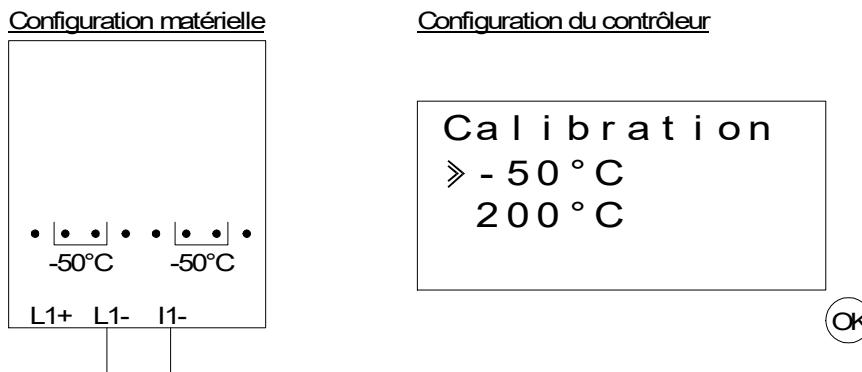
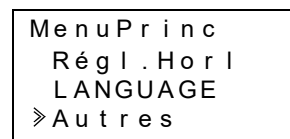


Figure 12.5: Réglage de l'offset pour AL2-2PT-ADP

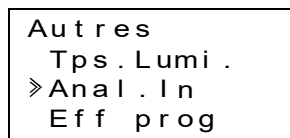


FRE

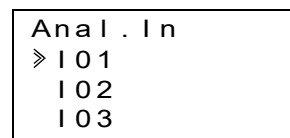
- 3) Mettez le contrôleur en marche et sélectionnez (avec API arrêté) le menu „Autres“.



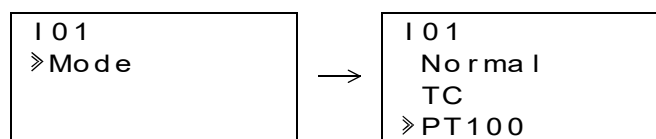
- 4) Dans le menu „Autres“, sélectionnez „Anal. In“.



- 5) Sélectionnez l'entrée sur laquelle l'AL2-2PT-ADP est raccordé.



- 6) Configurez l'entrée pour la mesure de température avec l'AL2-2PT-ADP en sélectionnant „Mode“ puis „PT100“.



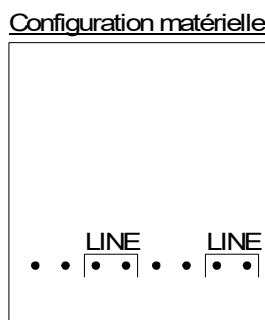
- 7) Après la saisie de „PT100“, sélectionnez „Calibration“ dans le menu „Anal. In“.



- 8) Sélectionnez „-50°C“ dans le menu „Calibrate“ (voir Fig. 12.5). Le message „OK“ doit alors apparaître sur l'affichage. Si ce n'est pas le cas, suivez les indications de diagnostic du chap. 12.4.7. Ainsi se termine le réglage d'offset pour le canal 1. Pour régler l'offset pour le canal 2, répétez les étapes indiquées ci-dessus, mais reliez L2- avec I2- et ne raccordez pas L2+.

Après l'étalonnage, les straps enfichables sont mis sur les contacts „LINE“ :

Figure 12.6: Position des straps enfichables après l'étalonnage



Après le réglage de l'offset, le gain doit également être ajusté. Ce processus est décrit dans le chapitre suivant.

12.4.5 Réglage du gain



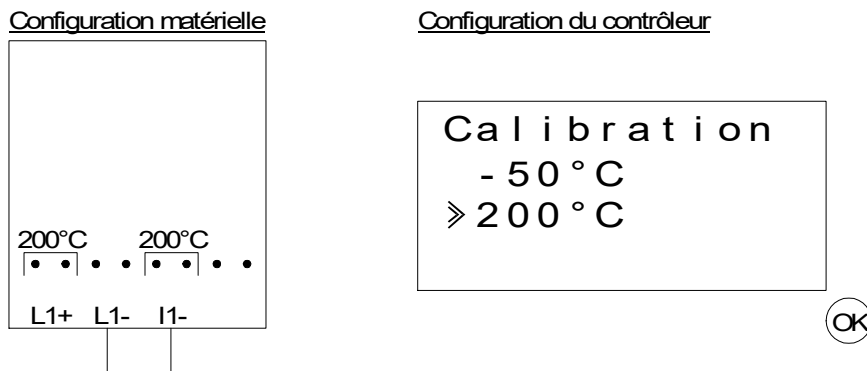
Remarque

Si l'ajustement du gain est achevé, les étapes 3 et 4 sont inutiles.

- 1) Déconnectez la tension d'alimentation du contrôleur $\alpha 2$ et de l'AL2-2PT-ADP avant l'étalonnage du gain du canal 1, débranchez la sonde de température et reliez L1- avec I1-. L1+ reste non connecté. Les broches L1- à I1-. L1+ doivent rester non connectées.

- 2) Retirez le couvercle des straps enfichables et enfichez les ponts comme indiqué sur la figure suivante sur les contacts qui sont marqués avec „200 °C“.

Figure 12.7: Réglage du gain pour l'AL2-2PT-ADP



- 3) Mettez le contrôleur en marche et sélectionnez (avec API arrêté) le menu „Autres“.



FRE

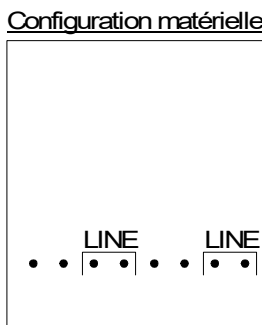
- 4) Après avoir choisi le mode PT100 (voir description du réglage d'offset), sélectionnez „Calibration“ dans le menu „Anal. In“.



- 5) Sélectionnez „200°C“ dans le menu „Calibration“ (voir Fig. 12.5). Le message „OK“ doit alors apparaître sur l'affichage. Si ce n'est pas le cas, suivez les indications de diagnostic du chap. 12.4.7. Ainsi se termine le réglage du gain pour le canal 1. Pour régler le gain pour le canal 2, répétez les étapes indiquées ci-dessus, mais reliez L2- avec I2- et ne raccordez pas L2+.

Après l'étalonnage, les straps enfichables sont mis sur les contacts „LINE“ :

Figure 12.8: Position des straps enfichables après l'étalonnage



Lors de réglage du gain, l'offset doit également être ajusté. Ce processus est décrit dans le chapitre 12.4.4.

12.4.6 Réglage précis de l'offset



Le réglage précis doit être réalisé uniquement lorsque l'offset et le gain ont déjà été ajustés.

- 1) Sélectionnez dans le menu principal le menu „Autres“.

```
MenuPrinc
Rég l . Hor l
LANGUAGE
» Autres
```

- 2) Dans le menu „Autres“, sélectionnez „Anal. In“.

```
Autres
Tps . Lumi .
» Anal . In
Eff prog
```

- 3) Dans le menu „Anal. In“, sélectionnez l'entrée qui doit être configurée comme entrée PT100.

```
Anal . In
I 0 1
» I 0 2 : PT100
I 0 3 : TC
```

- 4) Dans le menu pour le réglage des entrées analogiques, sélectionnez „Offset(fin)“.

```
I 0 2
Mode
Calibration
» Offset ( fin )
```

- 5) Indiquez à l'aide des touches „+“ et „-“, une valeur comprise entre -15,5 °C et 15,5 °C (-27,9 °F et 27,9 °F). Après la saisie, quittez le réglage précis en actionnant la touche „OK“.

```
I 0 2
Offset ( fin )
0 . 0 ° C
```

12.4.7 Diagnostic

Si la tension d'entrée est supérieure à 11 V ou égale à 0 V, les bits système suivants sont activés :

Tableau 12.8:

Bit système	Description	AL2-10MR-D	AL2-14MR-D AL2-24MR-D
M17	0: Aucun erreur 1: Erreur sur l'entrée I01	✓	✓
M18	0: Aucun erreur 1: Erreur sur l'entrée I02	✓	✓
M19	0: Aucun erreur 1: Erreur sur l'entrée I03	✓	✓
M20	0: Aucun erreur 1: Erreur sur l'entrée I04	✓	✓
M21	0: Aucun erreur 1: Erreur sur l'entrée I05	✓	✓
M22	0: Aucun erreur 1: Erreur sur l'entrée I06	✓	✓
M23	0: Aucun erreur 1: Erreur sur l'entrée I07	—	✓
M24	0: Aucun erreur 1: Erreur sur l'entrée I08	—	✓

FRE

Si l'un des bits système indiqués ci-dessus est activé, vérifiez

- si une sonde de température est raccordée.
- si la ligne de la sonde de température est interrompue.
- si la température est dans la plage admissible.
- si l'AL2-2PT-ADP est alimenté en courant.

Si lors du calibrage d'offset / gain le message "d'erreur" apparaît au lieu de "OK", vérifiez-en la cause.

- L'AL2-2PT-ADP est alimenté en tension.
- L'AL2-2PT-ADP est correctement raccordé au contrôleur $\alpha 2$.
- L'entrée à laquelle l'AL2-2PT-ADP est raccordé, a été sélectionnée pour calibrage.
- Les entrées L1- et 11- de l'AL2-2PT-ADP sont court-circuitées.
- Le pont enfichable est placé soit sur la position "-50°C", soit sur la position "200°C".
- La donnée dans le menu de calibrage qui se réfère à la position du pont enfichable est sélectionnée ("-50°C" ou "200°C").

13. AL2-2TC-ADP

Le module adaptateur de thermocouple AL2-2TC-ADP convertit la température mesurée avec un thermocouple de type K en une tension comprise entre 0 et 10 V pour le traitement ultérieur dans l'appareil de base. Vous trouverez de plus amples informations dans le manuel d'installation de l'AL2-2TC-ADP.



Attention

- Seules les personnes formées conformément aux standards locaux et nationaux de sécurité de la technique d'automatisation sont habilitées à réaliser le câblage de l'appareil.
- Le contrôleur $\alpha 2$ n'a pas été développé pour des applications de survie ou autocontrôlées.
- MITSUBISHI ELECTRIC ne répondra ou ne sera rendu responsable en aucun cas des dommages consécutifs à une installation ou une application non conforme de l'appareil ou de ses accessoires.



Précaution CEM

Le module analogique de série $\alpha 2$ Mitsubishi Electric a été jugé conforme aux dites normes et directives européennes. Mais (pour obtenir les meilleures performances de ce qui sont en fait des dispositifs de sortie de mesure et de contrôle délicats), Mitsubishi Electric souhaite indiquer les points suivants:

- Comme les modules analogiques sont sensibles par nature, ils doivent être utilisés avec précaution. Les utilisateurs de câbles exclusifs (comprenant capteurs ou actionneurs) doivent suivre les exigences d'installation de leurs fabricants.
- Mitsubishi Electric recommande l'emploi de câbles blindés. Si AUCUNE autre protection CEM n'est prévue, alors les utilisateurs peuvent subir des erreurs temporaires ne dépassant pas +10%/-10% dans des zones fortement industrialisées. Mais Mitsubishi Electric suggère que si les précautions CEM adéquates sont suivies avec la bonne pratique générale CEM pour le système de contrôle complet des utilisateurs, ces derniers devraient prévoir des erreurs normales comme spécifié dans chaque manuel de produit indépendant.

13.1 Vue d'ensemble

Le module adaptateur de thermocouple AL2-2TC-ADP est implanté pour convertir les températures en une tension comprise entre 0 et 10 V. Un thermocouple de type K est destiné à la mesure de température. La valeur de la tension est ensuite traitée dans l'appareil de base.

13.1.1 Dimensions extérieures

Figure 13.1: Dimensions extérieures

Unité : mm

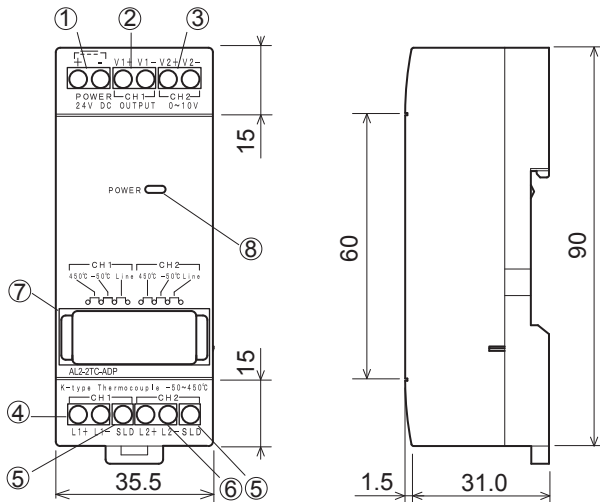
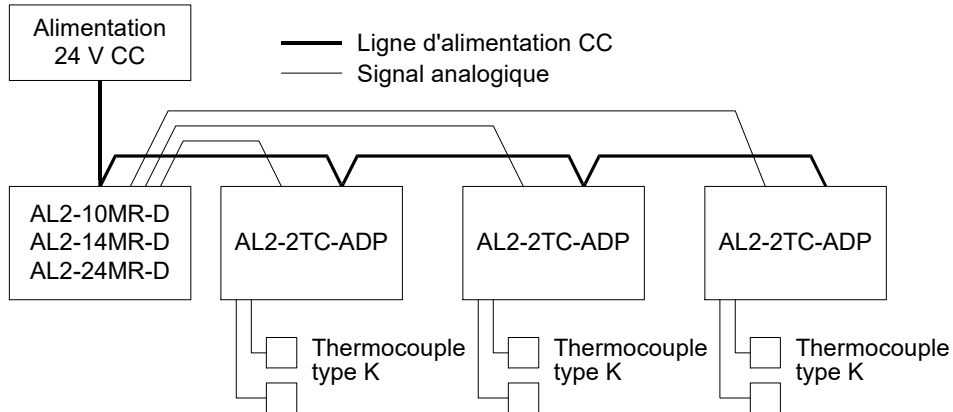


Tableau 13.1:

Item	Description
1	+24 V CC borne d'entrée
2	Canal 1 borne de sortie de tension
3	Canal 2 borne de sortie de tension
4	Canal 1: Branchement pour thermocouple de type K
5	Borne de masse pour le blindage
6	Canal 2: Branchement pour thermocouple de type K
7	Cavalier pour le réglage du module
8	DEL alimentation pour l'affichage de l'état de service

13.2 Configuration du système

Figure 13.2:



Vous trouverez les données techniques générales dans le chapitre 2.

Tableau 13.2: Versions utilisables

API et logiciel de programmation	Version utilisable
Contrôleur $\alpha 2$ (version CC seulement)	V2.00 ou supérieure
Logiciel VLS	V2.30 ou supérieure



Remarques

L'AL2-2TC-ADP ne peut pas être raccordé à un contrôleur α .

FRE

13.3 Données techniques

Tableau 13.3: Données techniques générales

Spécification	Données techniques
Température de fonctionnement	(-25) - 55 °C
Température de stockage	(-30) - 70 °C
Humidité	Humidité relative 35 à 85 %, sans condensation
Résistance aux vibrations lors de montage sur rails DIN	Selon IEC 68-2-6; 10 – 57 Hz: 0,075 mm amplitude constante, 57 – 150 Hz: 9,8 m/s ² accélération, nombre de balayages pour X, Y, Z: 10 x (80 min. dans les 3 directions d'axe)
Résistances aux chocs	Selon IEC 68-2-27: 147m/s ² accélération pour 11 ms, 3 fois dans les 3 directions d'axe X, Y et Z
Résistance aux tensions parasites	1000 Vpp pour 1µs, 30 - 100 Hz, testé par simulateur de tensions parasites
Rigidité diélectrique	500 V CA~ pendant une minute entre toutes les bornes et la boîte de commande DIN43880 ou un équivalent.
Résistance d'isolement	7 MΩ à 500 V CC entre toutes les bornes et la boîte de distribution DIN43880 ou un équivalent.
Conditions ambiantes	Sans gaz agressifs

Tableau 13.4: Alimentation en courant

Spécification	Techn. Daten
Alimentation en courant	24 V CC (+20 %, -15 %)
Puissance absorbée max.	0,5 W

Tableau 13.5: Conformité aux normes et directives

Spécification		Norme/directive
Directive CE	EMC	EN61131-2: 2007
Certification d'UL/ULC		Numéro de dossier: E95239

Table 13.6: Données techniques du matériel

Spécification	Techn. Daten	
	Grad Celsius (°C)	Grad Fahrenheit (°F)
Capteur de température	Thermocouple isolé de type K (IEC 584-1 1977, IEC 584-2 1982)	
Plage compensée	-50 °C - 450 °C	-58 °F - 842 °F
Précision	±2,0 % (pour toutes les températures) et ±1,5 % à 25 °C	±2,0 % (pour toutes les températures) et ±1,5 % à 77 °F
Résolution	1 °C	
Durée de conversion	20,5 ms	
Isolation	Pas d'isolation entre les canaux (entré/sortie) et l'alimentation	
Caractéristique de conversion		

FRE

Tableau 13.7: Bits système utilisés

Spécification		Description	AL2-10MR-D	AL2-14MR-D AL2-24MR-D
Bit système	M17	Est activé lors d'une erreur de capteur sur I01	✓	✓
	M18	Est activé lors d'une erreur de capteur sur I02	✓	✓
	M19	Est activé lors d'une erreur de capteur sur I03	✓	✓
	M20	Est activé lors d'une erreur de capteur sur I04	✓	✓
	M21	Est activé lors d'une erreur de capteur sur I05	✓	✓
	M22	Est activé lors d'une erreur de capteur sur I06	✓	✓
	M23	Est activé lors d'une erreur de capteur sur I07	—	✓
	M24	Est activé lors d'une erreur de capteur sur I08	—	✓

13.4 Installation et câblage

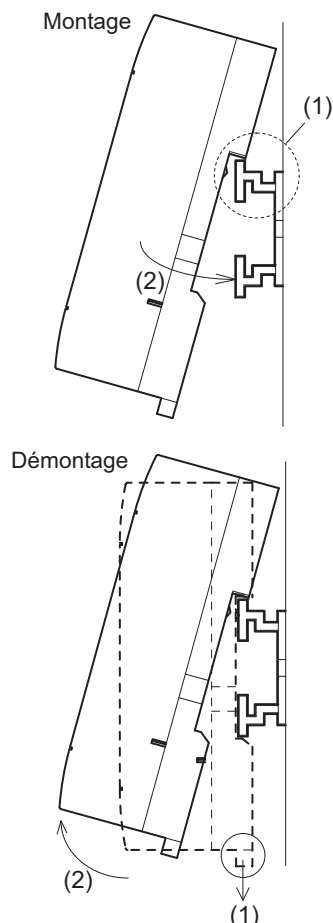
13.4.1 Installation



Attention

- Les appareils ne doivent pas être exposés aux conditions ambiantes suivantes : environnements avec un degré élevé de poussières conductrices, corrosion, gaz inflammables, humidité élevée, pluie, ensoleillement direct, chaleur importante, fortes ondes de choc et vibrations.
- Les raccordements doivent être recouverts afin d'éviter un contact avec les éléments sous tension.
- Le contrôleur $\alpha 2$ et l'AL2-2TC-ADP doivent être montés dans une armoire électrique conforme à la norme DIN 43880 ou dans un boîtier de distribution. L'AL2-2TC-ADP doit être protégé par un recouvrement contre la pénétration de corps étrangers.
- Pour le refroidissement, un écart de 10 mm entre la face supérieure et inférieure de l'AL2-2TC-ADP et les autres appareils doit être respecté.
- La distance maximale entre le contrôleur de série $\alpha 2$ et AL2-2PT-ADP doit être de 3 m maximum.
- Le câble d'alimentation doit avoir moins de 10 m de long.
- Un capteur avec isolation nominale pour 500 V ou plus doit être utilisé quand le capteur est placé près d'un matériau conducteur.

Figure 13.3: Installation



Le module peut être monté sur un rail DIN (35 mm, DIN EN 50022). Pour le démontage, tirez sur la pêne équipée d'un ressort et retirez le module du rail.

1) Montage

Placez l'AL2-2TC-ADP avec la face supérieure sur le rail (1) et enfoncez le module sur le rail (2).

2) Démontage

Tirez la pêne vers le bas (1) et retirez l'AL2-2TC-ADP.

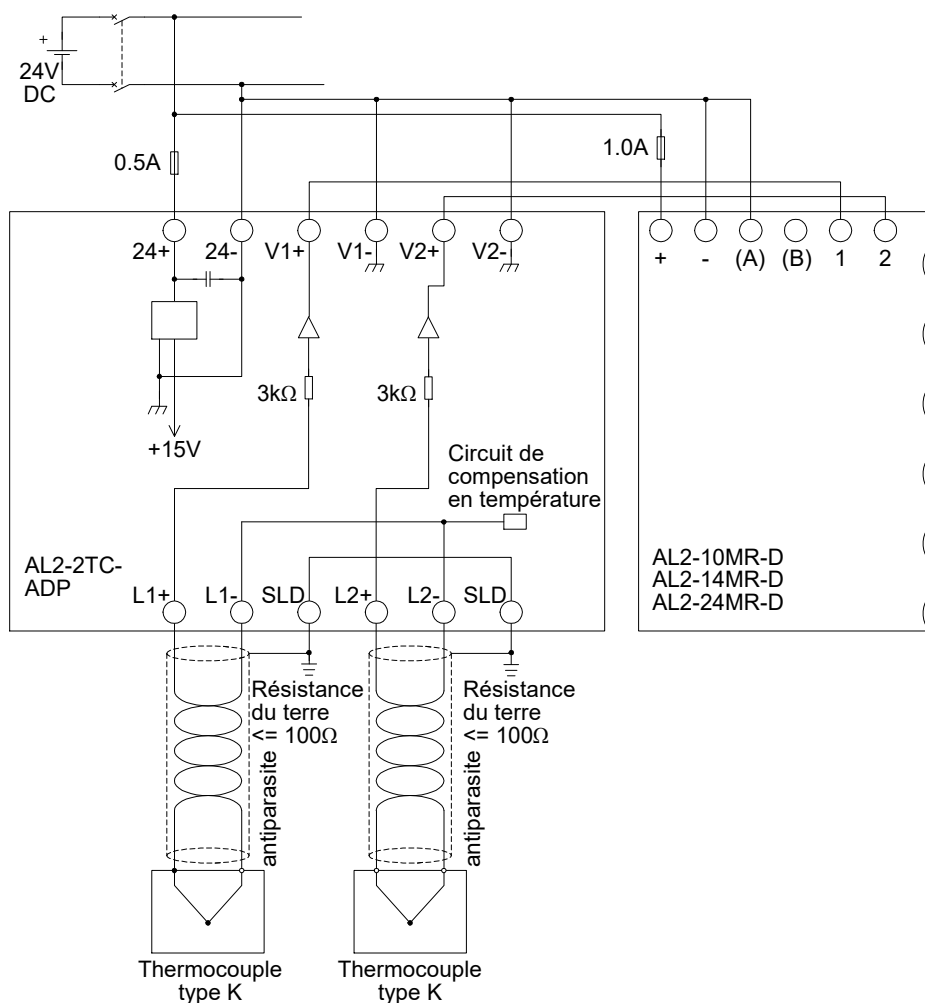
13.4.2 Câblage



Attention

- Utiliser une alimentation isolée et mettre hors tension avant d'effectuer le câblage.
- Les signaux d'entrée et de sortie ne doivent pas être guidés à travers le même câble ou le même faisceau de câbles.
- La longueur des lignes pour les signaux d'entrée (du capteur vers l'AL2-2TC-ADP) ne doit pas dépasser 10 m et la longueur des lignes pour les signaux de sortie ne doit pas dépasser 3 m.
- Utilisez pour le raccordement des lignes avec des fils rigides ou flexibles (pour raccord à sertir) qui sont soigneusement torsadés. N'utilisez aucun fil flexible avec extrémité soudée sur l'AL2-2TC-ADP.
- Afin d'éviter un endommagement des fils, serrez les bornes à vis en exerçant un couple de serrage compris entre 0,5 et 0,6 Nm..
- La tension d'alimentation doit être déconnectée avant le câblage pour le réglage de l'offset et du gain sur l'AL2-2TC-ADP.

Figure 13.4:



FRE

13.4.3 Choix de l'unité de mesure pour la température

- 1) Mettez l'alimentation en courant du contrôleur $\alpha 2$ en marche et sélectionnez dans le menu principal „Autres“.

```
MenuPrinc
  Régl.Horl
  LANGUAGE
  »Autres
```

- 2) Dans le menu „Autres“, sélectionnez „Anal. In“.

```
Autres
  Com.Série
  Tps.Lumi.
  »Anal.In
```

- 3) Dans le menu „Anal. In“, sélectionnez „Ech. temp.“.

```
Anal.In
  I07
  I08
  »Éch.temp.
```

- 4) Choisissez avec la touche OK entre „Celsius” et “Fahrenheit”

```
Anal.In
  Éch.temp.
  »Celsius
  Fahrenheit
```



L'unité de mesure peut être choisie uniquement commune aux deux canaux.



Les valeurs dans le menu d'étalonnage apparaissent indépendamment de l'unité de mesure choisie en degré Celsius car les contacts pour les straps enfichables de l'AL2-2TC-ADP sont également écrits dans cette unité..

13.4.4 Réglage de l'offset



Remarque

Si l'ajustement du gain est achevé, les étapes 3 à 7 sont inutiles.

- 1) Déconnectez la tension d'alimentation du contrôleur $\alpha 2$ et de l'AL2-2TC-ADP avant l'étalonnage du canal 1, débranchez le thermocouple. Les raccordements L1-, L1+ et SLD restent libres.
- 2) Retirez le couvercle des straps enfichables et enfichez les ponts sur les contacts qui sont marqués avec „-50 °C“ (voir figure suivante).



Précaution

Le cavalier doit être installé correctement, sinon, parfois le contact électrique peut ne pas se faire.

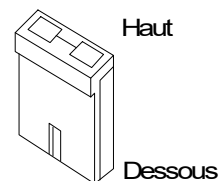
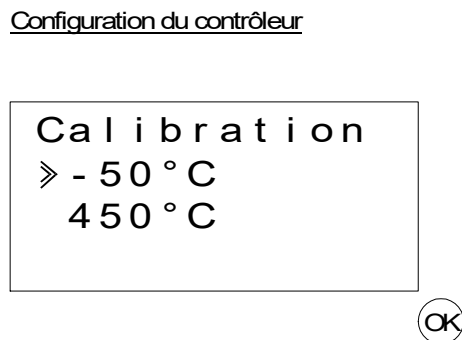
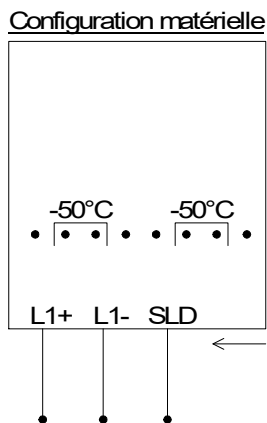
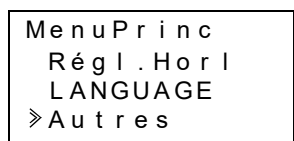


Figure 13.5: Réglage de l'offset pour l'AL2-2TC-ADP

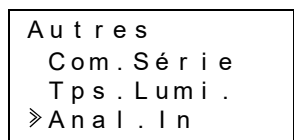


FRE

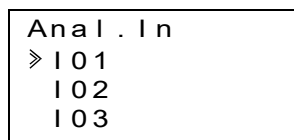
- 3) Mettez le contrôleur en marche et sélectionnez (avec API arrêté) le menu „Autres“.



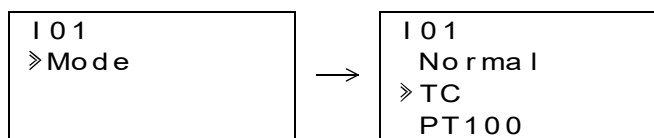
- 4) Dans le menu „Autres“, sélectionnez „Anal. In“.



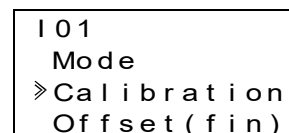
- 5) Sélectionnez l'entrée sur laquelle l'AL2-2TC-ADP est raccordé.



- 6) Configurer l'entrée pour la détection de la température avec le module AL2-2TC-ADP en sélectionnant "Mode" et en choisissant "TC" sur l'écran suivant.



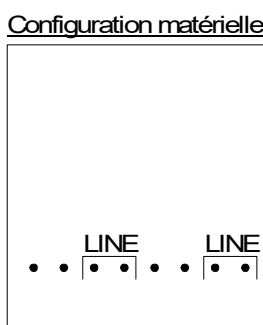
- 7) Après la saisie de „TC“, sélectionnez „Calibration“ dans le menu „Anal. In“.



- 8) Sélectionnez „-50°C“ dans le menu „Calibrate“ (voir Fig. 13.5). Le message „OK“ doit alors apparaître sur l'affichage. Si ce n'est pas le cas, suivez les indications de diagnostic du chap. 13.4.7. Ainsi se termine le réglage d'offset pour le canal 1. Pour régler l'offset pour le canal 2, répétez les étapes indiquées ci-dessus, mais laissez les raccordements L2-, L2+ et SLD non connectés.

Après l'étalonnage, les straps enfichables sont mis sur les contacts „LINE“:

Figure 13.6: Position des straps enfichables après l'étalonnage



Après le réglage de l'offset, le gain doit également être ajusté. Ce process est décrit dans le chapitre suivant.

13.4.5 Réglage du gain

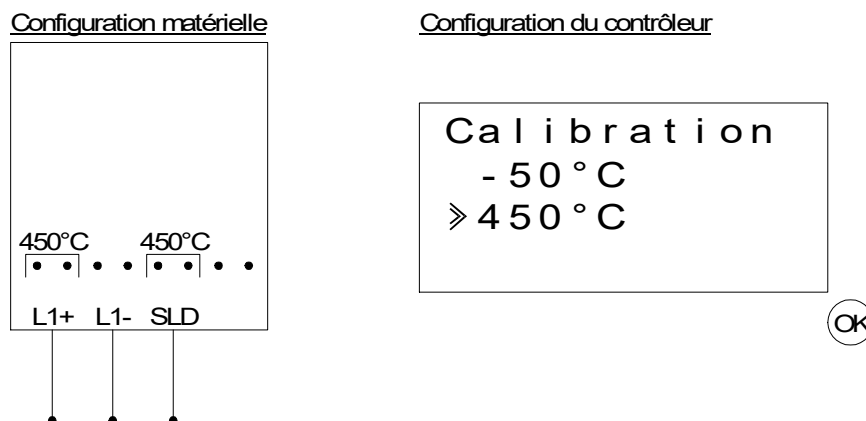
Remarque

Si l'ajustement du décalage est achevé, les étapes 3 et 4 sont inutiles.

- 1) Déconnectez la tension d'alimentation du contrôleur $\alpha 2$ et de l'AL2-2TC-ADP avant l'étalonnage du gain du canal 1, débranchez la sonde de température. Les raccordements L1-, L1+ et SLD restent libres.

- 2) Retirez le couvercle des straps enfichables et enfichez les ponts comme indiqué sur la figure suivante sur les contacts qui sont marqués avec „450 °C“.

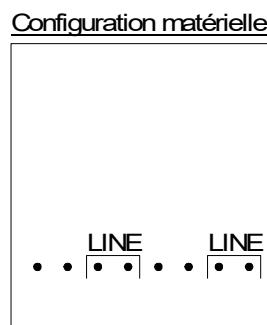
Figure 13.7: Réglage du gain pour l'AL2-2TC-ADP



- 3) Mettez le contrôleur en marche et sélectionnez (avec API arrêté) le menu „Autres“.
- 4) Après avoir choisi le mode thermocouple (TC) (voir description du réglage d'offset), sélectionnez „Calibration” dans le menu „Anal. In“.
- 5) Sélectionnez „450°C” dans le menu „Calibrate“ (voir Fig. 13.7). Le message „OK” doit alors apparaître sur l'affichage. Si ce n'est pas le cas, suivez les indications de diagnostic du chap. 13.4.7. Ainsi se termine le réglage du gain pour le canal 1. Pour régler le gain pour le canal 2, répétez les étapes indiquées ci-dessus, mais laissez les raccordements L2-, L2+ et SLD non connectés.
 Après l'étalonnage, les straps enfichables sont mis sur les contacts „LINE“ :

FRE

Figure 13.8: Position des straps enfichables après l'étalonnage



Lors de réglage du gain, l'offset doit également être ajusté. Ce processus est décrit dans le chapitre 13.4.4.

13.4.6 Réglage précis de l'offset



Le réglage précis doit être réalisé uniquement lorsque l'offset et le gain ont déjà été ajustés.

- 1) Sélectionnez dans le menu principal le menu „Autres“.

```
MenuPrinc
  Régl.Horl
  LANGUAGE
  »Autres
```

- 2) Dans le menu „Autres“, sélectionnez „Anal. In“.

```
Autres
  Com.Série
  Tps.Lumi.
  »Anal.In
```

- 3) Dans le menu „Anal. In“, sélectionnez l'entrée qui doit être configurée comme entrée TC.

```
Anal.In
  I01
  I02:PT100
  »I03:TC
```

- 4) Dans le menu de réglage des entrées analogiques, sélectionnez „Offset(fin)“

```
I03
  Mode
  Calibration
  »Offset(fin)
```

- 5) Indiquez à l'aide des touches „+“ et „-“, une valeur comprise entre -31 °C et 31 °C (-55,8 °F et 55,8 °F). Après la saisie, quittez le réglage précis en actionnant la touche „OK“.

```
I03
  Offset(fin)
  0°C
```

13.4.7 Diagnostic

Si la tension d'entrée est supérieure à 11 V ou égale à 0 V, les bits système suivants sont activés :

Table 13.8:

Bit système	Description	AL2-10MR-D	AL2-14MR-D AL2-24MR-D
M17	0: Aucun erreur 1: Erreur sur l'entrée I01	✓	✓
M18	0: Aucun erreur 1: Erreur sur l'entrée I02	✓	✓
M19	0: Aucun erreur 1: Erreur sur l'entrée I03	✓	✓
M20	0: Aucun erreur 1: Erreur sur l'entrée I04	✓	✓
M21	0: Aucun erreur 1: Erreur sur l'entrée I05	✓	✓
M22	0: Aucun erreur 1: Erreur sur l'entrée I06	✓	✓
M23	0: Aucun erreur 1: Erreur sur l'entrée I07	—	✓
M24	0: Aucun erreur 1: Erreur sur l'entrée I08	—	✓

FRE

Si l'un des bits système indiqués ci-dessus est activé, vérifiez

- si une sonde de température est raccordée.
- si la ligne de la sonde de température est interrompue.
- si la température est dans la plage admissible.
- si l'AL2-2TC-ADP est alimenté en courant.

Si lors du calibrage d'offset / gain le message "d'erreur" apparaît au lieu de "OK", vérifiez-en la cause.

- L'AL2-2PT-ADP est alimenté en tension.
- L'AL2-2PT-ADP est correctement raccordé au contrôleur $\alpha 2$.
- L'entrée à laquelle l'AL2-2PT-ADP est raccordé, a été sélectionnée pour calibrage.
- Les entrées AL2-2TC-ADP ne sont pas raccordées.
- Les ponts enfichables de l'AL2-2TC-ADP sont placés soit sur la position "-50°C", soit sur la position "450°C".
- La donnée dans le menu de calibrage qui se réfère à la position du pont enfichable est sélectionnée ("-50°C" ou "450°C").

14. Listes des touches, bits du système et blocs de fonctions

14.1 Listes des touches

Le tableau suivant indique les touches à utiliser et leur fonctionnement dans le menu et le programme utilisateur. Vous trouverez de plus amples informations dans le manuel de programmation $\alpha 2$.

Tableau 14.1: Listes des touches de fonction

Nom de la touche	No. des touches	Principales touches de fonction
OK	K01	Pour confirmer la saisie de données, les options des menus, les sélections de programmes
ESC	K02	Pour annuler l'opération en cours, pour changer d'écran ou de menu
+	K03	Pour connecter les blocs fonctions, pour se déplacer vers des blocs de manière croissante, pour incrémenter les valeurs
-	K04	Pour déconnecter les blocs fonctions, pour se déplacer vers des blocs de manière décroissante, pour décrémenter les valeurs
▲	K05	Pour se déplacer vers des articles de manière croissante (touches, blocs fonctions, entrées, sorties, etc.)
▼	K06	Pour se déplacer vers des articles de manière décroissante (touches, blocs fonctions, entrées, sorties, etc.)
▶	K07	Pour se déplacer vers la droite de l'écran à cristaux liquides, du programme FB ou de la commande Saut
◀	K08	Pour se déplacer vers la gauche de l'écran à cristaux liquides, du programme FB ou de la commande Saut

14.2 Listes des bits du système

Ce sont les bits du système contrôlés par le système et les bits de contrôle pour contrôler depuis le programme utilisateur.

14.2.1 Listes des bits du système

Tableau 14.2: Listes des bits du système

Bit du système	Description	AL2-10MR-*	AL2-14MR- AL2-24MR-*
M01	Toujours "ON"	✓	✓
M02	Toujours "OFF"	✓	✓
M03	Alterner - 0.5 secondes "ON", 0.5 secondes "OFF"	✓	✓
M04	"ON" si une erreur de donnée de l'horloge en temps réel apparaît	✓	✓
M05	"ON" si le passage automatique en heure d'été est activé	✓	✓
M06	"ON" si une erreur de communication de l'interface AS apparaît	—	✓
M07	"ON" si une erreur de communication due à une panne de secteur de l'interface AS apparaît	—	✓
M08	"ON" lors du changement du mode Stop au mode Run dans le contrôleur $\alpha 2$. Le signal ON fonctionne comme une sortie d'impulsion et commute alors sur OFF.	✓	✓
M09	"OFF" lors du changement du mode Stop au mode Run dans le contrôleur $\alpha 2$. Le signal OFF fonctionne comme une sortie d'impulsion et commute alors sur ON.	✓	✓
M10	"ON" lors du décodage des signaux DCF77	✓	✓
M11	"ON" impulsion avec le décodage sans erreur des signaux DCF77	✓	✓
M12	"ON" si le signal CD (DCD) est mis sur ON (réception du signal CD depuis le modem)	—	✓
M13	"ON" s'il est possible d'accéder au réseau GSM	—	✓
M14	"ON" si le contrôleur $\alpha 2$ est connecté avec GSM.	—	✓
M15	"ON" si lors du décodage des signaux DCF77 une erreur est apparue.	✓	✓
M16	"ON" si la tension d'alimentation externe pour l'AL2-2DA est connectée.	—	✓
M17	"ON" lors d'une erreur de capteur sur I01	✓	✓
M18	"ON" lors d'une erreur de capteur sur I02	✓	✓
M19	"ON" lors d'une erreur de capteur sur I03	✓	✓
M20	"ON" lors d'une erreur de capteur sur I04	✓	✓
M21	"ON" lors d'une erreur de capteur sur I05	✓	✓
M22	"ON" lors d'une erreur de capteur sur I06	✓	✓
M23	"ON" lors d'une erreur de capteur sur I07	—	✓
M24	"ON" lors d'une erreur de capteur sur I08	—	✓

FRE

14.2.2 Listes des bits de contrôle

Tableau 14.3: Bits de contrôle

Bit de contrôle	Description	AL2-10MR-*	AL2-14MR- AL2-24MR-*
N01	ON: Pas de connexion au réseau AS Interface OFF: Connexion au réseau AS Interface	—	✓
N02* ¹	ON: L'éclairage de fond de l'écran est sur "OFF". OFF: L'éclairage de fond est contrôlé par le réglage "Durée éclairage" du menu.	✓	✓
N03* ¹	ON: L'éclairage de fond de l'écran est sur "ON". OFF: L'éclairage de fond est contrôlé par le réglage "Durée éclairage" du menu.	✓	✓
N04	ON: L'affichage est contrôlé par le "Gestionnaire affichage" de AL-PCS/WIN-E. OFF: L'affichage est contrôlé par le programme utilisateur.	✓	✓

*1 Si N02 et N03 sont sur ON, l'éclairage de fond est sur "ON" car N03 est prioritaire.

14.3 Listes des blocs fonctions

Vous trouverez de plus amples informations dans le manuel de programmation du contrôleur $\alpha 2$.

Tableau 14.4: Listes des blocs fonctions

Bloc fonction		Besoins en mémoire (octet)	Description	AL2-10MR-*	AL2-14MR- AL2-24MR-*
Nom	Symbole				
ET	AND	19	Sortie ON si toutes les entrées sont ON, entrées non utilisées sont considérées ON	✓	✓
OU	OR	19	Sortie ON si au moins une entrée est ON, entrées non utilisées sont considérées OFF	✓	✓
NON NOT	NOT	10	Inverse un signal; Change un OFF en un ON et vice-versa	✓	✓
OU Exclusif	XOR	13	OU Exclusif; Sortie ON si seulement l'une des deux entrées est ON	✓	✓
NON-ET	NAND	19	Non ET; Sortie OFF seulement si toutes les entrées sont ON, entrées non utilisées sont considérées ON	✓	✓
NON-OU	NOR	19	Non OU; Sortie OFF si au moins une entrée est ON, entrées non utilisées considérées OFF	✓	✓
Opérande booléen	BL	*1	Équation logique utilisant ET, OU, OU-Exclusif, NON	✓	✓
Set/Reset (mise à un/mise à zéro)	SR	14	Enclenche un relais en position SET ou RESET, indique la priorité Set ou Reset	✓	✓
Impulsions	PL	10	Envoie une impulsion sur un flanc montant, descendant ou les deux flancs	✓	✓
Alterner	AL	13	Sortie alterne la mise ON ou OFF avec chaque impulsion d'entrée	✓	✓
Retard	DL	19	Retarde un signal sur un flanc montant, descendant ou sur les deux flancs	✓	✓
Impulsion unique	OS	17	Envoie une impulsion unique; Basé sur le temps ou le signal d'entrée, broche reset disponible	✓	✓
Scintillation	FL	19	Envoie un train d'impulsions; durée ON/ OFF, répétitions, opération intermittente ou continue	✓	✓
Interrupteur horaire	TS	*2	Utilise le RTC pour mettre la sortie ON/OFF; gestion calendaire ou hebdomadaire	✓	✓

FRE

Tableau 14.4: Listes des blocs fonctions

Bloc fonction		Besoins en mémoire (octet)	Description	AL2-10MR-*	AL2-14MR- AL2-24MR-*
Nom	Symbole				
Maintenance Interrupteur horaire	TSm	*2	Utilise le RTC pour mettre la sortie ON/OFF; gestion calendaire ou hebdomadaire. Le bloc de fonction peut être configuré dans le menu principal "paramètres" en utilisant les touches du pupitre de commande.	✓	✓
Compteur	CN	16	Compte en montant les impulsions, peut mettre un signal à zéro	✓	✓
Compteur montant/descendant	UD	22	Compte en montant ou descendant, définit une valeur préréglée pour commuter la sortie sur ON	✓	✓
Comparaison	CP	17	Compare deux valeurs avec <, >, =, <=, >=, <> (valeurs analogiques, fixées directement ou FB)	✓	✓
Gain offset	OG	22	Manipule des valeurs analogiques $y = A/B * x + C$; Définit les valeurs limites hautes et basses	✓	✓
Affichage	DP	*3	Affiche les données utilisateur (message ou données) sur l'affichage à cristaux liquides	✓	✓
Comparaison plage	ZC	20	Compare une valeur avec une plage de valeurs (Valeurs analogiques, fixées directement ou FB)	✓	✓
Trigger de Schmitt	ST	19	Met une entrée sur ON à la valeur haute et sur OFF à la valeur basse (ou vice-versa)	✓	✓
Compteur horaire	HM	19	Enregistre le temps accumulé où un signal était sur ON	✓	✓
Détection vitesse	SPD	25	La fréquence du signal d'entrée (On/Off) est mesurée pour une durée fixée. La fréquence est comparée à une plage de valeur et la sortie est mise ON/OFF selon le résultat.	✓	✓
Modulation d'impulsions en largeur	PWM	16	Un train d'impulsions continu est sorti lorsque ce bloc fonction est activé. Les caractéristiques de l'impulsion sont définies comme; grandeurs de l'impulsion (valeurs fixées directement, analogiques, FB), temps de cycle.	✓	✓

Tableau 14.4: Listes des blocs fonctions

Bloc fonction		Besoins en mémoire (octet)	Description	AL2-10MR-*	AL2-14MR- AL2-24MR-*
Nom	Symbole				
Alternance permanente	RAL	13	Sortie alterne entre ON et OFF avec chaque impulsion d'entrée. Le dernier état de la sortie est conservé lorsque l'alimentation déconnectée et est à nouveau présent lors de la remise sous tension. Toutefois, le dernier état de la sortie est perdu lorsque le contrôleur $\alpha 2$ est placé en mode Stop.	✓	✓
Addition	ADD	20	$y = A + B$	✓	✓
Soustraction	SUB	20	$y = A - B$	✓	✓
Multiplication	MUL	20	$y = A \times B$	✓	✓
Division	DIV	20	$A \div B = q, r$ (quotient et reste)	✓	✓
Calcul	CAL	*4	Équation utilisant +, -, \times , \div , % et les données sélectionnées.	✓	✓
Décalage	SFT	19	Opération de décalage; Lorsque le signal "SFT" est entré, le dernier état du signal "I" est sorti. Lors de l'utilisation de l'opération de décalage 8 bits, le bloc fonction "Décalage" doit être poursuivi 8 fois.	✓	✓
GSM SMS	SMS	*5	Le contenu de l'écran à cristaux liquides est envoyé comme message SMS.	—	✓
Réception d'un texto	SMR	*7	Modification d'une sortie par un texto	—	✓
Maintenance Réception d'un texto	SMRm	*7	Modification d'une sortie par un texto Le bloc de fonction peut être configuré dans le menu principal "paramètres" en utilisant les touches du pupitre de commande.	—	✓
Identification d'appel	CD	30	Identification d'appel par la fonction CLIP (Calling Line Identification Presentation)	—	✓
Maintenance Identification d'appel	CDm	30	Identification d'appel par la fonction CLIP (Calling Line Identification Presentation) Le bloc de fonction peut être configuré dans le menu principal "paramètres" en utilisant les touches du pupitre de commande.	—	✓

FRE

Tableau 14.4: Listes des blocs fonctions

Bloc fonction		Besoins en mémoire (octet)	Description	AL2-10MR-*	AL2-14MR- AL2-24MR-*
Nom	Symbole				
Impulsion aléatoire	ROS	19	Une impulsion unique de longueur aléatoire est envoyée.	✓	✓
Impulsion retardée	DOS	20	Après un retard, une impulsion unique est envoyée.	✓	✓
Alternance retardée	DAL	16	Après un retard, la sortie alterne la mise ON ou OFF avec chaque impulsion d'entrée	✓	✓
Set/Reset (mise à un/mise à zéro) permanente	RSR	14	Enclenche un relais en position SET ou RESET, indique la priorité Set ou Reset. Le dernier état de la sortie est conservé lorsque l'alimentation déconnectée et est à nouveau présent lors de la remise sous tension. Toutefois, le dernier état de la sortie est perdu lorsque le contrôleur $\alpha 2$ est placé en mode Stop.	✓	✓
Régulation PID	PID	52	Le bloc de fonction PID est la mise en application $\alpha 2$ de PID, une méthode de contrôle utilisée pour obtenir un contrôle stable sur un système variable. Il est doté d'une fonction d'accord automatique, qui ajuste automatiquement les paramètres du bloc de fonction pour l'application spécifique.	✓	✓
Sortie analogique	AO	17	La fonction de sortie analogique prend une entrée numérique et fournit la tension ou le courant analogique correspondant au canal sélectionné sur le module AL2-2DA.	✓	✓
Moniteur de contrôle	CDP	*6	Contrôle quel affichage apparaît sur l'écran. Ce bloc fonction peut être choisi seulement dans le logiciel AL-PCS/WIN-E. Si le bit de contrôle N04 est ON, il est possible de contrôler l'écran affiché.	✓	✓

Tableau 14.4: Listes des blocs fonctions

Bloc fonction		Besoins en mémoire (octet)	Description	AL2-10MR-*	AL2-14MR- AL2-24MR-*
Nom	Symbole				
Connecter	_B	10	Ce bloc fonction CONNECTER est un FB interne utilisé pour montrer la mémoire utilisée par les bits systèmes, les bits pour l'interface AS, et les touches de fonction. Aucun bloc fonction n'apparaît sur l'écran ou est affiché comme étant utilisé dans la boîte de dialogue "Configuration utilisation mémoire", le but est seulement de calculer la mémoire qui a été utilisée par les bits indiqués ci-dessus.	✓	✓
Sorties système	Out	10	Contrôle opérandes externes via relais et transistors.	✓	✓

*1 Nombre d'octets utilisés = 19 + 1 × (caractères dans l'équation)

*2 Nombre d'octets utilisés = 8 + 4 × (nombre d'interrupteurs horaires)

*3 Nombre d'octets utilisés est déterminé par les caractères affichés.

Tableau 14.5: Élément affiché et nombre d'octets utilisés

Élément affiché		Nombre d'octets, contrôleurs α2
Caractères		16 + 1 × (par caractère affiché)
Valeur analogique, FB	Valeur	17
	Graphique	23
Heure, Date		14
Interrupteur horaire		17

*4 Nombre d'octets utilisés = 30 + 1 × (caractères dans l'équation)

*5 Nombre d'octets utilisés = 12 + 1 × (caractères dans l'adresse d'e-mail)

*6 Nombre d'octets utilisés = 32 + 3 × (nombre d'écrans)

*7 Nombre d'octets utilisés = 37 + (nombre de caractères de la commande de configuration)

FRE

MEMO

15. Diagnostics



Attention

- Ne pas toucher aux connexions tant que l'appareil est sous tension. Cela pourrait provoquer une défaillance de l'équipement ou une décharge électrique.



Attention

- Puissance nominale correcte de l'alimentation.
Si une alimentation avec des valeurs différentes de celles indiquées est utilisée, l'appareil peut être endommagé ou provoquer un incendie.
- Connectez "L (Live)" de l'alimentation à "borne L" de l'unité principale, et connectez "N (neutre)" à "borne N" de l'unité principale correctement lors du câblage de l'alimentation CA.
Un câblage incorrect peut provoquer une décharge électrique, un endommagement du contrôleur ou un incendie.
- Connectez le câble "L (Live)" de l'alimentation avec la borne de l'entrée de l'unité CA.
- Connectez le "+" de l'alimentation à la borne "+" de l'unité principale, et connectez le "-" de l'alimentation à la borne "-" lors du câblage de l'unité CC.
Un câblage incorrect peut provoquer une décharge électrique, un endommagement du contrôleur ou un incendie.

FRE



Remarques sur l'utilisation

- Le contrôleur $\alpha 2$ ne doit être utilisé qu'avec une cassette mémoire implantée, le câble de communication monté ou le couvercle du port monté. Une connexion restée libre peut provoquer des endommagements du contrôleur $\alpha 2$ ou une décharge électrique.
- Utiliser la carte d'extension ou le couvercle du port tant que l'alimentation est amenée au contrôleur $\alpha 2$.
Une installation impropre de l'équipement peut provoquer un endommagement du contrôleur ou une décharge électrique.

15.1 Erreur de l'état de l'entrée

Mettez le contrôleur $\alpha 2$ dans le mode Stop. Mettez en marche l'alimentation de l'équipement connecté aux bornes d'entrée et vérifiez si l'état de l'entrée est affiché correctement. Si ce n'est pas affiché correctement, vérifiez les points suivants.
Vous trouverez de plus amples informations sur l'affichage d'état dans le manuel de programmation $\alpha 2$.



Remarques sur l'utilisation

Ne connectez pas un câble avec une terminaison brasée sur les bornes de raccordement du contrôleur $\alpha 2$.
Cela provoque un mauvais contact et le câble peut se détacher.

- 1) Vérifiez le câblage de l'alimentation et des entrées.

- 2) Vérifiez si l'équipement utilisé pour les entrées correspond aux spécifications indiquées dans le paragraphe 2.3 de ce manuel.

15.2 Erreur de l'état de la sortie

Mettez le contrôleur $\alpha 2$ dans le mode Stop. Déconnectez les sorties ON/OFF vérifiez leur fonctionnement. Vérifiez que le programme soit écrit pour réaliser les résultats désirés. Vous trouverez de plus amples informations sur le fonctionnement ON/OFF dans le manuel de programmation $\alpha 2$.



Remarques sur l'utilisation

Réalisez toutes les opérations ON/OFF forcées seulement après avoir vérifié que vous pouvez le faire en toute sécurité. Un endommagement de la machine ou du contrôleur ou un problème de sécurité peut survenir si le ON/OFF forcé est réalisé improprement. Si des précautions appropriées n'ont pas été prises, un endommagement de l'équipement ou de la machine peut se produire.

- 1) Vérifiez le câblage de l'alimentation et des sorties.
- 2) Vérifiez si l'équipement utilisé pour les sorties correspond aux spécifications indiquées dans le paragraphe 4.4 de ce manuel.

15.3 Menu principal n'est pas affiché

La touche menu doit être actionnée pour accéder au menu principal. Appuyez sur les touches "OK" et "ESC" en même temps. Si vous ne pouvez pas accéder au menu principal, utilisez soit le logiciel de programmation ou l'arrêt forcé pour passer en mode Stop.

Il n'est pas possible d'accéder au menu principal avec le clavier. Toutefois, si lors de la mise en marche de l'alimentation vous appuyez simultanément sur les touches "OK + ESC", le menu principal apparaît.



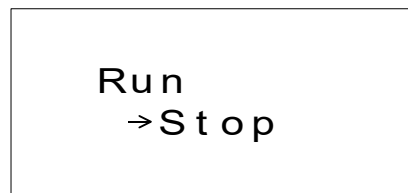
Attention

Réalisez l'opération d'arrêt forcé seulement après avoir vérifié que cela peut être réalisé en toute sécurité. Un endommagement de la machine ou du contrôleur ou un problème de sécurité peut survenir si le ON/OFF forcé est réalisé improprement. Si des précautions appropriées n'ont pas été prises, un endommagement de l'équipement ou de la machine peut se produire.

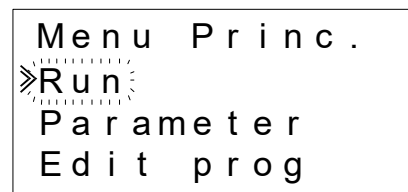
Opération d'arrêt forcé

- 1) Mettez le contrôleur $\alpha 2$ hors tension.
- 2) Réenclenchez la tension tout en appuyant simultanément sur les touches "OK" et "ESC".
L'écran indiqué à droite est affiché.

L'option pour mettre le contrôleur en mode Stop sera disponible pour environ cinq secondes. Appuyer sur la touche "OK" pour accéder au mode Stop. Si aucune touche n'est enfoncée, le contrôleur retournera par défaut dans le mode Run.



- 3) Appuyez sur la touche "ESC".
Le menu principal indiqué à droite est affiché.



FRE

15.4 Passage dans le mode Run impossible

Si le contrôleur $\alpha 2$ ne commute pas dans le mode Run, vérifiez ce qui suit.

- 1) Le message "ErreurEntrée" ou "ErreurSortie" est affiché sur l'écran.
Le programme compris dans la cassette mémoire possède plus d'entrées et/ou sorties qu'autorisées par le contrôleur.
 - a) Lors de la réalisation du programme avec le logiciel de programmation.
Le contenu du programme et le modèle sont vérifiés avec le logiciel de programmation.
Écrivez le programme dans le contrôleur $\alpha 2$ et n'utilisez aucune cassette mémoire.
 - b) Lors de la réalisation du programme avec les touches du panneau avant du contrôleur.
Retirez la cassette mémoire, et réalisez à nouveau le programme.
 - c) Installez la cassette mémoire dans le contrôleur $\alpha 2$ avec 24 entrées/sorties.
 - d) Écrivez le programme avec un contrôleur $\alpha 2$ du même type dans laquelle le programme sera utilisé.
- 2) Les données du programme sont erronées.
Si le programme ne peut pas être affiché avec le sous-menu "Editer" du menu principal, il est possible que les données du programme sont endommagées. Commutez du menu principal dans le mode Run après avoir effacé le programme.
 - a) Réécrivez le programme et commutez en mode Run.
 - b) Consultez un distributeur Mitsubishi s'il n'est toujours pas possible de commuter en mode Run.

15.5 Donnée d'horloge incorrecte

Vérifiez le point suivant.

- 1) La donnée temps est perdue.
Si environ 20 jours ou plus (25°C) se sont écoulés depuis la mise hors tension du contrôleur $\alpha 2$, la donnée temps est perdue. Dans ce cas, la donnée temps doit être à nouveau saisie. Vous trouverez de plus amples informations sur le réglage de la donnée temps dans le manuel de programmation $\alpha 2$.
- 2) Des divergences de la donnée temps sont constatées.
La précision de la donnée temps est de ± 5 secondes par jour. Utilisez la fonction de correction du temps lorsque l'erreur de la donnée temps augmente. Vous trouverez de plus amples informations sur la fonction de correction de la donnée temps dans le manuel de programmation $\alpha 2$.

15.6 Le "?" apparaît sur l'écran

Le signe "?" est affiché lorsqu'une touche irrecevable par rapport à l'affichage est enfoncée. Réalisez le choix recevable et appuyez sur la touche appropriée.



15.7 Les touches de fonction ne peuvent pas être utilisées

Lorsque le contrôleur $\alpha 2$ n'accepte pas une touche de fonction, vérifiez le fonctionnement des touches de fonction selon les procédures suivantes. Si les étapes représentées dans les instructions (1) - (5) ci-dessous peuvent être réalisées, les touches fonctionnent correctement. Veuillez vérifier si la(les) touche(s) sont utilisées dans le programme.

- 1) Mettez le contrôleur dans le mode Stop. Consultez un distributeur Mitsubishi s'il n'est pas possible d'entrer dans le mode Stop.



Attention

Réaliser l'opération d'arrêt forcé seulement après avoir vérifié que cela peut être réalisé en toute sécurité. Un endommagement de la machine ou du contrôleur ou un problème de sécurité peut survenir si le ON/OFF forcé est réalisé improprement. Si des précautions appropriées n'ont pas été prises, un endommagement de l'équipement ou de la machine peut se produire.

Opération d'arrêt forcé

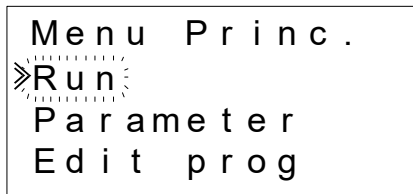
- a) Mettez le contrôleur α2 hors tension.
- b) Réenclenchez la tension tout en appuyant simultanément sur les touches "OK" et "ESC" en même temps.

L'écran indiqué à droite est affiché pendant 5 secondes.

L'option pour mettre le contrôleur en mode Stop sera disponible pour environ cinq secondes. Appuyer sur la touche "OK" pour accéder au mode Stop. Si aucune touche n'est enfoncée, le contrôleur retournera par défaut dans le mode Run.

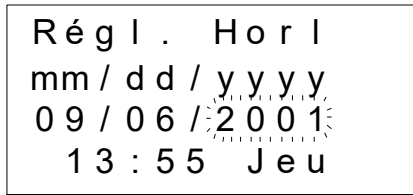


- c) Appuyer sur la touche "ESC".
Le menu principal indiqué à droite est affiché.



FRE

- 2) Faites défiler le menu principal avec la touche "▲" ou la touche "▼".
Consultez un distributeur Mitsubishi si vous ne pouvez pas réaliser un défilement à l'écran.
- 3) Déplacez le curseur sur "Régl.Horl" avec la touche "▲" ou la touche "▼", et appuyer deux fois sur la touche "OK".
L'écran "Réglage horloge" indiqué à droite est affiché.
Consultez un distributeur Mitsubishi s'il n'est pas affiché.



- 4) Essayez de modifier le mois/l'année en utilisant les touches "◀", "▶", "+" et "-".
Consultez un distributeur Mitsubishi si l'édition n'est pas possible.
- 5) Appuyer sur la touche "ESC".
L'écran indiqué à droite est affiché et l'opération de (4) est invalidée.
Consultez un distributeur Mitsubishi si le bon écran n'est pas affiché.



15.8 Affichage à cristaux liquides incorrect

Vérifiez les points suivants.

- 1) Le caractère est affiché inversé et l'écran complet est noir.
Consultez un distributeur Mitsubishi si l'erreur du dessus apparaît. L'affichage du contrôleur $\alpha 2$ a été endommagé.
- 2) L'affichage apparaît erroné.
Si l'affichage n'apparaît pas comme attendu, veuillez vérifier les points suivants dans le programme.
 - a) Vérifiez les positions où chaque fonction d'affichage débute. Deux affichages séparés peuvent avoir une zone d'affichage de chevauchement provoquant le résultat indésiré.
 - b) Les caractères ne sont pas affichés
 - Vérifiez si l'entrée du bloc fonction d'affichage est sur On.
 - Vérifiez s'il y a un conflit avec un autre affichage.

15.9 Cassette mémoire ne fonctionne pas correctement

Vérifiez les points suivants si la cassette mémoire n'est pas reconnue ou si les fonctions de transfert de cassette ne fonctionnent pas.



Remarques sur l'utilisation

- Utilisez la cassette mémoire, la câble de communication ou le couvercle du port tant que l'alimentation est amenée au contrôleur $\alpha 2$.
Une installation impropre de l'équipement peut provoquer un endommagement du contrôleur ou une décharge électrique.
- 1) La cassette mémoire doit être installée correctement, se référer au chapitre 6.1 pour la procédure correcte d'installation.
 - 2) Le message "Erreur ProtectSW" est affiché.
La protection de donnée (ProtectSW) est mise.
Se référer au manuel de programmation $\alpha 2$ pour la procédure de déverrouillage de ce réglage.
 - 3) Le message "Erreur mot de passe" est affiché.
La protection par mot de passe est activée. Essayez à nouveau après avoir désactivé le mot de passe.
Se référer au manuel de programmation $\alpha 2$ pour la procédure de désactivation du mot de passe.

L'option "EffProg" peut effacer le mot de passe, ainsi que le programme et tous les réglages du menu principal. Le contrôleur retournera aux réglages par défaut réalisés en usine.

Se référer au manuel de programmation $\alpha 2$ pour la procédure d'utilisation de la fonction "EffProg".

15.10 La communication avec le module maître de l'interface AS est perturbée

Vérifiez les points suivants.



Remarques sur l'utilisation

- Utiliser la carte d'extension ou le couvercle du port tant que l'alimentation est amenée au contrôleur $\alpha 2$.
Une installation impropre de l'équipement peut provoquer un endommagement du contrôleur ou une décharge électrique.
- 1) Vérifiez si l'alimentation de l'interface AS est appropriée.
 - 2) Vérifiez si le bit de contrôle N1 est sur Off. Utilisez l'une des deux méthodes ci-dessous pour modifier son état si nécessaire.
 - a) Lorsque le bit de contrôle n'est pas utilisé dans le programme
Forcé l'état sur Off, se référer au manuel de programmation $\alpha 2$ pour la procédure de mise forcée sur On/Off
 - b) Lorsque le bit de contrôle est utilisé par le programme
Modifiez le programme ou manipuler les entrées de telle sorte que le bit de contrôle N1 soit sur 0.
 - 3) Vérifiez que l'adresse de l'esclave soit correcte.
Corrigez l'adresse de l'esclave avec le module maître de l'interface AS.
Se référer au manuel du chapitre 9.4.1 et du module maître de l'interface AS pour la méthode de réglage de l'adresse.
 - a) Un conflit d'adresse entre un autre esclave et l'AL2-ASI-BD est présent.
Corrigez l'adresse de telle sorte qu'il n'y ait pas de conflit.
 - b) L'adresse de l'esclave est 0.
Utilisez une adresse de l'esclave valide pour le module de l'interface AS.
 - 4) AL2-ASI-BD n'est pas défini sur le module maître comme un esclave actif .
Vérifiez le réglage du module maître.
Se référer au manuel du module maître de l'interface AS pour la méthode de confirmation.

FRE

15.11 La communication avec AL-PCS/WIN-E est perturbée

Vérifiez les points suivants.



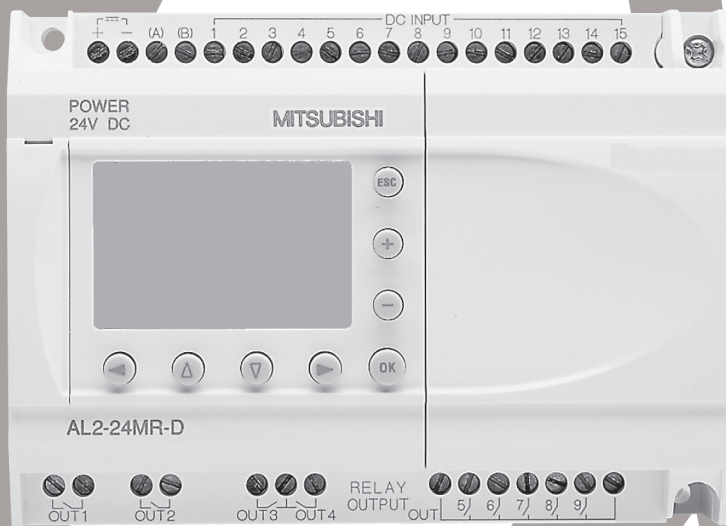
Remarques sur l'utilisation

Utilisez la cassette mémoire, la câble de communication ou le couvercle du port lorsque l'installation est sans erreur.

Cela provoque une décharge électrique et l'arrêt de marche.

- 1) Vérifiez la connexion du câble (AL-232CAB).
Se référer au chapitre 7.2 pour la méthode de connexion.
- 2) Vérifiez l'alimentation amenée au contrôleur $\alpha 2$.
Vérifiez le câblage et les raccordements de l'alimentation.
Se référer au chapitre 2.2 pour les spécifications de l'alimentation.
- 3) Vérifier si le réglage de l'interface COM de l'ordinateur sur laquelle le câble (AL-232CAB) a été raccordé, concorde avec le réglage du "port de communication" dans le logiciel de programmation. Si ce n'est pas le cas, ajustez les.
- 4) Lors de l'utilisation d'un modem
 - a) Vérifiez si le modem est reconnu par le contrôleur $\alpha 2$.
Se référer au manuel de programmation $\alpha 2$ et au chapitre 7.3 pour le réglage du modem connecté du côté des contrôleurs $\alpha 2$.
 - b) Vérifiez le raccordement du câble.
Pour la connexion du câble, se référer au chapitre 7.3.2.
 - c) Vérifiez les réglages du modem dans les pages du logiciel de programmation.
Vérifiez si les routines d'installation et le réglage du modem ont été réalisés correctement.

SIMPLE APPLICATION CONTROLLER



ITL

Sistema $\alpha 2$
MANUALE HARDWARE

Introduzione

- Questo manuale contiene testi, diagrammi e spiegazioni che guidano il lettore nella programmazione e nell'operazione corretta del Controllore Serie $\alpha/\alpha 2$.
- Prima di iniziare ad installare o ad usare il Controllore Serie $\alpha/\alpha 2$ si deve leggere e comprendere questo manuale.
- In caso di dubbi in qualsiasi fase dell'installazione del Controllore Serie $\alpha/\alpha 2$ consultare sempre un ingegnere elettrotecnico qualificato, autorizzato e istruito sulle norme locali e nazionali valide sul luogo d'installazione.
- In caso di dubbi relativi all'operazione o all'uso del Controllore Serie $\alpha/\alpha 2$ si prega di consultare il distributore Mitsubishi Electric più vicino.
- Se l'apparecchiatura viene utilizzata in un modo non specificato dal produttore, la protezione fornita dall'apparecchio potrebbe essere compromessa.
- In nessun caso Mitsubishi Electric risponderà o sarà responsabile di qualsiasi danno conseguente che possa verificarsi come risultato dell'installazione o dell'uso di questo apparecchio.
- Tutti gli esempi e i diagrammi presentati in questo manuale solo sono intesi come aiuto per comprendere il testo, non per garantire l'operazione. Mitsubishi Electric non si assumerà alcuna responsabilità per l'uso effettivo del prodotto, basato su questi esempi illustrativi.
- Questo prodotto è stato fabbricato come elemento a uso generale in settori generici e non è stato progettato o fabbricato per essere incorporato in un dispositivo o sistema utilizzato per scopi correlati alla vita umana.
- Si prega di contattare un distributore Mitsubishi Electric per ulteriori informazioni sulle applicazioni in situazioni life-critical o in cui sia necessaria un'elevata affidabilità.
- Quando si smaltisce questo prodotto, trattarlo come un rifiuto industriale.
- Questo manuale è soggetto a modifiche senza preavviso.

Questo manuale non conferisce né diritti di proprietà industriale o diritti di altro tipo, né conferisce licenze di brevetti. Mitsubishi Electric Corporation non può essere ritenuta responsabile di nessun problema inerente a diritti di proprietà industriale che possa insorgere come risultato dell'utilizzo dei contenuti riportati in questo manuale.

Sistema $\alpha 2$

Manuale Hardware

ITL

Numero:	JY992D97301
Revisione:	P
Data:	8/2023

Direttive di sicurezza per l'utente e misure di sicurezza per il sistema α

Questo manuale fornisce informazioni per l'uso dei Controllori della famiglia $\alpha 2$.

Il manuale è destinato a personale addestrato e competente.

Per la qualifica del personale viene considerata la seguente definizione:

- a) Ogni tecnico responsabile della pianificazione, progettazione e costruzione di impianti di automazione che impiega il prodotto descritto nel presente manuale dovrebbe avere conoscenze adeguate in merito. L'addestramento e la qualifica dovrebbe includere anche il settore delle normative locali e nazionali. Il tecnico dovrebbe possedere conoscenze complete sugli aspetti della sicurezza nel settore dell'automazione.
- b) Ogni tecnico addetto alla messa in funzione o all'assistenza deve dimostrare conoscenze nell'ambito delle normative locali e nazionali per garantire la sicura esecuzione delle fasi operative. Il tecnico dovrebbe essere istruito anche nell'impiego e nella manutenzione delle singole unità del prodotto. Ciò riguarda l'intera famiglia di prodotti con tutta la relativa documentazione. Tutti i lavori di manutenzione dovrebbero essere eseguiti in conformità alle direttive di sicurezza in vigore.
- c) Tutti gli operatori che usano il prodotto dovrebbero essere addestrati nell'impiego sicuro dell'apparecchio nel rispetto delle normative di sicurezza in vigore. L'operatore dovrebbe familiarizzarsi anche con la documentazione delle altre parti dell'impianto.

Nota: Con il termine "altre parti dell'impianto" si intendono tutte le altre apparecchiature dell'impianto di automazione inerenti al prodotto e alle relative informazioni contenute nel manuale.

Per la pulizia, eseguire a secco senza usare prodotti chimici.

Nota sui simboli impiegati nel manuale

Nel presente manuale vengono impiegati diversi simboli per evidenziare determinate informazioni. I simboli dovrebbero illustrare al personale addetto gli avvisi relativi riguardanti la sicurezza e le misure di sicurezza. Ogni volta che si riscontra un simbolo si dovrebbe leggere attentamente la relativa nota e osservare attentamente le informazioni ivi contenute. Elenchiamo di seguito tutti i simboli con una breve descrizione del loro significato.

Avvertimenti hardware



1) Indica un pericolo imminente che causa danni alle persone o agli oggetti.



2) Indica un pericolo che potrebbe causare danni alle persone o agli oggetti.



3) Indica un punto contenente avvertimenti o ulteriori illustrazioni.

Avvertimenti software



4) Indica uno speciale avvertimento da osservare in ogni caso nella programmazione.



5) Indica un punto particolare di cui l'operatore dovrebbe tenere conto nell'impiego.



6) Indica un punto contenente ulteriori avvertimenti o spiegazioni supplementari.

- La MITSUBISHI ELECTRIC non si assume alcuna responsabilità per danni causati da un'installazione o un funzionamento inadeguato degli apparecchi o degli accessori.
- Tutti gli esempi e le figure riportati nel presente manuale intendono solo aiutare a comprenderne il contenuto. Non possiamo assumerci alcuna responsabilità per la correttezza delle operazioni illustrate. La MITSUBISHI ELECTRIC non si assume alcuna responsabilità per un impiego del prodotto utilizzando gli esempi riportati.
- In caso di applicazioni , con le quali possono verificarsi condizioni pericolose per l'incolumità e la vita, o che richiedono una elevata disponibilità, rivolgersi per favore alla filiale Mitsubishi Electric competente.

Ulteriori elenchi di manuali informativi

	Titolo del manuale	Manuale n°	Descrizione
⊙	$\alpha 2$ manuale dell'hardware (Questo manuale)	JY992D97301	Questo manuale contiene spiegazioni dell'hardware e specifiche per il controllore della serie $\alpha 2$
⊙	$\alpha 2$ manuale di programmazione <Solo in lingua Inglese>	JY992D97101	Questo manuale contiene le istruzioni operative per il controllore della serie $\alpha 2$.
○	α manuale di software <Solo in lingua Inglese>	JY992D74001	Questo manuale contiene spiegazioni di funzionamento del software di programmazione AL-PCS/WIN-E
○	manuale dell'utente per comunicazioni di serie $\alpha 2$ <Solo in lingua Inglese>	JY992D97701	Questo manuale contiene spiegazioni per il setup, la spedizione di messaggi, la diagnostica, l'assegnazione di bit, ecc., per le comunicazioni, con l'uso per il controllore della serie $\alpha 2$
□	Manuale di installazione serie $\alpha 2$	JY992D97501	Questo manuale contiene spiegazioni dell'hardware per l'installazione per il controllore della serie $\alpha 2$
□	AL2-4EX, AL2-4EX-A2, AL2-4EYR, AL2-4EYT manuale di installazione	JY992D97401	Questo manuale contiene spiegazioni di hardware per l'installazione di moduli di estensione AL2-4EX, AL2-4EX-A2, AL2-4EYR e AL2-4EYT
□	AL2-EEPROM-2 manuale di hardware	JY992D96801	Questo manuale contiene spiegazioni di hardware per l'installazione di AL2-EEPROM-2
□	AL2-2DA Istruzioni per l'installazione	JY997D09301	Questo manuale descrive hardware e installazione dello AL2-2DA.
□	AL2-2PT-ADP Istruzioni per l'installazione	JY997D09401	Questo manuale descrive hardware e installazione dello AL2-2PT-ADP.
□	AL2-2TC-ADP Istruzioni per l'installazione	JY997D09501	Questo manuale descrive hardware e installazione dello AL2-2TC-ADP.
□	AL-232CAB manuale di hardware	JY992D76001	Questo manuale contiene spiegazioni di hardware per l'installazione di AL2-GSM-CAB
□	AL2-GSM-CAB	JY992D97201	Questo manuale contiene hardware e installazione dello AL2-GSM-CAB.
□	AL-ASI-BD, AL2-ASI-BD manuale di hardware	JY992D81402	Questo manuale contiene spiegazioni di cablaggio, installazione e specifiche , ecc. per AL-ASI-BD e AL2-ASI-BD

- ⊙ Riferirsi a questi manuali.
- Riferirsi a questo manuale, se necessario.
- Riferirsi al contenuto di questi manuali se necessario, sebbene ciò sia compreso nel manuale del controllore $\alpha 2$.

Abbreviazioni

In questo manuale si usano le seguenti abbreviazioni:

- Il software di programmazione AL-PCS/WIN-E viene definito o con Software VLS o con "software di programmazione".
- Per il comando $\alpha 2$ di usano i termini " $\alpha 2$ -serie", " $\alpha 2$ -comando" o "apparecchio base".
- I blocchi di funzionamento vengono abbreviati con "FB".
- „FBD“ è l'abbreviazione di diagramma blocco di funzionamento
- Ingressi ed uscite vengono abbreviati con "I/U".
- Un Personal Computer viene definito come "PC".
- "Windows" è la definizione generale dei sistemi operativi Microsoft Microsoft Windows[®], Windows[®] 95, Windows[®] 98, Windows[®] Me, WindowsNT[®] Workstation 4.0, Windows[®] 2000, Windows[®] XP ed Windows Vista[®].

Uso di marchi registrati e marchi

- Microsoft Windows[®], Windows[®] 95, Windows[®] 98, Windows[®] Me, WindowsNT[®] Workstation 4.0, Windows[®] 2000, Windows[®] XP ed Windows Vista[®] sono marchi registrati o marchi della Microsoft Corporation negli Stati Uniti d'America e/o altri paesi.
- Le ditte ed i nomi dei prodotti che vengono nominati in questo manuale, sono marchi registrati o marchi delle rispettive ditte.

Indice

Direttive di sicurezza	ITL-iii
1. Introduzione	ITL-1
1.1 Le speciali caratteristiche del sistema $\alpha 2$ sono:.....	ITL-2
1.2 Modelli disponibili	ITL-3
1.3 Misure e nome delle singole parti	ITL-4
1.4 Configurazione del sistema	ITL-7
1.5 Elenco delle versioni.....	ITL-8
1.6 Software di programmazione utilizzabile	ITL-8
2. Specifiche	ITL-9
2.1 Alimentazione di potenza	ITL-9
2.2 Ingressi	ITL-10
2.3 Uscite.....	ITL-12
2.4 Specifica generale	ITL-13
3. Installazione	ITL-15
3.1 Osservazioni sull'installazione	ITL-15
3.2 BARRA DIN Montaggio dell'unità principale	ITL-16
3.2.1 Installazione	ITL-16
3.2.2 Smontaggio	ITL-16
3.3 Montaggio diretto dell'unità principale.....	ITL-17
3.4 Installare il modulo di estensione (AL2-14MR-*,AL2-24MR-*).....	ITL-18
4. Allacciamento elettrico	ITL-19
4.1 Note sul cablaggio di installazione	ITL-19
4.2 Dimensione del filo	ITL-20
4.3 Tensione di alimentazione.....	ITL-21
4.4 AC Circuito di alimentazione di corrente ed input.....	ITL-22
4.4.1 AC Circuito di alimentazione di corrente ed input.....	ITL-22
4.4.2 AL2-4EX-A2 Circuito di input.....	ITL-22
4.5 Circuito di alimentazione di corrente DC ed input	ITL-23
4.5.1 Diagramma circuito di alimentazione di corrente DC e fonte ("+" comune) di input.....	ITL-23
4.5.2 AL2-4EX Diagramma di fonte ("+" comune) di input	ITL-23
4.5.3 Diagramma alimentazione corrente DC e abbassamento ("- " comune) di input.....	ITL-24
4.5.4 AL2-4EX Diagramma circuito diminuzione ("- " comune) input	ITL-24
4.6 Circuito di uscita transistore e relè	ITL-25
4.6.1 Diagramma circuito di output del relé , unità principale (AC e/o DC)	ITL-25
4.6.2 Diagramma circuito di output del relé , AL2-4EYR (AC e/o DC)	ITL-26
4.6.3 Diagramma circuito output del transistore (fonte/ "+" solo comune) AL2-4EYT ...	ITL-27
5. Assegnazione dei morsetti	ITL-28
6. AL2-EEPROM-2	ITL-31
6.1 Installazione.....	ITL-32

7. AL-232CAB	ITL-33
7.1 Introduzione	ITL-33
7.1.1 Misure d'ingombro	ITL-33
7.2 Collegare al cavo AL-232CAB	ITL-34
8. AL2-GSM-CAB	ITL-37
8.1 Introduzione	ITL-37
8.1.1 Misure d'ingombro	ITL-37
8.1.2 Configurazione del sistema con l'uso di AL2-GSM-CAB	ITL-38
8.2 Installazione	ITL-39
8.3 Manutenzione remota con un modem	ITL-41
8.3.1 Modem consigliati	ITL-41
8.3.2 Cavo dritto RS-232C fra modem e AL2-GSM-CAB	ITL-41
8.3.3 Regolazione del modem	ITL-42
9. AL2-ASI-BD (AL2-14MR-*, AL2-24MR-*)	ITL-45
9.1 Introduzione	ITL-45
9.1.1 Dimensioni esterne	ITL-45
9.1.2 Configurazione del sistema	ITL-46
9.2 Specifiche Tecniche	ITL-46
9.3 Cablaggio e Installazione	ITL-47
9.3.1 Installazione	ITL-47
9.3.2 Allacciamento elettrico	ITL-48
9.4 Impostazione dell'indirizzo secondario e diagnosi	ITL-48
9.4.1 Impostazione dell'indirizzo secondario	ITL-48
9.4.2 Controlli di errore applicabili:	ITL-48
10. Orologio radio DCF77	ITL-49
10.1 Sommario	ITL-49
10.2 Configurazione del sistema	ITL-50
10.3 Dati tecnici	ITL-50
10.4 Collegamento	ITL-52
10.4.1 Cablaggio	ITL-52
10.4.2 Impostazione di DCF77 dal display $\alpha 2$	ITL-53
10.4.3 Avviamento automatico	ITL-54
10.4.4 Spegnimento automatico	ITL-54
10.4.5 Verifica dell'ora ricevuta	ITL-54
11. AL2-2DA (AL2-14MR-*, AL2-24MR-*)	ITL-55
11.1 Sommario	ITL-56
11.1.1 Dimensioni esterne	ITL-56
11.1.2 Configurazione del sistema	ITL-56
11.2 Dati tecnici	ITL-57
11.3 Installazione e cablaggio	ITL-58
11.3.1 Installazione	ITL-58
11.3.2 Cablaggio	ITL-59
11.3.3 Diagnosi degli errori	ITL-60

12.AL2-2PT-ADP	ITL-61
12.1 Sommario	ITL-62
12.1.1 Dimensioni esterne	ITL-62
12.2 Configurazione del sistema	ITL-62
12.3 Dati tecnici	ITL-63
12.4 Installazione e cablaggio	ITL-65
12.4.1 Installazione	ITL-65
12.4.2 Cablaggio	ITL-66
12.4.3 Scelta dell'unità di misura per la temperatura	ITL-67
12.4.4 Calibrare l'offset	ITL-68
12.4.5 Calibratura dell'amplificazione	ITL-69
12.4.6 Calibratura di precisione dell'offset	ITL-71
12.4.7 Diagnosi degli errori	ITL-72
13.AL2-2TC-ADP	ITL-73
13.1 Sommario	ITL-74
13.1.1 Dimensioni esterne	ITL-74
13.2 Configurazione del sistema	ITL-74
13.3 Dati tecnici	ITL-75
13.4 Installazione e cablaggio	ITL-77
13.4.1 Installazione	ITL-77
13.4.2 Cablaggio	ITL-78
13.4.3 Scelta dell'unità di misura per la temperatura	ITL-79
13.4.4 Calibrare l'offset	ITL-80
13.4.5 Calibratura dell'amplificazione	ITL-81
13.4.6 Calibratura di precisione dell'offset	ITL-83
13.4.7 Diagnosi degli errori	ITL-84
14.Elenchi dei tasti, dei bit del sistema e del blocco di funzione	ITL-85
14.1 Elenchi dei tasti	ITL-85
14.2 Elenco bit del sistema	ITL-86
14.2.1 Elenchi bit di sistema	ITL-86
14.2.2 Elenco bit di controllo	ITL-87
14.3 Elenchi blocchi di funzione	ITL-88
15.Diagnostica	ITL-92
15.1 Errore stato di input	ITL-93
15.2 Errore stato di output	ITL-93
15.3 TOP MENU non è visualizzato	ITL-94
15.4 Non si può attivare il modo "Run.	ITL-95
15.5 Dati orologio errati	ITL-95
15.6 Lo "?" appare sul display	ITL-95
15.7 Non si può usare un tasto operativo	ITL-96
15.8 Display LCD errato	ITL-97
15.9 La cassetta di memoria funziona male	ITL-98
15.10 Non si può comunicare con il modulo master dell'interfaccia AS	ITL-99
15.11 Non si può comunicare con AL-PCS/WIN-E	ITL-100

1. Introduzione

La serie $\alpha 2$ può essere facilmente utilizzata nei luoghi in cui è necessario il controllo per lo stabilimento. Il controllore emette il ciclo ON/OFF per controllare l'impianto elettrico secondo un programma di funzionamento realizzato a blocchi.

La spiegazione delle istruzioni e dell'operazione dell'unità principale si trova nel manuale di programmazione $\alpha 2$.

Una spiegazione del software di programmazione AL-PCS/WIN-E lo si trova nel manuale del software α Series.

Applicazioni

Il controllore $\alpha 2$ è progettato per essere usato in applicazioni automatiche, incluse quelle elencate in basso.

- Automazione di luci, aria condizionata, o sistemi di irrigazione
- Apertura e chiusura di cancelli
- Semplici sistemi di sicurezza
- Sistemi di distribuzione di cibo per animali domestici
- Controllo di recinti per bestiame e serre

In ogni caso, il controllore $\alpha 2$ non è previsto per essere usato nelle seguenti applicazioni. Per maggiori informazioni, mettersi in contatto con un rivenditore Mitsubishi.

- Applicazioni che richiedono elevata sicurezza, come controllo di energia nucleare, impianti ferroviari, aerei, veicoli, impianti di combustione e impianti medici.
- Applicazioni in situazioni critiche per la vita.

1.1 Le speciali caratteristiche del sistema $\alpha 2$ sono:

- 1) Visualizzazione in forma di messaggio su display e dati blocco di funzioni
Il controllore $\alpha 2$ può visualizzare lo stato del funzionamento e l'allarme sul display LCD, in forma di messaggio. Esso può visualizzare i seguenti contenuti, se si usa il blocco di funzione. Il valore dei temporizzatori visualizzati può essere modificato nel modo RUN.
 - caratteri totali sul display LCD: 12 caratteri, 4 linee
 - Item del display: messaggio, valore (corrente o impostato) di temporizzatore e contatore, valori analogici, ecc.
- 2) La programmazione nel PC è rapida e facile
Il software di programmazione AL-PCS/WIN-E per Windows può creare e memorizzare programmi.
La programmazione può essere fatta usando un metodo figurato in cui si usano linee per collegare blocchi di funzione su uno schermo di programmazione.
È possibile anche la programmazione diretta, usando i tasti $\alpha 2$ del pannello anteriore del controllore.
- 3) Figura LCD spedita via modem GSM
Se si usa la funzione di invio E-mail, il controllore $\alpha 2$ (modelli AL2-14MR-*, AL2-24MR-*) può inviare tramite modem GSM lo stato del controllore stesso. L'utente può monitorare lo stato di applicazione, avendo accesso al messaggio diagnostico spedito come E-mail via modem GSM.
- 4) Supporto del protocollo di comunicazione "Computer Link"
Il Controllore $\alpha 2$ (modelli AL2-14MR-*, AL2-24MR-*) supporta la comunicazione seriale con un PC. (tramite protocollo proprietario). L'applicativo software creato dall'utilizzatore permette di cambiare i dati programmati, i parametri dentro i blocchi funzione a fornire un monitoraggio dell'applicazione.
- 5) Ottimizzare la funzione orologio
La funzione di programmatore settimanale e di programmatore del calendario ha più interruttori che possono essere impostati e che garantiscono efficaci capacità di controllo in funzione del tempo.
- 6) Input analogico, 0 - 10V/0 - 500, -50 °C - +200 °C (PT100), -50 °C - +450 °C (termoelemento tipo K)
L'input DC per il controllore $\alpha 2$ può accettare segnali di 0 - 10V con un valore di risoluzione da 0 a 500.
- 7) Uscita analogica, 0 - 4000 / 0 - 10 V, 0 - 2000 / 4 - 20mA
Con il controllore $\alpha 2$ è possibile avere uscite in tensione e corrente.
- 8) Contatore ad alta velocità, max. 1kHz
Il controllore $\alpha 2$ dispone di contatori ad alta velocità (max. 2 ingressi), se si usa AL2-4EX (EI1, EI2).

9) Corrente disponibile alle Uscite

Tabella 1.1: Corrente disponibile alle Uscite

Tipo di uscite		Corrente disponibile
RELÈ	AL2-10MR-*: O01 - O04 AL2-14MR-*: O01 - O06 AL2-24MR-*: O01 - O04	8A / comune
	AL2-24MR-*: O05 - O09 AL2-4EYR: EO1 - EO4	2A / punto (4A / comune)
TRANSISTOR	AL2-4EYT: EO1 - EO4	1A / punto

10)EEPROM integrata

La EEPROM integrata nel controllore evita l'impiego di una batteria per il mantenimento dei dati di programma.

11)Supporta 7 lingue:

Il controllore $\alpha 2$ supporta 7 lingue (inglese, tedesco, francese, italiano, spagnolo, svedese e russo *¹). La lingua che deve comparire sul display può essere scelta nel TOP MENU.

*1 A partire dalla versione 3.00 o superiore.

1.2 Modelli disponibili**Tabella 1.2: Unità di base**

Modello	Tensione di alimentazione	Ingressi		Uscite		Dimensioni mm	MASSA (Peso) kg
		Tipo	Numero.	Tipo	Numero.		
AL2-10MR-A	100 - 240V AC~	100 - 240V AC~	6	RELÈ	4	71,2 x 90 x 52	0,21
AL2-10MR-D	24V DC	24V DC Sink/Source	6	RELÈ	4		0,20
AL2-14MR-A	100 - 240V AC~	100 - 240V AC~	8	RELÈ	6	124,6 x 90 x 52	0,30* ¹
AL2-14MR-D	24V DC	24V DC Sink/Source	8	RELÈ	6		
AL2-24MR-A	100 - 240V AC~	100 - 240V AC~	15	RELÈ	9		0,35* ¹
AL2-24MR-D	24V DC	24V DC Sink/Source	15	RELÈ	9		0,30* ¹

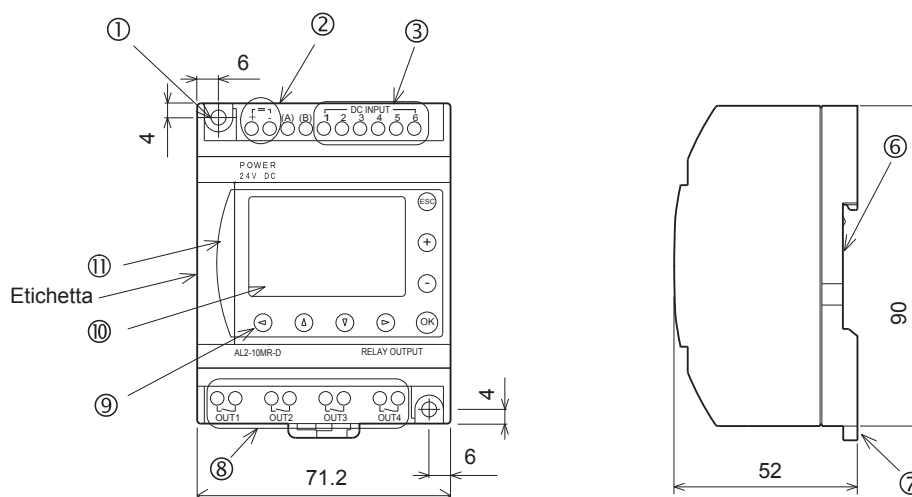
*1 Senza moduli speciali.

Tabella 1.3: Modulo di estensione

Modello	Ingressi		Uscite		MASSA (Peso) kg
	Tipo	Numero.	Tipo	Numero.	
AL2-4EX-A2	220 - 240V AC~	4	—	—	0,05
AL2-4EX	24V DC Sink/Source	4	—	—	
AL2-4EYR	—	—	RELÈ	4	
AL2-4EYT	—	—	TRANSISTOR	4	
AL2-ASI-BD	Interfaccia AS (ingressi)	4	Interfaccia AS (uscite)	4	
AL2-2DA* ¹	—	—	Output analogico (0-10V oppure 4-20mA)	2	
AL2-2PT-ADP* ¹	Adattatore di misura della temperatura (PT100)	2	Output analogico (0 - 10 V)	2	
AL2-2TC-ADP* ¹	Adattatore di misura della temperatura (termoelemento tipo K)	2	Output analogico (0 - 10 V)	2	

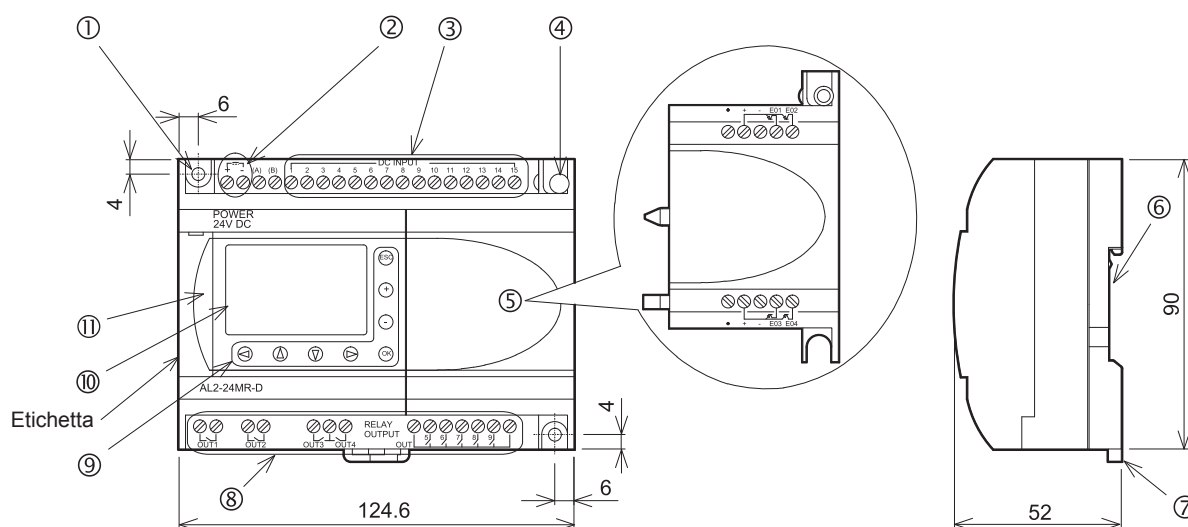
*1 Il modulo di espansione AL2-2DA e gli adattatori AL2-2PT-ADP e AL2-2TC-ADP possono essere impiegati solo con un apparecchio base $\alpha 2$ della versione V2.00 o superiore.

1.3 Misure e nome delle singole parti

Illustrazione 1.1: Nome delle singole parti (AL2-10MR-*)

Etichetta stampata

⚠ è un marchio che indica di utilizzare il cavo con una temperatura nominale appropriata (80 °C o superiore) per il cablaggio.

Illustrazione 1.2: Nome delle singole parti (AL2-14MR-*, AL2-24MR-*)**Etichetta stampata**

⚠ è un marchio che indica di utilizzare il cavo con una temperatura nominale appropriata (80 °C o superiore) per il cablaggio.

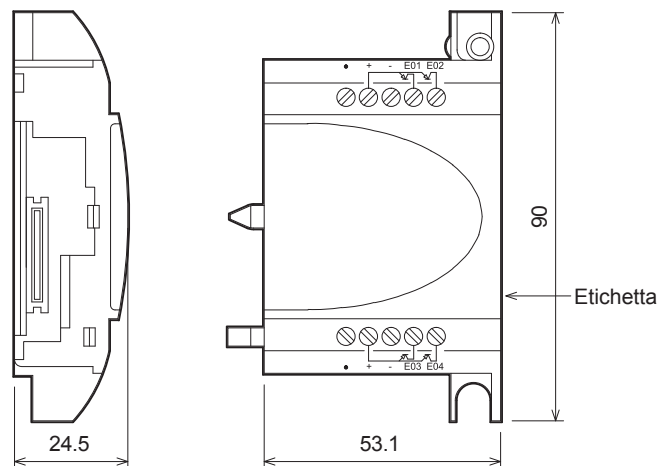
Tabella 1.4: Nome delle singole parti

No.	Descrizione
1	Foro di montaggio, diam. 4,2 mm
2	Morsetti di tensione
3	Morsetti di ingresso
4	Vite di montaggio per il coperchio dell'estensione o modulo di estensione
5	Coperchio di estensione o modulo di estensione (AL2-14MR-*, AL2-24MR-*)
6	Scanalatura per montaggio barra DIN (larghezza di barra DIN 35mm <DIN EN 50022>)
7	Fermagli di montaggio DIN-RAIL
8	Morsetti di uscita
9	Tasti operativi
10	Display a cristalli liquidi
11	Rivestimento porta di programmazione

ITL

**Osservazione**

- Le dimensioni dello AL-232CAB sono descritte nel capitolo 7.
- Le dimensioni dello AL2-GSM-CAB sono descritte nel capitolo 8.
- Le dimensioni dello AL2-ASI-BD sono descritte nel capitolo 9.
- Le dimensioni dello AL2-2DA sono descritte nel capitolo 11.
- Le dimensioni dello AL2-2PT-ADP sono descritte nel capitolo 12.
- Le dimensioni dello AL2-2TC-ADP sono descritte nel capitolo 13.

Illustrazione 1.3: Dimensions (AL2-4EX, AL2-2EX-A2, AL2-4EYR, AL2-4EYT)**Etichetta stampata**

⚠ è un marchio che indica di utilizzare il cavo con una temperatura nominale appropriata (80 °C o superiore) per il cablaggio.

1.4 Configurazione del sistema

Illustrazione 1.4: Configurazione del sistema(AL2-10MR-*)

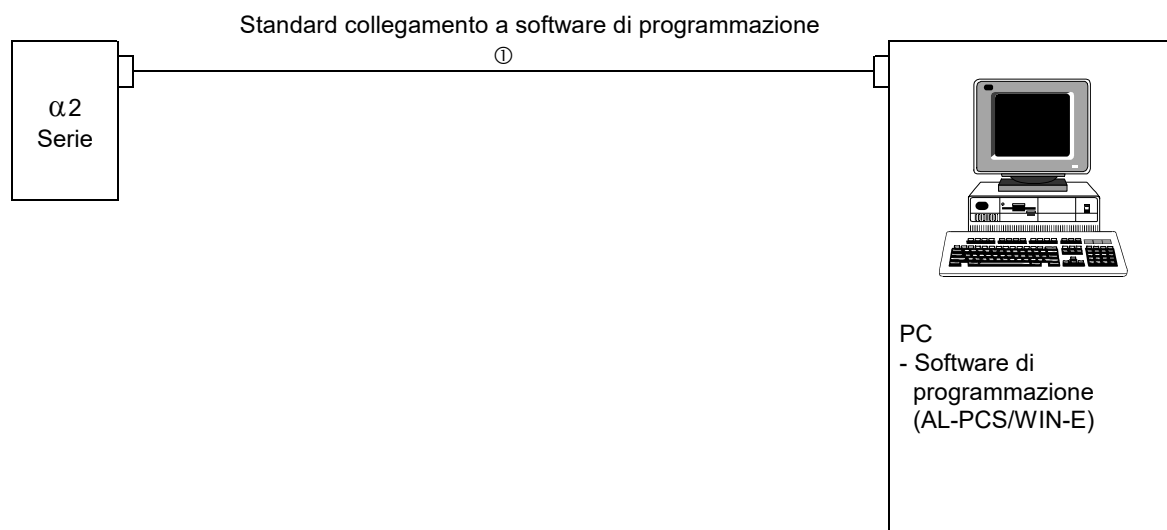
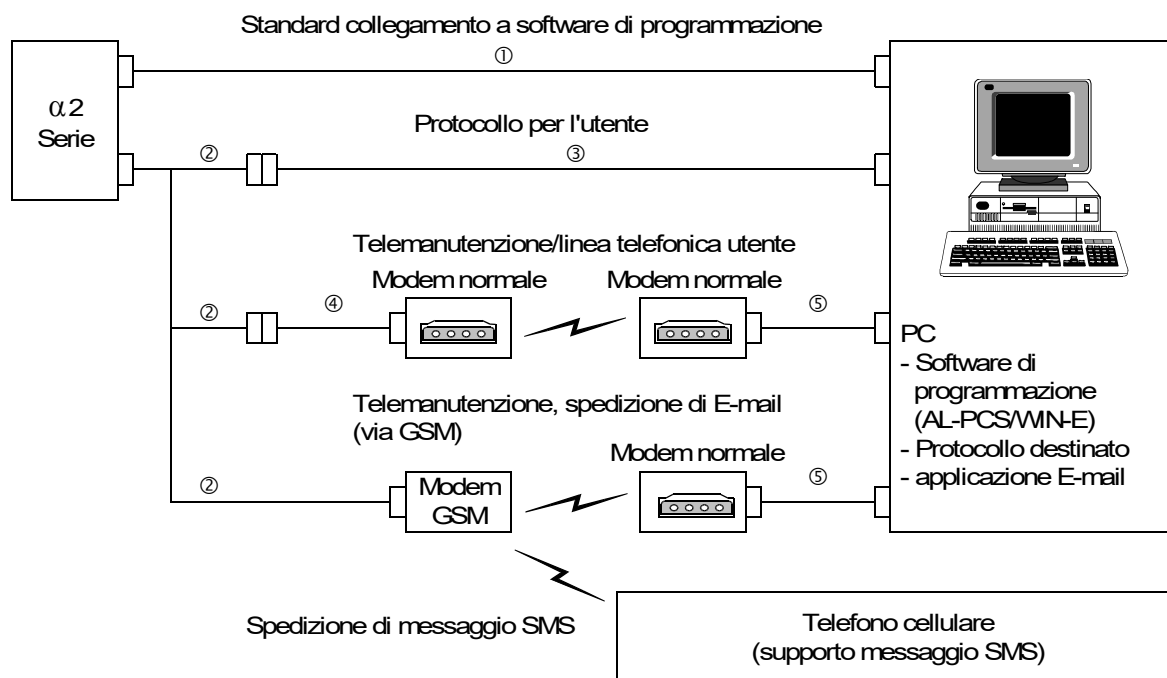


Illustrazione 1.5: Configurazione del sistema(AL2-14MR-*,AL2-24MR-*)



ITL

Tabella 1.5: Sconfigurazione del sistema

Item	Using Cable
1	AL-232CAB
2	AL2-GSM-CAB
3	cavo incrociato RS-232C * 1
4	cavo dritto RS-232C per il modem * 1
5	cavo dritto RS-232C per il modem (specificato dal costruttore del modem)

*1 Ulteriori informazioni si trovano al capitolo 8.

1.5 Elenco delle versioni

Tabella 1.6: Sviluppo del comando

Versione	Descrizione della versione
V1.00	Primo prodotto
V2.00	Supporta: <ul style="list-style-type: none"> • AL2-2DA, AL2-2PT-ADP e AL2-2TC-ADP • Buovi blocchi di funzioni AO [output analogico] e PID [regolazione PID] • DCF77-orologio
V2.20	Supporta: <ul style="list-style-type: none"> • Nuovi blocchi funzione. SMR[Short Message Receiving] e CD[Call Detect] • Protezione dei programmi utente migliorata • Impostazione dell'ora legale migliorata • Comunicazione a protocollo dedicato migliorata • GSM SIM PIN • Stringa inizializzazione modem
V3.00	Supporta: <ul style="list-style-type: none"> • Dati conta ore in memoria EEPROM (No.197 - 200) • Display Buffer Read con Protocollo dedicato • Lingua russa addizionale

1.6 Software di programmazione utilizzabile

Tabella 1.7: Software di programmazione utilizzabile

Versione del Controllore	Versione del software del programma (AL-PCS/WIN-E)
V1.00	V2.00 o superiore
V2.00	V2.30 o superiore
V2.20	V2.40 o superiore
V3.00	V2.50 o superiore



Osservazione

- Versioni AL-PCS/WIN-E inferiori al V2.00, non comunicano con il controllore $\alpha 2$.
- Non utilizzare i moduli di espansione e adattatori AL2-2DA, AL2-2PT-ADP e AL2-2TC-ADP insieme ad AL-PCS/WIN-E software di versione inferiore a V2.30.

2. Specifiche



Nota

- I dati tecnici dello AL2-ASI-BD si trovano nel capitolo 9.
- I dati tecnici dello AL2-2DA si trovano nel capitolo 11.
- I dati tecnici dello AL2-2PT-ADP si trovano nel capitolo 12.
- I dati tecnici dello AL2-2TC-ADP si trovano nel capitolo 13.

2.1 Alimentazione di potenza

Tabella 2.1: Dati dell'alimentazione di potenza

Descrizione	Code	Dati tecnici
Tensione di alimentazione	AL2-***-A	100 - 240V AC~, +10% -15%, 50/60 Hz
	AL2-***-D	24V DC, +20% -15%
Tempo max. cons. di caduta tensione	AL2-***-A	10ms
	AL2-***-D	5ms
Corrente massima di accensione	AL2-***-A, 240V CA~ (120V AC~)	$\leq 6,5 \text{ A (3,5 A) } < 5\text{ms}$
	AL2-***-D, 24V DC	$\leq 7,0 \text{ A}$
Consumo massimo di corrente	AL2-10MR-A, 264V AC~	4,9 W
	AL2-10MR-D, 28,8V DC	4,0 W
	AL2-14MR-A, 264V AC~	5,5 W
	AL2-14MR-D, 28,8V DC	7,5W
	AL2-24MR-A, 264V AC~	7,0 W
	AL2-24MR-D, 28,8V DC	9,0 W
Consumo tipico di corrente (senza moduli a funzione speciale)	AL2-10MR-A, 240V AC~	I/O all On - 3,5 W; I/O all Off - 1,85 W
	AL2-10MR-A, 120V AC~	I/O all On - 3,0W; I/O all Off - 1,55W
	AL2-10MR-D, 24V DC	I/O all On - 2,5 W; I/O all Off - 0,75 W
	AL2-14MR-A, 240V AC~	I/O all On - 4,5 W; I/O all Off - 2,0 W
	AL2-14MR-A, 120V AC~	I/O all On - 3,5 W; I/O all Off - 1,5 W
	AL2-14MR-D, 24V DC	I/O all On - 4,0 W; I/O all Off - 1,0 W
	AL2-24MR-A, 240V AC~	I/O all On - 5,5 W; I/O all Off - 2,5 W
	AL2-24MR-A, 120V AC~	I/O all On - 4,5 W; I/O all Off - 2,0 W
	AL2-24MR-D, 24V DC	I/O all On - 5,0 W; I/O all Off - 1,0 W
Fusibile	AL2-***-A AL2-10MR-D	Rating: 250 V 1 A Tipo: Time Lag
	AL2-14MR-D AL2-24MR-D	Rating: 250 V 500 mA Tipo: Time Lag

ITL

2.2 Ingressi

Tabella 2.2: Dati tecnici degli ingressi AC

Descrizione	Dati tecnici		
	Unità di base		AL2-4EX-A2
	AL2-10MR-A: I01~I06 AL2-14MR-A, AL2-24MR-A: I01~I08	AL2-24MR-A: I09 - I15	EI1 - EI4
Tensione di ingresso	100 - 240V AC~, +10% -15%, 50/60 Hz		220 - 240V AC~, +10% -15%, 50/60 Hz
Corrente di ingresso	0,13mA / 120V AC~*1 0,25mA / 240V AC~*1	0,15mA / 120V AC~*1 0,29mA / 240V AC~*1	7,5mA / 240V AC~ 50Hz 9,0mA / 240V AC~ 60Hz
Impedenza d'ingresso	$\geq 800 \text{ k}\Omega$		32k Ω (50Hz) 27k Ω (60Hz)
OFF \rightarrow ON/ ON \rightarrow OFF	$\geq 80V / \leq 40V$		$\geq 160V / \leq 40V$
Tempo di reazione	OFF \rightarrow ON	35-85ms / 120V AC~ 25-55ms / 240V AC~	15 - 40ms / 240V AC~
	ON \rightarrow OFF	35-85ms / 120V AC~ 50-130ms / 240V AC~	
Circuito di isolamento	Nessuno		Optoaccoppiatore
Indicazione di funzionamento	Display a cristalli liquidi		

*1 La perdita di corrente dai sensori collegati agli ingressi potrebbe fornire corrente sufficiente all'inserimento del controllore. Non utilizzate due sensori a filo.

Tabella 2.3: Dati tecnici degli ingressi DC

Descrizione			Sink ("-" Common)	Source ("+" Common)
Tensione di ingresso			24V DC +20% -15%	24V DC +20% -15%
Corrente di ingresso	Unità di base	AL2-10MR-D	5,5mA, 24V DC	6,0mA, 24V DC
		AL2-14MR-D		
	AL2-24MR-D	5,5mA, 24V DC		
	AL2-4EX		5,4mA, 24V DC	5,4mA, 24V DC
Segnale 0 -> Segnale 1	Unità di base		Corrente: $\geq 4,7\text{mA} / \leq 1,1\text{mA}$ Tensione: $\leq 4V / \geq 18V$	Tensione: $\geq 18V / \leq 4V$
Segnale 1 -> Segnale 0	AL2-4EX			Tensione: $\geq 18V / \leq 4V$
Tempo di reazione	Unità di base		10 - 20 ms	
	AL2-4EX *1		10 - 20 ms	

Tabella 2.3: Dati tecnici degli ingressi DC

Descrizione		Sink ("-" Common)	Source ("+" Common)
Circuito di isolamento	Unità di base	Nessuno	
	AL2-4EX	Opto isolatori	
Indicazione di funzionamento		Display a cristalli liquidi (LCD)	

*1 EI1 ed EI2 per l'unità AL2-4EX possono essere utilizzate per le entrate del contatore ad alta velocità. Tuttavia, il tempo di risposta del contatore ad alta velocità è di 0,5 ms o inferiore a questo valore.

Tabella 2.4: Dati tecnici degli ingressi analogici (Solo AL2-*unità del tipo -D)**

Descrizione	Dati tecnici
Numero di ingresso analogico	6 (I01 - I06) : AL2 - 10MR - D
	8 (I01 - I08) : AL2 - 14MR - D, AL2 - 24MR - D
Gamma ingresso analogico	0 - 500
Risoluzione	9 bit, 20mV (10V/ 500 valori)
Velocità di conversione	8ms
Tensione di ingresso	0 - 10V DC
Impedenza d'ingresso	142k Ω \pm 5%
Esattezza complessiva	\pm 5% (0.5V DC)
Sfasamento/Guadagno	Valore di sfasamento = 0 at 0V DC Valore di guadagno: 0 - 10V = 0 - 500 Questi valori standard possono essere modificati in Sfasamento FB
Deriva termica	\pm 3 LSB

ITL

2.3 Uscite

Tabella 2.5: Dati tecnici delle uscite a rele

Descrizione		Dati tecnici
Tensioni di accensione		250V AC~ o inferiore, 30V DC o inferiore
Carico resistive max.	AL2-10MR-* (O01 - O04)	8A / comune
	AL2-14MR-* (O01 - O06)	
	AL2-24MR-* (O01 - O04)	
	AL2-24MR-* (O05 - O09)	2A / punto (4A / comune)
	AL2-4EYR (EO1 - EO4)	2A / punto
Ciclo di vita contatto /Carico resistenza	AL2-10MR-* (O01 - O04)	100000 cicli a 8 A / 240V AC~ o 24V DC
	AL2-14MR-* (O01 - O06)	
	AL2-24MR-* (O01 - O04)	
	AL2-24MR-* (O05 - O09)	100000 cicli a 2A / 240V AC~ o 24V DC
	AL2-4EYR (EO1 - EO4)	
Carico min.		50mW (10mA a 5V DC)
Carico induttivo max.	AL2-10MR-* (O01 - O04)	249 VA (1/3 passa alto) / 125V AC~, 373 VA (1/2 passa alto) / 250V AC~
	AL2-14MR-* (O01 - O06)	
	AL2-24MR-* (O01 - O04)	
	AL2-24MR-* (O05 - O09)	93 VA (1/8 passa alto) / 125V AC~, 93 VA (1/8 passa alto) / 250V AC~
	AL2-4EYR (EO1 - EO4)	
Tempo di reazione		$\leq 10\text{ms}$
Indicazione di funzionamento		Display a cristalli liquidi
Circuito di isolamento tramite		Rele

Tabella 2.6: Specifiche output del transistore (solo tipo di fonte) di AL2-4EYT

Descrizione	Dati tecnici
Tensioni di accensione	5 - 24V DC (+20%, -5%)
Carico resistive max.	1A / morsetti (8 - 24V DC), 0,1A / morsetti (5 - 8V DC)
Carico min.	1,0mA
Carico induttivo max.	1A / 24V DC (24 W)
Tempo di reazione 1 -> 0 / 0 -> 1 (env.)	$\leq 1\text{ ms}$
Corrente di dispersione	$\leq 0,1\text{mA} / 24\text{V DC}$
Indicazione di funzionamento	Display a cristalli liquidi
Circuito di isolamento	Optoaccoppiatore

2.4 Specifica generale

Tabella 2.7: Specifiche ambientali ed elettriche

Descrizione	Dati tecnici
Metodo di programmazione	Blocco di funzione
Capacità programmi	200 Blocco di funzione or 5000 Bytes
Metodo di salvataggio programmi	EEPROM incorporata (non necessita di batteria di riserva) o cassetta EEPROM opzionale
Backup del dispositivo	20 giorni a 25°C / 77°F (tramite condensatore)
Backup OTR (Orologio a Tempo Reale)	20 giorni a 25°C / 77°F (tramite condensatore)
Precisione OTR (orologio tempo reale)	5 s / giorno (25°C / 77°F)
Temperatura di esercizio	Hardware del controllore: (-25) - 55°C / (-13) - 131°F Display del controllore: (-10) - 55°C / 14 - 131°F
Temperatura di conservazione	(-30) - 70 °C / (-22) - 158°F
Resistenza vibrazioni Montaggio diretto	conforme alla normativa IEC 68-2-6; 10-57 Hz: 0,15 mm ampiezza costante 57-150 Hz: 19,6 m/s ² accelerazione Conteggio sweep per X,Y,Z: 10 volte (80 min. in ogni direzione)
Resistenza vibrazioni Montaggio su supporto DIN	conforme alla normativa IEC 68-2-6; 10-57 Hz: 0,075 mm ampiezza costante 57-150 Hz: 9,8 m/s ² accelerazione Conteggio sweep per X,Y,Z: 10 volte (80 min. in ogni direzione)
Resistenza agli urti	conforme alla normativa IEC 68-2-27: 147m/s ² accelerazione, tempo di azione: 11 ms 3 volte in ogni direzione X,Y e Z
Immunità al rumore	1000Vpp, 1 microsecondi, 30 - 100 Hz, collaudato mediante simulatore di rumore
Umidità	Umidità relativa 35-85%, senza condensa
Rigidità dielettrica	3750 V CA~ per un minuto tra i seguenti punti: Morsetti di alimentazione/ingresso e morsetti di uscita relè Morsetto di uscita relè e morsetto di uscita relè Tutti i morsetti e l'unità di controllo DIN 43880 o equivalente
Resistenza di isolamento	7 M Ω a 500 V CC tra i seguenti punti: Morsetti di alimentazione/ingresso e morsetti di uscita relè Morsetto di uscita relè e morsetto di uscita relè Tutti i morsetti e l'unità di controllo DIN 43880 o equivalente
Grado di inquinamento	2
Messa a terra	Non
Isolamento elettrico	Isolamento galvanico primario/secondario
Condizioni ambientali	Ambiente privo di gas corrosivi. Limitare al minimo la presenza di polvere.
Protezione	IP 20
Temperatura di prova di durezza con la sfera	75°C (167°F)
Altitudine di lavoro	<2000 m ^{*1}
Luogo di installazione	Dentro il pannello di controllo ^{*2}

Tabella 2.7: Specifiche ambientali ed elettriche

Descrizione		Dati tecnici
Categoria di sovratensione		II
Direttiva CE	EMC	EN61131-2: 2007
	LVD	EN61131-2: 2007 ^{*3} EN IEC 61010-2-201 ^{*3*4}
Certificazione di UL/cUL		Numero file: E95239 ^{*5}
Display a cristalli liquidi		Visualizza 4 righe da 12 caratteri l'una. Modo Program Run On/Off, protezione con password, tabella immagini, e blocchi funzionali durante la programmazione.

*1 Il controller della serie $\alpha 2$ non può essere utilizzato ad una pressione superiore a quella atmosferica per evitare danni.

*2 Il controllore della serie $\alpha 2$ è stato progettato per essere installato in ambiente chiuso o equivalente.

*3 I controllori della serie $\alpha 2$ prodotti prima del 28 Febbraio 2018 sono conformi alla norma EN61131-2-2007, a partire dal 1 marzo 2018 sono conformi alla norma EN IEC 61010-2-201.

*4 Alcuni modelli prodotti dopo il 1 Gennaio 2018 sono conformi alla norma EN IEC 61010-2-201.

*5 AL2-ASI-BD non rispetta questi standard.

Precauzione per la conformità alla direttiva LVD (EN IEC 61010-2-201)

- Utilizzare il controllore $\alpha 2$ installato all'interno del quadro elettrico in ambiente industriale.
- I controllori della serie $\alpha 2$ sono prodotti aperti e vanno installati all'interno di un quadro elettrico schermato. Fissare il coperchio del pannello per garantire la continuità della schermatura.
L'installazione all'interno del quadro elettrica aumenta notevolmente la sicurezza del sistema e garantisce una schermatura contro i disturbi.
- Per il quadro elettrico, utilizzare prodotti con sufficiente resistenza, protezione contro il fuoco e schermatura per l'ambiente di installazione.
- Per connessioni esterne diverse dai terminali di alimentazione e dai morsetti di ingressi/uscita in AC, separare il circuito da tensioni pericolose tramite un doppio isolamento.
- Per il cablaggio, inserire il cavo completamente nei morsetti di collegamento.
- Un dispositivo di sezionamento, come un interruttore o un dispositivo di protezione deve essere installato con le seguenti precauzioni:
 - seguire la norma EN60947-1 o EN60947-3.
 - installare il dispositivo di sezionamento in modo che sia facilmente accessibile.
 - evidenziare che il dispositivo di sezionamento agisce sul controllore presente.

3. Installazione

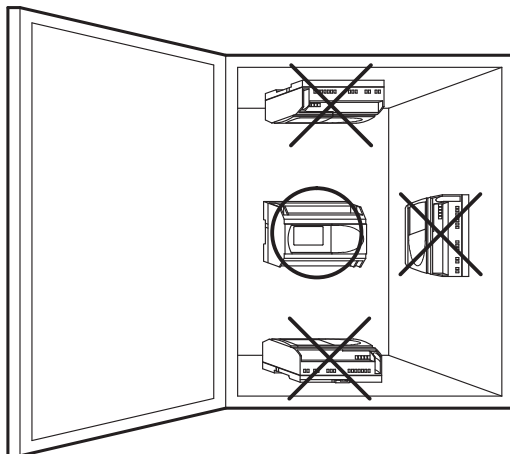
3.1 Osservazioni sull'installazione



Il controllore $\alpha 2$ è un prodotto sicuro che può essere installato praticamente ovunque; ciò nonostante considerare quanto segue.

- Non installate in aree soggette a polvere eccessiva o conduttiva, gas corrosivo o infiammabile, umidità o pioggia, calore eccessivo, urti regolari o vibrazione eccessiva. Non immergete in acqua ed evitate che possa penetrare acqua nel controllore.
- Non fate cadere detriti all'interno dell'unità durante l'installazione.
- Mantenetelo il più lontano possibile dai cavi e dall'attrezzatura ad alta tensione e dall'attrezzatura di potenza.
- L'a deve essere installato in cassette progettate per l'installazione di dispositivi conformi alla norma DIN 43880 o in un regolatore di tensione.
- Se fosse possibile toccare l' $\alpha 2$ all'interno del quadro elettrico in manutenzione, assicurarsi di scaricarlo per evitare l'influenza dell'elettricità statica.

Illustrazione 3.1: Allestimento in montaggio



- Per il montaggio mediante i fori filettati, utilizzare viti formato M4.
- I connettori devono essere coperti per evitare il rischio di lesioni dovute al contatto con conduttori "sotto tensione".
- Lasciare almeno 10 mm di spazio per la ventilazione tra i bordi superiore e inferiore dell'a e le pareti circostanti.
- Non smontate il controllore della serie a. Per la sostituzione della cassetta di memoria, consultate il relativo manuale.



Nota

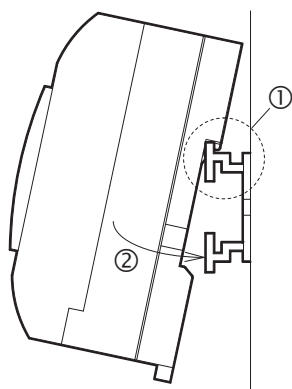
- Riferirsi al capitolo 6 se si installa o deinstalla il AL2-EEPROM-2.
- Riferirsi al capitolo 7 se si installa o deinstalla il AL-232CAB.
- Riferirsi al capitolo 8 se si installa o deinstalla il AL2-GSM-CAB.
- Se si installa o si rimuove AL2-ASI-BD, osservare per favore il capitolo 9
- Se si installa o si rimuove AL2-2DA osservare per favore il capitolo 11.
- Se si installa o si rimuove AL2-2PT-ADP osservare per favore il capitolo 12.
- Se si installa o si rimuove AL2-2TC-ADP osservare per favore il capitolo 13.

3.2 BARRA DIN Montaggio dell'unità principale

Gli apparecchi possono essere montati a scatto su una barra DIN 35mm (DIN EN e0022). Per smontare l'apparecchio, tirare dalla barra il fissaggio rapido servendosi di un giravite ed estrarre l'apparecchio.

3.2.1 Installazione

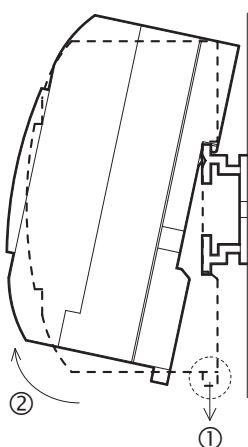
Illustrazione 3.2: Installazione



Allineare la parte superiore della scanalatura di montaggio della barra $\alpha 2$ DIN con la barra DIN (①) e infilarla nella barra (②).

3.2.2 Smontaggio

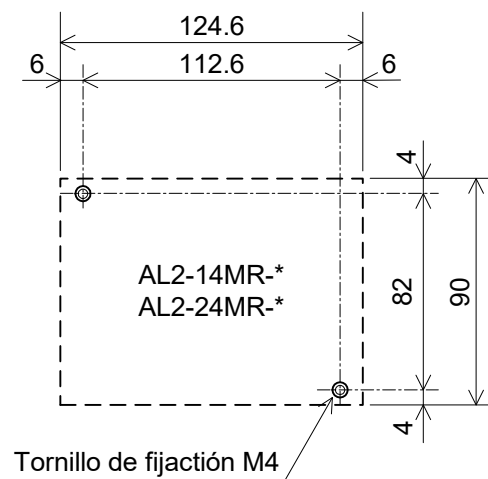
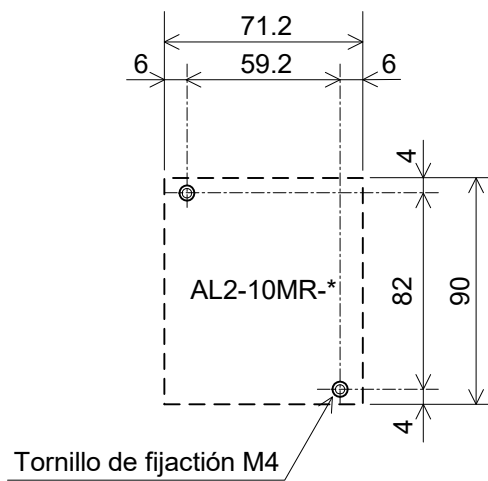
Illustrazione 3.3: Smontaggio



Estrarre il gancio della barra DIN (①) e smontare l'unità principale $\alpha 2$ (②).

3.3 Montaggio diretto dell'unità principale

Illustrazione 3.4: Montaggio diretto



ITL

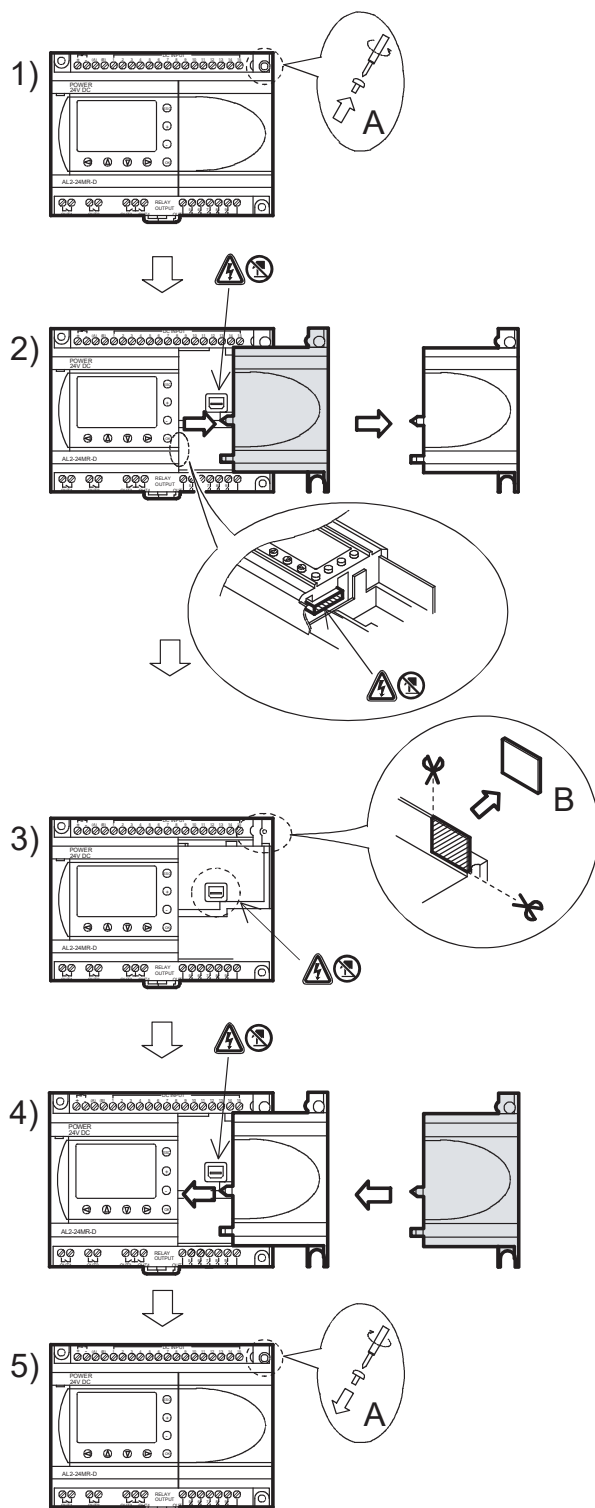
3.4 Installare il modulo di estensione (AL2-14MR-*,AL2-24MR-*)



Attenzione

Prima di rimuovere il coperchio, disinserire tutti i terminali dall'alimentazione.

Illustrazione 3.5: Installazione



1) Rimuovere la vite 'A' e conservarla.

2) Rimuovere con cautela la mascherina della porta di espansione montata in fabbrica.

3) Tagliare la sezione 'B' dell'unità base del controllore della serie $\alpha 2$.

4) Rimettere il modulo di espansione sull'unità principale.

5) Applicare di nuovo la vite 'A' e serrarla con una coppia di 0,4 N·m.

: Pericolo di scossa elettrica.

: Non toccare le parti conduttive direttamente.

4. Allacciamento elettrico



Nota

- Il cablaggio dello AL2-ASI-BD è descritto nel capitolo 9.
- Il cablaggio dello AL2-2DA è descritto nel capitolo 11.
- Il cablaggio dello AL2-2PT-ADP è descritto nel capitolo Kapitel 12.
- Il cablaggio dello AL2-2TC-ADP è descritto nel capitolo 13.

4.1 Note sul cablaggio di installazione



Il cablaggio di $\alpha 2$ Series è stato progettato in modo che sia sicuro e semplice. Tutti gli interventi relativi ai collegamenti elettrici dell'a devono essere eseguiti da un tecnico o un ingegnere esperto delle norme nazionali e locali riguardanti gli impianti elettrici. Prima di effettuare qualsiasi operazione di cablaggio è necessario disinserire l'alimentazione di corrente.

- I cavi di ingresso e di uscita non devono essere instradati nello stesso cavo multipolare o condividere lo stesso filo.
- Non disporre i cavi di ingresso/uscita vicino ai cavi di alimentazione dell'alta tensione.
- La lunghezza dei cavi di entrata ed uscita deve essere inferiore a 30m.

Calcolate la caduta di tensione e le interferenze di disturbo nelle linee di entrata/uscita posate per lunghe distanze. Vi preghiamo di utilizzare cavi di misura idonea al carico di corrente.



Per il terminal si può usare un cacciavite a testa piatta da 3 mm.

4.2 Dimensione del filo

Per gli input e gli output usare il seguente filo. Spelare il filo per la lunghezza che segue. (Vedi tabella 4.1 e illustrazione 4.1). Svitare il morsetto sino alla sua posizione massima prima di inserire un filo. Inserire completamente il filo nel morsetto per assicurarsi di aver instaurato un collegamento corretto.

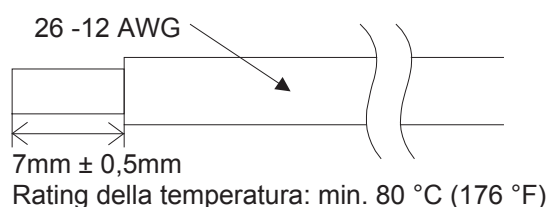
Per i morsetti è adatto un cacciavite a testa piatta da 3 mm..

Tabella 4.1: Dimensioni dei fili

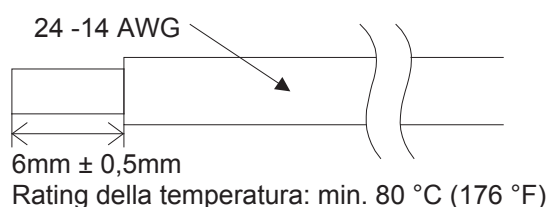
	Dimensione fili	Lunghezza
Unità di base	26 - 12 AWG (0,13 - 3,31mm ²)	7mm \pm 0,5mm
Modulo di estensione	24 - 14AWG (0,2 - 2,5mm ²)	6mm \pm 0,5mm

Illustrazione 4.1: Dimensioni dei fili

Unità di base



Modulo di estensione e



Nota:

- Per evitare di danneggiare il filo, serrare con una coppia di 0,5-0,6 N·m.
- Per favore non usare stagno, lega per saldature o altri materiali sul cavo spelato, dato che ciò potrebbe causare la rottura della tratta di filo.
 - Cavo saldato:
togliere la guaina, torcere l'anima dei fili, poi collegare il cavo (o usare un capocorda a strozzamento).
 - Cavo singolo:
togliere la guaina, poi collegare il cavo.

4.3 Tensione di alimentazione



- Per l'allacciamento della tensione alternata (AC) si deve collegare il conduttore L al morsetto L e il conduttore N al morsetto N. NON collegare il filo "Live" al morsetto "N", poiché l'utente potrebbe subire una pericolosa scossa elettrica al momento dell'accensione.
- Per l'allacciamento della tensione continua (DC) si deve collegare il conduttore positivo al morsetto (+) e il conduttore negativo al morsetto (-). L'allacciamento della tensione di alimentazione non si deve eseguire in nessun caso in altri morsetti dell'apparecchio. Le unità di alimentazione di corrente continua devono essere in grado di fornire al controllore un'erogazione di 4 ampere di corrente.

Illustrazione 4.2: Circuito di alimentazione raccomandato

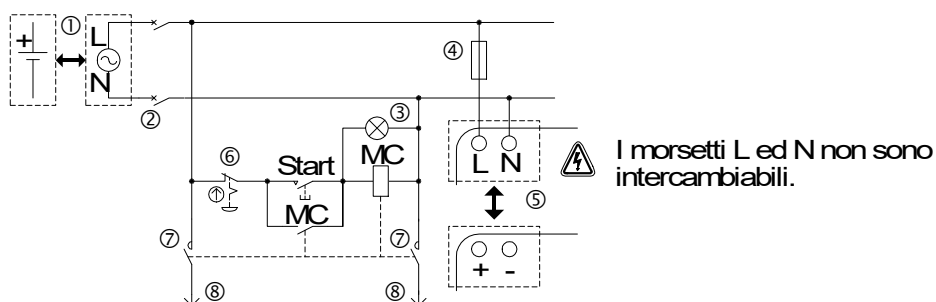


Tabella 4.2: Alimentazione

No.	Descrizione
1	Tensione di alimentazione AL2-***-A: 100-240V AC~, 50/60Hz AL2-***-D: 24V DC
2	Dispositivo di isolamento circuito
3	Indicatore pilota di accensione
4	Dispositivo di protezione circuito limitare a 1,0A
5	Sistema $\alpha 2$
6	Interruttore di emergenza
7	Contatto interruttore magnetico
8	Tensione di alimentazione per carico

4.4 AC Circuito di alimentazione di corrente ed input

4.4.1 AC Circuito di alimentazione di corrente ed input

Illustrazione 4.3: Diagramma del circuito di alimentazione di corrente e input

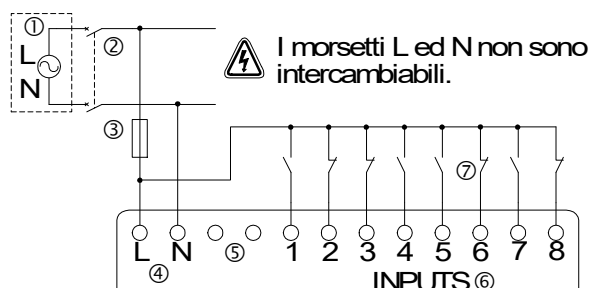


Tabella 4.3: Diagramma del circuito di alimentazione di corrente AC e input

No.	Descrizione
1	Tensione di alimentazione AC: 100-240V AC~ 50/60Hz
2	Dispositivo di isolamento circuito
3	Dispositivo di protezione circuito limitare a 1,0A
4	Morsetti di tensione AC
5	Terminali non utilizzati
6	Morsetti di ingresso
7	Interruttore di ingresso

4.4.2 AL2-4EX-A2 Circuito di input

Illustrazione 4.4: Diagramma circuito di input AL2-4EX-A2

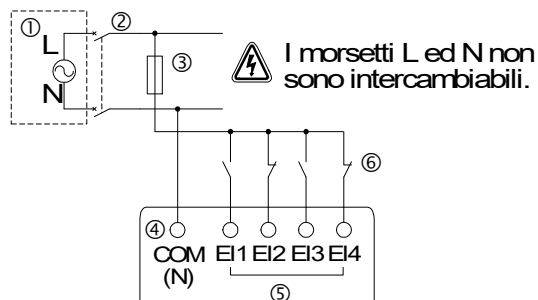


Tabella 4.4: Diagramma del circuito di alimentazione di corrente AC e input

No.	Descrizione
1	Tensione di alimentazione AC: 220-240V AC~ 50/60Hz
2	Dispositivo di isolamento circuito
3	Dispositivo di protezione circuito limitare a 1,0A
4	COM (N) Terminali
5	Morsetti di ingresso
6	Interruttore di ingresso

4.5 Circuito di alimentazione di corrente DC ed input

4.5.1 Diagramma circuito di alimentazione di corrente DC e fonte ("+" comune) di input

Illustrazione 4.5: Diagramma circuito di alimentazione di corrente DC e fonte ("+" comune) di input

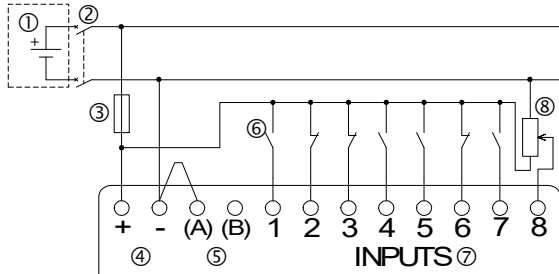


Tabella 4.5: Circuito di alimentazione di corrente DC e fonte ("+" comune) di input

No.	Descrizione
1	Tensione di alimentazione DC: 24V DC
2	Dispositivo di isolamento circuito
3	Dispositivo di protezione circuito limitare a 1,0A
4	Morsetti di tensione DC
5	Morsetti di ingresso Sink/Source
6	Interruttori di ingresso sensore
7	Morsetti di ingresso
8	Ingresso analogico

4.5.2 AL2-4EX Diagramma di fonte ("+" comune) di input

Illustrazione 4.6: AL2-4EX Diagramma di fonte ("+" comune) di input

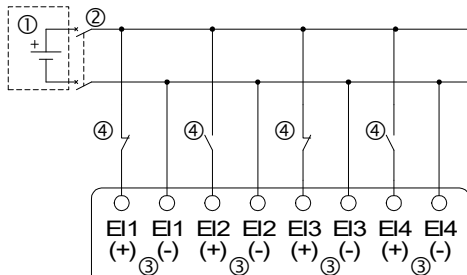


Tabella 4.6: Diagramma circuito di alimentazione di corrente DC e fonte ("+" comune) di input

No.	Descrizione
1	Tensione di alimentazione DC: 24V DC
2	Dispositivo di isolamento circuito
3	Morsetti di ingresso vedi Nopte
4	Interruttori di ingresso sensore



Nota

Ciascun terminale di ingresso (EI1 - EI4) può essere utilizzato sia come ingresso sorgente o ingresso di commutazione negativa.

4.5.3 Diagramma alimentazione corrente DC e abbassamento ("-" comune) di input

Illustrazione 4.7: Diagramma alimentazione corrente DC e abbassamento ("-" comune) di input

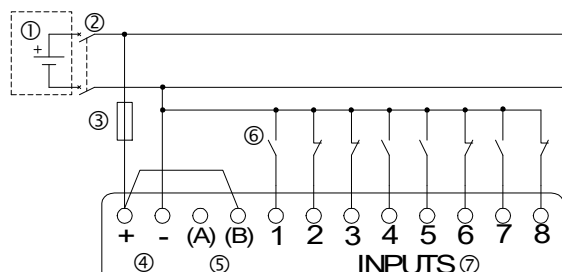


Tabella 4.7: Diagramma alimentazione corrente DC e abbassamento ("-" comune) di input

No.	Descrizione
1	Tensione di alimentazione DC: 24V DC
2	Dispositivo di isolamento circuito
3	Dispositivo di protezione circuito limitare a 1,0A
4	Morsetti di tensione DC
5	Morsetti di ingresso Sink/Source
6	Interruttori di ingresso sensore
7	Morsetti di ingresso

4.5.4 AL2-4EX Diagramma circuito diminuzione ("-" comune) input

Illustrazione 4.8: AL2-4EX Diagramma circuito diminuzione ("-" comune) input

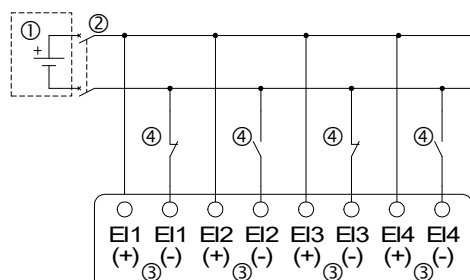


Tabella 4.8: AL2-4EX Diagramma circuito diminuzione ("-" comune) input

No.	Descrizione
1	Tensione di alimentazione DC: 24V DC
2	Dispositivo di isolamento circuito
3	Morsetti di ingresso vedi Nopte
4	Interruttori di ingresso sensore



Nota

Ciascun terminale di ingresso (EI1 - EI4) può essere utilizzato sia come ingresso sorgente o ingresso di commutazione negativa.

4.6 Circuito di uscita transistore e relè

4.6.1 Diagramma circuito di output del relé , unità principale (AC e/o DC)

Illustrazione 4.9: Diagramma circuito di output del relé , unità principale (AC e/o DC)

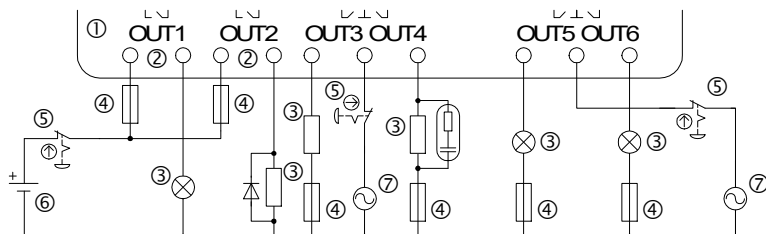


Tabella 4.9: Diagramma circuito di output del relé , unità principale (AC e/o DC)

No.	Descrizione
1	Sistema $\alpha 2$
2	Uscite mutuamente esclusive
3	Dispositivi di uscita
4	Dispositivo di protezione vedi Tabella 4.10
5	Interruttore di emergenza
6	Tensione DC
7	Tensione AC

Tabella 4.10: Relé schermo di protezione del circuito di uscita

Modello	Numero di uscite	Carico resistive max.	Dispositivo di protezione circuito (fusibile)
AL2-10MR-*	O01-O04	8A / comune	$\leq 10A$ / circuito
AL2-14MR-*	O01-O06		$\leq 10A$ / circuito
AL2-24MR-*	O01-O04		$\leq 10A$ / circuito
	O05-O09	2A / punto (4A / comune)	$\leq 3A$ / circuito

ITL

4.6.2 Diagramma circuito di output del relé , AL2-4EYR (AC e/o DC)

Illustrazione 4.10: Diagramma circuito di output del relé , AL2-4EYR (AC e/o DC)

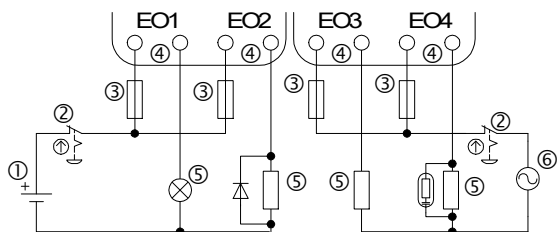


Tabella 4.11: Diagramma circuito di output del relé , AL2-4EYR (CA e/o DC)

No.	Descrizione
1	Tensione DC
2	Interruttore di emergenza
3	Fusibile ($\leq 3A$)
4	Uscite mutuamente esclusive
5	Dispositivi di uscita
6	Tensione AC

Tabella 4.12: Relé schermo di protezione del circuito di uscita

Modello	Numero di uscite	Carico resistive max.	Dispositivo di protezione circuito (fusibile)
AL2-4EYR	EO1-EO4	2A / punto	$\leq 3A$ / circuito

4.6.3 Diagramma circuito output del transistore (fonte/ "+" solo comune) AL2-4EYT

Illustrazione 4.11: Diagramma circuito output del transistore (fonte/ "+" solo comune) AL2-4EYT

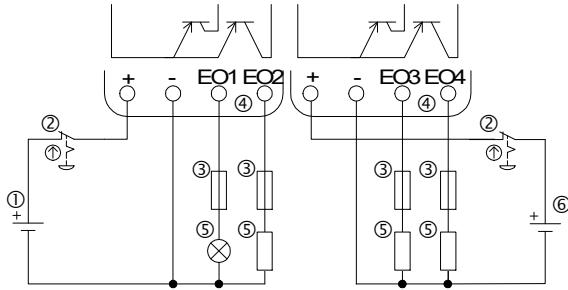


Tabella 4.13: Uscita transistore

No.	Descrizione
1	Alimentazione DC per le uscite, 24V DC
2	Interruttore di emergenza
3	Dispositivo di protezione vedi Tabella 4.14
4	Morsetti di uscita
5	Dispositivi di uscita
6	Alimentazione DC per le uscite, 12V DC

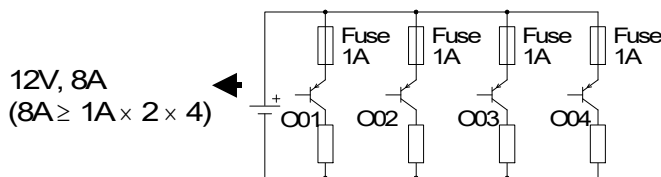
Tabella 4.14: Protezione per uscita transistore

Circuit Tensione	Circuit Protection (Fuse)
5V DC	< 0.3A / circuito
12V DC	$\leq 2.0A$ / circuito *1
24V DC	< 2.0A / circuito *1

*1 Capacità fonte di corrente \geq misura fusibile $\times 2$



Illustrazione 4.12: Esempio di calcolo della misura del fusibile



Nota;



Tabella 4.15: Morsetti di uscita

Volt	Morsetti di uscita
5	Ogni circuito può contenere da un morsetto di uscita sino al numero massimo di morsetti di uscita.
12-24	Ogni circuito può contenere da un morsetto di uscita sino al numero massimo di morsetti di uscita.
5,12,24	L'impiego di una qualsiasi combinazione di uscite da 5 Volt, 12 Volt e 24 Volt può avvenire sullo stesso controllore della serie a se si utilizzano circuiti separati per ogni livello di tensione.

5. Assegnazione dei morsetti



Nota

- L'assegnazione dei morsetti dello AL2-ASI-BD è descritta nel capitolo 9.
- L'assegnazione dei morsetti dello AL2-2DA è descritta nel capitolo 11.
- L'assegnazione dei morsetti dello AL2-2PT-ADP è descritta nel capitolo 12.
- L'assegnazione dei morsetti dello AL2-2TC-ADP è descritta nel capitolo 13.

Illustrazione 5.1: AL2-10MR-A, Ingresso AC, Uscita relè

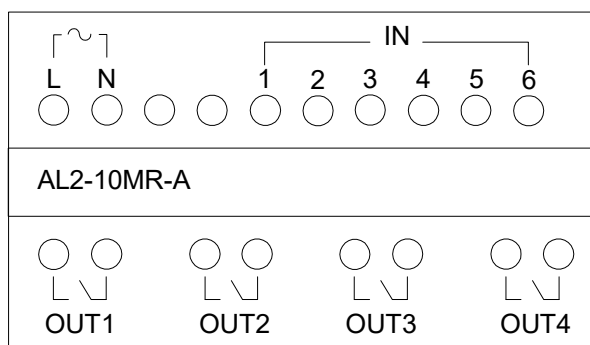


Illustrazione 5.2: AL2-10MR-D, Ingresso DC, Uscita relè

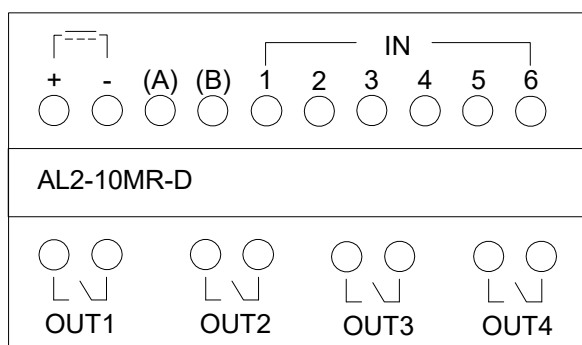


Illustrazione 5.3: AL2-14MR-A, Ingresso AC, Uscita relè

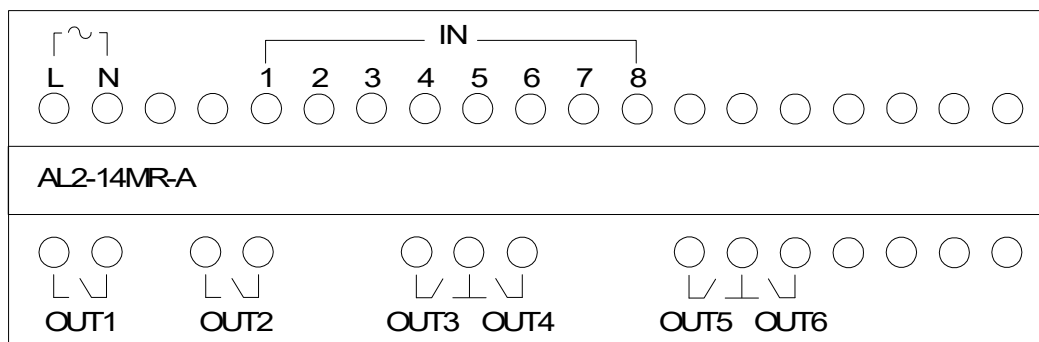


Illustrazione 5.4: AL2-14MR-D, Ingresso DC, Uscita relè

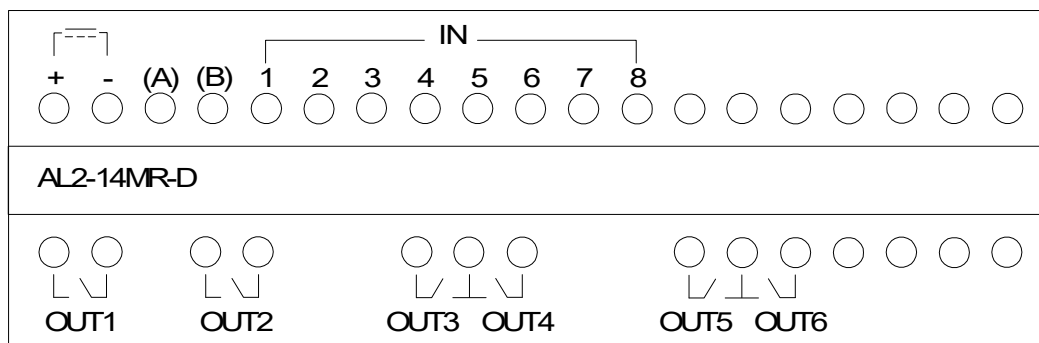


Illustrazione 5.5: AL2-24MR-A, Ingresso AC, Uscita relè

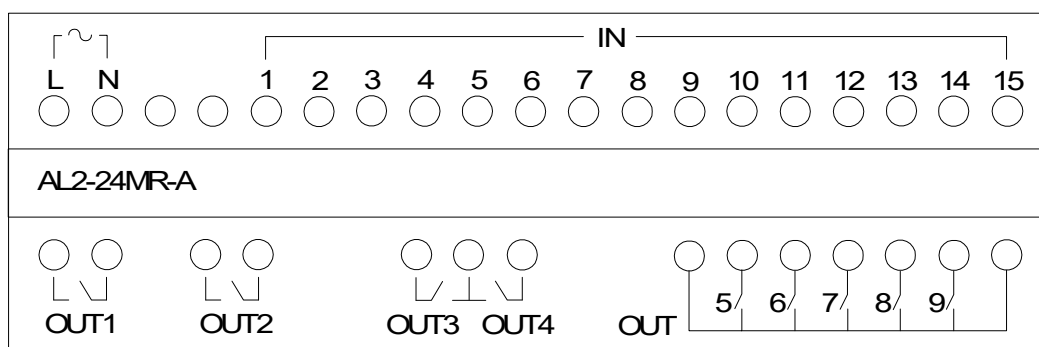


Illustrazione 5.6: AL2-24MR-D, Ingresso DC, Uscita relè

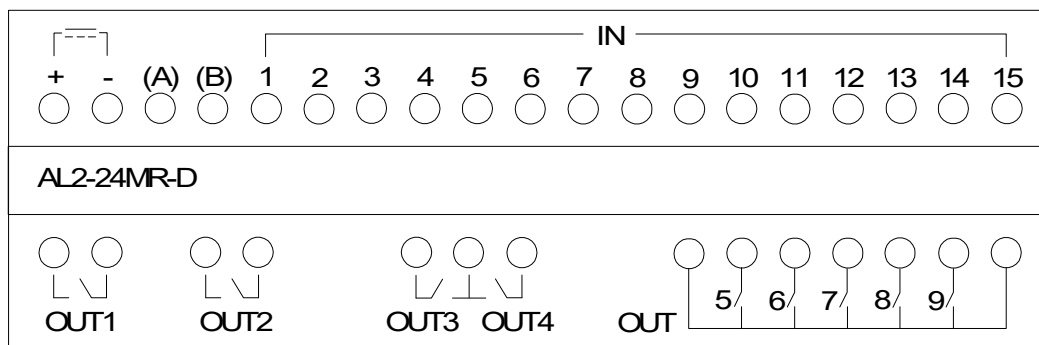
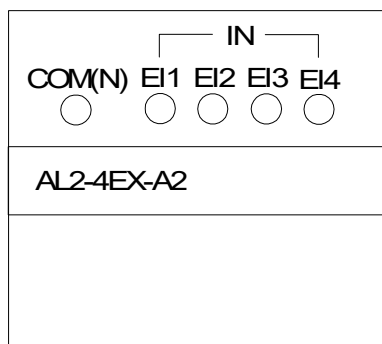


Illustrazione 5.7: AL2-4EX-A2, 220-240V Ingresso AC



ITL

Illustrazione 5.8: AL2-4EX, Ingresso DC

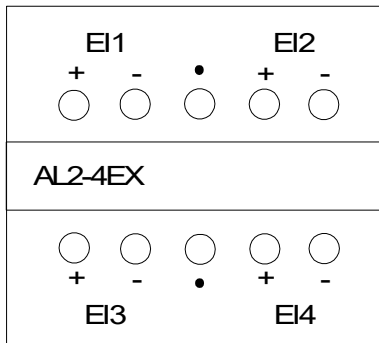


Illustrazione 5.9: AL2-4EYR, Uscita relè

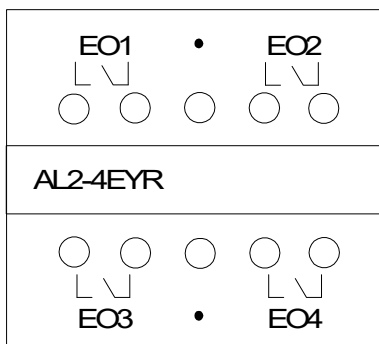
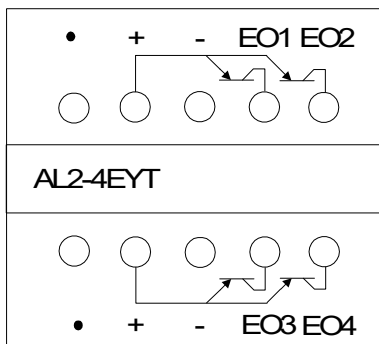


Illustrazione 5.10: AL2-4EYT, Uscita transistore



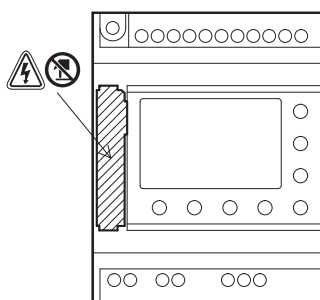
6. AL2-EEPROM-2


La CASSETTA MEMORIA AL2-EEPROM-2 è stata concepita per essere usata solo insieme al controllore della serie $\alpha 2$ (modello: AL2-**M*-*).




Avvertenza

- Le sole persone autorizzate a cambiare la cassetta di memoria sono quelle che conoscono a perfezione le norme locali e nazionali per i lavori elettrotecnici.
- Staccare l'alimentazione di corrente prima di installare o togliere la cassetta di memoria.
- Rimettere il coperchio dopo aver tolto la cassetta di memoria.
- Durante l'installazione del coperchio o della cassetta di memoria, della serie $\alpha 2$, fare attenzione a non schiacciarsi le dita.
- NON toccare le parti seguenti quando si toglie il coperchio o la cassetta di memoria.

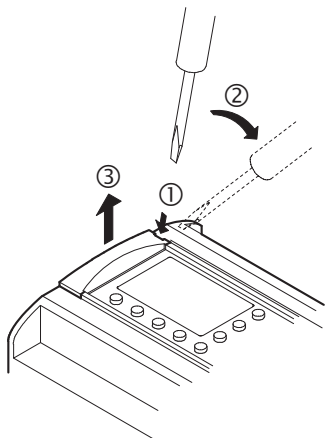


 : Pericolo di scossa elettrica.

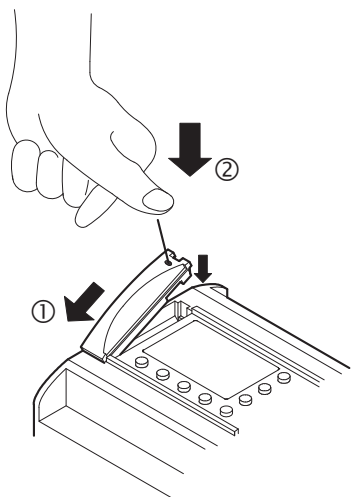
 : Non toccare le parti conduttive direttamente.

6.1 Installazione

1) Modo di togliere il coperchio o la cassetta di memoria



2) Modo di montare il coperchio o la cassetta di memoria



7. AL-232CAB

7.1 Introduzione

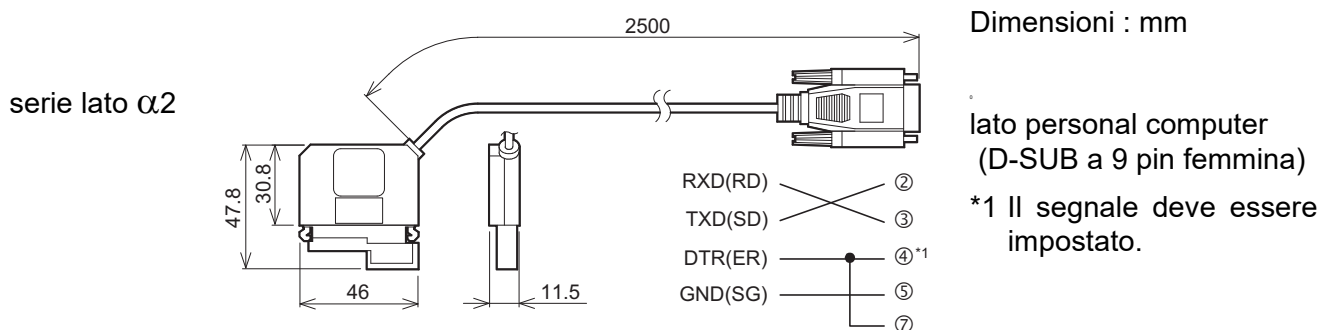
L'AL-232CAB è un cavo RS-232C collegato tra un controllore della serie α (α , $\alpha 2$) ed un personal computer utilizzato come mezzo di programmazione.



Nota

- Il cavo AL-232CAB non può essere utilizzato per scopi non conformi alla sua destinazione.
- Il cavo AL-232CAB sporge di circa 40 mm dal pannello superiore se viene collegato ad un controllore della serie α .

7.1.1 Misure d'ingombro



7.2 Collegare al cavo AL-232CAB



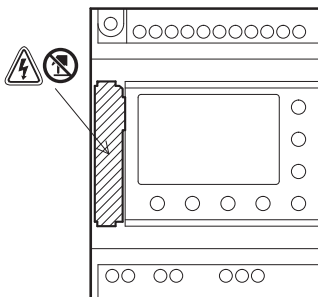
Togliere coperchio e cassetta di memoria


- Agire con cautela, per la sicurezza personale, quando si toglie il coperchio $\alpha 2$.




Avvertenza

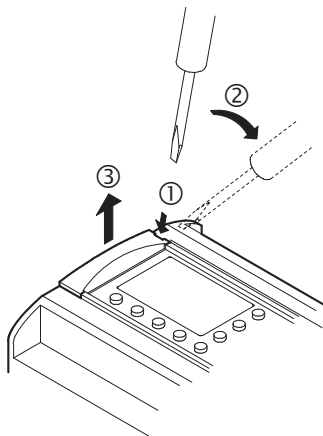
- Staccare l'alimentazione di corrente quando si installa o si stacca il cavo AL-232CAB.
- Installare il coperchio o la cassetta di memoria dopo aver tolto il cavo AL-232CAB.
- Quando si installa il coperchio del connettore o la cassetta di memoria $\alpha 2$, fare attenzione a non schiacciarsi le dita.
- Per favore tenere l'involucro protettivo quando si stacca il cavo. NON tirare sul filo elettrico.
- NON toccare la parte seguente quando di toglie il coperchio, la cassetta di memoria o questo cavo.



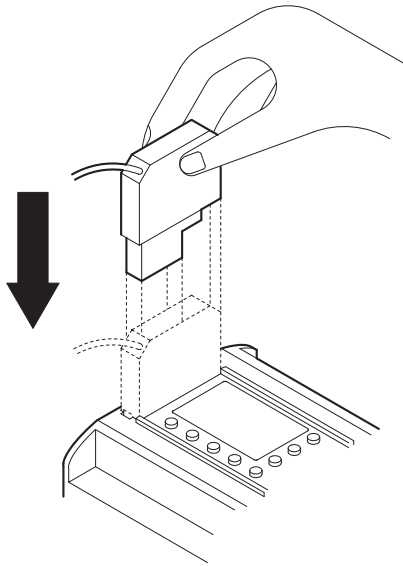
 : Pericolo di scossa elettrica.

 : Non toccare le parti conduttive direttamente.

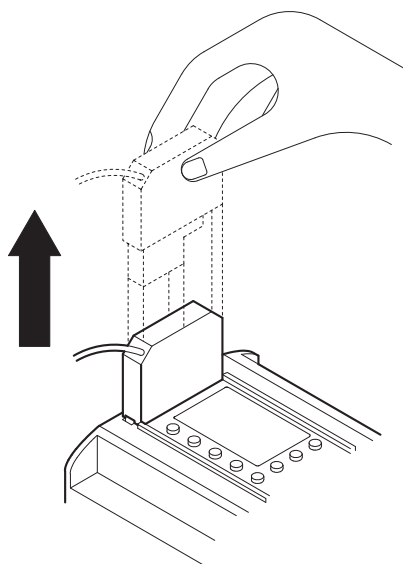
1) Come rimuovere il coperchio oppure la cassetta di memoria



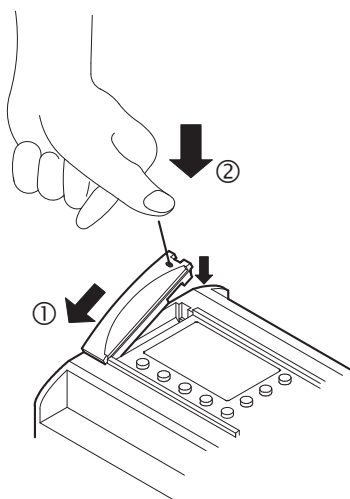
2) Come collegare il cavo AL-232CAB



3) Come rimuovere il cavo AL-232CAB



4) Come applicare il coperchio oppure la cassetta di memoria



ITL

MEMO

8. AL2-GSM-CAB

8.1 Introduzione

Lo AL2-GSM-CAB può essere usato per collegare controllori serie $\alpha 2$ ad un modem normale o GSM. Il AL2-GSM-CAB può trasmettere dati "Short Message Service" (SMS) a modem GSM, per la trasmissione a cellulari e indirizzi E-mail o può facilitare funzioni di monitoraggio remote e transfer di programmi tramite modem normale. Si può anche effettuare la comunicazione RS-232C ad un PC, se si usa un cavo di adattamento.

Ulteriori informazioni si trovano nel manuale di programmazione $\alpha 2$ e nel manuale del software α .



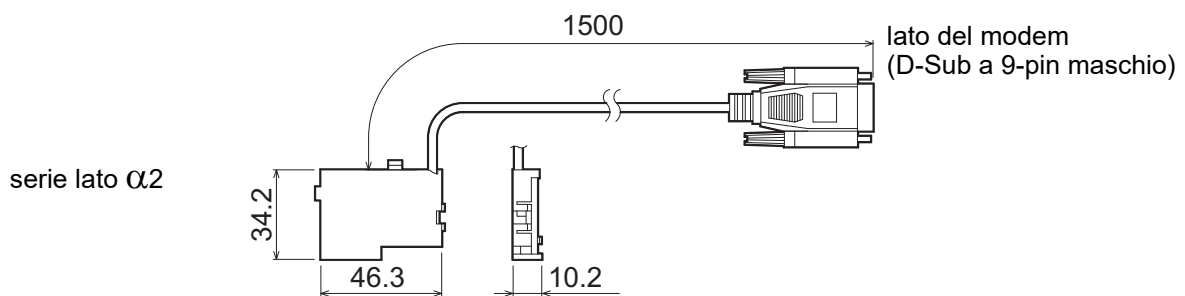
Nota:

- Questo cavo non può essere usato per altre applicazioni.
- Questo cavo non deve essere collegato ai controllori della famiglia $\alpha 2$ (Model: AL2-14MR-*,AL2-24MR-*).
- Comunicazione simultanea fra le due port dello serie di controllore $\alpha 2$ può verificarsi in un programma danneggiato o in caso di funzionamento errato del controllore.

8.1.1 Misure d'ingombro

Illustrazione 8.1: Misure d'ingombro

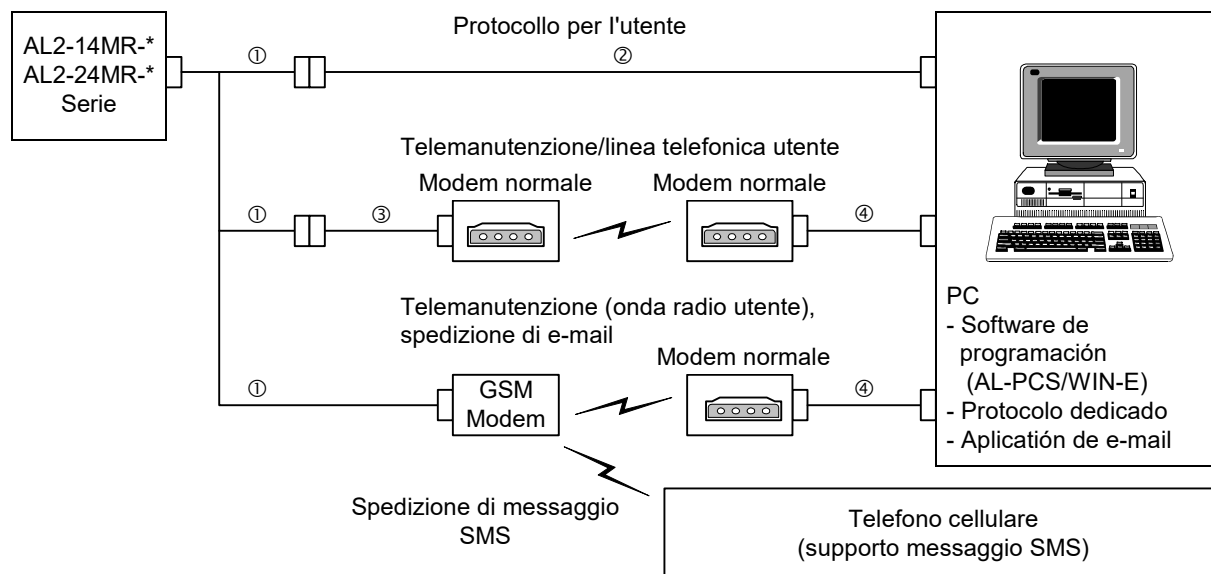
Dimensioni: *mm*



ITL

8.1.2 Configurazione del sistema con l'uso di AL2-GSM-CAB

Illustrazione 8.2: Configurazione del sistema con l'uso di AL2-GSM-CAB

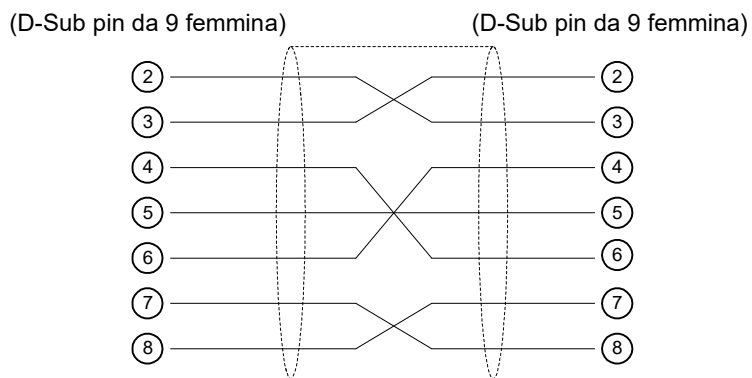


Cambiamento di punti è lo stesso che nell'illustrazione 1.2

Tabella 8.1: Configurazione del sistema con l'uso di AL2-GSM-CAB

Item	Cavo da usare
1	AL2-GSM-CAB
2	cavo incrociato RS-232C (vedi illustrazione 8.3)
3	cavo dritto RS-232C per il modem (vedi illustrazione 8.5)
4	cavo dritto RS-232C per il modem (specificato dal produttore del modem)

Illustrazione 8.3: Riferimento per cavo incrociato RS-232C



Nota:

I segnali 4 e 7 devono essere settati sull'alto livello sul lato del PC. Se questi segnali non sono settati, non comunicheranno con le serie $\alpha 2$.

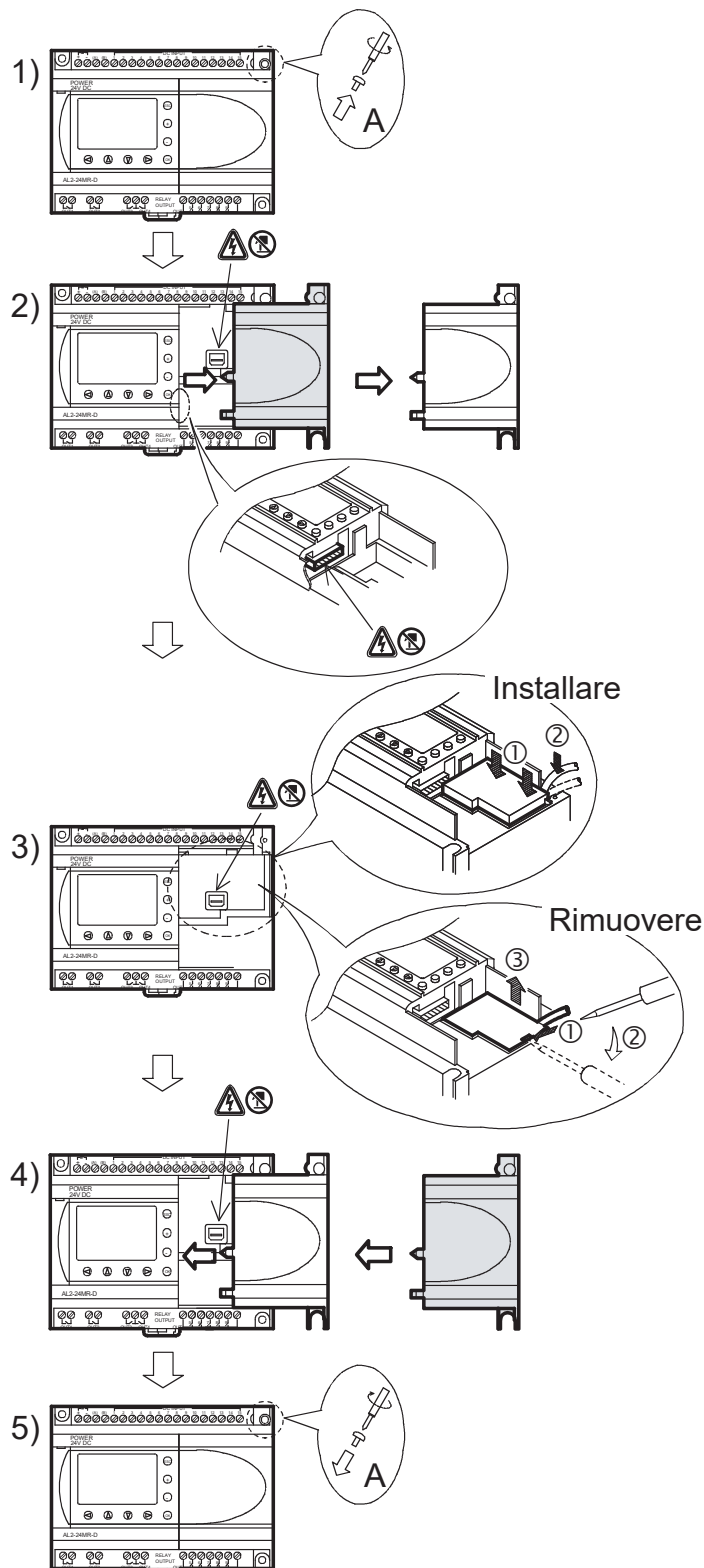
8.2 Installazione

Per l'installazione dello AL2-GSM-CAB attenersi all'illustrazione 8.4.



Attenzione

- Solo persone esperte degli standard elettrici locali e nazionali possono installare o togliere lo AL2-GSM-CAB.
- Per installare o togliere lo AL2-GSM-CAB staccare la corrente.
- Rimontare il coperchio dopo ciascun intervento di installazione o rimozione del AL2-GSM-CAB.
- In nessun caso la Mitsubishi Electric si assumerà responsabilità per danni dovuti all'installazione o all'uso di questo equipaggiamento.
- Non tirare lo spago.
Se lo spago è tirato, il cavo si può danneggiare.
- Nella comunicazione via modem GSM per le serie $\alpha 2$, l'alimentazione di entrambe le unità deve essere attivata su ON. Se le unità non vengono attivate simultaneamente, le serie $\alpha 2$ non potranno comunicare via modem GSM.
- Prima di rimuovere il coperchio, disinserire tutti i terminali dall'alimentazione.

Illustrazione 8.4: Installation

8.3 Manutenzione remota con un modem

Ulteriori informazioni sul modo di procedere per il setup del modem si trovano nel manuale di programmazione $\alpha 2$. Il software di programmazione (AL-PCS/WIN-E) garantisce il metodo più facile per il setup del modem.

8.3.1 Modem consigliati

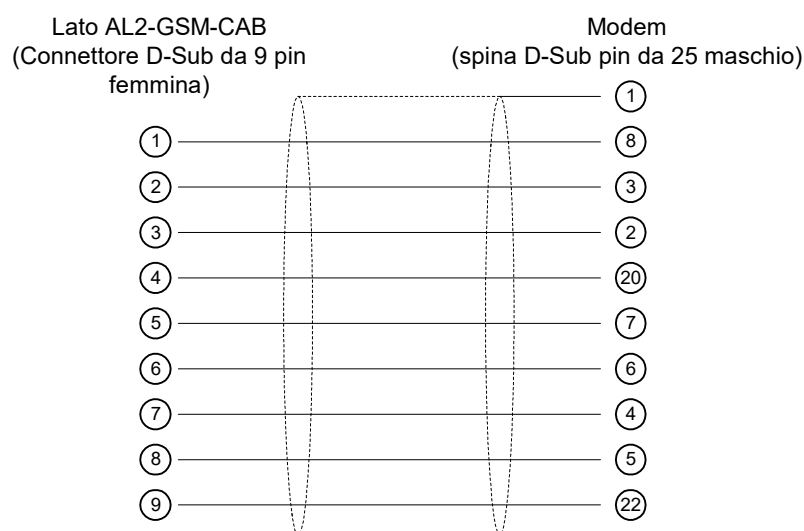
I seguenti modem sono stati testati con successo.

Tabella 8.2: Modem testati

Nome del produttore	Nome del modello	Comando del modem (comando AT)
3com	SP560V-P	ATE0Q1&B1&D0H0&I0&R1&S0S0=2S15=8&W
OMRON	ME3314	ATE0S0=2Q1&D0S15=8&R1&H0&W
AIWA	PV-AF3360	ATE0S0=2Q1&D0&M5\Q0\J0&W
Siemens	M20T	ATE0S0=2&S0;+IFC=0,0;+CMEE=1;+IPR=9600&W

8.3.2 Cavo dritto RS-232C fra modem e AL2-GSM-CAB

Illustrazione 8.5: Cavo dritto RS-232C riferimento fra Modem e AL2-GSM-CAB



ITL

8.3.3 Regolazione del modem

1) Regolazione del lato PC

Installare il file per la regolazione del collegamento nel modem.

2) Settaggio del modem serie $\alpha 2$

Il modem sul lato serie $\alpha 2$ è regolato dal comando ModemInit dell'unità principale.

a) Riguardo al comando del modem (comando AT)

Usare il comando AT per inizializzare il. Confermare i dettagli del comando AT nel manuale del modem usato. I comandi AT devono essere stati preparati per scegliere i modem nella tabella 8.4 (Modem normale) e 8.5 (GSM modem) in basso.

Tabella 8.3: Modem testati

Nome del produttore	Nome del modello	Nome del modello Comando del modem (comando AT)
3com	SP560V-P	ATE0Q1&B1&D0H0&I0&R1&S0S0=2S15=8&W
OMRON	ME3314	ATE0S0=2Q1&D0S15=8&R1&H0&W
AIWA	PV-AF3360	ATE0S0=2Q1&D0&M5\Q0\J0&W
Siemens	M20T	ATE0S0=2&S0;+IFC=0,0;+CMEE=1;+IPR=9600&W

Ulteriori informazioni sul metodo per inizializzare un modem, le si trovano nel manuale di programmazione $\alpha 2$.

Se vengono usati modem non elencati nella tabella in alto, regolare il comando AT per soddisfare i seguenti requisiti.

Tabella 8.4: AT Comando per modem (Modem normale)

Setting di regolazione	Contenuto della regolazione	Esempio di regolazione		
		SP560V-P	ME3314	PV-AF3360
regolazione eco di comando	nessuno	E0	E0	E0
frequenza di chiamata di auto-risposta	doppio	S0=2	S0=2	S0=2
codice di risultato visualizzato	nessuno	Q1	Q1	Q1
controllo DTR	sempre on	&D0	&D0	&D0
controllo DSR	sempre on	&S0		
modo di comunicazione	modo V.24bis	S15=8	S15=8	&M5
velocità di dimensione fissa di terminal	fissa	&B1	\J0	
schema di controllo flusso terminal	nessuno	-&R1	\Q0	
controllo flusso dati di trasmissione	nessuno	&H0	&H0	-
controllo flusso di dati ricevuti (software)	nessuno	&I0		
controllo flusso dati ricevuti (controllo RTS)	nessuno	&R1		
scrittura nella memoria volatile	scrittura nella memoria non volatile	&W	&W	&W

Tabella 8.5: Comando AT per modem GSM

Setting di regolazione	Contenuto della regolazione	Esempio di regolazione
		M20T
attivare eco di comando	modo eco OFF	E0
regolare il numero di squilli prima che segua la risposta automatica alla chiamata	attivare risposta automatica allo squillo doppiamente	S0=2
regolare il modo di funzionamento set circuito di dati pronto (DSR)	DSR sempre ON	&S0
regolare controllo flusso dati locali TE-TA	<ul style="list-style-type: none"> specifica il metodo che verrà usato da TE se i dati vengono ricevuti da TA: nessuno specifica il metodo che verrà usato da TA se vengono ricevuti dati da TE:nessuno 	+IFC=0,0
riferisce errore dotazione mobile	attiva il codice del risultato e usa il valore numerico	+CMEE=1
regola la rate locale fissa	Baud rate: 9600 bps	+IPR=9600
regola il modo di funzionamento rilevamento portante di dati di circuito *1 (DCD)	la linea DCD è ON solo alla presenza della portante dei dati	&C1
seleziona il tipo di servizio di supporto *1	9600 bps (V.32) , modem asincrono, non trasparente	+CBST=7,0,1
memorizza parametro corrente per usare profilo definito	il profilo dell'utente è memorizzato nella memoria non volatile	&W

*1 Nel caso del Siemens M20T, queste regolazioni non sono necessarie in quanto esse sono regolazioni default. Se si usano altri modem GSM, può essere che queste regolazioni siano necessarie.

b) Durata dell'inizializzazione del modem durante lo startup del sistema.

Nel controllore $\alpha 2$, questa è una funzione per ritardare la trasmissione del comando modem (comando AT), per inizializzare il modem dalla unità principale, al momento della partenza. Il ritardo può oscillare fra 0 e 10 secondi. Questo comando può essere utile per assicurare che il comando AT è trasmesso correttamente, se la partenza del controllore $\alpha 2$ è più veloce della partenza del modem.

Ulteriori informazioni delle operazioni modem sono reperibili nel manuale di programmazione $\alpha 2$ e nel manuale del software α .

MEMO

9. AL2-ASI-BD (AL2-14MR-*, AL2-24MR-*)

La scheda di interfaccia sensori attuatori AL2-ASI-BD viene utilizzata insieme ad un controllore delle serie $\alpha 2$ per la comunicazione dati tramite una rete AS (interfaccia AS = Actuator Sensor).

Ulteriori informazioni si trovano nel manuale di programmazione $\alpha 2$.



Avvertenza

- La cassetta di memoria può essere sostituita unicamente da personale specializzato a conoscenza delle specifiche elettriche locali e nazionali.
- Per installare o rimuovere la cassetta di memoria occorre dapprima disinserire l'alimentazione principale.
- Sostituire il coperchio dopo aver rimosso la cassetta di memoria.
- La Mitsubishi Electric non si assume in alcun caso la responsabilità di danni consequenziali derivanti dall'installazione o dall'impiego dell'equipaggiamento.

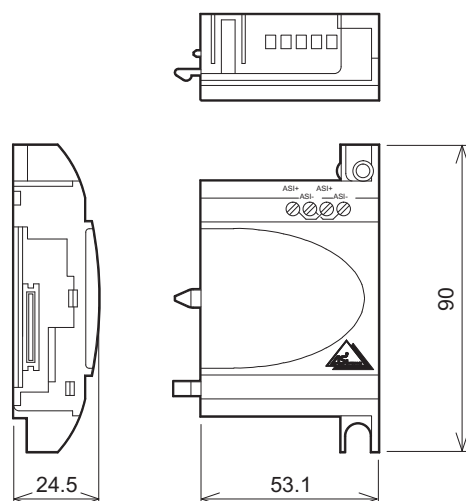
9.1 Introduzione

La scheda AL2-ASI-BD si collega all'unità principale del controllore serie α formando una stazione secondaria per una rete di tipo AS (ingressi 4 punti, uscita 4 punti). Per realizzare una rete ad interfaccia AS si possono collegare sino ad un massimo di 31 slave. L'alimentazione necessaria viene fornita attraverso il bus di interfaccia AS dall'alimentatore dell'interfaccia AS. Il segnale di comunicazione viene sovrapposto tramite l'alimentatore sul bus di interfaccia AS.

9.1.1 Dimensioni esterne

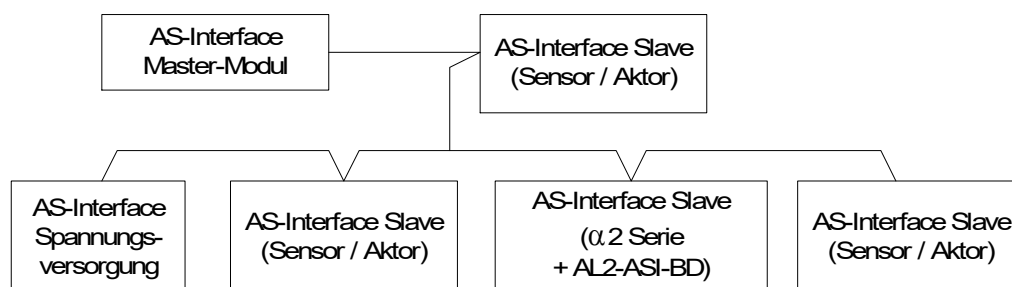
Illustrazione 9.1: Misure d'ingombro

Dimensioni: *mm*



9.1.2 Configurazione del sistema

Illustrazione 9.2: Configurazione del sistema



9.2 Specifiche Tecniche

Per specifiche in generale, riferirsi per favore al capitolo 2.

Tabella 9.1: Specifiche di comunicazione dell'hardware

Posizione	Descrizione
Numero di I/O	4 ingressi (E01-E04) 4 uscite (A01-A04)
Tempo di refresh I/O	Max. 5ms
Distanza rete	Max. 100m
Tensione di alimentazione esterna	Typ. 30,5V DC (alimentatore interfaccia AS)
Consumo di corrente esterna	40 mA o inferiore
Direttiva CE	EMC
Conforme alle norme	ASi

Tabella 9.2: Specifiche di comunicazione del software

Posizione	Descrizione
Numero di stazioni	Impostato dalla stazione primaria (impostazione di fabbrica 0)
Codice di I/O	7
Codice di I/D	F
Bit dati	D0 - D3 ingresso uscita 01 - 04 (E01 - E04, A01 - A04)
Bit parametri	P0 Da monitor di comunicazione (impostata per default) ^{*1}
	P1,P2,P3 Non utilizzato
Bit sistema	M6 "ON" se si verifica errore di comunicazione di interfaccia AS
	M7 "ON" se si verifica errore di comunicazione per mancanza di corrente di interfaccia AS
Bit control	N1 ON: scollegare dalla rete dell'interfaccia AS OFF: collegare alla rete dell'interfaccia AS

*1 Funzione per resettare il segnale di ingresso quando la comunicazione dell'interfaccia AS è disattivata per 70 ms ed oltre.

9.3 Cablaggio e Installazione

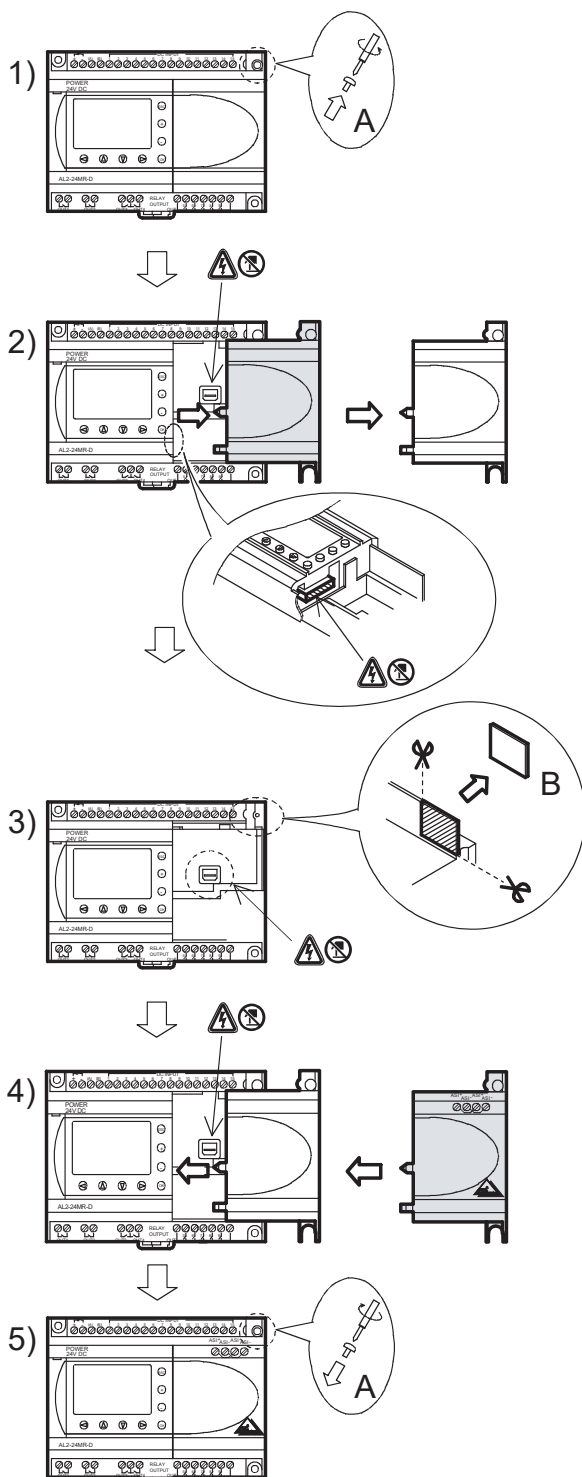
9.3.1 Installazione



Attenzione

Prima di rimuovere il coperchio, disinserire tutti i terminali dall'alimentazione.

Illustrazione 9.3: Installazione



- 1) Rimuovere la vite 'A' e conservarla.
- 2) Rimuovere con cautela la mascherina della porta di espansione montata in fabbrica.
- 3) Tagliare la sezione 'B' dell'unità base del controllore della serie $\alpha 2$.
- 4) Collocare la scheda AL2-ASI-BD sull'unità base.
- 5) Applicare di nuovo la vite 'A' e serrarla con una coppia di 0,4 N·m.

: Pericolo di scossa elettrica.

: Non toccare le parti conduttive direttamente.

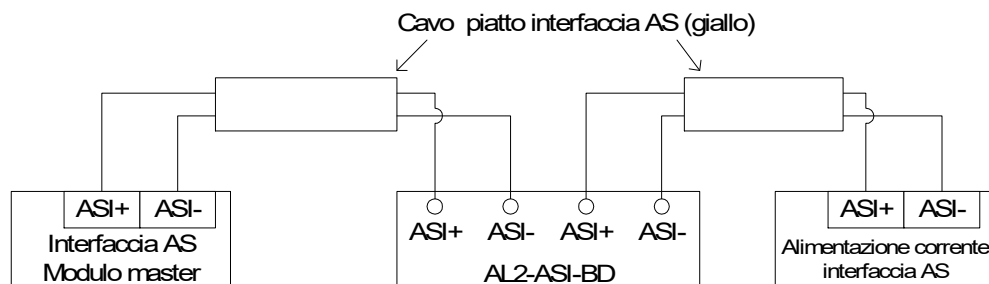
ITL

9.3.2 Allacciamento elettrico



Usare il cavo piatto per interfaccia AS (giallo) per collegare AL2-ASI-BD alla rete. Quando si collega il cavo dell'interfaccia AS al modulo, serrare le viti del pin di comunicazione con una coppia pari a 0,5 - 0,6 N·m.

Illustrazione 9.4: Allacciamento elettrico



9.4 Impostazione dell'indirizzo secondario e diagnosi

9.4.1 Impostazione dell'indirizzo secondario

Un indirizzo secondario può essere impostato in due modi, ovvero tramite la scheda primaria dell'interfaccia AS oppure con un dispositivo di programmazione. Quando viene aggiunta una nuova stazione al bus di interfaccia AS, la scheda primaria assegnerà l'indirizzo libero più basso.

Gli indirizzi secondari sono compresi in un range tra 1 e 31 e possono essere assegnati soltanto ad una scheda con indirizzo iniziale 0 (zero). Prima della spedizione, le nuove schede vengono preimpostate su 0. Se una scheda è stata precedentemente assegnata ad un indirizzo diverso da 0, prima di poterla aggiungere alla rete dovrà essere impostata sullo zero.

Alla rete si possono aggiungere molti moduli alla volta; tutti, eccetto uno, devono essere impostati come moduli passivi (imposta N1=1). Una volta accesa la rete, i moduli possono essere attivati singolarmente (cambia N1=0) dove il network master assegnerà il numero di stazione.

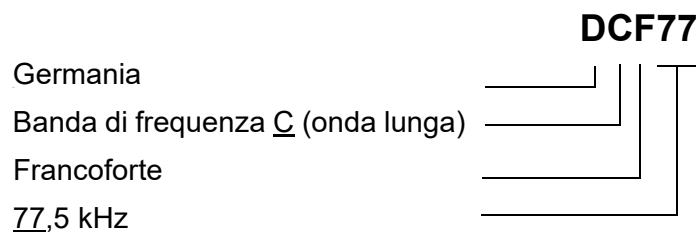
Le stazioni devono essere aggiunte alla rete una per volta. In questo caso, la rete deve essere disinserita prima di effettuare qualsiasi aggiunta. Per maggiori dettagli su come modificare il numero di stazioni da una scheda primaria di interfaccia AS, consultare il manuale delle schede primarie di interfaccia AS.

9.4.2 Controlli di errore applicabili:

- 1) Se si verifica un errore di comunicazione (M6):
 - controllare i collegamenti con la scheda primaria di interfaccia AS e che il numero della stazione secondaria sia corretto.
- 2) Se si verifica un errore di alimentazione comunicazione (M7):
 - controllare il collegamento del cavo del bus di interfaccia AS su ogni unità connessa, l'alimentatore dell'interfaccia AS ed il relativo funzionamento.

10. Orologio radio DCF77

Con la funzione DCF77 l'orologio integrato del comando $\alpha 2$ è regolato automaticamente. Allo scopo vengono ricevuti e decodificati segnali che vengono emessi da una stazione vicino a Francoforte sul Meno, sulla frequenza 77,5 kHz. La sigla breve "DCF77" sta per:



10.1 Sommario

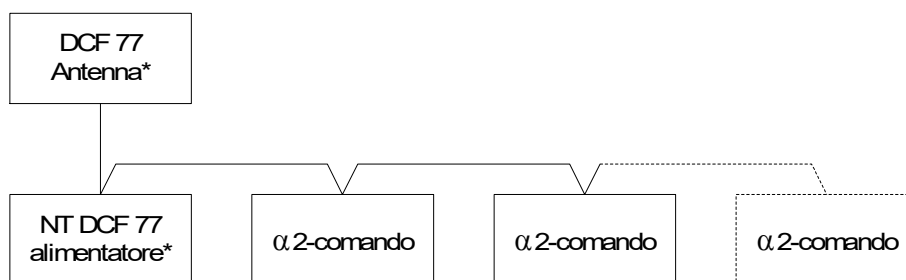
Tabella 10.1: Radio orologio

Caratteristiche	Descrizione
Sede della stazione di trasmissione	Mainflingen, 25 km al sud di Francoforte sul Meno
Frequenza	77,5 kHz
Portata	2000 km
Codificazione	BCD (cifra decimale binaria codificata)
Dati da trasmettere	minuti, ore, data (giorno, mese, anno), giorno della settimana
Periodo di trasmissione	24 ore al giorno

Fino al 59esimo secondo, l'ampiezza dell'onda portante all'inizio di ogni secondo per la durata di 100 ms (binario:0) o 200 ms (binario:1) viene ridotta al 25%.

10.2 Configurazione del sistema

Illustrazione 10.1:



* fabbricante: Theben AG

Unitamente al comando $\alpha 2$ un'antenna DCF77 della ditta Theben ed almeno un alimentatore di rete Theben per l'alimentazione di tensione dell'antenna. Il decodificatore del comando $\alpha 2$ rileva solo segnali di un'antenna DCF77 della ditta Theben.

L'alimentatore di rete alimenta l'antenna con una tensione uniforme di 12 V. Solo un alimentatore di rete della ditta Theben deve essere usato per l'alimentazione di tensione e la messa a disposizione dei segnali DCF77.

Ad un'antenna/alimentatore di rete possono essere collegati fino a 10 comandi $\alpha 2$.

10.3 Dati tecnici

I dati tecnici generali si trovano nel capitolo 2.

Tabella 10.2: Antenna Theben DCF77

Caratteristiche	Descrizione
Definizione	Antenna DCF77 907 0 243
Temperatura ambientale	Da -20 a 70 °C
Tipo di protezione	IP 54
Sensibilità	100 $\mu\text{V}/\text{m}$
Area ricezione	circa 1000 km nel circondario di Francoforte sul Meno
Lunghezza della linea di collegamento	al massimo 200 m
Polarità	nessuna

**Attenzione**

- Per evitare interferenze dovute ad apparecchi esterni, non installare l'antenna Theben DCF77 vicino a televisori, PC o centraline telefoniche.

Tabella 10.3: Alimentatore Theben

Caratteristiche	Descrizione
Definizione	alimentatore di rete NT DCF 77 907 0 182
Tensione di funzionamento	230 V AC~ +/-10 %
Frequenza	50-60 Hz
Potenza assorbita	al massimo 3 VA
Lunghezza della linea di alimentazione dalla rete	al massimo 200 m (linea a due fili)
Numero massimo di apparecchi collegabili	10
Classe di protezione	II conf. EN 60335
Tipo di protezione	IP20 conf. EN 60529

Tabella 10.4: Versioni utilizzabili

CP e software di programma	Versione utilizzabile
Comando $\alpha 2$ (solo versione DC)	V2.00 o superiore
Software VLS	V2.30 o superiore

ITL

**Attenzione**

- Un comando $\alpha 2$, che viene collegato a ed alimentato direttamente da una tensione alternata, non può essere utilizzato per l'elaborazione dei segnali DCF77
- I segnali DCF77 possono essere collegati per la decodificazione solo agli ingressi analogici di un comando $\alpha 2$ con alimentazione di tensione uniforme.

Tabella 10.5: Bits di sistema usati

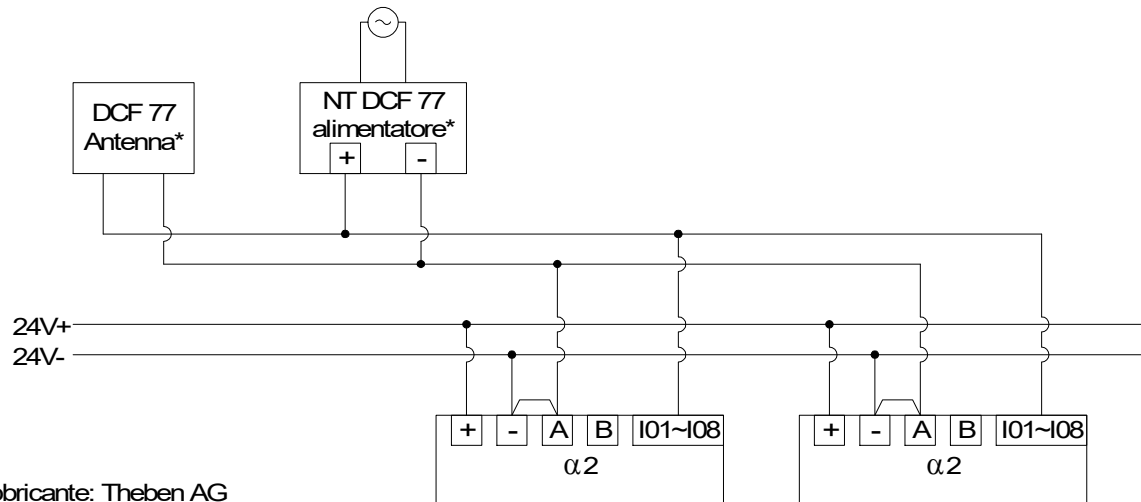
Posizione	Descrizione	
Bits di sistema	M10	Viene settato durante la decodificazione dei segnali DCF77
	M11	Per collegamento senza errori dei segnali della DCF77-questo bit di sistema viene settato come impulso.
	M15	Se nella decodificazione dei segnali DCF77 si è verificato un errore, viene settato questo bit di sistema.

Maggiori particolari per la programmazione si trovano nelle istruzioni di programmazione del comando $\alpha 2$.

10.4 Collegamento

10.4.1 Cablaggio

Illustrazione 10.2: Collegamento dell'antenna DCF77 e dell'alimentatore di rete



Il comando $\alpha 2$ deve essere cablato nella configurazione "Source" (sorgente). Per un altro collegamento i segnali DCF77 sugli ingressi analogici non vengono rilevati e decodificati.

Tabella 10.6: Condizioni necessarie per il collegamento

Posizione	Descrizione
Ingressi utilizzabili del comando $\alpha 2$ per i segnali d'antenna	AL2-10MR-D: I01 - I06 AL2-14MR-D, AL2-24MR-D: I01 - I08
Numero dei comandi $\alpha 2$ per ogni antenna DCF77	10
Lunghezza massima della linea fino all'antenna	200 m

10.4.2 Impostazione di DCF77 dal display $\alpha 2$

1) Dal menu principale, selezionate "Set ora" e premete il tasto "OK". Tra le opzioni che appaiono, selezionate "Orol.radio" e premete il tasto "OK". Se Orol.Radio non è attivato, appare solamente un'opzione. Selezionate "Orol.radio" e premete il tasto "OK".

```
Orol . radio
» Orol . radio
```

2) Tra le opzioni che appaiono, selezionate "DCF77" e premete il tasto "OK".

```
Orol . radio
» Non Usato
   DCF77
```

3) Selezionate l'ingresso analogico $\alpha 2$ (I01-I08) che acquisisce il segnale dell'antenna di DCF77. Altre opzioni appariranno nel menu "Orol.radio". Selezionate "Ingresso" e premete il tasto "OK". *1

```
Orol . radio
   Orol . radio
» Ingresso
   diff . tempo
```

4) Inserite l'ingresso analogico $\alpha 2$ (I01-I08) con i pulsanti + e -, quindi premete il tasto "OK".

```
Orol . radio
   Ingresso
       I01
```

5) Impostate la differenza di fuso orario tra Francoforte in Germania e la posizione del controllore. Il valore viene sommato all'ora ricevuta. Selezionate "diff.tempo" e premete il tasto "OK".

```
Orol . radio
   Orol . radio
   Ingresso
» diff . tempo
```

6) Selezionate la differenza di fuso orario ad incrementi di 30 minuti con i pulsanti + e -. Premete il tasto "OK" per selezionare l'attuale differenza di fuso orario.

```
Orol . radio
   diff . tempo
       0.0hrs
```

7) La decodifica del segnale dell'ora può essere interrotta o avviata manualmente. Selezionate "Manuale" e premete il tasto "OK".

```
Orol . radio
   Ingresso
   diff . tempo
» Manuale
```

8) Premete il tasto "OK" oppure "ESC" per eseguire o annullare l'operazione.

```
Manuale
   Stop Act .

OK o ESC
```

Nota:

*1 Se il segnale non viene ricevuto e decodificato correttamente, il controllore $\alpha 2$ alternerà la visualizzazione tra "No segnale" e "Orol.radio".

10.4.3 Avviamento automatico

La fase di decodifica della radiosveglia DCF77 si avvierà automaticamente se sono soddisfatte le seguenti condizioni:

- 1) L'orologio in tempo reale (RTC) di $\alpha 2$ raggiunge l'1.00.
- 2) L'orologio in tempo reale (RTC) di $\alpha 2$ fornisce un errore all'avviamento del controllore.

10.4.4 Spegnimento automatico

La fase di decodifica della radiosveglia DCF77 si spegnerà automaticamente se sono soddisfatte le seguenti condizioni:

- 1) L'orologio in tempo reale (RTC) di $\alpha 2$ è stato configurato correttamente ed è stata ricevuta un'ora valida.
- 2) Non è stata ricevuta un'ora valida in 30 minuti di tentativi.

10.4.5 Verifica dell'ora ricevuta

La validità dell'ora decodificata ricevuta dalla radiosveglia DCF77 viene controllata secondo i tre seguenti criteri:

- 1) Controllo di parità – Il frame dati del codice ora di DCF77 è protetto da 3 bit (pari) di parità. Il primo bit di parità protegge i minuti, il secondo l'ora ed il terzo il giorno, il giorno della settimana, il mese e l'anno.
- 2) Controllo valore dati:
 - a) $0 \leq \text{minuti} \leq 59$
 - b) $0 \leq \text{ore} \leq 23$
 - c) $1 \leq \text{giorni} \leq 31$
 - d) $1 \leq \text{mese} \leq 12$
 - e) $0 \leq \text{anno} \leq 59$
- 3) Controllo differenza di ora - La differenza tra due frame ora ricevuti deve essere uguale a 1 minuto, quindi viene confrontata l'ora totale (in minuti da 1990/01/01) di ogni frame ora.



Avvertenza

- Se "Start Act." viene utilizzato per avviare manualmente la decodifica di DCF77, l'utente deve verificare lo stato di M10 (flag attiva di decodifica) 30 minuti dopo l'avviamento della decodifica. Se M10 è disattivata, la decodifica di DCF77 è stata completata senza errori. Se M10 è ancora attivata, si è verificato un problema di cablaggio oppure di disponibilità del segnale nel luogo d'uso. L'utente deve verificare entrambe le possibili cause.

11. AL2-2DA (AL2-14MR-*, AL2-24MR-*)

Il modulo di uscita analogico AL2-2DA viene utilizzato insieme ad un microcontrollore $\alpha 2$, per emettere di volta in volta su due uscite una tensione o una corrente.

Altre informazioni si trovano nelle istruzioni per la programmazione del microcontrollore $\alpha 2$ e nelle istruzioni per l'installazione del modulo di uscita analogico AL2-2DA.



Attenzione

- Solo personale con istruzione specializzata e che conosce bene gli standard di sicurezza locali e nazionali della tecnica di automazione deve effettuare il cablaggio elettrico degli apparecchi.
- Il microcontrollore $\alpha 2$ non è stato sviluppato per applicazioni salva-vita o autosorveglianti.
- MITSUBISHI ELECTRIC non si assume in nessun caso la garanzia o la responsabilità di un danno provocato da un'installazione scorretta o da un'applicazione scorretta degli apparecchi o degli accessori.
- Fare attenzione ad eseguire una installazione corretta dello AL2-2DA con il microcontrollore $\alpha 2$, per evitare funzioni errate.

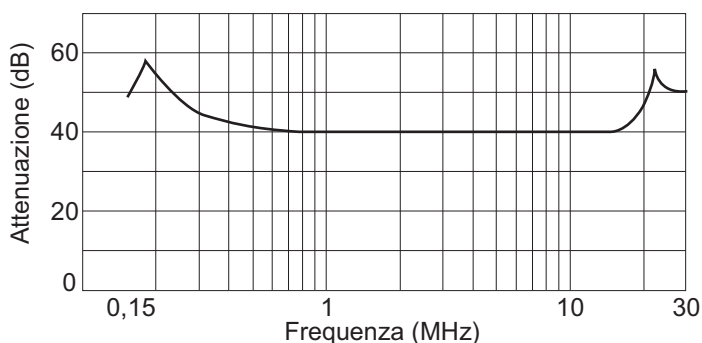


Avvertenza EMC

Il modulo analogico Mitsubishi Electric serie $\alpha 2$ è stato dichiarato conforme alle suddette norme e direttive europee. Tuttavia, per ottenere le massime prestazioni da dispositivi di controllo e misurazione estremamente delicati, la Mitsubishi Electric intende segnalare quanto segue:

- In seguito alla loro sensibilità, l'uso dei moduli analogici deve essere considerato con cura. Gli utenti che dispongono di cavi propri (integrati con sensori o attuatori) devono seguire attentamente i requisiti di installazione indicati dai rispettivi produttori.
- La Mitsubishi Electric raccomanda l'uso di cavi schermati. Se NON vi sono altre forme di protezione EMC, gli utenti possono riscontrare errori temporanei inferiori al 10% nelle aree industriali. Tuttavia, la Mitsubishi Electric fa presente che, adottando protezioni EMC adeguate per il sistema di controllo completo, gli utenti possono aspettarsi i normali errori specificati nei manuali dei prodotti.
- Installare un filtro per le interferenze di disturbo sul cavo di alimentazione elettrica. I test EMC di Mitsubishi sono stati eseguiti su un filtro con caratteristiche di attenuazione in modalità comune (illustrazione 11.1) della media di 50 dB in un campo di frequenze da 150 kHz a 2 MHz.

Illustrazione 11.1: Caratteristiche di attenuazione del filtro anti-interferenze



11.1 Sommario

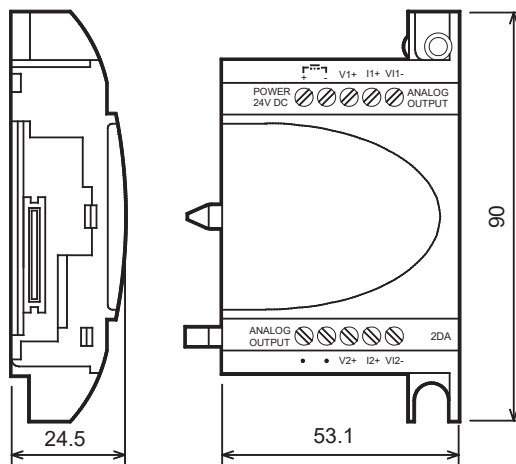
Il modulo analogico di uscita AL2-2DA (di seguito denominato "AL2-2DA") deve essere installato su un controllore ed utilizzato per convertire un valore digitale in un segnale analogico di uscita di tensione (0-10 V) oppure corrente (4-20 mA).

Lo AL2-2DA può essere utilizzato unitamente al blocco di funzione "uscita analogica" (UA) del controllore $\alpha 2$. Maggiori dettagli si trovano nella istruzione per la programmazione del controllore $\alpha 2$.

11.1.1 Dimensioni esterne

Illustrazione 11.2: Dimensioni esterne

unità: mm



11.1.2 Configurazione del sistema

I dati tecnici generali si trovano nel capitolo 2.

Tabella 11.1: Versioni utilizzabili

CP e software di programmazione	Versioni utilizzabili
AL2-14MR-*, AL2-24MR-*	V2.00 o superiore
Software VLS	V2.30 o superiore



Nota

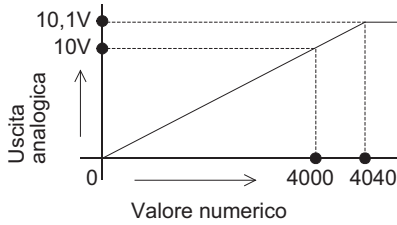
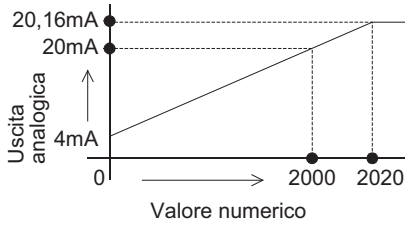
- 1) Ad un comando $\alpha 2$ può essere collegato solo un AL2-2DA e solo un modulo di ampliamento può essere fatto funzionare con l'apparecchio di base.
- 2) Lo AL2-2DA non può essere fatto funzionare insieme ad un AL2-4EX-A2, AL2-4EX, AL2-ASI-BD, AL2-4EYR o AL2-4EYT
- 3) Lo AL2-2DA non può essere collegato ad un controllore α .

11.2 Dati tecnici

Tabella 11.2: Tensione di Alimentazione

Caratteristiche	Descrizione
Alimentazione interna di tensione	Mediante l'apparecchio base $\alpha 2$
Alimentazione delle uscite analogiche	24 V DC (+20 %, -15 %)
Consumo massimo di corrente	1,5 W
Fusibile <Rating>/<Tipo>	86 V DC 1,6 A / Flusso in ingresso-resistenza

Tabella 11.3: Dati tecnici dell'hardware

Caratteristiche	Dati tecnici	
	Tensione	Corrente
Range dell'uscita analogica	0 -10 V DC (carico esterno: 5 k Ω - 1 M Ω)	4 - 20 mA (carico esterno: < 500 Ω)
Ingresso digitale	0-4000	0-2000
Risoluzione	2,5 mV (10 V / 4000)	8 μ A ((20 - 4) mA / 2000)
Precisione	+/- 1% per tutta la zona (0 - 10 V: +/- 0,1V)	+/- 1% per tutta la zona (4 - 20 mA: +/- 0,16 mA)
Tempo per la conversione	20 ms (10 ms x 2 canali)	
Isolamento	con optoisolatore	
Caratteristica di trasformazione		



Nota

- 1) Con una resistenza di carico esterna di 5 k Ω - 1 M Ω , la precisione è del "+/- 1 %". (Il carico esterno predefinito è 10 k Ω)
Se la resistenza del carico è inferiore a 5 k Ω , la tensione di uscita diventa più piccola del valore corretto.
- 2) Per l'emissione di una corrente, la resistenza di carico non deve superare 500 Ω . Se il valore della resistenza di carico supera 500 Ω , la corrente d'uscita è inferiore al valore corretto..

Tabella 11.4: Bit di sistema usati

Posizione	Descrizione	
Bit di sistema	M16	Il bit di sistema M16 viene settato se la tensione esterna di alimentazione del AL2-2DA è inserita.

11.3 Installazione e cablaggio

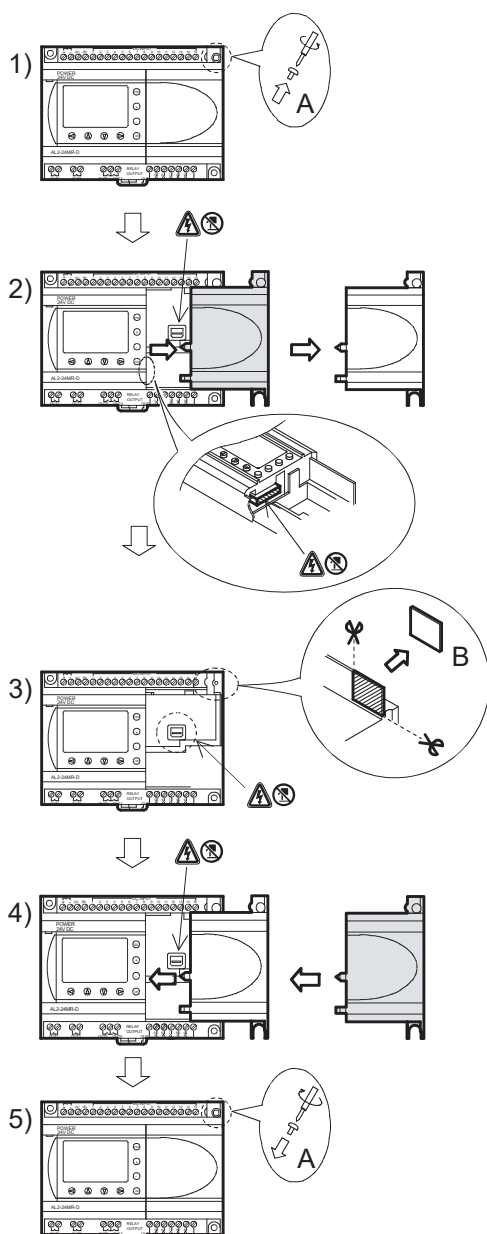
11.3.1 Installazione



Attenzione

- Prima di installare lo AL2-2DA, disinserire la tensione di alimentazione del comando.
- Non installare il comando in zone dove è esposto ai seguenti influssi ambientali: eccessiva polvere, polveri conduttive, gas corrosivi o infiammanti, umidità o pioggia, calore eccessivo, scosse continue o vibrazioni eccessive.
- Il comando $\alpha 2$ deve essere incassato in un quadro elettrico ad armadio conf. DIN 43880 o in un quadretto di distribuzione.
- Per far raffreddare l'apparecchio fra il lato superiore e quello inferiore del comando $\alpha 2$ e le pareti del quadro elettrico ad armadio lasciare uno spazio libero di almeno 10 mm.

Illustrazione 11.3: Installazione



- 1) Rimuovere la vite "A".
- 2) Rimuovere con cautela il rivestimento della spina di ampliamento.
- 3) Ritagliare la zona B dal modulo base del comando $\alpha 2$.
- 4) Montare il modulo di ampliamento sul supporto del gruppo costruttivo.
- 5) Serrare la vite 'A' con una coppia di 0,4 N·m.

: Pericolo di scossa elettrica.

: Non toccare le parti conduttive direttamente.

11.3.2 Cablaggio



Attenzione

- Prima di eseguire ogni lavoro di cablaggio, disinserire la tensione di alimentazione.
- I segnali delle singole uscite dovrebbero essere fatti passare in cavi separati.
- Per il collegamento utilizzare linee con fili rigidi o flessibili (per collegamento Crimp), che siano accuratamente intrecciati.
Non utilizzare fili flessibili con estremità saldate sul comando $\alpha 2$.
- La lunghezza delle linee per i segnali in uscita non deve superare i 30 m.
- Per evitare un danneggiamento dei fili, avvitare le viti dei morsetti con una coppia di 0,5 fino 0,6 N·m.
- I collegamenti devono essere coperti, per evitare un contatto con parti che conducono tensione.

Illustrazione 11.4: Cablaggio per emissione di una tensione

⚠ Notare: i terminali "+" e "-" non sono reversibili.

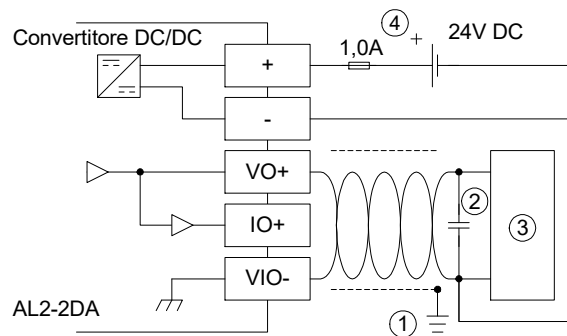


Illustrazione 11.5: Cablaggio per emissione di una corrente

⚠ Notare: i terminali "+" e "-" non sono reversibili.

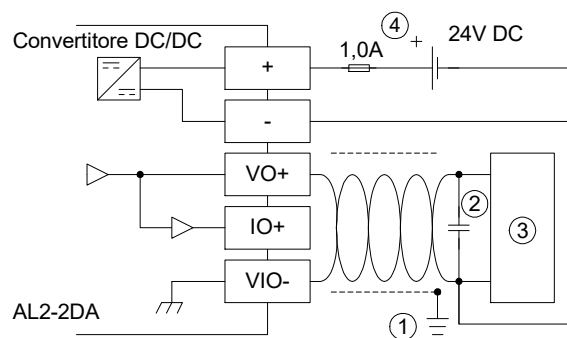


Tabella 11.5: Designazione dei cavi

Item	Description
1	Resistenza di massa uguale o inferiore a 100 Ω
2	In caso di rumore apparente eccessivo, collegate un condensatore da 0,1-0,47 μF
3	Dispositivo esterno come inverter ecc.
4	Alimentazione 24 V DC esterna
5	Dispositivo esterno come registratore ecc.

11.3.3 Diagnosi degli errori

Se si verifica un errore nella alimentazione esterna di tensione (M16):

- Verificare se la tensione di alimentazione è collegata correttamente ai morsetti "+"- e "-" dello AL2-2DA.
- Misurare la tensione di alimentazione collegata. Il modulo AL2-2DA deve essere alimentato con una tensione continua di 24 V.

12. AL2-2PT-ADP

Il modulo di espansione PT100 AL2-2PT-ADP trasforma il segnale di un sensore temperatura PT100 in una tensione di 0 fino 10 V, per l'ulteriore lavorazione nell'apparecchio di base. Altre informazioni si trovano nelle istruzioni per l'installazione dello AL2-2PT-ADP.



Attenzione

- Solo personale competente e che conosce bene gli standard di sicurezza locali e nazionali nell'ambito dell'automazione deve effettuare il cablaggio elettrico degli apparecchi
- Il controllore $\alpha 2$ non è stato sviluppato per applicazioni salva-vita o autosorveglianti.
- MITSUBISHI ELECTRIC non si assume in nessun caso la garanzia o la responsabilità di un danno provocato da un'installazione scorretta o da un'applicazione scorretta degli apparecchi o degli accessori.



Avvertenza EMC

Il modulo analogico Mitsubishi Electric serie $\alpha 2$ è stato dichiarato conforme alle suddette norme e direttive europee. Tuttavia, per ottenere le massime prestazioni da dispositivi di uscita di controllore e misurazione estremamente delicati, Mitsubishi Electric intende segnalare quanto segue:

- In seguito alla loro sensibilità, l'uso dei moduli analogici deve essere considerato con cura. Gli utenti che dispongono di cavi propri (integrati con sensori o attuatori) devono seguire attentamente i requisiti di installazione indicati dai rispettivi produttori.
- Mitsubishi Electric raccomanda l'uso di cavi schermati. Se NON vi sono altre forme di protezione EMC, gli utenti possono riscontrare errori temporanei inferiori al 10% nelle aree industriali. Tuttavia, Mitsubishi Electric fa presente che, adottando protezioni EMC adeguate per il sistema di controllo completo, gli utenti possono aspettarsi i normali errori specificati nei manuali dei prodotti.

12.1 Sommario

Il modulo dell'adattatore PT100 AL2-2PT-ADP trasforma il segnale di un sensore della temperatura PT100 in una tensione di 0 fino 10 V per l'ulteriore lavorazione nell'apparecchio di base.

12.1.1 Dimensioni esterne

Illustrazione 12.1: Dimensioni esterne

unità: mm

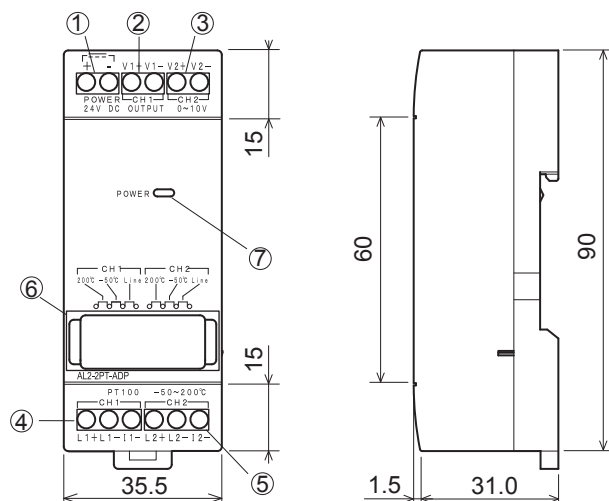
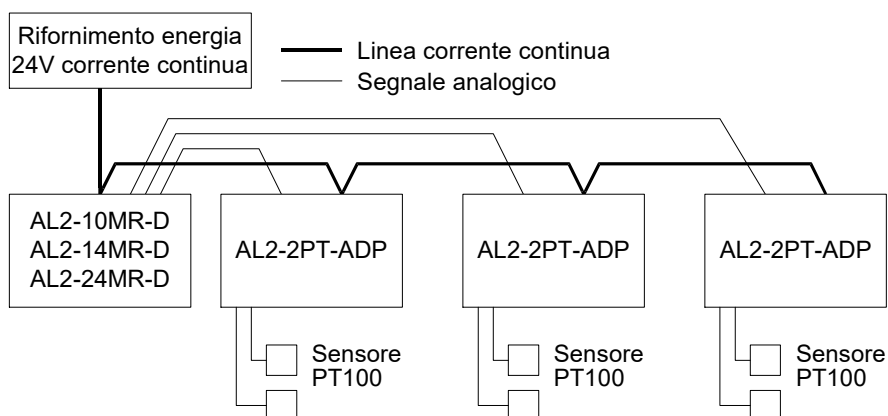


Tabella 12.1:

Item	Description
1	Morsetto di entrata +24 V DC
2	Morsetto di uscita tensione, canale 2
3	Morsetto di uscita tensione, canale 2
4	Termometro di resistenza PT100, canale 1
5	Termometro di resistenza PT100, canale 2
6	Jumper per regolazione del modulo
7	LED della corrente per visualizzare lo stato di prontezza al funzionamento

12.2 Configurazione del sistema

Illustrazione 12.2:



I dati tecnici generali si trovano nel capitolo 2.

Tabella 12.2: Versioni utilizzabili

CP e software di programmazione	Versioni utilizzabili
Comando $\alpha 2$ (solo versione CC)	V2.00 o superiore
Software VLS	V2.30 o superiore



Nota

Lo AL2-2PT-ADP non può essere collegato ad un comando α .

12.3 Dati tecnici

Tabella 12.3: Dati tecnici generali

Caratteristiche	Dati tecnici
Temperatura di funzionamento	(-25) - 55 °C
Temperatura di stoccaggio	(-30) - 70 °C
Umidità dell'aria	35 fino 85 % umidità relativa dell'aria relative senza condensa
Resistenza alle vibrazioni con Montaggio guide DIN	Conforme a IEC 68-2-6; 10 - 57 Hz: 0,075 mm ampiezza costante, 57 - 150 Hz: 9,8 m/s ² di accelerazione, ciclo di deflessione per X, Y, Z: 10 x (80 min. in tutte e 3 le direzioni)
Resistenza agli urti	Conforme a IEC 68-2-27: 147 m/s ² accelerazione per 11 ms, 3 volte in tutte e 3 le direzioni X, Y e Z
Resistenza alla tensione di disturbo	1000 Vpp per 1µs, 30 - 100 Hz, testato con simulatore della tensione di disturbo
Resistenza alla tensione	500 V CA~ per un minuto tra tutti i terminali e la scatola di comando DIN43880 o equivalente.
Resistenza di isolamento	7 MΩ 500 V CC tra tutti i terminali e la cassetta di distribuzione DIN43880 o equivalente.
Condizioni ambientali	Atmosfera priva di gas aggressivi

Tabella 12.4: Tensione di alimentazione

Caratteristiche	Dati tecnici
Tensione di alimentazione	24 V DC (+20 %, -15 %)
Consumo massimo di corrente	1,0 W

Tabella 12.5: Conformità a norme e direttive

Caratteristiche		norma/direttiva
Direttiva CE	EMC	EN61131-2: 2007
Certificazione di UL/cUL		Numero file: E95239

Tabella 12.6: Dati tecnici dello hardware

Caratteristiche	Dati tecnici	
	Gradi Celsius ($^{\circ}\text{C}$)	Gradi Fahrenheit ($^{\circ}\text{F}$)
Sensore della temperatura	Termometro a resistenza al platino PT100 (100 Ω), collegamento a 3 fili, Coefficiente di temperatura: IEC 751	
Zona compensata	-50 $^{\circ}\text{C}$ - 200 $^{\circ}\text{C}$	-58 $^{\circ}\text{F}$ - 392 $^{\circ}\text{F}$
Esattezza	$\pm 1,5\%$ (con tutte le temperature) e $\pm 1,0\%$ a 25 $^{\circ}\text{C}$	$\pm 1,5\%$ (con tutte le temperature) e $\pm 1,0\%$ a 77 $^{\circ}\text{F}$
Risoluzione	0,5 $^{\circ}\text{C}$	
Tempo di trasformazione	20,5 ms	
Isolamento	Nessun isolamento tra canali (ingresso/uscita) ed alimentazione	
Caratteristica di trasformazione		

Tabella 12.7: Bits di sistema usati

Posizione		Descrizione	AL2-10MR-D	AL2-14MR-D AL2-24MR-D
Bit di sistema	M17	Viene settato su I01 con un errore del sensore	✓	✓
	M18	Viene settato su I02 con un errore del sensore	✓	✓
	M19	Viene settato su I03 con un errore del sensore	✓	✓
	M20	Viene settato su I04 con un errore del sensore	✓	✓
	M21	Viene settato su I05 con un errore del sensore	✓	✓
	M22	Viene settato su I06 con un errore del sensore	✓	✓
	M23	Viene settato su I07 con un errore del sensore	—	✓
	M24	Viene settato su I08 con un errore del sensore	—	✓

12.4 Installazione e cablaggio

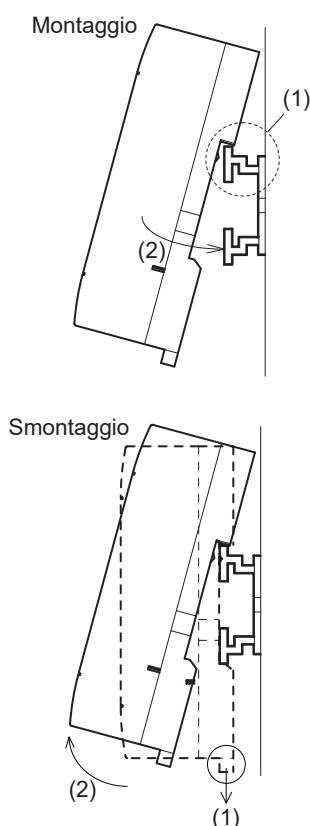
12.4.1 Installazione



Attenzione

- Gli apparecchi non devono essere esposti ai seguenti influssi ambientali: ambienti con un grado elevato di polveri conduttive, corrosione, gas infiammabili, elevata umidità dell'aria, pioggia, raggi diretti del sole, calore eccessivo, forti onde d'urto e vibrazioni.
- I collegamenti devono essere coperti per evitare un contatto con parti che conducono tensione.
- Il $\alpha 2$ comando e lo AL2-2PT-ADP devono essere incassati in un quadro elettrico ad armadio conf. DIN 43880 o in una cassetta di distribuzione. Lo AL2-2PT-ADP deve essere protetto con un rivestimento per evitare che vi penetrino corpi estranei.
- Per il raffreddamento fra la parte superiore e quella inferiore dello AL2-2PT-ADP e degli altri apparecchi si deve mantenere una distanza di almeno 10 mm.
- La distanza massima tra il controllore serie $\alpha 2$ e AL2-2PT-ADP è 3 metri o inferiore.
- La lunghezza massima del cavo di alimentazione è 10 metri.
- Se il sensore si trova in prossimità di un materiale conduttivo, deve essere utilizzato un sensore con isolamento uguale o superiore a 500 V.

Illustrazione 12.3: Installazione



Il modulo può essere montato su una guida DIN (35 mm, DIN EN 50022). Per lo smontaggio tirare la barretta provvista di molla e rimuovere il modulo dalla guida.

- 1) Montaggio
Mettere lo AL2-2PT-ADP con il lato superiore sulla guida (1) e premere il modulo sulla guida (2).
- 2) Smontaggio
Tirare la barretta verso il basso (1) e rimuovere lo AL2-2PT-ADP.

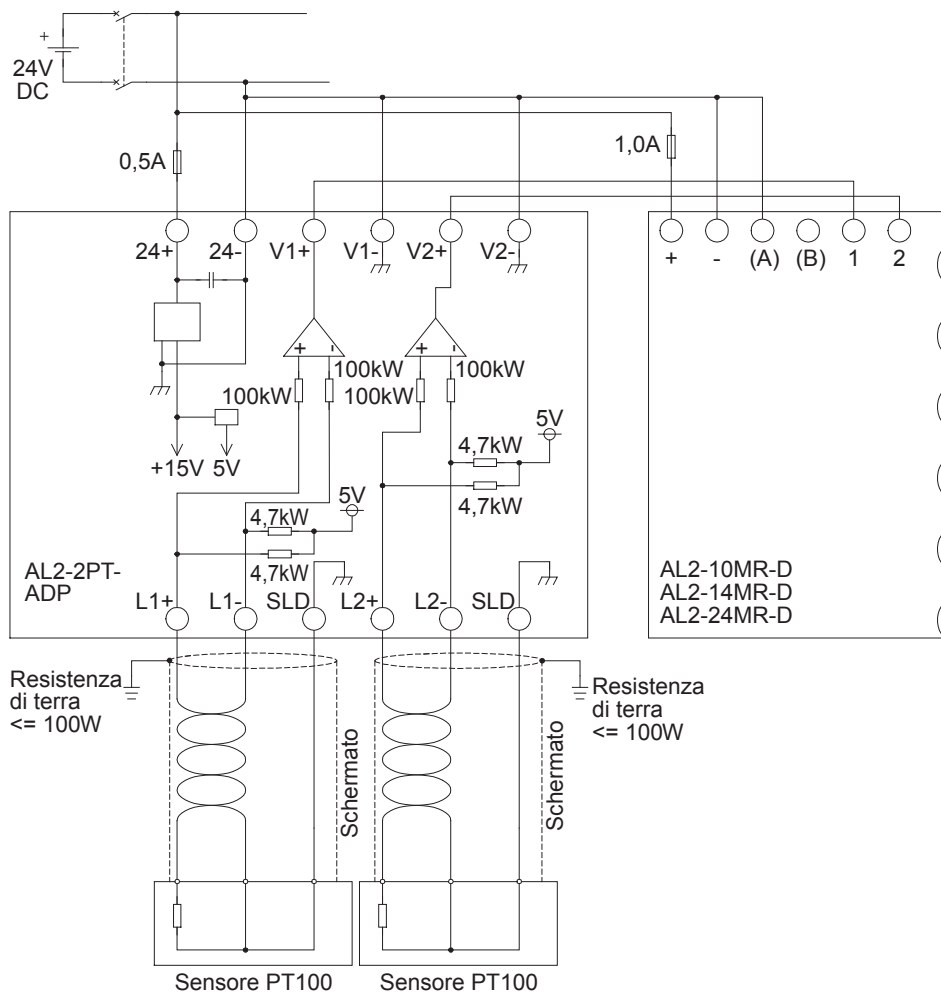
12.4.2 Cablaggio



Attenzione

- Usare un alimentatore isolato e prima di ogni lavoro di cablaggio disinserire la tensione.
- I segnali di ingresso ed uscita non devono essere fatti passare attraverso lo stesso cavo o attraverso lo stesso fascio di cavi.
- La lunghezza delle linee dei segnali di ingresso (dal sensore verso lo AL2-2PT-ADP) non deve superare i 10 m e la lunghezza delle linee dei segnali di uscita non deve superare i 3 m.
- Per il collegamento utilizzare linee con fili rigidi o flessibili (per collegamento Crimp), che siano accuratamente intrecciati. Non collegare fili flessibili con estremità saldate allo AL2-2PT-ADP.
- Serrare le viti dei morsetti con una coppia di 0,5 fino 0,6 Nm, per evitare un danneggiamento dei fili.
- Prima del cablaggio, per regolare offset e amplificazione sullo AL2-2PT-ADP, si deve disinserire la tensione di alimentazione.

Illustrazione 12.4: Collegamento



12.4.3 Scelta dell'unità di misura per la temperatura

- 1) Inserire la tensione di alimentazione del comando $\alpha 2$ e nel menu principale scegliere "Altri".

```

Menuprinc
Set ora
LANGUAGE
»Altri

```

- 2) Nel menu "Altri" scegliere "Ing.Analog".

```

Altri
ComSeriale
Temp.Illum.
»Ing.Analog

```

- 3) Nel menu "Ing.Analog" scegliere "Scala temp.".

```

Ing.Analog
I07
I08
»Scala temp.

```

- 4) Con il tasto Ok scegliere fra "Celsius" e "Fahrenheit"

```

Ing.Analog
Scala temp.
»Celsius
Fahrenheit

```

ITL



L'unità di misura può essere scelta solo per i due canali insieme.



I valori nel menu di calibrazione appaiono indipendentemente dall'unità di misura scelta, in gradi Celsius, dato che anche i contatti dei ponti dei cavallotti dello AL2-2PT-ADP hanno la scritta con questa unità di misura.

12.4.4 Calibrare l'offset

Nota

Se la regolazione del guadagno è stata completata, i punti 3-7 non sono necessari.

- 1) Prima di calibrare il canale 1, disinserire la tensione di alimentazione del comando $\alpha 2$ e dello AL2-2PT-ADP, scollegare il sensore della temperatura e collegare L1- con I1-. L1+ rimane scollegato. I pin tra L1- e I1-. L+1 devono rimanere scollegati.
- 2) Rimuovere la copertura dei cavallotti e innestare i ponticelli sui contatti, contrassegnati con "-50 °C" (vedi illustrazione che segue).

Avvertenza

Il ponticello deve essere installato correttamente, altrimenti non può avvenire il collegamento elettrico.

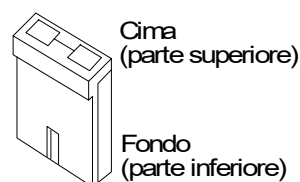
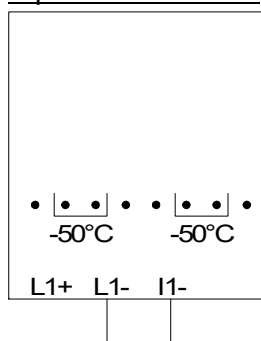
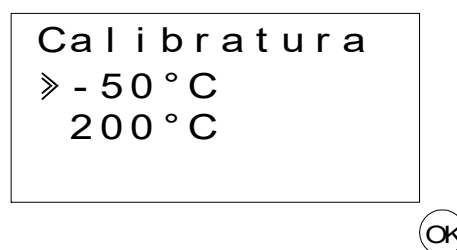


Illustrazione 12.5: Calibrare l'offset nello AL2-2PT-ADP

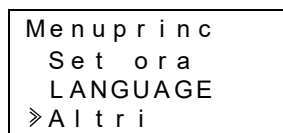
Impostazione hardware



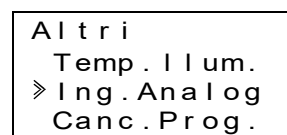
Impostazione controllore



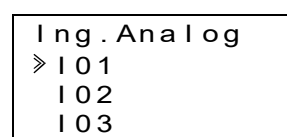
- 3) Attivare il comando e scegliere con CP fermato il menu "Altri".



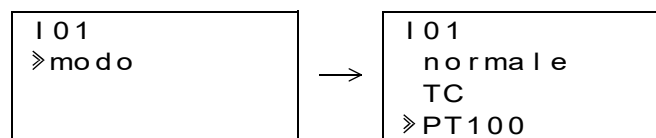
- 4) Nel menu "Altri" scegliere "Ing.Analog".



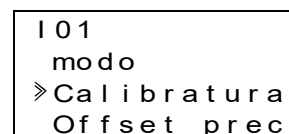
- 5) Scegliere l'ingresso su cui è collegato lo AL2-2PT-ADP.



- 6) Configurare l'ingresso per la misurazione della temperatura con lo AL2-2PT-ADP, scegliendo "Modo" e poi "PT100".



- 7) Dopo la regolazione di "PT100", scegliere "Calibratura" nel menu "Ing.Analog".

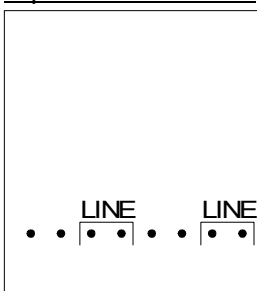


- 8) Scegliere "-50°C" nel menu "Calibratura" (vedi ill. 12.5). Ora sulla visualizzazione dovrebbe comparire la segnalazione "OK". Se non fosse così, attenersi per favore alle istruzioni per la diagnosi degli errori nel cap. 12.4.7. Con ciò la calibratura dell'offset per il canale 1 è terminato. Per calibrare l'offset del canale 2, ripetere le sequenze su elencate, collegare però L2 con I2- e non collegare L2+ a nulla.

Dopo aver calibrato i cavallotti vengono innestati sui contatti "LINE".

Illustrazione 12.6: Posizione dei cavallotti dopo la calibratura

Impostazione hardware



ITL



Dopo aver calibrato l'offset, anche l'amplificazione deve essere calibrata. L'operazione è descritta nel capitolo seguente.

12.4.5 Calibratura dell'amplificazione

Nota

Se la regolazione dell'offset è stata completata, i punti 3-4 non sono necessari.

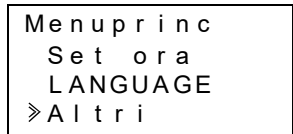
- 1) Prima di calibrare l'amplificazione del canale 1, disinserire la tensione di alimentazione del comando $\alpha 2$ -e dello AL2-2PT-ADP, scollegare il morsetto del sensore della temperatura e collegare L1- con I1-. L1+ non viene collegato. I pin tra L1- e I1-. L+1 devono rimanere scollegati.

- 2) Rimuovere il rivestimento dei cavallotti e innestare i ponticelli come raffigurato nella illustrazione seguente sui contatti contrassegnati con "200 °C".

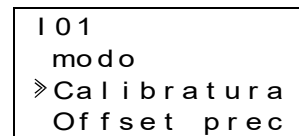
Illustrazione 12.7: Calibratura dell'amplificazione nello AL2-2PT-ADP



- 3) Attivare il comando e con CP fermato scegliere il menu "Altri".

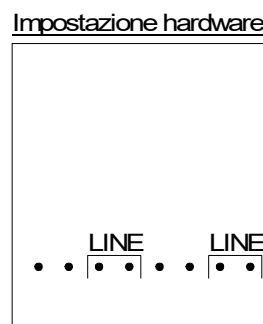


- 4) Dopo aver scelto il modo PT100 (vedi descrizione della calibratura dell'offset), scegliere "Calibratura" nel menu "Ing.Analog".



- 5) Scegliere "200°C" nel menu "Calibratura" (vedi ill. 12.5). Ora sulla visualizzazione dovrebbe comparire la segnalazione "OK". Se non fosse così, attenersi per favore alle istruzioni per la diagnosi degli errori nel cap. 12.4.7. Con ciò la calibratura dell'offset per il canale 1 è terminato. Per calibrare l'offset del canale 2, ripetere le sequenze su elencate, collegare però L2 con I2- e non collegare L2+ a nulla. Dopo aver calibrato i cavallotti vengono innestati sui contatti "LINE".

Illustrazione 12.8: Posizione dei cavallotti dopo la calibratura



Per una calibratura dell'amplificazione, anche l'offset deve essere calibrato. Questa operazione è descritta nel capitolo 12.4.4.

12.4.6 Calibratura di precisione dell'offset



La calibratura di precisione dovrebbe essere fatta solo dopo aver calibrato offset e amplificazione.

- 1) Nel menu principale scegliere "Altri".

```
Menuprinc
Set ora
LANGUAGE
»Altri
```

- 2) Nel menu "Altri" scegliere "Ing.Analog".

```
Altri
Temp. Illum.
» Ing. Analog
Canc. Prog.
```

- 3) Nel menu "AnalogOn" scegliere un ingresso che è configurato come ingresso PT100.

```
Ing. Analog
I 01
» I 02 : PT100
I 03 : TC
```

- 4) Nel menu per la regolazione degli ingressi analogici scegliere "Offset prec".

```
I 02
modo
Calibratura
» Offset prec
```

- 5) Con l'aiuto dei tasti "+" e "-" immettere un valore fra -15,5 °C e 15,5 °C (-27,9 °F fino 27,9 °F). Dopo aver immesso il valore, concludere la calibratura di precisione con il tasto "OK".

```
I 02
Offset prec
0.0 °C
```

12.4.7 Diagnosi degli errori

Se la tensione d'ingresso è superiore a 11 V o uguale a 0 V, vengono settati i seguenti bits di sistema:

Tabella 12.8:

Bit di sistema	Descrizione	AL2-10MR-D	AL2-14MR-D AL2-24MR-D
M17	0: nessun errore 1: errore per l'ingresso I01	✓	✓
M18	0: nessun errore 1: errore per l'ingresso I02	✓	✓
M19	0: nessun errore 1: errore per l'ingresso I03	✓	✓
M20	0: nessun errore 1: errore per l'ingresso I04	✓	✓
M21	0: nessun errore 1: errore per l'ingresso I05	✓	✓
M22	0: nessun errore 1: errore per l'ingresso I06	✓	✓
M23	0: nessun errore 1: errore per l'ingresso I07	—	✓
M24	0: nessun errore 1: errore per l'ingresso I08	—	✓

Se uno dei bits di sistema su elencati è settato, verificare se

- un sensore della temperatura è collegato,
- se la linea verso il sensore della temperatura è interrotta,
- se la temperatura rientra nella gamma permessa,
- che lo AL2-2PT-ADP sia alimentato con tensione.

Se appare il messaggio "Errore" invece di "OK" durante la calibrazione offset/guadagno, eseguire una verifica al riguardo.

- Viene fornita potenza all'AL2-2PT-ADP.
- L'AL2-2PT-ADP è collegato a $\alpha 2$ in modo corretto.
- L'entrata che collega l'AL2-2PT-ADP è selezionata per la calibrazione.
- Le entrate L1 e I2 dell'AL2-2PT-ADP sono cortocircuitate.
- Il ponticello ON è posizionato o nella posizione "-50°C" o nella posizione "200°C".
- È selezionata l'opzione del menù di calibrazione relativa alla posizione del ponticello ("-50°C" o "200°C").

13. AL2-2TC-ADP

Il modulo dell'adattatore ad elemento termico AL2-2TC-ADP trasforma la temperatura rilevata con un termoelemento del tipo K, in una tensione fra 0 e 10 V, per l'ulteriore lavorazione nell'apparecchio base. Altre informazioni si trovano nelle istruzioni per l'installazione del AL2-2TC-ADP.



Attenzione

- Solo personale competente e che conosce bene gli standard di sicurezza locali e nazionali nell'ambito dell'automazione deve effettuare il cablaggio elettrico degli apparecchi.
- Il controllore $\alpha 2$ non è stato sviluppato per applicazioni salva-vita o autosorveglianti.
- MITSUBISHI ELECTRIC non si assume in nessun caso la garanzia o la responsabilità di un danno provocato da un'installazione scorretta o da un'applicazione scorretta degli apparecchi o degli accessori.



Avvertenza EMC

Il modulo analogico Mitsubishi Electric serie $\alpha 2$ è stato dichiarato conforme alle suddette norme e direttive europee. Tuttavia, per ottenere le massime prestazioni da dispositivi di uscita del controllore e misurazione estremamente delicati, Mitsubishi Electric intende segnalare quanto segue:

- In seguito alla loro sensibilità, l'uso dei moduli analogici deve essere considerato con cura. Gli utenti che dispongono di cavi propri (integrati con sensori o attuatori) devono seguire attentamente i requisiti di installazione indicati dai rispettivi produttori.
- Mitsubishi Electric raccomanda l'uso di cavi schermati. Se NON vi sono altre forme di protezione EMC, gli utenti possono riscontrare errori temporanei inferiori al 10% nelle aree industriali. Tuttavia, Mitsubishi Electric fa presente che, adottando protezioni EMC adeguate per il sistema di controllo completo, gli utenti possono aspettarsi i normali errori specificati nei manuali dei prodotti.

13.1 Sommario

Il modulo dell'adattatore ad elemento termico AL2-2TC-ADP trasforma le temperature rilevate con una tensione fra 0 e 10 V. Per la misurazione della temperatura serve un termoelemento del tipo K. Il valore della tensione può essere ulteriormente elaborato nell'apparecchio base.

13.1.1 Dimensioni esterne

Illustrazione 13.1: Unità di misura dimensioni esterne: mm

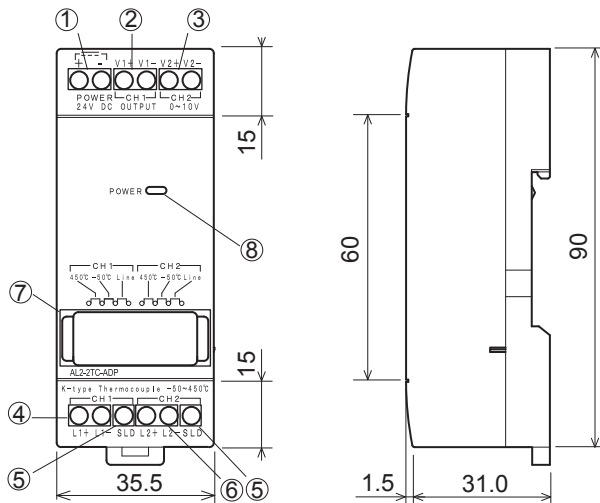
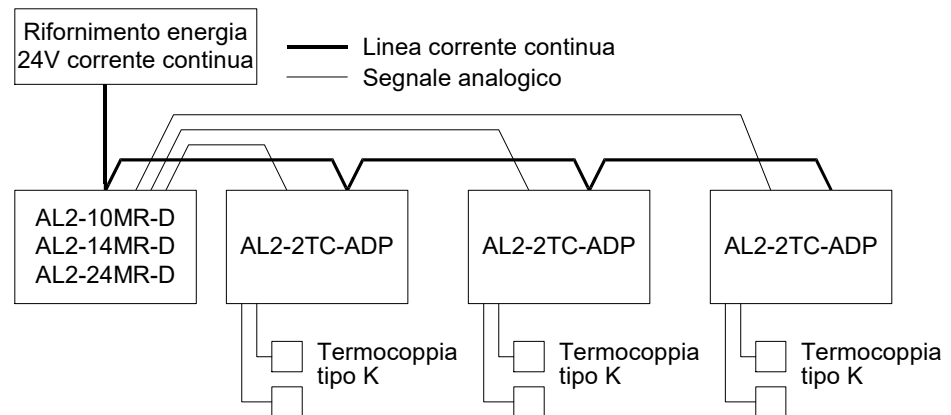


Tabella 13.1:

Item	Description
1	Morsetto di entrata +24 V DC
2	Morsetto di uscita tensione, canale 1
3	Morsetto di uscita tensione, canale 2
4	Canale 1: connessione per termoelemento tipo K
5	Connessione di terra per lo schermaggio
6	Canale 2: connessione per termoelemento tipo K
7	Jumper per regolazione del modulo
8	LED della corrente per visualizzare lo stato di prontezza al funzionamento

13.2 Configurazione del sistema

Illustrazione 13.2:



I dati tecnici generali si trovano nel capitolo 2.

Tabella 13.2: Versioni utilizzabili

CP e software di programmazione	Versioni utilizzabili
Comando $\alpha 2$ (solo versione CC)	V2.00 o superiore
Software VLS	V2.30 o superiore



Nota

Lo AL2-2PT-ADP non può essere collegato ad un comando α .

13.3 Dati tecnici

Tabella 13.3: Dati tecnici generali

Caratteristiche	Dati tecnici
Temperatura di funzionamento	(-25) - 55 °C
Temperatura di stoccaggio	(-30) - 70 °C
Umidità dell'aria	35 fino 85 % umidità relativa dell'aria relative Niente condensazione
Resistenza alle vibrazioni con Montaggio guide DIN	Conforme a IEC 68-2-6; 10 - 57 Hz: 0,075 mm ampiezza costante, 57 - 150 Hz: 9,8 m/s ² di accelerazione, ciclo di deflessione per X, Y, Z: 10 x (80 min. in tutte e 3 le direzioni)
Resistenza agli urti	Conforme a IEC 68-2-27: 147 m/s ² accelerazione per 11 ms, 3 volte in tutte e 3 le direzioni X, Y e Z
Resistenza alla tensione di disturbo	1000 Vpp per 1µs, 30 - 100 Hz, testato con simulatore della tensione di disturbo
Resistenza alla tensione	500 V CA~ per un minuto tra tutti i terminali e la scatola di comando DIN43880 o equivalente.
Resistenza di isolamento	7 MΩ 500 V CC tra tutti i terminali e la cassetta di distribuzione DIN43880 o equivalente.
Condizioni ambientali	Atmosfera priva di gas aggressivi

Tabella 13.4: Alimentazione di tensione

Caratteristiche	Dati tecnici
Tensione di alimentazione	24 V DC (+20 %, -15 %)
Consumo massimo di corrente	0,5 W

Tabella 13.5: Conformità a norme e direttive

Caratteristiche		norma/direttiva
Direttiva CE	EMC	EN61131-2: 2007
Certificazione di UL/cUL		Numero file: E95239

Tabella 13.6: Dati tecnici dell'hardware

Caratteristiche	Dati tecnici	
	Gradi Celsius (°C)	Gradi Fahrenheit (°F)
Sensore di temperatura	Termoelemento isolato tipo K (IEC 584-1 1977, IEC 584-2 1982)	
Zona compensata	-50 °C - 450 °C	-58 °F - 842 °F
Precisione	±2,0 % (con tutte le temperature) e ±1,5 % a 25 °C	±2,0 % (con tutte le temperature) e ±1,5 % a 77 °F
Risoluzione	1 °C	
Tempo di trasformazione	20,5 ms	
Isolamento	Nessun isolamento tra canali (ingresso/uscita) ed alimentazione	

ITL

Tabella 13.6: Dati tecnici dell'hardware

Caratteristiche	Dati tecnici	
	Gradi Celsius ($^{\circ}\text{C}$)	Gradi Fahrenheit ($^{\circ}\text{F}$)
Caratteristica di trasformazione	<p>Digital</p> <p>+450</p> <p>+470</p> <p>+470$^{\circ}\text{C}$</p> <p>-50$^{\circ}\text{C}$</p> <p>-70$^{\circ}\text{C}$</p> <p>-70</p> <p>+450$^{\circ}\text{C}$</p> <p>Temperatura (Tipo K)</p>	<p>Digital</p> <p>+8420</p> <p>+8780</p> <p>+878$^{\circ}\text{F}$</p> <p>-58$^{\circ}\text{F}$</p> <p>-94$^{\circ}\text{F}$</p> <p>-940</p> <p>+842$^{\circ}\text{F}$</p> <p>Temperatura (Tipo K)</p>

Tabella 13.7: Bits di sistema usati

Posizione		Descrizione	AL2-10MR-D	AL2-14MR-D AL2-24MR-D
Bit di sistema	M17	Viene settato su I01 con un errore del sensore	✓	✓
	M18	Viene settato su I02 con un errore del sensore	✓	✓
	M19	Viene settato su I03 con un errore del sensore	✓	✓
	M20	Viene settato su I04 con un errore del sensore	✓	✓
	M21	Viene settato su I05 con un errore del sensore	✓	✓
	M22	Viene settato su I06 con un errore del sensore	✓	✓
	M23	Viene settato su I07 con un errore del sensore	—	✓
	M24	Viene settato su I08 con un errore del sensore	—	✓

13.4 Installazione e cablaggio

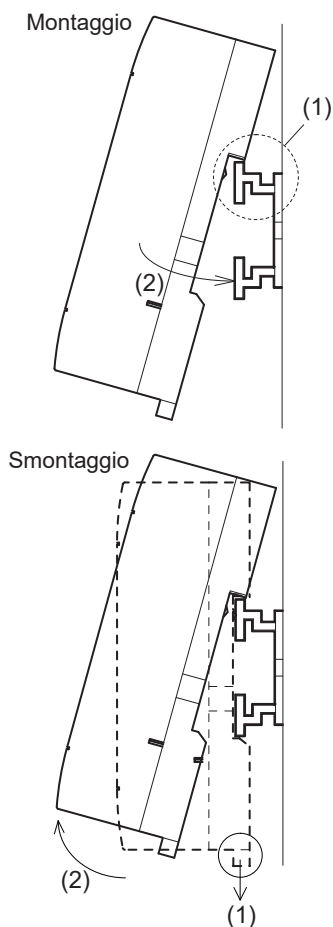
13.4.1 Installazione



Attenzione

- Gli apparecchi non devono essere esposti ai seguenti influssi ambientali: ambienti con un grado elevato di polveri conduttive, corrosione, gas infiammabili, elevata umidità dell'aria, pioggia, raggi diretti del sole, calore eccessivo, forti onde d'urto e vibrazioni.
- I collegamenti devono essere coperti per evitare un contatto con parti che conducono tensione.
- Il controllore ed il modulo AL2-2TC-ADP devono essere installati in un quadro elettrico ad armadio conf. DIN 43880 o in una cassetta di distribuzione. Lo AL2-2TC-ADP deve essere protetto con un rivestimento per evitare che vi penetrino corpi estranei.
- Per il raffreddamento fra la parte superiore e quella inferiore dello AL2-2TC-ADP e degli altri apparecchi si deve mantenere una distanza di almeno 10 mm.
- La distanza massima tra il controllore serie $\alpha 2$ e AL2-2TC-ADP è 3 metri o inferiore.
- La lunghezza massima del cavo di alimentazione è 10 metri.
- Se il sensore si trova in prossimità di un materiale conduttivo, deve essere utilizzato un sensore con isolamento uguale o superiore a 500 V.

Illustrazione 13.3: Installazione



Il modulo può essere montato su una guida DIN (35 mm, DIN EN 50022). Per lo smontaggio tirare la barretta provvista di molla e rimuovere il modulo dalla guida.

- 1) Montaggio
Mettere lo AL2-2TC-ADP con il lato superiore sulla guida (1) e premere il modulo sulla guida (2).
- 2) Smontaggio
Tirare la barretta verso il basso (1) e rimuovere lo AL2-2TC-ADP.

ITL

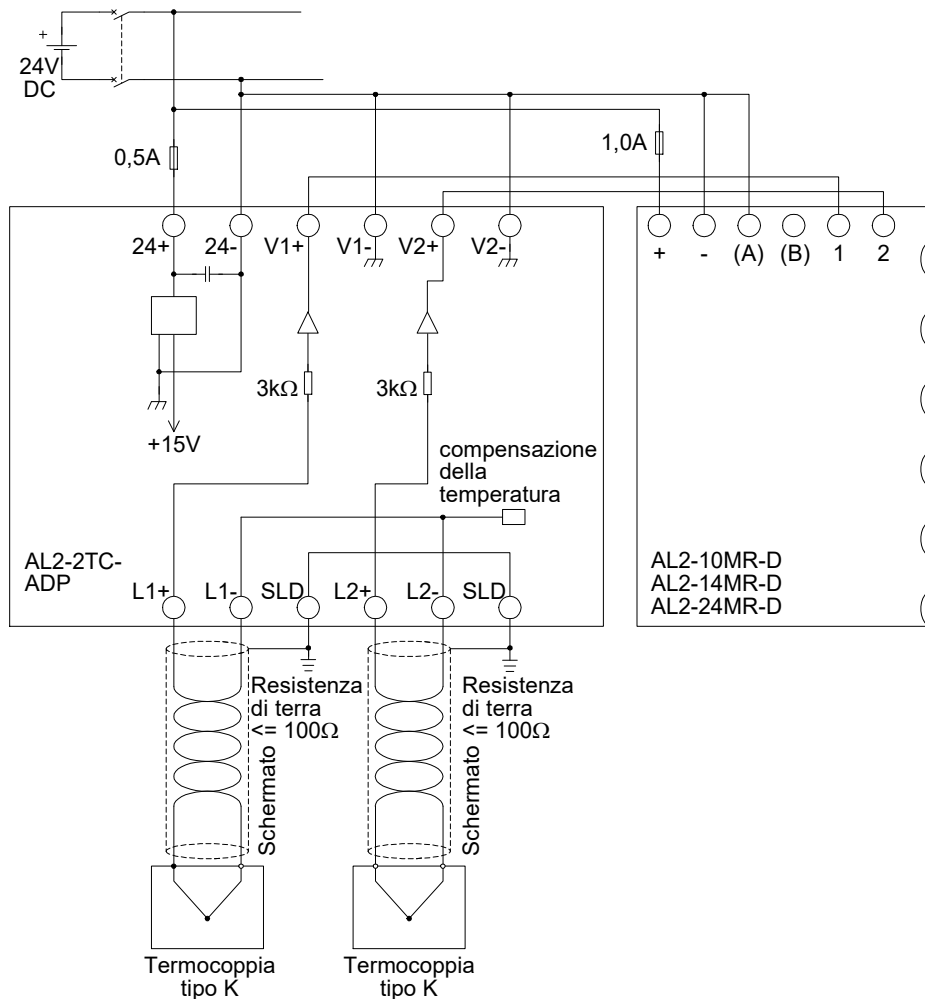
13.4.2 Cablaggio



Attenzione

- Utilizzate un alimentatore isolato e spegnetelo prima di effettuare qualsiasi collegamento elettrico.
- I segnali di ingresso ed uscita non devono essere fatti passare attraverso lo stesso cavo o attraverso lo stesso fascio di cavi.
- La lunghezza delle linee dei segnali di ingresso (dal sensore verso lo AL2-2TC-ADP) non deve superare i 10 m e la lunghezza delle linee dei segnali di uscita non deve superare i 3 m.
- Per il collegamento utilizzare linee con fili rigidi o flessibili (per collegamento Crimp), che siano accuratamente intrecciati. Non collegare fili flessibili con estremità saldate allo AL2-2TC-ADP.
- Serrare le viti dei morsetti con una coppia di 0,5 fino 0,6 N·m, per evitare un danneggiamento dei fili.
- Prima del cablaggio, per regolare offset e amplificazione sullo AL2-2TC-ADP, si deve disinserire la tensione di alimentazione.

Illustrazione 13.4:



13.4.3 Scelta dell'unità di misura per la temperatura

- 1) Inserire la tensione di alimentazione del comando $\alpha 2$ e nel menu principale scegliere "Altri".

```
Menuprinc
Set ora
LANGUAGE
»Altri
```

- 2) Nel menu "Altri" scegliere "Ing.Analog".

```
Altri
ComSeriale
Temp.Ilum.
»Ing.Analog
```

- 3) Nel menu "Ing.Analog" scegliere "Scala temp.".

```
Ing.Analog
I07
I08
»Scala temp.
```

- 4) Con il tasto Ok scegliere fra "Celsius" e "Fahrenheit".

```
Ing.Analog
Scala temp.
»Celsius
Fahrenheit
```

ITL



L'unità di misura può essere scelta solo per i due canali insieme.



I valori nel menu di calibrazione appaiono indipendentemente dall'unità di misura scelta in gradi Celsius, dato che anche i contatti dei ponti dei cavallotti dello AL2-2TC-ADP hanno la scritta con questa unità di misura.

13.4.4 Calibrare l'offset



Nota

Se la regolazione del guadagno è stata completata, i punti 3-7 non sono necessari.

- 1) Prima di calibrare il canale 1 disinserire la tensione di alimentazione del comando $\alpha 2$ e dello AL2-2TC-ADP e staccare il morsetto del termoelemento. I collegamenti L1-, L1+ e SLD rimangono liberi.
- 2) Rimuovere il rivestimento dei cavallotti e innestare i ponticelli sui contatti, contrassegnati con "-50 °C" (vedi illustrazione che segue).



Avvertenza

Il ponticello deve essere installato correttamente, altrimenti non può avvenire il collegamento elettrico.

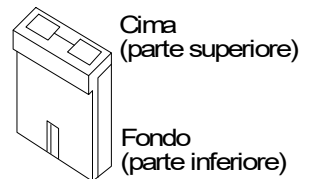
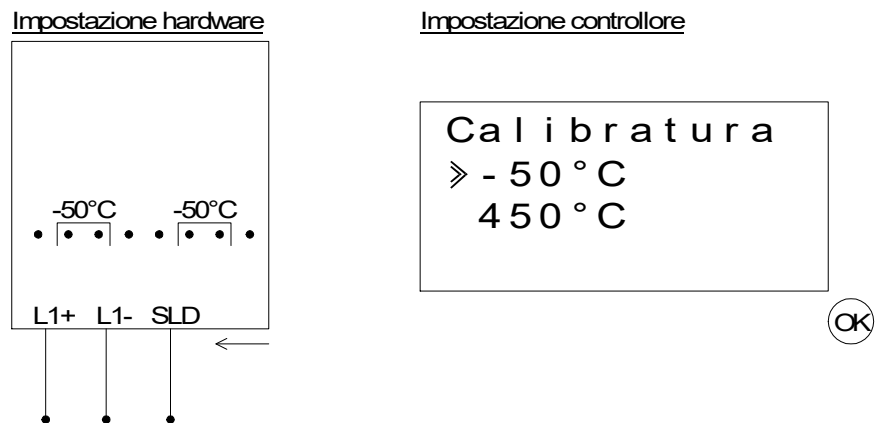
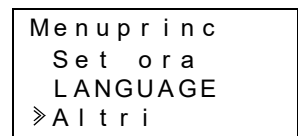


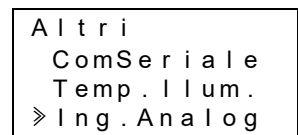
Illustrazione 13.5: Calibrare l'offset dello AL2-2TC-ADP



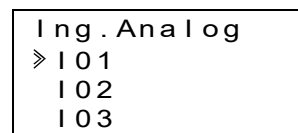
- 3) Attivare il comando e con CP fermato scegliere il menu "Altri".



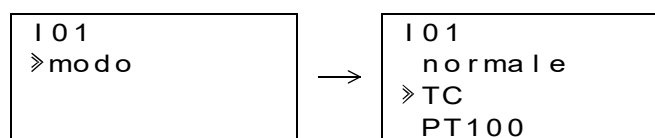
- 4) Nel menu "Altri" scegliere "Ing.Analog".



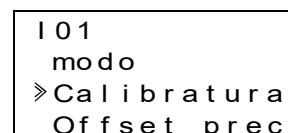
- 5) Scegliere l'ingresso a cui è collegato lo AL2-2TC-ADP.



- 6) Configurate l'ingresso per il rilevamento della temperatura con il modulo AL2-2TP-ADP selezionando "modo", quindi "TC" dalla seguente videata.

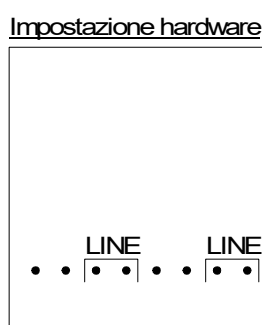


- 7) Dopo la regolazione di "PT100", scegliere "Calibratura" nel menu "Ing.Analog".



- 8) Nel menu "Calibratura" scegliere "-50°C" (vedi ill. 13.5). Ora sulla visualizzazione dovrebbe comparire la segnalazione "OK". Se non fosse così, attenersi per favore alle istruzioni per la diagnosi degli errori nel cap. 13.4.7. Con ciò la calibratura dell'offset per il canale 1 è terminato. Per calibrare l'offset del canale 2, ripetere le sequenze su elencate, lasciare però scollegati i collegamenti L2-, L2+ e SLD. Dopo la calibratura i cavallotti vengono innestati sui contatti "LINE":

Abbildung 13.6: Posizione dei cavallotti dopo la calibratura



Dopo la calibratura dell'offset anche l'amplificazione deve essere calibrata. Questa operazione è descritta nel seguente capitolo.

13.4.5 Calibratura dell'amplificazione

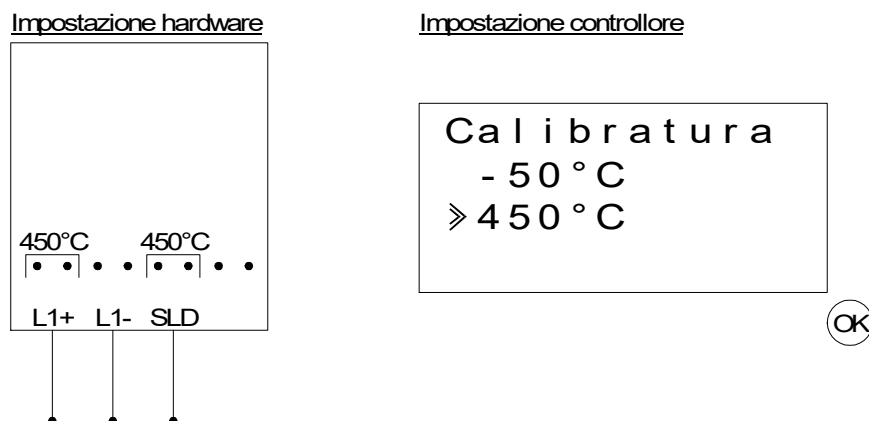
Nota

Se la regolazione dell'offset è stata completata, i punti 3-4 non sono necessari.

- 1) Prima della calibratura dell'amplificazione del canale 1, disinserire l'alimentazione di tensione del canale 1 del comando $\alpha 2$ e dello AL2-2TC-ADP e staccare il morsetto del termoelemento. I collegamenti L1-, L1+ e SLD rimangono liberi.

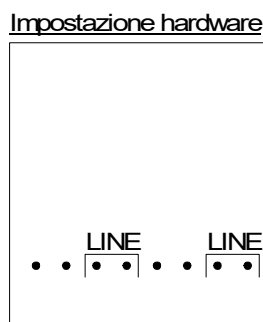
- 2) Rimuovere il rivestimento dei cavallotti e innestare i ponticelli sui contatti, contrassegnati con "450 °C" come nell'illustrazione che segue.

Illustrazione 13.7: Calibratura dell'amplificazione nello AL2-2TC-ADP



- 3) Attivare il comando e con CP fermato scegliere il menu "Altri".
- 4) Dopo aver scelto il modo termoelemento (TC) (vedi descrizione della calibratura dell'offset), scegliere "Calibratura" nel menu "Ing.Analog".
- 5) Scegliere "450 °C" nel menu "Calibratura" (vedi ill. 13.7). Ora sulla visualizzazione dovrebbe comparire la segnalazione "OK". Se non fosse così, attenersi per favore alle istruzioni per la diagnosi degli errori nel cap. 12.4.7. Con ciò la calibratura dell'offset per il canale 1 è terminata. Per calibrare l'offset del canale 2, ripetere le sequenze su elencate, lasciare però scollegati i collegamenti L2-, L2+ e SLD. Dopo la calibratura i cavallotti vengono innestati sui contatti "LINE".

Illustrazione 13.8: Posizione dei cavallotti dopo la calibratura



Dopo la calibratura dell'offset anche l'amplificazione deve essere calibrata. Questa operazione è descritta nel capitolo. 13.4.4.

13.4.6 Calibratura di precisione dell'offset



La calibratura di precisione dovrebbe essere fatta solo dopo aver calibrato offset e amplificazione.

- 1) Nel menu principale scegliere "Altri".

```
Menuprinc
Set ora
LANGUAGE
»Altri
```

- 2) Nel menu "Altri" scegliere "Ing.Analog".

```
Altri
ComSeriale
Temp.illum.
»Ing.Analog
```

- 3) Nel menu "Ing.Analog" scegliere un ingresso che è configurato come ingresso per termoresistenza PT100.

```
Ing. Analog
I 01
I 02 : PT100
» I 03 : TC
```

- 4) Nel menu per la regolazione degli ingressi analogici scegliere "Offset prec".

```
I 03
modo
Calibratura
»Offset prec
```

- 5) Con l'aiuto dei tasti "+"- e "-" immettere un valore fra -31°C e 31°C (-55,8 °F fino 55,8 °F). Dopo aver immesso il valore, concludere la calibratura di precisione con il tasto "OK".

```
I 03
Offset prec
0 °C
```

13.4.7 Diagnosi degli errori

Se la tensione d'ingresso è superiore a 11 V o uguale a 0 V, vengono settati i seguenti bits di sistema:

Tabella 13.8:

Bit di sistema	Descrizione	AL2-10MR-D	AL2-14MR-D AL2-24MR-D
M17	0: nessun errore 1: errore per l'ingresso I01	✓	✓
M18	0: nessun errore 1: errore per l'ingresso I02	✓	✓
M19	0: nessun errore 1: errore per l'ingresso I03	✓	✓
M20	0: nessun errore 1: errore per l'ingresso I04	✓	✓
M21	0: nessun errore 1: errore per l'ingresso I05	✓	✓
M22	0: nessun errore 1: errore per l'ingresso I06	✓	✓
M23	0: nessun errore 1: errore per l'ingresso I07	—	✓
M24	0: nessun errore 1: errore per l'ingresso I08	—	✓

Se uno dei bits di sistema su elencati è settato, verificare se

- un sensore della temperatura è collegato,
- se la linea verso il sensore della temperatura è interrotta,
- se la temperatura rientra nella gamma permessa,
- che lo AL2-2TC-ADP sia alimentato con tensione.

Se appare il messaggio "Errore" invece di "OK" durante la calibrazione offset/guadagno, eseguire una verifica al riguardo.

- Viene fornita potenza all'AL2-2TC-ADP.
- L'AL2-2PT-ADP è collegato a $\alpha 2$ in modo corretto.
- L'entrata che collega l'AL2-2TC-ADP è selezionata per la calibrazione.
- Le entrate AL2-2TC-ADP sono rimaste scollegate.
- I ponticelli sull'AL2-2TC-ADP sono posizionati o nella posizione "-50°C" o nella posizione "450°C".
- È selezionata l'opzione del menù di calibrazione relativa alla posizione del ponticello ("-50°C" o "450°C").

14. Elenchi dei tasti, dei bit del sistema e del blocco di funzione

14.1 Elenchi dei tasti

La tabella che segue contiene i tasti usati per lavorare nel menu e nel programma dell'utente. Ulteriori informazioni si trovano nel manuale di programmazione $\alpha 2$.

Tabella 14.1: Liste chiave operativa

Nome del tasto	Numero tasto	Funzione principale del tasto
OK	K01	Accettazione inserimento dati, opzioni di menu, selezioni di programma
ESC	K02	Cancela operazioni in corso, passa a schermo o menu superiore
+	K03	Collega blocchi funzionali, passa a blocchi con numero più alto, aumenta valori
-	K04	Disconnette blocchi funzionali, passa a blocchi con numero più basso, abbassa valori
▲	K05	Passa ad elementi dal numero maggiore (tasti, blocchi funzionali, ingressi, uscite, etc.)
▼	K06	Passa ad elementi dal numero minore (tasti, blocchi funzionali, ingressi, uscite, etc.)
▶	K07	Si muove a destra nello schermo LCD, nel programma dei blocchi funzionali o comando di Salta
◀	K08	Si muove a sinistra nello schermo LCD, nel programma dei blocchi funzionali o comando di Salta

14.2 Elenco bit del sistema

Questo è il bit di sistema controllato dal sistema ed il bit di controllo per controllare dal programma dell'utente.

14.2.1 Elenchi bit di sistema

Tabella 14.2: Elenchi bit di sistema

Bit di sistema	Descrizione	AL2-10MR-*	AL2-14MR- AL2-24MR-*
M01	Sempre "ON"	✓	✓
M02	Sempre "OFF"	✓	✓
M03	Alternativamente - 0.5 secondi "ON", 0.5 secondi "OFF"	✓	✓
M04	"ON" se si verificano errori nei dati del timer di tempo reale	✓	✓
M05	"ON" se è attivato l'orario estivo.	✓	✓
M06	"ON" se si verifica errore di comunicazione di interfaccia AS	—	✓
M07	"ON" se si verifica errore di comunicazione per mancanza di corrente di interfaccia AS	—	✓
M08	ON se il modo "stop rotazione " va in modo "Run" nella serie $\alpha 2$. Il segnale ON agisce come un output di impulso e poi effettua OFF.	✓	✓
M09	OFF se il modo "stop rotazione " va in modo "Run" nel series $\alpha 2$. Il segnale OFF agisce come un output di impulso e poi effettua ON.	✓	✓
M10	"ON" , durante la decodificazione di segnali DCF77	✓	✓
M11	"ON" impulso dopo la decodificazione senza errori di segnali DCF77	✓	✓
M12	"ON" se il segnale CD (DCD) è ON (riceve segnale CD dal modem)	—	✓
M13	"ON" se è possibile l'accesso al network GSM	—	✓
M14	"ON" se l'accesso al controllore serie $\alpha 2$ avviene tramite GSM.	—	✓
M15	"ON", se con la decodificazione di segnali DCF77 si è verificato un errore	✓	✓
M16	"ON", se la tensione esterna di alimentazione per lo AL2-2DA è inserita.	—	✓
M17	"ON", con un errore del sensore su I01	✓	✓
M18	"ON", con un errore del sensore su I02	✓	✓
M19	"ON", con un errore del sensore su I03	✓	✓
M20	"ON", con un errore del sensore su I04	✓	✓
M21	"ON", con un errore del sensore su I05	✓	✓
M22	"ON", con un errore del sensore su I06	✓	✓
M23	"ON", con un errore del sensore su I07	—	✓
M24	"ON", con un errore del sensore su I08	—	✓

14.2.2 Elenco bit di controllo

Tabella 14.3: Bit di controllo

Bit di controllo	Descrizione	AL2-10MR-*	AL2-14MR- AL2-24MR-*
N01	ON: scollegare dalla rete dell'interfaccia AS OFF: collegare alla rete dell'interfaccia AS	—	✓
N02* ¹	ON: la luce posteriore è "OFF" sul LCD. OFF: la luce posteriore è controllata dalla regolazione "durata luce" nel menu.	✓	✓
N03* ¹	ON: la luce posteriore è "ON" sul LCD. OFF: la luce posteriore è controllata dalla regolazione "durata luce" nel menu.	✓	✓
N04	ON: lo schermo dell'utente è controllato dalla regolazione del "display manager" con AL-PCS/WIN-E. OFF: lo schermo dell'utente è controllato dal programma dell'utente.	✓	✓

*1 Se sia N02 che N03 sono ON e quindi la luce posteriore è "ON" dato che a N03 è data la priorità.

14.3 Elenchi blocchi di funzione

Ulteriori informazioni per i blocchi di funzionamento si possono trovare nel manuale di programmazione.

Tabella 14.4: Elenchi blocchi di funzione

Blocco di funzione		Spazio di memoria necessario (byte)	Descrizione	AL2-10MR-*	AL2-14MR- AL2-24MR-*
nome	simbolo				
AND	AND	19	output On se tutti gli input sono ON. Gli input non usati vengono considerati OFF	✓	✓
OR	OR	19	output ON se da ultimo un input ON. Gli input non usati vengono considerati OFF	✓	✓
NOT	NOT	10	inverte un segnale; cambia un OFF in un On e viceversa.	✓	✓
XOR	XOR	13	OR esclusivo; output On se solo uno di due impulsi è ON.	✓	✓
NAND	NAND	19	non AND; output OFF solo se tutti gli input sono ON. Gli input non usati vengono considerati ON	✓	✓
NOR	NOR	19	non OR; output OFF se da ultimo un input è ON. Gli input non usati vengono considerati OFF	✓	✓
Boolean	BL	*1	equazione logica con l'uso di AND, OR, XOR, NOT	✓	✓
Set/Reset	SR	14	fissa un relé in posizione SET o RESET, dà priorità di Set o Reset	✓	✓
Impulso	PL	10	trasmette un impulso sull'emergere, sulla caduta o su i due contorni	✓	✓
Alternato	AL	13	Si alternano le uscite commutando in ON o OFF con ogni impulso di ingresso	✓	✓
Ritardo	DL	19	ritarda un segnale sull'emergere, sulla caduta o su i due contorni	✓	✓
Impulso	OS	17	trasmette un impulso singolo; basato su tempo o segnale di input, disponibile pin di reset	✓	✓
Flicker	FL	19	trasmette una sequenza di impulsi; basato su tempo o segnale di input, disponibile pin di reset	✓	✓
Time Switch	TS	*2	usare il RTC per regolare l'output su ON/OFF; calendario o programma settimanale	✓	✓
Mantenimento Time Switch	TSm	*2	usare il RTC per regolare l'output su ON/OFF; calendario o programma settimanale Il gruppo di funzionamento può essere configurato dal menu Top "Parametri" con i tasti sul pannello frontale.	✓	✓
Counter	CN	16	conto ascensionale su impulsi, può azzerare come un segnale	✓	✓
Up/Down Counter	UD	22	conto ascensionale o discensionale, regola un valore di preset per far arrivare un output come ON	✓	✓
Comparazione	CP	17	confronta due valori per <, >, =, <=, >=, <> (analogico, regolazione diretta o valori FB)	✓	✓

Tabella 14.4: Elenchi blocchi di funzione

Blocco di funzione		Spazio di memoria necessario (byte)	Descrizione	AL2-10MR-*	AL2-14MR- AL2-24MR-*
nome	simbolo				
Offset gain	OG	22	valori analogici manipolati; $y = A/B \cdot x + C$; regola valori limite alti e bassi	✓	✓
Display	DP	*3	Schermo con display per l'utente (messaggi o dati) sul display LCD	✓	✓
Comparazione area	ZC	20	confronta un valore con una gamma di valori (analogico, regolazione diretta, o valori FB)	✓	✓
Leva a scatto Schmitt	ST	19	regola un input su ON sul valore alto e OFF sul valore basso (o viceversa)	✓	✓
Ora metro	HM	19	registra il tempo accumulato fino a che un segnale è ON	✓	✓
Monitoraggio velocità	SPD	25	La frequenza di input del segnale (on/off) è misurata per una lunghezza di tempo fissata. La frequenza è confrontata alla gamma di valore e l'output è regolato su ON/OFF, secondo il risultato.	✓	✓
Ampiezza impulso Modulazione	PWM	16	Una sequenza continua di impulsi viene emessa se si usa questo blocco di funzioni. Le caratteristiche degli impulsi sono definite come: rendimento d'impulso. (regolazione diretta, analogico, valori FB), tempo di ciclo.	✓	✓
Retentivo Alternato	RAL	13	Si alternano le uscite in commutazione ON o OFF con ogni impulso di ingresso. Si mantiene l'ultimo stato ingresso, se l'alimentazione di corrente ha avuto ciclo OFF e ON. Si perde l'ultimo stato uscita, se la serie $\alpha 2$ è condotta nel modulo stop.	✓	✓
Addizione	ADD	20	$y = A + B$	✓	✓
Sottrazione	SUB	20	$y = A - B$	✓	✓
Moltiplicazione	MUL	20	$y = A \times B$	✓	✓
Divisione	DIV	20	$A \div B = q, r$ (quoziente e resto)	✓	✓
Calcolo	CAL	*4	equazione con +, -, x, %, e i dati scelti.	✓	✓
Shift	SFT	19	Funzionamento shift; se il segnale "SFT" è un input, l'ultimo stato del segnale "I" è un output. Se si usa un funzionamento shift da 8 bit, il blocco di funzione "Shift" deve essere proseguito 8 volte.	✓	✓
GSM SMS	SMS	*5	Il contenuto di uno schermo LCD viene spedito come un messaggio SMS.	—	✓
Ricezione SMS	SMR	*7	Cambio emissione con SMS	—	✓

Tabella 14.4: Elenchi blocchi di funzione

Blocco di funzione		Spazio di memoria necessario (byte)	Descrizione	AL2-10MR-*	AL2-14MR-*/AL2-24MR-*
nome	simbolo				
Mantenimento Ricezione SMS	SMRm	*7	Cambio emissione con SMS Il gruppo di funzionamento può essere configurato dal menu Top "Parametri" con i tasti sul pannello frontale.	—	✓
Rilevamento chiamata	CD	30	Identificazione numero telefonico CLIP (Calling Line Identification Presentation)	—	✓
Mantenimento Rilevamento chiamata	CDm	30	Identificazione numero telefonico CLIP (Calling Line Identification Presentation) Il gruppo di funzionamento può essere configurato dal menu Top "Parametri" con i tasti sul pannello frontale.	—	✓
Impulso random	ROS	19	L'impulso singolo di lunghezza casuale è un output.	✓	✓
Impulso ritardato	DOS	20	Dopo un tempo di ritardo, spedire un impulso singolo	✓	✓
Alternanza ritardata	DAL	16	Dopo un tempo di ritardo, l'output alterna la regolazione su On o OFF con ogni impulso di inpute	✓	✓
Set/Reset ritentivo	RSR	14	Fissa un relé in posizione SET o RESET, dà priorità di Set o Reset. Si mantiene l'ultimo stato di ingresso se l'alimentazione di corrente ha avuto ciclo OFF e ON. Tuttavia, si perde l'ultimo stato di uscita, se la serie $\alpha 2$ è condotta nel modulo stop.	✓	✓
Regolazione PID	PID	52	La funzione blocco PID è l'implementazione $\alpha 2$ di PID, un metodo di controllo utilizzato per ottenere un controllo stabile su di una variabile di sistema. E' equipaggiato con una funzione di auto sintonizzazione, che automaticamente regola i parametri della funzione blocco per l'applicazione specifica.	✓	✓
Output analog	AO	17	La funzione di emissione analogica preleva un'entrata di valore analogico e consegna il voltaggio o la corrente analogica corrispondente ad un canale nel modulo AL2-2DA.	✓	✓
Monitoraggio	CDP	*6	Controllo che lo schermo del display appare sul LCD. Questo blocco di funzioni può essere regolato solo nel software AL-PCS/WIN-E. Se il bit di controllo N04 è ON, è possibile controllare lo schermo dell'utente mostrato.	✓	✓

Tabella 14.4: Elenchi blocchi di funzione

Blocco di funzione		Spazio di memoria necessario (byte)	Descrizione	AL2-10MR-*	AL2-14MR- AL2-24MR-*
nome	simbolo				
Connessione	_B	10	Questo blocco di funzione CONNECT (collegare) è un FB interno , usato per mostrare la memoria usata dai bit di sistema, i bit per l'interfaccia AS e i tasti di funzionamento. Sullo schermo non appare nessun blocco di funzione o mostra come è usato nella bix di dialogo "Memory Configuration Usage" (modo d'uso della configurazione della memoria), il fine è solo quella di calcolare la memoria utilizzata dai bit elencati sopra	✓	✓
output del sistema	Out	10	controllo di dispositivo esterno mediante relé e transistori	✓	✓

*1 Numero di bytes usati= $19 + 1 \times$ (caratteri in equazione)

*2 Numero di bytes usati = $8 + 4 \times$ (numero di commutatori temporali)

*3 Numero di bytes usati è deciso dall'item sul mostrato sul display.

Tabella 14.5: Item visualizzati sul display e numero di bytes usati

Item visualizzato sul display		Numero di bytes, $\alpha 2$ series
caratteri		$16 + 1 \times$ (ogni carattere è visualizzato)
analogico, valore FB	valore	17
	graf.	23
ora, data		14
istruzione di salto temporale		17

*4 Numero di bytes usati = $30 + 1 \times$ (caratteri in equazione)

*5 numeri di bytes usati = $12 + 1 \times$ (caratteri nell'indirizzo E-Mail)

*6 numeri di bytes usati= $32 + 3 \times$ (numero di schermo)

*7 Numero di byte usati = $37 +$ (numero di caratteri dei comandi di configurazione)

15. Diagnostica



Avvertenza

- Non toccare il terminal perché è sotto tensione. Ciò può provocare un malfunzionamento dell'apparecchiatura o una scossa elettrica.



Avvertenza

- Alimentare corrente caratteristica.
Se viene alimentata una corrente diversa da quella caratteristica (appropriata), il prodotto può essere danneggiato o provocare un incendio.
- Collegare "L (Live)" dell'alimentazione di corrente a "L terminal" nell'unità principale e collegare "N (neutro)" a "N terminal" nell'unità principale correttamente, quando si allaccia l'alimentazione di corrente AC.
Un allacciamento errato provocherà scossa elettrica, danno al controllore o incendio.
- Collegare il filo "L (Live)" dell'alimentazione di corrente al terminal di input dell'unità AC.
- Collegare il "+" della alimentazione di corrente al "+" del terminal nella unità principale e collegare il "-" dell'alimentazione di corrente al "-" terminal" quando si allaccia l'unità DC.
Un allacciamento errato provocherà scossa elettrica, danno al controllore o incendio.



Osservazioni sull'uso

- Le serie $\alpha 2$ del controllore devono essere utilizzate con cassetta di memoria, cavo di comunicazione, o coperchio del connettore installati. Altrimenti, se la presa è scollegata, si possono verificare guasti o scosse elettriche.
- Usare il board d'espansione o il coperchio del connettore mentre viene alimentata corrente al controllore $\alpha 2$ serie.
Un'installazione errata dell'apparecchiatura può provocare danni al controllore o scossa elettrica.

15.1 Errore stato di input

Mettere il controllore $\alpha 2$ nel modo stop. Ciclizzare la corrente all'apparecchiatura collegata ai terminali di input e controllare se lo stato di input è visualizzato correttamente. Se così non fosse, controllare i punti in basso.

Ulteriori informazioni sul display dello stato si trovano nel manuale di programmazione $\alpha 2$.



Osservazioni sull'uso

Non collegare un filo con un'estremità saldata al terminale del controllore $\alpha 2$. Ciò può provocare un contatto "magro" e la possibilità che il filo si tagli.

- 1) Controllare il circuito per l'alimentazione di corrente e gli input.
- 2) Controllare che la dotazione usata per gli input sia conforme alla specifica nel paragrafo 2.3 di questo manuale.

15.2 Errore stato di output

Mettere il controllore nel modo stop. Sollecitare gli output ON/OFF e controllare il funzionamento degli output. Controllare che il programma sia stato scritto per ottenere i risultati desiderati.

Ulteriori informazioni si possono trovare riguardo al funzionamento di sollecitazione ON/OFF nel manuale di programmazione $\alpha 2$.



Osservazioni sull'uso

Effettuare i funzionamenti ON/OFF sollecitati solo dopo aver controllato esaurientemente che la cosa sia sicura. Se il funzionamento sollecitato ON/OFF viene eseguito scorrettamente, possono insorgere danni alla macchina o al controllore o ad un dispositivo di sicurezza.

Se non si prendono le adeguate precauzioni, possono verificarsi danni all'apparecchiatura o si può avere un malfunzionamento della macchina.

- 1) Controllare il circuito dell'alimentazione di corrente e degli output.
- 2) Controllare se l'apparecchiatura usata per gli output sia conforme alla specifica nel capitolo 4.4. di questo manuale.

15.3 TOP MENU non è visualizzato

Si deve azionare il tasto menu per accedere al Top Menu. Premere contemporaneamente i tasti "OK" e "ESC". Se il tasto per la chiamata del menu non è impostato, usare o il software di programmazione per il modo stop o eseguire il funzionamento di stop forzato.

Non si può accedere al Top Menu dai tasti. Comunque, premendo simultaneamente i tasti "OK + ESC" durante il power up, apparirà il Top Menu.



Avvertenza

Eeguire il funzionamento di stop forzato solo dopo aver controllato esaurientemente che l'operazione sia cosa sicura.

Se il funzionamento sollecitato ON/OFF viene eseguito scorrettamente, possono insorgere danni alla macchina o al controllore o ad un dispositivo di sicurezza.

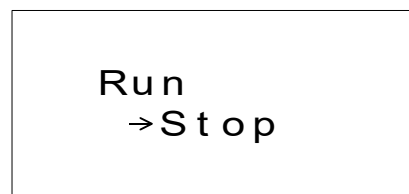
Se non si prendono le adeguate precauzioni, possono verificarsi danni all'apparecchiatura o si può avere un malfunzionamento della macchina.

Funzionamento di stop forzato

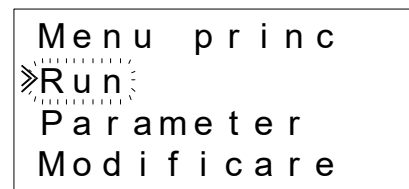
- 1) Spegnerne l'alimentazione di corrente del $\alpha 2$.
- 2) Riattivare la corrente (ON) mentre si preme contemporaneamente i tasti "OK" e "ESC".

Lo schermo sulla destra è visualizzato..

L'opzione per mettere il controllore nel modo stop sarà disponibile per circa cinque secondi. Premere il tasto "OK" per attivare il modo stop. Se non è premuto alcun tasto, il controllore ritornerà nel modo "Run".



- 3) Premere il tasto "ESC".
Il "Men Princ" illustrato a destra è visualizzato.



15.4 Non si può attivare il modo "Run".

Se il serie $\alpha 2$ non commuta sul modo "Run", controllare quanto segue.

- 1) Il messaggio "Ingresso Error" o "Output Error" è visualizzato sullo schermo.
Il programma incluso nella cassetta di memoria ha più punti di input e/o output di quanto disponibili nel controllore.
 - a) Se si fa il programma con il software di programmazione.
Il contenuto del programma ed il modello sono controllati con il software di programmazione. Scrivere il programma per il controllore $\alpha 2$ e non usare una cassetta di memoria.
 - b) Se si fa il programma con i tasti del pannello anteriore del controllore $\alpha 2$.
Togliere la cassetta di memoria e rifare il programma.
 - c) Installare la cassetta di memoria nel controllore $\alpha 2$ di tipo 24 punti.
 - d) Scrivere il programma in un controllore $\alpha 2$ dello stesso tipo nel quale verrà usato il programma.
- 2) I dati del programma hanno un errore.
Se il programma non può essere visualizzato con "Editare" nel "Men princ", è possibile che dati del programma siano danneggiati. Commutare da "Men princ" al modo "Run" dopo aver cancellato il programma.
 - a) Di nuovo il programma e commutare su modo "Run".
 - b) Rivolgersi ad un rivenditore Mitsubishi se è impossibile commutare sul modo RUN .

15.5 Dati orologio errati

Confermare il seguente item.

- 1) I dati dell'orario sono perduti.
Se sono passati circa 20 giorni o più da quando è stata alimentata corrente al $\alpha 2$ serie, i dati riguardanti l'orario sono perduti. In tal caso, si devono impostare nuovamente i dati. Ulteriori informazioni per impostare i dati riguardanti l'orario, si trovano nel manuale di programmazione del $\alpha 2$.
- 2) Ci sono anticipi e ritardi nei dati riguardanti l'orario.
L'esattezza dei dati orari è di ± 5 secondi al giorno. Usare la funzione di correzione se l'errore riguardante i dati orari aumenta.
Ulteriori informazioni sulla impostazione della correzione dell'ora, si possono trovare nel manuale di programmazione $\alpha 2$.

15.6 Lo "?" appare sul display

Il segno "?" viene visualizzato se è stato premuto un tasto inaccettabile per i dati dello schermo, Confermare le opzioni accettabili e premere il tasto adeguato.



15.7 Non si può usare un tasto operativo

Controllare il movimento dei tasti di funzionamento secondo le procedure che seguono se il $\alpha 2$ serie non accetta un tasto di funzionamento. Se si possono eseguire le sequenze descritte in basso nelle istruzioni (1) - (5), i tasti funzionano correttamente. Per favore controllare se i tasti sono usati nel programma.

- 1) Mettere il controllore nel modo stop. Consultare un rivenditore Mitsubishi se non si può attivare il modo stop.



Avvertenza

Eseguire il funzionamento di stop forzato solo dopo aver controllato esaurientemente che l'operazione sia cosa sicura. Se il funzionamento sollecitato ON/OFF viene eseguito scorrettamente, possono insorgere danni alla macchina o al controllore o ad un dispositivo di sicurezza.

Se non si prendono le adeguate precauzioni, possono verificarsi danni all'apparecchiatura o si può avere un malfunzionamento della macchina.

Funzionamento di stop forzato

- a) Spegner l'alimentazione di corrente del $\alpha 2$.
- b) Riattivare la corrente (ON) mentre si preme contemporaneamente i tasti "OK" e "ESC".
Lo schermo sulla destra è visualizzato per 5 secondi.

L'opzione per mettere il controllore nel modo stop sarà disponibile per circa cinque secondi. Premere il tasto "OK" per attivare il modo stop. Se non è premuto alcun tasto, il controllore ritornerà nel modo "Run".

```
Run
->Stop
```

- c) Premere il tasto "ESC".
"Men princ" illustrato a destra è visualizzato.

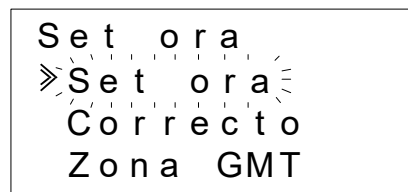
```
Menu princ
»Run
Parameter
Modificare
```

- 2) Scorrere attraverso il Top Menu con tasto "▲" o "▼".
Consultare un rivenditore Mitsubishi, se non è possibile scorrere sullo schermo.
- 3) Spostare il cursore su "Set ora" con tasto "▲" o "▼" e premere due volte il tasto "OK"..
Lo schermo "Set ora" a destra è visualizzato.
Consultare un rivenditore Mitsubishi, se non è visualizzato.

```
Set ora
mm/dd/yyyy
09/06/2001
13:55 Gio
```

- 4) Provare a cambiare la data del mese/anno usando il tasto "◀", "▶", "+" e "-" key.
Consultare un rivenditore Mitsubishi se l'editing è impossibile.

- 5) Premere il tasto "ESC".
Lo schermo a destra è visualizzato e il funzionamento di (4) è reso nullo.
Consultare un rivenditore Mitsubishi se lo schermo corretto non è visualizzato.



15.8 Display LCD errato

Controllare i seguenti item.

- 1) Il carattere è visualizzato al contrario e l'intero schermo è nero.
Consultare un rivenditore Mitsubishi se si verifica l'errore suddetto. Il display del controllore $\alpha 2$ è stato danneggiato.
- 2) Viene visualizzata una configurazione di display inattesa
Se il display non appare come dovrebbe, controllare i seguenti punti nel programma.
 - a) Portare il Display in una pagina iniziale. Due display dello stesso tipo possono avere una zona di visualizzazione sovrapposta che provoca il risultato indesiderato.
 - b) Non si riesce a visualizzare qualche carattere sul display.
 - Controllare che sia attivato l'ingresso del Blocco Funzione del Display.
 - Controllare se c'è un conflitto con un altro display.

15.9 La cassetta di memoria funziona male

Controllare i seguenti punti se la cassetta di memoria non è ricognizzata o se le funzioni di trasferimento della cassetta non sono funzionanti.



Osservazioni sull'uso

- Usare la cassetta di memoria, il cavo di telecomunicazione o il coperchio del connettore mentre il controllore $\alpha 2$ è alimentato con corrente.
Un'installazione scorretta dell'apparecchiatura può provocare danni al controllore o scossa elettrica.
- 1) La cassetta di memoria deve essere installata correttamente, vedi paragrafo 6.1 per il procedimento corretto di installazione.
 - 2) È visualizzato il messaggio "Swprot. Error".
La protezione dei dati è impostata.
Vedi il manuale di programmazione $\alpha 2$ per il procedimento di sblocco di questa impostazione (setting).
 - 3) È visualizzato il messaggio "Password Error" (errore di parola codice).
La parola codice è impostata. Provare di nuovo dopo aver disabilitato la parola codice.
Vedi il manuale di programmazione $\alpha 2$ per il procedimento di disabilitazione della parola codice.
- L'opzione "Canc. prog." può cancellare la parola codice, il programma e tutte le impostazioni del Top Menu . Il controllore tornerà alle impostazioni di fabbrica.
Vedi il manuale di programmazione $\alpha 2$ per il procedimento di uso del funzionamento "Canc. prog.".

15.10 Non si può comunicare con il modulo master dell'interfaccia AS

Controllare i seguenti punti.



Osservazioni sull'uso

- Usare il board di espansione o il coperchio del connettore mentre il controllore $\alpha 2$ è alimentato con corrente.
Un'installazione scorretta dell'apparecchiatura può provocare danni al controllore o scossa elettrica.
- 1) Controllare se l'alimentazione di corrente dell'interfaccia AS è adeguata.
 - 2) Controllare che il bit di controllo N1 sia disattivato. usare uno dei due metodi in basso per cambiarne lo stato, se necessario.
 - a) Se non lo si usa nel programma
Sollecitare lo stato portandolo a off (disattivato), vedi il manuale di programmazione $\alpha 2$ per il procedimento di sollecitazione dello stato On/Off.
 - b) Se lo si usa nel programma
Cambiare il programma o manipolare gli input in modo che il bit di controllo N1 commuti su off (disattivato).
 - 3) Controllare che l'indirizzo slave sia corretto.
Setting dell'indirizzo slave dal modulo master dell'interfaccia AS.
Vedi il manuale al capitolo 9.4.1 ed il modulo master dell'interfaccia AS per il metodo di impostazione dell'indirizzo.
 - a) Un altro indirizzo slave e l'indirizzo AL2-ASI-BD si sovrappongono.
Impostare l'indirizzo in modo che non ci siano conflitti.
 - b) L'indirizzo slave è 0.
Impostare un indirizzo slave valido dal modulo master dell'interfaccia AS.
 - 4) AL2-ASI-BD non è uno slave attivo sul lato del modulo master.
Controllare l'impostazione del modulo master.
Vedi il manuale del modulo master dell'interfaccia AS per il metodo di conferma.

15.11 Non si può comunicare con AL-PCS/WIN-E.

Controllare i seguenti punti.



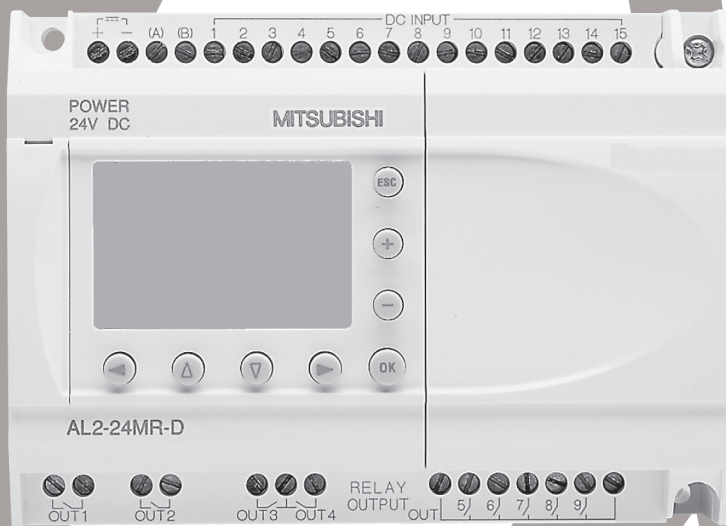
Osservazioni sull'uso

Usare la cassetta di memoria ed il cavo di comunicazione o il coperchio del connettore se installati senza errore.

Ciò provoca scossa elettrica e guasto.

- 1) Controllare collegamento del cavo (AL-232CAB).
Vedi il capitolo 7.2 sul metodo di collegamento.
- 2) Controllare la corrente alimentata al controllore $\alpha 2$.
Vedi il capitolo 4 sul circuito per l'alimentazione di corrente.
Inoltre vedi il capitolo 2.2 sulla specifica dell'alimentazione di corrente.
- 3) Verificare se l'interfaccia COM usata sul PC, a cui è collegato il cavo di collegamento (AL-232CAB), coincida con la regolazione della port di comunicazione nel software di programmazione. Se così non fosse, collegare il cavo alla relativa interfaccia COM del PC, o modificare la regolazione nel software di programmazione.
- 4) Se ha manutenzione remota con un modem.
 - a) Controllare se un setup del modem sul lato del controllore $\alpha 2$ è corretto.
Vedi il manuale di programmazione (2 ed il capitolo 7.3 per l'impostazione del modem collegato al lato del controllore $\alpha 2$.
 - b) Controllare il collegamento del cavo fatto dal cliente.
Per il collegamento del cavo, vedi il capitolo 7.3.2.
 - c) Controllare l'impostazione del modem sul lato del software di programmazione.
Controllare se il dischetto per un setup dell'allacciamento del sia installato correttamente.

SIMPLE APPLICATION CONTROLLER



ESP

Sistema $\alpha 2$

Manual de Hardware

Prólogo

- Este manual contiene textos, diagramas y explicaciones que guiarán al lector para la programación y operación correcta de un controlador serie $\alpha/\alpha 2$.
- Antes de intentar instalar o usar el controlador serie $\alpha/\alpha 2$ debe leer y comprender este manual.
- En caso de duda sobre cualquier etapa de la instalación del controlador serie $\alpha/\alpha 2$ no deje de consultar a un técnico electricista profesional autorizado y capacitado para aplicar las normas locales y nacionales correspondientes al lugar de la instalación.
- En caso de duda sobre la operación o uso del controlador serie $\alpha/\alpha 2$ consulte al distribuidor de Mitsubishi Electric más cercano.
- Si el equipo es utilizado en un modo no especificado por el productor, la protección proporcionada por el equipo puede ser afectada.
- Bajo ninguna circunstancia Mitsubishi Electric será responsable de cualquier daño o perjuicio consecuente que pueda producirse como resultado de la instalación o uso de este equipo.
- Todos los ejemplos y diagramas mostrados en este manual se proveen solamente como ayuda a la comprensión del texto, no para garantizar el funcionamiento u operación. Mitsubishi Electric no asumirá responsabilidad alguna sobre el uso real del producto basándose en estos ejemplos ilustrativos.
- Este producto se fabricó como pieza de uso general para industrias generales; no se diseñó ni fabricó para ser incorporado en un dispositivo o sistema utilizado con fines relacionados con la vida humana.
- Diríjase a un distribuidor de Mitsubishi Electric para más información sobre las aplicaciones en circunstancias críticas para la vida o en que se requiera alta fiabilidad.
- Cuando tenga que desechar este producto, trátelo como residuo industrial.
- Este manual está sujeto a cambios sin advertencia previa.

Este manual no confiere derecho alguno de propiedad industrial o ninguna otra clase de derechos, ni otorga licencias sobre patentes de ningún tipo. Mitsubishi Electric Corporation no admite responsabilidad alguna sobre posibles problemas respecto a derechos de propiedad industrial que pudieran producirse como resultado de utilizar el contenido indicado en este manual.

Sistema $\alpha 2$

Manual de hardware

ESP

Número:	JY992D97301
Revisión:	P
Fecha:	8/2023

Instrucciones de seguridad para el usuario y medidas de protección para las unidades

Este manual proporciona informaciones para el uso de los controladores de la serie $\alpha 2$. El manual ha sido elaborado para un empleo por personal competente y capacitado. Al respecto, se establece la siguiente definición en cuanto a la calificación de los operadores:

- a) Todo técnico, encargado de la planificación, proyección y construcción de instalaciones de la técnica de automatización en función del producto deberá disponer de conocimientos satisfactorios sobre el tema. Además, la formación y calificación deberá abarcar también el campo de las disposiciones competentes locales y nacionales. El técnico deberá disponer también de plenos conocimientos sobre todos los aspectos relacionados con la seguridad en el sector de técnica de automatización.
- b) Todo técnico encargado de la puesta en servicio o del servicio postventa tiene que conocer las disposiciones locales y nacionales relacionadas con la ejecución correcta y segura de las operaciones. El técnico también tiene que haber sido formado en el manejo y mantenimiento de las unidades de producción. Esto encuentra aplicación para toda la familia de productos con todas las respectivas documentaciones. Todas las unidades de mantenimiento se deberán realizar siempre de acuerdo con los aspectos de seguridad corrientes.
- c) Todo operario de la unidad deberá disponer de la formación correspondiente que permita un manejo seguro de la unidad. Asimismo se deberán observar en todo momento los aspectos de seguridad corrientes. El operario se deberá familiarizar también con el contenido de la documentación de las otras unidades de la instalación.

Nota: Bajo la expresión “Las otras unidades de la instalación” se entienden todas las demás unidades de la instalación de automatización, que están relacionadas con el roducto y con las respectivas informaciones en el manual.

Para la limpieza hacerlo en seco sin utilizar productos químicos.

Observaciones sobre los símbolos empleados en este manual

En este manual se emplean diversos símbolos que permiten resaltar informaciones determinadas. Con ello, se le ofrece a los operarios las indicaciones correspondientes sobre las medidas de seguridad y de protección. Cada vez que se presente un símbolo, se tiene que leer la indicación pertinente, teniéndose que entender la información obtenida. A continuación se expone una relación de todos los símbolos con una breve descripción de su significado.

ESP

Indicaciones de aviso del Hardware



- 1) Indica un peligro inminente, que puede conducir a daños personales o materiales.



- 2) Indica la posibilidad de un peligro, que puede conducir a daños personales o materiales.



- 3) Indica un punto con indicaciones o aclaraciones adicionales.

Indicaciones de aviso del Software



- 4) Señala una indicación explícita de advertencia, que tiene que ser observada en todo caso durante la programación.



- 5) Señala una indicación especial, que deberá ser observada por el usuario junto con el servicio de la unidad.



- 6) Señala un punto con indicaciones o aclaraciones adicionales.

- La MITSUBISHI ELECTRIC no asumirá responsabilidad alguna por los daños que se produzcan a causa de una instalación inadecuada o de un servicio inapropiado de las unidades o de los accesorios.
- Todos los ejemplos e ilustraciones incluidos en este manual sirven exclusivamente para facilitar el entendimiento del texto. No se puede asumir responsabilidad alguna en cuanto a la exactitud de las operaciones de manejo expuestas. La MITSUBISHI ELECTRIC no asumirá ninguna responsabilidad en el caso de un empleo del producto, que se refiera a los ejemplos expuestos en este manual.
- Debido a la gran variedad de posibilidades de aplicación de este equipo, el usuario mismo deberá realizar la adaptación para su caso de aplicación específico.

Otros listados de manuales de información

	Nombre del manual	Nº del manual.	Descripción
<input checked="" type="radio"/>	Manual de Hardware $\alpha 2$ (Este manual)	JY992D97301	Este manual contiene explicaciones sobre el hardware para el cableado, la instalación y las especificaciones para los controladores de la serie $\alpha 2$.
<input checked="" type="radio"/>	Manual de programación $\alpha 2$ <Sólo en inglés>	JY992D97101	Este manual contiene las explicaciones de instrucción para los controladores de la serie $\alpha 2$.
<input type="radio"/>	Manual del software α <Sólo en inglés>	JY992D74001	Este manual contiene las explicaciones sobre la operación del software de programación AL-PCS/WIN-E.
<input type="radio"/>	Manual del usuario para la comunicación de los equipos de la serie $\alpha 2$ <Sólo en inglés>	JY992D97701	Este manual contiene las explicaciones para la configuración, los mensajes, diagnósticos, la asignación de bits, etc. de hardware para las comunicaciones que usan los controladores de la serie $\alpha 2$.
<input type="checkbox"/>	Manual de Instalación serie $\alpha 2$	JY992D97501	Este manual contiene las explicaciones sobre el hardware para la instalación de los controladores de la serie $\alpha 2$.
<input type="checkbox"/>	Manual de Instalación AL2-4EX, AL2-4EX-A2, AL2-4EYR, AL2-4EYT	JY992D97401	Este manual contiene las explicaciones sobre el hardware para la instalación de los módulos de extensión AL2-4EX, AL2-4EX-A2, AL2-4EYR y AL2-4EYT.
<input type="checkbox"/>	Manual de hardware AL2-EEPROM-2	JY992D96801	Este manual contiene las explicaciones sobre el hardware para la instalación de AL2-EEPROM-2.
<input type="checkbox"/>	AL2-2DA Instrucciones de instalación	JY997D09301	Este manual describe el hardware y la instalación del AL2-2DA.
<input type="checkbox"/>	AL2-2PT-ADP Manual de instalación	JY997D09401	Este manual describe el hardware y la instalación del AL2-2PT-ADP.
<input type="checkbox"/>	AL2-2TC-ADP Manual de instalación	JY997D09501	Este manual describe el hardware y la instalación del AL2-2TC-ADP.
<input type="checkbox"/>	Manual de hardware AL-232CAB	JY992D76001	Este manual contiene las explicaciones sobre el hardware para la instalación de AL-232CAB.
<input type="checkbox"/>	Manual de hardware AL2-GSM-CAB	JY992D97201	Este manual contiene las explicaciones sobre el hardware para la instalación de AL2-GSM-CAB.
<input type="checkbox"/>	Manual de hardware AL-ASI-BD, AL2-ASI-BD	JY992D81402	Este manual contiene las explicaciones sobre el cableado, la instalación y las especificaciones, etc. de hardware para ALASI-BD y AL2-ASI-BD.

Refiérase a estos manuales.

Refiérase a este manual si fuese necesario.

Refiérase al contenido de estos manuales si fuese necesario, aunque esté incluido en el Manual de hardware $\alpha 2$.

Abreviaciones

En este manual se aplican las siguientes abreviaciones:

- El software de programación AL-PCS/WIN-E se denomina con Software VLS o bien como „Software de programación“.
- Para el control $\alpha 2$ se utilizan las denominaciones „Serie $\alpha 2$ “, „Control $\alpha 2$ “ o bien „Aparato base“.
- Los bloques de función se abrevian con „BF“.
- „DBF“ es la abreviación para el diagrama de bloque de función.
- Las entradas y salidas se abrevian con „E/S“.
- Un computador personal se denomina como „PC“.
- „Windows“ es la denominación general para los sistemas de operación Microsoft Windows[®], Windows[®] 95, Windows[®] 98, Windows[®] Me, WindowsNT[®] Workstation 4.0, Windows[®] 2000, Windows[®] XP, así como Windows Vista[®].

Uso de marcas registradas y marcas

- Microsoft Windows[®], Windows[®] 95, Windows[®] 98, Windows[®] Me, WindowsNT[®] Workstation 4.0, Windows[®] 2000, Windows[®] XP y Windows Vista[®] son marcas registradas o bien marcas de la Microsoft Corporation en los EE.UU. y/u otros países.
- Los nombres de empresas y productos mencionados en este manual son marcas registradas o marcas de las empresas respectivas.

Contenido

Instrucciones de Seguridad.....	ESP-iii
1. Introducción.....	ESP-1
1.1 Las características especiales del sistema $\alpha 2$ son;.....	ESP-2
1.2 Modelos disponibles.....	ESP-4
1.3 Dimensiones y denominación de las partes.....	ESP-5
1.4 Configuración del sistema.....	ESP-7
1.5 Listado de las versiones.....	ESP-8
1.6 Software de programación aplicable.....	ESP-8
2. Especificaciones.....	ESP-9
2.1 Especificación de carácter general.....	ESP-9
2.2 Entradas.....	ESP-10
2.3 Salidas.....	ESP-12
2.4 Especificación general.....	ESP-13
3. Instalación.....	ESP-15
3.1 Observaciones sobre el emplazamiento.....	ESP-15
3.2 CARRIL DIN Montaje de la unidad principal.....	ESP-16
3.2.1 Instalación.....	ESP-16
3.2.2 Desmontaje.....	ESP-16
3.3 Montaje directo de la unidad principal.....	ESP-17
3.4 Instalación del módulo de extensión(AL2-14MR-*,AL2-24MR-*)......	ESP-18
4. Alambrado.....	ESP-19
4.1 Notas sobre los alambres de instalación.....	ESP-19
4.2 Tamaño de cable.....	ESP-20
4.3 Alimentación de tensión.....	ESP-21
4.4 Cableado de la alimentación CA y la entrada.....	ESP-22
4.4.1 Cableado de la alimentación CA y la entrada.....	ESP-22
4.4.2 Cableado de la entrada AL2-4EX-A2.....	ESP-22
4.5 Cableado de la alimentación CC y la entrada.....	ESP-23
4.5.1 Esquema de cableado de la alimentación CC y fuente de poder (terminal "+").....	ESP-23
4.5.2 Esquema de conexión de entrada de la fuente de poder AL2-4EX (terminal "+").....	ESP-23
4.5.3 Esquema de conexión de entrada de alimentación CC y drenaje (terminal "-").....	ESP-24
4.5.4 Esquema de conexión de entrada de drenaje AL2-4EX (terminal "-").....	ESP-24
4.6 Cableado las salidas de relé y de transistor.....	ESP-25
4.6.1 Esquema de conexión de salida de relé de la unidad principal (CA y/o CC).....	ESP-25
4.6.2 Esquema de conexión de salida de relé AL2-4EYR (CA y/o CC).....	ESP-26
4.6.3 Salida de transistor (Fuente de poder o sólo terminal "+") AL2-4EYT.....	ESP-27
5. Ocupaciones de bornes.....	ESP-28

6. AL2-EEPROM-2	ESP-31
6.1 Installation	ESP-32
7. AL-232CAB	ESP-33
7.1 Introducción	ESP-33
7.1.1 Dimensiones externas	ESP-33
7.2 Conectado con un cable AL-232CAB	ESP-34
8. AL2-GSM-CAB	ESP-37
8.1 Introducción	ESP-37
8.1.1 Dimensiones externas	ESP-37
8.1.2 Configuración del sistema usando AL2-GSM-CAB	ESP-38
8.2 Instalación	ESP-39
8.3 Mantenimiento a distancia mediante un módem	ESP-41
8.3.1 Módems recomendados	ESP-41
8.3.2 Cable directo RS-232C entre el módem y AL2-GSM-CAB	ESP-41
8.3.3 Programación del módem	ESP-42
9. AL2-ASI-BD (AL2-14MR-*, AL2-24MR-*)	ESP-45
9.1 INTRODUCCIÓN	ESP-45
9.1.1 Dimensiones externas	ESP-45
9.1.2 Configuración del sistema	ESP-46
9.2 ESPECIFICACIONES	ESP-46
9.3 CONEXIONADO E INSTALACIÓN	ESP-47
9.3.1 Instalación	ESP-47
9.3.2 Alambrado	ESP-48
9.4 Asignación de Direcciones al Esclavo y Diagnóstico	ESP-48
9.4.1 Asignación de Direcciones al Esclavo	ESP-48
9.4.2 Comprobaciones a Realizar en Caso de Error	ESP-48
10. Reloj sincronizado por radio DCF77	ESP-49
10.1 Vista sinóptica	ESP-49
10.2 Configuración del sistema	ESP-50
10.3 Datos técnicos	ESP-50
10.4 Conexión	ESP-52
10.4.1 Cableado	ESP-52
10.4.2 Ajuste DCF77 de la pantalla $\alpha 2$	ESP-53
10.4.3 Inicio automático	ESP-54
10.4.4 Parada automática	ESP-54
10.4.5 Verificación de la hora recibida	ESP-54
11. AL2-2DA (AL2-14MR-*, AL2-24MR-*)	ESP-55
11.1 Vista sinóptica	ESP-56
11.1.1 Dimensiones exteriores	ESP-56
11.1.2 Configuración del sistema	ESP-56
11.2 Datos técnicos	ESP-57
11.3 Instalación y cableado	ESP-58
11.3.1 Instalación	ESP-58
11.3.2 Cableado	ESP-59
11.3.3 Diagnóstico de fallas	ESP-60

12.AL2-2PT-ADP	ESP-61
12.1 Vista sinóptica	ESP-62
12.1.1 Dimensiones exteriores	ESP-62
12.2 Configuración del sistema	ESP-62
12.3 Datos técnicos	ESP-63
12.4 Instalación y cableado	ESP-65
12.4.1 Instalación	ESP-65
12.4.2 Cableado	ESP-66
12.4.3 Selección de una unidad de medida para la temperatura	ESP-67
12.4.4 Compensación de la desviación	ESP-68
12.4.5 Compensación de la amplificación	ESP-69
12.4.6 Compensación de precisión de la desviación	ESP-71
12.4.7 Diagnóstico de fallas	ESP-72
13.AL2-2TC-ADP	ESP-73
13.1 Vista sinóptica	ESP-74
13.1.1 Dimensiones exteriores	ESP-74
13.2 Configuración del sistema	ESP-74
13.3 Datos técnicos	ESP-75
13.4 Instalación y cableado	ESP-77
13.4.1 Instalación	ESP-77
13.4.2 Cableado	ESP-78
13.4.3 Selección de una unidad de medida para la temperatura	ESP-79
13.4.4 Compensación de la desviación	ESP-80
13.4.5 Compensación de la amplificación	ESP-81
13.4.6 Compensación de precisión de la desviación	ESP-83
13.4.7 Diagnóstico de fallas	ESP-84
14.Listas de teclas, bits de sistema y bloques de función.....	ESP-85
14.1 Listas de teclas	ESP-85
14.2 Listas de bits de sistema	ESP-86
14.2.1 Listas de bit de sistema	ESP-86
14.2.2 Lista de bit de control	ESP-87
14.3 Listas de bloque de función	ESP-88
15.Diagnósticos	ESP-93
15.1 IError de estado de entrada.....	ESP-94
15.2 Error de estado de salida	ESP-94
15.3 El MENÚ PRINCIPAL no se visualiza	ESP-95
15.4 No se puede ingresar al modo Funcionamiento	ESP-96
15.5 Datos del reloj incorrectos	ESP-96
15.6 En el visualizador aparece "?"	ESP-96
15.7 No se puede usar una tecla de operación	ESP-97
15.8 Visualizador de cristal líquido incorrecto	ESP-98
15.9 La casete de memoria no funciona correctamente	ESP-98
15.10No se puede comunicar con el módulo maestro de la interfaz AS	ESP-100
15.11No se puede comunicar con AL-PCS/WIN-E.....	ESP-101

1. Introducción

La serie $\alpha 2$ puede utilizarse fácilmente en lugares donde se necesite control para la fábrica. Las salidas del controlador operan en secuencia ON/OFF (conectado/desconectado) para controlar equipos eléctricos por el programa de bloque de función.

En el Manual de programación $\alpha 2$ se puede encontrar la explicación de las instrucciones y la operación de la unidad principal. Una explicación sobre el software de programación AL-PCS/WIN-E se puede encontrar en el Manual de software de la serie $\alpha 2$.

Aplicaciones

La serie $\alpha 2$ fue diseñada para el uso en aplicaciones automáticas que incluyen las mencionadas a continuación.

- Automatización de luces, aire acondicionado o sistemas de riego
- Abertura y cierre de portones
- Sistemas de seguridad simples
- Sistemas de distribución de alimentación para animales domésticos o mascotas
- Control de corrales de ganado e invernaderos

No obstante, la serie $\alpha 2$ no fue diseñada para su uso en las siguientes aplicaciones. Le rogamos ponerse en contacto con un distribuidor de Mitsubishi para obtener más informaciones.

- Aplicaciones donde se requiere una alta confiabilidad, tales como control de energía nuclear, servicios de ferrocarriles, servicios de líneas aéreas, vehículos, equipamiento de combustión y equipamiento médico.
- Aplicaciones en situaciones críticas para la vida.

1.1 Las características especiales del sistema $\alpha 2$ son;

- 1) Visualización de los datos de mensaje y del bloque de función
La serie $\alpha 2$ puede visualizar el estado de operación y alarma como un mensaje en el visualizador de cristal líquido. Puede visualizar los siguientes contenidos mediante el uso de visualización del bloque de función. En el modo RUN (funcionamiento) puede modificarse el valor de los temporizadores y contadores visualizados.
 - Cantidad total de caracteres en la visualización de cristal líquido (LCD): 12 caracteres x 4 líneas
 - Items de la visualización: Mensaje, valor (actual o programado) del temporizador y contador, valores analógicos, etc.
- 2) La programación en el computador personal es rápido y fácil
Con el software de programación AL-PCS/WIN-E para Windows se pueden crear y guardar programas. Se puede llevar a cabo la programación usando un modo gráfico donde se usan líneas para conectar los bloques de función en la pantalla de programación. También está disponible la programación directa usando las teclas del panel frontal del controlador $\alpha 2$.
- 3) Imagen LCD enviado vía módem GSM
El $\alpha 2$ (AL2-14MR-*,AL2-24MR-*) series è in grado di mandare l'immagine LCD come E-mail. usando un modem a GSM. Mediante el correo electrónico, la serie $\alpha 2$ es capaz de enviar la imagen LCD vía módem GSM. El usuario puede monitorear el estado de la aplicación a través del acceso al mensaje de diagnóstico enviado por correo electrónico vía módem GSM.
- 4) Soporta enlace de computadores mediante protocolo dedicado
La serie $\alpha 2$ (AL2-14MR-*,AL2-24MR-*) soporta enlaces de computadores (protocolo dedicado). Mediante el enlace de computadores, el software de aplicación específica del usuario puede modificar los datos de programa, los parámetros dentro de los bloques de función, así como proporcionar el monitoreo de condición de la aplicación.
- 5) Perfeccionamiento de función del reloj
La función del reloj semanal y del reloj de calendario tiene muchos interruptores que se pueden programar y que proporcionan poderosas capacidades de control dependiente del tiempo.
- 6) Entrada analógica, 0 - 10V/0 - 500, -50°C – 200°C (PT100), -50°C – 450°C (Termoelemento tipo K)
La entrada CD para la serie $\alpha 2$ puede aceptar señales de 0 - 10V con una resolución de 0 - 500.
- 7) Salida analógica, 0 – 4000 / 0 - 10V, 0 - 2000 / 4 - 20mA
Con el control $\alpha 2$ pueden emitirse tensiones y corrientes.
- 8) Contador de alta velocidad, Máx. 1kHz
La serie $\alpha 2$ tiene contadores de alta velocidad (máx. 2 puntos) al usar AL2-4EX (EI1, EI2).

9) Capacidad de salida de corriente alta

Tabla 1.1: Capacidad de salida de corriente alta

Output Type		Capacidad
RELÉ	AL2-10MR-*: O01 - O04 AL2-14MR-*: O01 - O06 AL2-24MR-*: O01 - O04	8A/común
	AL2-24MR-*: O05 - O09 AL2-4EYR: EO1 - EO4	2A/punto (4A/común)
TRANSISTOR	AL2-4EYT: EO1 - EO4	1A/punto

10)EEPROM integrada

La EEPROM integrada elimina la necesidad de datos respaldados por batería.

11)Soporte en 7 idiomas:

La serie $\alpha 2$ soporta 7 idiomas (inglés, alemán, francés, italiano, español, sueco y ruso^{*1}). El idioma del visualizador se puede seleccionar en el MENÚ PRINCIPAL.

*1 V.3.00 o superior

1.2 Modelos disponibles

Tabla 1.2: Unidad Principal

Modelo	Alimentación de tensión	Entradas		Salidas		Dimensiones mm	Peso kg
		Tipo	Points	Tipo	Points		
AL2-10MR-A	100 - 240V CA~	100 - 240V CA~	6	RELÉ	4	71,2 x 90 x 52	0,21
AL2-10MR-D	24V CC	24V CC Sink/Source	6	RELÉ	4		0,20
AL2-14MR-A	100 - 240V CA~	100 - 240V CA~	8	RELÉ	6	124,6 x 90 x 52	0,30 ^{*1}
AL2-14MR-D	24V CC	24V CC Sink/Source	8	RELÉ	6		
AL2-24MR-A	100 - 240V CA~	100 - 240V CA~	15	RELÉ	9		0,35 ^{*1}
AL2-24MR-D	24V CC	24V CC Sink/Source	15	RELÉ	9		0,30 ^{*1}

*1 Sin módulos de función especial

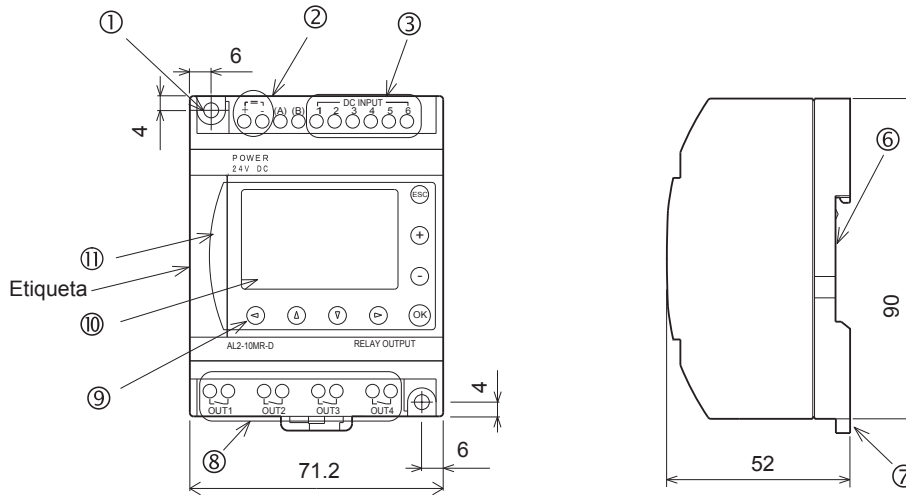
Tabla 1.3: Módulo de Extensión

Modelo	Entradas		Salidas		Peso kg
	Tipo	Points	Tipo	Points	
AL2-4EX-A2	220 - 240V CA~	4	—		0,05
AL2-4EX	24V CC, Sink/Source	4	—		
AL2-4EYR	—		RELÉ	4	
AL2-4EYT	—		TRANSISTOR	4	
AL2-ASI-BD	Interfaz AS (entradas)	4	Interfaz AS (salidas)	4	
AL2-2DA ^{*1}	—		Salida analógica („0 – 10 V“ oder „4 – 20 mA)	2	
AL2-2PT-ADP ^{*1}	Adaptador medidor de temperatura (PT100)	2	Analógico (0 a 10 V)	2	
AL2-2TC-ADP ^{*1}	Adaptador medidor de temperatura (Termoelemento tipo K)	2	Analógico (0 a 10 V)	2	

*2 El módulo de amplificación AL2-2DA y el adaptador AL2-2PT-ADP y AL2-2TC-ADP pueden aplicarse sólo en conjunto con un aparato base $\alpha 2$ en la versión V2.00 o superior.

1.3 Dimensiones y denominación de las partes

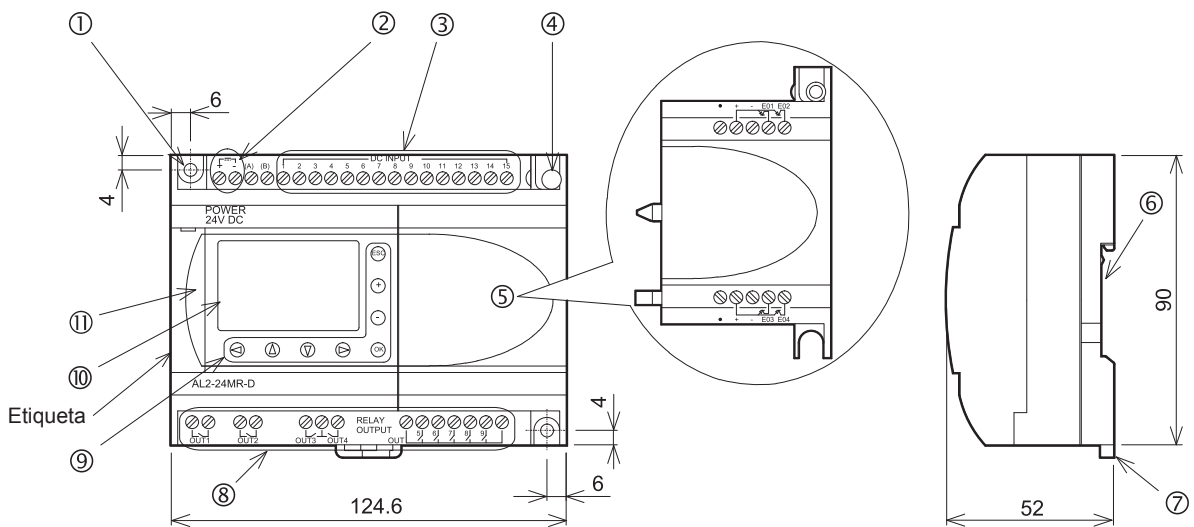
Figura 1.1: Denominación de las partes(AL2-10MR-*)



Etiqueta impresa

⚠ es un simbolo que indica de utilizar el cable con una temperatura nominal apropiada (80 °C o superior) para el cableado.

Figura 1.2: Denominación de las partes(AL2-14MR-*,AL2-24MR-*)



Etiqueta impresa

⚠ es un simbolo que indica de utilizar el cable con una temperatura nominal apropiada (80 °C o superior) para el cableado.

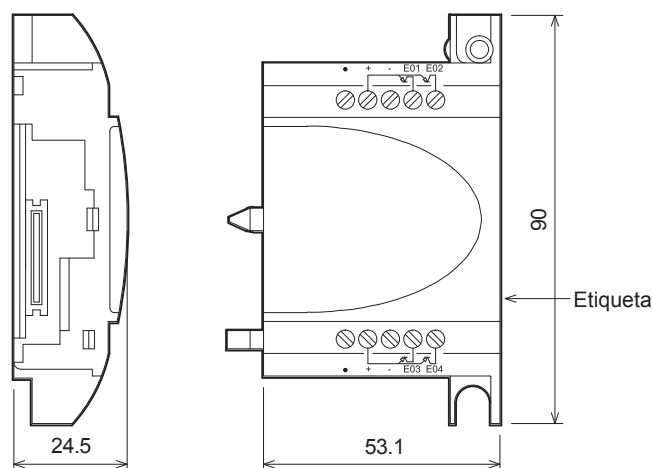
ESP

Tabla 1.4: Denominación de las partes

No.	Descripción
1	Orificio de montaje, Dia. 4,2 mm
2	Bornes de tensión
3	Bornes de entrada
4	Tornillo de montaje para la cubierta de extensión o el módulo de extensión
5	Cubierta de extensión o módulo de extensión (AL2-14MR-*,AL2-24MR-*)
6	Ranura de montaje para carril DIN (ancho del riel DIN 35 mm <DIN EN 50022>)
7	DIN-RAIL Grapas de montaje
8	Bornes de salida
9	Teclado de operación
10	Visualizador de cristal líquido
11	Cubierta del puerto de programación

**Observación**

- Las dimensiones del AL-232CAB se describen en el capítulo 7.
- Las dimensiones del AL2-GSM-CAB se describen en el capítulo 8.
- Las dimensiones del AL2-ASI-BD se describen en el capítulo 9.
- Las dimensiones del AL2-2DA se describen en el capítulo 11.
- Las dimensiones del AL2-2PT-ADP se describen en el capítulo 12.
- Las dimensiones del AL2-2TC-ADP se describen en el capítulo 13.

Figura 1.3: Dimensiones (AL2-4EX, AL2-2EX-A2, AL2-4EYR, AL2-4EYT)**Etiqueta impresa**

⚠ es un símbolo que indica de utilizar el cable con una temperatura nominal apropiada (80 °C o superior) para el cableado.

1.4 Configuración del sistema

Figura 1.4: Configuración del sistema(AL2-10MR-*)

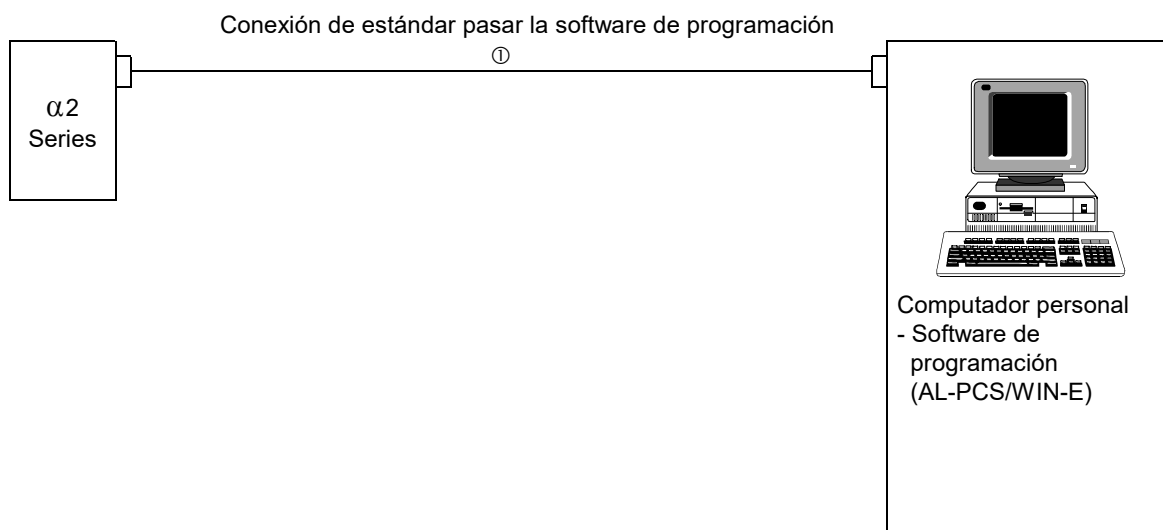
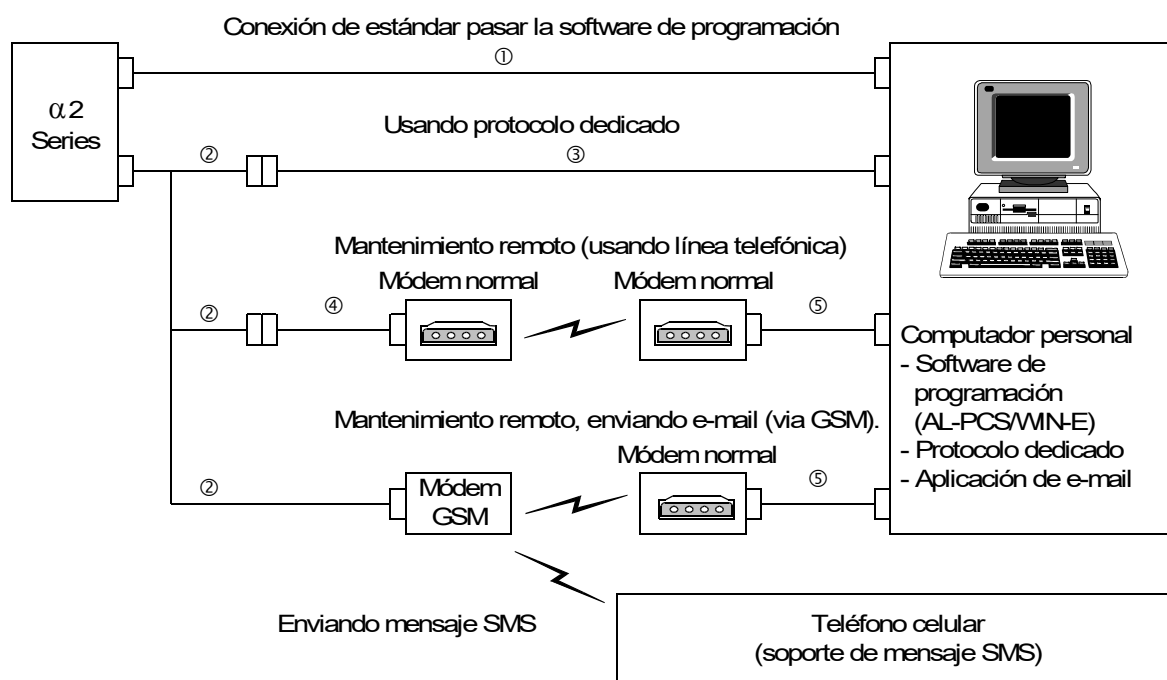


Figura 1.5: Configuración del sistema(AL2-14MR-*,AL2-24MR-*)



ESP

Tabla 1.5: Configuración del sistema

Item	Cable utilizado
1	AL-232CAB
2	AL2-GSM-CAB
3	RS-232C cable transversal *1
4	RS-232C cable directo para el módem *1
5	RS-232C cable directo para el módem (especificado por el fabricante del módem)

*1 En el capítulo 8 se puede encontrar información adicional.

1.5 Listado de las versiones

Tabla 1.6: Desarrollo del control $\alpha 2$

Versión	Descripción
V1.00	Primer producto
V2.00	Soporta: <ul style="list-style-type: none"> • AL2-2DA, AL2-2PT-ADP y AL2-2TC-ADP • Nuevos bloques de función AO [Salida analógica] y PID [Regulación PID] • Reloj sincronizado por radio DCF77
V2.20	Soporta: <ul style="list-style-type: none"> • Nuevos bloques de funciones SMR[Recepción de mensajes breves] y CD[Detección de llamada] • Protección mejorada del programa del usuario • Configuración mejorada de hora de verano • Protocolo de comunicación exclusivo mejorado • GSM SIM PIN • Cadena de inicialización del módem
V3.00	Soporta: <ul style="list-style-type: none"> • El contador horario es respaldado por EEPROM (No.197 - 200) • Lectura del Compensador de Pantalla por Protocolo Exclusivo • Añadidura del idioma ruso

1.6 Software de programación aplicable

Tabla 1.7: Software de programación utilizable

Versión del control $\alpha 2$	Versión del software de programa (AL-PCS/WIN-E)
V1.00	V2.00 o superior
V2.00	V2.30 o superior
V2.20	V2.40 o superior
V3.00	V2.50 o superior

Observación

- Las versiones AL-PCS/WIN-E anteriores a V2.00 no pueden comunicarse con la serie $\alpha 2$.
- No aplique los módulos de amplificación y adaptadores AL2-2DA, AL2-2PT-ADP y AL2-2TC-ADP en ningún caso en conjunto con AL-PCS/WIN-E software con una versión inferior al V2.30.

2. Especificaciones



Observación

- Los datos técnicos del AL2-ASI-BD se encuentran en el capítulo 9.
- Los datos técnicos del AL2-2DA se encuentran en el capítulo 11.
- Los datos técnicos del AL2-2PT-ADP se encuentran en el capítulo 12.
- Los datos técnicos del AL2-2TC-ADP se encuentran en el capítulo 13.

2.1 Especificación de carácter general

Tabla 2.1: Especificación de carácter general

Descripción	Modelo	Especificación
Alimentación de tensión	AL2-***-A	100 - 240V CA~, +10% -15%, 50 / 60 Hz
	AL2-***-D	24V CC, +20% -15%
Tiempo máximo admisible de fallo de tensión	AL2-***-A	10ms
	AL2-***-D	5ms
Corriente de irrupción	AL2-***-A, 240V CA~ (120V CA~)	$\leq 6,5$ A (3,5 A) < 5ms
	AL2-***-D, 24V CC	$\leq 7,0$ A
Consumo eléctrico máximo	AL2-10MR-A, 264V CA~	4,9 W
	AL2-10MR-D, 28.8V CC	4,0 W
	AL2-14MR-D, 28.8V CC	7,5 W
	AL2-24MR-A, 264V CA~	7,0 W
	AL2-24MR-D, 28.8V CC	9,0 W
Consumo eléctrico típico (sin módulos de función especial)	AL2-10MR-A, 240V CA~	E/S „1“ - 3,5 W, E/S „0“ - 1,85W
	AL2-10MR-A, 120V CA~	E/S „1“ - 3,0 W, E/S „0“ - 1,55W
	AL2-10MR-D, 24V CC	E/S „1“ - 2,5 W, E/S „0“ - 0,75W
	AL2-14MR-A, 240V CA~	E/S „1“ - 4,5 W, E/S „0“ - 2,0W
	AL2-14MR-A, 120V CA~	E/S „1“ - 3,5 W, E/S „0“ - 1,5 W
	AL2-14MR-D, 24V CC	E/S „1“ - 4,0 W, E/S „0“ - 1,0 W
	AL2-24MR-A, 240V CA~	E/S „1“ - 5,5 W, E/S „0“ - 2,5 W
	AL2-24MR-A, 120V CA~	E/S „1“ - 4,5 W, E/S „0“ - 2,0 W
	AL2-24MR-D, 24V CC	E/S „1“ - 5,0 W, E/S „0“ - 1,0 W
Fusible	AL2-***-A AL2-10MR-D	Clasificación: 250 V 1 A Type: Time Lag
	AL2-14MR-D AL2-24MR-D	Clasificación: 250 V 500 mA Type: Time Lag

ESP

2.2 Entradas

Tabla 2.2: Datos técnicos de las entradas para CA

Descripción	Especificación		
	Unidad Principal		AL2-4EX-A2
	AL2-10MR-A: I01~I06 AL2-14MR-A, AL2-24MR-A: I01~I08	AL2-24MR-A: I09 - I15	EI1 - EI4
Tensión de entrada	100 - 240V CA~, +10% -15%, 50/60 Hz		220 - 240V CA~, +10% -15%, 50/60 Hz
Impedancia de entrada	0,13mA / 120V CA~*1 0,25mA / 240V CA~*1	0,15mA / 120V CA~*1 0,29mA / 240V CA~*1	7,5mA / 240V CA~ 50Hz 9,0mA / 240V CA~ 60Hz
Corriente de entrada	$\geq 800 \text{ k}\Omega$		32k Ω (50Hz) 27k Ω (60Hz)
Señal 0 -> Señal 1 / Señal 1 -> Señal 0	$\geq 80V / \leq 40V$		$\geq 160V / \leq 40V$
Tiempo de reacción	OFF \rightarrow ON	35-85ms / 120V CA~ 25-55ms / 240V CA~	15 - 40ms / 240V CA~
	ON \rightarrow OFF	35-85ms / 120V CA~ 50-130ms / 240V CA~	
Circuito de aislamiento	No		Optocoplador
Indicador de funcionamiento	Visualizador de cristal líquido		

*1 La fuga de corriente que procede de los sensores conectados a las entradas puede suministrar corriente suficiente para conectar el controlador. No utilizará dos sensores de cable.

Tabla 2.3: Especificaciones de entrada

Description				Sink ("-" Common)	Source ("+" Common)
Tensión de entrada				24V CC +20% -15%	24V CC +20% -15%
Corriente de entrada	Unidad Principal	AL2-10MR-D	I01 - I06	5,5mA, 24V CC	6,0mA, 24V CC
		AL2-14MR-D	I01 - I08		5,5mA, 24V CC
		AL2-24MR-D	I09 - I15		
	AL2-4EX		EI1 - EI4	5,4mA, 24V CC	5,4mA, 24V CC
Señal 0 -> Señal 1 / Señal 1 -> Señal 0	Unidad Principal		I01 - I15	Corriente: $\geq 4,7\text{mA} / \leq 1,1\text{mA}$ Tensión: $\leq 4\text{V} / \geq 18\text{V}$	Voltaje: $\geq 18\text{V} / \leq 4\text{V}$
	AL2-4EX		EI1 - EI4	Tensión: $\geq 18\text{V} / \leq 4\text{V}$	Voltaje: $\geq 18\text{V} / \leq 4\text{V}$
Tiempo de reacción	Unidad Principal			10 - 20ms	
	AL2-4EX *1			10 - 20ms	
Circuito de aislamiento	Unidad Principal			No	
	AL2-4EX			Optocoplador	
Indicador de funcionamiento				Visualizador de cristal líquido	

*1 EI1 y EI2 en el AL2-4EX pueden usarse para las entradas del contador de alta velocidad. Así, el tiempo de respuesta para las entradas del contador de alta velocidad es de 0,5 ms o menos.

Tabla 2.4: Datos técnicos de las entradas para análogo (Sólo la unidad del tipo AL2-*-D)**

Descripción	Especificación
Número de entrada analógica	6 (I01 - I06) : AL2 - 10MR - D
	8 (I01 - I08) : AL2 - 14MR - D, AL2 - 24MR - D
Promedio de entrada analógico	0 - 500
Resolución	9 bit, 20mV (10V/ 500)
Velocidad de conversión	8ms
Tensión de entrada	0 - 10V CC
Impedancia de entrada	142 k Ω \pm 5%
Exactitud general	\pm 5% (0.5V CC)
Desviación/Ganancia	Valor desviación = 0 at 0V CC Valor ganancia: 0 - 10V = 0 - 500 Estos valores por defecto se pueden cambiar en Desviación FB
Deriva térmica	\pm 3 LSB

2.3 Salidas

Tabla 2.5: Datos técnico de las salidas de relé

Descripción		Relé Especificación
Tensiones de conexión		250V CA~ o menos, 30V CC o menos
Carga resistiva máxima	AL2-10MR-* (O01 - O04)	8A/común
	AL2-14MR-* (O01 - O06)	
	AL2-24MR-* (O01 - O04)	
	AL2-24MR-* (O05 - O09)	2A/punto (4A/común)
	AL2-4EYR (EO1 - EO4)	1A/punto
Ciclo de vida del contacto / Carga resistencia	AL2-10MR-* (O01 - O04)	100000 ciclos 8 A / 240V CA~ o 24V CC
	AL2-14MR-* (O01 - O06)	
	AL2-24MR-* (O01 - O04)	
	AL2-24MR-* (O05 - O09)	100000 ciclos 2 A / 240V CA~ o 24V CC
	AL2-4EYR (EO1 - EO4)	
Carga mínima		50mW (10mA a 5V CC)
Carga inductiva máxima	AL2-10MR-* (O01 - O04)	249 VA (1/3 hp) / 125V CA~, 373 VA (1/2 hp) / 250V CA~
	AL2-14MR-* (O01 - O06)	
	AL2-24MR-* (O01 - O04)	
	AL2-24MR-* (O05 - O09)	93 VA (1/8 hp) / 125V CA~, 93 VA (1/8 hp) / 250V CA~
	AL2-4EYR (EO1 - EO4)	
Tiempo de reacción		$\leq 10\text{ms}$
Indicador de funcionamiento		Visualizador de cristal líquido
Resistencia de aislamiento		para relé

Tabla 2.6: Especificaciones de la salida de transistor (Sólo modelo con fuente) de AL2-4EYT

Descripción	Transistor Especificación
Tensiones de conexión	5 - 24V CC (+20%, -5%)
Carga resistiva máxima	1A / point (8 - 24V CC), 0.1A / point (5 - 8V CC)
Carga mínima	1,0mA
Carga inductiva máxima	1A / 24V CC (24 W)
Tiempo de reacción 1 -> 0 / 0 -> 1	$\leq 1\text{ ms}$
Corriente de fuga	$\leq 0,1\text{mA} / 24\text{V CC}$
Indicador de funcionamiento	Visualizador de cristal líquido
Visualizador de cristal líquido	No

2.4 Especificación general

Tabla 2.7: Especificaciones de entorno y eléctricas

Descripción	Especificación
Método de programación	Bloque de función
Capacidad del programa	200 Bloques de función o 5000 bytes
Método de almacenamiento en el programa	EEPROM integrado (no se requiere sustituto de batería) o casete opcional EEPROM
Dispositivo de copia de seguridad	20 días 25°C / 77°F (por condensador)
Copia de seguridad usando el reloj de tiempo real (RTR)	20 días 25°C / 77°F (por condensador)
Precisión RTR	5 s / day (25°C / 77°F)
Temperatura de servicio	Hardware del controlador: (-25) - 55°C / (-13) - 131°F Visualizador del controlador: (-10) - 55°C / 14 - 131°F
Temperatura de almacenamiento	(-30) - 70 °C / (-22) - 158°F
Resistencia a las vibraciones Montaje directo	conforme con IEC 68-2-6; 10-57 Hz: 0,15 mm amplitud constante 57-150 Hz: 19,6 m/s ² Acceleración Conteo de barrido para X,Y,Z: 10 veces (80 min. en cada dirección)
Resistencia a las vibraciones Montaje en raíl DIN	conforme con IEC 68-2-6; 10-57 Hz: 0,075 mm amplitud constante 57-150 Hz: 9,8 m/s ² Acceleración Conteo de barrido para X,Y,Z: 10 veces (80 min. en cada dirección)
Resistencia al choque	conforme con IEC 68-2-27:147m/s ² Acceleración, Tiempo de acción: 11 ms 3 veces en cada dirección X, Y y Z
Inmunidad al ruido	1000Vpp, 1 microsegundo, 30 - 100 Hz, probado por simulador de ruidos
Humedad	Humedad relativa 35-85%, sin condensación
Resistencia a tensiones eléctricas	3750 V CA~ durante un minuto entre los siguientes puntos: Terminales de entrada de potencia y terminales de salida de relé Terminal de salida de relé y terminal de salida de relé Todos los terminales y la caja de control DIN 43880 ó sus equivalentes
Resistencia de aislamiento	7 M Ω a 500 V CC entre los siguientes puntos: Terminales de potencia /entrada y terminales de salida de relé Terminal de salida de relé y terminal de salida de relé Todos los terminales y la caja de control DIN 43880 ó sus equivalentes
Grado de contaminación	2
Conexión a tierra	Non
Aislamiento eléctrico	Aislamiento reforzado primario /secundario
Entorno operacional	Libre de gases corrosivos. Mínima cantidad de polvo.
Protección	IP 20
Temperatura para la prueba de presión de bola	75°C (167°F)
Altitud de trabajo	<2000 m ^{*1}
Lugar de instalación	Dentro del panel de control ^{*2}
Categoría de sobretensión	II

ESP

Tabla 2.7: Especificaciones de entorno y eléctricas

Descripción		Especificación
Directriz CE	EMC	EN61131-2: 2007
	LVD	EN61131-2: 2007 ^{*3} EN IEC 61010-2-201 ^{*3*4}
Certificación de UL/cUL		Número de archivo: E95239 ^{*5}
Indicador de funcionamiento		Visualiza 4 líneas de diez caracteres cada una, modo Ejecución programa On/Off, protección de contraseña, tabla de imágenes y bloques de función durante la programación.

*1 El controlador de la serie $\alpha 2$ no puede ser utilizado con una presión mayor que la presión atmosférica para evitar daños.

*2 El controlador de la serie $\alpha 2$ esta pensado para ser instalado en un ambiente equivalente a interiores.

*3 Los controladores de la serie $\alpha 2$ fabricados antes del 28 de Febrero del 2018 se ajustan a la norma EN61131-2:2007, después del 1 Marzo del 2018 se ajustaran a la norma EN IEC 61010-2-201.

*4 Varios modelos fabricados despues del 1 de Enero del 2018 cumplen con la norma EN IEC 61010-2-201.

*5 AL2-ASI-BD no cumple con estas normas.

Precaución con la conformidad de la directiva LVD (EN IEC 61010-2-201)

- Porfavor, usar el controlador de la serie $\alpha 2$ mientras bajo un ambiente industrial.
- Los controladores de la serie $\alpha 2$ son un tipo de dispositivos abiertos que deben ser instalados y utilizados dentro de paneles de control conductores. Asegurese que la tapa del panel esta puesta en el panel de control (para la conducción). Instalaciones dentro de un panel de control afecta en gran medida la seguridad del sistema y ayuda a proteger el ruido del Controlador de la Serie $\alpha 2$.
- Para el panel de control, usar el producto teniendo suficiente resistencia, protección contra el fuego, y la propiedad de protección para un ambiente de instalación.
- Para un puerto de conexión externa diferente a la fuente de alimentación de potencia AC y los terminales de ingreso/salida, conectar el circuito separandolo de la tensión peligrosa mediante un doble/refuerzo de aislamiento.
- Cuando se realice el cableado, inserte el cable por completo en el bloque de terminales.
- El dispositivo de corte, como puede ser el caso de un interruptor o un protector de circuito debe instalarse de acuerdo con las siguientes precauciones:
 - Usar las normas EN60947-1 o EN60947-3.
 - Colocar el dispositivo de corte para que pueda ser utilizado fácilmente.
 - Especifique que el dispositivo de corte es para este equipo.

3. Instalación

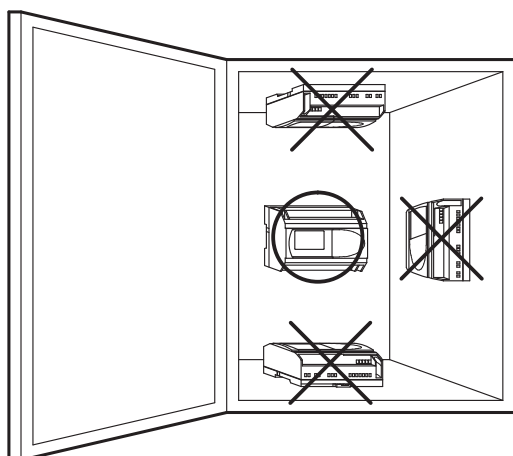
3.1 Observaciones sobre el emplazamiento



El diseño seguro de la serie $\alpha 2$ significa que el usuario puede instalar el equipo casi en cualquier parte, pero es necesario que tome los siguientes puntos en consideración.

- No lo instale en zonas con polvo excesivo o conductor, corrosivos o gas inflamable, humedad o lluvia, calor excesivo, impactos usuales o vibración excesiva. No lo coloque en agua ni deje que ésta penetre en el controlador.
- No deje que caigan restos dentro de la unidad al hacer la instalación.
- Mantenerse lo más lejos posible de los cables de alto voltaje y del equipo de poder.
- El $\alpha 2$ debe instalarse en gabinetes que estén diseñados para el conjunto de dispositivos, que cumplen con DIN 43880, o en una caja de control.
- Si existe la posibilidad de tocar el cuadro eléctrico durante el mantenimiento, asegurarse de descargarlo previamente para evitar la influencia de la electricidad estática.

Figura 3.1: Disposición de montaje



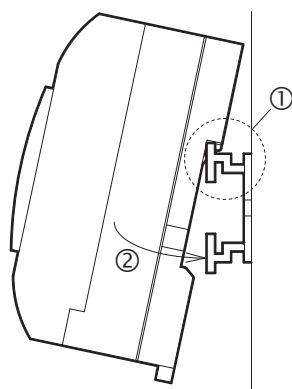
- Usar tornillos de medida M4 cuando se monte, usando los agujeros para tornillos.
- Los conectores deben estar recubiertos para prevenir algún daño por contacto con los alambres "energizados".
- Dejar un mínimo de 10 mm de espacio para ventilación entre los bordes superior e inferior del $\alpha 2$ y las paredes circundantes.
- No desmonte el controlador $\alpha 2$.

**Nota**

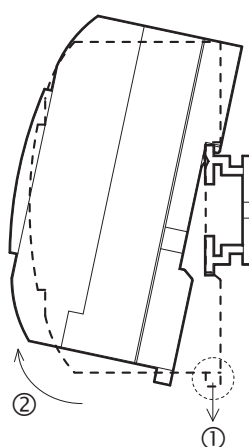
- Refiérase al capítulo 6 al instalar o retirar el AL2-EEPROM-2.
- Refiérase al capítulo 7 al instalar o retirar el AL-232CAB.
- Refiérase al capítulo 8 al instalar o retirar el AL2-GSM-CAB.
- Refiérase al capítulo 9 al instalar o retirar el AL2-ASI-BD.
- Refiérase al capítulo 11 al instalar o retirar el AL2-2DA.
- Refiérase al capítulo 12 al instalar o retirar el AL2-2PT-ADP.
- Refiérase al capítulo 13 al instalar o retirar el AL2-2TC-ADP.

3.2 CARRIL DIN Montaje de la unidad principal

Las unidades se pueden montar mediante un “enclavamiento” sobre un carril de montaje DIN 35 mm (DIN EN 50022). Para el desmontaje de la unidad, levantar la fijación rápida con un destornillador y retirar la unidad del carril.

3.2.1 Instalación**Figura 3.2: Instalación**

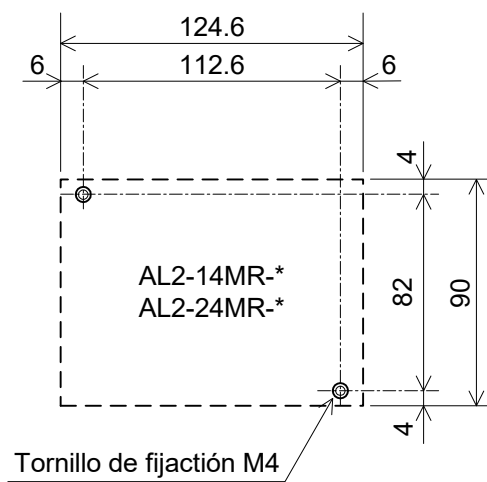
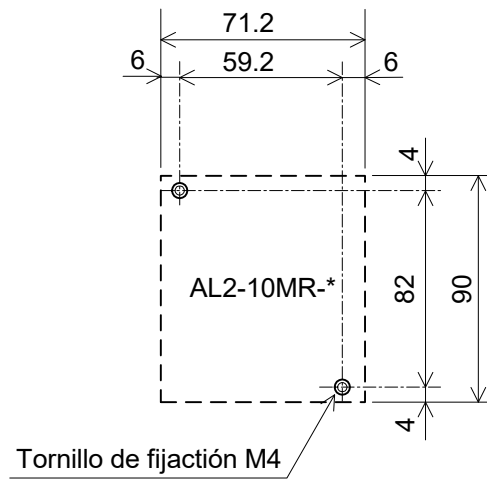
Alinee la parte superior de la ranura para el montaje del carril DIN de $\alpha 2$ con el carril DIN (①) y presiónela contra el carril (②).

3.2.2 Desmontaje**Figura 3.3: Desmontaje**

Tire del gancho del carril DIN (①) y desmonte la unidad principal de la serie $\alpha 2$ (②)

3.3 Montaje directo de la unidad principal

Figura 3.4: Montaje directo



ESP

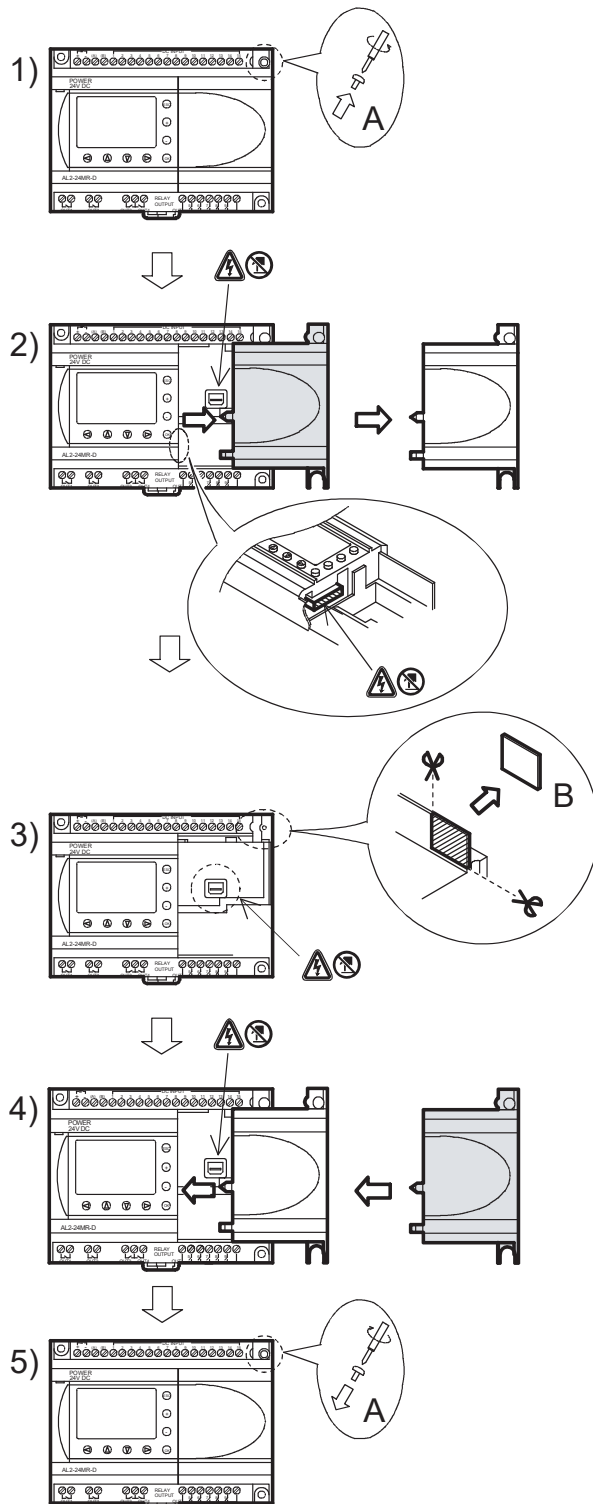
3.4 Instalación del módulo de extensión(AL2-14MR-*,AL2-24MR-*)



Atención

Desconectar todos los terminales de la fuente de alimentación de energía antes de retirar la cubierta.

Figure 3.5: Instalación



- 1) Retire el tornillo 'A' y guárdelo.
- 2) Retire con cuidado la cubierta de puertos de expansión montada de fábrica.
- 3) Separe la sección 'B' de la unidad de base del controlador de serie $\alpha 2$.
- 4) Vuelva a colocar el módulo de expansión en la unidad principal.
- 5) Vuelva a colocar el tornillo 'A' y apriételo con un torque de 0,4 N·m.

: Peligro de descarga eléctrica.

: No tocar las partes conductoras directamente.

4. Alambrado



Observación

- El cableado del AL2-ASI-BD se describe en el capítulo 9.
- El cableado del AL2-2DA se describe en el capítulo 11.
- El cableado del AL2-2PT-ADP se describe en el capítulo 12.
- El cableado del AL2-2TC-ADP se describe en el capítulo 13.

4.1 Notas sobre los alambres de instalación



El cableado del sistema $\alpha 2$ se ha diseñado de modo seguro y fácil. Un técnico o ingeniero experimentados en los estándares eléctricos nacionales y locales debe realizar todas las tareas asociadas con el cableado eléctrico del $\alpha 2$. Desconecte el suministro de electricidad antes de ejecutar cualquier operación de alambrado.

- Los cables de entrada y salida no deben ser pasados a través del mismo cable multiteje o compartir el mismo alambre.
- No dejar cables de entrada/salida cerca de los cables de poder de alto voltaje.
- La longitud del cable de entrada y salida debe ser menor a 30 m.

Haga que las líneas usadas tengan una distancia extensa para la caída de voltaje y la interferencia de ruido con la entrada/salida. Utilice alambre de tamaño apropiado para la carga eléctrica.



El terminal aceptará a un atornillador de cabeza plana de 3 mm.

4.2 Tamaño de cable

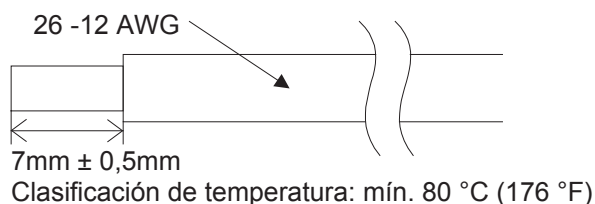
Conecte los cables de entradas y salidas utilizando el siguiente cable. Retire el revestimiento del cable al siguiente largo (véase la tabla 4.1 y la Figura 4.1). Por favor desenrosque el terminal hasta su posición más abierta antes de insertar un alambre. Introduzca el alambre por completo en el terminal para asegurar una conexión adecuada. Introduzca el alambre en el terminal y apriételo lo suficiente para evitar que se suelte por tracción. Los terminales aceptarán un destornillador de 3 mm de cabeza plana.

Tabla 4.1: Dimensiones de conductores

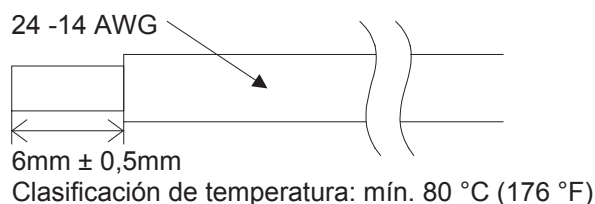
	Dimensión del conductor	Longitud del conductor
Unidad principal	26 - 12 AWG (0,13 - 3,31mm ²)	7mm \pm 0,5mm
Módulo de extensión	24 - 14AWG (0,2 - 2,5mm ²)	6mm \pm 0,5mm

Figure 4.1: Dimensiones de conductores

Unidad principal



Módulo de extensión



Nota:

- Para evitar daños del cable, debe aplicarse un torque de 0,5~0,6 N·m.
- No use estaño, soldadura o cualquier otra sustancia sobre el cable pelado que podría causar la rotura del filamento del alambre.
 - Cable retorcido:
Remover el revestimiento, retorcer las almas y conectar luego el cable (o utilizar un terminal de presión).
 - Cable único:
Remover el revestimiento y conectar luego el cable.

4.3 Alimentación de tensión



- Al conectar una tensión alterna (CA), el conductor L se tiene que conectar al borne L y el conductor N al borne N. NO conecte el alambre "vivo" al terminal "N" , pues el usuario podría sufrir una peligrosa descarga eléctrica en el momento de la conexión.
- En la conexión de una tensión continua (CC), el conductor positivo se tiene que conectar en el borne (+) y el conductor negativo en el borne (-). La conexión de la unidad de alimentación de tensión no se debe efectuar en ningún caso con ningún otro borne de la unidad.
Las unidades de alimentación de CC deben ser capaces de suministrar 4 amperios al controlador.

Figura 4.2: Cableando la alimentación

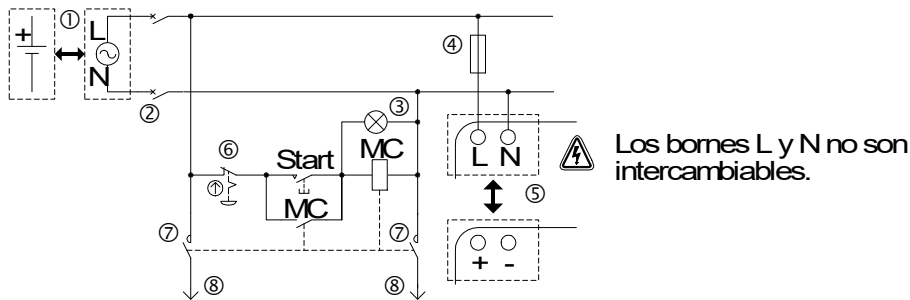


Tabla 4.2: Cableado de alimentación de corriente recomendado

No.	Descripción
1	Alimentación AL2-***-A: 100-240V CA~, 50/60Hz AL2-***-D: 24V CC
2	Dispositivo de aislamiento de circuito
3	Indicador para conexión de tensión
4	Dispositivo de protección con límite de 1,0A
5	Sistema $\alpha 2$
6	Interruptor de parada de emergencia
7	Conmutador magnético
8	Alimentación de tensión para carga

ESP

4.4 Cableado de la alimentación CA y la entrada

4.4.1 Cableado de la alimentación CA y la entrada

Figura 4.3: Esquema de cableado de la alimentación CA y de la entrada

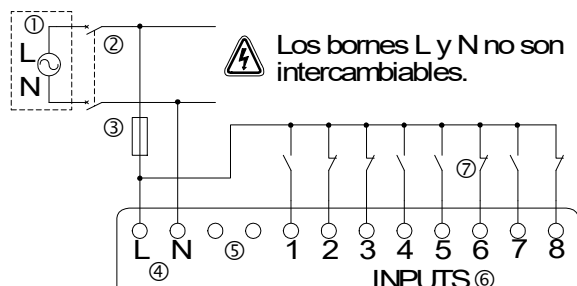


Tabla 4.3: Cableado de la alimentación CA y la entrada

No.	Descripción
1	Alimentación CA:100 - 240V CA~ 50/60 Hz
2	Dispositivo de aislamiento de circuito
3	Dispositivo de protección con límite de 1,0A
4	Bornes de tensión CA
5	Terminales sin uso
6	Bornes de entrada
7	Interruptores de entrada digitales

4.4.2 Cableado de la entrada AL2-4EX-A2

Figura 4.4: Esquema de cableado de la entrada AL2-4EX-A2

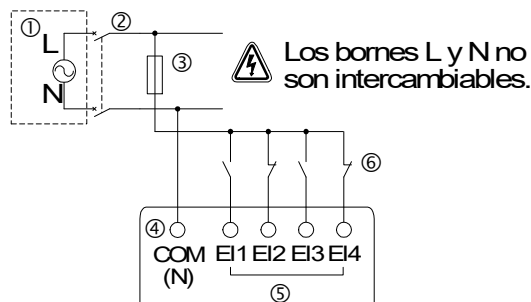


Tabla 4.4: Cableado de la alimentación y la entrada

No.	Descripción
1	Alimentación CA: 220 - 240V CA~ 50/60 Hz
2	Dispositivo de aislamiento de circuito
3	Dispositivo de protección con límite de 1,0A
4	Terminales COM (N)
5	Bornes de entrada
6	Interruptores de entrada digitales

4.5 Cableado de la alimentación CC y la entrada

4.5.1 Esquema de cableado de la alimentación CC y fuente de poder (terminal "+")

Figura 4.5: Esquema de conexión de la alimentación CC y entrada de la fuente de poder (terminal "+")

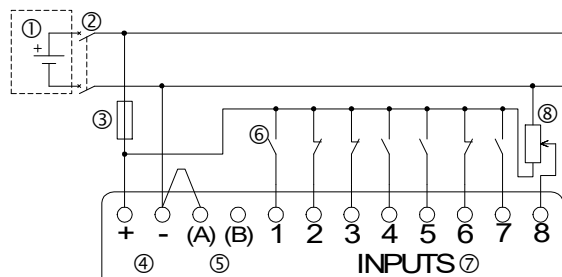


Tabla 4.5: Cableado de la entrada de la alimentación CC y fuente de poder (terminal "+")

No.	Descripción
1	Alimentación CC: 24V CC
2	Dispositivo de aislamiento de circuito
3	Dispositivo de protección con límite de 1,0A
4	Bornes de tensión CC
5	Bornes de entradas Sink/Source
6	Conmutadores de entrada del sensor
7	Bornes de entrada
8	Entrada analógica

4.5.2 Esquema de conexión de entrada de la fuente de poder AL2-4EX (terminal "+")

Figura 4.6: Esquema de conexión de entrada de la fuente de poder AL2-4EX (terminal "+")

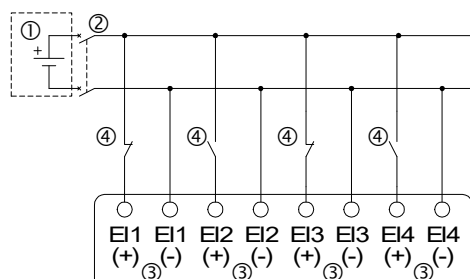


Tabla 4.6: Cableado de la entrada de la alimentación CC y fuente de poder (terminal "+")

No.	Descripción
1	Alimentación CC: 24V CC
2	Dispositivo de aislamiento de circuito
3	Bornes de entrada ver la nota
4	Conmutadores de entrada del sensor

Nota



Cada terminal de entrada (E11 - E14) puede usarse como una entrada de fuente o entrada de reducción.

ESP

4.5.3 Esquema de conexión de entrada de alimentación CC y drenaje (terminal "-")

Figura 4.7: Esquema de conexión de entrada de alimentación CC y drenaje (terminal "-")

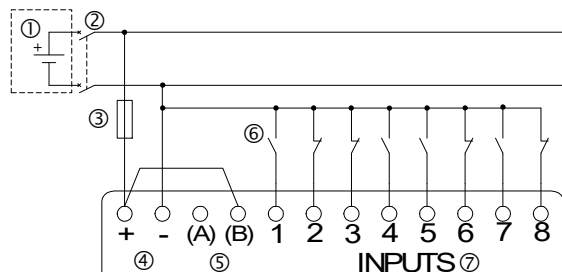


Tabla 4.7: Cableado de la entrada de alimentación CC y drenaje (terminal "-")

No.	Descripción
1	Alimentación CC: 24V CC
2	Dispositivo de aislamiento de circuito
3	Dispositivo de protección con límite de 1,0A
4	Bornes de tensión CC
5	Bornes de entradas Sink/Source
6	Conmutadores de entrada del sensor
7	Bornes de entrada

4.5.4 Esquema de conexión de entrada de drenaje AL2-4EX (terminal "-")

Figura 4.8: Esquema de conexión de entrada de drenaje AL2-4EX (terminal "-")

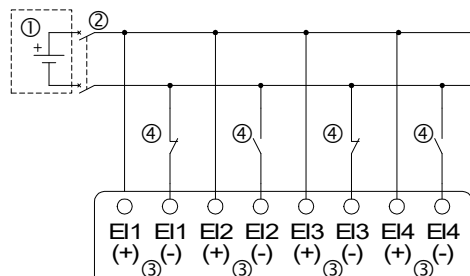


Tabla 4.8: Cableado de la entrada de alimentación CC y drenaje (terminal "-")

No.	Descripción
1	Alimentación CC: 24V CC
2	Dispositivo de aislamiento de circuito
3	Bornes de entrada ver la nota
4	Conmutadores de entrada del sensor



Nota

Cada terminal de entrada (EI1 - EI4) puede usarse como una entrada de fuente o entrada de reducción.

4.6 Cableando las salidas de relé y de transistor

4.6.1 Esquema de conexión de salida de relé de la unidad principal (CA y/o CC)

Figura 4.9: Esquema de conexión de salida de relé de la unidad principal (CA y/o CC)

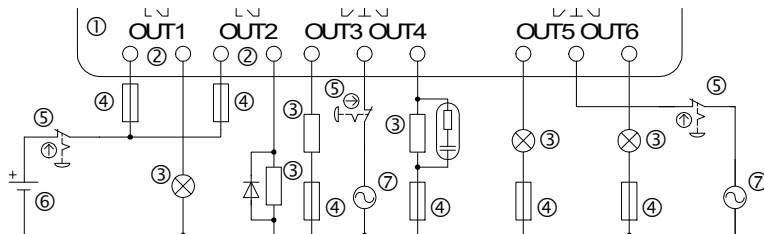


Tabla 4.9: Cableado de la salida de relé de la unidad principal (CA y/o CC)

No.	Descripción
1	Sistema $\alpha 2$
2	Salidas mutuamente exclusivas
3	Dispositivos de salida
4	Fusible (véase Tabla 4.10)
5	Interruptor de parada de emergencia
6	Tensión CC
7	Tensión CA

Tabla 4.10: Tablero de protección del circuito de salida de relés

Modelo	Número de salida	Carga resistiva máxima	Tablero de protección del circuito (fusible)
AL2-10MR-*	O01-O04	8A / Común	$\leq 10A$
AL2-14MR-*	O01-O06		$\leq 10A$
AL2-24MR-*	O01-O04		$\leq 10A$
	O05-O09	2A / punto (4A / común)	$\leq 3A$

ESP

4.6.2 Esquema de conexión de salida de relé AL2-4EYR (CA y/o CC)

Figura 4.10: Esquema de conexión de salida de relé AL2-4EYR (CA y/o CC)

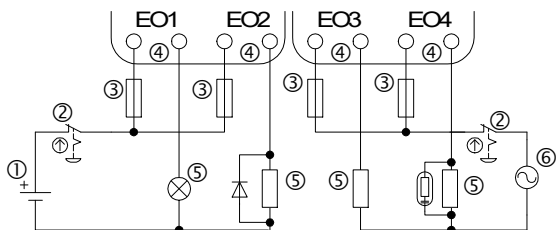


Tabla 4.11: Cableado de la salida de relé AL2-4EYR (CA y/o CC)

No.	Descripción
1	Tensión CC
2	Interruptor de parada de emergencia
3	Fusible ($\leq 3A$)
4	Salidas mutuamente exclusivas
5	Dispositivos de salida
6	Tensión CA

Tabla 4.12: Tablero de protección del circuito de salida de relés

Modelo	Número de salida	Carga resistiva máxima	Tablero de protección del circuito (fusible)
AL2-4EYR	EO1-EO4	2A / punto	$\leq 3A$ / Circuito

4.6.3 Salida de transistor (Fuente de poder o sólo terminal "+") AL2-4EYT

Figura 4.11: Esquema de conexión de salida de transistor (fuente de poder / sólo terminal "+") AL2-4EYT

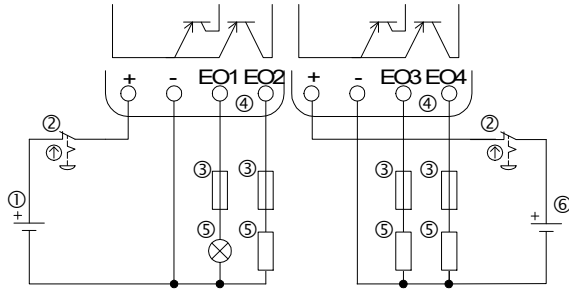


Tabla 4.13: Cableado de la salida de transistor

No.	Descripción
1	Alimentación CC para salidas, 24V CC
2	Interruptor de parada de emergencia
3	Dispositivo de protección ver la Tabla 4.14
4	Bornes de entrada
5	Dispositivos de salida
6	Alimentación CC para salidas, 12V CC

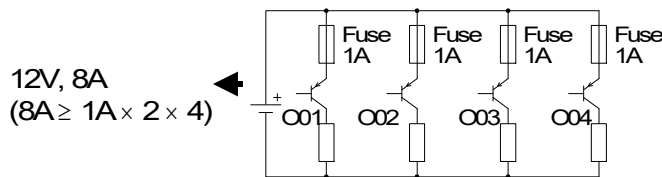
Tabla 4.14: Voltaje de la protección del circuito

Circuito	Voltaje de la protección del circuito (fusible)
5V CC	≤ 0.3A / Circuito
12V CC	≤ 2.0A / Circuito *1
24V CC	≤ 2.0A / Circuito *1

*1 Capacidad de fuente de alimentación ≥ Tamaño de fusible × 2



Figura 4.12: Ejemplo de cálculo del tamaño de fusible



Nota;

Tabla 4.15: Bornas de salidas

Volt	Bornes de salidas
5	Cada circuito puede contener desde un terminal de salida hasta cualquier número de terminales de salida.
12-24	Cada circuito puede contener desde un terminal de salida hasta cualquier número de terminales de salida.
5,12,24	Cualquier combinación de salidas de 5 , 12 o 24 voltios es posible en un mismo controlador de la serie α2 si se trabaja con circuitos separados para cada nivel de voltaje..

5. Ocupaciones de bornes



Observación

- El esquema de conexión de los terminales del AL2-ASI-BD se describe en el capítulo 9.
- El esquema de conexión de los terminales del AL2-2DA se describe en el capítulo 11.
- El esquema de conexión de los terminales del AL2-2PT-ADP se describe en el capítulo 12.
- El esquema de conexión de los terminales del AL2-2TC-ADP se describe en el capítulo 13.

Figure 5.1: AL2-10MR-A, Entrada CA, salida del relé

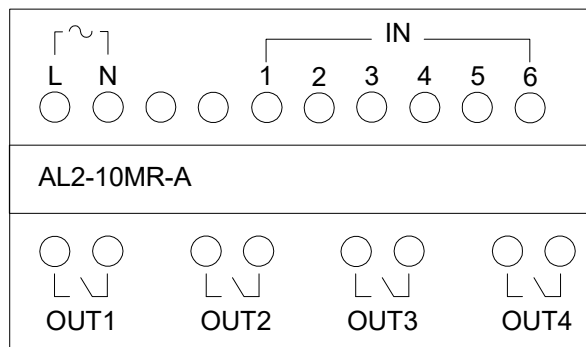


Figure 5.2: AL2-10MR-D, Entrada CC, salida del relé

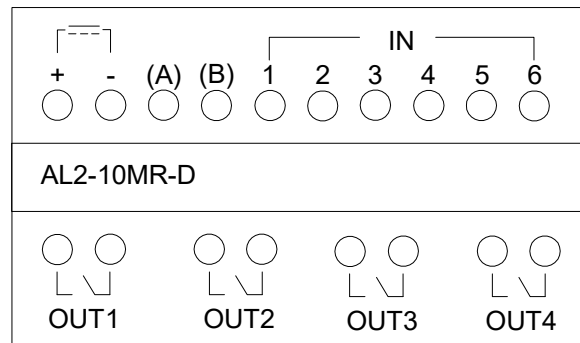


Figure 5.3: AL2-14MR-A, Entrada CA, salida del relé

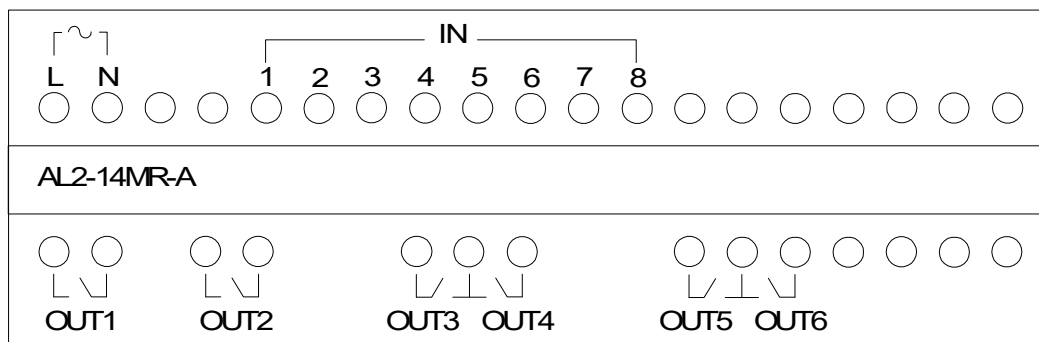


Figure 5.4: AL2-14MR-D, Entrada CC, salida del relé

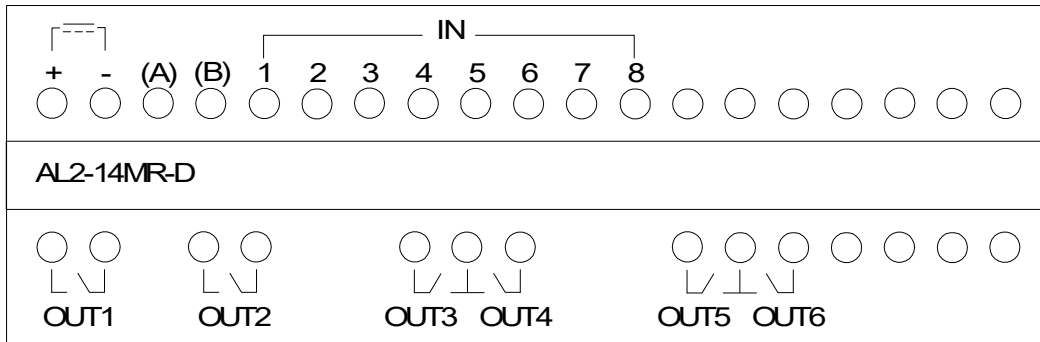


Figure 5.5: AL2-24MR-A, Entrada CA, salida del relé

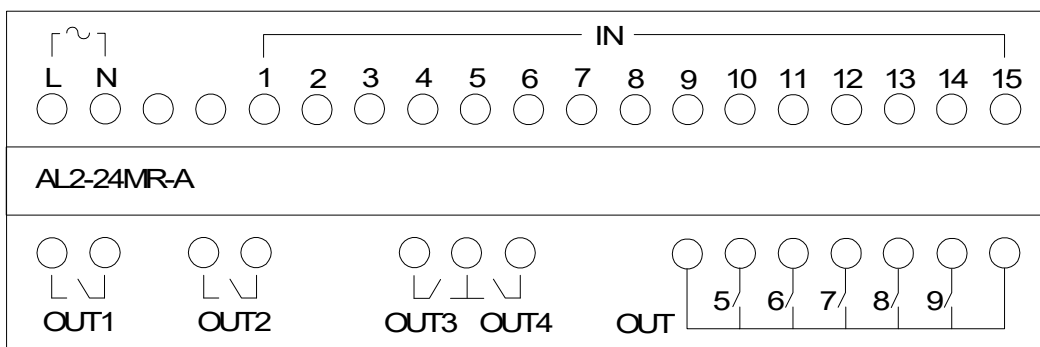


Figure 5.6: AL2-24MR-D, Entrada CC, salida del relé

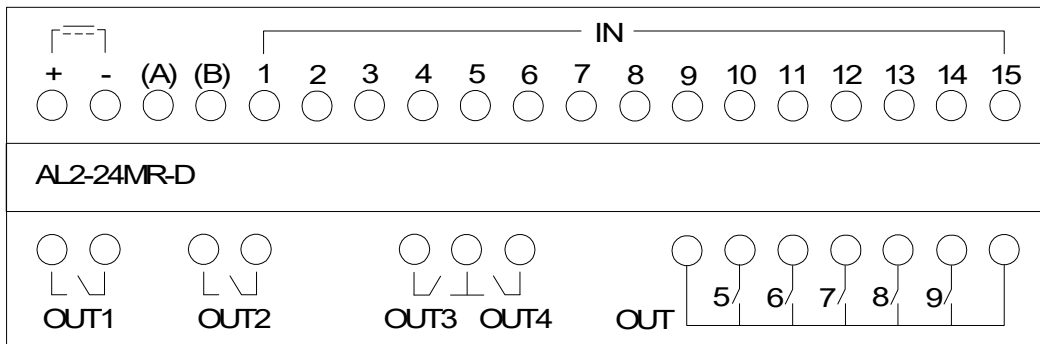
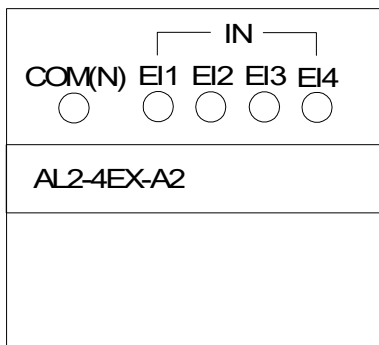


Figure 5.7: AL2-4EX-A2, 220-240V Entrada CA



ESP

Figure 5.8: AL2-4EX, Entrada CC

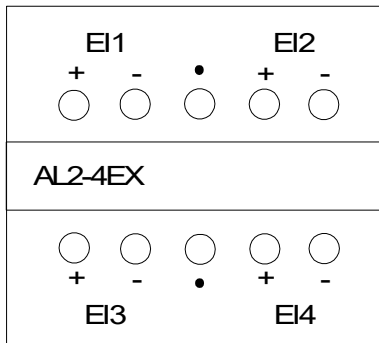


Figure 5.9: AL2-4EYR, salida del relé

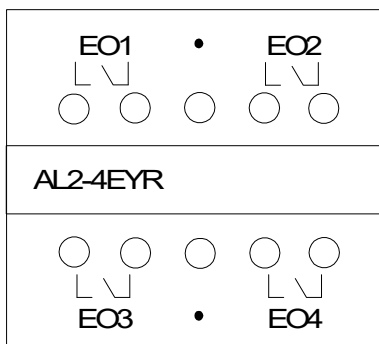
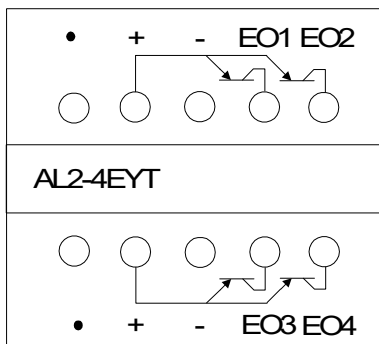


Figure 5.10: AL2-4EYT, salida del transistor



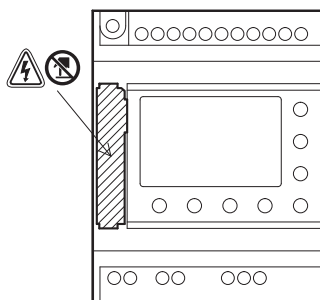
6. AL2-EEPROM-2

La CASETE MEMORIA AL2-EEPROM-2 está diseñada para usar sólo con el controlador de la serie $\alpha 2$ (Modelo: AL2-**M*-*).




Advertencia

- Las únicas personas autorizadas a recambiar la casete memoria son las que dominan las normas locales y nacionales de electrotecnia.
- Desconecte la alimentación eléctrica antes de instalar o retirar la casete memoria.
- Reemplace la cubierta después de retirar la casete memoria.
- Durante la instalación de la cubierta o de la casete de memoria de la serie $\alpha 2$, poner atención de no apretarse los dedos.
- No toque la parte indicada a continuación al retirar la cubierta o la casete de memoria. .

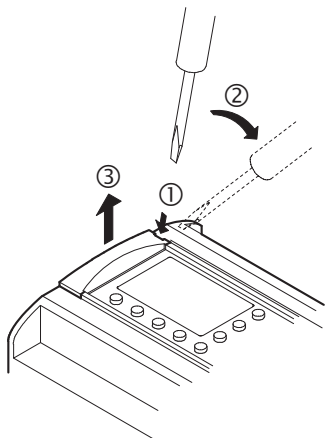


 : Peligro de descarga electrica.

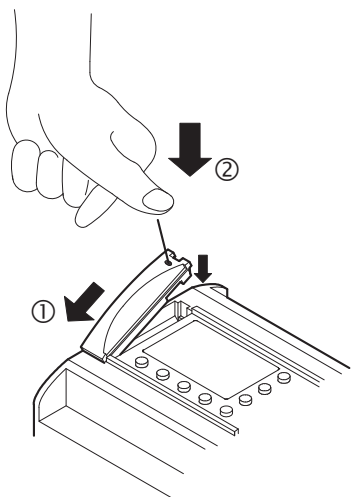
 : No tocar las partes conductoras directamente.

6.1 Installation

1) Manera de retirar la cubierta o la caseta memoria



2) Manera de montar la cubierta o la casete memoria



7. AL-232CAB

7.1 Introducción

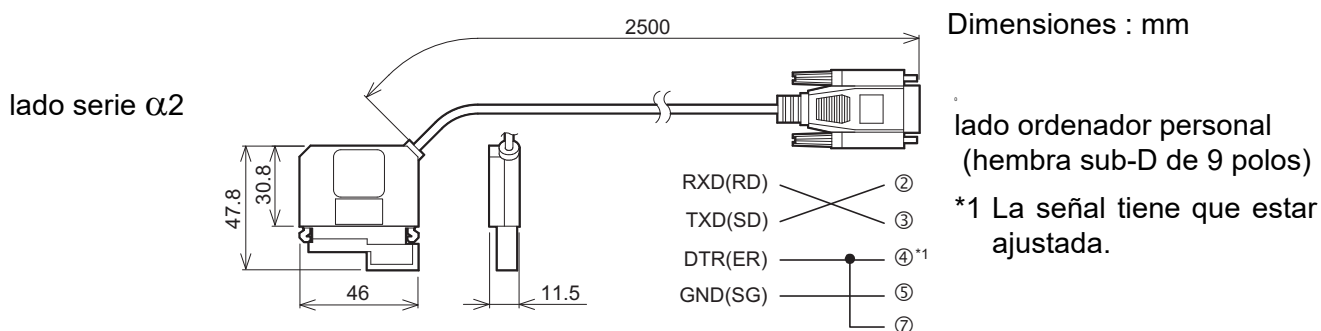
El AL-232CAB es un cable RS-232C conectado entre un controlador de la serie α (α , $\alpha 2$) y un computador personal en el cual se encuentra el software de programación.



Nota

- El cable AL-232CAB no se puede utilizar para otras aplicaciones.
- El cable AL-232CAB asoma unos 40 mm por encima del panel superior cuando se conecta con un controlador de la serie $\alpha 2$.

7.1.1 Dimensiones externas



7.2 Conectado con un cable AL-232CAB



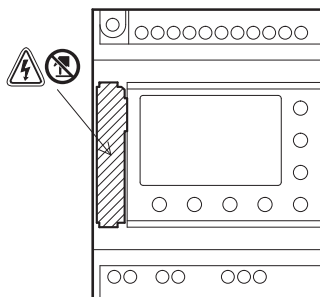
Retire la cubierta y la casete memoria

- Evite lastimarse la mano al retirar la cubierta con una herramienta.




Advertencia

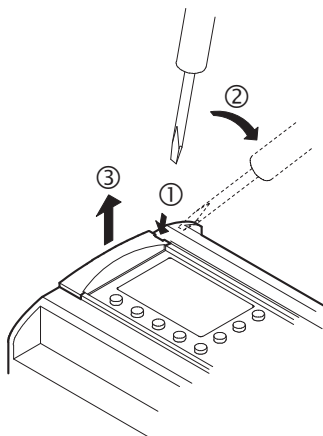
- Desconecte la alimentación eléctrica al instalar o separar el cable AL-232CAB.
- Instale la cubierta de la casete memoria después de retirar el cable AL-232CAB.
- Durante la instalación de la cubierta o de la casete de memoria de la serie $\alpha 2$, poner atención de no apretarse los dedos.
- No deje de sujetar la boquilla protectora del conector al separar el cable. No tire del cordón.
- NO toque la parte indicada a continuación al retirar la cubierta, la casete de memoria o su cable..



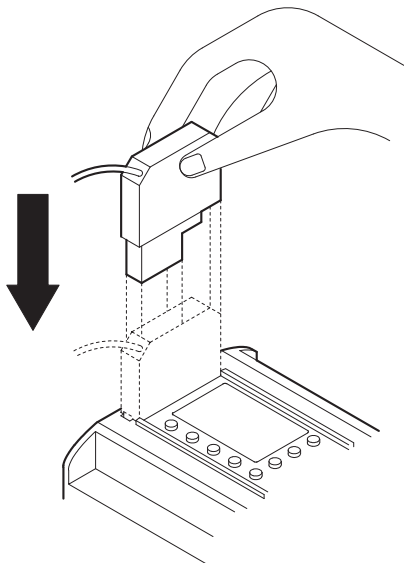
: Peligro de descarga eléctrica.

: No tocar las partes conductoras directamente.

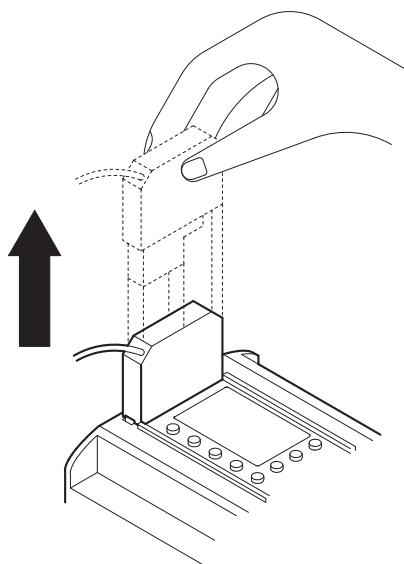
1) Manera de retirar la cubierta o la casete memoria



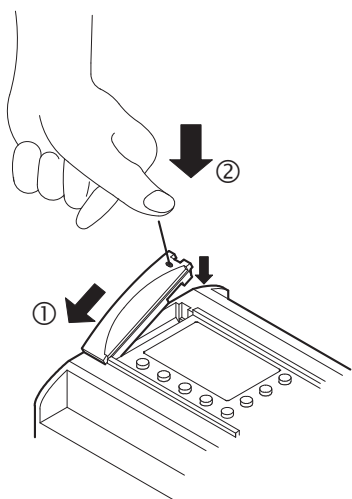
2) Manera de conectar el cable AL-232CAB



3) Manera de retirar el cable AL-232CAB



4) Manera de montar la cubierta o la casete memoria



ESP

MEMO

8. AL2-GSM-CAB

8.1 Introducción

El AL2-GSM-CAB puede usarse para conectar los controladores de la serie $\alpha 2$ a un módem normal o GSM. El AL2-GSM-CAB puede transferir los datos del servicio de mensajes breves (SMS) al módem GSM para su transmisión a los teléfonos móviles o direcciones de correo o facilitar las funciones de monitoreo a distancia y transferencias de programa vía módems normales. Al usar un cable adaptador puede llevarse a cabo también la comunicación RS-232C a un computador personal.

En el Manual de programación $\alpha 2$ y en el Manual de software a pueden encontrarse informaciones adicionales.



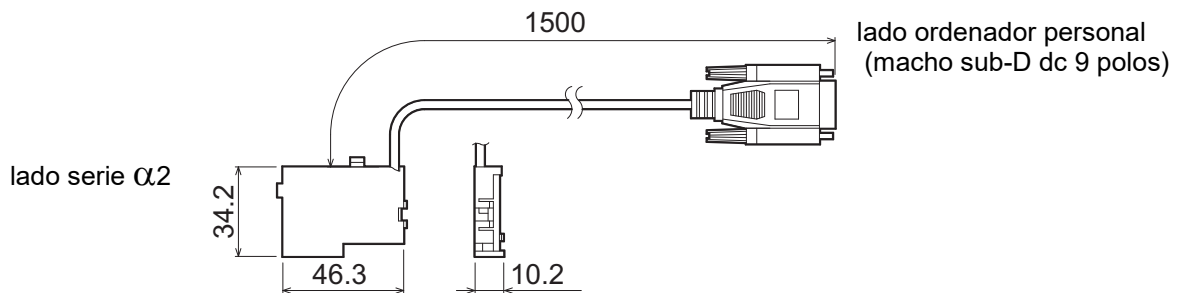
Nota:

- Este cable no puede usarse para ninguna otra aplicación.
- Este cable no corresponde a los controladores de la serie $\alpha 2$ (Model: AL2-14MR-*, AL2-24MR-*).
- La comunicación simultánea entre ambos puertos de controladores de la serie $\alpha 2$ puede causar daños en el programa o un malfuncionamiento del controlador.

8.1.1 Dimensiones externas

Figure 8.1: Dimensiones externas

Dimensiones : mm



ESP

8.1.2 Configuración del sistema usando AL2-GSM-CAB

Figura 8.2: Configuración del sistema con AL2-GSM-CAB

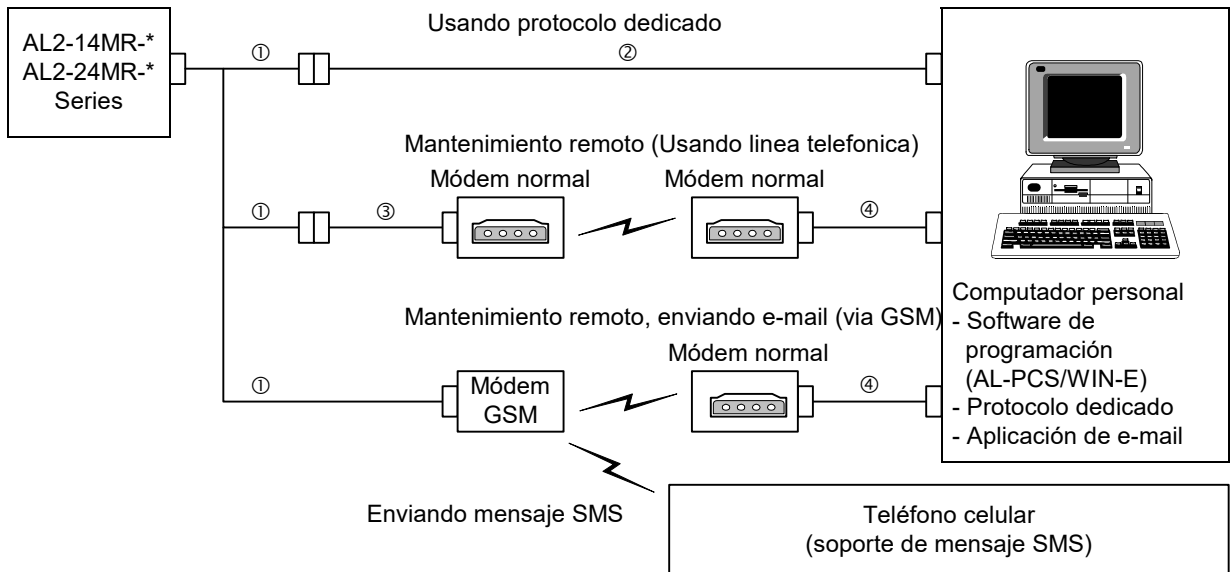
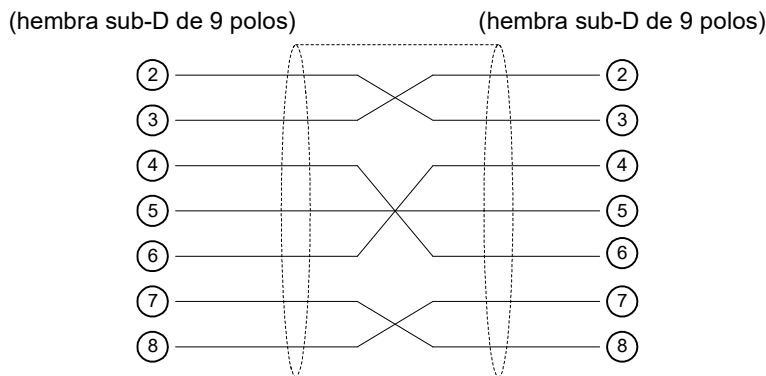


Tabla 8.1: Configuración del sistema con AL2-GSM-CAB

Item	Usando cable
1	AL2-GSM-CAB
2	Cable transversal RS-232C (véase Figura 8.3))
3	Cable directo RS-232C para el módem (véase Figura 8.5)
4	Cable directo RS-232C para el módem (especificado por el fabricante del módem)

Figura 8.3: Referencia del cable transversal RS-232C



Nota:



Las señales 4 y 7 deben ajustarse en el nivel alto en el lado del computador personal. Si estas señales no son ajustadas, no habrá comunicación a las series $\alpha 2$.

8.2 Instalación

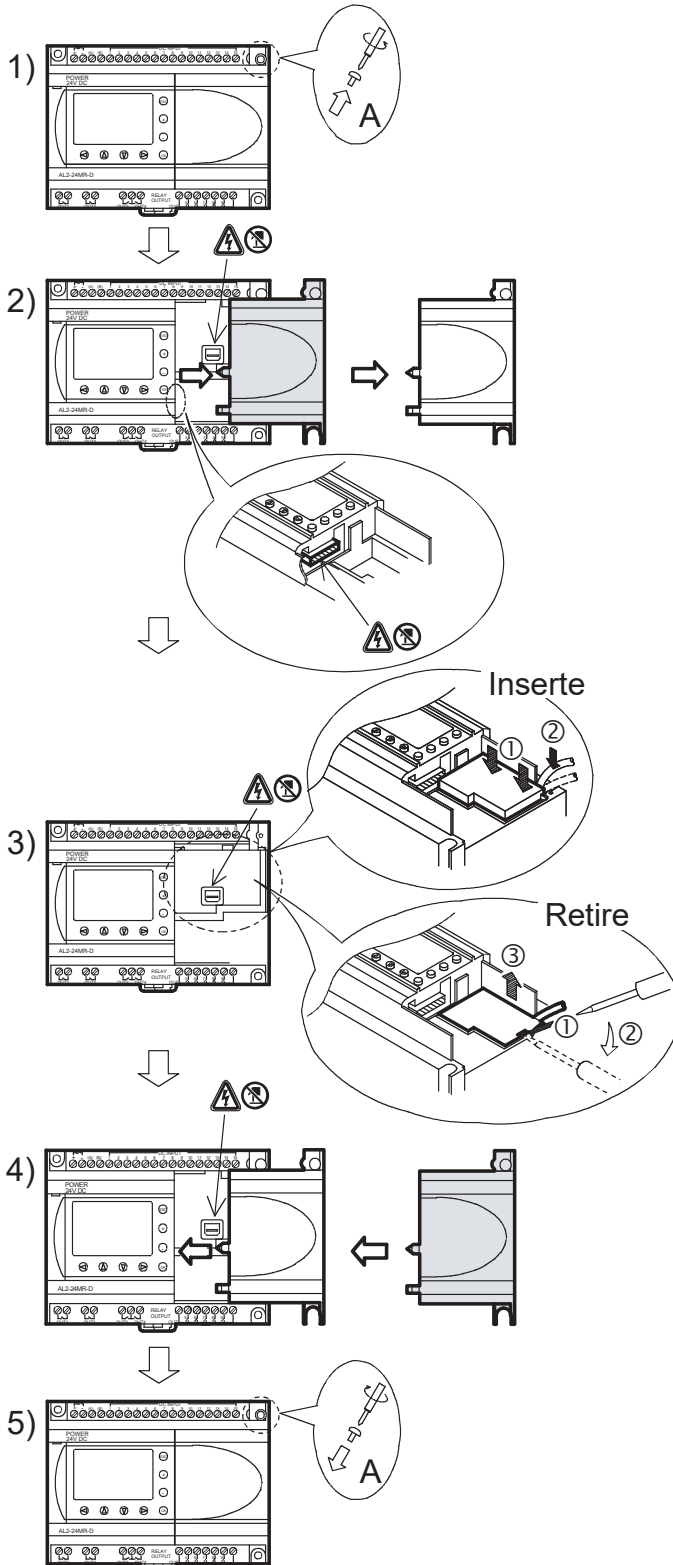
Refiérase a la Figura 8.4 al instalar el AL2-GSM-CAB.



Precaución

- AL2-GSM-CAB debe instalarse y desinstalarse por personas instruidas en las normas eléctricas locales y nacionales.
- Desconecte el suministro de energía antes de instalar o desinstalar el AL2-GSM-CAB.
- Coloque la cubierta trasera después de cada instalación o retiro del AL2-GSM-CAB.
- En ninguna circunstancia Mitsubishi Electric estará sujeto o responsable de cualquier daño que pueda surgir como resultado de la instalación o el uso de este accesorio.
- No tirar del condón.
Si se tira del cordón, el cable puede dañarse.
- Para la comunicación a las series $\alpha 2$ mediante módem GSM, la alimentación de energía para ambas unidades debe estar conectada al mismo tiempo. Si estas unidades no están iniciadas simultáneamente, no es posible establecer una comunicación a las series $\alpha 2$ mediante el módem GSM.
- Desconectar todos los terminales de la fuente de alimentación de energía antes de retirar la cubierta.

Figura 8.4: Installation



- 1) Retire el tornillo 'A' y guárdelo para el uso futuro.
- 2) Retire cuidadosamente la cubierta del puerto de expansión $\alpha 2$ instalado en fábrica o la cubierta del módulo especial.
- 3) Inserte el AL2-GSM-CAB en la cavidad colocando el cable cuidadosamente en el canal ubicado por el lado del terminal de entrada.
- 4) Vuelva a colocar la cubierta $\alpha 2$ ó la del módulo especial cuidando que no se produzca una interferencia con el AL2-GSM-CAB.
- 5) Vuelva a colocar el tornillo 'A' y apriételo con un torque de 0,4 N·m.

: Peligro de descarga electrica.

: No tocar las partes conductoras directamente.

8.3 Mantenimiento a distancia mediante un módem

En el Manual de programación $\alpha 2$ pueden encontrarse informaciones adicionales sobre los procedimientos de configuración del módem. El software de programación (AL-PCS/WIN-E) proporciona el método más fácil para configurar el módem.

8.3.1 Módems recomendados

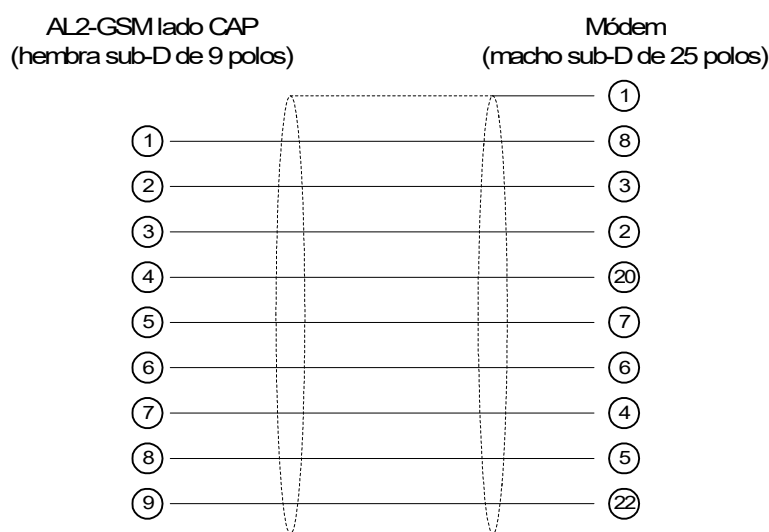
Los siguientes módems fueron probados exitosamente..

Tabla 8.2: Módems probados

Nombre fabricante	Nombre modelo	Comando de módem (comando AT))
3com	SP560V-P	ATE0Q1&B1&D0H0&I0&R1&S0S0=2S15=8&W
OMRON	ME3314	ATE0S0=2Q1&D0S15=8&R1&H0&W
AIWA	PV-AF3360	ATE0S0=2Q1&D0&M5\Q0\J0&W
Siemens	M20T	ATE0S0=2&S0;+IFC=0,0;+CMEE=1;+IPR=9600&W

8.3.2 Cable directo RS-232C entre el módem y AL2-GSM-CAB

Figura 8.5: Referencia de cable directo RS-232C entre el módem y AL2-GSM-CAB



8.3.3 Programación del módem

- 1) Programación desde el computador personal
Instale el archivo para la programación del accesorio en el módem.
- 2) Programación del módem para la serie $\alpha 2$
Se programa el módem desde el sistema $\alpha 2$ mediante el comando ModemInit de la unidad principal.

a) Acerca del comando de módem (comando AT)

Use el comando AT para inicializar el módem. Confirme los detalles del comando AT indicados en el manual del módem que utiliza. Los comandos AT fueron preparados para seleccionar los módems indicados en las tablas 8.4 (Módem normal) y 8.5 (módem GSM) siguientes..

Tabla 8.3: Módems probados

Nombre del fabricante	Nombre del modelo	Comando de módem (comando AT)
3com	SP560V-P	ATE0Q1&B1&D0H0&I0&R1&S0S0=2S15=8&W
OMRON	ME3314	ATE0S0=2Q1&D0S15=8&R1&H0&W
AIWA	PV-AF3360	ATE0S0=2Q1&D0&M5\Q0\J0&W
Siemens	M20T	ATE0S0=2&S0;+IFC=0,0;+CMEE=1;+IPR=9600&W

n el Manual de programación $\alpha 2$ pueden encontrarse informaciones adicionales sobre el método para inicializar un módem.

Al usar módems que no están mencionados en la tabla anterior, programe el comando AT de modo que cumple los siguientes requisitos..

Tabla 8.4: Comando AT para módem (Módem normal)

Item de programación	Contenido de programación	Ejemplo de programación		
		SP560V-P	ME3314	PV-AF3360
Programación de eco de comando	Ninguno	E0	E0	E0
Frecuencia de llamada de respuesta automática	Doble	S0=2	S0=2	S0=2
Código de resultado visualizado	Ninguno	Q1	Q1	Q1
Control DTR	Siempre conectado	&D0	&D0	&D0
Control DTR	Siempre conectado	&S0		
Modo de comunicación	Modo V.42bis	S15=8	S15=8	&M5
Velocidad de dimensión fija del terminal	Fijo	&B1	\J0	
Esquema de flujo de control del terminal	Ninguno	-&R1	\Q0	
Control de flujo de datos de transmisión	Ninguno	&H0	&H0	-
Control de flujo de datos recibidos (software)	Ninguno	&I0		
Control de flujo de datos recibidos (control RTS)	Ninguno	&R1		
Escritura en memoria no volátil	Escritura en memoria no volátil	&W	&W	&W

Tabla 8.5: Comando AT para módem GSM

Item de programación	Contenido de programación	Ejemplo de programación
		M20T
Habilitar eco de comando	Modo eco APAG	E0
Programar números de ring antes de la respuesta automática del llamado	Habilita la contestación automática después de dos ring	S0=2
Programar modo de funcionamiento conjunto de datos de circuito disponible (DSR)	DSR siempre CON	&S0
Programar control de flujo de datos locales TE-TA	<ul style="list-style-type: none"> • Especifica el método que usar el TE cuando recibe datos de TA:Ninguno • Especifica el método que usa el TA cuando recibe datos de TE:Ninguno 	+IFC=0,0
Informe de error de equipamiento móvil	Habilita el código de resultado y usa valor numérico	+CMEE=1
Programar velocidad local fijada	Velocidad en baudios: 9600 bps	+IPR=9600
Programar modo de funcionamiento para detección de portador de datos de circuito (DCD) *1	Línea DCD está CON sólo en presencia de portador de datos	&C1
Selecciona el perfil definido del tipo de servicio de portador *1	9600 bps (V.32), módem asincrónico, no transparente	+CBST=7,0,1
9600 bps (V.32), módem asincrónico, no transparente	El perfil de usuario se guarda en la memoria no volátil	&W

*1 En el caso de Siemens M20T, estos ajustes son innecesarios, ya que son ajustes por defecto. Si se utiliza otro módem GSM, tal vez estos ajustes sean necesarios.

b) Temporización para la inicialización del módem durante la iniciación del sistema

En el sistema $\alpha 2$ existe una función para retardar la transmisión del comando del módem (comando AT) para inicializar el módem desde la unidad principal al momento del inicio. El retardo puede ser entre 0 y 10 segundos. Este comando puede ser útil para asegurar que el comando AT se transmita correctamente cuando la inicialización del sistema $\alpha 2$ es más rápida que la del módem.

Mayores informaciones acerca de la operación del módem se encuentran en el Manual de Programación $\alpha 2$, así como en el Manual del software α .

MEMO

9. AL2-ASI-BD (AL2-14MR-*, AL2-24MR-*)

El módulo de extensión sensor-actuador AL2-ASI-BD se emplea en combinación con un controlador de serie $\alpha 2$ para la comunicación interna de datos a través del bus de comunicación ASI (Interfaz AS).

En los Manuales de programación de la serie $\alpha 2$ pueden encontrarse informaciones adicionales.



Advertencia

- Las únicas personas autorizadas a reemplazar el módulo AL2-ASI-BD son las que dominan las normas locales y nacionales de electrotecnia.
- Desconecte la alimentación eléctrica antes de instalar o retirar el módulo AL2-ASI-BD.
- Reemplace la cubierta después de retirar el módulo AL2-ASI-BD.
- Mitsubishi Electric no se responsabilizará bajo ninguna circunstancia de cualquier daño ocurrido como consecuencia de la instalación o la utilización de este equipo.

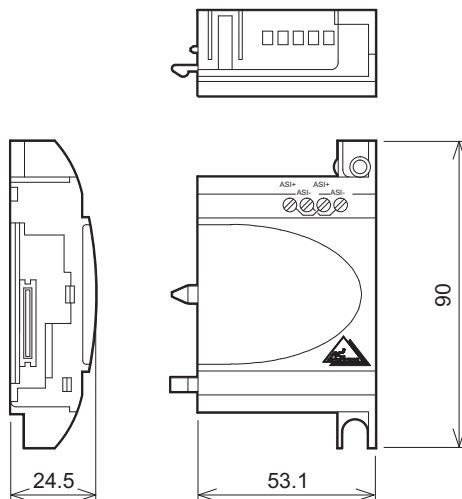
9.1 INTRODUCCIÓN

El AL2-ASI-BD se conecta al cuerpo principal del controlador de serie $\alpha 2$, formando una estación esclava al servicio de una red (4 entradas, 4 salidas). Al crear ésta red de ampliación, es posible conectar 31 estaciones esclavas como máximo. La fuente de energía eléctrica de la interfaz AS suministra la corriente necesaria para la comunicación a través del bus de la red.

9.1.1 Dimensiones externas

Figura 9.1: Dimensiones externas

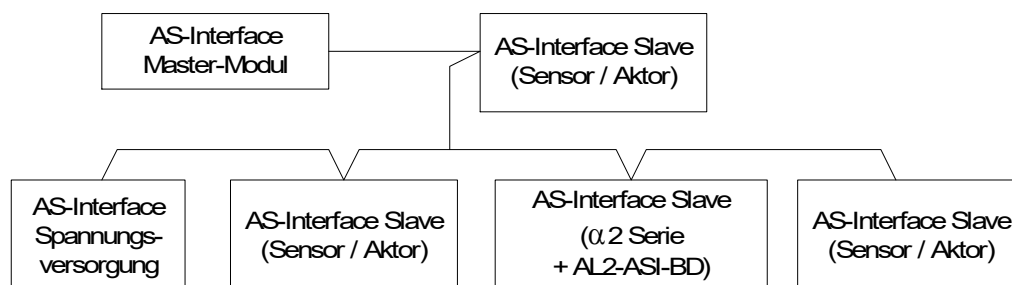
Dimensiones : mm



ESP

9.1.2 Configuración del sistema

Figure 9.2: Configuración del sistema



9.2 ESPECIFICACIONES

Refiérase al Capítulo 2 sobre las especificaciones generales..

Tabla 9.1: Especificaciones de la comunicación a nivel de hardware

Concepto	Descripción
Número de E/S	4 entradas (E01-E04) 4 salidas (A01-A04)
Tiempo de refresco E/S	máx. 5ms
Alcance de la red	máx. 100m
Voltaje de alimentación externa	Típico. 30,5V CC (fuente de interfaz AS)
Consumo	40 mA o menos
Directriz CE	EMC
Se corresponde con	ASi

Tabla 9.2: Especificaciones de la comunicación a nivel de software

Ítem	Contenido	
Número de estación	Configurada por la estación maestra (por defecto es 0 de fábrica)	
Código IO	7	
Código ID	F	
Bit de datos	D0 - D3	Entrada Salida 01 - 04 (E01 - E04, A01 - A04)
Bit de configuración	P0	Monitor de comunicación (configurada por defecto). *1
	P1,P2,P3	No usado
Bit sistema	M6	"ON" (conectado) cuando ocurre un error de comunicación de la interfaz AS
	M7	"ON" (conectado) cuando ocurre un error de comunicación a causa de una falla de energía de la interfaz AS
Bit control	N1	ON: Desconectado de la red de interfaz AS. OFF: Conecta a la red de interfaz AS.

*1 Función para resetear la señal de entrada cuando la comunicación de la interfaz AS se interrumpe por 70 ms o más.

9.3 CONEXIONADO E INSTALACIÓN

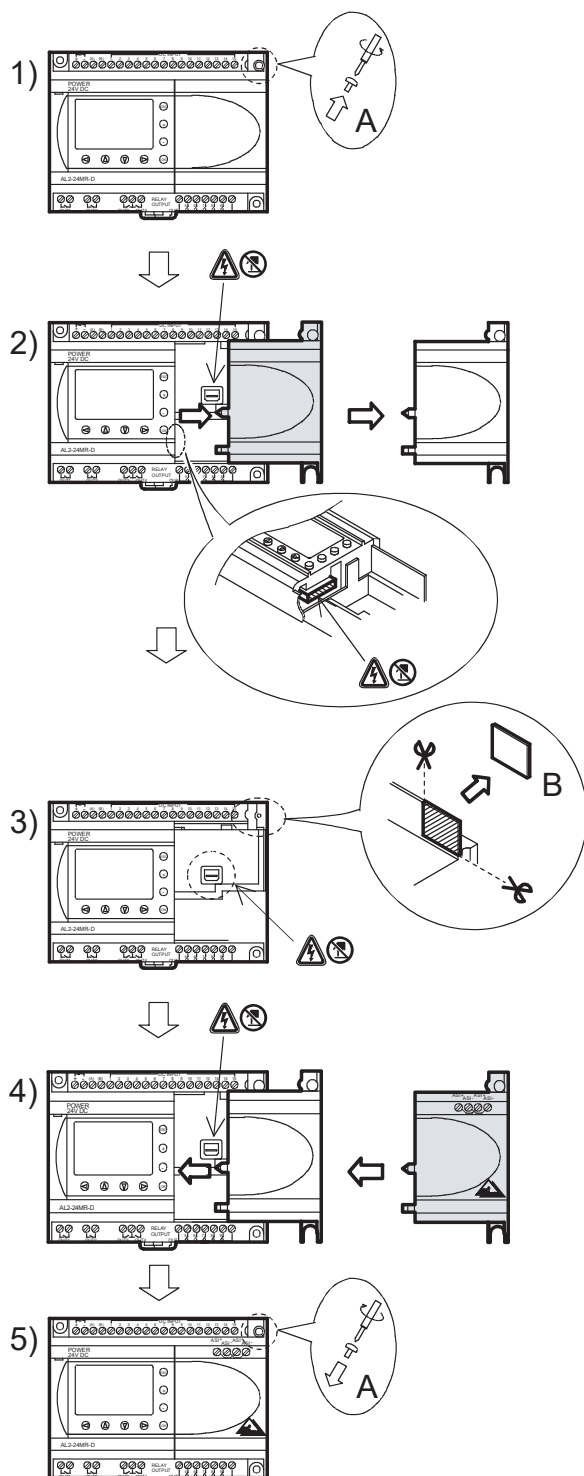
9.3.1 Instalación



Atención

Desconectar todos los terminales de la fuente de alimentación de energía antes de retirar la cubierta.

Figura 9.3: Instalación



- 1) Retire el tornillo 'A' y guárdelo.
- 2) Retire con cuidado la cubierta puertos de expansión montada de fábrica.
- 3) Separe la sección 'B' de la unidad base del controlador de la serie $\alpha 2$.
- 4) Vuelva a colocar el AL2-ASI-BD en la unidad base.
- 5) Vuelva a colocar el tornillo 'A' y apriételo con un torque de 0,4 N·m.

: Peligro de descarga eléctrica.

: No tocar las partes conductoras directamente.

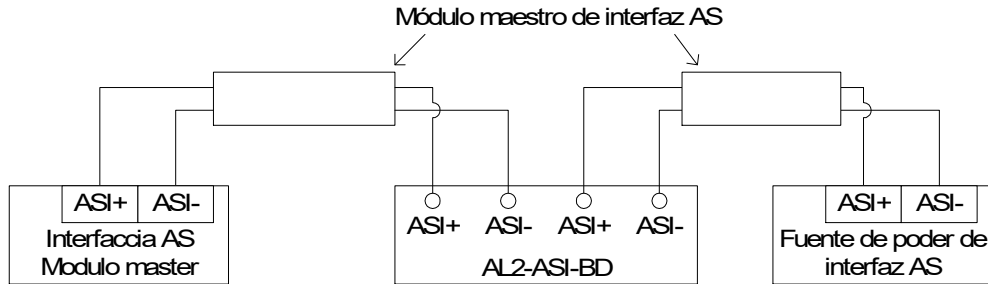
ESP

9.3.2 Alambrado



Utilice un cable plano para interfaz AS (amarillo) para conectar el AL2-ASI-BD a la red. Al conectar el cable de interfaz AS al módulo, apriete los tornillos de las patillas del conector de comunicación con una fuerza de 0,5 - 0,6 N·m.

Tabla 9.3: Alambrado



9.4 Asignación de Direcciones al Esclavo y Diagnóstico

9.4.1 Asignación de Direcciones al Esclavo

La dirección del esclavo de cada una de las direcciones esclavas pueden configurarse ya sea con la unidad central o con un dispositivo de programación. Al agregarse una nueva estación al bus de la interfaz AS, el módulo maestro asigna la dirección más baja disponible.

Las direcciones de las estaciones esclavas varían de 1 a 31 y pueden asignarse solamente a un módulo provisto de dirección inicial 0 (cero). Los módulos nuevos vienen preajustados a 0 antes de su envío desde fábrica. Si a un módulo se le ha asignado antes una dirección que no sea 0, tendrá que reinicializarse a 0 antes de poder agregarlo a la red.

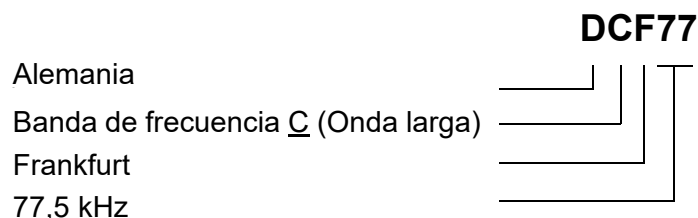
Las estaciones se agregan a la red a razón de una por vez. En esas circunstancias es preciso desconectar la red antes de cada ampliación. Consulte el manual de módulos del maestro de la interfaz AS para saber cómo cambiar los números de los módulos de la unidad central.

9.4.2 Comprobaciones a Realizar en Caso de Error

- 1) Si ocurre un error por defecto de comunicación (M6);
 - verifique las conexiones al maestro de la interfaz AS y compruebe si el número de la estación esclavo es el correcto,
- 2) Si se produce un error de suministro de alimentación a la comunicación (M7);
 - verifique la conexión del cable del bus de la interfaz AS en cada una de las unidades afectadas, incluida la fuente de alimentación de la interfaz AS y su funcionamiento.

10. Reloj sincronizado por radio DCF77

Con la función del DCF77 puede ajustarse automáticamente el reloj integrado del control $\alpha 2$. Para esto se reciben y decodifican las señales emitidas por un emisor ubicado en la cercanía de Francfort del Meno en la frecuencia de 77,5 kHz. La abreviación „DCF77“ representa:



10.1 Vista sinóptica

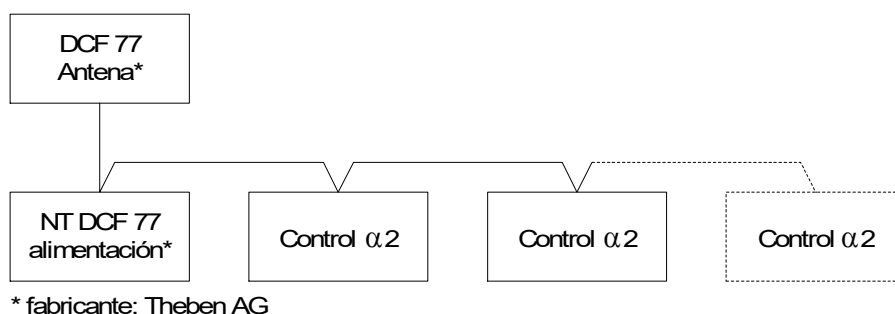
Tabla 10.1: Reloj sincronizado por radio

Propiedad	Descripción
Ubicación del emisor	Mainflingen, 25 km al sur de Francfort del Meno
Frecuencia	77,5 kHz
Alcance	2000 km
Codificación	BCD (Cifra decimal Binario Codificado)
Datos transferidos	Minutos, horas, fecha (día, mes, año), día hábil
Horario de transferencia	24 horas por día

Hasta los 59 segundos se reduce la amplitud del portador al inicio de cada segundo durante 100 ms (binario:0) o bien 200 ms (binario:1) a un valor de 25 %.

10.2 Configuración del sistema

Figura 10.1:



En relación con el control $\alpha 2$ debe utilizarse una antena DCF77 de la marca Theben, así como al menos una fuente de alimentación Theben para la alimentación de corriente de la antena. El decodificador del control $\alpha 2$ reconoce solamente las señales de una antena DCF77 de la marca Theben.

La fuente de alimentación suministra una tensión continua de 12 V a la antena. Se debe utilizar exclusivamente una fuente de alimentación de la marca Theben para la alimentación de corriente y la disposición de las señales DCF77.

Se pueden conectar hasta 10 controles $\alpha 2$ en una antena/fuente de alimentación.

10.3 Datos técnicos

Los datos técnicos generales se encuentran en el capítulo 2.

Tabla 10.2: Antena Theben DCF77

Propiedad	Descripción
Denominación	Antena DCF77 907 0 243
Temperatura de entorno	20° - 70 °C
Tipo de protección	IP 54
Sensibilidad	100 $\mu\text{V/m}$
Zona de recepción	aprox. 1000 km en el entorno de Franfort del Meno
Longitud de la línea de conexión	máx. 200 m
Polaridad	Sin

**Atención**

- La antena Theben DCF77 no debe instalarse en cercanía de televisores, computadores o centrales telefónicas para evitar fallas debido a aparatos externos.

Tabla 10.3: Fuente de alimentación Theben

Propiedad	Descripción
Denominación	Fuente de alimentación NT DCF 77 907 0 182
Tensión de operación	230 V CA~ +/-10 %
Frecuencia	50-60 Hz
Consumo de potencia	máx. 3 VA
Longitud de la línea de alimentación de red	máx. 200 m (línea bifilar)
Cant. máx. de aparatos conectables	10
Clase de protección	II según NE 60335
Tipo de protección	IP20 según NE 60529

Tabla 10.4: Versiones aplicables

PLC y software de programación	Versión aplicable
$\alpha 2$ -Control (Sólo la versión de CC)	V2.00 o superior
Software VLS	V2.30 o superior

**Atención**

- Un control $\alpha 2$ que se conecta directamente en la tensión alterna para su alimentación, ya no puede utilizarse para la evaluación de las señales DCF77.
- Las señales DCF77 deben conectarse para la decodificación solamente en las entradas analógicas de un control $\alpha 2$ con una alimentación de tensión continua.

ESP

Figura 10.2: Bits de sistema utilizados

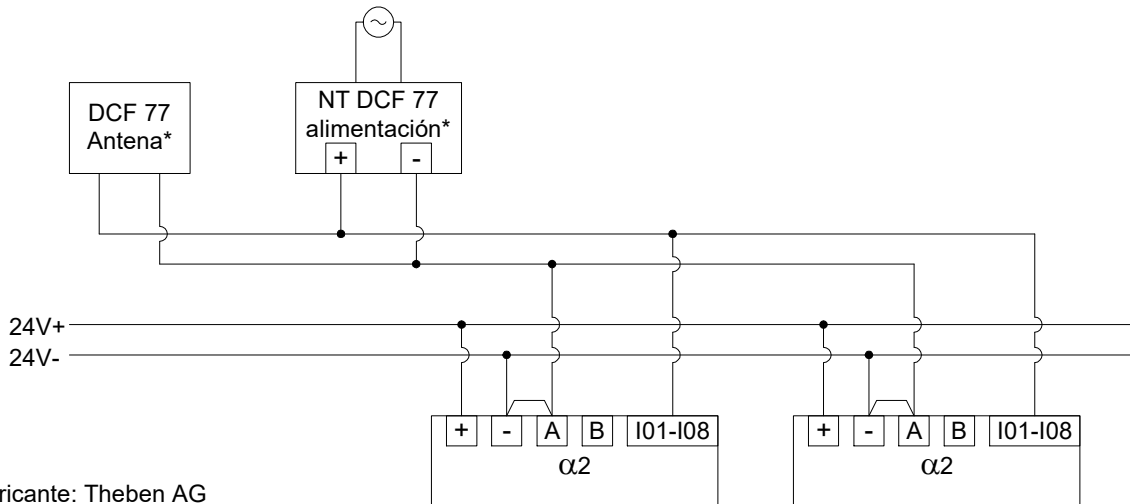
Propiedad	Descripción	
Bit de sistema	M10	Se aplica durante la decodificación de las señales DCF77.
	M11	Este bit de sistema se aplica como impulso en caso de una terminación correcta de la decodificación de las señales DCF77.
	M15	Este bit de sistema se aplica cuando se presenta una falla en la decodificación de las señales DCF77.

Mayores informaciones acerca de la programación se encuentran en las Instrucciones de Programación del control $\alpha 2$.

10.4 Conexión

10.4.1 Cableado

Figura 10.3: Conexión de la antena DCF77 y de la fuente de alimentación



El control $\alpha 2$ debe conectarse en la configuración „Source“. En caso de una conexión diferente no se registran y decodifican las señales DCF77 en las entradas analógicas.

Tabla 10.5: Condiciones para la conexión

Propiedad	Descripción
Entradas utilizables del control $\alpha 2$ para las señales de antena	AL2-10MR-D: I01 - I06 AL2-14MR-D,AL2-24MR-D: I01 - I08
Cantidad de controles $\alpha 2$ para la antena DCF77	10
Longitud máx. de la línea hacia la antena	200 m

10.4.2 Ajuste DCF77 de la pantalla $\alpha 2$

- 1) En el Menú Inicial, avance a "PonerHora" y presione la tecla "OK". En las opciones que aparecen,, avance a "RadioReloj" y presione la tecla "OK". Sólo aparece una opción si no activó el Radioclock. Avance a "RadioReloj" y presione la tecla "OK".
- 2) En las opciones que aparecen, avance a "DCF77" y presione la tecla "OK".
- 3) Elija la entrada (I01 - I08) analógica $\alpha 2$ que transporta la señal de antena DCF77. Aparecerán más opciones en el menú Radioclock. Avance a "Entrada." y presione la tecla "OK". *1
- 4) Ingrese la entrada analogical (I01 – I08) con los botones +, - y presione la tecla "OK".
- 5) Ajuste la diferencia de husos horarios entre Francfurt Alemania y el lugar del controlador. Este valor se agrega a la hora recibida. Avance a "Dif.Tiempo" y presione la tecla "OK".
- 6) Seleccione la diferencia de huso horario en incrementos de media hora utilizando los botones +, -. Presione "OK" para seleccionar la diferencia de huso horario actual.
- 7) La decodificación de la señal de la hora puede detenerse o iniciarse manualmente. Avance a "Op. manual" y presione la tecla "OK".
- 8) Presione las teclas "OK" o "ESC" para hacer una operación de ejecución o cancelación.

```
RadioReloj
» RadioReloj
```

```
RadioReloj
» No Uso
   DCF77
```

```
RadioReloj
RadioReloj
» Entrada
   Dif.Tiempo
```

```
RadioReloj
Entrada
   I01
```

```
RadioReloj
RadioReloj
Entrada
» Dif.Tiempo
```

```
RadioReloj
Dif.Tiempo
   0.0hrs
```

```
RadioReloj
Entrada
Dif.Tiempo
» Op.manual
```

```
Op.manual
Parada act.
```

```
OK o ESC
```

Nota

- *1 El controlador $\alpha 2$ cambiará entre "¡Sin señal" y "RadioReloj" si no se recibe ni se descodifica la señal DCF77.

10.4.3 Inicio automático

La fase de descodificación Radioclock DCF77 se iniciará automáticamente cuando se cumplan las siguientes condiciones:

- 1) El Reloj de Tiempo Real (RTC) $\alpha 2$ llega a 1.00 am.
- 2) El Reloj de Tiempo Real (RTC) $\alpha 2$ producirá un error después de conectar a ON el controlador.

10.4.4 Parada automática

La fase de descodificación Radioclock DCF77 se parará automáticamente cuando se cumplan las siguientes condiciones:

- 1) El Reloj de Tiempo Real (RTC) $\alpha 2$ se configuró correctamente y se recibió una hora válida
- 2) No se recibió una hora válida durante 30 minutos o pruebas.

10.4.5 Verificación de la hora recibida

Se verifica la validez de la hora descodificada Radioclock DCF77 basado en los siguientes tres ítems:

- 1) Verificación de paridad - Se protege el cuadro de datos de código de la hora DCF77 con tres bits de paridad (par). El primer bit de paridad protege los datos de los minutos, el segundo protege los datos de la hora y el tercer bit de paridad protege los datos del día, día de la semana, mes y año.
- 2) verificación de gama de datos -
 - a) $0 \leq \text{minutos} \leq 59$
 - b) $0 \leq \text{horas} \leq 23$
 - c) $1 \leq \text{días} \leq 31$
 - d) $1 \leq \text{mes} \leq 12$
 - e) $0 \leq \text{año} \leq 59$
- 3) Verificación de diferencia horaria - La diferencia entre dos cuadros de hora recibida debe ser equivalente a 1 minuto y se hace referencia al tiempo total (en minutos de 1990/0/01) de cada cuadro de tiempo.



Precaución

- Cuando se utiliza "Inicio act." para iniciar manualmente la descodificación DCF77, el usuario debe verificar el estado de M10 (señal activa de codificadora) 30 minutos después de iniciar la descodificación. Si el M10 está desactivado, la descodificación DCF77 finaliza sin error. Si el M10 sigue activado a ON, hay un problema en el cableado o en la existencia de la señal en el lugar de uso. El usuario debe verificar ambas causas posibles.

11. AL2-2DA (AL2-14MR-*, AL2-24MR-*)

El módulo de salida analógica AL2-2DA se aplica conjuntamente con un control $\alpha 2$ para emitir respectivamente la tensión o bien la corriente en dos salidas analógicas.

Mayores informaciones se encuentran en las Instrucciones de Programación del control $\alpha 2$, así como en las Instrucciones de Instalación del módulo de salida analógica AL2-2DA.



Atención

- El cableado eléctrico de los aparatos debe realizarse solamente por personal especialmente cualificado que está familiarizado con los estándares locales y nacionales de seguridad de la técnica de automatización .
- El control $\alpha 2$ no ha sido desarrollado para aplicaciones de mantención de vida o de autosupervisión.
- MITSUBISHI ELECTRIC no asume bajo ninguna circunstancia la responsabilidad o garantía para daños derivados de una instalación o aplicación no apropiadas de los aparatos o sus accesorios.
- Ponga atención en la instalación correcta del AL2-2DA con el control $\alpha 2$ para evitar funcionamientos erróneos.

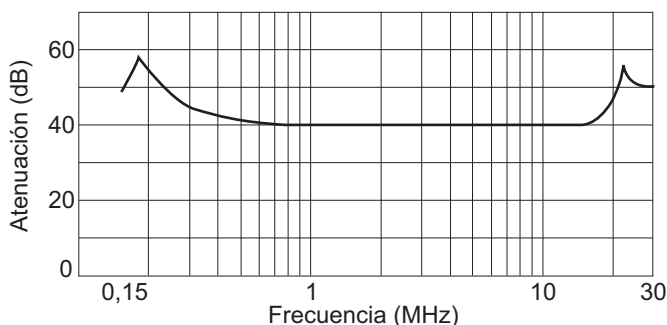


Precaución de EMC

Se determinó que el módulo analógico de la serie Éø2 de Mitsubishi Electric cumple con las normas y directivas europeas mencionadas. Sin embargo, (para óptimas prestaciones de lo que son mediciones delicadas y equipos de salida de controlador) Mitsubishi Electric pretende marcar los siguientes puntos.

- Como los módulos analógicos son sensibles por naturaleza debe tener cuidado con su uso. Para los usuarios de cables de venta especial (integrados con sensores o impulsores), estos usuarios deben seguir las instrucciones de instalación del fabricante.
- Mitsubishi Electric recomienda el uso de cables blindados. Si NO hay ninguna otra protección EMC, los usuarios pueden sufrir errores temporales que no superan +10%/-10% en áreas muy industrializadas. Sin embargo, Mitsubishi Electric sugiere que si se siguen precauciones EMC adecuadas con prácticas generales EMC buenas para que los usuarios completen el sistema de control, los usuarios deben esperar errores normales según se especifica en cada manual de productos independientes.
- Asegúrese de ajustar el filtro de ruido en el cable eléctrico. Las pruebas de EMC Mitsubishi han sido llevadas a cabo sobre el filtro de ruidos con el modo común de características de atenuación (Figura 11.1) de 50 dB a 150 kHz hasta 2 MHz.

Figura 11.1: Características de Atenuación del Filtro de Ruidos



11.1 Vista sinóptica

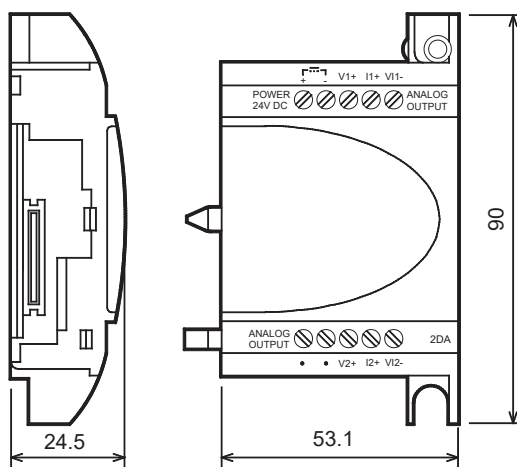
El módulo de salida analógico AL2-2DA (en adelante "AL2-2DA") debe instalarse en un controlador de la serie $\alpha 2$ y debe utilizarse para convertir un valor digital en una señal de salida analógica de voltaje (0-10V) o corriente (4-20mA).

El AL2-2DA puede utilizarse conjuntamente con el bloque de función „Salida analógica“ (AO) del control $\alpha 2$. Mayores informaciones acerca de la programación se encuentran en las Instrucciones de Programación del control $\alpha 2$.

11.1.1 Dimensiones exteriores

Figura 11.2: Dimensiones exteriores

Unidad:mm



11.1.2 Configuración del sistema

Los datos técnicos generales se encuentran en el capítulo 2.

Tabla 11.1: Versiones aplicables

PLC y software de programación	Versión aplicable
AL2-14MR-*,AL2-24MR-*	V2.00 o superior
Software VLS	V2.30 o superior



Observación

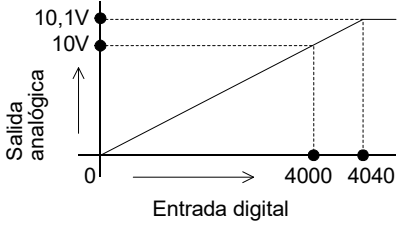
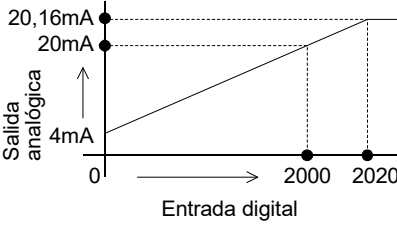
- 1) En un control $\alpha 2$ puede conectarse solamente un AL2-2DA; solamente un módulo de amplificación puede operarse conjuntamente con el aparato base.
- 2) El AL2-2DA no puede operarse conjuntamente con un AL2-4EX-A2, AL2-4EX, AL2-ASI-BD, AL2-4EYR o bien AL2-4EYT.
- 3) El AL2-2DA no puee conectarse en un control α .

11.2 Datos técnicos

Tabla 11.2: Alimentación de corriente

Propiedad	Descripción
Alimentación de corriente interna	Mediante el aparato base $\alpha 2$
Alimentación de las salidas analógicas	24 V CC (+20 %, -15 %)
Consumo eléctrico máximo	1,5 W
Fusible <Clasificación>/<Type>	86 V CC 1,6 A / Corriente de irrupción

Tabla 11.3: Datos técnicos del hardware

Propiedad	Datos técnicos	
	Tensión	Corriente
Rango de salida analógica	0 - 10 V CC (Carga externa: 5 k Ω - 1 M Ω)	4 - 20 mA (Carga externa: < 500 Ω)
Entrada digital	0 a 4000	0 a 2000
Resolución	2,5 mV (10 V / 4000)	8 μ A ((20-4) mA / 2000)
Precisión	+/- 1% en el rango completo (0 - 10 V: +/- 0,1V)	+/- 1% en el rango completo (4 - 20 mA: +/- 0,16 mA)
Tiempo de transformación	20 mseg. (10 mseg x 2 canales)	
Aislamiento	Mediante optocoplador	
Propiedad de transformación		



Observaciones

- 1) Con una resistencia de carga externa de 5 k Ω a 1M Ω , la precisión es de „+/- 1 %“. (el punto de calibración de fábrica es una carga externa de 10k Ω)
Si la resistencia de la carga es menor de 5k Ω , el voltaje de salida se hace menor que el valor correcto.
- 2) En la emisión de una corriente, la resistencia de carga no debe ser superior a 500 Ω .
Cuando el valor de una resistencia de carga supera los 500 Ω , la corriente de salida se encontrará por debajo del valor correcto.

Tabla 11.4: Bits de sistema utilizados

Propiedad	Descripción
Bit de sistema	M16
	Se aplica cuando se activó la tensión de alimentación externa del AL2-2DA.

11.3 Instalación y cableado

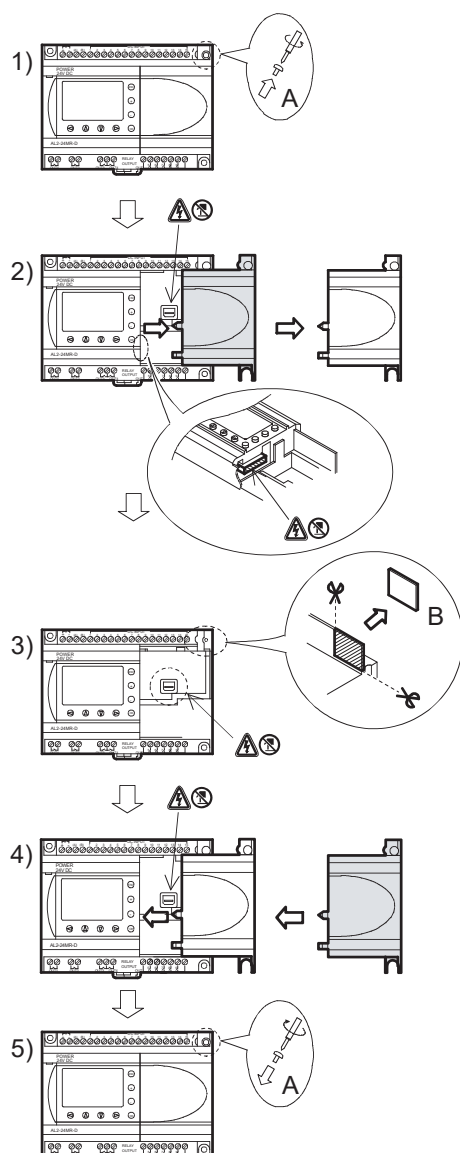
11.3.1 Instalación



Atención

- Desactive la tensión de alimentación del control antes de instalar el AL2-2DA.
- No instalar el control en empresas que están expuestas a los siguientes impactos del medio ambiente: Polvo excesivo, polvos con propiedades conductoras, gases cáusticos o inflamables, humedad o lluvia, calor excesivo, continuas sacudidas o vibraciones excesivas.
- El control $\alpha 2$ debe instalarse en un armario de distribución según DIN 43880 o bien en una caja de control.
- Para fines de refrigeración del aparato debe mantenerse un espacio libre mínimo de 10 mm entre la parte inferior y superior del control $\alpha 2$ y las paredes del armario de distribución .

Figura 11.3: Instalación



- 1) Retire el tornillo „A“.
- 2) Retire cuidadosamente la cubierta del enchufe de amplificación.
- 3) Recorte el rango 'B' del módulo base del control $\alpha 2$.
- 4) Monte el módulo de amplificación en el portador del componente.
- 5) Apriete el tornillo 'A' con un torque de 0,4 N·m.

: Peligro de descarga eléctrica.

: No tocar las partes conductoras directamente.

11.3.2 Cableado



Atención

- Desactive la tensión de alimentación antes de realizar los trabajos en el cableado.
- Las señales de las diferentes salidas deben guiarse en cables separados.
- Para la conexión de las líneas deben utilizarse alambres rígidos o flexibles (para engarzado a presión) que están cuidadosamente torcidos. No utilice alambres flexibles con extremos soldados en el control $\alpha 2$.
- La longitud de las líneas para las señales de salida no debe sobrepasar los 30 m.
- Para evitar un daño en los alambres, deben apretarse los tornillos de apriete con un torque de 0,5 a 0,6 N·m.
- Las conexiones deben estar cubiertas para evitar el contacto de piezas con energía aplicada.

Figura 11.4: Cableado para la emisión de una tensión

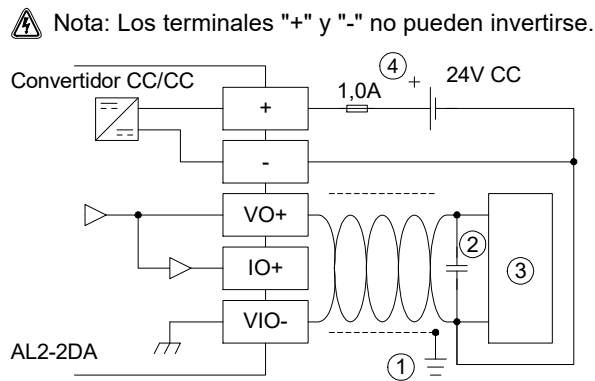
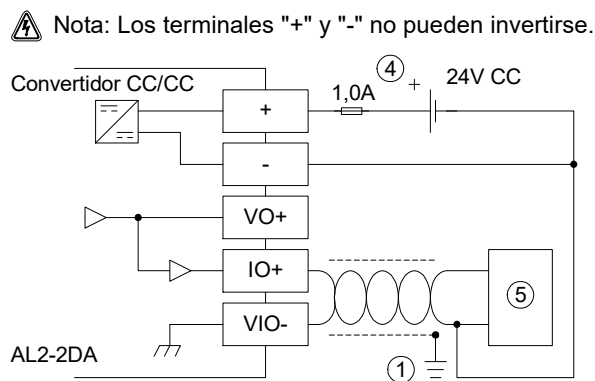


Figura 11.5: Cableado para la emisión de una corriente



ESP

Tabla 11.5: Notación de cableados

Item	Description
1	Resistencia a tierra de 100Ω o menos
2	En el caso de un ruido aparente excesivo, conecte un condensador de 0,1-0,47μF
3	Equipo externo como un inversor, etc.
4	Alimentación eléctrica externa con CC de 24 V
5	Equipo externo como medidor de registro, etc.

11.3.3 Diagnóstico de fallas

En caso que se presente una falla en la alimentación de corriente externa (M16):

- Controle si la tensión de alimentación se conectó correctamente en los bornes „+“ y „-“ del AL2-2DA.
- Mide la tensión de la fuente de tensión conectada. El AL2-2DA debe alimentarse con una tensión continua de 24 V.

12. AL2-2PT-ADP

El módulo de adaptador PT100 AL2-2PT-ADP transforma la señal de un sensor de temperaturas PT100-hacia una tensión de 0 a 10 V para su posterior procesamiento en el aparato base. Mayores informaciones se encuentran en las Instrucciones de Instalación del AL2-2PT-ADP.



Atención

- El cableado eléctrico de los aparatos debe realizarse solamente por personal especialmente cualificado que está familiarizado con los estándares locales y nacionales de seguridad de la técnica de automatización .
- El control $\alpha 2$ no ha sido desarrollado para aplicaciones de mantención de vida o de autosupervisión.
- MITSUBISHI ELECTRIC no asume bajo ninguna circunstancia la responsabilidad o garantía para daños derivados de una instalación o aplicación no apropiadas de los aparatos o sus accesorios.



Precaución de EMC

Se determinó que el módulo analógico de la serie $\text{E}\phi 2$ de Mitsubishi Electric cumple con las normas y directivas europeas mencionadas. Sin embargo, (para óptimas prestaciones de lo que son mediciones delicadas y equipos de salida de controlador) Mitsubishi Electric pretende marcar los siguientes puntos.

- Como los módulos analógicos son sensibles por naturaleza debe tener cuidado con su uso. Para los usuarios de cables de venta especial (integrados con sensores o impulsores), estos usuarios deben seguir las instrucciones de instalación del fabricante.
- Mitsubishi Electric recomienda el uso de cables blindados. Si NO hay ninguna otra protección EMC, los usuarios pueden sufrir errores temporales que no superan +10%/-10% en áreas muy industrializadas. Sin embargo, Mitsubishi Electric sugiere que si se siguen precauciones EMC adecuadas con prácticas generales EMC buenas para que los usuarios completen el sistema de control, los usuarios deben esperar errores normales según se especifica en cada manual de productos independientes.

12.1 Vista sinóptica

El módulo de adaptador PT100 AL2-2PT-ADP transforma la señal de un sensor de temperaturas PT100-hacia una tensión de 0 a 10 V para su posterior procesamiento en el aparato base.

12.1.1 Dimensiones exteriores

Figura 12.1: Dimensiones exteriores

Unidad: mm

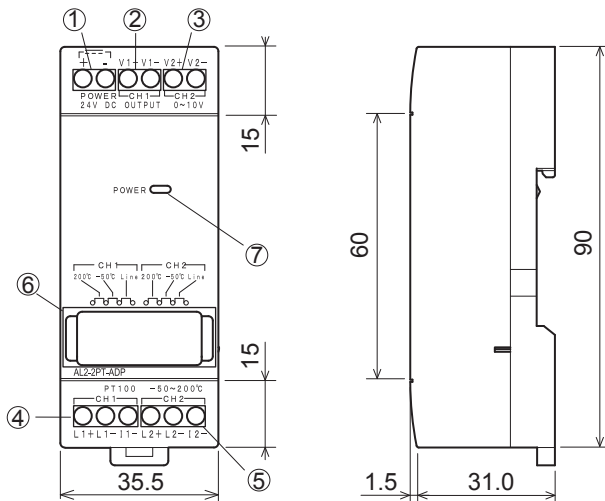
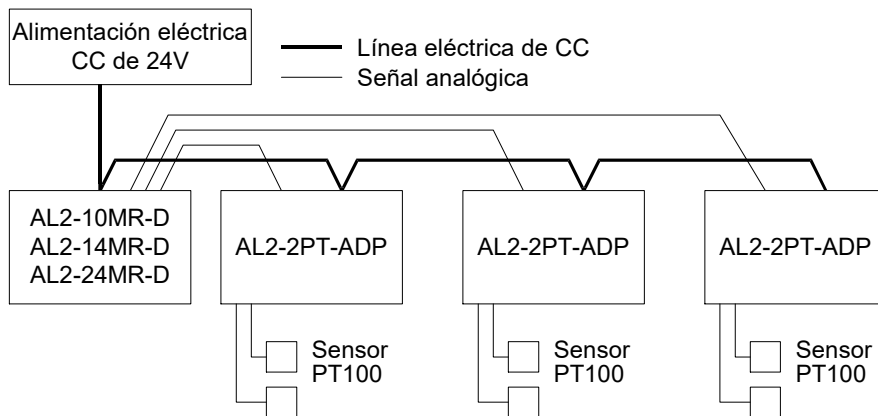


Tabla 12.1:

Item	Description
1	+24 V CC Terminal de entrada
2	Canal 1 Terminal de salida de tensión
3	Canal 2 Terminal de salida de tensión
4	Termómetro de resistencia PT100, canal 1
5	Termómetro de resistencia PT100, canal 2
6	Puente para la regulación del módulo
7	LED de potencia para la indicación de la disposición de servicio

12.2 Configuración del sistema

Figura 12.2:



Los datos técnicos generales se encuentran en el capítulo 2.

Tabla 12.2: Versiones aplicables

PLC y software de programación	Versión aplicable
$\alpha 2$ -Control (Sólo la versión de CC)	V2.00 o superior
Software VLS	V2.30 o superior



Observación

El AL2-2PT-ADP no puede conectarse en un control α .

12.3 Datos técnicos

Tabla 12.3: Datos técnicos generales

Propiedad	Datos técnicos
Temperatura durante la operación	(-25) - 55 °C
Temperatura de almacenamiento	(-30) - 70 °C
Humedad de aire	Humedad de aire relativa de 35 a 85 %, sin condensación
Resistencia de vibración con Montaje en rieles DIN	Corresponde a IEC 68-2-6; 10 – 57 Hz: amplitud constante de 0,075 mm, 57 – 150 Hz: Aceleración de 9,8 m/s ² , ciclo de desviación para X, Y, Z: 10 x (80 min. en cada una de las tres direcciones)
Resistencia a golpes	Corresponde a IEC 68-2-27: Aceleración de 147m/s ² para 11 ms, 3 veces en cada una de las tres direcciones X, Y y Z
Resistencia a tensión parásita	1000 Vpp para 1µs, 30 - 100 Hz, comprobado con simulador de tensión parásita
Rigidez dieléctrica	500 V CA~ durante un minuto entre todos los terminales y el bloque de control DIN43880 o equivalente.
Resistencia del aislamiento	7 MΩ 500 V CC entre todos los terminales y la caja de distribución DIN43880 o equivalente.
Condiciones de entorno	Libre de gases agresivos

Tabla 12.4: Alimentación de corriente

Propiedad	Datos técnicos
Alimentación de tensión	24 V CC (+20 %, -15 %)
Consumo eléctrico máximo	1,0 W

Tabla 12.5: Coincidencia con normas y directrices

Propiedad		Norma/Directriz
Directriz CE	EMC	EN61131-2: 2007
Certificación de UL/cUL		Número de archivo: E95239

ESP

Tabla 12.6: Datos técnicos del hardware

Propiedad	Datos técnicos	
	Grados Celsius ($^{\circ}\text{C}$)	Grados Fahrenheit ($^{\circ}\text{F}$)
Sensor de temperatura	Termómetro de resistencia de platino PT100 (100 Ω), conexión trifilar, coeficiente de temperatura: IEC 751	
Rango compensado	-50 $^{\circ}\text{C}$ - 200 $^{\circ}\text{C}$	-58 $^{\circ}\text{F}$ - 392 $^{\circ}\text{F}$
Precisión	$\pm 1,5\%$ (bajo todas las temperaturas) y $\pm 1,0\%$ con 25 $^{\circ}\text{C}$	$\pm 1,5\%$ (bajo todas las temperaturas) y $\pm 1,0\%$ con 77 $^{\circ}\text{F}$
Resolución	0,5 $^{\circ}\text{C}$	
Tiempo de transformación	20,5 msec.	
Aislamiento	Sin aislación entre canales (entrada/salida) y alimentación eléctrica	
Propiedad de transformación		

Tabla 12.7: Bits de sistema utilizados

Propiedad		Descripción	AL2-10MR-D	AL2-14MR-D AL2-24MR-D
Bit de sistema	M17	Se aplica en I01 en caso de una falla de sensor	✓	✓
	M18	Se aplica en I02 en caso de una falla de sensor	✓	✓
	M19	Se aplica en I03 en caso de una falla de sensor	✓	✓
	M20	Se aplica en I04 en caso de una falla de sensor	✓	✓
	M21	Se aplica en I05 en caso de una falla de sensor	✓	✓
	M22	Se aplica en I06 en caso de una falla de sensor	✓	✓
	M23	Se aplica en I07 en caso de una falla de sensor	—	✓
	M24	Se aplica en I08 en caso de una falla de sensor	—	✓

12.4 Instalación y cableado

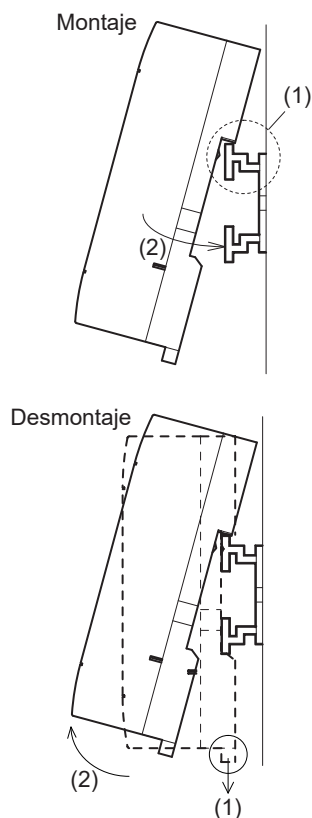
12.4.1 Instalación



Atención

- Los aparatos no debe exponerse a las siguientes condiciones de entorno: Entornos con un alto nivel de polvos conductores, corrosión, gases inflamables, alto nivel de humedad de aire, lluvia, insolación directa, altas temperaturas, fuertes ondas de choques y vibraciones.
- Las conexiones deben estar cubiertas para evitar el contacto con piezas con energía aplicada.
- El control $\alpha 2$ y el AL2-2PT-ADP deben instalarse en un armario de distribución según DIN 43880 o bien en una caja de control. El AL2-2PT-ADP debe protegerse de los cuerpos extraños mediante una cubierta.
- Para la refrigeración debe mantenerse una distancia de 10 mm entre la parte superior e inferior del AL2-2PT-ADP y los demás aparatos.
- La máxima distancia entre el controlador de la serie $\alpha 2$ y el AL2-2PT-ADP debe ser de 3 m o menos.
- El cable eléctrico debe tener un largo de menos de 10m.
- Debe utilizar un sensor con aislación con régimen de 500V o más cuando se instala el sensor cerca de un material conductor.

Figura 12.3: Instalación



El módulo puede montarse sobre un riel DIN (35 mm, DIN EN 50022). Para el desmontaje debe retirarse el pasador previsto con un resorte para extraer luego el módulo del riel.

1) Montaje

Coloque el AL2-2PT-ADP con la parte superior sobre el riel DIN (1) y empuje el módulo sobre el riel (2).

2) Desmontaje

Extraiga el pasador hacia abajo (1) y retire el AL2-2PT-ADP.

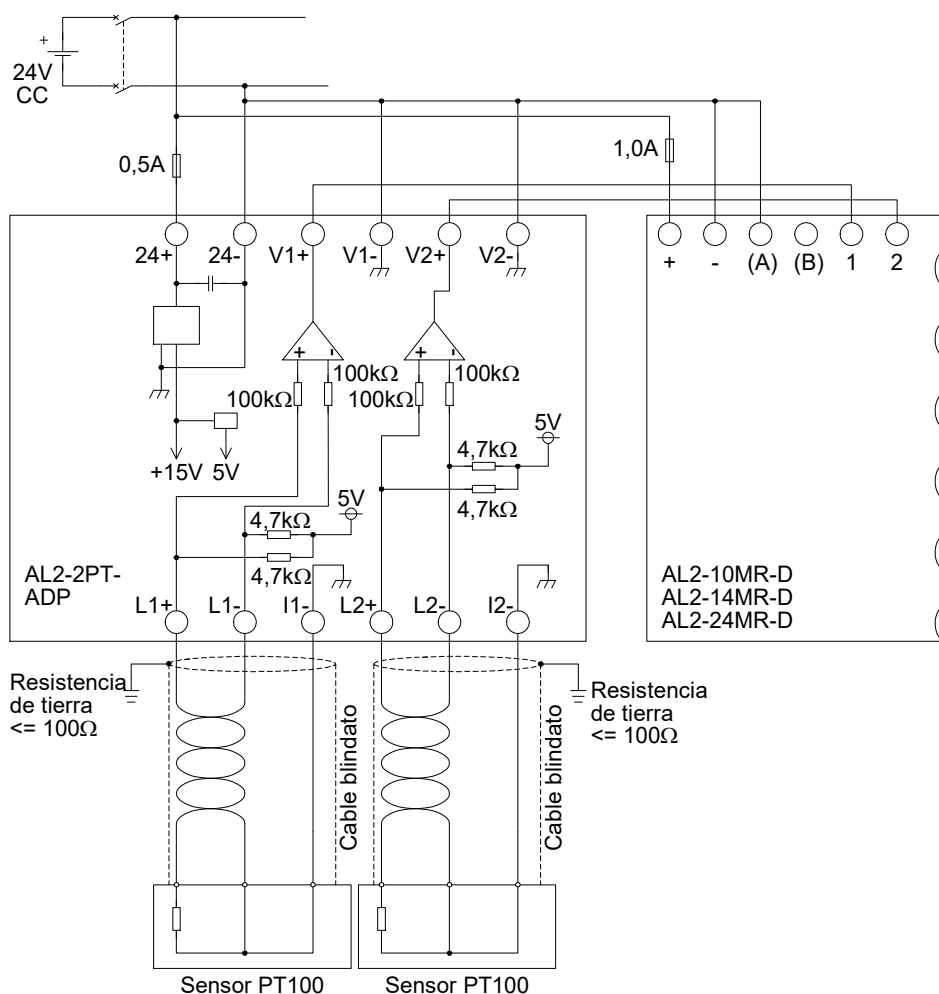
12.4.2 Cableado



Atención

- Utilice una fuente de alimentación aislada y desactive la tensión antes de iniciar los trabajos en el cableado.
- Las señales de entrada y salida no deben guiarse por el mismo cable o bien el mismo arnés de cables.
- La longitud de las líneas para las señales de entrada (del sensor al AL2-2PT-ADP) no debe sobrepasar 10 m, en caso de las líneas para las señales de salida no deben sobrepasarse los 3 m.
- Para la conexión de las líneas deben utilizarse alambres rígidos o flexibles (para engarzado a presión) que están cuidadosamente torcidos. No conecte alambres flexibles con extremos soldados en el AL2-2PT-ADP.
- Para evitar un daño en los alambres, deben apretarse los tornillos de apriete con un torque de 0,5 a 0,6 Nm.
- Antes de realizar el cableado para el ajuste de la desviación y amplificación en el AL2-2PT-ADP debe desactivarse la tensión de alimentación.

Figura 12.4: Conexión



12.4.3 Selección de una unidad de medida para la temperatura

- 1) Active la tensión de alimentación del control $\alpha 2$ y seleccione en el menú principal la opción „Más“.

```
Menú Princ
Poner Hora
LANGUAGE
» Más
```

- 2) En el menú „Más“ debe seleccionarse la opción „Entrad An“.

```
Más
Com. Serie
Tiemp. Luz
» Entrad An
```

- 3) En el menú „Entrad An“ debe seleccionarse „Esc. temp.“.

```
Entrad An
107
108
» Esc. temp.
```

- 4) Seleccione entre „Celsius“ y “Fahrenheit“ mediante la tecla OK

```
Entrad An
Esc. temp.
» Celsius
Fahrenheit
```



La unidad de medida puede modificarse sólo conjuntamente para ambos canales.



Los valores en el menú de calibración se indican en Grados Celsius independientemente de la unidad de medida seleccionada, ya que los contactos para los puentes de enchufe del AL2-2PT-ADP están rotulados con esta unidad.

12.4.4 Compensación de la desviación



Nota

Si se completó el ajuste de ganancia, no son necesarios los pasos 3 - 7.

- 1) Antes de la calibración del canal 1 debe desactivarse la tensión de alimentación del control $\alpha 2$ y del AL2-2PT-ADP, desmonte los sensores de temperatura y conecte L1- con I1-. L1+ queda sin asignación. Los pasadores L1 - a I1-, L1+ no deben estar conectados.
- 2) Retire la cubierta de los puentes de enchufe y conecte los puentes con los contactos marcados con un „-50 °C“ (vea la siguiente figura).



Precaución

El cable puente debe estar correctamente instalado, de lo contrario puede no producirse un contacto eléctrico ocasional.

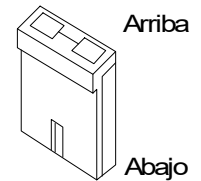
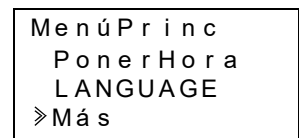


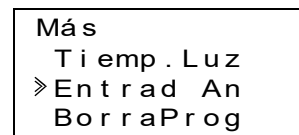
Figura 12.5: Compensación de la desviación en el AL2-2PT-ADP



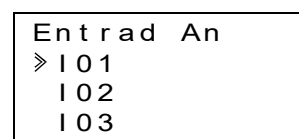
- 3) Active el control y seleccione el menú „Más“ con el PLC detenido.



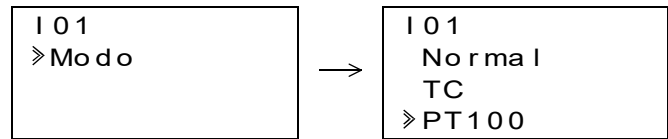
- 4) En el menú „Más“ debe seleccionarse la opción „Entrad An“.



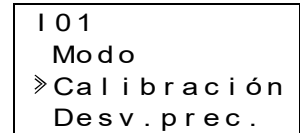
- 5) Seleccione la entrada en la cual se conectó el AL2-2PT-ADP.



- 6) Configure la entrada para la medición de temperatura con el AL2-2PT-ADP seleccionando „Modo“ y luego „PT100“.



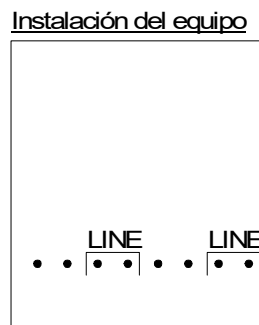
- 7) Después del ajuste del „PT100“ debe seleccionarse „Calibración“ en el menú „Entrad An“.



- 8) Seleccione „-50°C“ en el menú „Calibración“ (vea la figura 12.5). Ahora debe indicarse el mensaje „OK“ en la pantalla. En caso que no sea así, deben seguirse las instrucciones para el diagnóstico de fallas en el Cap. 12.4.7. Con esto se termina la compensación de desviación para el canal 1. Para compensar la desviación para el canal 2, deben repetirse los pasos arriba mencionados, pero ahora debe conectarse L2- con I2- sin conectar nada en el L2+.

Después de la calibración se enchufan los puentes de enchufe en los contactos „LINE“:

Figura 12.6: Posición de los puentes de enchufe después de la calibración



Después de la compensación de la desviación debe compensarse también la amplificación. Este proceso se describe en el siguiente capítulo.

12.4.5 Compensación de la amplificación

Nota

Si se completó el ajuste de desplazamiento, no son necesarios los pasos 3 -4.

- 1) Antes de la calibración de la amplificación del canal 1 debe desactivarse la tensión de alimentación del control $\alpha 2$ y del AL2-2PT-ADP, desembornarse el sensor de temperatura y conectarse el L1- con el I1-. L1+ queda sin asignación. Los pasadores L1 - a I1-, L1+ no deben estar conectados.

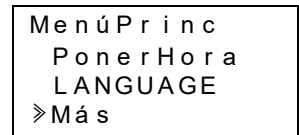
ESP

- 2) Retire la cubierta de los puentes de enchufe y conecte los puentes con los contactos marcados con un „200 °C“, como se indica en la siguiente figura.

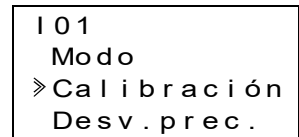
Figura 12.7: Compensación de la amplificación en el AL2-2PT-ADP



- 3) Active el control y seleccione el menú „Más“ con el PLC detenido.



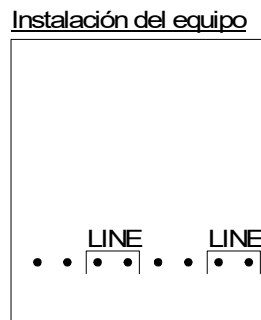
- 4) Después de haber seleccionado el modo PT100 (vea la descripción de la compensación de la desviación) debe seleccionarse „calibración“ en el menú „Entrad An“



- 5) Seleccione „200 °C“ en el menú „calibración“ (vea la figura 12.5). Ahora debe indicarse el mensaje „OK“ en la pantalla. En caso que no sea así, deben seguirse las instrucciones para el diagnóstico de fallas en el Cap. 12.4.7. Con esto se termina la compensación de amplificación para el canal 1. Para compensar la amplificación para el canal 2, deben repetirse los pasos arriba mencionados, pero ahora debe conectarse L2- con I2- sin conectar nada en el L2+.

Después de la calibración se enchufan los puentes de enchufe en los contactos „LINE“:

Figura 12.8: Posición de los puentes de enchufe después de la calibración



En la compensación de la amplificación debe compensarse también la desviación. Este proceso se describe en el capítulo 12.4.4.

12.4.6 Compensación de precisión de la desviación



La compensación de precisión debe ejecutarse solamente después de haber compensado la desviación y la amplificación.

- 1) Seleccione en el menú principal el menú „Más“.

```
MenúPrinc
PonerHora
LANGUAGE
» Más
```

- 2) En el menú „Más“ debe seleccionarse la opción „Entrad An“.

```
Más
Tiemp. Luz
» Entrad An
BorraProg
```

- 3) En el menú „Entrad An“ debe seleccionarse una entrada que se configuró como entrada PT100.

```
Entrad An
I 01
» I 02 : PT100
I 03 : TC
```

- 4) En el menú para el ajuste de las entradas analógicas debe seleccionarse „Desv. prec.“.

```
I 02
Modo
Calibración
» Desv. prec.
```

- 5) Mediante las teclas „+“ y „-“ debe ingresarse un valor entre $-15,5\text{ °C}$ y $15,5\text{ °C}$ ($-27,9\text{ °C}$ a $27,9\text{ °F}$). Después de la entrada debe terminarse la compensación de precisión mediante la pulsación de la tecla „OK“.

```
I 02
Desv. prec.
0.0 °C
```

ESP

12.4.7 Diagnóstico de fallas

En caso que la tensión de entrada sea mayor a 11 V o bien igual a 0 V, se asignan los siguientes bits de sistema:

Tabla 12.8:

Bit de sistema	Descripción	AL2-10MR-D	AL2-14MR-D AL2-24MR-D
M17	0: Sin falla 1: Falla en la entrada I01	✓	✓
M18	0: Sin falla 1: Falla en la entrada I02	✓	✓
M19	0: Sin falla 1: Falla en la entrada I03	✓	✓
M20	0: Sin falla 1: Falla en la entrada I04	✓	✓
M21	0: Sin falla 1: Falla en la entrada I05	✓	✓
M22	0: Sin falla 1: Falla en la entrada I06	✓	✓
M23	0: Sin falla 1: Falla en la entrada I07	—	✓
M24	0: Sin falla 1: Falla en la entrada I08	—	✓

En caso que se haya asignado uno de los bits de sistema arriba mencionados, debe controlarse

- si se encuentra conectado un sensor de temperatura.
- si se interrumpió la línea del sensor de temperatura.
- si la temperatura se encuentra en el rango admitido.
- si el AL2-2PT-ADP se alimenta con tensión.

Si el mensaje "Error" aparece en lugar de "OK" durante la calibración del ajuste (offset)/ ganancia, compruebe que:

- El AL2-2PT-ADP recibe alimentación apropiada.
- El AL2-2PT-ADP está conectado correctamente al $\alpha 2$.
- La entrada que conecta el AL2-2PT-ADP está seleccionada para calibración.
- Las entradas L1- y I1- del AL2-2PT-ADP han sido cortocircuitadas.
- El jumper (puente) está colocado en la posición "-50°C" o la "200°C".
- Está seleccionado el menú de calibración correspondiente a la posición del jumper ("-50°C" o bien "200°C").

13. AL2-2TC-ADP

El módulo adaptador del termoelemento AL2-2TC-ADP transforma la temperatura registrada por un termoelemento del tipo K hacia una tensión de 0 a 10 V para su posterior procesamiento en el aparato base. Mayores informaciones se encuentran en las Instrucciones de Instalación del AL2-2TC-ADP.



Atención

- El cableado eléctrico de los aparatos debe realizarse solamente por personal especialmente cualificado que está familiarizado con los estándares locales y nacionales de seguridad de la técnica de automatización .
- El control $\alpha 2$ no ha sido desarrollado para aplicaciones de mantención de vida o de autosupervisión.
- MITSUBISHI ELECTRIC no asume bajo ninguna circunstancia la responsabilidad o garantía para daños derivados de una instalación o aplicación no apropiadas de los aparatos o sus accesorios.



Precaución de EMC

Se determinó que el módulo analógico de la serie Éø2 de Mitsubishi Electric cumple con las normas y directivas europeas mencionadas. Sin embargo, (para óptimas prestaciones de lo que son mediciones delicadas y equipos de salida de controlador) Mitsubishi Electric pretende marcar los siguientes puntos.

- Como los módulos analógicos son sensibles por naturaleza debe tener cuidado con su uso. Para los usuarios de cables de venta especial (integrados con sensores o impulsores), estos usuarios deben seguir las instrucciones de instalación del fabricante.
- Mitsubishi Electric recomienda el uso de cables blindados. Si NO hay ninguna otra protección EMC, los usuarios pueden sufrir errores temporales que no superan +10%/-10% en áreas muy industrializadas. Sin embargo, Mitsubishi Electric sugiere que si se siguen precauciones EMC adecuadas con prácticas generales EMC buenas para que los usuarios completen el sistema de control, los usuarios deben esperar errores normales según se especifica en cada manual de productos independientes.

13.1 Vista sinóptica

El módulo adaptador del termoelemento AL2-2TC-ADP se aplica para la transformación de temperaturas hacia una tensión de 0 a 10 V. Para la medición de temperatura se utiliza un termoelemento del tipo K. El valor de tensión puede seguir procesándose en el aparato base.

13.1.1 Dimensiones exteriores

Figura 13.1: Dimensiones exteriores

Unidad: mm

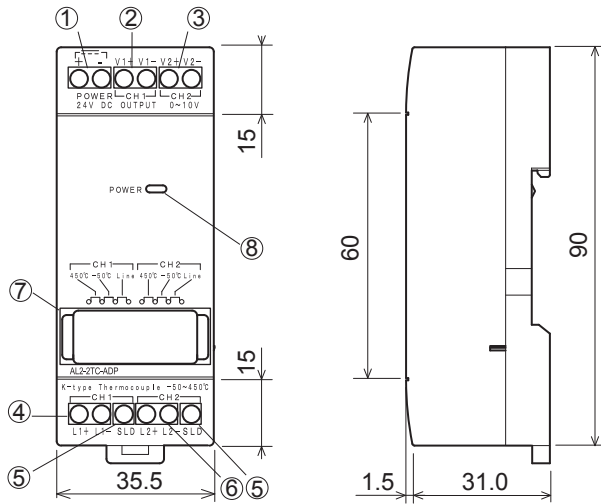
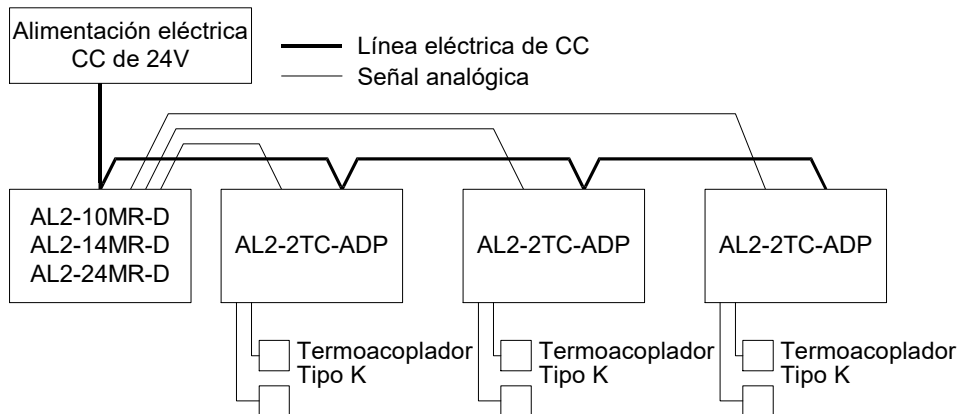


Tabla 13.1:

Item	Description
1	+24 V CC Terminal de entrada
2	Canal 1 Terminal de salida de tensión
3	Canal 2 Terminal de salida de tensión
4	Canal 1: Conexión para termoelemento del tipo K
5	Conexión a masa para el blindaje
6	Canal 2: Conexión para termoelemento del tipo K
7	Puente para la regulación del módulo
8	LED de potencia, indica la disposición de servicio

13.2 Configuración del sistema

Figura 13.2:



Los datos técnicos generales se encuentran en el capítulo 2.

Tabla 13.2: Versiones aplicables

PLC y software de programación	Versión aplicable
α 2-Control (Sólo la versión de CC)	V2.00 o superior
Software VLS	V2.30 o superior



Observación

El AL2-2PT-ADP no puede conectarse en un control α

13.3 Datos técnicos

Tabla 13.3: Datos técnicos generales

Propiedad	Datos técnicos
Temperatura durante la operación	(-25) - 55 °C
Temperatura de almacenamiento	(-30) - 70 °C
Humedad de aire	Humedad de aire relativa de 35 a 85 %, sin condensación
Resistencia de vibración con Montaje en rieles DIN	Corresponde a IEC 68-2-6; 10 – 57 Hz: amplitud constante de 0,075 mm, 57 – 150 Hz: Aceleración de 9,8 m/s ² , ciclo de desviación para X, Y, Z: 10 x (80 min. en cada una de las tres direcciones)
Resistencia a golpes	Corresponde a IEC 68-2-27: Aceleración de 147m/s ² para 11 ms, 3 veces en cada una de las tres direcciones X, Y y Z
Resistencia a tensión parásita	1000 Vpp para 1µs, 30 - 100 Hz, comprobado con simulador de tensión parásita
Rigidez dieléctrica	500 V CA~ durante un minuto entre todos los terminales y el bloque de control DIN43880 o equivalente.
Resistencia del aislamiento	7 MΩ 500 V CC entre todos los terminales y la caja de distribución DIN43880 o equivalente.
Condiciones de entorno	Libre de gases agresivos

Tabla 13.4: Alimentación de corriente

Propiedad	Datos técnicos
Alimentación de tensión	24 V CC (+20 %, -15 %)
Consumo eléctrico máximo	0,5 W

Tabla 13.5: Coincidencia con normas y directrices

Propiedad		Norma/Directriz
Directriz CE	EMC	EN61131-2: 2007
Certificación de UL/cUL		Número de archivo: E95239

ESP

Tabla 13.6: Datos técnicos del hardware

Propiedad	Datos técnicos	
	Grados Celsius (°C)	Grados Fahrenheit (°F)
Sensor de temperatura	Termoelemento aislado del tipo K (IEC 584-1 1977, IEC 584-2 1982)	
Rango compensado	-50 °C - 450 °C	-58 °F - 842 °F
Precisión	±2,0 % (bajo todas las temperaturas) y ±1,5 % con 25 °C	±2,0 % (bajo todas las temperaturas) y ±1,5 % con 77 °F
Resolución	1 °C	
Tiempo de transformación	20,5 mseg.	
Aislamiento	Sin aislamiento entre los canales (entrada/salida) y la alimentación de corriente	
Propiedad de transformación		

Tabla 13.7: Bits de sistema utilizados

Propiedad	Descripción	AL2-10MR-D	AL2-14MR-D AL2-24MR-D	
Bit de sistema	M17	Se aplica en I01 en caso de una falla de sensor	✓	✓
	M18	Se aplica en I02 en caso de una falla de sensor	✓	✓
	M19	Se aplica en I03 en caso de una falla de sensor	✓	✓
	M20	Se aplica en I04 en caso de una falla de sensor	✓	✓
	M21	Se aplica en I05 en caso de una falla de sensor	✓	✓
	M22	Se aplica en I06 en caso de una falla de sensor	✓	✓
	M23	Se aplica en I07 en caso de una falla de sensor	—	✓
	M24	Se aplica en I08 en caso de una falla de sensor	—	✓

13.4 Instalación y cableado

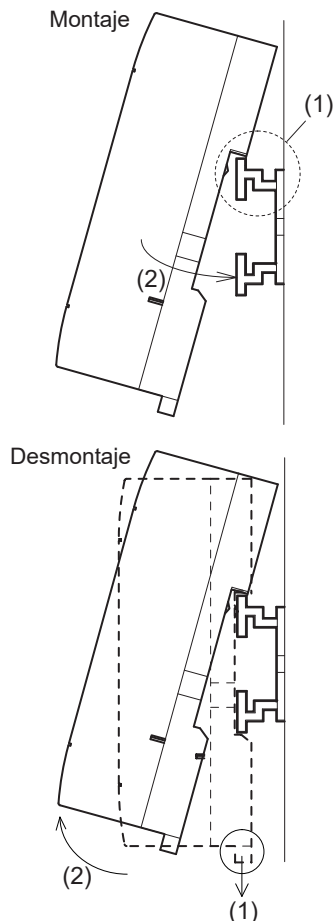
13.4.1 Instalación



Atención

- Los aparatos no debe exponerse a las siguientes condiciones de entorno: Entornos con un alto nivel de polvos conductores, corrosión, gases inflamables, alto nivel de humedad de aire, lluvia, insolación directa, altas temperaturas, fuertes ondas de choques y vibraciones.
- Las conexiones deben estar cubiertas para evitar el contacto con piezas con energía aplicada.
- El control $\alpha 2$ y el AL2-2TC-ADP deben instalarse en un armario de distribución según DIN 43880 o bien en una caja de control. El AL2-2TC-ADP debe protegerse de los cuerpos extraños mediante una cubierta.
- Para la refrigeración debe mantenerse una distancia de 10 mm entre la parte superior e inferior del AL2-2TC-ADP y los demás aparatos.
- La máxima distancia entre el controlador de la serie $\alpha 2$ y el AL2-2TC-ADP debe ser de 3 m o menos.
- El cable eléctrico debe tener un largo de menos de 10m.
- Debe utilizar un sensor con aislación con régimen de 500V o más cuando se instala el sensor cerca de un material conductor.

Figura 13.3: Instalación



El módulo puede montarse sobre un riel DIN (35 mm, DIN EN 50022). Para el desmontaje debe retirarse el pasador previsto con un resorte para extraer luego el módulo del riel.

1) Montaje

Coloque el AL2-2TC-ADP con la parte superior sobre el riel DIN (1) y empuje el módulo sobre el riel (2).

2) Desmontaje

Extraiga el pasador hacia abajo (1) y retire el AL2-2TC-ADP.

ESP

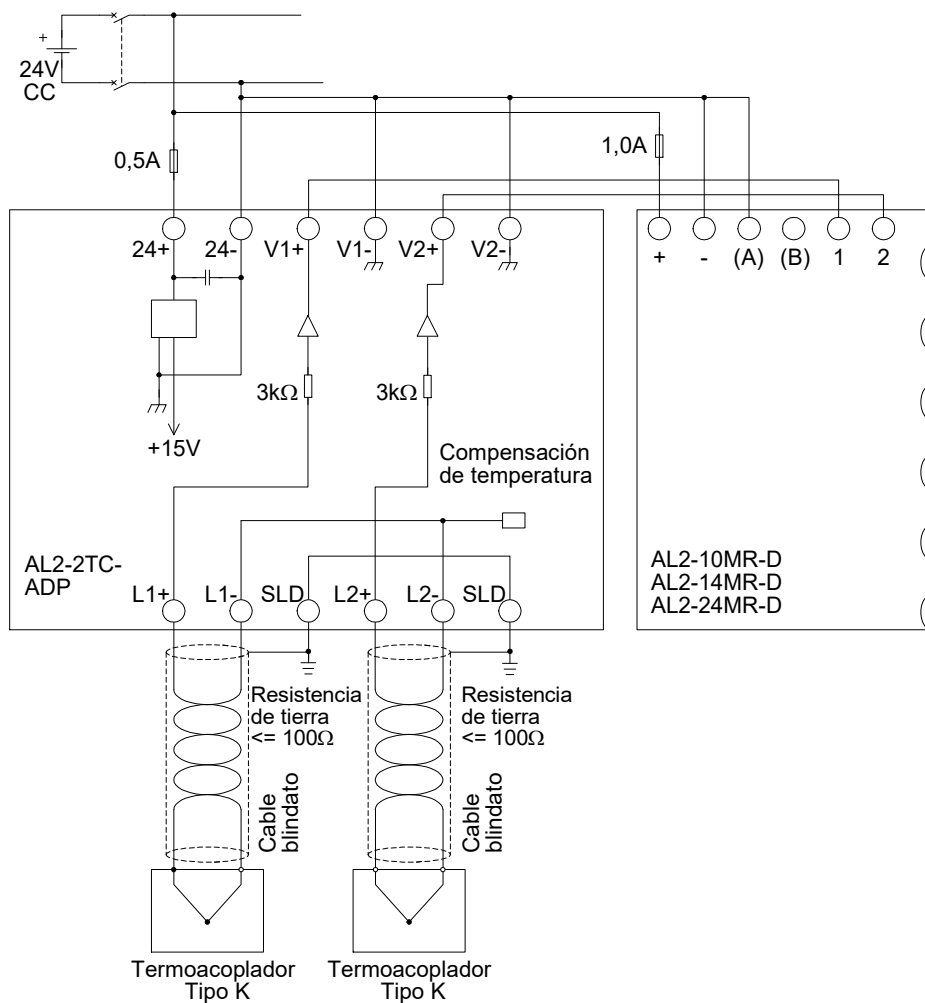
13.4.2 Cableado



Atención

- Utilice una alimentación eléctrica aislada y desconecte la alimentación antes de cualquier operación de cableado.
- Las señales de entrada y salida no deben guiarse por el mismo cable o bien el mismo arnés de cables.
- La longitud de las líneas para las señales de entrada (del sensor al AL2-2TC-ADP) no debe sobrepasar 10 m, en caso de las líneas para las señales de salida no deben sobrepasarse los 3 m.
- Para la conexión de las líneas deben utilizarse alambres rígidos o flexibles (para engarzado a presión) que están cuidadosamente torcidos. No conecte alambres flexibles con extremos soldados en el AL2-2TC-ADP.
- Para evitar un daño en los alambres, deben apretarse los tornillos de apriete con un torque de 0,5 a 0,6 Nm.
- Antes de realizar el cableado para el ajuste de la desviación y amplificación en el AL2-2TC-ADP debe desactivarse la tensión de alimentación.

Figura 13.4:



13.4.3 Selección de una unidad de medida para la temperatura

- 1) Active la tensión de alimentación del control $\alpha 2$ y seleccione en el menú principal la opción „Más“.

```
MenúPrinc
PonerHora
LANGUAGE
» Más
```

- 2) En el menú „Más“ debe seleccionarse la opción „Entrad An“.

```
Más
Com. Serie
Tiemp. Luz
» Entrad An
```

- 3) En el menú „Entrad An“ debe seleccionarse „Esc. temp.“

```
Entrad An
I 07
I 08
» Esc. temp.
```

- 4) Seleccione entre „Celsius“ y “Fahrenheit“ mediante la tecla OK

```
Entrad An
Esc. temp.
» Celsius
Fahrenheit
```



La unidad de medida puede modificarse sólo conjuntamente para ambos canales.



Los valores en el menú de calibración se indican en Grados Celsius independientemente de la unidad de medida seleccionada, ya que los contactos para los puentes de enchufe del AL2-2TC-ADP están rotulados con esta unidad.

13.4.4 Compensación de la desviación



Nota

Si se completó el ajuste de ganancia, no son necesarios los pasos 3 - 7.

- 1) Antes de la calibración del canal 1 debe desactivarse la tensión de alimentación del control $\alpha 2$ y del AL2-2TC-ADP y desembornarse el termoelemento. Las conexiones L1-, L1+ y SLD quedan libres.
- 2) Retire la cubierta de los puentes de enchufe y conecte los puentes con los contactos marcados con un „-50 °C“ (vea la siguiente figura).



Precaución

El cable puente debe estar correctamente instalado, de lo contrario puede no producirse un contacto eléctrico ocasional.

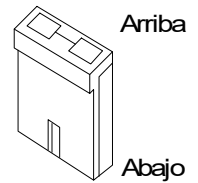
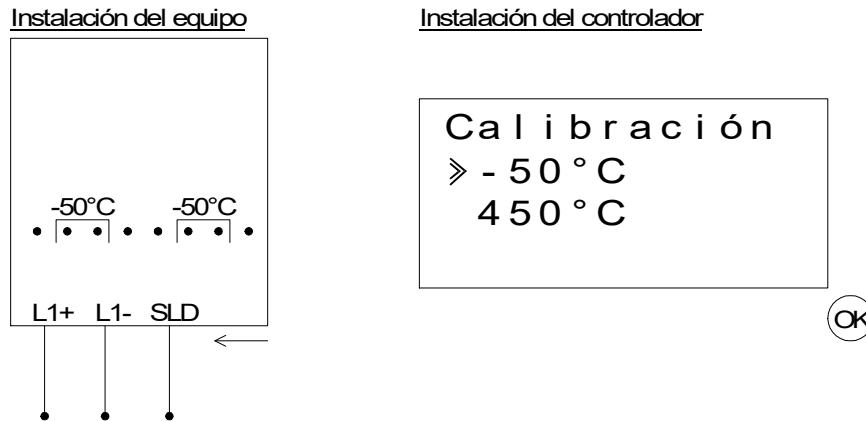
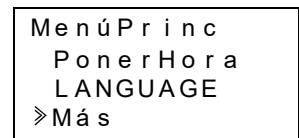


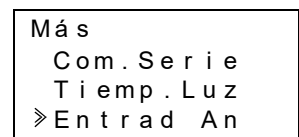
Figura 13.5: Compensación de la desviación en el AL2-2TC-ADP



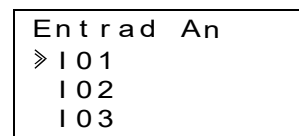
- 3) Active el control y seleccione el menú „Más“ con el PLC detenido.



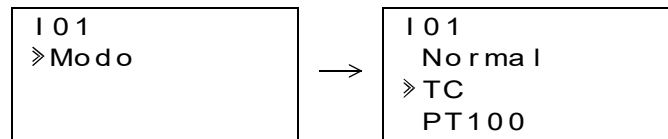
- 4) En el menú „Más“ debe seleccionarse la opción „Entrad An“.



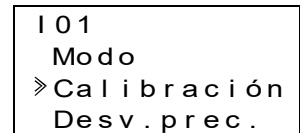
- 5) Seleccione la entrada en la cual se conectó el AL2-2TC-ADP.



- 6) Configure la entrada para la detección de temperatura con el modulo AL2-2Tc-ADP seleccionando "Modo" y seleccionando "TC" en la siguiente pantalla



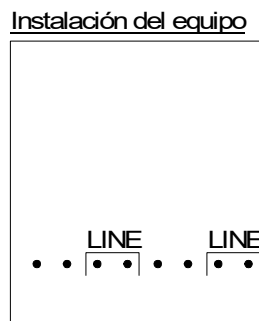
- 7) Después del ajuste del „PT100“ debe seleccionarse „Calibración“ en el menú „Entrad An“.



- 8) Seleccione „-50°C“ en el menú „Calibración“ (vea la figura 13.5). Ahora debe indicarse el mensaje „OK“ en la pantalla. En caso que no sea así, deben seguirse las instrucciones para el diagnóstico de fallas en el Cap. 13.4.7. Con esto se termina la compensación de desviación para el canal 1. Para compensar la desviación para el canal 2, deben repetirse los pasos arriba mencionados, pero ahora debe dejarse libres las conexiones L2, L2+ y SLD.

Después de la calibración se enchufan los puentes de enchufe en los contactos „LINE“:

Figura 13.6: Posición de los puentes de enchufe después de la calibración



Después de la compensación de la desviación debe compensarse también la amplificación. Este proceso se describe en el siguiente capítulo.

13.4.5 Compensación de la amplificación

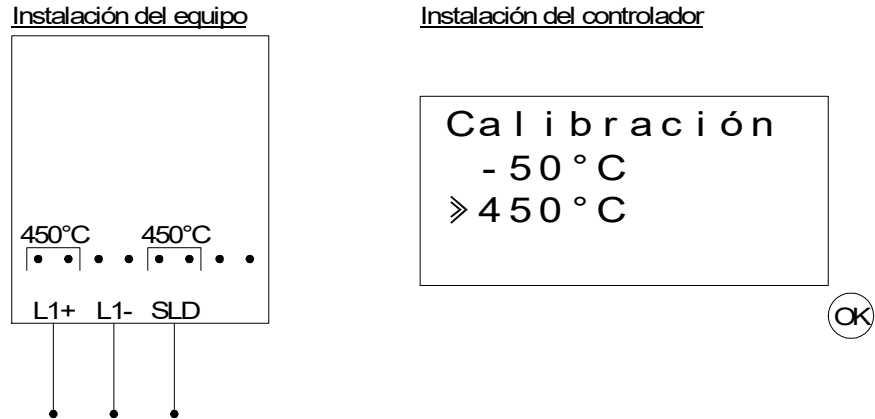
Nota

Si se completó el ajuste de desplazamiento, no son necesarios los pasos 3 - 4.

- 1) Antes de la calibración del canal 1 debe desactivarse la tensión de alimentación del control $\alpha 2$ y del AL2-2TC-ADP y desembornarse el termoelemento. Las conexiones L1-, L1+ y SLD quedan libres.

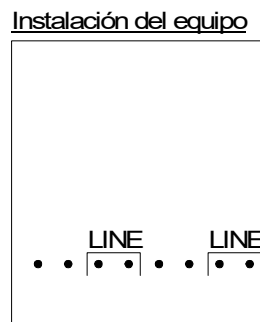
- 2) Retire la cubierta de los puentes de enchufe y conecte los puentes con los contactos marcados con un „450 °C“, como se indica en la siguiente figura.

Figura 13.7: Compensación de la amplificación en el AL2-2TC-ADP



- 3) Active el control y seleccione el menú „Más“ con el PLC detenido.
- 4) Después de haber seleccionado el modo del termoelemento (TC) (vea la descripción de la compensación de desviación) debe seleccionarse „Calibración“ en el menú „Entrad An“
- 5) Seleccione „450 °C“ en el menú „Calibración“ (vea la figura 13.7). Ahora debe indicarse el mensaje „OK“ en la pantalla. En caso que no sea así, deben seguirse las instrucciones para el diagnóstico de fallas en el Cap. 13.4.7. Con esto se termina la compensación de amplificación para el canal 1. Para ajustar la amplificación para el canal 2, deben repetirse los pasos arriba mencionados, pero ahora deben dejarse libres las conexiones L2, L2+ y SLD.
- Después de la calibración se enchufan los puentes de enchufe en los contactos „LINE“:

Figura 13.8: Posición de los puentes de enchufe después de la calibración



En la compensación de la amplificación debe compensarse también la desviación. Este proceso se describe en el capítulo 13.4.4.

13.4.6 Compensación de precisión de la desviación



La compensación de precisión debe ejecutarse solamente después de haber compensado la desviación y la amplificación.

- 1) Seleccione en el menú principal el menú „Más“.

```
MenúPrinc
PonerHora
LANGUAGE
» Más
```

- 2) En el menú „Más“ debe seleccionarse la opción „Entrad An“.

```
Más
Com. Serie
Tiemp. Luz
» Entrad An
```

- 3) En el menú „Entrad An“ debe seleccionarse una entrada que se configuró como entrada PT100.

```
Entrad An
I 01
I 02 : PT100
» I 03 : TC
```

- 4) En el menú para el ajuste de las entradas analógicas debe seleccionarse „Desv. prec.“

```
I 03
Modo
Calibración
» Desv. prec.
```

- 5) Mediante las teclas „+“ y „-“ debe ingresarse un valor entre -31 °C y 31 °C (-55,8 °F a 55,8 °F). Después de la entrada debe terminarse la compensación de precisión mediante la pulsación de la tecla „OK“.

```
I 03
Desv. prec.
0 °C
```

ESP

13.4.7 Diagnóstico de fallas

En caso que la tensión de entrada sea mayor a 11 V o bien igual a 0 V, se asignan los siguientes bits de sistema:

Tabla 13.8:

Bit de sistema	Descripción	AL2-10MR-D	AL2-14MR-D AL2-24MR-D
M17	0: Sin falla 1: Falla en la entrada I01	✓	✓
M18	0: Sin falla 1: Falla en la entrada I02	✓	✓
M19	0: Sin falla 1: Falla en la entrada I03	✓	✓
M20	0: Sin falla 1: Falla en la entrada I04	✓	✓
M21	0: Sin falla 1: Falla en la entrada I05	✓	✓
M22	0: Sin falla 1: Falla en la entrada I06	✓	✓
M23	0: Sin falla 1: Falla en la entrada I07	—	✓
M24	0: Sin falla 1: Falla en la entrada I08	—	✓

En caso que se haya asignado uno de los bits de sistema arriba mencionados, debe controlarse

- si se encuentra conectado un sensor de temperatura.
- si se interrumpió la línea del sensor de temperatura.
- si la temperatura se encuentra en el rango admitido
- si el AL2-2TC-ADP se alimenta con tensión.

Si el mensaje "Error" aparece en lugar de "OK" durante la calibración del ajuste offset/ganancia , compruebe que:

- El AL2-2TC-ADP recibe alimentación apropiada.
- El AL2-2TC-ADP está conectado correctamente al $\alpha 2$.
- La entrada que conecta el AL2-2TC-ADP está seleccionada para calibración.
- Las entradas del AL2-2TC-ADP están sin conectar.
- Los jumpers (puentes) en AL2-2TC-ADP están puestos en la posición "-50°C" o bien en la posición "450°C".
- Está seleccionado el menú de calibración correspondiente a la posición del jumper ("-50°C" o bien "450°C").

14. Listas de teclas, bits de sistema y bloques de función

14.1 Listas de teclas

La siguiente tabla muestra las teclas de operación a usar en el menú y el programa de usuario. En el Manual de Programación $\alpha 2$ pueden encontrarse informaciones adicionales..

Tabla 14.1: Listas de teclas de operación

Key Name	Número de tecla	Función principal de la tecla
OK	K01	confirmación de datos ingresados, opciones de menú, selección de programass
ESC	K02	cancelación de la operación actual, pasar a pantalla o menú inmediatos superiores
+	K03	conectarse con bloques de función, pasar a bloques numerados inmediatos superiores, incremento de valores
-	K04	desconectarse de bloques de función, pasar a bloques numerados inmediatos inferiores, decremento de valores
▲	K05	esplazamiento hacia ítems numerados inmediatos superiores (teclas, FB, entradas, salidas, etc.)
▼	K06	desplazamiento hacia ítems numerados inmediatos inferiores (teclas, FB, entradas, salidas, etc.)
▶	K07	desplazamiento a la derecha de la visualización LCD, programa FB o comando de Salto
◀	K08	desplazamiento a la izquierda de la visualización LCD, programa FB o comando de Salto

14.2 Listas de bits de sistema

Existe un bit de sistema controlado por el sistema y el bit de control que se controla a través del programa de usuario.

14.2.1 Listas de bit de sistema

Tabla 14.2: Listas de bit de sistema

Bit de sistema	Descripción	AL2-10MR-*	AL2-14MR- AL2-24MR-*
M01	Siempre "ON" (conectado)	✓	✓
M02	Siempre "OFF" (desconectado)	✓	✓
M03	Alternadamente – 0,5 segundos "ON" (conectado), 0,5 segundos "OFF" (desconectado)	✓	✓
M04	"ON" (conectado) siempre y cuando ocurra un error de datos del reloj de tiempo real	✓	✓
M05	"ON" (conectado) siempre y cuando se encuentre activado el calendario de hora de verano	✓	✓
M06	"ON" (conectado) cuando ocurre un error de comunicación de la interfaz AS	—	✓
M07	"ON" (conectado) cuando ocurre un error de comunicación a causa de una falla de energía de la interfaz AS	—	✓
M08	(conectado) cuando el modo Parada conectado conmuta al modo Funcionamiento en el sistema $\alpha 2$. La señal ON (conectado) actúa como salida de impulso y después se desconecta.	✓	✓
M09	OFF (desconectado) cuando el modo Parada conectado conmuta al modo Funcionamiento en el sistema $\alpha 2$. La señal OFF (desconectado) actúa como una salida de impulso y después se conecta.	✓	✓
M10	"ON" (conectado) durante la decodificación de las señales DCF77	✓	✓
M11	"ON" (conectado) Impulso después de la decodificación correcta de las señales DCF77	✓	✓
M12	"ON" (conectado) cuando la señal CD (DCD) está ON (conectada) (recibiendo la señal CD desde el módem)	—	✓
M13	"ON" (conectado) cuando es posible acceder a la red GSM	—	✓
M14	"ON" cuando la serie $\alpha 2$ se accesa vía GSM.	—	✓
M15	"ON" (conectado) cuando se presentó una falla durante la decodificación de las señales DCF77	✓	✓
M16	"ON" (conectado) cuando se encuentra activada la tensión de alimentación externa para el AL2-2DA.	—	✓
M17	"ON" (conectado) cuando hay una falla del sensor en el I01	✓	✓
M18	"ON" (conectado) cuando hay una falla del sensor en el I02	✓	✓
M19	"ON" (conectado) cuando hay una falla del sensor en el I03	✓	✓
M20	"ON" (conectado) cuando hay una falla del sensor en el I04	✓	✓
M21	"ON" (conectado) cuando hay una falla del sensor en el I05	✓	✓
M22	"ON" (conectado) cuando hay una falla del sensor en el I06	✓	✓
M23	"ON" (conectado) cuando hay una falla del sensor en el I07	—	✓
M24	"ON" (conectado) cuando hay una falla del sensor en el I08	—	✓

14.2.2 Lista de bit de control

Tabla 14.3: Bits de control

Bit de control	Description	AL2-10MR-*	AL2-14MR- AL2-24MR-*
N01	ON: Desconectado de la red de interfaz AS. OFF: Conecta a la red de interfaz AS.	—	✓
N02*1	ON: La luz de fondo del visualizador de cristal líquido está "OFF" (desconectada). OFF: La luz de fondo está controlada por el valor programado para "Tiempo de Luz" en el menú.	✓	✓
N03*1	ON: La luz de fondo del visualizador de cristal líquido está "ON" (conectada). OFF: La luz de fondo es controlada por el valor programado para "tiempo de Luz" en el menú.	✓	✓
N04	ON: La pantalla de usuario es controlada por la programación del "Administrador de Visualizador" mediante ALPCS/WIN-E. OFF: La pantalla de usuario es controlada por el programa de usuario.	✓	✓

*1 Cuando N02 y N03 están en "ON" y la luz de fondo también está en "ON", ya que se otorga la prioridad al N03.

14.3 Listas de bloque de función

En el Manual de Programación de la serie $\alpha 2$ pueden encontrarse informaciones adicionales..

Tabla 14.4: Listas de bloque de función

Bloque de función		Consumo de memoria (Byte)	Descripción	AL2-10MR-*	AL2-14MR- AL2-24MR-*
Nombre	Símbolo				
AND	AND	19	Salida ON (conectada) cuando todas las entradas están ON (conectadas), las salidas no usadas se consideran ON (conectadas)	✓	✓
OR	OR	19	Salida ON (conectada) cuando al menos una salida está ON (conectada), las salidas no usadas se consideran OFF (desconectadas)	✓	✓
NOT	NOT	10	Invierte una señal; cambia un OFF (desconectado) a un ON (conectado) y viceversa	✓	✓
XOR	XOR	13	O exclusivo; Salida ON (conectada) cuando sólo una de dos entradas está ON (conectada)	✓	✓
NAND	NAND	19	No Y; Salida OFF (desconectada) sólo cuando todas las entradas están ON (conectadas), las entradas no usadas se consideran ON (conectadas)	✓	✓
NOR	NOR	19	No O; Salida OFF (desconectada) cuando al menos una entrada está ON (conectada), las entradas no usadas se consideran OFF (desconectadas)	✓	✓
Boolean	BL	*1	Ecuación lógica que usa AND, OR, XOR, NOT	✓	✓
Set/Reset	SR	14	Al mantener un relé en la posición SET o RESET, se entrega la prioridad a SET o RESET.	✓	✓
Impulso	PL	10	Emite un impulso en el margen de ascenso, descenso o en ambos márgenes	✓	✓
Alternativo	AL	13	La salida se alterna entre ON (conectado) y OFF (desconectado) con cada pulso de entrada.	✓	✓
Delay	DL	19	Retarda una señal en el margen de ascenso, descenso o en ambos márgenes	✓	✓
Disparo único	OS	17	Emite un impulso único, basado en la señal de tiempo o entrada, polo Reset disponible	✓	✓
Flicker	FL	19	Emite una serie de impulsos; tiempos de ON/OFF (conectado/desconectado), repeticiones, duración o operación continua	✓	✓
Interruptor de tiempo	TS	*2	Usa el RTC para conmutar la salida ON/OFF (conectada/desconectada); calendario o agenda semanal.	✓	✓

Tabla 14.4: Listas de bloque de función

Bloque de función		Consumo de memoria (Byte)	Descripción	AL2-10MR-*	AL2-14MR-*/AL2-24MR-*
Nombre	Símbolo				
Mantenimiento del interruptor de tiempo	TSm	*2	Usa el RTC para conmutar la salida ON/OFF (conectada/desconectada); calendario o agenda semanal. El bloque funcional se puede configurar en el menú principal "Parámetros" mediante las teclas del panel de mando.	✓	✓
Contador	CN	16	Cuenta hacia delante por impulsos, puede reponerse con una señal	✓	✓
Contador hacia delante/atrás	UD	22	Cuenta hacia delante o atrás, programa un valor predeterminado para la salida que se pondrá en ON (conectada)	✓	✓
Compare	CP	17	Compara dos valores para <, >, =, <=, >=, <> (Analogico, Programación Directa, o valores FB)	✓	✓
Amplificación de desviación	OG	22	Manipula los valores analógicos; $y = A/B \cdot x + C$; Programa los valores de Límite Superior y Límite Inferior	✓	✓
Visualizador	DP	*3	Visualizador Pantalla de usuario (mensajes o datos) en el visualizador de cristal líquido	✓	✓
Comparación por zonas	ZC	20	Compara un valor con un rango de valores (valores (Analogicos, Programados Directos o FB)	✓	✓
Disparador Schmitt	ST	19	Conecta una entrada en el Valor Alto y la desconecta en el Valor Bajo (o vice versa)	✓	✓
Contador de horas	HM	19	Memoriza el tiempo acumulado en que una señal ha estado ON (conectada)	✓	✓
Detección de velocidad	SPD	25	La frecuencia de entrada de señal (On/Off [conectado/desconectado]) se mide por un tiempo de largo determinado. La frecuencia se compara con un rango de valores y la salida se conecta/desconecta conforme al resultado.	✓	✓
Modulación de ancho del impulso	PWM	16	Cuando este bloque de función está activo, se emite una serie continua de impulsos. Las características del impulso se definen como Utilización del impulso (programación Directa, Analógica, valores FB), duración del ciclo.	✓	✓
Alternativo retenido	RAL	13	La salida se alterna entre ON (conectado) y OFF (desconectado) con cada pulso de entrada. Se retiene el último estado de salida cuando el suministro de energía se desconecta y conecta. Sin embargo, el último estado de salida se pierde cuando la serie $\alpha 2$ se coloca en el modo de Parada.	✓	✓
Adición	ADD	20	$y = A + B$	✓	✓

Tabla 14.4: Listas de bloque de función

Bloque de función		Consumo de memoria (Byte)	Descripción	AL2-10MR-*	AL2-14MR- AL2-24MR-*
Nombre	Símbolo				
Sustracción	SUB	20	$y = A - B$	✓	✓
Multiplicación	MUL	20	$y = A \times B$	✓	✓
División	DIV	20	$A \div B = q, r$ (cociente y resto)	✓	✓
Cálculo	CAL	*4	Ecuaciones que usan +, -, ×, ? % y los datos seleccionados.	✓	✓
Shift	SFT	19	Operación Desplazamiento; cuando se ingresa la señal "SFT", se edita el último estado de señal "I". Cuando se usa la operación desplazamiento de 8 bits, el bloque de función "Shift" (desplazamiento) deberá prolongarse 8 veces.	✓	✓
GSM SMS	SMS	*5	Se transmite el contenido de la pantalla de cristal líquido como mensaje SMS.	—	✓
Recepción de mensajes breves	SMR	*7	Cambio de salida mediante mensaje breve	—	✓
Mantenimiento del recepción de mensajes breves	SMRm	*7	Cambio de salida mediante mensaje breve El bloque funcional se puede configurar en el menú principal "Parámetros" mediante las teclas del panel de mando.	—	✓
Detección de llamada	CD	30	Detección de número telefónico mediante identificación de llamada (CLIP)	—	✓
Mantenimiento del detección de llamada	CDm	30	Detección de número telefónico mediante identificación de llamada (CLIP) El bloque funcional se puede configurar en el menú principal "Parámetros" mediante las teclas del panel de mando.	—	✓
Disparo único casual	ROS	19	Emite el impulso único de largo casual.	✓	✓
Disparo único retardado	DOS	20	Emite un impulso único después de un tiempo de retardo	✓	✓
Alternación retardada	DAL	16	Con cada impulso de entrada, la salida alterna entre ON o OFF después de un tiempo de retardo	✓	✓

Tabla 14.4: Listas de bloque de función

Bloque de función		Consumo de memoria (Byte)	Descripción	AL2-10MR-*	AL2-14MR-*/AL2-24MR-*
Nombre	Símbolo				
Set/Reset retenido	RSR	14	Al mantener un relé en la posición SET o RESET, se entrega la prioridad a SET o RESET. Se retiene el último estado de salida cuando el suministro de energía se desconecta y se conecta. Sin embargo, el último estado de salida se pierde cuando la serie $\alpha 2$ se coloca en el modo de Parada.	✓	✓
Regulación PID	PID	52	El bloque de función PID es la implementación $\alpha 2$ de PID, un método de control utilizado para obtener un control estable en una variable de sistema. Está equipado con una función de afinación automática que ajusta automáticamente los parámetros de bloqueo de función para la aplicación específica.	✓	✓
Salida analógica	AO	17	La función de salida analógica toma una entrada de valor digital y ofrece un valor o corriente analógica correspondiente a un canal seleccionado en el módulo AL2-2DA.	✓	✓
Visualizador de control	CDP	*6	Controla cuál de las pantallas de visualización aparece en el visualizador de cristal líquido. Este bloque de función sólo se puede programar con el software AL-PCS/WIN-E. Cuando el bit de control N04 está ON (conectado), es posible controlar la pantalla de usuario visualizada.	✓	✓
Conexión	_B	10	Este bloque de función CONEXIÓN en un FB interno se usa para mostrar la memoria utilizada por los bits del sistema, los bits para la interfaz AS y las teclas de operación. No aparece ningún bloque de función en pantalla ni se muestra tal como en el cuadro de diálogo "Tratamiento de configuración de memoria"; la finalidad es sólo el calcular la memoria que está usada por los bits de la lista más arriba.	✓	✓
Salidas de SISTEMA	Out	10	Controla el dispositivo externo a través de relés y transistores.	✓	✓

- *1 Número de bytes usado = $19 + 1 \times$ (caracteres en la ecuación)
- *2 Número de bytes usados = $8 + 4 \times$ (número de interruptores de tiempo)
- *3 Número de bytes usados depende del ítem visualizado..

Tabla 14.5: Ítem visualizado y número de bytes usados

Ítem visualizado		Número de bytes, serie $\alpha 2$
Caracteres		$16 + 1 \times$ (Cada carácter visualizado)
Analogico, valor FB	valor	17
	Gráfico	23
Hora, Fecha		14
Interruptor de tiempo		17

- *4 Número de bytes usados = $30 + 1 \times$ (caracteres en la ecuación)
- *5 Número de bytes usados = $12 + 1 \times$ (Caracteres en dirección de correo electrónico)
- *6 Número de bytes usados = $32 + 3 \times$ (Número de pantalla)
- *7 Número de bytes empleados = $37 +$ (número de caracteres del comando de setup)

15. Diagnósticos



Advertencia

- No toque el terminal mientras está energizado. Esto podría causar el malfuncionamiento del equipo o un golpe eléctrico.



Advertencia

- Suministre la energía nominal correcta..
Este producto se podría dañar o causar un incendio cuando el suministro de energía es diferente al valor nominal.
- Cuando coloque los cables del suministro de corriente alterna, conecte correctamente "L (Cargado)" del suministro de energía al "terminal L" de la unidad principal y conecte "N (Neutral)" al "terminal N" de la unidad principal.
Una eventual conexión errónea causará un golpe eléctrico, daños en el controlador o un incendio.
- Conecte el cable "L (Cargado)" de la fuente de poder al terminal de entrada de la unidad de CA.
- Cuando coloque los cables la unidad de corriente directa, conecte el polo "+" de la fuente de poder al "terminal +" de la unidad principal y conecte el polo "-" de la fuente de poder al "terminal -".
Una eventual conexión errónea causará un golpe eléctrico, daños en el controlador o un incendio.



Notas sobre el uso

- El controlador de la serie $\alpha 2$ debe usarse con cada casete de memoria, cable de comunicación o cubierta de conector instalado. De lo contrario, el zócalo expuesto puede causar daños al controlador o un choque eléctrico al operador.
- Use el puerto de expansión o la cubierta del conector durante el suministro de energía al controlador de la serie $\alpha 2$.
La instalación inapropiada del equipo puede causar daños en el controlador o un golpe eléctrico.

ESP

15.1 IError de estado de entrada

Coloque el controlador $\alpha 2$ en el modo Parada. Conecte la energía al equipo que está conectado a los terminales de entrada y compruebe si se visualiza correctamente el estado de entrada. Si no se visualiza correctamente, revise los siguientes puntos.

En el Manual de programación $\alpha 2$ pueden encontrarse informaciones adicionales sobre la visualización de estado.



Notas sobre el uso

No conecte alambres con un extremo soldado a los terminales de los sistemas $\alpha 2$. El contacto sería insuficiente y existe la posibilidad que el alambre se corte.

- 1) Verifique el cableado para la fuente de poder y las entradas.
- 2) Verifique si el equipamiento usado para las entradas corresponde a las especificaciones en la sección 2.3 de este manual.

15.2 Error de estado de salida

Coloque el controlador $\alpha 2$ en modo Parada. Fuerce las salidas ON/OFF (conectada / desconectada) y verifique el funcionamiento de las salidas. Verifique que el programa fue escrito para realizar los resultados deseados.

En el Manual de programación $\alpha 2$ pueden encontrarse informaciones adicionales sobre la operación ON/OFF (conectada / desconectada) forzada.



Notas sobre el uso

Ejecute las operaciones ON/OFF forzadas sólo después de haber verificado detalladamente que es seguro hacerlo. Si se ejecutan inapropiadamente las operaciones ON/OFF forzadas, se podrían producir daños en la máquina o el controlador o problemas de seguridad.

Si no se toman las precauciones apropiadas, podrían ocurrir daños en el equipamiento o fallas de la máquina.

- 1) Verifique el cableado para la fuente de poder y las salidas.
- 2) Verifique si el equipamiento usado para las salidas corresponde a las especificaciones en la sección 4.4 de este manual.

15.3 EI MENÚ PRINCIPAL no se visualiza

Para acceder al Menú principal, se ha de operar la tecla de menú. Presione las teclas "OK" y "ESC" al mismo tiempo. Si la tecla para seleccionar el menú no está programada, use el software del programa para el modo de Parada o haga la operación de Parada forzada.

No se puede acceder al menú Principal a través de las teclas. No obstante, el menú principal aparecerá mediante la conexión de la fuente de poder y presionando simultáneamente las teclas "OK + ESC" durante la energización.



Advertencia

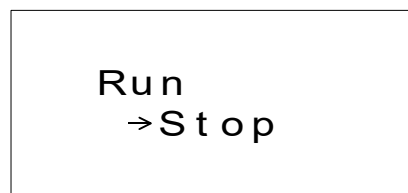
Ejecute la operación de parada forzada sólo después de haber verificado detalladamente que es seguro hacerlo. Si se ejecutan inapropiadamente las operaciones ON/OFF forzadas, se podrían producir daños en la máquina o el controlador, o problemas de seguridad.

Si no se toman las precauciones apropiadas, podrían ocurrir daños en el equipamiento o fallas de la máquina.

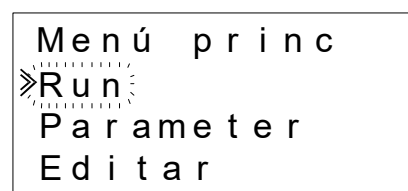
Operación de parada forzada

- 1) Desconecte el suministro de energía de la serie $\alpha 2$.
- 2) Vuelva a conectar el suministro de energía y presione las teclas "OK" y "ESC" simultáneamente.
Se visualiza la pantalla que se muestra a la derecha..

La opción para colocar el controlador en modo Parada estará disponible durante aproximadamente cinco segundos. Presione la tecla "OK" para ingresar el modo Parada. Si no se presiona ninguna tecla, el controlador regresará por defecto al modo de Funcionamiento.



- 3) Presione la tecla "ESC".
Se visualiza el "Menú Princ" que se muestra a la derecha..



ESP

15.4 No se puede ingresar al modo Funcionamiento

Cuando el sistema $\alpha 2$ no conmuta al modo Funcionamiento, verifique lo siguiente.

- 1) Se visualiza en pantalla el mensaje "Entrada Error" o "Salida Error".
El programa incluido en la casete de memoria tiene más puntos de entrada y/o salida que los admitidos en el cuerpo del controlador.
 - a) Al crear el programa mediante el software de programación.
El software de programación verifica el contenido del programa y el modelo.
Escriba el programa en el controlador del sistema $\alpha 2$ y no usa una casete de memoria.
 - b) Al crear el programa con las teclas del panel frontal del sistema $\alpha 2$
Retire la casete de memoria y vuelva a crear el programa.
 - c) Instale la casete de memoria en el modelo de 24 puntos del sistema $\alpha 2$.
 - d) Escriba el programa en otro sistema $\alpha 2$ que sea del mismo modelo que él en donde se usará el programa.
- 2) Hay un error en los datos del programa.
Si no se puede visualizar el programa con "Editar" en el "Menu princ", es posible que los datos del programa fueron dañados. Cámbiese del "Menu princ" al modo Funcionamiento después de haber borrado el programa.
 - a) Vuelva a crear el programa y cámbiese al modo Funcionamiento.
 - b) Consultar un distribuidor de Mitsubishi cuando no pueda conmutarse al modo RUN.

15.5 Datos del reloj incorrectos

Confirme el siguiente ítem.

- 1) Se perdieron los datos del reloj.
Después de aproximadamente 20 días sin suministro de energía, o si el sistema $\alpha 2$ está expuesto a temperaturas mayores de 25°C, se perderán los datos del reloj. En este caso se ha de volver a programar los datos del reloj.
En el Manual de programación $\alpha 2$ pueden encontrarse informaciones adicionales sobre la programación del reloj.
- 2) El horario puede presentar leves divergencias.
La exactitud de los datos de hora es de ± 5 segundos por día. Si aumenta el error en los datos de hora, use la función de corrección.
En el Manual de programación $\alpha 2$ pueden encontrarse informaciones adicionales sobre la programación de la función de corrección.

15.6 En el visualizador aparece "?"

El signo "?" se visualiza cuando se presiona una tecla que es inaceptable según los datos de la pantalla. Confirme las opciones aceptables y presione la tecla apropiada..



15.7 No se puede usar una tecla de operación

Si el sistema $\alpha 2$ no acepta una operación a través del teclado, verifique la movilidad de las teclas de operación de acuerdo con los siguientes procedimientos. Si se pueden ejecutar los pasos expuestos en las instrucciones (1) - (5) siguientes, las teclas funcionan correctamente. Verifique si se utilizan la(s) tecla(s) en el programa.

- 1) Coloque el controlador en modo Parada. Si no puede ingresar al modo Parada, consulte al distribuidor de Mitsubishi.



Advertencia

Ejecute la operación de parada forzada sólo después de haber verificado detalladamente que es seguro hacerlo. Si se ejecutan inapropiadamente las operaciones ON/OFF forzadas, se podrían producir daños en la máquina o el controlador, o problemas de seguridad.

Si no se toman las precauciones apropiadas, podrían ocurrir daños en el equipamiento o fallas de la máquina.

Operación de parada forzada

- a) Desconecte el suministro de energía de la serie $\alpha 2$.
- b) Vuelva a conectar el suministro de energía y, al mismo tiempo, presione las teclas "OK" y "ESC" simultáneamente.

Se visualiza la pantalla que se muestra a la derecha..

La opción para colocar el controlador en modo Parada estará disponible durante aproximadamente cinco segundos. Presione la tecla "OK" para ingresar el modo Parada. Si no se presiona ninguna tecla, el controlador regresará por defecto al modo de Funcionamiento.

```
Run
->Stop
```

- c) Presione la tecla "ESC".
- Se visualiza el "Menú Princ" que se muestra a la derecha..

```
Menú princ
>Run
Parameter
Edit ar
```

- 2) Desplácese por el menú Principal con la tecla "▲" o la tecla "▼". Si no se visualiza, consulte a un distribuidor de Mitsubishi.
- 3) Mueva el cursor a "PonerHora" mediante la tecla "▲" o la tecla "▼" y presione dos veces la tecla "OK". Se visualiza la pantalla "PonerHora" que se muestra a la derecha. Si no se visualiza, consulte a un distribuidor de Mitsubishi.

```
PonerHora
mm/dd/yyyy
09/06/2001
13:55 Jue
```

ESP

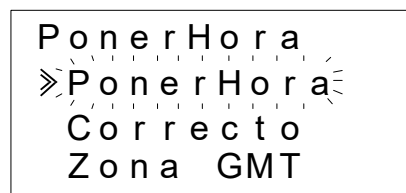
- 4) Intente cambiar los datos de mes/año mediante la tecla “◀” la tecla “▶”, la tecla “+” y la tecla “-”.

Si la edición no es posible, consulte a un distribuidor de Mitsubishi.

- 5) Presione la tecla "ESC"..

Se visualiza la pantalla que se muestra a la derecha y la operación de (4) se invalida.

Si no se visualiza la pantalla correcta, consulte a un distribuidor de Mitsubishi.



15.8 Visualizador de cristal líquido incorrecto

Verifique los siguientes ítems.

- 1) Se visualiza el carácter invertido y la pantalla completa está negra.
Si este error ocurre, consulte a un distribuidor de Mitsubishi. El visualizador del controlador α 2 está dañado.
- 2) Se muestra una inesperada configuración del visualizador
Verifique los siguientes puntos en el programa si el visualizador no aparece como se espera.
 - a) Ajuste la posición en que comienza cada una de las funciones del visualizador. Puede que dos pantallas separadas tengan un área que se sobrepone al otro y causa así un resultado no deseado.
 - b) No se puede visualizar el carácter
 - Verifique si la clavija de entrada al bloque de función del visualizador está conectada.
 - Verifique si existe un conflicto con otra pantalla.

15.9 La casete de memoria no funciona correctamente

Si la casete de memoria no está siendo reconocida o las funciones de transferencia de casete no están operativas, revise los siguientes ítems.



Notas sobre el uso

- Use la casete memoria, el cable de telecomunicación o la cubierta del conector durante el suministro de energía al controlador de la serie α 2.
La instalación inapropiada del equipo puede causar daños en el controlador o un golpe eléctrico.
- 1) La casete de memoria ha de ser instalada correctamente. Refiérase a la sección 6.1 sobre el correcto procedimiento de instalación.
 - 2) Se visualiza el mensaje "Proteg.SW Error".
La protección de datos (Proteg.SW) está configurada.
Refiérase al Manual de Programación α 2 sobre el procedimiento para desbloquear esta configuración.

3) Se visualiza el mensaje "Error de contraseña".

La contraseña está configurada. Vuelva a intentar a inhabilitar la contraseña.

Refiérase al Manual de Programación α 2 sobre el procedimiento para eludir la contraseña.

Con la opción "BorraProg" se puede borrar la contraseña, el programa y todas las configuraciones del menú Principal. El controlador volverá a las configuraciones por defecto de fábrica.

Refiérase al Manual de Programación α 2 sobre el procedimiento para usar la operación "BorraProg".

15.10 No se puede comunicar con el módulo maestro de la interfaz AS

Verifique los siguientes ítems.



Notas sobre el uso

- Use el puerto de expansión o la cubierta del conector durante el suministro de energía al controlador de la serie $\alpha 2$.
La instalación inapropiada del equipo puede causar daños en el controlador o un golpe eléctrico.
- 1) Verifique si el suministro de energía de la interfaz AS es adecuado.
 - 2) Verifique si el bit de control N1 está desconectado. Use uno de los siguiente métodos para cambiar su estado si fuese necesario.
 - a) Si no se usa en el programa
Fuerce el estado a Desconectado, refiérase al Manual de programación $\alpha 2$ sobre el procedimiento para forzar On/Off (conectado/desconectado).
 - b) Si se usa a través del programa
Cambie el programa o manipule las entradas de tal modo que el bit de control N1 se desconecte.
 - 3) Verifique si la dirección de esclavo está correcta.
Programa la dirección de esclavo desde el módulo maestro de la interfaz AS.
Refiérase a la sección 9.4.1 del manual y el módulo maestro de la interfaz AS sobre el método de configuración de la dirección.
 - a) La dirección de otro esclavo y la dirección de AL2-ASI-BD se superponen.
Programa la dirección de tal modo que no se produzca un conflicto.
 - b) La dirección de esclavo es 0.
Programa la dirección válida de esclavo desde el módulo maestro de la interfaz AS.
 - 4) AL2-ASI-BD no es un esclavo activo por el lado del módulo maestro.
Verifique la configuración del módulo maestro.
Refiérase al manual del módulo maestro sobre el método de confirmación.

15.11 No se puede comunicar con AL-PCS/WIN-E

Verifique los siguientes ítems.



Notas sobre el uso

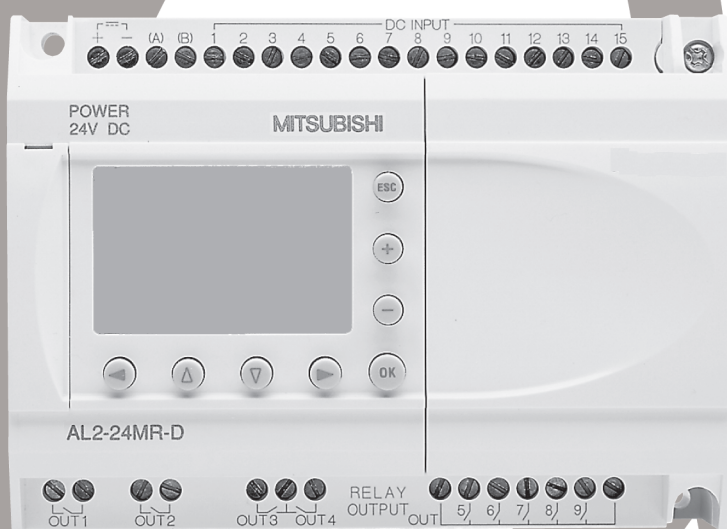
Use la casete de memoria y el cable de comunicación o la cubierta del conector en tanto está instalado sin falta.

Causa golpe eléctrico y la avería.

- 1) Verifique la conexión del cable (AL-232CAB).
Refiérase a la sección 7.2 sobre el método de conexión.
- 2) Verifique la fuente de poder suministrada para la serie $\alpha 2$.
Refiérase a la sección 4 sobre el alambrado para la fuente de poder.
Además, refiérase a la sección 2.2 sobre la especificación de la fuente de poder.
- 3) Verifique si el puerto COM del computador personal al cual está conectada la configuración, coincide con el cable (AL-232CAB) del "puerto de comunicación" configurado por el software de programación. Hágalos coincidir si no fuese así. Hágalos coincidir.
- 4) Cuando se hace mantenimiento a distancia mediante un módem
 - a) Verifique que la configuración del módem está correcta por el lado de la serie $\alpha 2$.
Refiérase al Manual de programación $\alpha 2$ y la sección 7.3 sobre la configuración del módem conectado por el lado de la serie $\alpha 2$.
 - b) Verifique la conexión del cable efectuada por el cliente.
Refiérase a la sección 7.3.2 sobre la conexión del cable.
 - c) Verifique la configuración del módem por el lado del software de programación.
Verifique si el disco de configuración de un módem de accesorio está correctamente instalado.

MEMO

SIMPLE APPLICATION CONTROLLER



SWE

α 2-serien

Maskinvaruhandbok

Förord

- Denna manual innehåller texter, diagram och förklaringar som ska hjälpa användaren att programmera och manövrera styrenheten från serie α/α2 på rätt sätt.
- Varje person som installerar eller använder styrenheten från serie α/α2 ska först ha läst och förstått manualen.
- Om svårigheter uppstår vid installationen av styrenheten från serie α/α2 rådfråga alltid en auktoriserad installatör som är kvalificerad och utbildad enligt lokala och nationella föreskrifter som tillämpas vid sådana arbeten.
- Om svårigheter uppstår vid manövrering eller användning av styrenhet från serie α/α2 vänligen kontakta närmaste Mitsubishi Electric filial.
- Om utrustningen används på ett sätt som inte anges av tillverkaren, kan utrustningens skydd försämrats.
- Under inga omständigheter påtar sig Mitsubishi Electric ansvaret för skador som uppstår genom installationen eller användningen av denna utrustning.
- De exempel och diagram som visas i denna manual ska endast göra det lättare att förstå texten och är inte avsedda att garantera användningen. Mitsubishi Electric påtar sig inte ansvaret för användningen av produkten utgående från illustrationerna.
- Denna produkt har tillverkats för allmänna ändamål för generella branscher och har inte designats eller tillverkats för att ingå i en enhet eller ett system som används i syften relaterade till människoliv.
- Var vänlig kontakta en Mitsubishi Electric filial för mer information angående användning i livshotande situationer eller för högre säkerhet.
- När du kasserar denna produkt, behandla den som industriavfall.
- Denna manual gäller med förbehåll för ändringar.

Denna manual medger ingen industriell copyright eller andra slag av rättigheter, inte heller patenträttigheter. Mitsubishi Electric Corporation ansvarar inte för problem beträffande industriell copyright som kan uppstå genom användningen av innehållet i denna manual.

α2-serien

Maskinvaruhandbok

Handbokens nummer: JY992D97301

Revision: P

Datum: 8/2023

SWE

Riktlinjer för användarsäkerhet och skydd av utrustning

I den här handboken finns anvisningar för hur du använder styrenheterna i α2-serien. Handboken vänder sig i första hand till utbildad och kompetent personal. Sådan personal definieras enligt nedan.

- a) Tekniker som är ansvariga för planering, konstruktion och tillverkning av automatisk utrustning i vilken utrustningen som beskrivs i denna handbok används, och som har för arbetet erforderlig kompetens och behörighet enligt lokala och nationella bestämmelser. Sådana tekniker skall vara fullt insatta i alla säkerhetsfrågor rörande automatisk utrustning.
- b) Driftsättnings- och servicetekniker med för sin arbetsuppgift erforderlig kompetens och behörighet enligt lokala och nationella bestämmelser. Sådana tekniker skall dessutom ha kompetens för användning och underhåll av den kompletta produkten. Detta innebär också att vara helt insatt i all dokumentation för den aktuella produkten. Allt underhåll skall utföras enligt gällande säkerhetsregler och -praxis.
- c) All personal som använder den kompletta utrustningen och som har erforderlig utbildning för att använda den på ett säkert och kontrollerat sätt, i enlighet med gällande säkerhetsregler och -praxis. Sådana operatörer skall dessutom vara helt insatta i den dokumentation som gäller drift av den kompletta utrustningen.

Obs: Obs: Termen "komplett utrustning" avser av tredje part tillverkad utrustning, i vilken produkterna som beskrivs i denna handbok ingår.

Vid rengöring, torka med en torr trasa utan kemikalier.

Symboler som används i handboken

I den här handboken används symboler för att markera information som rör användarens personliga säkerhet och skydd av utrustningen. Det är viktigt att du läser och förstår de anvisningar som ledsagas av dessa symboler. De olika symbolerna är sammanställda nedan, tillsammans med en kort förklaring av deras respektive betydelse.

Maskinvaruvarningar



- 1) Denna symbol betyder att den aktuella faran **KOMMER ATT** orsaka person- och maskinskada.



- 2) Denna symbol betyder att den aktuella faran **KAN KOMMA ATT** orsaka person- och maskinskada.



- 3) Denna symbol markerar sådant som kan kräva ytterligare förklaring.

Programvaruvarningar



- 4) Denna symbol betyder att särskild uppmärksamhet eller försiktighet krävs vid användning av det aktuella programelementet.



- 5) Denna symbol markerar sådant som programanvändaren behöver vara särskilt medveten om.



- 6) Denna symbol markerar sådant som kan kräva ytterligare förklaring.

- Mitsubishi Electric är under inga omständigheter ersättningskyldigt eller ansvarigt för följdskador som kan uppstå till följd av installation eller användning av utrustningen.
- Alla exempel och scheman i handboken är avsedda endast som hjälp att förstå texten, inte för att garantera utrustningens funktion. Mitsubishi Electric är inte ansvarigt för följderna av verklig användning av utrustningen, baserad på dessa åskådningsexempel.
- Vid hanteringar som kan försaka livsfarliga tillstånd eller kräver en hög disposition, vänligen kontakta behörig Mitsubishi Electric filial.

Lista över handböcker

	Handbokens benämning	Handbokens nummer	Beskrivning
⊙	α2 Maskinvaruhandbok (den här handboken)	JY992D97301	I den här handboken finns anvisningar för anslutning och installation av samt tekniska data för styrenheterna i α2-serien.
⊙	α2 Programming Manual <endast engelska>	JY992D97101	I den här handboken finns anvisningar och förklaringar rörande styrenheterna i α2-serien.
○	α Software Manual <endast engelska>	JY992D74001	I den här handboken finns anvisningar för användning av programmeringsverktyget AL-PCS/WIN-E.
○	α2 Series Communication User's Manual <endast engelska>	JY992D97701	I den här handboken finns anvisningar för inställning, meddelanden, bittilldelningar etc. för kommunikation med styrenheterna i α2-serien.
□	α2 Installationshandbok	JY992D97501	I den här handboken finns anvisningar för maskinvaruinstallation av styrenheterna i α2-serien.
□	AL2-4EX, AL2-4EX-A2, AL2-4EYR, AL2-4EYT Installationshandbok	JY992D97401	I den här handboken finns anvisningar för maskinvaruinstallation av utbyggnadsmodulerna AL2-4EX, AL2-4EX-A2, AL2-4EYR och AL2-4EYT.
□	AL2-EEPROM-2 Maskinvaruhandbok	JY992D96801	I den här handboken finns anvisningar för maskinvaruinstallation av AL2-EEPROM-2.
□	AL2-2DA Installationsanvisning	JY997D09301	I den här handboken finns anvisningar för maskinvara och installation av AL2-2DA.
□	AL2-2PT-ADP Installationsanvisning	JY997D09401	I den här handboken finns anvisningar för maskinvara och installation av AL2-2PT-ADP.
□	AL2-2TC-ADP Installationsanvisning	JY997D09501	I den här handboken finns anvisningar för maskinvara och installation av AL2-2TC-ADP.
□	AL-232CAB Maskinvaruhandbok	JY992D76001	I den här handboken finns anvisningar för maskinvaruinstallation av AL-232CAB.
□	AL2-GSM-CAB Maskinvaruhandbok	JY992D97201	I den här handboken finns anvisningar för maskinvaruinstallation av AL2-GSM-CAB.
□	AL-ASI-BD, AL2-ASI-BD Maskinvaruhandbok	JY992D81402	I den här handboken finns maskinvaruanvisningar för anslutning och installation av samt tekniska data etc. för AL-ASI-BD och AL2-ASI-BD.

⊙ Se dessa handböcker.

○ Se dessa handböcker vid behov.

□ Se dessa handböcker vid behov. Deras innehåll ingår också som del i α2 Maskinvaruhandbok.

Förkortningar

I den här handboken används följande förkortningar:

- AL-PCS/WIN-E-programmeringsgränssnitt betecknas VLS-maskinvara eller "programmeringsgränssnitt".
- För styrenheter α2-serien används begreppen "α2-serie", "α2-styrenhet" eller "huvudenhet".
- Funktionsblock förkortas "FB".
- "FBD" är förkortningen för funktionsblockdiagram
- In- och utgångar förkortas "E/A".
- En Personal Computer betecknas "PC".
- "Windows" är den generella beteckningen för operativsystemen Microsoft Windows[®], Windows[®] 95, Windows[®] 98, Windows[®] Me, WindowsNT[®] Workstation 4.0, Windows[®] 2000, Windows[®] XP och Windows Vista[®].

Tillämpning av inregistrerade varumärken och varumärken

- Microsoft Windows[®], Windows[®] 95, Windows[®] 98, Windows[®] Me, WindowsNT[®] Workstation 4.0, Windows[®] 2000, Windows[®] XP och Windows Vista[®] är inregistrerade varumärken eller varumärken från Microsoft Corporation i Förenta Staterna och/eller andra länder.
- De firma- och produktnamn som nämns i den här handboken är respektive firmas inregistrerade varumärke eller varumärke.

Innehållsförteckning

Riktlinjer för användarsäkerhet	SWE-iii
1. Inledning	SWE-1
1.1 Egenskaper och funktioner hos α2-serien	SWE-2
1.2 Modeller	SWE-3
1.3 Mått och benämningar	SWE-4
1.4 Systemkonfiguration	SWE-6
1.5 Lista på versioner	SWE-7
1.6 Kompatibla programmeringsgränssnitt	SWE-7
2. Tekniska data	SWE-8
2.1 Strömförsörjningskrav	SWE-8
2.2 Ingångsdata	SWE-9
2.3 Data för utgångar	SWE-11
2.4 Allmänna data	SWE-12
3. Installation	SWE-14
3.1 Installations- och monteringsanvisningar	SWE-14
3.2 Montering av huvudenheten på DIN-skena	SWE-15
3.2.1 Montering	SWE-15
3.2.2 Demontering	SWE-15
3.3 Direktmontering av huvudenheten	SWE-16
3.4 Installation av utbyggnadsmodul(AL2-14MR-*,AL2-24MR-*)	SWE-17
4. Anslutning och kablage	SWE-18
4.1 Installations- och kablageanvisningar	SWE-18
4.2 Ledararea	SWE-19
4.3 Strömförsörjning	SWE-20
4.4 Växelströmsförsörjning och ingångskablage	SWE-21
4.4.1 Växelströmsförsörjning och ingångskablage	SWE-21
4.4.2 Ingångskablage, AL2-4EX-A2	SWE-21
4.5 Likströmsförsörjning och ingångskablage	SWE-22
4.5.1 Kretsschema för likströmsförsörjning och source-ingång (gemensam +)	SWE-22
4.5.2 Kretsschema för source-ingångskablage (gemensam +), AL2-4EX	SWE-22
4.5.3 Kretsschema för likströmsförsörjning och sink-ingång (gemensam -)	SWE-23
4.5.4 Kretsschema för sink-ingångskablage (gemensam -), AL2-4EX	SWE-23
4.6 Kretsschema utgångsrelä och transistor	SWE-24
4.6.1 Kretsschema för reläutgång huvudenhet (växelström och/eller likström)	SWE-24
4.6.2 Kretsschema för reläutgång AL2-4EYR (växelström och/eller likström)	SWE-25
4.6.3 Kretsschema för transistorutgång (endast source eller gemensam +), AL2-4EYT	SWE-26
5. Plintlayout	SWE-27
6. AL2-EEPROM-2	SWE-30
6.1 Installation	SWE-31

SWE

7. AL-232CAB	SWE-32
7.1 Inledning	SWE-32
7.1.1 Yttre mått	SWE-32
7.2 Ansluten till AL-232CAB-kabel	SWE-33
8. AL2-GSM-CAB	SWE-36
8.1 Inledning	SWE-36
8.1.1 Yttre mått	SWE-36
8.1.2 Systemkonfiguration med AL2-GSM-CAB	SWE-37
8.2 Installation	SWE-38
8.3 Fjärrunderhåll via modem	SWE-40
8.3.1 Rekommenderade modem	SWE-40
8.3.2 RS-232C rak kabel mellan modem och AL2-GSM-CAB	SWE-40
8.3.3 Modeminställning	SWE-41
9. AL2-ASI-BD (AL2-14MR-*, AL2-24MR-*)	SWE-44
9.1 Inledning	SWE-44
9.1.1 Yttre mått	SWE-44
9.1.2 Systemkonfiguration	SWE-45
9.2 Tekniska data	SWE-45
9.3 Kabelanslutning och Installation	SWE-46
9.3.1 Installation	SWE-46
9.3.2 Anslutning och kablage	SWE-47
9.4 Slavadressinställning och diagnostik	SWE-47
9.4.1 Slavadressinställning	SWE-47
9.4.2 Tillämpliga felkontroller	SWE-47
10. DCF77-radioklocka	SWE-48
10.1 Översikt	SWE-48
10.2 Systemkonfiguration	SWE-48
10.3 Tekniska data	SWE-49
10.4 Anslutning	SWE-50
10.4.1 Kablage	SWE-50
10.4.2 Installation av DCF77 från α2-displayen	SWE-51
10.4.3 Automatisk start	SWE-52
10.4.4 Automatiskt stopp	SWE-52
10.4.5 Verifiering av mottagen tid	SWE-52
11. AL2-2DA (AL2-14MR-*, AL2-24MR-*)	SWE-54
11.1 Översikt	SWE-55
11.1.1 Yttre mått	SWE-55
11.1.2 Systemkonfiguration	SWE-55
11.2 Tekniska data	SWE-56
11.3 Installation och kablage	SWE-57
11.3.1 Installation	SWE-57
11.3.2 Kablage	SWE-58
11.3.3 Feldiagnos	SWE-59

12.AL2-2PT-ADP	SWE-60
12.1 Översikt	SWE-61
12.1.1 Yttre mått	SWE-61
12.2 Systemkonfiguration	SWE-61
12.3 Tekniska data	SWE-62
12.4 Installation och kablage	SWE-64
12.4.1 Installation	SWE-64
12.4.2 Kablage	SWE-65
12.4.3 Val av måttenhet för temperaturen	SWE-66
12.4.4 Offsetavstämning	SWE-67
12.4.5 Avstämning av förstärkningen	SWE-68
12.4.6 Finavstämning av offset	SWE-70
12.4.7 Feldiagnos	SWE-71
13.AL2-2TC-ADP	SWE-72
13.1 Översikt	SWE-73
13.1.1 Yttre mått	SWE-73
13.2 Systemkonfiguration	SWE-73
13.3 Tekniska data	SWE-74
13.4 Installation och kablage	SWE-76
13.4.1 Installation	SWE-76
13.4.2 Kablage	SWE-77
13.4.3 Val av måttenhet för temperaturen	SWE-78
13.4.4 Offsetavstämning	SWE-79
13.4.5 Avstämning av förstärkningen	SWE-81
13.4.6 Finavstämning av offset	SWE-82
13.4.7 Feldiagnos	SWE-83
14.Lista över knappar, systembitar och funktionsblock	SWE-84
14.1 Lista över knappar	SWE-84
14.2 Lista över systembitar	SWE-85
14.2.1 Lista över systembitar	SWE-85
14.2.2 Lista över kontrollbitar	SWE-86
14.3 Lista över funktionsblock	SWE-87
15.Diagnostik	SWE-91
15.1 Ingångsstatusfel	SWE-92
15.2 Utgångsstatusfel	SWE-92
15.3 TOP MENU visas inte	SWE-93
15.4 Det går inte att gå över till driftläge	SWE-94
15.5 Felaktiga klockdata	SWE-94
15.6 Ett frågetecken, ?, visas i teckenfönstret	SWE-94
15.7 Kontrollknapparna fungerar inte	SWE-95
15.8 LCD-fel	SWE-96
15.9 Minneskassetten fungerar inte korrekt	SWE-96
15.10Kommunikationen med AS-gränssnittets mastermodul fungerar inte	SWE-97
15.11Kommunikationen med AL-PCS/WIN-E fungerar inte	SWE-98

SWE

1. Inledning

α2-serien kan enkelt användas på platser där kontroll behövs för fabriken. Styrenheten till/från-reglerar den anslutna utrustningen enligt funktionsblockprogrammet.

Förklaringar till anvisningarna och driften av huvudenheten finns i programmeringshandboken för α2. Programmeringsgränssnittet AL-PCS/WIN-E förklaras i α2-seriens programvaruhandbok.

Användningsområden

α2-serien är avsedd för automatisering av till exempel de nedan uppräknade systemen.

- Belysningssystem, luftkonditioneringssystem och vattensystem.
- Portöppning och portstängning.
- Lågkritiska säkerhetssystem.
- Utfodring av husdjur och sällskapsdjur.
- Övervakning av kreaturshagar och växthus.

α2-serien är emellertid inte avsedd för de nedan uppräknade tillämpningarna. Kontakta en Mitsubishi-återförsäljare för mer information.

- System med höga tillförlitlighetskrav, t.ex. kärnkraftverk, järnvägar, flygtrafiksystem, fordon, förbränningsanläggningar och medicinsk utrustning.
- System vars säkra funktion är livsavgörande.

1.1 Egenskaper och funktioner hos α2-serien

- 1) Visning av meddelanden och funktionsblockdata.
 α2-serien kan visa driftstatus och larmmeddelanden i ett LCD-teckenfönster. Den kan visa meddelanden enligt nedan via användarteckenfönstrets funktionsblock. De visade timer- och räknarvärdena kan ändras i läge RUN.
 - Antal tecken i LCD-teckenfönstret: 12 tecken × 4 rader.
 - Visade poster: Meddelande, aktuellt eller inställt värde för timer eller räknare, analoga värden etc.
- 2) Programmering i dator är snabb och enkel.
 Med programmeringsgränssnittet AL-PCS/WIN-E för Windows kan du skriva och spara program. Programmering kan ske i ett grafiskt gränssnitt där du med hjälp av linjer förbinder olika funktionsblock på en programmeringsskärm bild.
 Det går också att programmera direkt med hjälp av knappsatsen på α2:s frontpanel.
- 3) Överföring av LCD-bilder via GSM-modem.
 Med hjälp av e-post kan styrenheterna i α2 (AL2-14MR-*,AL2-24MR-*)-serien skicka LCD-bilden via GSM-modem. Användaren kan övervaka tillämpningens status via meddelanden skickade som e-post via GSM-modem.
- 4) Stöder datorlänkar via dedicerat protokoll.
 α2(AL2-14MR-*,AL2-24MR-*)-serien stöder datorlänkar (dedicerat protokoll). Användarspecifika tillämpningsprogram kan via datorlänk ändra schemalagda data och parametrar i funktionsblock samt användas för statusövervakning av tillämpningen.
- 5) Kraftfull klockfunktion
 Veckotimern och almanackan har många inställningsmöjligheter som kan användas för kraftfulla tidsberoende styrfunktioner.
- 6) Analog ingång, 0–10 V/0–500, -50 °C–200 °C (PT100), -50 °C–450 °C (Thermo-element Typ K)
 Likspänningsingången på α2-serien klarar signaler i intervallet 0–10 V med upplösningen 0–500.
- 7) Analogutgång, 0–4000 / 0–10 V, 0–2000 / 4–20 mA
 Med styrenheterna i α2-serien kan spänning och ström matas ut.
- 8) Höghastighetsräknare, max. 1 kHz.
 α2-serien har höghastighetsräknare (max. 2 decimaler) när AL2-4EX (EI1, EI2) används.
- 9) Kapacitet för hög utgångsström

Tabell 1.1: Kapacitet för hög utgångsström

Utgångstyp		Maximiström
Relä	AL2-10MR-*: O01 - O04 AL2-14MR-*: O01 - O06 AL2-24MR-*: O01 - O04	8 A/gemensam
	AL2-24MR-*: O05 - O09 AL2-4EYR: EO1 - EO4	2 A/kontakt (4 A/gemensam)
Transistor	AL2-4EYT: EO1 - EO4	2 A/kontakt

- 10) Inbyggt EEPROM.
 Ett inbyggt EEPROM eliminerar behovet av batterireserv för datalagring.
- 11) Sju olika menyspråk.
 α2-serien stöder 7 språk (engelska, tyska, franska, italienska, spanska, svenska och ryska*¹). Du väljer språk i TOP MENU.

*1 V3.00 eller nyare

1.2 Modeller

Tabell 1.2: Huvudenhet

Modell	Strömförsörjning	Ingång		Utgång		Mått mm	Vikt kg
		Typ	Antal	Typ	Antal		
AL2-10MR-A	100–240 V~	100–240 V~	6	Relä	4	71,2 x 90 x 52	0,21
AL2-10MR-D	24 V=	24 V= Sink/Source	6	Relä	4		0,20
AL2-14MR-A	100–240 V~	100–240 V~	8	Relä	6	124,6 x 90 x 52	0,30 ^{*1}
AL2-14MR-D	24 V=	24 V= Sink/Source	8	Relä	6		
AL2-24MR-A	100–240 V~	100–240 V~	15	Relä	9		0,35 ^{*1}
AL2-24MR-D	24 V=	24 V= Sink/Source	15	Relä	9		0,30 ^{*1}

*1 Utan utbyggnadsmoduler.

Tabell 1.3: Utbyggnadsmodul

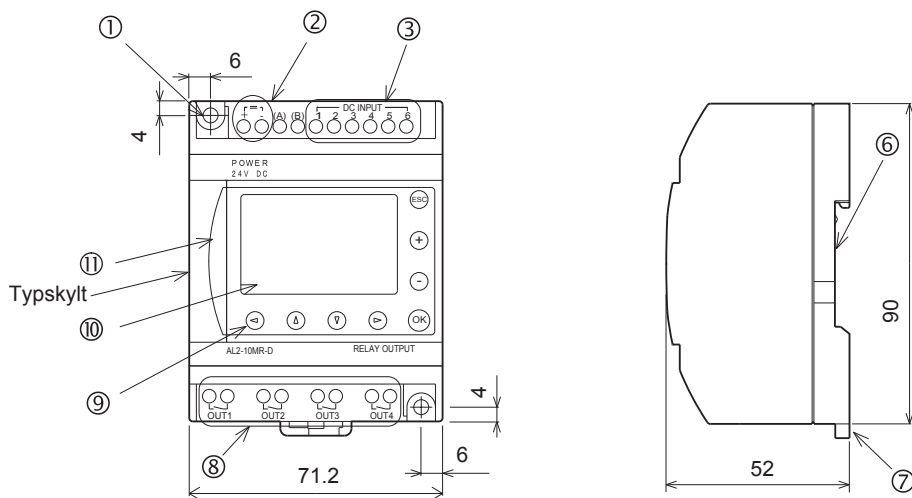
Modell	Ingång		Utgång		Vikt kg
	Typ	Antal	Typ	Antal	
AL2-4EX-A2	220–240 V~	4	—		0,05
AL2-4EX	24 V=, Sink/Source	4	—		
AL2-4EYR	—	—	Relä	4	
AL2-4EYT	—	—	Transistor	4	
AL2-ASI-BD	AS-interface (ingångar)	4	AS-interface (utgångar)	4	
AL2-2DA ^{*1}	—	—	Analoga utdata („0–10 V“ eller „4–20 mA“)	2	
AL2-2PT-ADP ^{*1}	Temperaturmätaradapter (PT100)	2	Analog (0 till 10 V)	2	
AL2-2TC-ADP ^{*1}	Temperaturmätaradapter (thermoelement Typ K)	2	Analog (0 till 10 V)	2	

*2 Utbyggnadsmodul AL2-2DA och adapter AL2-2PT-ADP och AL2-2TC-ADP kan endast kommunicera med en α2 huvudenhet med version V2.00 eller nyare.

SWE

1.3 Mått och benämningar

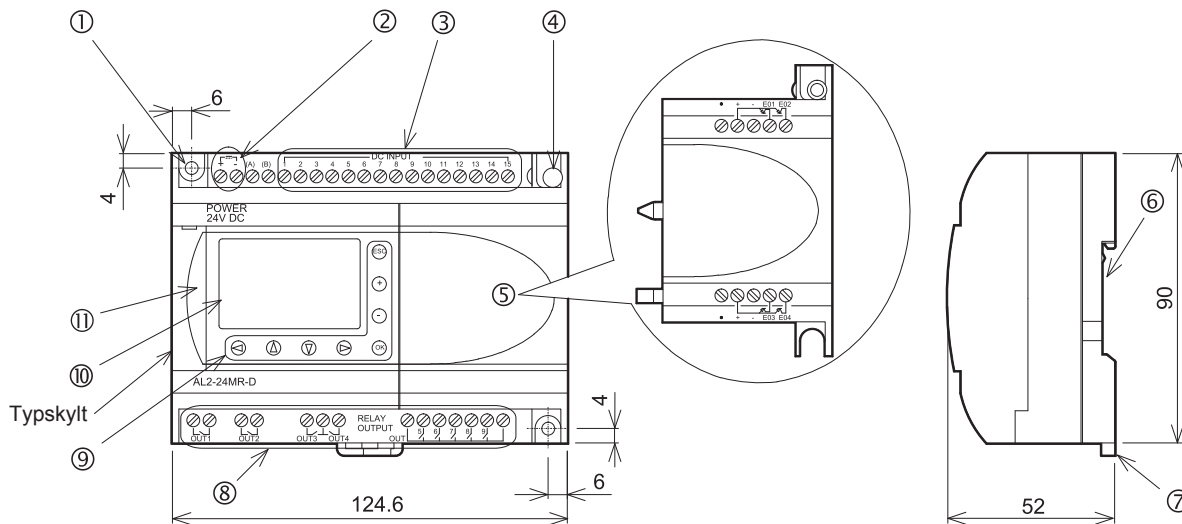
Figur 1.1: Benämningar(AL2-10MR-*)



Typskylt utskrift

⚠ är ett märke som informerar om att använda kabel med en tillräcklig temperatmärkning (80°C eller mer) för anslutningar.

Figur 1.2: Benämningar(AL2-14MR-*,AL2-24MR-*)



Typskylt utskrift

⚠ är ett märke som informerar om att använda kabel med en tillräcklig temperatmärkning (80°C eller mer) för anslutningar.

Tabell 1.4: Benämningar

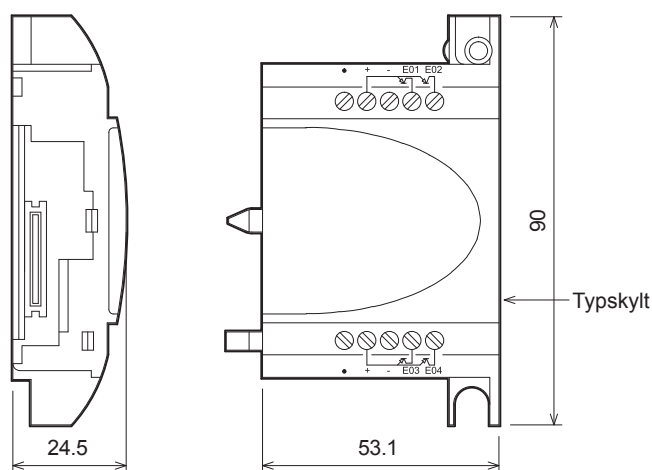
Pos.	Benämning
1	Monteringshål, $\phi 4,2$ mm
2	Elanslutning
3	Ingångar
4	Fästskruvar för utbyggnadskåpa eller utbyggnadsmodul
5	Utbyggnadskåpa eller utbyggnadsmodul(AL2-14MR-*,AL2-24MR-*),
6	Spår för montering på DIN-skena (DIN-skenans bredd 35mm <DIN EN 50022>)
7	Fästen för montering på DIN-skena
8	Utgångar
9	Funktionsknappar
10	LCD-teckenfönster
11	Programmeringsportskydd



Obs

- Se kapitel 7 för måtten på AL-232CAB.
- Se kapitel 8 för måtten på AL2-GSM-CAB.
- Se kapitel 9 för måtten på AL2-ASI-BD.
- Se kapitel 11 för måtten på AL2-2DA.
- Se kapitel 12 för måtten på AL2-2PT-ADP.
- Se kapitel 13 för måtten på AL2-2TC-ADP.

Figur 1.3: Mått (AL2-4EX, AL2-2EX-A2, AL2-4EYR, AL2-4EYT)



SWE

Typskylt utskrift

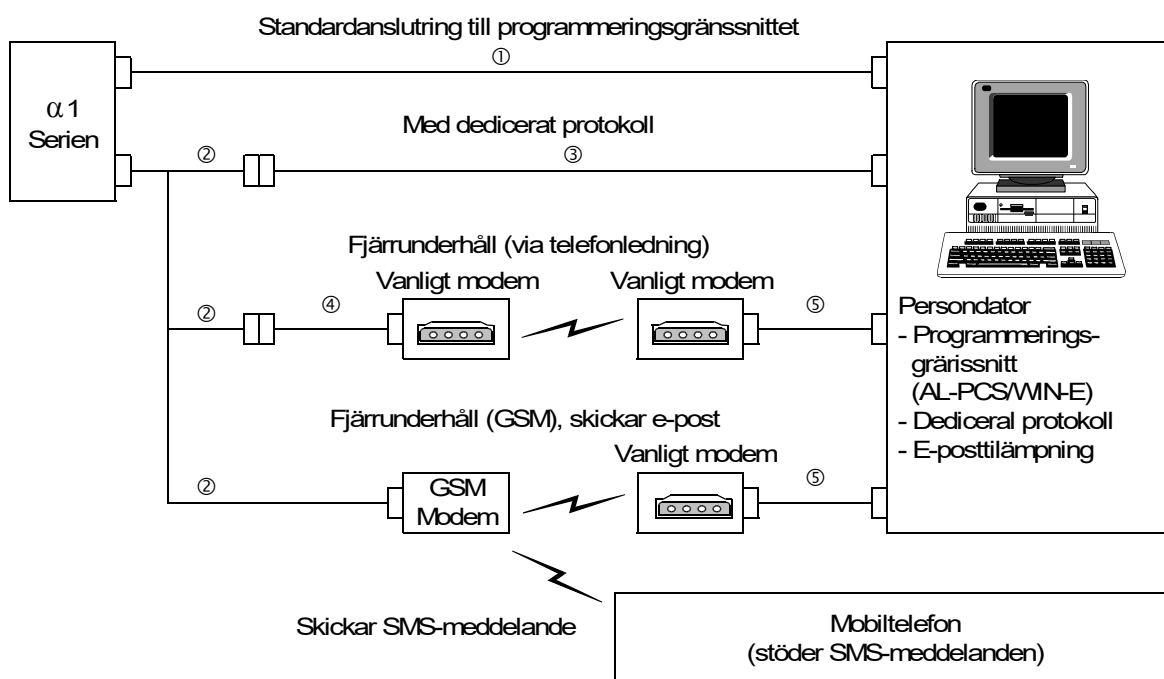
⚠ är ett märke som informerar om att använda kabel med en tillräcklig temperatmärkning (80°C eller mer) för anslutningar

1.4 Systemkonfiguration

Figur 1.4: Systemkonfiguration(AL2-10MR-*)



Figur 1.5: Systemkonfiguration(AL2-14MR-*,AL2-24MR-*)



Tabell 1.5: Systemkonfiguration

Funktion	Kabel
1	AL-232CAB
2	AL2-GSM-CAB
3	RS-232C korskabel*1
4	RS-232C rak kabel för modem*1
5	RS-232C rak kabel för modem (specificerad av modemtillverkaren)

*1 Ytterligare information finns i kapitel 8.

1.5 Lista på versioner

Tabell 1.6: Utveckling av α2-Serien

Version	beskrivning
V1.00	Första produkt
V2.00	Kommunicerar med: <ul style="list-style-type: none"> • AL2-2DA, AL2-2PT-ADP och AL2-2TC-ADP • Nya funktionsblock AO [analoga utdata] och PID [PID-reglering] • DCF77-radioklocka
V2.20	Kommunicerar med: <ul style="list-style-type: none"> • Nya funktionsblock SMR[Short Message Receiving] och CD[Call Detect] • Ökat skydd för användarprogram • Fler inställningar för sommartid • Ökat skydd mot kopiering • GSM SIM PIN • Textsträng för modem
V3.00	Kommunicerar med: <ul style="list-style-type: none"> • Timräkneverk som uppbackas av EEPROM (nr.197 - 200) • Displaybuffer för avläsning med dedicated protocol • Utökning med det ryska språket

1.6 Kompatibla programmeringsgränssnitt

Tabell 1.7: Kompatibla programmeringsgränssnitt

Version α2-serien	Version av programmeringsmjukvara (AL-PCS/WIN-E)
V1.00	V2.00 eller nyare
V2.00	V2.30 eller nyare
V2.20	V2.40 eller nyare
V3.00	V2.50 eller nyare



Obs

- Äldre versioner av AL-PCS/WIN-E än V2.00 kan inte kommunicera med α2-serien.
- Utbyggnadsmoduler och adapter AL2-2DA, AL2-2PT-ADP och AL2-2TC-ADP skall inte användas med AL-PCS/WIN-E gränssnitt av äldre versioner än V2.30.

SWE

2. Tekniska data



Obs

- Se kapitel 9 om tekniska data för AL2-ASI-BD.
- Se kapitel 11 om tekniska data för AL2-2DA.
- Se kapitel 12 om tekniska data för AL2-2PT-ADP.
- Se kapitel 13 om tekniska data för AL2-2TC-ADP.

2.1 Strömförsörjningskrav

Tabell 2.1: Strömförsörjningskrav

Beskrivning	Beteckning	Tekniska data
Strömförsörjning	AL2-***-A	100–240 V~, +10 % -15 %, 50/60 Hz
	AL2-***-D	24V=, +20 % – 15 %
Max. kortvarigt spänningsbortfall	AL2-***-A	10 ms
	AL2-***-D	5 ms
Startström	AL2-***-A, 240 V~ (120 V~)	≤ 6,5 A (3,5 A) < 5ms
	AL2-***-D, 24 V=	≤ 7,0 A
Maximal effektförbrukning	AL2-10MR-A, 264V ~	4,9 W
	AL2-10MR-D, 28,8V=	4,0 W
	AL2-14MR-A, 264 V~	5,5 W
	AL2-14MR-D, 28,8 V=	7,5 W
	AL2-24MR-A, 264 V~	7,0 W
	AL2-24MR-D, 28,8 V=	9,0 W
Typisk effektförbrukning (utan specialanslutningsmoduler)	AL2-10MR-A, 240V V~	I/O alla Till - 3,5 W, I/O alla Från - 1,85 W
	AL2-10MR-A, 120V V~	I/O alla Till - 3,0 W, I/O alla Från - 1,55 W
	AL2-10MR-D, 24V V=	I/O alla Till - 2,5 W, I/O alla Från - 0,75 W
	AL2-14MR-A, 240 V~	I/O alla Till - 3,5 W, I/O alla Från - 2,0 W
	AL2-14MR-A, 120 V~	I/O alla Till - 4,0 W, I/O alla Från - 1,5 W
	AL2-14MR-D, 24 V=	I/O alla Till - 5,0 W, I/O alla Från - 1,0 W
	AL2-24MR-A, 240 V~	I/O alla Till - 5,5 W, I/O alla Från - 2,5 W
	AL2-24MR-A, 120V~	I/O alla Till - 4,5 W, I/O alla Från - 2,0 W
	AL2-24MR-D, 24 V=	I/O alla Till - 5,0 W, I/O alla Från - 1,0 W
Säkring	AL2-***-A AL2-10MR-D	Klassificering: 250 V 1 A Typ: Fördröjning
	AL2-14MR-D AL2-24MR-D	Klassificering: 250 V 500 mA Typ: Fördröjning

2.2 Ingångsdata

Tabell 2.2: Data för växelspanningsingång

Beskrivning	Data för växelspanningsingång		
	Huvudenhet		AL2-4EX-A2
	AL2-10MR-A: I01~I06 AL2-14MR-A, AL2-24MR-A: I01~I08	AL2-24MR-A: I09~I15	EI1~EI4
Ingående spänning	100–240 V~, +10 % –15 %, 50/60 Hz		220–240 V~, +10 % – 15 %, 50/60 Hz
Ingående ström	0,13 mA/120 V~*1 0,25 mA/240 V~*1	0,15 mA/120 V~*1 0,29 mA/240 V~*1	7,5 mA/240 V~ 50 Hz 9,0 mA/240 V~ 60 Hz
Ingångsimpedans	≥ 800 kΩ		32 kΩ 27 kΩ
Från → Till/Till → Från	≥ 80 V / ≤ 40 V		≥160 V / ≤ 40 V
Svarstid	Från → Till	35-85 ms/120 V~ 25-55 ms/240 V~	15–40 ms / 240 V~
	Till → Från	35-85 ms/120 V~ 50-130 ms/240 V~	
Isolationskrets	Ingen		Optokopplare
Driftindikering	LCD-teckenfönster		

*1 Läckström från sensorer anslutna till ingångarna kan vara tillräcklig för att slå till styrenheten. Använd inte tvåtrådssensorer.

Tabell 2.3: Data för likspänningsingång

Beskrivning			Sink (gemensam -)	Source (gemensam +)
Ingående spänning			24 V=, +20 % -15 %	24 V=, +20 % -15 %
Ingående ström	Huvudenhet	AL2-10MR-D I01~I06	5,5 mA, 24V=	6,0 mA, 24V=
		AL2-14MR-D AL2-24MR-D I01~I08 I09~I15		
	AL2-4EX	EI1~EI4		5,4 mA, 24V=
Från → Till/Till → Från	Huvudenhet	I01~I15	Ström: ≥ 4,7 mA / ≤1,1 mA Spänning: ≤ 4 V / ≥18V	Spänning: ≥18 V / ≤4 V
	AL2-4EX	EI1~EI4	Spänning: ≥ 18 V / ≤ 4 V	Spänning: ≥18 V / ≤ 4 V
Svarstid	Huvudenhet		10–20 ms	
	AL2-4EX *2		10–20 ms	
Isolationskrets	Huvudenhet		Ingen	
	AL2-4EX		Optokopplare	
Driftindikering			LCD-teckenfönster	

*2 EI1 och EI2 för AL2-4EX kan användas som ingångar till höghastighetsräknare. Svarstiden för ingångar till höghastighetsräknare är dock 0,5 ms eller kortare.

Tabell 2.4: Data för analoga ingångar (Endast enhet av typ AL2-*-D)**

Beskrivning	Data för analoga ingångar
Antal analoga ingångar	6 (I01 - I06) : AL2 - 10MR - D
	8 (I01 - I08) : AL2 - 14MR - D, AL2 - 24MR - D
Område för analoga ingångar	0–500
Upplösning	9 bitar, 20 mV (10V/500)
Konverteringshastighet	8 ms
Ingående spänning	0–10 V=
Ingångsimpedans	142 k Ω \pm 5 %
Total noggrannhet	\pm 5 % (0,5 V=)
Offset/förstärkning	Offset = 0 vid 0 V= Förstärkning: 0–10 V= 0–500 Du kan ändra dessa förinställda värden i funktionsblocket OffsetGain
Temperaturavvikelse	\pm 3 LSB

2.3 Data för utgångar

Tabell 2.5: Data för reläutgångar

Beskrivning		Relädata
Maximal omkopplad spänning		Max. 250 V~ respektive max. 30 V=
Maximal resistiv last	AL2-10MR-* (O01 - O04)	8 A/gemensam
	AL2-14MR-* (O01 - O06)	
	AL2-24MR-* (O01 - O04)	
	AL2-24MR-* (O05 - O09)	2 A/kontakt (4 A/gemensam)
	AL2-4EYR (EO1 - EO4)	2 A/kontakt
Kontaktlivslängd vid resistiv last	AL2-10MR-* (O01 - O04)	100000 cykler vid 8 A/240 V~ eller 24 V=
	AL2-14MR-* (O01 - O06)	
	AL2-24MR-* (O01 - O04)	
	AL2-24MR-* (O05 - O09)	100000 cykler vid 2 A/240 V~ eller 24 V=
	AL2-4EYR (EO1 - EO4)	
Minimilast		50 mW (10 mA vid 5 V=)
Maximal induktiv last	AL2-10MR-* (O01 - O04)	249 VA (1/3 hk) vid 125 V~, 373 VA (1/2 hk) vid 250 V~
	AL2-14MR-* (O01 - O06)	
	AL2-24MR-* (O01 - O04)	
	AL2-24MR-* (O05 - O09)	93 VA (1/8 hk) vid 125 V~, 93 VA (1/8 hk) vid 250 V~
	AL2-4EYR (EO1 - EO4)	
Svarstid		≤ 10 ms
Driftindikering		LCD-teckenfönster
Isolationskrets		Relä

Tabell 2.6: Data för transistorutgångar (endast source-typ) på AL2-4EYT

Beskrivning	Transistordata
Maximal omkopplad spänning	5–24 V= (+20 %, -5 %)
Maximal resistiv last	1A per kontakt (8–24 V=), 0,1A per kontakt (5–8 V=)
Minimilast	1,0 mA
Maximal induktiv last	1 A/24 V= (24 W)
Svarstid till/från, från/till (cirka)	≤ 1 ms
Läckström	≤ 0,1 mA/24 V=
Driftindikering	LCD-teckenfönster
Isolationskrets	Optokopplare

SWE

2.4 Allmänna data

Tabell 2.7: Drift- och elmiljödata

Beskrivning	Tekniska data
Programmeringsmetod	Funktionsblock
Maximal programstorlek	200 funktionsblock eller 5000 byte
Programminne	Inbyggt EEPROM (inget reservbatteri behövs) eller extern EEPROM-kassett AL2-EEPROM-2 (tillval)
Enhetens drifttidsreserv	20 dygn (25 °C) (med kondensator)
Realtidsklockans (RTC) gångtidsreserv	20 dygn vid (25 °C) (med kondensator)
Realtidsklockans noggrannhet	5 s/dygn (25 °C)
Drifttemperatur	Styrenhetens maskinvara: (-25)–55 °C Styrenhetens teckenfönster: (-10)–55 °C
Förvaringstemperatur	(-30)–70 °C
Vibrationstålighet – direktmontering	Uppfyller IEC 68-2-6, 10–57 Hz: 0,15 mm konstant amplitud 57–150 Hz: 19,6 m/s ² acceleration Svep i X, Y, Z: 10 gånger (80 minuter i vardera riktningen)
Isolationsresistans – montering på DIN-skena	Uppfyller IEC 68-2-6, 10–57 Hz: 0,075 mm konstant amplitud 57–150 Hz: 9,8 m/s ² acceleration Svep i X, Y, Z: 10 gånger (80 minuter i vardera riktningen)
Stöttålighet	Uppfyller IEC 68-2-27: 147 m/s ² acceleration under 11 ms 3 gånger vardera i riktningarna X, Y och Z
Brusökänslighet	1000 Vpp, 1 µs, 30–100 Hz, testat med brussimulator
Luftfuktighet	35–85 % relativ luftfuktighet, icke kondenserande
Genomslagsspänning	3750 VAC~ under en minut mellan följande punkter: Strömförsörjnings-/ingångsplintar och reläutgångsplintar Reläutgångsplint och reläutgångsplint Alla plintar och DIN 43880 styrenhetsbox eller motsvarande
Isolationsresistans	7 MΩ vid 500 VDC mellan följande punkter: Strömförsörjnings-/ingångsplintar och reläutgångsplintar Reläutgångsplint och reläutgångsplint Alla plintar och DIN 43880 styrenhetsbox eller motsvarande
Föreningegrad	2
Jordning	Ingen
Elektrisk isolering	Förstärkt primär-/sekundärisolering
Driftmiljö	Fri från korrosiva gaser. Låg dammhalt.
Kapslingsklass	IP 20
Temperatur för kultrycktest	75 °C
Driftshöjd över havet	<2000 m ^{*1}
Installationsplats	Inuti apparatskåp ^{*2}
Kategori överspänning	II

Tabell 2.7: Drift- och elmiljödata

Beskrivning		Tekniska data
EG-direktiv	EMC	EN61131-2: 2007
	LVD	EN61131-2: 2007 ^{*3} EN IEC 61010-2-201 ^{*3*4}
Certifiering av UL/cUL		Filnummer: E95239 ^{*5}
LCD-teckenfönster		Teckenfönster med 4 rader om vardera 12 tecken, läge programkörning till/från, lösenordsskydd, bildtabell och funktionsblock under pågående programmering.

*1 α2 seriens styrenhet kan inte användas vid tryck högre än atmosfärstrycket utan att skadas.

*2 α2 seriens styrenhet är konstruerad för att bli installerad i en miljö likvärdig med inomhusklimat.

*3 α2 seriens styrenheter tillverkade för 28:e february 2018 uppfyller EN61131-2:2007, enheter tillverkade efter 1:e mars 2018 uppfyller EN IEC 61010-2-201.

*4 Några modeller tillverkade efter 1:e januari 2018 uppfyller EN IEC 61010-2-201.

*5 AL2-ASI-BD uppfyller inte dessa standarder.

Varning för att uppfylla lågspänningsdirektivet (EN IEC 61010-2-201)

- Vänligen använd α2 seriens styrenhet i ett jordat apparatskåp installerad enligt allmän industriell praxis.
- α2 seriens styrenhet har en IP-klassning som gör att de måste installeras i ett apparatskåp. Det är viktigt att också jorda apparatskåpets dörr. Installation i ett apparatskåp höjer säkerheten för systemet och skyddar också α2 seriens styrenheten från störningar.
- Gällande apparatskåpet, använd en stabil modell som ger ett visst brand- och störskydd för installationen.
- För anslutningar utöver plintar för AC matning eller AC in-/utgångar, använd kablage med förstärkt isolering separerad från annan högspänning.
- Vid installation, för in hela den skalade kabeländen i anslutningsplinten.
- Brytare eller säkring skall installeras i enlighet följande:
 - Uppfylla EN60947-1 eller EN60947-3 standarder.
 - Placeras så att de kan manövreras enkelt.
 - Tillgodose att enheten är tillämplig för utrustningen.

SWE

3. Installation

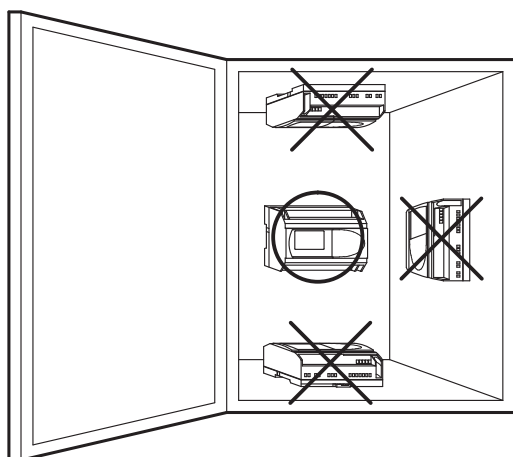
3.1 Installations- och monteringsanvisningar



α2-seriens säkra konstruktion gör det möjligt att installera enheten nästan var som helst, men punkterna nedan måste alltid beaktas.

- Installera inte i områden med mycket damm, ledande damm, korrosiv eller brännbar gas, fukt eller regn, stark värme, kraftiga stötar eller kraftig vibration. Placera inte enheten i vatten eller så att vatten kan läcka in i enheten.
- Se till att inget skräp faller in i enheten under installationsarbetet.
- Installera enheten så långt som möjligt från högspänningskablar och elkraftutrustning.
- Styrenheterna i α2-serien måste installeras i skåp avsedda för montering av enheter som uppfyller DIN 43880, eller i en styrenhetsbox.
- Vid underhållsarbete i apparatskåpet, använd antistatarmband för att undvika att statisk elektricitet skadar α2 styrenheten.

Figur 3.1: Installationsarrangemang



- Använd M4-skruv vid montering med skruvhål.
- Anslutningarna måste vara täckta, för att förhindra personskador till följd av beröring av spänningsförande ledare.
- Lämna för ventilationens skull minst 10 mm utrymme mellan övre respektive nedre kant av α2-styrenheten och höljets väggar.
- Ta inte isär α2-styrenheten.



Obs

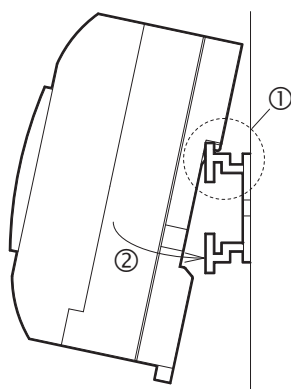
- Se kapitel 6 vid installation eller demontering av AL2-EEPROM-2.
- Se kapitel 7 vid installation eller demontering av AL-232CAB.
- Se kapitel 8 vid installation eller demontering av AL2-GSM-CAB.
- Se kapitel 9 vid installation eller demontering av AL2-ASI-BD.
- Se kapitel 11 vid installation eller demontering av AL2-2DA.
- Se kapitel 12 vid installation eller demontering av AL2-2PT-ADP.
- Se kapitel 13 vid installation eller demontering av AL2-2TC-ADP.

3.2 Montering av huvudenheten på DIN-skena

Enheterna kan knäppas fast på 35 mm DIN-skena (DIN EN 50022). För att lossa enheten från skenan igen drar du undan de fjäderbelastade fästena från skenan och lyfter av enheten framåt/uppåt.

3.2.1 Montering

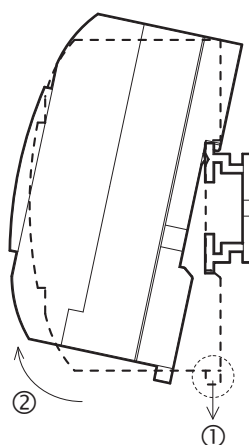
Figur 3.2: Montering



Rikta in översidan av α2-enhetens DIN-skenespår längs DIN-skenan (①) och tryck fast enheten på skenan (②).

3.2.2 Demontering

Figur 3.3: Demontering

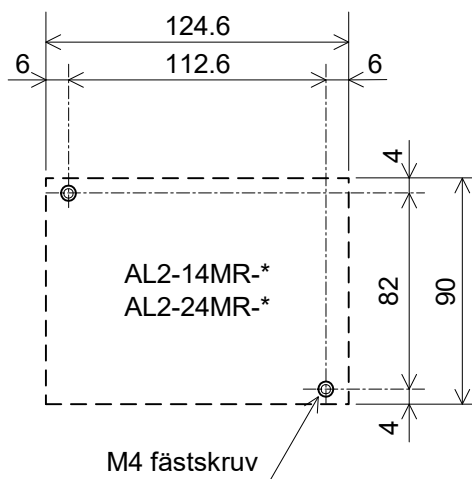
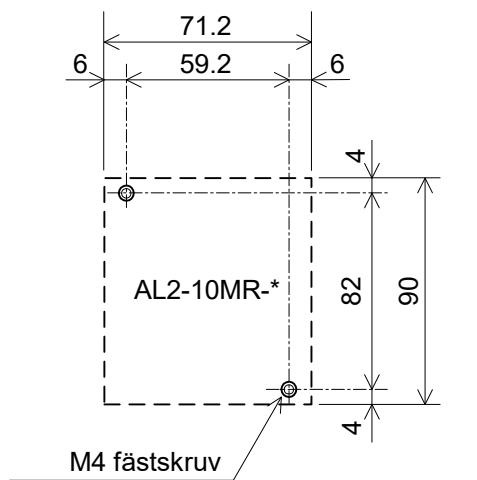


Dra i DIN-skenekroken (①) och lyft av α2-huvudenheten (②).

SWE

3.3 Direktmontering av huvudenheten

Figur 3.4: Direktmontering



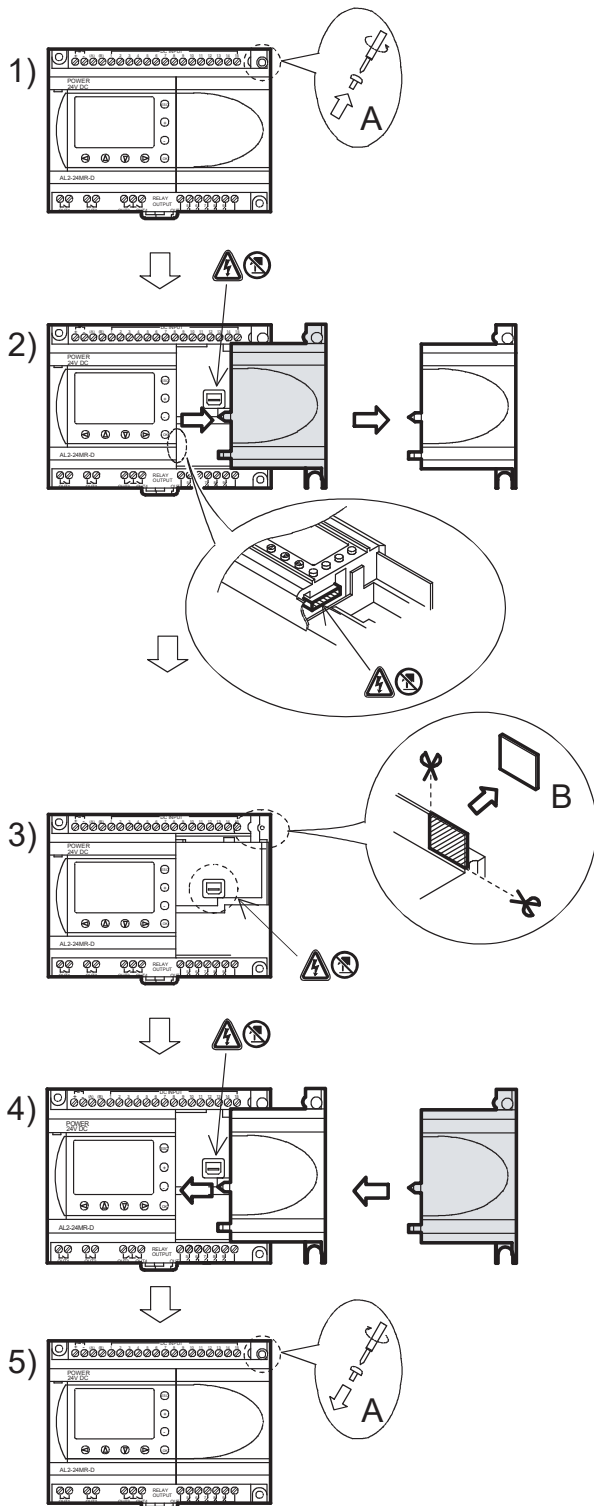
3.4 Installation av utbyggnadsmodul(AL2-14MR-*,AL2-24MR-*)



Viktigt;

Koppla bort samtliga anslutningar från strömförsörjningen innan skyddet avlägsnas.

Figur 3.5: Installation



- 1) Lossa skruv A och behåll den.
- 2) Avlägsna försiktigt det fabriksmonterade expansionsplatskyddet.
- 3) Skär bort sektion B av α2-styrenhetens huvudenhet.
- 4) Fäst expansionsmodulen i huvudenheten.
- 5) Dra åt skruv A med 0,4 N·m.

: Risk för elektriska stötar.

: Rör inte direkt på strömförande delar av produkten.

SWE

4. Anslutning och kablage

Obs

- Se kapitel 9 för kablage av AL2-ASI-BD.
- Se kapitel 11 för kablage av AL2-2DA.
- Se kapitel 12 för kablage av AL2-2PT-ADP.
- Se kapitel 13 för kablage av AL2-2TC-ADP.

4.1 Installations- och kablageanvisningar



Kablaget till α2-serien är konstruerat för säkerhet och enkelhet. Allt arbete rörande elanslutning av styrenheter i α2-serien skall utföras av tekniker med utbildning i och erfarenhet av lokala och nationella regler för elarbeten. Stäng av strömmen före elarbeten.

- In- och utgående kablar skall inte ligga i samma flerledarkabel eller dela samma ledare.
- Installera varken in- eller utgående kablar nära högspänningskablar.
- Ingående respektive utgående kabel får vara högst 30 m långa.

Ta hänsyn till spänningsfall och inducerade störningar vid långa in- och utgående kablar. Använd kablar med tillräcklig ledararea för den aktuella strömmen.



3 mm spårskruvmejsel passar i plinskruvarna.

4.2 Ledararea

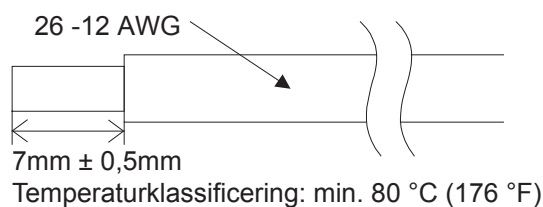
Anslut in- och utgångarna via kabel med ledararea enligt tabellen nedan. Skala kabeln enligt tabell 4.1 och fig. 4.1. Skruva ut anslutningsplintens skruv tills hela plintens hål är frilagt, innan du för in ledaränden. För in ledaränden helt i plinten för att säkerställa fullgod anslutning. 3 mm spårskruvmejsel passar i plintskruvarna.

Tabell 4.1: Ledararea

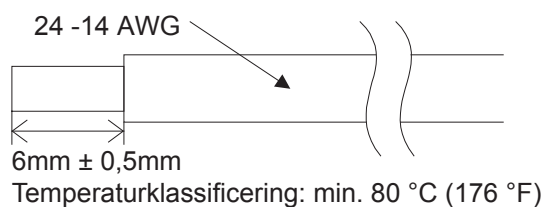
	Ledararea	Skalad längd
Huvudenhet	0,13–3,31 mm ² (26–12 AWG)	7 ±0,5 mm
Utbyggnadsmodul	0,2–2,5 mm ² (24–14 AWG)	6 ±0,5 mm

Figur 4.1: Ledararea

Huvudenhol



Utbyggnadsmodul



Obs:

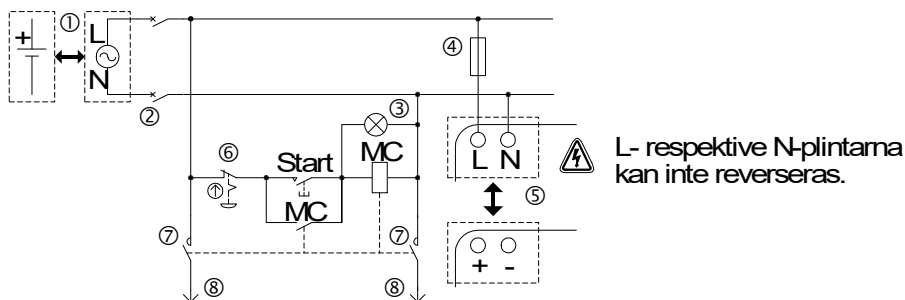
- För att undvika att skada kabeln, drar du åt med 0,5–0,6 Nm.
- Applicera inte lödtenn eller andra ämnen som kan orsaka kardelbrott på den skalade ledaränden.
 - Flertrådig kabel: Avlägsna höljet, tvinna trådarna och anslut kabeln (eller använd klämkoppling).
 - Entrådig kabel: Avlägsna höljet och anslut kabeln.

4.3 Strömförsörjning



- Växelspännsförsörjningens fasledare skall anslutas till plint "L" och dess nolledare till plint "N". Anslut INTE fasledaren till plint "N", eftersom användaren då kan få en farlig elektrisk stöt då utrustningen slås på.
- Likströmsförsörjningens positiva ledare skall anslutas till plint "+" och dess negativa ledare till plint "-". Strömförsörjningen får under inga omständigheter anslutas till några andra plintar på styrenheten. Vid likströmsmatning skall strömförsörjningsaggregatet kunna mata styrenheten med 4 A.

Figur 4.2: Rekommenderat kretsschema för strömförsörjning



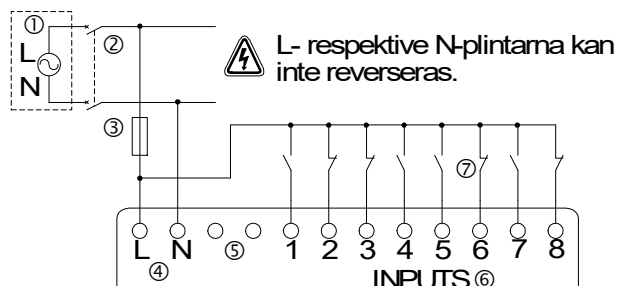
Tabell 4.2: Rekommenderat kretsschema för strömförsörjning

Pos.	Benämning
1	Strömförsörjning AL2-***-A: 100–240 V~, 50/60 Hz AL2-***-D: 24 V=
2	Frånskiljare
3	Indikator för tillslagen spänning
4	Överströmsskydd 1,0 A
5	α2 huvudenhet
6	Nödstop
7	Magnetbrytarkontakt
8	Strömförsörjning för last

4.4 Växelströmsförsörjning och ingångskablage

4.4.1 Växelströmsförsörjning och ingångskablage

Figur 4.3: Kretsschema för växelströmsförsörjning och ingångskablage

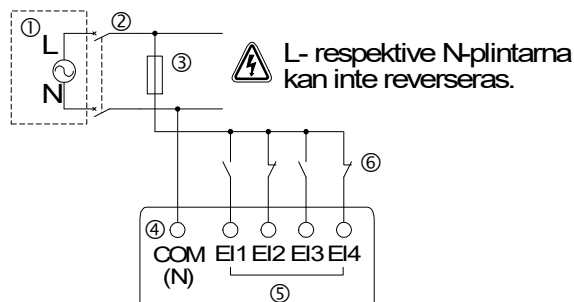


Tabell 4.3: Växelströmsförsörjning och ingångskablage

Pos.	Benämning
1	Växelströmsförsörjning, 100–240 V~, 50/60 Hz
2	Frånskiljare
3	Överströmsskydd 1,0 A
4	Växelströmsplintar
5	Icke använda plintar
6	Ingångar
7	Digitala ingångsväljare

4.4.2 Ingångskablage, AL2-4EX-A2

Figur 4.4: Kretsschema för ingångskablage, AL2-4EX-A2



Tabell 4.4: Växelströmsförsörjning och ingångskablage

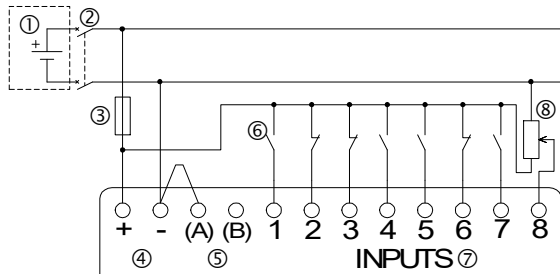
Pos.	Benämning
1	Växelströmsförsörjning, 220–240 V~, 50/60 Hz
2	Frånskiljare
3	Överströmsskydd 1,0 A
4	COM-plint (N)
5	Ingångar
6	Digitala ingångsväljare

SWE

4.5 Likströmsförsörjning och ingångskablage

4.5.1 Kretsschema för likströmsförsörjning och source-ingång (gemensam +)

Figur 4.5: Kretsschema för likströmsförsörjning och source-ingång (gemensam +)

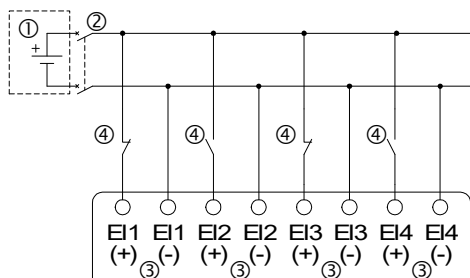


Tabell 4.5: Likströmsförsörjning och source-ingång (gemensam +)

Pos.	Benämning
1	Likströmsförsörjning 24 V
2	Frånskiljare
3	Överströmsskydd 1,0 A
4	Likströmsplintar
5	Sink/source-ingångsplintar
6	Sensoringångsväljare
7	Ingångar
8	Analog ingång

4.5.2 Kretsschema för source-ingångskablage (gemensam +), AL2-4EX

Figur 4.6: Kretsschema för source-ingångskablage (gemensam +), AL2-4EX



Tabell 4.6: Likströmsförsörjning och source-ingång (gemensam +)

Pos.	Benämning
1	Likströmsförsörjning 24 V
2	Frånskiljare
3	Ingångar – se Obs för säkringsstorlek
4	Sensoringångsväljare

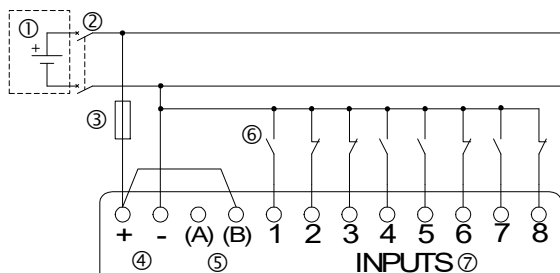


Obs

Varje ingångsplint (EI1 - EI4) kan användas antingen som source- eller sink-ingång.

4.5.3 Kretsschema för likströmsförsörjning och sink-ingång (gemensam –)

Figur 4.7: Kretsschema för likströmsförsörjning och sink-ingång (gemensam –)

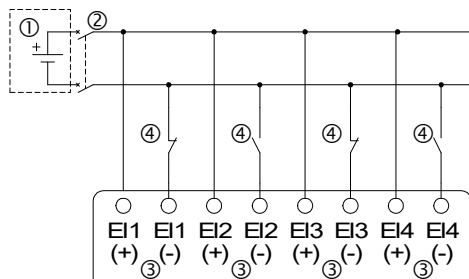


Tabell 4.7: Likströmsförsörjning och sink-ingång (gemensam –)

Pos.	Benämning
1	Likströmsförsörjning 24 V
2	Frånskiljare
3	Överströmsskydd 1,0 A
4	Likströmsplintar
5	Sink/source-ingångsplintar
6	Sensingångsväljare
7	Ingångar

4.5.4 Kretsschema för sink-ingångskablage (gemensam –), AL2-4EX

Figur 4.8: Kretsschema för sink-ingångskablage (gemensam –), AL2-4EX



Tabell 4.8: Likströmsförsörjning och sink-ingång (gemensam –)

Pos.	Benämning
1	Likströmsförsörjning 24 V
2	Frånskiljare
3	Ingångar – se Obs för säkringsstorlek
4	Sensingångsväljare

SWE



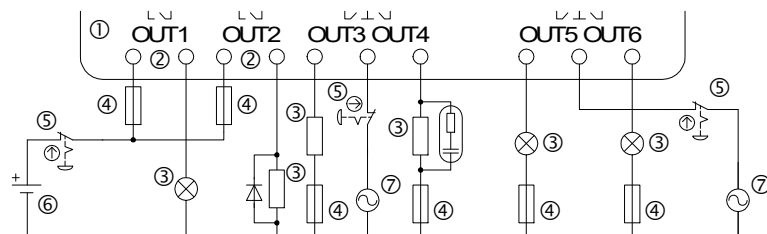
Obs

Varje ingångsplint (E11 - E14) kan användas antingen som source- eller sink-ingång.

4.6 Kretsschema utgångsrelä och transistor

4.6.1 Kretsschema för reläutgång huvudenhet (växelström och/eller likström)

Figur 4.9: Kretsschema för reläutgång huvudenhet (växelström och/eller likström)



Tabell 4.9: Reläutgång huvudenhet (växelström och/eller likström)

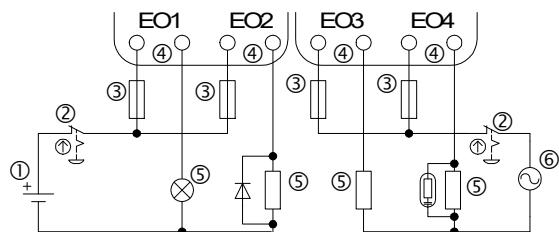
Pos.	Benämning
1	α2 huvudenhet
2	Ömsesidigt uteslutande utgångar
3	Last
4	Överströmsskydd (se tabell 4.10)
5	Nödstopp
6	Likströmsförsörjning
7	Växelströmsförsörjning

Tabell 4.10: Tabell överströmsskydd reläutgång

modell	Antal utgångar	Maximal resistiv last	Överströmsskydd (säkring)
AL2-10MR-*	O01-O04	8 A/gemensam	≤10 A
AL2-14MR-*	O01-O06		≤10 A
AL2-24MR-*	O01-O04	2 A/kontakt (4 A/gemensam)	≤ 10 A
	O05-O09		≤ 3 A

4.6.2 Kretsschema för reläutgång AL2-4EYR (växelström och/eller likström)

Figur 4.10: Kretsschema för reläutgång AL2-4EYR (växelström och/eller likström)



Tabell 4.11: Reläutgång AL2-4EYR (växelström och/eller likström)

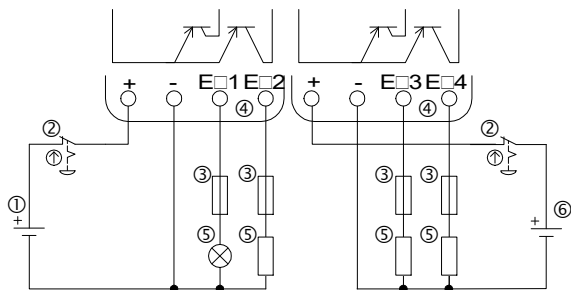
Pos.	Benämning
1	Likströmsförsörjning
2	Nödstop
3	Överströmsskydd ($\leq 3A$)
4	Ömsesidigt uteslutande utgångar
5	Last
6	Växelströmsförsörjning

Tabell 4.12: Tabell överströmsskydd reläutgång

modell	Antal utgångar	Maximal resistiv last	Överströmsskydd (säkring)
AL2-4EYR	EO1 - EO4	2 A/kontakt	$\leq 3 A$ / strömkälla

4.6.3 Kretsschema för transistorutgång (endast source eller gemensam +), AL2-4EYT

Figur 4.11: Kretsschema för transistorutgång (endast source eller gemensam +), AL2-4EYT



Tabell 4.13: Transistorutgång

Pos.	Benämning
1	Likströmsförsörjning 24 V
2	Nödstopp
3	Överströmsskydd – se tabell 4.14
4	Strömförsörjningsplint
5	Last
6	Likströmsförsörjning 12 V

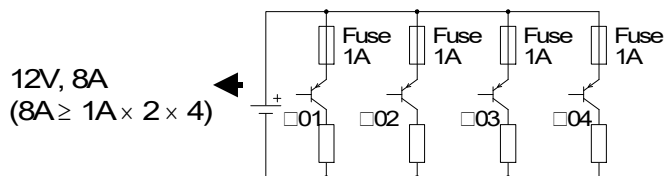
Tabell 4.14: Tabell överströmsskydd transistorutgång

Spänning	Överströmsskydd (säkring)
5 V=	≤ 0,3 A / strömkälla
12 V=	≤ 2,0 A / strömkälla *1
24 V=	≤ 2,0 A / strömkälla *1

*1 Strömkällans kapacitet ≥ säkringens märkström × 2



Figur 4.12: Exempel på beräkning av erforderlig säkringsmärkström



Obs



Tabell 4.15: Information om utgångsplintar

Volt	Information om utgångsplintar
5	Varje krets kan omfatta från en enda utgångsplint ända upp till samtliga utgångsplintar.
12-24	Varje krets kan omfatta från en enda utgångsplint ända upp till samtliga utgångsplintar.
5,12,24	Det går att använda vilka kombinationer som helst av 5 V-, 12 V-, och 24 V-utgångar med en och samma α2-styrenhet, genom att använda separata kretsar för respektive spänning.

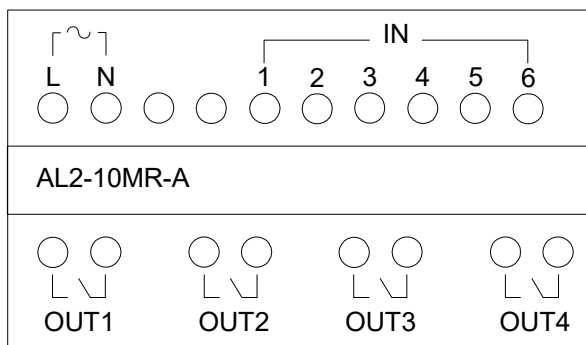
5. Plintlayout



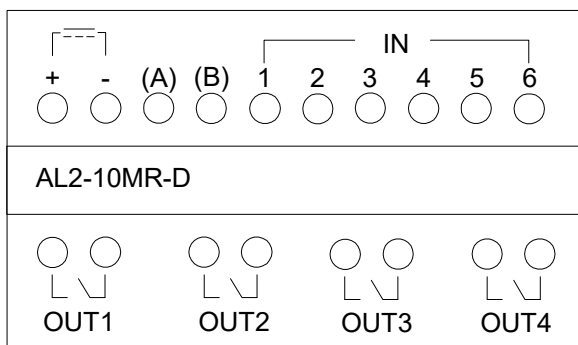
Obs

- Se kapitel 9 vid plintlayout för AL2-ASI-BD.
- Se kapitel 11 vid plintlayout för AL2-2DA.
- Se kapitel 12 vid plintlayout för AL2-2PT-ADP.
- Se kapitel 13 vid plintlayout för AL2-2TC-ADP.

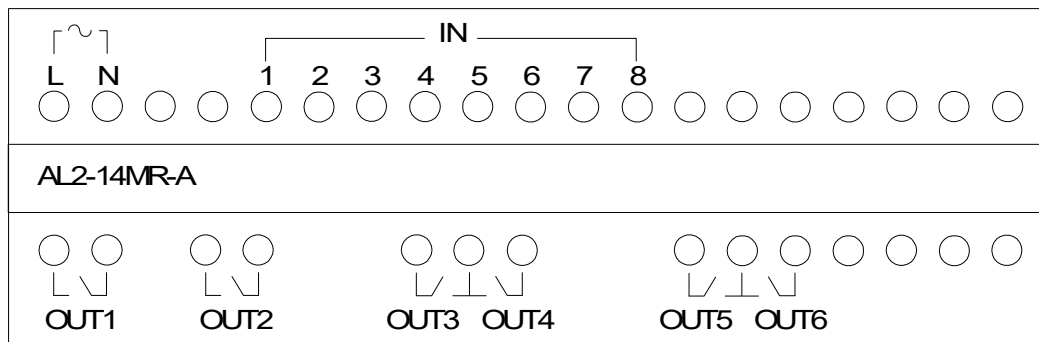
Figur 5.1: AL2-10MR-A, växelströmsingång, reläutgång



Figur 5.2: AL2-10MR-D, likströmsingång, reläutgång

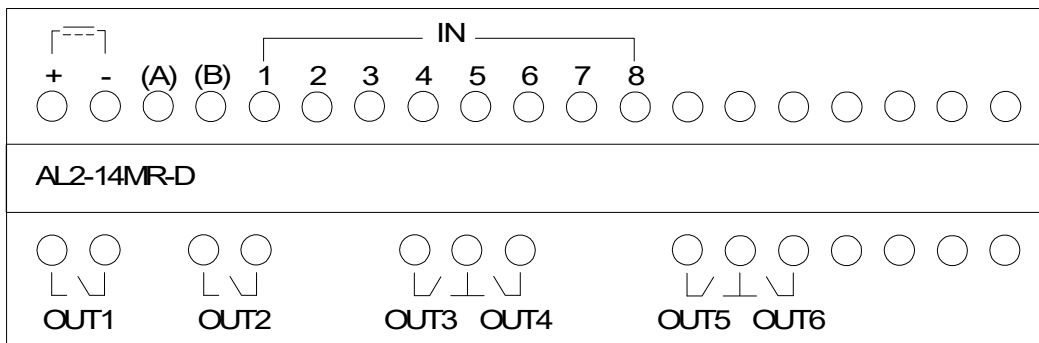


Figur 5.3: AL2-14MR-A, växelströmsingång, reläutgång

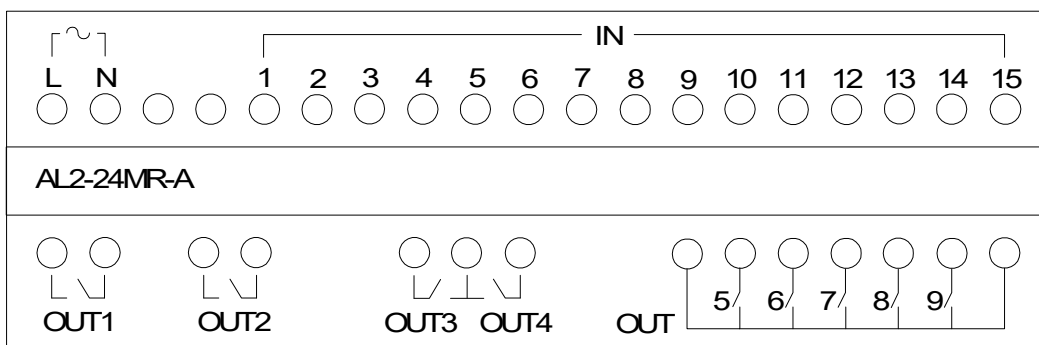


SWE

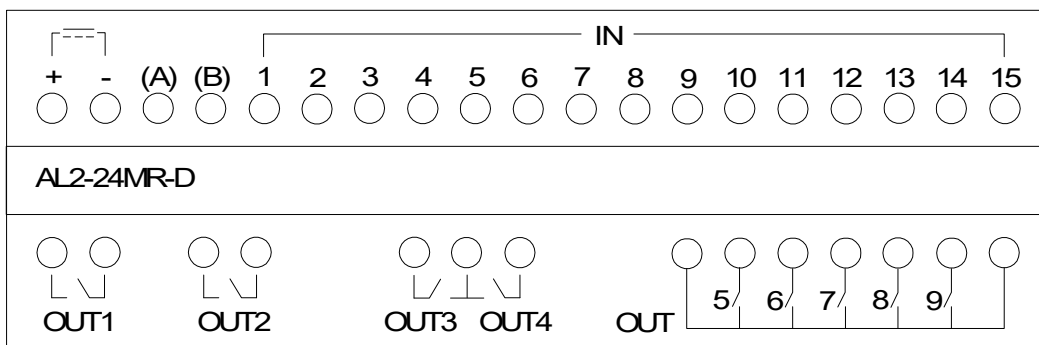
Figur 5.4: AL2-14MR-D, likströmsingång, reläutgång



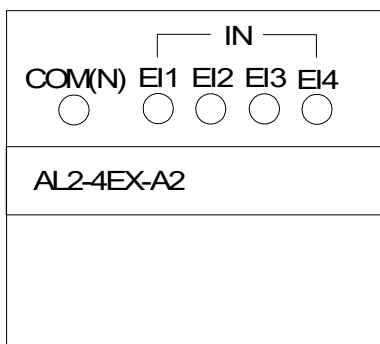
Figur 5.5: AL2-24MR-A, växelströmsingång, reläutgång



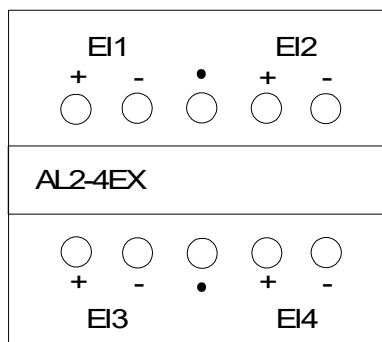
Figur 5.6: AL2-24MR-D, likströmsingång, reläutgång



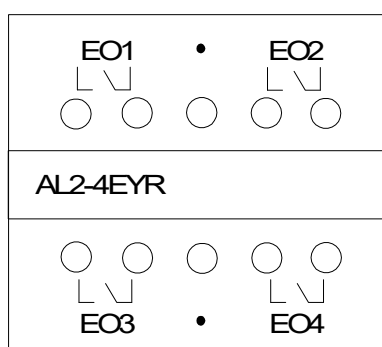
Figur 5.7: AL2-4EX-A2, 220-240 V växelströmsingång



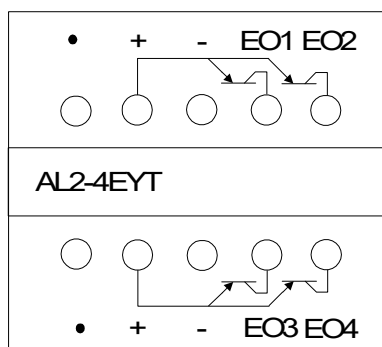
Figur 5.8: AL2-4EX, likströmsingång



Figur 5.9: AL2-4EYR, reläutgång



Figur 5.10: AL2-4EYT, transistorutgång



SWE

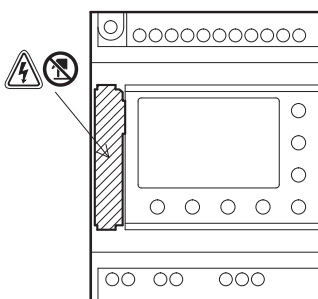
6. AL2-EEPROM-2

AL2-EEPROM-2 minneskassett är endast avsedd att användas till α2-serien (modell AL2-**M*-*).



Viktigt

- Installation/byte av minneskassetten skall utföras av behörig personal.
- Stäng av spänningen till enheten innan du sätter i eller tar ut minneskassetten.
- Sätt tillbaka täcklocket när du tagit ut minneskassetten.
- Var försiktig så att du inte klämmer dig när du monterar täcklock eller minneskassett i α2-enheten.
- VIDRÖR INTE följande delar när du demonterar kåpan eller minneskassetten.

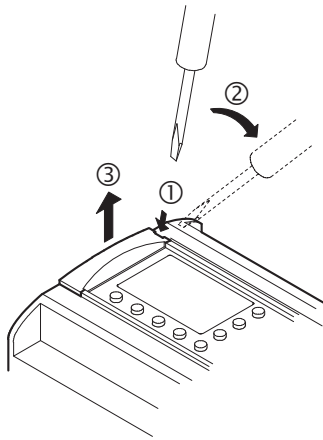


: Risk för elektriska stötar.

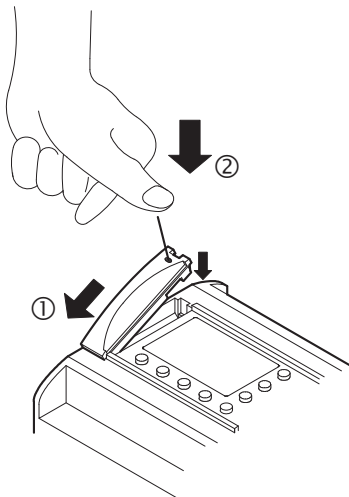
: Rör inte direkt på strömförande delar av produkten.

6.1 Installation

1) Avlägsna täcklock eller minneskassett



2) Montera täcklock eller minneskassett



7. AL-232CAB

7.1 Inledning

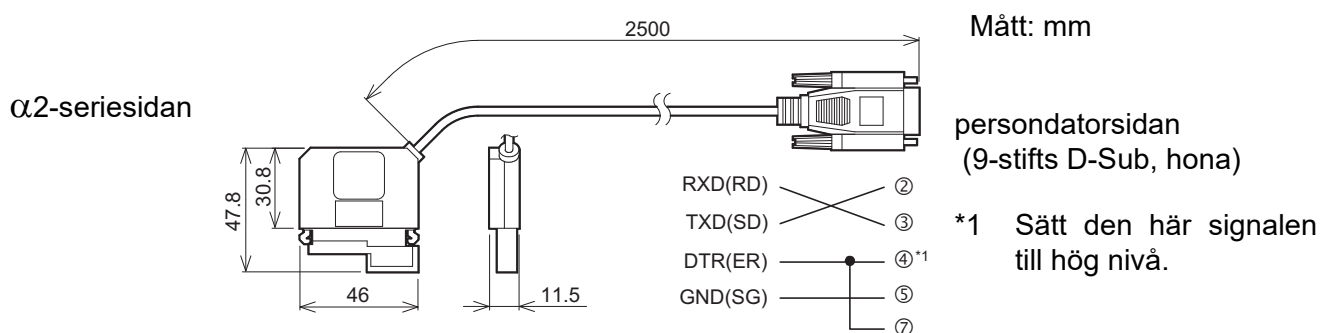
AL-232CAB är en RS-232C-kabel, som används för att ansluta en styrenhet i α-serien (α, α2) till en persondator som kör programmeringsgränssnittet (AL- PCS/ WIN- E).



Observera

- Kabeln AL-232CAB kan inte användas för andra tillämpningar.
- AL-232CAB-kabeln sticker upp cirka 40 mm ovanför den övre panelen vid anslutning till en styrenhet i α-serien.

7.1.1 Yttre mått



7.2 Ansluten till AL-232CAB-kabel



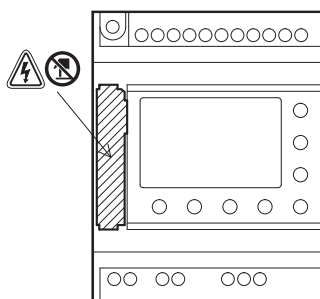
Avlägsna kåpa och minneskassett

- Beakta den personliga säkerheten när du avlägsnar α2-kåpan.



Viktigt

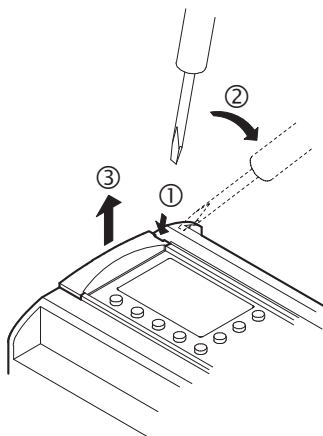
- Stäng av strömförsörjningen innan du ansluter eller lossar AL-232CAB-kabeln.
- Sätt tillbaka minneskassetten och kåpan när du lossat AL-232CAB-kabeln.
- Var försiktig så att du inte klämmer fingrarna när du monterar anslutningskåpan eller minneskassetten på α2-styrenheten.
- Håll i skyddshöljet när du lossar kabeln. Dra INTE i själva kabeln.
- VIDRÖR INTE följande delar när du demonterar kåpan, minneskassetten eller den här kabeln.



: Risk för elektriska stötar.

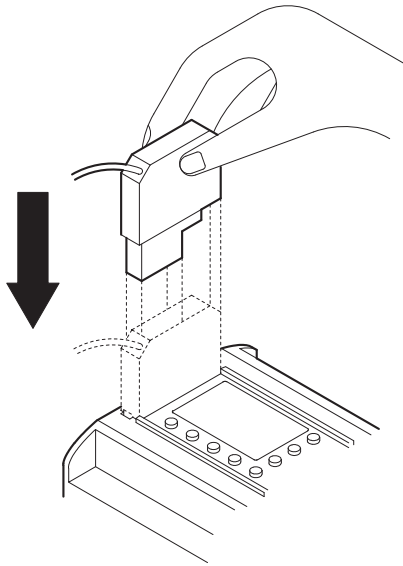
: Rör inte direkt på strömförande delar av produkten.

1) Demontering av kåpan och minneskassetten.

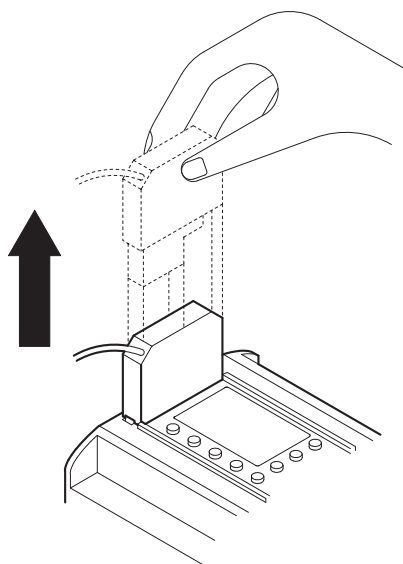


SWE

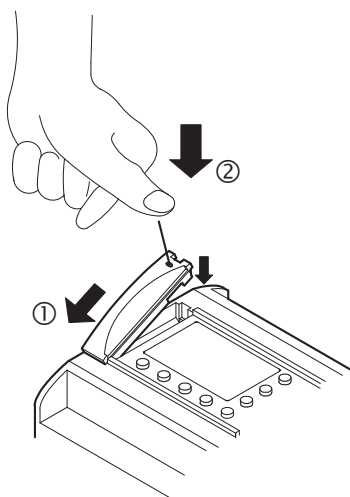
2) Anslutning av AL-232CAB-kabeln.



3) Losskoppling av AL-232CAB-kabeln.



4) Återmontering av kåpan och minneskassetten.



Anteckningar

SWE

8. AL2-GSM-CAB

8.1 Inledning

AL2-GSM-CAB kan användas för att ansluta styrenheter i α2-serien till ett vanligt modem eller GSM-modem. AL2-GSM-CAB kan överföra SMS-data (Short Message Service) till ett GSM-modem för överföring till mobiltelefoner och e-postadresser, eller kan underlätta fjärrövervakningsfunktioner och programöverföring via vanliga modem. Även RS-232C-kommunikation till en persondator kan upprättas, om adapterkabel används.

Ytterligare information finns i α2 maskinvaru - och programhandböcker.



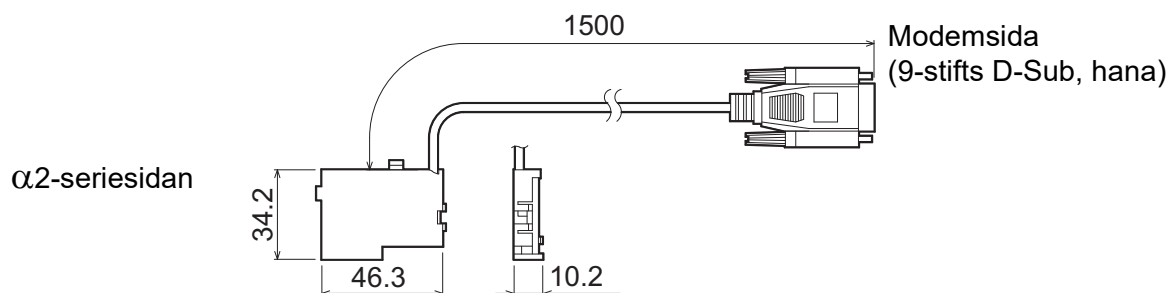
Obs:

- Kabeln kan inte användas för andra tillämpningar.
- Kabeln kan inte anslutas till styrenheter i serie α2 (Model: AL2-14MR-*,AL2-24MR-*).
- Samtidig kommunikation via båda portarna på styrenheter i α2-serien kan skada programmet eller orsaka funktionsfel i styrenheten.

8.1.1 Yttre mått

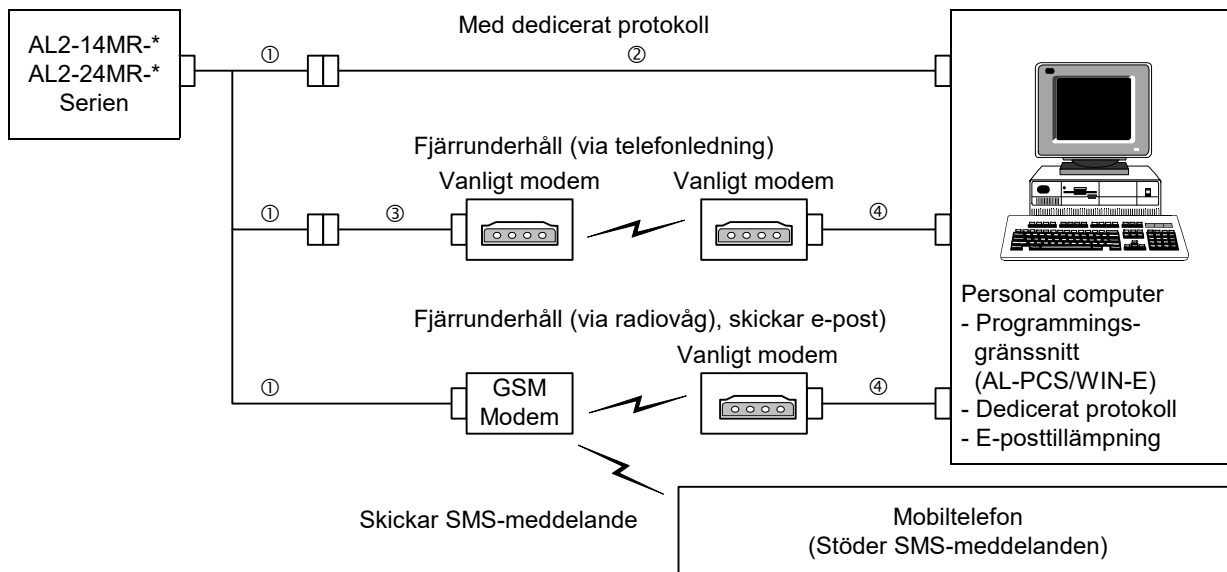
Figur 8.1: Yttre mått

Mått: mm



8.1.2 Systemkonfiguration med AL2-GSM-CAB

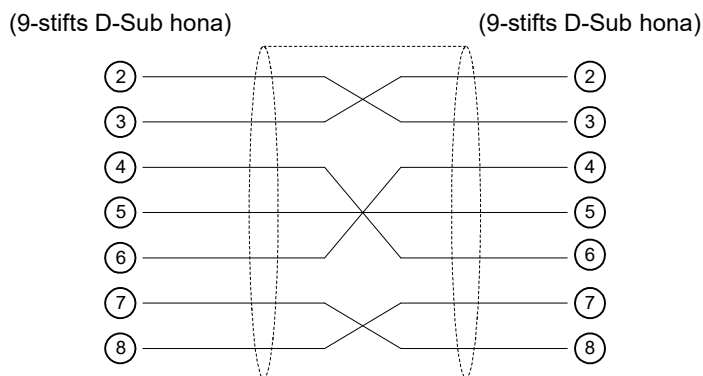
Figur 8.2: Systemkonfiguration med AL2-GSM-CAB



Tabell 8.1: Systemkonfiguration med AL2-GSM-CAB

Funktion	Kabel
1	AL2-GSM-CAB
2	RS-232C korskabel (se fig. 8.3)
3	RS-232C rak kabel för modemmet (se fig. 8.5)
4	RS-232C rak kabel för modemmet (specificerad av modemtillverkaren)

Figur 8.3: RS-232C korskabel, ledarnummering



Obs

Signal 4 och 7 skall sättas höga (PÅ) på persondatorsidan. Om dessa signaler inte ställs in rätt, kan inte datorn kommunicera med α.2-styrenheten.

SWE

8.2 Installation

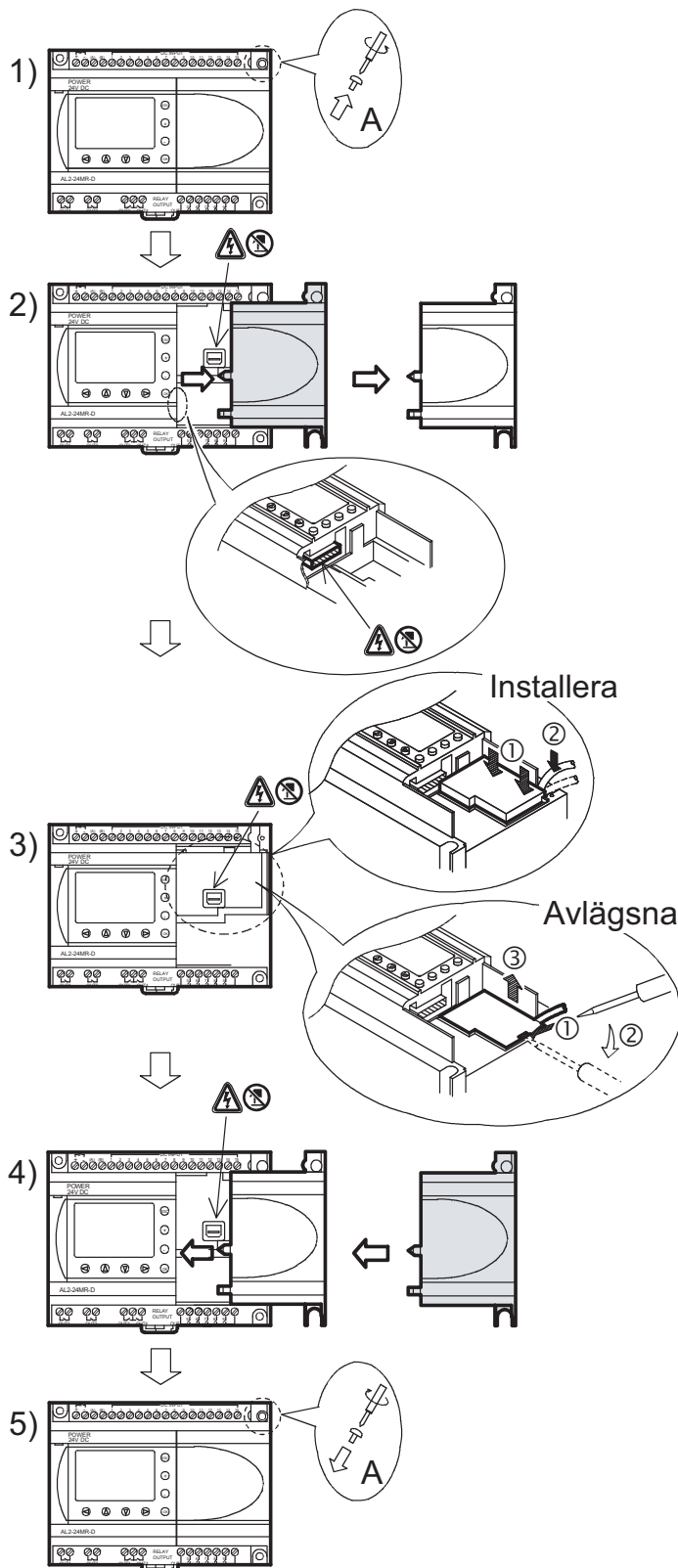
Se figur 8.4 för installation av AL2-GSM-CAB.



Viktigt


- AL2-GSM-CAB skall installeras respektive tas ur av personer med utbildning i och kännedom om gällande lokala och nationella elstandarder.
- Stäng av strömförsörjningen innan du installerar eller tar ut AL2-GSM-CAB.
- Sätt tillbaka höljet efter att du antingen har installerat eller tagit bort AL2-GSM-CAB.
- Mitsubishi Electric är under inga omständigheter ersättningskyldigt eller ansvarigt för följskador som kan uppstå till följd av installation eller användning av utrustningen.
- Dra inte i sladden.
Om du drar i sladden, kan kabeln skadas.
- Vid kommunikation till en enhet av α 2-serien via GSM-modem, måste strömförsörjningen för båda enheterna slås PÅ samtidigt. Om de inte startas samtidigt, kommer α 2-enheten inte att kommunicera via GSM-modemet.

Figur 8.4: Installation



- 1) Avlägsna skruv A. Spara skruven, den behövs i installationen.
- 2) Avlägsna försiktigt det fabriksmonterade α2 expansionsportskyddet eller specialmodulskyddet.
- 3) Installera AL2-GSM-CAB i håligheten. Se noga till att kabeln placeras i kanalen på ingångsplintsidan.
- 4) Sätt tillbaka α2-kåpan eller specialmodulen, försiktigt så att inte AL2-GSM-CAB kommer i kläm.
- 5) Sätt tillbaka skruv A och dra åt med 0,4 N·m.

 Risk för elektriska stötar.

 Rör inte direkt på strömförande delar av produkten.

SWE

8.3 Fjärrunderhåll via modem

Ytterligare information om modeminstallation finns i programmeringshandboken för α2. Det enklaste sättet att installera modemmet är att använda programmeringsgränssnittet (AL-PCS/WIN-E).

8.3.1 Rekommenderade modem

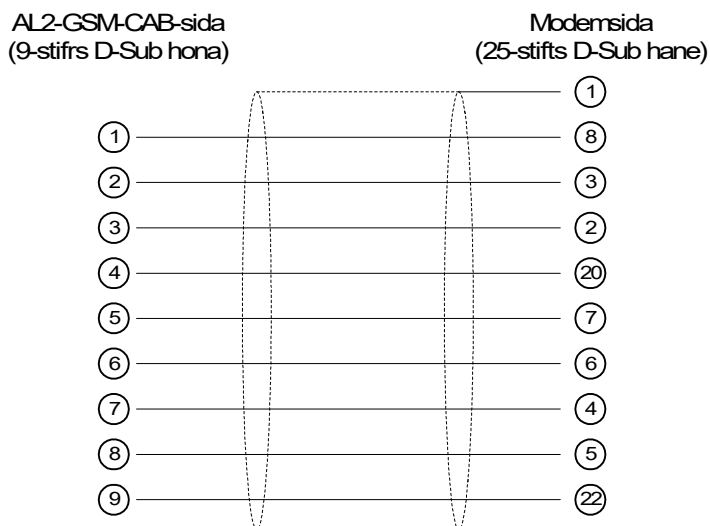
Följande modem har testats med gott resultat.

Tabell 8.2: Testade modem

Tillverkare	Modell	Modemkommando (AT-kommando)
3com	SP560V-P	ATE0Q1&B1&D0H0&I0&R1&S0S0=2S15=8&W
OMRON	ME3314	ATE0S0=2Q1&D0S15=8&R1&H0&W
AIWA	PV-AF3360	ATE0S0=2Q1&D0&M5\Q0\J0&W
Siemens	M20T	ATE0S0=2&S0;+IFC=0,0;+CMEE=1;+IPR=9600&W

8.3.2 RS-232C rak kabel mellan modem och AL2-GSM-CAB

Tabell 8.3: RS-232C rak kabel mellan modem och AL2-GSM-CAB, ledarnumrering



8.3.3 Modeminställning

- 1) Inställning på datorsidan.
Installera filen för modeminställning.
- 2) Inställning av α2-styrenhetens sida.
Modemet i α2-styrenheten ställs in genom huvudenhetens ModemInit-kommando.
 - a) Modemkommandot (AT-kommandot).
Initiera modemmet med hjälp av AT-kommandot. Kontrollera detaljinformationen rörande AT-kommandot i handboken för det aktuella modemmet. AT-kommando anges för utvalda modem i tabell 8.4 (Vanligt modem) och 8.5 (GSM-modem) nedan.

Tabell 8.4: Testade modem

Tillverkare	Modell	Modemkommando (AT-kommando)
3com	SP560V-P	ATE0Q1&B1&D0H0&I0&R1&S0S0=2S15=8&W
OMRON	ME3314	ATE0S0=2Q1&D0S15=8&R1&H0&W
AIWA	PV-AF3360	ATE0S0=2Q1&D0&M5\Q0\J0&W
Siemens	M20T	ATE0S0=2&S0;+IFC=0,0;+CMEE=1;+IPR=9600&W

Ytterligare information om modeminitering finns i programmeringshandboken för α2.

Om modem som inte finns upptagna i ovanstående tabeller, skall AT-kommandot ställas in enligt tabellen nedan.

Tabell 8.5: AT-kommando för modem (Vanligt modem)

Inställningspost	Inställning	Inställningsexempel		
		SP560V-P	ME3314	PV-AF3360
Kommandorepetition	Ingen	E0	E0	E0
Antal uppringningar vid autosvar	2	S0=2	S0=2	S0=2
Visad resultatkod	Ingen	Q1	Q1	Q1
DTR-styrning	Ständigt tillslagen	&D0	&D0	&D0
DSR-styrning	Ständigt tillslagen	&S0		
Kommunikationsläge	V.42bis	S15=8	S15=8	&M5
Terminalhastighet (fast)	Fast	&B1	\J0	
Terminalflödesstyrning	Ingen	-&R1	\Q0	
Flödesstyrning, sändning av data	Ingen	&H0	&H0	-
Flödesstyrning, mottagna data (programvara)	Ingen	&I0		
Flödesstyrning, mottagna data (RTS-styrning)	Ingen	&R1		
Skrivning till icke-flyktigt minne	Skriv till icke-flyktigt minne.	&W	&W	&W

SWE

Tabell 8.6: AT-kommando för GSM-modem

Inställningspost	Inställning	Inställningsexempel
		M20T
Aktivera kommandorepetition	Repetition FRÅN	E0
Antal ringsignaler före autosvar	Autosvar efter andra ringsignalen	S0=2
Funktionsläge för DSR-kretsen (data set ready)	DSR alltid TILL	&S0
TE-TA dataflödesstyrning	<ul style="list-style-type: none"> • Metod terminalutrustningen (TE) använder för mottagning av data från terminaladaptern (TA): Ingen • Metod terminaladaptern (TA) använder för mottagning av data från terminalutrustningen (TE): Ingen 	+IFC=0,0
Rapportera fel i mobil utrustning	Aktivera resultatkod och använd numeriskt värde	+CMEE=1
Fast lokal hastighet	Baudhastighet: 9600 bps	+IPR=9600
Funktionsläge för DCD-kretsen (data carrier detect)*1	DCD-linje TILL endast då bärvåg finns	&C1
Bärvågstyp*1	9600 bps (V.32), asynkront modem, icke-transparent	+CBST=7,0,1
Spara aktuell parameter för definierad profil	Användarprofilen sparas i icke-flyktigt minne	&W

*1 Dessa inställningar behöver inte göras för Siemens M20T, eftersom de är inlagda som standardvärden i detta modem. Om andra GSM-modem skall användas, kan det vara nödvändigt att göra dessa inställningar.

b) Tidsinställning för modeminitiering vid systemstart

Styrenheterna i α2-serien har en funktion som vid start av huvudenheten fördröjer överföringen av modemkommandot (AT-kommandot) för modeminitiering. Fördröjningen kan vara 0–10 sekunder. Detta fördröjningskommando kan användas för att säkerställa att AT-kommandot överförs korrekt i de fall α2-styrenheten startar snabbare än modemmet.

Ytterligare information om handhavande av modem finns i α2 programmeringshandboken och α maskinvaruhandboken.

Anteckningar

SWE

9. AL2-ASI-BD (AL2-14MR-*, AL2-24MR-*)

Gränssnittskortmodulen för ställdonssensor i AL2-ASI-BD används tillsammans med styrenheterna i α2 -serien för datakommunikation via ett nätverk för ställdonssensorgränssnitt (AS-gränssnitt).

Ytterligare information finns i programmeringshandböckerna för α2-styrenheterna.



Viktigt

- AL2-ASI-BD får endast bytas ut av personal med erforderlig kännedom om lokala och nationella elsäkerhetsbestämmelser och standarder .
- Stäng av strömförsörjningen innan du installerar eller tar bort AL2-ASI-BD.
- Sätt tillbaka kåpan när du tagit bort AL2-ASI-BD.
- Mitsubishi Electric är under inga omständigheter ersättningskyldigt eller ansvarigt för följdskador som kan uppstå till följd av installation eller användning av utrustningen.

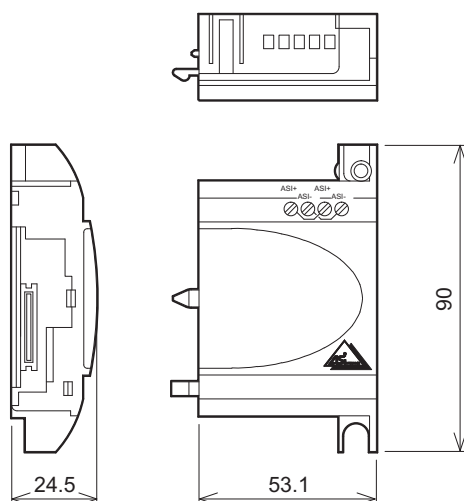
9.1 Inledning

AL2-ASI-BD ansluts till huvudenheten på en styrenhet i serien, så att den utgör en slavstation i ett AS-gränssnittsnätverk (4 ingångar, 4 utgångar). Högst 31 slavenheter kan anslutas för att bilda ett AS-gränssnittsnätverk. Strömförsörjning för kommunikation sker via AS-gränssnittsbussen, via AS-gränssnittets strömförsörjningsenhet. Kommunikationssignalen överlagras över strömförsörjningen på AS-gränssnittsbussen.

9.1.1 Yttre mått

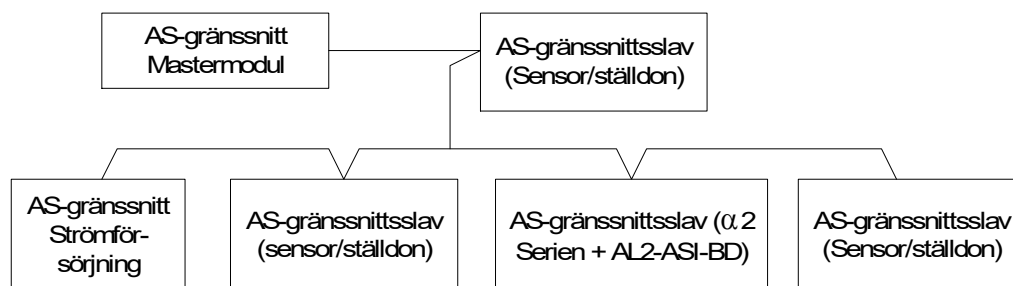
Figur 9.1: Yttre mått

Mått: mm)



9.1.2 Systemkonfiguration

Figur 9.2: Systemkonfiguration



9.2 Tekniska data

För allmänna tekniska data, se kapitel 2.

Tabell 9.1: Maskinvarudata, kommunikation

Funktion	Innehåll
Antal I/O	4 ingångar (in. E01–E04) 4 utgångar (ut. A01–A04)
I/O-uppdateringstid	Max. 5 ms
Nätverksavstånd	Max. 100 m
Extern strömförsörjning	Typiskt 30,5 V= (strömförsörjning för AS-gränssnitt)
Strömförbrukning, extern strömförbrukning	40 mA eller mindre
EG-direktiv	EMC
Uppfyller	AS-gränssnittscertifiering

Tabell 9.2: Programvarudata, kommunikation

Funktion	Innehåll
Stationsnummer	Anges från masterstation (fabriksinställning 0)
I/O-kod	7
ID-kod F	F
Databit	D0-D3 ingång/utgång 01–04 (E01–E04, A01–A04)
Parameterbit	P0 Kommunikationsövervakning (standardinställd). *1
	P1, P2, P3 Används inte
Systembit	M6 PÅ när kommunikationsfel för AS-gränssnitt uppkommer.
	M7 PÅ när kommunikationsfel för AS-gränssnittets strömförsörjning uppkommer.
Kontrollbit	N1 PÅ: Koppla bort från AS-gränssnittsnätverk. AV: Anslut till AS-gränssnittsnätverk.

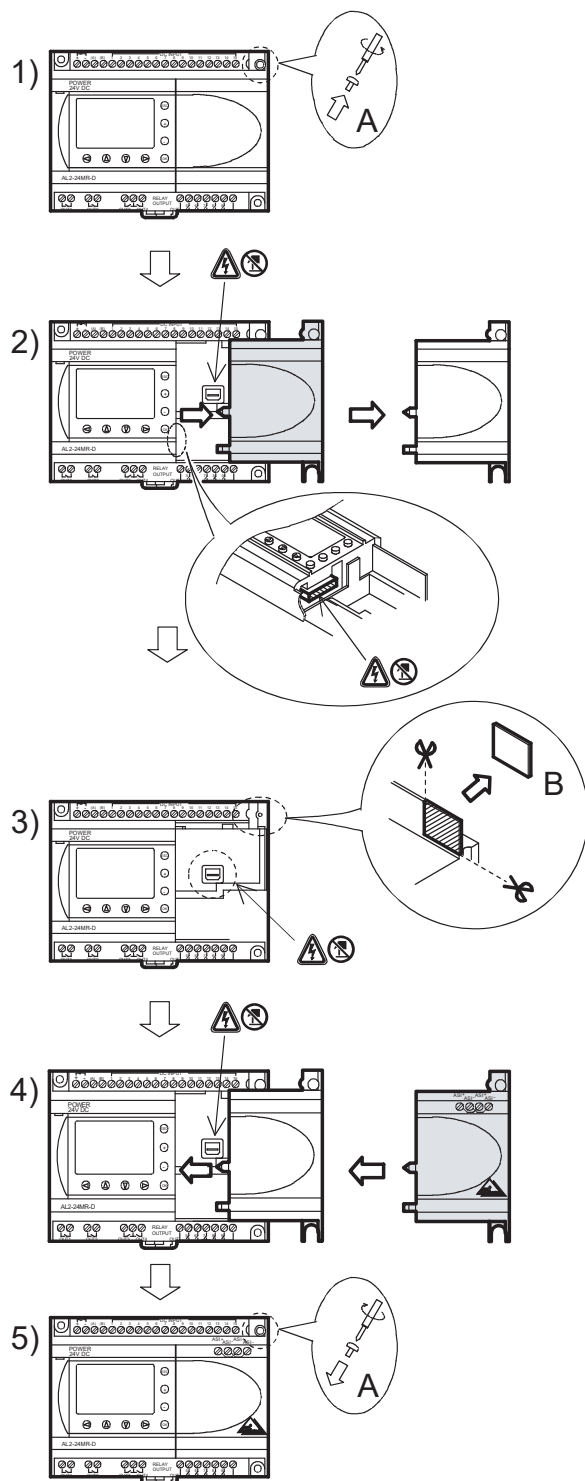
*1 Funktion för att återställa insignal (E01–E04) när kommunikationen med AS-gränssnittet bryts under 70 ms eller mer.

SWE

9.3 Kabelanslutning och Installation


9.3.1 Installation

Figur 9.3: Installation



- 1) Avlägsna och spara skruv A.
- 2) Avlägsna försiktigt det fabriksmonterade expansionsplatskyddet.
- 3) Skär bort sektion B av α2-styrenhetens huvudenhet.
- 4) Sätt tillbaka AL2-ASI-BD på huvudenheten.
- 5) Sätt tillbaka skruv A och dra åt med 0,4 N·m.

 : Risk för elektriska stötar.

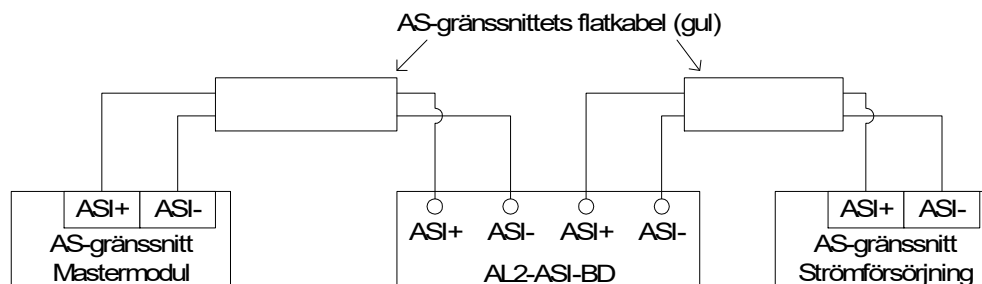
 : Rör inte direkt på strömförande delar av produkten.

9.3.2 Anslutning och kablage



Använd AS-gränssnittets flatkabel (gul) för att ansluta AL2-ASI-BD till nätverket. När du ansluter AS-gränssnittskabeln till modulen, skall du dra åt kommunikationsanslutningens skruvar med 0,5–0,6 N·m.

Figur 9.4: Anslutning och kablage



9.4 Slavadressinställning och diagnostik

9.4.1 Slavadressinställning

Adressen till AL2-ASI-BD måste ställas in från mastermodulen för AS-gränssnitt. Inställningsområdet för slavadress är 1 till 31. Nya moduler är förinställda till 0 vid leverans. Om en modul tidigare tilldelats någon annan adress än 0, måste den återställas till 0 innan den kan läggas till i ett nytt AS-gränssnittsnätverk.

I handboken för mastermodulen för AS-gränssnitt finns mer information om hur du ställer in stationsadress från AS-gränssnittsmastern.

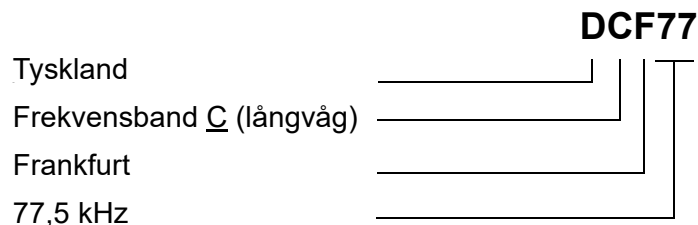
Många moduler kan läggas till samtidigt till nätverket. Alla utom en av dem skall vara satt till passivt läge (sätt N1 = 1). När nätverket spänningssatts kan modulerna aktiveras var för sig (sätt N1 = 0), där masterstationen tilldelar en slavadress.

9.4.2 Tillämpliga felkontroller

- 1) Om ett kommunikationsfel (M6) uppkommer:
 - Kontrollera anslutningarna till AS-gränssnittsmastern, samt att slavstationsnumret är korrekt.
- 2) Om strömförsörjningsfel för kommunikation (M7) uppkommer:
 - Kontrollera AS-gränssnittsbusskabelns anslutning vid berörda enheter. Kontrollera även strömförsörjningen till och funktionen hos AS-gränssnittet.

10. DCF77-radioklocka

Med DCF77-funktionen kan den integrerade klockan i α2-styrenheten ställas automatiskt. För detta mottags och dekoderas signaler som sänds på frekvens 77,5 kHz från en radiostation i närheten av Frankfurt am Main. "DCF77" är en förkortning för:



10.1 Översikt

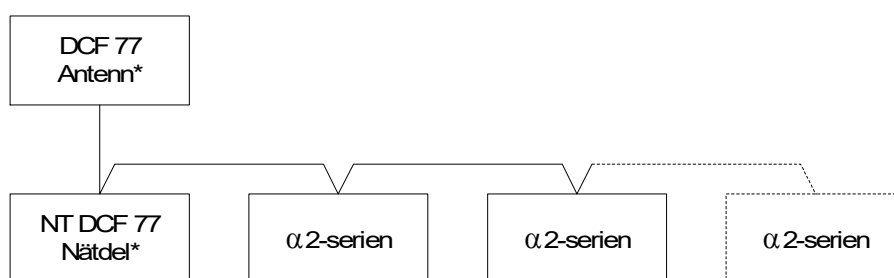
Tabell 10.1: Radioklocka

Funktion	Beskrivning
Sändarens läge	Mainflingen, 25 km söder om Frankfurt/Main
Frekvens	77,5 kHz
Räckvidd	2000 km
Kodering	BCD (binär-koderat-decimaltal)
Överförda data	data minuter, timmar, datum (dag,månad,år), veckodag
Sändningstid	dygnet runt

Vid början av varje sekund utom den 59:nde reduceras mediets amplitud till 25% under 100 ms (binär:0) eller 200 ms (binär:1).

10.2 Systemkonfiguration

Figur 10.1:



* tillverkare: Theben AG

Med styrenheterna i α2-serien måste en DCF77-antenn från firma Theben och minst en Theben-nättdel för antennens strömförsörjning användas.

Dekodern för α2-serien känner endast av signaler från en DCF77-antenn från firma Theben.

Nättdelen försörjer antennen med en likspänning på 12 V. Endast en nättdel från firma Theben kan användas till strömförsörjning och mottagande av DCF77-signaler.

Upp till 10 α2-styrenheter kan anslutas till en antenn/nättdel.

10.3 Tekniska data

För allmänna tekniska data, se kapitel 2.

Tabell 10.2: Theben DCF77-antenn

Funktion	Beskrivning
Beteckning	DCF77-antenn 907 0 243
Omgivningstemperatur	-20 - 70 °C
Kapslingsklass	IP 54
Känslighe	100 µV/m
Mottagningsområde	ca. 1000 km runt Frankfurt/Main
Anslutningskabelns längd	max. 200 m
Polaritet	Ingen



Viktigt

- För att undvika störningar från externa apparater skall Theben DCF77-antenn inte installeras i närheten av TV-apparater, datorer eller telefoncentraler.

Tabell 10.3: Theben nätdel

Funktion	Beskrivning
Beteckning	nätdel NT DCF 77 907 0 182
Driftspänning	230 V~ +/-10 %
Frekvens	50-60 Hz
Effektförbrukning	max. 3 VA
Nätkabelns längd	max. 200 m (tvåtrådig kabel)
Max. antal apparater	10
Kapslingsklass	II enligt EN 60335
Kapslingsklass	IP20 enligt EN 60529

Tabell 10.4: Kompatibla versioner

SPS och programmeringsgränssnitt	Kompatibel version
α2-serien (endast likströmsversionen)	V2.00 eller nyare
VLS-maskinvara	V2.30 eller nyare

SWE



Viktigt

- En α2-styrenhet som är direkt ansluten till och drivs med växelspanning kan inte användas till att ta emot DCF77-signaler.
- För dekodering kan DCF77-signaler endast anslutas till de analoga utgångarna på en α2-styrenhet med likspänningsförsörjning..

Tabell 10.5: Använda system-bits

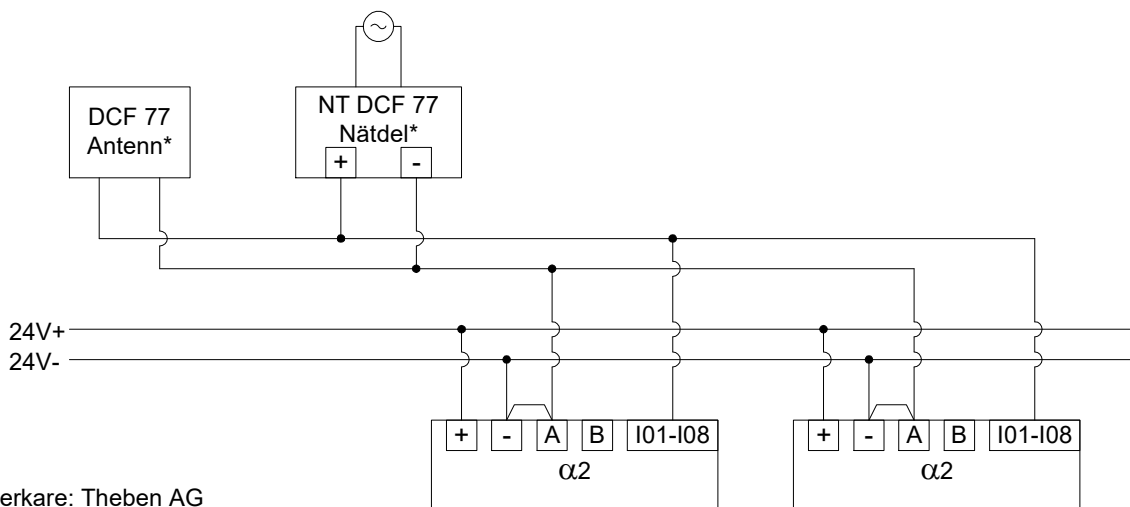
Funktion		Beskrivning
System-Bit	M10	Aktiveras under dekoderingen av DCF77-signaler
	M11	Efter korrekt avslutad dekodering av DCF77-signaler ges denna system-bit ut som impuls.
	M15	När ett fel uppstår vid dekoderingen av DCF77-signaler, aktiveras denna system-bit.

För närmare information om programmering, se programmeringshandböckerna för styrenheterna i α2-serien.

10.4 Anslutning

10.4.1 Kablage

Figur 10.2: Anslutning av DCF77-antenn och nätdel



Kablarna för styrenheterna i α2- serien måste vara i "Source"-konfiguration. Vid annan anslutning sker ingen registrering och dekodering av DCF77-signalerna vid de analoga ingångarna.

Tabell 10.6: Förutsättningar för anslutning

Funktion	Beskrivning
Kompatibla ingångar för α2-styrenhet för antenssignaler	AL2-10MR-D: I01 - I06 AL2-14MR-D,AL2-24MR-D: I01 - I08
Antal α2-styrenheter per DCF77-antenn	10
Max. kabellängd till antenn	200 m

10.4.2 Installation av DCF77 från α2-displayen

1) Från huvudmenyn rullar du till "Klockinst." och trycker på "OK"-tangenter. Bland de olika alternativen som visas rullar du till "Radioklock" och trycker på "OK"-tangenter. Om den radiostyrda klockan inte aktiverats visas endast ett alternativ. Rulla till "Radioklock" och tryck på "OK"-tangenter.

```
Radioklock
» Radioklock
```

2) Bland de alternativ som visas rullar du till "DCF77" och trycker på "OK"-tangenter.

```
Radioklock
» Används Ej
   DCF77
```

3) Välj den analoga α2-ingång (I01-I08) som bär DCF77-antennsignalen. Fler alternativ visas nu i Radiostyrda klockanmenyn. Rulla till "Ingång" och tryck på "OK"-tangenter.*1

```
Radioklock
Radioklock
» Ingång
   Tidskilln.
```

4) Mata in den analoga ingången (I01-I08) med tangenterna +, - och tryck sedan på "OK"-tangenter.

```
Radioklock
Ingång
   I01
```

5) Justera för tidsskillnaden mellan Frankfurt, Tyskland och kontrollerns belägenhet. Detta värde läggs till den mottagna tiden. Rulla till "Tidskilln." och tryck sedan på "OK"-tangenter.

```
Radioklock
Radioklock
Ingång
» Tidskilln.
```

6) Älj tidsskillnad i halvtimmessteg med tangenterna +, -. Tryck på "OK"-tangenter för att välja aktuell tidsskillnad.

```
Radioklock
Tidskilln.
   0.0hrs
```

7) Avkodningen av tidssignalen kan startas eller stoppas manuellt. Rulla till "Handdrift" och tryck sedan på "OK"-tangenter.

```
Radioklock
Ingång
Tidskilln.
» Handdrift
```

8) Tryck på "OK"- eller "ESC"-tangenter för att exekvera eller avbryta.

```
Handdrift
Stopp Akt.

OK e. ESC
```

Anmärkning

*1 α2-kontrollern kommer att växla mellan "Ej signal" och "Radioklock" om DCF77-signalen inte mottas och avkodas.

10.4.3 Automatisk start

Avkodningsfasen för DCF77 Radiostyrda klockan startas automatiskt om följande villkor är uppfyllda:

- 1) α2-realtidsklockan (RTC) når 1:00 fm.
- 2) α2-realtidsklockan (RTC) orsakar ett fel efter tillslagning av kontrollern.

10.4.4 Automatiskt stopp

Avkodningsfasen för DCF77 Radiostyrda klockan stoppas automatiskt om följande villkor är uppfyllda:

- 1) α2-realtidsklockan (RTC) har konfigurerats korrekt och en giltig tid har mottagits
- 2) Ingen giltig tid har mottagits trots omförsök under 30 minuter.

10.4.5 Verifiering av mottagen tid

Giltigheten för den avkodade tiden hos DCF77 Radiostyrda klockan kontrolleras avseende tre punkter:

- 1) Paritetskontroll – Tidkodsdatarutan hos DCF77 skyddas av 3 (jämna) paritetsbitar. Den första paritetsbiten skyddar minutdata, den andra timdata och den tredje dag-, veckodag-, månad- och årdata.
- 2) Kontroll av dataomfång –
 - a) $0 \leq \text{minuter} \leq 59$
 - b) $0 \leq \text{timmar} \leq 23$
 - c) $1 \leq \text{dagar} \leq 31$
 - d) $1 \leq \text{månader} \leq 12$
 - e) $0 \leq \text{år} \leq 59$
- 3) Kontroll av tidsskillnad – Skillnaden mellan två mottagna tidsrutor måste vara lika med 1 minut. På så sätt refereras den totala tiden (i minuter från 1990/01/01) för varje ruta.



Obs!

- När "Start Akt." används för att starta DCF77-avkodningen manuellt, måste användaren kontrollera status för M10 (aktiv flagga, avkodning) 30 minuter efter start av avkodning. Om M10 är frånslagen slutfördes DCF77-avkodningen utan fel. Om M10 fortfarande är på, förekommer det problem med antingen kablaget eller signalens tillgänglighet på användningsplatsen. Användaren bör kontrollera bägge dessa möjliga orsaker.

Anteckningar

SWE

11. AL2-2DA (AL2-14MR-*, AL2-24MR-*)

Den analoga utgångsmodulen AL2-2DA används med en α2-styrenhet för att ge ut spänning eller ström vid två analoga utgångar.

Ytterligare information finns i programmeringshandböckerna för α2-serien och installationshandboken för den analoga utgångsmodulen AL2-2DA.



Viktigt

- Den elektriska installationen i instrumenten får endast utföras av utbildad och kompetent personal med erforderlig kännedom om lokala och nationella säkerhetsbestämmelser och standarder inom automatiseringstekniken.
- Styrenheterna i α2-serien är inte avsedda för att användas i livsbevarande eller självkontrollerande syfte.
- MITSUBISHI ELECTRIC är under inga omständigheter ersättningsskyldigt eller ansvarigt för följskador som uppstått till följd av felaktig installation eller användning av apparaterna eller tillbehöret.
- För att undvika felfunktioner tillse en korrekt installation av AL2-2DA med styrenheterna i α2-serien.

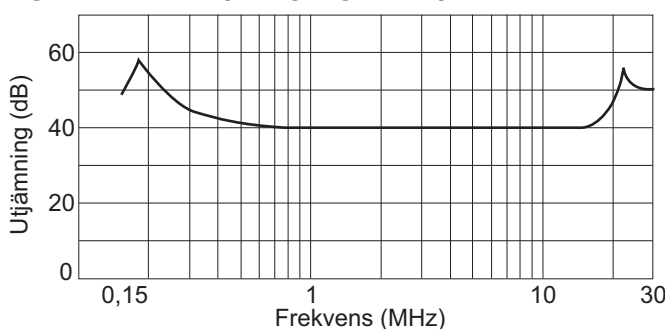


Försiktighetsmått i enlighet med EMC

Denna analoga modul ur Mitsubishi Electrics α2-serie uppfyller kraven för ovannämnda regelverk med europeiska standarder och direktiv. Mitsubishi Electric vill dock (för bästa möjliga prestanda hos dessa känsliga mätungs- och kontrollerutrustningar) anmärka på följande:

- Eftersom analoga moduler är mycket känsliga, bör du vara försiktig då du använder dem. Användare av leverantörsspecifika kablar (integrerade med sensorer och styrdon), skall iaktta tillverkarens installationskrav.
- Mitsubishi Electric rekommenderar att du använder skärmade kablar. Om inget annat EMC-skydd tillhandahålls kan användaren räkna med tillfälliga fel som inte överstiger +10 %/-10 % i mycket tung industriell miljö. Mitsubishi Electric vill dock påstå att om lämpliga försiktighetsåtgärder och allmänt bruk i enlighet med EMC iakttas avseende användarnas fullständiga styrsystem, kan dessa förvänta sig normala fel såsom de anges i respektive produkthandbok.
- Montera ett nätfilter vid inkommande spänningsmatning. Mitsubishi's EMC-tester har utförts med ett standardnätfilter (figur 11.1) dvs 50 dB som medelvärde vid 150kHz till 2 MHz.

Figur 11.1: Dämpningsegenskaper för bullerfiltret



11.1 Översikt

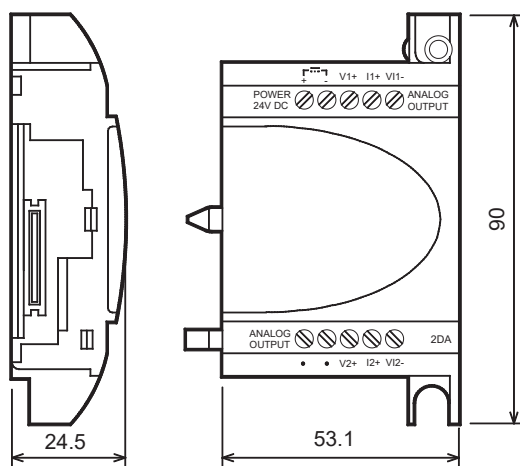
Den analoga utsändningsmodulen AL2-2DA (som herefter kallas "AL2-2DA") skall installeras på en kontroller ur α2-serien och användas för omvandling av ett digitalt värde till en analog spännings- (0-10 V) eller strömutsignal (4-20 mA).

AL2-2DA kan användas med funktionsblock "analog utgång" (AO) i α2-styrenheten. Ytterligare information om programmering finns i programmeringshandböckerna till α2-styrenheten.

11.1.1 Yttre mått

Figur 11.2: Yttre mått

enhet: mm



11.1.2 Systemkonfiguration

För allmänna tekniska data, se kapitel 2.

Tabell 11.1: Kompatibla versioner

SPS och programmeringsgränssnitt	Kompatibel version
AL2-14MR-*,AL2-24MR-*	V2.00 eller nyare
VLS-maskinvara	V2.30 eller nyare

SWE



Obs

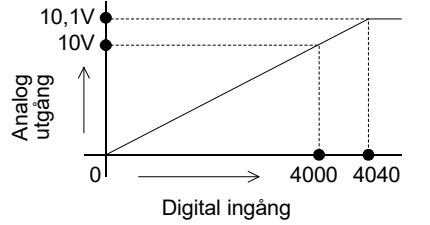
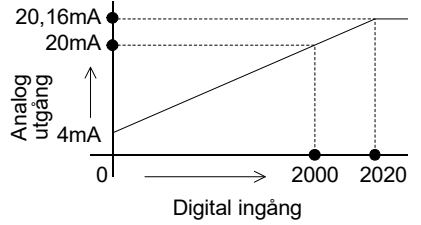
- 1) Till en α2-styrenhet kan endast en AL2-2DA anslutas och endast en utbyggnadsmodul kan användas tillsammans med huvudenheten.
- 2) Das AL2-2DA kan inte användas tillsammans med en AL2-4EX-A2, AL2-4EX, AL2-ASI-BD, AL2-4EYR eller AL2-4EYT.
- 3) AL2-2DA kan inte anslutas till en α-styrenhet.

11.2 Tekniska data

Tabell 11.2: Spänningsförsörjning

Funktion	Beskrivning
Intern spänningsförsörjning	från α2-huvudenhet
Försörjning av analogutgångarna	24 V DC (+20 %, -15 %)
Maximal effektförbrukning	1,5 W
Säkring <Klassificering>/<Typ>	86 V DC 1,6 A / Tillströmning-tålighet

Tabell 11.3: Tekniska data för hårdvara

Funktion	Tekn. data	
	Spänning	Ström
Analogt utgångsområde	0 - 10 V DC (Extern last: 5 kΩ - 1 MΩ)	4 - 20 mA (Extern last: < 500 Ω)
Digital ingång	0 till 4000	0 till 2000
Upplösning	2,5 mV (10 V / 4000)	8 μA ((20-4) mA / 2000)
Noggrannhet	+/- 1% över hela området (0 - 10 V: +/- 0,1V)	+/- 1% över hela området (4 - 20 mA: +/- 0,16 mA)
Omvandlingstid	20 ms (10 ms x 2k)	
Isolering	genom optokopplare	
Konverteringskaraktistik		



Obs

- Vid ett externt lastmotstånd på 5 kΩ till 1 MΩ uppgår noggrannheten till "+/- 1 %". (Fabrikskalibreringspunkten är 10 kΩ, extern last)
Om lastmotståndet är mindre än 5 kΩ, blir utspänningen lägre än korrekt värde.
- Vid uttag av ström får lastmotståndet inte vara högre än 500 Ω.
Överskrider lastmotståndets värde 500 Ω, ligger utgångsströmmen under det korrekta värdet.

Tabell 11.4: Använda system-bits

Funktion	Beskrivning
System-Bit	M16 aktiveras när den externa strömförsörjningen i AL2-2DA är påslagen.

11.3 Installation och kablage

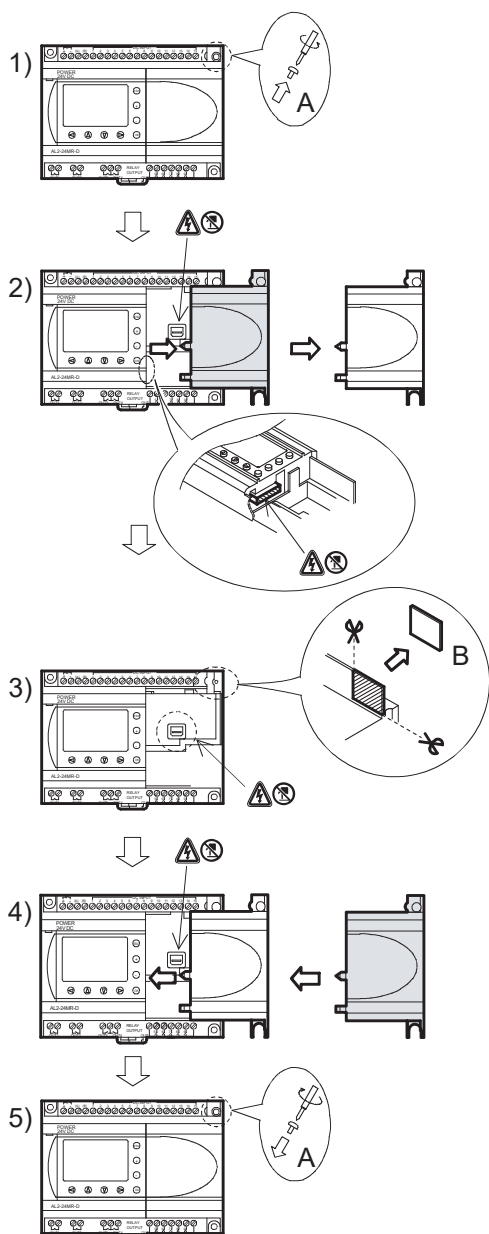
11.3.1 Installation



Viktigt

- Stäng av styrenhetens strömförsörjning innan du installerar AL2-2DA.
- Installera inte styrenheterna i områden med följande skadliga inverkan: mycket damm, ledande damm, korrosiv eller brännbar gas, fukt eller regn, stark värme, ständiga stötar eller kraftiga vibrationer.
- Styrenheter i α2-serien måste monteras in i ett elskåp enligt DIN 43880 eller en kopplingsbox.
- Lämna ett mellanrum på minst 10 mm mellan α2-styrenhetens under- och översida och elskåpets sidor för ventilation.

Figur 11.3: Installation



- 1) Avlägsna skruv "A".
- 2) Avlägsna försiktigt skyddet över utbyggnadsuttaget.
- 3) Skär bort sektion 'B' ur α2-styrenhetens basmodul.
- 4) Montera utbyggnadsmodulen på profilskenan.
- 5) Drag åt skruv 'A' med vridmoment 0,4 N·m.

: Risk för elektriska stötar.

: Rör inte direkt på strömförande delar av produkten.

SWE

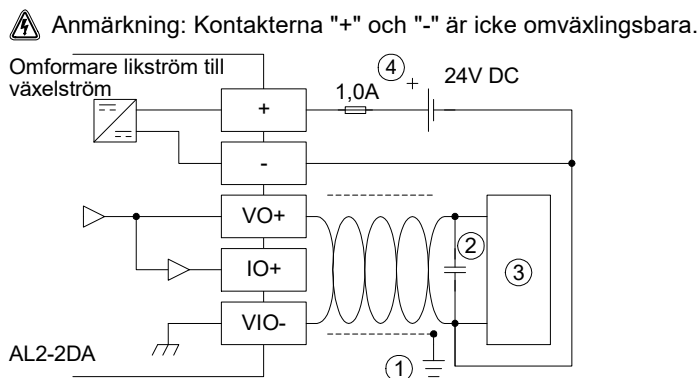
11.3.2 Kablage



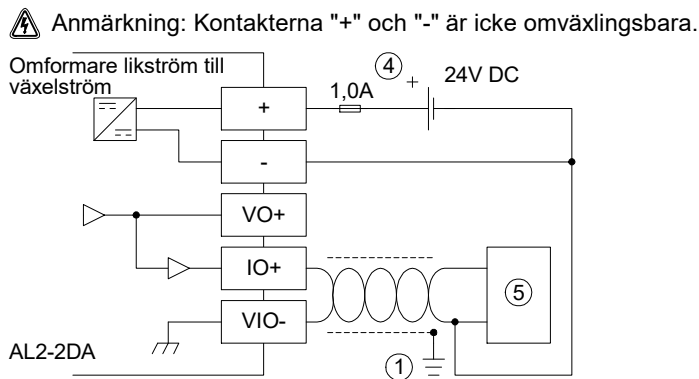
Viktigt

- Stäng av strömmen före elarbetet.
- Signalerna för de olika utgångarna skall inte ligga i samma flerledarkabel.
- Använd för anslutningen kablar med stela eller böjliga trådar (för crimp-anslutning) som är noggrant tvinnade.
Använd inte böjliga trådar med fastlödda ändar vid α2-styrenheten.
- Längden på ledningen för utgångssignalerna får inte vara längre än 30 m.
- För att undvika skador på trådarna, vrid åt plintskruvarna med 0,5 till 0,6 N·m an.
- Anslutningarna måste täckas för att undvika kontakt med strömförande delar.

Figur 11.4: Spänning



Figur 11.5: Ström



Tabell 11.5: Kablagenotering

Item	Description
1	Jordningsresistans 100 Ω eller mindre
2	Vid fall av uppenbart överskottsbrus, anslut en kondensator på 0,1-0,47 μF
3	Extern utrustning som t.ex. inverterare el.dyl
4	Extern 24 V likströmsförsörjning
5	Extern utrustning som t.ex. en inspelningsmätare el.dyl

11.3.3 Feldiagnos

Om ett fel vid den externa spänningsförsörjningen uppstår (M16):

- "Kontrollera om strömförsörjningen är korrekt ansluten till "+"- och ""-"-plintarna på AL2-2DA."
- "Mät spänningen från den anslutna strömkällan. AL2-2DA måste förses med en likspänning på 24 V."

12. AL2-2PT-ADP

PT100-adapter-modul AL2-2PT-ADP omvandlar signalen från en PT100-temperatursensor till en spänning på 0 till 10 V för vidare bearbetning i huvudenheten. Ytterligare information finns i installationshandboken för AL2-2PT-ADP.



Viktigt

- Den elektriska installationen i instrumenten får endast utföras av utbildad och kompetent personal med erforderlig kännedom om lokala och nationella säkerhetsbestämmelser och standarder inom automatiseringstekniken.
- Styrenheterna i α2-serien är inte avsedda för att användas i livsbevarande eller självkontrollerande syfte.
- MITSUBISHI ELECTRIC är under inga omständigheter ersättningskyldigt eller ansvarigt för följdskador som uppstått till följd av felaktig installation eller användning av apparaterna eller tillbehöret.



Försiktighetsmått i enlighet med EMC

Denna analoga modul ur Mitsubishi Electrics α2-serie uppfyller kraven för ovannämnda regelverk med europeiska standarder och direktiv. Mitsubishi Electric vill dock (för bästa möjliga prestanda hos dessa känsliga mättnings- och kontrollerutrustningar) anmärka på följande:

- Eftersom analoga moduler är mycket känsliga, bör du vara försiktig då du använder dem. Användare av leverantörsspecifika kablar (integrerade med sensorer och styrdon), skall iaktta tillverkarens installationskrav.
- Mitsubishi Electric rekommenderar att du använder skärmade kablar. Om inget annat EMC-skydd tillhandahålls kan användaren räkna med tillfälliga fel som inte överstiger +10 %/-10 % i mycket tung industriell miljö. Mitsubishi Electric vill dock påstå att om lämpliga försiktighetsåtgärder och allmänt bruk i enlighet med EMC iakttas avseende användarnas fullständiga styrsystem, kan dessa förvänta sig normala fel såsom de anges i respektive produkthandbok.

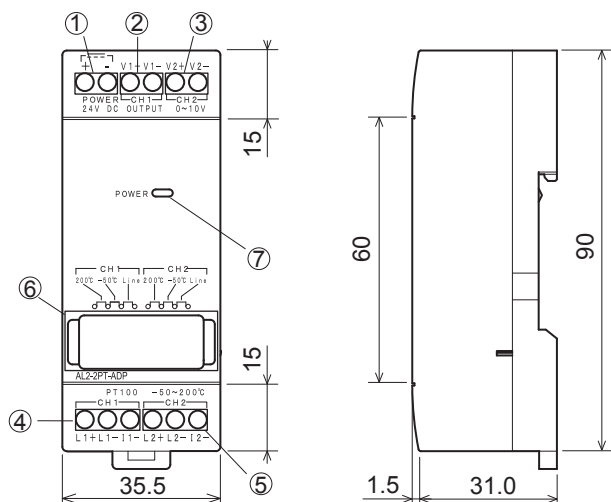
12.1 Översikt

PT100-adapter-modul AL2-2PT-ADP omvandlar signalen från en PT100-temperatursensor till en spänning på 0 till 10 V um, som bearbetas vidare i huvudenheten.

12.1.1 Yttre mått

Figur 12.1: Yttre mått

Enhet: mm

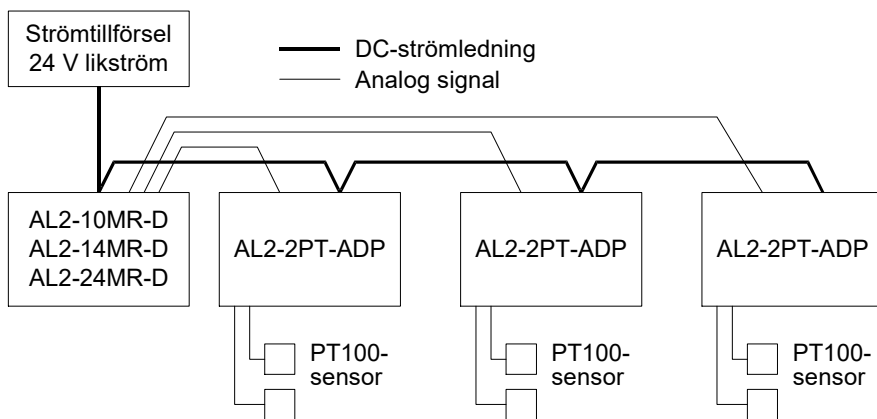


Tabell 12.1:

Item	Description
1	+24 V DC ingångsklämma
2	Kanal 1 spännings-utgångsklämma
3	Kanal 2 spännings-utgångsklämma
4	PT100-motståndstermometer, kanal 1
5	PT100-motståndstermometer, kanal 2
6	Jumper för inställning av modul
7	Power-LED för indikering av driftberedskap

12.2 Systemkonfiguration

Figur 12.2:



SWE

För allmänna tekniska data, se kapitel 2.

Tabell 12.2: Kompatibla versioner

SPS och programmeringsgränssnitt	Kompatibel version
α2-serien (endast likströmsversionen)	V2.00 eller nyare
VLS-maskinvara	V2.30 eller nyare



Obs

AL2-2PT-ADP kan inte anslutas till en styrenhet i α-serien.

12.3 Tekniska data

Tabell 12.3: Allmänna tekniska data

Funktion	Tekn. data
Temperatur i drift	(-25) - 55 °C
Förvaringstemperatur	(-30) - 70 °C
Luffuktighet	35 bis 85 % relativ luffuktighet, icke kondenserande
Vibrationstålighet vid montering på DIN-skens	Uppfyller IEC 68-2-6; 10 - 57 Hz: 0,075 mm konstant amplitud, 57 – 150 Hz: 9,8 m/s ² acceleration, Svep för X, Y, Z: 10 x (80 min. i alla 3 riktningar)
Stöttålighet	Uppfyller IEC 68-2-27: 147m/s ² acceleration för 11 ms, , 3 gånger i alla riktningar X, Y och Z
Brusokänslighet	1000 Vpp för 1µs, 30 - 100 Hz, testat med brussimulator
Spänningsstabilitet	500 VAC~ under en minut mellan alla plintar och DIN43880-kontrollboxen eller motsvarande.
Isolationsresistans	7 MΩ 500 VDC mellan alla plintar och DIN43880-fördelningsboxen eller motsvarande.
Driftmiljö	Fri från korrosiva gaser

Tabell 12.4: Strömförsörjning

Funktion	Tekn. data
Strömförsörjning	24 V DC (+20 %, -15 %)
Maximal effektförbrukning	1,0 W

Tabell 12.5: Överensstämmelse med normer och direktiv

Funktion		Norm/direktiv
EG-direktiv	EMC	EN61131-2: 2007
Certifiering av UL/cUL		Filnummer: E95239

Tabell 12.6: Tekniska data för hårdvara

Funktion	Tekn. data	
	Celsius (°C)	Fahrenheit (°F)
Temperatur-sensor	Pt-100 givare, PT100 (100 Ω), 3-ledaranslutning, Temperaturkoefficient: IEC 751	
Kompenserat område	-50 °C - 200 °C	-58 °F - 392 °F
Noggrannhet	±1,5 % (vid alla temperaturer) och ±1,0 % vid 25 °C	±1,5 % (vid alla temperaturer) och ±1,0 % vid 77 °F
Upplösning	0,5 °C	
Konverteringstid	20,5 ms	
Isolation	Ingen isolering mellan kanalerna (in/ut) och ström	
Konverterings-karakteristik		

Tabell 12.7: Använda system-bits

Funktion	Beskrivning	AL2-10MR-D	AL2-14MR-D AL2-24MR-D	
System-Bit	M17	Aktiveras vid ett sensorfel i I01	✓	✓
	M18	Aktiveras vid ett sensorfel i I02	✓	✓
	M19	Aktiveras vid ett sensorfel i I03	✓	✓
	M20	Aktiveras vid ett sensorfel i I04	✓	✓
	M21	Aktiveras vid ett sensorfel i I05	✓	✓
	M22	Aktiveras vid ett sensorfel i I06	✓	✓
	M23	Aktiveras vid ett sensorfel i I07	—	✓
	M24	Aktiveras vid ett sensorfel i I08	—	✓

SWE

12.4 Installation och kablage

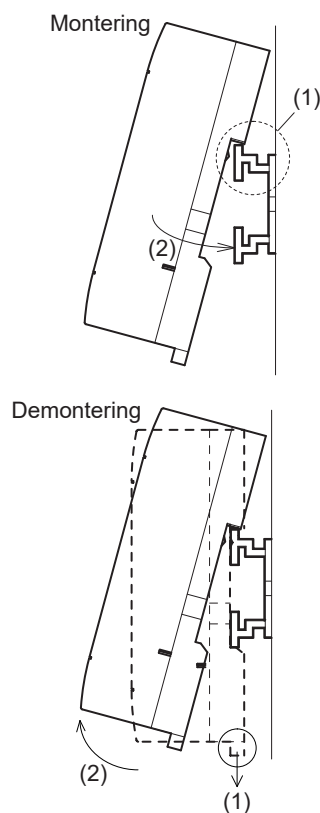
12.4.1 Installation



Viktigt

- Installera inte styrenheterna i områden med följande skadliga inverkan: omgivning med hög grad av ledande damm, korrosion, brännbar gas, hög luftfuktighet, regn, direkt solljus, stark värme, kraftiga chockvågor eller vibrationer.
- Anslutningarna måste vara täckta för att förhindra personskador efter kontakt med strömförande ledare.
- Montera in styrenheter i α2-serien och AL2-2PT-ADP i ett elskåp enligt DIN 43880 eller i en kopplingsbox. Säkra AL2-2PT-ADP med ett skydd mot infallande skräp.
- Lämna ett ventilationsutrymme på minst 10 mm mellan under- och översidan på AL2-2PT-ADP och andra apparater.
- Maximalt avstånd mellan α2-seriens kontroller och AL2-2PT-ADP skall vara 3 m eller mindre.
- Strömkabelns längd skall vara mindre än 10 m.
- En sensor med isolering för 500 V eller mer skall användas när sensorn skall placeras nära konduktivt material.

Figur 12.3: Installation



Modulen kan monteras på en DIN-skena (35 mm, DIN EN 50022). För att lossa enheten från skenan drag i de fjäderbelastade reglarna och lyft av modulen från skenan.

- 1) Montering
Placera AL2-2PT-ADP med den övre sidan på DIN-skenan (1) och tryck fast moduken på skenan (2).
- 2) Demontering
Drag regeln nedåt (1) och lyft bort AL2-2PT-ADP.

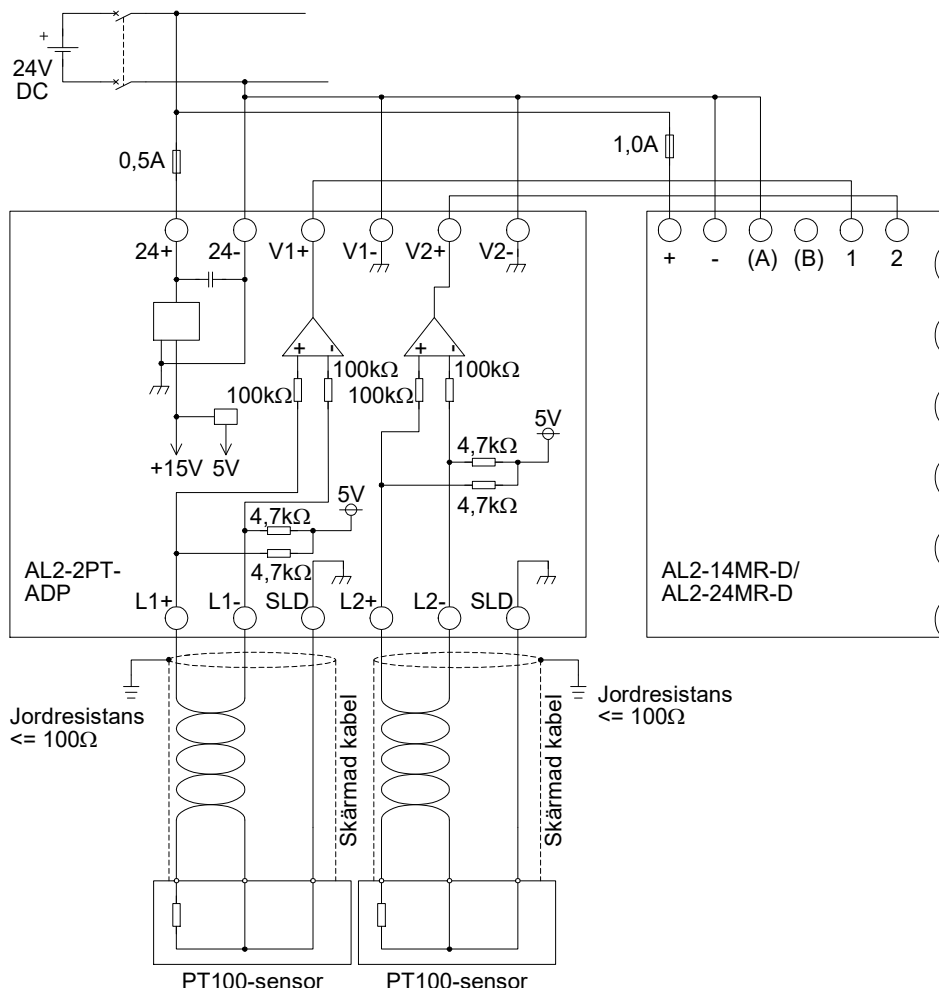
12.4.2 Kablage



Viktigt

- Använd en isolerad nätdel och stäng av strömförsörjningen innan du utför kabelarbetet.
- In- och utgående kablar skall inte dela samma ledare eller ligga i samma flerledarkabel.
- Längden på kablarna för ingångssignaler (från sensor till AL2-2PT-ADP) får inte vara längre än 10 m och kablarna för utgångssignalerna inte längre än 3 m.
- Använd för anslutningen kablar med stela eller böjliga trådar (för crimp-anslutning) som är noggrant tvinnade.
Anslut inga böjliga trådar med fastlödda ändrar vid AL2-2PT-ADP.
- Vrid plintskruvarna med ett vridmoment på 0,5 till 0,6 N·m, för att undvika skador på trådarna.
- Stäng av strömmen före kablaget för inställning av offset och förstärkning vid AL2-2PT-ADP.

Figur 12.4:



SWE

12.4.3 Val av måttenhet för temperaturen

1) Slå på strömförsörjningen för α 2-styrenheten och gå till "Övrigt" i huvudmenyn.

```
Huvudmeny
Klockinst.
LANGUAGE
»Övrigt...
```

2) Välj "Analog In" i meny "Övrigt".

```
Övrigt...
Seriekom.
Belysn.tid
»Analog In
```

3) I meny "Analog In" trycker du på "Temp. skala".

```
Analog In
I07
I08
»Temp. skala
```

4) Välj mellan "Celsius" och "Fahrenheit" med OK-knappen.

```
Analog In
Temp. skala
»Celsius
Fahrenheit
```



Måttenheten kan nu väljas gemensamt för båda kanalerna.



Värdena i kalibreringsmenyn visas i Celsius oberoende av den valda måttenheten, eftersom kontakterna i jumpern i AL2-2PT-ADP är försedda med text i denna enhet.

12.4.4 Offsetavstämning



Anmärkning

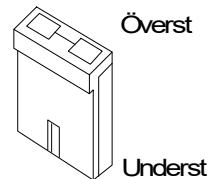
Om justeringen av förstärkningen är färdig, behöver du inte utföra steg 3 - 7.

- 1) Stäng av strömtillförseln till α2-styrenheten och AL2-2PT-ADP före kalibreringen av kanal 1, lossa temperaturgivaren och anslut L1- med I1-. L1+ beläggs inte.
- 2) Avlägsna skyddet på jumper och sätt den på kontakterna som är markerade med "-50 °C" (se bild nedan).



Obs!

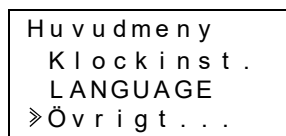
Bygeln skall installeras på rätt sätt, annars kan den elektriska kontakten utebli.



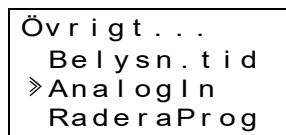
Figur 12.5: Avstämning av offset för AL2-2PT-ADP



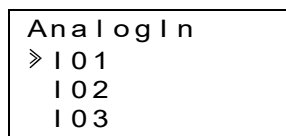
- 3) Slå på styrningen och välj meny "Övriga"; PLC är inte aktiverad.



- 4) Välj "Analog In" i meny "Övrigt".

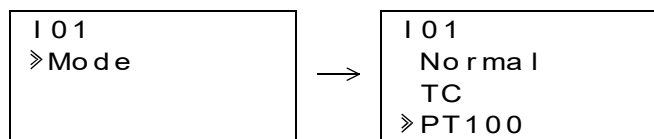


- 5) Välj den ingång som AL2-2PT-ADP är ansluten till.

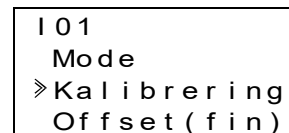


SWE

- 6) Konfigurera ingången för temperaturmätningen med AL2-2PT-ADP genom att välja "Mode" och därefter "PT100".

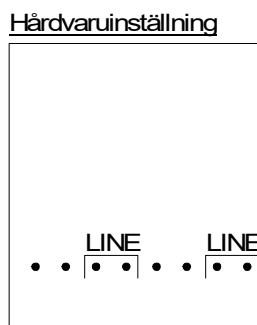


- 7) Efter inställning av "PT100", välj "Kalibrering" i meny "Analog In".



- 8) Välj "-50°C" i meny "Calibrate" (se bild 12.5). Nu skall meddelandet "OK" visas på displayen. Är detta inte fallet, följ anvisningarna om feldiagnos i kapitel 12.4.7. Därmed är offset-avstämningen för kanal 1 avslutad. För att avstämma offset för kanal 2, upprepa ovanstående instruktioner, men anslut L2- med I2-. L2+ beläggs inte. Efter kalibreringen sätts jumpern på "LINE"-kontakterna:

Figur 12.6: Jumpers läge efter kalibreringen



Efter avstämningen av offset måste även förstärkningen avstämmas. Detta beskrivs i följande kapitel.

12.4.5 Avstämning av förstärkningen

Anmärkning

Om justeringen av förskjutningen är färdig, behöver du inte utföra steg 3 - 4.

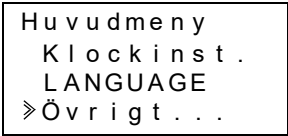
- 1) Slå från strömmen till α2-styrenheten och AL2-2PT-ADP före kalibreringen av kanal 1, lossa temperaturgivaren och anslut L1- med I1-. Anslut inget till L1+.

- 2) Avlägsna skyddet från jumpern och stick in på kontakterna som är markerade med "200°C", se bild nedan.

Figur 12.7: Avstämning av förstärkningen för AL2-2PT-ADP



- 3) Koppla in styrningen och välj meny "Övrigt"; PLC är inte aktiverad.

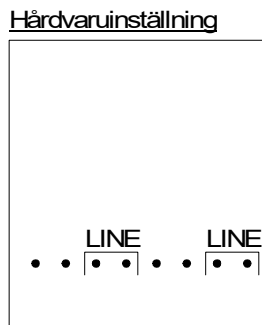


- 4) Sedan du valt PT100-modus (se beskrivning av offset-avstämning), välj "Calibrate" i meny "Analog In".



- 5) Välj "200 °C" i meny "Calibrate" (se bild 12.5). Nu skall meddelandet "OK" visas på displayen. Är detta inte fallet, följ anvisningarna om feldiagnos i kapitel 12.4.7. Därmed är förstärkningsavstämningen för kanal 1 avslutad. För att avstämning för kanal 2, upprepa ovanstående instruktioner, men anslut L2- med I2-, L2+ beläggs inte. Efter kalibreringen sätts jumpern på "LINE"-kontakterna:

Figur 12.8: Jumpers läge efter kalibreringen



Efter avstämningen av förstärkningen måste även offset avstämmas. Detta beskrivs i kapitel 12.4.4.

SWE

12.4.6 Finavstämning av offset



Finavstämningen skall endast göras efter avstämningen av offset och förstärkningen

- 1) Välj meny "Övrigt" i huvudmenyn.

```
Huvudmeny
Klockinst.
LANGUAGE
» Övrigt...
```

- 2) Välj "Analog In" i meny "Övrigt".

```
Övrigt...
Belysningstid
» AnalogIn
RaderaProg
```

- 3) I meny "Analog In" väljer du en ingång som är konfigurerad som PT100-ingång

```
AnalogIn
I01
» I02: PT100
I03: TC
```

- 4) I menyn för inställning av de analoga ingångarna välj "Offset(fin)".

```
I02
Modo
Kalibrering
» Offset(fin)
```

- 5) Mata med "+"- och "-"-knapperna in ett värde mellan -15,5 °C och 15,5 °C (-27,9 °F och 27,9 °F). Avsluta finavstämningen med "OK"-knappen efter inmatningen.

```
I02
Offset(fin)
0.0 °C
```

12.4.7 Feldiagnos

Är ingångsspänningen större än 11 V eller lika med 0 V, ställs följande system-bits in:

Tabell 12.8:

System-Bit	Beskrivning	AL2-10MR-D	AL2-14MR-D AL2-24MR-D
M17	0: ingen fel 1: sensorfel i I01	✓	✓
M18	0: ingen fel 1: sensorfel i I02	✓	✓
M19	0: ingen fel 1: sensorfel i I03	✓	✓
M20	0: ingen fel 1: sensorfel i I04	✓	✓
M21	0: ingen fel 1: sensorfel i I05	✓	✓
M22	0: ingen fel 1: sensorfel i I06	✓	✓
M23	0: ingen fel 1: sensorfel i I07	—	✓
M24	0: ingen fel 1: sensorfel i I08	—	✓

Är en av de ovanstående system-bits aktiverad, kontrollera

- om temperaturgivare är ansluten.
- om ledningen till temperaturgivaren är avbruten.
- att temperaturen ligger inom det tillåtna området.
- att AL2-2PT-ADP får ström.

Om meddelandet "Error" visas i stället för "OK" under offset-/gainkalibrering, kontrollera

- Strömmen är ansluten till AL2-2PT-ADP.
- AL2-2PT-ADP är korrekt ansluten till α2.
- Ingången som ansluter AL2-2PT-ADP är avsedd för kalibrering.
- AL2-2PT-ADP ingångarna L1- och I1- är förkortade.
- Jumperkabeln är placerad antingen i position "-50 °C" eller position "200°C".
- Ingången i kalibreringsmenyn som hör ihop med jumperkabelns läge är vald ("-50°C" eller "200°C")

SWE

13. AL2-2TC-ADP

Termoelement-adapter-modulen AL2-2TC-ADP omvandlar den med ett termoelement av typ K uppmätta temperaturen till en spänning på 0 till 10 V för vidare bearbetning i huvudenheten. Ytterligare information finns i installationshandboken för AL2-2TC-ADP.



Achtung

- Den elektriska installationen i instrumenten får endast utföras av utbildad och kompetent personal med erforderlig kännedom om lokala och nationella säkerhetsbestämmelser och standarder inom automatiseringstekniken.
- Styrenheterna i α2-serien är inte avsedda för att användas i livsbevarande eller självkontrollerande syfte.
- MITSUBISHI ELECTRIC är under inga omständigheter ersättningskyldigt eller ansvarigt för följdskador som uppstått till följd av felaktig installation eller användning av apparaterna eller tillbehöret.



Försiktighetsmått i enlighet med EMC

Denna analoga modul ur Mitsubishi Electrics α2-serie uppfyller kraven för ovannämnda regelverk med europeiska standarder och direktiv. Mitsubishi Electric vill dock (för bästa möjliga prestanda hos dessa känsliga mättings- och kontrollerutrustningar) anmärka på följande:

- Eftersom analoga moduler är mycket känsliga, bör du vara försiktig då du använder dem. Användare av leverantörsspecifika kablar (integrerade med sensorer och styrdon), skall iaktta tillverkarens installationskrav.
- Mitsubishi Electric rekommenderar att du använder skärmade kablar. Om inget annat EMC-skydd tillhandahålls kan användaren räkna med tillfälliga fel som inte överstiger +10 %/-10 % i mycket tung industriell miljö. Mitsubishi Electric vill dock påstå att om lämpliga försiktighetsåtgärder och allmänt bruk i enlighet med EMC iakttas avseende användarnas fullständiga styrsystem, kan dessa förvänta sig normala fel såsom de anges i respektive produkthandbok.

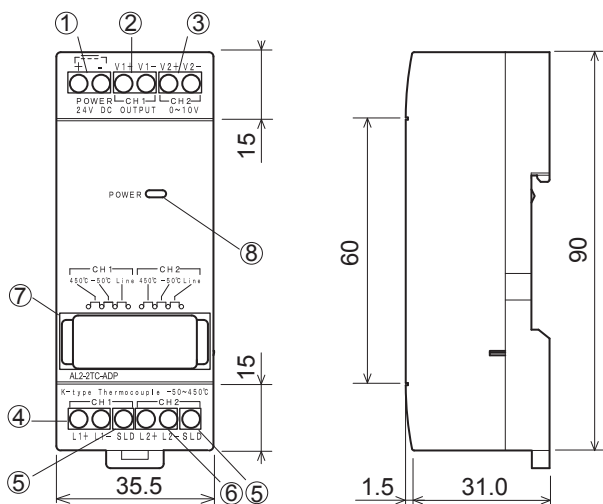
13.1 Översikt

Termoelement-adapter-modulen AL2-2TC-ADP har till uppgift att konvertera temperaturer till en spänning från 0 till 10 V. För mätningen av temperaturen används ett termoelement av typ K. Spänningsvärdet kan bearbetas vidare i huvudenheten

13.1.1 Yttre mått

Figur 13.1: Yttre mått

Eihet: mm

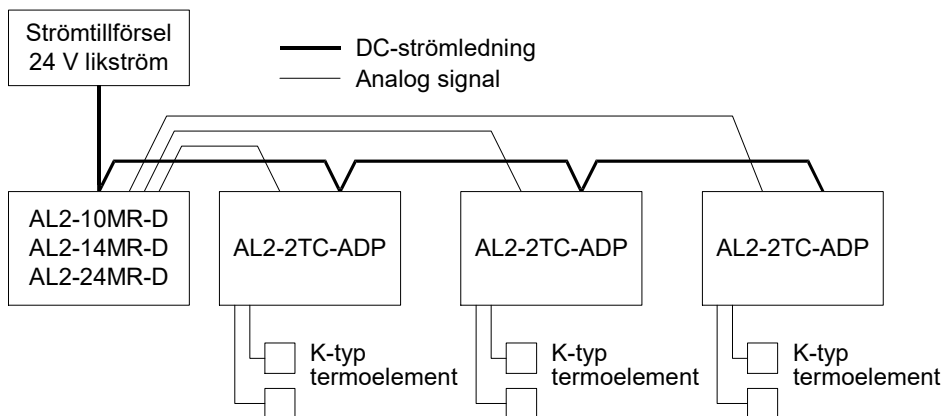


Tabell 13.1:

Item	Description
1	+24 V DC ingångsklämma
2	Kanal 1 spännings-utgångsklämma
3	Kanal 2 spännings-utgångsklämma
4	Kanal 1: Anslutning för termoelement typ K
5	Anslutning av massa för avskärmning
6	Kanal 2: Anslutning för termoelement typ K
7	Jumper för inställning av modul
8	Power-LED för indikering av driftberedskap

13.2 Systemkonfiguration

Figur 13.2:



SWE

För allmänna tekniska data, se kapitel 2.

Tabell 13.2: Kompatibla versioner

SPS och programmeringsgränssnitt	Kompatibel version
α2-serien (endast likströmsversionen)	V2.00 eller nyare
VLS-maskinvara	V2.30 eller nyare



Obs

AL2-2TC-ADP kan inte anslutas till en styrenhet i α-serien.

13.3 Tekniska data

Tabell 13.3: Allmänna tekniska data

Funktion	Tekn. data
Temperatur i drift	(-25) - 55 °C
Förvaringstemperatur	(-30) - 70 °C
Luffuktighet	35 bis 85 % relativ luffuktighet, icke kondenserande
Vibrationstålighet vid montering på DIN-skens	Uppfyller IEC 68-2-6; 10 - 57 Hz: 0,075 mm konstant amplitud, 57 – 150 Hz: 9,8 m/s ² acceleration, Svep för X, Y, Z: 10 x (80 min. i alla 3 riktningar)
Stöttålighet	Uppfyller IEC 68-2-27: 147m/s ² acceleration för 11 ms, , 3 gånger i alla riktningar X, Y och Z
Brusokänslighet	1000 Vpp för 1µs, 30 - 100 Hz, testat med brussimulator
Spänningsstabilitet	500 VAC~ under en minut mellan alla plintar och DIN43880-kontrollboxen eller motsvarande.
Isolationsresistans	7 MΩ 500 VDC mellan alla plintar och DIN43880-fördelningsboxen eller motsvarande.
Driftmiljö	Fri från korrosiva gaser

Tabell 13.4: Strömförsörjning

Funktion	Techn. Daten
Strömförsörjning	24 V DC (+20 %, -15 %)
Maximal effektförbrukning	0,5 W

Tabell 13.5: Överensstämmelse med normer och direktiv

Funktion		Norm/direktiv
EG-direktiv	EMC	EN61131-2: 2007
Certifiering av UL/cUL		Filnummer: E95239

Tabell 13.6: Tekniska data för hårdvara

Funktion	Tekn. data	
	Celsius (°C)	Grad Fahrenheit (°F)
Temperatur-sensor	Isolerat termoelement typ K (IEC 584-1 1977, IEC 584-2 1982)	
Kompenserat område	-50 °C - 450 °C	-58 °F - 842 °F
Noggrannhet	±2,0 % (vid alla temperaturer) och ±1,5 % vid 25 °C	±2,0 % (vid alla temperaturer) och ±1,5 % vid 77 °F
Upplösning	1 °C	
Konverteringstid	20,5 ms	
Isolation	Ingen isolering mellan kanalerna (in/ut) och ström	
Konverteringskaraktistik		

Tabell 13.7: Använda system-bits

Funktion	Beskrivning	AL2-10MR-D	AL2-14MR-D AL2-24MR-D	
System-Bit	M17	Aktiveras vid ett sensorfel i I01	✓	✓
	M18	Aktiveras vid ett sensorfel i I02	✓	✓
	M19	Aktiveras vid ett sensorfel i I03	✓	✓
	M20	Aktiveras vid ett sensorfel i I04	✓	✓
	M21	Aktiveras vid ett sensorfel i I05	✓	✓
	M22	Aktiveras vid ett sensorfel i I06	✓	✓
	M23	Aktiveras vid ett sensorfel i I07	—	✓
	M24	Aktiveras vid ett sensorfel i I08	—	✓

SWE

13.4 Installation och kablage

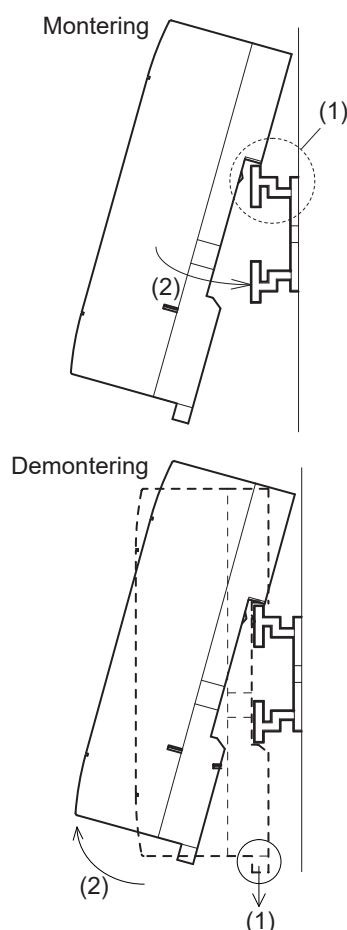
13.4.1 Installation



Viktigt

- Installera inte styrenheterna i områden med följande skadliga inverkan: omgivning med hög grad av ledande damm, korrosion, brännbar gas, hög luftfuktighet, regn, direkt solljus, stark värme, kraftiga chockvågor eller vibrationer.
- Anslutningarna måste vara täckta för att förhindra personskador efter kontakt med strömförande ledare.
- Montera in styrenheter i α2-serien och AL2-2TC-ADP i ett elskåp enligt DIN 43880 eller i en kopplingsbox. Säkra AL2-2TC-ADP med ett skydd mot infallande skräp.
- Lämna ett ventilationsutrymme på minst 10 mm mellan under- och översidan på AL2-2TC-ADP och andra apparater.
- Maximalt avstånd mellan α2-seriens kontroller och AL2-2PT-ADP skall vara 3 m eller mindre.
- Strömkabelns längd skall vara mindre än 10 m.
- En sensor med isolering för 500 V eller mer skall användas när sensorn skall placeras nära konduktivt material.

Figur 13.3: Installation



Modulen kan monteras på en DIN-skena (35 mm, DIN EN 50022). För att lossa enheten från skenan drag i de fjäderbelastade reglarna och lyft av modulen från skenan.

- 1) Montering
Placera AL2-2TC-ADP med den övre sidan på DIN-skenan (1) och tryck fast modulen på skenan (2).
- 2) Demontering
Drag regeln nedåt (1) och lyft bort AL2-2TC-ADP.

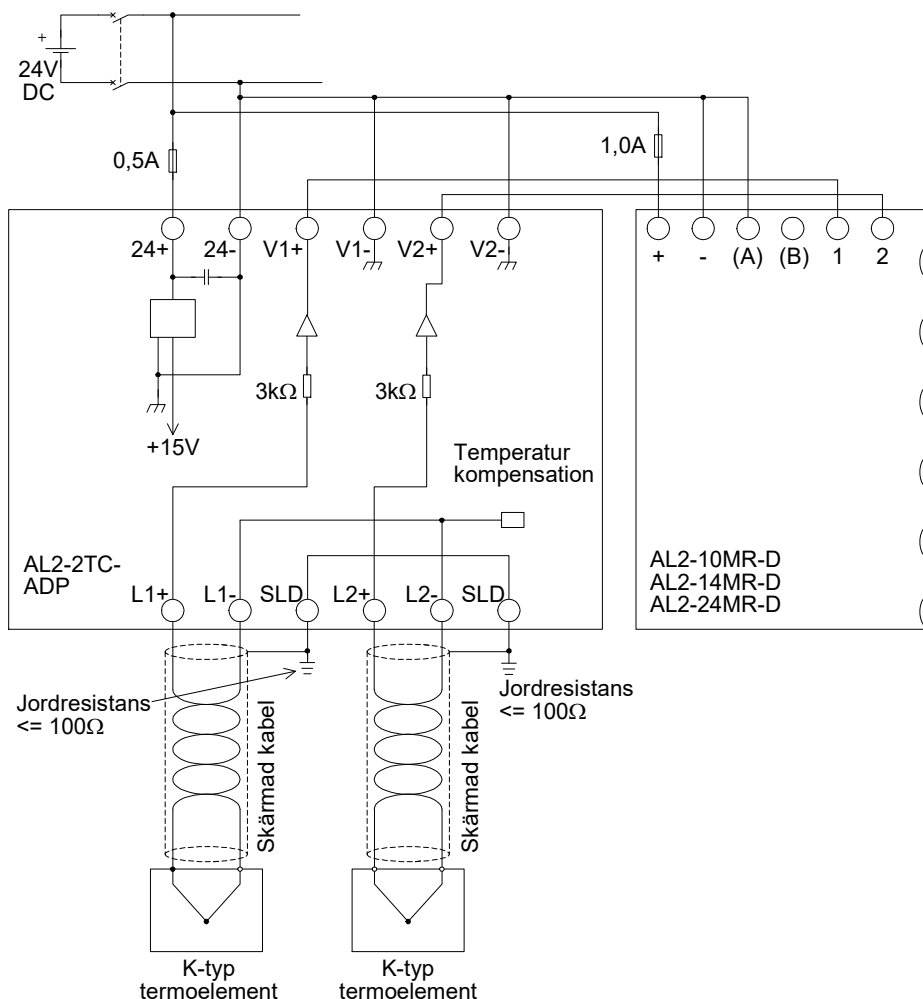
13.4.2 Kablage



Viktigt

- Använd en isolerad strömförsörjning och slå av strömmen innan du utför kablagearbete.
- In- och utgående kablar skall inte dela samma ledare eller ligga i samma flerledarkabel.
- Längden på kablarna för ingångssignaler (från sensor till AL2-2TC-ADP) får inte vara längre än 10 m och kablarna för utgångssignalerna inte längre än 3 m.
- Använd för anslutningen kablar med stela eller böjliga trådar (för crimp-anslutning) som är noggrant tvinnade.
Anslut inga böjliga trådar med fastlödda ändar vid AL2-2TC-ADP.
- Vrid plintskruvarna med ett vridmoment på 0,5 till 0,6 N·m, för att undvika skador på trådarna.
- Stäng av strömmen före kablaget för inställning av offset och förstärkning vid AL2-2TC-ADP.

Figur 13.4:



SWE

13.4.3 Val av måttenhet för temperaturen

1) Slå på strömförsörjningen för α2-styrenheten och gå till "Övrigt" i huvudmenyn.

```
Huvudmeny
Klockinst.
LANGUAGE
»Övrigt...
```

2) Välj "Analog In" i meny "Övrigt".

```
Övrigt...
Seriekom.
Belysn.tid
»Analog In
```

3) I meny "Analog In" trycker du på "Temp. skala".

```
Analog In
I07
I08
»Temp. skala
```

4) Välj mellan "Celsius" och "Fahrenheit" med Ok-knappen.

```
Analog In
Temp. skala
»Celsius
Fahrenheit
```



Måttenheten kan nu väljas gemensamt för båda kanalerna.



Värdena i kalibreringsmenyn visas i Celsius oberoende av den valda måttenheten, eftersom kontakterna i jumpern i AL2-2TC-ADP är försedda med text i denna enhet.

13.4.4 Offsetavstämning



Anmärkning

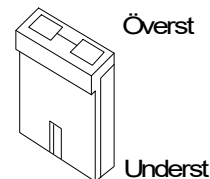
Om justeringen av förstärkningen är färdig, behöver du inte utföra steg 3 - 7.

- 1) Stäng av strömtillförseln till α2-styrenheten och AL2-2TC-ADP före kalibreringen av kanal 1, lossa termoelementet. Anslutningarna L1-, L1+ och SLD beläggs inte.
- 2) Avlägsna skyddet på jumpern och sätt den på kontakterna som är markerade med "-50 °C" (se bild nedan).

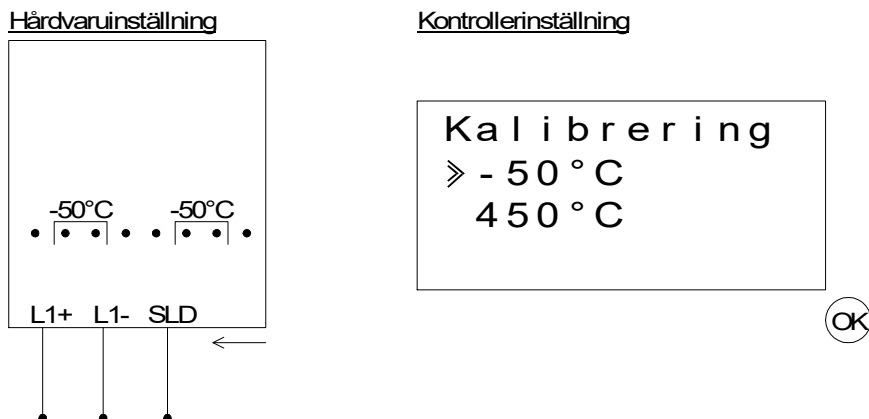


Obs!

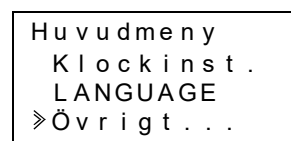
Bygeln bör installeras på rätt sätt, annars kan den elektriska kontakten utbebli.



Figur 13.5: Avstämning av offset för AL2-2TC-ADP

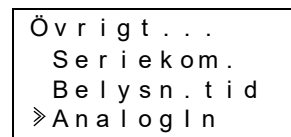


- 3) Slå på styrningen och välj meny "Övriga"; PLC är inte aktiverad.

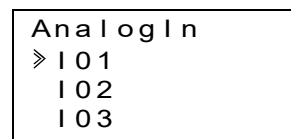


SWE

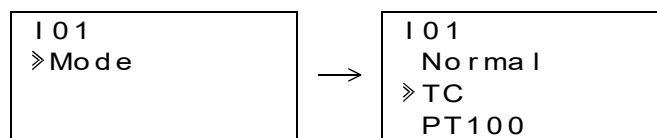
- 4) Välj "Analog In" i meny "Övrigt".



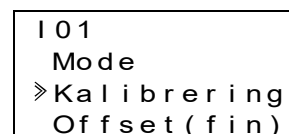
- 5) Välj den ingång som AL2-2TC-ADP är ansluten till.



- 6) Konfigurera ingången för temperaturavkänning med AL2-2TC-ADP-modulen genom att välja "Mode" och sedan "TC" i nästa bild.

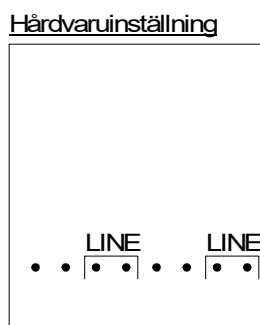


- 7) Efter inställning av "TC", välj "Kalibrering" i meny "Analog In".



- 8) Välj "-50°C" i meny "Calibrate" (se bild 13.5). Nu skall meddelandet "OK" visas på displayen. Är detta inte fallet, följ anvisningarna om feldiagnos i kapitel 13.4.7. Därmed är offset-avstämningen för kanal 1 avslutad. För att avstämma offset för kanal 2, upprepa ovanstående instruktioner, men belägg inte anslutningarna L2-, L2+ och SLD. Efter kalibreringen sätts jumpern på "LINE"-kontakterna:

Figur 13.6: Jumpers läge efter kalibreringen



Efter avstämningen av offset måste även förstärkningen avstämmas. Detta beskrivs i följande kapitel.

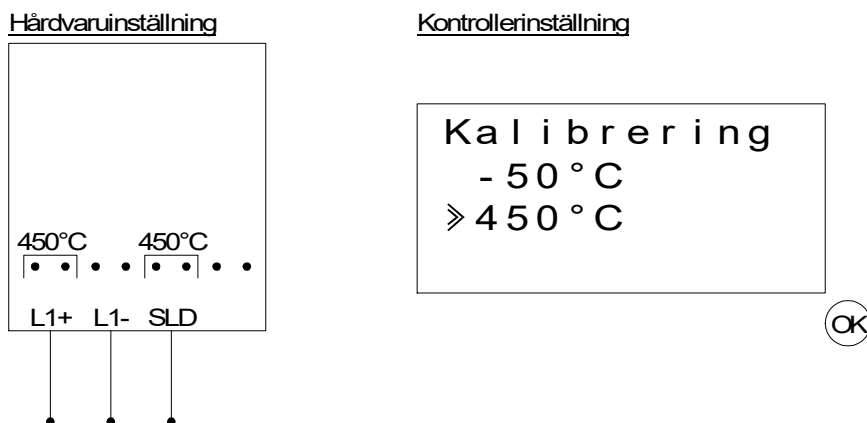
13.4.5 Avstämning av förstärkningen

Anmärkning

Om justeringen av förskjutningen är färdig, behöver du inte utföra steg 3 - 4.

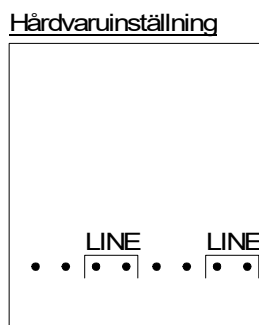
- 1) Slå från strömmen till α2-styrenheten och AL2-2TC-ADP före kalibreringen av förstärkningen för kanal 1, lossa termoelementet. Anslutningarna L1-, L1+ och SLD beläggs inte.
- 2) Avlägsna skyddet från jumpern och stick in den på kontakterna som är markerade med "450°C", se bild nedan.

Figur 13.7: Avstämning av förstärkningen för AL2-2TC-ADP



- 3) Koppla in styrningen och välj meny "Övrigt"; PLC är inte aktiverad.
- 4) Sedan du valt termoelement-modus (TC) (se beskrivning av offset-avstämning), välj "Kalibrering" i meny "Analog In".
- 5) Välj "450 °C" i meny "Kalibrering" (se bild 13.7). Nu skall meddelandet "OK" visas på displayen. Är detta inte fallet, följ anvisningarna om feldiagnos i kapitel 13.4.7. Därmed är förstärkningsavstämningen för kanal 1 avslutad. För att ställa in förstärkningen för kanal 2, upprepa ovanstående instruktioner, men belägg inte anslutningarna L2-, L2+ och SLD. Efter kalibreringen sätts jumpern på "LINE"-kontakterna:

Figur 13.8: Jumpers läge efter kalibreringen



Efter avstämningen av förstärkningen måste även offset avstämmas. Detta beskrivs i kapitel 13.4.4.

SWE

13.4.6 Finavstämning av offset



Finavstämningen skall endast göras efter avstämningen av offset och förstärkningen.

1) Välj meny "Övrigt" i huvudmenyn.

```
Huvudmeny
Klockinst.
LANGUAGE
» Övrigt...
```

2) Välj "Analog In" i meny "Övrigt".

```
Övrigt...
Seriekom.
Belysn.tid
» Analog In
```

3) I meny "Analog In" väljer du en ingång som är konfigurerad som termoelement-ingång.

```
Analog In
I 01
I 02 : PT100
» I 03 : TC
```

4) I menyn för inställning av de analoga ingångarna välj "Offset(fin)".

```
I 03
Modo
Kalibrering
» Offset(fin)
```

5) Mata med "+"- och "-"-knapperna in ett värde mellan -31 °C och 31 °C (-55,8 °F och 55,8 °F). Avsluta finavstämningen med "OK"-knappen efter inmatningen.

```
I 03
Offset(fin)
0 °C
```


13.4.7 Feldiagnos

Är ingångsspänningen större än 11 V eller lika med 0 V, ställs följande system-bits in:

Tabell 13.8:

System-Bit	Beskrivning	AL2-10MR-D	AL2-14MR-D AL2-24MR-D
M17	0: ingen fel 1: sensorfel i I01	✓	✓
M18	0: ingen fel 1: sensorfel i I02	✓	✓
M19	0: ingen fel 1: sensorfel i I03	✓	✓
M20	0: ingen fel 1: sensorfel i I04	✓	✓
M21	0: ingen fel 1: sensorfel i I05	✓	✓
M22	0: ingen fel 1: sensorfel i I06	✓	✓
M23	0: ingen fel 1: sensorfel i I07	—	✓
M24	0: ingen fel 1: sensorfel i I08	—	✓

Är en av de ovanstående system-bits aktiverad, kontrollera

- om temperaturgivare är ansluten..
- om ledningen till temperaturgivaren är avbruten.
- att temperaturen ligger inom det tillåtna området.
- att AL2-2PT-ADP får ström.

Om meddelandet "Error" visas i stället för "OK" under offset-/gainkalibrering, kontrollera.

- Strömmen är ansluten till AL2-2TC-ADP
- AL2-2TC-ADP är korrekt ansluten till α2.
- Ingången som ansluter AL2-2TC-ADP är avsedd för kalibrering.
- AL2-2TC-ADP ingångarna är ej anslutna.
- Jumperkablarna på AL2-2TC-ADP är antingen placerade i position "-50°C" eller position "450°C"

SWE

14. Lista över knappar, systembitar och funktionsblock

14.1 Lista över knappar

Tabellen nedan innehåller de knappar som används i meny- och användarprogrammet. Ytterligare information finns i programmeringshandboken för α.2.

Tabell 14.1: Lista över kontrollknappar

Knappnamn	Knappnummer	Funktion
OK	K01	Bekräfta/godkänna inmatade data, menyalternativ och programval.
ESC	K02	Avbryta pågående operation, flytta till överordnad skärmbild eller meny.
+	K03	Ansluta funktionsblock, flytta till block med högre nummer, öka värden.
-	K04	Koppla bort funktionsblock, flytta till block med lägre nummer, minska värden.
▲	K05	Bläddra till poster med högre nummer (knappar, FB, in- och utgångar etc.).
▼	K06	Bläddra till poster med lägre nummer (knappar, FB, in- och utgångar etc.).
▶	K07	Flytta åt höger i teckenfönstret, FB-program eller hoppkommando.
◀	K08	Flytta åt vänster i teckenfönstret, FB-program eller hoppkommando.

14.2 Lista över systembitar

Systembiten styrs av systemet, medan kontrollbiten styrs från användarprogrammet.

14.2.1 Lista över systembitar

Tabell 14.2: Lista över systembitar

Systembit	Funktion	AL2-10MR-*	AL2-14MR- AL2-24MR-*
M01	Alltid PÅ.	✓	✓
M02	Alltid AV.	✓	✓
M03	Alternerade – 0,5 s PÅ, 0,5 s AV.	✓	✓
M04	PÅ när datafel för realtidsklocka uppkommer.	✓	✓
M05	PÅ när tidsschema för sommartid aktiveras.	✓	✓
M06	PÅ när kommunikationsfel för AS-gränssnitt uppkommer.	—	✓
M07	PÅ när kommunikationsfel för AS-gränssnittets strömförsörjning uppkommer.	—	✓
M08	PÅ när läge Stop växlar till Run i α2-styrenheten. PÅ-signalen fungerar som pulsutsignal och stängs sedan AV.	✓	✓
M09	AV när läge Stop växlar till läge Run i α2-styrenheten. AV-signalen fungerar som pulsutsignal och slås sedan PÅ.	✓	✓
M10	"PÅ" , under dekodering av DCF77-signaler	✓	✓
M11	"PÅ" impuls efter en felaktig dekodering av DCF77-signaler	✓	✓
M12	PÅ när CD-signalen (DCD) sätts PÅ (tar emot CD-signal från modem)	—	✓
M13	PÅ när åtkomst till GSM-nätverket är möjlig.	—	✓
M14	PÅ vid åtkomst av α2-styrenheten via GSM.	—	✓
M15	"PÅ", när ett fel uppstått vid dekoderingen av DCF77-signaler	✓	✓
M16	"PÅ", när den externa försörjningsspänningen för AL2-2DA är påslagen	—	✓
M17	"PÅ", vid ett sensorfel vid I01	✓	✓
M18	"PÅ", vid ett sensorfel vid I02	✓	✓
M19	"PÅ", vid ett sensorfel vid I03	✓	✓
M20	"PÅ", vid ett sensorfel vid I04	✓	✓
M21	"PÅ", vid ett sensorfel vid I05	✓	✓
M22	"PÅ", vid ett sensorfel vid I06	✓	✓
M23	"PÅ", vid ett sensorfel vid I07	—	✓
M24	"PÅ", vid ett sensorfel vid I08	—	✓

SWE

14.2.2 Lista över kontrollbitar

Tabell 14.3: Kontrollbitar

Kontrollbit	Funktion	AL2-10M	AL2-14M AL2-24M
N01	PÅ: Koppla bort från AS-gränssnittsnätverk. AV: Anslut till AS-gränssnittsnätverk.	—	✓
N02* ¹	PÅ: LCD-teckenfönstrets bakgrundsbelysning är AV. AV: Bakgrundsbelysningen styrs av inställningen "Light Time" i menyn.	✓	✓
N03* ¹	PÅ: LCD-teckenfönstrets bakgrundsbelysning är PÅ. AV: Bakgrundsbelysningen styrs av inställningen "Light Time" i menyn.	✓	✓
N04	PÅ: Användarskärmen styrs via inställning av "Display Manager" med AL-PCS/WIN-E. AV: Användarskärmen styrs med användarprogrammet.	✓	✓

*1 När både N02 och N03 är PÅ, är bakgrundsbelysningen PÅ, eftersom N03 ges högst prioritet.

14.3 Lista över funktionsblock

Ytterligare information om funktionsblock finns i programmeringshandboken för α2-serien .

Tabell 14.4: Lista över funktionsblock

Funktionsblock		Erfordrigt minnesutrymme (byte)	Funktion	AL2-10MR-*	AL2-14MR- AL2-24MR-*
Namn	Symbol				
AND	AND	19	Utgången är PÅ när alla ingångar är PÅ. Ingångar som inte används anses vara PÅ.	✓	✓
OR	OR	19	Utgången är PÅ när minst en ingång är PÅ. Ingångar som inte används anses vara AV.	✓	✓
NOT	NOT	10	Icke-grind eller inverterare, som "spegelvänder" AV till PÅ och tvärtom.	✓	✓
XOR	XOR	13	Exklusiv eller-grind, dvs. utgången är PÅ när endast en av två ingångar är PÅ.	✓	✓
NAND	NAND	19	Negerad och-grind, dvs. utgången är AV endast när alla ingångar är PÅ. Ingångar som inte används anses vara PÅ.	✓	✓
NOR	NOR	19	Negerad eller-grind, dvs. utgången är AV när minst en ingång är PÅ. Ingångar som inte används anses vara AV.	✓	✓
Boolsk	BL	*1	Logisk ekvation med AND, OR, XOR och NOT.	✓	✓
Ställ/återställ	SR	14	Låser ett relä i läge SET (ställ) eller RESET (återställ), prioriterar ställ eller återställ.	✓	✓
Puls	PL	10	Skickar en puls vid framflank, bakflank eller båda flankerna.	✓	✓
Alternering	AL	13	Utgången växlar mellan PÅ och AV vid varje inkommande puls.	✓	✓
Fördröjning	DL	19	Fördröjer en signals framflank, bakflank eller båda flanker.	✓	✓
Enkelpuls	OS	17	Skickar en enstaka puls, styrd av tids- eller insignal, återställningsstift finns.	✓	✓
Pulståg	FL	19	Skickar ett pulståg PÅ/AV antal gånger, repetitioner, varaktighet eller kontinuerligt.	✓	✓
Tidsstyrd omkopplare	TS	*2	Utnyttjar realtidsklockan för att slå PÅ eller AV utgången, datumstyrt eller enligt rullande veckoschema.	✓	✓
Tidsstyrd omkopplare Underhåll	TSm	*2	Utnyttjar realtidsklockan för att slå PÅ eller AV utgången, datumstyrt eller enligt veckoschema. Funktionsblocket kan ställas in i huvudmenyn "Parameter" via knapparna på kontrollpanelen.	✓	✓
Räknare	CN	16	Räknar uppåt vid pulser, kan återställas med signal.	✓	✓
Uppåt/nedåt-räknare	UD	22	Räknar uppåt eller nedåt, ställ in ett värde vid vilket utsignalen skall slås PÅ.	✓	✓

SWE

Tabell 14.4: Lista över funktionsblock

Funktionsblock		Erfordrigt minnesutrymme (byte)	Funktion	AL2-10MR-*	AL2-14MR-*/AL2-24MR-*
Namn	Symbol				
Jämför	CP	17	Jämför två värden med avseende på <, >, =, <=, >=, <> (analoga eller direktinställda värden eller FB-värden).	✓	✓
Offset och förstärkning	OG	22	Manipulerar analoga värden, $y = A/B * x + C$, ställ in övre och nedre gränsvärden.	✓	✓
Visning	DP	*3	Meddelande- och datavisning i LCD-teckenfönstret.	✓	✓
Zonjämförelse	ZC	20	Jämför ett värde med en uppsättning värden (analoga eller direktinställda värden eller FB-värden).	✓	✓
Schmittrigger	ST	19	Slår PÅ en insignal vid högt värde och slår AV vid lågt värde (eller tvärtom).	✓	✓
Timräknare	HM	19	Räknar antalet timmar signalen varit PÅ.	✓	✓
Hastighetsdetektering	SPD	25	Signalväxlingsfrekvensen (på/av) mäts under en inställd tid. Frekvensen jämförs med ett intervall och utsignalen slås PÅ/AV enligt resultatet.	✓	✓
Pulsviddsmodulering	PWM	16	När detta funktionsblock körs, läggs ett kontinuerligt pulståg ut. Pulskaraktäristiken definieras som pulslängd (direktinställd, analog, FB-värden) och cykeltid.	✓	✓
Bibehållande alternerande	RAL	13	Utgången växlar mellan PÅ och AV vid varje inkommande puls. Utgångens senaste status bibehålls när strömförsörjningen slås AV och PÅ. Utgångens senaste status går dock förlorad då α2-styrenheten försätts i läge Stop.	✓	✓
Addition	ADD	20	$y = A + B$	✓	✓
Subtraktion	SUB	20	$y = A - B$	✓	✓
Multiplikation	MUL	20	$y = A \times B$	✓	✓
Division	DIV	20	$A \div B = q, r$ (kvot och rest)	✓	✓
Beräkning	CAL	*4	Ekvationer med +, -, ×, ÷, % och valda data.	✓	✓
Skift	SFT	19	Skiffunktion. När signalen "SFT" tas emot, läggs senaste status för signal "I" ut. Vid 8-bitars skift, skall skiffunktionsblocket köras 8 gånger.	✓	✓
GSM SMS	SMS	*5	Innehållet i LCD-teckenfönstret skickas som SMS-meddelande.	—	✓
Mottagande textmeddelande	SMR	*7	Utgång ändrad för kortmeddelande	—	✓

Tabell 14.4: Lista över funktionsblock

Funktionsblock		Erfordrigt minnes utrymme (byte)	Funktion	AL2-10MR-*	AL2-14MR-*/AL2-24MR-*
Namn	Symbol				
Mottagande textmeddelande Underhåll	SMRm	*7	Utgång ändrad för kortmeddelande Funktionsblocket kan ställas in i huvudmenyn "Parameter" via knapparna på kontrollpanelen.	—	✓
Samtalsskydd	CD	30	Calling Line Identification Presentation (CLIP) Telefonnummerskydd	—	✓
Samtalsskydd Underhåll	CDm	30	Calling Line Identification Presentation (CLIP) Telefonnummerskydd Funktionsblocket kan ställas in i huvudmenyn "Parameter" via knapparna på kontrollpanelen.	—	✓
Sluppmässig enkelpuls	ROS	19	En enstaka puls av sluppmässig varaktighet skickas ut.	✓	✓
Fördröjd enkelpuls	DOS	20	En enstaka puls skickas ut efter fördröjning.	✓	✓
Fördröjd alternerande	DAL	16	Efter fördröjning växlar utgången mellan PÅ och AV vid varje inkommande puls.	✓	✓
Bibehållande Ställ/återställ	RSR	14	Låser ett relä i läge SET (ställ) eller RESET (återställ), prioriterar ställ eller återställ. Utgångens senaste status bibehålls när strömförsörjningen slås AV och PÅ. Utgångens senaste status går dock förlorad då α2-styrenheten försätts i läge Stop.	✓	✓
PID-reglering	PID	52	PID-funktionsblocket är α2-implementationen av PID - en kontrollmetod som används för att få stabil kontroll över en systemvariabel. Den är utrustad med en automatisk avstämningsfunktion som automatiskt justerar funktionsblockets parametrar för angiven applikation.	✓	✓
Analoga utdata	AO	17	Den analoga utgångsfunktionen tar emot ett digitalt värde och sänder ut motsvarande analog spänning eller ström till en vald kanal på AL2-2DA-modulen.	✓	✓
Visningskontroll	CDP	*6	Detta funktionsblock styr vilken skärmbild som visas i LCD-teckenfönstret. Funktionsblocket kan bara ställas in i programmet i AL-PCS/WIN-E. När styrbiten N04 är PÅ, går det att styra vilken skärmbild som visas.	✓	✓

SWE

Tabell 14.4: Lista över funktionsblock

Funktionsblock		Erfordrigt minnes utrymme (byte)	Funktion	AL2-10MR-*	AL2-14MR-*/AL2-24MR-*
Namn	Symbol				
Anslut	_B	10	Detta anslutningsfunktionsblock är ett internt funktionsblock som används för att visa hur mycket minne som används av systembitar, AS-gränssnitt och funktionsknappar. Det visas inget funktionsblock, varken på skärmen eller som utnyttjat i dialogrutan "Memory Configuration Usage". Syftet är endast att beräkna hur mycket minne som används av de i listorna angivna bitarna.	✓	✓
Systemutgångar	Out	10	Styr externa enheter via reläer och transistorer.	✓	✓

*1 Antal använda byte = $19 + 1 \times$ (tecken i ekvationen)

*2 Antal använda byte = $8 + 4 \times$ (antal tidstyrda omkopplare)

*3 Antal använda byte styrs av visad funktion

Tabell 14.5: Visad funktion och antal använda byte

Visad funktion		Antal byte, α2-styrenhet
Tecken		$16 + 1 \times$ (varje visat tecken)
Analog, funktionsblocksvärde	Värde	17
	Diagram	23
Klockslag, datum		14
Tidsstyrd omkopplare		17

*4 Antal använda byte = $30 + 1 \times$ (tecken i ekvationen)

*5 Antal använda byte = $12 + 1 \times$ (tecken i e-postadress)

*6 Antal använda byte = $32 + 3 \times$ (antal skärmbilder)

*7 Antalet använda bytes = $37 +$ (antalet tecken i setup-kommandot)

15. Diagnostik



Viktigt

- Vidrör inte några plintar under spänning. Detta kan nämligen ge dig en elektrisk stöt eller orsaka funktionsstörningar i utrustningen.



Viktigt

- Anslut strömförsörjning med korrekt spänning.
Om strömförsörjning av med någon annan spänning än utrustningens märkspänning ansluts, kan utrustningen bli skadad eller fatta eld.
- Vid växelströmförsörjning skall strömförsörjningens fasledare anslutas till plint "L" i huvudenheten, och dess nolledare till plint "N" i huvudenheten.
Felaktig anslutning medför risk för elektrisk stöt, skador på styrenheten och brand.
- Anslut strömförsörjningens fasledare till ingångsplinten på växelströmsenheten.
- Vid likströmförsörjning skall strömförsörjningens positiva ledare (+) anslutas till plint "+" i huvudenheten, och dess negativa ledare (-) till plint "-".
Felaktig anslutning medför risk för elektrisk stöt, skador på styrenheten och brand.



Anmärkningar

- Styrenheterna i α 2-serien får bara användas om antingen minneskassetten, kommunikationskabeln eller anslutningskåpan är monterad. I annat fall kan den blottade anslutningen orsaka skador på styrenheten och utsätta operatören för elektrisk stöt.
- Använd expansionskortet och anslutningskåpan när strömförsörjningen är inkopplad till α 2-styrenheten.
Felaktigt installerad utrustning kan orsaka elektrisk stöt eller skador på styrenheten.

15.1 Ingångsstatusfel

Försätt α2-styrenheten i läge Stop. Slå av och på strömförsörjningen till den utrustning som är ansluten till ingångarna och kontrollera att ingångsstatus visas korrekt. Om inte, genomför kontrollpunkterna nedan.

Ytterligare information om statusvisning finns i programmeringshandboken för α2.



Anmärkningar

Anslut inte ledare med lödda ändar till en α2-styrenhet.
Det orsakar nämligen dålig kontakt och risk för skjuvning av ledaren

- 1) Kontrollera att strömförsörjning och ingångar är korrekt anslutna.
- 2) Kontrollera att den utrustning som är ansluten till ingångarna motsvarar data i stycke 2.3 i den här handboken.

15.2 Utgångsstatusfel

Försätt α2-styrenheten i läge Stop. Tvångsstyr utgångarna PÅ/AV och kontrollera utgångarnas funktion. Kontrollera att programmet är korrekt skrivet för att utföra de önskade funktionerna.

Ytterligare information om tvångsstyrning PÅ/AV finns i programmeringshandboken för α2.



Anmärkningar

Innan du tvångsstyr utgångarna PÅ/AV, skall du noga kontrollera att det kan ske utan risk. Olämpligt utförd tvångsstyrning PÅ/AV kan medföra säkerhetsrisker eller skador på styrenheten eller den styrda utrustningen.
Om lämpliga säkerhetsåtgärder inte vidtas, kan styrenheten eller den styrda utrustningen ta skada.

- 1) Kontrollera att strömförsörjning och utgångar är korrekt anslutna.
- 2) Kontrollera att den utrustning som är ansluten till utgångarna motsvarar data i stycke 4.4 i den här handboken.

15.3 TOP MENU visas inte

Använd menyknappen för att komma till Top Menu. Tryck samtidigt på knapparna "OK" och "ESC". Om menyanropsknappen inte är inställd, kan du antingen använda programmeringsgränssnittet eller utföra tvångsstopp.

Det går inte att komma åt Top Menu via knapparna. Du kan i stället komma till huvudmenyn genom att slå av och på strömförsörjningen och under startförloppet trycka samtidigt på "OK" och "ESC".



Viktigt

Innan du utför tvångsstopp, skall du noga kontrollera att det kan ske utan risk. Olämpligt utförd tvångsstyrning PÅ/AV kan medföra säkerhetsrisker eller skador på styrenheten eller den styrda utrustningen.

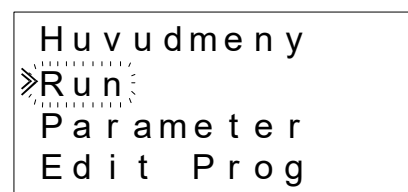
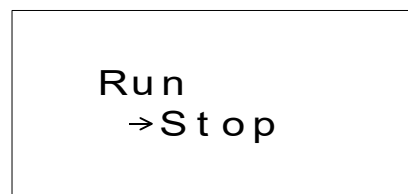
Om lämpliga säkerhetsåtgärder inte vidtas, kan styrenheten eller den styrda utrustningen ta skada.

Tvångsstopp

- 1) Stäng av α2-styrenhetens strömförsörjning.
- 2) Håll knapparna OK och ESC intryckta samtidigt och slå på strömförsörjningen igen.
Skärmbilden till höger visas.

Under cirka 5 sekunder har du nu möjlighet att försätta styrenheten i läge Stop. Tryck på OK för att gå över till läge Stop. Om du inte trycker på någon knapp, går styrenheten automatiskt tillbaka till läge Run.

- 3) Tryck på knappen ESC.
Top Menu till höger visas.



SWE

15.4 Det går inte att gå över till driftläge

Om α2-styrenheten inte slår om till läge Run, kontrollera följande.

- 1) Meddelandet "Input Error" eller "Output Error" visas.
Programmet i minneskassetten har fler in- och/eller utgångar än styrenheten kan hantera.
 - a) Vid programmering med hjälp av programmeringsgränssnittet.
Programinnehåll och modell kontrolleras med programmeringsgränssnittet. Skriv in programmet i α2-styrenheten, använd inte minneskassetten.
 - b) Vid programmering med hjälp av knapparna på α2-styrenhetens frontpanel.
Ta ut minneskassetten och skriv in programmet på nytt.
 - c) Sätt i minneskassetten i en α2-styrenhet av 24-punkterstyp.
 - d) Skriv in programmet i en α2-styrenhet av samma typ som den i vilken programmet skall användas.
- 2) Felaktiga programdata.
Om programmet inte kan visas med "Prog.red." i "Huvudmeny", kan programmet vara skadat. Radera programmet och växla från TopMenu till läge Run.
 - a) Skriv in programmet på nytt och växla till läge Run.
 - b) Om det inte går att växla till läge Run, kontakta någon av Mitsubishis återförsäljare.

15.5 Felaktiga klockdata

Kontrollera följande.

- 1) Förlorade tidsdata.
När strömförsörjningen till α2-styrenheten varit avstängd i 20 dygn eller mer (25 °C) går tidsdata förlorade. Tidsdata måste då ställas in på nytt.
Ytterligare information om inställning av tidsdata finns i programmeringshandboken för α2.
- 2) Klockan går fel. Klockans gångnoggrannhet är 5 sekunder per dygn. Ställ klockan rätt med hjälp av tidskorrigeringsfunktionen när den ackumulerade avvikelsen blir för stor.
Ytterligare information om inställning av klockan finns i programmeringshandboken för α2.

15.6 Ett frågetecken, ?, visas i teckenfönstret

Tecknet ? visas om du trycker på en knapp som är ogiltig i den aktuella skärmbilden. Kontrollera vilka knappar som är giltiga och använd dem.



15.7 Kontrollknapparna fungerar inte

Kontrollera knapparnas funktion enligt nedan om α2-styrenheten inte reagerar korrekt på en knapptryckning. Om stegen i (1)–(5) nedan kan utföras, fungerar knapparna korrekt. Kontrollera om knappen/knapparna används i programmet.

- 1) Försätt styrenheten i läge Stop. Om det inte går att växla till läge Stop, kontakta någon av Mitsubishis återförsäljare.



Viktigt

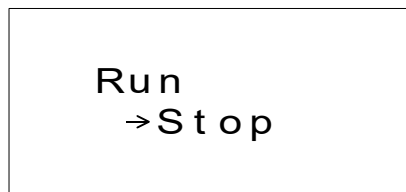
Innan du utför tvångsstopp, skall du noga kontrollera att det kan ske utan risk. Olämpligt utförd tvångsstyrning PÅ/AV kan medföra säkerhetsrisker eller skador på styrenheten eller den styrda utrustningen.

Om lämpliga säkerhetsåtgärder inte vidtas, kan styrenheten eller den styrda utrustningen ta skada.

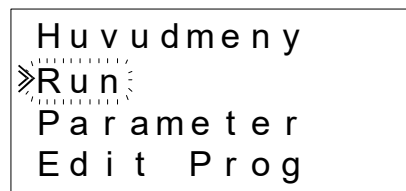
Tvångsstopp

- a) Stäng av α2-styrenhetens strömförsörjning.
- b) Håll knapparna "OK" och "ESC" intryckta samtidigt och slå på strömförsörjningen igen.
Skärmbilden till höger visas i 5 sekunder.

Under cirka 5 sekunder har du nu möjlighet att försätta styrenheten i läge Stop. Tryck på "OK" för att gå över till läge Stop. Om du inte trycker på någon knapp, går styrenheten automatiskt tillbaka till läge Run.

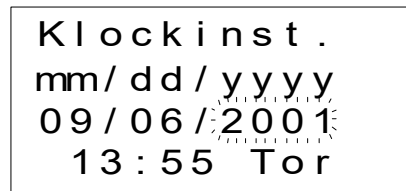


- c) Tryck på knappen "ESC".
Top Menu till höger visas.



- 2) Bläddra genom Top Menu med knappen "▲" eller "▼".
Kontakta en Mitsubishi-återförsäljare om det inte går att bläddra.

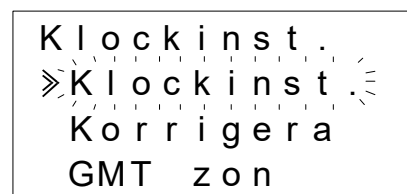
- 3) Flytta markören till "Klockinst." med knappen "▲" eller "▼" och tryck två gånger på "OK".
Skärmbilden "Klockinst." till höger visas.
Kontakta en Mitsubishi-återförsäljare om den inte visas.



- 4) Försök ställa om månad och år med knapparna "◀" och "▶" samt "+" och "-".
Kontakta en Mitsubishi-återförsäljare om det inte går att ställa om månad och år.

SWE

- 5) Tryck på knappen "ESC".
Skärmbilden till höger visas och operation (4) annulleras.
Kontakta en Mitsubishi-återförsäljare om inte rätt skärmbild visas.



15.8 LCD-fel

Kontrollera följande.

- 1) Tecknen visas inverterade och hela teckenfönstret är svart.
Kontakta en Mitsubishi-återförsäljare om detta fel uppstår. α2-styrenheten har blivit skadad.
- 2) Oväntade data eller skärmbilder visas.
Om visningen i teckenfönstret inte är den förväntade, kontrollera följande punkter i programmet.
 - a) Justera startpositionen för varje visningsfunktion. Två olika visningsposter kan nämligen överlappa varandra, vilket ger underliga resultat i teckenfönstret.
 - b) Tecken visas inte.
 - Kontrollera att funktionsblocket för teckenfönstret är aktivt.
 - Kontrollera om det föreligger konflikt med något annat teckenfönster.

15.9 Minneskassetten fungerar inte korrekt

Om minneskassetten inte blir igenkänd eller om dess överföringsfunktioner inte arbetar korrekt, kontrollera följande.



Anmärkningar

- Använd minneskassetten, telekommunikationskabeln och anslutningskåpan när strömförsörjningen är inkopplad till α2-styrenheten.
Felaktigt installerad utrustning kan orsaka elektrisk stöt eller skador på styrenheten.
- 1) Minneskassetten måste vara korrekt installerad. Installationsinformation finns i stycke 6.1.
 - 2) Meddelandet "Skydda SW" visas.
Dataskyddet (Skydda SW) är inställt.
Anvisningar för hur du låser upp denna inställning finns i programmeringshandboken för α2.
 - 3) Meddelandet "Password error" visas.
Lösenordsskydd är inställt. Avaktivera lösenordet och försök igen.
Anvisningar för hur du avaktiverar lösenordet finns i programmeringshandboken för α2.

Med alternativet "Prog.rens." kan du radera lösenordet, programmet och alla Huvudmeny-inställningar. Styrenheten återgår då till fabriksinställningarna.

Anvisningar för hur du använder "Prog.rens." finns i programmeringshandboken för α2.

15.10 Kommunikationen med AS-gränssnittets mastermodul fungerar inte

Kontrollera följande.



Anmärkningar

- Använd expansionskortet och anslutningskåpan när strömförsörjningen är inkopplad till α2-styrenheten.
Felaktigt installerad utrustning kan orsaka elektrisk stöt eller skador på styrenheten.
- 1) Kontrollera att AS-gränssnittets strömförsörjning fungerar.
 - 2) Kontrollera att kontrollbit N1 är AV. Använd vid behov någon av de båda metoderna nedan för att ändra status.
 - a) När program inte används.
Anvisningar för hur du tvångsstyr status till avstängt läge finns i programmeringshandboken för α2.
 - b) När program används.
Ändra programmet eller påverka ingångarna så att kontrollbit N1 stängs AV.
 - 3) Kontrollera att slavadressen är korrekt.
Ställ in slavadressen från AS-gränssnittets mastermodul.
Anvisningar för adressinställning av finns i stycke 9.4.1 samt i handboken för AS-gränssnittets mastermodul.
 - a) Konflikt mellan adressen till AL2-ASI-BD och en annan slavenhets adress.
Ställ in adresserna så att konflikten upphör.
 - b) Slavadressen är 0.
Ställ in en giltig slavadress från AS-gränssnittets mastermodul.
 - 4) AL2-ASI-BD är inte en aktiv slavenhet på mastermodulsidan.
Kontrollera mastermodulens inställning.
Anvisningar för denna kontroll finns i handboken för AS-gränssnittets mastermodul.

SWE

15.11 Kommunikationen med AL-PCS/WIN-E fungerar inte

Kontrollera följande.



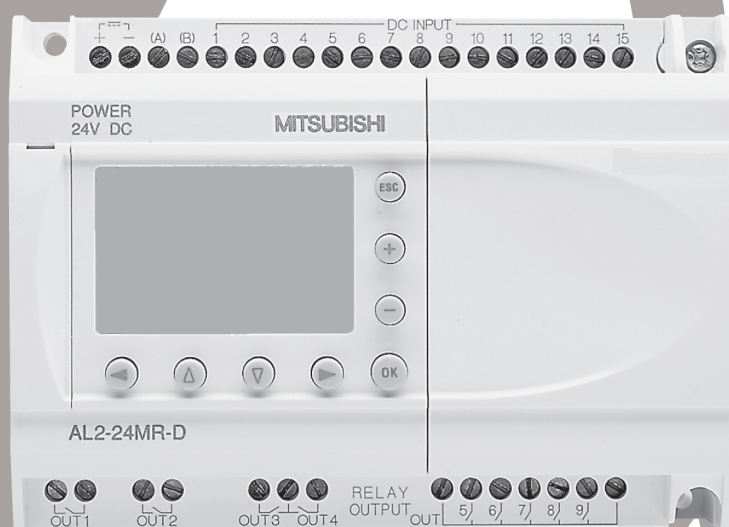
Anmärkningar

Använd alltid minneskassetten eller anslutningskåpan när kommunikationskabeln är installerad.

I annat fall uppstår fara för elektrisk stöt, och utrustningen kan bli förstörd.

- 1) Kontrollera kabelanslutningen (AL-232CAB).
Anvisningar om hur anslutningen skall vara utförd finns i stycke 7.2.
- 2) Kontrollera strömförsörjningen till α2-styrenheten.
Anvisningar om hur strömförsörjningen skall vara ansluten finns i stycke 4.
Se även stycke 2.2 för tekniska data om strömförsörjningen.
- 3) Kontrollera att den COM-port på persondatorn som AL-232CAB-kabeln är ansluten till överensstämmer med den kommunikationsport som konfigurerats med programmeringsgränssnittet, och korrigera vid behov.
- 4) Vid fjärrunderhåll via modem.
 - a) Kontrollera att modemmet är rätt inställt på α2-sidan.
Anvisningar för modem anslutet till α2-sidan finns i stycke 7.3 samt i programmeringshandboken för α2-styrenheten.
 - b) Kontrollera den kabelanslutning kunden utfört.
Anvisningar rörande kabelanslutning finns i stycke 7.3.2.
 - c) Kontrollera modemets inställning på programvarusidan.
Kontrollera att modemets installationsdiskett har fungerat korrekt.

SIMPLE APPLICATION CONTROLLER



**α2 Контроллер для простых задач
автоматизации
РУКОВОДСТВО ПО АППАРАТНОЙ ЧАСТИ**

Предисловие

- Настоящее руководство содержит текст, схемы и объяснения, которые будут служить руководством для читателя, в целях обеспечить правильное программирование и корректную работу контроллеров серии α/α2.
- Пользователь должен прочитать и усвоить руководство прежде, чем пытаться выполнить установку контроллера серии α/α2 или использовать его.
- В том случае, если у Вас, на любой стадии, возникнут сомнения в правильности выполнения установки контроллеров серии α/α2, всегда обращайтесь за консультацией к профессиональному инженеру по электронике, который имеет необходимый уровень квалификации, и прошел подготовку в соответствии с местными и государственными стандартами, действующими в месте установки.
- Если у Вас имеются сомнения относительно корректности работы, или по вопросам использования контроллера серии α/α2, пожалуйста, обращайтесь за консультацией к ближайшему дистрибьютору компании "Мицубиси Электрик".
- При использовании оборудования не по назначению, предусмотренные меры защиты могут оказаться недостаточными.
- Ни при каких обстоятельствах компания "Мицубиси Электрик" не будет нести юридическую ответственность, и не будет признавать за собой какие-либо обязательства, в связи с любым последующим ущербом, который может возникнуть в результате установки или использования данного оборудования.
- Все примеры и схемы, приведенные в настоящем руководстве, предназначены только для оказания помощи в понимании текста, и мы не предоставляем гарантии того, что они будут работоспособны. Компания "Мицубиси Электрик" не признает за собой никакой ответственности за результаты попыток фактического использования данного изделия, основываясь на этих иллюстративных примерах.
- Этот продукт был изготовлен как деталь общего назначения для общих отраслей промышленности и не был разработан или изготовлен для включения в устройство или систему, используемую в целях, связанных с жизнью человека.
- Пожалуйста, свяжитесь с дистрибьютором компании "Мицубиси Электрик" для получения более подробной информации по применению изделий в условиях, критических в отношении жизни человека, или в условиях, когда требуется высокая надежность.
- Утилизировать продукт следует как промышленные отходы.
- Настоящее руководство может быть подвергнуто внесению изменений без уведомления.

Данное руководство не предоставляет никаких прав на промышленную собственность, или любых иных прав, а также не предоставляет никаких патентных лицензий. Mitsubishi Electric Corporation не несет ответственности за любые проблемы с правами на промышленную собственность, которые могут иметь место в результате использования содержимого данного руководства.

α2 Контроллер для простых задач автоматизации

Руководство по аппаратной части

Номер Руководства: JY992D97301

Редакция Руководства: P

Дата: 8/2023

RUS

Руководящие указания по обеспечению безопасности пользователя и по защите оборудования

В настоящем руководстве представлена информация по применению Контроллеров серии α2. Настоящее руководство было составлено в расчете на то, что им будет пользоваться обученный и квалифицированный персонал. Определение квалификации такого лица, или лиц, включает в себя следующее;

- a) Любой инженер, несущий ответственность за планирование, проектирование и конструирование автоматизированного оборудования, где используется изделие, с которым связано содержание данного руководства, должен представлять собой компетентное лицо, получившее подготовку и обладающее квалификацией, в соответствии с местными и государственными стандартами, необходимой для выполнения этой роли. Такие инженеры должны быть полностью осведомлены обо всех аспектах обеспечения безопасности в отношении автоматизированного оборудования.
- b) Любой инженер по вводу в эксплуатацию, или сервисному обслуживанию, должен представлять собой компетентное лицо, получившее подготовку и обладающее квалификацией, в соответствии с местными и государственными стандартами, необходимой для выполнения этой работы. Эти инженеры также должны быть подготовлены в области использования и проведения технического обслуживания полностью собранных изделий. Это включает в себя условие ознакомления, в полном объеме, со всей документацией, связанной с данным изделием. Весь объем технического обслуживания должен выполняться в соответствии с установленными правилами практического применения мер безопасности.
- c) Все операторы полностью собранного оборудования (Смотрите Примечание) должны быть подготовлены в области использования этого изделия с обеспечением безопасности, в соответствии с установленными правилами практического применения мер безопасности. Эти операторы также должны быть ознакомлены с документацией, которая связана с фактической эксплуатацией полностью собранного оборудования.

Примечание: Понятие "полностью собранное оборудование" относится к устройству, сконструированному третьей стороной, в котором содержится или применяется изделие, связанное с данным руководством.
Для очистки, используйте чистую сухую ветошь без чистящих средств.

Примечания относительно символов, используемых в настоящем Руководстве.

В различных местах, на протяжении всего текста настоящего руководства будут применяться определенные символы, с тем, чтобы выделить пункты, в которых содержится информация, предназначенная для обеспечения личной безопасности пользователей и для защиты целостности оборудования. Во всех случаях, когда читатель встречает любой из приведенных ниже символов, связанное с ними примечание должно быть прочитано и понято. Ниже приводится каждый из этих используемых символов, с кратким описанием его значения.

Знаки предостережения, относящиеся к аппаратной части



1) Указывает на то, что обозначенная опасность **НЕМИНУЕМО** приведет к физическому ущербу или к повреждению имущества.



2) Указывает на наличие **ВОЗМОЖНОСТИ** того, что обозначенная опасность приведет к физическому ущербу или к повреждению имущества.



3) Указывает пункт, который может в дальнейшем представлять интерес, или в котором имеются дальнейшие объяснения.

Знаки предостережения, относящиеся к программному обеспечению.



4) Указывает на то, что при использовании этого элемента программного обеспечения необходимо проявить особую осторожность.



5) Указывает особый пункт, о содержании которого должен быть осведомлен пользователь связанного с ним программного обеспечения.



6) Указывает пункт, который представляет интерес, или в котором имеются дальнейшие объяснения.

- Ни при каких обстоятельствах компания "Мицубиси Электрик" не будет нести юридическую ответственность, и не будет признавать за собой какие-либо обязательства, в связи с любым последующим ущербом, который может возникнуть в результате инсталляции или использования данного оборудования.
- Все примеры и схемы, приведенные в настоящем руководстве, предназначены только для оказания помощи в понимании текста, и мы не предоставляем гарантии того, что они будут работоспособны. Компания "Мицубиси Электрик" не признает за собой никакой ответственности за результаты попыток фактического использования данного изделия, основываясь на этих иллюстративных примерах.
- Пожалуйста, свяжитесь с дистрибьютором компании "Мицубиси Электрик" для получения более подробной информации по применению изделий в условиях, критических в отношении жизни человека, или в условиях, когда требуется высокая надежность.

Перечень руководств, содержащих дополнительную информацию.

	Название руководства	Номер руководства	Описание
⊙	Руководство по аппаратной части α2 (данное руководство)	JY992D97301	В данном руководстве содержатся пояснения, связанные с аппаратной частью, относящиеся к электрическим соединениям, установки, и техническим характеристикам контроллеров серии α2.
⊙	Руководство по программированию α2 <Только на английском языке>	JY992D97101	В данном руководстве содержатся пояснения, относящиеся к контроллерам серии α2
○	Руководство по программному обеспечению α2 <Только на английском языке>	JY992D74001	В данном руководстве содержатся пояснения по работе программного обеспечения для программирования, AL-PCS/WIN-E.
○	Руководство пользователя по устройствам связи с контроллерами серии α2 <Только на английском языке>	JY992D97701	В данном руководстве содержатся пояснения относительно задания конфигурации, обмена сообщениями, выполнения диагностики, распределения разрядов и т. д., для устройств связи, с использованием контроллера серии α2.
□	Руководство по установке контроллеров серии α2	JY992D97501	В данном руководстве содержатся пояснения относительно установки, для контроллера серии α2.
□	Руководство по установке AL2-4EX, AL2-4EX-A2, AL2-4EYR, AL2-4EYT	JY992D97401	В данном руководстве содержатся пояснения относительно установки модулей расширения AL2-4EX, AL2-4EX-A2, AL2-4EYR и AL2-4EYT.
□	Руководство по аппаратной части AL2-EEPROM-2	JY992D96801	В данном руководстве содержатся пояснения относительно аппаратной части, для AL2-EEPROM-2.
□	Руководство по установке AL2-2DA	JY997D09301	В данном руководстве содержатся пояснения относительно установки AL2-2DA.
□	Руководство по установке AL2-2PT-ADP	JY997D09401	В данном руководстве содержатся пояснения относительно установки AL2-2PT-ADP.
□	Руководство по установке AL2-2TC-ADP	JY997D09501	В данном руководстве содержатся пояснения относительно установки AL2-2TC-ADP.
□	Руководство по аппаратной части AL-232CAB	JY992D76001	В данном руководстве содержатся пояснения относительно аппаратной части, для AL-232CAB.
□	Руководство по аппаратной части AL2-GSM-CAB	JY992D97201	В данном руководстве содержатся пояснения относительно аппаратной части, для AL2-GSM-CAB.
□	Руководство по аппаратной части AL-ASI-BD, AL2-ASI-BD	JY992D81401	В данном руководстве содержатся пояснения, связанные с аппаратной частью, относящиеся к электрическим соединениям, инсталляции, техническим характеристикам и т. д., для AL-ASI-BD и AL2-ASI-BD.

⊙ Обращайтесь к данным руководствам.

○ Обращайтесь к данным руководствам в случае необходимости.

□ Обращайтесь к содержанию этих руководств в случае необходимости, в то же время, эти данные включены в Руководство по аппаратной части α2.

Сокращения

На протяжении всего текста руководства будут использоваться следующие определения или сокращения.

- Программное обеспечение AL-PCS/WIN-E в будущем обозначаться как "VLS", или будет именоваться "программным обеспечением для программирования".
- Простой прикладной контроллер серии α2 может упоминаться в дальнейшем как "серия α2", "контроллер серии α2", или "главный модуль".
- Функциональные блоки в дальнейшем могут упоминаться, как "ФБ".
- Функциональная блок-схема может в дальнейшем упоминаться как "ФБС".
- Блок Ввода/Вывода может в дальнейшем упоминаться как В/В.
- Персональный компьютер может в дальнейшем упоминаться как ПК.
- Microsoft Windows[®], Windows[®] 95, Windows[®] 98, Windows[®] Me, WindowsNT[®] Workstation 4.0, Windows[®] 2000, Windows[®] XP и Windows Vista[®] – могут в дальнейшем упоминаться под общим названием "Windows".

Регистрация

- Microsoft Windows[®], Windows[®] 95, Windows[®] 98, Windows[®] Me, WindowsNT[®] Workstation 4.0, Windows[®] 2000, Windows[®] XP и Windows Vista[®] являются либо зарегистрированными торговыми марками, либо торговыми марками корпорации "Microsoft" в Соединенных Штатах Америки, и/или в других странах.
- Названия компаний и наименования продуктов, которые описываются в настоящем руководстве, являются зарегистрированными торговыми марками, или торговыми марками каждой компании.

Содержание

Руководящие указания по безопасности	RUS-iii
1. Введение	RUS-1
1.1 Характерные особенности системы серии α2	RUS-2
1.2 Имеющиеся модели.....	RUS-4
1.3 Габариты и названия каждой части	RUS-5
1.4 Конфигурация системы	RUS-7
1.5 Перечень выпущенных версий	RUS-8
1.6 Применимое программное обеспечение для программирования	RUS-8
2. Технические характеристики	RUS-9
2.1 Параметры источника питания.....	RUS-9
2.2 Характеристики входных цепей	RUS-11
2.3 Характеристики выходных цепей	RUS-13
2.4 Общие характеристики.....	RUS-14
3. Установка	RUS-17
3.1 Замечания относительно монтажа.....	RUS-17
3.2 Установка главного блока на DIN-рейку	RUS-19
3.2.1 Установка	RUS-19
3.2.2 Отсоединение	RUS-19
3.3 Непосредственный монтаж главного блока	RUS-20
3.4 Установка модуля расширения (AL2-14MR-*,AL2-24MR-*)	RUS-21
4. Электрические соединения	RUS-23
4.1 Замечания по выполнению электрических соединений при инсталляции	RUS-23
4.2 Размеры сечений и разделка проводов.....	RUS-24
4.3 Источник питания.....	RUS-25
4.4 Электрические соединения с источником питания перем. тока и с входными цепями	RUS-26
4.4.1 Электрические соединения с источником питания перем. тока и с входными цепями	RUS-26
4.4.2 Электрические соединения во входных цепях AL2-4EX-A2.....	RUS-27
4.5 Электрические соединения с источником питания пост. тока и с входными цепями	RUS-28
4.5.1 Схема электрических соединений с источником питания пост. тока и с входными цепями (при подключении источника с общим "+").....	RUS-28
4.5.2 Схема электрических соединений с входными цепями, для AL2-4EX (при подключении источника с общим "+").....	RUS-29
4.5.3 Схема электрических соединений с источником питания пост. тока и с входными цепями со стоком (при подключении источника с общим "-")	RUS-30
4.5.4 Схема электрических соединений с входными цепями, для AL2-4EX, со стоком (при подключении источника с общим "-").....	RUS-31

4.6	Электрические соединения выходного реле и транзистора	RUS-32
4.6.1	Схема электрических соединений выходных реле главного блока (переменный ток и/или постоянный ток).....	RUS-32
4.6.2	Схема электрических соединений выходных цепей реле, AL2-4EYR (переменный ток и/или постоянный ток).....	RUS-33
4.6.3	Схема электрических соединений выходных цепей транзисторов, AL2-4EYT (Источник или только общий "+")	RUS-34
5.	Компоновка клеммной панели	RUS-37
6.	Карта памяти AL2-EEPROM-2	RUS-41
6.1	Установка	RUS-42
7.	Кабель AL-232CAB	RUS-43
7.1	Введение	RUS-43
7.1.1	Внешние размеры	RUS-43
7.2	Подключение кабеля AL-232CAB	RUS-44
8.	Кабель AL2-GSM-CAB	RUS-47
8.1	Введение	RUS-47
8.1.1	Внешние размеры	RUS-47
8.1.2	Конфигурация системы при использовании кабеля AL2-GSM-CAB.....	RUS-48
8.2	Установка	RUS-49
8.3	Дистанционное техническое обслуживание с использованием модема.....	RUS-51
8.3.1	Рекомендуемые типы модемов	RUS-51
8.3.2	Прямой кабель RS-232C между модемом и кабелем AL2-GSM-CAB	RUS-51
8.3.3	Установка параметров модема	RUS-52
9.	Плата AL2-ASI-BD (AL2-14MR-*, AL2-24MR-*).....	RUS-55
9.1	Введение	RUS-55
9.1.1	Внешние размеры	RUS-55
9.1.2	Конфигурация системы	RUS-56
9.2	Технические характеристики	RUS-56
9.3	Электрические соединения и Установка	RUS-57
9.3.1	Установка	RUS-57
9.3.2	Электрические соединения	RUS-58
9.4	Установка адреса управляемого устройства и диагностика	RUS-58
9.4.1	Установка адреса управляемого устройства	RUS-58
9.4.2	Проверки при индикации возможных ошибок	RUS-58

10. Радио часы DCF77	RUS-59
10.1 Введение	RUS-59
10.2 Конфигурация системы	RUS-60
10.3 Технические характеристики	RUS-60
10.4 Электрические соединения.....	RUS-62
10.4.1 Электрические соединения	RUS-62
10.4.2 Установка параметров DCF77 при использовании дисплея контроллера α2	RUS-63
10.4.3 Автоматический запуск	RUS-64
10.4.4 Автоматический останов.....	RUS-64
10.4.5 Проверка полученного значения времени.....	RUS-65
11. Модуль AL2-2DA (AL2-14MR-*, AL2-24MR-*).....	RUS-67
11.1 Введение	RUS-68
11.1.1 Внешние размеры	RUS-68
11.1.2 Конфигурация системы	RUS-69
11.2 Технические характеристики	RUS-69
11.3 Электрические соединения и инсталляция	RUS-70
11.3.1 Инсталляция	RUS-70
11.3.2 Электрические соединения	RUS-72
11.3.3 Проверки при возникновении вероятных ошибок.....	RUS-73
12. Модуль преобразователя AL2-2PT-ADP	RUS-75
12.1 Введение	RUS-76
12.1.1 Внешние размеры	RUS-76
12.2 Конфигурация системы	RUS-77
12.3 Технические характеристики	RUS-78
12.4 Электрические соединения и инсталляция	RUS-80
12.4.1 Инсталляция	RUS-80
12.4.2 Электрические соединения	RUS-81
12.4.3 Выбор температурной шкалы.....	RUS-83
12.4.4 Регулировка смещения	RUS-84
12.4.5 Регулировка коэффициента усиления.....	RUS-86
12.4.6 Точная регулировка смещения.....	RUS-88
12.4.7 Проверки при возникновении вероятных ошибок.....	RUS-89
13. Модуль преобразователя AL2-2TC-ADP	RUS-91
13.1 Введение	RUS-92
13.1.1 Внешние разме	RUS-92
13.2 Конфигурация системы	RUS-93
13.3 Технические характеристики	RUS-94
13.4 Электрические соединения и инсталляция	RUS-96
13.4.1 Инсталляция	RUS-96
13.4.2 Электрические соединения	RUS-97
13.4.3 Выбор температурной шкалы.....	RUS-99
13.4.4 Регулировка смещения	RUS-100
13.4.5 Регулировка коэффициента усиления.....	RUS-102
13.4.6 Точная регулировка смещения.....	RUS-104
13.4.7 Проверки при возникновении вероятных ошибок.....	RUS-105

14.Перечни клавиш, системных битов и ФБ.....	RUS-107
14.1 Перечни клавиш.....	RUS-107
14.2 Перечни системных битов	RUS-108
14.2.1 Перечень системных битов	RUS-108
14.2.2 Перечни управляющих битов	RUS-109
14.3 Перечни функциональных блоков (ФБ)	RUS-110
15.Диагностика.....	RUS-117
15.1 Ошибка состояния по входу.....	RUS-118
15.2 Ошибка состояния по выходу	RUS-118
15.3 Не отображается ВЕРХНЕЕ МЕНЮ	RUS-119
15.4 Не имеется возможности войти в режим работы.....	RUS-120
15.5 Неправильные данные часов	RUS-120
15.6 На дисплее появляется знак "?"	RUS-121
15.7 Не имеется возможности использовать операционную клавишу.....	RUS-121
15.8 Неправильное отображение на жидкокристаллическом дисплее	RUS-122
15.9 Кассета памяти функционирует некорректно.....	RUS-123
15.10 Не имеется возможности общения с главным модулем AS-интерфейса	RUS-124
15.11 Не имеется возможности общения с AL-PCS/WIN-E	RUS-125

1. Введение

Контроллер серии α2 можно легко использовать там, где необходим контроль для завода. Контроллер выполняет цикл включения/выключения в выходных цепях, с целью управления электрическим оборудованием, в соответствии с программой, задаваемой функциональным блоком.

Пояснения относительно инструкций и функционирования главного блока можно найти в Руководстве по программированию контроллера α2. Пояснения относительно программного обеспечения AL-PCS/WIN-E, используемого для программирования, можно найти в руководстве по программному обеспечению контроллеров серии α2.

Области применения

Контроллеры серии α2 рассчитаны на использование в прикладных целях для автоматизации, в областях, которые перечислены ниже:

- Автоматизация системы осветительных приборов, системы кондиционирования воздуха, или систем полива растений.
- Открытие и закрытие ворот
- Простые системы обеспечения безопасности
- Системы распределения кормов в области животноводства и для домашних животных
- Управление работой скотопригонных дворов и парников

Однако, контроллеры серии α2 не предназначены для использования в следующих областях. Пожалуйста, обратитесь к дистрибьютору компании "Мицубиси" для получения более полной информации.

- Области применения, в которых требуется высокая надежность, такие, как управление в области ядерной энергетики, железнодорожным транспортом, воздушным транспортом, наземными транспортными средствами, оборудованием управления горением, а также медицинским оборудованием.
- Области применения, которые являются критическими в плане безопасности для жизни человека.

1.1 Характерные особенности системы серии α2

- 1) Сообщения, выводимые на дисплей, и данные функционального блока.
В контроллере серии α2 имеется возможность отображать на жидкокристаллическом дисплее рабочее состояние и состояние аварийного сигнала в виде сообщения. Обеспечивается отображение следующего содержания, с использованием функционального блока отображения. Значения, установленные для отображаемых таймеров и счетчиков может быть изменено в режиме РАБОТА (RUN).
 - Общее количество символов на жидкокристаллическом дисплее: 12 символов x 4 строки
 - Выводимые на дисплей виды информации: Сообщение, значение (текущее или установленное) для таймера и счетчика, аналоговые величины и т. д.
- 2) Программирование в режиме работы с персональным компьютером выполняется быстро и легко.
Программное обеспечение AL-PCS/WIN-E для Windows способно создавать и сохранять программы. Программирование может осуществляться с использованием наглядного метода, при котором используются линии, соединяющие функциональные блоки в окне программирования.
Также имеется возможность выполнять непосредственное программирование с использованием клавишей, расположенных на передней панели контроллера α2.
- 3) Изображение на жидкокристаллическом экране пересылается по GSM модему.
Контроллеры серии α2 (AL2-14MR-*,AL2-24MR-*) способны пересылать изображение, выводимое на жидкокристаллический дисплей, в виде сообщения, передаваемого по электронной почте с использованием GSM модема. Пользователь может следить за состоянием выполнения прикладной задачи при помощи доступа к диагностическим сообщениям, посылаемым по электронной почте через GSM модем.
- 4) Связь с компьютером поддерживается при помощи специализированного протокола.
Контроллер серии α2 (AL2-14MR-*,AL2-24MR-*) поддерживает связь с компьютером (с помощью специализированного протокола). Специализированное по задачам пользователя прикладное программное обеспечение, при использовании линии связи с компьютером, дает возможность изменять плановые данные, параметры внутри функциональных блоков, и обеспечивает контроль состояния при выполнении прикладной задачи.
- 5) Усовершенствованная функция часов.
Еженедельный таймер и функции календарного таймера имеют множество переключателей, которые могут быть установлены на разные моменты срабатывания, и обеспечивают широкие возможности управления с временной зависимостью.
- 6) Аналоговые входы, 0 - 10В/0 - 500, -50 ° С - 200 ° С (датчик РТ 100), -50 ° С - 450 ° С (термопара К-типа):
Вход пост. тока контроллера серии α2 может воспринимать сигналы 0 - 10 В при разрешающей способности 0 - 500.
- 7) Аналоговый выход, 0 - 4000/0 - 10 В, 0 - 2000 / 4 - 20 мА:
Контроллер серии α2 может генерировать выходные сигналы в виде напряжения и тока.
- 8) Высокоскоростной счетчик, максимум 1 кГц
Контроллер серии α2 имеет высокоскоростные счетчики (максимум две позиции) при использовании блоков AL2-4EX (E11, E12).

9) Высокие возможности по величине выходного тока.

Таблица 1.1: Высокие возможности по величине выходного тока

Тип выходной цепи		Возможности по току
Реле	AL2-10MR-*: O01 - O04	8 А/Общий
	AL2-14MR-*: O01 - O06	
	AL2-24MR-*: O01 - O04	
	AL2-24MR-*: O05 - O09	2А/Позицию (4 А Общий)
	AL2-4EYR: EO1 - EO4	
Транзистор	AL2-4EYT: EO1 - EO4	1 А/Позицию

10) Встроенное электрически-стираемое программируемое постоянное запоминающее устройство.

Наличие встроенного электрически-стираемого программируемого постоянного запоминающего устройства исключает необходимость использовать аккумулятор для сохранения данных.

11) Поддержка 7-ми языков.

В контроллере серии α2 имеется поддержка 7-ми языков (английского, немецкого, французского, итальянского, испанского, шведского, а также русского). Язык для отображения информации на дисплее может быть выбран в главном меню.

*1 V3.00 или более поздняя

1.2 Имеющиеся модели

Таблица 1.2: Главные блоки.

Модель	Источник питания	Входная цепь		Выходная цепь		Размеры, мм (дюймы)	МАССА (Вес), кг (фунты)
		Тип	Кол-во	Тип	Кол-во		
AL2-10MR-A	100 – 240 В, перем. тока	100 – 240 В, перем. тока	6	РЕЛЕ	4	71,2 x 90 x 52	0,21 (0,47)
AL2-10MR-D	24 В пост. тока	24 В пост. тока Сток/Источник	6	РЕЛЕ	4	(2,8 x 3,54 x 2,05)	0,20 (0,44)
AL2-14MR-A	100 – 240 В, перем. тока	100 – 240 В, перем. тока	8	РЕЛЕ	6	124,6 x 90 x 52	0,30* ¹ (0,66)
AL2-14MR-D	24 В пост. тока	24 В пост. тока Сток/Источник	8	РЕЛЕ	6		
AL2-24MR-A	100 – 240 В, перем. тока	100 – 240 В, перем. тока	15	РЕЛЕ	9	(4,91 x 3,54 x 2,05)	0,35* ¹ (0,77)
AL2-24MR-D	24 В пост. тока	24 В пост. тока Сток/Источник	15	РЕЛЕ	9		

*1 Без расширительных модулей.

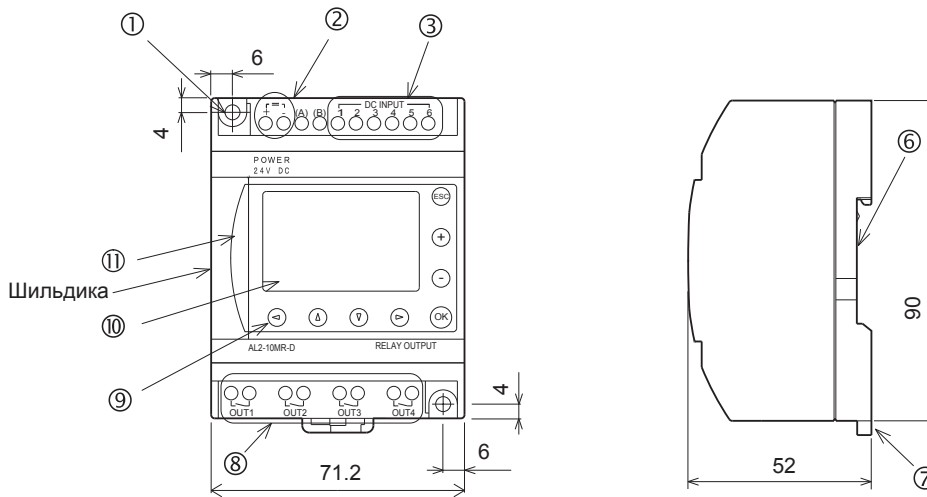
Таблица 1.3: Расширительные модули/Адаптеры

Модель	Входная цепь		Выходная цепь		МАССА (Вес), кг (фунты)
	Тип	Кол-во	Тип	Кол-во	
AL2-4EX-A2	220 – 240 В, перем. тока	4	—		0,05 (0,11)
AL2-4EX	24 В пост. тока Сток/Источник	4	—		
AL2-4EYR	—		РЕЛЕ	4	
AL2-4EYT	—		ТРАНЗИСТОР	4	
AL2-ASI-BD	Вход AS-интерфейс	4	Выход AS-интерфейс	4	
AL2-2DA* ¹	—		Аналоговый сигнал ("от 0 до 10В" или "от 4 до 20 Ма")	2	
AL2-2PT-ADP* ¹	Датчик температуры РТ100	2	Аналоговый сигнал (от 0 до 10 В)	2	
AL2-2TC-ADP* ¹	Датчик температуры термопарный (тип "К")	2	Аналоговый сигнал (от 0 до 10 В)	2	

*1 При использовании модулей AL2-2DA, AL2-2PT-ADP или AL2-2TC-ADP, версия главного модуля α2 должна быть V2.00, или более поздней.

1.3 Габариты и названия каждой части

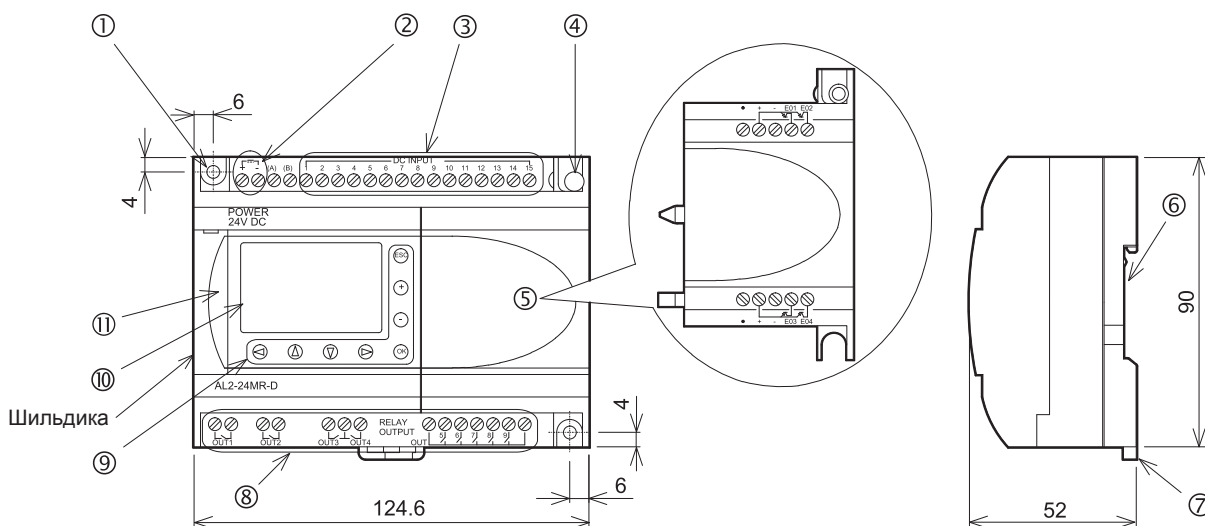
Рисунок 1.1: Название каждой части (AL2-10MR-*)



Печать шильдика

⚠ указывает на необходимость использования для расключения кабелей с соответствующей номинальной температурой эксплуатации (80°Сили более).

Рисунок 1.2: Название каждой части (AL2-14MR-*,AL2-24MR-*)



Печать шильдика

⚠ указывает на необходимость использования для расключения кабелей с соответствующей номинальной температурой эксплуатации (80°Сили более).

RUS

Таблица 1.4: Название каждой части

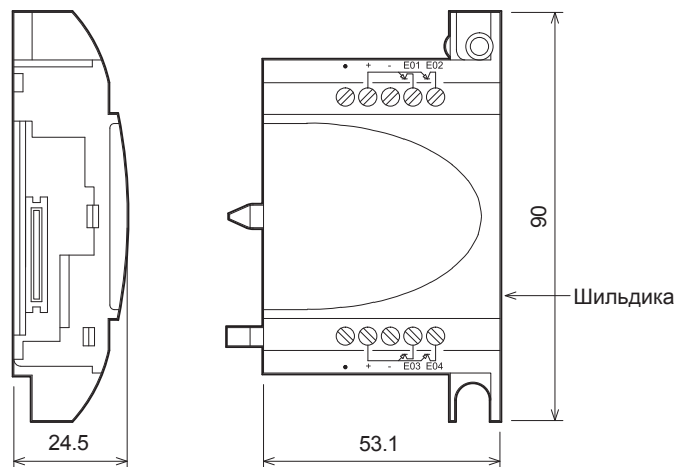
Номер позиции	Наименование позиции
1	Монтажное отверстие, φ4,2 мм
2	Контактные клеммы подключения питания
3	Контактные клеммы подключения входных цепей
4	Монтажный винт для присоединения корпуса расширителя или расширительного модуля
5	Крышка слота расширения или модуль расширения (AL2-14MR-*,AL2-24MR-*)
6	Место для крепления на DIN-рейку (Ширина рельса в стандарте DIN составляет 35 мм <DIN EN 50022>)
7	Защелка крепления на DIN-рейку
8	Выходные контактные клеммы
9	Операционные клавиши
10	Жидкокристаллический дисплей
11	Крышка порта связи для программирования



Примечание:

- Обратитесь к главе 7 для получения информации относительно габаритных размеров кабеля AL-232CAB.
- Обратитесь к главе 8 для получения информации относительно габаритных размеров кабеля AL2-GSM-CAB.
- Обратитесь к главе 9 для получения информации относительно габаритных размеров платы AL2-ASI-BD.
- Обратитесь к главе 11 для получения информации относительно габаритных размеров модуля расширения AL2-2DA.
- Обратитесь к главе 12 для получения информации относительно габаритных размеров преобразователя сигналов AL2-2PT-ADP.
- Обратитесь к главе 13 для получения информации относительно габаритных размеров преобразователя сигналов AL2-2TC-ADP.

Рисунок 1.3: Габариты (AL2-4EX, AL2-2EX-A2, AL2-4EYR, AL2-4EYT)



Печать шильдика

⚠ указывает на необходимость использования для расключения кабелей с соответствующей номинальной температурой эксплуатации (80°Сили более).

1.4 Конфигурация системы

Рисунок 1.4: Конфигурация системы (AL2-10MR-*)

Стандартное подключение к программному обеспечению для программирования

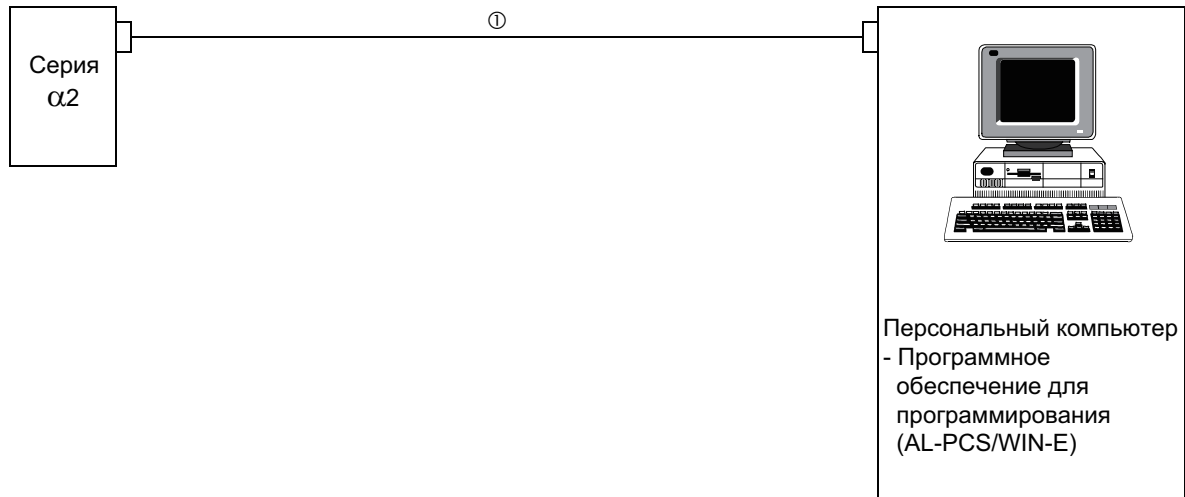


Рисунок 1.5: Конфигурация системы (AL2-14MR-*,AL2-24MR-*)

Стандартное подключение к программному обеспечению для программирования

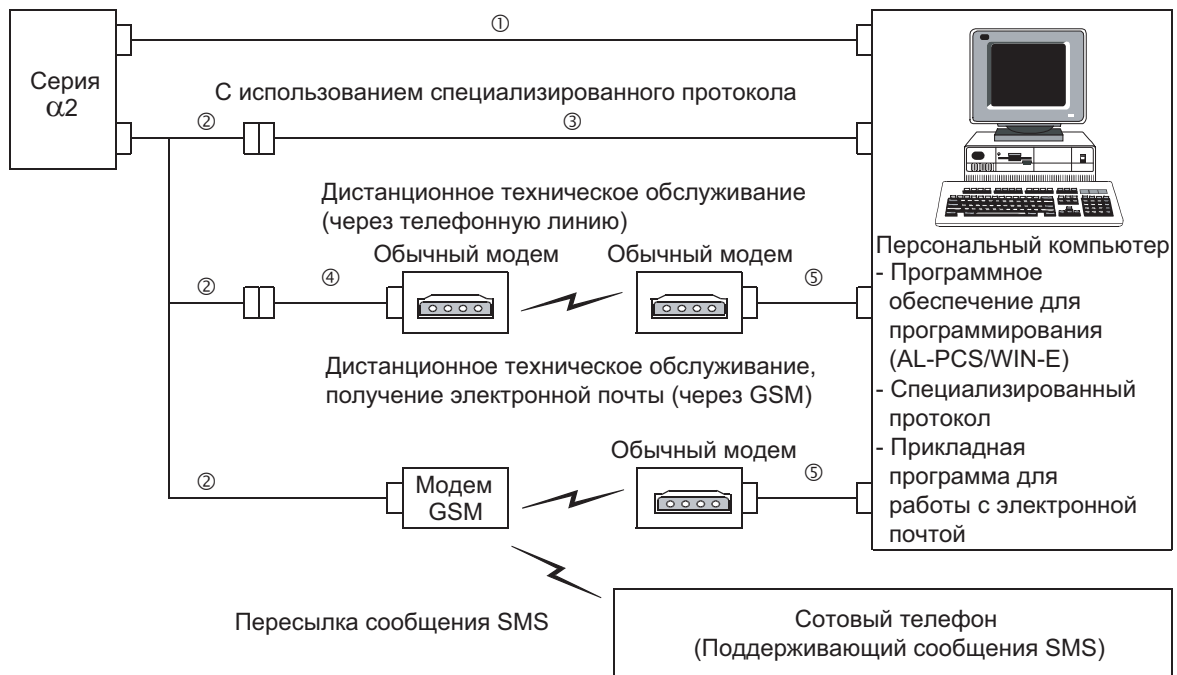


Таблица 1.5: Конфигурация системы

Номер позиции	Используемый кабель
1	AL-232CAB
2	AL2-GSM-CAB
3	RS-232C перекрестный кабель *1
4	RS-232C прямой кабель для модема *1
5	RS-232C прямой кабель для модема (указывается изготовителем модема)

*1 Дальнейшую информацию можно найти в главе 8.

1.5 Перечень выпущенных версий

Таблица 1.6: Хронология выпуска устройств серии α2

Версия	Описание
V1.00	Впервые выпущенное изделие
V2.00	Поддерживает работу следующих устройств: <ul style="list-style-type: none"> • Модулей AL2-2DA, AL2-2PT-ADP, AL2-2TC-ADP • Новых функциональных блоков АВ (Аналоговый выходной сигнал) и PID [управление PID] • Радио – часов DCF77
V2.20	Включает следующие особенности: <ul style="list-style-type: none"> • Новые функциональные блоки SMR [Прием коротких сообщений] и CD [Определение вызова] • Усовершенствованную защиту пользовательской программы. • Усовершенствованную настройку летнего времени. • Усовершенствованную связь по специализированному протоколу GSM SIM PIN • Строку инициализации модема
V3.00	Включает следующие особенности: <ul style="list-style-type: none"> • Счетчик моточасов резервируется в EEPROM (№ 197 - 200) • Считывание буфера дисплея специализированным протоколом • Добавлен русский язык

1.6 Применимое программное обеспечение для программирования

Таблица 1.7: Применимое программное обеспечение для программирования

Версия устройства серии α2	Версия программного обеспечения для программирования (AL-PCS/WIN-E)
V1.00	V2.00 или более поздняя
V2.00	V2.30 или более поздняя
V2.20	V2.40 или более поздняя
V3.00	V2.50 или более поздняя



Примечание:

- Версии программного обеспечения AL-PCS/WIN-E, ниже, чем V2.00, не обеспечивают связи с устройствами серии α2.
- Версии программного обеспечения AL-PCS/WIN-E, ниже, чем V2.30, не позволяют использовать модули расширения AL2-2DA, AL2-2PT-ADP или AL2-2TC-ADP

2. Технические характеристики



Примечание:

- Обратитесь к главе 9 для получения информации относительно технических характеристик платы AL2-ASI-BD.
- Обратитесь к главе 11 для получения информации относительно технических характеристик модуля расширения AL2-2DA.
- Обратитесь к главе 12 для получения информации относительно технических характеристик модуля расширения AL2-2PT-ADP.
- Обратитесь к главе 13 для получения информации относительно технических характеристик модуля расширения AL2-2TC-ADP.

2.1 Параметры источника питания

Таблица 2.1: Параметры источника питания

Наименование	Код	Значения параметров
Источник питания	AL2-***-A	100 – 240 В перем. тока, + 10% -15%, 50/60Гц
	AL2-***-D	24 В пост. тока, + 20% -15%
Максимальная продолжительность провала электропитания	AL2-***-A	10 мс
	AL2-***-D	5 мс
Пусковой ток	AL2-***-A, 240 В перем. тока (120 В перем. тока)	≤ 6,5 А (3,5 А) < 5 мс
	AL2-***-D, 24 В пост. тока	≤ 7,0 А
Максимальное потребление электроэнергии	AL2-10MR-A, 264 В перем. тока	4,9 Вт
	AL2-10MR-D, 28,8 В пост. тока	4,0 Вт
	AL2-14MR-A, 264 В перем. тока	5,5 Вт
	AL2-14MR-D, 28,8 В пост. тока	7,5 Вт
	AL2-24MR-A, 264 В перем. тока	7,0 Вт
	AL2-24MR-D, 28,8 В пост. тока	9,0 Вт

RUS

Таблица 2.1: Параметры источника питания

Наименование	Код	Значения параметров
Типичное значение потребления электроэнергии (без специальных соединительных модулей)	AL2-10MR-A, 240 В перем. тока	При всех включенных блоках ввода/вывода – 3,5 Вт; При всех выключенных блоках ввода/вывода – 1,85 Вт
	AL2-10MR-A, 120 В перем. тока	При всех включенных блоках ввода/вывода – 3,0 Вт; При всех выключенных блоках ввода/вывода – 1,55 Вт
	AL2-10MR-D, 24 В пост. тока	При всех включенных блоках ввода/вывода – 2,5 Вт; При всех выключенных блоках ввода/вывода – 0,75 Вт
	AL2-14MR-A, 240 В перем. тока	При всех включенных блоках ввода/вывода – 4,5 Вт; При всех выключенных блоках ввода/вывода – 2,0 Вт
	AL2-14MR-A, 120 В перем. тока	При всех включенных блоках ввода/вывода – 3,5 Вт; При всех выключенных блоках ввода/вывода – 1,5 Вт
	AL2-14MR-D, 24 В пост. тока	При всех включенных блоках ввода/вывода – 4,0 Вт; При всех выключенных блоках ввода/вывода – 1,0 Вт
	AL2-24MR-A, 240 В перем. тока	При всех включенных блоках ввода/вывода – 5,5 Вт; При всех выключенных блоках ввода/вывода – 2,5 Вт
	AL2-24MR-A, 120 В перем. тока	При всех включенных блоках ввода/вывода – 4,5 Вт; При всех выключенных блоках ввода/вывода – 2,0 Вт
	AL2-24MR-D, 24 В пост. тока	При всех включенных блоках ввода/вывода – 5,0 Вт; При всех выключенных блоках ввода/вывода – 1,0 Вт
Предохранитель	AL2-***-A AL2-10MR-D	Номинальная мощность: 250 В 1 А Тип: Задержка
	AL2-14MR-D AL2-24MR-D	Номинальная мощность: 250 В 500 мА Тип: Задержка

2.2 Характеристики входных цепей

Таблица 2.2: Характеристики входных цепей перем. тока.

Наименование		Характеристики входных цепей перем. тока		
		Главный модуль		AL2-4EX-A2
		AL2-10MR-A: I01-I06 AL2-14MR-A, AL2-24MR-A: I01-I08	AL2-24MR-A: I09 - I15	EI1 - EI4
Входное напряжение		100 – 240 В перем. тока, +10%, -15%, 50/60 Гц		220 – 240 В перем. тока, +10%, -15%, 50/60 Гц
Входной ток		0,13 мА/ 120 В перем. тока *1 0,25 мА/ 240 В перем. тока *1	0,15 мА/ 120 В перем. тока *1 0,29 мА/ 240 В перем. тока *1	7,5 мА/ 240 В перем. тока 50 Гц 9,0 мА/ 240 В перем. тока 60 Гц
Полное входное сопротивление		≥ 800 кОм		32 кОм (50 Гц) 27 кОм (60 Гц)
ВЫКЛ. → ВКЛ./ВКЛ → ВЫКЛ.		≥ 80 В / ≤ 40 В		≥ 160 В / ≤ 40 В
Время переходного процесса	ВЫКЛ. → ВКЛ.	35 – 85 мс, 120 В перем. тока 25 – 55 мс, 240 В перем. тока		15 – 40 мс/ 240 В перем. тока
	ВКЛ → ВЫКЛ.	35 – 85 мс, 120 В перем. тока 50 – 130 мс, 240 В перем. тока		
Гальваническая изоляция		Отсутствует		Оптронная пара
Индикация функционирования		жидкокристаллический дисплей		

*1 Утечки тока через датчики, подключенные к входным клеммам, могут обеспечить достаточно значительный ток для включения контроллера. Не используйте двухпроводные датчики.

Таблица 2.3: Характеристики входных цепей пост. тока.

Наименование			Сток (Общий "-")	Источник (Общий "+")
Входное напряжение			24 В пост. тока +20% -15%	24 В пост. тока +20% -15%
Входной ток	Главный модуль	AL2-10MR-D I01 - I06	5,5 мА, 24 В пост. тока	6,0 мА, 24 В пост. тока
		AL2-14MR-D I01 - I08		
	AL2-24MR-D I09 - I15	5,5 мА, 24 В пост. тока		
AL2-4EX		EI1 - EI4	5,4 мА, 24 В пост. тока	5,4 мА, 24 В пост. тока
ВЫКЛ. → ВКЛ./ВКЛ → ВЫКЛ.	Главный модуль	I01 - I15	Ток: ≥ 4,7 мА / ≤ 1,1 мА Напряжение: ≤ 4 В / ≥ 18 В	Напряжение: ≥ 18В / ≤ 4 В
	AL2-4EX	EI1 - EI4	Напряжение: ≥ 18В / ≤ 4 В	Напряжение: ≥ 18В / ≤ 4 В
Время переходного процесса	Главный модуль		10 – 20 мс	
	AL2-4EX*1		10 – 20 мс	

Таблица 2.3: Характеристики входных цепей пост. тока.

Наименование		Сток (Общий "-")	Источник (Общий "+")
Изолирующая цепь	Главный модуль	Не имеется	
	AL2-4EX	Оптронная пара	
Индикация функционирования		Жидкокристаллический дисплей	

*1 Устройства EI1 и EI2 в модуле AL2-4EX могут использоваться в качестве высокоскоростных счетчиков.

При использовании функции высокоскоростных счетчиков, время реакции на входной сигнал составляет 0,5 мс или менее.

Таблица 2.4: Характеристики аналоговых входных цепей

Наименование	Характеристики аналоговых входных цепей
Количество точек ввода входного сигнала	6 (I01 - I06) : AL2 - 10MR - D
	8 (I01 - I08) : AL2 - 14MR - D, AL2 - 24MR - D
Диапазон аналогового входного сигнала	0 - 500
Разрешение	9 разрядов, 20 мВ (10 В/500)
Время преобразования	8 мс
Входное напряжение	0 – 10 В пост. тока
Полное входное сопротивление	142 кОм ± 5%
Общая точность	± 5% (0,5 В пост. тока)
Смещение/Коэффициент усиления	Величина смещения = 0 при 0 В пост. тока Величина коэффициента усиления: 0 – 10 В = 0 – 500 Эти заданные по умолчанию величины могут быть изменены в функциональном блоке регулировки смещения/коэффициента усиления.
Температурный дрейф	± 3 наименьших значащих разряда

2.3 Характеристики выходных цепей

Таблица 2.5: Характеристики выходных реле

Наименование		Характеристики реле
Переключаемое напряжение		250 В перем. тока или менее, 30 В пост. тока, или менее
Максимальная резистивная нагрузка	AL2-10MR-* (O01 - O04)	8А/ОБЩ.
	AL2-14MR-* (O01 - O06)	
	AL2-24MR-* (O01 - O04)	2 А/точку (4 А/ОБЩ.)
	AL2-24MR-* (O05 - O09)	
	AL2-4EYR (EO1 - EO4)	
Ресурс контактов/ резистивная нагрузка	AL2-10MR-* (O01 - O04)	100000 циклов при токе 8 Ампер/240 В перем. тока или 24 В пост. тока
	AL2-14MR-* (O01 - O06)	
	AL2-24MR-* (O01 - O04)	
	AL2-24MR-* (O05 - O09)	100000 циклов при токе 2 Ампера/240 В перем. тока или 24 В пост. тока
	AL2-4EYR (EO1 - EO4)	
Минимальная нагрузка		50 мВт (10 мА при 5 В пост. тока)
Максимальная индуктивная нагрузка	AL2-10MR-* (O01 - O04)	249 ВА (1/3 л.с.)/125 В перем. тока, 373 ВА (1/2 л.с.)/250 В перем. тока
	AL2-14MR-* (O01 - O06)	
	AL2-24MR-* (O01 - O04)	
	AL2-24MR-* (O05 - O09)	93 ВА (1/8 л.с.)/125 В перем. тока, 93 ВА (1/8 л.с.)/250 В перем. тока
	AL2-4EYR (EO1 - EO4)	
Время переходного процесса		≤ 10 мс
Индикация функционирования		Жидкокристаллический дисплей
Гальваническая изоляция		Развязка при помощи реле

Таблица 2.6: Характеристики транзисторных выходных цепей (только для типа, рассчитанного на работу с входным источником) модуля AL2-4EYT

Наименование	Характеристики транзистора
Переключаемое напряжение	5 – 24 В пост. тока (+20%, -5%)
Максимальная резистивная нагрузка	1 А/точку (8 – 24 В пост. тока), 0,1 А/точку (5 – 8 В пост. тока)
Минимальная нагрузка	1,0 мА
Максимальная индуктивная нагрузка	1 А/24 В пост. тока (24 Вт)
Время переходного процесса Вкл./Выкл., Выкл./Вкл. (приблизительно)	≤ 1 мс
Токовая утечка при разомкнутой цепи	≤ 0,1 мА/24 В пост. тока
Индикация функционирования	Жидкокристаллический дисплей
Изолирующая цепь	Оптронная пара

RUS

2.4 Общие характеристики

Таблица 2.7: Характеристики защиты от воздействия окружающей среды и электрические характеристики.

Наименование	Характеристика
Метод программирования	Программирование с помощью функциональных блоков
Емкость памяти	200 функциональных блоков или 5000 байт
Сохранение программы	Встроенное электрически-стираемое программируемое постоянное запоминающее устройство (для хранения в памяти не требуется аккумулятор) или дополнительная кассета с электрически-стираемым программируемым постоянным запоминающим устройством (AL2-EEPROM-2)
Хранение программы в памяти устройства	20 дней при температуре 25°C/77° Фаренгейта (за счет заряда конденсатора)
Хранение данных часов реального времени	20 дней при температуре 25°C/77° Фаренгейта (за счет заряда конденсатора)
Точность часов реального времени	5 сек./день (25°C/77° Фаренгейта)
Диапазон рабочих температур	Аппаратная часть контроллера: (-25) – 55°C/(-13) – 131° Фаренгейта Дисплей контроллера: (-10) – 55°C/14 – 131° Фаренгейта
Температура хранения	(-30) – 70°C/(-22) – 158° Фаренгейта
Вибрационная устойчивость - Непосредственное крепление	Соответствует IEC 68-2-6; 10-57 Гц: постоянная амплитуда 0,15 мм 57 – 150 Гц: Ускорение 19,6 м/сек. ² Число размахов по координатам X,Y,Z: 10 раз (80 минут в каждом направлении)
Вибрационная устойчивость - Монтаж при помощи рельса в стандарте DIN	Соответствует IEC 68-2-6; 10-57 Гц: постоянная амплитуда 0,075 мм 57 – 150 Гц: Ускорение 9,8 м/сек. ² Число размахов по координатам X,Y,Z: 10 раз (80 минут в каждом направлении)
Ударная устойчивость	Соответствует IEC 68-2-27: Ускорение 147 м/сек. ² , Время воздействия: 11 мс 3 раза в каждом направлении X, Y, и Z
Помехоустойчивость	1000 В полный размах, 1 микросекунда, 30 – 100 Гц, испытан при помощи имитатора помехи
Влажность	Относительная влажность 35 – 85%, без конденсации
Напряжение, выдерживаемое диэлектрической изоляцией	3750 В переменного тока~ в течение одной минуты между указанными ниже точками. Контактные клеммы электропитания/входные клеммы, и выходные контактные клеммы реле Выходная контактная клемма реле и другая выходная контактная клемма реле Все контактные клеммы и стойка управления в стандарте DIN 43880, или эквивалентная стойка
Сопротивление изоляции	7 МΩ при 500 В постоянного тока между указанными ниже точками. Контактные клеммы электропитания/входные клеммы, и выходные контактные клеммы реле Выходная контактная клемма реле и другая выходная контактная клемма реле Все контактные клеммы и стойка управления в стандарте DIN 43880, или эквивалентная стойка

Таблица 2.7: Характеристики защиты от воздействия окружающей среды и электрические характеристики.

Наименование		Характеристика
Степень загрязнения окружающей среды		2
Заземление		Не имеется
Электрическая изоляция		Усиленная первичная/вторичная изоляция
Рабочая окружающая среда		Не должна содержать агрессивных газов. Содержание пыли должно быть минимальным.
Защита от воздействия окружающей среды		IP 20
Температура при испытаниях на давление шара		75°C (167° Фаренгейта)
Максимальная высота установки		<2000 м ^{*1}
Расположение оборудования		Внутри шкафа управления ^{*2}
Категория перенапряжения		II
Соответствие указаниам по электрической совместимости (ЕС)	EMC	EN61131-2: 2007
	LVD	EN61131-2: 2007 ^{*3} EN IEC 61010-2-201 ^{*3*4}
Сертификация UL/cUL		Номер файла: E95239 ^{*5}
Жидкокристаллический дисплей		Отображает 4 строки, по 12 символов в строке, Выполнение программы, режим Вкл./Выкл., Защита при помощи пароля, таблицу изображений, а также функциональные блоки во время программирования.

*1 Для исключения повреждения контроллеры серии α2 не могут быть использованы при давлении выше атмосферного .

*2 Предполагается, что контроллеры серии α2 устанавливается внутри помещений или в эквивалентной в среде.

*3 Контроллеры серии α2, изготовленные до 28.02.2018, соответствуют EN61131-2:2007, после 01.03.2018 соответствую EN IEC 61010-2-201.

*4 Некоторые модели, изготовленные после 01.01.2018, соответствуют EN IEC 61010-2-201

*5 Плата AL2-ASI-BD не соответствует этим стандартам.

RUS

Предостережение относительно соответствия директиве LVD (EN IEC 61010-2-201)

- Пожалуйста устанавливайте и используйте контроллеры серии α2 в металлические или экранированные шкафы в общепромышленных условиях.
- Контроллер серии α2 - это устройства открытого типа, которые должны устанавливаться и использоваться в металлических или экранированных панелях управления. Пожалуйста, закрепите крышку панели управления.
- В качестве шкафа управления используйте продукты, обладающие достаточной прочностью, огнестойкостью и соответствующие среде эксплуатации.
- Для подключений, отличных от клеммных соединений источника питания переменное напряжение и клемм входов/выходов переменное напряжение используйте отдельные линии с двойной/усиленной изоляцией.
- При подключении, пожалуйста, полностью вставьте кабель в клеммную колодку.
- Отключающие устройства, такие как автоматические выключатели или предохранители должны быть установлены в соответствии со следующими рекомендациями:
 - руководствуйтесь стандартами EN60947-1 или EN60947-3.
 - располагайте отключающие устройства в максимально удобных для работы местах.
 - выполните маркировку для однозначной идентификации отключаемой цепи и оборудования.

3. Установка

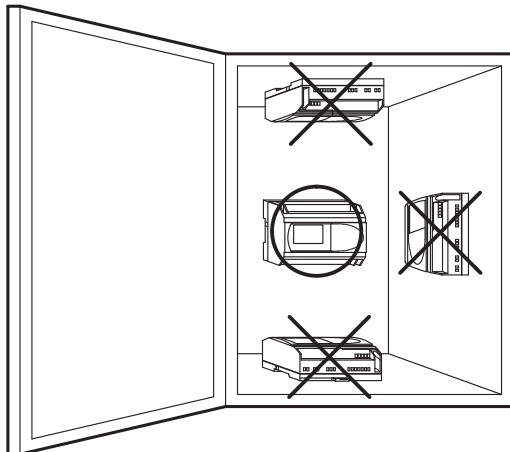
3.1 Замечания относительно монтажа



Устройства серии α2 безопасны по своей конструкции, и это означает, что пользователь может установить их практически в любом месте, тем не менее, пожалуйста, примите следующие аспекты во внимание.

- Не устанавливайте устройства в таких местах, где имеется чрезмерное содержание пыли, или пыль является электропроводящей, где присутствуют агрессивные или воспламеняющиеся газы, имеется повышенная влажность или где устройство может оказаться под дождем, где имеется чрезмерное тепловыделение, где устройство может оказаться подвержено регулярным ударным воздействиям или чрезмерной вибрации. Не помещайте контроллер в воду, и не допускайте протечек воды на контроллер.
- Не допускайте попадания строительного мусора внутрь устройства при выполнении его установки.
- Размещайте устройство, насколько это возможно, на удалении от высоковольтных кабелей и силового оборудования.
- Контроллер серии α2 должен быть установлен в распределительном ящике, или в стойке управления.
- Если компоновка шкафа в процессе его обслуживания допускает контакт обслуживающего персонала с контроллером α2, для исключения повреждения оборудования необходимо предусмотреть процедуру снятия статического заряда.

Рисунок 3.1: Требуемое расположение устройства при монтаже.



- При монтаже устройства с использованием монтажных отверстий под винты, применяйте винты M4.
- Соединители должны быть накрыты крышками с целью предотвращения поражения электрическим током при касании проводов, находящихся под напряжением.
- Оставляйте, как минимум, пространство 10 мм для вентиляции, между верхней и нижней кромкой контроллера серии α2, и ограждающими его стенками стойки.
- Не разбирайте контроллер серии α2.



Примечание:

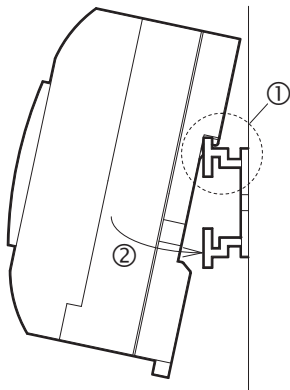
- Обратитесь к главе 6 при подключении, или при отсоединении кассеты памяти AL2-EEPROM-2.
- Обратитесь к главе 7 при подключении, или при отсоединении кабеля AL-232CAB.
- Обратитесь к главе 8 при подключении, или при отсоединении кабеля AL2-GSM-CAB.
- Обратитесь к главе 9 при подключении, или при отсоединении платы AL2-ASI-BD.
- Обратитесь к главе 11 при подключении, или при отсоединении модуля AL2-2DA.
- Обратитесь к главе 12 при подключении, или при отсоединении модуля AL2-2PT-ADP.
- Обратитесь к главе 13 при подключении, или при отсоединении модуля AL2-2TC-ADP.

3.2 Установка главного блока на DIN-рейку

Устройство можно монтировать на защелке, при помощи крепления к 35 – миллиметровой DIN-рейке (DIN EN 50022). Для отсоединения, оттяните подпружиненные защелки в сторону от DIN-рейки, и снимите устройство сдвинув его вверх.

3.2.1 Установка

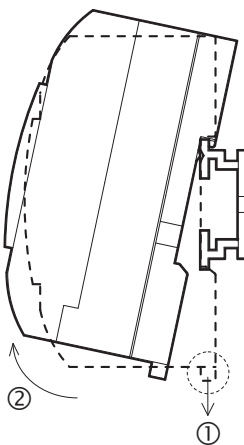
Рисунок 3.2: Установка



Совместите верхний край канавки, имеющейся на корпусе контроллера серии α2, и предназначенной для монтажа на DIN-рейку, с краем рельса (①), и надвиньте устройство на рельс (②).

3.2.2 Отсоединение

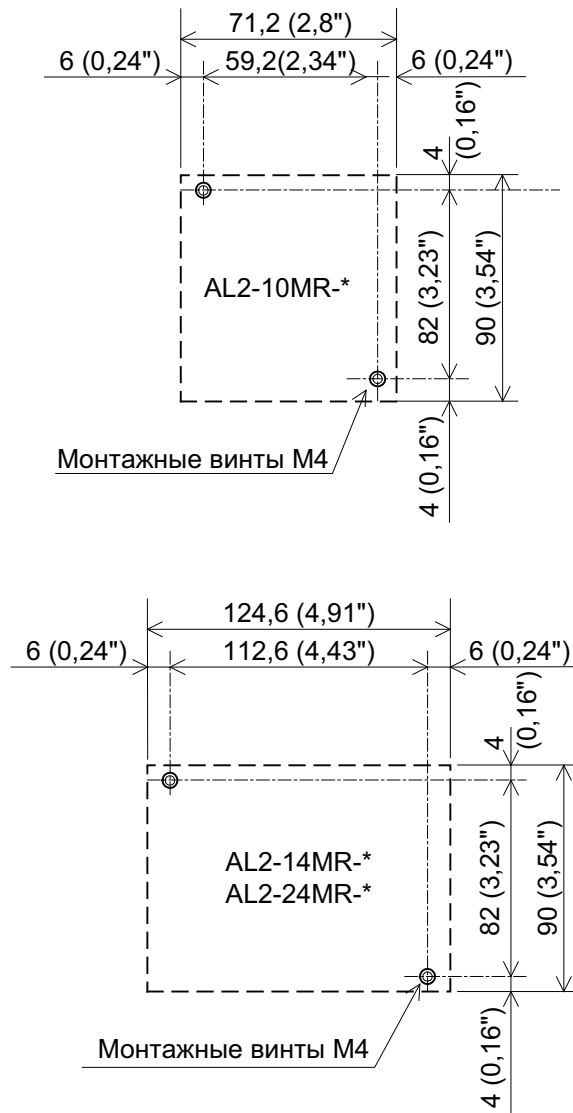
Рисунок 3.3: Отсоединение



Оттяните вниз крючок зацепления с DIN-рейку (①), и отсоедините главный блок серии α2 от рельса (②).

3.3 Непосредственный монтаж главного блока

Рисунок 3.4: Непосредственный монтаж



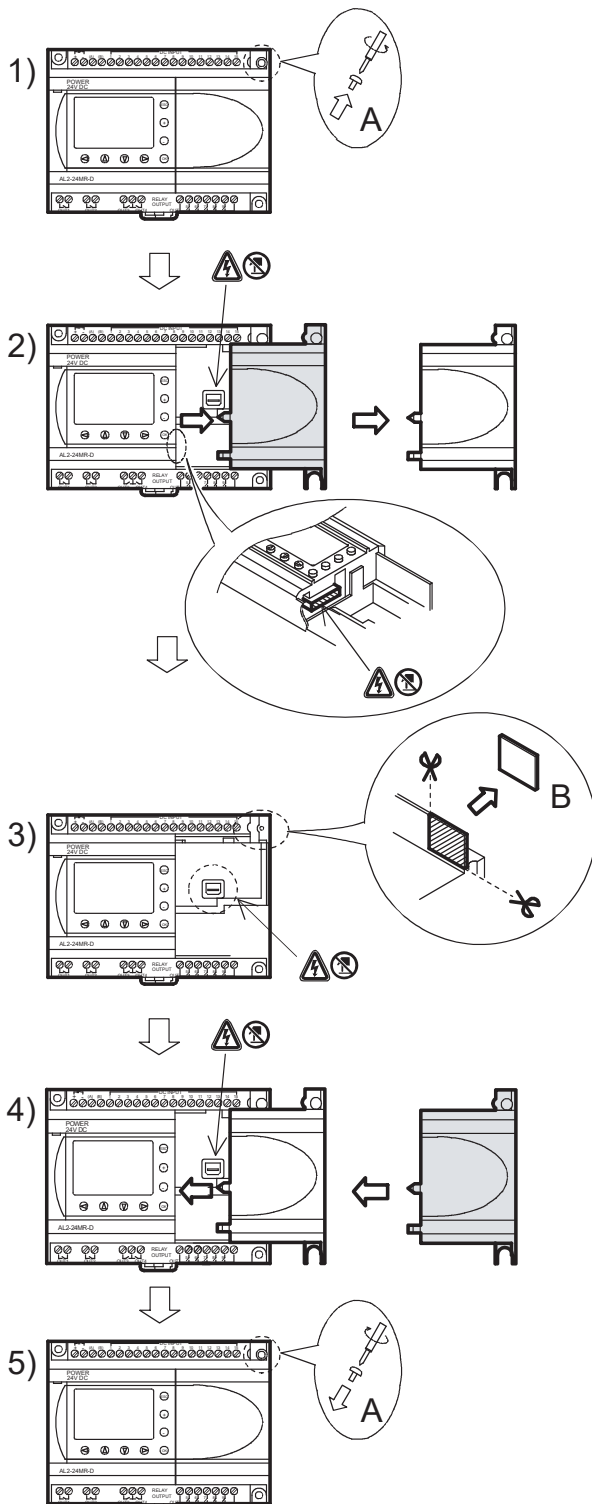
3.4 Установка модуля расширения (AL2-14MR-*,AL2-24MR-*)



Предостережение:

Перед тем, как снять крышку модуля, отсоедините кабели электропитания от всех контактных клемм.

Рисунок 3.5: Установка



1) Отвинтите винт "А".

2) Осторожно снимите установленную на заводе-изготовителе крышку порта связи модуля расширения.

3) Срежьте секцию "В" на корпусе главного блока контроллера серии α2.

4) Присоедините модуль расширения к главному блоку.

5) Затяните винт "А" с вращательным моментом 0,4 Н·м.

: Опасность поражения электрическим током.

: Не прикасайтесь к токоведущим частям изделия напрямую.

Для заметок

4. Электрические соединения



Примечание:

- Обратитесь к главе 9 при выполнении электрических соединений платы AL2-ASI-BD.
- Обратитесь к главе 11 при выполнении электрических соединений модуля AL2-2DA.
- Обратитесь к главе 12 при выполнении электрических соединений модуля AL2-2PT-ADP.
- Обратитесь к главе 13 при выполнении электрических соединений модуля AL2-2TC-ADP.

4.1 Замечания по выполнению электрических соединений при инсталляции



Контроллер серии α2 спроектирован с таким расчетом, чтобы обеспечить безопасность и простоту выполнения электрических соединений. Все задачи, связанные с выполнением электрических соединений в контроллерах серии α2 должен выполнять электротехник, или инженер, прошедший подготовку в соответствии с местными и государственными стандартами, устанавливающими требования к выполнению электромонтажных работ. Необходимо **ВЫКЛЮЧИТЬ** электропитание перед тем, как будут выполняться любые операции по электромонтажу.

- Провода входных и выходных цепей не должны проходить в одной и том же многожильном кабеле; один и тот же провод не должен использоваться для создания входных и выходных цепей.
- Нельзя прокладывать входные/выходные кабели вблизи высоковольтных силовых кабелей.
- Длина входных и выходных кабелей должна быть не более 30 м (98 футов 5 дюймов).

Необходимо учитывать падение напряжения и наличие шумовых помех при использовании входных/выходных кабельных линий, проложенных на значительном протяжении. Пожалуйста, используйте провода, сечение которых подобрано в соответствии с токовой нагрузкой.



Контактная клемма рассчитана на применение плоской отвертки размером 3 мм.

4.2 Размеры сечений и разделка проводов

Произведите подключение входных и выходных цепей, используя следующие типы проводов. Произведите зачистку изоляции проводов на указанную ниже длину (Смотрите Таблицу 4.1 и Рисунок 4.1). Пожалуйста, отвинтите зажимные винты соединительных клемм до получения максимальной ширины канала, перед вводом в канал подключаемого провода. Вставляйте зачищенный участок провода в контактную клемму полностью, с тем, чтобы обеспечить надежное соединение.

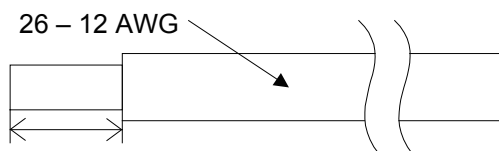
Контактная клемма рассчитана на применение плоской отвертки размером 3 мм.

Таблица 4.1: Размеры сечений и разделка проводов

	Размеры сечений проводов	Длина участка, зачищаемого от изоляции
Главный блок	26 – 12 AWG (0,13 – 3,31 мм ²)	7 мм ± 0,5 мм
Расширительный модуль	24 – 14 AWG (0,2 – 2,5 мм ²)	6 мм ± 0,5 мм

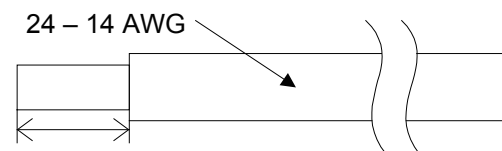
Рисунок 4.1: Длина зачищаемого участка проводов

Главный блок



7 мм (0,276 дюйма) ± 0,5 мм (0,02 дюйма)
Температурный номинал: мин. 80 °C (176 °F)

Модуль расширения



6 мм (0,236 дюйма) ± 0,5 мм (0,02 дюйма)
Температурный номинал: мин. 80 °C (176 °F)



Примечание:

- Для того, чтобы исключить повреждение провода, затягивайте его при величине вращательного момента 0,5 – 0,6 Н-м.
- Пожалуйста, не используйте на зачищенном участке провода олово, припой, или любое другое вещество, которое может повредить стренгу провода.
 - Многопроволочный скрученный провод:
Удалите слой изоляции, скрутите проволочки, составляющие жилу провода, после чего присоедините провод (или используйте надевающийся на жилу провода, обжимной контактный хомутик)
 - Одинарный провод:
Удалите слой изоляции, после чего присоедините провод.

4.3 Источник питания



- При выполнении электрических соединений с источником питания перемен. тока, фазный провод должен быть подключен к контактной клемме "L", а нейтральный провод должен быть подключен к контактной клемме "N". НЕ ПОДКЛЮЧАЙТЕ фазный провод к контактной клемме "N", пользователь может получить опасный удар током при включении электропитания.
- При выполнении электрических соединений с источником питания пост. тока "положительный" провод должен быть подключен к контактной клемме "+", а провод отрицательной полярности должен быть подключен к контактной клемме "-". Контактные клеммы, которые предназначены для подключения источника электропитания, ни в коем случае не должны быть соединены ни с какими другими контактными клеммами, имеющимися на устройстве. Источники питания пост. тока должны быть способны обеспечивать потребляемый ток величиной 4 Ампера для контроллера.

Рисунок 4.2: Рекомендуемая схема электрических соединений источника электропитания с контактными клеммами питания

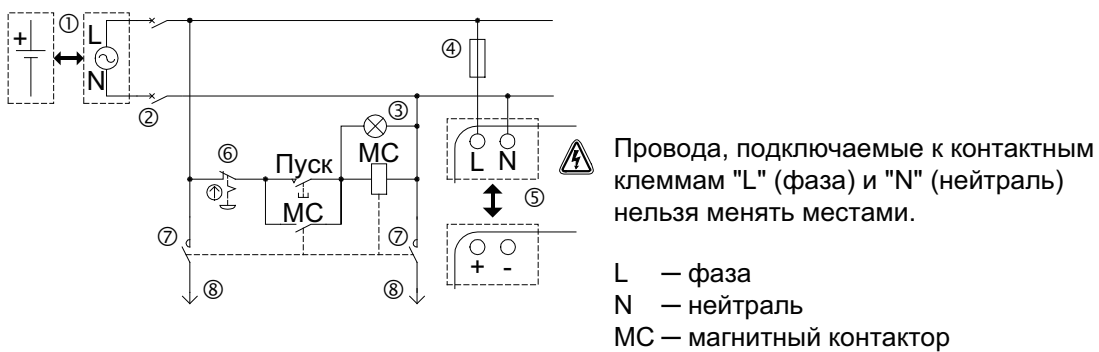


Таблица 4.2: Рекомендуемая схема соединения с источником электропитания

Номер позиции на схеме	Наименование позиции
1	Источник электропитания AL2-***-A: 100-240 В перемен. тока, 50/60 Гц AL2-***-D: 24 В пост. тока
2	Устройство отсоединения цепи
3	Сигнальный индикатор включения электропитания
4	Устройство защиты схемы – Ограничение до 1,0 А
5	Главный блок контроллера серии α2
6	Аварийный выключатель
7	Контакты магнитного выключателя
8	Электропитание для нагрузок

RUS

4.4 Электрические соединения с источником питания перемен. тока и с входными цепями

4.4.1 Электрические соединения с источником питания перемен. тока и с входными цепями

Рисунок 4.3: Схема электрических соединений с источником питания перемен. тока и входными цепями



Таблица 4.3: Электрические соединения с источником питания перемен. тока и с входными цепями

Номер позиции на схеме	Наименование позиции
1	Источник питания перемен. тока, 100 – 240 В перемен. тока, 50/60 Гц
2	Устройство отсоединения цепи
3	Устройство защиты схемы – Ограничение до 1,0 А
4	Контактные клеммы подключения источника электропитания перемен. тока
5	Неиспользуемые контактные клеммы
6	Входные контактные клеммы
7	Цифровые входные выключатели

4.4.2 Электрические соединения во входных цепях AL2-4EX-A2

Рисунок 4.4: Схема электрических соединений с входными цепями, для AL2-4EX-A2

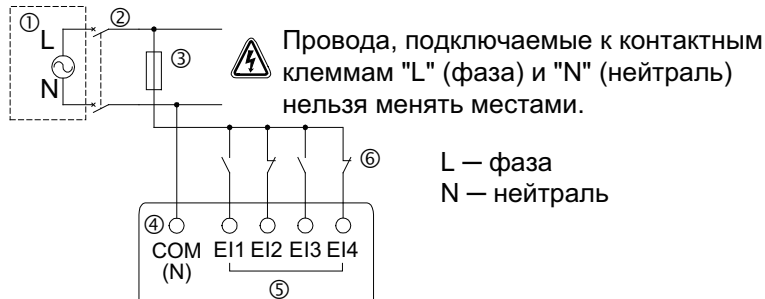


Таблица 4.4: Электрические соединения с источником питания перем. тока и с входными цепями

Номер позиции на схеме	Наименование позиции
1	Источник питания перем. тока, 220 – 240 В перем. тока, 50/60 Гц
2	Устройство отсоединения цепи
3	Устройство защиты схемы – Ограничение до 1,0 А
4	Контактная клемма ОБЩ. (N)
5	Входные контактные клеммы
6	Цифровые входные выключатели

4.5 Электрические соединения с источником питания пост. тока и с входными цепями

4.5.1 Схема электрических соединений с источником питания пост. тока и с входными цепями (при подключении источника с общим "+")

Рисунок 4.5: Схема электрических соединений с источником питания пост. тока и с входными цепями (при подключении источника с общим "+")

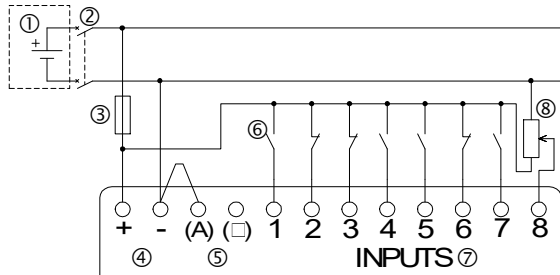


Таблица 4.5: Электрические соединения с источником питания пост. тока (при подключении источника с общим "+") и с входными цепями

Номер позиции на схеме	Наименование позиции
1	Источник питания пост. тока, 24 В пост. тока
2	Устройство отсоединения цепи
3	Устройство защиты схемы – Ограничение до 1,0 А
4	Контактные клеммы подключения источника электропитания пост. тока
5	Входные контактные клеммы для электрического соединения с стоком/источником
6	Входные датчики – выключатели
7	Входные контактные клеммы
8	Аналоговый вход

4.5.2 Схема электрических соединений с входными цепями, для AL2-4EX (при подключении источника с общим "+")

Рисунок 4.6: Схема электрических соединений с входными цепями, для AL2-4EX (при подключении источника с общим "+")

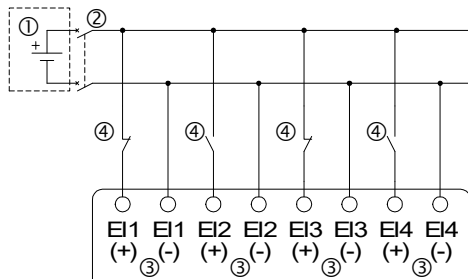


Таблица 4.6: Электрические соединения с источником питания пост. тока (при подключении источника с общим "+") и с входными цепями

Номер позиции на схеме	Наименование позиции
1	Источник питания пост. тока, 24 В пост. тока
2	Устройство отсоединения цепи
3	Входные контактные клеммы
4	Входные датчики – выключатели



Примечание:

Каждая из входных контактных клемм (EI1 – EI4) может быть использована в качестве входа для подключения источника, либо в качестве входа для подключения стока.

4.5.3 Схема электрических соединений с источником питания пост. тока и с входными цепями со стоком (при подключении источника с общим "-")

Рисунок 4.7: Схема электрических соединений с источником питания пост. тока и с входными цепями со стоком (при подключении источника с общим "-")

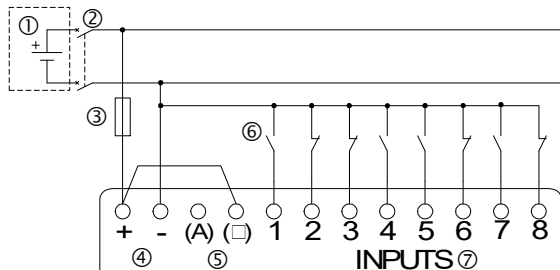


Таблица 4.7: Электрические соединения с источником питания пост. тока и с входными цепями, со стоком (при подключении источника с общим "-")

Номер позиции на схеме	Наименование позиции
1	Источник питания пост. тока, 24 В пост. тока
2	Устройство отсоединения цепи
3	Устройство защиты схемы – Ограничение до 1,0 А
4	Контактные клеммы подключения источника электропитания пост. тока
5	Входные контактные клеммы для электрического соединения с стоком/источником
6	Входные датчики – выключатели
7	Входные контактные клеммы

4.5.4 Схема электрических соединений с входными цепями, для AL2-4EX, со стоком (при подключении источника с общим "-")

Рисунок 4.8: Схема электрических соединений с входными цепями, для AL2-4EX, со стоком (при подключении источника с общим "-")

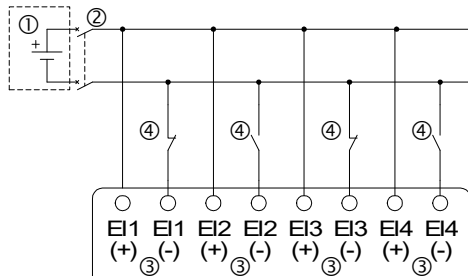


Таблица 4.8: Электрические соединения с источником питания пост. тока и с входными цепями, со стоком (при подключении источника с общим "-")

Номер позиции на схеме	Наименование позиции
1	Источник питания пост. тока, 24 В пост. тока
2	Устройство отсоединения цепи
3	Входные контактные клеммы
4	Входные датчики – типа "сухой контакт"



Примечание:

Каждая из входных контактных клемм (E11 – E14) может быть использована в качестве входа для подключения источника, либо в качестве входа для подключения стока.

4.6 Электрические соединения выходного реле и транзистора

4.6.1 Схема электрических соединений выходных реле главного блока (переменный ток и/или постоянный ток)

Рисунок 4.9: Схема электрических соединений выходных реле главного блока (переменный ток и/или постоянный ток)

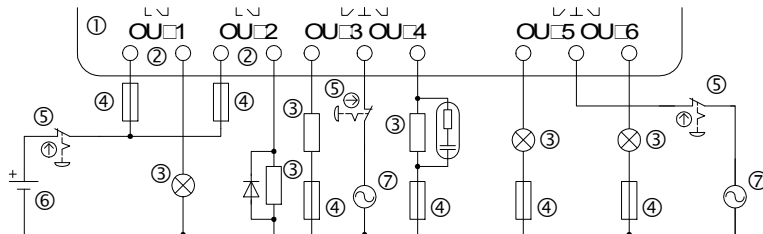


Таблица 4.9: Электрические соединения выходных реле главного блока (переменный ток и/или постоянный ток)

Номер позиции на схеме	Наименование позиции
1	Главный блок контроллера серии α2
2	Взаимно – исключаящие выходы
3	Выходные устройства
4	Устройства защиты схемы (Смотрите Таблицу 4.10)
5	Аварийный выключатель
6	Источник питания пост. тока
7	Источник питания перем. тока

Таблица 4.10: Таблица элементов защиты выходных цепей реле

Модель	Номера выходов	Максимальная резистивная нагрузка	Элемент защиты цепи (плавкий предохранитель)
AL2-10MR-*	O01-O04	8 А/общий	≤ 10 А/Цепь
AL2-14MR-*	O01-O06		≤ 10 А/Цепь
AL2-24MR-*	O01-O04		≤ 10 А/Цепь
	O05-O09	2 А/точку (4 А/общий)	≤ 3 А/Цепь

4.6.2 Схема электрических соединений выходных цепей реле, AL2-4EYR (переменный ток и/или постоянный ток)

Рисунок 4.10: Схема электрических соединений выходных цепей реле, AL2-4EYR (переменный ток и/или постоянный ток)

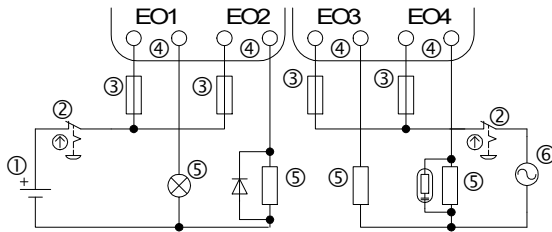


Таблица 4.11: Электрические соединения выходных цепей реле, AL2-4EYR (переменный ток и/или постоянный ток)

Номер позиции на схеме	Наименование позиции
1	Источник питания пост. тока
2	Аварийный выключатель
3	Устройство защиты схемы (Предохранитель: ≤ 3 А)
4	Взаимно – исключаящие выходы
5	Выходные устройства
6	Источник питания перем. тока

Таблица 4.12: Таблица элементов защиты выходных цепей реле

Модель	Номера выходов	Максимальная резистивная нагрузка	Элемент защиты цепи (плавкий предохранитель)
AL2-4EYR	EO1-EO4	2 А/общий	≤ 3 А/Цепь

4.6.3 Схема электрических соединений выходных цепей транзисторов, AL2-4EYT (Источник или только общий "+")

Рисунок 4.11: Схема электрических соединений выходных цепей транзисторов, AL2-4EYT (Источник/только общий "+")

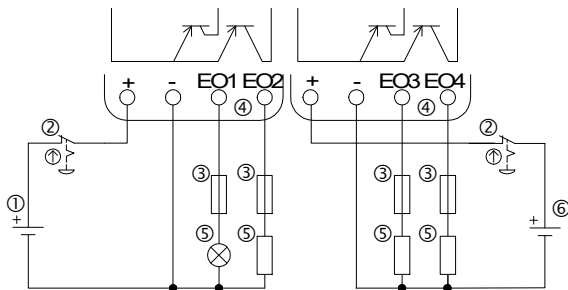


Таблица 4.13: Электрические соединения выходных цепей транзисторов

Номер позиции на схеме	Наименование позиции
1	Источник питания пост. тока: 24 В пост. тока
2	Аварийный выключатель
3	Устройство защиты схемы – Смотрите Таблицу 4.14, в которой указаны характеристики
4	Контактная клемма источника питания
5	Выходные устройства
6	Источник питания пост. тока: 12 В пост. тока

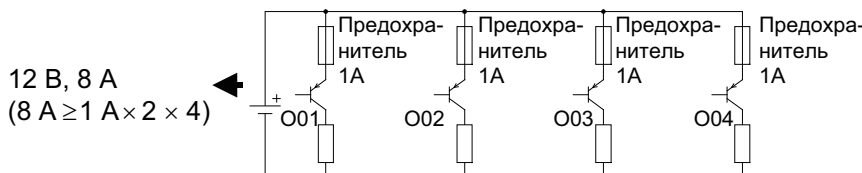
Таблица 4.14: Таблица элементов защиты выходных цепей транзисторов

Напряжение, приложенное к цепи	Элемент защиты цепи (плавкий предохранитель)
5 В пост. тока	$\leq 0,3 \text{ A/Цепь}$
12 В пост. тока	$\leq 2,0 \text{ A/Цепь}^{*1}$
24 В пост. тока	$\leq 2,0 \text{ A/Цепь}^{*1}$

*1 Ток, обеспечиваемый источником питания \geq (величины тока предохранителя) $\times 2$



Рисунок 4.12: Пример расчета величины тока, обеспечиваемой источником, исходя из величины тока предохранителя (выбранного с учетом параметров транзистора)





Примечание:

Таблица 4.15: Примечания относительно подключения выходных соединительных клемм

Значения напряжений, вольты	Примечания относительно подключения выходных соединительных клемм
5	Каждая цепь может включать в себя соединение с одной выходной контактной клеммой, и вплоть до соединений с каждой выходной контактной клеммой.
12-24	Каждая цепь может включать в себя соединение с одной выходной контактной клеммой, и вплоть до соединений с каждой выходной контактной клеммой.
5,12,24	В случае, если для подачи напряжений каждого указанного уровня используются отдельные цепи, имеется возможность использовать любую комбинацию выходов с напряжениями 5 вольт, 12 вольт, и 24 вольт на одном контроллере серии $\alpha 2$

Для заметок

5. Компоновка клеммной панели



Примечание:

- Обратитесь к главе 9 относительно компоновки контактных клемм платы AL2-ASI-BD.
- Обратитесь к главе 11 относительно компоновки контактных клемм модуля AL2-2DA.
- Обратитесь к главе 12 относительно компоновки контактных клемм модуля AL2-2PT-ADP.
- Обратитесь к главе 13 относительно компоновки контактных клемм модуля AL2-2TC-ADP.

Рисунок 5.1: Устройство AL2-10MR-A, входные клеммы для подачи напряжений перем. тока, выходные клеммы реле

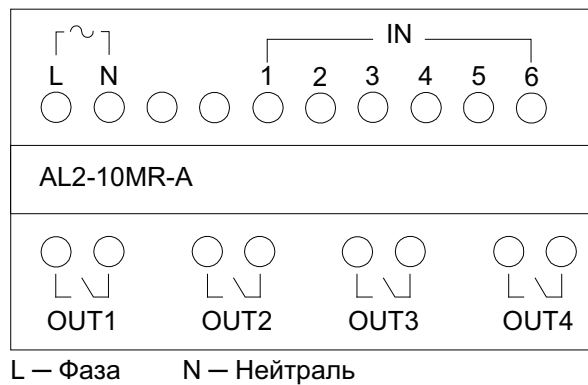
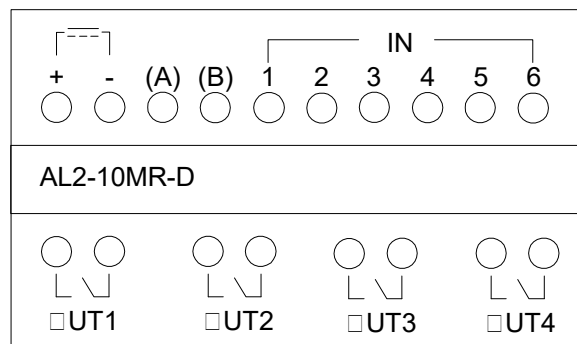


Рисунок 5.2: Устройство AL2-10MR-D, входные клеммы для подачи напряжений пост. тока, выходные клеммы реле



RUS

Рисунок 5.3: Устройство AL2-14MR-A, входные клеммы для подачи напряжений перем. тока, выходные клеммы реле

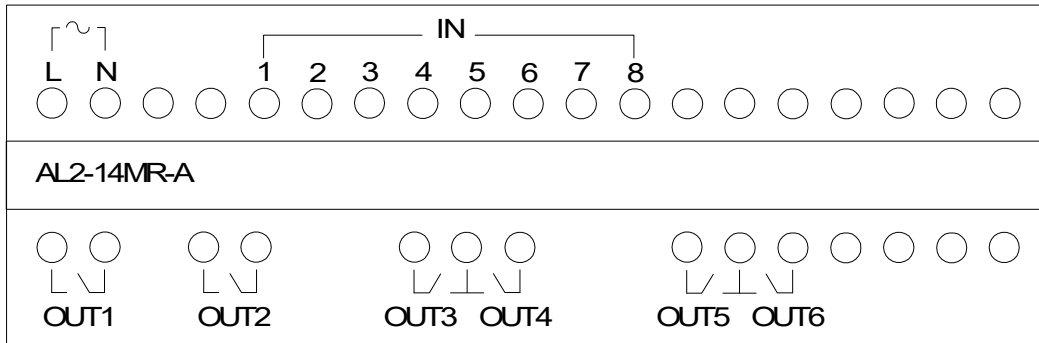


Рисунок 5.4: Устройство AL2-14MR-D, входные клеммы для подачи напряжений пост. тока, выходные клеммы реле

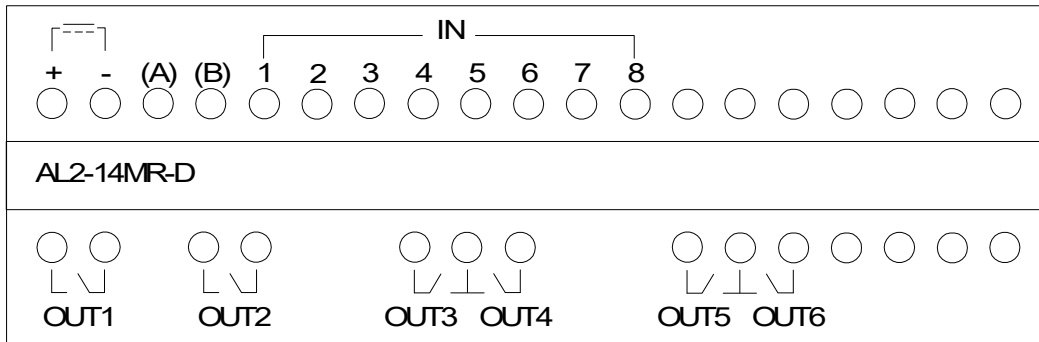


Рисунок 5.5: Устройство AL2-24MR-A, входные клеммы для подачи напряжений перем. тока, выходные клеммы реле

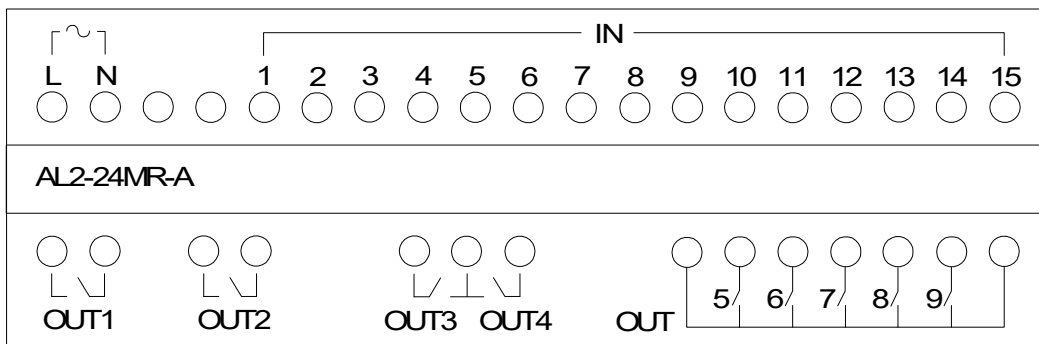


Рисунок 5.6: Устройство AL2-24MR-D, входные клеммы для подачи напряжений пост. тока, выходные клеммы реле

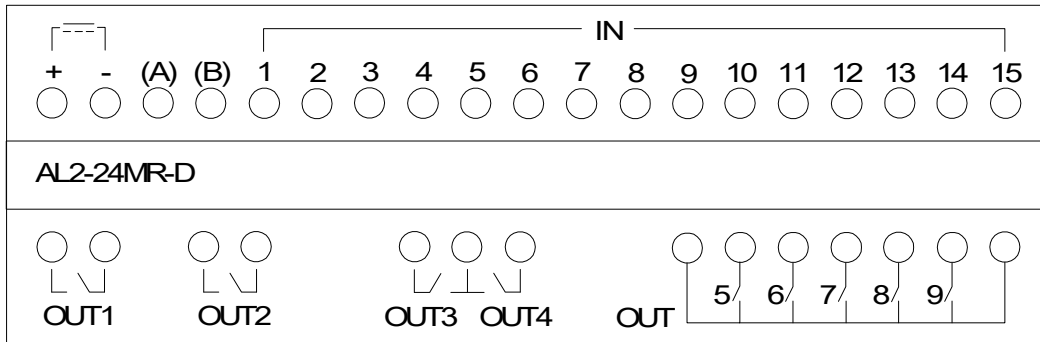


Рисунок 5.7: Устройство AL2-4EX-A2, входные клеммы для подачи напряжений 220 – 240 В перем. тока

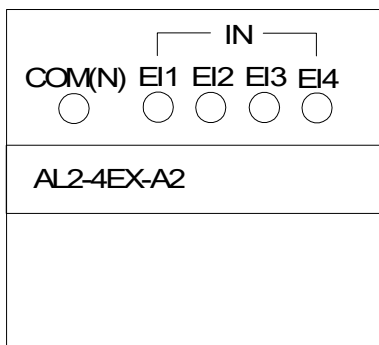


Рисунок 5.8: Устройство AL2-4EX, входные клеммы для подачи напряжений пост. тока

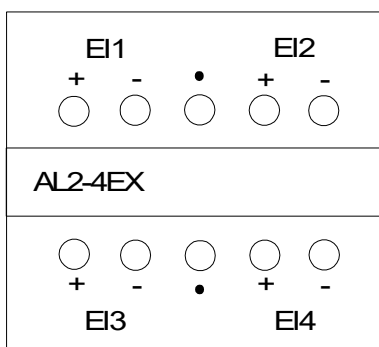


Рисунок 5.9: Устройство AL2-4EYR, выходные клеммы реле

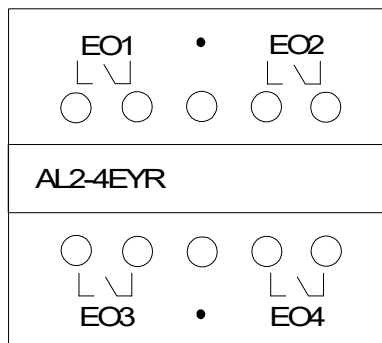
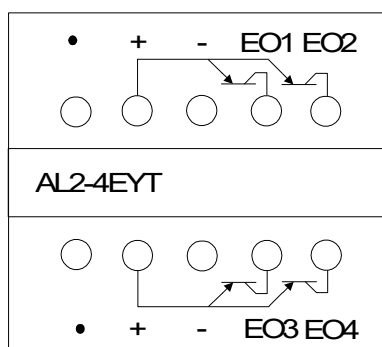


Рисунок 5.10: Устройство AL2-4EYT, выходные клеммы транзисторов



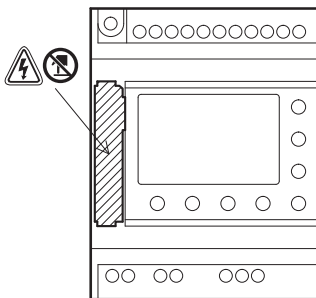
6. Карта памяти AL2-EEPROM-2

Кассета запоминающего устройства AL2-EEPROM-2 предназначена для использования только совместно с контроллером серии α2 (Модель: AL2-**M*-*).




Предостережение

- Замену кассеты запоминающего устройства должны выполнять лица, прошедшие обучение в соответствии с местными и государственными стандартами, относящимися к электронным устройствам.
- При инсталляции, или при отключении кассеты запоминающего устройства необходимо отключить электропитание.
- После отсоединения кассеты запоминающего устройства необходимо установить на место крышку.
- При установке крышки соединителя, или кассеты запоминающего устройства контроллера серии α2, проявляйте осторожность, чтобы не прищемить палец.
- НЕ ПРИКАСАЙТЕСЬ к указанной ниже части, когда снимаете крышку, или отсоединяете кассету запоминающего устройства.

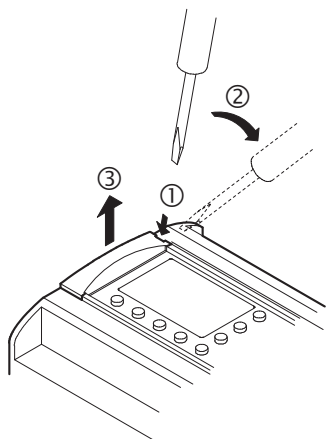


: Опасность поражения электрическим током.

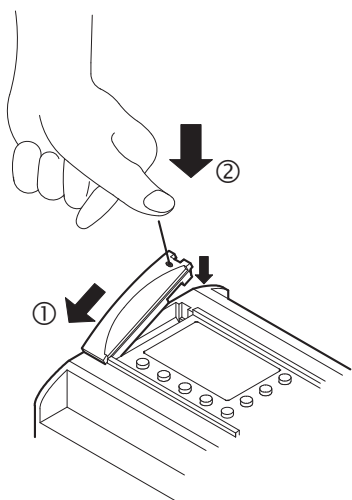
: Не прикасайтесь к токоведущим частям изделия напрямую.

6.1 Установка

1) Снимите крышку кассеты запоминающего устройства



2) Установите на место крышку кассеты запоминающего устройства



7. Кабель AL-232CAB

7.1 Введение

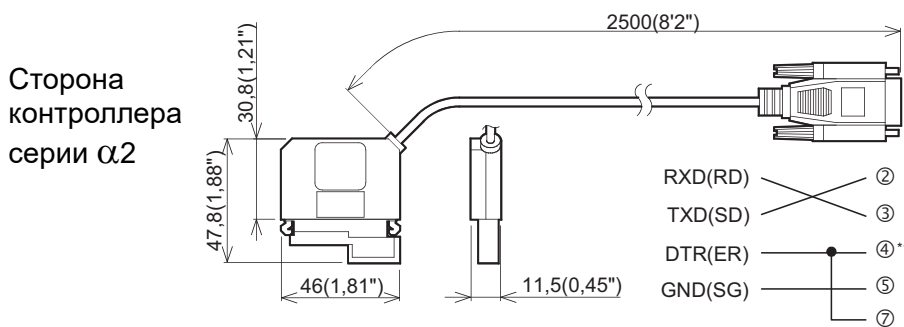
Кабель AL-232CAB представляет собой кабель интерфейса RS-232C, и используется в качестве соединительного кабеля между контроллером серии α (α, α2) и персональным компьютером, в котором функционирует программное обеспечение (AL-PCS/WIN-E), используемое для программирования контроллера.



Примечание:

- Кабель AL-232CAB не может применяться для каких-либо иных целей.
- Когда кабель AL-232CAB подключен к контроллеру серии α2, он выступает над верхней панелью контроллера приблизительно на 40 мм (1,57 дюйма).

7.1.1 Внешние размеры



Размеры: миллиметры
(дюймы)

Сторона персонального компьютера
(9 контактов, D-подтип, розетка)

*1 Установите этот сигнал, как сигнал "высокого уровня"

7.2 Подключение кабеля AL-232CAB



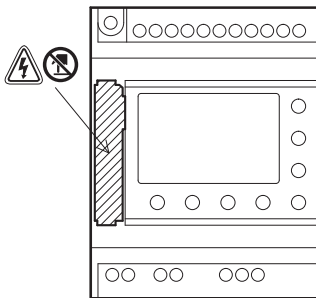
Отсоедините крышку и кассету запоминающего устройства

- Будьте осторожны и выполняйте правила персональной безопасности при отсоединении крышки контроллера серии α2.




Предостережение

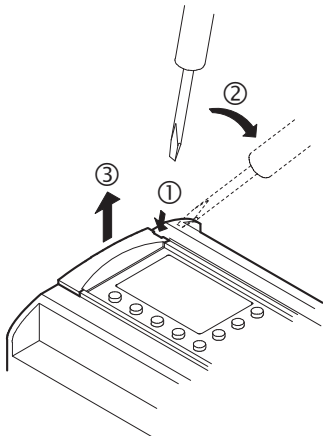
- Отключите электропитание, когда Вы устанавливаете, или отсоединяете кабель AL-232CAB.
- Установите крышку или кассету запоминающего устройства после отсоединения кабеля AL-232CAB.
- При установке крышки соединителя, или кассеты запоминающего устройства контроллера серии α2, проявляйте осторожность, чтобы не прищемить палец.
- При отсоединении кабеля, пожалуйста, держитесь за защитный корпус. НЕ ТЯНИТЕ за шнур кабеля.
- НЕ ПРИКАСАЙТЕСЬ к указанной ниже части, когда снимаете крышку, или отсоединяете кассету запоминающего устройства.



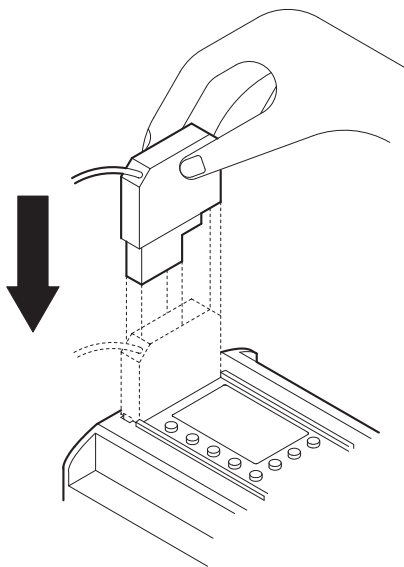
: Опасность поражения электрическим током.

: Не прикасайтесь к токоведущим частям изделия напрямую.

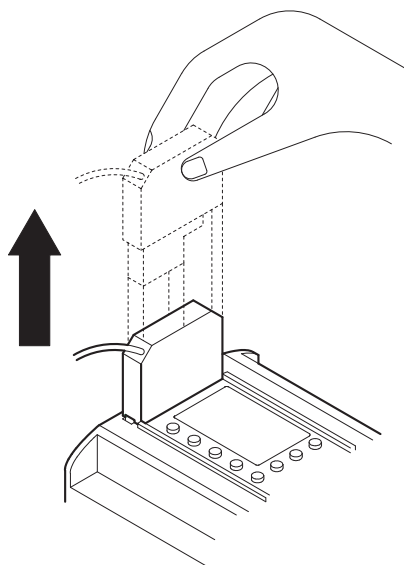
1) Отсоединение крышки или кассеты запоминающего устройства



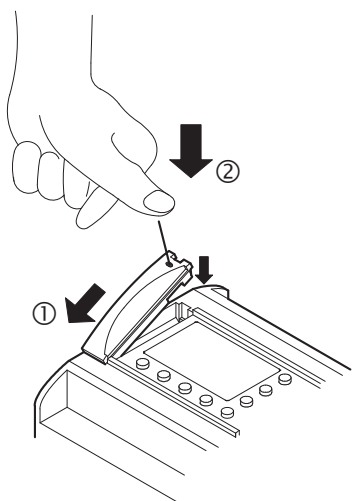
2) Подключение кабеля AL-232CAB



3) Отсоединение кабеля AL-232CAB



4) Установка на место крышки или кассеты запоминающего устройства



RUS

Для заметок

8. Кабель AL2-GSM-CAB

8.1 Введение

Кабель AL2-GSM-CAB может быть использован для подключения контроллеров серии α2 к обычному модему, или к модему, работающему в стандарте GSM. С помощью кабеля AL2-GSM-CAB имеется возможность передавать данные Службы Коротких Сообщений (SMS) на модем GSM, для дальнейшей пересылки на мобильные телефоны и на адреса электронной почты, в ином случае, этот кабель может обеспечить выполнение функций дистанционного контроля и передачи программ через посредство обычных модемов. Также может осуществляться связь с персональным компьютером через интерфейс RS-232C, если используется адаптер или кабель.

Дальнейшую информацию можно найти в Руководстве по программированию контроллера серии α2, а также в Руководстве по программному обеспечению.



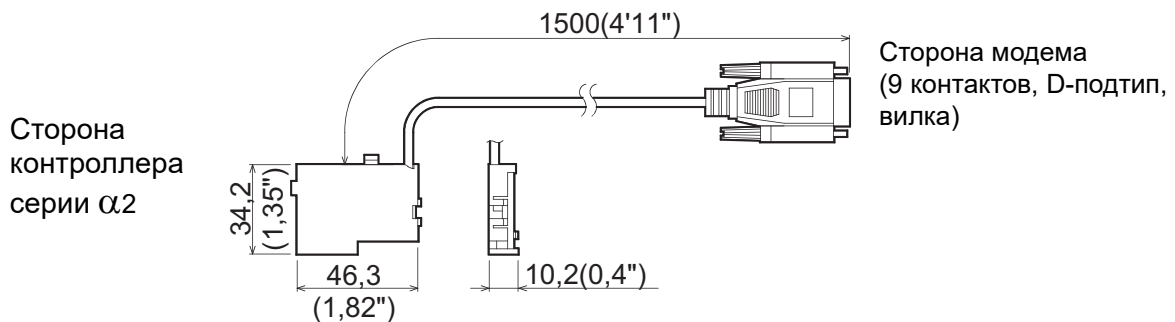
Примечание:

- Данный кабель не может применяться для каких либо иных целей.
- Данный кабель подключается только к контроллерам серии α2 (Модель: AL2-14MR-*, AL2-24MR-*).
- Одновременная связь через оба порта связи контроллеров серии α2 может в результате привести к повреждению программы, или появлению неисправностей в контроллере.

8.1.1 Внешние размеры

Рисунок 8.1: Внешние размеры

Размеры: мм (дюймы)



8.1.2 Конфигурация системы при использовании кабеля AL2-GSM-CAB

Рисунок 8.2: Конфигурация системы при использовании кабеля AL2-GSM-CAB

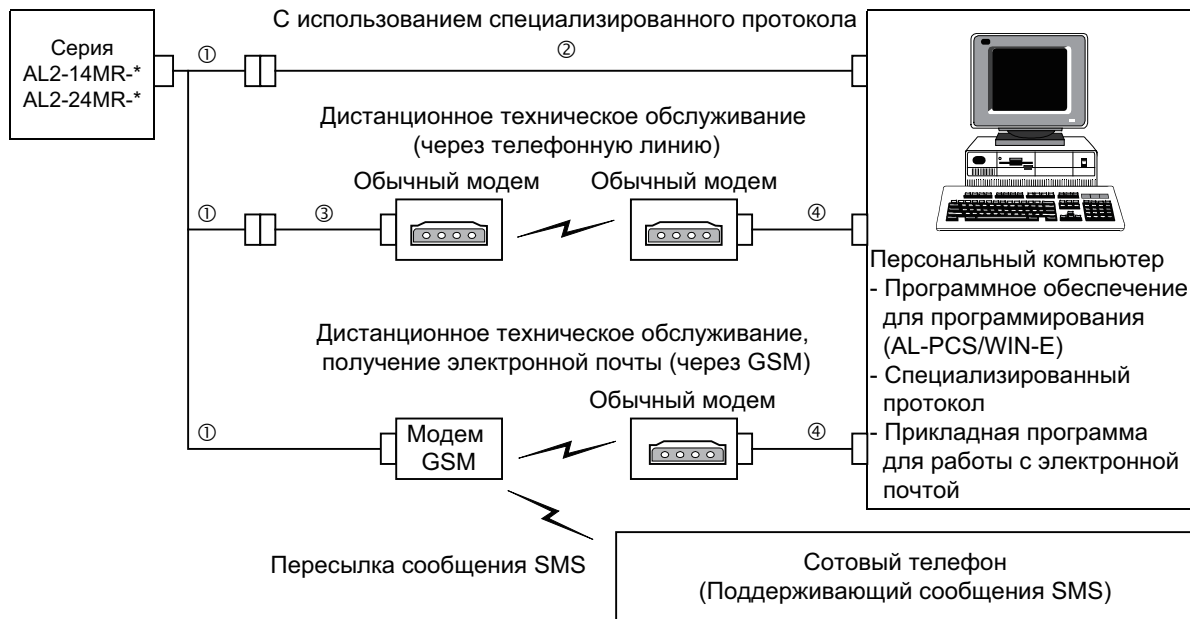
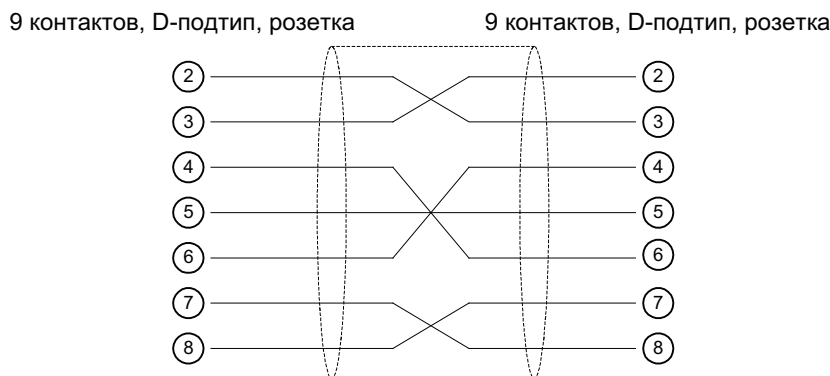


Таблица 8.1: Конфигурация системы при использовании кабеля AL2-GSM-CAB

Номер позиции	Используемый кабель
1	AL2-GSM-CAB
2	RS-232C перекрестный кабель (Смотрите Рисунок 8.3)
3	RS-232C прямой кабель для модема (Смотрите Рисунок 8.5)
4	RS-232C прямой кабель для модема (указывается изготовителем модема)

Рисунок 8.3. Схема перекрестного кабеля RS-232C, для справки



Примечание:

Сигналы, передаваемые по контактам 4 и 7, необходимо установить на стороне компьютера, как сигналы "высокого уровня".
Если эти сигналы не установлены, будет невозможно обеспечить связь между компьютером и контроллером серии α2.

8.2 Установка

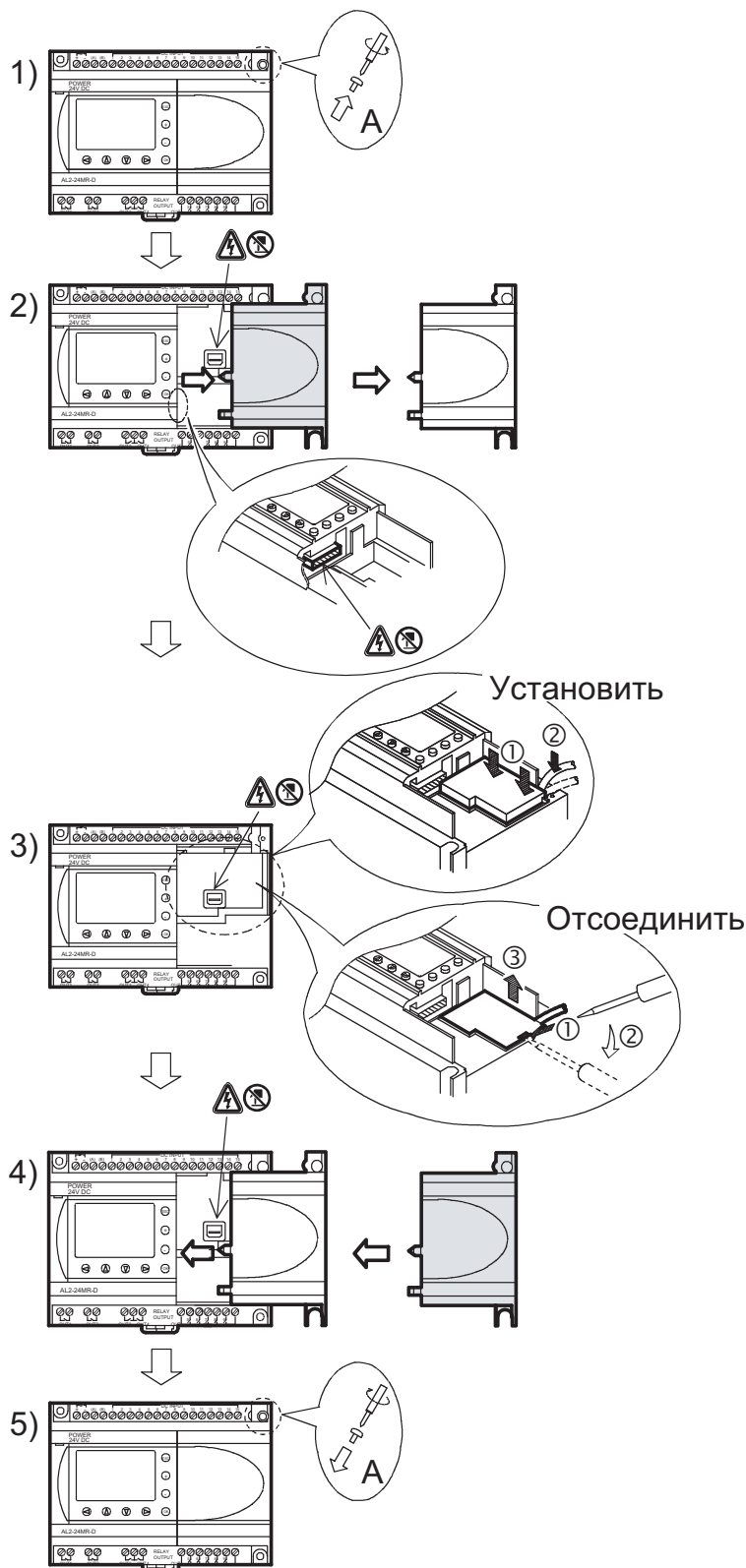
При выполнении инсталляции кабеля AL2-GSM-CAB, обратитесь к Рисунку 8.4.



Предостережение

- Инсталлировать или отсоединять кабель AL2-GSM-CAB, должны лица, прошедшие обучение в соответствии с местными и государственными стандартами, относящимися к электронным устройствам.
- При инсталляции, либо при отсоединении кабеля AL2-GSM-CAB, необходимо отключить электропитание.
- После выполнения инсталляции, либо после отсоединения кабеля AL2-GSM-CAB, необходимо установить крышку на место.
- Ни при каких обстоятельствах компания "Мицубиси Электрик" не будет нести юридическую ответственность, и не будет признавать за собой какие-либо обязательства, в связи с любым последующим ущербом, который может возникнуть в результате инсталляции или использования данного оборудования.
- Не тяните за шнур кабеля, в противном случае кабель может быть поврежден.
- При осуществлении связи с контроллером серии α2 через модем GSM, электропитание обоих узлов должно быть включено одновременно. Если они не будут включены в один и тот же момент, связь с контроллером серии α2 не будет обеспечена.
- Перед тем, как снять крышку устройства, отключите все контактные клеммы от источника электропитания.

Рисунок 8.4: Установка



- 1) Отверните винт "A" и удерживайте его.
- 2) Осторожно снимите установленную на заводе-изготовителе крышку слота расширения контроллера серии α2, или крышку специального модуля.
- 3) Установите кабель AL2-GSM-CAB в углубление, осторожно поместив кабель в канал, расположенном со стороны входных контактных клемм.
- 4) Установите крышку контроллера серии α2 или расширительного модуля, проявляя осторожность, с тем, чтобы она не воздействовала на кабель AL2-GSM-CAB.
- 5) Затяните винт "A", с вращательным моментом 0,4 Н·м.

⚠: Опасность поражения электрическим током.

⊘: Не прикасайтесь к токоведущим частям изделия напрямую.

8.3 Дистанционное техническое обслуживание с использованием модема

Дальнейшую информацию относительно процедуры задания конфигурации модема можно найти в Руководстве по программированию контроллера серии α2. Использование программного обеспечения (AL-PCS/WIN-E), применяемого для программирования контроллера, представляет собой самый простой способ задания конфигурации модема.

8.3.1 Рекомендуемые типы модемов

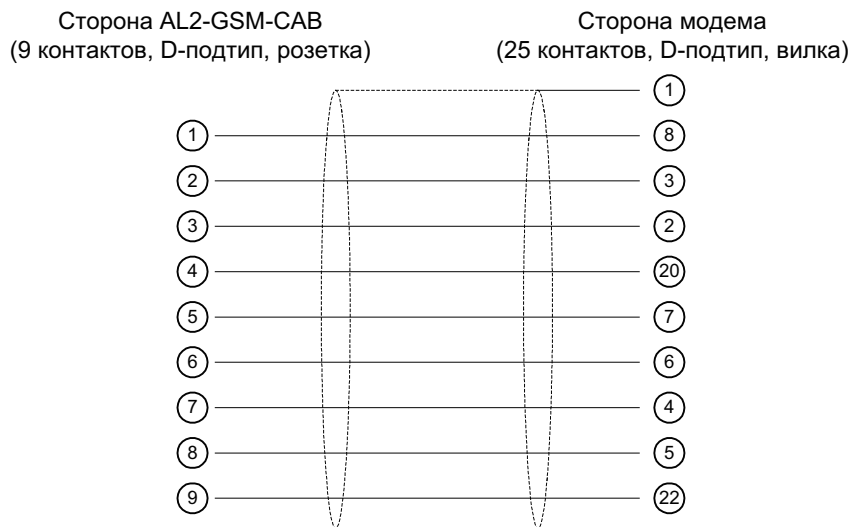
Было проведено успешное тестирование следующих типов модемов.

Таблица 8.2: Тестируемые модемы.

Название изготовителя	Название модема	Команды модема (команды AT)
3com	SP560V-P	ATE0Q1&B1&D0H0&I0&R1&S0S0=2S15=8&W
OMRON	ME3314	ATE0S0=2Q1&D0S15=8&R1&H0&W
AIWA	PV-AF3360	ATE0S0=2Q1&D0&M5\Q0\J0&W
Siemens	M20T	ATE0S0=2&S0;+IFC=0,0;+CMEE=1;+IPR=9600&W

8.3.2 Прямой кабель RS-232C между модемом и кабелем AL2-GSM-CAB

Рисунок 8.5: Схема прямого кабеля RS-232C между модемом и кабелем AL2-GSM-CAB, для справки.



8.3.3 Установка параметров модема

- 1) Установка параметров на стороне персонального компьютера
 Инсталлируйте файл для установки режима подключения в модеме.
- 2) Установка параметров на стороне контроллера серии α2
 На стороне контроллера серии α2 установка модема производится при помощи команды "ModemInit" главного блока.

а) Информация относительно команды модема (команда AT command)
 Используйте команду AT для инициализации модема. Подтвердите подробные детали, относящиеся к команде AT, обратившись к Руководству того модема, который должен использоваться. Для отдельных модемов были составлены команды AT, приведенные ниже, в таблице 8.4 (обычный модем) и 8.5 (модем GSM).

Таблица 8.3: Тестируемые модемы.

Название изготовителя	Название модема	Команды модема (команды AT)
3com	SP560V-P	ATE0Q1&B1&D0H0&I0&R1&S0S0=2S15=8&W
OMRON	ME3314	ATE0S0=2Q1&D0S15=8&R1&H0&W
AIWA	PV-AF3360	ATE0S0=2Q1&D0&M5\Q0\J0&W
Siemens	M20T	ATE0S0=2&S0;+IFC=0,0;+CMEE=1;+IPR=9600&W

Дальнейшая информация относительно способа инициализации модема может быть найдена в руководстве по программированию контроллера серии α2.

В том случае, когда используются модемы, не перечисленные в приведенной выше таблице, устанавливайте команду AT, удовлетворяющую следующим требованиям.

Таблица 8.4: Команды AT для модема (Обычный модем)

Устанавливаемый параметр	Содержание устанавливаемого параметра	Образец установки параметров		
		SP560V-P	ME3314	PV-AF3360
Установка эхо-сигнала команды	Нет	E0	E0	E0
Частота вызова при автоматическом опросе	Дважды	S0=2	S0=2	S0=2
Отображаемый код результата	Нет	Q1	Q1	Q1
Управление DTR	Всегда включено	&D0	&D0	&D0
Управление DSR	Всегда включено	&S0		
Режим связи	Режим V.42bis	S15=8	S15=8	&M5
Фиксированная величина скорости терминала	Фиксированная	&B1	\J0	
Схема управления потоком терминала	Нет	-&R1	\Q0	
Управление потоком передаваемых данных	Нет	&H0	&H0	-
Управление потоком принимаемых данных (программное обеспечение)	Нет	&I0		

Таблица 8.4: Команды АТ для модема (Обычный модем)

Устанавливаемый параметр	Содержание устанавливаемого параметра	Образец установки параметров		
		SP560V-P	ME3314	PV-AF3360
Управление потоком принимаемых данных (управление RTS)	Нет	&R1		
Запись в энергонезависимую память	Записать в энергонезависимую память.	&W	&W	&W

RUS

Таблица 8.5: Команды AT для модема GSM

Устанавливаемый параметр	Содержание устанавливаемого параметра	Образец установки параметров
		M20T
Разрешение эхо-сигнала команды	Режим эхо-сигнала ВЫКЛЮЧЕН	E0
Установка количества звонков перед автоматическим ответом на звонок	Разрешает автоматический ответ после двух звонков	S0=2
Установка функционального режима готовности набора данных (ГНД) цепи	Режим ГНД всегда ВКЛЮЧЕН	&S0
Задание управления потоком локатных данных TE-TA	<ul style="list-style-type: none"> Указывает метод, который будет использоваться в TE, когда данные принимаются от TA: Нет Указывает метод, который будет использоваться в TA когда данные принимаются от TE: Нет 	+IFC=0,0
Сообщение об ошибке в мобильном оборудовании	Разрешение на выдачу кода результата и использование численного значения	+CMEE=1
Установка фиксированной локальной скорости передачи данных	Скорость двоичной передачи: 9600 бит в секунду	+IPR=9600
Установка режима функционирования детектора носителя данных (ДНД)*1	Линия ДНД включена только тогда, когда присутствует носитель данных	&C1
Выбор вида обслуживания канала-носителя*1	9600 бит в секунду (V.32), асинхронный модем, непрозрачный	+CBST=7,0,1
Сохранение текущего параметра для использования определенного профиля	Профиль пользователя сохраняется в энергонезависимой памяти.	&W

*1 В случае, когда используется модель Siemens M20T, эти параметры не требуются устанавливать, поскольку они являются параметрами, установленными по умолчанию. Если используется другой модем GSM, может потребоваться установка этих параметров.

- а) Согласование по времени для инициализации модема во время включения системы
 В контроллере серии α2 имеется функция временной задержки передачи команды модема (команды AT), для инициализации модема, из главного блока во время включения. Задержка может устанавливаться в диапазоне от 0 до 10 секунд. Эта команда может оказаться полезной для того, чтобы гарантировать, что команда AT передана корректно, когда запуск контроллера серии α2 производится быстрее, чем запуск модема.

Дальнейшую информацию относительно работы модема можно найти в Руководстве по программированию контроллера серии α2 и в Руководстве по программному обеспечению α.

9. Плата AL2-ASI-BD (AL2-14MR-*, AL2-24MR-*)

Модуль с установленной в нем платой AL2-ASI-BD интерфейса ASi (Actuator-Sensor Interface) используется совместно с контроллером серии α2 для обмена данными по сети ASi с исполнительными механизмами .

Дальнейшую информацию можно найти в Руководствах по программированию контроллеров серии α2.



Предостережение

- Замену модулей плат AL2-ASI-BD должны выполнять лица, прошедшие обучение в соответствии с местными и государственными стандартами, относящимися к электронным устройствам.
- Когда Вы устанавливаете или отсоединяете модуль платы AL2-ASI-BD, необходимо отключать электропитание.
- После отсоединения модуля платы AL2-ASI-BD, установите крышку на место.
- Ни при каких обстоятельствах компания "Мицубиси Электрик" не будет нести юридическую ответственность, и не будет признавать за собой какие-либо обязательства, в связи с любым последующим ущербом, который может возникнуть в результате инсталляции или использования данного оборудования.

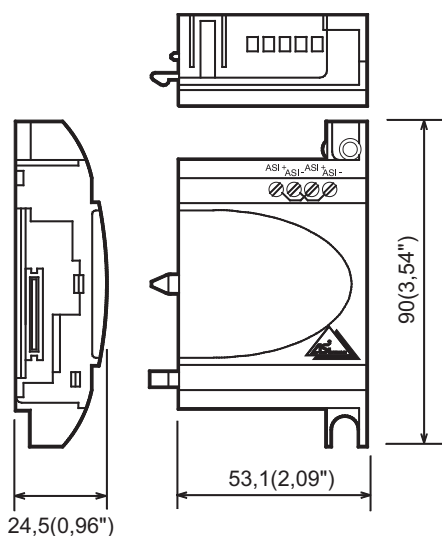
9.1 Введение

Модуль с платой AL2-ASI-BD подключается к главному блоку контроллера серии α2, формируя при этом подчиненную станцию для работы сети ASi (Вход 4 точки, Выход 4 точки). Для создания сети ASi может быть подключено максимум 31 подчиненное звено. Электропитание, необходимое для осуществления связи, подается через шину ASi, от источника питания этого интерфейса. Сигнал связи накладывается на электропитание, подаваемое по шине ASi.

9.1.1 Внешние размеры

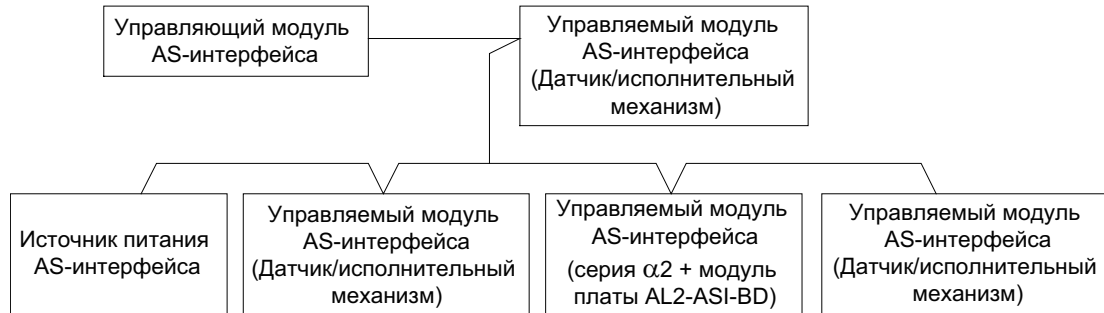
Рисунок 9.1: Внешние размеры

Единицы измерения: мм (дюймы)



9.1.2 Конфигурация системы

Рисунок 9.2: Конфигурация системы



9.2 Технические характеристики

Для получения информации относительно общих характеристик, обратитесь к Главе 2.

Таблица 9.1: Технические характеристики информационного обмена в аппаратных средствах

Характеристика	Значение характеристики
Количество устройств ввода/вывода	4 устройства ввода (E01-E04) 4 устройства вывода (A01-A04)
Время обновления состояния устройства ввода/вывода	Максимум 5 мс
Протяженность сети	Максимум 100 м
Напряжение внешнего источника питания	Типичное напряжение 30,5 В пост. тока (источник питания AS-интерфейса)
Ток, потребляемый от внешнего источника	40 мА или менее
Директива ЕС	EMC
Соответствует	Сертификации AS-интерфейса

Таблица 9.2: Технические характеристики информационного обмена программного обеспечения

Характеристика	Значение характеристики
Номер станции	Устанавливается главной станцией (По умолчанию на заводе-изготовителе установлен 0)
Код IO	7
Код ID	F
Бит данных	D0 - D3 Ввод/Вывод 01 – 04 (E01 – E04, A01 – A04)
Параметрический бит	P0 Монитор передачи данных (установлен по умолчанию). ^{*1}
	P1,P2,P3 Не используется
Системный бит	M6 "ВКЛЮЧЕН" когда происходит ошибка передачи данных AS-интерфейса
	M7 "ВКЛЮЧЕН" когда происходит ошибка передачи данных при отказе источника питания AS-интерфейса
Контрольный бит	N1 ВКЛЮЧЕН: Соединение с сетью AS-интерфейса ВЫКЛЮЧЕН: Отключение от сети AS-интерфейса

^{*1} Функция, необходимая для сброса входного сигнала (E01 – E04), когда связь с AS-интерфейсом прерывается на 70 мс или более.

9.3 Электрические соединения и Установка

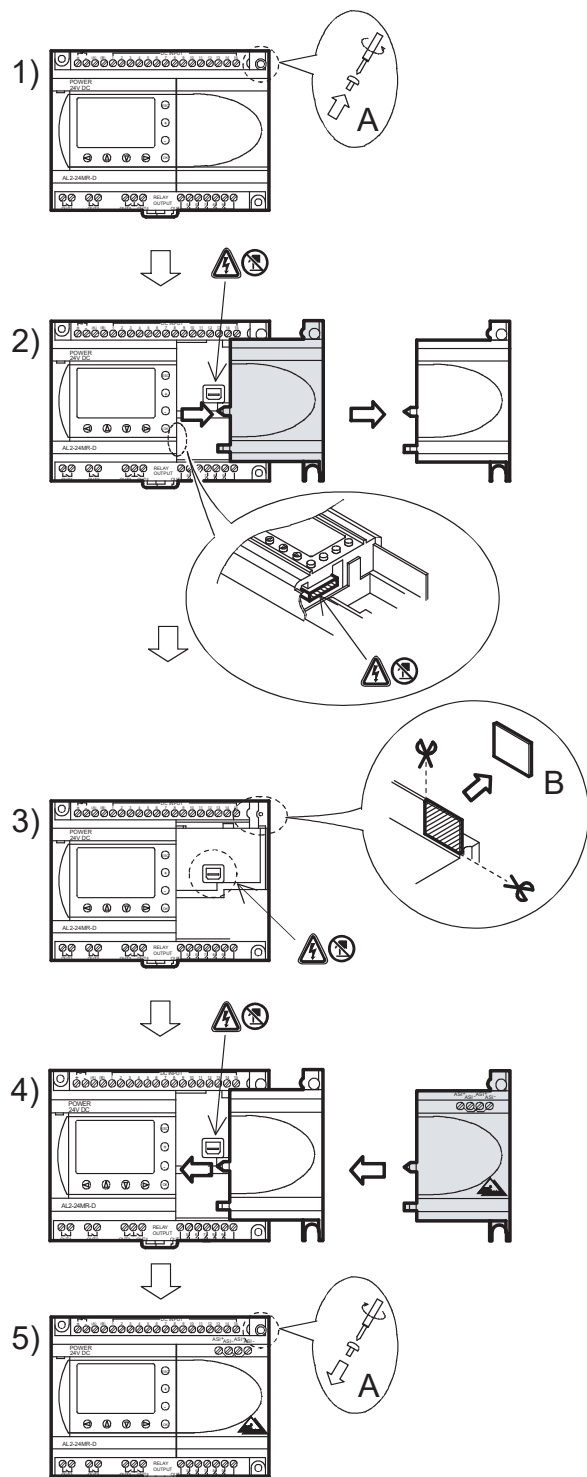
9.3.1 Установка



Предостережение

Отсоедините все контактные клеммы от источника электропитания перед тем, как снять крышку.

Рисунок 9.3: Установка



- 1) Отверните винт "А" и удерживайте его.
- 2) Осторожно снимите установленную на заводе-изготовителе крышку слота расширения.
- 3) Вырежьте секцию "В" корпуса главного блока контроллера серии α2.
- 4) Присоедините расширительный модуль к главному блоку.
- 5) Затяните винт "А", с вращательным моментом 0,4 Н·м.

: Опасность поражения электрическим током.

: Не прикасайтесь к токоведущим частям изделия напрямую.

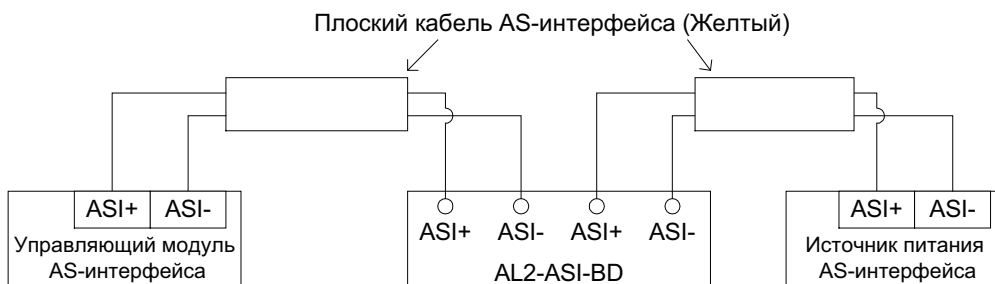
9.3.2 Электрические соединения



Используйте плоский (желтый) кабель AS-интерфейса для подключения модуля AL2-ASI-BD к сети передачи данных.

При подключении кабеля AS-интерфейса к модулю, затяните винты разъема для передачи данных с вращательным моментом 0,5 ~ 0,6 Н-м.

Рисунок 9.4: Электрические соединения



9.4 Установка адреса управляемого устройства и диагностика

9.4.1 Установка адреса управляемого устройства

Адрес модуля AL2-ASI-BD должен быть установлен с управляющего модуля AS-интерфейса. Диапазон устанавливаемых адресов для управляемых модулей составляет от 1 до 31. В новых модулях перед отправкой с завода-изготовителя устанавливаются значения адреса 0, если модулю ранее был присвоен адрес, отличающийся от 0, необходимо произвести сброс для установки нуля перед тем, как он будет добавлен в новую сеть передачи данных AS-интерфейса.

Для того, чтобы узнать подробно, каким образом устанавливается адрес станции с управляющего модуля AS-интерфейса, обратитесь к описанию управляющего модуля AS-интерфейса.

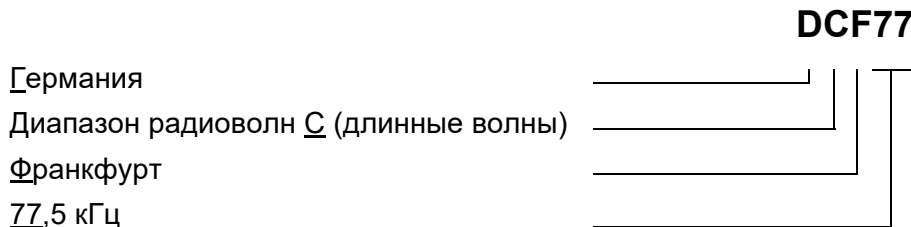
В сеть обмена данными одновременно может быть добавлено множество модулей, все из них кроме одного должны быть переведены в их пассивное состояние (установка N1=1). После того, как сеть будет подключена к электропитанию, модули могут быть индивидуально активированы (установка N1=0), причем управляющая станция будет назначать адрес управляемой станции.

9.4.2 Проверки при индикации возможных ошибок

- 1) В случае, если происходит ошибка передачи данных (M6):
 - Проверьте подключение к управляющему модулю AS-интерфейса, а также проверьте, правилен ли номер управляемой станции.
- 2) В случае, если происходит ошибка передачи данных, связанная с электропитанием (M7):
 - Проверьте подключение кабеля шины AS-интерфейса к каждому выдающему ошибку блоку, а также проверьте соединение с источником питания AS-интерфейса и его работу.

10. Радио часы DCF77

Функция DCF77, заложенная в серии α2, обеспечивает автоматическую установку часов реального времени (RTC) при получении и расшифровке информации о времени в формате DCF77, которая передается при помощи радиосигнала на частоте 77,5 кГц из Франкфурта/Германия.



10.1 Введение

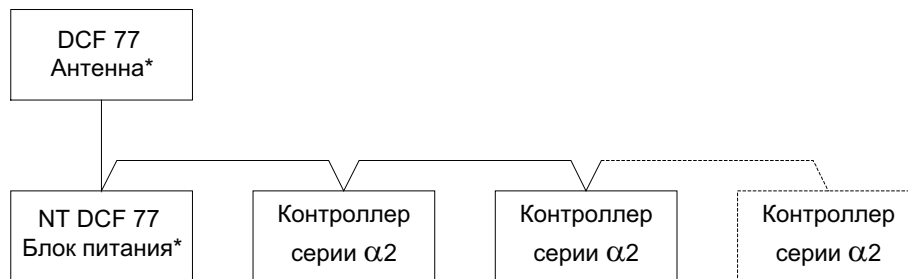
Таблица 10.1: Радио часы

Характеристика	Значение характеристики
Место расположения передатчика	Майнфлинген, 25 км к югу от Франкфурта/Германия
Частота	77,5 кГц
Дальность передачи	2000 км
Кодирование	BСD (Двоичное кодирование десятичного числа)
Передаваемые данные	минуты, часы, календарный день, день недели, месяц, год
Время передачи	24 часа ежедневно

Амплитуда несущего сигнала уменьшается до 25% в начале каждой секунды, на период 100 мс (двоичный 0) или 200 мс (двоичная 1), за исключением 59-й секунды.

10.2 Конфигурация системы

Рисунок 10.1:



* Изготовлено компанией "Тебен АГ"

В устройствах серии α2 должна использоваться антенна DCF77 компании "Тебен", и, по крайней мере, одно устройство компании "Тебен" для питания антенны. Внутренний декодер контроллера серии α2 будет распознавать только сигнал антенного устройства DCF77, изготовленного компанией "Тебен".

Дополнительное устройство компании "Тебен" должно обеспечивать питание антенны напряжением 12 В пост. тока; для обеспечения необходимого электропитания и сигнального тракта может быть использовано только устройство электропитания компании "Тебен".

Максимум 10 контроллеров серии α2 могут быть соединены в одной конфигурации.

10.3 Технические характеристики

Для получения информации относительно общих технических характеристик, пожалуйста, обратитесь к Главе 2.

Таблица 10.2: Антенна DCF77 компании "Тебен"

Характеристика	Значение характеристики
Наименование узла	DCF 77 Антенна 907 0 243
Рабочий диапазон температур	-20 - 70°C
Защита от воздействия внешней среды	IP 54
Порог приема	100 микровольт/метр
Область приема	приблизительно 1000 км от Франкфурта
Длина соединительного кабеля	максимум 200 м
Полярность	нет



Предостережение

- Для того, чтобы избежать помех от внешних сигналов, не используйте антенну DCF 77 компании "Тебен" в зоне телевизионного вещания, работы персональных компьютеров, или телекоммуникации.

Таблица 10.3: Блок питания компании "Тебен"

Характеристика	Значение характеристики
Наименование узла	Блок питания NT DCF 77 907 0 182
Рабочее напряжение	230 В перем. тока, +/-10%
Номинальная частота	50~60 Гц
Внутреннее потребление	максимум 3 ВА
Длина линии подвода электропитания	максимум 200 м, индивидуальная двухпроводная линия электропитания
Мощность	рассчитана на питание 10 блоков
Класс защиты	II в соответствии с EN 60335
Защита от воздействия внешней среды	IP20 в соответствии с EN 60529

Таблица 10.4: Применяемая версия

Тип программируемого логического контроллера	Применяемая версия
Серия α2 (Только вариант с питанием от источника пост. тока)	V2.00 или более поздняя
Программное обеспечение VLS	V2.30 или более поздняя



Предостережение

- Вариант контроллера серии α2 с питанием от источника перем. тока не может быть использован для приема радиосигналов DCF77.
- Только аналоговые входы, которые имеются в варианте контроллера серии α2 с питанием от источника пост. тока, могут быть использованы для декодирования радиосигналов DCF77.

Таблица 10.5: Характеристики программного обеспечения

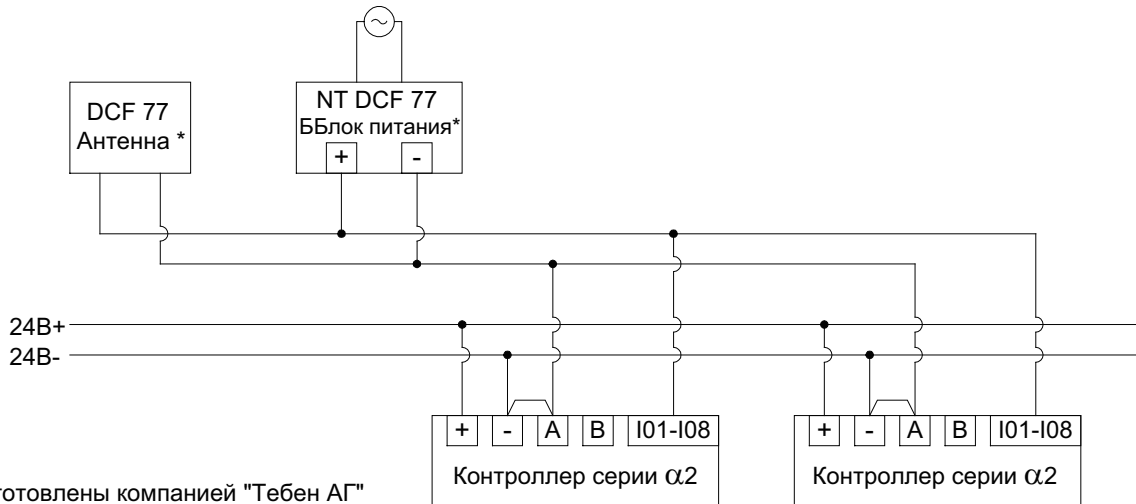
Характеристика	Значение характеристик	
Системный бит	M10	"ВКЛЮЧЕН" во время декодирования DCF77
	M11	Импульсы "ВКЛЮЧЕНЫ" когда заканчивается декодирование DCF77 без ошибки
	M15	"ВКЛЮЧЕН" когда DCF77 заканчивает декодирование ошибки

Для получения дальнейшей информации относительно программирования при помощи передней панели, пожалуйста, обратитесь к Руководству по программированию контроллера серии α2 (JY992D97101).

10.4 Электрические соединения

10.4.1 Электрические соединения

Рисунок 10.2: Электрические соединения



* Изготовлены компанией "Тебен АГ"

В контроллере серии α2 должны быть произведены электрические соединения для подключения источника сигнала, в противном случае сигнал DCF77 не будет принят и декодирован при подаче на аналоговые входы.

Таблица 10.6: Условия выполнения электрических соединений

Пункт условий	Описание условия
Входы для антенного сигнала на контроллере серии α2	AL2-10MR-D:I01 - I06 AL2-14MR-D,AL2-24MR-D:I01 - I08
Максимальное количество подключаемых контроллеров серии α2	10 единиц
Максимальное расстояние от антенны при подключении	200 м

10.4.2 Установка параметров DCF77 при использовании дисплея контроллера α2

- 1) Из главного меню, при помощи прокрутки, найдите пункт "Сист. время" и нажмите клавишу "ОК". Из появившихся вариантов, найдите при помощи прокрутки, вариант "Радио часы" и нажмите клавишу "ОК". Если радио-часы не были активированы, появится только один вариант. При помощи прокрутки перейдите к пункту меню "Радио часы" и нажмите клавишу "ОК".

```
Радио часы
» Радио часы
```

- 2) Из появившихся вариантов, найдите при помощи прокрутки вариант "DCF77" и нажмите клавишу "ОК".

```
Радио часы
» Не использ
DCF77
```

- 3) Выберите аналоговый вход в контроллере α2 (I01~I08) который передает на декодер сигнал с антенны DCF77. В меню "Радио часы" появится больше вариантов. Перейдите к пункту "Вход" и нажмите клавишу "ОК". *1

```
Радио часы
Радио часы
» Вход
Разн. врмн.
```

- 4) Введите номер аналогового входа (I01~I08) при помощи кнопок +, - и нажмите клавишу "ОК".

```
Радио часы
Вход
I 0 1
```

- 5) Установите различие во времени между временными зонами, к которым относится Франкфурт, Германия, и место расположения контроллера. Эта величина добавляется к полученному значению времени. Перейдите к пункту "Разн.врмн" и нажмите клавишу "ОК".

```
Радио часы
Радио часы
Вход
» Разн. врмн.
```

- 6) Выберите величину различия во времени между временными зонами, с шагом в полчаса, используя кнопки +,-. Нажмите клавишу "ОК" для выбора установленного различия между временными зонами.

```
Радио часы
Разн. врмн.
0.0 hrs
```

- 7) Декодирование сигнала времени может быть остановлено или запущено вручную. Перейдите к пункту "Ручн.уст." и нажмите клавишу "OK".

Радио часы
Вход
Разн. врмн.
» Ручн. уст.

- 8) Нажмите клавишу "OK" или "ESC" для того, чтобы выполнить или отменить операцию.

Ручн. уст.
Стоп
OK или ESC

Примечание

*1 На дисплее контроллера серии α2 будут попеременно появляться надписи "Нет сигнала" и "Радио часы", если сигнал DCF77 не принимается и не декодируется.

10.4.3 Автоматический запуск

Этап декодирования в радио-часах DCF77 начнется автоматически, если удовлетворяются следующие условия:

- 1) Значение реального времени в контроллере серии α2 достигнет 1.00 ночи.
- 2) В часах реального времени произойдет ошибка после включения электропитания контроллера.

10.4.4 Автоматический останов

Этап декодирования в радио-часах DCF77 остановится автоматически, если удовлетворяются следующие условия:

- 1) В часах реального времени контроллера серии α2 была правильно установлена конфигурация, и было получено корректное значение времени.
- 2) Не было получено корректного значения времени в течение 30 минут, пока совершались повторные попытки получения сигнала времени.

10.4.5 Проверка полученного значения времени

Значение времени, которое получено в результате декодирования сигнала времени в радио-часах DCF77 проверяется на корректность по трем следующим пунктам:

- 1) Контроль по четности – блок данных временного кода радио-часов DCF77 защищен тремя (четными) проверочными разрядами четности. Первый проверочный разряд четности защищает данные о минутах, второй защищает данные о часах, и третий проверочный разряд четности защищает данные о дате, дне недели, месяце и годе.
- 2) Проверка диапазона значений для данных -
 - a) $0 \leq \text{минуты} \leq 59$
 - b) $0 \leq \text{часы} \leq 23$
 - c) $1 \leq \text{дни} \leq 31$
 - d) $1 \leq \text{месяцы} \leq 12$
 - e) $0 \leq \text{годы} \leq 59$
- 3) Проверка различия во времени – Разность между двумя полученными блоками данных со значениями времени должна равняться 1 минуте, таким образом, контролируется общее значение времени (в минутах, прошедшего с 1990/01/01) для каждого блока данных о значении времени.



Предостережение

- В случае, когда используется пункт "Старт" для того, чтобы вручную запустить декодирование в DCF77, пользователь должен проверить состояние M10 (флаг активности декодирования) через 30 минут после запуска декодирования. Если M10 в выключенном состоянии, в устройстве DCF77 декодирование закончилось без ошибки. Если состояние M10 остается ВКЛЮЧЕННЫМ (ON), имеется проблема либо с электрическим монтажом, либо с наличием сигнала в месте, где используется контроллер. Пользователь должен проверить наличие обеих возможных причин.

Для заметок

11. Модуль AL2-2DA (AL2-14MR-*, AL2-24MR-*)

Аналоговый выходной модуль AL2-2DA возможно использовать совместно с контроллером серии α2 для подучения двух каналов аналогового выходного сигнала по напряжению или току.

Дальнейшую информацию можно найти в Руководстве по программированию контроллера серии α2 и в Руководстве по инсталляции выходного модуля AL2-2DA.



Предупреждение

- Все задачи, связанные с выполнением электрического монтажа контроллера серии α2, должны решать лица, прошедшие подготовку в соответствии с местными и государственными стандартами, устанавливающими требования к электромонтажу.
- Контроллер серии α2 не рассчитан на применение в условиях, критических в отношении жизни человека, или в условиях, когда требуется полная безотказность.
- Ни при каких обстоятельствах компания "Мицубиси Электрик" не будет нести юридическую ответственность, и не будет признавать за собой какие-либо обязательства, в связи с любым последующим ущербом, который может возникнуть в результате инсталляции или использования данного оборудования.
- Обеспечьте надежное соединение выходного аналогового модуля AL2-2DA с контроллером серии α2 при инсталляции, с тем, чтобы предотвратить любые возможные отказы.



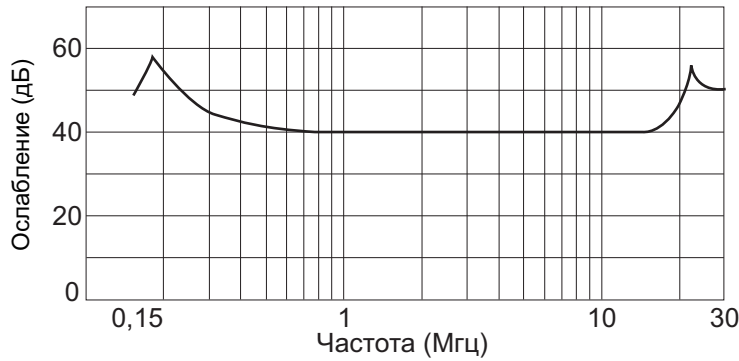
Предупреждение относительно электромагнитной совместимости

Установлено, что изготавливаемый компанией "Мицубиси Электрик" аналоговый модуль контроллера серии α2 соответствует требованиям указанных европейских стандартов и директив. Тем не менее (для обеспечения наилучших рабочих характеристик, исходя из фактических особенностей, которыми обладают чувствительные измерительные и управляющие выходные устройства), компания "Мицубиси Электрик" хотела бы обратить внимание на следующие моменты:

- В силу того, что аналоговые модули являются чувствительными по своей природе, их использование должно быть тщательно продумано. В случае, когда пользователями применяются фирменные кабели (неотделяемые от датчиков или исполнительных механизмов), такие пользователи должны выполнять при инсталляции требования, сформулированные производителями этих изделий.
- Компания "Мицубиси Электрик" рекомендует применять экранированные кабели. Если не предусмотрено НИКАКИХ других мер защиты для обеспечения условий по электромагнитной совместимости, пользователи могут наблюдать временные ошибки, не превышающие +10%/-10% при работе в тяжелых условиях промышленных зон. Однако, компания "Мицубиси Электрик" предполагает, что в случае, когда используются адекватные меры предосторожности для обеспечения электромагнитной совместимости, с применением общих практических мер по требованиям условия электромагнитной совместимости при использовании полной системы управления, пользователи должны ожидать появления обычных ошибок при работе, которые указываются в описании каждого самостоятельного изделия.

- Убедитесь в том, что противопомеховый фильтр подсоединен к проводу электропитания. Мицубиси выполнены проверки на ЭМС противопомехового фильтра с синфазными характеристиками демпфирования (Рисунок 11.1) со средним уровнем в 50 дБ при диапазоне от 150 КГц до 2 МГц.

Рисунок 11.1: Характеристики демпфирования противопомехового фильтра



11.1 Введение

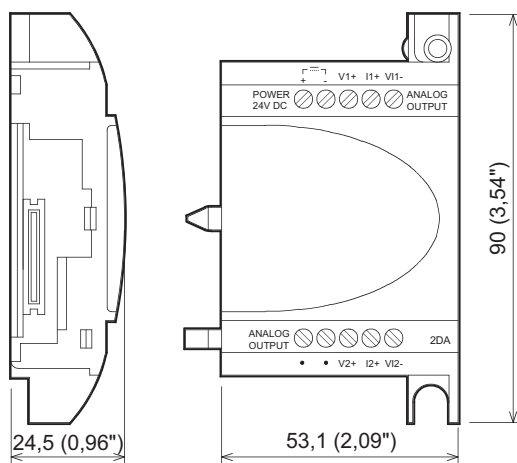
Аналоговый выходной модуль AL2-2DA (упоминаемый в дальнейшем, как "AL2-2DA") может быть инсталлирован в контроллере серии α2, и может быть использован для преобразования числовой величины в аналоговый выходной сигнал напряжения (0 - 10 В) или тока (4 - 20 мА).

Модуль AL2-2DA должен использоваться совместно с функциональным блоком аналогового выходного сигнала контроллера серии α2. Для получения дополнительной подробной информации, обратитесь к Руководствам по программированию контроллера серии α2.

11.1.1 Внешние размеры

Рисунок 11.2: Внешние размеры

Единицы измерения: мм (дюймы)



11.1.2 Конфигурация системы

Для получения информации об общих технических характеристиках, пожалуйста, обратитесь к главе 2.

Таблица 11.1: Применимая версия

Тип программируемого логического контроллера	Применимая версия
AL2-14MR-*,AL2-24MR-*	V2.00 или более поздняя
Программное обеспечение VLS	V2.30 или более поздняя



Примечание

- 1) Модуль AL2-2DA не может использоваться совместно с AL2-4EX-A2, AL2-4EX, AL2-ASI-BD, AL2-4EYR или AL2-4EYT.
- 2) Модуль AL2-2DA не может использоваться с версиями контроллеров α ниже α2.

11.2 Технические характеристики

Таблица 11.2: Характеристики электропитания

Характеристика	Значение характеристики
Встроенный источник питания	Получает электропитание от главного блока контроллера серии α2
Внешний источник для аналогового выхода	24 В пост. тока + 20%, - 15%
Максимальное потребление электроэнергии	1,5 Вт
Предохранитель <Номинальная мощность>/<Тип>	86 В пост. тока 1,6 А / Защита при скачках тока

Таблица 11.3: Технические характеристики аппаратной части

Характеристика	Значение технической характеристики	
	Напряжение	Ток
Диапазон аналогового выходного сигнала	0 - 10 В пост. тока (При сопротивлении внешней нагрузки от 5 кОм до 1 МОм)	4 - 20 мА (При сопротивлении внешней нагрузки менее 500 Ом)
Цифровой входной сигнал	от 0 до 4000	от 0 до 2000
Разрешение	2,5 мВ (10 В/4000)	8 мкА ((20-4) мА/2000)
Общая точность	+/- 1% полной шкалы (0-10 В : +/-0,1 В)	+/- 1% полной шкалы (4-20 мА : +/-0,16 мА)
Время цифро-аналогового преобразования	20 мс (10 мс x 2 канала)	
Гальваническая изоляция	Оптронная пара	
Характеристики преобразования входного сигнала		

RUS



Примечание

- 1) В случае, когда величина сопротивления внешней нагрузки составляет от 5 кОм до 1 МОм, общая точность выходного сигнала напряжения устанавливается на уровне "+/-1%".(На заводе-изготовителе при калибровке используется внешняя нагрузка с величиной сопротивления 10 кОм) Если сопротивление нагрузки менее 5 кОм, выходное напряжение становится меньше корректной величины.
- 2) Если используется режим выходного сигнала по току, сопротивление внешней нагрузки должно быть 500 Ом или менее.
В том случае, если сопротивление нагрузки превышает 500 Ом, выходной ток будет ниже, чем корректное значение.

Таблица 11.4: Характеристики программного обеспечения

Характеристика		Значение характеристики
Системный бит	M16	"Включен" когда подключается внешнее электропитание для AL2-2DA

11.3 Электрические соединения и инсталляция

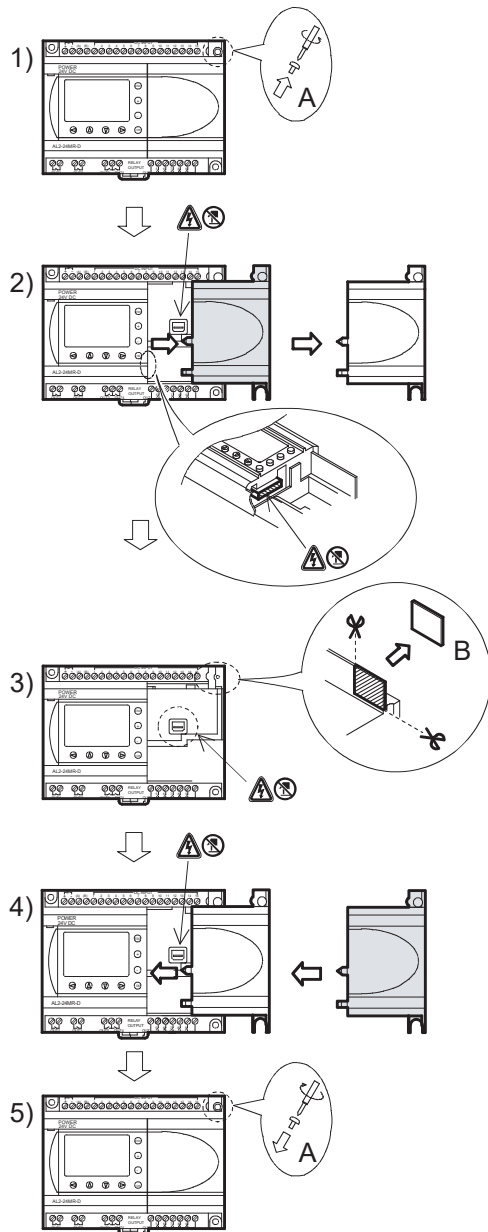
11.3.1 Инсталляция



Предостережение

- Отключите все контактные клеммы от источника электропитания перед выполнением инсталляции модуля AL2-2DA.
- Не устанавливайте модуль в таких местах, где имеется чрезмерное содержание пыли, или пыль является электропроводящей, где присутствуют агрессивные или воспламеняющиеся газы, имеется повышенная влажность или где устройство может оказаться под дождем, где имеется чрезмерное тепловыделение, где устройство может оказаться подвержено регулярным ударным воздействиям или чрезмерной вибрации.
- Контроллер серии α2 и модуль AL2-2DA должны монтироваться в распределительном ящике или в стойке управления.
- Оставляйте, как минимум, пространство 10 мм (0,40 дюйма) для вентиляции, между верхней и нижней кромкой контроллера серии α2, и ограждающими его стенками стойки.

Рисунок 11.3: Инсталляция



- 1) Освободите винт "А" и удерживайте его.
- 2) Осторожно снимите крышку слота расширения, установленную на заводе-изготовителе.
- 3) Вырежьте секцию "В" из корпуса главного блока контроллера серии α2.
- 4) Присоедините расширительный модуль к главному блоку.
- 5) Затяните винт "А" с вращательным моментом 0,4 Н·м.

⚠ : Опасность поражения электрическим током.

⚡ : Не прикасайтесь к токоведущим частям изделия напрямую.

11.3.2 Электрические соединения



Предостережение

- Отключите электропитание перед осуществлением любых операций по электрическому монтажу.
- Выходные провода не должны проходить в одном и том же многожильном электрическом кабеле, и для выходных цепей нельзя использовать общие провода.
- В качестве проводов могут использоваться провода с одиночным проводником, или многопроволочные провода с аккуратно скрученными проволочками, составляющими жилу провода (могут использоваться с надевающимся на жилу провода, обжимным контактным хомутиком).
Не присоединяйте провода с залуженными концами к клеммам контроллера серии α2.
- Длина выходного кабеля должна быть менее 30 м (98 футов 5 дюймов)
- С целью избежать повреждение провода, затягивайте винт клеммы с вращательным моментом 0,5 - 0,6 Н-м.
- Соединительные разъемы должны быть закрыты, с тем, чтобы исключить контакт с проводами, находящимися под напряжением.

Рисунок 11.4: Электрические соединения в режиме выходного сигнала напряжения

Примечание: Провода, подключаемые к контактным клеммам "+" и "-" нельзя менять местами.

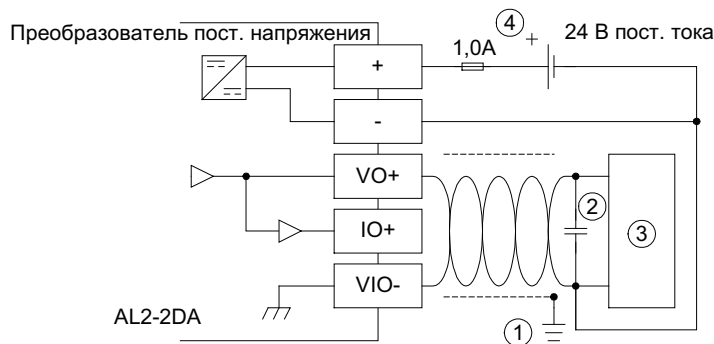


Рисунок 11.5: Электрические соединения в режиме выходного сигнала тока

 Примечание: Провода, подключаемые к контактным клеммам "+" и "-" нельзя менять местами.

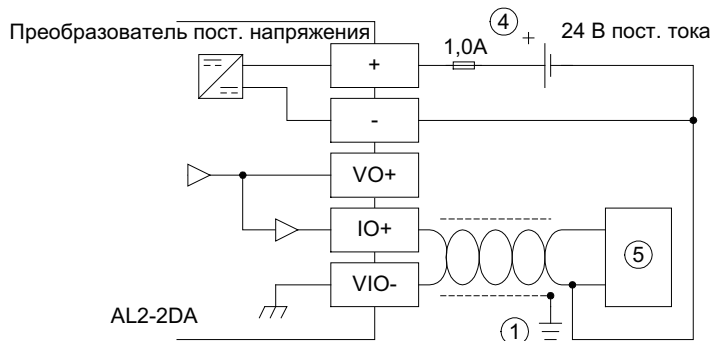


Таблица 11.5: Обозначения на схеме соединений

Номер позиции на схеме	Наименование позиции
1	Заземляющее сопротивление 100 Ом или менее
2	В случае очевидного избыточного шума, пожалуйста, подключите конденсатор емкостью 0,1 – 0,47 мкФ
3	Внешнее оборудование, такое, как инвертор и т.д.
4	Внешний источник питания 24 В пост. тока
5	Внешнее оборудование, такое, как записывающий измерительный прибор и т.д.

11.3.3 Проверки при возникновении вероятных ошибок

- 1) В случае, если происходит ошибка, связанная с внешним источником питания (M16):
 Проверьте подключение к клеммам "+" и "-" модуля AL2-2DA на предмет корректности выполнения соединений и процедур установки.
 Проверьте, обеспечивает ли первичный источник питания напряжение 24 В пост. тока.

Для заметок

12. Модуль преобразователя AL2-2PT-ADP

Модуль преобразователя AL2-2PT-ADP PT100 (в дальнейшем упоминаемый, как "AL2-2PT-ADP") следует использовать для усиления сигнала от датчика температуры PT100, для получения аналогового сигнала напряжением 0 - 10 Вольт, используемого в качестве входного сигнала в главном блоке.

Дальнейшую информацию можно найти в Руководстве по инсталляции модуля AL2-2PT-ADP.



Предостережение

- Все задачи, связанные с выполнением электрического монтажа контроллера серии α2 и модуля AL2-2PT-ADP, должны решать лица, прошедшие подготовку в соответствии с местными и государственными стандартами, устанавливающими требования к электромонтажу.
- Контроллер серии α2 не рассчитан на применение в условиях, критических в отношении жизни человека, или в условиях, когда требуется полная безотказность.
- Ни при каких обстоятельствах компания "Мицубиси Электрик" не будет нести юридическую ответственность, и не будет признавать за собой какие-либо обязательства, в связи с любым последующим ущербом, который может возникнуть в результате инсталляции или использования данного оборудования.



Предупреждение относительно электромагнитной совместимости

Установлено, что изготавливаемый компанией "Мицубиси Электрик" аналоговые модули контроллера серии α2 соответствуют требованиями указанных европейских стандартов и директив. Тем не менее (для обеспечения наилучших рабочих характеристик, исходя из фактических особенностей, которыми обладают чувствительные измерительные и управляющие выходные устройства), компания "Мицубиси Электрик" хотела бы обратить внимание на следующие моменты:

- В силу того, что аналоговые модули являются чувствительными по своей природе, их использование должно быть тщательно продумано. В случае, когда пользователями применяются фирменные кабели (неотделяемые от датчиков или исполнительных механизмов), такие пользователи должны выполнять при инсталляции требования, сформулированные производителями этих изделий.
- Компания "Мицубиси Электрик" рекомендует применять экранированные кабели. Если не предусмотрено НИКАКИХ других мер защиты для обеспечения условий по электромагнитной совместимости, пользователи могут наблюдать временные ошибки, не превышающие +10%/-10% при работе в тяжелых условиях промышленных зон. Однако, компания "Мицубиси Электрик" предполагает, что в случае, когда используются адекватные меры предосторожности для обеспечения электромагнитной совместимости, с применением общих практических мер по требованиям условия электромагнитной совместимости при использовании полной системы управления, пользователи должны ожидать появления обычных ошибок при работе, которые указываются в описании каждого самостоятельного изделия.

12.1 Введение

Модуль AL2-2PT-ADP следует использовать для преобразования входного сигнала, получаемого от датчика температуры PT100 (-50 – 200°C) в эквивалентное напряжение (0 - 10 В) для непосредственного использования в главном блоке.

12.1.1 Внешние размеры

Рисунок 12.1: Внешние размеры

Единицы измерения: миллиметры (дюймы)

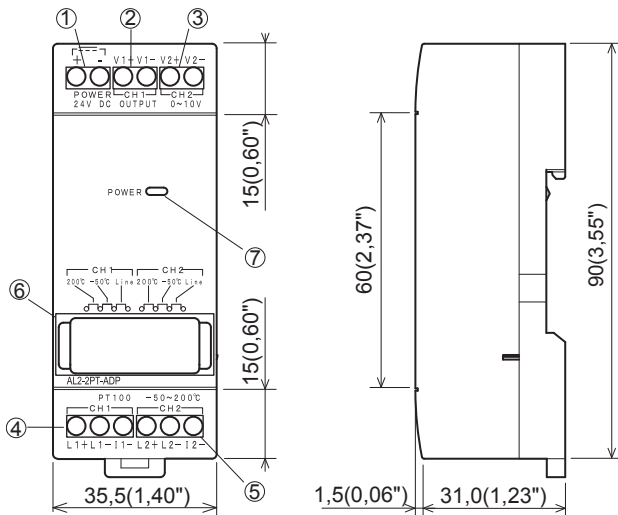
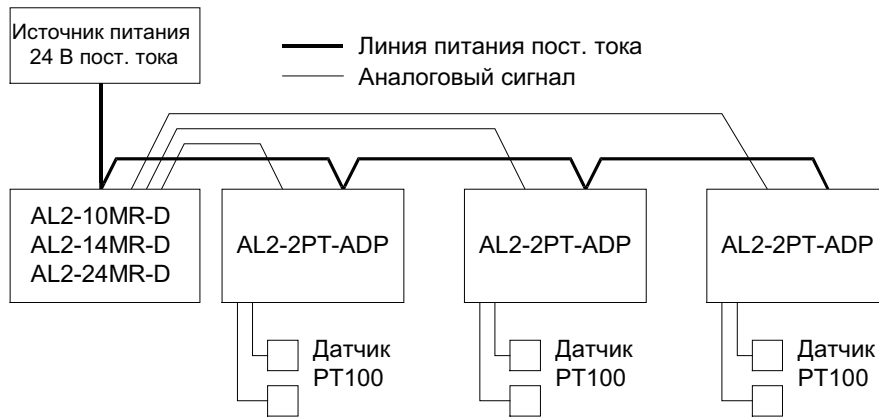


Таблица 12.1:

Позиция	Наименование
1	Источник питания + 24 В пост. тока
2	Клемма выходного сигнала напряжения 1-го канала
3	Клемма выходного сигнала напряжения 2-го канала
4	Клемма для входного сигнала от датчика температуры PT100, 1-й канал
5	Клемма для входного сигнала от датчика температуры PT100, 2-й канал
6	Штырьки переключателя для настройки
7	Светодиодный индикатор включения электропитания

12.2 Конфигурация системы

Рисунок 12.2



Для получения информации об общих технических характеристиках, пожалуйста, обратитесь к главе 2.

Таблица 12.2: Применяемая версия

Тип программируемого логического контроллера	Применяемая версия
Серия α2 (только вариант с питанием от источника пост. тока)	V2.00 или более поздняя
Программное обеспечение VLS	V2.30 или более поздняя



Примечание

Модуль AL2-2PT-ADP не может использоваться с версиями контроллеров α ниже α2.

12.3 Технические характеристики

Таблица 12.3: Общие технические характеристики

Характеристика	Значение характеристики
Диапазон рабочих температур	(-25) - 55°C/(-13) - 131° Фаренгейта
Температура хранения	(-30) - 70°C/(-22 - 158° Фаренгейта
Влажность	Относительная влажность 35 – 85%, без конденсации
Вибрационная устойчивость – при монтаже на DIN-рельс	Соответствует IEC 68-2-6; 10-57 Гц: постоянная амплитуда 0,075 мм 57-150 Гц: Ускорение 9,8 м/сек. ² Число размахов по координатам X,Y,Z: 10 раз (80 минут в каждом направлении)
Ударная устойчивость	Соответствует IEC 68-2-27: Ускорение 147 м/сек. ² , Время воздействия: 11 мс, 3 раза в каждом направлении X,Y, и Z
Помехоустойчивость	1000 В полный размах, 1 микросекунда, 30 – 100 Гц, испытание при помощи имитатора помехи
Напряжение, выдерживаемое диэлектрической изоляцией	500 В переменного тока~ в течение одной минуты между всеми терминалами и блоком управления DIN43880 или эквивалентом.
Сопротивление изоляци	7 МΩ при 500 В постоянного тока между всеми терминалами и распределительным блоком DIN43880 или эквивалентом.
Рабочая окружающая среда	Не должна содержать агрессивных газов.

Таблица 12.4: Характеристики электропитания

Характеристика	Значение характеристики
Источник питания	24 В пост. тока + 20%, – 15%
Максимальное потребление электроэнергии	1,0 Вт

Таблица 12.5: Стандарт настройки

Характеристика	Значение характеристики
Соответствие указаниям по электрической совместимости (ЕС)	EMC EN61131-2: 2007
Сертификация UL/cUL	Номер файла: E95239

Таблица 12.6: Технические характеристики аппаратной части

Характеристика	Значение технической характеристики	
	Градусы по стоградусной шкале (°C)	Градусы по шкале Фаренгейта (°F)
Характеристика входной цепи	Платиновые датчики температуры PT100 (100 Ом), 3-проводные, температурный коэффициент: JIS C 1604-1997 (IEC 751)	
Компенсированный диапазон	- 50°C - 200°C	-58°F - 392°F
Общая точность	±1,5% (во всем температурном диапазоне) и ±1,0% (при 25°C)	±1,5% (во всем температурном диапазоне) и ±1,0% (при 77°F)
Разрешение	0,5°C	
Время цифро-аналогового преобразования	20,5 мс	
Гальваническая изоляция	Нет развязки между каналами (вход/выход) и цепью питания	
Характеристики преобразования входного сигнала	<p>Цифровой сигнал</p> <p>Температура</p>	<p>Цифровой сигнал</p> <p>Температура</p>

Таблица 12.7: Характеристики программного обеспечения

Характеристика		Значение характеристики	AL2-10MR-D	AL2-14MR-D AL2-24MR-D
Системный бит	M17	"Включен" когда имеется повреждение датчика, подключенного к входу I01	✓	✓
	M18	"Включен" когда имеется повреждение датчика, подключенного к входу I02	✓	✓
	M19	"Включен" когда имеется повреждение датчика, подключенного к входу I03	✓	✓
	M20	"Включен" когда имеется повреждение датчика, подключенного к входу I04	✓	✓
	M21	"Включен" когда имеется повреждение датчика, подключенного к входу I05	✓	✓
	M22	"Включен" когда имеется повреждение датчика, подключенного к входу I06	✓	✓
	M23	"Включен" когда имеется повреждение датчика, подключенного к входу I07	—	✓
	M24	"Включен" когда имеется повреждение датчика, подключенного к входу I08	—	✓

RUS

12.4 Электрические соединения и инсталляция

12.4.1 Инсталляция



Предостережение

- Не устанавливайте устройства в таких местах, где имеется чрезмерное содержание пыли, или пыль является электропроводящей, где присутствуют агрессивные или воспламеняющиеся газы, имеется повышенная влажность или где устройство может оказаться под дождем, где имеется чрезмерное тепловыделение, где устройство может оказаться подвержено регулярным ударным воздействиям или чрезмерной вибрации.
- Соединительные разъемы должны быть закрыты, с целью исключения контакта с проводами, находящимися под напряжением.
- Контроллер серии α2 и модуль AL2-2PT-ADP должны быть инсталлированы в распределительном ящике, или в стойке управления. Распределительный ящик должен быть оборудован крышкой для модуля AL2-2PT-ADP, с тем, чтобы исключить возможность попадания посторонних предметов внутрь модуля.
- Оставляйте, как минимум, пространство 10 мм (0,40 дюйма) для вентиляции, между верхней и нижней кромкой модуля AL2-2PT-ADP, и ограждающими его стенками стойки.
- Максимальное расстояние между контроллером серии α2 и модулем AL2-2PT-ADP не должно превышать 3 метра (9 футов и 10 дюймов).
- Кабель электропитания должен иметь длину не более 10 метров.
- В случае, когда датчик располагается вблизи электропроводящего материала, необходимо использовать датчик с электрической изоляцией, рассчитанной на номинальное напряжение 500 вольт, или более.

Рисунок 12.3: Инсталляция



Устройства можно монтировать на защелке, при помощи крепления к 35-миллиметровой DIN-рейке (DIN EN 50022). Для отсоединения устройства оттяните подпружиненные защелки в сторону от рельса, и снимите устройство с рельса, сдвинув его вверх.

- 1) Для установки
Совместите верхний край канавки, имеющейся на корпусе модуля AL2-2PT-ADP, и предназначенной для монтажа на DIN-рейке, с краем рельса (1), и надвиньте устройство на рельс.
- 2) Для отсоединения
Оттяните вниз крючок зацепления с рельсом в стандарте DIN (1), и отсоедините модуль AL2-2PT-ADP от рельса.

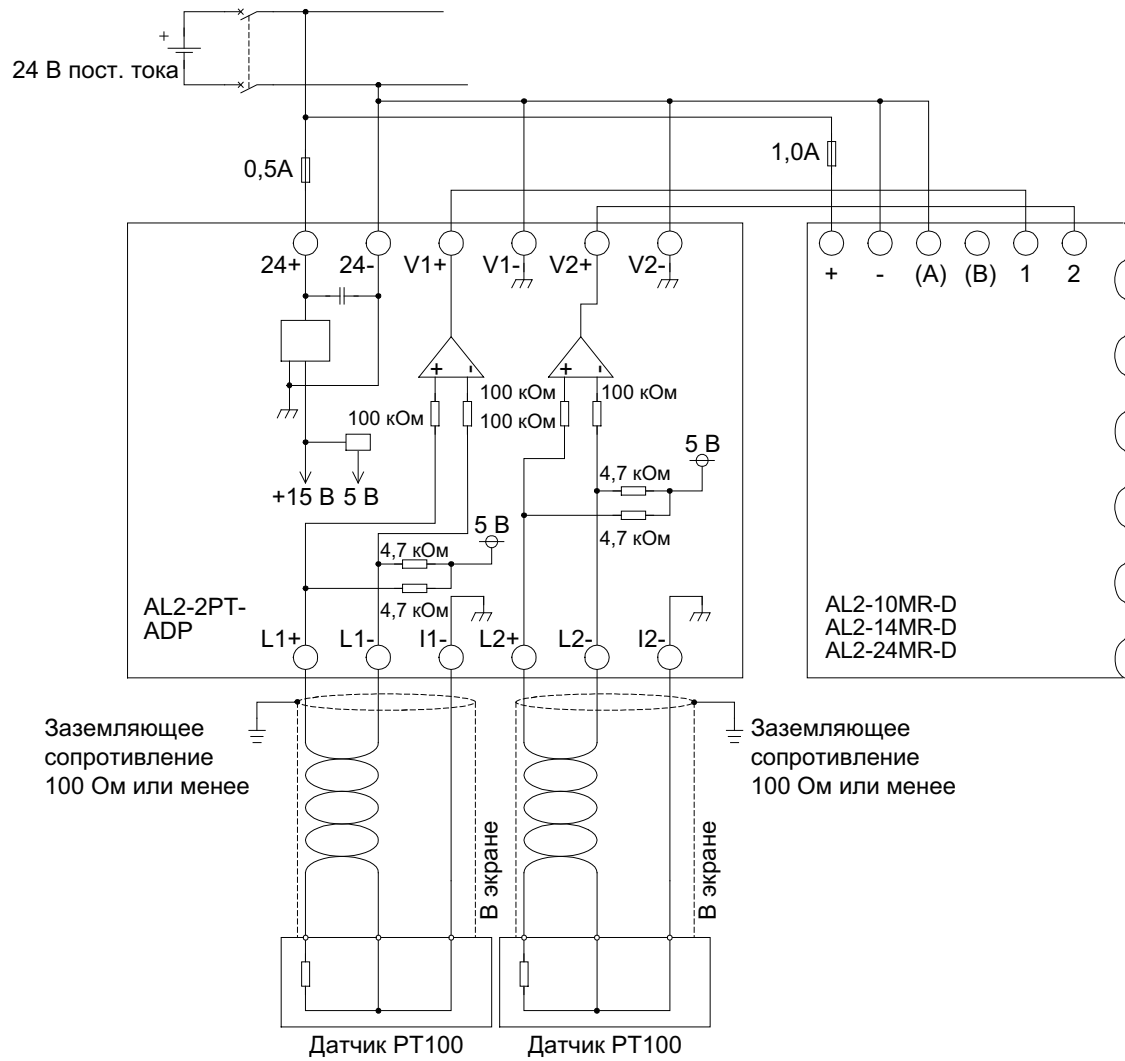
12.4.2 Электрические соединения



Предостережение

- Пожалуйста, используйте изолированный источник электропитания, и отключайте электропитание перед тем, как будет выполняться любая операция по электромонтажу.
- Входные и выходные провода не должны проходить в одном и том же многожильном электрическом кабеле, и для этих цепей нельзя использовать общие провода.
- Входной кабель (от датчика к модулю AL2-2PT-ADP) должен иметь длину менее 10 м (32 фута и 81 дюйм), а длина выходного кабеля не должна превышать 3 м (9 футов и 10 дюймов).
- В качестве проводов могут использоваться провода с одиночным проводником, или многопроволочные провода с аккуратно скрученными проволочками, составляющими жилу провода (могут использоваться с надевающимся на жилу провода, обжимным контактным хомутиком).
Не присоединяйте провода с залуженными концами к клеммам модуля AL2-2PT-ADP.
- С целью избежать повреждение провода, затягивайте винт клеммы с вращательным моментом 0,5 - 0,6 Н·м.
- В модуле AL2-2PT-ADP необходимо выполнить регулировку с целью установки величины смещения и коэффициента усиления, по этой причине, отключите электропитание перед тем, как выполнять электрические соединения, необходимые для регулировки.

Рисунок 12.4: Электрические соединения



12.4.3 Выбор температурной шкалы

- 1) Включите электропитание контролера серии α2 и выберите пункт "другие" из главного меню.

```
Г л . м е н ю  
С и с т . в р е м я  
L A N G U A G E  
» д р у г и е
```

- 2) Выберите пункт "Аналог.вх." из меню "другие".

```
д р у г и е  
C O M п о р т  
П о д с в е т к а  
» А н а л о г . в х .
```

- 3) Выберите пункт "Температ." из меню "Аналог.вх.".

```
А н а л о г . в х .  
1 0 7  
1 0 8  
» Т е м п е р а т
```

- 4) Выберите шкалу Цельсия ("Celsius") или шкалу Фаренгейта ("Fahrenheit") при помощи кнопки ОК.

```
А н а л о г . в х .  
Т е м п е р а т .  
» C e l s i u s  
F a h r e n h e i t
```



В контроллере может быть выбрана только одна система единиц измерения.



Величины в меню "Калибровка" будут оставаться в единицах измерения "Celsius", независимо от системы единиц измерения, которая выбрана для данного контроллера, поскольку они указаны в надписях, сделанных для обозначения штырьков переключателей в аппаратной части.

12.4.4 Регулировка смещения



Примечание

Если величина коэффициента усиления отрегулирована, тогда выполнение пунктов 3 – 7 не требуется.

- 1) Для того, чтобы начать калибровку смещения для канала 1, отключите электропитание контроллера серии α2 и модуля AL2-2PT-ADP, отсоедините датчик температуры и соедините между собой штырьки L1- и I1-.
- 2) Снимите верхнюю крышку в области переключателей, и переставьте переключки на штырьки с обозначениями -50°C, как показано ниже, на рисунке "Конфигурация аппаратной части". Внешние электрические соединения должны быть выполнены, как показано ниже, на рисунке "Конфигурация аппаратной части".



Предупреждение

Переключка должна быть установлена в том положении, которое показано здесь, в противном случае может оказаться, что электрический контакт не обеспечивается.

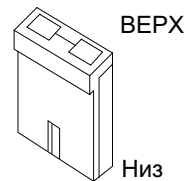
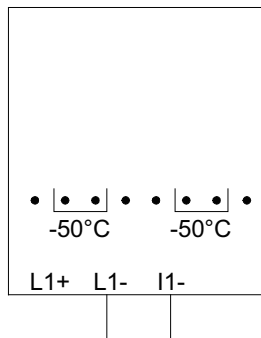
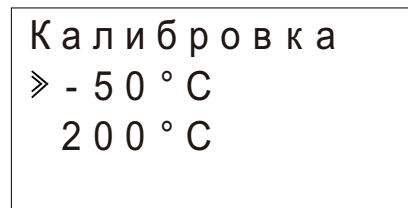


Рисунок 12.5: Регулировка смещения в модуле AL2-2PT-ADP

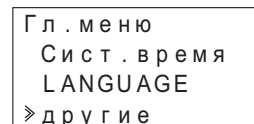
Конфигурация аппаратной части



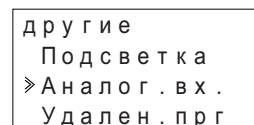
Конфигурация контроллера



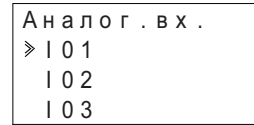
- 3) Включите электропитание и выберите пункт "другие" из главного меню, в то время, когда контроллер находится в режиме "Останов" (Stop).



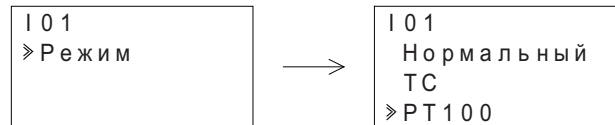
- 4) Выберите пункт "Аналог.вх." из меню "другие".



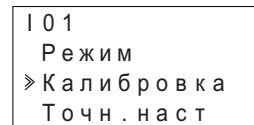
5) Выберите вход, который соединен с модулем AL2-2PT-ADP.



6) Установите конфигурацию входа для измерения температуры при помощи датчика с модулем AL2-2PT-ADP, выбрав пункт "Режим", и затем выбрав датчик "PT100", из пунктов на экране, показанных ниже.



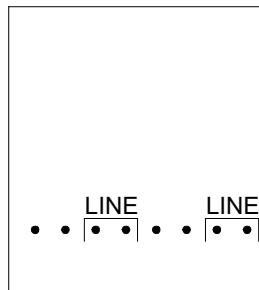
7) После установки режима работы с датчиком "PT100", выберите пункт "Калибровка" из пунктов меню установок аналогового входа.



8) Выберите пункт "-50°C" из пунктов меню "Калибровка", как показано на рисунке 12.5 "Конфигурация контроллера", и нажмите "ОК". Должно появиться подтверждающее сообщение, которое выглядит как "ОК." Если это сообщение не появилось, обратитесь к имеющемуся ниже параграфу "Проверки при возникновении вероятных ошибок". Этим завершается процедура калибровки смещения. Для того, чтобы выполнить калибровку смещения для канала 2, повторите описанные выше шаги, заменяя L1-, L1+ и I1- на L2-, L2+ и I2- соответственно. После того, как калибровка будет завершена, переставьте перемычку на штырьки, имеющие обозначение "LINE".

Рисунок 12.6: Положение перемычек после завершения калибровки

Конфигурация аппаратной части



Часто бывает необходимо выполнить регулировку коэффициента усиления при выполнении регулировки смещения. Обратитесь к разделу 12.4.4 для получения более детальной информации.

12.4.5 Регулировка коэффициента усиления



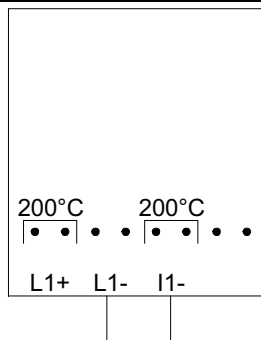
Примечание

Если регулировка смещения выполнена, тогда выполнение пунктов 3 - 4 не требуется.

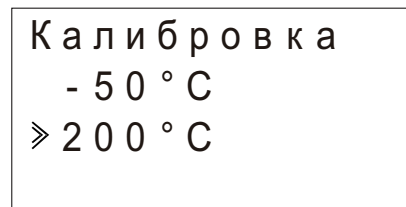
- 1) Для того, чтобы начать калибровку для канала 1, отключите электропитание контроллера серии α2 и модуля AL2-2PT-ADP, отсоедините датчик температуры и соедините между собой штырьки L1- и I1-.
- 2) Снимите верхнюю крышку в области перемычек, и переставьте перемычки на штырьки с обозначениями 200°C, как показано ниже, на рисунке "Конфигурация аппаратной части".

Рисунок 12.7: Регулировка коэффициента усиления в модуле AL2-2PT-ADP

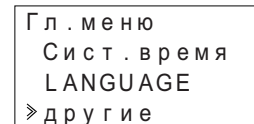
Конфигурация аппаратной части



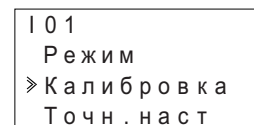
Конфигурация контроллера



- 3) Включите электропитание и выберите пункт "другие" из главного меню, в то время, когда контроллер находится в режиме "Останов" (Stop).



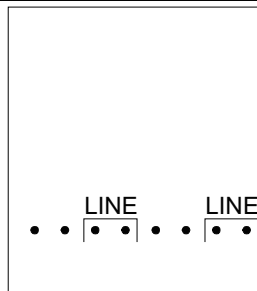
- 4) После установки режима работы с датчиком "PT100" (Смотрите описание процесса настройки смещения выше), выберите пункт "Калибровка" из пунктов меню установок аналогового входа.



- 5) Выберите пункт "200°C" из пунктов меню "Калибровка", как показано на рисунке 12.7 "Конфигурация контроллера", и нажмите "ОК". Должно появиться подтверждающее сообщение, которое выглядит как "ОК." Если это сообщение не появилось, обратитесь к имеющемуся ниже параграфу "Проверки при возникновении вероятных ошибок". Этим завершается процедура калибровки коэффициента усиления. Для того, чтобы выполнить калибровку смещения для канала 2, повторите описанные выше шаги, заменяя L1-, L1+ и I1- на L2-, L2+ и I2- соответственно. После того, как калибровка будет завершена, переставьте перемычку на штырьки, имеющие обозначение "LINE".

Положение перемычек после завершения калибровки

Конфигурация аппаратной части



Часто бывает необходимо выполнить регулировку смещения при выполнении регулировки коэффициента усиления. Обратитесь к разделу 12.4.3 для получения более детальной информации.

12.4.6 Точная регулировка смещения



Эта точная регулировка должна выполняться только после выполнения регулировки коэффициента усиления и величины смещения.

- 1) Выберите пункт "другие" из главного меню.

```
Гл. меню
Сист. время
LANGUAGE
» другие
```

- 2) Выберите пункт "Аналог.вх." из меню "другие".

```
другие
Подсветка
» Аналог. вх.
Удален. прг
```

- 3) В меню "Аналог.вх." выберите тот вход, который имеет конфигурацию для приема входного сигнала от датчика PT100.

```
Аналог. вх.
I 01
» I 02 : PT100
I 03 : TC
```

- 4) Выберите пункт "Точн.настр" из пунктов меню установки параметров аналогового входа.

```
I 02
Режим
Калибровка
» Точн. наст
```

- 5) При помощи кнопок "+" и "-", введите значение от -15,5°C до 15,5°C (от -27,9°F до 27,9°F). После завершения нажмите клавишу ОК.

```
I 02
Точн. наст
0.0 °C
```

12.4.7 Проверки при возникновении вероятных ошибок

В случае, когда входное напряжение превышает 11 В, или равно 0 В, будут установлены следующие системные флаги.

Таблица 12.8:

		AL2-10MR-D	AL2-14MR-D AL2-24MR-D
M17	0: Нормальная работа 1: Неисправность на входе I01	✓	✓
M18	0: Нормальная работа 1: Неисправность на входе I02	✓	✓
M19	0: Нормальная работа 1: Неисправность на входе I03	✓	✓
M20	0: Нормальная работа 1: Неисправность на входе I04	✓	✓
M21	0: Нормальная работа 1: Неисправность на входе I05	✓	✓
M22	0: Нормальная работа 1: Неисправность на входе I06	✓	✓
M23	0: Нормальная работа 1: Неисправность на входе I07	—	✓
M24	0: Нормальная работа 1: Неисправность на входе I08	—	✓

- В том случае, когда появляются флаги, указанные в приведенной выше таблице, проверьте следующее:

- подсоединен ли датчик
- нет ли разрыва в цепи подключения датчика
- не превышает ли температура указанный предел
- обеспечивается электропитание модуля AL2-2PT-ADP.

- Если при калибровке смещения/коэффициента усиления вместо сообщения "OK" появляется сообщение "Ошибка", проверьте, что:

- обеспечивается электропитание модуля AL2-2PT-ADP
- модуль AL2-2PT-ADP правильно подключен к α2
- для калибровки выбран вход, который соединен с модулем AL2-2PT-ADP
- закорочены входы L1- и I1- на модуле AL2-2PT-ADP
- переключатель на модуле AL2-2PT-ADP установлена на штырьки с обозначением "-50 °C" или "200 °C"
- выбран пункт меню калибровки, соответствующий позиции переключателя ("-50 °C" или "200 °C")

RUS

Для заметок

13. Модуль преобразователя AL2-2TC-ADP

Модуль преобразователя AL2-2TC-ADP для термпарного датчика температуры (в дальнейшем упоминаемый, как "AL2-2TC-ADP") следует использовать для усиления сигнала от термпарного датчика температуры (типа "К"), для получения аналогового сигнала напряжением 0 - 10 Вольт, используемого в качестве входного сигнала в главном блоке. Дальнейшую информацию можно найти в Руководстве по инсталляции модуля AL2-2TC-ADP.



Предостережение

- Все задачи, связанные с выполнением электрического монтажа контроллера серии α2 и модуля AL2-2TC-ADP, должны решать лица, прошедшие подготовку в соответствии с местными и государственными стандартами, устанавливающими требования к электромонтажу.
- Контроллер серии α2 не рассчитан на применение в условиях, критических в отношении жизни человека, или в условиях, когда требуется полная безотказность.
- Ни при каких обстоятельствах компания "Мицубиси Электрик" не будет нести юридическую ответственность, и не будет признавать за собой какие-либо обязательства, в связи с любым последующим ущербом, который может возникнуть в результате инсталляции или использования данного оборудования.



Предупреждение относительно электромагнитной совместимости

Установлено, что изготавливаемый компанией "Мицубиси Электрик" аналоговый модуль контроллера серии α2 соответствуют требованиями указанных европейских стандартов и директив. Тем не менее (для обеспечения наилучших рабочих характеристик, исходя из фактических особенностей, которыми обладают чувствительные измерительные и управляющие выходные устройства), компания "Мицубиси Электрик" хотела бы обратить внимание на следующие моменты:

- В силу того, что аналоговые модули являются чувствительными по своей природе, их использование должно быть тщательно продумано. В случае, когда пользователями применяются фирменные кабели (неотделяемые от датчиков или исполнительных механизмов), такие пользователи должны выполнять при инсталляции требования, сформулированные производителями этих изделий.
- Компания "Мицубиси Электрик" рекомендует применять экранированные кабели. Если не предусмотрено НИКАКИХ других защитных мер для обеспечения условий по электромагнитной совместимости, пользователи могут наблюдать временные ошибки, не превышающие + 3%/ -3% при работе в тяжелых условиях промышленных зон. Однако, компания "Мицубиси Электрик" предполагает, что в случае, когда используются адекватные меры предосторожности для обеспечения электромагнитной совместимости, с применением общих практических мер по требованиям условия электромагнитной совместимости при использовании полной системы управления, пользователи должны ожидать появления обычных ошибок при работе, которые указываются в описании каждого самостоятельного изделия.

13.1 Введение

Модуль AL2-2TC-ADP следует использовать для преобразования входного сигнала, принимаемого от термопарного датчика температуры (типа "К") в аналоговый сигнал напряжения (0 - 10 В) для использования в главном блоке.

13.1.1 Внешние разме

Рисунок 13.1: Внешние размеры

Единицы измерения: миллиметры (дюймы)

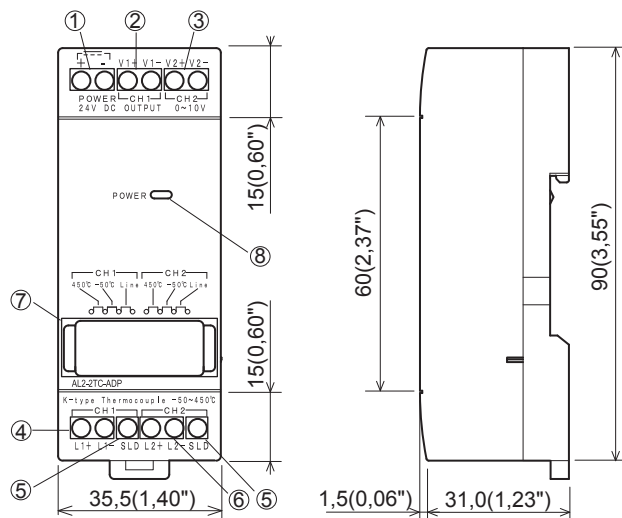
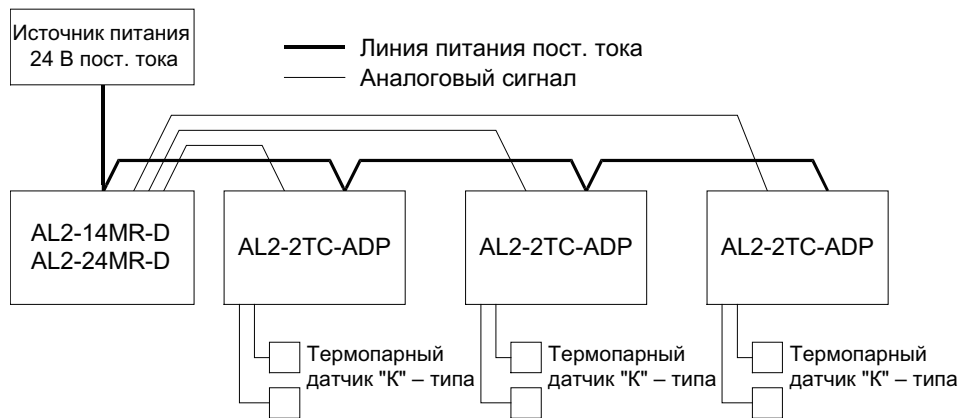


Таблица 13.1:

Позиция	Наименование
1	Источник питания + 24 В пост. тока
2	Клемма выходного сигнала напряжения 1-го канала
3	Клемма выходного сигнала напряжения 2-го канала
4	Клемма для входного сигнала от термопарного датчика температуры "К" – типа, 1-й канал
5	Клемма заземления экрана
6	Клемма для входного сигнала от термопарного датчика температуры "К" – типа, 2-й канал
7	Штырьки переключателей для настройки
8	Светодиодный индикатор включения электропитания

13.2 Конфигурация системы

Рисунок 13.2



Для получения информации об общих технических характеристиках, пожалуйста, обратитесь к главе 2.

Таблица 13.2: Применяемая версия

Тип программируемого логического контроллера	Применимая версия
Серия α2 (только вариант с питанием от источника пост. тока)	V2.00 или более поздняя
Программное обеспечение VLS	V2.30 или более поздняя



Примечание

Модуль AL2-2TC-ADP не может использоваться с версиями контроллера α ниже α2.

13.3 Технические характеристики

Таблица 13.3: Общие характеристики

Характеристика	Значение характеристики
Диапазон рабочих температур	(-25) - 55°C/(-13) - 131° Фаренгейта
Температура хранения	(-30) - 70°C/(-22) - 158° Фаренгейта
Влажность	Относительная влажность 35 – 85%, без конденсации
Вибрационная устойчивость – при монтаже на DIN-рельс	Соответствует IEC 68-2-6; 10-57 Гц: постоянная амплитуда 0,075 мм 57-150 Гц: Ускорение 9,8 м/сек. ² Число размахов по координатам X,Y,Z: 10 раз (80 минут в каждом направлении)
Ударная устойчивость	Соответствует IEC 68-2-27: Ускорение 147 м/сек. ² , Время воздействия: 11 мс, 3 раза в каждом направлении X,Y, и Z
Помехоустойчивость	1000 В полный размах, 1 микросекунда, 30 – 100 Гц, испытание при помощи имитатора помехи
Напряжение, выдерживаемое диэлектрической изоляцией	500 В переменного тока~ в течение одной минуты между всеми терминалами и блоком управления DIN43880 или эквивалентом.
Сопротивление изоляции	7 МΩ при 500 В постоянного тока между всеми терминалами и распределительным блоком DIN43880 или эквивалентом.
Рабочая окружающая среда	Не должна содержать агрессивных газов.

Таблица 13.4: Характеристики электропитания

Характеристика	Значение характеристики
Источник питания	24 В пост. тока + 20%, – 15%
Максимальное потребление электроэнергии	0,5 Вт

Таблица 13.5: Стандарт настройки

Характеристика	Значение характеристики
Соответствие указаниям по электрической совместимости (ЕС)	EMC EN61131-2: 2007
Сертификация UL/cUL	Номер файла: E95239

Таблица 13.6: Технические характеристики аппаратной части

Характеристика	Значение технической характеристики	
	Градусы по шкале Цельсия (° C)	Градусы по шкале Фаренгейта (° F)
Характеристика входной цепи	Термопарный датчик "К" – типа, JIS C1602-1995 (IEC 584-1 1977, IEC 584-2 1982), изолированного типа	
Компенсированный диапазон	- 50 ° C - 450 ° C	-58°F - 842° F
Общая точность	±2,0 (во всем температурном диапазоне) и ±1,5% (при 25°C)	±2,0% (во всем температурном диапазоне) и ±1,5% (при 77°F)
Разрешение	1°C	
Время цифро-аналогового преобразования	20,5 мс	
Изолирующая цепь	Не имеется изолирующей развязки между каналами (вход/выход) и цепью питания	
Характеристики преобразования входного сигнала	<p>Цифровой сигнал</p> <p>Температура</p>	<p>Цифровой сигнал</p> <p>Температура</p>

Таблица 13.7: Характеристики программного обеспечения

Характеристика		Значение характеристики	AL2-10MR-D	AL2-14MR-D AL2-24MR-D
Системный бит	M17	"Включен" когда имеется повреждение датчика, подключенного к входу I01	✓	✓
	M18	"Включен" когда имеется повреждение датчика, подключенного к входу I02	✓	✓
	M19	"Включен" когда имеется повреждение датчика, подключенного к входу I03	✓	✓
	M20	"Включен" когда имеется повреждение датчика, подключенного к входу I04	✓	✓
	M21	"Включен" когда имеется повреждение датчика, подключенного к входу I05	✓	✓
	M22	"Включен" когда имеется повреждение датчика, подключенного к входу I06	✓	✓
	M23	"Включен" когда имеется повреждение датчика, подключенного к входу I07	—	✓
	M24	"Включен" когда имеется повреждение датчика, подключенного к входу I08	—	✓

RUS

13.4 Электрические соединения и инсталляция

13.4.1 Инсталляция



Предостережение

- Не устанавливайте устройства в таких местах, где имеется чрезмерное содержание пыли, или пыль является электропроводящей, где присутствуют агрессивные или воспламеняющиеся газы, имеется повышенная влажность или где устройство может оказаться под дождем, где имеется чрезмерное тепловыделение, где устройство может оказаться подвержено регулярным ударным воздействиям или чрезмерной вибрации.
- Соединительные разъемы должны быть закрыты, с целью исключения контакта с проводами, находящимися под напряжением.
- Контроллер серии $\alpha 2$ и модуль AL2-2TC-ADP должен быть инсталлирован в распределительном ящике, или в стойке управления. Распределительный ящик должен быть оборудован крышкой для модуля AL2-2TC-ADP, с тем, чтобы исключить возможность попадания посторонних предметов внутрь модуля.
- Оставляйте, как минимум, пространство 10 мм (0,40 дюйма) для вентиляции, между верхней и нижней кромкой модуля AL2-2TC-ADP, и ограждающими его стенками стойки.
- Максимальное расстояние между контроллером серии $\alpha 2$ и модулем AL2-2TC-ADP не должно превышать 3 метра (9 футов и 10 дюймов).
- Кабель электропитания должен иметь длину не более 10 метров.
- В случае, когда датчик располагается вблизи электропроводящего материала, необходимо использовать датчик с электрической изоляцией, рассчитанной на номинальное напряжение 500 вольт, или более.

Рисунок 13.3: Инсталляция



Устройства можно монтировать на защелке, при помощи крепления к 35-миллиметровой DIN-рейке (DIN EN 50022). Для отсоединения, оттяните подпружиненные защелки в сторону от рельса, и снимите устройство с рельса, сдвинув его вверх.

1) Для установки

Совместите верхний край канавки, имеющейся на корпусе модуля AL2-2TC-ADP, и предназначенной для монтажа на DIN-рейке (1), и надвиньте устройство на рельс (2).

2) Для отсоединения

Оттяните вниз крючок зацепления с рельсом в стандарте DIN (1), и отсоедините модуль AL2-2TC-ADP от рельса.

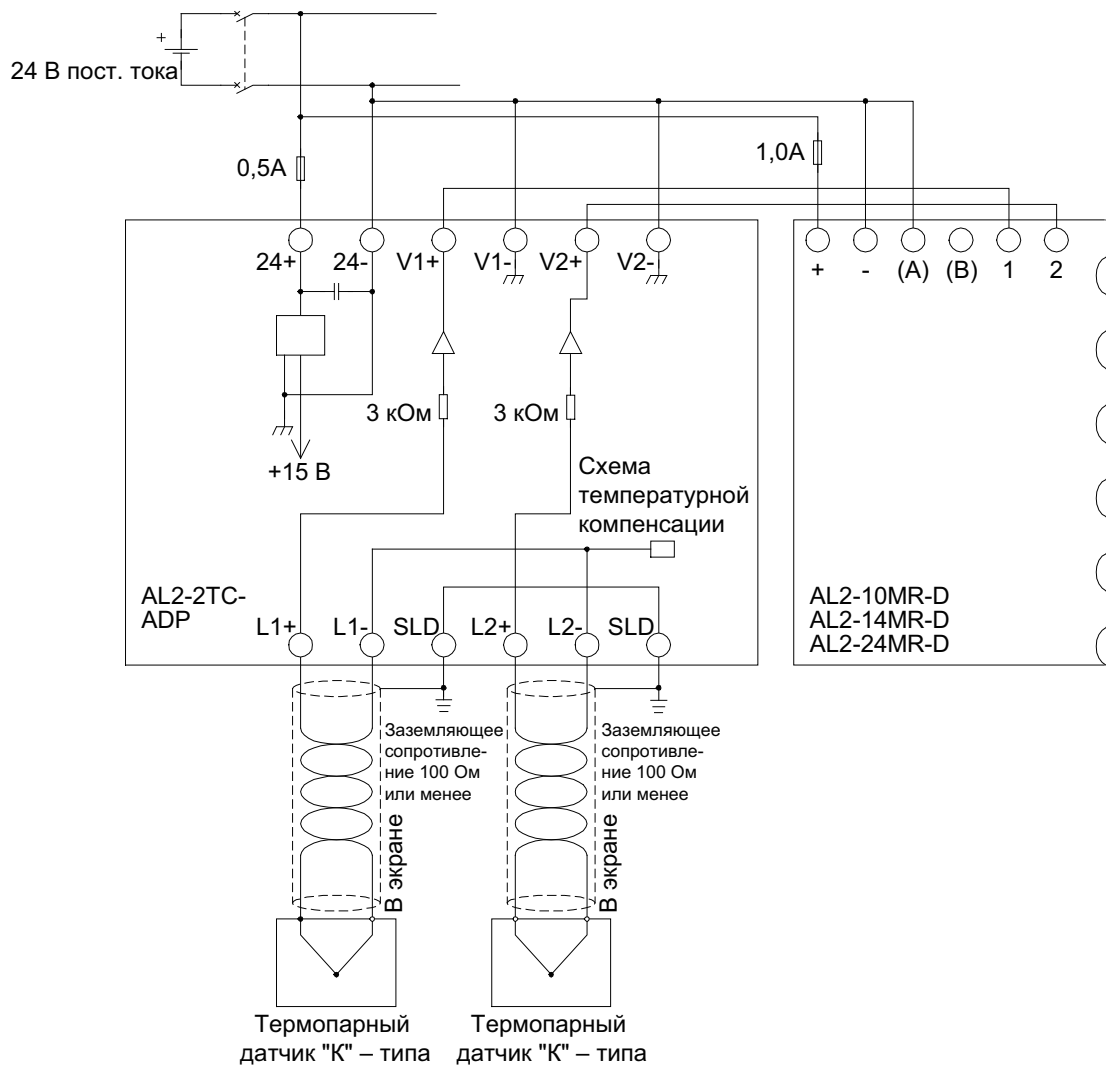
13.4.2 Электрические соединения



Предостережение

- Пожалуйста, используйте изолированный источник электропитания, и отключайте электропитание перед тем, как будет выполняться любая операция по электромонтажу.
- Входные и выходные провода не должны проходить в одном и том же многожильном электрическом кабеле, и для этих цепей нельзя использовать общие провода.
- Входной кабель (от датчика к модулю AL2-2TC-ADP) должен иметь длину менее 10 м (32 фута и 81 дюйм), а длина выходного кабеля не должна превышать 3 м (9 футов и 10 дюймов).
- В качестве проводов могут использоваться провода с одиночным проводником, или многопроволочные провода с аккуратно скрученными проволочками, составляющими жилу провода (могут использоваться с надевающимся на жилу провода, обжимным контактным хомутиком).
Не присоединяйте провода с залуженными концами к клеммам модуля AL2-2TC-ADP.
- С целью избежать повреждение провода, затягивайте винт клеммы с вращательным моментом 0,5 - 0,6 Н·м.
- В модуле AL2-2TC-ADP необходимо выполнить регулировку с целью установки величины смещения и коэффициента усиления, по этой причине, отключите электропитание перед тем, как выполнять электрические соединения, необходимые для регулировки.

Рисунок 13.4:



13.4.3 Выбор температурной шкалы

- 1) Включите электропитание контролера серии α2 и выберите пункт "другие" из главного меню.

```
Гл. меню
Сист. время
LANGUAGE
» другие
```

- 2) Выберите пункт "Аналог.вх." из меню "другие".

```
другие
COM порт
Подсветка
» Аналог. вх.
```

- 3) Выберите пункт "Температ." из меню "Аналог.вх.".

```
Аналог. вх.
107
108
» Температ
```

- 4) Выберите шкалу Цельсия ("Celsius") или шкалу Фаренгейта ("Fahrenheit") при помощи кнопки ОК.

```
Аналог. вх.
Температ.
» Celsius
Fahrenheit
```



В контроллере может быть выбрана только одна система единиц измерения.



Величины в меню "Калибровка" будут оставаться в единицах измерения "Celsius", независимо от системы единиц измерения, которая выбрана для данного контроллера, поскольку они указаны в надписях, сделанных для обозначения штырьков переключателей в аппаратной части.

13.4.4 Регулировка смещения



Примечание

Если величина коэффициента усиления отрегулирована, тогда выполнение пунктов 3 – 7 не требуется.

- 1) Для того, чтобы начать калибровку для канала 1, отключите электропитание контроллера серии α2 и модуля AL2-2TC-ADP, и отсоедините датчик температуры. Штырьки L1-, L1+ и SLD должны оставаться не подключенными.
- 2) Снимите верхнюю крышку в области перемычек, и переставьте перемычки на штырьки с обозначениями -50° C, как показано ниже, на рисунке "Конфигурация аппаратной части".



Предупреждение

Перемычка должна быть установлена в том положении, которое показано здесь, в противном случае может оказаться, что электрический контакт не обеспечивается.

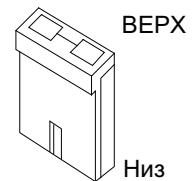
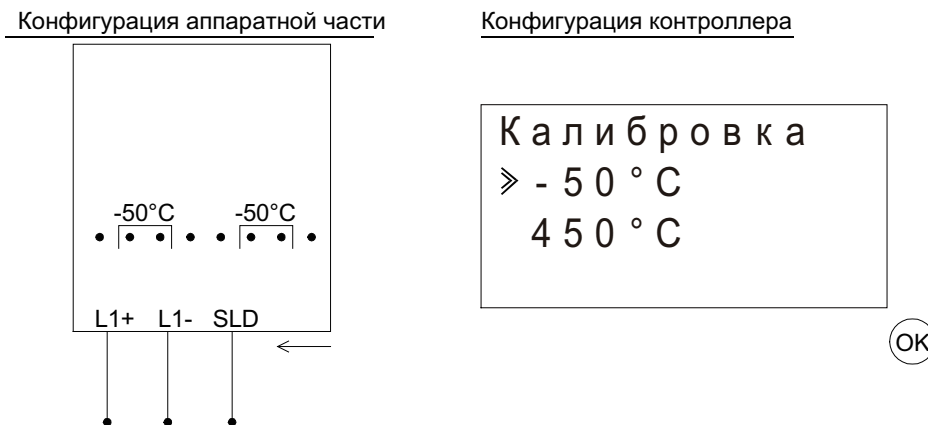
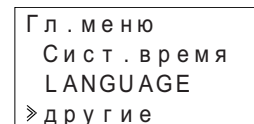


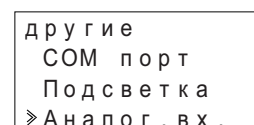
Рисунок 13.5: Регулировка смещения в модуле AL2-2TC-ADP



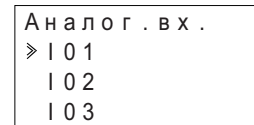
- 3) Включите электропитание и выберите пункт "другие" из главного меню, в то время, когда контроллер находится в режиме "Останов" (Stop).



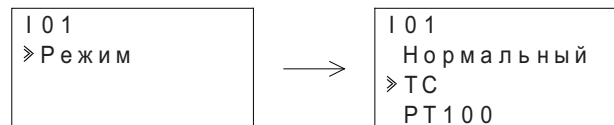
- 4) Выберите пункт "Аналог.вх." из меню "другие".



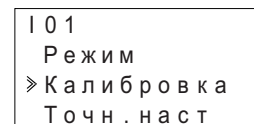
5) Выберите вход, который соединен с модулем AL2-2TC-ADP.



6) Установите конфигурацию входа для измерения температуры при помощи датчика с модулем AL2-2TC-ADP, выбрав пункт "Режим", и затем выбрав датчик "ТС", из пунктов на экране, показанных ниже.



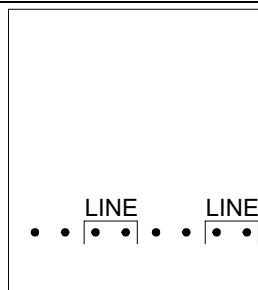
7) После установки режима работы с датчиком "ТС", выберите пункт "Калибровка" из пунктов меню установок аналогового входа.



8) Выберите пункт "- 50°C" из пунктов меню "Калибровка", как показано на рисунке 13.5 "Конфигурация контроллера", и нажмите "ОК". Должно появиться подтверждающее сообщение, которое выглядит как "ОК." Если это сообщение не появилось, обратитесь к имеющемуся ниже параграфу "Проверки при возникновении вероятных ошибок". Этим завершается процедура калибровки смещения. Для того, чтобы выполнить калибровку смещения для канала 2, повторите описанные выше шаги, заменяя L1-, L1+ и SLD на L2-, L2+ и SLD- соответственно. После того, как калибровка будет завершена, переставьте перемычку на штырьки, имеющие обозначение "LINE".

Рисунок 13.6: Положение перемычек после завершения калибровки

Конфигурация аппаратной части



Часто бывает необходимо выполнить регулировку коэффициента усиления при выполнении регулировки смещения. Обратитесь к разделу 13.4.5 для получения более детальной информации.

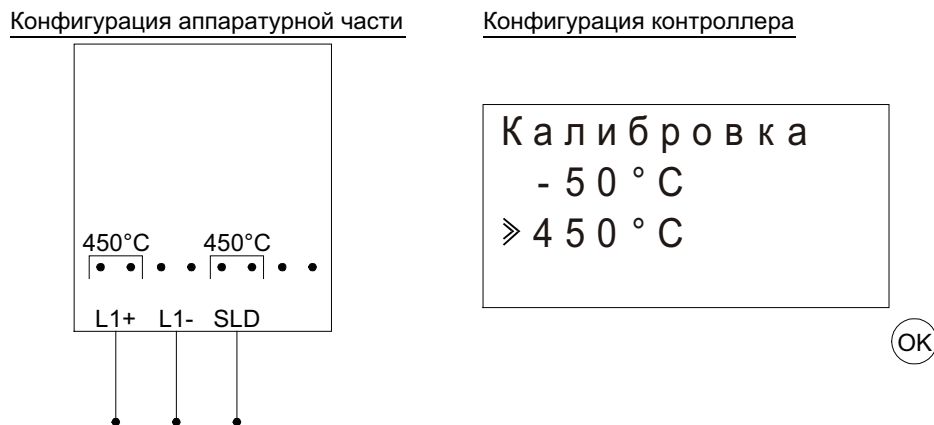
13.4.5 Регулировка коэффициента усиления

Примечание

Если регулировка смещения выполнена, тогда выполнение пунктов 3 - 4 не требуется.

- 1) Для того, чтобы начать калибровку для канала 1, отключите электропитание контроллера серии α2 и модуля AL2-2TC-ADP, и отсоедините датчик температуры. Штырьки L1-, L1+, и SLD должны оставаться не подключенными.
- 2) Снимите верхнюю крышку в области переключателей, и переставьте переключки на штырьки с обозначениями 450 °C, как показано ниже, на рисунке "Конфигурация аппаратной части".

Рисунок 13.7: Регулировка коэффициента усиления в модуле AL2-2TC-ADP

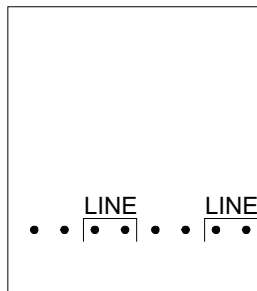


- 3) Включите электропитание и выберите пункт "другие" из главного меню, в режиме "Останов" (Stop).
- 4) После установки режима работы с датчиком "ТС" (Смотрите описание процесса настройки смещения выше), выберите пункт "Калибровка" из пунктов меню установок аналогового входа.

- 5) Выберите пункт "450 °C" из пунктов меню "Калибровка", как показано на приведенном выше рисунке "Конфигурация контроллера". Должно появиться подтверждающее сообщение, которое выглядит как "ОК." Если это сообщение не появилось, обратитесь к имеющемуся ниже параграфу "Проверки при возникновении вероятных ошибок". Этим завершается процедура калибровки коэффициента усиления. Для того, чтобы выполнить калибровку смещения для канала 2, повторите описанные выше шаги, заменяя L1-, L1+ и SLD- на L2-, L2+ и SLD соответственно. После того, как калибровка будет завершена, переставьте перемычку на штырьки, имеющие обозначение "Линия" ("LINE").

Рисунок 13.8: Положение перемычек после завершения калибровки

Конфигурация аппаратной части



Часто бывает необходимо выполнить регулировку смещения при выполнении регулировки коэффициента усиления. Обратитесь к разделу 13.4.4 для получения более детальной информации.

13.4.6 Точная регулировка смещения



Эта точная регулировка должна выполняться только после выполнения регулировки коэффициента усиления и величины смещения.

- 1) Выберите пункт "другие" из главного меню.

```
Гл. Меню
Сист. время
LANGUAGE
» другие
```

- 2) Выберите пункт "Аналог.вх." из меню "другие".

```
другие
COM порт
Подсветка
» Аналог. вх.
```

- 3) В меню "Аналог.вх." выберите вход, который конфигурирован для работы с датчиком "ТС".

```
Аналог. вх.
I 01
I 02 : PT100
» I 03 : TC
```

- 4) Выберите пункт "Точн.настр" из пунктов меню установки параметров аналогового входа.

```
I 03
Режим
Калибровка
» Точн. наст
```

- 5) При помощи кнопок "+" и "-", введите значение от -31°C до 31°C (от -55,8°F до 55,8°F). После завершения нажмите клавишу ОК.

```
I 03
Точн. наст
0 °C
```

13.4.7 Проверки при возникновении вероятных ошибок

В случае, когда входное напряжение превышает 11 В, или равно 0 В, будут установлены следующие системные флаги.

Таблица 13.8:

		AL2-10MR-D	AL2-14MR-D AL2-24MR-D
M17	0: Нормальная работа 1: Неисправность на входе I01	✓	✓
M18	0: Нормальная работа 1: Неисправность на входе I02	✓	✓
M19	0: Нормальная работа 1: Неисправность на входе I03	✓	✓
M20	0: Нормальная работа 1: Неисправность на входе I04	✓	✓
M21	0: Нормальная работа 1: Неисправность на входе I05	✓	✓
M22	0: Нормальная работа 1: Неисправность на входе I06	✓	✓
M23	0: Нормальная работа 1: Неисправность на входе I07	—	✓
M24	0: Нормальная работа 1: Неисправность на входе I08	—	✓

- В том случае, когда появляются флаги, указанные в приведенной выше таблице, проверьте следующее:
 - подсоединен ли датчик
 - нет ли разрыва в цепи подключения датчика
 - не превышает ли температура указанный предел
 - обеспечивается ли электропитание модуля AL2-2TC-ADP.

- Если при калибровке смещения/коэффициента усиления вместо сообщения "ОК" появляется сообщение "Ошибка", проверьте, что:
 - обеспечивается электропитание модуля AL2-2TC-ADP
 - модуль AL2-2TC-ADP правильно подключен к контроллеру серии α 2
 - для калибровки выбран вход, который соединен с модулем AL2-2TC -ADP
 - закорочены входы L1- и I1- на модуле AL2-2TC -ADP
 - перемычка на модуле AL2-2TC-ADP установлена на штырьки с обозначением "-50 °C" или "450 °C"
 - выбран пункт меню калибровки, соответствующий позиции перемычки ("-50 °C" или "450 °C")

Для заметок

14. Перечни клавиш, системных битов и ФБ

14.1 Перечни клавиш

В таблице, приведенной ниже, показаны клавиши, которыми следует пользоваться при работе с меню и пользовательской программой. Дальнейшую информацию можно найти в Руководстве по программированию контроллера серии α2.

Таблица 14.1: Перечень операционных клавиш

Обозначение клавиши	Номер клавиши	Описание действия
OK	K01	Прием ввода данных, выбор пунктов меню, выбор вариантов в программе
ESC	K02	Отмена текущей операции, переход на более высокий уровень отображаемого окна, или на более высокий уровень меню
+	K03	Объединение функциональных блоков, переход к блокам с более высокими номерами, увеличение значений
-	K04	Разъединение функциональных блоков, переход на блоки с более низкими номерами, уменьшение значений
▲	K05	Прокрутка с переходом к пунктам с более высокими номерами (клавиши, функциональные блоки, входы, выходы и т.д.)
▼	K06	Прокрутка с переходом к пунктам с более низкими номерами (клавиши, функциональные блоки, входы, выходы и т.д.)
▶	K07	Сдвиг вправо на жидкокристаллическом дисплее, к функциональным блокам программы, расположенным справа, или перехода через пункты вправо
◀	K08	Сдвиг влево на жидкокристаллическом дисплее, к функциональным блокам программы, расположенным слева, или перехода через пункты влево

14.2 Перечни системных битов

Имеются системные биты, который устанавливается системой, а также управляющие биты, управление которым осуществляется пользовательской программой.

14.2.1 Перечень системных битов

Таблица 14.2: Перечень системных битов

Системный бит	Описание	AL2-10MR-*	AL2-14MR- AL2-24MR-*
M01	Всегда "ВКЛЮЧЕН"	✓	✓
M02	Всегда "ВЫКЛЮЧЕН"	✓	✓
M03	Попеременно – 0,5 секунды находится в состоянии "ВКЛЮЧЕН"; 0,5 секунды находится в состоянии "ВЫКЛЮЧЕН"	✓	✓
M04	"ВКЛЮЧЕН", когда возникает ошибка в приеме данных для часов реального времени	✓	✓
M05	"ВКЛЮЧЕН", когда активен график летнего времени	✓	✓
M06	"ВКЛЮЧЕН", когда возникает ошибка передачи данных AS-интерфейса	—	✓
M07	"ВКЛЮЧЕН", когда возникает ошибка передачи данных в связи с неисправностью электропитания AS-интерфейса	—	✓
M08	ВКЛЮЧЕН, когда в контроллере серии α2 происходит переключение из режима "Останов" в режим "Работа". Сигнал состояния ВКЛЮЧЕН действует, как импульсный выходной сигнал, и после этого переходит в состояние ВЫКЛЮЧЕН.	✓	✓
M09	ВЫКЛЮЧЕН когда в контроллере серии α2 происходит переключение из режима "Останов" в режим "Работа". Сигнал состояния ВЫКЛЮЧЕН действует, как импульсный выходной сигнал, и после этого переходит в состояние ВКЛЮЧЕН.	✓	✓
M10	"ВКЛЮЧЕН" во время декодирования сигнала DCF77.	✓	✓
M11	Импульсный характер появления состояния "ВКЛЮЧЕН", когда завершается декодирование сигнала DCF77 без ошибки.	✓	✓
M12	"ВКЛЮЧЕН" при переводе сигнала приема CD (DCD) в состояние ВКЛЮЧЕН (прием сигнала CD от модема)	—	✓
M13	"ВКЛЮЧЕН", когда имеется возможность доступа в сеть GSM.	—	✓
M14	"ВКЛЮЧЕН", когда имеется доступ к контроллеру серии α2 через GSM.	—	✓
M15	"ВКЛЮЧЕН", когда происходит декодирование сигнала DCF77 с ошибкой.	✓	✓
M16	"ВКЛЮЧЕН", когда внешний источник электропитания для платы AL2-2DA находится в состоянии ВКЛЮЧЕН.	—	✓
M17	"ВКЛЮЧЕН", когда имеется неисправность датчика, подключенного ко входу I01	✓	✓

Таблица 14.2: Перечень системных битов

Системный бит	Описание	AL2-10MR-*	AL2-14MR- AL2-24MR-*
M18	"ВКЛЮЧЕН", когда имеется неисправность датчика, подключенного ко входу I02	✓	✓
M19	"ВКЛЮЧЕН", когда имеется неисправность датчика, подключенного ко входу I03	✓	✓
M20	"ВКЛЮЧЕН", когда имеется неисправность датчика, подключенного ко входу I04	✓	✓
M21	"ВКЛЮЧЕН", когда имеется неисправность датчика, подключенного ко входу I05	✓	✓
M22	"ВКЛЮЧЕН", когда имеется неисправность датчика, подключенного ко входу I06	✓	✓
M23	"ВКЛЮЧЕН", когда имеется неисправность датчика, подключенного ко входу I07	—	✓
M24	"ВКЛЮЧЕН", когда имеется неисправность датчика, подключенного ко входу I08	—	✓

14.2.2 Перечни управляющих битов

Таблица 14.3: Управляющие биты

Контрольный бит	Описание	AL2-10MR-*	AL2-14MR- AL2-24MR-*
N01	ВКЛЮЧЕН: Отсоединен от сети AS-интерфейса ВЫКЛЮЧЕН: Соединен с сетью AS-интерфейса	—	✓
N02*1	ВКЛЮЧЕН: Подсветка жидкокристаллического дисплея находится в состоянии "ВЫКЛЮЧЕНА". ВЫКЛЮЧЕН: Подсветка управляется установкой параметра "Подсветка" в меню.	✓	✓
N03*1	ВКЛЮЧЕН: Подсветка жидкокристаллического дисплея находится в состоянии "ВКЛЮЧЕНА". ВЫКЛЮЧЕН: Подсветка управляется установкой параметра "Подсветка" в меню.	✓	✓
N04	ВКЛЮЧЕН: Пользовательский экран управляется установленными параметрами функции "Организатор дисплея" ("Display Manager"), при помощи AL-PCS/WIN-E. ВЫКЛЮЧЕН: Пользовательский экран управляется пользовательской программой.	✓	✓

*1 В случае, когда оба бита N02 и N03 находятся в состоянии ВКЛЮЧЕН, задняя подсветка, в результате, будет находиться в состоянии "ВКЛЮЧЕНА", поскольку N03 имеет приоритет.

RUS

14.3 Перечни функциональных блоков (ФБ)

Дальнейшую информацию по функциональным блокам можно найти в Руководстве по программированию контроллеров серии α2.

Таблица 14.4: Перечень функциональных блоков

Функциональный блок		Объем используемой памяти (Байт)	Описание	AL2-10MR-*	AL2-14MR-*/AL2-24MR-*
Наименование	Обозначение				
"И"	AND	19	На выходе имеется состояние ВКЛЮЧЕН, когда на всех входах имеется состояние ВКЛЮЧЕН. Неиспользуемые входы считаются находящимися в состоянии ВКЛЮЧЕН	✓	✓
"ИЛИ"	OR	19	На выходе имеется состояние ВКЛЮЧЕН, когда по крайней мере на одном из входов имеется состояние ВКЛЮЧЕН. Неиспользуемые входы считаются находящимися в состоянии ВЫКЛЮЧЕН	✓	✓
"НЕ"	NOT	10	Инвертирует сигнал; изменяет состояние ВЫКЛЮЧЕН на состояние ВКЛЮЧЕН и наоборот.	✓	✓
Исключительное "ИЛИ"	XOR	13	Исключительное "ИЛИ"; на выходе имеется состояние ВКЛЮЧЕН, когда только на одном из двух входов имеется состояние ВКЛЮЧЕН	✓	✓
"НЕ-И"	NAND	19	"Не-И"; На выходе имеется состояние ВЫКЛЮЧЕН, только когда на всех входах имеется состояние ВКЛЮЧЕН. Неиспользуемые входы считаются находящимися в состоянии ВКЛЮЧЕН	✓	✓
"НЕ-ИЛИ"	NOR	19	"Не-ИЛИ"; На выходе имеется состояние ВЫКЛЮЧЕН, когда по крайней мере на одном входе имеется состояние ВКЛЮЧЕН. Неиспользуемые входы считаются находящимися в состоянии ВЫКЛЮЧЕН	✓	✓
Булеан	BL	*1	Логическое уравнение, в котором используются операции "И", "ИЛИ", "Исключительное ИЛИ", "НЕ"	✓	✓
Установка/сброс	SR	14	Фиксация реле в положении УСТАНОВКА или СБРОС, задание приоритета Установки или Сброса	✓	✓
Импульс	PL	10	Посылка импульса при повышении, спаде, или на обоих краях	✓	✓
Чередование	AL	13	Чередование состояний на выходе, ВКЛЮЧЕН или ВЫКЛЮЧЕН, при появлении каждого импульса на входе	✓	✓
Задержка	DL	19	Задержка сигнала при повышении, спаде, или на обоих краях	✓	✓

Таблица 14.4: Перечень функциональных блоков

Функциональный блок		Объем используемой памяти (Байт)	Описание	AL2-10MR-*	AL2-14MR-*/AL2-24MR-*
Наименование	Обозначение				
Однократное действие	OS	17	Посылка одиночного импульса; На временной основе или в зависимости от входного сигнала, Сброс имеющегося состояния на выходном контактном штыре.	✓	✓
Мерцание	FL	19	Посылка последовательности импульсов; Время в состоянии ВКЛЮЧЕН/ВЫКЛЮЧЕН, повторы, продолжительность, или непрерывное функционирование	✓	✓
Реле времени	TS	*2	Использование часов реального времени (RTC) для изменения состояний на выходе ВКЛЮЧЕН/ВЫКЛЮЧЕН; Календарный или недельный график	✓	✓
Поддержка реле времени	TSm	*2	Использование часов реального времени (RTC) для изменения состояний на выходе ВКЛЮЧЕН/ВЫКЛЮЧЕН; Календарный или недельный график Функциональный блок может быть настроен из главного меню "Устан.прм" с помощью кнопок передней панели.	✓	✓
Счетчик	CN	16	Выполняется счет поступающих импульсов, по возрастающей; может быть выполнен сброс по сигналу I	✓	✓
Счетчик прямого/обратного счета	UD	22	Выполняется прямой счет, и обратный отсчет. Устанавливается заданная величина, при которой на выходе появляется состояние ВКЛЮЧЕН	✓	✓
Сравнение	CP	17	Сравнение двух величин по принципу: <, >, =, <=, >=, <> (Аналоговых сигналов, непосредственно – установленных величин, или величин в функциональных блоках)	✓	✓
Начальное смещение. Коэффициент усиления Усиление	OG	22	Выполнение действий над аналоговыми величинами; $y = A/B * x + C$; Установка верхнего и нижнего предельных значений	✓	✓
Отображение	DP	*3	Отображение пользовательского экрана (вывод сообщений или данных) на жидкокристаллическом дисплее	✓	✓
Зона сравнения	ZC	20	Сравнение величины с диапазоном величин (Аналоговых сигналов, непосредственно – установленных величин, или величин в функциональных блоках)	✓	✓

RUS

Таблица 14.4: Перечень функциональных блоков

Функциональный блок		Объем используемой памяти (Байт)	Описание	AL2-10MR-*	AL2-14MR-*/AL2-24MR-*
Наименование	Обозначение				
Триггер Шмидта	ST	19	Переводит вход в состояние ВКЛЮЧЕН при высоком уровне сигнала, и в состояние ВЫКЛЮЧЕН при низком уровне (или наоборот)	✓	✓
Счетчик часов	HM	19	Производится регистрация суммарного времени, в течение которого имелся сигнал состояния ВКЛЮЧЕН	✓	✓
Определение скорости	SPD	25	Частота входного сигнала (частота переключения состояний ВКЛЮЧЕН/ВЫКЛЮЧЕН) измеряется в течение временного интервала установленной длительности. Значение частоты сравнивается с диапазоном величин, и на выходе устанавливается состояние ВКЛЮЧЕН/ВЫКЛЮЧЕН, в соответствии с результатов сравнения.	✓	✓
Широтно-импульсная модуляция	PWM	16	В случае, когда задействован этот функциональный блок, на выходе появляется непрерывная последовательность импульсов. Характеристиками этих импульсов являются: скважность (непосредственно – установленная величина, установленная аналоговым сигналом величина, величина в функциональном блоке), время цикла.	✓	✓
Чередование с запоминанием	RAL	13	Чередование на выходе состояния, ВКЛЮЧЕН/ВЫКЛЮЧЕН, при приходе каждого входного импульса. При выключении и повторном включении электропитания, имевшееся на выходе состояние сохраняется. Однако, последнее имевшееся на выходе состояние теряется, когда контроллер серии α2 переводится в режим "Останов" (Stop).	✓	✓
Сложение	ADD	20	$y = A + B$	✓	✓
Вычитание	SUB	20	$y = A - B$	✓	✓
Умножение	MUL	20	$y = A \times B$	✓	✓
Деление	DIV	20	$A \div B = q, r$ (частное и остаток)	✓	✓
Вычисление	CAL	*4	Уравнение с использованием действий +, -, ×, ÷, % и выбранные данные.	✓	✓

Таблица 14.4: Перечень функциональных блоков

Функциональный блок		Объем используемой памяти (Байт)	Описание	AL2-10MR-*	AL2-14MR-*/AL2-24MR-*
Наименование	Обозначение				
Сдвиг	SFT	19	Операция сдвига: когда сигналом на входе является функция "СДВИГ" ("SFT"), выходным сигналом является состояние последней "I". При использовании 8 – битовой операции сдвига, функциональный блок "СДВИГ" ("Shift") должен повторяться 8 раз.	✓	✓
GSM SMS	SMS	*5	Все содержимое экрана жидкокристаллического дисплея пересылается в виде сообщения в стандарте SMS.	—	✓
Прием коротких сообщений	SMR	*7	Выход изменяется коротким сообщением	—	✓
Поддержка приема коротких сообщений	SMRm	*7	Выход изменяется коротким сообщением. Функциональный блок может быть настроен из главного меню "Устан.прм" с помощью кнопок передней панели.	—	✓
Определение вызова	CD	30	Определение номера вызывающего абонента (CLIP). Определение номера телефона	—	✓
Поддержка определения вызова	CDm	30	Определение номера вызывающего абонента (CLIP). Определение номера телефона. Функциональный блок может быть настроен из главного меню "Устан.прм" с помощью кнопок передней панели.	—	✓
Однократное действие произвольной длительности	ROS	19	На выходе появляется однократный импульс случайной длительности.	✓	✓
Однократное действие с задержкой	DOS	20	По прошествии времени задержки, пересылается однократный импульс	✓	✓
Чередование с задержкой	DAL	16	По прошествии времени задержки, на выходе происходит чередование состояния, ВКЛЮЧЕН или ВЫКЛЮЧЕН, при приходе каждого входного импульса.	✓	✓
Установка/Сброс с запоминанием	RSR	14	Фиксация реле в положении УСТАНОВКА или СБРОС, задание приоритета Установки или Сброса. Последнее имевшееся на выходе состояние сохраняется при выключении и повторном включении электропитания. Однако, последнее имевшееся на выходе состояние теряется, когда контроллер серии α2 переводится в режим "Останов" (Stop).	✓	✓

RUS

Таблица 14.4: Перечень функциональных блоков

Функциональный блок		Объем используемой памяти (Байт)	Описание	AL2-10MR-*	AL2-14MR-*/AL2-24MR-*
Наименование	Обозначение				
ПИД-регулирование	PID	52	Функциональный блок PID представляет собой реализацию функции пропорционального интегрального изменения коэффициентов усиления в контроллере серии α2, метод управления, который применяется для достижения устойчивого управления системной переменной. Он включает в себя функцию Автонастройки, которая автоматически настраивает параметры Функционального блока для конкретного приложения.	✓	✓
Аналоговый выход	АО	17	Функция аналогового выхода заключается в переводе приходящей на вход цифровой величины в соответствующее ей значение аналогового сигнала напряжения или тока, в выбранном канале модуля AL2-2DA.	✓	✓
Управление отображением на дисплее	CDP	*6	Функция управления, определяющая, какое окно появляется на экране жидкокристаллического дисплея. Этот функциональный блок может быть установлен только при работе с программным обеспечением ALPCS/WIN-E. Когда управляющий бит N04 находится в состоянии ВКЛЮЧЕН, имеется возможность устанавливать вид отображаемого на дисплее пользовательского экрана.	✓	✓
Соединение	_B	10	Данный функциональный блок "Соединение" (CONNECT) является внутренним функциональным блоком, который служит для отображения памяти, занятой системными битами, битами AS-интерфейса и операционных клавиш. На экране не появляется никакой функциональный блок, и не отображается, как задействованный блок, в диалоговом окне "Конфигурации используемой памяти" ("Memory Configuration Usage"); назначение этого блока состоит только в вычислении объема памяти, которая используется перечисленными выше битами.	✓	✓

Таблица 14.4: Перечень функциональных блоков

Функциональный блок		Объем используемой памяти (Байт)	Описание	AL2-10MR-*	AL2-14MR- AL2-24MR-*
Наименование	Обозначение				
Системные выходные каскады	Out	10	Управление внешними устройствами при помощи реле и транзисторов.	✓	✓

*1 Количество используемых байтов = $19 + 1 \times$ (Количество символов в уравнении)

*2 Количество используемых байтов = $8 + 4 \times$ (Количество реле времени)

*3 Количество используемых байтов определяется отображаемым элементом.

Таблица 14.5: Отображаемые на дисплее позиции и количество используемых байтов

Отображаемые элементы		Количество байтов, контроллер серии α2
Символы		$16 + 1 \times$ (Каждый отображаемый символ)
Аналоговый сигнал, величина в функциональном блоке	Величина	17
	Графика	23
Время, Дата		14
Реле времени		17

*4 Количество используемых байтов = $30 + 1 \times$ (количество символов в уравнении)

*5 Количество используемых байтов = $12 + 1 \times$ (Количество символов в адресе электронной почты)

*6 Количество используемых байтов = $32 + 3 \times$ (Количество окон)

*7 Количество используемых байтов = $37 +$ (Количество символов команд настройки)

Для заметок

15. Диагностика



Предостережение

- Не дотрагивайтесь до контактных клемм, когда оборудование находится под напряжением. Это может вызвать сбой в работе оборудования, или Вы можете получить поражение электрическим током.



Предостережение

- Обеспечьте соответствие номинальных параметров электропитания требованиям. В случае, когда к оборудованию подключается источник электропитания с параметрами, отличными от требуемых номинальных параметров питания, это может привести к выходу данного изделия из строя, или может являться причиной пожара.
- При выполнении электрических соединений с источником электропитания перемен. тока, подсоединяйте, соответствующим образом, фазный провод ("L") линии электропитания к клемме главного блока, имеющей обозначение "L", а нейтральный провод ("N") к клемме главного блока, имеющей обозначение "N". Неправильное выполнение электрических соединений вызовет поражение электрическим током, выход контроллера из строя, или будет причиной пожара.
- Подсоединяйте фазный провод ("L") линии электропитания к входной клемме узла, рассчитанного на работу от источника перемен. тока.
- При выполнении электрических соединений с источником электропитания пост. тока, подсоединяйте "+" полюс источника питания к клемме главного блока, имеющей обозначение "+"; и "-" полюс источника питания – к клемме главного блока, имеющей обозначение "-". Неправильное выполнение электрических соединений вызовет поражение электрическим током, выход контроллера из строя, или будет причиной пожара.



Замечания относительно использования контроллера

- Контроллер серии α2 должен использоваться либо с кассетой памяти, либо с кабелем для обмена данными, либо на нем должна быть установлена крышка соединительного разъема. В противном случае, открытый соединительный разъем-розетка может оказаться причиной выхода контроллера из строя, или причиной поражения оператора электрическим током
- Используйте расширительный модуль или крышку соединительного разъема, когда на контроллер серии α2 подано электропитание. Неправильная инсталляция оборудования может привести к выходу контроллера из строя, или к поражению электрическим током.

15.1 Ошибка состояния по входу

Переведите контроллер серии α2 в режим "Останов" (Stop). Выключайте и повторно включайте электропитание оборудования, подключенного к входным контактным клеммам, и проверьте, правильно ли отображается состояние по входу. Если оно отображается неправильно, выполните проверки в соответствии с пунктами, приведенными ниже.

Дальнейшую информацию относительно отображения состояний можно найти в Руководстве по программированию контроллера серии α2.



Замечания относительно использования контроллера

Не подсоединяйте провода с залуженными концами к контактным клеммам контроллера серии α2, из-за плохого контакта, и возможности того, что провод будет перерезан

- 1) Проверьте электрические соединения с источником электропитания и с входными клеммами.
- 2) Проверьте, соответствует ли оборудование, используемое для выдачи входных сигналов, техническим требованиям, указанным в разделе 2.3 настоящего руководства.

15.2 Ошибка состояния по выходу

Переведите контроллер серии α2 в режим "Останов" (Stop). Переключайте, принудительно, выходные каскады в состояние ВКЛЮЧЕН/ВЫКЛЮЧЕН, и проверяйте работу устройств в выходных цепях. Проверьте, составлена ли программа таким образом, чтобы при ее функционировании был достигнут желаемый результат.

Дальнейшая информация относительно принудительного переключения выходных каскадов в состояние ВКЛЮЧЕН/ВЫКЛЮЧЕН может быть найдена в Руководстве по программированию контроллера серии α2.



Замечания относительно использования контроллера

Выполняйте операции принудительного переключения выходных каскадов в состояние ВКЛЮЧЕН/ВЫКЛЮЧЕН только после тщательной проверки, на предмет того, что это переключение будет безопасно.

В том случае, если принудительное переключение в состояние ВКЛЮЧЕН/ВЫКЛЮЧЕН не выполняется с обеспечением необходимых условий, может произойти выход из строя механизма или контроллера, или может возникнуть угроза опасности. Если не были предприняты соответствующие меры предосторожности, это может привести к выходу из строя оборудования, или к появлению неисправности в механизме.

- 1) Проверьте электрические соединения с источником электропитания и с выходными клеммами.
- 2) Проверьте, соответствует ли оборудование, используемое в выходных цепях, техническим требованиям, указанным в разделе 4.4 настоящего руководства.

15.3 Не отображается ВЕРХНЕЕ МЕНЮ

Для того, чтобы открылся доступ к главному меню, необходимо воспользоваться клавишами меню. Нажмите клавиши "OK" и "ESC" одновременно. Если клавиша вызова меню не установлена, используйте программное обеспечение, предназначенное для программирования для перехода в режим "Останов", или выполните операцию принудительного перевода контроллера в режим "Останов".

К главному меню не имеется доступа при помощи клавиш. Однако, при выключении и повторном включении электропитания, с нажатием клавишей "OK + ESC" одновременно во время включения электропитания, главное меню появится на экране.



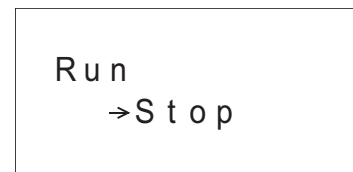
Предостережение

Выполняйте операцию принудительного перевода в режим "Останов" только после проведения тщательной проверки на предмет безопасности выполнения такой операции. В том случае, если принудительное переключение в состояние ВКЛЮЧЕН/ ВЫКЛЮЧЕН не выполняется с обеспечением необходимых условий, может произойти выход из строя механизма или контроллера, или может возникнуть угроза опасности. Если не были предприняты соответствующие меры предосторожности, это может привести к выходу из строя оборудования, или к появлению неисправности в механизме.

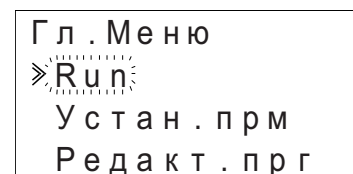
Операция принудительного перевода контроллера в режим "Останов"

- 1) Выключите электропитание контроллера серии α2.
- 2) Вновь включите электропитание, нажав и удерживая в это время клавиши "OK" и "ESC" одновременно. Появится окно, как показано справа.

В течение приблизительно пяти секунд будет иметься возможность перевести контроллер в режим "Останов". Нажмите клавишу "OK", для того, чтобы войти в режим "Останов". Если не будет нажата никакая клавиша, контроллер по умолчанию перейдет обратно в режим "Работа" (Run).



- 3) Нажмите клавишу "ESC". Появится окно "Гл. меню", как показано справа.



15.4 Не имеется возможности войти в режим работы

В том случае, когда контроллер серии α2 не переключается в режим "Работа" (Run), выполните проверки по следующим пунктам.

- 1) На экране отображается сообщение "Input Ошибка" (Ошибка вх.) или "Output Ошибка" (Ошибка вых.).
Программа, записанная в кассете запоминающего устройства, содержит большее количество точек входа и/или выхода, чем это допускается данным контроллером.
 - a) При составлении программы при помощи программного обеспечения, предназначенного для программирования.
Содержимое программы и модель проверяются при помощи программного обеспечения для программирования.
Запишите программу в память контроллера серии α2 и не используйте кассету запоминающего устройства.
 - b) При составлении программы при помощи клавишей, имеющихся на передней панели контроллера серии α2.
Отсоедините кассету запоминающего устройства, и составьте программу заново.
 - c) Инсталлируйте кассету запоминающего устройства в контроллере серии α2, типа, соответствующего 24 точкам.
 - d) Записывайте программу на контроллере серии α2 такого же типа, для которого эта программа будет использоваться.
- 2) В данных программы имеется ошибка.
В том случае, если программа не может отображаться на дисплее при помощи функции "Редакт.прг" в "Гл. меню", имеется вероятность того, что данные в программе были повреждены. Переключите контроллер из "Гл. меню" в режим Run после удаления программы.
 - a) Введите программу заново и переключите контроллер в режим "Работа" (Run).
 - b) В случае, когда не имеется возможности переключить контроллер в режим "РАБОТА", проконсультируйтесь с Дистрибьютором компании "Мицубиси".

15.5 Неправильные данные часов

Подтвердите наличие условий, указанных в следующих пунктах.

- 1) Данные времени утеряны.
В случае, если проходит приблизительно 20 дней, или более (25°C), с момента, когда к контроллеру серии α2 было подключено электропитание, данные времени утрачиваются. В подобном случае необходимо установить заново данные времени. Дальнейшая информация относительно установки данных времени может быть найдена в Руководстве по программированию контроллера серии α2.
- 2) В данных времени наблюдается уход вперед или отставание.
Точность данных времени составляет ±5 секунд в сутки. В том случае, когда ошибка, содержащаяся в данных времени увеличивается, используйте функцию коррекции времени.
Дальнейшая информация относительно задания функции коррекции времени может быть найдена в Руководстве по программированию контроллера серии α2.

15.6 На дисплее появляется знак "?"

Вопросительный знак "?" появляется в случае, когда нажата клавиша, неприемлемая в соответствии с данными, отображаемыми на дисплее. Подтвердите выбор приемлемых вариантов и нажмите соответствующую клавишу.



15.7 Не имеется возможности использовать операционную клавишу

В случае, когда контроллер серии α2 не выполняет операции, задаваемые клавишами, воспользуйтесь следующими процедурами для проверки движения операционных клавиш. Если действия, описанные ниже в инструкциях (1) – (5) смогут быть выполнены, это означает, что клавиши работают надлежащим образом. Пожалуйста, проверьте, используется ли эта клавиша (эти клавиши) в программе.

- 1) Переведите контроллер в режим "Останов". Проконсультируйтесь с Дистрибьютором компании "Мицубиси", если не имеется возможности перевести контроллер в режим "Останов".



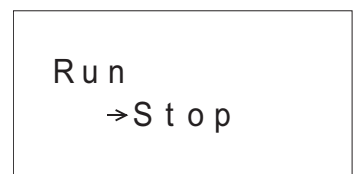
Предостережение

Выполняйте операцию принудительного перевода в режим "Останов" только после проведения тщательной проверки на предмет безопасности выполнения такой операции.

В том случае, если принудительное переключение в состояние ВКЛЮЧЕН/ ВЫКЛЮЧЕН не выполняется с обеспечением необходимых условий, может произойти выход из строя механизма или контроллера, или может возникнуть угроза опасности. Если не были предприняты соответствующие меры предосторожности, это может привести к выходу из строя оборудования, или к появлению неисправности в механизме.

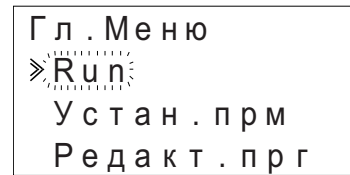
Операция принудительного перевода контроллера в режим "Останов"

- a) Выключите электропитание контроллера серии α2.
- b) Вновь включите электропитание, нажав и удерживая в это время клавиши "OK" и "ESC" одновременно. В течение 5 секунд отображается окно, показанное справа.



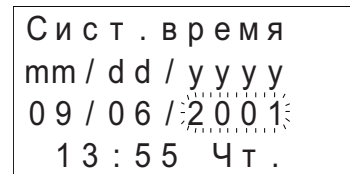
В течение приблизительно пяти секунд будет иметься возможность перевести контроллер в режим "Останов". Нажмите клавишу "OK", для того, чтобы войти в режим "Останов". Если не будет нажата никакая клавиша, контроллер по умолчанию перейдет обратно в режим "Работа" (Run).

- с) Нажмите клавишу "ESC".
Появится окно Верхнего меню, как показано справа.



- 2) Осуществите прокрутку пунктов главного меню при помощи клавиши "▲", или клавиши "▼".
Проконсультируйтесь с дистрибьютором компании "Мицубиси", если не имеется возможности осуществить прокрутку.

- 3) Переведите курсор к пункту "Сист. время" при помощи клавиши "▲", или клавиши "▼", и нажмите клавишу "OK" дважды.

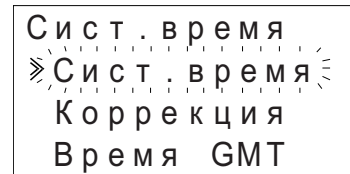


На экране дисплея отобразится окно "Сист. время", как показано справа.

Проконсультируйтесь с дистрибьютором компании "Мицубиси", в случае, если это окно не отображается на дисплее.

- 4) Предпримите попытку изменить данные: месяц/год, при помощи клавиши "◀", клавиши "▶", клавиши "+" и клавиши "-".
Проконсультируйтесь с дистрибьютором компании "Мицубиси", в случае, если редактирование этих данных окажется невозможным.

- 5) Нажмите клавишу "ESC".
Появляется окно, показанное справа, и (4) перестает действовать.



Проконсультируйтесь с дистрибьютором компании "Мицубиси", в случае, если корректное окно не отображается на экране.

15.8 Неправильное отображение на жидкокристаллическом дисплее

Произведите проверки по следующим пунктам.

- 1) Символ выводится на дисплей в обращенном виде, а весь экран является черным.
Проконсультируйтесь с дистрибьютором компании "Мицубиси", в случае, если имеет место описанная выше ошибка. Поврежден дисплей контроллера серии α2.
- 2) На дисплей выводится неожиданная компоновка окна.
Если изображение на дисплее имеет неожиданный вид, пожалуйста, выполните проверку следующих пунктов программы.
 - a) Настройте положение, которое занимает начало каждой функции, выводимой на дисплей. Может оказаться, что для двух отдельных изображений имеется область, где они накладываются друг на друга, что и вызывает нежелательный результат.
 - b) Символ не выводится на дисплей
 - Проверьте, имеется ли состояние ВКЛЮЧЕН на входном штырьке функционального блока дисплея.
 - Проверьте, не имеется ли конфликтной ситуации между этим изображением, и еще одним изображением дисплея.

15.9 Кассета памяти функционирует некорректно

В случае, когда кассета запоминающего устройства не распознается, или когда не действуют функции передачи данных кассеты, выполните проверку в соответствии со следующими пунктами.



Замечания относительно использования контроллера

- Используйте кассету запоминающего устройства, телекоммуникационный кабель, или крышку соединительного разъема, когда на контроллер серии α2 подано электропитание.

Неправильная установка оборудования может привести к выходу контроллера из строя, или к поражению электрическим током.

- 1) Необходимо корректно установить кассету запоминающего устройства, обратитесь к разделу 6.1, где приведено описание надлежащей процедуры установки кассеты.
- 2) На дисплее отображается сообщение "Защита Ошибка" (Ошибка защиты). Это означает, что установлена защита данных (Защита). Обратитесь к Руководству по программированию контроллеров серии α2, где описана процедура разблокирования установленной защиты.
- 3) На дисплее отображается сообщение "Пароль Ошибка" (Ошиб. пароль). Это означает, что был установлен пароль. Повторите попытку после отмены действия пароля. Обратитесь к Руководству по программированию контроллеров серии α2, где описана процедура отмены действия пароля.

Опция меню "Удален.прг" в состоянии удалить пароль, программу, а также значения всех параметров, установленные в главном меню. В контроллере произойдет возврат ко всем заданным по умолчанию параметрам, установленным на заводе-изготовителе.

Обратитесь к Руководству по программированию контроллеров серии α2, где описана процедура использования операции "Удален.прг".

15.10 Не имеется возможности общения с главным модулем AS-интерфейса

Выполните проверку в соответствии со следующими пунктами.



Замечания относительно использования контроллера

- Используйте расширительную плату, или крышку соединительного разъема, когда на контроллер серии α2 подано электропитание.
Неправильная установка оборудования может привести к выходу контроллера из строя, или к поражению электрическим током.
- 1) Проверьте, обеспечивается ли необходимое электропитание AS-интерфейса.
 - 2) Проверьте, находится ли бит управления N1 в состоянии ВЫКЛЮЧЕН. В случае, если имеется необходимость изменить его состояние, используйте один из двух методов, описанных ниже.
 - a) В случае, когда он не используется в программе.
Принудительно установите состояние ВЫКЛЮЧЕН; обратитесь к Руководству по программированию контроллеров серии α2, где описана процедура принудительного переключения состояний ВКЛЮЧЕН/ВЫКЛЮЧЕН.
 - b) В случае, когда он используется программой.
Измените программу, либо произведите манипуляции со сходами, таким образом, чтобы управляющий бит N1 перешел в состояние ВЫКЛЮЧЕН.
 - 3) Проверьте правильность установленного адреса управляемого устройства.
Установите адрес управляемого устройства с главного модуля AS-интерфейса.
Обратитесь к разделу 9.4.1 руководства и к описанию главного модуля AS-интерфейса, где представлен метод задания адреса.
 - a) Произошло наложение адреса еще одного управляемого узла и адреса платы AL2-ASI-BD.
Установите адрес таким образом, чтобы не имелось конфликтной ситуации.
 - b) Адрес управляемого узла 0.
Установите корректный адрес управляемого узла с главного модуля AS-интерфейса.
 - 4) Плата AL2-ASI-BD не является действующим управляемым узлом на стороне главного модуля.
Проверьте установленные параметры в главном модуле.
Обратитесь к руководству по работе с главным модулем AS-интерфейса, где описан метод квитирования.

15.11 Не имеется возможности общения с AL-PCS/WIN-E

Выполните проверку в соответствии со следующими пунктами.



Замечания относительно использования контроллера

Обязательно используйте кассету запоминающего устройства и коммуникационный кабель, или крышку соединительного разъема, когда контроллер инсталлирован на месте эксплуатации.

Имеется опасность поражения электрическим током, или повреждения контроллера.

- 1) Проверьте подключение кабеля (AL-232CAB).
Обратитесь к разделу 7.2, где описан метод подключения.
- 2) Проверьте, подается ли электропитание от источника в контроллер серии α2.
Обратитесь к разделу 4, где описано выполнение электрических соединений с источником питания.
Кроме того, обратитесь к разделу 2.2, где указаны необходимые технические характеристики источника электропитания.
- 3) Проверьте, имеется ли соответствие между конфигурацией порта обмена данными (COM – порт) персонального компьютера, к которому подключен кабель (AL-232CAB), и конфигурацией "порта обмена данными", установленного программным обеспечением для программирования. В случае, если соответствие отсутствует, обеспечьте его.
- 4) В случае, когда техническое обслуживание производится дистанционно при помощи модема
 - a) Проверьте, правильно ли задана конфигурация модема, подключенного на стороне контроллера серии α2.
Обратитесь к Руководству по программированию контроллеров серии α2, и к разделу 7.3, где описана установка параметров модема, подключенного на стороне контроллера серии α2.
 - b) Проверьте подключение кабеля, выполненное заказчиком.
По вопросу подключения кабеля, обратитесь к разделу 7.3.2.
 - c) Проверьте установку параметров модема на стороне программного обеспечения для программирования.
Проверьте, корректно ли инсталлирован диск для задания конфигурации подключения модема.

Для заметок

MITSUBISHI ELECTRIC CORPORATION

HEAD OFFICE : TOKYO BUILDING, 2-7-3 MARUNOUCHI, CHIYODA-KU, TOKYO 100-8310, JAPAN
