

CONTROL 
TECHNIQUES



MCz201 & MCz601

MAKING MACHINE CONTROLLING EFFORTLESS
INDUSTRIAL PC, INDUSTRIAL CONTROL

NEW

DRIVE OBSESSED

Benefits

Fast machine development due to integration of logic, motion and visualisation

The Control Techniques solution provides an environment for programming controllers in all key programming languages with seamless support for the generation of visualisations.

Ease of use open standards

The use of standard CODESYS provides ease-of-use. This package is supported by the majority of automation vendors, and most automation engineers are trained to use it.

Maximum choice for component integration due to PC based architecture

PC based architecture, including the Windows 10™ operating system, allows for the easy integration of third party components. This provides machine builders flexibility to choose best-in-class components for all applications.

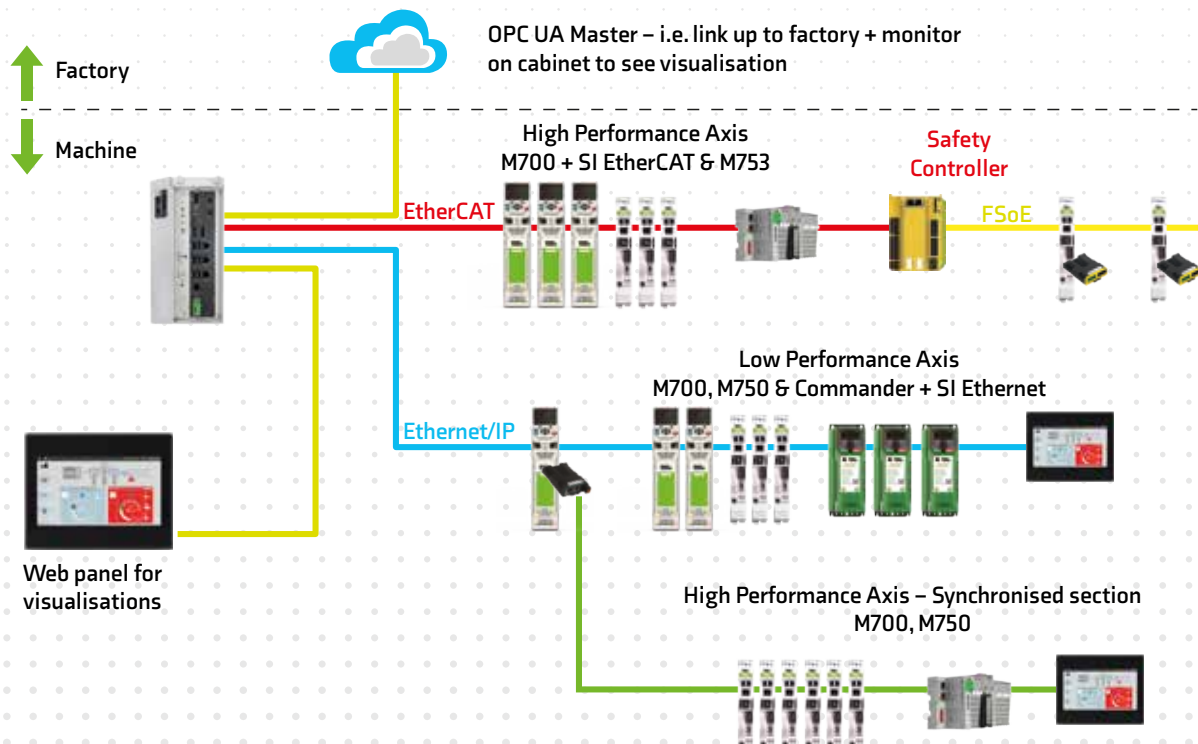
Simple application integration due to standard onboard interfaces

Standard onboard interfaces including four Ethernet ports and up to six USB ports, mean that the Industrial PC Machine Controller can be easily integrated with any application or machine.

Robustness due to rugged design

The Industrial PC Machine Controller does not contain rotating fans and is designed to operate in elevated temperatures. This increases reliability and reduces the need for maintenance, even in dusty environments.

Application example:



Specifications

Description	MCz201	MCz601
CPU	8th/9th Generation Intel® processor via COM Express® type 6: Celeron® G4930E 2x 2.4 GHz, 2 MByte cache	8th/9th Generation Intel® processor via COM Express® type 6: Core™ i7-9850HE: 6x 2.7 GHz, 9 MByte cache
Ethernet ports	4x 10/100/1000 MBit/s Ethernet with IEEE1588 support, WOL	4x 10/100/1000 MBit/s Ethernet with IEEE1588 support, WOL
USB ports	3x USB 3.0, 3x USB 2.0	3x USB 3.0, 3x USB 2.0
485/232 ports	1x RS232/RS422/RS485, 2nd COM port optional via adapter module	1x RS232/RS422/RS485, 2nd COM port optional via adapter module
24V	24 VDC (17-36 VDC), up to 20 ms hold-up 2nd 24 VDC power input optional via adapter module	24 VDC (17-36 VDC), up to 20 ms hold-up 2nd 24 VDC power input optional via adapter module
Temp range	0°C to +65°C (32°F to 149°F)	0°C to +60°C (32°F to 140°F)
RAM	Memory 4GB RAM	Memory 4GB RAM
SSD	SSD 128GB 2.5"	SSD 128GB 2.5"
NVRAM	NVRAM mPCIe with 1MB MRAM	NVRAM mPCIe with 1MB MRAM
Video ports	2x DisplayPort, optional 3rd	2x DisplayPort, optional 3rd
OS	Windows 10™	Windows 10™
CODESYS V3.5 SPI6 Licences	<ul style="list-style-type: none"> Softmotion Web Visu Target Visu 	<ul style="list-style-type: none"> Softmotion Web Visu Target Visu

Communications Ports	
Ethernet ports for automation protocols (EtherCAT)	3
Standard Ethernet port	1
USB 3.0 ports	3
USB 2.0 Ports	3
Display ports	2
Serial communications RS232/422/485	1

Communications Protocols	
EtherCAT Master	Yes
EtherNet/IP Adapter	Yes
EtherNet/IP Scanner	Yes
Modbus TCP/IP Server	Yes
Modbus TCP/IP Client	Yes
PROFINET Device	Yes
OPC UA Server	Yes
Modbus RTU	Yes

Ordering Guide

MCz	Order Code
MCz201	MCz201-100W10G004G128G00
MCz601	MCz601-100W10G004G128G00

Supported by our Remote I/Os & HMI Panels:



Approved Control Techniques Distributor:

