

Operating instructions Compax3 I10T10

# Step/Direction and Analog Command Input



Release as from R09-63

192-120100N17  
C3I10T10  
September 2014

Windows NT®, Windows 2000™, Windows XP™, Windows Vista, Windows 7 are trademarks of Microsoft Corporation.

## Nonwarranty clause

We checked the contents of this publication for compliance with the associated hard and software. We can, however, not exclude discrepancies and do therefore not accept any liability for the exact compliance. The information in this publication is regularly checked, necessary corrections will be part of the subsequent publications.

## Production site:



Parker Hannifin Manufacturing Germany GmbH & Co. KG  
 Electromechanical Automation Europe [EME]  
 Robert-Bosch-Strasse 22  
 77656 Offenburg (Germany)  
 Tel.: + 49 (0781) 509-0  
 Fax: + 49 (0781) 509-98176  
 Internet: [www.parker.com/eme](http://www.parker.com/eme) <http://www.parker.com/eme>  
 E-mail: [sales.automation@parker.com](mailto:sales.automation@parker.com) <mailto:EM-Motion@parker.com>

Parker Hannifin GmbH - registered office: Bielefeld HRB 35489  
 Management Board: Ellen Raahede Secher, Dr.-Ing. Hans-Jürgen Haas, Günter Schrank, Kees Veraart - Chairman of the board of directors: Hansgeorg Greuner

**Italy:** Parker Hannifin Manufacturing Srl • SSD SBC • Electromechanical Automation •  
 Via Gounod, 1  
 I-20092 Cinisello Balsamo (MI), Italy  
 Tel.: +39 (0)2 361081 • Fax: +39 (0)2 36108400  
 E-mail: [sales.automation@parker.com](mailto:sales.automation@parker.com) <mailto:sales.sbc@parker.com> •  
 Internet: [www.parker.com/eme](http://www.parker.com/eme) <http://www.parker.com/eme>

**USA:** Parker Hannifin Corporation • Electromechanical Automation  
 5500 Business Park Drive • Rohnert Park, CA 94928  
 Phone #: (800) 358-9068 • FAX #: (707) 584-3715  
 E-mail: [CMR\\_help@parker.com](mailto:CMR_help@parker.com) [mailto:emn\\_support@parker.com](mailto:emn_support@parker.com) • Internet:  
[www.compumotor.com](http://www.compumotor.com) <http://www.compumotor.com>

## NOTICE

### *Status of the Manuals:*

Help and PDFs are updated simultaneously. In case of doubt the HTML help shows the actual state in comparison to PDF edition.  
 For additional HTML help please refer to our website. **Analogue & step / direction**  
[http://www.Parker.com/Literature/Electromechanical Europe/user guides/C3110T10.chm](http://www.Parker.com/Literature/Electromechanical%20Europe/user%20guides/C3110T10.chm)

# Inhalt

<b>1. Introduction .....</b>	<b>9</b>
1.1 Device assignment .....	9
1.2 Scope of delivery .....	9
1.3 Type specification plate .....	11
1.4 Packaging, transport, storage .....	12
1.5 Safety instructions.....	13
1.5.1. General hazards.....	13
1.5.2. Safety-conscious working .....	13
1.5.3. Special safety instructions .....	14
1.6 Warranty conditions .....	15
1.7 Conditions of utilization .....	16
1.7.1. Conditions of utilization for CE-conform operation.....	16
1.7.1.1 Conditions of utilization mains filter .....	16
1.7.1.2 Conditions of utilization for cables / motor filter .....	17
1.7.1.3 Additional conditions of utilization .....	18
1.7.2. Conditions of utilization for UL certification Compax3S.....	19
1.7.3. Conditions of utilization for UL approval Compax3M.....	20
1.7.4. Conditions of utilization for UL approval PSUP .....	21
1.7.5. Conditions of utilization for UL certification Compax3H.....	22
1.7.6. Current on the mains PE (leakage current).....	23
1.7.7. Supply networks .....	23
<b>2. Compax3 with analogue and step/direction input .....</b>	<b>24</b>
<b>3. Compax3 device description .....</b>	<b>26</b>
3.1 Meaning of the status LEDs - Compax3 axis controller .....	26
3.2 Meaning of the status LEDs - PSUP (mains module).....	27
3.3 Connections of Compax3S .....	28
3.3.1. Compax3S connectors.....	28
3.3.2. Connector and pin assignment C3S.....	29
3.3.3. Control voltage 24VDC / enable connector X4 C3S .....	31
3.3.4. Motor / Motor brake C3S connector X3 .....	32
3.3.5. Compax3Sxxx V2.....	33
3.3.5.1 Main voltage supply C3S connector X1 .....	33
3.3.5.2 Braking resistor / high voltage DC C3S connector X2 .....	34
3.3.6. Compax3Sxxx V4.....	35
3.3.6.1 Power supply connector X1 for 3AC 400VAC/480VAC-C3S devices .....	35
3.3.6.2 Braking resistor / high voltage supply connector X2 for 3AC 400VAC/480VAC_C3S devices.....	36
3.3.6.3 Connection of the power voltage of 2 C3S 3AC devices.....	36
3.4 Installation instructions Compax3M .....	37
3.5 PSUP/Compax3M Connections .....	39
3.5.1. Front connector .....	39
3.5.2. Connections on the device bottom.....	40
3.5.3. Connections of the axis combination.....	41
3.5.4. Control voltage 24VDC PSUP (mains module) .....	42
3.5.5. Mains supply PSUP (mains module) X41 .....	43
3.5.6. Braking resistor / temperature switch PSUP (mains module) .....	45

3.5.6.1	Temperature switch PSUP (mains module).....	46
<b>3.5.7.</b>	<b>Motor / motor brake Compax3M (axis controller) .....</b>	<b>47</b>
3.5.7.1	Measurement of the motor temperature of Compax3M (axis controller) .....	48
<b>3.5.8.</b>	<b>X14 Safety technology option S1 for Compax3M (axis controller).....</b>	<b>48</b>
<b>3.5.9.</b>	<b>Safety technology option S3 for Compax3M (axis controller) .....</b>	<b>48</b>
<b>3.6</b>	<b>Connections of Compax3H .....</b>	<b>49</b>
3.6.1.	Compax3H plugs/connections .....	49
3.6.2.	Connection of the power voltage .....	50
3.6.3.	Compax3H connections front plate .....	51
3.6.4.	Plug and pin assignment C3H .....	52
3.6.5.	Motor / Motor brake C3H .....	54
3.6.6.	Control voltage 24 VDC C3H.....	55
3.6.7.	Mains connection Compax3H.....	55
3.6.8.	Braking resistor / supply voltage C3H.....	56
3.6.8.1	Connect braking resistor C3H.....	56
3.6.8.2	Power supply voltage DC C3H .....	56
3.6.8.3	Connection of the power voltage of 2 C3H 3AC devices.....	56
<b>3.7</b>	<b>Communication interfaces .....</b>	<b>57</b>
3.7.1.	RS232 / RS485 interface (plug X10) .....	57
3.7.2.	Communication Compax3M .....	58
3.7.2.1	PC - PSUP (Mains module) .....	58
3.7.2.2	Communication in the axis combination (connector X30, X31).....	58
3.7.2.3	Adjusting the basic address .....	59
3.7.2.4	Setting the axis function.....	59
<b>3.8</b>	<b>Signal interfaces .....</b>	<b>60</b>
3.8.1.	Resolver / Feedback (connector X13).....	60
3.8.2.	Analogue / encoder (plug X11) .....	62
3.8.2.1	Wiring of analog interfaces .....	62
3.8.2.2	Connections of the encoder interface .....	62
3.8.3.	Digital inputs/outputs (plug X12) .....	63
3.8.3.1	Connection of the digital Outputs/Inputs.....	63
3.8.3.2	Logic proximity switch types .....	64
3.8.3.3	Energize motor X12/6="24VDC" .....	64
3.8.3.4	Command value release X12/7="24VDC" .....	65
<b>3.9</b>	<b>Mounting and dimensions.....</b>	<b>66</b>
3.9.1.	Mounting and dimensions Compax3S .....	66
3.9.1.1	Mounting and dimensions Compax3S0xxV2 .....	66
3.9.1.2	Mounting and dimensions Compax3S100V2 and S0xxV4 .....	67
3.9.1.3	Mounting and dimensions Compax3S150V2 and S150V4.....	68
3.9.1.4	Mounting and dimensions Compax3S300V4.....	69
3.9.2.	Mounting and dimensions PSUP/C3M.....	70
3.9.2.1	Mounting and dimensions PSUP10/C3M050D6, C3M100D6, C3M150D6 .....	70
3.9.2.2	Mounting and dimensions PSUP20/PSUP30/C3M300D6.....	71
3.9.2.3	With upper mounting, the housing design may be different .....	71
3.9.3.	Mounting and dimensions C3H.....	72
3.9.3.1	Mounting distances, air currents Compax3H050V4 .....	73
3.9.3.2	Mounting distances, air currents Compax3H090V4 .....	73
3.9.3.3	Mounting distances, air currents Compax3H1xxV4.....	74
<b>3.10</b>	<b>Safety function - STO (=safe torque off) .....</b>	<b>75</b>
3.10.1.	General Description.....	75
3.10.1.1	Important terms and explanations .....	75
3.10.1.2	Intended use .....	76
3.10.1.3	Advantages of using the "safe torque off" safety function. ....	76



3.10.1.4	Devices with the STO (=safe torque off) safety function .....	77
<b>3.10.2.</b>	<b>STO (= safe torque off) with Compax3S .....</b>	<b>78</b>
3.10.2.1	STO Principle (= Safe Torque Off) with Compax3S .....	78
3.10.2.2	Conditions of utilization STO (=safe torque off) Safety function .....	80
3.10.2.3	Notes on the STO function.....	80
3.10.2.4	STO application example (= safe torque off) .....	81
3.10.2.5	Technical Characteristics STO Compax3S .....	84
<b>3.10.3.</b>	<b>STO (= safe torque off) with Compax3m (Option S1).....</b>	<b>85</b>
3.10.3.1	Safety switching circuits.....	85
3.10.3.2	Safety notes for the STO function in the Compax3M .....	86
3.10.3.3	Conditions of utilization for the STO function with Compax3M.....	86
3.10.3.4	STO delay times .....	87
3.10.3.5	Compax3M STO application description .....	88
3.10.3.6	STO function test .....	91
3.10.3.7	Technical details of the Compax3M S1 option .....	93
<b>4.</b>	<b>Setting up Compax3.....</b>	<b>94</b>
<b>4.1</b>	<b>Configuration .....</b>	<b>94</b>
4.1.1.	Selection of the supply voltage used .....	95
4.1.2.	Motor selection .....	95
4.1.3.	Optimize motor reference point and switching frequency of the motor current .....	96
4.1.4.	Ballast resistor .....	99
4.1.5.	General drive .....	99
4.1.6.	Command interface .....	100
4.1.6.1	±10V analogue speed setpoint commanding and encoder emulation.....	100
4.1.6.2	Step/Direction Input 24V .....	101
4.1.6.3	Step/Direction Input RS422 .....	101
4.1.6.4	Step/Direction Input 24V .....	102
4.1.6.5	Encoder input RS422 .....	102
4.1.6.6	Encoder input 24V .....	103
4.1.6.7	±10V analog current setpoint commanding and encoder emulation.....	103
4.1.7.	Setpoint control .....	104
4.1.8.	Limit and monitoring settings .....	105
4.1.8.1	Nominal value window .....	105
4.1.8.2	Current (Torque) Limit.....	106
4.1.8.3	Maximum operating speed.....	106
4.1.8.4	Debouncing input I0 .....	106
4.1.8.5	Error response .....	106
4.1.9.	Configuration name / comments.....	107
<b>4.2</b>	<b>Test commissioning: Compax3 S0xx V2 I10 .....</b>	<b>108</b>
4.2.1.	Analog command interface +/-10V with encoder simulation .....	109
4.2.2.	Step/Direction Input RS422.....	109
4.2.3.	Encoder input RS422.....	109
4.2.4.	Encoder input 24V .....	110
<b>4.3</b>	<b>Device states .....</b>	<b>111</b>
<b>4.4</b>	<b>Optimization .....</b>	<b>113</b>
4.4.1.	Optimization window .....	113
4.4.2.	Scope .....	114
4.4.2.1	Monitor information .....	114
4.4.2.2	User interface.....	115
4.4.2.3	Example: Setting the Oscilloscope .....	119
4.4.3.	Load identification .....	121
4.4.3.1	Principle .....	121

4.4.3.2	Boundary conditions .....	121
4.4.3.3	Process of the automatic determination of the load characteristic value (load identification) .....	122
4.4.3.4	Tips .....	123
<b>4.4.4.</b>	<b>Controller Tuning.....</b>	<b>124</b>
4.4.4.1	Velocity loop stiffness .....	125
4.4.4.2	Velocity loop damping.....	125
4.4.4.3	Filter - Actual velocity.....	126
4.4.4.4	Advanced control parameters .....	126
<b>4.4.5.</b>	<b>Input simulation .....</b>	<b>132</b>
4.4.5.1	Calling up the input simulation .....	132
4.4.5.2	Operating Principle .....	132
<b>4.4.6.</b>	<b>Setup mode .....</b>	<b>133</b>
<b>4.4.7.</b>	<b>Alignment of the analog inputs.....</b>	<b>133</b>
4.4.7.1	Offset alignment.....	134
4.4.7.2	Gain alignment.....	134
<b>4.4.8.</b>	<b>Turning the motor holding brake on and off.....</b>	<b>135</b>
<b>5.</b>	<b>Communication .....</b>	<b>136</b>
<b>5.1</b>	<b>Compax3 communication variants.....</b>	<b>136</b>
5.1.1.	PC <-> Compax3 (RS232).....	136
5.1.2.	PC <-> Compax3 (RS485).....	138
5.1.3.	PC <-> C3M device combination (USB) .....	139
5.1.4.	USB-RS485 Moxa Uport 1130 adapter .....	140
5.1.5.	ETHERNET-RS485 NetCOM 113 adapter.....	141
5.1.6.	Modem MB-Connectline MDH 500 / MDH 504 .....	142
5.1.7.	C3 settings for RS485 two wire operation.....	143
5.1.8.	C3 settings for RS485 four wire operation .....	144
<b>5.2</b>	<b>COM port protocol .....</b>	<b>145</b>
5.2.1.	RS485 settings values.....	145
5.2.2.	ASCII - record .....	145
5.2.3.	Binary record .....	146
<b>5.3</b>	<b>Remote diagnosis via Modem.....</b>	<b>150</b>
5.3.1.	Structure .....	150
5.3.2.	Configuration of local modem 1 .....	151
5.3.3.	Configuration of remote modem 2 .....	152
5.3.4.	Recommendations for preparing the modem operation .....	152
<b>6.</b>	<b>Status values .....</b>	<b>153</b>
<b>6.1</b>	<b>D/A-Monitor .....</b>	<b>153</b>
<b>7.</b>	<b>Error .....</b>	<b>154</b>
<b>8.</b>	<b>Order code .....</b>	<b>155</b>
<b>8.1</b>	<b>Order code device: Compax3 .....</b>	<b>156</b>
<b>8.2</b>	<b>Order code for mains module: PSUP .....</b>	<b>157</b>
<b>8.3</b>	<b>Order code for accessories.....</b>	<b>157</b>
8.3.1.	Order code for feedback cables .....	158
8.3.2.	Order Code braking resistors.....	158
8.3.3.	Order code mains filter (C3S).....	159
8.3.4.	Order code capacitor module.....	159
8.3.5.	Interface cable order code .....	160
8.3.6.	Order Code input/output terminals (PIO) .....	160
8.3.7.	Order note.....	161

<b>9.</b>	<b>Compax3 Accessories .....</b>	<b>162</b>
<b>9.1</b>	<b>Parker servo motors .....</b>	<b>162</b>
9.1.1.	<b>Direct drives .....</b>	<b>162</b>
9.1.1.1	Transmitter systems for direct drives .....	163
9.1.1.2	Linear motors .....	164
9.1.1.3	Torque motors.....	164
9.1.2.	<b>Rotary servo motors.....</b>	<b>164</b>
<b>9.2</b>	<b>EMC measures .....</b>	<b>165</b>
9.2.1.	<b>Mains filter .....</b>	<b>165</b>
9.2.1.1	Mains filter NFI01/01 .....	166
9.2.1.2	Mains filter NFI01/02.....	166
9.2.1.3	Mains filter for NFI01/03.....	167
9.2.1.4	Mains filter NFI02/0x .....	167
9.2.1.5	Mains filter NFI03/01& NFI03/03 .....	168
9.2.1.6	Mains filter NFI03/02.....	169
9.2.2.	<b>Motor output filter.....</b>	<b>170</b>
9.2.2.1	Motor output filter MDR01/04.....	170
9.2.2.2	Motor output filter MDR01/01.....	170
9.2.2.3	Motor output filter MDR01/02.....	171
9.2.2.4	Wiring of the motor output filter.....	171
9.2.3.	<b>Mains chokes .....</b>	<b>172</b>
9.2.3.1	Mains filter for PSUP30.....	172
<b>9.3</b>	<b>Connections to the motor .....</b>	<b>173</b>
9.3.1.	<b>Resolver cable .....</b>	<b>174</b>
9.3.2.	<b>SinCos© cable.....</b>	<b>175</b>
9.3.3.	<b>EnDat cable .....</b>	<b>175</b>
9.3.4.	<b>Motor cable.....</b>	<b>176</b>
9.3.4.1	Connection of terminal box MH145 & MH205 .....	176
9.3.5.	<b>Encoder cable .....</b>	<b>177</b>
<b>9.4</b>	<b>External braking resistors.....</b>	<b>178</b>
9.4.1.	<b>Permissible braking pulse powers of the braking resistors .....</b>	<b>179</b>
9.4.1.1	Calculation of the BRM cooling time.....	179
9.4.1.2	Permissible braking pulse power: BRM08/01 with C3S015V4 / C3S038V4.....	180
9.4.1.3	Permissible braking pulse power: BRM08/01 with C3S025V2 .....	181
9.4.1.4	Permissible braking pulse power: BRM09/01 with C3S100V2 .....	181
9.4.1.5	Permissible braking pulse power: BRM10/01 with C3S150V4 .....	182
9.4.1.6	Permissible braking pulse power: BRM10/02 with C3S150V4 .....	182
9.4.1.7	Permissible braking pulse power: BRM05/01 with C3S063V2 .....	183
9.4.1.8	Permissible braking pulse power: BRM05/01 with C3S075V4 .....	183
9.4.1.9	Permissible braking pulse power: BRM05/02 with C3S075V4 .....	184
9.4.1.10	Permissible braking pulse power: BRM04/01 with C3S150V2 .....	184
9.4.1.11	Permissible braking pulse power: BRM04/01 with C3S300V4 .....	185
9.4.1.12	Permissible braking pulse power: BRM04/02 with C3S150V2 .....	185
9.4.1.13	Permissible braking pulse power: BRM04/02 with C3S300V4 .....	186
9.4.1.14	Permissible braking pulse power: BRM04/03 with C3S300V4 .....	186
9.4.1.15	Permissible braking pulse power: BRM11/01 with C3H0xxV4 .....	187
9.4.1.16	Permissible braking pulse power: BRM12/01 with C3H1xxV4 .....	187
9.4.1.17	Permissible braking pulse power: BRM13/01 with PSUP10D6 .....	188
9.4.1.18	Permissible braking pulse power: BRM14/01 with PSUP10D6 .....	188
9.4.2.	<b>Dimensions of the braking resistors .....</b>	<b>188</b>
9.4.2.1	BRM8/01braking resistors.....	188
9.4.2.2	BRM5/01 braking resistor .....	188
9.4.2.3	Braking resistor BRM5/02, BRM9/01 & BRM10/01 .....	189
9.4.2.4	Braking resistor BRM4/0x and BRM10/02.....	189

9.4.2.5	Braking resistor BRM11/01 & BRM12/01 .....	190
9.4.2.6	Ballast resistor BRM13/01 & BRM14/01 .....	190
<b>9.5</b>	<b>Capacitor module C4 .....</b>	<b>191</b>
<b>9.6</b>	<b>Operator control module BDM .....</b>	<b>192</b>
<b>9.7</b>	<b>EAM06: terminal block for inputs and outputs .....</b>	<b>192</b>
<b>9.8</b>	<b>Interface cable .....</b>	<b>195</b>
9.8.1.	RS232 - cable / SSK1 .....	195
9.8.2.	RS485 cable to Pop / SSK27 .....	196
9.8.3.	I/O-interface X12 / X22 / SSK22 .....	197
9.8.4.	Ref X11 / SSK21 .....	197
9.8.5.	Encoder coupling of 2 Compax3 axes / SSK29 .....	198
9.8.6.	Modem cable SSK31 .....	199
9.8.7.	Adapter cable SSK32/20 .....	199
<b>10.</b>	<b>Technical Data .....</b>	<b>200</b>
<b>11.</b>	<b>Index .....</b>	<b>216</b>

# 1. Introduction

## In this chapter you can read about:

Device assignment .....	9
Scope of delivery .....	9
Type specification plate .....	11
Packaging, transport, storage .....	12
Safety instructions .....	13
Warranty conditions .....	15
Conditions of utilization .....	16

## 1.1 Device assignment

### **This manual is valid for the following devices:**

- ◆ Compax3S025V2 + supplement
- ◆ Compax3S063V2 + supplement
- ◆ Compax3S100V2 + supplement
- ◆ Compax3S150V2 + supplement
- ◆ Compax3S015V4 + supplement
- ◆ Compax3S038V4 + supplement
- ◆ Compax3S075V4 + supplement
- ◆ Compax3S150V4 + supplement
- ◆ Compax3S300V4 + supplement
- ◆ Compax3H050V4 + supplement
- ◆ Compax3H090V4 + supplement
- ◆ Compax3H125V4 + supplement
- ◆ Compax3H155V4 + supplement
- ◆ Compax3M050D6 + supplement - Safety Option S1
- ◆ Compax3M100D6 + supplement - Safety Option S1
- ◆ Compax3M150D6 + supplement - Safety Option S1
- ◆ Compax3M300D6 + supplement - Safety Option S1
- ◆ PSUP10D6
- ◆ PSUP20D6
- ◆ PSUP30D6

### **With the supplement:**

- ◆ F10 (Resolver)
- ◆ F11 (SinCos®)
- ◆ F12 (linear and rotary direct drives)
- ◆ I10 T10

## 1.2 Scope of delivery

### **The following items are furnished with the device:**

- ◆ Manuals\*
  - ◆ Installation manual (German, English, French)
  - ◆ Compax3 DVD
  - ◆ Startup Guide (German / English)

\*Comprehensiveness of documentation depends on device type

- ◆ Device accessories
  - Device accessories for Compax3S
    - ◆ Cable clamps in different sizes for large area shielding of the motor cable, the screw for the cable clamp as well as
    - ◆ the mating plug connectors for the Compax3S plug connectors X1, X2, X3, and X4
    - ◆ a toroidal core ferrite for one cable of the motor holding brake
    - ◆ Lacing cord
  - ◆ Device accessories for Compax3M
    - ◆ Cable clamps in different sizes for large area shielding of the motor cable, the screw for the cable clamp as well as
    - ◆ the matching plug for the Compax3M connectors X14, X15, X43
    - ◆ a toroidal core ferrite for a cable of the motor holding brake
    - ◆ an interface cable (SSK28/23) for communication within the axis combination
    - ◆ With safety option S3: Mating plugs X28 and connection cable X26 / X27
  - ◆ Device accessories for PSUP
    - ◆ Matching plug for the PSUP connectors X9, X40, X41
    - ◆ 2 bus terminal connectors (BUS07/01) for mains module and the last axis controller in the combination
  - ◆ Device accessories for Compax3H
    - ◆ Mating connector for X3 and X4
    - ◆ SSK32/20: RS232 adapter cable (programming port C3HxxxV4 - SSK1 - PC)
    - ◆ VBK17/01: SubD jumper mounted

### 1.3 Type specification plate

Compax3 - Type specification plate (example):

The present device type is defined by the type specification plate (on the housing):



**Explanation:**

1	Type designation: The complete order designation of the device (2, 5, 6, 9, 8).
2	<b>C3:</b> Abbreviation for Compax3
	<b>S025:</b> Single axis device, nominal device current in 100mA (025=2.5A) <b>M050:</b> Multi-axis device, nominal device current in 100mA (050=5A) <b>H050:</b> High power device, nominal device current in 1A (050=50A)
3	<b>D6:</b> Designation nominal supply <b>V2:</b> Mains supply voltage (2=230VAC/240VAC, 4=400VAC/480VAC)
	Unique number of the particular device
4	Nominal supply voltage Power Input: Input supply data Power Output: Output data
5	Designation of the feedback system <b>F10:</b> Resolver <b>F11:</b> SinCos® / Single- or Multiturn <b>F12:</b> Feedback module for direct drives
6	Device interface <b>I10:</b> Analog, step/direction and encoder input <b>I11 / I12:</b> Digital Inputs / Outputs and RS232 / RS485 <b>I20:</b> Profibus DP / <b>I21:</b> CANopen / <b>I22:</b> DeviceNet / <b>I30:</b> Ethernet Powerlink / <b>I31:</b> EtherCAT / <b>I32:</b> Profinet <b>C20:</b> integrated controller C3 <i>powerPLmC</i> , Linux & Web server
7	Date of factory test
8	Options <b>Mxx:</b> I/O extension, HEDA <b>Sx:</b> optional safety technology on C3M
9	Technology function <b>T10:</b> Servo controller <b>T11:</b> Positioning <b>T20:</b> Pressure / Volume flow rate <b>T30:</b> Motion control in accordance with IEC61131-3 <b>T40:</b> Electronic cam
10	CE compliance
11	Certified safety technology (corresponding to the logo displayed)
12	UL certified (corresponding to the logo displayed)

## 1.4 Packaging, transport, storage

### Packaging material and transport



#### Caution!

The packaging material is inflammable, if it is disposed of improperly by burning, lethal fumes may develop.

The packaging material must be kept and reused in the case of a return shipment. Improper or faulty packaging may lead to transport damages.

Make sure to transport the drive always in a safe manner and with the aid of suitable lifting equipment (**Weight** (see on page 200, see on page 211)). Do never use the electric connections for lifting. Before the transport, a clean, level surface should be prepared to place the device on. The electric connections may not be damaged when placing the device.

### First device checkup

- ◆ Check the device for signs of transport damages.
- ◆ Please verify, if the indications on the **Type identification plate** (see on page 11) correspond to your requirements.
- ◆ Check if the consignment is complete.

### Disposal

This product contains materials that fall under the special disposal regulation from 1996, which corresponds to the EC directory 91/689/EEC for dangerous disposal material. We recommend to dispose of the respective materials in accordance with the respectively valid environmental laws. The following table states the materials suitable for recycling and the materials which have to be disposed of separately.

Material	suitable for recycling	Disposal
Metal	yes	no
Plastic materials	yes	no
Circuit boards	no	yes

Please dispose of the circuit boards according to one of the following methods:

- ◆ Burning at high temperatures (at least 1200°C) in an incineration plant licensed in accordance with part A or B of the environmental protection act.
- ◆ Disposal via a technical waste dump which is allowed to take on electrolytic aluminum condensers. Do under no circumstances dump the circuit boards at a place near a normal waste dump.

### Storage

If you do not wish to mount and install the device immediately, make sure to store it in a dry and clean **environment** (see on page 213). Make sure that the device is not stored near strong heat sources and that no metal chippings can get into the device.

Please note in the event of storage >1 year:

#### Forming the capacitors

**Forming the capacitors only required with 400VAC axis controllers and PSUP mains module**

If the device was stored longer than one year, the intermediate capacitors must be re-formed!

#### Forming sequence:

- ◆ Remove all electric connections
- ◆ Supply the device with 230VAC single phase for 30 minutes
  - ◆ via the L1 and L2 terminals on the device or
  - ◆ multi axis devices via L1 and L2 on the PSUP mains module



## 1.5 Safety instructions

### In this chapter you can read about:

General hazards .....	13
Safety-conscious working .....	13
Special safety instructions .....	14

### 1.5.1. General hazards

#### General Hazards on Non-Compliance with the Safety Instructions

The device described in this manual is designed in accordance with the latest technology and is safe in operation. Nevertheless, the device can entail certain hazards if used improperly or for purposes other than those explicitly intended.

Electronic, moving and rotating components can

- ◆ constitute a hazard for body and life of the user, and
- ◆ cause material damage

#### Designated use

The device is designed for operation in electric power drive systems (VDE0160). Motion sequences can be automated with this device. Several motion sequences can be combined by interconnecting several of these devices. Mutual interlocking functions must be incorporated for this purpose.

### 1.5.2. Safety-conscious working

This device may be operated only by qualified personnel.

Qualified personnel in the sense of these operating instructions consists of:

- ◆ Persons who, by virtue to their training, experience and instruction, and their knowledge of pertinent norms, specifications, accident prevention regulations and operational relationships, have been authorized by the officer responsible for the safety of the system to perform the required task and in the process are capable of recognizing potential hazards and avoiding them (definition of technical personnel according to VDE105 or IEC364),
- ◆ Persons who have a knowledge of first-aid techniques and the local emergency rescue services.
- ◆ persons who have read and will observe the safety instructions.
- ◆ Those who have read and observe the manual or help (or the sections pertinent to the work to be carried out).

This applies to all work relating to setting up, commissioning, configuring, programming, modifying the conditions of utilization and operating modes, and to maintenance work.

This manual and the help information must be available close to the device during the performance of all tasks.

### 1.5.3. Special safety instructions



#### Caution!

Due to movable machine parts and high voltages, the device can pose a lethal danger. Danger of electric shock in the case of non-respect of the following instructions. The device corresponds to DIN EN 61800-3, i.e. it is subject to limited sale. The device can emit disturbances in certain local environments. In this case, the user is liable to take suitable measures.

- ◆ Check that all live terminals are secured against contact. Perilous voltage levels of up to 850V occur.
- ◆ Do not bypass power direct current



#### Caution!

Due to movable machine parts and high voltages, the device can pose a lethal danger. Danger of electric shock in the case of non-respect of the following instructions. The device corresponds to DIN EN 61800-3, i.e. it is subject to limited sale. The device can emit disturbances in certain local environments. In this case, the user is liable to take suitable measures.

- ◆ The device must be permanently grounded due to high earth leakage currents.
- ◆ The drive motor must be grounded with a suitable protective lead.
- ◆ The devices are equipped with high voltage DC condensers. Before removing the protective cover, the discharging time must be awaited. After switching off the supply voltage, it may take up to 10 minutes (with additional capacity modules it may take up to 30 minutes) to discharge the capacitors. Danger of electric shock in case of non respect.
- ◆ Before you can work on the device, the supply voltage must be switched off at the L1, L2 and L3 clamps. Wait at least 10 minutes so that the power direct current may sink to a secure value (<50V). Check with the aid of a voltmeter, if the voltage at the DC+ and DC- clamps has fallen to a value below 50V. Danger of electric shock in case of non respect.
- ◆ Do never perform resistance tests with elevated voltages (over 690V) on the wiring without separating the circuit to be tested from the drive.
- ◆ Please exchange devices only in currentless state and, in an axis system, only in a defined original state.
- ◆ If the axis controller is replaced, it is absolutely necessary to transfer the configuration determining the correct operation of the drive to the device, before the device is put into operation. Depending on the operation mode, a machine zero run will be necessary.
- ◆ The device contains electrostatically sensitive components. Please heed the electrostatic protection measures while working at/with the device as well as during installation and maintenance.
- ◆ Operation of the PSUP30 only with line choke.



#### Attention - hot surface!

The heat dissipater can reach very high temperatures (>70°C)

#### Protective seals



#### Caution!

The user is responsible for protective covers and/or additional safety measures in order to prevent damages to persons and electric accidents.

Please note in the event of storage >1 year:

### Forming the capacitors

**Forming the capacitors only required with 400VAC axis controllers and PSUP mains module**

If the device was stored longer than one year, the intermediate capacitors must be re-formed!

#### Forming sequence:

- ◆ Remove all electric connections
- ◆ Supply the device with 230VAC single phase for 30 minutes
  - ◆ via the L1 and L2 terminals on the device or
  - ◆ multi axis devices via L1 and L2 on the PSUP mains module

## 1.6 Warranty conditions

- ◆ The device must not be opened.
- ◆ Do not make any modifications to the device, except for those described in the manual.
- ◆ Make connections to the inputs, outputs and interfaces only in the manner described in the manual.
- ◆ Fix the devices according to the **mounting instructions**. (see on page 66, see on page 72)

We cannot provide any guarantee for other mounting methods.

#### Note on exchange of options

Device options must be exchanged in the factory to ensure hardware and software compatibility.

- ◆ When installing the device, make sure the heat dissipators of the device receive sufficient air and respect the recommended mounting distances of the devices with integrated ventilator fans in order to ensure free circulation of the cooling air.
- ◆ Make sure that the mounting plate is not exposed to external temperature influences.

## 1.7 Conditions of utilization

### In this chapter you can read about:

Conditions of utilization for CE-conform operation .....	16
Conditions of utilization for UL certification Compax3S .....	19
Conditions of utilization for UL approval Compax3M .....	20
Conditions of utilization for UL approval PSUP .....	21
Conditions of utilization for UL certification Compax3H .....	22
Current on the mains PE (leakage current) .....	23
Supply networks .....	23

### 1.7.1. Conditions of utilization for CE-conform operation

#### - Industry and trade -

The EC guidelines for electromagnetic compatibility 2004/108/EC and for electrical operating devices for utilization within certain voltage limits 2006/95/EC are fulfilled when the following boundary conditions are observed:

**Operation of devices only in the state in which they are delivered.**

In order to ensure contact protection, all mating plugs must be present on the device connections even if they are not wired.

Please respect the specifications of the manual, especially the technical characteristics (mains connection, circuit breakers, output data, ambient conditions,...).

#### 1.7.1.1 Conditions of utilization mains filter

**Mains filter:** A mains filter is required in the mains input line if the motor cable exceeds a certain length. Filtering can be provided centrally at the system mains input or separately for each device or with C3M for each axis system.

#### Use of the devices in a commercial and residential area (limit value class in accordance with EN 61800-3)

The following mains filters are available for independent utilization:

Device: Compax3S	Limit value class	Motor cable length	Mains filter Order No.:
S0xxV2	C2	< 10 m	without
	C2	> 10 m, < 100 m	NFI01/01
S1xxV2, S0xxV4, S150V4	C2	< 10 m	without
	C2	> 10 m, < 100 m	NFI01/02
S300V4	C3	< 10 m	without
	C2, C3	> 10 m, < 100 m	NFI01/03
Device: Compax3H	Limit value class	Motor cable length	Mains filter Order No.:
H050V4	C2	< 10 m	without
	C2	> 10 m, < 50 m	NFI02/01
H090V4	C2	< 10 m	without
	C2	> 10 m, < 50 m	NFI02/02
H1xxV4	C2	< 10 m	without
	C2	> 10 m, < 50 m	NFI02/03

**Use of the devices in the industrial area (limit values class C3 in accordance with EN 61800-3)**

The following mains filters are available for independent utilization:

Device: PSU	Limit value class	Reference: Axis system with motor cable	Mains filter Order No.:
P10	C3	< 6 x 10 m	NFI03/01
P10	C3	< 6 x 50 m	NFI03/02
P20	C3	< 6 x 50 m	NFI03/03
P30	C3	< 6 x 50 m	NFI03/03

**Connection length: Connection between mains filter and device:**

unshielded: < 0.5 m  
shielded < 5 (fully shielded on ground - e.g. ground of control cabinet)

**1.7.1.2 Conditions of utilization for cables / motor filter**

**Motor and Feedback cable:** Operation of the devices only with motor and feedback cables whose plugs contain a special full surface area screening.

**Compax3S motor cable** < 100 m (the cable should not be rolled up!)  
A **motor output filter** (see on page 170) is required for motor cables >20 m:  
◆ MDR01/04 (max. 6.3 A rated motor current)  
◆ MDR01/01 (max. 16 A rated motor current)  
◆ MDR01/02 (max. 30 A rated motor current)

**Compax3H motor cable** A motor output filter is required for motor cables >50m. Please contact us.

**Compax3M motor cable** <80m per axis (the cable must not be rolled up!)  
The entire length of the motor cable per axis combination may not exceed 300m.  
A **motor output filter** (see on page 170) is required for motor cables >20 m:  
◆ MDR01/04 (max. 6.3 A rated motor current)  
◆ MDR01/01 (max. 16 A rated motor current)  
◆ MDR01/02 (max. 30 A rated motor current)

**Shielding connection of the motor cable**

The cable must be fully-screened and connected to the Compax3 housing. Use the cable clamps/shield connecting terminals furnished with the device.

The shield of the cable must also be connected with the motor housing. The fixing (via plug or screw in the terminal box) depends on the motor type.

**Feedback cable** < 100 m  
**Compax3S,**  
**Compax3H &**  
**Compax3F:**

**Compax3M encoder cable:** < 80m

**Cable für Compax3S, Compax3M** Corresponding to the specifications of the terminal clamp with a temperature range of up to 60°C.

**Cable für Compax3H** Corresponding to the specifications of the terminal clamp with a temperature range of up to 75°C.

**Cable installation:**

- ◆ Signal lines and power lines should be installed as far apart as possible.
- ◆ Signal lines should never pass close to excessive sources of interference (motors, transformers, contactors etc.).
- ◆ Do not place mains filter output cable parallel to the load cable.

### 1.7.1.3 Additional conditions of utilization

**Motors:** Operation with standard motors.

**Control:** Use only with aligned controller (to avoid control loop oscillation).

**Grounding:** Connect the filter housing and the device to the cabinet frame, making sure that the contact area is adequate and that the connection has low resistance and low inductance.

Never mount the filter housing and the device on paint-coated surfaces!

**Compax3S300V4** For CE and UL conform operation of the Compax3S300V4, a mains filter is compulsory:

- ◆ 400 VAC / 0.740 mH certified in accordance with EN 61558-1 bzw. 61558-2-2
- ◆ We offer the mains filter as an accessory: LIR01/01

**Accessories:** Make sure to use only the accessories recommended by Parker

**Connect all cable shields at both ends, ensuring large contact areas!**

**Warning:**

**This is a product in the restricted sales distribution class according to EN 61800-3. In a domestic area this product can cause radio frequency disturbance, in which case the user may be required to implement appropriate remedial measures.**

## 1.7.2. Conditions of utilization for UL certification Compax3S

### UL certification for Compax3S

conform to UL:	◆ according to UL508C
Certified	◆ E-File_No.: E235342

The UL certification is documented by a "UL" logo on the device (type specification plate).



"UL" logo:

### Conditions of utilization

- ◆ The devices are only to be installed in a degree of contamination 2 environment (maximum).
- ◆ The devices must be appropriately protected (e.g. by a switching cabinet).
- ◆ The X2 terminals are not suitable for field wiring.
- ◆ Tightening torque of the field wiring terminals ( green Phoenix plugs)
  - ◆ C3S0xxV2 0.57 - 0.79Nm 5 - 7Lb.in
  - ◆ C3S1xxV2, 0.57 - 0.79Nm 5 - 7Lb.in
  - C3S0xxV4, C3S150V4
  - ◆ C3S300V4 1.25 - 1.7Nm 11 - 15Lb.in
- ◆ Temperature rating of field installed conductors shall be at least 60°C. Use copper lines only  
Please use the cables described in the **accessories chapter** (see on page 155, see on page 157), they feature a temperature rating of at least 60°C.
- ◆ Maximum Surrounding Air Temperature: 45°C.
- ◆ Motor over temperature monitoring is only supported, if the external temperature sensor is connected.
- ◆ Suitable for use on a circuit capable of delivering at least 5000 symmetrical amperes effectively and 480 Volts when protected with fuses.  
Fuses:  
In addition to the main fuse, the devices must be equipped with a S201K, S203K, S271K or S273K circuit breaker with K characteristic made by ABB.
  - ◆ C3S025V2: ABB, nom 480V 10A, 6kA
  - ◆ C3S063V2: ABB, nom 480V, 16A, 6kA
  - ◆ C3S100V2: ABB, nom 480V, 16A, 6kA
  - ◆ C3S150V2: ABB, nom 480V, 20A, 6kA
  - ◆ C3S015V4: ABB, nom 480V, 6A, 6kA
  - ◆ C3S038V4: ABB, nom 480V, 10A, 6kA
  - ◆ C3S075V4: ABB, nom 480V, 16A, 6kA
  - ◆ C3S150V4: ABB, nom 480V, 20A, 6kA
  - ◆ C3S300V4: ABB, nom 480V, 25A, 6kA



#### CAUTION

Risk of electric shock.  
Discharge time of the bus capacitor is 10 minutes.

- ◆ The drive provides internal motor overload protection.  
This must be set so that 200% of the motor nominal current are not exceeded.
- ◆ Cable cross-sections
  - ◆ Mains input: corresponding to the recommended fuses.
  - ◆ Motor cable: corresponding to the **Nominal output currents** (see on page 202, see on page 203)
  - ◆ Maximum cross-section limited by the terminals mm<sup>2</sup> / AWG
    - ◆ C3S0xxV2 2.5mm<sup>2</sup> AWG 12
    - ◆ C3S1xxV2, 4.0mm<sup>2</sup> AWG 10
    - C3S0xxV4, C3S150V4
    - ◆ C3S300V4 6.0mm<sup>2</sup> AWG 7

### 1.7.3. Conditions of utilization for UL approval Compax3M

#### UL approval for Compax3M

<b>Conform to UL:</b>	◆ in accordance with UL508C
<b>Certified</b>	◆ E-File_No.: E235342

The UL approval is documented by a "UL" logo on the device (type specification plate).



#### Conditions of utilization

- ◆ The devices are only to be installed in a degree of contamination 2 environment (maximum).
- ◆ The devices must be appropriately protected (e.g. by a switching cabinet).
- ◆ Tightening torque of the field wiring terminals ( green Phoenix plugs)

Device	X43: Motor connector	X15: Temperature monitoring
<b>C3M050-150</b>	0.5Nm (4.43Lb.in)	0.22Nm (1.95Lb.in)
<b>C3M300</b>	1.2Nm (10.62Lb.in)	0.22Nm (1.95Lb.in)

- ◆ Temperature rating of field installed conductors shall be at least 60°C. Use copper lines only  
Please use the cables described in the **accessories chapter** (see on page 155, see on page 157), they feature a temperature rating of at least 60°C.
- ◆ Maximum Surrounding Air Temperature: 40°C.
- ◆ Control voltage supply (24VDC) only permissible with "class 2" power supply.
- ◆ Compax3M may only be operated with a mains module of the PSUP series.
- ◆ Motor Over Temperature sensing is not provided by the drive unless the external temperature sensor is connected.



#### Caution!

Risk of electric shock.

Discharge time of the bus capacitor is 10 minutes.

The drive provides internal motor overload protection.

This must be set so that 200% of the motor nominal current are not exceeded.

- ◆ Cable cross-sections
  - ◆ Mains input: corresponding to the recommended fuses.
  - ◆ Motor cable: corresponding to the **Nominal output currents** (see on page 202, see on page 203)
- ◆ Maximum cross-section limited by the terminals mm<sup>2</sup> / AWG

#### Line cross-sections of the power connections (on the device bottoms)

Compax3 device:	Cross-section: Minimum... Maximum [with conductor sleeve]
<b>M050, M100, M150</b>	0.25 ... 4 mm <sup>2</sup> (AWG: 23 ... 11)
<b>M300</b>	0.5 ... 6 mm <sup>2</sup> (AWG: 20 ... 10)



### 1.7.4. Conditions of utilization for UL approval PSUP

#### UL approval for mains modules PSUP

<b>Conform to UL:</b>	◆ in accordance with UL508C
<b>Certified</b>	◆ E-File_No.: E235342

The UL approval is documented by a "UL" logo on the device (type specification plate).



UL approval PSUP30 in preparation!

#### Conditions of utilization

- ◆ The devices are only to be installed in a degree of contamination 2 environment (maximum).
- ◆ The devices must be appropriately protected (e.g. by a switching cabinet).
- ◆ Tightening torque of the field wiring terminals ( green Phoenix plugs)

Device	X40: Ballast resistor	X41: Mains connector	X9: 24VDC
<b>PSUP10</b>	0.5 Nm (4.43Lb.in)	1.2 Nm (10.62Lb.in)	1.2 Nm (10.62Lb.in)
<b>PSUP20</b>	0.5 Nm (4.43Lb.in)	1.7 Nm (15Lb.in)	1.2 Nm (10.62Lb.in)
<b>PSUP30</b>	UL approval in preparation		

- ◆ Temperature rating of field installed conductors shall be at least 60°C. Use copper lines only  
Please use the cables described in the **accessories chapter** (see on page 155, see on page 157), they feature a temperature rating of at least 60°C.
- ◆ Maximum Surrounding Air Temperature: 40°C.
- ◆ Control voltage supply (24VDC) only permissible with "class 2" power supply.
- ◆ Suitable for use on a circuit capable of delivering not more than 5000 rms symmetrical amperes and 480 volts maximum and protected by (see below).
- ◆ The devices need a "branch circuit protection".

#### PSUP10D6

<b>Maximum fuse rating per device</b>	Measure for line and device protection: MCB miniature circuit breaker (K characteristic) 25A in accordance with UL category DIVQ (ABB) S203UP-K25 (480VAC)
---------------------------------------	---

#### PSUP20D6

<b>Maximum fuse rating per device</b> <b>2 special purpose fuses in line are required</b>	<b>Cable protection measure:</b> MCB (K characteristic) with a rating of 50A / 4xxVAC (depending on the input voltage). (ABB) S203U-K50 (440VAC) <b>Device protection measure:</b> Fuses 80A / 700VAC per supply leg in accordance with UL category JFHR2: Bussmann 170M1366 or 170M1566D
--	---



#### Caution!

Risk of electric shock.  
Discharge time of the bus capacitor is 10 minutes.

## 1.7.5. Conditions of utilization for UL certification Compax3H

### UL certification for Compax3H

Conform to UL:	◆ according to UL508C
Certified	◆ E-File_No.: E235342

The UL certification is documented by a "UL" logo on the device (type specification plate).



### Conditions of utilization

- ◆ The devices are only to be installed in a degree of contamination 2 environment (maximum).
- ◆ The devices must be appropriately protected (e.g. by a switching cabinet).
- ◆ Tightening Torque of the Field Wiring Terminals.

### Terminal clamps - max. line cross sections

The line cross sections must correspond to the locally valid safety regulations. The local regulations have always priority.

	Power clamps (minimum/maximum section)	
<b>C3H050V4</b>	2.5 / 16mm <sup>2</sup>	
	Massive	Multiwire
<b>C3H090V4</b>	16 / 50mm <sup>2</sup>	25 / 50mm <sup>2</sup>
<b>C3H1xxV4</b>	25 / 95mm <sup>2</sup>	35 / 95mm <sup>2</sup>

*The standard connection clamps of Compax3H090V4 and Compax3H1xxV4 are not suitable for flat line bars.*

**Temperature rating of field installed conductors shall be at least 75°C. Do only use copper lines.**

- ◆ Maximum Surrounding Air Temperature: 45°C.
- ◆ Motor overtemperature monitoring is only supported, if the external temperature sensor is connected.
- ◆ Suitable for use on a circuit capable of delivering not more than 18000A symmetrical amperes effectively when protected with fuses as follows:

Device	Protection data
C3H050V4	480 VAC 80 A
C3H090V4	480 VAC 100 A
C3H125V4	480 VAC 160 A
C3H155V4	480 VAC 200 A

### Caution!

Risk of electric shock.

Upon removing power to the equipment, please wait at least 10 minutes before accessing the device to ensure internal voltage levels are less than 50VDC.

- ◆ The drive provides internal motor overload protection.  
This must be set so that 200% of the motor nominal current are not exceeded.
- ◆ Cable cross-sections
  - ◆ Mains input: corresponding to the recommended fuses.
  - ◆ Motor cable: corresponding to the **Nominal output currents** (see on page 202, see on page 203)
  - ◆ This device is provided with Solid State Short Circuit (output) Protection.



### 1.7.6. Current on the mains PE (leakage current)



**Caution!**

This product can cause a direct current in the protective lead. If a residual current device (RCD) is used for protection in the event of direct or indirect contact, only a type B (all current sensitive) RCD is permitted on the current supply side of this product. Otherwise, a different protective measure must be taken, such as separation from the environment by doubled or enforced insulation or separation from the mains power supply by means of a transformer.

Please heed the connection instructions of the RCD supplier.

Mains filters do have high leakage currents due to their internal capacity. An internal mains filter is usually integrated into the servo controllers. Additional discharge currents are caused by the capacities of the motor cable and the motor winding. Due to the high clock frequency of the power output stage, the leakage currents do have high-frequency components. Please check if the FI protection switch is suitable for the individual application.

If an external mains filter is used, an additional leakage current will be produced.

The figure of the leakage current depends on the following factors:

- ◆ Length and properties of the motor cable
- ◆ Switching frequency
- ◆ Operation with or without external mains filter
- ◆ Motor cable with or without shield network
- ◆ Motor housing grounding (how and where)

**Remark:**

- ◆ The leakage current is important with respect to the handling and usage safety of the device.
- ◆ A pulsing leakage current occurs if the supply voltage is switched on.

**Please note:**

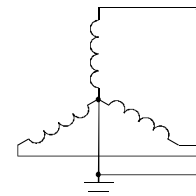
The device must be operated with effective grounding connection, which must comply with the local regulations for high leakage currents (>3.5 mA).

Due to the high leakage currents it is not advisable to operate the servo drive with an earth leakage circuit breaker.

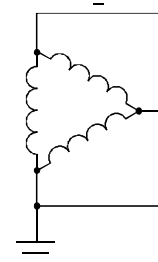
### 1.7.7. Supply networks

This product is designed for fixed connection to TN networks (TN-C, TN-C-S or TN-S). Please note that the line-earth voltage may not exceed 300VAC.

- ◆ When grounding the neutral conductor, mains voltages of up to 480VAC are permitted.



- ◆ When grounding an external conductor (delta mains, two-phase mains), mains voltages (external conductor voltages) of up to 240VAC are permitted.



Devices which are to be connected to an IT network must be provided with a separating transformer. Then the devices are operated locally as in a TN network. The secondary sided center of the separating transformer must be grounded and connected to the PE connector of the device.

## 2. Compax3 with analogue and step/direction input

The complete modular structure of the Compax3 optimizes the integration of intelligent servo-drives for various applications efficiently. With its analogue interface or alternatively with step/direction or encoder step signals, the Compax3 I10 gives you easy and reasonably priced access to the world of servo-drive technology. With its simple, standardized setpoint interface, the Compax3 I10 is particularly suitable if you want to migrate to servo-drive systems for technical reasons. Irrelevant of whether you have a PLC or PC central control unit, this remains unchanged. The Compax3 I10 represents an ideal way of migrating from analog +/- 10V drives to digital, intelligent servo-drives.

<b>Compax3 control technology</b>	High-performance control technology and openness for various sender systems are fundamental requirements for a fast and high-quality automation of movement.
<b>Model / standards / auxiliary material</b>	The structure and size of the device are of considerable importance. High-quality electronics are a fundamental requirement for the particularly small and compact form of the Compax3 devices. All connectors are located on the front of the Compax3S.

Partly integrated mains filters permit connection of motor cables up to a certain length without requiring additional measures. EMC compatibility is within the limits set by EN 61800-3, Class A. The Compax3 is CE-conform.

The intuitive user interface familiar from many applications, together with the oscilloscope function, wizards and online help, simplifies making and modifying settings via the PC.

The optional **Operator control module (BDM01/01)** (see on page 192) for Compax3S/F makes it possible to exchange devices quickly without requiring a PC.



### Operating modes

You can choose between 3 different operating modes:

- ◆ ±10V speed command interface with encoder simulation as current value feedback.
- ◆ ±10V predefined current setpoint with encoder emulation for actual position value feedback and configurable holding functions.
- ◆ Step/direction command Input
  - ◆ With step/direction signals as 24V logic levels or
  - ◆ With step/direction logic signals conforming to RS422.
- ◆ Encoder input
  - ◆ RS422
  - ◆ 24V level

**Configuration** Configuration is made with a PC with the help of the Compax3 ServoManager.

# 3. Compax3 device description

**In this chapter you can read about:**

Meaning of the status LEDs - Compax3 axis controller .....26  
 Meaning of the status LEDs - PSUP (mains module).....27  
 Connections of Compax3S .....28  
 Installation instructions Compax3M .....37  
 PSUP/Compax3M Connections .....39  
 Connections of Compax3H .....49  
 Communication interfaces .....57  
 Signal interfaces .....59  
 Mounting and dimensions .....66  
 Safety function - STO (=safe torque off).....75

## 3.1 Meaning of the status LEDs - Compax3 axis controller

Device status LEDs	Right LED (red)	Left LED (green)
Voltages missing	off	off
During the booting sequence	alternately flashing	
<ul style="list-style-type: none"> <li>◆ No configuration present.</li> <li>◆ SinCos® feedback not detected.</li> <li>◆ Compax3 IEC61131-3 program not compatible with Compax3 Firmware.</li> <li>◆ no Compax3 IEC61131-3 program</li> <li>◆ Hall signals invalid.</li> </ul>	flashes slowly	off
Axis powerless	off	flashes slowly
Power supplied to axis; commutation calibration running	off	flashes quickly
Axis powered	off	on
Axis in error state / error present / axis powered (error reaction 1)	flashes quickly	on
Axis in error state / error present / axis not powered (error reaction 2)	on	off
Compax3 faulty: Please contact us	on	on

**Note on Compax3H:** The **internal** device status LEDs are only connected to the **external** housing LEDs, if the RS232 jumper at X10 is fitted to the control and the upper dummy cover is fitted.

### 3.2 Meaning of the status LEDs - PSUP (mains module)

PSUP Status LEDs	Left LED (green)	Right LED (red)
Control voltage 24 VDC is missing	off	off
Error of mains module*	off	on
Address assignment CPU active or incorrect wiring	flashes quickly	-
Address assignment CPU completed	flashes slowly	-
Device state: INIT Mains voltage is missing or built up	flashes	flashes quickly
Device state: ERROR One or multiple errors occurred	flashes	on
Device state: RUN	on	off
Device in bootloader state	flashes slowly	flashes slowly

\*can be read out in each axis controller



#### Caution!

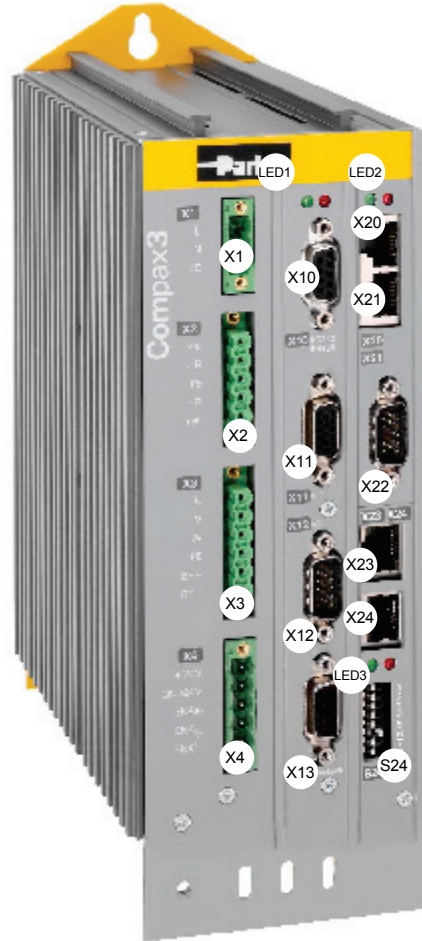
When the control voltage is missing there is no indication whether or not high voltage supply is available.

### 3.3 Connections of Compax3S

**In this chapter you can read about:**

Compax3S connectors .....28  
 Connector and pin assignment C3S.....29  
 Control voltage 24VDC / enable connector X4 C3S .....31  
 Motor / Motor brake C3S connector X3.....32  
 Compax3Sxxx V2 .....33  
 Compax3Sxxx V4 .....35

#### 3.3.1. Compax3S connectors



<b>X1</b>	AC Supply	<b>X20</b>	HEDA in (Option M10, M11)	Option M21 inputs
<b>X2</b>	Ballast / DC power voltage	<b>X21</b>	HEDA out (Option M10, M11)	Option M21 inputs
<b>X3</b>	Motor / Brake	<b>X22</b>	Inputs Outputs (Option M10/12)	
<b>X4</b>	24VDC / Enable	<b>X23/ X24</b>	Bus (Option)	Connector type depends on the bus system!
<b>X10</b>	RS232/RS485	<b>S24</b>	Bus settings	
<b>X11</b>	Analog/Encoder	<b>LED1</b>	Device status LEDs	
<b>X12</b>	Inputs/Outputs	<b>LED2</b>	HEDA LEDs	
<b>X13</b>	Motor position feedback	<b>LED3</b>	Bus LEDs	





**Caution - Risk of Electric Shock!**

Always switch devices off before wiring them!  
 Dangerous voltages are still present until 10 min. after switching off the power supply.



**Caution!**

When the control voltage is missing there is no indication whether or not high voltage supply is available.



**Attention - PE connection!**

PE connection with 10mm<sup>2</sup> via a grounding screw at the bottom of the device.



**Attention - hot surface!**

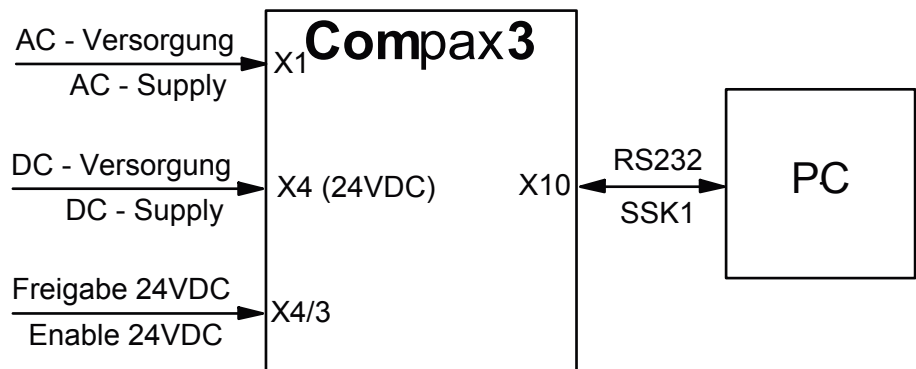
The heat dissipater can reach very high temperatures (>70°C)

**Line cross sections of the line connections X1, X2, X3**

Compax3 device:	Cross-section: Minimum... Maximum[mm <sup>2</sup> ]
S025V2, S063V2	0.25 ... 2.5 (AWG: 24 ... 12)
S100V2, S150V2 S015V4, S038V4, S075V4, S150V4	0.25 ... 4 (AWG: 24 ... 10)
S300V4	0.5 ... 6 (AWG: 20 ... 7)

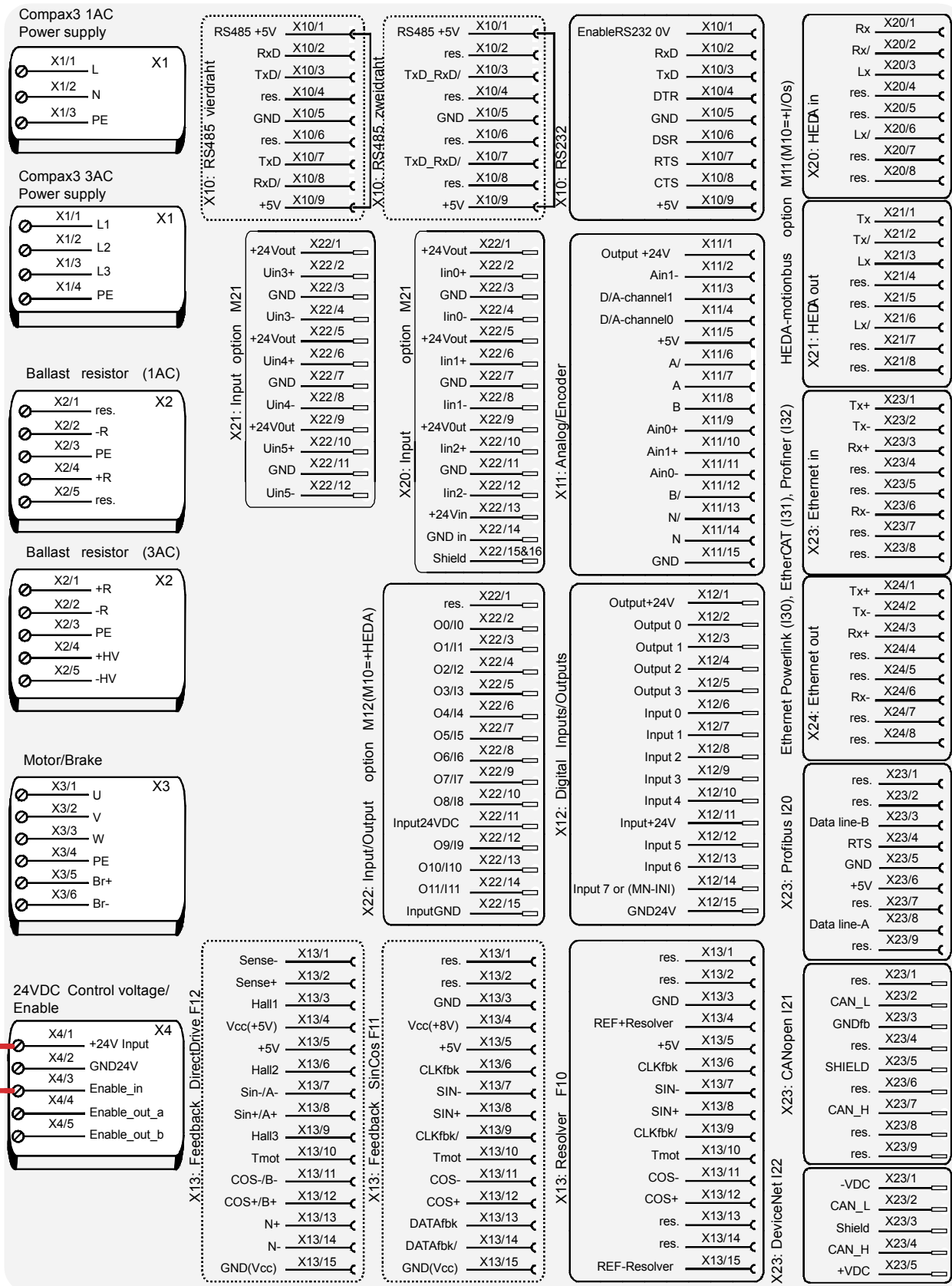
**3.3.2. Connector and pin assignment C3S**

Overview:



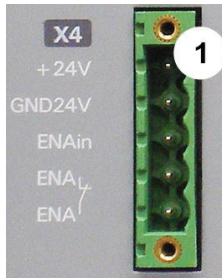
**Further information on the assignment of the plug mounted at the particular device can be found below!**

**In detail:** The fitting of the different plugs depends on the extension level of Compax3. In part, the assignment depends on the Compax3 option implemented.



The jumper drawn in at X4 (at the left side in red) is used to enable the device for testing purposes. During operation, the enable input is in most cases switched externally.

### 3.3.3. Control voltage 24VDC / enable connector X4 C3S



PIN	Description
1	+24V (supply)
2	Gnd24V
3	Enable_in
4	Enable_out_a
5	Enable_out_b

Line cross sections:  
 minimum: 0.25mm<sup>2</sup>  
 maximum: 2.5mm<sup>2</sup>  
 (AWG: 24 ... 12)

#### Control voltage 24VDC Compax3S and Compax3H

<b>Controller type</b>	Compax3
<b>Voltage range</b>	21 - 27VDC
<b>Current drain of the device</b>	0.8 A
<b>Total current drain</b>	0.8 A + Total load of the digital outputs + current for the motor holding brake
<b>Ripple</b>	0.5Vpp
<b>Requirement according to safe extra low voltage (SELV)</b>	yes
<b>Short-circuit proof</b>	conditional (internally protected with 3.15AT)

Hardware - enable (input X4/3 = 24VDC)

This input is used as safety interrupt for the power output stage.

Tolerance range: 18.0V - 33.6V / 720Ω

#### "Safe torque off (X4/3=0V)

For implementation of the "safety torque off" safety feature in accordance with the "protection against unexpected start-up" described in EN1037. Observe instructions in the corresponding **chapter** (see on page 75) with the circuitry examples!

The energy supply to the drive is reliably shut off, the motor has no torque. A relay contact is located between X4/4 and X4/5 (normally closed contact)

Enable_out_a - Enable_out_b	Power output stage is
Contact opened	activated
Contact closed	disabled

Series connection of these contacts permits certain determination of whether all drives are de-energized.

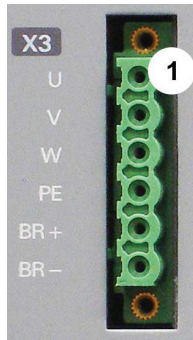
#### Relay contact data:

Switching voltage (AC/DC): 100mV - 60V

Switching current: 10mA - 0.3A

Switching power: 1mW...7W

### 3.3.4. Motor / Motor brake C3S connector X3



PIN	Designation	Motor cable lead designation*			
1	U (motor)	U / L1 / C / L+	1	U1	
2	V (motor)	V / L2	2	V2	
3	W (motor)	W / L3 / D / L-	3	W3	
4	PE (motor)	YE / GN	YE / GN	YE / GN	
5	BR+	Motor holding brake	WH	4	Br1
6	BR-	Motor holding brake	BK	5	Br2

\* depending on the cable type

#### Requirements for motor cable

< 100m (the cable should not be rolled up!)

A **motor output filter** (see on page 170) is required for motor cables >20 m:

#### Shielding connection of the motor cable

The cable must be fully-screened and connected to the Compax3 housing. Use the cable clamps/shield connecting terminals furnished with the device.

The shield of the cable must also be connected with the motor housing. The fixing (via plug or screw in the terminal box) depends on the motor type.

#### Attention - Please wire the motor holding brake!

Connect the brake only on motors which have a holding brake! Otherwise make no brake connections at all.

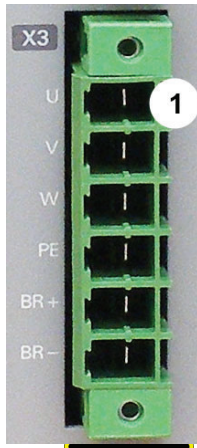
#### Requirements cables for motor holding brake

If a motor holding brake is present, **one cable** of the motor holding brake must be fed on the device side through the toroidal core ferrite provided as accessory ZBH0x/xx (63Ω @1MHz, di=5.1mm), in order to ensure error-free switching on and off of the motor holding brake.

#### Motor holding brake output

Motor holding brake output	Compax3
Voltage range	21 – 27VDC
Maximum output current (short circuit proof)	1.6A

Motor cable



### 3.3.5. Compax3Sxxx V2

In this chapter you can read about:

Main voltage supply C3S connector X1 .....33  
 Braking resistor / high voltage DC C3S connector X2 .....34

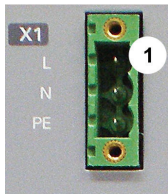
#### 3.3.5.1 Main voltage supply C3S connector X1

Device protection

By cyclically switching on and off the power voltage, the input current limitation can be overloaded, which will cause a device error.

Therefore please wait at least 2 minutes after switching off before you switch the device on again!

#### Power supply plug X1 for 1 AC 230VAC/240VAC devices



PIN	Designation
1	L
2	N
3	PE

#### Mains connection Compax3S0xxV2 1AC

Controller type	S025V2	S063V2
Continuous working voltage	Single phase 230VAC/240VAC 80-253VAC / 50-60Hz	
Receiver current consumption	6Arms	13Arms
Maximum fuse rating per device	10 A (automatic circuit breaker K)	16A (automatic circuit breaker K)

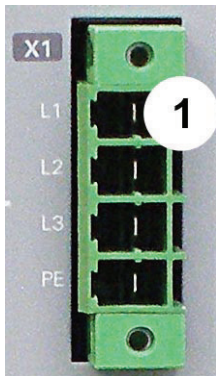
\* for **UL conform operation** (see on page 19), a miniature circuit breaker, K characteristic, Type S203 is to be used.



#### Caution - Risk of Electric Shock!

Always switch devices off before wiring them!  
 Dangerous voltages are still present until 10 min. after switching off the power supply.

#### Power supply plug X1 for 3AC 230VAC/240VAC devices



PIN	Designation
1	L1
2	L2
3	L3
4	PE

#### Mains connection Compax3S1xxV2 3AC

Controller type	S100V2	S150V2
Supply voltage	Three phase 3* 230VAC/240VAC 80-253VAC / 50-60Hz	
Input current	10Arms	13Arms
Maximum fuse rating per device	16A	20A
	<b>MCB miniature circuit breaker, K characteristic</b>	

\* for **UL conform operation** (see on page 19), a miniature circuit breaker, K characteristic, Type S203 is to be used.

**Caution!** The 3AC V2 devices must only be operated with three phases!



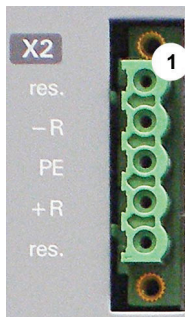
**Caution - Risk of Electric Shock!**

Always switch devices off before wiring them!  
 Dangerous voltages are still present until 10 min. after switching off the power supply.

**3.3.5.2 Braking resistor / high voltage DC C3S connector X2**

The energy generated during braking operation is absorbed by the Compax3 storage capacity.  
 If this capacity is too small, the braking energy must be drained via a braking resistor.

**Braking resistor / high voltage supply plug X2 for 1AC 230VAC/240VAC devices**



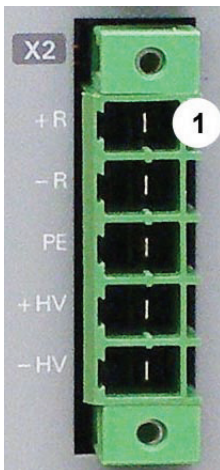
PIN	Designation
1	factory use
2	- braking resistor (not short-circuit protected!)
3	PE
4	+ braking resistor (not short-circuit protected!)
5	factory use

**Braking operation Compax3S0xxV2 1AC**

Controller type	S025V2	S063V2
Capacitance / storable energy	560µF / 15Ws	1120µF / 30Ws
Minimum braking- resistance	100Ω	56Ω
Recommended nominal power rating	20 ... 60W	60 ... 180W
Maximum continuous current	8A	15A

**Caution!** The power voltage DC of two Compax3 1AC V2 devices (230VAC/240VAC devices) must not be connected.

**Braking resistor / high voltage supply plug X2 for 3AC 230VAC/240VAC devices**



PIN	Description	
1	+ Braking resistor	no short-circuit protection!
2	- Braking resistor	
3	PE	
4	+ DC high voltage supply	
5	- DC high voltage supply	

**Braking operation Compax3S1xxV2 3AC**

Controller type	S100V2	S150V2
Capacitance / storable energy	780µF / 21Ws	1170µF / 31Ws
Minimum braking- resistance	22Ω	15Ω
Recommended nominal power rating	60 ... 450W	60 ... 600W
Maximum continuous current	20A	20A

**Connection of a braking resistor**

Minimum line cross section: 1.5mm<sup>2</sup>  
 Maximum line length: 2m  
 Maximum output voltage: 400VDC

### 3.3.6. Compax3Sxxx V4

**In this chapter you can read about:**

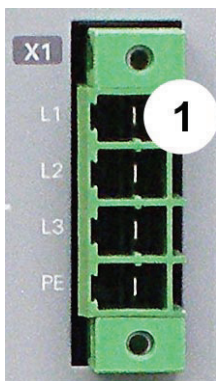
Power supply connector X1 for 3AC 400VAC/480VAC-C3S devices .....35  
 Braking resistor / high voltage supply connector X2 for 3AC 400VAC/480VAC\_C3S devices .....36  
 Connection of the power voltage of 2 C3S 3AC devices .....36

#### 3.3.6.1 Power supply connector X1 for 3AC 400VAC/480VAC-C3S devices

Device protection

By cyclically switching on and off the power voltage, the input current limitation can be overloaded, which will cause a device error.

Therefore please wait at least 2 minutes after switching off before you switch the device on again!



PIN	Designation
1	L1
2	L2
3	L3
4	PE

#### Mains connection Compax3SxxxV4 3AC

Controller type	S015V4	S038V4	S075V4	S150V4	S300V4
Continuous working voltage	Three phase 3*400VAC/480VAC 80-528VAC / 50-60Hz				
Receiver current consumption	3Aeff	6Arms	10Arms	16Arms	22Arms
Maximum fuse rating per device	6A	10A	16A	20A	25A
	MCB miniature circuit breaker, K characteristic				D*

\* for UL conform operation (see on page 19), a miniature circuit breaker, K characteristic, Type S203 is to be used.

**Caution!**



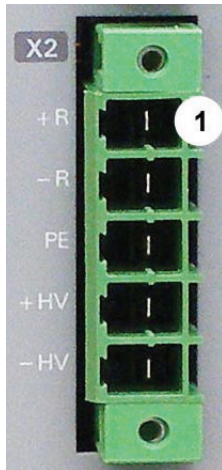
**The 3AC V4 devices must only be operated with three phases!**

**Caution - Risk of Electric Shock!**

Always switch devices off before wiring them!  
 Dangerous voltages are still present until 10 min. after switching off the power supply.



### 3.3.6.2 Braking resistor / high voltage supply connector X2 for 3AC 400VAC/480VAC\_C3S devices



PIN	Description	
1	+ Braking resistor	no short-circuit protection!
2	- Braking resistor	
3	PE	
4	+ DC high voltage supply	
5	- DC high voltage supply	

#### Braking operation Compax3SxxxV4 3AC

Controller type	S015V4	S038V4	S075V4	S150V4	S300V4
Capacity / storable energy 400V / 480V	235µF 37 / 21 Ws	235µF 37 / 21 Ws	470µF 75 / 42 Ws	690µF 110 / 61 Ws	1230µF 176 / 98 Ws
Minimum ballast - resistance	100 Ω	100 Ω	56 Ω	47 Ω	15 Ω
Recommended nominal power rating	60 ... 100W	60 ... 250W	60 ... 500 W	60 ... 1000 W	60 ... 1000 W
Maximum continuous current	10A	10A	15A	20A	30A

#### Connection of a braking resistor

Minimum line cross section: 1.5 mm<sup>2</sup>  
 Maximum line length: 2 m  
 Maximum output voltage: 800 VDC

### 3.3.6.3 Connection of the power voltage of 2 C3S 3AC devices

Caution!

**The power voltage DC of the single phase Compax3 servo axes must not be connected!**

In order to improve the conditions during brake operation, the DC power voltage of 2 servo axes may be connected. The capacity as well as the storable energy are increased; furthermore the braking energy of one servo axis may be utilized by a second servo axis, depending on the application.



**It is not permitted to connect the power voltage in order to use one brake circuit for two servo axes, as this function cannot be ensured reliably.**

#### Note the following:

**Caution! In case of non-compliance with the following instructions, the device may be destroyed!**

- ◆ You can only connect two similar servo axes (same power supply; same rated currents)
- ◆ Connected servo axes must always be fed separately via the AC power supply. If the external pre-fuse of one of the servo axes takes action, the second servo axis must also be disconnected automatically.

#### **Please connect as follows:**

Servo axis 1 X2/4 to servo axis 2 X2/4  
 Servo axis 1 X2/5 to servo axis 2 X2/5



## 3.4 Installation instructions Compax3M

### General introductory notes

- ◆ Operation of the Compax3M multi-axis combination is only possible in connection with a PSUP (mains module).
- ◆ Axis controllers are aligned at the right of the mains module.
- ◆ Arrangement within the multi-axis combination sorted by power (with the same device types according to device utilization), the axis controller with the highest power is placed directly at the right of the mains module.  
e.g. first the device type with high utilization, at the right of this, the same device type with a lower utilization.
- ◆ Max. 15 Compax3M (axis controllers) per PSUP (mains module) are permitted (please respect the total capacity of max. 2400 $\mu$ F for PSUP10, max. 5000 $\mu$ F for PSUP20).
- ◆ The continuation of the current rail connection outside the axis combination is not permitted and will lead to a loss of the CE and UL approbation.
- ◆ External components **may not** be connected to the rail system.

### Required tools:

- ◆ Allen key M5 for fixing the devices in the control cabinet.
- ◆ Crosstip screwdriver M4 for connection rails of the DC rail modules.
- ◆ Crosstip screwdriver M5 for grounding screw of the device.
- ◆ Flat-bladed screwdriver 0.4x2.5 / 0.6x3.5 / 1.0x4.0 for wiring and mounting of the phoenix clamps.

### Order of installation

- ◆ Fixing the devices in the control cabinet.
  - ◆ Predrilling the mounting plate in the control cabinet according to the specifications. Dimensions. Fit M5 screws loosely in the bores.
  - ◆ Fit device on the upper screws and place on lower screw. Tighten screws of all devices. The tightening torque depends on the screw type (e.g. 5.9Nm for M5 screw DIN 912 8.8).
- ◆ Connection of the internal supply voltage.

The Compax3M axis controllers are connected to the supply voltages via the rail modules. **Details** (see on page 41).

  - ◆ Deblocking the yellow protective cover with a flat-bladed screwdriver on the upper surface (click mechanism). Remove the closing devices (contact protection) that are not required from between the devices.
  - ◆ Connecting the rail modules, beginning with the mains module.

For this, loosen crosshead screws (5 screws at the right in the mains module, all 10 screws in the next axis controller), push the rails one after the other against to the left and tighten screws. Proceed accordingly for all adjacent axis controllers in the combination.  
Max. tightening torque: 1.5Nm.
  - ◆ Close all protective covers. The protective covers must latch audibly.

#### Please note:

Insufficiently fixed screw connections of the DC power voltage rails may lead to the destruction of the devices.

### Protective seals



#### Caution - Risk of Electric Shock!

In order to secure the contact protection against the alive rails, it is absolutely necessary to respect the following:

- ◆ Insert the yellow plastic comb at the left or right of the rails.

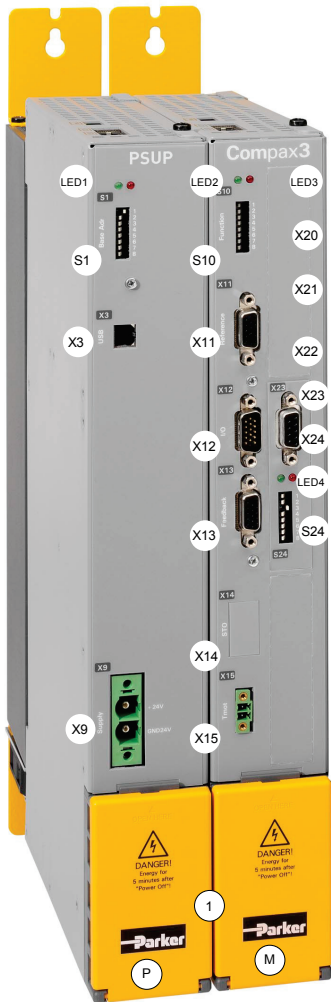
Make sure that the yellow plastic combs are placed at the left of the first device and at the right of the last device in the system and have not been removed.
- ◆ Setup of the devices only with closed protective covers.
- ◆ Connect protective earth to mains module (M5 crosshead screw on front of device bottom).
- ◆ Connecting the internal communication. **Details** (see on page 58).
- ◆ Connecting the signal and fieldbus connectors. **Details** (see on page 59).
- ◆ Connection of mains power supply **Details** (see on page 43) ballast resistor **details** (see on page 45) and motor **details** (see on page 47).
- ◆ Connecting the configuration interface to the PC. **Details** (see on page 58).

### 3.5 PSUP/Compax3M Connections

**In this chapter you can read about:**

Front connector .....39  
 Connections on the device bottom .....40  
 Connections of the axis combination .....41  
 Control voltage 24VDC PSUP (mains module) .....42  
 Mains supply PSUP (mains module) X41 .....43  
 Braking resistor / temperature switch PSUP (mains module) .....45  
 Motor / motor brake Compax3M (axis controller) .....47  
 X14 Safety technology option S1 for Compax3M (axis controller) .....48  
 Safety technology option S3 for Compax3M (axis controller) .....48

#### 3.5.1. Front connector



<b>P</b>	<b>PSUP Mains module</b>
LED1	Status LEDs Mains module
S1	Basic address
X3	Configuration interface (USB)
X9	Supply voltage 24VDC
<b>M</b>	<b>Axis controller</b>
LED2	Status LEDs of the axis
S10	Function
X11	Analog/Encoder
X12	Inputs/Outputs
X13	Motor position feedback
X14	Safety technology (Option S1) (replaced by X28 with Option S3)
X15	Motor temperature monitoring
LED3	HEDA LEDs
X20	HEDA in (Option)
X21	HEDA out (Option)
X22	Inputs Outputs (Option M10/12)
X23	Bus (option) connector type depends on the bus system!
X24	Bus (option) depends on the bus system!
LED4	Bus LEDs
S24	Bus settings
1	Behind the yellow protective covers you can find the rails for the supply voltage connection. ♦ Supply voltage 24VDC ♦ DC power voltage supply

### 3.5.2. Connections on the device bottom



**Caution - Risk of Electric Shock!**

Always switch devices off before wiring them!  
Dangerous voltages are still present until 10 min. after switching off the power supply.



**Caution!**

When the control voltage is missing there is no indication whether or not high voltage supply is available.



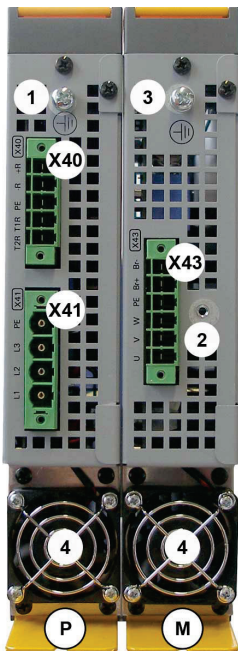
**Attention - PE connection!**

PE connection with 10mm<sup>2</sup> via a grounding screw at the bottom of the device.



**Attention - hot surface!**

The heat dissipater can reach very high temperatures (>70°C)



P	Mains module PSUP
X40	Ballast resistor
X41	Mains supply VAC/PE
1	Central ground connection for the axis system, with 10mm <sup>2</sup> to the ground screw on the housing.
4	Fan*
M	Axis controller
X43	Motor / Brake
2	Fixing for motor shield clamp
4	Fan*
3	optionally, the axis controller features a ground screw on the housing, if the grounding is not possible via the back plate.

\* is internally supplied.

**Line cross-sections of the power connections (on the device bottoms)**

Compax3 device:	Cross-section: Minimum... Maximum [with conductor sleeve]
M050, M100, M150	0.25 ... 4 mm <sup>2</sup> (AWG: 23 ... 11)
M300	0.5 ... 6 mm <sup>2</sup> (AWG: 20 ... 10)
PSUP10	Mains supply: 0.5 ... 6 mm <sup>2</sup> (AWG: 20 ... 10) Braking resistor: 0.25 ... 4 mm <sup>2</sup> (AWG: 23 ... 11)
PSUP20 & PSUP30	Mains supply: 0.5 ... 16 mm <sup>2</sup> (AWG: 20 ... 6) Braking resistor: 0.25 ... 4 mm <sup>2</sup> (AWG: 23 ... 11)

### 3.5.3. Connections of the axis combination

The axis controllers are connected to the supply voltages via rails.

- ◆ Supply voltage 24VDC
- ◆ DC power voltage supply

The rails can be found behind the yellow protective covers. In order to connect the rails of the devices, you may have to remove the yellow plastic device inserted at the side.

#### CAUTION: Risk of Electric Shock



##### Caution - Risk of Electric Shock!

##### Please note before opening:

- ◆ **Warning** - Possible risk of electric shock; disconnect power before removing cover.
- ◆ **Caution!** - Dangerous electric voltage! Respect discharge time.



##### Caution - Risk of Electric Shock!

Always switch devices off before wiring them!

Dangerous voltages are still present until 10 min. after switching off the power supply.



##### Caution!

When the control voltage is missing there is no indication whether or not high voltage supply is available.

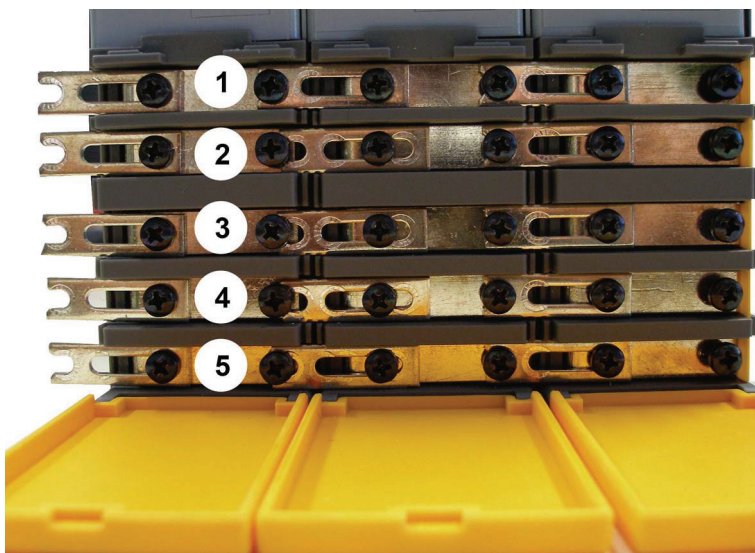
#### Protective seals



##### Caution - Risk of Electric Shock!

In order to secure the contact protection against the alive rails, it is absolutely necessary to respect the following:

- ◆ Insert the yellow plastic comb at the left or right of the rails.  
Make sure that the yellow plastic combs are placed at the left of the first device and at the right of the last device in the system and have not been removed.
- ◆ Setup of the devices only with closed protective covers.



- |   |        |
|---|--------|
| 1 | 24VDC  |
| 2 | GND24V |
| 3 | -HV DC |
| 4 | PE     |
| 5 | +HV DC |

**Note:** External components **may not** be connected to the rail system.

**Maximum capacity in the axis system:**

- ◆ PSUP10: 2400  $\mu\text{F}$
- ◆ PSUP20 & PSUP30: 5000  $\mu\text{F}$

**Reference value for the required capacity in an axis system**

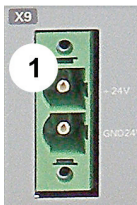
100  $\mu\text{F}$  per kW of the temporal medium value of the total power (transmissions + power dissipation) in the axis system.

**Example: PSUP20 (1175  $\mu\text{F}$ ) with one axis controller (440  $\mu\text{F}$ )**

Total power 15 kW, 100  $\mu\text{F}/\text{kW}$   $\Rightarrow$  1500  $\mu\text{F}$  required in the axis system.  
Axis system: 1615  $\mu\text{F}$  are sufficient.

**Protective seals****Caution!**

The user is responsible for protective covers and/or additional safety measures in order to prevent damages to persons and electric accidents.

**3.5.4. Control voltage 24VDC PSUP (mains module)****Connector X9**

Pin	Designation
1	+24 V
2	GND24V

Line cross sections:  
minimum: 0.5mm<sup>2</sup> with conductor sleeve  
maximum: 6mm<sup>2</sup> with conductor sleeve  
(AWG: 20 ... 10)

**Control voltage 24 VDC PSUP**

Device type	PSUP
Voltage range	21 - 27VDC
Ripple	0.5Vpp
Requirement according to safe extra low voltage (SELV)	yes (class 2 mains module)
Current drain PSUP	PSUP10: 0.2A PSUP20 / PSUP30: 0.3A
Electric current drain Compax3M	C3M050D6: 0.85 3M100D6: 0.85A C3M150D6: 0.85A C3M300D6: 1.0 A + Total load of the digital outputs + current for the motor holding brake

### 3.5.5. Mains supply PSUP (mains module) X41

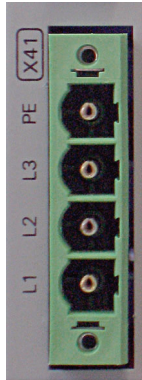
**Device protection**

By cyclically switching on and off the power voltage, the input current limitation can be overloaded, which may cause damage to the device.

**Wait at least one minute between two switching on processes!**

**Operation of the PSUP30 only with mains filter!**

**Connector X41**



Pin	Designation
PE	Earth conductor
L3	Phase 3
L2	Phase 2
L1	Phase 1

**Mains connection PSUP10D6**

Device type PSUP10	230V	400V	480V
<b>Supply voltage</b>	230VAC ±10% 50-60Hz	400VAC ±10% 50-60Hz	480VAC ±10% 50-60Hz
<b>Rated voltage</b>	3AC 230V	3AC 400V	3AC 480V
<b>Input current</b>	22Arms	22Arms	18Arms
<b>Output Voltage</b>	325VDC ±10%	565VDC ±10%	680VDC ±10%
<b>Output power</b>	6kW	10 kW	10 kW
<b>Pulse power (&lt;5s)</b>	12kW	20kW	20kW
<b>Heat dissipation</b>	60W	60W	60W
<b>Maximum fuse rating per device</b>	Measure for line and device protection: MCB miniature circuit breaker (K characteristic) 25A in accordance with UL category DIVQ Recommendation: (ABB) S203UP-K25 (480VAC)		

**Mains connection PSUP20D6**

Device type PSUP20	230V	400V	480V
<b>Supply voltage</b>	230VAC ±10% 50-60Hz	400VAC ±10% 50-60Hz	480VAC ±10% 50-60Hz
<b>Rated voltage</b>	3AC 230V	3AC 400V	3AC 480V
<b>Input current</b>	44Arms	44Arms	35Arms
<b>Output Voltage</b>	325VDC ±10%	565VDC ±10%	680VDC ±10%
<b>Output power</b>	12kW	20kW	20kW
<b>Pulse power (&lt;5s)</b>	24kW	40kW	40kW
<b>Heat dissipation</b>	120W	120W	120W
<b>Maximum fuse rating per device 2 special purpose fuses in line are required</b>	<b>Cable protection measure:</b> MCB (K characteristic) with a rating of 50A / 4xxVAC (depending on the input voltage) Recommendation: (ABB) S203U-K50 (440VAC) <b>Device protection measure:</b> Circuit breakers 80A / 700VAC per supply leg in accordance with UL category JFHR2 Requirement: Bussmann 170M1366 or 170M1566D		



**PSUP30D6 Mains connection**

Device type PSUP30	230V	400V	480V
Supply voltage	230VAC ±10% 50-60Hz	400VAC ±10% 50-60Hz	480VAC ±10% 50-60Hz
Rated voltage	3AC 230V	3AC 400V	3AC 480V
Input current	50Arms	50Arms	42Arms
Output Voltage	325VDC ±10%	565VDC ±10%	680VDC ±10%
Output power	17kW	30kW	30kW
Pulse power (<5s)	34kW	60kW	60kW
Heat dissipation	140W	140W	140W
Maximum fuse rating per device 2 special purpose fuses in line are required	<b>Cable protection measure:</b> MCB (K characteristic) with a rating of 63A / 4xVAC (depending on the input voltage) Recommendation: (ABB) S203U-K63 (440VAC) <b>Device protection measure:</b> Circuit breakers 125A / 700VAC per supply leg in accordance with UL category JFHR2 Requirement: Bussmann 170M1368 or 170M1568D		

**Caution!**

*Only three-phase operation of the PSUP devices is permitted!*

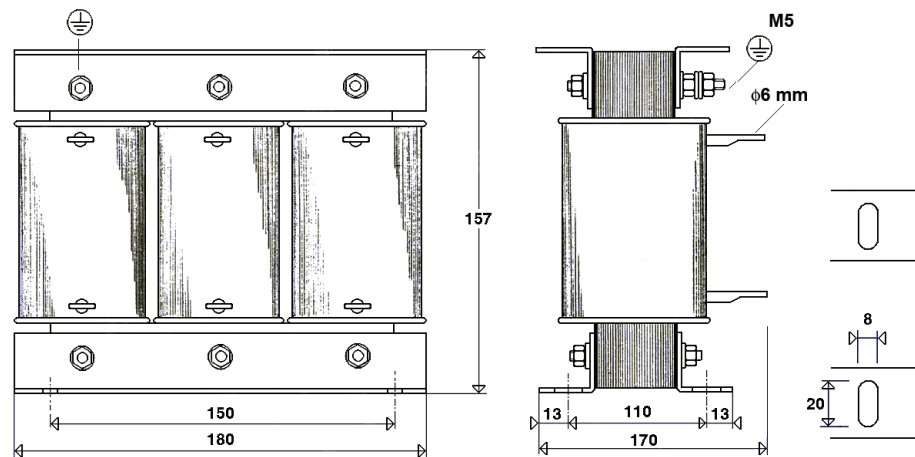
*The PSUP30 mains module may only be operated with mains filter (see on page 172)*

**Required mains filter for the PSUP30:** 0.45 mH / 55 A

We offer the following mains filters:

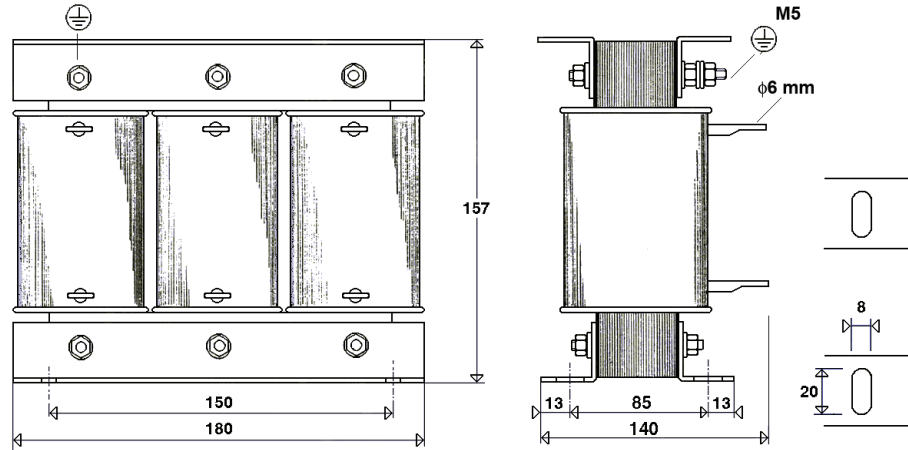
- ◆ LCG-0055-0.45 mH (WxDxH: 180 mm x 140 mm x 157 mm; 10 kg)
- ◆ LCG-0055-0.45 mH-UL (with UL approval) (WxDxH: 180 mm x 170 mm x 157 mm; 15 kg)

**Dimensional drawing: LCG-0055-0.45 mH**





Dimensional drawing: LCG-0055-0.45 mH-UL



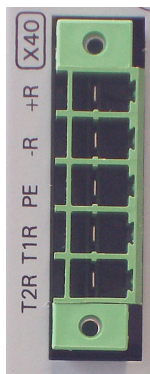
**Caution - Risk of Electric Shock!**

Always switch devices off before wiring them!  
 Dangerous voltages are still present until 10 min. after switching off the power supply.

**3.5.6. Braking resistor / temperature switch PSUP (mains module)**

The energy generated during braking operation must be dissipated via a braking resistor.

**Connector X40**



Pin	Description	
+R	+ Braking resistor	short-circuit proof!
-R	- Braking resistor	
PE	PE	
T1R	Temperature Switch	
T2R	Temperature Switch	

**Braking operation PSUPxxD6 (mains module)**

Device type	PSUP10	PSUP20	PSUP30
<b>Capacitance / storable energy</b>	550 µF/ 92 Ws at 400 V 53 Ws at 480 V	1175 µF/ 197 Ws at 400 V 114 Ws at 480 V	1175 µF/ 197 Ws at 400 V 114 Ws at 480 V
<b>Minimum braking-resistance</b>	27 Ω	15 Ω	10 Ω
<b>Recommended nominal power rating</b>	500 ... 1500 W	500 ... 3500 W	500 ... 5000 W
<b>Pulse power rating for 1s</b>	22 kW	40 kW	60 kW
<b>Maximum permissible continuous current</b>	13 A	15 A	15 A

**Maximum capacity in the axis system:**

- ◆ PSUP10: 2400 µF
- ◆ PSUP20 & PSUP30: 5000 µF

**Reference value for the required capacity in an axis system**

100  $\mu\text{F}$  per kW of the temporal medium value of the total power (transmissions + power dissipation) in the axis system.

**Example: PSUP20 (1175  $\mu\text{F}$ ) with one axis controller (440  $\mu\text{F}$ )**

Total power 15 kW, 100  $\mu\text{F}/\text{kW} \Rightarrow 1500 \mu\text{F}$  required in the axis system.  
Axis system: 1615  $\mu\text{F}$  are sufficient.

**Connection of a braking resistor on PSUP (mains module)**

Minimum line cross section: 1.5 mm<sup>2</sup>  
Maximum line length: 2 m  
Maximum intermediate circuit voltage: 810 VDC  
Switch-on threshold: 780 VDC  
Hysteresis 20 VDC

**Braking operation Compax3MxxxD6 (axis controller)**

Device type Compax3	M050	M100	M150	M300
Capacity/ storable energy	110 $\mu\text{F}$ / 18Ws at 400V 10Ws at 480V	220 $\mu\text{F}$ / 37Ws at 400V 21Ws at 480V	220 $\mu\text{F}$ / 37Ws at 400V 21Ws at 480V	440 $\mu\text{F}$ / 74Ws at 400V 42Ws at 480V

**3.5.6.1 Temperature switch PSUP (mains module)****Connector X40 Pin T1R, T2R****Temperature monitoring:**

The temperature switch (normally closed contact) must be connected, unless an error message will be issued.

**Temperature switch/relay**

No galvanic separation, the temperature sensor (normally closed contact) must comply with the safe separation according to EN 60664.

If there is no temperature monitoring due to the connected braking resistor, the T1R and T2R connections must be connected by a jumper.

**Caution!**

Without temperature monitoring, the braking resistor might be destroyed.

### 3.5.7. Motor / motor brake Compax3M (axis controller)

#### Connector X43



Compax3M motor cable

PIN	Designation	Motor cable lead designation*		
BR-	Motor holding brake *	BK	5	Br2
BR+	Motor holding brake *	WH	4	Br1
PE	PE (motor)	YE / GN	YE / GN	YE / GN
W	W (motor)	W / L3 / D / L-	3	U3
V	V (motor)	V / L2	2	U2
U	U (motor)	U / L1 / C / L+	1	U1

\* depending on the cable type

<80m per axis (the cable must not be rolled up!)

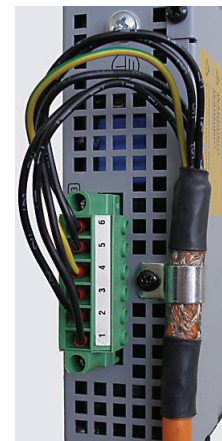
The entire length of the motor cable per axis combination may not exceed 300m. A **motor output filter** (see on page 170) is required for motor cables >20 m:

- ◆ MDR01/04 (max. 6.3 A rated motor current)
- ◆ MDR01/01 (max. 16 A rated motor current)
- ◆ MDR01/02 (max. 30 A rated motor current)

#### Shielding connection of the motor cable

The cable must be fully-screened and connected to the Compax3 housing. Use the cable clamps/shield connecting terminals furnished with the device.

The shield of the cable must also be connected with the motor housing. The fixing (via plug or screw in the terminal box) depends on the motor type.



Motor cables can be found in the accessories chapter of the device description.

#### Motor holding brake output

Motor holding brake output	Compax3
Voltage range	21 – 27VDC
Maximum output current (short circuit proof)	1.6A



#### Attention - Please wire the motor holding brake!

Connect the brake only on motors which have a holding brake! Otherwise make no brake connections at all.

#### Requirements cables for motor holding brake

If a motor holding brake is present, **one cable** of the motor holding brake must be fed on the device side through the toroidal core ferrite provided as accessory ZBH0x/xx (63Ω @1MHz, di=5.1mm), in order to ensure error-free switching on and off of the motor holding brake.

### 3.5.7.1 Measurement of the motor temperature of Compax3M (axis controller)

#### Connector X15

The acquisition of the motor temperature by the axis controller can either take place via the connection of X15 (Tmot) or via the feedback cable and the corresponding connection on X13 PIN10.



Pin	Description
1	+5V
2	Sensor

The temperature acquisition on X15 Tmot can not be connected at the same time as X13 Pin 10.

### 3.5.8. X14 Safety technology option S1 for Compax3M (axis controller)

#### Connector X14 (Not available with Safety option S3)



Pin	Description	
1	STO1/	+24VDC
2	STO-GND	GND
3	STO2/	+24VDC
4	STO-GND	GND



**Note!**

If the Compax3M axis controller features a safety option, these connections must also be wired, otherwise it is not possible to set up the axis.

### 3.5.9. Safety technology option S3 for Compax3M (axis controller)

For a description of the S3 safety option, please refer to the following manuals:

- ◆ 192-120210 Installation Manual Safety Option S3 for Compax3M
- ◆ 192-120211 Programming Manual Safety Option S3 for Compax3M
- ◆ 192-120212 Description of the Standard I/O Profile R0110001xx for Option S3 (Compax3M)

These manuals can be found on the Compax3 DVD in the ""Safety\_Option\_S3"" folder.

## 3.6 Connections of Compax3H

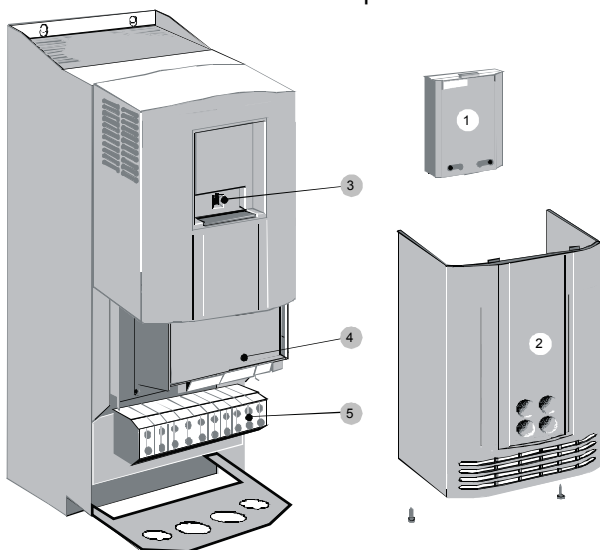
### In this chapter you can read about:

Compax3H plugs/connections .....	49
Connection of the power voltage.....	50
Compax3H connections front plate .....	51
Plug and pin assignment C3H .....	52
Motor / Motor brake C3H .....	54
Control voltage 24 VDC C3H .....	55
Mains connection Compax3H .....	55
Braking resistor / supply voltage C3H .....	56

### 3.6.1. Compax3H plugs/connections

The following figure is an example for all sizes.

The fitting of the different controller plugs depends on the extension level of Compax3.



- (1): Dummy cover with display of the **external** device status LEDs.
- (2): lower clamp cover, fixed by 2 screws at the device bottom.
- (3): RS232 programming interface  
Connection to the PC via adapter cable SSK32/20 (furnished with the device) and standard RS232 cable SSK1.
- (4): Control
- (5): Power connections



**Always switch devices off before wiring them!**

**Dangerous voltages are still present until 5 minutes after switching off the power supply!**



#### **Caution!**

If the control voltage is missing and if the X10-X10 jumper is not fitted (VBK17/01) on the control part, the availability of power voltage is not displayed.



#### **PE connection**

PE connection with 10mm<sup>2</sup> via a grounding screw at the bottom of the device.



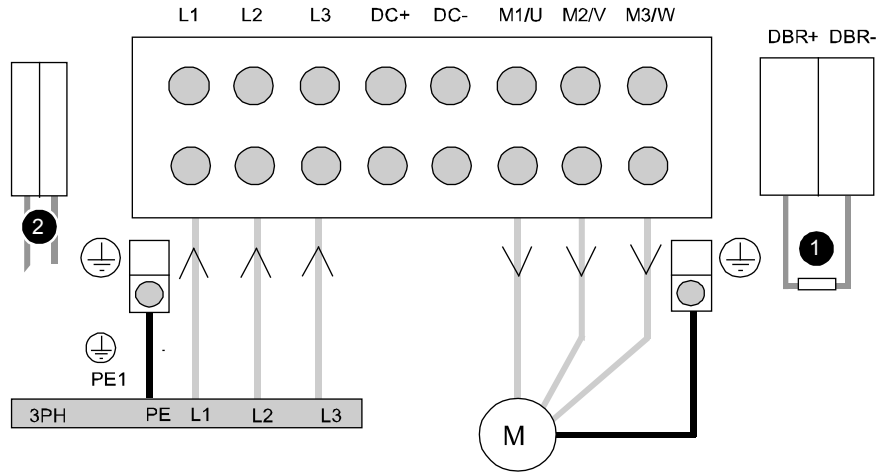
#### **Attention hot surface!**

Metal parts can heat up to a temperature of 90°C during operation.

### 3.6.2. Connection of the power voltage

The terminal block of the drive can be found under the front cover. It is secured with 2 screws at the bottom of the device. Remove the bottom cover in order to access the connection clamps.  
 Make sure that all live parts are covered by the housing after installation.

**Illustration of the connection clamps exemplarily for all sizes:**



- L1, L2, L3: 3 phase mains connection
- M1, M2, M3: Motor connections
- DC+, DC-: DC link voltage
- (1) DBR+ and DBR-: Connection of external braking resistor
- (2) AUX1, AUX2: only with C3H1xxV4 external supply (AC) for device ventilator L, N

- ◆ All shields must be connected via a cable joint to the cable feed through plate.
- ◆ Braking resistor and cable must be shielded if they are not installed in a control cabinet.
- ◆ The standard connection clamps of C3H090V4 and C3H1xxV4 are **not** suitable for flat line bars.

Attention: The MOT/TEMP connection is not supported by the Compax3H050; do therefore not wire this connection!

**Terminal clamps - max. line cross sections**

The line cross sections must correspond to the locally valid safety regulations. The local regulations have always priority.

	Power clamps (minimum/maximum section)	
<b>C3H050V4</b>	2.5 / 16mm <sup>2</sup>	
	Massive	Multiwire
<b>C3H090V4</b>	16 / 50mm <sup>2</sup>	25 / 50mm <sup>2</sup>
<b>C3H1xxV4</b>	25 / 95mm <sup>2</sup>	35 / 95mm <sup>2</sup>

**The standard connection clamps of Compax3H090V4 and Compax3H1xxV4 are not suitable for flat line bars.**

Cover plate for cable feed through

**The cable feed through holes have the following dimensions:**

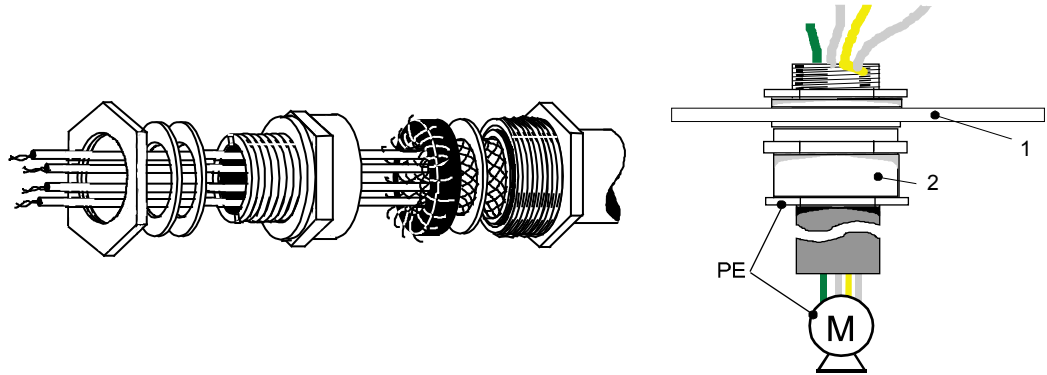
<b>C3H050V4</b>	28.6mm for M20, PG16 and 1/2" NPT (America). 37.3mm for M32, PG29 and 1" NPT (America).
<b>C3H090V4</b>	22.8mm for M20, PG16 and 1/2" NPT (America). 28.6mm for M25, PG21 and 3/4" NPT (America). 47.3mm for M40, PG36 and 1 1/4" NPT (America). 54.3mm for M50, PG42 and 1 1/2" NPT (America).
<b>C3H1xxV4</b>	22.8mm for M20, PG16 and 1/2" NPT (America) 28.6mm for M25, PG21 and 3/4" NPT (America)

**Recommended tightening torques**

	High voltage supply	Ballast resistor	Grounding
<b>C3H050V4</b>	4Nm / 35lb-in	4Nm / 35lb-in	4.5Nm / 40lb-in
<b>C3H090V4</b>	6-8Nm / 53-70lb-in	6-8Nm / 53-70lb-in	6-8Nm / 53-70lb-in
<b>C3H1xxV4</b>	15-20Nm / 132-177lb-in	0.7Nm / 6.1lb-in	42Nm / 375lb-in

**cable glands**

Use metallic cable joints permitting a 360° shielding in order to comply with the EMC directive.



- 1: Cable feed through plate
- 2: metallic joint with 360° shielding for EMC compliant design

The device must be grounded without interruption according to EN 61800-5-1. The mains supply lines must be protected with a suitable fuse or a circuit breaker (FI switches or earth fault fuses are not recommended).

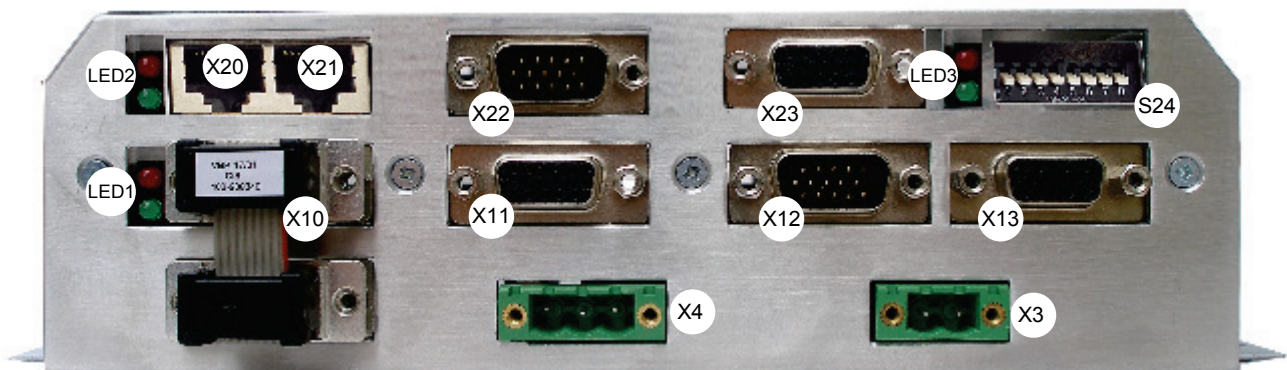
For installation in accordance with EN 61800-5-1 mm Europe:

- ◆ For grounding without interruption, two separate protective leads (² cross-section) or one lead (>10mm² cross-section) are required. Each protective lead must meet the requirements according to EN 60204.

**3.6.3. Compax3H connections front plate**

**Communication and signal interfaces**

Showcase front plate of the control (number of connectors depends on the extension level of the Compax3)

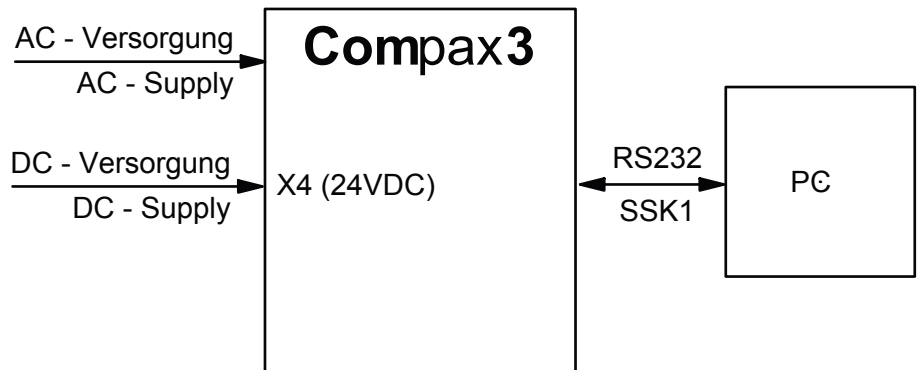


<b>X3</b>	Motor brake	<b>X20</b>	HEDA in (Option)
<b>X4</b>	24VDC	<b>X21</b>	HEDA out (Option)
<b>X10</b>	RS232/RS485 with jumper to the programming interface	<b>X22</b>	Inputs Outputs (Option M10/12)
<b>X11</b>	Analog/Encoder	<b>X23</b>	Bus (Option) Connector type depends on the bus system!
<b>X12</b>	Inputs/Outputs	<b>S24</b>	Bus settings
<b>X13</b>	Motor position feedback	<b>LED1</b>	Device status LEDs
		<b>LED2</b>	HEDA LEDs
		<b>LED3</b>	Bus LEDs

**Note on Compax3H:** The **internal** device status LEDs are only connected to the **external** housing LEDs, if the RS232 jumper at X10 is fitted to the control and the upper dummy cover is fitted.  
 The RS232 programming interface under the upper dummy cover is only available if the X10 jumper at the controller is fitted.

### 3.6.4. Plug and pin assignment C3H

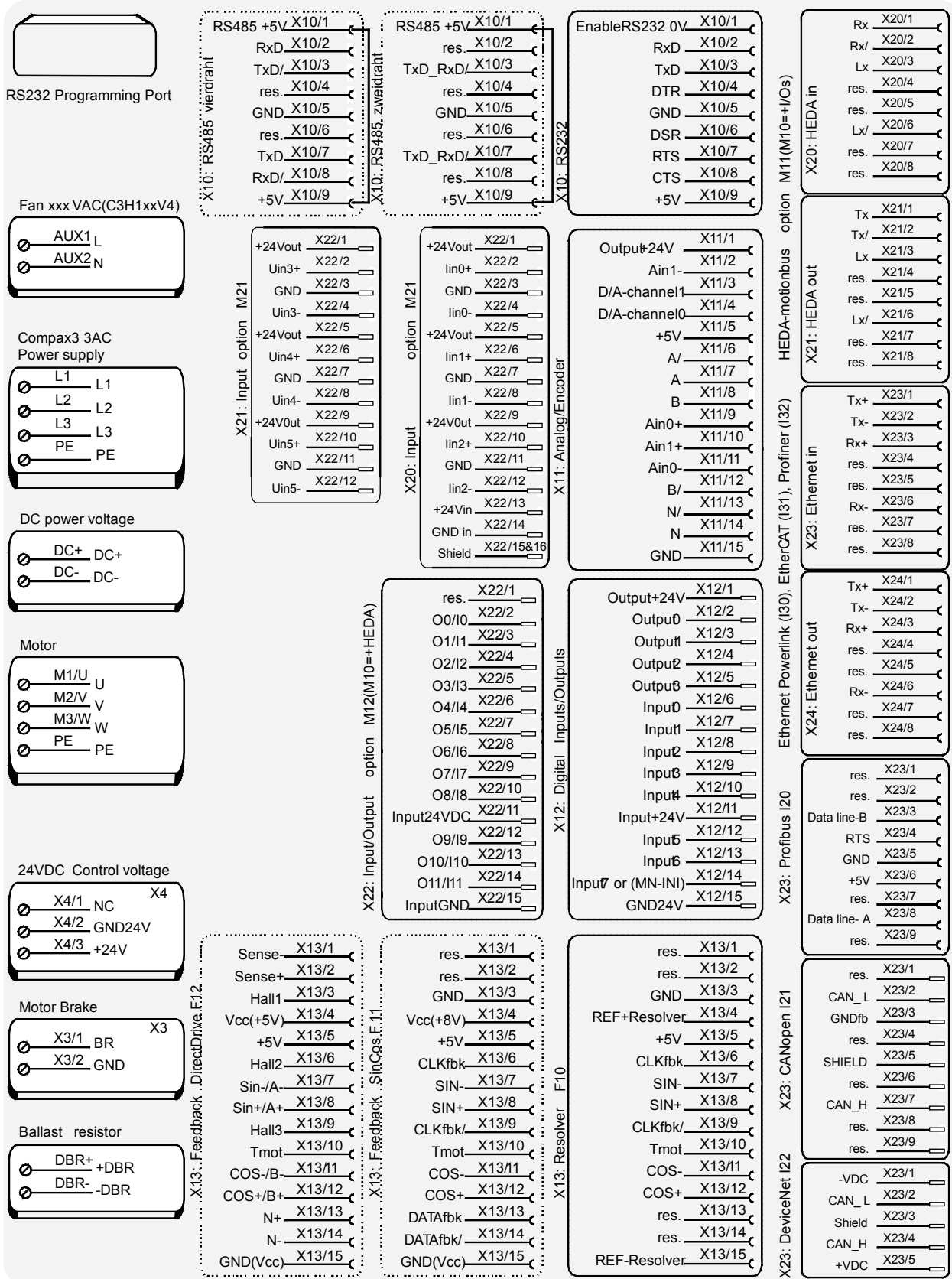
Overview



Further information on the assignment of the plug mounted at the particular device can be found below!



**In detail:** The fitting of the different plugs depends on the extension level of Compax3. In part, the assignment depends on the Compax3 option implemented.



**Please note**

The RS232 programming interface under the upper dummy cover is only available if the X10 jumper at the controller is fitted.  
 C3H1xxV4 uses a ventilator fan which must be externally supplied via separate connections. The ventilator fan is available in two versions for single phase feed: 220/240VAC; 110/120VAC

### 3.6.5. Motor / Motor brake C3H

**Compax3H motor cable**

A motor output filter is required for motor cables >50m. Please contact us.

**Shielding connection of the motor cable**

**The motor cable should be fully shielded and connected to the Compax3 housing.**  
**The shield of the motor cable must also be connected with the motor housing. The fixing (via plug or screw in the terminal box) depends on the motor type. Motor connection clamps figure (see on page 50)**

PIN	Designation	Motor cable lead designation*		
M1/U	U (motor)	U / L1 / C / L+	1	U1
M2/V	V (motor)	V / L2	2	U2
M3/W	W (motor)	W / L3 / D / L-	3	U3
PE	PE (motor)	YE / GN	YE / GN	YE / GN

\* depending on the cable type

**Compax3H motor cable**

A motor output filter is required for motor cables >50m. Please contact us.

**Shielding connection of the motor cable**

The motor cable should be fully shielded and connected to the Compax3 housing. The shield of the motor cable must also be connected with the motor housing. The fixing (via plug or screw in the terminal box) depends on the motor type.

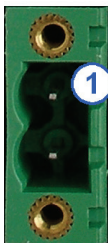


**Attention - Please wire the motor holding brake!**

Connect the brake only on motors which have a holding brake! Otherwise make no brake connections at all.

**Requirements cables for motor holding brake**

If a motor holding brake is present, **one cable** of the motor holding brake must be fed on the device side through the toroidal core ferrite provided as accessory ZBH0x/xx (63Ω @1MHz, di=5.1mm), in order to ensure error-free switching on and off of the motor holding brake.



**Connection of motor brake X3 figure (see on page 51)**

PIN	Designation	Motor cable lead designation*		
1	BR	WH	4	Br1
2	GND	BK	5	Br2

**Motor holding brake output**

Motor holding brake output	Compax3
Voltage range	21 – 27VDC
Maximum output current (short circuit proof)	1.6A

### 3.6.6. Control voltage 24 VDC C3H



Connection of control voltage 24VDC figure (see on page 51)

Connector X4 Pin	Description	
1	NC	NC
2	GND24V	GND
3	+24 V	24 VDC (power supply)

#### Control voltage 24VDC Compax3S and Compax3H

Controller type	Compax3
Voltage range	21 - 27VDC
Current drain of the device	0.8 A
Total current drain	0.8 A + Total load of the digital outputs + current for the motor holding brake
Ripple	0.5Vpp
Requirement according to safe extra low voltage (SELV)	yes
Short-circuit proof	conditional (internally protected with 3.15AT)

### 3.6.7. Mains connection Compax3H

Device protection

Avoid permanent switching on and off so that the charging connection is not overloaded. Therefore wait at least 1 minute before switching on the device again.

Connection of mains voltage figure (see on page 50)

#### Mains connection Compax3HxxxV4 3\*400VAC

Device type Compax3	H050V4	H090V4	H125V4	H155V4
Continuous working voltage	Three-phase 3*400VAC 350-528VAC / 50-60Hz			
Receiver current consumption	66Arms	95Arms	143Arms	164Arms
Output current	50Arms	90Arms	125Arms	155Arms
Maximum input fuse rating per device	80A	100A	160A	200A
Recommended line protection in accordance with UL	JDDZ Class K5 or H JDRX Class H			

#### Mains connection Compax3HxxxV4 3\*480VAC

Device type Compax3	H050V4	H090V4	H125V4	H155V4
Continuous working voltage	Three-phase 3*480VAC 350-528VAC / 50-60Hz			
Receiver current consumption	54Arms	82Arms	118Arms	140Arms
Output current	43Arms	85Arms	110Arms	132Arms
Maximum input fuse rating per device	80A	100A	160A	200A
Recommended line protection in accordance with UL	JDDZ Class K5 or H JDRX Class H			

### 3.6.8. Braking resistor / supply voltage C3H

The energy generated during braking operation is absorbed by the Compax3 storage capacity.

If this capacity is too small, the braking energy must be drained via a braking resistor.

#### 3.6.8.1 Connect braking resistor C3H

Connection of braking resistor figure (see on page 50)

PIN	Designation
DBR+	+ Braking resistor
DBR-	- Braking resistor

#### Braking operation of Compax3HxxxV4

Controller type	H050V4	H090V4	H125V4	H155V4
Capacitance / storable energy 400V / 480V	2600 $\mu$ F 602 / 419 Ws	3150 $\mu$ F 729 / 507 Ws	5000 $\mu$ F 1158 / 806 Ws	5000 $\mu$ F 1158 / 806 Ws
Minimum braking- resistance	24 $\Omega$	15 $\Omega$	8 $\Omega$	8 $\Omega$
Maximum continuous current	11 A	17 A	31 A	31 A

Minimum line cross section: 2.5mm<sup>2</sup>  
 Maximum line length: 2m  
 Maximum output voltage: 830VDC

#### 3.6.8.2 Power supply voltage DC C3H

Connection of power voltage DC -figure (see on page 50)

PIN	Description
DC+	+ DC high voltage supply
DC-	- DC high voltage supply



#### **Warning!**

*Do not connect any braking resistor on DC+/DC- .*

#### 3.6.8.3 Connection of the power voltage of 2 C3H 3AC devices

In order to improve the conditions during brake operation, the DC power voltage of 2 servo axes may be connected.

The capacity as well as the storable energy are increased; furthermore the braking energy of one servo axis may be utilized by a second servo axis, depending on the application.



**It is not permitted to connect the power voltage in order to use one brake circuit for two servo axes, as this function cannot be ensured reliably.**

#### Note the following:

**Caution! In case of non-compliance with the following instructions, the device may be destroyed!**

- ◆ You can only connect two similar servo axes (same power supply; same rated currents)
- ◆ Connected servo axes must always be fed separately via the AC power supply.
- ◆ If the external pre-fuse of one of the servo axes takes action, the second servo axis must also be disconnected automatically.

**Please connect as follows:**

Servo axis 1 DC+ with servo axis 2 DC+

Servo axis 1 DC- with servo axis 2 DC-

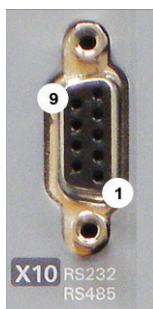
- figure (see on page 50)

## 3.7 Communication interfaces

**In this chapter you can read about:**

RS232 / RS485 interface (plug X10).....	57
Communication Compax3M.....	58

### 3.7.1. RS232 / RS485 interface (plug X10)



Interface selectable by contact functions assignment of X10/1:

X10/1=0V RS232

X10/1=5V RS485

PIN X10	RS232 (Sub D)
1	(Enable RS232) 0V
2	RxD
3	TxD
4	DTR
5	GND
6	DSR
7	RTS
8	CTS
9	+5V
PIN X10	RS485 two wire (Sub D) Pin 1 and 9 jumpered externally
1	Enable RS485 (+5V)
2	res.
3	TxD_RxD/
4	res.
5	GND
6	res.
7	TxD_RxD
8	res.
9	+5V
PIN X10	RS485 four wire (Sub D) Pin 1 and 9 externally jumpered
1	Enable RS485 (+5V)
2	RxD
3	TxD/
4	res.
5	GND
6	res.
7	TxD
8	RxD/
9	+5V

**USB - RS232/RS485 converter**

The following USB - RS232 converters were tested:

- ◆ ATEN UC 232A
- ◆ USB GMUS-03 (available under several company names)
- ◆ USB / RS485: Moxa Uport 1130  
[http://www.moxa.com/product/UPort\\_1130\\_1130I.htm](http://www.moxa.com/product/UPort_1130_1130I.htm)
- ◆ Ethernet/RS232/RS485: NetCom 113 <http://www.vscom.de/666.htm>
- ◆ Exsys Adapter USB to RS232 with FTDI processor (Windows 7)

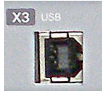
### 3.7.2. Communication Compax3M

In this chapter you can read about:

PC - PSUP (Mains module) .....58  
 Communication in the axis combination (connector X30, X31).....58  
 Adjusting the basic address .....59  
 Setting the axis function.....59

#### 3.7.2.1 PC - PSUP (Mains module)

##### Connector X3



USB2.0

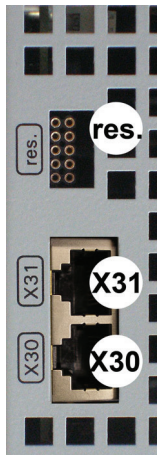
Connect your PC to the USB sleeve X3 of the mains module via an USB cable (SSK33/03).

#### 3.7.2.2 Communication in the axis combination (connector X30, X31)

The communication in the axis combination is implemented via a SSK28 cable and double RJ45 sleeves on the device top.

Beginning with the PSUP (mains module) the connection is always made from X30 to X31 of the next device. On the first device (X31) and the last device (X30) in the multi-axis combination, a bus termination plug (BUS07/01) is required.

Orientation to the back side



Orientation to the front plate

	PSUP (Mains module)
X30	out
X31	in
res.	factory use
	Compax3M (axis)
X30	out
X31	in
res.	factory use

### 3.7.2.3 Adjusting the basic address

On the mains module, the basic address of the device combination is set in steps of 16 with the aid of the first three dip switches.

The mains module contains the set basic address while the axes placed at the right in the combination contain the following addresses.

#### Switch S1

##### Address setting

##### Basic addresses

Switch	Value upon ON
1	16
2	32
3	64

##### Settings:

left: OFF

right: ON

##### Settable value range: 0, 16, 32, 48, 64, 80, 96, 112

Address of the 1st axis = basic address+1

The addresses of the axis controllers are newly assigned after PowerOn.

##### Example:

Basic address = 48; mains module with 6 axis controllers in the combination

1. Axis right: Address = 49

2. Axis right: Address = 50

...

6. Axis right: Address = 54



### 3.7.2.4 Setting the axis function

#### Switch S10

##### Function settings for T30 and T40

The value of switch S10 on the axis controller is stored in object O110.1

C3plus.Switch\_DeviceFunction and can be evaluated with the aid of a program.

This helps realize a more simple function selection.

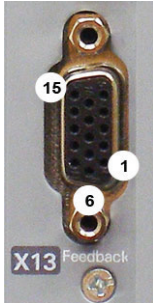


### 3.8 Signal interfaces

In this chapter you can read about:

Resolver / Feedback (connector X13).....60  
 Analogue / encoder (plug X11) .....62  
 Digital inputs/outputs (plug X12) .....63

#### 3.8.1. Resolver / Feedback (connector X13)



**Assignment with feedback F10 (Resolver)**

PIN X13	Feedback /X13 High Density /Sub D
	<b>Resolver (F10)</b>
1	factory use
2	factory use
3	GND
4	REF-Resolver+
5	+5V (for temperature sensor)
6	factory use
7	SIN-
8	SIN+
9	factory use
10	Tmot*
11	COS-
12	COS+
13	factory use
14	factory use
15	REF-Resolver-

**Assignment with feedback F11 (SinCos)**

PIN X13	Feedback /X13 High Density /Sub D
	<b>SinCos (F11)</b>
1	factory use
2	factory use
3	GND
4	Vcc (+8V with Compax3S & Compax3H; +10 V with Compax3M)
5	res+5 V (for temperature sensor)
6	factory use
7	SIN-
8	SIN+
9	factory use
10	Tmot*
11	COS-
12	COS+
13	DATAfbk
14	DATAfbk/
15	GND (Vcc)



**Assignment with feedback F12 (EnDat)**

PIN X13	Feedback /X13 High Density /Sub D		
	EnDat 2.1 & 2.2 with incremental track (Endat01, Endat02)	EnDat 2.1 fully digital (Endat21) (cable length max. 90 m)	EnDat 2.2 fully digital (Endat02, Endat22) (cable length max. 25 m)
1	Sense -*		factory use
2	Sense +*		factory use
3	factory use		
4	Vcc (+5 V) * max. 350 mA load		
5	+5 V (for temperature sensor)		
6	CLKfbk		
7	SIN- / A- (Encoder)	factory use	
8	SIN+ / A+ (Encoder)	factory use	
9	CLKfbk/		
10	Tmot*		
11	COS- / B- (Encoder)	factory use	
12	COS+ / B+ (Encoder)	factory use	
13	DATAfbk		
14	DATAfbk/		
15	GND (Vcc)		

\*X13 Pin10 Tmot may not be connected at the same time as X15 (on Compaxx3M).

**Resolver cables** (see on page 174) can be found in the accessories chapter of the device description.

**SinCos® cables** (see on page 175) can be found in the accessories chapter of the device description.

**EnDat - cable GBK38 (EnDat2.1) and GBK56 (EnDat2.2)** (see on page 158, see on page 175)

**Incremental Feedback (optionally with hall sensors)**

PIN X13	Feedback option F12 / X13 High Density /Sub D
1	Sense -*
2	Sense +*
3	Hall1 (digital)
4	Vcc (+5V)* max. 350 mA load
5	+5 V (for temperature sensors and Hall sensors)
6	Hall2 (digital)
7	SIN-, A- (Encoder) or analog Hall sensor
8	SIN+, A+, (Encoder) or analog Hall sensor
9	Hall3 (digital)
10	Tmot*
11	COS-, B- (Encoder) or analog Hall sensor
12	COS+, B+ (Encoder) or analog Hall sensor
13	N+
14	N-
15	GND (Vcc)

\*X13 Pin10 Tmot may not be connected at the same time as X15 (on Compaxx3M).

**Note on F12:**

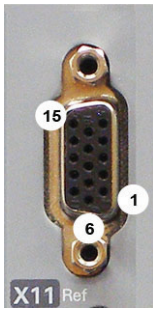
\*+5V (Pin 4) is measured and controlled directly at the end of the line via Sense+ and Sense-.

Cable length max.: 100m

Caution!

- ◆ Pin 4 and Pin 5 must under no circumstances be connected!
- ◆ Plug in or pull out feedback connector only in switched off state (24VDC switched off).

### 3.8.2. Analogue / encoder (plug X11)



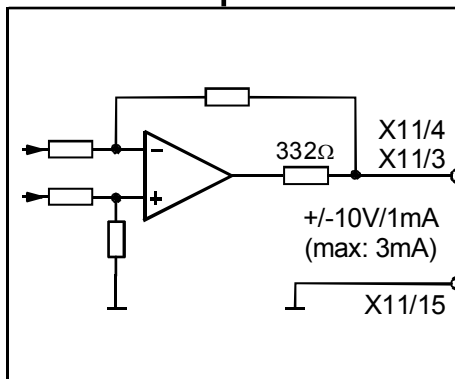
PIN X11	Reference	
<b>High Density Sub D</b>		
1	+24V (output for encoder) max. 70mA	
2	factory use	
3	D/A monitor channel 1 ( $\pm 10V$ , 8-bit resolution)	
4	D/A monitor channel 0 ( $\pm 10V$ , 8-bit resolution)	
5	+5 V (output for encoder) max. 150 mA	
6	- Input: steps RS422 (5V - level)	<b>A/</b> (Encoder- input / -simulation)
7	+ Input: steps RS422 (5V - level)	<b>A</b> (Encoder- input / -simulation)
8	+ Input: direction RS422 (5V - level)	<b>B</b> (Encoder- input / -simulation)
9	Ain0 +: analog setpoint input + (14Bit; +/-10V)	
10	factory use	
11	Ain0 -: analog setpoint input - (14Bit) +/-10V)	
12	- Input: direction RS422 (5V - level)	<b>B/</b> (Encoder- input / -simulation)
13	factory use	<b>N/</b> (Encoder simulation)
14	factory use	<b>N</b> (Encoder simulation)
15	GND	

Encoder simulation exists with an analogue input command interface of  $\pm 10V$ .

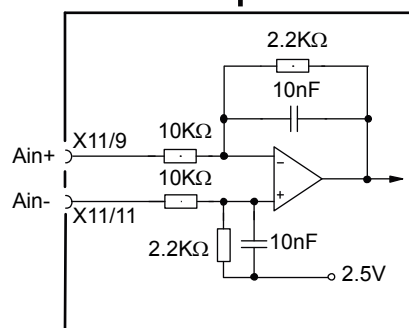
#### 3.8.2.1 Wiring of analog interfaces

Output Input

#### Compax3



#### Compax3

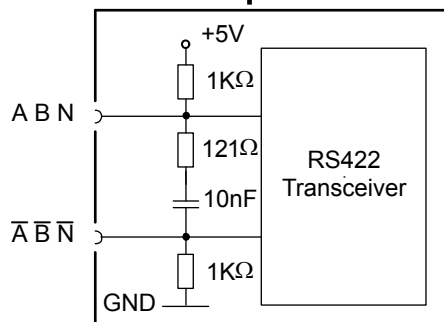


Perform an **offset adjustment** (see on page 133)!

Structure image of the internal signal processing of the analog inputs

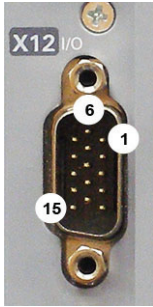
#### 3.8.2.2 Connections of the encoder interface

#### Compax3



The input connection is available in triple (for A & /A, B & /B, N & /N)

### 3.8.3. Digital inputs/outputs (plug X12)



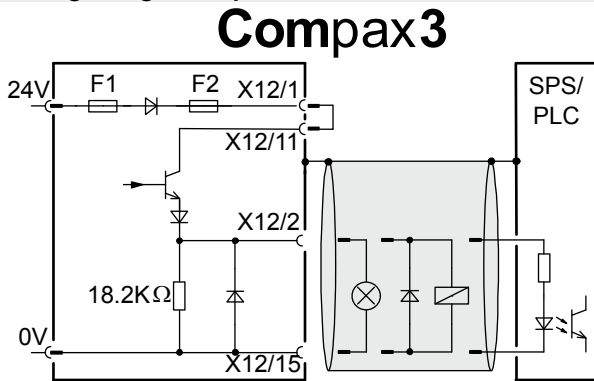
Pin X12/	Input / Output	E/A /X12 High density/Sub D	
1	Output	+24 V DC output (max. 400mA)	
2	O0 = "1"	no error (100 mA max.)	
3	O1 = "1"	Actual value in setpoint window (max. 100mA)	
4	O2 = "1"	Power stage without current (max. 100 mA)	
5	O3 = "1"	Motor energized with a setpoint of 0 (max. 100 mA)	
6	I0 = "1"	<b>Energize motor</b> (see on page 64) & <b>deactivate motor holding brake</b> (see on page 135) Motor stationary in controlled state with setpoint = 0	
7	I1 = "1"	Enable Setpoint value	
8	I2 = "1"	Quit (positive edge)	
9	I3 = "1"	Open brake	
10	I4 = "1"	Keep position / speed 0 only in the " <b>±10V analog current</b> " setpoint" (see on page 103)mode Keep position / speed 0 only in the " <b>±10V analog velocity/speed</b> " setpoint" (see on page 100)mode"	
11	I	24V input for the digital outputs Pins 2 to 5	
12	-	n.c.	Zero pulse
13	I	Step input (24V level)	O (24V level)
14	I	Direction input (24V level)	B (24V level)
15	Output	GND24V	

All inputs and outputs have 24V level.

Maximum capacitive loading of the outputs: 50nF (max. 4 Compax3 inputs)

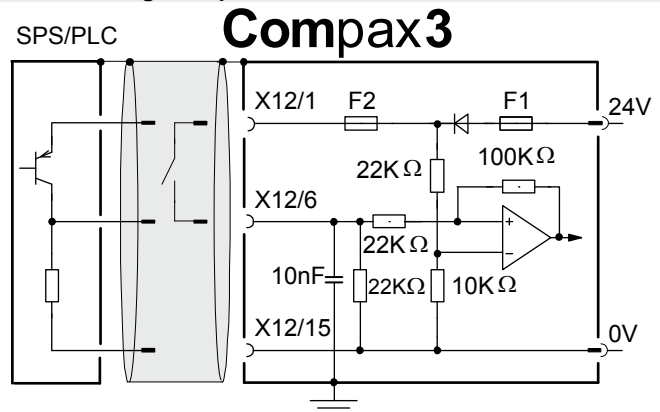
#### 3.8.3.1 Connection of the digital Outputs/Inputs

Wiring of digital outputs



The circuit example is valid for all digital outputs!  
The outputs are short circuit proof; a short circuit generates an error.

Status of digital inputs



The circuit example is valid for all digital inputs!

Signal level:

- ◆ > 9.15V = "1" (38.2% of the control voltage applied)
- ◆ < 8.05V = "0" (33.5% of the control voltage applied)

F1: Delayed action fuse

F2: Quick action electronic fuse; can be reset by switching the 24 VDC supply off and on again.

### 3.8.3.2 Logic proximity switch types

Type	1	2	3	4
Transistor switch	PNP	PNP	NPN	NPN
Logic	(N.O.) "active high"	(N.C) "active low"	(N.O.) "active low"	(N.C) "active high"
Description of logic	Compax3 sees a logical "1" upon activation	Compax3 sees a logical "0" upon activation	Compax3 sees a logical "0" upon activation	Compax3 sees a logical "1" upon activation
Fail safe logic	no	yes	Only conditional <sup>1)</sup>	no
Instruction for pull up resistor in the initiator	-	-	Rmin=3k3 Rmax=10k <sup>2)</sup>	Rmin=3k3 Rmax=10k <sup>2)</sup>
Connections				

<sup>1)</sup> When the connection between transistor emitter of the initiator and X12/15 (GND24V of the Compax3 )is lost, it can not be guaranteed, that the Compax3 detects a logical „0“.

<sup>2)</sup> The INSOR NPN types INHE5212 and INHE5213 manufactured by Schönbuch Electronic do correspond to this specification.

### 3.8.3.3 Energize motor X12/6="24VDC"

This input effects the state of the power stage and therefore that of the motor:  
**X12/6="0V":**

**De-energize motor**

With a rotating motor, this will be decelerated to a speed of 0 via a settable deceleration ramp.

Thereafter current switch-off and **activation of the motor holding brake** (see on page 135).

**X12/6="24 V DC":**

**Energize motor**

**Motor holding brake is deactivated** (see on page 135), current is applied to the motor and the motor is accelerated to the commanded speed setpoint via an adjustable accelerating ramp.

Prerequisite: X12/7 "Enable setpoint" = 24VDC

In response to X12/7 "Enable setpoint" = 0VDC the control loop adjusts to setpoint = 0.

**Setting values for "Energize motor"**

See also **Setpoint control** (see on page 104).

### 3.8.3.4 Command value release X12/7="24VDC"

This input effects the state of the power stage and therefore that of the motor:

X12/7="0V":

#### Set motor to command value=0

With a rotating motor, this will be decelerated to a speed of 0 via a settable deceleration ramp.

X12/7="24 V DC":

#### Current setpoint value active

The motor will be accelerated via a settable acceleration ramp to the predefined setpoint value.

Prerequisite: X12/6 "Energize the motor" = 24VDC

#### Setting values for "Setpoint value release":

See also **Setpoint control** (see on page 104).

### 3.9 Mounting and dimensions

In this chapter you can read about:

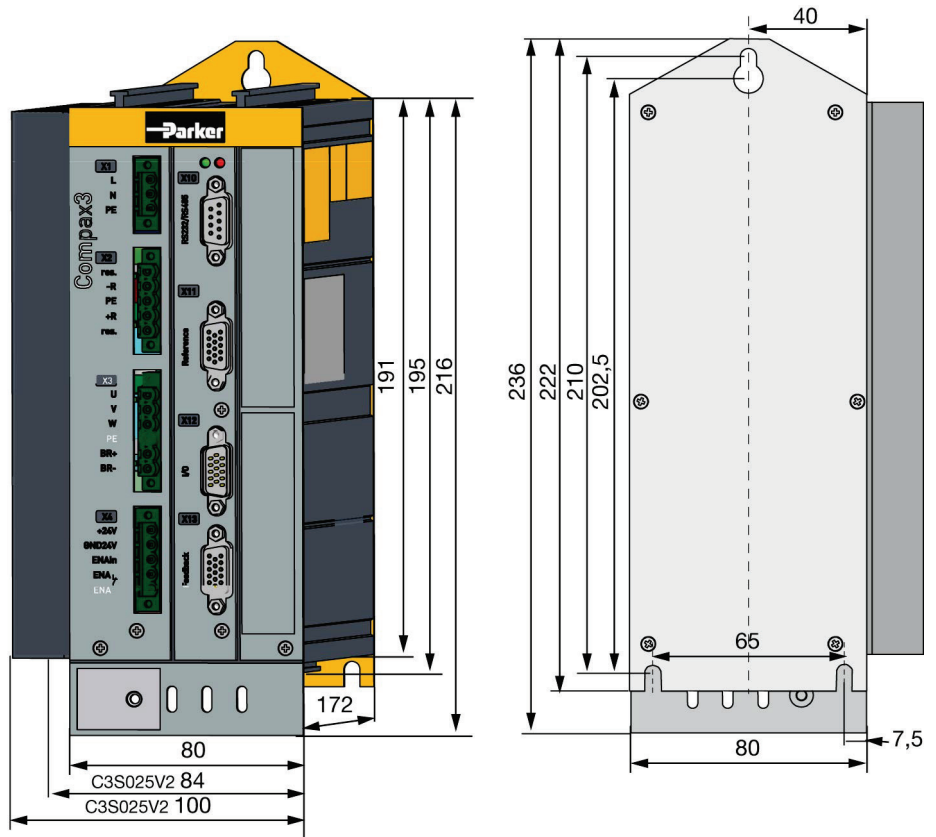
Mounting and dimensions Compax3S.....	66
Mounting and dimensions PSUP/C3M .....	70
Mounting and dimensions C3H.....	72

#### 3.9.1. Mounting and dimensions Compax3S

##### 3.9.1.1 Mounting and dimensions Compax3S0xxV2

**Mounting:**

3 socket head screws M5



Stated in mm

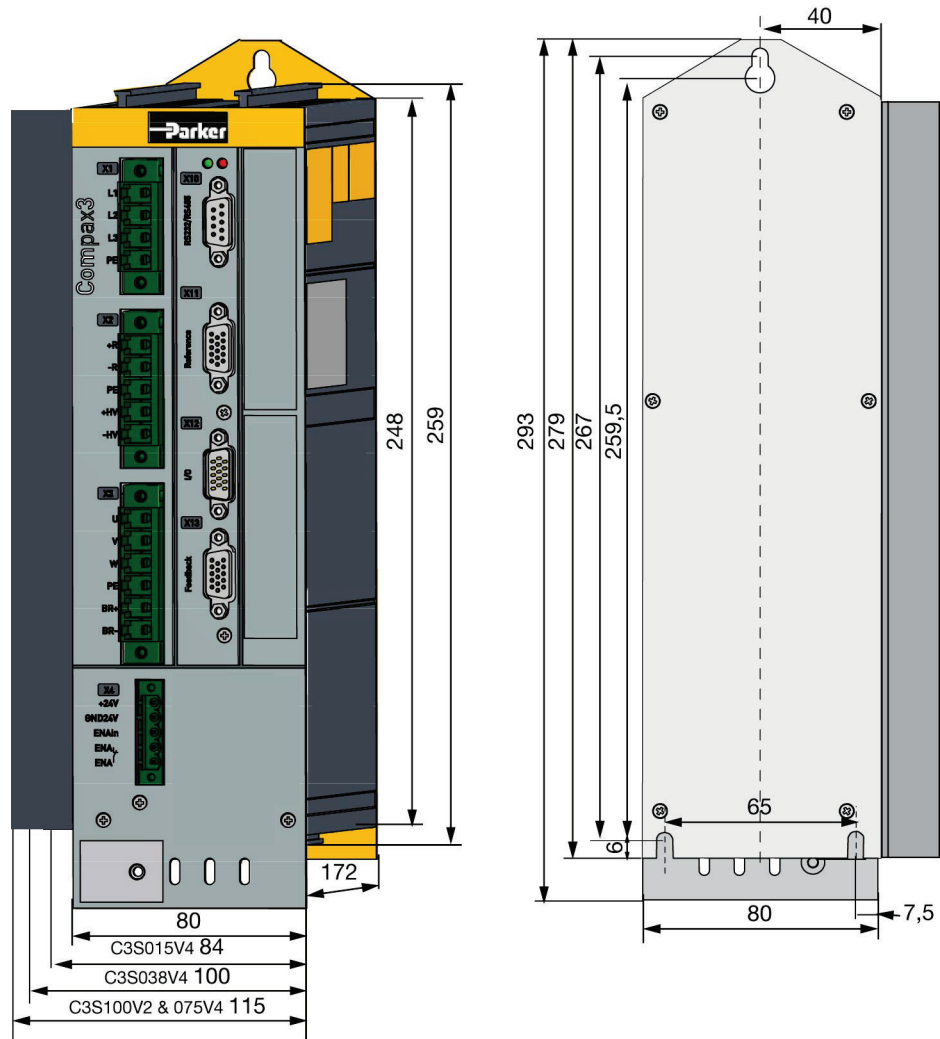
Please respect an appropriate mounting gap in order to ensure sufficient convection:

- ◆ At the side: 15mm
- ◆ At the top and below: at least 100mm

### 3.9.1.2 Mounting and dimensions Compax3S100V2 and S0xxV4

**Mounting:**

3 socket head screws M5



Stated in mm

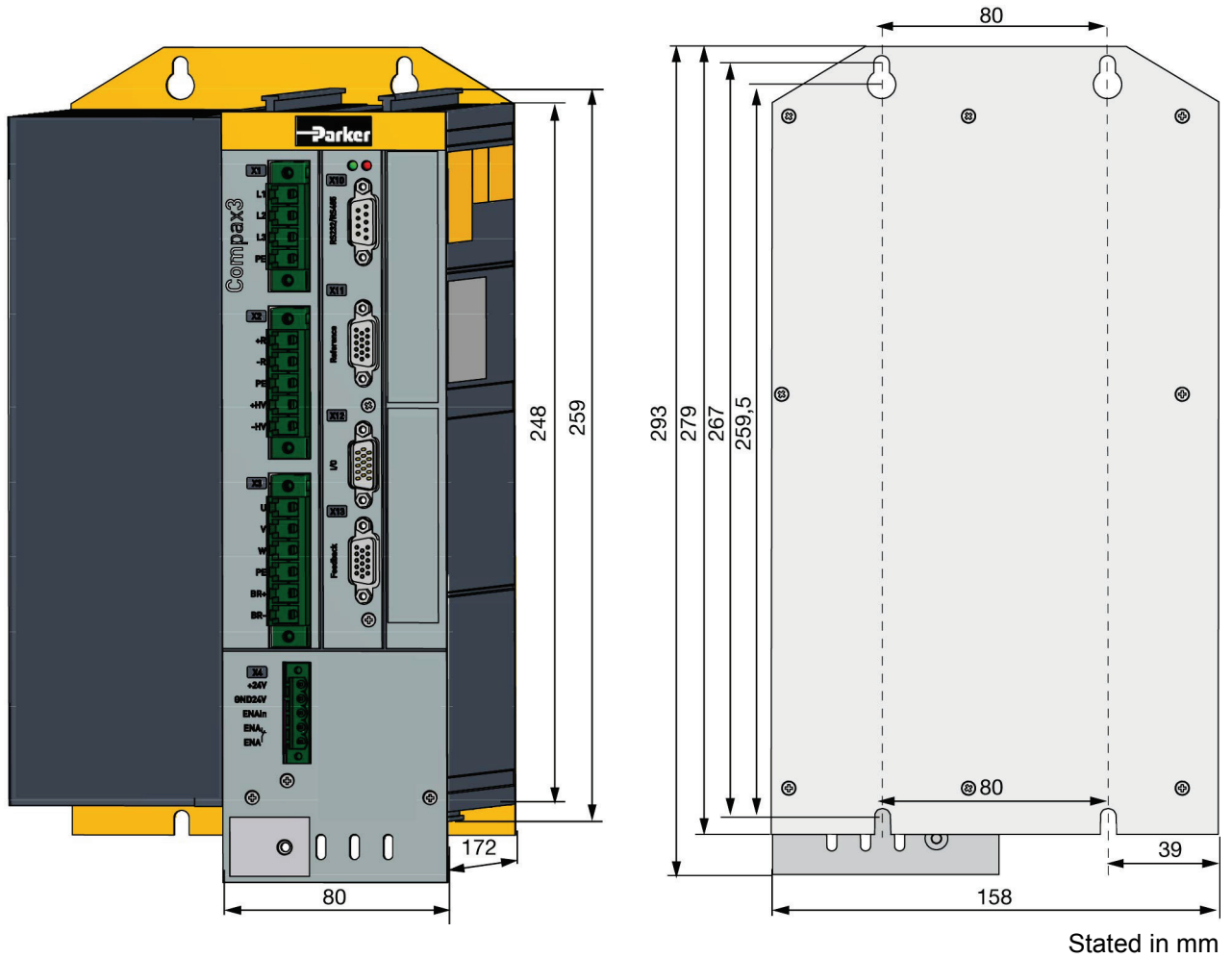
Please respect an appropriate mounting gap in order to ensure sufficient convection:

- ◆ At the side: 15mm
- ◆ At the top and below: at least 100mm

### 3.9.1.3 Mounting and dimensions Compax3S150V2 and S150V4

**Mounting:**

4 socket head screws M5



Please respect an appropriate mounting gap in order to ensure sufficient convection:

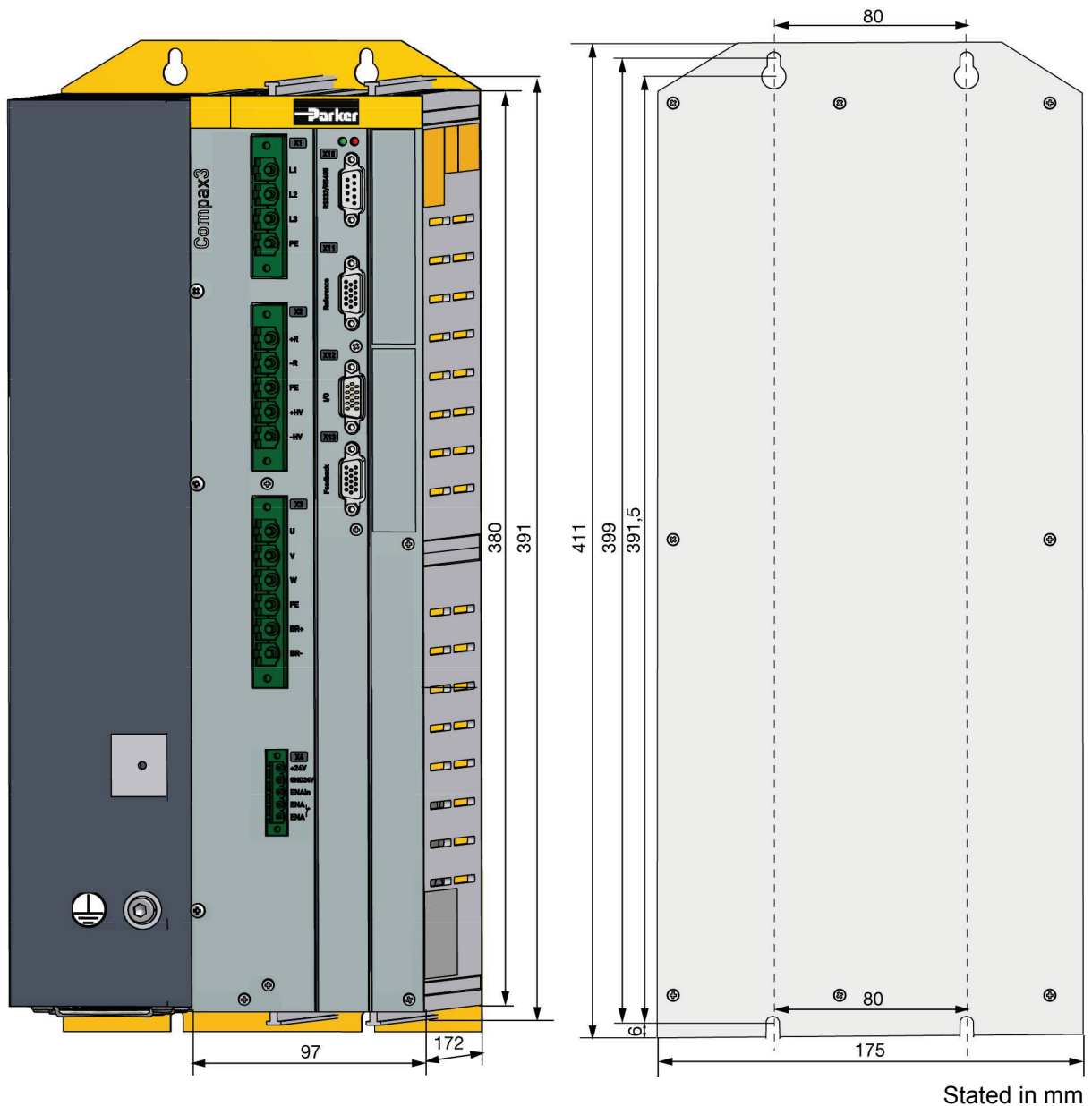
- ◆ At the side: 15mm
- ◆ At the top and below: at least 100mm



### 3.9.1.4 Mounting and dimensions Compax3S300V4

**Mounting:**

4 socket head screws M5



Please respect an appropriate mounting gap in order to ensure sufficient convection:

- ◆ At the side: 15mm
- ◆ At the top and below: at least 100mm

**Compax3S300V4 is force-ventilated via a fan integrated into the heat dissipator!**

### 3.9.2. Mounting and dimensions PSUP/C3M

**Ventilation:** During operation, the device radiates heat (power loss). Please provide for a sufficient mounting distance below and above the device in order to ensure free circulation of the cooling air. Please do also respect the recommended distances of other devices. Make sure that the mounting plate is not exhibited to other temperature influences than that of the devices mounted on this very plate. The devices must be mounted vertically on a level surface. Make sure that all devices are sufficiently fixed.

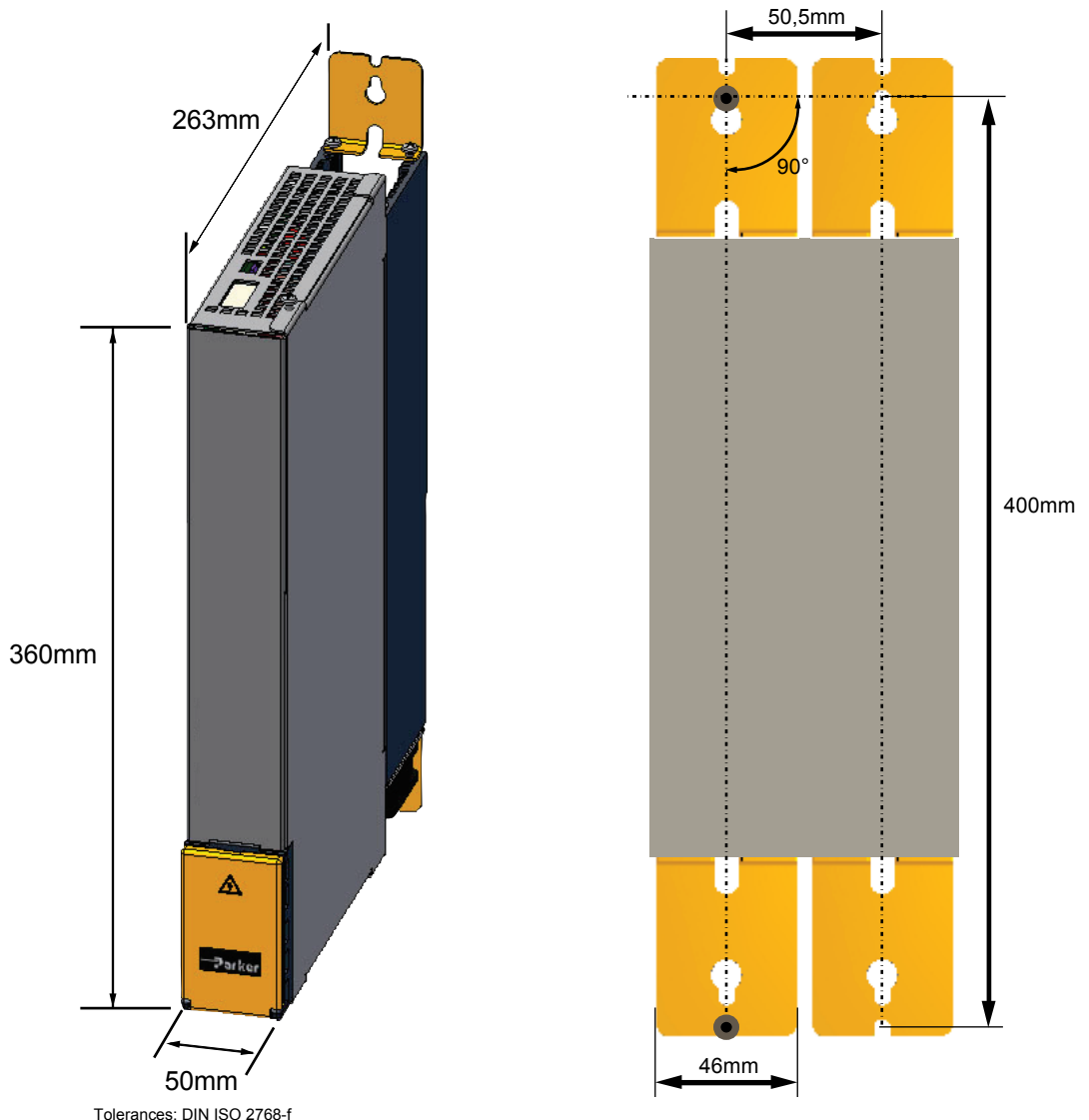
#### 3.9.2.1 Mounting and dimensions PSUP10/C3M050D6, C3M100D6, C3M150D6

**The devices are force-ventilated via a ventilator fan fixed to the lower part of the heat dissipator!**

Mounting spacing: At the top and below: at least 100mm

Information on PSUP10D6/C3M050D6, C3M100D6, C3M150D6

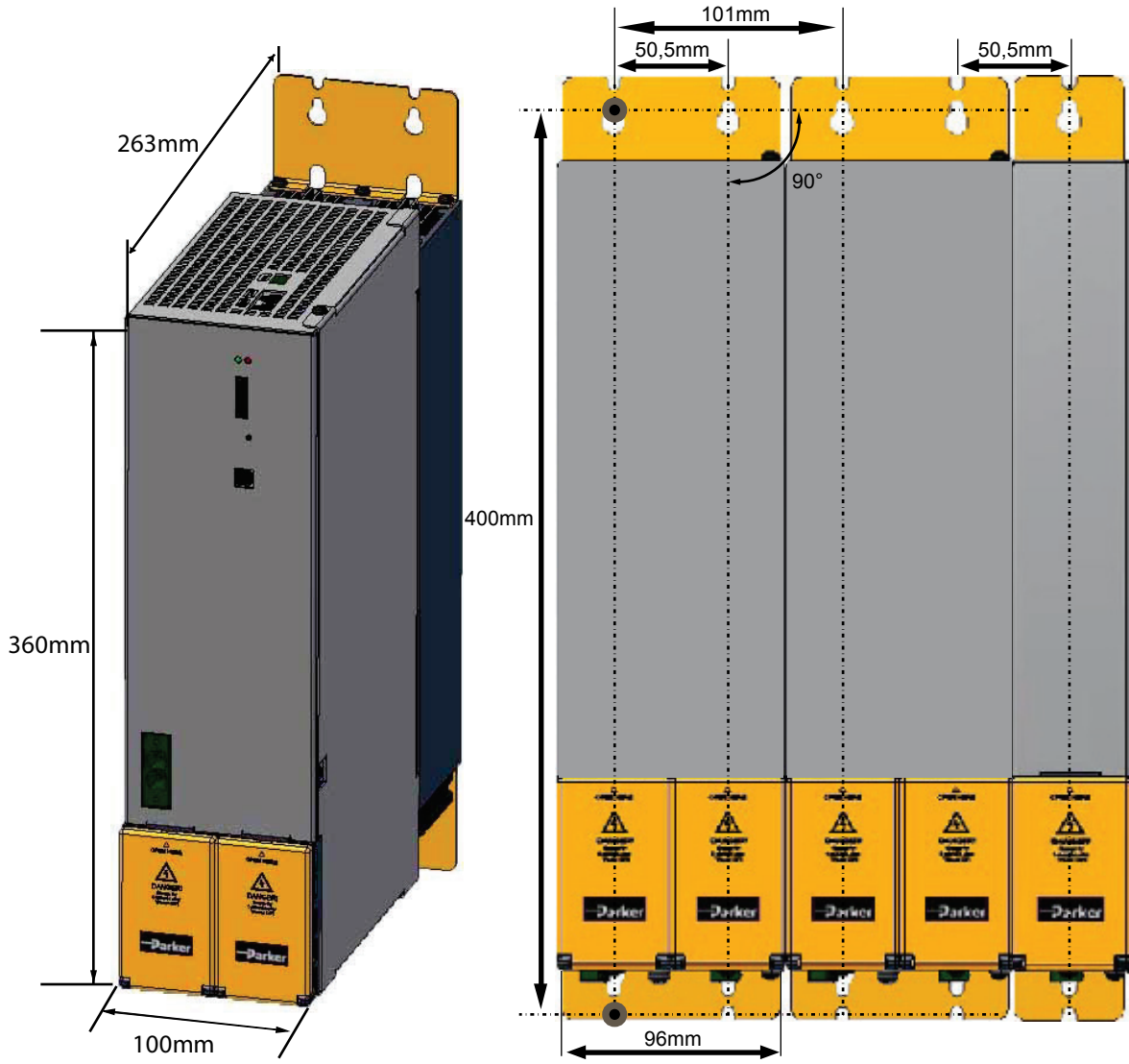
**Mounting:**  
2 socket head screws M5



### 3.9.2.2 Mounting and dimensions PSUP20/PSUP30/C3M300D6

Information on PSUP20/PSUP30/C3M300D6

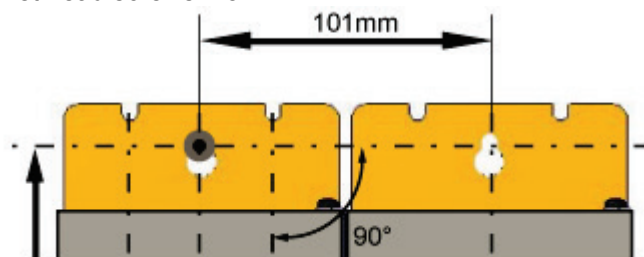
**Mounting:**  
4 socket head screws M5



Tolerances: DIN ISO 2768-f

### 3.9.2.3 With upper mounting, the housing design may be different

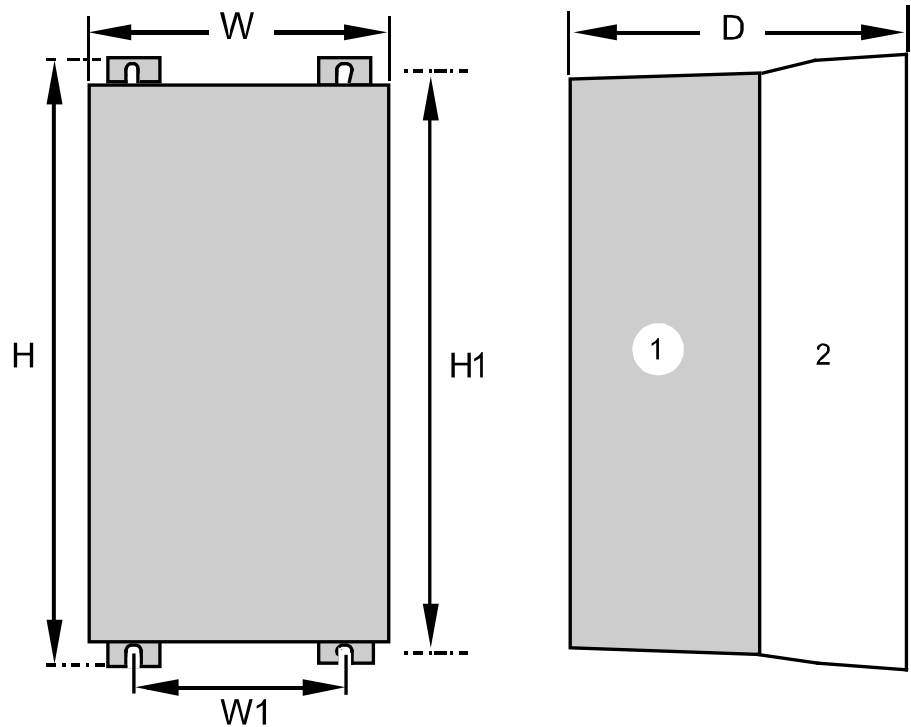
**Mounting:**  
3 socket head screws M5



### 3.9.3. Mounting and dimensions C3H

The devices must be mounted vertically on a level surface in the control cabinet.

Dimensions:



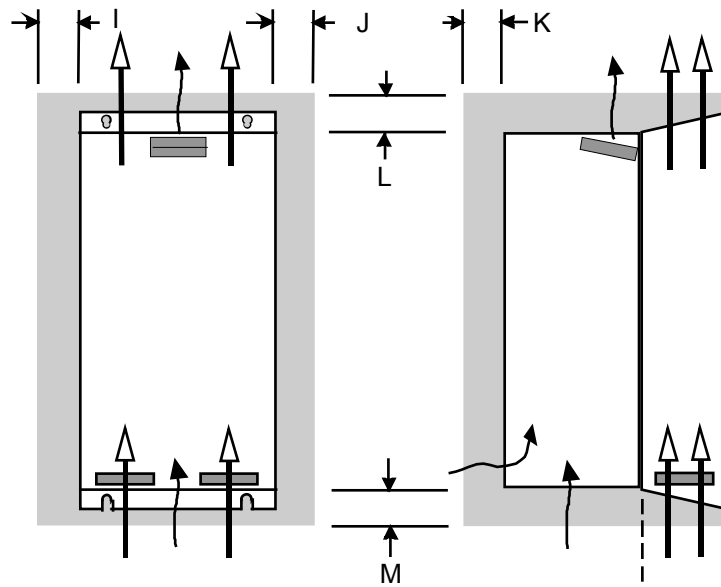
(1): Electronics  
(2): Head dissipator

	H	H1	D	W	W1
<b>C3H050V4</b>	453mm	440mm	245mm	252mm	150mm
<b>C3H090V4</b>	668.6mm	630mm	312mm	257mm	150mm
<b>C3H1xxV4</b>	720mm	700mm	355mm	257mm	150mm

**Mounting:**4 screws M6

**Ventilation:** During operation, the device radiates heat (power loss). Please provide for a sufficient mounting distance below and above the device in order to ensure free circulation of the cooling air. Please do also respect the recommended distances of other devices. Make sure that the mounting plate is not exhibited to other temperature influences than that of the devices mounted on this very plate. If two or more devices are combined, the mounting distances are added.

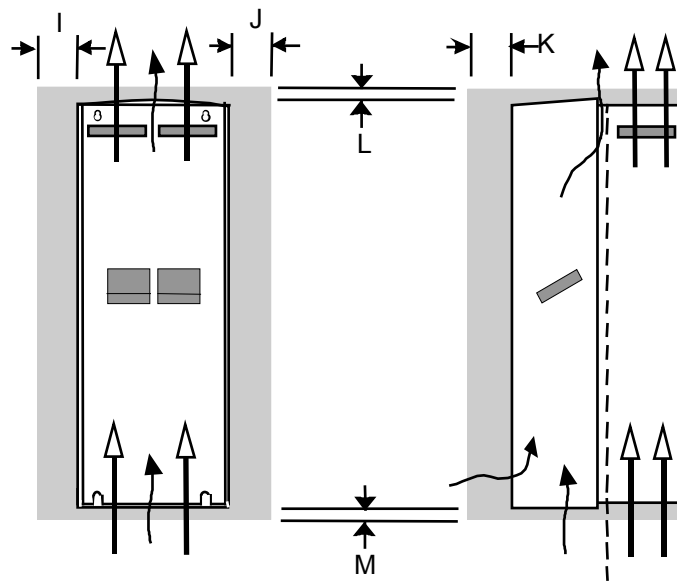
3.9.3.1 Mounting distances, air currents Compax3H050V4



in mm

	I	J	K	L	M
<b>C3H050V4</b>	15	5	25	70	70

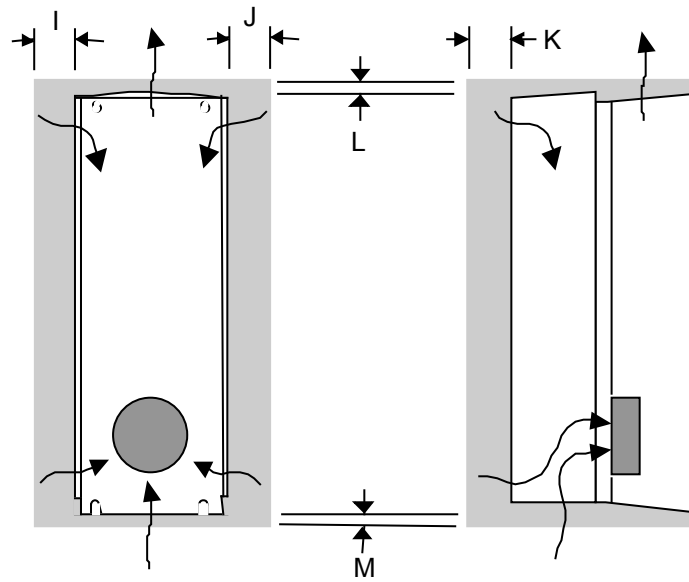
3.9.3.2 Mounting distances, air currents Compax3H090V4



in mm

	I	J	K	L	M
<b>C3H090V4</b>	0	0	25	70	70

3.9.3.3 Mounting distances, air currents Compax3H1xxV4



in mm

	I	J	K	L	M
<b>C3H1xxV4</b>	0	0	25	70	70

### 3.10 Safety function - STO (=safe torque off)

In this chapter you can read about:

General Description.....75  
 STO (= safe torque off) with Compax3S .....78  
 STO (= safe torque off) with Compax3m (Option S1).....85

#### 3.10.1. General Description

In this chapter you can read about:

Important terms and explanations.....75  
 Intended use.....76  
 Advantages of using the "safe torque off" safety function.....76  
 Devices with the STO (=safe torque off) safety function.....77

The present documentation assumes a basic knowledge of our drive controllers as well as an understanding of safety-oriented machine design. References to standards and other regulations are only rudimentarily expressed. For complementary information, we recommend the respective technical literature.

#### 3.10.1.1 Important terms and explanations

Term	Explanation
<b>Safety category 3 in accordance with EN ISO 13849-1</b>	Definition according to standard: Circuit with safety function against individual errors. Some, but not all errors are detected. An accumulation of errors may lead to a loss of the safety function. The remaining risk is accepted. The determination of the safety category required for an application (risk analysis) lies within the responsibility of the machine manufacturer. It can take place according to the method described in EN ISO 13849-1, appendix A.
<b>"Safe torque off" or abbreviated: STO=Safe torque off</b>	With the "safe torque off", the energy supply of the drive is safely interrupted according to EN 1037, paragraph 4.1. The drive is not to be able to produce a torque and thus dangerous movements (see EN 1037, paragraph 5.3.1.3). The standstill position must not be monitored. If an external force effect, e.g. a drop of hanging loads, is possible with the "safe torque off", additional measures to safely prevent those must be provided (e.g. additional mechanical brakes). The following measures are appropriate for a "safe torque off": Contactor between mains and drive system (mains contactor) Contactor between power section and motor (motor contactor) Safe blocking of the power semiconductor control (start inhibitor)
<b>Start inhibitor</b>	Safe blocking of the power semiconductor control. With the aid of this function, you can obtain a "safe torque off".

#### Stop categories according to EN60204-1 (9.2.2)

Stop category	Safety function	Requirement	System behavior	Remark
0	Safe torque off (STO)	Stopping by immediately switching off the energy supply of the machine drive elements	Uncontrolled stop	Uncontrolled stop is the stopping of a machine movement by switching off the energy of the machine drive elements. Available brakes and/or other mechanical stopping components are applied.
1	Safe stop 1 (SS1)	Stop where the energy of the machine drive elements is maintained in order to reach a stop. The energy supply is only interrupted, if the standstill is attained.	Controlled stop	Controlled stop is the stopping of a machine movement by for instance resetting the electrical command signal to zero, as soon as the stop signal has been detected by the controller, the electrical energy for the machine drive elements remains however during the stopping procedure.
2	Safe stop 2 (SS2)	Stop where the energy to the machine drive elements is maintained.	Controlled stop	This category is not covered.

### 3.10.1.2 Intended use

The Compax3 drive controller supports the "safe torque off" (STO) safety function, with protection against unexpected startup according to the requirements of EN ISO 13849-1, category 3 to PLe and EN 1037.

Together with the external safety control device, the "safe stop 1" (SS1) safety function according to the requirements of EN ISO 13849-1 category 3 can be used. As the function is however realized with the aid of an individually settable time delay on the safety switching device, you must take into account that, due to an error in the drive system during the active braking phase, the axis trundles to a stop unguided or may even accelerate actively in the worst case until the expiry of the preset switch-off time.

According to a risk evaluation which must be carried out according to the machine standard 98/37/EG and 2006/42/EG or EN ISO 12100, EN ISO 13849-1 and EN ISO 14121-1, the machine manufacturer must project the safety system for the entire machine including all integrated components. This does also include the electrical drives.

#### Qualified personnel

Projecting, installation and setup require a detailed understanding of this description.

Standards and accident prevention regulation associated with the application must be known and respected as well as risks, protective and emergency measures.

### 3.10.1.3 Advantages of using the "safe torque off" safety function.

#### Safety category 3 in accordance with EN ISO 13849-1

Requirements performance feature	Use of the safe torque off function	Conventional solution: Use of external switching elements
Reduced switching overhead	Simple wiring, certified application examples Grouping of drive controllers on a mains contactor is possible.	Two safety-oriented power contactors in series connection are required.
Use in the production process  High operating cycles, high reliability, low wear	Extremely high operating cycles thanks to almost wear-free technology (low-voltage relay and electronic switch). The "safe torque off" status is attained due to the use of wear-free electronic switches (IGBTs).	This performance feature cannot be reached with conventional technology.
Use in the production process  High reaction speed, fast restart	Drive controller remains performance- and control-oriented in connected state. No significant waiting times due to restart.	When using power contactors in the supply, a long waiting time for the energy discharge of the DC link circuit is required. When using two power contactors on the motor side, the reaction times may increase, you must however take into consideration other disadvantages: a) Securing that switching takes only place in powerless state (Direct current! Constant electric arcs must be prevented). b) Increased overhead for EMC conform wiring.
Emergency-stop function	According to the German version of the standard: Permitted without control of mechanical power switching elements 1)	Switch-off via mechanical switching elements is required

1) According to the preface of the German version of the EN 60204-1/11.98, electronic equipment for emergency-stop devices are also permitted, if they comply with the safety categories as described in EN ISO 13849-1.



### 3.10.1.4 Devices with the STO (=safe torque off) safety function

The STO (Safe torque off) safety function is implemented in the following devices:

**Compax3 technology function**

- ◆ I10T10, I11T11, I12T11,
- ◆ I10T20, I20T20, I32T20
- ◆ I11T30, I20T30, I21T30, I22T30, I30T30, I31T30, I32T30,  
I11T40, I20T40, I21T40, I22T40, I30T40, I31T40, I32T40  
I11T70, I20T70, I32T70
- ◆ I20T11, I21T11, I22T11, I30T11, I31T11, I32T11
- ◆ C10T11, C10T30, C10T40,  
C13T11, C13T30, C13T40,  
C20T11, C20T30, C20T40

**with the device power / series**

S025V2, S063V2, S100V2, S150V2, S015V4, S038V4, S075V4, S150V4,  
S300V4

M050D6, M100D6, M150D6, M300D6,

and is only valid with the stated conditions of utilization.

### 3.10.2. STO (= safe torque off) with Compax3S

In this chapter you can read about:

STO Principle (= Safe Torque Off) with Compax3S .....	78
Conditions of utilization STO (=safe torque off) Safety function.....	80
Notes on the STO function.....	80
STO application example (= safe torque off).....	81
Technical Characteristics STO Compax3S .....	84

#### 3.10.2.1 STO Principle (= Safe Torque Off) with Compax3S

To ensure safe protection against a motor starting up unexpectedly, the flow of current to the motor and thus to the power output stage must be prevented. This is accomplished for Compax3S with two measures independent of each other (Channel 1 and 2), without disconnecting the drive from the power supply:

##### Channel 1:

Activation of the power output stage can be disabled in the Compax3 controller by means of a digital input or with a fieldbus interface (depending on the Compax3 device type) (deactivation of the energize input).

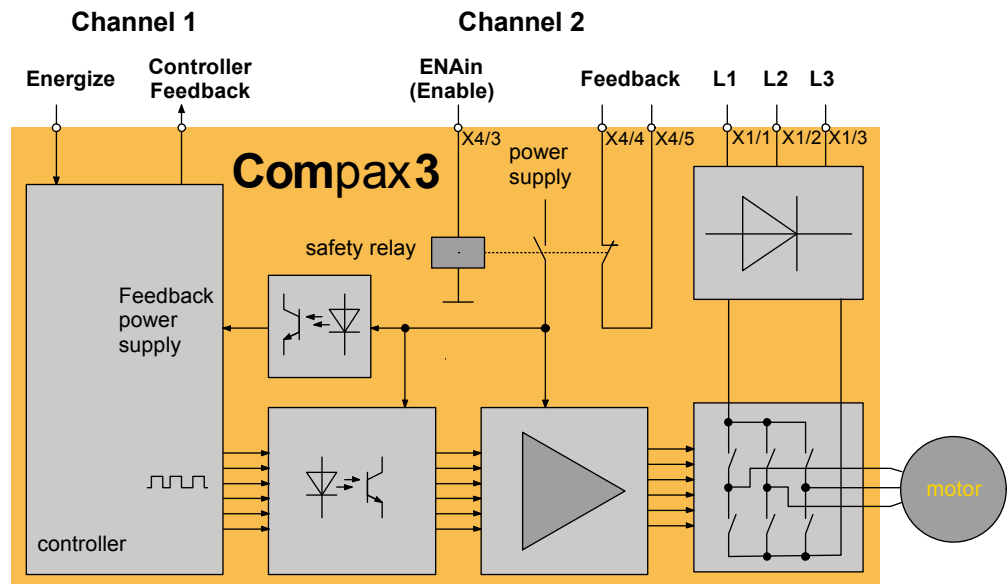
##### Channel 2:

The power supply for optocouplers and drivers of power output stage signals is disconnected by a safety relay activated by the enable input "ENAIin"(X4/3) and equipped with force-directed contacts. This prevents control signals from being transferred to the power output stage.



**The STO (= Safe Torque Off) safety function in accordance with EN ISO 13849-1: 2008 PLd or PLe, Kat.3 is only possible when using both channels via an external safety switching device**  
Please note the application examples!

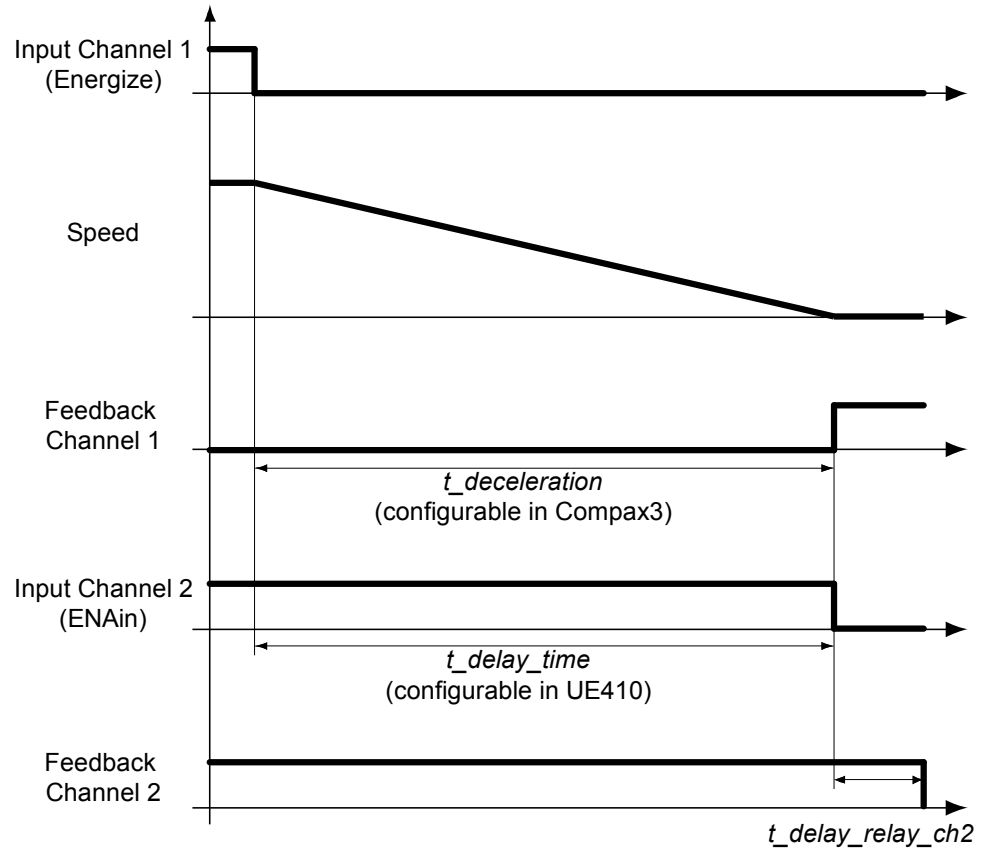
Circuit diagram illustrating working principle:



##### Notes

- ◆ In normal operation of Compax3, 24VDC of power is supplied to the "Enable" input (X4/3). The control of the drive takes then place via the digital inputs/outputs or via the fieldbus.

**STO delay times**



The deceleration time  $t_{deceleration}$  depends on the configuration of the Compax3. It must be configured so that oscillation free bringing to standstill is possible, depending on the mechanical load. The delay time  $t_{delay\_time}$  must be set in the safety control device UE410 so that  $t_{delay\_time} > t_{deceleration}$ . Only after the elapsing of the relay delay  $t_{delay\_relay\_ch2}$ , the STO function is completely activated. The relay delay time  $t_{deay\_relay\_ch2}$  is 15 ms.


### 3.10.2.2 Conditions of utilization STO (=safe torque off) Safety function

- ◆ STO can only be implemented in Compax3 with a corresponding safety switching device considering the application examples.
- ◆ Safety functions must be tested 100%.
- ◆ The Compax3S and the safety switching device used must be mounted in a protected way (IP54 mounting cabinet).
- ◆ Only qualified staff members are permitted to install the STO (=safe torque off) function and place it in service.
- ◆ For all applications in which the first channel of the “Safe torque off” is implemented by means of a PLC, care must be taken that the part of the program that is responsible for current flowing to or not flowing to the drive is programmed with the greatest possible care. The Safe Torque off application example of Compax3 with fieldbus should be considered.  
The designer and operator responsible for the system and machine must refer programmers who are involved to these safety-related points.
- ◆ Terminal X4/2 (GND 24 V and at the same time the reference point for the safety relay bobbin) must be connected with the PE protective lead. This is the only way to ensure protection against incorrect operation through earth faults (EN60204-1 Section 9.4.3)!
- ◆ All conditions necessary for CE-conform operation must be observed.
- ◆ When using an external safety switching device with adjustable delay time, (as illustrated in the STO application example), it must be ensured that the delay time cannot be adjusted by persons not authorized to do so (for example by applying a lead seal). With the UE410-MU3T5 safety switching device, this is not necessary, if the anti manipulation measures are respected.
- ◆ The adjustable delay time on the safety switching device must be set to a value greater than the duration of the braking ramp controlled by the Compax3 with maximum load and maximum speed.  
If the setting range for the specified Emergency power-off module is not sufficient, the Emergency power-off module must be replaced by another equivalent module.
- ◆ All safety-related external leads (for example the control lead for the safety relay and feedback contact) must absolutely be laid so they are protected, for example in a cable duct. Short circuits and crossed wires must be reliably excluded!
- ◆ If there are external forces operating on the drive axes, additional measures are required (for example additional brakes). Please note in particular the effects of gravity on suspended loads!

### 3.10.2.3 Notes on the STO function

- ◆ It should be noted in connection with the STO (= safe torque off) application example illustrated here that after the Emergency stop switch has been activated, no galvanic isolation in accordance with EN 60204-1 Section 5.5 is guaranteed. This means that the entire system must be disconnected from the mains power supply with an additional main switch or mains power contactor for repair jobs. Please note in this regard that even after the power is disconnected, dangerous electrical voltages may still be present in the Compax3 drive for about 10 minutes.
- ◆ During the active braking phase of Stop category 1 (controlled bringing to a stop with safely monitored delay time according to EN60204-1) or safe stop 1, faulty function must be expected. If an error in the drive system or mains failure occurs during the active braking phase, the axis may trundle to a stop unguided or might even actively accelerate until the expiry of the defined switch-off time.
- ◆ Please note that the control of the drive via Energize (Energize input or fieldbus interface) is not executed in all operating conditions. The following restrictions apply when the set-up window of the C3 ServoManager is used:
  - ◆ If the setup mode is switched on, the fieldbus interface and the energize input are blocked.
  - ◆ the energize input can be ignored if the input simulator is activated (depending on the settings).

**Note on error switch-off**

	<p><b><u>If the "safe torque off" function of Compax3 is required or used for a machine or system, the two errors:</u></b></p> <ul style="list-style-type: none"> <li>◆ "Motor_Stalled" (Motor stalled) and</li> <li>◆ "Tracking" (following error)</li> </ul> <p><b><u>are not to be switched off (see on page 106).</u></b></p>
---	---

**3.10.2.4 STO application example (= safe torque off)**

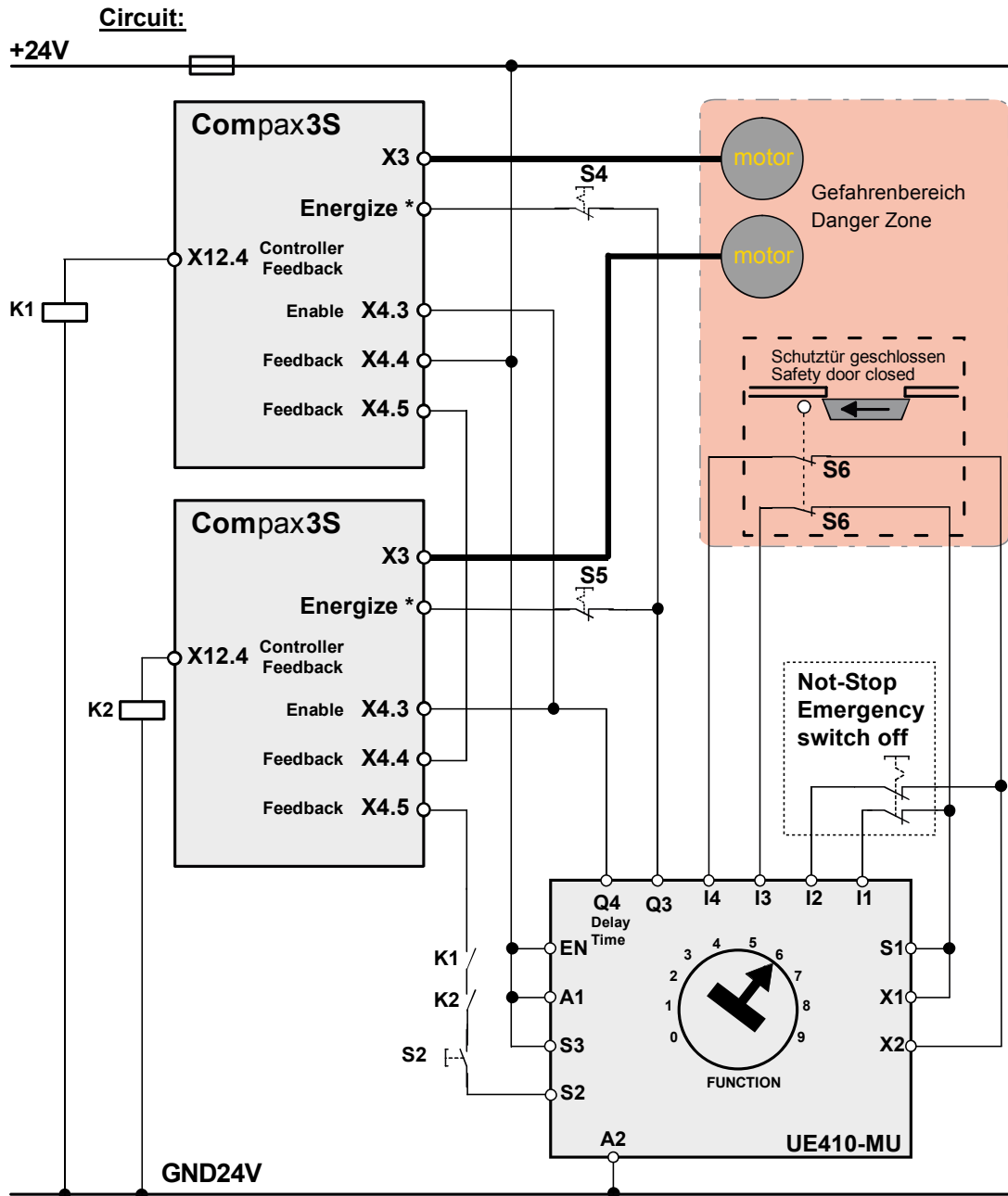
The application example described here corresponds to Stop Category 1 as defined by EN60204-1.

Together with the external safety switching device, the "Safe Stop 1"(SS1) safety function can also be implemented.

A Stop Category 0 in accordance with EN 60204-1 can be implemented, for example by setting the delay time on the Emergency power-off module as well as on the Compax3 (delay time for "switch to currentless") to 0. The Compax3M will then be turned off immediately in 2 channels and will therefore not be able to generate any more torque. Please take into consideration that the motor will not brake and a coasting down of the motor may result in hazards. If this is the case, the STO function in stop category 0 is not permitted.

**Circuit layout overview**

- ◆ 2 Compax3 devices (the circuit example is also valid for one or multiple devices, if it is adapted accordingly)
- ◆ 1 Emergency Power-off module (UE410-MU3T5 manufactured by Sick)  
With adjustable delayed deactivation of the Compax3 enable input ENAi.  
The time must be set so that all axes are at a standstill before the Compax3 controllers are deactivated.
- ◆ The operating instructions of the UE410-MU3T5 safety switching device must be observed.
- ◆ 1 emergency power-off switch
- ◆ Hazardous area accessible via a safety door with safety door switch S6.
- ◆ 1 pushbutton per Compax3
- ◆ For the Energize input on Compax3, a debouncing time > 3 ms must be configured
- ◆ 1 relay per Compax3  
The relay must be dimensioned so that it has a lifetime of at least 20 years, taking the cycle time into consideration. If this is not the case, the relays must be exchanged for new relays after expiration of the lifetime.



Energize = I0 (X12/6) Ackn = I2 (X12/8)

Instead of the safety switching device manufactured by Sick mentioned above, you may use other safety switching devices.

The safety switching device must however provide the following features:

- ◆ 1 normally open contact is required for switching off channel 1 (as an alternative, a safe semiconductor output is possible)
- ◆ 1 off-delayed normally open safety contact is required for switching off channel 2 (as an alternative, a safe semiconductor output with adjustable delay time for the high\_to\_low\_edge is possible).
- ◆ 1 one-channel monitoring circuit where the feedback contacts of channels 1 and 2 can be integrated for simultaneous monitoring, is required. At the same time it must be possible to integrate a one-channel start button for activation of the safety switching device into the circuit. A new start may only be successful, if it is ensured, that channels 1 and 2 are switched off.
- ◆ 1 two-channel connection for emergency power off and/or safety door contacts with cross fault monitoring is required.
- ◆ The safety switching device must feature performance PL e. The I/Os must at least correspond to category 3.

Switches and buttons:

1 N/C (S4, S5) per device:	Guide Device to a currentless state
S6:	closed when the safety door is closed
S2:	Activate safety switching device

**Caution!** Module UET410-MU3T5 modulates regularly test switching signals (OSSD) on outputs Q3 and Q4.  
We recommend to use a filter > 3 ms for signal Q3 in the PLC.  
If different safety switching devices are used, please make sure that the pulse width of the test pulses is not wider than 700µs. The safety switching device used can only send test pulses (active low) with high level.

### **Safe torque off description**

#### **In this chapter you can read about:**

Safe torque off basic function .....	83
Access to the hazardous area .....	84

### **Safe torque off basic function**

#### **Compax3 devices disabled by:**

Channel 1: Energize input to "0" by safety switching device output Q3  
Channel 2: Enable input ENAI to "0" by safety switching device output Q4

#### **Activate safety switching device**

Before the Compax3 can be placed into operation, the safety switching device must be activated by a pulse to Input S2.

Prerequisite:

- ◆ S2 closed
- ◆ Safety door closed
- ◆ K1 and K2 energized
  - ◆ K1: receives current if Compax3 Device 1 is currentless (output = "1" in currentless state) = Channel 1 feedback
  - ◆ K2: receives current if Compax3 device 2 is currentless (output = "1" in the currentless state) = channel 1 feedback
- ◆ The feedback contact of all Compax3 devices must be closed (channel 2).

#### **Energize Compax3 (Motor and power output stage)**

- ◆ With the safety switching device, the Compax3 devices are enabled via the energize input and the Enable input ENAI. (If an error is still present in the Compax3, it must be acknowledged - the ackn function depends on the Compax3 device type)
- ◆ The motors are energized with current.

Summary: Compax3 is only energized if the feedback functions are capable of functioning via two channels.

**Access to the hazardous area**

**Actuate emergency power-off switch**

Due to the interruption on two channels at the emergency power-off switch, the safety switching device is deactivated - output Q3 is immediately "0".

**Channel 1:** Via the Energize input, the Compax3 devices receive the command to guide the drive to a currentless state (using the ramp configured in the C3 ServoManager for "drive disable").

**Channel 1 feedback 1:** The "Controller Feedback" Compax3 outputs supply current to Relays K1 and K2.

**Channel 2:** After the delay time set in the safety switching device, (this time must be set so that all drives are stopped after it has elapsed) the output Q4 = "0", which in turn deactivates the Enable inputs ENAin of the Compax3 devices.

**Channel 2 feedback:** Via the series circuit of all feedback contacts, the "Safe Torque-off" status (all Compax3 devices without current) is reported.

Only if the drives are all at a standstill, the safety door may be opened and the hazardous area may be accessed.

If the safety door is opened during operation and the emergency-power-off switch was not triggered before, the Compax3 drives will also trigger the stop ramp.



**Caution! The drives may still move.**

If danger to life and limb of a person entering cannot be excluded, the machine must be protected by additional measures (e.g. a safety door locking).

**3.10.2.5 Technical Characteristics STO Compax3S**

**Safety technology Compax3S**

<p>Safe torque-off in accordance with EN ISO 13849: 2008, Category 3, PL d/e Certified. Test mark IFA 1003004</p>	<ul style="list-style-type: none"> <li>◆ For implementation of the "protection against unexpected start-up" function described in EN1037.</li> <li>◆ Please note the <b>circuitry examples</b> (see on page 75).</li> </ul>
---	---

**Compax3S STO (=safe torque off)**

Nominal voltage of the inputs	24 V
Required isolation of the 24V control voltage	Grounded protective extra low voltage, PELV
Protection of the STO control voltage	1 A
Grouping of safety level	<p>&lt;500 000 STO cycles per year are assumed.</p> <ul style="list-style-type: none"> <li>◆ <b>STO switch-off via internal safety relay &amp; digital input:</b> PL e, PFHd=2.98E-8</li> <li>◆ <b>STO switch-off via internal safety relay &amp; fieldbus:</b> PL d, PFHd=1.51E-7 (is applicable for a MTTFd=15 years of the external PLC)</li> <li>◆ Lifetime: 20 Years</li> </ul>

◆



### 3.10.3. STO (= safe torque off) with Compax3m (Option S1)

In this chapter you can read about:

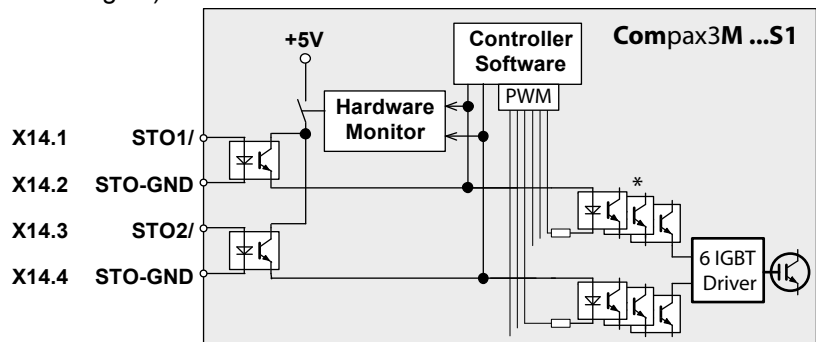
Safety switching circuits.....	85
Safety notes for the STO function in the Compax3M.....	86
Conditions of utilization for the STO function with Compax3M .....	86
STO delay times.....	87
Compax3M STO application description .....	88
STO function test.....	91
Technical details of the Compax3M S1 option .....	93

#### 3.10.3.1 Safety switching circuits

The current flow in the motor windings is controlled by a power semiconductor bridge (6-fold IGBT). A processor circuit and PWM circuit will switch the IGBT with rotary field orientation. Between control logic and power module, optocouplers are used for potential separation.

On the Compax3M drive controller with S1 option, the X14 (STO) connector can be found on the front plate. 2 optocouplers are controlled on two channels via the STO1/ and STO2/ terminals of this connector. When requesting the STO via an external safety switching device, the two auxiliary voltage supply channels of the power stage control circuits are switched off on two channels. Therefore the power transistors (IGBTs) for the motor current can not longer be switched on.

The hardware monitor detects the failure of the optocoupler circuit of a channel by always checking both channels for similarity. If the hardware monitor detects a discrepancy for a defined time (ax. 20s), the error will be stored in the hardware memory. The processor signals this error externally via the 0x5493 error code. An activation of the coupler supply can then only take place via a hardware reset (switching off and on again) of the device.



\* Potential separation with optocoupler.

### 3.10.3.2 Safety notes for the STO function in the Compax3M

- ◆ It should be noted in connection with the STO application examples illustrated here that after the Emergency stop switch has been activated, no galvanic isolation in accordance with EN 60204-1 Section 5.5 is guaranteed. This means that the entire system must be disconnected from the mains power supply with an additional main switch or mains power contactor for repair jobs. Please note in this regard that even after the power is disconnected, dangerous electrical voltages may still be present in the Compax3 drive for about 10 minutes.
- ◆ During the active braking phase of Stop category 1 (controlled bringing to a stop with safely monitored delay time according to EN60204-1) or safe stop 1, faulty function must be expected. If an error in the drive system occurs during the active braking phase, the axis may trundle to an unguided stop or might even actively accelerate until the expiry of the defined switch-off time.
- ◆ For synchronous motors operated in the field weakening range, the operation of the STO function may lead to over speed and destructive, life-threatening over voltages as well as explosions in the servo drive. Therefore, NEVER use the STO function with synchronous drives in the field-weakening range.
- ◆ It is important to note that if the drive is being activated (Energize) by the USB / RS485 interface, it may not be possible to execute switch-off by a controlled braking ramp. For example, this is true when the set-up window of the C3 ServoManager is used. If set-up mode is turned on or with the input simulator, the digital I/O interface and fieldbus interface are automatically disabled.

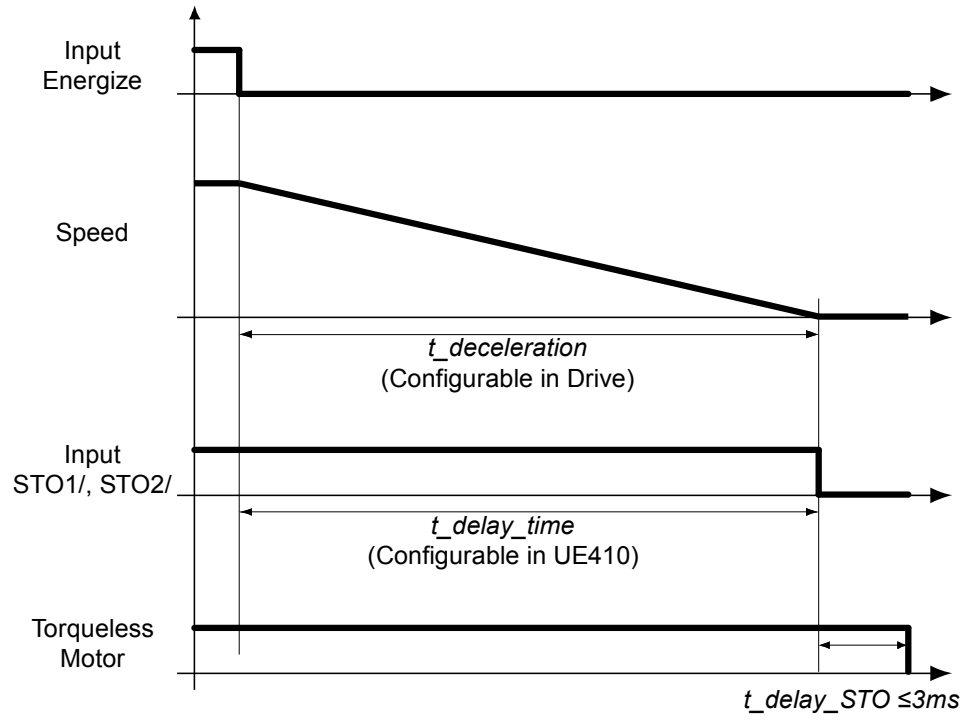
### Maintenance

When using the S1 option, a protocol describing the orderly working of the safety function must be made upon the setup and in defined maintenance intervals (see protocol proposal).

### 3.10.3.3 Conditions of utilization for the STO function with Compax3M

- ◆ The STO safety function must be tested and protocolled **as described** (see on page 91). The safety function must be requested at least once a week. In safety door applications, the weekly testing interval must not be observed, as you can assume that the safety doors will be opened several times during the operation of the machine.
- ◆ The Compax3M with integrated STO safety function as well as the utilized safety switching devices must be mounted protected (IP54 control cabinet).
- ◆ Only qualified staff members are permitted to install the STO function and place it in service.
- ◆ The X9/2 (GND24V) terminal on the PSUPxx mains module must be connected to the PE protective lead. This is the only way to ensure protection against incorrect operation through earth faults (EN60204-1 Section 9.4.3)!
- ◆ When using an external safety switching device with adjustable delay time, (as illustrated in the STO application example), it must be ensured that the delay time cannot be adjusted by persons not authorized to do so (for example by applying a lead seal). With the UE410-MU3T5 safety switching device, this is not necessary, if the anti manipulation measures are respected.
- ◆ The adjustable delay time on the safety switching device must be set to a value greater than the duration of the braking ramp controlled by the Compax3 with maximum load and maximum speed.
- ◆ All conditions necessary for CE-conform operation must be observed.
- ◆ If there are external forces operating on the drive axes, additional measures are required (for example additional brakes). Please note in particular the effects of gravity on suspended loads! This must be respected above all for vertical axes without self-locking mechanical devices or weight balance.
- ◆ When using synchronous motors, a short movement over a small angle is possible, if two errors occur simultaneously in the power section. This depends on the number of pole pairs of the motor (rotary types: 2 poles = 180°, 4 poles = 90°, 6 poles = 60°, 8 poles = 45°, Linear motors: 180° electrically).

### 3.10.3.4 STO delay times

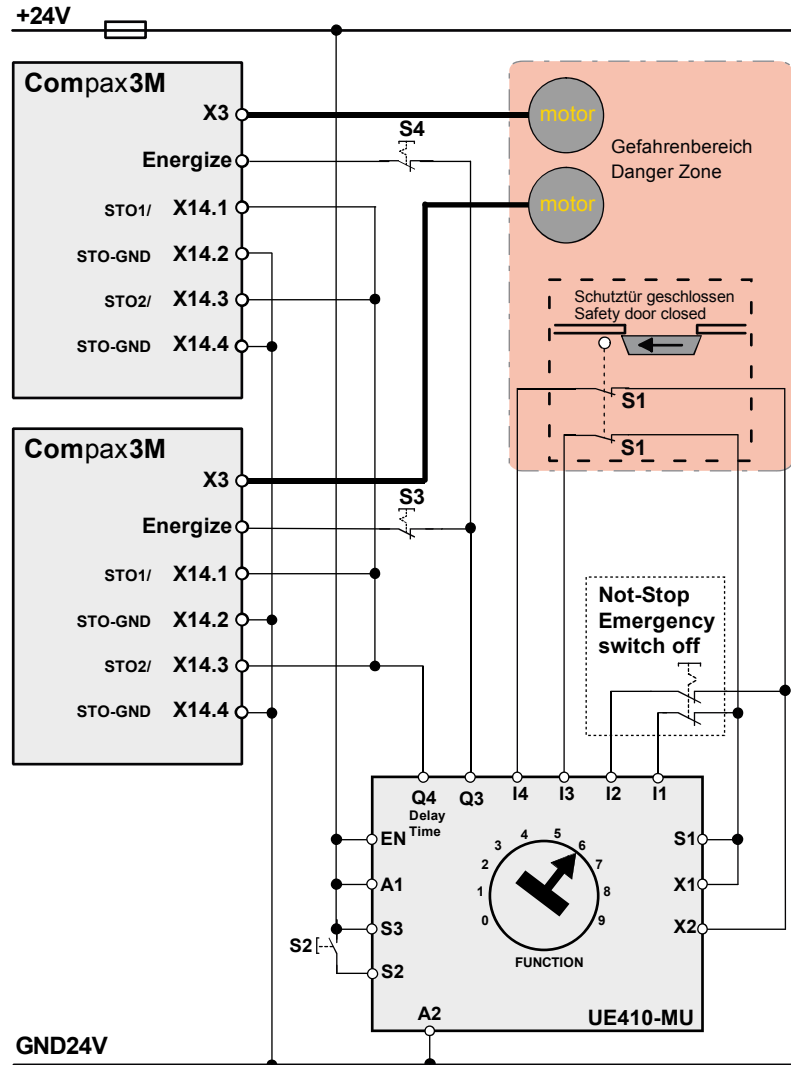


### 3.10.3.5 Compax3M STO application description

In this chapter you can read about:

STO function with safety switching device via Compax3M inputs.....88  
 STO function description .....89  
 Emergency stop and protective door monitoring without external safety switching device.90

#### STO function with safety switching device via Compax3M inputs



Recommendation Energize = I0 (X12/6) (debounceable digital input)  
 The acknowledgement S2 via the safety control UE410-MU3T5 is only necessary, if after the disabling of the STO function, a danger to any person or to the machine could arise by automatic starting. During the **Configuration des Compax3M** (see on page 106) you must see to a debouncing time >3ms being configured for the Energize input.  
 The operating instructions of the UE410-MU3T5 safety control must be observed. The Compax3M devices and the UE410-MU3T5 safety control must be mounted in the same control cabinet.

1 N.C. (S3, S4) per device	Guide Device to a currentless state
S1	closed when the safety door is closed
S2	Activate safety switching device

### STO function description

When opening the protective door or after actuating the emergency stop switch, the signal of the "energize" input of the Compax3M drive modules is interrupted via the Q3 output on the UE410-MU3T5 safety control. This triggers an immediate braking ramp on the drives. Then after the delay time set on the UE410-MU4T5 safety control, the STO function in the drives is triggered via the Q4 output. The servo drives are then in safe torqueless state. The delay time must be set on the safety control so that the braking ramp in the drives has run off and the drives are at standstill when the delay time has elapsed.

The described application example corresponds to the stop category 1 according to EN 60204-1. Together with the external safety switching device, the "Safe Stop 1" safety function can also be implemented.

A Stop Category 0 in accordance with EN 60204-1 can be implemented, for example by setting the delay time on the safety switching device to 0. The Compax3M will then be turned off immediately in 2 channels and will not be able to generate any more torque. Please take into consideration that the motor will not brake and a coasting down of the motor may result in hazards. If this is the case, the STO function in stop category 0 is not permitted.

Depending on the interface Ixx or technology function Txx of the Compax3M, the "energize" input can be a digital input or for instance a defined bit of a fieldbus control word (see the overview table below).

In the I10T10, I11T11, I12T11, I2xT11 and I3xT11 devices, the ackn input is assigned fixed.

Interface/Technology	"Energize"	Ackn
I10T10	Digital input I0 (X12/6)	I2 (X12/8)
I11T11	Digital input I2 (X12/8) (Energize & Ackn identical)	
I12T11	Digital input I0 (X12/6) (Energize & Ackn identical)	
I2xT11, I3xT11		
I2xT11, I3xT11	Applications with fieldbusses	
I11T30 and I11T40	Debounced digital input defined in the IEC program, which leads to the enable input of the MCpower function module	
I2xT30, I2xT40, I3xT30 and I3xT40	Bit defined in the IEC program (debounced digital input or via fieldbus) which is linked to the enable input of the MCpower function module	
C1xT30 and C1xT40 C20T30 and C20T40	Debounced digital input defined in the IEC program, which leads to the enable inputs of several MCpower function modules for different axes. The information is passed on to the individual axes via the CANbus.	

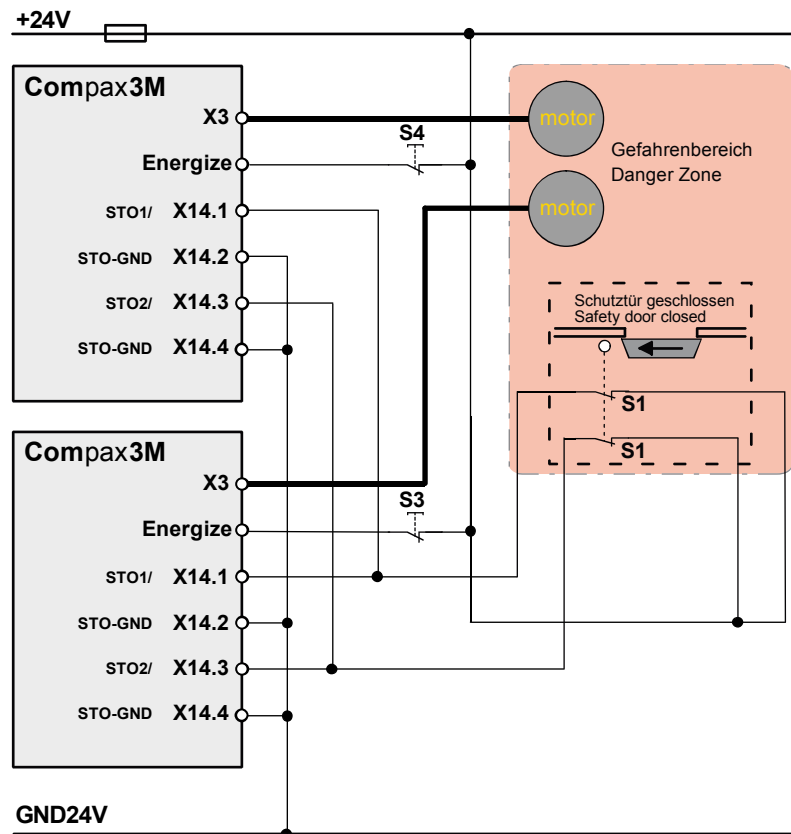
The acknowledgement via the safety control UE410-MU3T5 is only necessary, if after the disabling of the STO function, a danger to any person or to the machine could arise due to automatic startup..

**Emergency stop and protective door monitoring without external safety switching device.**

With Compax3M, a 2-channel protective door monitoring switch or a 2 channel emergency power-off switch can be directly connected. The figure below visualizes an application with 2 channel protective door monitoring switch.

The Compax3M drive modules with PSUPxx mains rectifier must be located in a protected area (IP54 control cabinet). Outside this protected area, the line guiding to the external switches must be separated channelwise or must be especially protected (blinded).

It is also permitted to use one acknowledgement switch for both servo drives at a time. In both cases the acknowledgement does only correspond to category B, therefore this acknowledgement should not be used if there is any possibility of stepping in the dangerous area. In this case, an external acknowledgement device must be used.



### 3.10.3.6 STO function test

The STO function must be checked in the event of:

- ◆ Commissioning
- ◆ After each exchange of any equipment within the system
- ◆ After each intervention into the system wiring
- ◆ In defined maintenance intervals (at least once per week) and after a longer standstill of the machine

If the STO function was triggered by opening a protective door and if this door is opened several times a week, the weekly testing interval is not required.

The check must be made by qualified personnel adhering to all necessary safety precautions.

#### The following testing steps must be performed:

STO Test	Action, activity	Expected reaction and effect
1	24V DC voltage on terminal X14.1 and X14.3	
2	Switch on power and 24V supply voltage	No error must be present
3	Configuring the device	No error must be present
4	Testing active STO on terminal X14.1 and X14.3: Remove 24V DC on terminal X14.1 and X14.3 at the same time	Error message 0x5492 must be present 1)
5	Re-apply 24V DC voltage on terminals X14.1 and X14.3 and then acknowledge error	No error must be present
6	Then switch off and on again 24V voltage supply	No error must be present

1) In order to automate the test, it is sufficient here to monitor the general error output with an external logic.

A manual check of the torqueless drive is here also sufficient.

The triggering of the STO can also be made by actuating the emergency stop switch. During the automated test, the STO can also be triggered via the contacts of an external relay

#### Following the test steps

The performance of the individual test steps of the STO function must be logged. A protocol specimen can be found in the following section.

Depending on the machine version, additional or other test steps may be required.

**STO test protocol specimen (Safety Option S1)**

General information:

Project/machine:

Servo axis:

Name of the tester:

---

---

---

**STO function test:**

Test specification according to the  
Compax3 release:

---

STO function test steps 1-6:  successfully tested

Acknowledgement safety switching device:  successfully tested  
 is not used

Safe stop 1:  successfully tested  
 is not used

Initial acceptance on:

Repeat check on:

---

---

Signature of the tester

Signature of the tester



### 3.10.3.7 Technical details of the Compax3M S1 option

#### Safety technology Compax3M

Safe torque-off in accordance with EN ISO 13849-1: 2007, Category 3, PL=e Certified. Test mark MFS 09029	◆ Please respect the stated safety technology on the <b>type designation plate</b> (see on page 11) and the <b>circuitry examples</b> (see on page 85)
---	--

#### Compax3M S1 Option: Signal inputs for connector X14

Nominal voltage of the inputs	24V
Required isolation of the 24V control voltage	Grounded protective extra low voltage, PELV
Protection of the STO control voltage	1A
Number of inputs Signal inputs via optocoupler	2 Low = 0...7V DC or open High = 15...30V DC $I_{in}$ at 24V DC: 8mA
STO1/	Low = STO activated High = STO deactivated Reaction time max. 3ms
STO2/	Low = STO activated High = STO deactivated Reaction time max. 3ms
Switch-off time with unequal input statuses	20 s (max. error reaction time)
Grouping of safety level	◆ Category 3 ◆ PL=e (according to table 4 in EN ISO 13849-1 this corresponds to SIL 3) ◆ PFHd=4.29E-8 ◆ Lifetime: 20 years

◆

# 4. Setting up Compax3

## In this chapter you can read about:

Configuration .....	94
Test commissioning: Compax3 S0xx V2 I10 .....	108
Device states .....	111
Optimization .....	113

## 4.1 Configuration

### In this chapter you can read about:

Selection of the supply voltage used .....	95
Motor selection .....	95
Optimize motor reference point and switching frequency of the motor current .....	96
Ballast resistor .....	99
General drive .....	99
Command interface .....	100
Setpoint control .....	104
Limit and monitoring settings .....	105
Configuration name / comments .....	107

The general proceeding in order to operate an empty-running motor is described **here** (see on page 95).

### **Configurations sequence:**

#### Installation of the C3 ServoManager

**The Compax3 ServoManager can be installed directly from the Compax3 DVD. Click on the corresponding hyperlink resp. start the installation program "C3Mgr\_Setup\_V.....exe" and follow the instructions.**

### **PC requirements**

#### Recommendation:

Operating system:	MS Windows XP SP3 / MS Vista (32 Bit) / Windows 7 (32 Bit / 64 Bit)
Browser:	MS Internet Explorer 8.x or higher
Processor:	Intel / AMD Multi core processor >=2GHz
RAM memory:	>= 1024MB
Hard disk:	>= 20GB available memory
Drive:	DVD drive (for installation)
Monitor:	Resolution 1024x768 or higher
Graphics card:	on onboard graphics (for performance reasons)
Interface:	USB 2.0

#### Minimum requirements:

Operating system:	MS Windows XP SP2 / MS Windows 2000 as from SP4
Browser:	MS Internet Explorer 6.x
Processor:	>=1.5GHz
RAM memory:	512MB
Hard disk:	10GB available memory
Drive:	DVD drive
Monitor:	Resolution 1024x768 or higher
Graphics card:	on onboard graphics (for performance reasons)
Interface:	USB

**Note:**

- ◆ For the installation of the software you need administrator authorization on the target computer.
- ◆ Several applications running in parallel, reduce the performance and operability.
- ◆ Especially customer applications, exchanging standard system components (drivers) in order to improve their own performance, may have a strong influence on the communication performance or even render normal use impossible.
- ◆ Operation under virtual machines such as Vware Workstation 6/ MS Virtual PC is not possible.
- ◆ Onboard graphics card solutions reduce the system performance by up to 20% and cannot be recommended.
- ◆ Operation with notebooks in current-saving mode may lead, in individual cases, to communication problems.

**Connection between PC and Compax3**

Your PC is connected with Compax3 via a RS232 cable (**SSK1** (see on page 195)).

Start the Compax3 ServoManager and make the setting for the selected interface in the "**Options Communication settings RS232/RS485...**" menu.

**Device Selection**

In the menu tree under device selection you can read the device type of the connected device (Online Device Identification) or select a device type (Device Selection Wizard).

**Configuration**

Then you can double click on "Configuration" to start the configuration wizard. The wizard will lead you through all input windows of the configuration.

Input quantities will be described in the following chapters, in the same order in which you are queried about them by the configuration wizard.

**In the device online help, we show you at this place an animation of a test setup with the aim to move an unloaded motor.**

- ◆ Simple and independent of the Compax3 device variant\*
- ◆ Without overhead for configuration
- ◆ Without special knowledge in programming

\* for device specific functions, please refer to the corresponding device description.

Due to continuous optimization, individual monitor displays may have changed. This does however hardly influence the general proceeding.

**4.1.1. Selection of the supply voltage used**

Please select the mains voltage for the operation of Compax3. This influences the choice of motors available.

**4.1.2. Motor selection**

The selection of motors can be broken down into:

- ◆ Motors that were purchased in Europe and
- ◆ Motors that were purchased in the USA.
- ◆ You will find non-standard motors under "Additional motors" and
- ◆ under "User-defined motors" you can select motors set up with the C3 MotorManager.

For motors with holding brake **SMHA** or **MHA** brake delay times can be entered. For this see **Brake delay times** (see on page 135).

**Please note the following equivalence that applies regarding terms concerning linear motors:**

- ◆ Rotary motors / linear motors
- ◆ Revolutions = Pitch
- ◆ Rotation speed (velocity) = Speed
- ◆ Torque = Power
- ◆ Moment of inertia = Load

**Notes on direct drives (see on page 162) (Linear and Torque - Motors)**

### 4.1.3. Optimize motor reference point and switching frequency of the motor current

#### Optimization of the motor reference point

The motor reference point is defined by the reference current and the reference (rotational) speed.

Standard settings are:

- ◆ Reference current = nominal current
- ◆ Reference (rotational) speed = nominal (rotational) speed

These settings are suitable for most cases.

The motors can, however, be operated with different reference points for special applications.

- ◆ By reducing the reference (rotational) speed, the reference current can be increased. This results in more torque with a reduced speed.
- ◆ For applications where the reference current is only required cyclically with long enough breaks in between, you may use a reference current higher than  $I_0$ . The limit value is however reference current = max.  $1.33 \cdot I_0$ . The reference velocity must also be reduced.

The peak current is not changed from Release R09-20, it remains fixed to the value taken from the motor library.

With exception of R09-20, the peak current was also adapted with the changing of the reference current.

The possible settings or limits result from the respective motor characteristics.

#### Caution!

Wrong reference values (too high) can cause the motor to switch off during operation (because of too high temperature) or even cause damage to the motor.



#### Optimization of the switching frequency

The switching frequency of the power output stage is preset to optimize the operation of most motors.

It may, however, be useful to increase the switching frequency especially with direct drives in order to reduce the noise of the motors. Please note that the power output stage must be operated with reduced nominal currents in the case of increased switching frequencies.

The switching frequency may only be increased.

#### Caution!

By increasing the motor current switching frequency, the nominal current and the peak current are reduced.

This must already be observed in the planning stage of the plant!



The preset motor current switching frequency depends on the performance variant of the Compax3 device.

The respective Compax3 devices can be set as follows:

## Resulting nominal and peak currents depending on the switching frequency

### Compax3S0xxV2 at 1\*230VAC/240VAC

Switching frequency*		S025V2	S063V2
16kHz	$I_{nom}$	2.5A <sub>rms</sub>	6.3A <sub>rms</sub>
	$I_{peak} (<5s)$	5.5A <sub>rms</sub>	12.6A <sub>rms</sub>
32kHz	$I_{nom}$	2.5A <sub>rms</sub>	5.5A <sub>rms</sub>
	$I_{peak} (<5s)$	5.5A <sub>rms</sub>	12.6A <sub>rms</sub>

### Compax3S1xxV2 at 3\*230VAC/240VAC

Switching frequency*		S100V2	S150V2
8kHz	$I_{nom}$	-	15A <sub>rms</sub>
	$I_{peak} (<5s)$	-	30A <sub>rms</sub>
16kHz	$I_{nom}$	10A <sub>rms</sub>	12.5A <sub>rms</sub>
	$I_{peak} (<5s)$	20A <sub>rms</sub>	25A <sub>rms</sub>
32kHz	$I_{nom}$	8A <sub>rms</sub>	10A <sub>rms</sub>
	$I_{peak} (<5s)$	16A <sub>rms</sub>	20A <sub>rms</sub>

### Compax3S0xxV4 at 3\*400VAC

Switching frequency*		S015V4	S038V4	S075V4	S150V4	S300V4
8kHz	$I_{nom}$	-	-	-	15A <sub>rms</sub>	30A <sub>rms</sub>
	$I_{peak} (<5s)$	-	-	-	30A <sub>rms</sub>	60A <sub>rms</sub>
16kHz	$I_{nom}$	1.5A <sub>rms</sub>	3.8A <sub>rms</sub>	7.5A <sub>rms</sub>	10.0A <sub>rms</sub>	26A <sub>rms</sub>
	$I_{peak} (<5s)$	4.5A <sub>rms</sub>	9.0A <sub>rms</sub>	15.0A <sub>rms</sub>	20.0A <sub>rms</sub>	52A <sub>rms</sub>
32kHz	$I_{nom}$	1.5A <sub>rms</sub>	2.5A <sub>rms</sub>	3.7A <sub>rms</sub>	5.0A <sub>rms</sub>	14A <sub>rms</sub>
	$I_{peak} (<5s)$	3.0A <sub>rms</sub>	5.0A <sub>rms</sub>	10.0A <sub>rms</sub>	10.0A <sub>rms</sub>	28A <sub>rms</sub>

### Compax3S0xxV4 at 3\*480VAC

Switching frequency*		S015V4	S038V4	S075V4	S150V4	S300V4
8kHz	$I_{nom}$	-	-	-	13.9A <sub>rms</sub>	30A <sub>rms</sub>
	$I_{peak} (<5s)$	-	-	-	30A <sub>rms</sub>	60A <sub>rms</sub>
16kHz	$I_{nom}$	1.5A <sub>rms</sub>	3.8A <sub>rms</sub>	6.5A <sub>rms</sub>	8.0A <sub>rms</sub>	21.5A <sub>rms</sub>
	$I_{peak} (<5s)$	4.5A <sub>rms</sub>	7.5A <sub>rms</sub>	15.0A <sub>rms</sub>	16.0A <sub>rms</sub>	43A <sub>rms</sub>
32kHz	$I_{nom}$	1.0A <sub>rms</sub>	2.0A <sub>rms</sub>	2.7A <sub>rms</sub>	3.5A <sub>rms</sub>	10A <sub>rms</sub>
	$I_{peak} (<5s)$	2.0A <sub>rms</sub>	4.0A <sub>rms</sub>	8.0A <sub>rms</sub>	7.0A <sub>rms</sub>	20A <sub>rms</sub>

The values marked with grey are the pre-set values (standard values)!

\*corresponds to the frequency of the motor current

### Resulting nominal and peak currents depending on the switching frequency

#### Compax3HxxxV4 at 3\*400VAC

Switching frequency*		H050V4	H090V4	H125V4	H155V4
8kHz	$I_{nom}$	50A <sub>rms</sub>	90A <sub>rms</sub>	125A <sub>rms</sub>	155A <sub>rms</sub>
	$I_{peak} (<5s)$	75A <sub>rms</sub>	135A <sub>rms</sub>	187.5A <sub>r</sub> ms	232.5A <sub>r</sub> ms
16kHz	$I_{nom}$	33A <sub>rms</sub>	75A <sub>rms</sub>	82A <sub>rms</sub>	100A <sub>rms</sub>
	$I_{peak} (<5s)$	49.5A <sub>rms</sub>	112.5A <sub>r</sub> ms	123A <sub>rms</sub>	150A <sub>rms</sub>
32kHz	$I_{nom}$	19A <sub>rms</sub>	45A <sub>rms</sub>	49A <sub>rms</sub>	59A <sub>rms</sub>
	$I_{peak} (<5s)$	28.5A <sub>rms</sub>	67.5A <sub>rms</sub>	73.5A <sub>rms</sub>	88.5A <sub>rms</sub>

#### Compax3HxxxV4 at 3\*480VAC

Switching frequency*		H050V4	H090V4	H125V4	H155V4
8kHz	$I_{nom}$	43A <sub>rms</sub>	85A <sub>rms</sub>	110A <sub>rms</sub>	132A <sub>rms</sub>
	$I_{peak} (<5s)$	64.5A <sub>rms</sub>	127.5A <sub>r</sub> ms	165A <sub>rms</sub>	198A <sub>rms</sub>
16kHz	$I_{nom}$	27A <sub>rms</sub>	70A <sub>rms</sub>	70A <sub>rms</sub>	84A <sub>rms</sub>
	$I_{peak} (<5s)$	40.5A <sub>rms</sub>	105A <sub>rms</sub>	105A <sub>rms</sub>	126A <sub>rms</sub>
32kHz	$I_{nom}$	16A <sub>rms</sub>	40A <sub>rms</sub>	40A <sub>rms</sub>	48A <sub>rms</sub>
	$I_{peak} (<5s)$	24A <sub>rms</sub>	60A <sub>rms</sub>	60A <sub>rms</sub>	72A <sub>rms</sub>

The values marked with grey are the pre-set values (standard values)!

\*corresponds to the frequency of the motor current

### Resulting nominal and peak currents depending on the switching frequency

#### Compax3MxxxD6 at 3\*400VAC

Switching frequency*		M050D6	M100D6	M150D6	M300D6
8kHz	$I_{nom}$	5A <sub>rms</sub>	10A <sub>rms</sub>	15A <sub>rms</sub>	30A <sub>rms</sub>
	$I_{peak} (<5s)$	10A <sub>rms</sub>	20A <sub>rms</sub>	30A <sub>rms</sub>	60A <sub>rms</sub>
16kHz	$I_{nom}$	3.8A <sub>rms</sub>	7.5A <sub>rms</sub>	10A <sub>rms</sub>	20A <sub>rms</sub>
	$I_{peak} (<5s)$	7.5A <sub>rms</sub>	15A <sub>rms</sub>	20A <sub>rms</sub>	40A <sub>rms</sub>
32kHz	$I_{nom}$	2.5A <sub>rms</sub>	3.8A <sub>rms</sub>	5A <sub>rms</sub>	11A <sub>rms</sub>
	$I_{peak} (<5s)$	5A <sub>rms</sub>	7.5A <sub>rms</sub>	10A <sub>rms</sub>	22A <sub>rms</sub>

## Compax3MxxxD6 at 3\*480VAC

Switching frequency*		M050D6	M100D6	M150D6	M300D6
8kHz	$I_{nom}$	4A <sub>rms</sub>	8A <sub>rms</sub>	12.5A <sub>rms</sub>	25A <sub>rms</sub>
	$I_{peak}$ (<5s)	8A <sub>rms</sub>	16A <sub>rms</sub>	25A <sub>rms</sub>	50A <sub>rms</sub>
16kHz	$I_{nom}$	3A <sub>rms</sub>	5.5A <sub>rms</sub>	8A <sub>rms</sub>	15A <sub>rms</sub>
	$I_{peak}$ (<5s)	6A <sub>rms</sub>	11A <sub>rms</sub>	16A <sub>rms</sub>	30A <sub>rms</sub>
32kHz	$I_{nom}$	2A <sub>rms</sub>	2.5A <sub>rms</sub>	4A <sub>rms</sub>	8.5A <sub>rms</sub>
	$I_{peak}$ (<5s)	4A <sub>rms</sub>	5A <sub>rms</sub>	8A <sub>rms</sub>	17A <sub>rms</sub>

The values marked with grey are the pre-set values (standard values)!

\*corresponds to the frequency of the motor current

#### 4.1.4. Ballast resistor

If the regenerative brake output exceeds the **amount of energy that can be stored by the servo controller** (see on page 208), then an error will be generated. To ensure safe operation, it is then necessary to either

- ◆ reduce the accelerations resp. the decelerations,
- ◆ or to use an **external ballast resistor** (see on page 178).

Please select the connected ballast resistor or enter the characteristic values of your ballast resistor directly.

**Please note that with resistance values greater than specified, the power output from the servo drive can no longer be dissipated in the braking resistor.**

#### 4.1.5. General drive

##### External moment of inertia / load

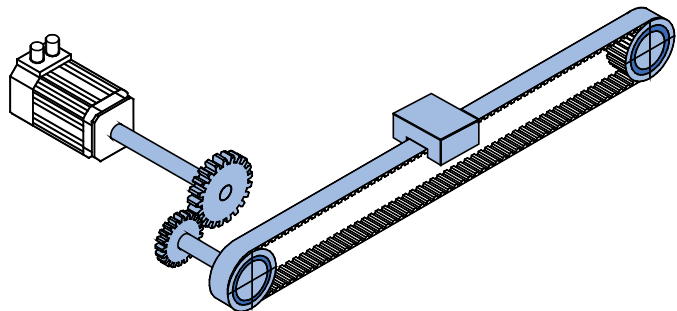
The external moment of inertia is required for adjusting the servo controller. The more accurately the moment of inertia of the system is known, the better is the stability and the shorter is the settle-down time of the control loop.

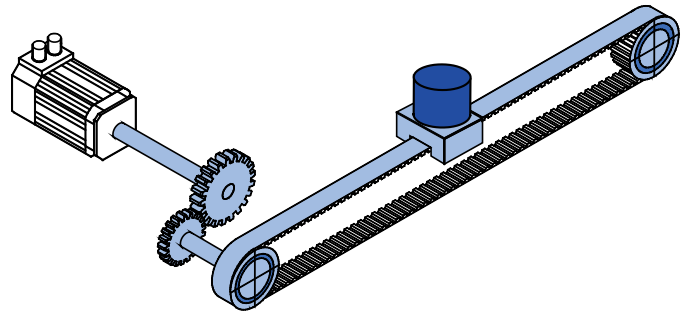
It is important to specify the minimum and maximum moment of inertia for best possible behavior under varying load.

If you do not know the moment of inertia, click on "Unknown: using default values".

You have then the possibility to determine the moment of inertia by means of automatic **load identification** (see on page 121).

##### Minimum moment of inertia / minimum load



**Maximum moment of inertia / maximum load**

Enter minimum = maximum moment of inertia when the load does not vary.

**4.1.6. Command interface**

Make your selection from the following command interfaces:

- ◆  $\pm 10V$  analog setpoint commanding and encoder emulation (rotation speed control mode)
- ◆ Step/direction input RS422 (5V push-pull signal)
- ◆ Step/direction input 24V level
- ◆ Encoder input RS422 (5V push-pull signal)
- ◆ Encoder input 24V level
- ◆  $\pm 10V$  analog current setpoint commanding and encoder emulation (rotation speed control mode) with different holding functions.

**Please observe:**

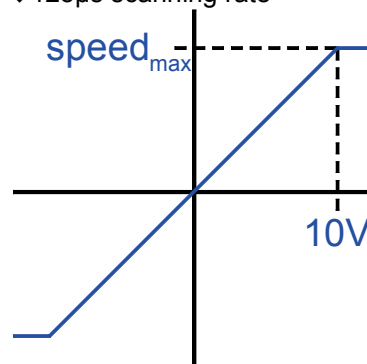
Encoder emulation exists with an

- ◆ analog input command interface of  $\pm 10V$
  - ◆ Step/direction input 24V level and
  - ◆ Encoder input 24V level
- !

**4.1.6.1  $\pm 10V$  analogue speed setpoint commanding and encoder emulation**

Input:

- ◆  $\pm 10V$  analogue;
- ◆ 14Bit resolution;
- ◆ 125 $\mu s$  scanning rate

**Keep position via I4**

With I4 = "1" position setpoint = 0 is predefined.

External forces can be compensated via corresponding motor moments.

If the motor is shifted from its position by too high external forces (current limit is reached), the drive moves to its original position (after the reduction of the external forces).

Setting values:



### Rotational speed/velocity at a setpoint of +10V

Unit: rpm or m/s	Range: +/-0... 1.2 * reference value	Standard value: Reference value
Defining the reference system. Reference value = Nominal speed/velocity of the motor.		

### Simulated Encoder Output Resolution

Unit: Increments per revolution / pitch	Range: 4 - 16384	Standard value: 1024
Any resolution can be set <b>Limit frequency: 620kHz</b> (track A or B) i.e. , with:		
Increments per revolution	max. Velocity	
1024	36000 rpm	
4096	9000 rpm	
16384	2250 rpm	

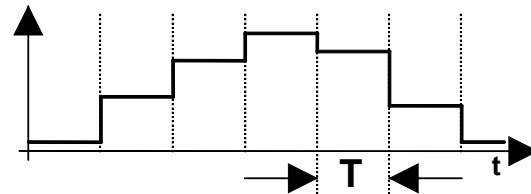
### Invert Motor Rotation/Direction Polarity

Unit: -	Range: no / yes	Standard value: no
Reverse direction inverts the sense of rotation, i.e. the direction of movement of the motor is reversed in the case of equal setpoint.		

### Time frame predefined setpoint value

Averaging and a following filter (interpolation) can help to avoid steps caused by discrete signals.

If the external signal is analog, there is no need to enter a value here (Value = 0). For discrete signals e.g. from a PLC, the scanning time (or cycle time) of the signal source is entered.



This function is only available if the analog interface +/-10V is used!

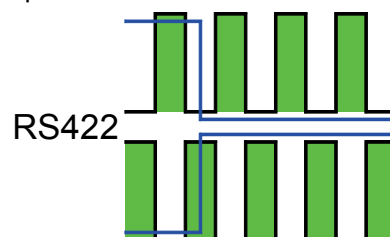
### 4.1.6.2 Step/Direction Input 24V

#### Required wiring:

Plug/Pin	Assignment
X12/13	Step
X12/14	Direction
X12/15	0V

### 4.1.6.3 Step/Direction Input RS422

Input:



Setting values:

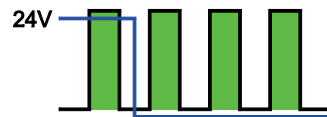
**Increments per motor revolution / pitch**

Unit: Increments	Range:	Standard value: 1024
Number of steps per motor revolution / pitch		

**Invert Motor Rotation/Direction Polarity**

Unit: -	Range: no / yes	Standard value: no
Reverse direction inverts the sense of rotation, i.e. the direction of movement of the motor is reversed in the case of equal setpoint.		

**4.1.6.4 Step/Direction Input 24V**



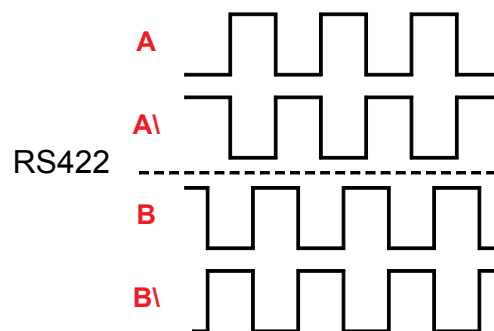
**Increments per motor revolution / pitch**

Unit: Increments	Range:	Standard value: 1024
Number of steps per motor revolution / pitch		

**Invert Motor Rotation/Direction Polarity**

Unit: -	Range: no / yes	Standard value: no
Reverse direction inverts the sense of rotation, i.e. the direction of movement of the motor is reversed in the case of equal setpoint.		

**4.1.6.5 Encoder input RS422**



The zero pulse is not evaluated!

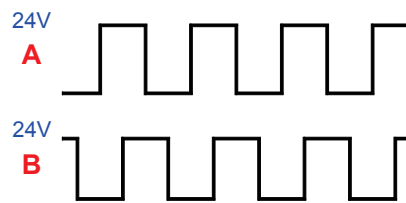
**Increments per motor revolution / pitch**

Unit: Increments	Range:	Standard value: 1024
Number of steps per motor revolution / pitch		

**Invert Motor Rotation/Direction Polarity**

Unit: -	Range: no / yes	Standard value: no
Reverse direction inverts the sense of rotation, i.e. the direction of movement of the motor is reversed in the case of equal setpoint.		

#### 4.1.6.6 Encoder input 24V



The zero pulse is not evaluated!

#### Increments per motor revolution / pitch

Unit: Increments	Range:	Standard value: 1024
Number of steps per motor revolution / pitch		

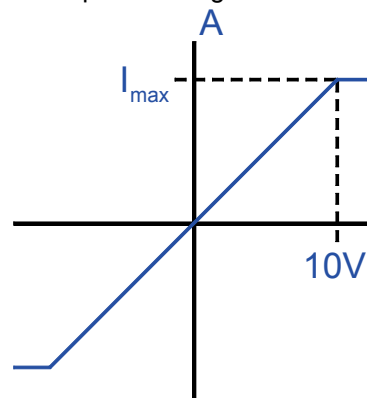
#### Invert Motor Rotation/Direction Polarity

Unit: -	Range: no / yes	Standard value: no
Reverse direction inverts the sense of rotation, i.e. the direction of movement of the motor is reversed in the case of equal setpoint.		

#### 4.1.6.7 $\pm 10V$ analog current setpoint commanding and encoder emulation

Input:

- ◆  $\pm 10V$  analogue;
- ◆ 14Bit resolution;
- ◆  $62.5\mu s$  scanning rate



#### Holding function “keep Position / speed 0” via I4

The input I4 can be assigned with an additional function. You may choose between:

##### without holding function I4

##### Keep rotational speed / velocity 0 via I4

Predefine speed setpoint value = 0 via I4 = “1”.

External forces can be compensated via corresponding motor moments.

The state “internal current setpoint” reflects the external forces.

##### Keep position via I4

With I4 = “1” position setpoint = 0 is predefined.

External forces can be compensated via corresponding motor moments.

If the motor is shifted from its position by too high external forces (current limit is reached), the drive moves to its original position (after the reduction of the external forces).

**Setting values:**

**Current at setpoint +10V**

Unit: mA	Range: +/-0... I(max)	Standard value: I(nom)
Define reference system 10V = current; I(nom)= Nominal current of the motor. I(max): is the smaller value from motor peak current and device peak current		

**Simulated Encoder Output Resolution**

Unit: Increments per revolution / pitch	Range: 4 - 16384	Standard value: 1024
Any resolution can be set <b>Limit frequency: 620kHz</b> (track A or B) i.e. , with:		
Increments per revolution	max. Velocity	
1024	36000 rpm	
4096	9000 rpm	
16384	2250 rpm	

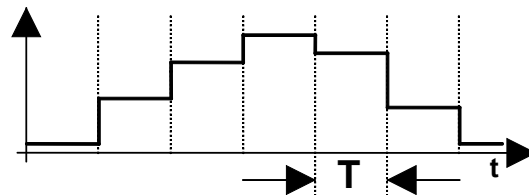
**Invert Motor Rotation/Direction Polarity**

Unit: -	Range: no / yes	Standard value: no
Reverse direction inverts the sense of rotation, i.e. the direction of movement of the motor is reversed in the case of equal setpoint.		

**Time frame predefined setpoint value**

Averaging and a following filter (interpolation) can help to avoid steps caused by discrete signals.

If the external signal is analog, there is no need to enter a value here (Value = 0). For discrete signals e.g. from a PLC, the scanning time (or cycle time) of the signal source is entered.



This function is only available if the analog interface +/-10V is used!

**4.1.7. Setpoint control**

Servo-drive behavior after activating or deactivating the X12/6 "energize motor" and X12/7 "setpoint value release" inputs can be set using ramps. Ramps are not supported in the operating mode "±10V analogue current setpoint value"

**Acceleration ramp: "setpoint value release"**

Unit: U/(s*s)	Range: 10 ... 10000	Standard value: 50
The entered value specifies the number of revolutions per second (rp/s) by which the rotation speed / velocity changes in 1second		

**Deceleration ramp "Enable setpoint"**

Unit: U/(s*s)	Range: 10 ... 10000	Standard value: 50
The entered value specifies the number of revolutions per second (rp/s) by which the rotation speed changes in 1second.		

**Please observe:**

The configured ramp is limited. The ramp will not be smaller than the deceleration set in the last motion set.

**Acceleration ramp: "energize motor"**

Unit: U/(s*s)	Range: 10 ... 10000	Standard value: 100
The entered value specifies the number of revolutions per second (rp/s) by which the rotation speed / velocity changes in 1second		

**Deceleration ramp: "energize motor"**

Unit: U/(s*s)	Range: 10 ... 10000	Standard value: 100
The entered value specifies the number of revolutions per second (rp/s) by which the rotation speed changes in 1second.		

**Please observe:**

The configured ramp is limited. The ramp will not be smaller than the deceleration set in the last motion set.

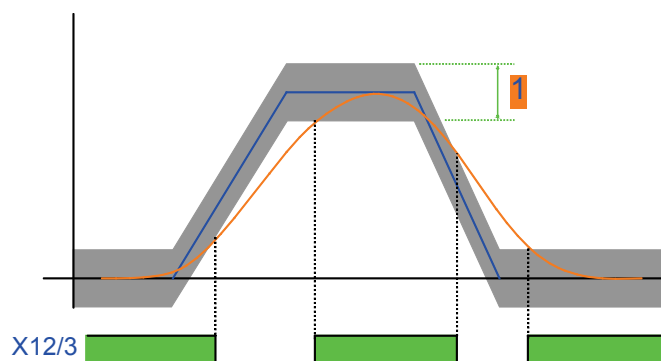
**4.1.8. Limit and monitoring settings**

In this chapter you can read about:

Nominal value window .....	105
Current (Torque) Limit .....	106
Maximum operating speed.....	106
Debouncing input I0.....	106
Error response.....	106

**4.1.8.1 Nominal value window**

The setpoint window is not supported in the operating mode "±10V analog current setpoint value"!



X12/3 = 24VDC indicates that the current rotation speed or position lies in the setpoint window (1).

**Nominal value window**

Unit: rpm or increments	Range: +/-0... 10000	Standard value: +/-10
Control deviation (setpoint value/actual value) < setpoint value window: Output "setpoint value in window" =24V		
Control deviation (setpoint value/actual value) < setpoint value window: Output "setpoint value in window" =0V		

**4.1.8.2 Current (Torque) Limit**

The current required by the speed controller is limited to the current limit.

**Torque limit**

Unit: % of M(nominal)	Range: 0 ... 400	Standard value: 200
The torque limit is specified as a percentage of the rated motor torque and is the maximum permitted continuous output torque of the servo drive.		
If the value is greater than 100% the motor may become overloaded and signal too high temperature so that the servo drive switches off.		

**4.1.8.3 Maximum operating speed**

The speed limitation is deduced from the maximum operating speed. In order to ensure control margins, the speed is limited to a higher value.

The speed setpoint value is actively limited to 1.1 times the given value.

If the speed actual value exceeds the preset maximum speed by 21% (= "switching off limit speed"), error 0x7310 is triggered.

**"Switching off limit of speed" with predefined analog current command value**

In the operating mode "±10V analogue current command value and encoder simulation" the speed setpoint is not limited actively.

If the speed actual value exceeds the preset "switching off limit speed" error 0x7310 is triggered.

**4.1.8.4 Debouncing input I0**

A majority gate is used for debouncing.

The signal is sampled every 0.5ms

The debounce time determines the number of scans the majority gate will perform.

If the level of more than half of the signals was changed, the internal status will change.

The debounce time can be set in the configuration wizard within the range of 0 ... 20ms.

The value 0 deactivates the debouncing.

**4.1.8.5 Error response**

Under "configuring: Error reaction" you can change the error reaction for individual **errors** (see on page 154) (the error no. which can be influenced is displayed).

Possible settings for the error reaction are:


- ◆ No response
- ◆ Downramp / stop
- ◆ Downramp / stromlos schalten (standard settings)


Note on Compax3H:

The error reaction upon the "low voltage DC" error (0x3222) is fixed to "downramp/deenergize" for Compax3H.

### 4.1.9. Configuration name / comments

Here you can name the current configuration as well as write a comment. Then you can download the configuration settings or, in T30 or T40 devices, perform a complete Download (with IEC program and curve).

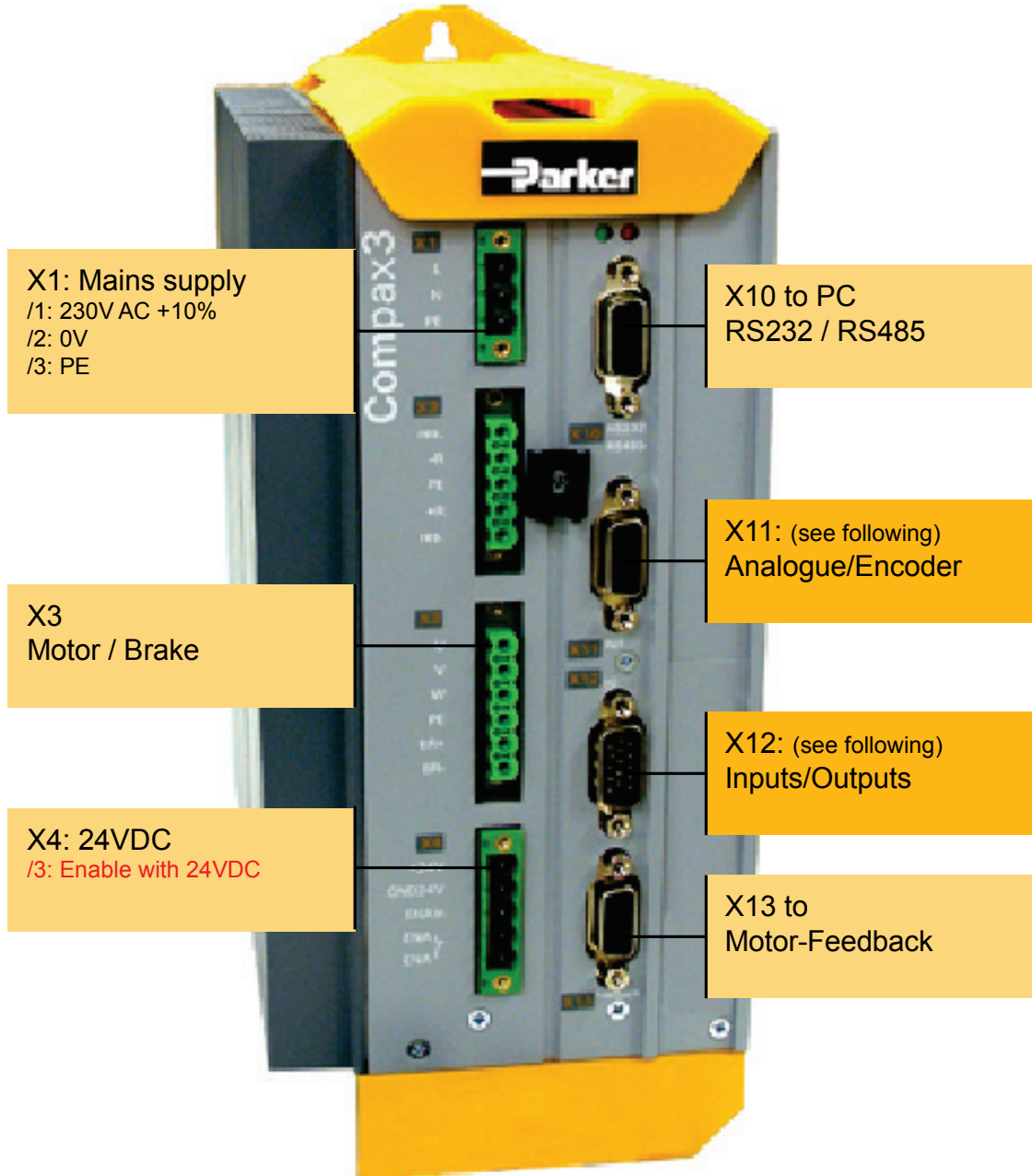
	<p><b>Caution!</b> Deactivate the drive before downloading the configuration software! <b>Please note!</b> Incorrect configuration settings entail danger when activating the drive. Therefore take special safety precautions to protect the travel range of the system.</p>
---	---

	<p><b>Mechanical limit values!</b> Observe the limit values of the mechanical components! Ignoring the limit values can lead to destruction of the mechanical components.</p>
---	---

## 4.2 Test commissioning: Compax3 S0xx V2 I10

For testing and understanding the function of the device, the required input connections are specified below for making simple movements.

### Required wiring:





**Operational enable of the servo controller:**

Plug/Pin	Assignment
X12/6 (Energize the motor)	= 24V DC (jumper to X12/1)
X12/7 (setpoint value release)	= 24V DC (jumper to X12/1)
X4/3 (Enable power output stage)	= 24V DC (jumper to X4/1)

**The further assignment of plug X11: "Analog/encoder" and X12: "Digital inputs/outputs" is dependent on the selected mode of operation.**

**In this chapter you can read about:**

Analog command interface +/-10V with encoder simulation .....	109
Step/Direction Input RS422 .....	109
Encoder input RS422.....	109
Encoder input 24V .....	110

**4.2.1. Analog command interface +/-10V with encoder simulation****Required wiring:**

Plug/Pin	Assignment
X11/9	Analog setpoint input; positive terminal
X11/11	Analog setpoint input; negative terminal

**Encoder simulation**

Plug/Pin	Assignment
X11/6	A/
X11/7	A
X11/8	B
X11/12	B/
X11/13	N/
X11/14	N

**4.2.2. Step/Direction Input RS422****Required wiring:**

Plug/Pin	Assignment
X11/6	Steps -
X11/7	Steps +
X11/12	Direction -
X11/8	Direction +

**4.2.3. Encoder input RS422****Required wiring:**

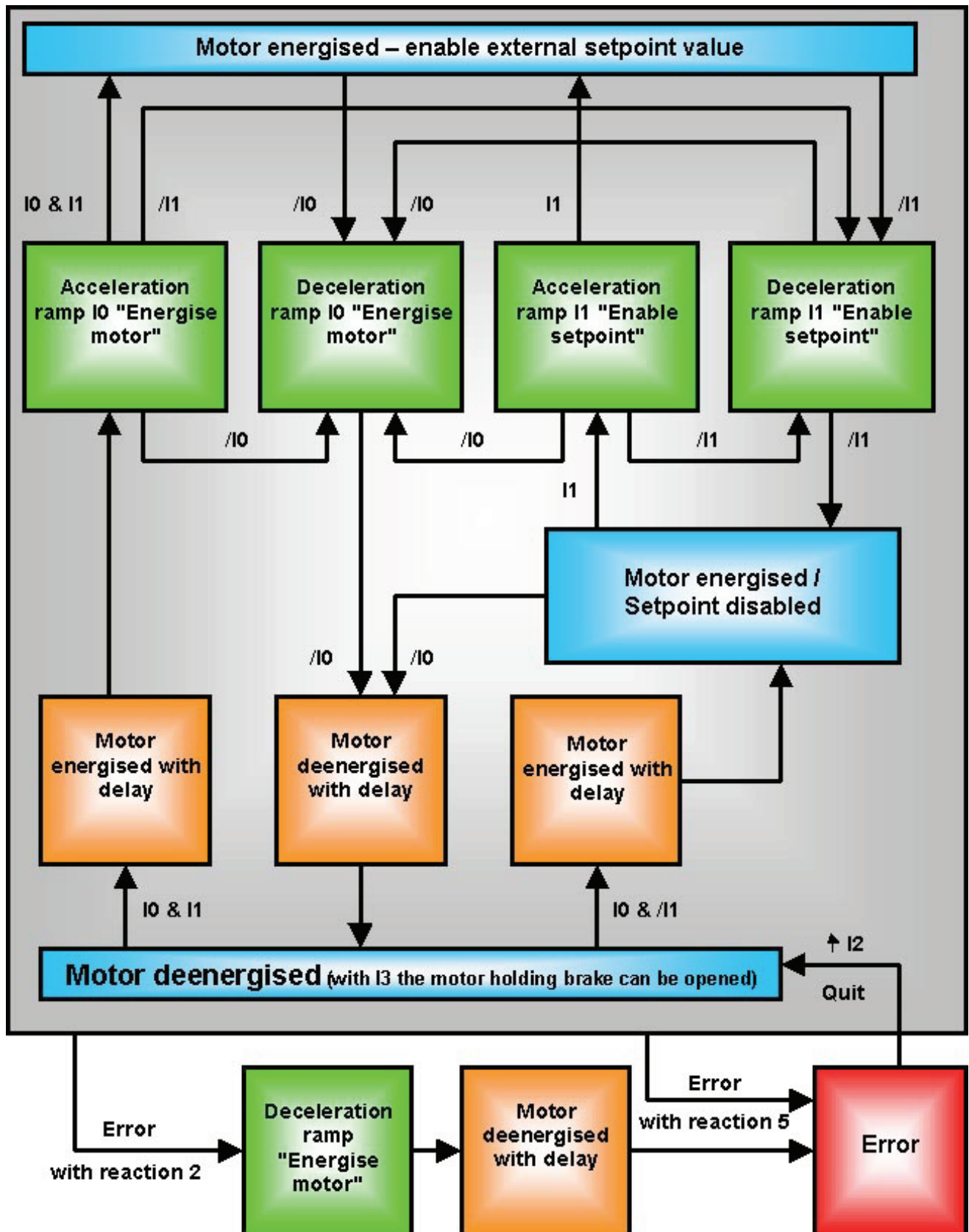
Plug/Pin	Assignment
X11/6	A/
X11/7	A
X11/12	B/
X11/8	B
X11/13	N/ (is not evaluated)
X11/14	N (is not evaluated)

#### 4.2.4. Encoder input 24V

**Required wiring:**

Plug/Pin	Assignment
X12/12	N (is not evaluated)
X12/13	A
X12/14	B
X12/15	0V

### 4.3 Device states



**Key:**

- ◆ I0, I1, I3: Input = 24VDC
- ◆ /I0, /I1: Input = 0V
- ◆ ↑I2: positive edge on I2

The device can be brought into various states via the inputs:

- ◆ I0: **Energize motor**,
- ◆ I1: **Enable setpoint** and
- ◆ I2: **Ackn**
- ◆ I3: **Open brake**

the device is brought into various device states.

The transitions are implemented via **ramps** (see on page 104) and the controlled switching of **motor brake** (see on page 135).

**The ramps are not used in the "±10V analog current setpoint" operating mode!**

An error can occur in any device state. For reactions to the different error causes please see the **Error list** (see on page 154).

## 4.4 Optimization

- ◆ Select the entry "**Optimization**" in the tree.
- ◆ Open the optimization window by clicking on the "**Optimization Tool**" button.

**In this chapter you can read about:**

Optimization window.....	113
Scope.....	114
Load identification.....	121
Controller Tuning.....	124
Input simulation.....	132
Setup mode.....	133
Alignment of the analog inputs.....	133
Turning the motor holding brake on and off.....	135

### 4.4.1. Optimization window

#### Layout and functions of the optimization window

**Segmentation**

Window 1:

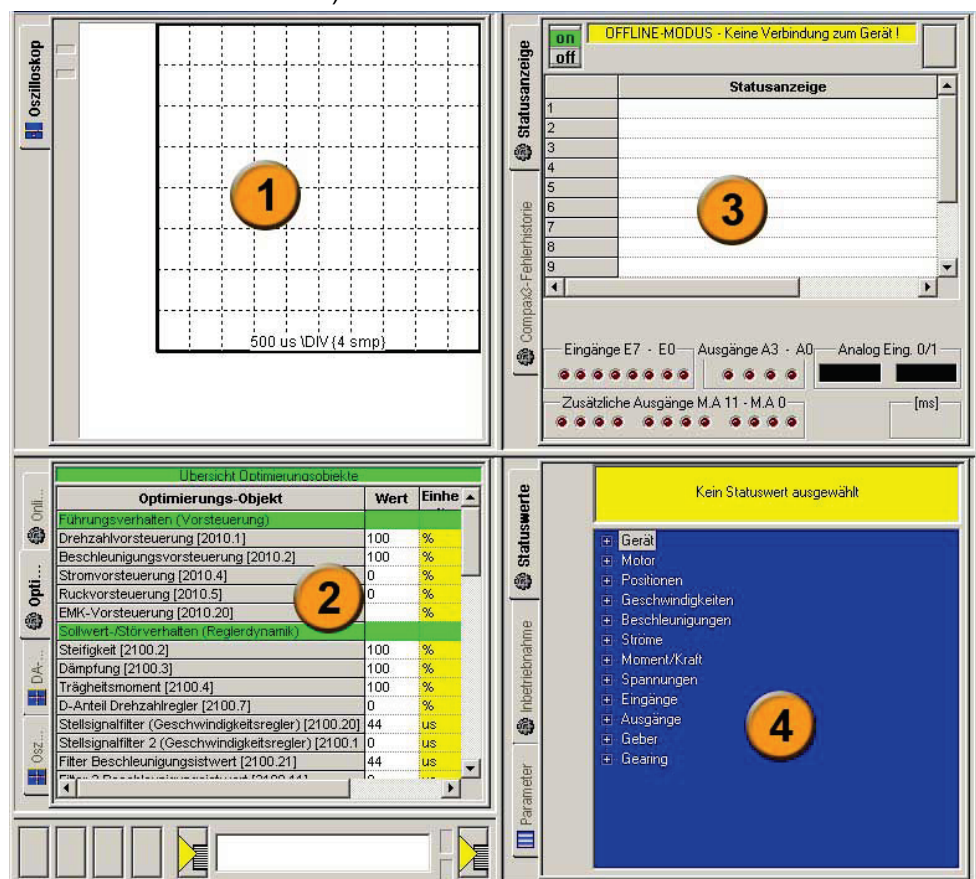
Window 2:

Window 3:

Window 4:

**Functions (TABs)**

- ◆ **Oscilloscope** (see on page 114)
- ◆ **Optimization: Controller optimization** (see on page 124)
- ◆ **D/A Monitor** (see on page 153): Output of status values via 2 analog outputs
- ◆ Scope Settings
- ◆ Status Display
- ◆ Compax3 Error History
- ◆ Status values
- ◆ Commissioning: **Setup mode** (see on page 133) with **load identification** (see on page 121)
- ◆ Parameters for commissioning, test movements (relative & absolute) and for load identification.



### 4.4.2. Scope

The integrated oscilloscope function features a 4-channel oscilloscope for the display and measurement of signal images (digital and analog) consisting of a graphic display and a user interface.

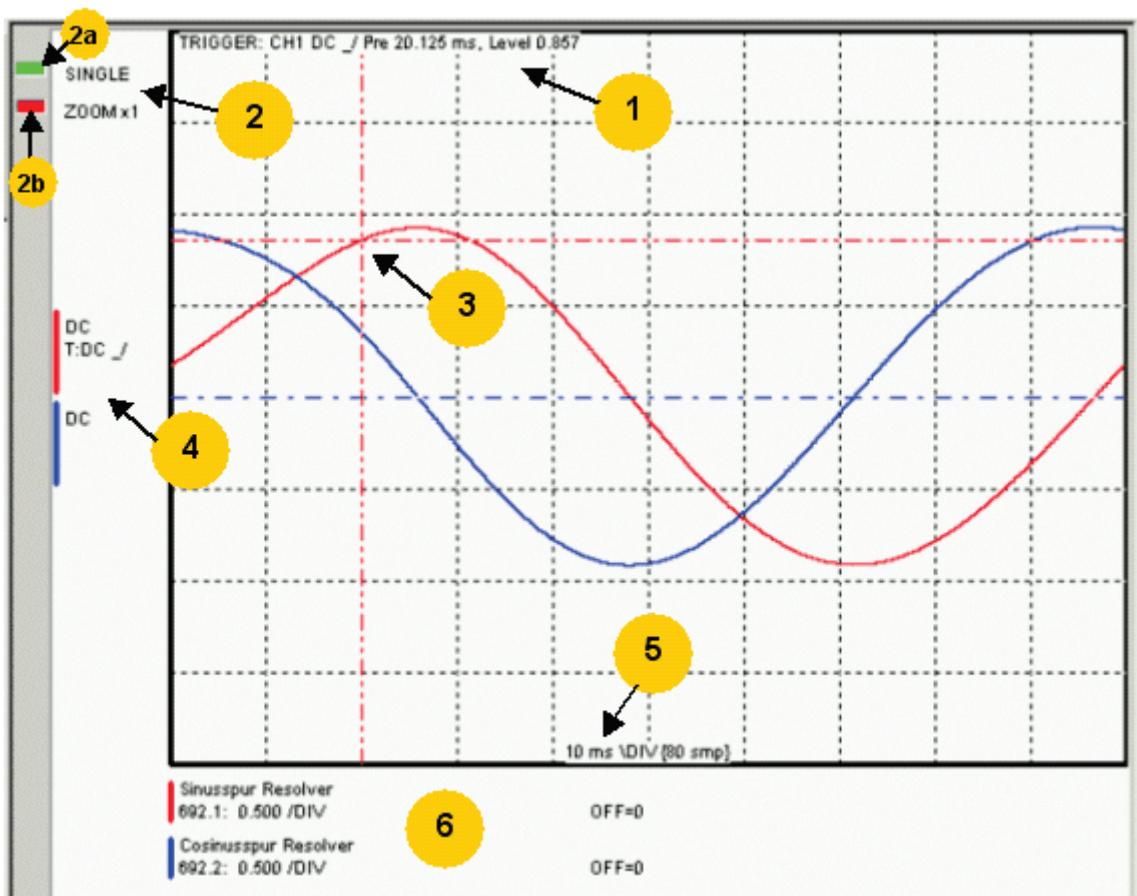
**Special feature:**

In the single mode you can close the ServoManager after the activation of the measurement and disconnect the PC from Compax3 and upload the measurement into the ServoManager later.

**In this chapter you can read about:**

Monitor information.....	114
User interface.....	115
Example: Setting the Oscilloscope.....	119

#### 4.4.2.1 Monitor information






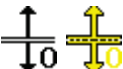

- 1: Display of the trigger information
- 2: Display of the operating mode and the zoom setting
- ♦ 2a: Green indicates, that a measurement is active (a measurement can be started or stopped by clicking here).
- ♦ 2b: Active channel: The active channel can be changed sequentially by clicking here (only with valid signal source).
- 3: Trigger point for Single and Normal operating mode
- 4: Channel information: Type of display and trigger setting; choice of the active channel
- 5: X-DIV: X deviation set
- 6: Single channel sources



**Cursor modes -functions**

Depending on the operating mode, different cursor functions are available within the osci monitor.

The functions can be changed sequentially by pressing on the right mouse button.

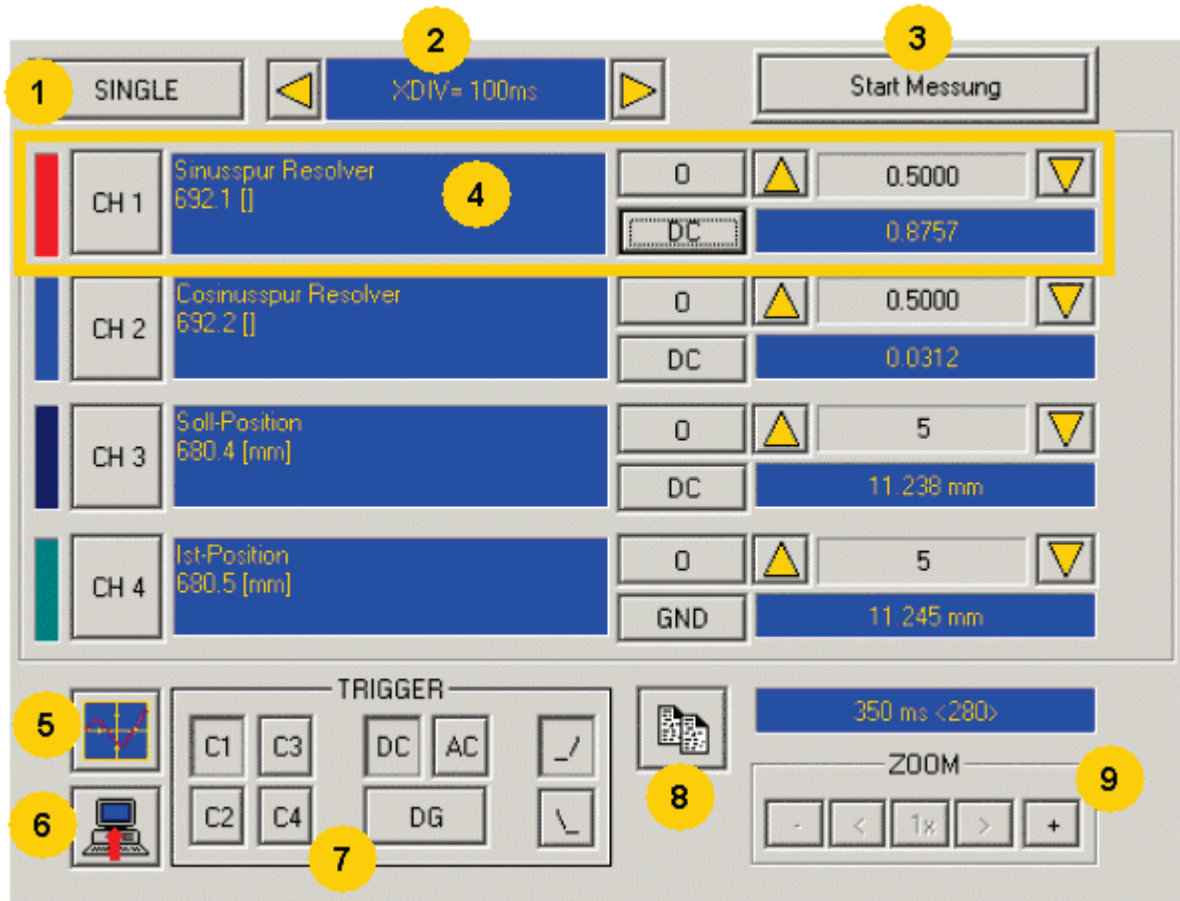
Cursor Symbol	Function
	Set Marker 1 the measurement values of the active channel as well as the Y difference to marker 2 are displayed
	Set Marker 2
	Delete and hide marker
	Move offset of the active channel. The yellow symbol indicates that the scrolling is active.
	Set trigger level and pretrigger

In the ROLL operating mode, marker functions and set trigger level positions are not available.

**4.4.2.2 User interface**

In this chapter you can read about:

Oscilloscope operating mode switch:.....	116
Setting the time basis XDIV .....	116
Settings for channels 1..4 .....	117
Trigger settings.....	118
Special functions .....	118



- 1: **Operating mode switch** (see on page 116) (Single / Normal / Auto / Roll)
- 2: **Setting the time basis** (see on page 116)
- 3: Starting / Stopping the measurement (prerequisites are valid channel sources and if necessary valid trigger settings.)
- 4: **Setting channel** (see on page 117) (Channels 1 ..4)
- 5: **Special functions** (see on page 118) (Color settings; memorizing settings and measurement values)
- 6: Loading a measurement from Compax3: in the single mode you can close the ServoManager after the activation of the measurement and disconnect the PC from Compax3 and upload the measurement later.
- 7: **Setting triggering** (see on page 118)
- 8: Copy osci display to clipboard
- 9: Zoom of the osci display (1, 2, 4, 8, 16 fold) with the possibility to shift the zoom window (<,>)

### Oscilloscope operating mode switch:

#### Oscilloscope operating mode switch:



Selection of the desired operating mode: SINGLE, NORMAL; AUTO and ROLL by clicking on this button.

Changing the operating mode is also permitted during a measurement. The current measurement is interrupted and started again with the changed settings.

The following operating modes are possible:

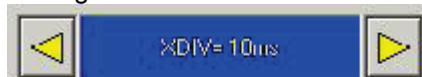
Operating mode	Short description
SINGLE	Single measurements of 1-4 channels with trigger on a freely selectable channel
NORMAL	Like Single, but after each trigger event, the measurement is started again.
AUTO	No Trigger. Continuous measuring value recording with the selected scanning time or XDIV setting
ROLL	Continuous measuring value recording of 1 .. 4 channels with selectable scanning time and a memory depth of 2000 measuring values per channel.

With SINGLE / NORMAL / AUTO, the measurement is made in Compax3 and is then loaded into the PC and displayed.

With ROLL, the measuring values are loaded into the PC and displayed continuously.

### Setting the time basis XDIV

Setting the time basis XDIV



Depending on the selected operating mode, the time basis can be changed via the arrow keys.



For the operating modes **SINGLE**, **NORMAL** and **AUTO**, the following **XDIV** time settings are possible:

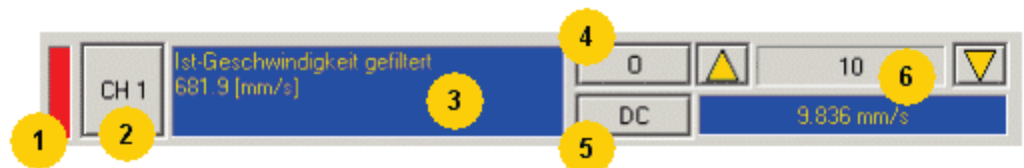
XDIV	Scanning time	Samples DIV/TOTAL	Measuring time
0.5 ms	125 us	4/40	5 ms
1.0 ms	125 µs	8/80	10 ms
2.0 ms	125 µs	16/160	20 ms
5.0 ms	125 µs	40/400	50 ms
10.0 ms	125 µs	80/800	100 ms
20.0 ms	1 ms	20/200	200 ms
50.0 ms	1 ms	50/500	500 ms
100.0 ms	2 ms	50/500	1 s
200.0 ms	2.5 ms	80/800	2 s
500.0 ms	10 ms	50/500	5 s
1s	12.50 ms	80/800	10 s
2s	25.00 ms	80/800	20 s
5s	62.50 ms	80/800	50s
10s	125.00 ms	80/800	100 s

For the operating **ROLL**, the following **XDIV** time settings are possible:

XDIV	Scanning time	Samples DIV/TOTAL
400 ms	2 ms	200/2000
1 s	5 ms	200/2000
2 s	10 ms	200/2000
4 s	20 ms	200/2000
10 s	50 ms	200/2000
20 s	100 ms	200/2000
40 s	200 ms	200/2000
100 s	500 ms	200/2000
200 s	1 s	200/2000

Changing the time basis is also permitted during an OSCI measuring sequence. This means, however, that the current measurement is interrupted and started again with the changed settings.

### Settings for channels 1..4



#### 1: Select channel color

#### 2: Open menu for channel-specific settings

- ◆ **Resetting channel CH 1..4:** All channel settings are deleted.  
Please note: Channels can only be filled with sources one after the other. It is, for example, not possible to start a measurement which has only a signal source for channel 2!
- ◆ **Select channel color:** Here you can change the color of the channel.
- ◆ **Show/hide channel:** Hide/show display of the channel.
- ◆ **Change logic display mask:** Mask bits in logic display.
- ◆ **Autoscale:** Calculating YDIV and offset: The program calculates the best settings for YDIV and channel offset in order to display the complete signal values optimally.

**3: Set signal source with object name, number and if necessary unit**

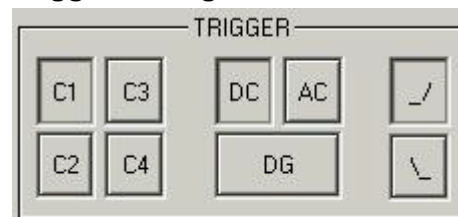
- ◆ Define source: Draw the desired status object with the mouse (drag & drop) from the "Status value" window (right at the bottom) into this area.  
Multiple oscilloscope in Compax3M: select device in addition to the object.

**4: Set Channel offset to 0****5: Select channel display (GND, DC, AC, DIG)**

- ◆ **DC**: Display of the measurement values with constant component
- ◆ **AC**: Display of the measurement values without constant component
- ◆ **DIG**: Display of the individual bits of an INT signal source.  
The displayed bits can be defined via the logic display mask.
- ◆ **GND**: A straight line is drawn on the zero line.

**6: Set Y-amplification (YDIV)**

Change of the Y amplification YDIV in the stages 1, 2, 5 over all decades.  
Arrow upwards increases YDIV, arrow downwards diminishes YDIV.  
The standard value is 1 per DIV.  
The measurement value of the channel at the cursor cross is displayed.

**Trigger settings**

Select trigger channel: Buttons C1, C2, C3, C4

Select trigger mode: DC, AC, DG

Selecting the trigger edge: Rising\_/ or falling \\_.

The pretrigger as well as the trigger level are set by clicking on the trigger cursor



( ) directly in the OSCI display.

**Special functions**

Menu with special oscilloscope functions such as memorizing or loading settings.

**Functions:**

- ◆ **Select background color**: Adapt background color to personal requirements.
- ◆ **Select grid color**: Adapt grid color to personal requirements.
- ◆ **Memorize OSCI settings in file**: The settings can be memorized in a file on any drive. The file ending is \*.OSC.
- ◆ The format corresponds to an INI file and is presented in the appendix.
- ◆ **Open OSCI settings from file**: Loading a memorized set of settings. The file ending is \*.OSC.
- ◆ **Memorizing OSCI settings in the project**: Up to four sets of OSCI settings can be memorized in the current C3 ServoManager project. .
- ◆ **Open OSCI settings from project**: If settings were memorized in the project, they can be read in again.
- ◆ **Memorize OSCI measurement in file**: Corresponds to memorizing the setting; the measurement values of the measurement are stored in addition. Thus it is possible to memorize and read measurements completely with settings. The file ending is \*.OSM.
- ◆ **Export measure samples to csv file**: e.g. for reading into Excel.

### 4.4.2.3 Example: Setting the Oscilloscope

#### SINGLE measurement with 2 channels and logic trigger on digital inputs

The order of the steps is not mandatory, but provides a help for better understanding.

As a rule, all settings can be changed during a measurement. This will lead to an automatic interruption of the current measurement and to a re-start of the measurement with the new settings:

**Assumption: A test movement in the commissioning mode is active.**

1.) Select OSCI operating mode



2.) Select Time basis XDIV



3.) Select channel 1 signal source digital inputs 120.2 from status tree with the aid of Drag & Drop

4.) Select channel 2 (filtered actual speed) via "Drag and drop" from the status tree

5.) Set trigger to channel 1 and DG.

Input of the mask in HEX

Triggering a rising edge to input I1.

BIT 0 (value 1) = I0

BIT 1 (value 2) = I1

BIT 2 (value 4) = I2 etc.

Trigger to input	I0	I1	I2	I3	I4	I5	I6	I7
Trigger mask in hex	1	2	4	8	10	20	40	80

The masks can also be combined so that the trigger is only active, if several inputs are active. Example: Triggering to I2 and I5 and I6 -> 4h + 20h + 40h = 64h

The mask for input I1 is in this case 2.

Select rising edge.

NOTE: If the trigger mask DG (digital) is selected for a channel, the display mode of the trigger channel is automatically set to DIG display.

6.) Start measurement

7.) Set pretrigger in the OSCI window

Note: There is no level for the DIG trigger. The the event limit determines the mask. If a trigger event occurs, the measurement values are captured until the measurement is completed.

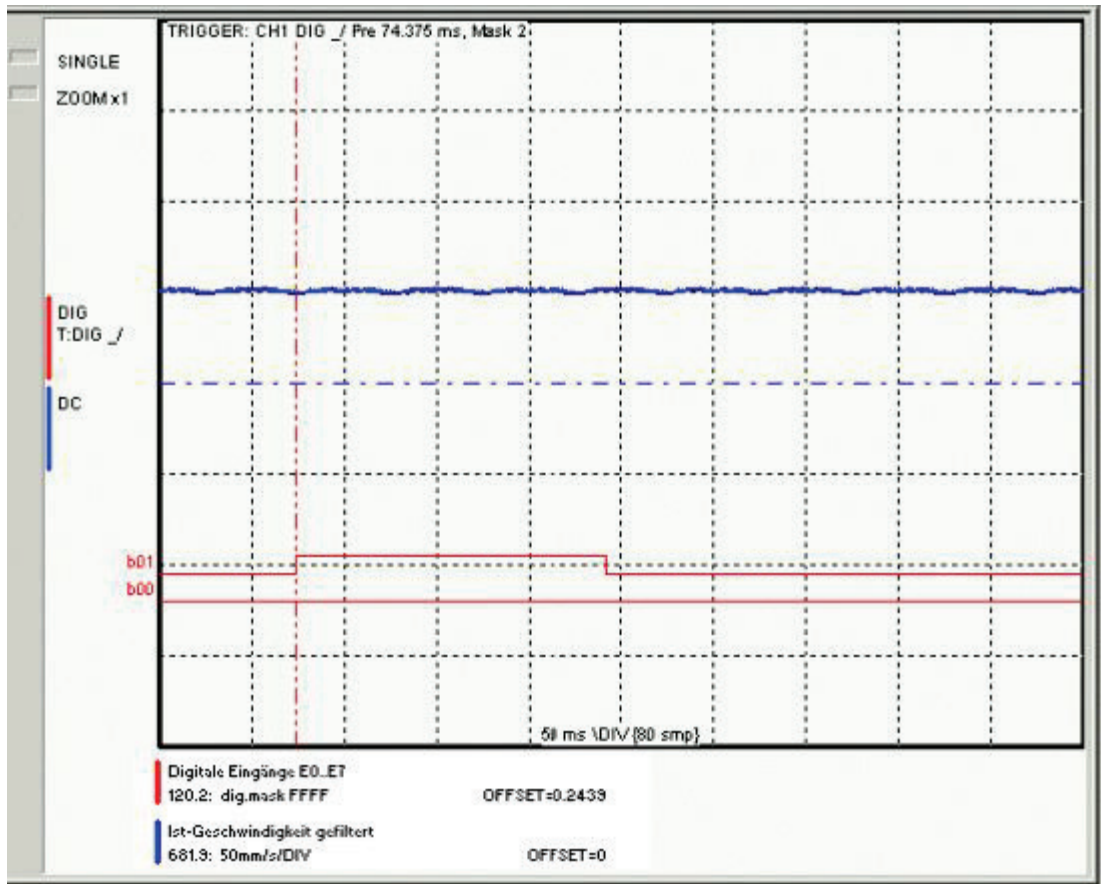
Afterwards, the measurement values are read from the Compax3 and displayed.

The display mask of trigger channel 1 was not yet limited, therefore it shows all 16 bit tracks (b0...b15). In order to limit it to 8 bit tracks, you must call up the menu for channel 1 via [CH1] and select "change logic of display mask [H].

Limit the display mask to 8 bit tracks with Mask FFh.

In the display the bit tracks b0 to b7 are now shown:

**Example: Only b0 and b1 are to be displayed: Set display mask to 03**



### 4.4.3. Load identification

Automatic determination of the load characteristic value:

- ◆ of the mass moment of inertia with rotary systems
- ◆ of the mass with linear systems.

**In this chapter you can read about:**

Principle .....	121
Boundary conditions .....	121
Process of the automatic determination of the load characteristic value (load identification).....	122
Tips .....	123

#### 4.4.3.1 Principle

The load characteristic value is automatically determined.

For this it is necessary to excite the system additionally with a signal (excitation signal = noise).

The excitation signal is fed into the control loop. The control loop dampens the excitation signal. Therefore, the superimposed control loop is set so slowly by reducing the stiffness, that the measurement is not influenced.

A superimposed test movement is additionally possible. This helps to eliminate possible mechanical effects such as rubbing caused by friction.

#### 4.4.3.2 Boundary conditions

If the control is instable before the beginning of the measurement, please reduce the stiffness (in the optimization window at the left bottom)

The following factors can disturb a measurement:

- ◆ Systems with high friction (e.g. linear actuators with sliding guide)  
Here, the systems where the static friction is considerably higher than the kinetic friction (slip-stick effect) are especially problematic.
- ◆ Systems with significant slack points (play)
- ◆ Systems with "too light" or susceptible to oscillation bearing of the total drive (rack).  
Formation of rack resonances. (e.g. with gantries,...)
- ◆ Non constant disturbance forces which influence the speed development. (e.g. extremely strong slot moments)

The effects of the factors one to three on the measurement can be reduced by using a test movement.

#### **Caveat emptor (exclusion of warranty)**

Due to multiple possibilities for disturbing influences of a real control path, we cannot accept any liability for secondary damages caused by faultily determined values. Therefore it is essential to verify all values automatically determined before loading them into the control loop.

#### 4.4.3.3 Process of the automatic determination of the load characteristic value (load identification)

- ◆ Please click on "unknown: default values are used" in the configuration wizard in the "External moment of inertia" window.
- ◆ After the configuration download, you can enter directly, that the optimization window is to be opened.
- ◆ In the Commissioning window (left at the bottom) change to commissioning mode.
- ◆ Finally enter the values of the excitation signal and of the test movement in the parameter window.  
Parameters of the excitation signal:
  - ◆ Amplitude of the excitation signal in % of the motor reference current  
Only an amplitude value causing a distinct disturbance can give a usable result.
  - ◆ permissible following error  
In order to avoid a following error caused by the excitation signal, the permissible following error must be increased for the measurement if necessary.
  - ◆ Selection of the test movement: inactive, reverse, continuous
  - ◆ Parameterizing of the test movement if necessary
- ◆ Now energize drive and open load identification window in the commissioning window.



#### **Caution! Safeguard the travel range before energizing!**

- ◆ Starting the load identification.



#### **Caution! The drive will perform a jerky movement during load identification!**

- ◆ After the measurement, the values can be accepted. Depending on the application, 2 measurements for minimum external load and maximum external load are recommended.

## 4.4.3.4 Tips

Tip	Problem	Measures
1	Speed too low (with reverse operation)	Increase maximum speed and adapt travel range*
2	Speed too low (with continuous operation)	Increase maximum speed
3	Test movement missing	A test movement is important for drives with high friction or with mechanical slack points (play).
4	No error detected	Please note the <b>boundary conditions</b> (see on page 121).
5	Speed too low and amplitude of the excitation signal too small (with reverse operation)	Increase amplitude of the excitation signal; increase maximum speed and adapt travel range*
6	◆ Speed too low and ◆ amplitude of the excitation signal too small (with continuous operation)	Increase amplitude of the excitation signal; increase maximum speed.
7	◆ Test movement missing ◆ amplitude of the excitation signal too small	◆ Increase amplitude of the excitation signal or / and ◆ activate an appropriate test movement
8	amplitude of the excitation signal too small	Increase the amplitude of the excitation signal.
9	Following error occurred	Increase the parameter "permissible following error" or decrease the amplitude of the excitation signal.

\*if the travel range is too short, the speed is not increased, as the drive does not reach the maximum speed.

### 4.4.4. Controller Tuning

In this chapter you can read about:

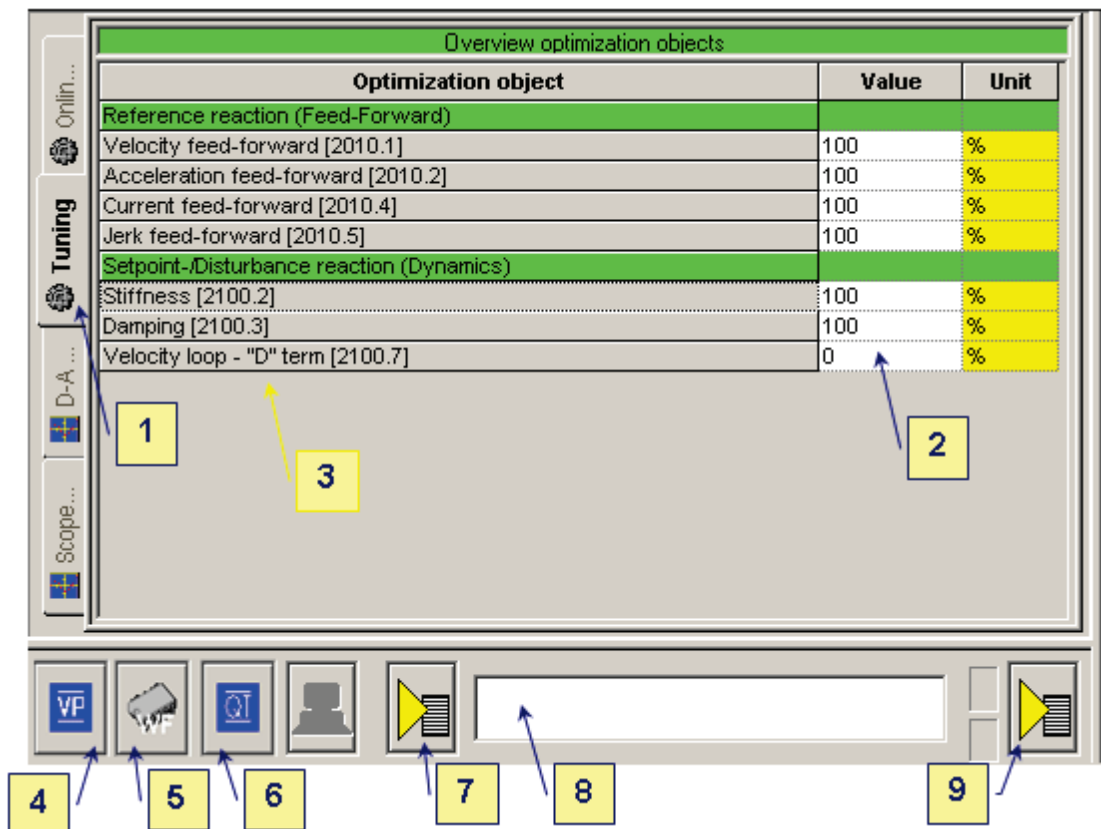
Velocity loop stiffness .....	125
Velocity loop damping.....	125
Filter - Actual velocity.....	126
Advanced control parameters .....	126

The controller optimization of the Compax3 is carried out by setting the optimization objects in 2 steps:

- ◆ Via the standard settings, with the help of which many applications can be optimized in a simple manner.
- ◆ With advanced settings for users familiar with control loops.

#### Editing the optimization objects

The settings are made in the controller optimization window:



- 1: Selection of the optimization tab
- 2: Selection of the optimization value
- 3: List of the optimization objects, with object name and object number
- 4: Command VP for accepting a changed optimization object. Yellow background indicates that an object was changed, however not yet set to valid with VP.
- 5: Command WF for permanently saving the changed objects (also after mains off/on)
- 6: Acknowledging a Compax3 error
- 7: Setting options:
  - ◆ Standard / Advanced mode
  - ◆ Load protocol to clipboard, load into notepad or delete
- 8: Editing window: The value of an object selected with the aid of the mouse (in 3) can here be edited and confirmed with return.
- 9: Additional functions, depending on the Compax3 technology function.



### 4.4.4.1 Velocity loop stiffness

**The stiffness is proportional to the control loop speed.**

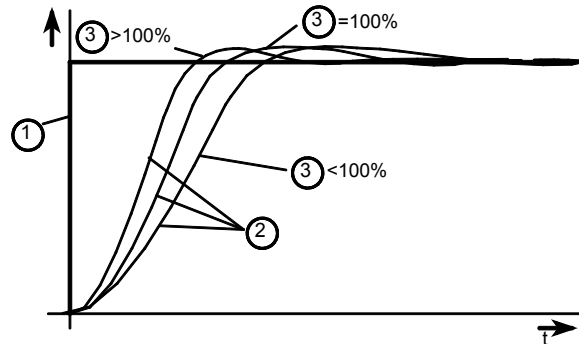
Nominal value: 100%

**On increasing stiffness:**

Control action becomes faster. The control loop oscillates above a critical threshold value. Set the stiffness with an adequate safety margin with respect to the oscillation threshold value.

**On decreasing stiffness:**

Control action becomes slower. This increases the tracking error. Current limiting will be reached later.



- 1: Setpoint value
- 2: Actual value
- 3: Rigidity

### 2100.2: Velocity loop stiffness

Unit: %	Range: 10 ... 100 000	Standard value: 100%
The stiffness is proportional to the control loop speed.		

### 4.4.4.2 Velocity loop damping

**The damping influences the Setpoint value overshoot magnitude and the decay time constant of control loop oscillation.**

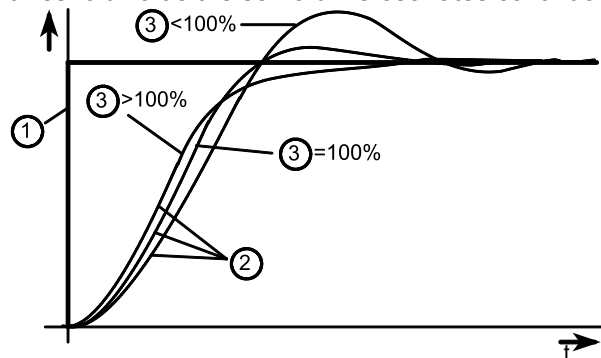
Nominal value: 100%

**On increasing the damping:**

Overshoot decreases. High frequency oscillation of the servo drive takes place as from a certain threshold value.

**On decreasing the attenuation**

The Setpoint value overshoot of the actual value increases, and the actual value oscillates for a longer time above and below the Setpoint value. As from a certain threshold value the servo drive oscillates continuously.



- 1: Setpoint value
- 2: Actual value
- 3: Damping

**2100.3: Velocity loop damping**

Unit: %	Range: 0 ... 500	Standard value: 100%
The damping influences the Setpoint value overshoot magnitude and the decay time constant of control loop oscillation.		

**4.4.4.3 Filter - Actual velocity**

Can be used to improve (filter) the rotation speed signal. The greater the value, the stronger becomes the filter effect. However, the rotation speed delay increases with this value, so that the maximum possible control loop dynamic range becomes smaller with values which are too large.

- ◆ If you use motors with high-quality feedback systems (SinCos® / EnDat / SineCosine feedback) and low vibration mechanics, set the value to 0.
- ◆ In the case of large load inertia in relation to the moment of inertia of the motor, a large value can achieve further improvement in the attainable stiffness.

**2100.5: Filter - Actual velocity**

Unit: %	Range: 0 ... 500	Standard value: 100%
This is used to improve signals (filtering) of the speed control signal		

**4.4.4.4 Advanced control parameters**

The Statuswerte are divided into 2 groups (user levels):

- standard:** here you can find all important Statuswerte
- advanced:** Advanced Statuswerte requiring a better knowledge

**Switching of the user level**

The user level can be changed in the optimization window (left hand side lower part under selection (TAB) "optimization") with the following button.

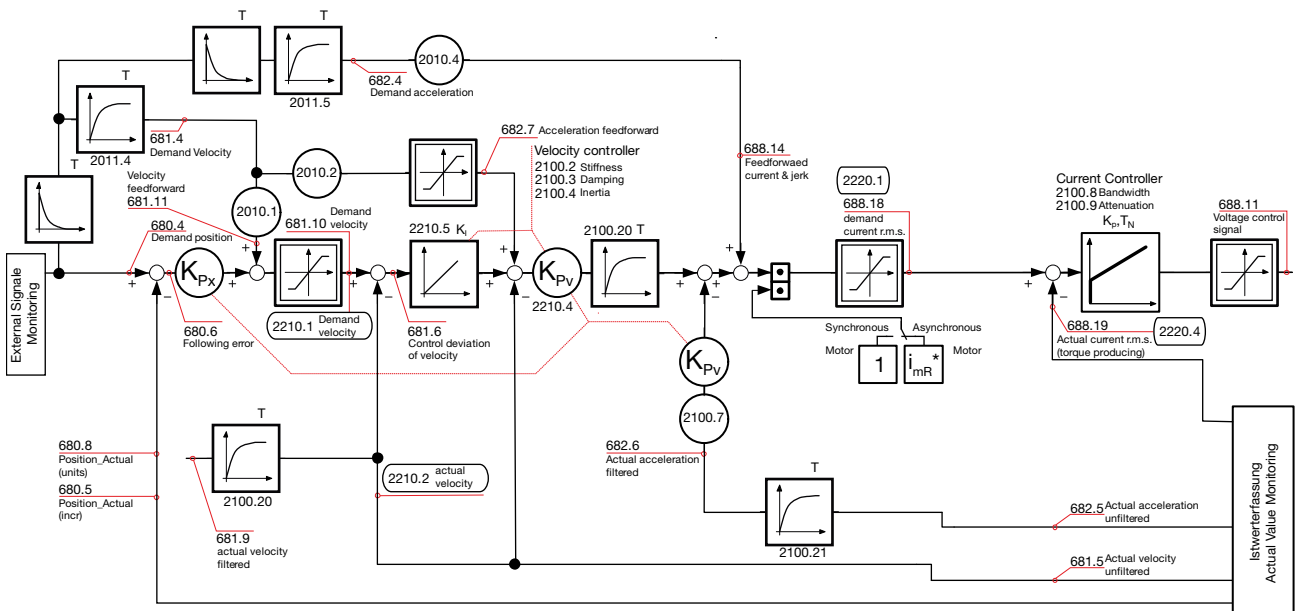


**Controller structures**

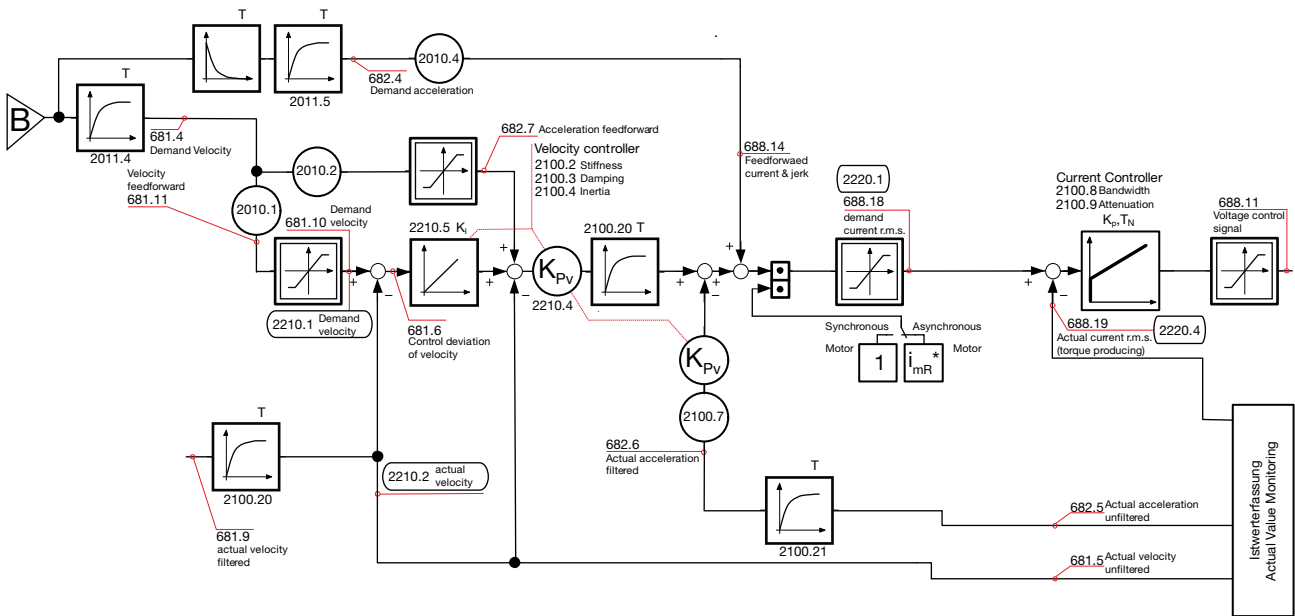
In this chapter you can read about:

Controller structure step/direction or encoder input .....	126
±10V analog speed setpoint .....	127
±10V analog current setpoint .....	127

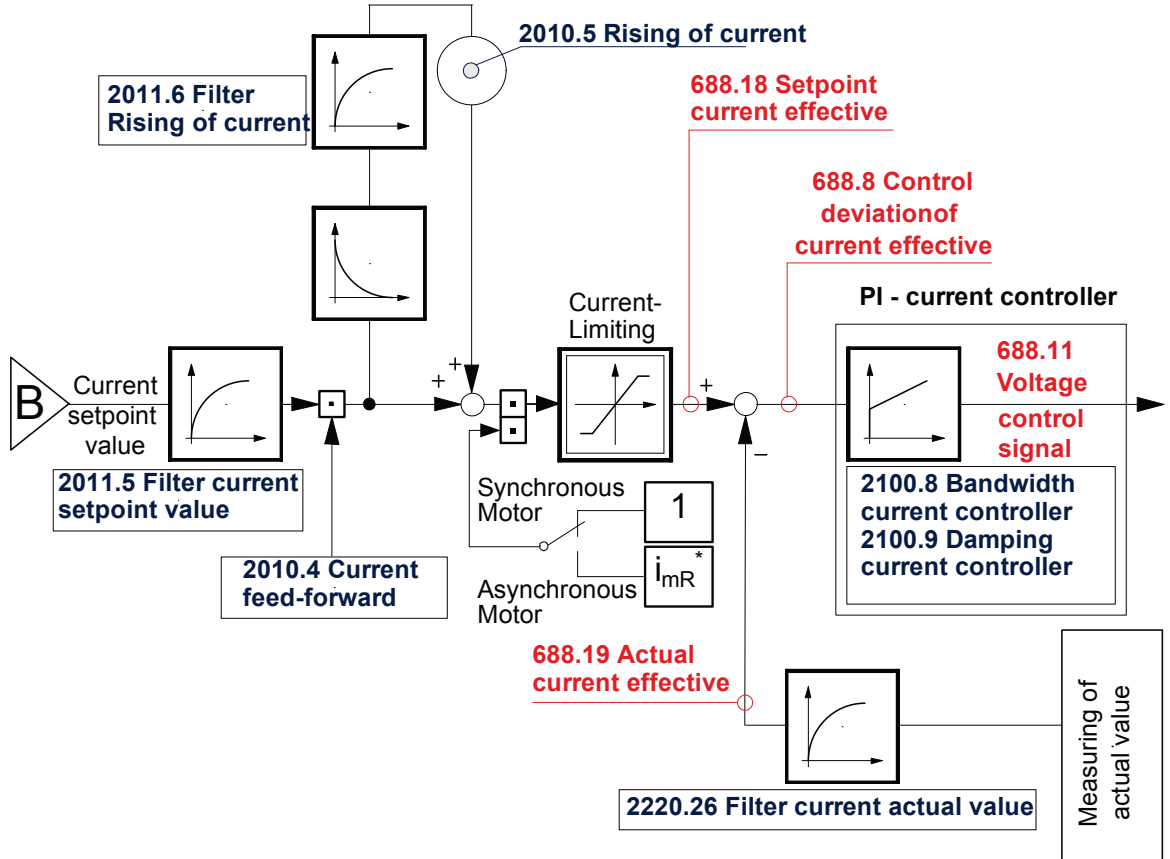
**Controller structure step/direction or encoder input**



**±10V analog speed setpoint**



**±10V analog current setpoint**



**Controller settings**

**2100.8: Current regulator bandwidth**

Unit: %	Range: 10 ... 200	Standard value: 50%

**2100.9: Current loop - Damping**

Unit: %	Range: 0 ... 500	Standard value: 100%

**2100.7: D-component of speed controller**

Unit: %	Range: 0 ... 4 000 000	Standard value: 0

**2100.6: Filter - Actual acceleration**

Unit: %	Range: 0 ... 550	Standard value: 100

**2100.4: Moment of Inertia**

Unit: %	Range: 10 ... 500	Standard value: 100%

**Position controller**

For motors with distinct transition from static friction to kinetic friction in connection with a noisy feedback signal, where a control oscillation is generated at standstill, 3 optimization objects are available:

- ◆ Deadband (Object 2200.20)
- ◆ Following error filter (object 2200.11) and
- ◆ Friction compensation (Object 2200.21)

**Application:** The control oscillation at standstill is eliminated by the deadband. Please note, however, that the possible exactitude is reduced by the deadband. The use of the following error filter and the friction compensation can reduce the deadband.

**Noisy feedback signal:**

A noisy feedback signal necessitates to set an unnecessarily large deadband. To avoid this, the time constant of the following error filter can be increased.

**Friction compensation**

The following error can be reduced faster with the aid of friction compensation, which will reduce the deadband.

**Note:** The objects (deadband, following error filter, friction compensation) are stored in the motor library. Therefore these objects are overwritten when configuring another motor.

**PowerRod**

When configuring a PowerRod, the deadband (+/-25µm) and the following error are preassigned, the friction compensation is switched off.

**Remaining motors of the motor library**

For all other motors (not PowerRod), the objects are preassigned with "0".

**Forward control measures**

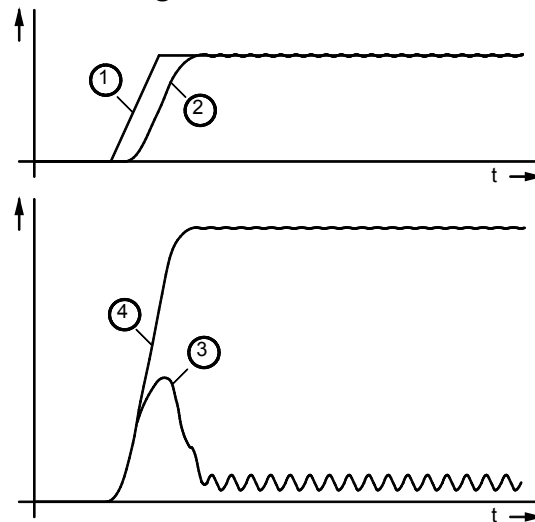
**Forward control of rotation speed, acceleration and current**

- Advantages:**
- ◆ Minimal following error
  - ◆ Improves the transient response
  - ◆ Gives greater dynamic range with lower maximum current

**Principle:** A positioning is calculated in the Setpoint value plate and specified as the Setpoint value for the position controller. This provides the Setpoint value plate with the preliminary information on changes in speed, acceleration and current required for positioning. Switching this information to the controller then makes it possible to reduce tracking errors to a minimum. The transient response of the controller is also improved and the drive dynamics are increased.

**The stability of the control loop is unaffected by the forward control.**

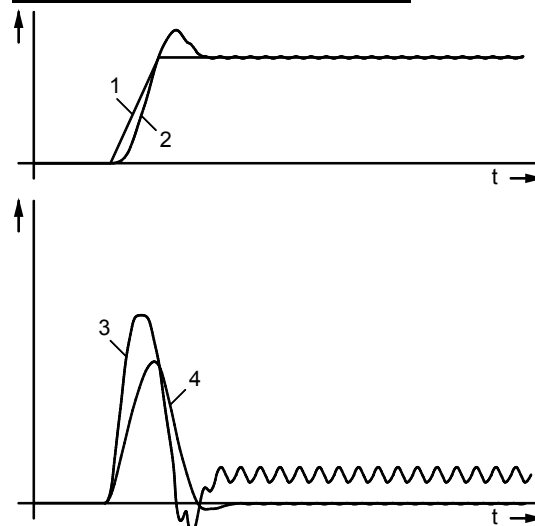
**Positioning without forward control:**



**2010.1: Speed feedforward**

Unit: %	Range: 0 ... 500	Standard value: 100%
---------	------------------	----------------------

**Effect of the speed feedforward**



- 1: Speed setpoint value
- 2: Actual speed value
- 3: Motor current
- 4: Following error

**2011.1: Filter external rotation speed feedforward**

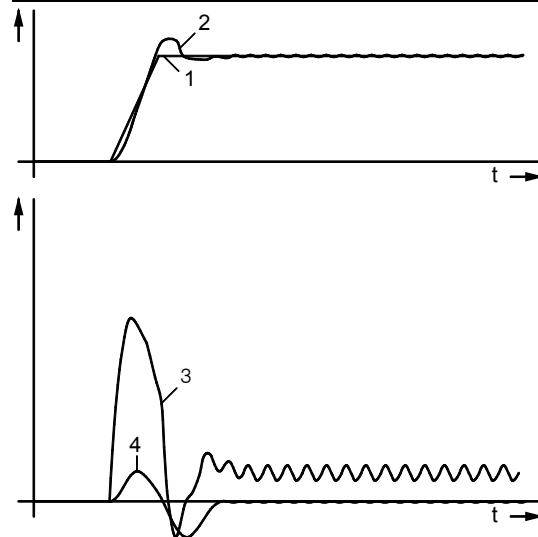
Unit: %	Range: 0 ... 550	Standard value: 500*

\* Depending on the operating mode  
 With  $\pm 10V$  analog setpoint control the standard value = 0; otherwise 500.

**2010.2: Acceleration feed-forward**

Unit: %	Range: 0 ... 500	Standard value: 100%

**Additional effect of forward acceleration control**



- 1: Speed setpoint value
- 2: Actual speed value
- 3: Motor current
- 4: Following error

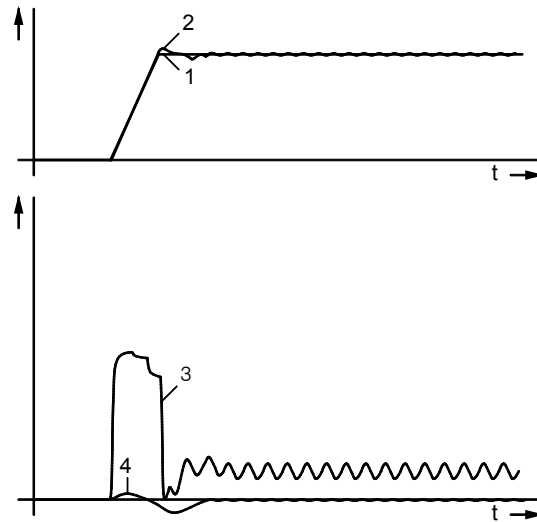
**2011.2: Filter external acceleration feedforward**

Unit: %	Range: 0 ... 550	Standard value: 500%

**2010.4: Current feed-forward**

Unit: %	Range: 0 ... 500	Standard value: 0%

**Additional effect of current feedforward**



- 1: Speed setpoint value
- 2: Actual speed value
- 3: Motor current
- 4: Following error

**Rising of current (Para)**

**2010.5: Current rise**

Unit: %	Range: 0 ... 500	Standard value: 0%
Influences the rising of current		

**Filter rising of current (Para)**

**2011.3: Filter current rise**

Unit: %	Range: 0 ... 550	Standard value: 500%

## 4.4.5. Input simulation

**Function:** The input simulation is used for the performance of tests without the complete input/output hardware being necessary. The digital inputs (standard and inputs of M10/M12 option) as well as the analog inputs are supported. The following operating modes are available for digital inputs:

- ◆ The physical inputs are deactivated, the digital inputs are only influenced via the input simulation.
- ◆ The digital inputs and the physical inputs are logically or-linked. This necessitates very careful action, as the required function is, above all with low-active signals, no longer available.

The pre-setting of an analog input value is always made in addition to the physical analog input.

The function of the inputs depends on the Compax3 device type; please refer to the respective online help or the manual.

**The input simulation is only possible if the connection with Compax3 is active and if the commissioning mode is deactivated!**

### In this chapter you can read about:

Calling up the input simulation .....	132
Operating Principle .....	132

### 4.4.5.1 Calling up the input simulation

Open the optimization window (double click in the C3 ServoManager tree entry: Optimization).  
Activate the Tab "Setup" in the right lower window.  
Clicking on the following button will open a menu; please select the input simulation.



### 4.4.5.2 Operating Principle

Window Compax3 InputSimulator:

- 1. Row:** Standard Inputs E7 ... E0 = "0" button not pressed; = "1" switch pressed
- 2. Row:** Optional digital inputs (M10 / M12)  
Green field: port 4 is defined as input  
Red field: port 4 is defined as output  
the least significant input is always on the right side
- 3. Row:** If the button "deactivating physical inputs" is pressed, all physical, digital inputs are deactivated; only the input simulation is active.  
If both sources (physical and simulated inputs) are active, they are or-linked!



#### **Caution!**

Please consider the effects of the or-linking; above all on low-active functions.

- 4. Row:** Simulation of the analog inputs 0 and 1 in steps of 100mV.  
The set value is added to the value on the physical input.

**After the input simulation has been called up, all simulated inputs are on "0".**

**When the input simulation is left, the physical inputs become valid.**



## 4.4.6. Setup mode

The setup mode is used for moving an axis independent of the system control  
The following functions are possible:

- ◆ Homing run
- ◆ Manual+ / Manual-
- ◆ Activation / deactivation of the motor holding brake.
- ◆ Acknowledging errors
- ◆ Defining and activating a test movement
- ◆ Activating the digital outputs.
- ◆ **Automatic determination of the load characteristic value** (see on page 121)
- ◆ Setup of the load control

### Activating the commissioning mode



By activating the setup mode, das Steuerungsprogramm (IEC-Programm) is deactivated; the system function of the device is no longer available.

Access via an interface (RS232/RS485, Profibus, CANopen,...) and via digital inputs is deactivated. (if necessary, acyclic communication ways are nevertheless possible (e.g. Profibus PKW channel))

#### **Caution!**

**The safety functions are not always guaranteed during the setup mode!  
This will for instance lead to the fact that the axis may trundle to a stop if the Emergency stop button is pressed (interruption of the 24 V on C3S X4.3), which requires special caution with z axes!**

- ◆ In the Commissioning window (left at the bottom) the commissioning mode is activated.
- ◆ Then parameterize the desired test movement in the Parameter window.  
You can accept changed configuration settings into the current project.
- ◆ Now energize drive in the commissioning window and start the test movement.



### Caution! Safeguard the travel range before energizing!

### Deactivating the commissioning mode



If the setup mode is left, the drive is deactivated and the das Steuerungsprogramm (IEC-Programm) is re-activated.

- Note:**
- ◆ The parameters of the commissioning window are saved with the project and are loaded into Compax3 if the commissioning mode is activated (see explanation below).

## 4.4.7. Alignment of the analog inputs

### In this chapter you can read about:

Offset alignment .....	134
Gain alignment .....	134

There are two possibilities to align the analog inputs in the optimization window:

- ◆ Wizard-guided under commissioning: Commissioning functions (click on the yellow triangle with the left mouse button:

#### **Attention”**

This wizard guided automatic alignment does not work if you bridge Ain+ with Ground for the alignment!

In this case, please make a manual alignment as described below.

or

- ◆ by directly entering under optimization: Analog Input

#### 4.4.7.1 Offset alignment

Performing an offset alignment when working with the  $\pm 10\text{V}$  analog interface in the optimization window under optimization: Analog input Offset [170.4].

Enter the offset value for 0V input voltage.

The currently entered value is shown in the status value "analog input" (optimizing window at the top right) (unit: 1  $\equiv$  10V). Enter this value directly with the same sign as offset value.

The status value "analogue input" shows the corrected value.

#### 4.4.7.2 Gain alignment

Performing an offset alignment when working with the  $\pm 10\text{V}$  analog interface in the optimization window under optimization: Analog input: Gain [170.2].

A gain factor of 1 has been entered as default value.

The currently entered value is shown in the status value "analog input" (optimizing window at the top right).

The status value "analogue input" shows the corrected value.

### 4.4.8. Turning the motor holding brake on and off

Compax3 controls the holding brake of the motor and the power output stage. The time behavior can be set.

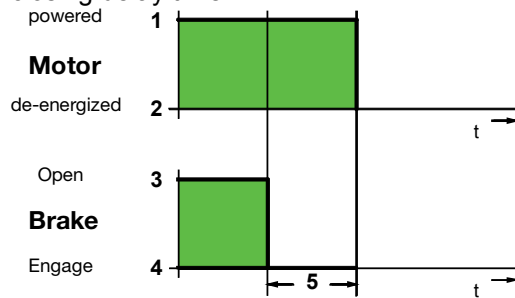
**Application:**

With an axis that is subject to momentum when it is halted (e. g. for a z-axis) the drive can be switched on and off such that no movement of the load takes place. The drive thereby remains energized during the holding brake response time. This is adjustable.

**The power output stage current is de-energized by:**

- ◆ Error or
- ◆ I0=X12/6="0"

Thereafter the motor is braked to zero rotation speed on the set ramp. When zero speed is reached, the motor is de-energized with the delay "brake closing delay time".



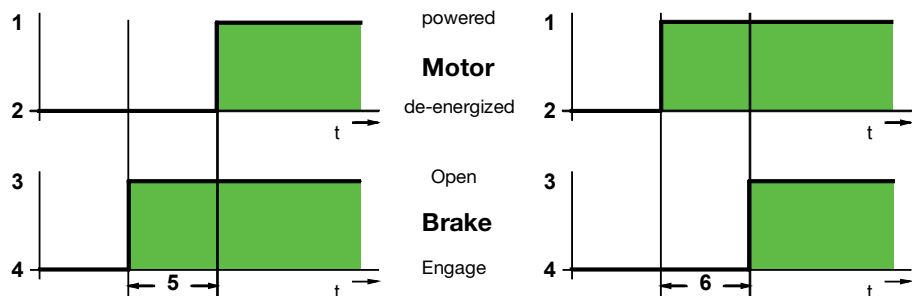
- 1: Motor powered
- 2: Motor de-energized
- 3: Open brake
- 4: Engage the brake
- 5: Brake closing delay time

**The power output stage is enabled by:**

- ◆ Quit (after error; precondition X12/6 = 24V)
- ◆ I0=X12/6 = 24V
- ◆ after power on (only when device is already configured)

The motor is energized with the delay "delay time for brake release":

**brake closing delay time > 0**                      **brake closing delay time < 0**



- 1: Motor powered
- 2: Motor de-energized
- 3: Open brake
- 4: Engage the brake
- 5: Delay time for brake release (positive value)
- 6: Delay time for brake release (negative value)

A negative value (6) can be used to energize the motor and then to release the brake after the given time.

# 5. Communication

**In this chapter you can read about:**

Compax3 communication variants ..... 136  
 COM port protocol ..... 145  
 Remote diagnosis via Modem ..... 150

## 5.1 Compax3 communication variants

**In this chapter you can read about:**

PC <-> Compax3 (RS232) ..... 136  
 PC <-> Compax3 (RS485) ..... 138  
 PC <-> C3M device combination (USB) ..... 139  
 USB-RS485 Moxa Uport 1130 adapter ..... 140  
 ETHERNET-RS485 NetCOM 113 adapter ..... 141  
 Modem MB-Connectline MDH 500 / MDH 504 ..... 142  
 C3 settings for RS485 two wire operation ..... 143  
 C3 settings for RS485 four wire operation ..... 144  
 Overview of all possible communication modes between Compax3 devices and a PC.

### 5.1.1. PC <-> Compax3 (RS232)

**PC <-> Compax3 (RS232): Connections to a device**

PC (RS232 COM)



115kb



PC (Virtueller ComPort)



USB/RS232



115kb



PC (Virtueller ComPort)



10/100/1000Mb



Ethernet (LAN)

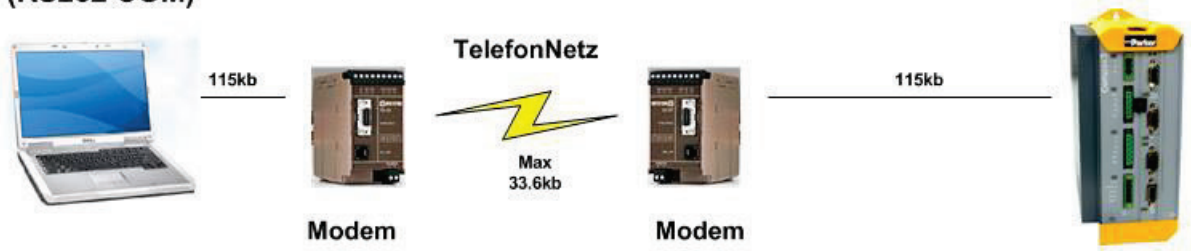
Ethernet/RS232



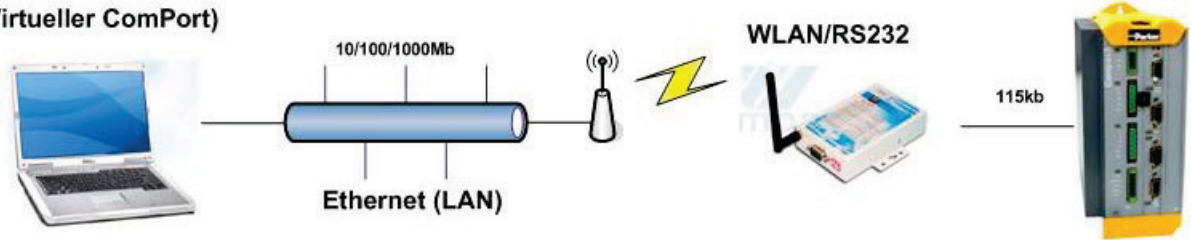
115kb



**PC (RS232 COM)**



**PC (Virtueller ComPort)**



**PC (Virtueller ComPort)**  
**Analoges Telefonnetz  
GSM / ISDN  
Telephone Network**



### 5.1.2. PC <-> Compax3 (RS485)

#### PC <-> Compax3 (RS485)

PC (RS232 COM)



115kb

C3 (X10 / RS485)



PC (Virtueller ComPort)

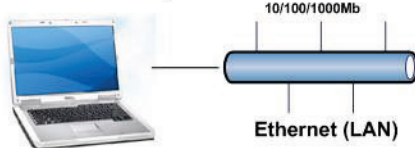


115kb

C3 (X10 / RS485)



PC (Virtueller ComPort)



Ethernet/RS485



115kb

C3 (X10 / RS485)



PC (Virtueller ComPort)



Analoges Telefonnetz  
GSM / ISDN  
Telephone Network



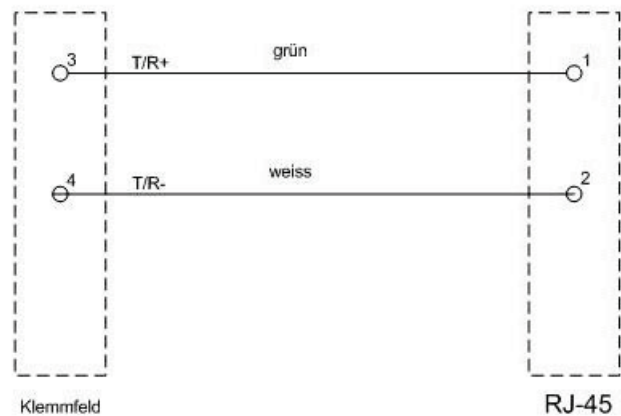
115kb

RS485



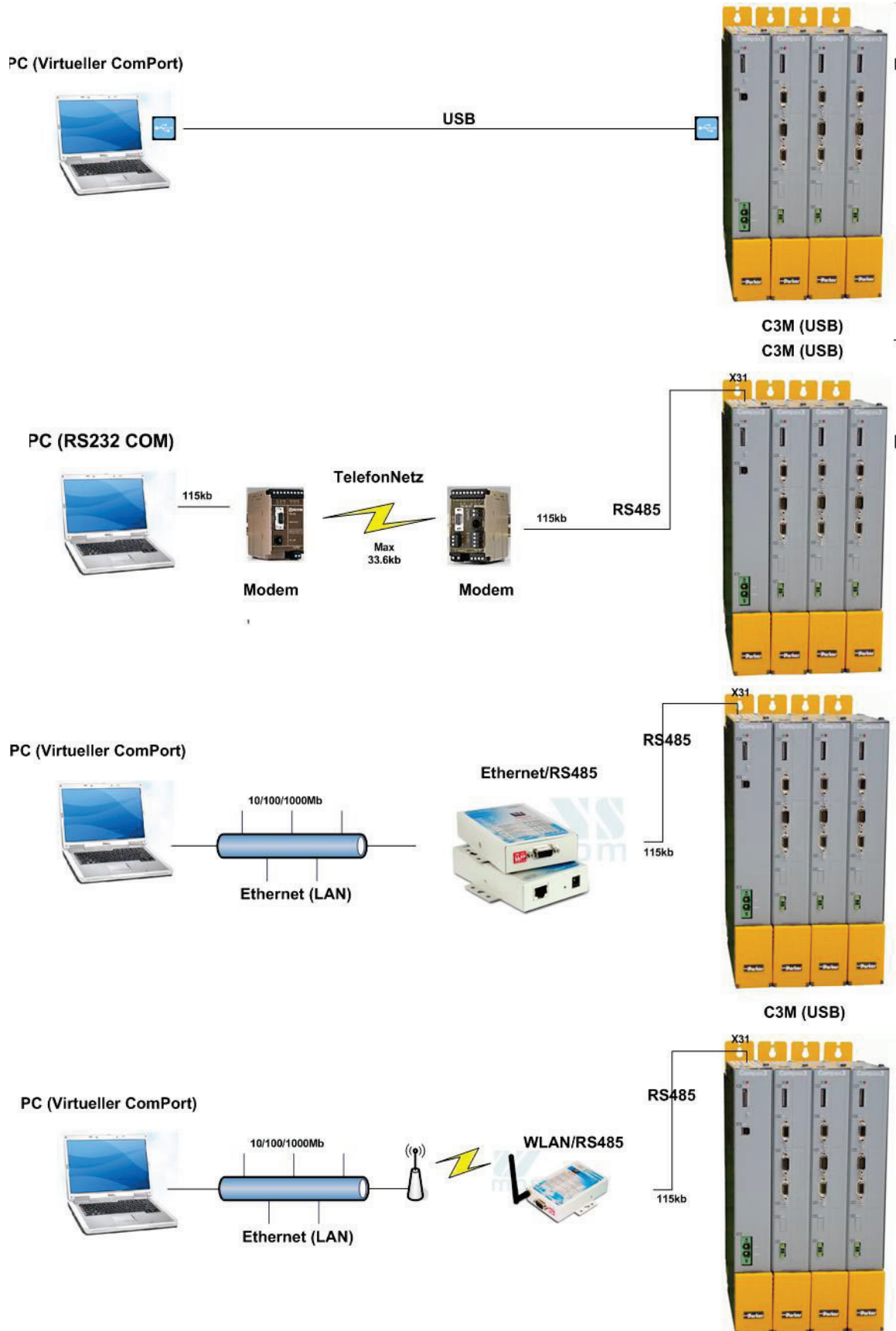
TD-36/RS485

C3M X31



### 5.1.3. PC <-> C3M device combination (USB)

#### PC <-> C3M device combination

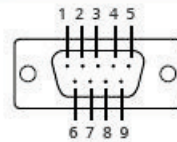




### 5.1.4. USB-RS485 Moxa Uport 1130 adapter



Male DB9



PIN	RS-422/4-wire RS-485	2-wire RS-485
1	TxD-(A)	-
2	TxD+(B)	-
3	RxD+(B)	Data+(B)
4	RxD-(A)	Data-(A)
5	GND	GND
6	-	-
7	-	-
8	-	-

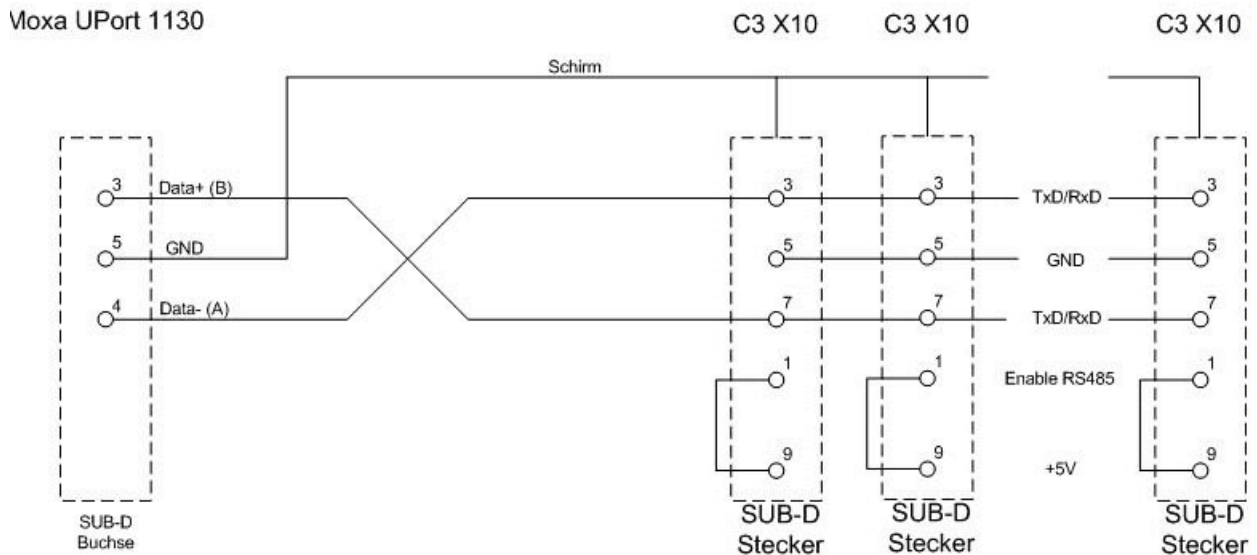
  

PIN	RS-422/4-wire RS-485	2-wire RS-485
5	GND	GND
6	-	-
7	-	-
8	-	-

The serial UPort 1130 USB adapter offers a simple and comfortable method of connecting an RS-422 or RS-485 device to your laptop or PC. The UPort 1130 is connected to the USB port of your computer and complements your workstation with a DB9 RS-422/485 serial interface. For simple installation and configuration, Windows drivers are already integrated. The UPort 1130 can be used with new or legacy serial devices and supports both 2- and 4-wire RS-485. It is especially suited for mobile, instrumentation and point-of-sale (POS) applications.

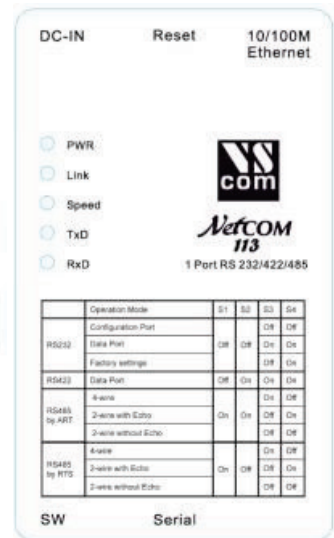
**Manufacturer link** [http://www.moxa.com/product/UPort\\_1130\\_1130I.htm](http://www.moxa.com/product/UPort_1130_1130I.htm)

**Connection plan for Compax3S:**

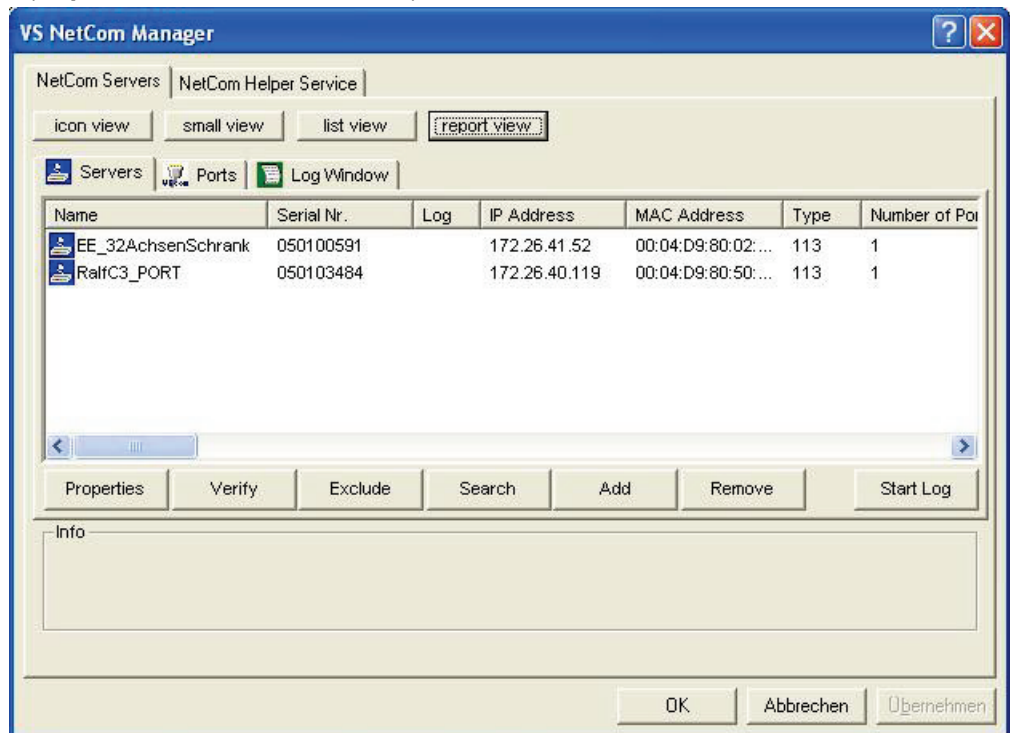




### 5.1.5. ETHERNET-RS485 NetCOM 113 adapter



Manufacturer link: <http://www.vscom.de/666.htm>  
 (<http://www.vscom.de/666.htm>)



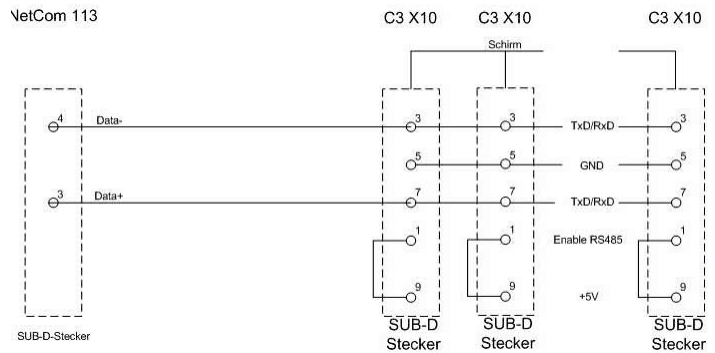
**DIP Switch settings NetCom 113 for two-wire operation:**

1ON 2ON 3off 4off (Mode: RS485 by ART (2 wire without Echo))

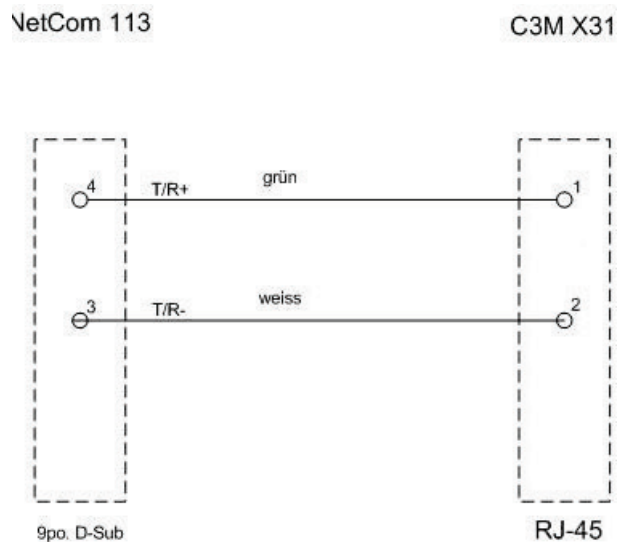
**Communication settings C3S/C3M:**

Object	Function	Value
810.1	Protocol	16 (two wire)
810.2	Baud rate	115200
810.3	NodeAddress	1..254
810.4	Multicast Address	

**Connection plan NetCom113 <-> C3S :**



**Connection plan NetCom113 <-> C3M X31:**



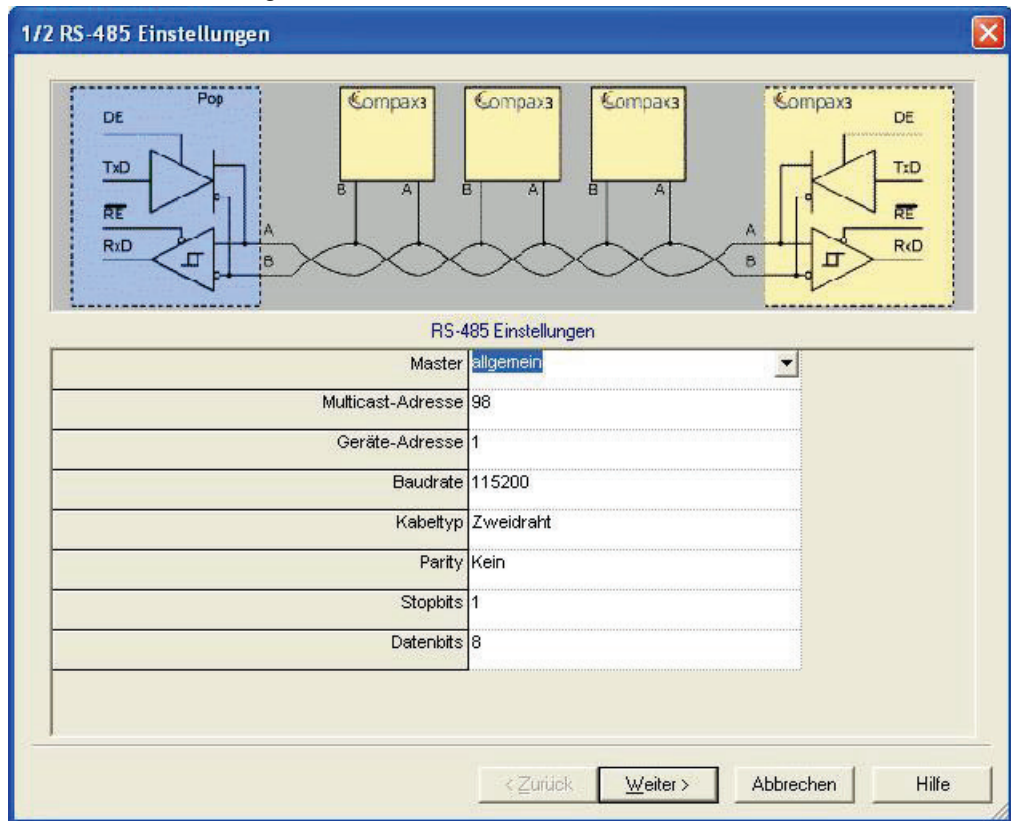
**5.1.6. Modem MB-Connectline MDH 500 / MDH 504**

With the modems MDH500 and MDH504 manufactured by MB-Connectline, you can establish an independent connection. A virtual COM port is generated and the communication with the PC as well as the Compax3 takes place via RS232 or RS485.

It is not necessary to make any modem settings on the Compax3.

### 5.1.7. C3 settings for RS485 two wire operation

**C3 ServoManager RS485 wizard settings:**  
 download with configuration in RS232 mode!

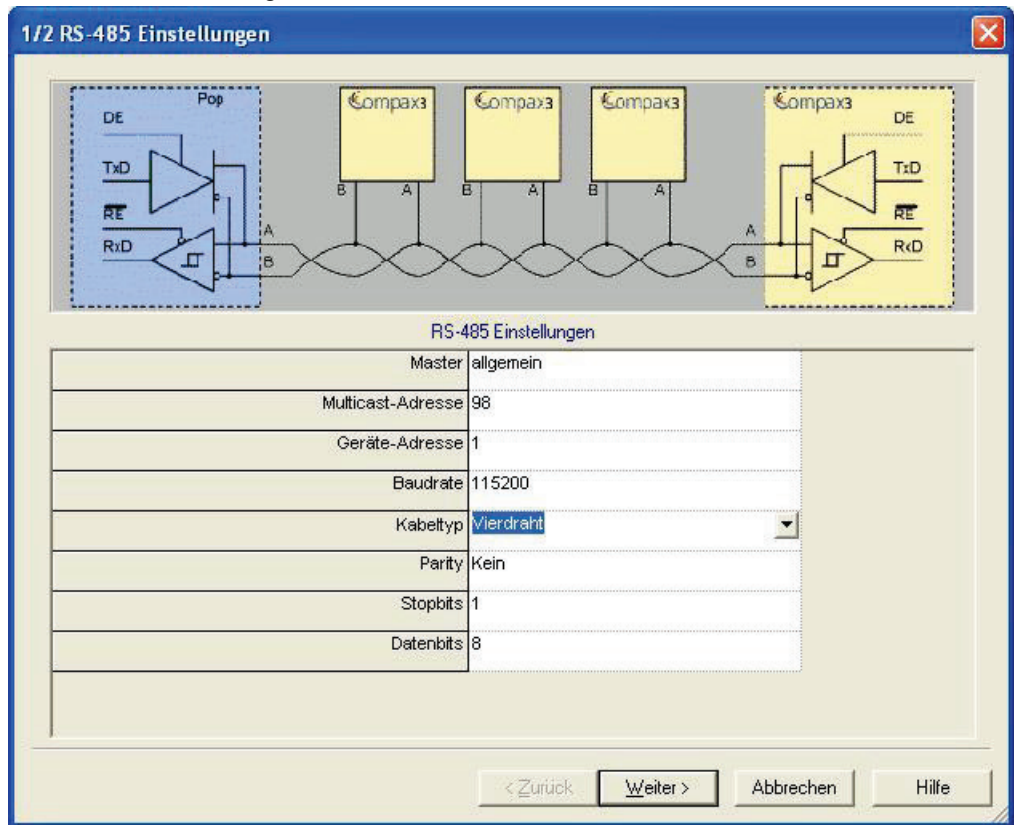


**Communication settings C3S/C3M:**

Object	Function	Value
810.1	Protocol	16 (two wire)
810.2	Baud rate	115200
810.3	NodeAddress	1..254
810.4	Multicast Address	

### 5.1.8. C3 settings for RS485 four wire operation

**C3 ServoManager RS485 wizard settings:**  
 download with configuration in RS232 mode



**Communication settings C3S/C3M:**

Object	Function	Value
810.1	Protocol	0 (4 wire)
810.2	Baud rate	115200
810.3	NodeAddress	1..254
810.4	Multicast Address	

## 5.2 COM port protocol

You can communicate with Compax3 in order to read or write objects via plug X10 ( or X3 on the mains module of Compax3M) on the front via a COM port (max. 32 nodes).

As a rule 2 records are possible:

- ◆ ASCII record: simple communication with Compax3
- ◆ Binary record: fast and secure communication with Compax3 by the aid of block securing.

**Switching between the ASCII and the binary record via automatic record detection.**

Interface settings (see on page 214)

- Wiring** RS232: **SSK1** (see on page 195)  
 RS485: as **SSK27** (see on page 196) / RS485 is activated by +5V on X10/1.  
 USB: SSK33/03 (only for Compax3M)

[In this chapter you can read about:](#)

RS485 settings values .....	145
ASCII - record .....	145
Binary record .....	146

### 5.2.1. RS485 settings values

If "Master=Pop" is selected, only the settings compatible with the Pops (Parker Operator Panels) made by Parker are possible.

**Please note that the connected Pop has the same RS485 setting values.  
 You can test this with the "PopDesigner" software.**

"Master=General" makes all Compax3 settings possible.

**Multicast Address** You can use this address to allow the master to access multiple devices simultaneously.

**Device Address** The device address of the connected Compax3 can be set here.

**Baud rate** Adjust the transfer speed (baud rate) to the master.

**Cable type** Please choose between **two-wire and four-wire RS485** (see on page 57).

**Protocol** Adjust the protocol settings to the settings of your master.

### 5.2.2. ASCII - record

The general layout of a command string for Compax3 is as follows:

**[Adr] command CR**

<b>Adr</b>	RS232: no address RS485: Compax3 address in the range 0 ... 99 Address settings can be made in the C3 ServoManager under "RS485 settings"
<b>Command</b>	valid Compax3 command
<b>CR</b>	End sign (carriage return)

**Command** A command consists of the representable ASCII characters (0x21 .. 0x7E). Small letters are converted automatically into capitals and blanks (0x20) are deleted, if they are not placed between two quotation marks.  
Separator between places before and after the decimal is the decimal point (0x2E). A numeric value can be given in the Hex-format if it is preceded by the "\$" sign. Values can be requested in the Hex-format if the CR is preceded additionally by the "\$" sign.

**Answer strings** All commands requesting a numeric value from Compax3 are acknowledged with the respective numeric value in the ASCII format followed by a CR without preceding command repetition and following statement of unit. The length of these answer strings differs depending on the value.  
Commands requesting an Info-string (e.g. software version), are only acknowledged with the respective ASCII character sequence followed by a CR, without preceding command repetition. The length of these answer strings is here constant.  
Commands transferring a value to Compax3 or triggering a function in Compax3 are acknowledged by:

**>CR**

if the value can be accepted resp. if the function can be executed at that point in time.

If this is not the case or if the command syntax was invalid, the command is acknowledged with

**!xxxxCR**

The 4 digit error number **xxxx** is given in the HEX format; you will find the meaning in the **appendix** (see on page 154).

**RS485 answer string** When using RS485, each answer string is preceded by a "\*" (ASCII - character: 0x2A).

### Compax3 commands

**Read object** *RS232: O [\$] Index , [\$] Subindex [\$]*

*RS485: Address O [\$] Index , [\$] Subindex [\$]*

The optional "\$" after the subindex stands for "hex-output" which means that an object value can also be requested in hex;  
For example "O \$0192.2\$": (Object 402.2)

**Write object** *RS232: O [\$] Index , [\$] Subindex = [\$] Value [ ; Value2 ; Value3 ; ...]*

*RS485: Address O [\$] Index , [\$] Subindex = [\$] Value [ ; Value2 ; Value3 ; ...]*

The optional "\$" preceding Index, Subindex and value stands for "Hex-input" which means that Index, Subindex and the value to be transferred can also be entered in hex (e.g. O \$0192.2=\$C8).

## 5.2.3. Binary record

The binary record with block securing is based on 5 different telegrams:

- ◆ 2 request telegrams which the control sends to Compax3 and
- ◆ 3 response telegrams which Compax3 returns to the control.

### Telegram layout

**Basic structure:**

<b>Start code</b>	<b>Address</b>	<b>Number of data bytes - 1</b>	<b>Data</b>				<b>Block securing</b>	
SZ	A	L	D0	D1	...	Dn	Crc(Hi)	Crc(Lo)

**The start code defines the frame type and is composed as follows:**

Bit	7	6	5	4	3	2	1	0
<b>Frame type</b>	<b>Frame identification</b>				<b>PLC</b>		<b>Gateway</b>	<b>Address</b>
RdObj read object	1	0	1	0	x	1	x	x
WrObj write object	1	1	0	0	x	1	x	x
Rsp response	0	0	0	0	0	1	0	1
Ack positive command acknowledgement	0	0	0	0	0	1	1	0
Nak Negative command acknowledgement	0	0	0	0	0	1	1	1

Bits 7, 6, 5 and 4 of the start code form the telegram identification; Bit 2 is always "1".

Bits 3, 1 and 0 have different meanings for the request and response telegrams. The address is only necessary for RS484.

**Request telegrams**

**-> Compax3**

- ◆ the address bit (Bit 0 = 1 ) shows if the start code is followed by an address (only for RS485; for RS232 Bit 0 = 0)
- ◆ the gateway bit (Bit 1 = 1) shows if the message is to be passed on. (Please set Bit 1 = 0, as this function is not yet available)
- ◆ the PLC bit (Bit 3 = 1 ) allows access to objects in the PLC/Pop format  
 U16, U32: for integer formats (see bus formats: lx, Ux, V2)  
 IEEE 32Bit Floating Point: for non integer formats (bus formats: E2\_6, C4\_3, Y2, Y4; without scaling)  
 With Bit 3 = 0 the objects are transmitted in the DSP format.  
 DSP formats:  
 24 Bit = 3 Bytes: Integer INT24 or Fractional FRACT24  
 48 Bit = 6 Bytes: Real REAL48 (3 Byte Int, 3 Byte Fract) / Double Integer DINT48 / Double Fractional DFRACT48

**Response telegram**

**Compax3 ->**

- ◆ Bits 0 and 1 are used to identify the response
- ◆ Bit 3 is always 0

The maximum number of data bytes in the request telegram is 256, in the response telegram 253.

The block securing (CRC16) is made via the CCITT table algorithm for all characters.

After receiving the start code, the timeout monitoring is activated in order to avoid that Compax3 waits in vain for further codes (e.g. connection interrupted) The timeout period between 2 codes received is fixed to 5ms (5 times the code time at 9600Baud)

**Write object - WrObj telegram**

SZ	Adr	L	D0	D1	D2	D3 ... Dn	Crc(Hi)	Crc(Lo)
0xCX		n	Index(Hi)	Index(Lo)	Subindex	Value	0x..	0x..

Describing an object by a value.

**Positive acknowledgement - Ack-telegram**

SZ	L	D0	D1	Crc(Hi)	Crc(Lo)
0x06	1	0	0	0x..	0x..

Answer from Compax3 if a writing process was successful, i.e. the function could be executed and is completed in itself.

**Negative acknowledgement - Nak - telegram**

SZ	L	D0	D1	Crc(Hi)	Crc(Lo)
0x07	1	F-No.(Hi)	F-No.(Lo)	0x..	0x..

Answer from Compax3 if access to the object was denied (e.g. function cannot be executed at that point in time or object has no reading access). The error no. is coded according to the DriveCom profile resp. the CiA Device Profile DSP 402.

**Read object - RdObj - telegram**

SZ	Adr	L	D0	D1	D2	D3	D4	D5	...	Dn	Crc(Hi)	Crc(Lo)
0xAX		n	Index1(Hi)	Index1(Lo)	Subindex1	Index2(Hi)	Index2(Lo)	Subindex2	...	...	0x..	0x..

Reading one or several objects

**Answer - Rsp - telegram**

SZ	L	D0 ... Dx-1	Dx ... Dy-1	Dy-D..	D ... D..	D ... Dn	Crc(Hi)	Crc(Lo)
0x05	n	Value1	Value 2	Value 3	Value ..	Value n	0x..	0x..

Answer from Compax3 if the object can be read.

If the object has no reading access, Compax3 answers with the Nak - telegram.

**Example:****Reading object "StatusPositionActual" (o680.5):**

Request: A5 03 02 02 A8 05 E1 46

Response: 05 05 FF FF FF FF FE 2D 07 B4

**Writing into an Array (o1901.1 = 2350)**

Request: C5 02 08 07 6D 01 00 09 2E 00 00 00 95 D5

Response: 06 01 00 00 BA 87



**Block securing: Checksum calculation for the CCITT table algorithm**

The block securing for all codes is performed via the following function and the corresponding table:

The "CRC16" variable is set to "0" before sending a telegram.

**Function call:**

```
CRC16 = UpdateCRC16(CRC16, Character);
```

This function is called up for each Byte (Character) of the telegram.

The result forms the last two bytes of the telegram

Compax3 checks the CRC value on receipt and reports CRC error in the case of a deviation.

```
Function const unsigned int _P CRC16_table[256] = {
    0x0000, 0x1021, 0x2042, 0x3063, 0x4084, 0x50a5, 0x60c6, 0x70e7,
    0x8108, 0x9129, 0xa14a, 0xb16b, 0xc18c, 0xd1ad, 0xe1ce, 0xf1ef,
    0x1231, 0x0210, 0x3273, 0x2252, 0x52b5, 0x4294, 0x72f7, 0x62d6,
    0x9339, 0x8318, 0xb37b, 0xa35a, 0xd3bd, 0xc39c, 0xf3ff, 0xe3de,
    0x2462, 0x3443, 0x0420, 0x1401, 0x64e6, 0x74c7, 0x44a4, 0x5485,
    0xa56a, 0xb54b, 0x8528, 0x9509, 0xe5ee, 0xf5cf, 0xc5ac, 0xd58d,
    0x3653, 0x2672, 0x1611, 0x0630, 0x76d7, 0x66f6, 0x5695, 0x46b4,
    0xb75b, 0xa77a, 0x9719, 0x8738, 0xf7df, 0xe7fe, 0xd79d, 0xc7bc,
    0x48c4, 0x58e5, 0x6886, 0x78a7, 0x0840, 0x1861, 0x2802, 0x3823,
    0xc9cc, 0xd9ed, 0xe98e, 0xf9af, 0x8948, 0x9969, 0xa90a, 0xb92b,
    0x5af5, 0x4ad4, 0x7ab7, 0x6a96, 0x1a71, 0x0a50, 0x3a33, 0x2a12,
    0xdbfd, 0xcbdc, 0xfbbf, 0xeb9e, 0x9b79, 0x8b58, 0xbb3b, 0xab1a,
    0x6ca6, 0x7c87, 0x4ce4, 0x5cc5, 0x2c22, 0x3c03, 0x0c60, 0x1c41,
    0xedae, 0xfd8f, 0xcdec, 0xddcd, 0xad2a, 0xbd0b, 0x8d68, 0x9d49,
    0x7e97, 0x6eb6, 0x5ed5, 0x4ef4, 0x3e13, 0x2e32, 0x1e51, 0x0e70,
    0xff9f, 0xefbe, 0xdfdd, 0xcffc, 0xbf1b, 0xaf3a, 0x9f59, 0x8f78,
    0x9188, 0x81a9, 0xb1ca, 0xa1eb, 0xd10c, 0xc12d, 0xf14e, 0xe16f,
    0x1080, 0x00a1, 0x30c2, 0x20e3, 0x5004, 0x4025, 0x7046, 0x6067,
    0x83b9, 0x9398, 0xa3fb, 0xb3da, 0xc33d, 0xd31c, 0xe37f, 0xf35e,
    0x02b1, 0x1290, 0x22f3, 0x32d2, 0x4235, 0x5214, 0x6277, 0x7256,
    0xb5ea, 0xa5cb, 0x95a8, 0x8589, 0xf56e, 0xe54f, 0xd52c, 0xc50d,
    0x34e2, 0x24c3, 0x14a0, 0x0481, 0x7466, 0x6447, 0x5424, 0x4405,
    0xa7db, 0xb7fa, 0x8799, 0x97b8, 0xe75f, 0xf77e, 0xc71d, 0xd73c,
    0x26d3, 0x36f2, 0x0691, 0x16b0, 0x6657, 0x7676, 0x4615, 0x5634,
    0xd94c, 0xc96d, 0xf90e, 0xe92f, 0x99c8, 0x89e9, 0xb98a, 0xa9ab,
    0x5844, 0x4865, 0x3806, 0x2827, 0x18c0, 0x08e1, 0xf882, 0xe8a3,
    0xcb7d, 0xdb5c, 0xeb3f, 0xfb1e, 0x8bf9, 0x9bd8, 0xabbb, 0xbb9a,
    0x4a75, 0x5a54, 0x6a37, 0x7a16, 0x0af1, 0x1ad0, 0x2ab3, 0x3a92,
    0xfd2e, 0xed0f, 0xdd6c, 0xcd4d, 0xbdaa, 0xad8b, 0x9de8, 0x8dc9,
    0x7c26, 0x6c07, 0x5c64, 0x4c45, 0x3ca2, 0x2c83, 0x1ce0, 0x0cc1,
    0xef1f, 0xff3e, 0xcf5d, 0xdf7c, 0xaf9b, 0xbfba, 0x8fd9, 0x9ff8,
    0x6e17, 0x7e36, 0x4e55, 0x5e74, 0x2e93, 0x3eb2, 0x0ed1, 0x1ef0
};

unsigned int UpdateCRC16(unsigned int crc,unsigned char wert) {

unsigned int crc16;

crc16 = (CRC16_table[(crc >> 8) & 0x00FF] ^ (crc << 8)
^ (unsigned int)(value));

return crc16;

}

```

You will find this function on the Compax3 DVD under RS232\_485\Function UpdateCRC16.txt!

## 5.3 Remote diagnosis via Modem

**Caution!**

As the transmission via modem may be very slow and interference-prone, the operation of the Compax3 ServoManager via modem connection is on your own risk!

The function setup mode as well as the ROLL mode of the oscilloscope are not available for remote diagnosis!

It is not recommended to use the logic analyzer in the Compax3 IEC61131-3 debugger due to the limited bandwidth.

**Requirements:**

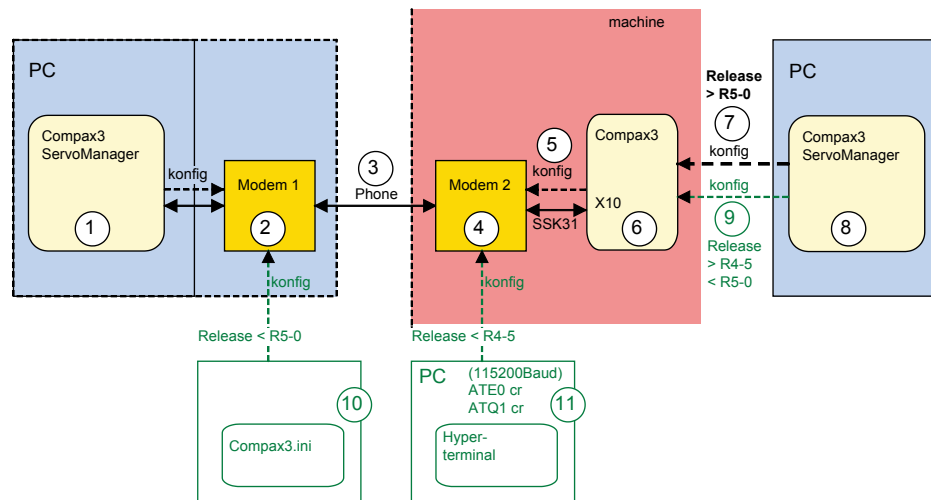
For modem operation, a direct and stable telephone connection is required. Operation via a company-internal telephone system is not recommended.

In this chapter you can read about:

Structure.....	150
Configuration of local modem 1 .....	151
Configuration of remote modem 2.....	152
Recommendations for preparing the modem operation.....	152

### 5.3.1. Structure

**Layout and configuration of a modem connection ServoManager - Compax3:**



The green part of the drawing shows the proceeding for Compax3 release versions < R5-0!

The proceeding for Compax3 release versions < R5-0 is described in an application example (.../modem/C3\_Appl\_A1016\_ *language*.pdf on the Compax3 CD).

### **Connection Compax3 ServoManager <=> Compax3**

The Compax3 ServoManager (1) establishes a RS232 connection with modem 1 (PC internal or external).

Modem 1 dials modem 2 via a telephone connection (3).


Modem 2 communicates with Compax3 (6) via RS232.

### **Configuration**

Modem 1 is configured via the Compax3 ServoManager (1)

Modem 2 can be configured via Compax3 (on place), triggered by putting **SSK31** (see on page 199) on X10. For this, the device must be configured before. This can be made locally before the system / machine is delivered with the aid of the Compax3 ServoManager (8).

## **5.3.2. Configuration of local modem 1**

- ◆ Menu "Options: Communication settings RS232/RS485..." must be opened
- ◆ Select "Connection via Modem"
- ◆ Under "name" you can enter a name for the connection
- ◆ Enter the target telephone number.
  - Note: If an ISDN telephone system is operated within a company network, an additional "0" may be required in order to get out of the local system into the company network before reaching the outside line with an additional "0".
- ◆ The timeout periods are set to reasonable standard values according to our experience.
- ◆ Select the modem type.
  - ◆ For "user-defined modem", additional settings are only required, if the modem does not support standard AT commands.
    - Then you can enter special AT commands.
    - ◆ **Hint:**When operating the local modem on a telephone system, it may be necessary to make a blind dialing. Here, the modem does not wait for the dialing tone.
- ◆ Select the COM interface where the modem is connected.
- ◆ Close the window and establish the connection with button  (open/close COM port).
- ◆ The connection is interrupted when the COM port is closed.
- ◆ Select the modem type.
  - ◆ For "user-defined modem", additional settings are only required, if the modem does not support standard AT commands.
    - Then you can enter special AT commands.
    - ◆ **Hint:**When operating the local modem on a telephone system, it may be necessary to make a blind dialing. Here, the modem does not wait for the dialing tone.

### 5.3.3. Configuration of remote modem 2

Settings in Compax3 under "configure communication: Modem settings":

- ◆ Modem initialization = "ON": After the SSK31 modem cable has been connected, Compax3 initializes the modem
- ◆ Modem initialization after Power On = "ON": After Power on of Compax3, the device initializes the modem
- ◆ Modem check = "ON": a modem check is performed
- ◆ The timeout periods are set to reasonable standard values according to our experience.
- ◆ Select the modem type.
  - ◆ For "user-defined modem", additional settings are only required, if the modem does not support standard AT commands. Then you can enter special AT commands.
  - ◆ **Hint:**When operating the local modem on a telephone system, it may be necessary to make a blind dialing. Here, the modem does not wait for the dialing tone.
- ◆ In the following wizard window, a specific download of the modem configuration can be made.

#### Note:

If a configuration download is interrupted, the original settings in the non volatile memory of the Compax3 are still available.

You have to finish the communication on the PC side and to reset the Compax3 via the 24V supply before you can start a new trial.

#### Reinitialization of the remote modem 2


Remove cable on Compax3 X10 and connect again!

### 5.3.4. Recommendations for preparing the modem operation

#### Preparations:

- ◆ Settings in Compax3 under "configure communication: Modem settings":
  - ◆ Modem initialization: "ON"
  - ◆ Modem initialization after Power On: "ON"
  - ◆ Modem check: "ON"
- ◆ Deposit SSK31 cable in the control cabinet.
- ◆ Install modem in the control cabinet and connect to telephone line.

#### Remote diagnosis required:

- ◆ On site:
  - ◆ Connect modem to Compax3 X10 via SSK31
  - ◆ Modem is automatically initialized
- ◆ Local:
  - ◆ Connect modem to telephone line
  - ◆ Establish cable connection to modem (COM interface)
  - ◆ Select "connection via modem" under "options: communication settings RS232/RS485...".
  - ◆ Select modem under "selection"
  - ◆ Enter telephone number
  - ◆ Select COM interface (PC - modem)
  - ◆ Establish connection with button  (open/close COM port).

#### Access to Compax3 objects

Via RS232 and RS485 you can access the status objects.

## 6. Status values

### In this chapter you can read about:

D/A-Monitor ..... 153

A list of the status values supports you in optimization and commissioning. Open the optimization function in the C3 ServoManager (double-click on optimization in the tree)

You will find the available status values in the lower right part of the window under selection (TAB) "Status values".

You can pull them into the oscilloscope (upper part of the left side) or into the status display (upper part of the right side) by the aid of the mouse (drag and drop).

The status values are divided into 2 groups (user levels):

**standard:** here you can find all important status values

**advanced:** Advanced status values, require a better knowledge

### Switching of the user level

The user level can be changed in the optimization window (left hand side lower part under selection (TAB) "optimization") with the following button.



### 6.1 D/A-Monitor

A part of the status values can be output via the D/A monitor channel 0 (X11/4) and channel 1 (X11/3). In the following status list under D/A monitor output: possible / not possible).

The reference for the output voltage can be entered individually in the reference unit of the status value.

#### **Example: Output Object 2210.2: (actual speed unfiltered)**

In order to get an output voltage of 10V at 3000rpm, please enter rev/s (=3000rpm) as "value of the signal at 10V".

#### **Hint**

The unit of measurement of the D/A monitor values differs from the unit of measurement of the status values.

Additional information on the topic of "status values" can be found in the online help of the device.

# 7. Error

Standard error reactions:

**Reaction 2:** Downramp with "de-energize" then **apply brake** (see on page 135) and finally de-energize.

For errors with standard reaction 2 the **error reaction can be changed** (see on page 106).

**Reaction 5:** de-energize immediately (without ramps), apply brake.

**Caution! A Z-axis may drop down due to the brake delay times**

**Pending errors can be acknowledged with Quit!**

**Object 550.1 displays error:  
value 1 means "no error".**

The errors as well as the error history can be viewed in the C3 ServoManager under optimization (at the top right of the optimization window).

Detailed information on the topic of the "error list" can be found in the online help of the device.

# 8. Order code

**In this chapter you can read about:**

Order code device: Compax3 .....	156
Order code for mains module: PSUP .....	157
Order code for accessories .....	157

## 8.1 Order code device: Compax3

Example: C3S025V2F10I10T10M00

C3

Device type: Compax3

Single axis	S									--
Highpower	H									--
Multi-axis device	M									
Device currents static/dynamic; supply voltage										
2.5A / 5A ; 230VAC (single phase)	S	025	V2							--
6.3 A / 12.6 A ; 230VAC (1 phase)	S	063	V2							--
10A / 20A ; 230VAC (three phase)	S	100	V2							--
15A / 30A ; 230VAC (three phase)	S	150	V2							--
1.5A / 4.5A ; 400VAC (three phase)	S	015	V4							--
3.8 A / 7.5 A ; 400VAC (3 phase)	S	038	V4							--
7.5 A / 15.0 A ; 400VAC (3 phase)	S	075	V4							--
15.0 A / 30.0 A ; 400VAC (3 phase)	S	150	V4							--
30.0 A / 60.0 A ; 400VAC (3 phase)	S	300	V4							--
50A / 75A ; 400VAC (three phase)	H	050	V4							--
90A / 135A ; 400VAC (three phase)	H	090	V4							--
125A / 187.5A ; 400VAC (three phase)*	H	125	V4							--
155A / 232.5A ; 400VAC (three phase)*	H	155	V4							--
5.0A / 10,0A ; 400VAC (three phase)	M	050	D6							
10A / 20A ; 400VAC (three phase)	M	100	D6							
15A / 30A ; 400VAC (three phase)	M	150	D6							
60A 30A / ; 400VAC (three phase)	M	300	D6							
Feedback:										
Resolver							F10			
SinCos© (Hiperface)							F11			
Encoder, Sine-cosine with/without hall							F12			
Interface:										
Step/direction / analogue input							I10	T10		M00
Positioning with inputs/outputs							I11	T11		M00
Positioning via I/Os or RS232 / RS485/USB							I12			
Profibus DP V0/V1/V2 (12Mbaud)							I20			
CANopen							I21			
DeviceNet							I22			
Ethernet Powerlink							I30			
EtherCAT							I31			
Profinet							I32			
C3 powerPLmC (Multi-axis control)							C20			M00
Technology functions:										
Positioning								T11		
Motion control programmable according to IEC61131-3								T30		
Motion control programmable according to IEC61131-3 & electronic cam extension								T40		
Options:										
no additional supplement										M00
Expansion 12 digital I/Os & HEDA (Motionbus)										M10
HEDA (Motionbus)										M11
Expansion, 12 digital I/Os										M12
Safety technology only C3M:										
Safe torque off	M		D6							S1
Extended safety technology	M		D6							S3

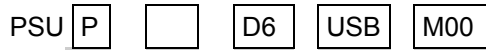
\*external voltage supply for ventilator fan required. Available in two versions for single phase feed:

Standard: 220/240VAC: 140W, on request: 110/120VAC: 130W



## 8.2 Order code for mains module: PSUP

Example: PSUP10D6USBM00



Power module	P				
Nominal power; supply voltage					
10kW; 400 VAC (3-phase)		10	D6		
20kW; 400 VAC (3-phase)		20	D6		
30kW; 400 VAC (3-phase)		30	D6		
Interface:					
USB connection				USB	
Options:					
no additional supplement					M00

## 8.3 Order code for accessories

**In this chapter you can read about:**

Order code for feedback cables .....	158
Order Code braking resistors .....	158
Order code mains filter (C3S) .....	159
Order code capacitor module .....	159
Interface cable order code .....	159
Order Code input/output terminals (PIO).....	160
Order note .....	161

### Order Code connection set for Compax3S

The corresponding connection sets are furnished with the device.

for C3S0xxV2	ZBH 02/01	ZBH	0 2	/	0 1			
for C3S0xxV4 / S150V4 / S1xxV2	ZBH 02/02	ZBH	0 2	/	0 2			
for C3S300V4	ZBH 02/03	ZBH	0 2	/	0 3			

### Order code for PSUP/Compax3M connection set

The corresponding connection sets are furnished with the device.

for C3M050D6, C3M100D6, C3M150D6	ZBH 04/01	ZBH	0 4	/	0 1			
for C3M300D6	ZBH 04/02	ZBH	0 4	/	0 2			
for PSUP10	ZBH 04/03	ZBH	0 4	/	0 3			
PSUP20, PSUP30	ZBH 04/04	ZBH	0 4	/	0 4			

### 8.3.1. Order code for feedback cables

for resolver <sup>(2)</sup>	for MH / SMH motors		REK	4 2	/	... ... <sup>(1)</sup>
for resolver <sup>(2)</sup>	for MH / SMH motors	(cable chain compatible)	REK	4 1	/	... ... <sup>(1)</sup>
for SinCos© – feedback <sup>(2)</sup>	for MH / SMH motors	(cable chain compatible)	GBK	2 4	/	.. ... <sup>(1)</sup>
for EnDat 2.1 <sup>(2)</sup>	for MH / SMH motors	(cable chain compatible)	GBK	3 8	/	.. ... <sup>(1)</sup>
for EnDat 2.2 <sup>(2)</sup>	for MH / SMH motors	(cable chain compatible)	GBK	5 6	/	.. ... <sup>(1)</sup>
Encoder – Compax3			GBK	2 3	/	... ... <sup>(1)</sup>
for LXR linear motors		(cable chain compatible)	GBK	3 3	/	... ... <sup>(1)</sup>
for BLMA linear motors		(cable chain compatible)	GBK	3 2	/	... ... <sup>(1)</sup>

<sup>(x)</sup> **Note on cable** (see on page 161)

#### Motor cable order code <sup>(2)</sup>

for SMH / MH56 / MH70 / MH105 <sup>(3)</sup>	(1.5mm <sup>2</sup> ; up to 13.8A)		MOK	5 5	/	... ... <sup>(1)</sup>
for SMH / MH56 / MH70 / MH105 <sup>(3)</sup>	(1.5mm <sup>2</sup> ; up to 13.8A)	(cable chain compatible)	MOK	5 4	/	... ... <sup>(1)</sup>
for SMH / MH56 / MH70 / MH105 <sup>(3)</sup>	(2.5mm <sup>2</sup> ; up to 18.9A)		MOK	5 6	/	... ... <sup>(1)</sup>
for SMH / MH56 / MH70 / MH105 <sup>(3)</sup>	(2.5mm <sup>2</sup> ; up to 18.9A)	(cable chain compatible)	MOK	5 7	/	... ... <sup>(1)</sup>
for MH145 / MH205 <sup>(4)</sup>	(1.5mm <sup>2</sup> ; up to 13.8A)		MOK	6 0	/	... ... <sup>(1)</sup>
for MH145 / MH205 <sup>(4)</sup>	(1.5mm <sup>2</sup> ; up to 13.8A)	(cable chain compatible)	MOK	6 3	/	... ... <sup>(1)</sup>
for MH145 / MH205 <sup>(4)</sup>	(2.5mm <sup>2</sup> ; up to 18.9A)		MOK	5 9	/	... ... <sup>(1)</sup>
for MH145 / MH205 <sup>(4)</sup>	(2.5mm <sup>2</sup> ; up to 18.9A)	(cable chain compatible)	MOK	6 4	/	... ... <sup>(1)</sup>
for MH145 / MH205 <sup>(4)</sup>	(6mm <sup>2</sup> ; up to 32.3A)	(cable chain compatible)	MOK	6 1	/	... ... <sup>(1)</sup>
for MH145 / MH205 <sup>(4)</sup>	(10mm <sup>2</sup> ; up to 47.3A)	(cable chain compatible)	MOK	6 2	/	... ... <sup>(1)</sup>

<sup>(x)</sup> **Note on cable** (see on page 161)

### 8.3.2. Order Code braking resistors

#### Order Code braking resistors

for C3S063V2 or C3S075V4	56Ω / 0.18kW <sub>cont.</sub>		BRM	0 5	/	0 1
for C3S075V4	56Ω / 0.57kW <sub>cont.</sub>		BRM	0 5	/	0 2
for C3S025V2 or C3S038V4	100Ω / 60W <sub>cont.</sub>		BRM	0 8	/	0 1
for C3S150V4	47Ω / 0.57kW <sub>cont.</sub>		BRM	1 0	/	0 1
for C3S150V2, C3S300V4 and PSUP20D6	4/01:15Ω / 0.57kW <sub>cont.</sub> 4/02:15Ω / 0.74kW <sub>cont.</sub>		BRM	0 4	/	0 ...
for C3S300V4 and PSUP20D6	4/03:15Ω / 1.5kW <sub>cont.</sub>					
for C3S100V2	22Ω / 0.45kW <sub>cont.</sub>		BRM	0 9	/	0 1
for C3H0xxV4	27Ω / 3.5kW <sub>cont.</sub>		BRM	1 1	/	0 1
for PSUP10D6 and PSUP20D6 / PSUP30D6 (2x30Ω parallel)	30Ω / 0.5kW <sub>cont.</sub>		BRM	1 3	/	0 1
for PSUP10D6 (2x15Ω in series), PSUP20D6, PSUP30D6	15Ω / 0.5kW <sub>cont.</sub>		BRM	1 4	/	0 1
for C3H1xxV4, PSUP30D6	18Ω / 4.5kW <sub>cont.</sub>		BRM	1 2	/	0 1

### 8.3.3. Order code mains filter (C3S)

#### Order code mains filter Compax3S

for C3S025V2 or S063V2	NFI	0	1	/	0 1
for C3S0xxV4, S150V4 or S1xxV2	NFI	0	1	/	0 2
for C3S300V4	NFI	0	1	/	0 3

#### Order code mains filter Compax3H

for C3H050V4	NFI	0	2	/	0 1
for C3H090V4	NFI	0	2	/	0 2
for C3H1xxV4	NFI	0	2	/	0 3

#### Order Code mains filter PSUP

for PSUP10	Reference axis combination 3x480V 25A 6x10m motor cable length	NFI	0	3	/ 0 1
for PSUP10	Reference axis combination 3x480V 25A 6x50m motor cable length	NFI	0	3	/ 0 2
for PSUP20 & PSUP30	Reference axis combination 3x480V 50A 6x50m motor cable length	NFI	0	3	/ 0 3

#### Order code for mains filters

for PSUP30	Mains filter	LCG-0055-0.45 mH
for PSUP30	Mains filter with UL approval	LCG-0055-0.45 mH-UL

#### Order code for motor output filter (for Compax3S, Compax3M >20m motor cable)

up to 6,3 A rated motor current	MDR	0	1	/	0 4
Up to 16 A rated motor current	MDR	0	1	/	0 1
Up to 30A A rated motor current	MDR	0	1	/	0 2

### 8.3.4. Order code capacitor module

#### Order code capacitor module

for C3S300V4	1100µF	Module			C4

### 8.3.5. Interface cable order code

#### Order code for interface cables and connectors

PC – Compax3 (RS232)	SSK	0 1	/	...	... <sup>(1)</sup>
PC – PSUP (USB)	SSK	3 3	/	...	...
on X11 (Ref/Analog) and X13 with C3F001D2	SSK	2 1	/	...	... <sup>(1)</sup>
on X12 / X22 (digital I/Os)	SSK	2 2	/	...	... <sup>(1)</sup>
on X11 (Ref /Analog)	SSK	2 3	/	...	... <sup>(1)</sup>
on X12 / X22 (digital I/Os)	SSK	2 4	/	...	... <sup>(1)</sup>
PC ⇔ POP (RS232)	SSK	2 5	/	...	... <sup>(1)</sup>
Compax3 ⇔ POP (RS485) for several C3H on request	SSK	2 7	/	..	... <sup>(6)</sup>
Compax3 HEDA ⇔ Compax3 HEDA or PC ⇔ C3powerPLmC	SSK	2 8	/	..	... <sup>(5)</sup>
Compax3 I30 ⇔ Compax3 I30 or C3M-multi-axis communication					
Profinet, EtherCAT, Ethernet Powerlink					
Compax3 X11 ⇔ Compax3 X11 (encoder coupling of 2 axes)	SSK	2 9	/	...	... <sup>(1)</sup>
Compax3 X10 ⇔ Modem	SSK	3 1	/	...	
Compax3H adapter cable ⇔ SSK01 (length 15cm, delivered with the device)	SSK	3 2	/	2 0	
Compax3H X10 RS232 connection control ⇔ Programming interface (delivered with the device)	VBK	1 7	/	0 1	
Bus terminal connector (for the 1st and last Compax3 in the HEDA Bus/or multi-axis system)	BUS	0 7	/	0 1	
Profibus cable <sup>(2)</sup>	SSL	0 1		...	... <sup>(7)</sup>
Profibus connector	BUS	0 8	/	0 1	
CAN bus cable <sup>(2)</sup>	SSL	0 2		...	... <sup>(7)</sup>
CAN bus connector	BUS	1 0	/	0 1	

<sup>(x)</sup> **Note on cable** (see on page 161)

#### Order Code operating module

Operating module (for Compax3S and Compax3F)	BDM	0 1	/	0 1	

#### Order Code terminal block

for I/Os without luminous indicator	EAM	0 6	/	0 1	
for I/Os with luminous indicator	EAM	0 6	/	0 2	

### 8.3.6. Order Code input/output terminals (PIO)

#### Order Code decentralized input terminals

PIO 2DI 24VDC 3.0ms	PIO	4 0 0			
PIO 4DI 24VDC 3.0ms	PIO	4 0 2			
PIO 8DI 24VDC 3.0ms	PIO	4 3 0			
PIO 2AI DC ±10V differential input	PIO	4 5 6			
PIO 4AI 0-10VDC S.E.	PIO	4 6 8			
PIO 2AI 0-20mA differential input	PIO	4 8 0			

**Order Code decentralized output terminals**

PIO 2DO 24VDC 0.5A	2 channel digital output terminal (output voltage 0.5A)	PIO	5	0	1
PIO 4DO 24VDC 0.5A	4 channel digital output terminal (output voltage 0.5A)	PIO	5	0	4
PIO 8DO 24VDC 0.5A	8 channel digital output terminal (output voltage 0.5A)	PIO	5	3	0
PIO 2AO 0-10VDC	2 channel analog output terminal (0-10V signal voltage)	PIO	5	5	0
PIO 2AO 0-20mA	2-channel analog output terminal (0-20mA signal voltage)	PIO	5	5	2
PIO 2AO DC ±10V	2-channel analog output terminal (±10V signal voltage)	PIO	5	5	6

**Order Code CANopen Fieldbus Coupler**

CANopen Standard	max. Vectorial sum current for bus terminals 1650mA at 5V	PIO	3	3	7
CANopen ECO	max. Vectorial sum current for bus terminals 650mA at 5V	PIO	3	4	7

**8.3.7. Order note**

<sup>1</sup> Length code 1

Length [m]	1.0	2.5	5.0	7.5	10.0	12.5	15.0	20.0	25.0	30.0	35.0	40.0	45.0	50.0
Code	01	02	03	04	05	06	07	08	09	10	11	12	13	14

Other adaptation can be developed on request!

**Example:**

SSK01/09: Length 25m

<sup>2</sup> Colors according to DESINA

<sup>3</sup> with motor connector

<sup>4</sup> with cable eye for motor terminal box

<sup>5</sup> length code 2 for SSK28

Length [m]	0.17	0.25	0.5	1.0	3.0	5.0	10.0
Order code	23	20	21	01	22	03	05

<sup>6</sup> Order code: **SSK27/nn/..**

Length A (Pop - 1. Compax3) variable (the last two numbers according to the length code for cable, for example SSK27/nn/01)

Length B (1. Compax3 - 2. Compax3 - ... - n. Compax3) fixed 50 cm (only if there is more than 1 Compax3, i.e. nn greater than 01)

Number n (the last two digits)

**Examples include:**

SSK27/05/.. for connecting from Pop to 5 Compax3.

SSK27/01/.. for connecting from Pop to one Compax3

MOK55 and MOK54 can also be used for linear motors LXR406, LXR412 and BLMA.

<sup>7</sup> sold by the meter: Length in meters (order in number of items)

<sup>8</sup> Note on cable (see on page 161)

# 9. Compax3 Accessories

## In this chapter you can read about:

Parker servo motors .....	162
EMC measures.....	165
Connections to the motor.....	173
External braking resistors .....	178
Capacitor module C4 .....	191
Operator control module BDM .....	192
EAM06: terminal block for inputs and outputs .....	192
Interface cable.....	195

## 9.1 Parker servo motors

### In this chapter you can read about:

Direct drives .....	162
Rotary servo motors .....	164

### 9.1.1. Direct drives

#### In this chapter you can read about:

Transmitter systems for direct drives .....	163
Linear motors .....	164
Torque motors .....	164

### 9.1.1.1 Transmitter systems for direct drives

The Feedback option F12 makes it possible to operate linear motors as well as torque motors. Compax3 supports the following transmitter systems:

Special Feedback Systems	Option F12
Analog hall sensors	<ul style="list-style-type: none"> <li>◆ Sine-Cosine signal (max. 5Vpp*; typical 1Vpp) 90° offset</li> <li>◆ U-V signal (max. 5Vpp*; typical 1Vpp) 120° offset.</li> </ul>
Encoder (linear or rotary)	<ul style="list-style-type: none"> <li>◆ Sine-Cosine (max. 5Vpp*; typical 1Vpp) (max. 400kHz) or</li> <li>◆ TTL (RS422) (max. 5MHz; track A or B)</li> <li>◆ Bypass function for encoder signals (limit frequency** 5MHz, track A or B) with the following modes of commutation:               <ul style="list-style-type: none"> <li>◆ <b>Automatic commutation</b> (see on page 163) or</li> <li>◆ U, V, W or R, S, T commutation signals (NPN open collector) e.g. digital hall sensors, incremental encoders made by Hengstler (F series with electrical ordering variant 6)</li> </ul> </li> </ul>
EnDat*** with incremental (Sine - Cosine) track	<ul style="list-style-type: none"> <li>◆ EnDat 2.1 or EnDat 2.2 (Endat01, Endat02) feedback</li> <li>◆ linear or rotary</li> <li>◆ max. 400kHz Sine-Cosine</li> </ul>
EnDat 2.2*** (fully digital)	<ul style="list-style-type: none"> <li>◆ EnDat 2.2 (Endat01, Endat02) feedback</li> <li>◆ linear or rotary</li> <li>◆ max. Cable length: 25 m</li> </ul>
EnDat2.1*** (fully digital)	<ul style="list-style-type: none"> <li>◆ EnDat 2.1 without incremental track</li> <li>◆ Supported types: EQI11xx, ECI11xx, ECI11x</li> <li>◆ max. Cable length: 90 m</li> </ul>
Distance coded feedback systems	<ul style="list-style-type: none"> <li>◆ Distance coding with 1 VSS interface</li> <li>◆ Distance coding with RS422 - Interface (Encoder)</li> </ul>

\*Max. differential input between SIN- (X13/7) and SIN+ (X13/8).

\*\* Limit frequency = 1MHz for Compax3M (higher bandwidths on request)

\*\*\* Digital, bidirectional interface

The motor performs automatic commutation after:

- ◆ Power on,
- ◆ A configuration download or
- ◆ An IEC program download

The time duration (typically 5-10 sec) of automatic commutation can be optimized with the start current (see in the optimization display of the C3 ServoManager; given as a percentage of the reference current). Note that values that are too high will cause Error 0x73A6 to be triggered.

Typically the motor moves by 4% of the pitch length or, with rotary direct drives 4% of 360°/number of pole pairs - maximum 50%.

#### **Note the following conditions for automatic commutation**

- ◆ During automatic commutation the end limits are not monitored.
- ◆ Actively working load torques are not permitted during automatic commutation.
- ◆ Static friction deteriorates the effect of automatic commutation.
- ◆ With the exception of missing commutation information, the controller/motor combination is configured and ready for operation (parameters correctly assigned for the linear motor/drive). The transmitter and the direction of the field of rotation in effect must match.
- ◆ The auto-commutating function must be adapted to fit the mechanics if necessary during commissioning.

### 9.1.1.2 Linear motors

Parker offers you a number of systems of linear motor drives:

<b>Linear motors</b>	<b>Feed force (continuous/dynamic)</b>	<b>Stroke length:</b>
<b>LMDT ironless linear servo motors:</b>	26 ... 1463N	almost any
<b>LMI iron-cored linear servo motors:</b>	52 ... 6000N	64 ... 999mm
<b>LXR Series Linear Motors</b>	315N / 1000N	up to 3m
<b>Linear motor module BLMA:</b>	605N / 1720N	up to 6m

### 9.1.1.3 Torque motors

Parker offers you an extensive range of torque motors that can be adapted to your application. Please contact us for information.

Additional information can be found on the **Internet** <http://www.parker.com/eme> in the direct drives section.

## 9.1.2. Rotary servo motors

Parker offers you an extensive range of servo motors that can be adapted to your application. Please contact us for information.

Additional information can be found on the **Internet** <http://www.parker.com/eme/smh> or on the DVD supplied in the documentations file.

Suitable servo motors for Compax3H are available on request!



## 9.2 EMC measures

In this chapter you can read about:

Mains filter.....	165
Motor output filter.....	170
Mains chokes .....	172

### 9.2.1. Mains filter

For radio disturbance suppression and for complying with the emission limit values for CE conform operation we offer mains filters:

Observe the maximum permitted length of the connection between the mains filter and the device:

- ◆ unshielded <0.5m;
- ◆ shielded: <5m (fully shielded on ground e.g. ground of control cabinet)

#### Order code mains filter Compax3S

for C3S025V2 or S063V2	NFI	0	1	/	0	1		
for C3S0xxV4, S150V4 or S1xxV2	NFI	0	1	/	0	2		
for C3S300V4	NFI	0	1	/	0	3		

#### Order Code mains filter PSUP

for PSUP10	Reference axis combination 3x480V 25A 6x10m motor cable length	NFI	0	3	/	0	1	
for PSUP10	Reference axis combination 3x480V 25A 6x50m motor cable length	NFI	0	3	/	0	2	
for PSUP20 & PSUP30	Reference axis combination 3x480V 50A 6x50m motor cable length	NFI	0	3	/	0	3	

#### Order code for mains filters

for PSUP30	Mains filter	LCG-0055-0.45 mH
for PSUP30	Mains filter with UL approval	LCG-0055-0.45 mH-UL

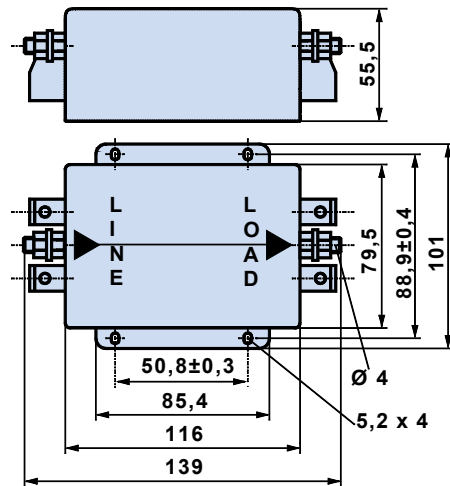
#### Order code mains filter Compax3H

for C3H050V4	NFI	0	2	/	0	1		
for C3H090V4	NFI	0	2	/	0	2		
for C3H1xxV4	NFI	0	2	/	0	3		

9.2.1.1 Mains filter NFI01/01

for Compax3 S025 V2 and Compax3 S063 V2

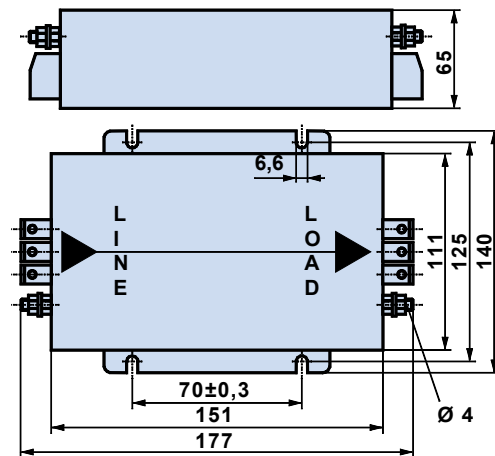
Dimensional drawing:



9.2.1.2 Mains filter NFI01/02

for Compax3 S0xx V4, Compax3 S150 V4 and Compax3 S1xx V2

Dimensional drawing:

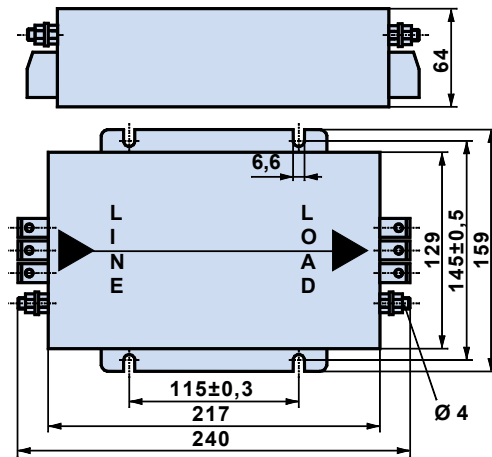


Stated in mm

9.2.1.3 Mains filter for NFI01/03

for Compax3 S300

Dimensional drawing:

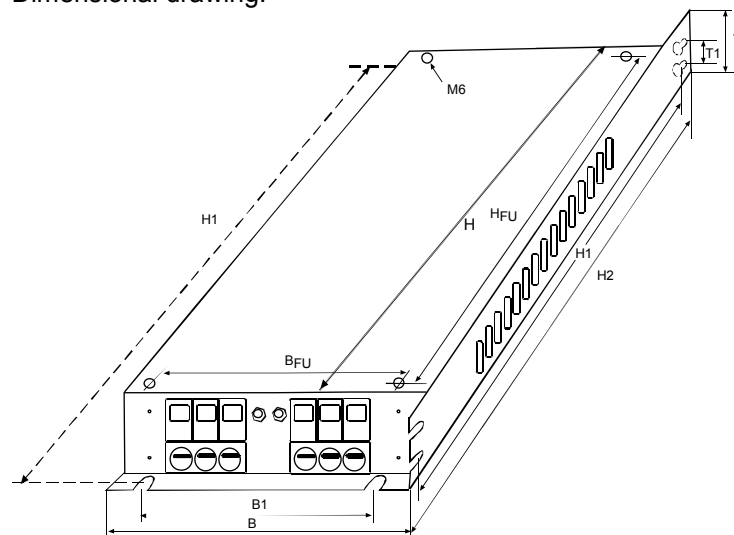


Stated in mm

9.2.1.4 Mains filter NFI02/0x

Filter for mounting below the Compax3 Hxxx V4 housing

Dimensional drawing:



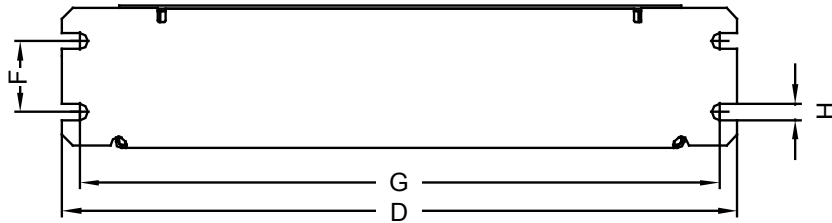
	Filter type	Dimensions				Fixing Centers			Distances		Weight	Grounding clamp	Connection clamp
		W	H2	H	D	W1	H1	D1	BFU	HFU			
		mm				mm			mm		kg		
C3H050V4	NFI02/01	233	515	456	70	186	495	40	150	440	4.3	M6	16mm <sup>2</sup>
C3H090V4	NFI02/02	249	715	649	95	210	695	40	150	630	8.5	M8	50mm <sup>2</sup>
C3H1xxV4	NFI02/03	249	830	719	110				150	700	15.0	M10	95mm <sup>2</sup>

9.2.1.5 Mains filter NFI03/01& NFI03/03

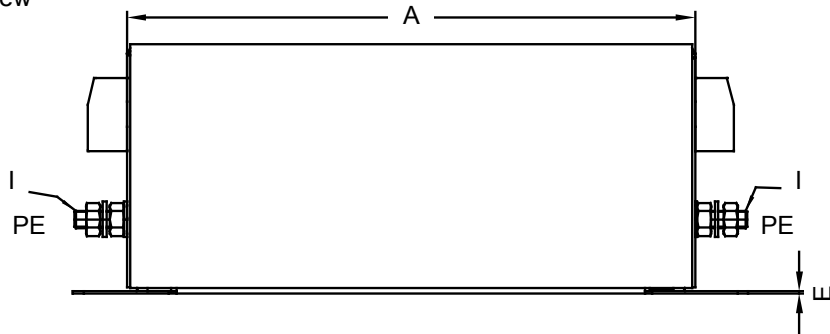
for PSUP10D6 and PSUP20D6

Dimensional drawing:

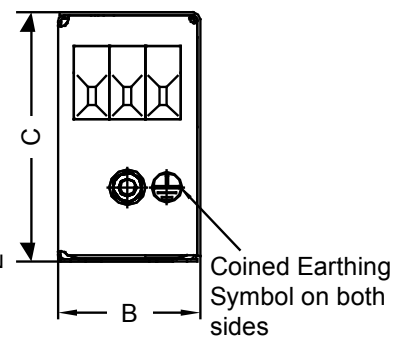
Bottom view



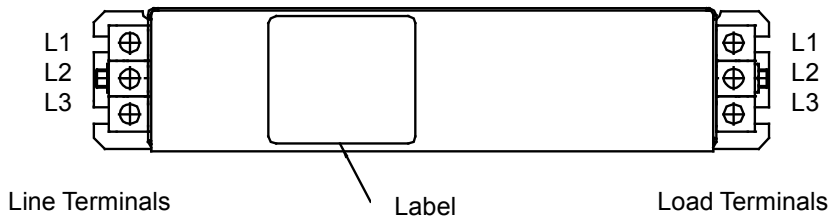
Side view



Front view



Top view



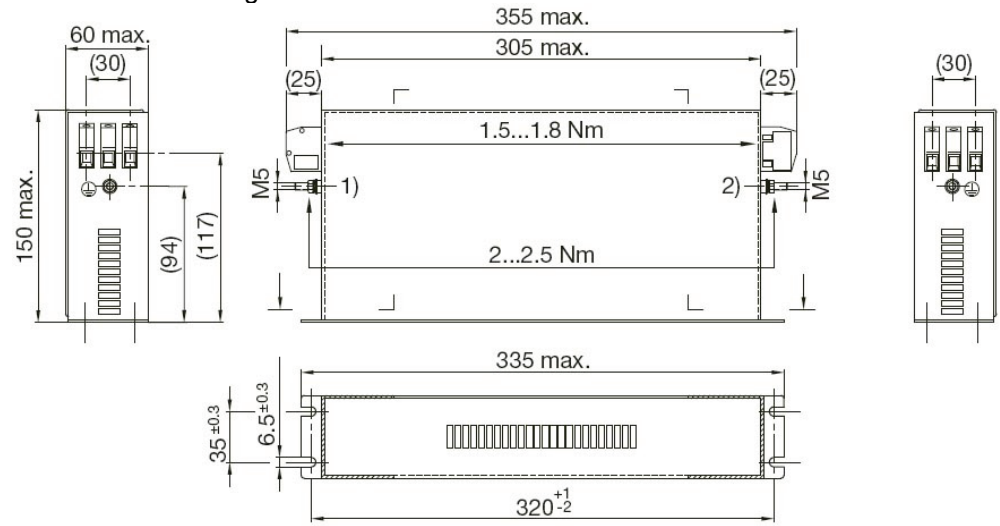
Filter type									Weight	GND(I)	Connection clamp
	A	B	C	D	I	F	G	H			
NFI03/01	240	50	85	270	0.8	30	255	5.4	1.5	M5	10mm <sup>2</sup>
NFI03/03	220	85	90	250	1.0	60	235	5.4	2.4	M6	16mm <sup>2</sup>

Stated in mm

9.2.1.6 Mains filter NFI03/02

for PSUP10D6

Dimensional drawing:



### 9.2.2. Motor output filter

We offer motor output filters for disturbance suppression when the motor connecting cables are long (>20m):

Order code for motor output filter (for Compax3S, Compax3M >20m motor cable)

		/		
--	--	---	--	--

up to 6,3 A rated motor current	MDR	0	1	/	0	4
Up to 16 A rated motor current	MDR	0	1	/	0	1
Up to 30A A rated motor current	MDR	0	1	/	0	2

Larger motor output filters are available on request!

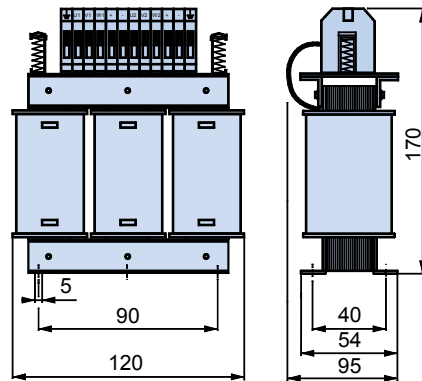
**In this chapter you can read about:**

Motor output filter MDR01/04.....	170
Motor output filter MDR01/01.....	170
Motor output filter MDR01/02.....	171
Wiring of the motor output filter.....	171

#### 9.2.2.1 Motor output filter MDR01/04

**up to 6.3A nominal motor current (3.6mH)**

Dimensional drawing:

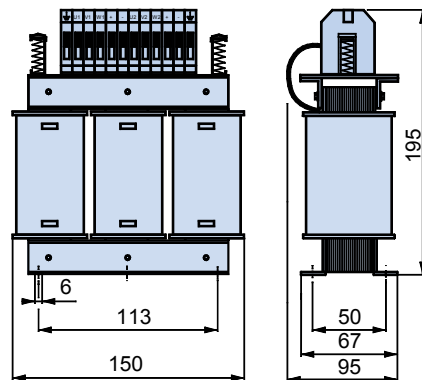


Stated in mm

#### 9.2.2.2 Motor output filter MDR01/01

**Up to 16 A nominal motor current (2mH)**

Dimensional drawing:

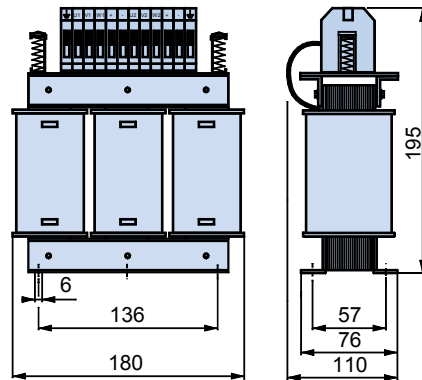


Stated in mm

### 9.2.2.3 Motor output filter MDR01/02

up to 30A nominal motor current (1.1mH)

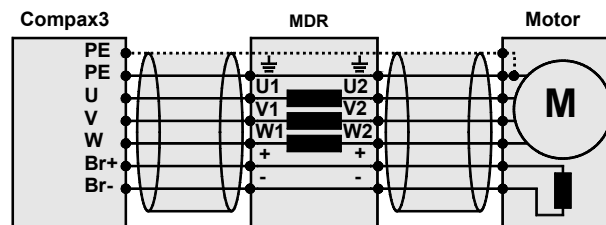
Dimensional drawing:



Weight: 5.8kg

Stated in mm

### 9.2.2.4 Wiring of the motor output filter



### 9.2.3. Mains chokes

Mains filters serve for reducing the low-frequency interferences on the mains side.

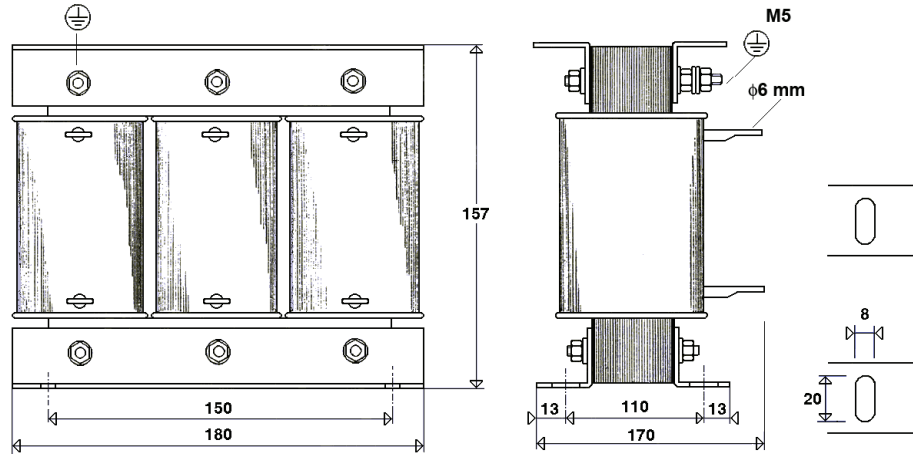
#### 9.2.3.1 Mains filter for PSUP30

**Required mains filter for the PSUP30:** 0.45 mH / 55 A

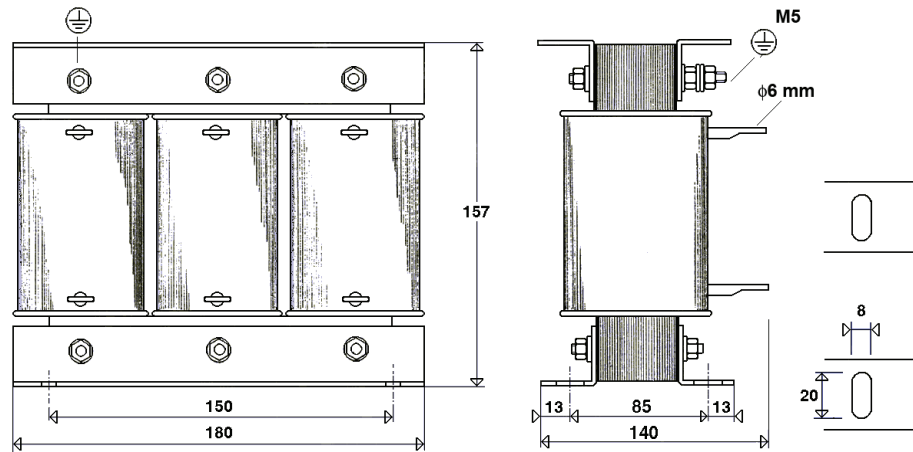
We offer the following mains filters:

- ◆ LCG-0055-0.45 mH (WxDxH: 180 mm x 140 mm x 157 mm; 10 kg)
- ◆ LCG-0055-0.45 mH-UL (with UL approval) (WxDxH: 180 mm x 170 mm x 157 mm; 15 kg)

#### Dimensional drawing: LCG-0055-0.45 mH



#### Dimensional drawing: LCG-0055-0.45 mH-UL





### 9.3 Connections to the motor

Under the designation "REK.." (resolver cables) and "MOK.." (motor cables) we can deliver motor connecting cables in various lengths to order. If you wish to make up your own cables, please consult the cable plans shown below:

**Motor cable order code <sup>(2)</sup>**

for SMH / MH56 / MH70 / MH105 <sup>(3)</sup>	(1.5mm <sup>2</sup> ; up to 13.8A)	MOK	5 5	/	... .. <sup>(1)</sup>
for SMH / MH56 / MH70 / MH105 <sup>(3)</sup>	(1.5mm <sup>2</sup> ; up to 13.8A) (cable chain compatible)	MOK	5 4	/	... .. <sup>(1)</sup>
for SMH / MH56 / MH70 / MH105 <sup>(3)</sup>	(2.5mm <sup>2</sup> ; up to 18.9A)	MOK	5 6	/	... .. <sup>(1)</sup>
for SMH / MH56 / MH70 / MH105 <sup>(3)</sup>	(2.5mm <sup>2</sup> ; up to 18.9A) (cable chain compatible)	MOK	5 7	/	... .. <sup>(1)</sup>
for MH145 / MH205 <sup>(4)</sup>	(1.5mm <sup>2</sup> ; up to 13.8A)	MOK	6 0	/	... .. <sup>(1)</sup>
for MH145 / MH205 <sup>(4)</sup>	(1.5mm <sup>2</sup> ; up to 13.8A) (cable chain compatible)	MOK	6 3	/	... .. <sup>(1)</sup>
for MH145 / MH205 <sup>(4)</sup>	(2.5mm <sup>2</sup> ; up to 18.9A)	MOK	5 9	/	... .. <sup>(1)</sup>
for MH145 / MH205 <sup>(4)</sup>	(2.5mm <sup>2</sup> ; up to 18.9A) (cable chain compatible)	MOK	6 4	/	... .. <sup>(1)</sup>
for MH145 / MH205 <sup>(4)</sup>	(6mm <sup>2</sup> ; up to 32.3A) (cable chain compatible)	MOK	6 1	/	... .. <sup>(1)</sup>
for MH145 / MH205 <sup>(4)</sup>	(10mm <sup>2</sup> ; up to 47.3A) (cable chain compatible)	MOK	6 2	/	... .. <sup>(1)</sup>

<sup>(x)</sup> **Note on cable** (see on page 161)

for resolver <sup>(2)</sup>	for MH / SMH motors	REK	4 2	/	... .. <sup>(1)</sup>
for resolver <sup>(2)</sup>	for MH / SMH motors (cable chain compatible)	REK	4 1	/	... .. <sup>(1)</sup>
for SinCos© – feedback <sup>(2)</sup>	for MH / SMH motors (cable chain compatible)	GBK	2 4	/	.. .. <sup>(1)</sup>
for EnDat 2.1 <sup>(2)</sup>	for MH / SMH motors (cable chain compatible)	GBK	3 8	/	.. .. <sup>(1)</sup>
for EnDat 2.2 <sup>(2)</sup>	for MH / SMH motors (cable chain compatible)	GBK	5 6	/	.. .. <sup>(1)</sup>
Encoder – Compax3		GBK	2 3	/	... .. <sup>(1)</sup>
for LXR linear motors	(cable chain compatible)	GBK	3 3	/	... .. <sup>(1)</sup>
for BLMA linear motors	(cable chain compatible)	GBK	3 2	/	... .. <sup>(1)</sup>

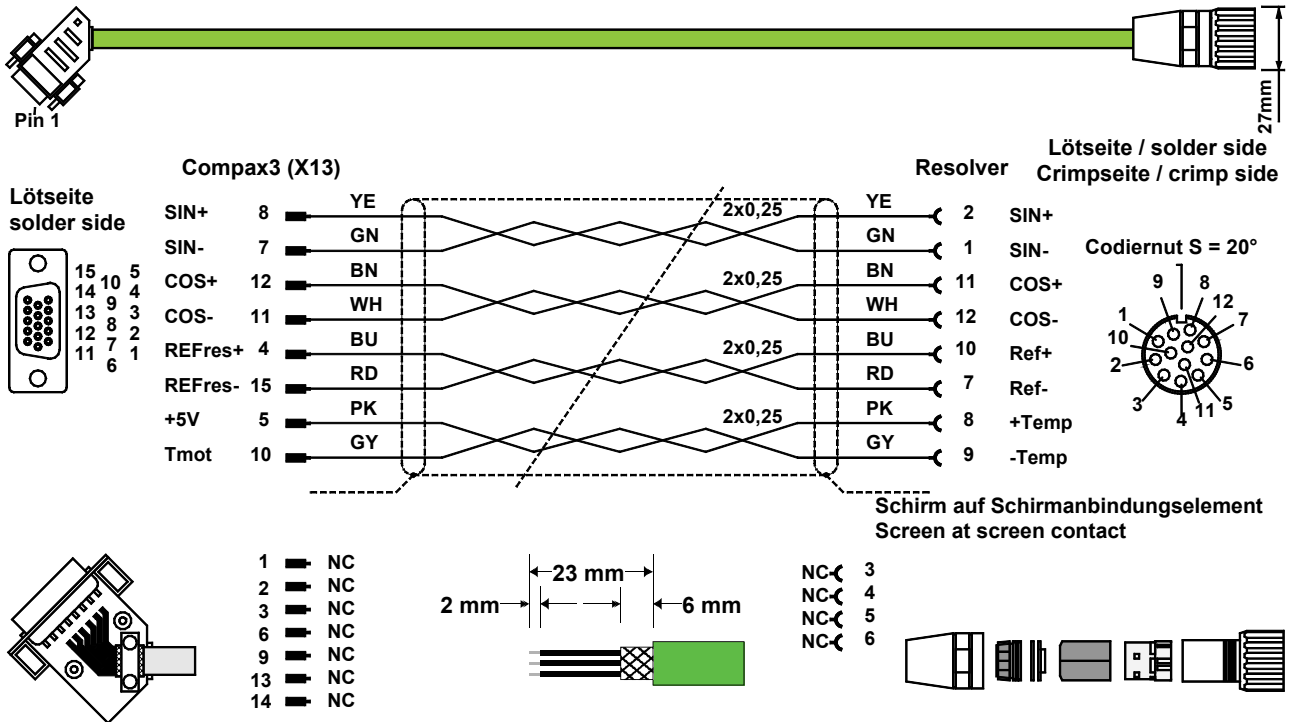
<sup>(x)</sup> **Note on cable** (see on page 161)

**In this chapter you can read about:**

Resolver cable.....	174
SinCos© cable.....	175
EnDat cable.....	175
Motor cable.....	176
Encoder cable .....	177

### 9.3.1. Resolver cable

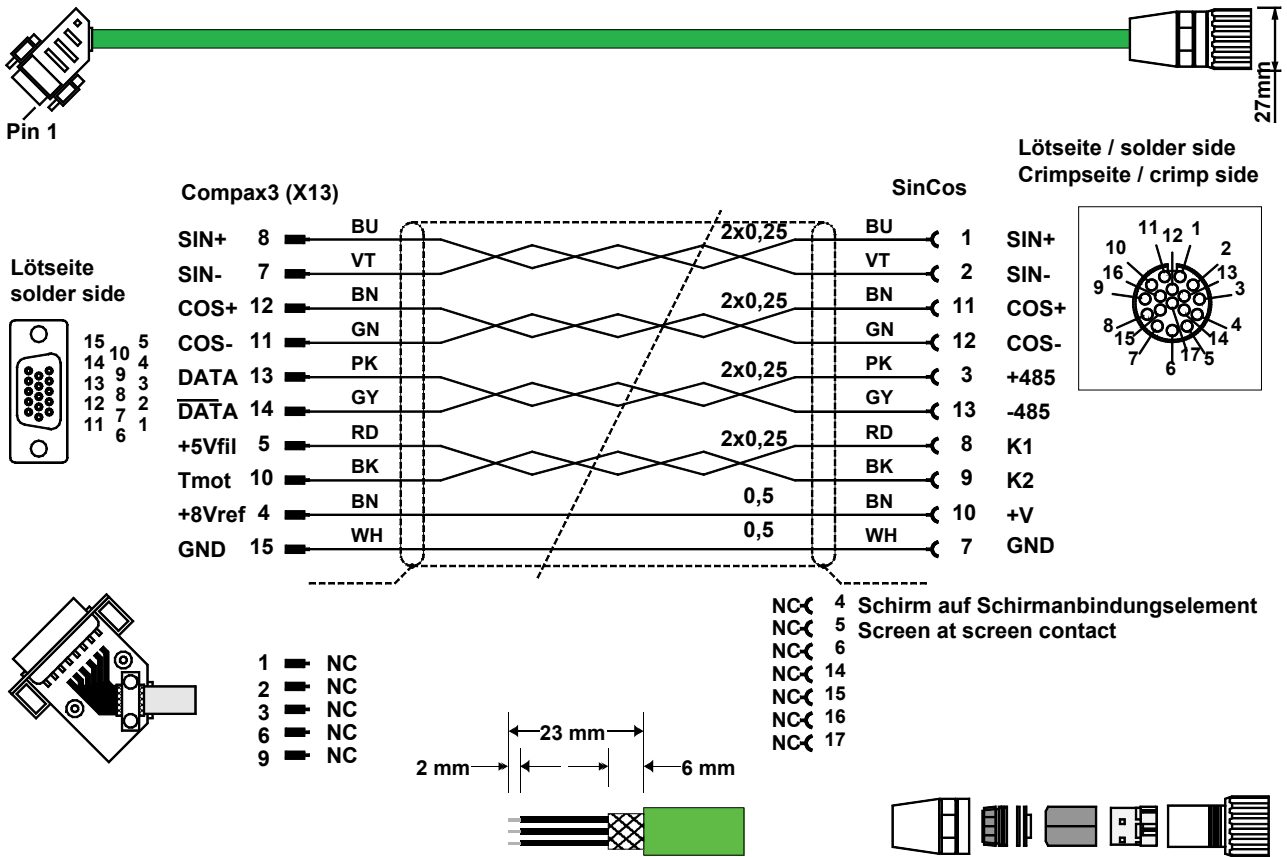
**REK42/..**



The same cable (with changed conductor coloring) is available under the designation REK41/.. in a version which is suitable for cable chain systems. You can find the length code in the Chapter **Order Code Accessories** (see on page 157).

### 9.3.2. SinCos© cable

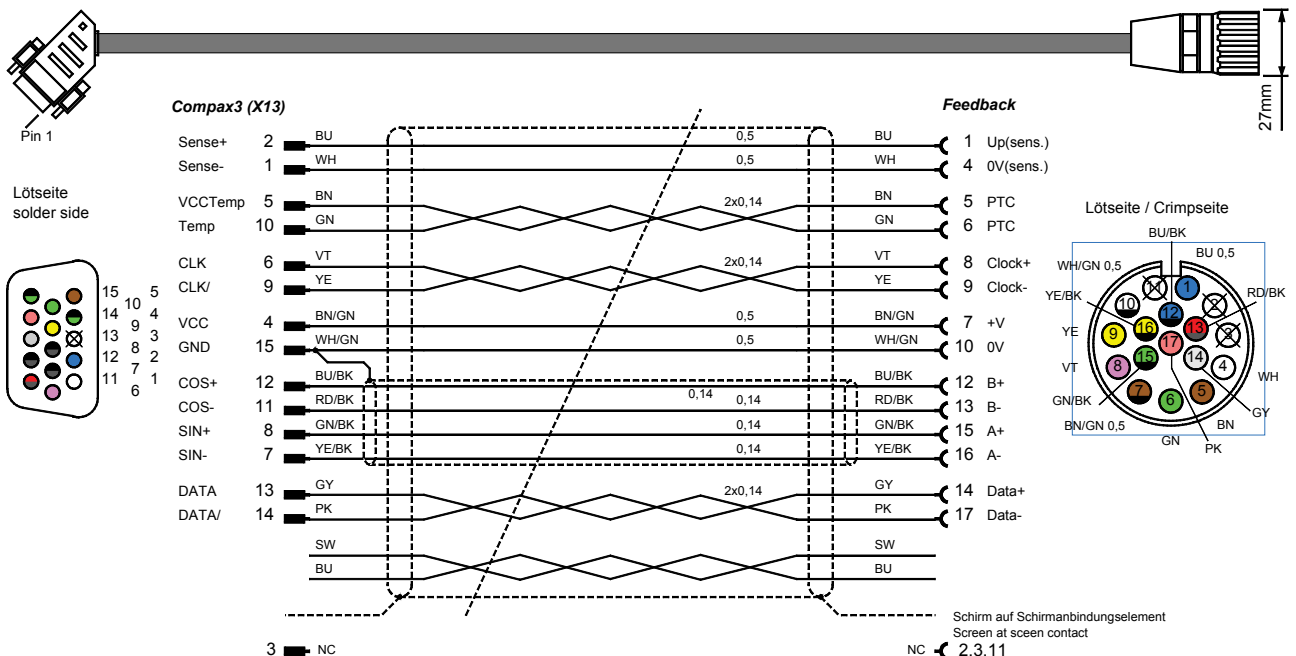
**GBK24/...: Cable chain compatible**



You can find the length code in the Chapter **Order Code Accessories** (see on page 157).

### 9.3.3. EnDat cable

**GBK38/...: (cable chain compatible) for EnDat2.1**

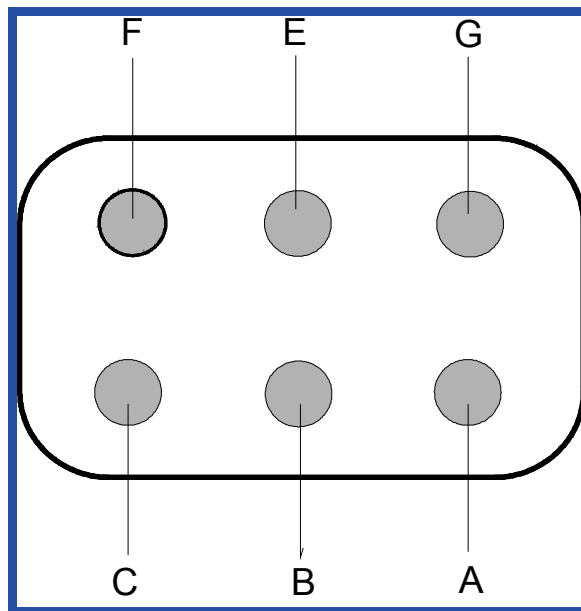


GBK56/...: (cable chain compatible) for EnDat2.2 (cable plan on request)  
 You will find the length code in the **accessories order code** (see on page 157).

### 9.3.4. Motor cable

Cross-section / max. permanent load	Motor connector SMH motors MH56, MH70, MH105		Motor terminal box MH145, MH205	
	standard	cable chain compatible	standard	cable chain compatible
1.5 mm <sup>2</sup> / up to 13.8 A	MOK55	MOK54	MOK60	MOK63
2.5 mm <sup>2</sup> / up to 18.9 A	MOK56	MOK57	MOK59	MOK64
6 mm <sup>2</sup> / up to 32.3 A	-	-	-	MOK61
10 mm <sup>2</sup> / up to 47.3 A		--	-	MOK62

#### 9.3.4.1 Connection of terminal box MH145 & MH205

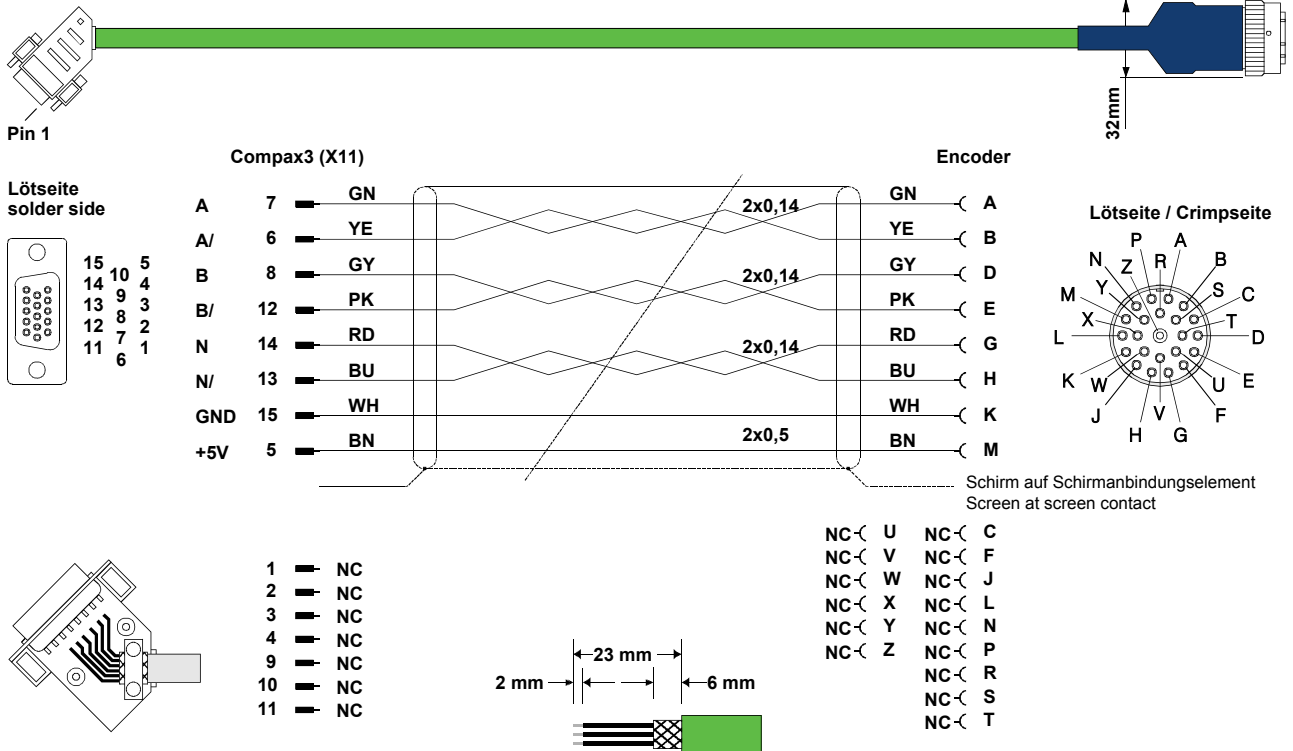


Terminal	Assignment
A	Phase U
B	Phase V
C	Phase W
E	Protective earth terminal
F	Brake (+ red for MH205)
G	Brake (- blue for MH205)

Additional designations can be found on the connection cable clamping board - motor (internal).

### 9.3.5. Encoder cable

GBK23/... Connection Compax3 - Encoder



You can find the length code in the **Order Code Accessories** (see on page 157)

## 9.4 External braking resistors



**Danger!**

**Hazards when handling ballast resistors!**

**Housing temperature up to 200°C!**

**Dangerous voltage!**

**The device may be operated only in the mounted state!**

The external braking resistors must be installed such that protection against contact is ensured (IP20).

Install the connecting leads at the bottom.

The braking resistors must be grounded.

We recommend to use a thrust washer for the BRM13 and BRM14.

Observe the instructions on the resistors (warning plate).

**Please note that the length of the supply cable must not exceed 2m!**

**In this chapter you can read about:**

Permissible braking pulse powers of the braking resistors ..... 179  
 Dimensions of the braking resistors ..... 188

**Ballast resistors Compax3**

Ballast resistor (see on page 178)	Device	Nominal Power
<b>BRM08/01 (100 Ω)</b>	Compax3S025V2 Compax3S015V4 Compax3S038V4	60 W
<b>BRM05/01 (56 Ω)</b>	Compax3S063V2 Compax3S075V4	180 W
<b>BRM05/02 (56 Ω)</b>	Compax3S075V4	570 W
<b>BRM10/01 (47 Ω)</b>	Compax3S150V4	570 W
<b>BRM10/02 (47 Ω)</b>	Compax3S150V4	1500 kW
<b>BRM04/01 (15 Ω)</b>	Compax3S150V2 Compax3S300V4 PSUP20D6	570 W
<b>BRM04/02 (15 Ω)</b>	Compax3S150V2 Compax3S300V4 PSUP20D6	740 W
<b>BRM04/03 (15 Ω)</b>	Compax3S300V4 PSUP20D6	1500 W
<b>BRM09/01 (22 Ω)</b>	Compax3S100V2	570 W
<b>BRM11/01 (27 Ω)</b>	Compax3H0xxV4	3500 W
<b>BRM13/01 (30 Ω)</b>	PSUP10D6 PSUP20D6** PSUP30D6**	500 W
<b>BRM14/01 (15 Ω)</b>	PSUP10D6* PSUP20D6 PSUP30D6	500 W
<b>BRM12/01 (18 Ω)</b>	Compax3H1xxV4 PSUP30D6	4500 W

\*for PSUP10D6 2x15Ω in series

\*\*for PSUP20D6 and PSUP30D6 2x30Ω parallel

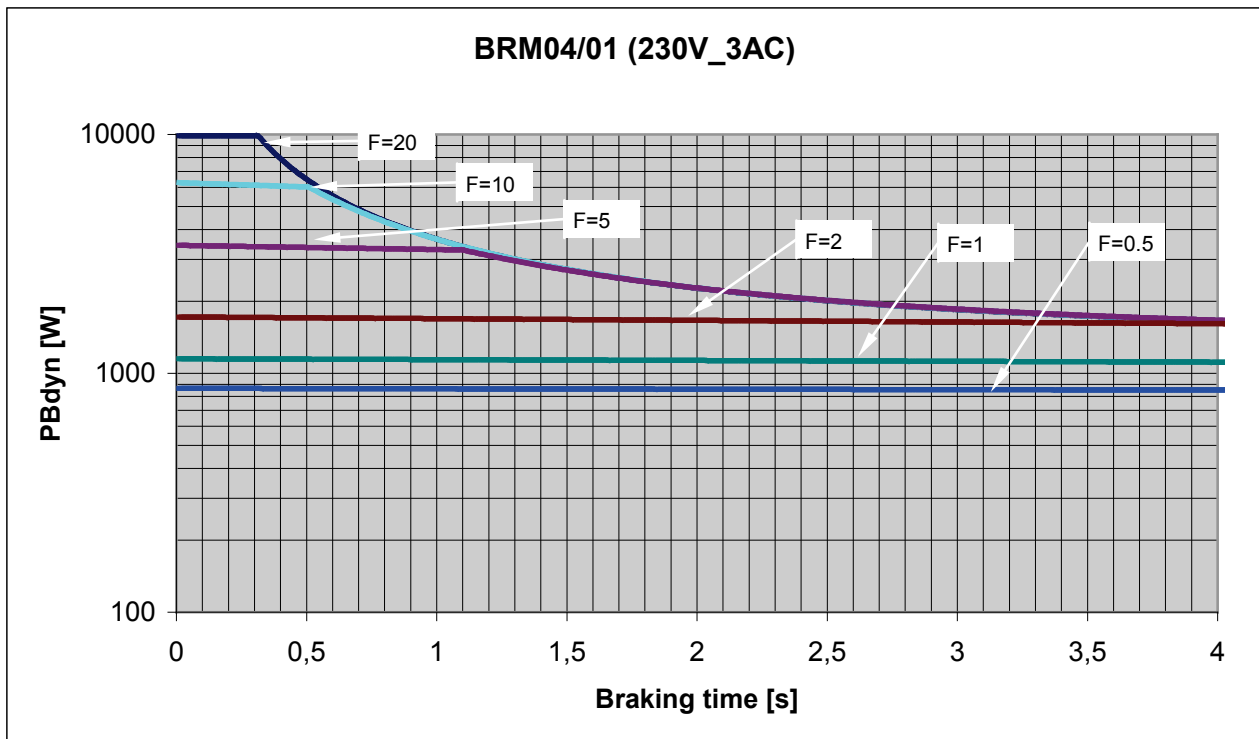
### 9.4.1. Permissible braking pulse powers of the braking resistors

In this chapter you can read about:

Calculation of the BRM cooling time .....	179
Permissible braking pulse power: BRM08/01 with C3S015V4 / C3S038V4 .....	180
Permissible braking pulse power: BRM08/01 with C3S025V2 .....	181
Permissible braking pulse power: BRM09/01 with C3S100V2 .....	181
Permissible braking pulse power: BRM10/01 with C3S150V4 .....	182
Permissible braking pulse power: BRM10/02 with C3S150V4 .....	182
Permissible braking pulse power: BRM05/01 with C3S063V2 .....	183
Permissible braking pulse power: BRM05/01 with C3S075V4 .....	183
Permissible braking pulse power: BRM05/02 with C3S075V4 .....	184
Permissible braking pulse power: BRM04/01 with C3S150V2 .....	184
Permissible braking pulse power: BRM04/01 with C3S300V4 .....	185
Permissible braking pulse power: BRM04/02 with C3S150V2 .....	185
Permissible braking pulse power: BRM04/02 with C3S300V4 .....	186
Permissible braking pulse power: BRM04/03 with C3S300V4 .....	186
Permissible braking pulse power: BRM11/01 with C3H0xxV4 .....	187
Permissible braking pulse power: BRM12/01 with C3H1xxV4 .....	187
Permissible braking pulse power: BRM13/01 with PSUP10D6 .....	188
Permissible braking pulse power: BRM14/01 with PSUP10D6 .....	188

The diagrams show the permissible braking pulse powers of the braking resistors in operation with the assigned Compax3.

#### 9.4.1.1 Calculation of the BRM cooling time



F = Factor

Cooling time = F \* braking time

Example 1: For a braking time of 1s, a braking power of 1kW is required. The Diagram shows the following:

The required values can be found in the range between characteristic F = 0.5 and F = 1. In order to achieve operating safety, please select the higher factor, this means that the required cooling time is 1s.

F \* Braking time = cooling time

1 \* 1s = 1s

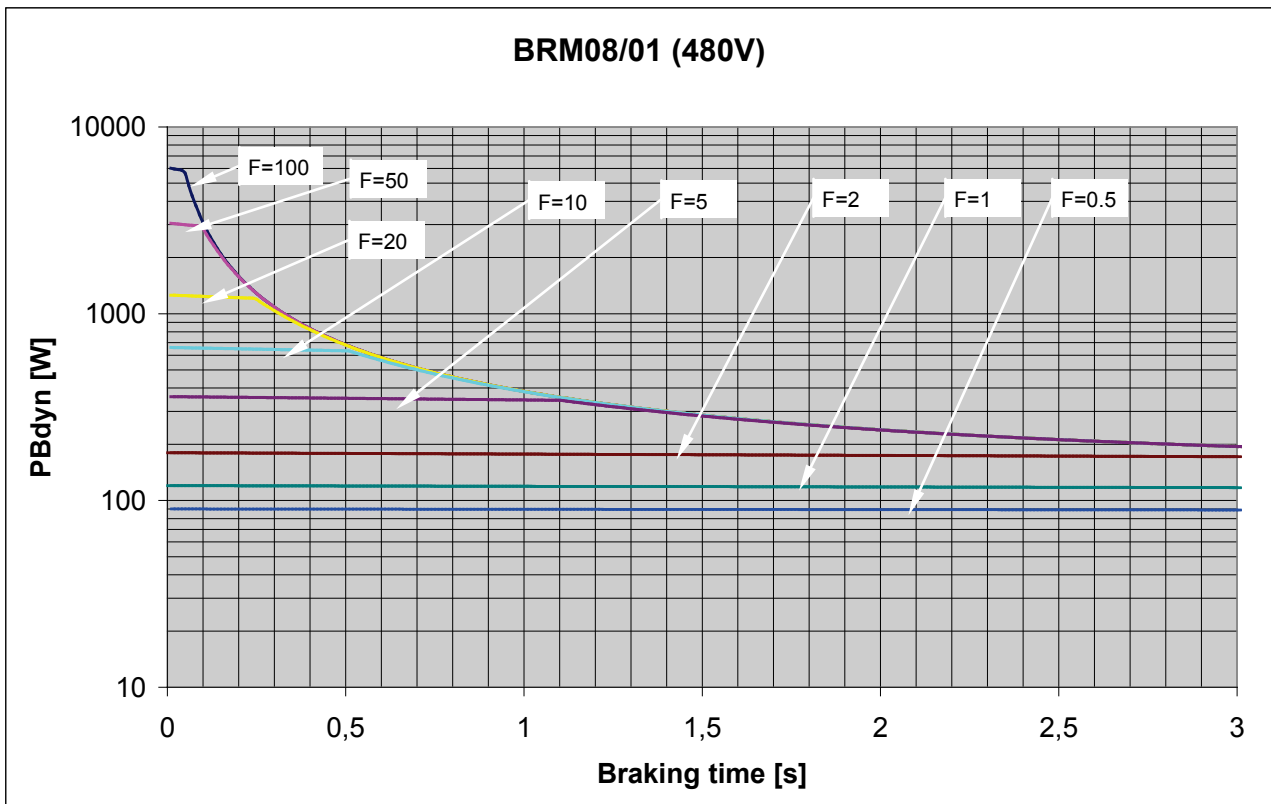
Example 2: For a braking time of 0.5s, a braking power of 3kW is required. The Diagram shows the following:

The required values can be found in the range between characteristic F = 2 and F = 5. In order to achieve operating safety, please select the higher factor, this means that the required cooling time is 2.5s.

F \* Braking time = cooling time

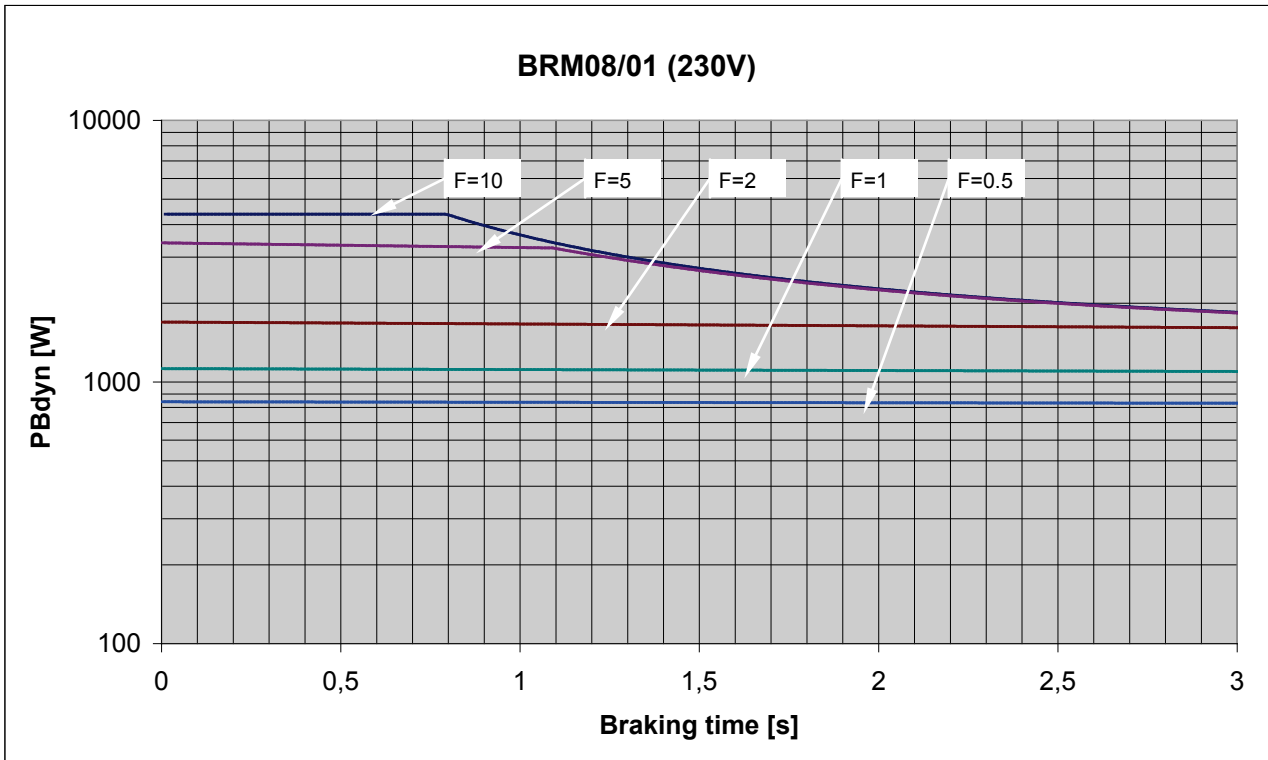
5 \* 0.5s = 2.5s

9.4.1.2 Permissible braking pulse power: BRM08/01 with C3S015V4 / C3S038V4

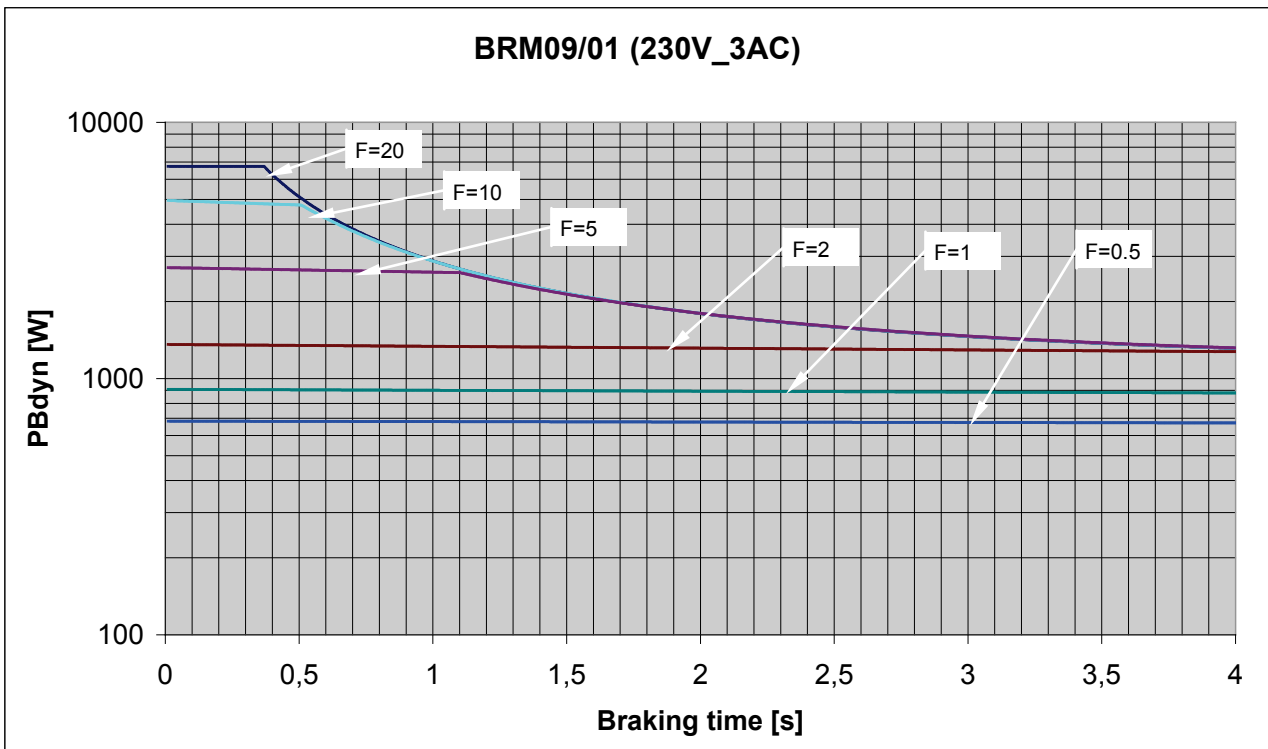




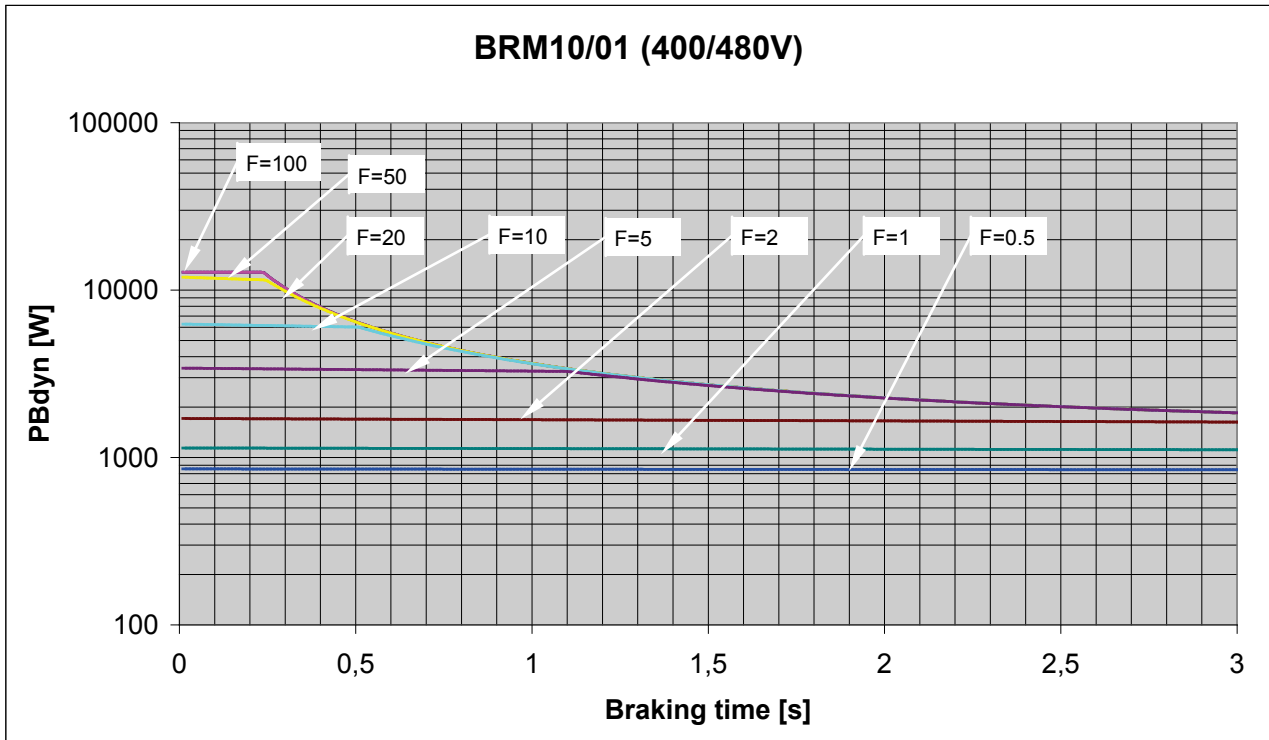
9.4.1.3 Permissible braking pulse power: BRM08/01 with C3S025V2



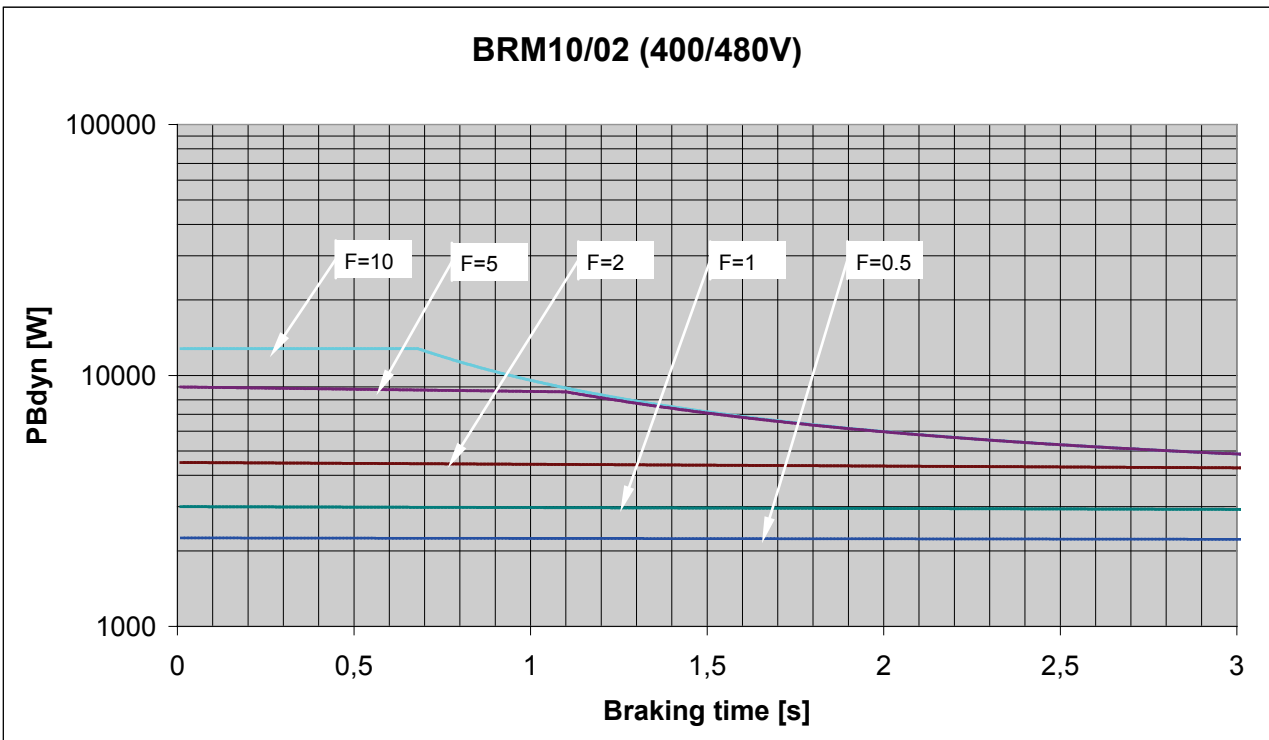
9.4.1.4 Permissible braking pulse power: BRM09/01 with C3S100V2



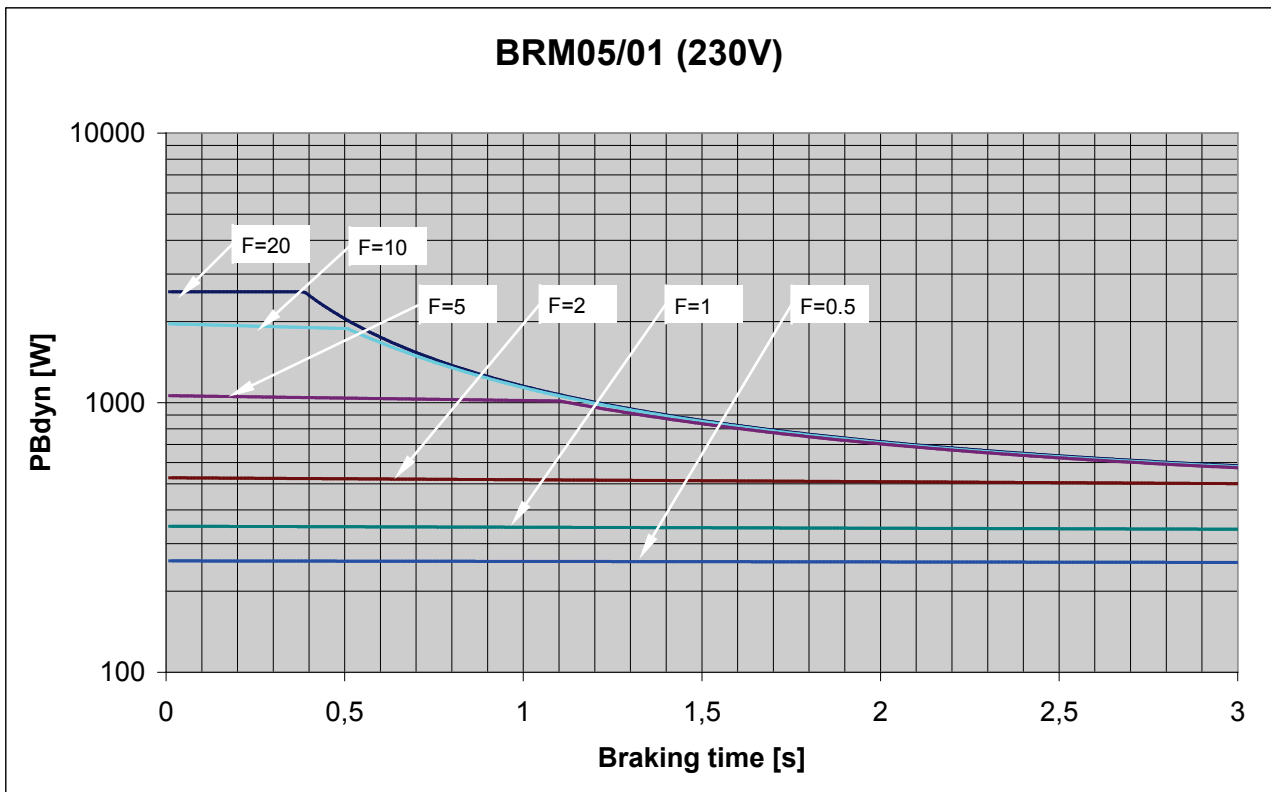
9.4.1.5 Permissible braking pulse power: BRM10/01 with C3S150V4



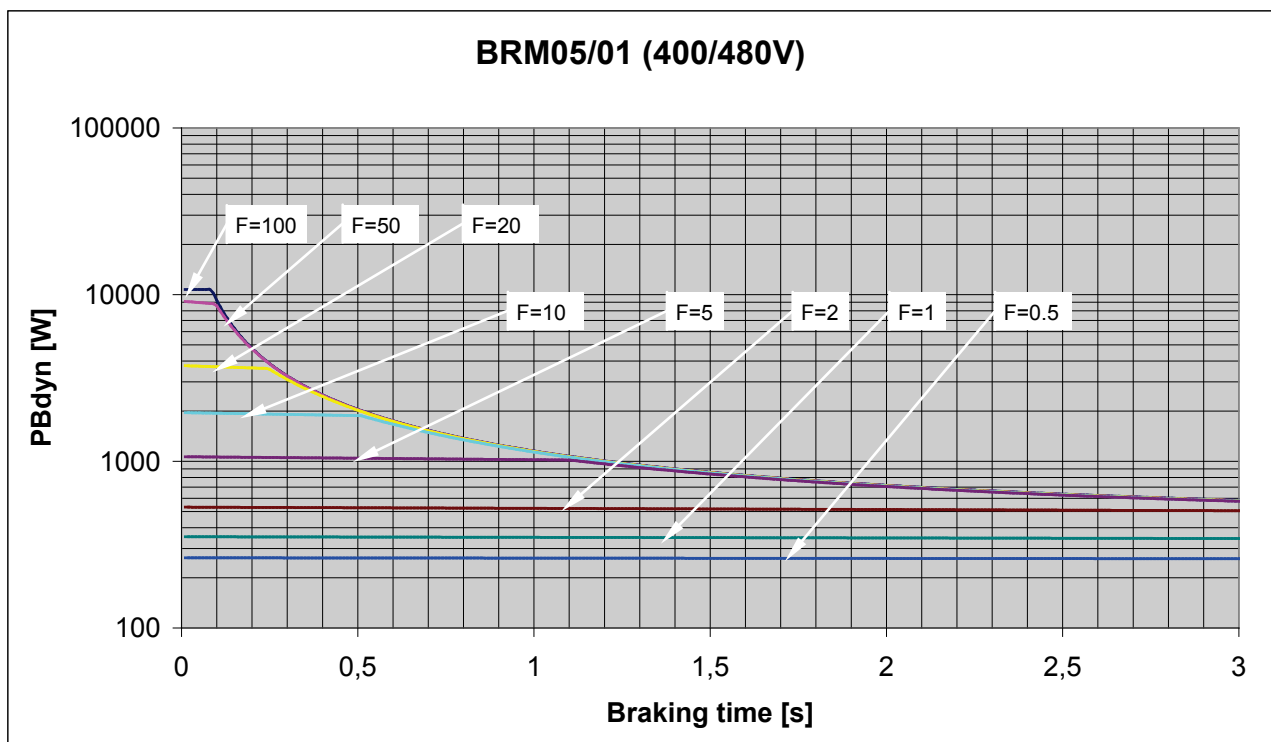
9.4.1.6 Permissible braking pulse power: BRM10/02 with C3S150V4



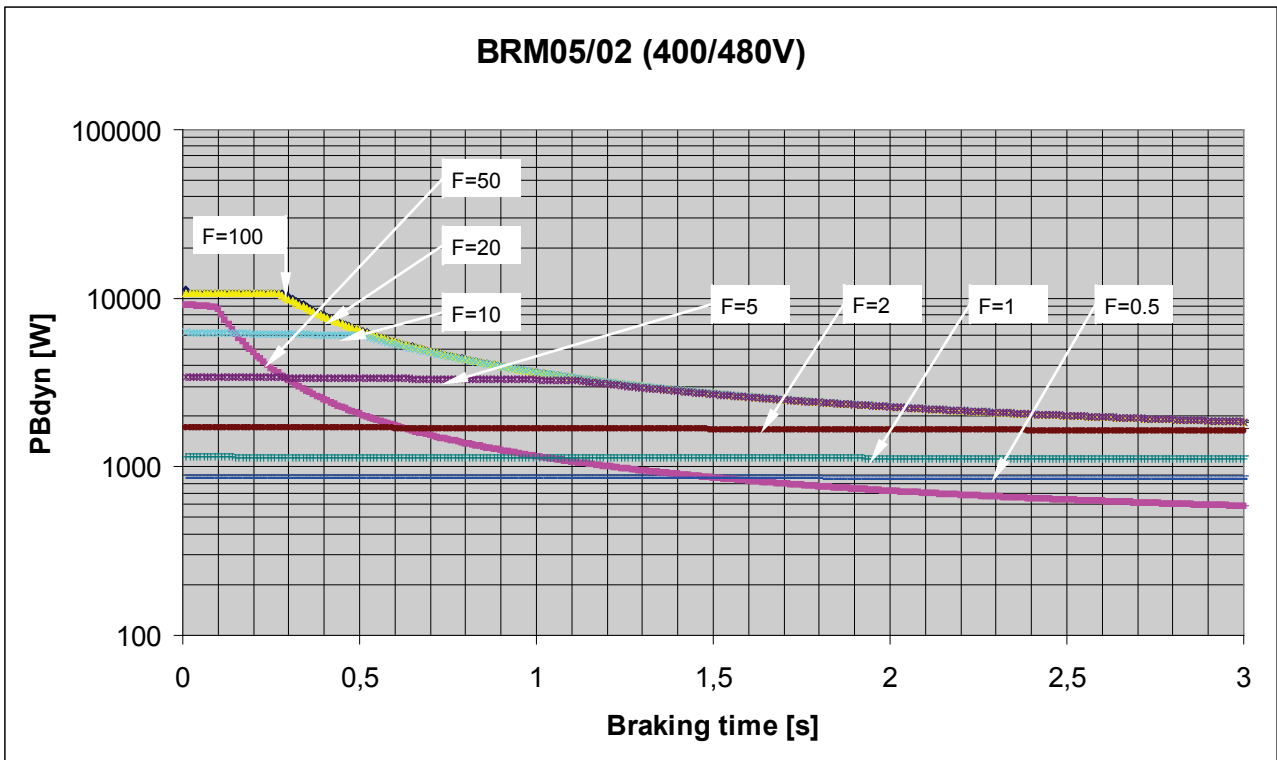
9.4.1.7 Permissible braking pulse power: BRM05/01 with C3S063V2



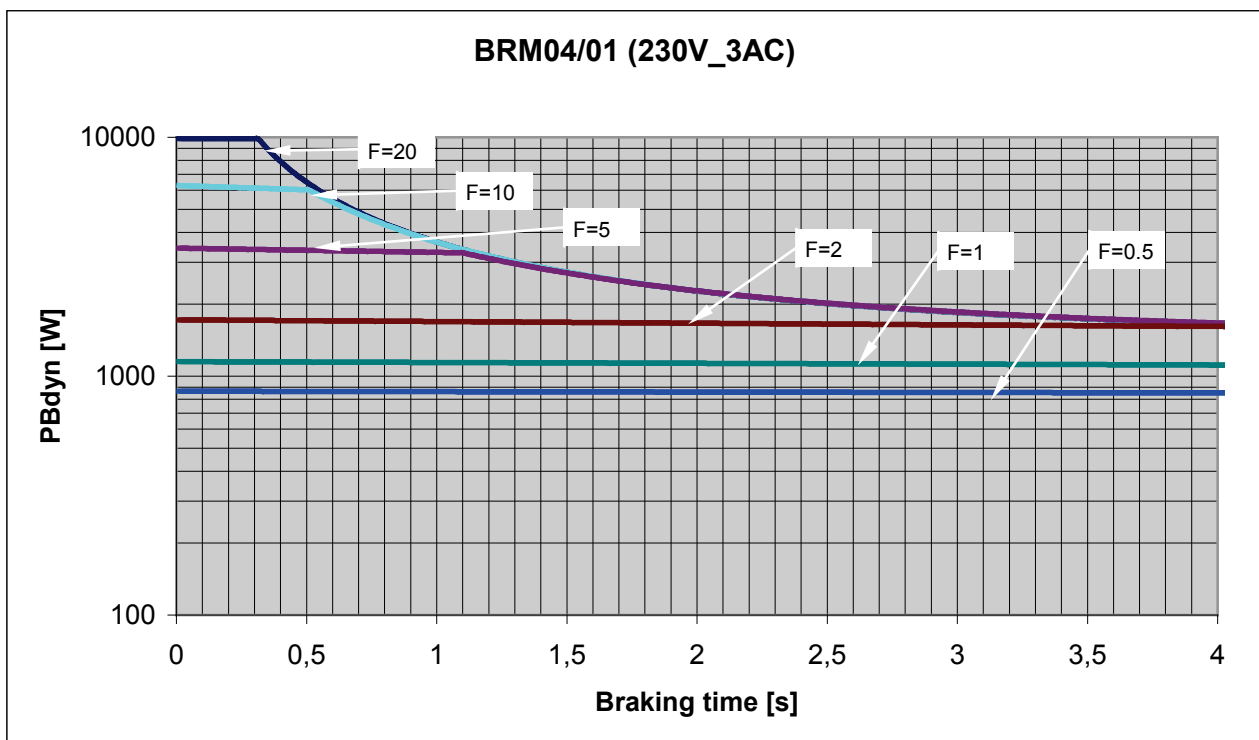
9.4.1.8 Permissible braking pulse power: BRM05/01 with C3S075V4



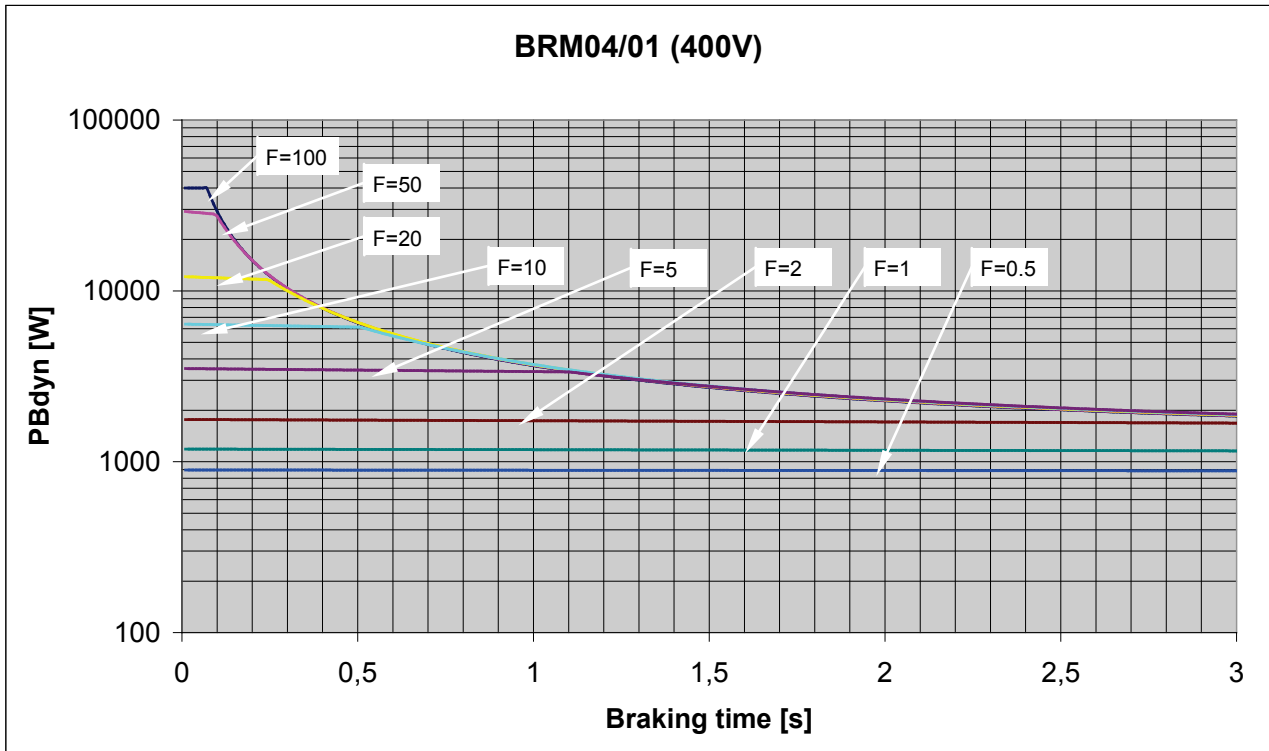
9.4.1.9 Permissible braking pulse power: BRM05/02 with C3S075V4



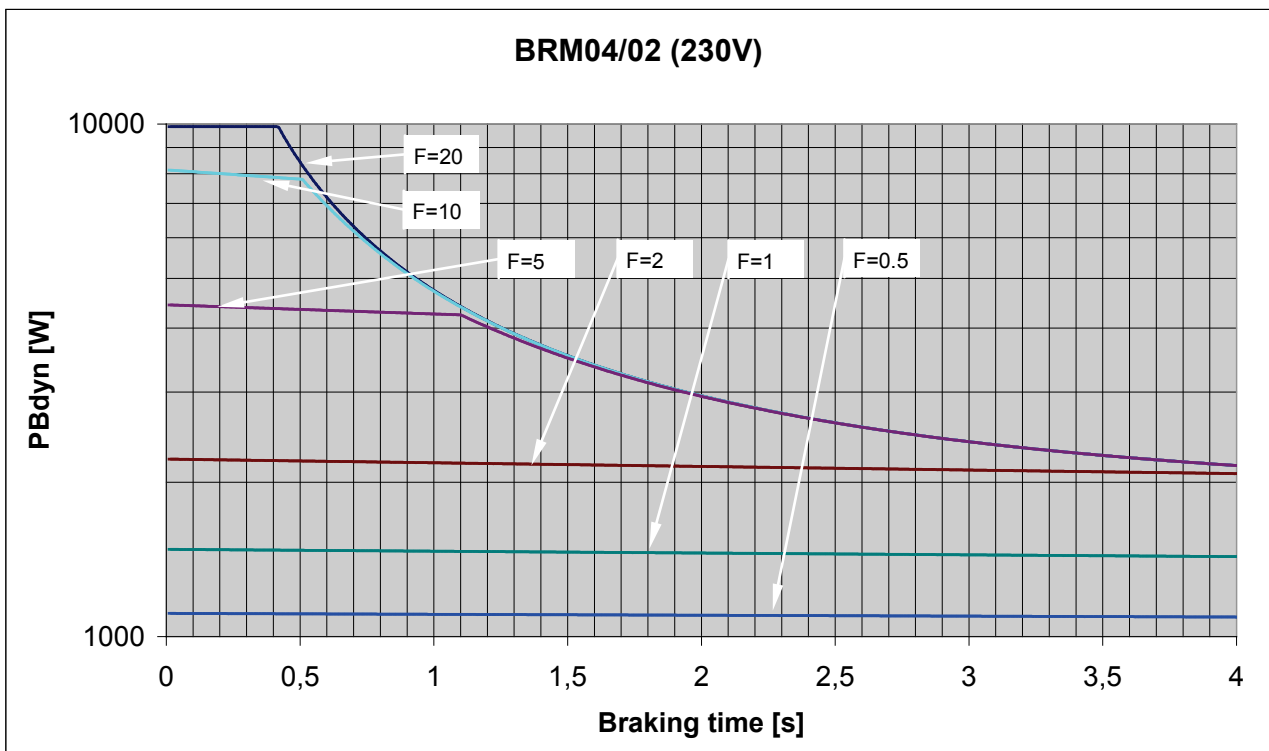
9.4.1.10 Permissible braking pulse power: BRM04/01 with C3S150V2



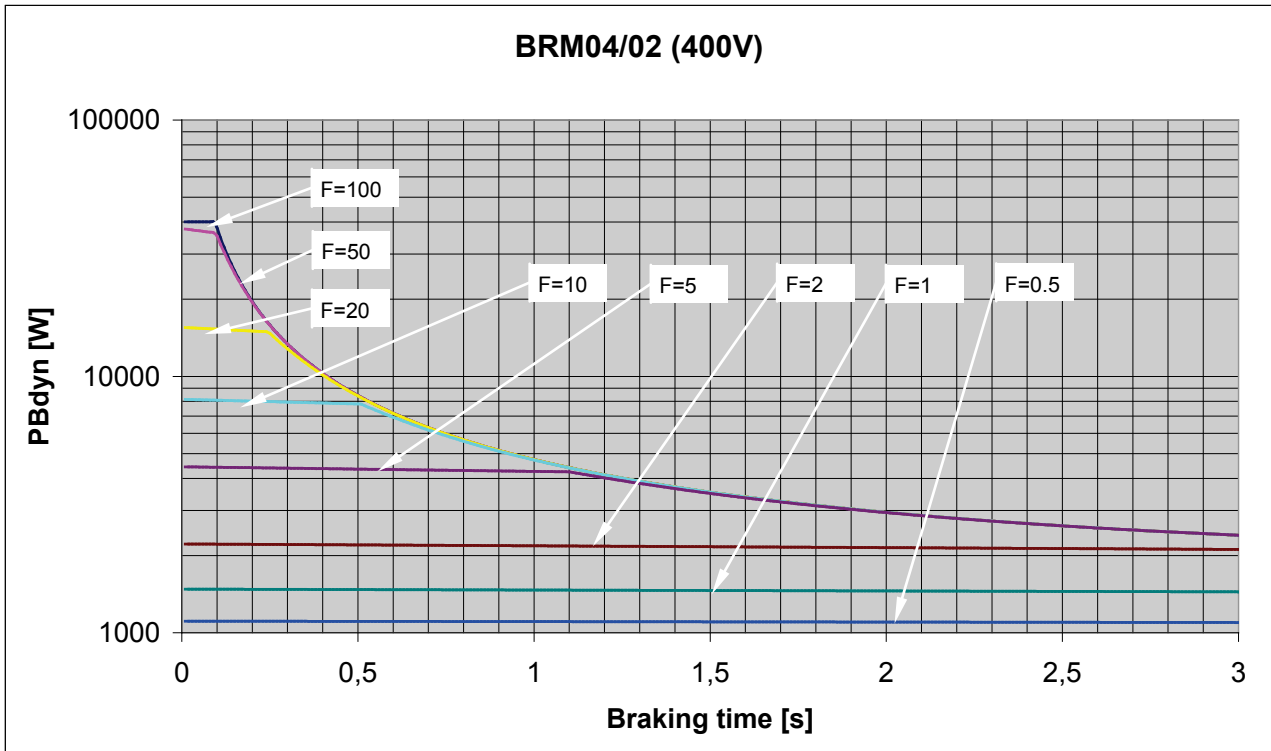
9.4.1.11 Permissible braking pulse power: BRM04/01 with C3S300V4



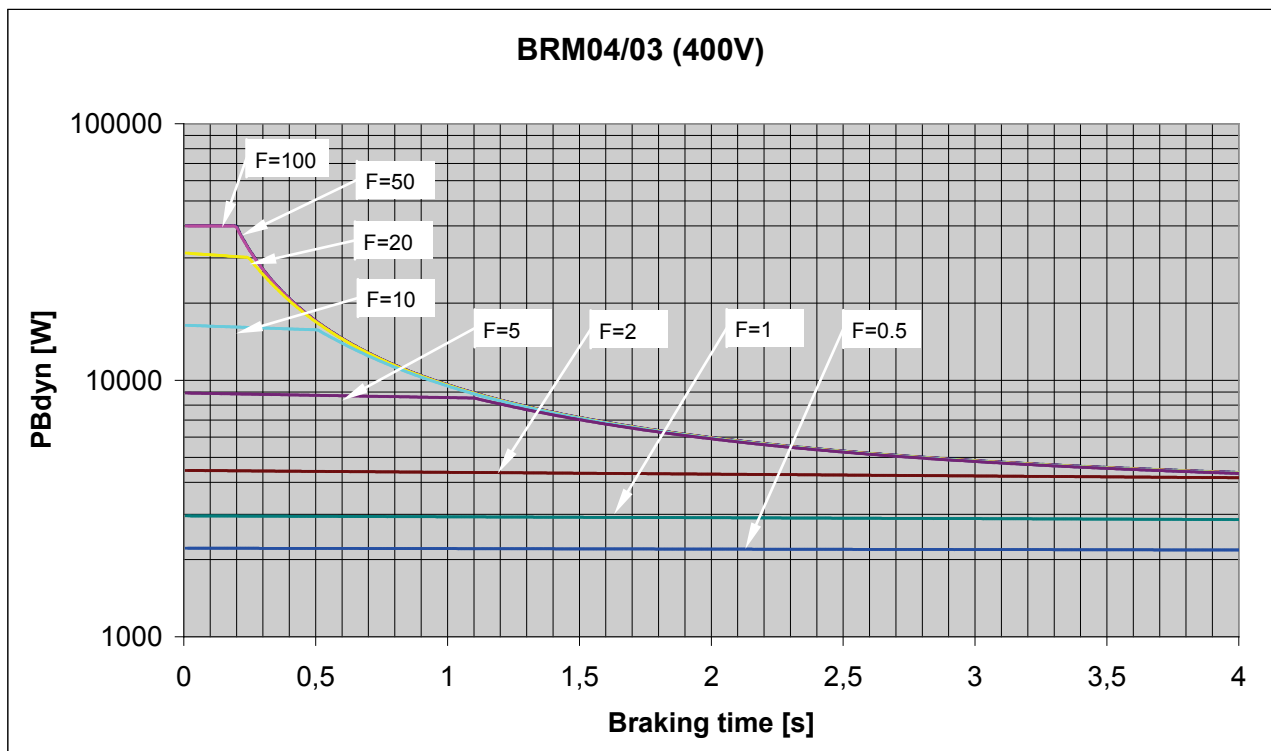
9.4.1.12 Permissible braking pulse power: BRM04/02 with C3S150V2



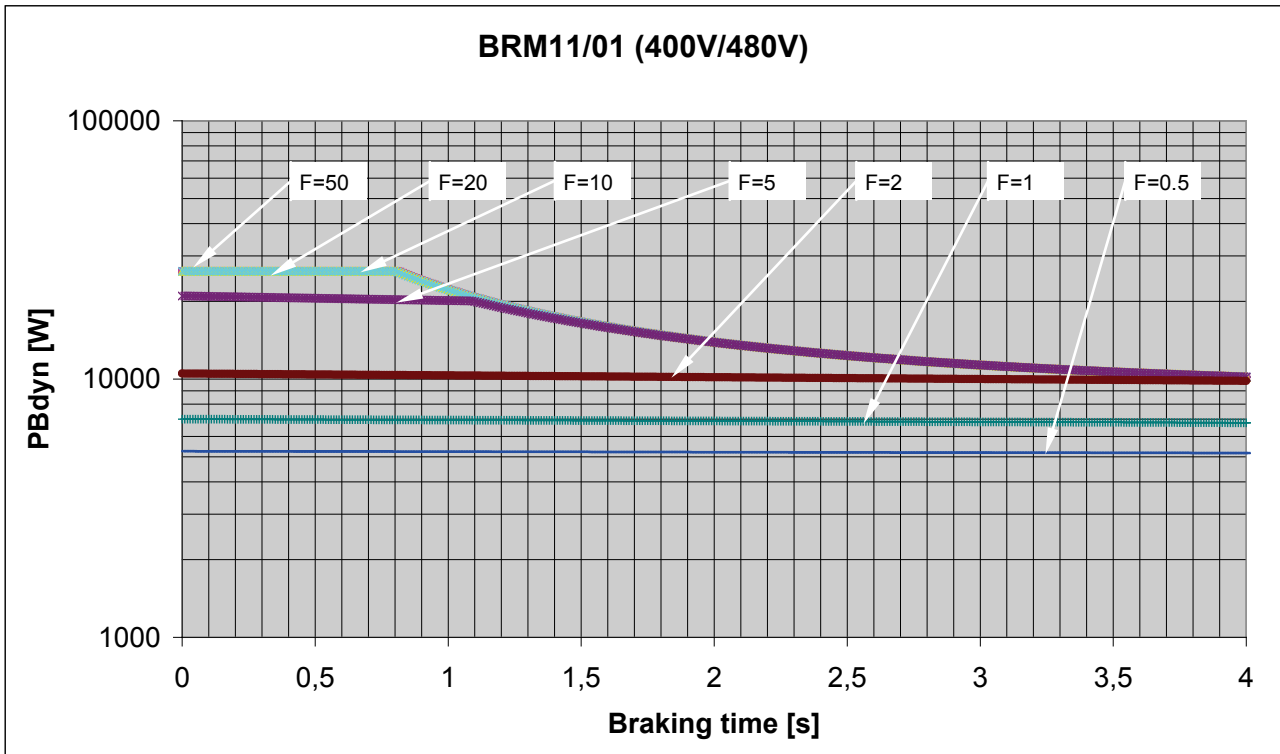
9.4.1.13 Permissible braking pulse power: BRM04/02 with C3S300V4



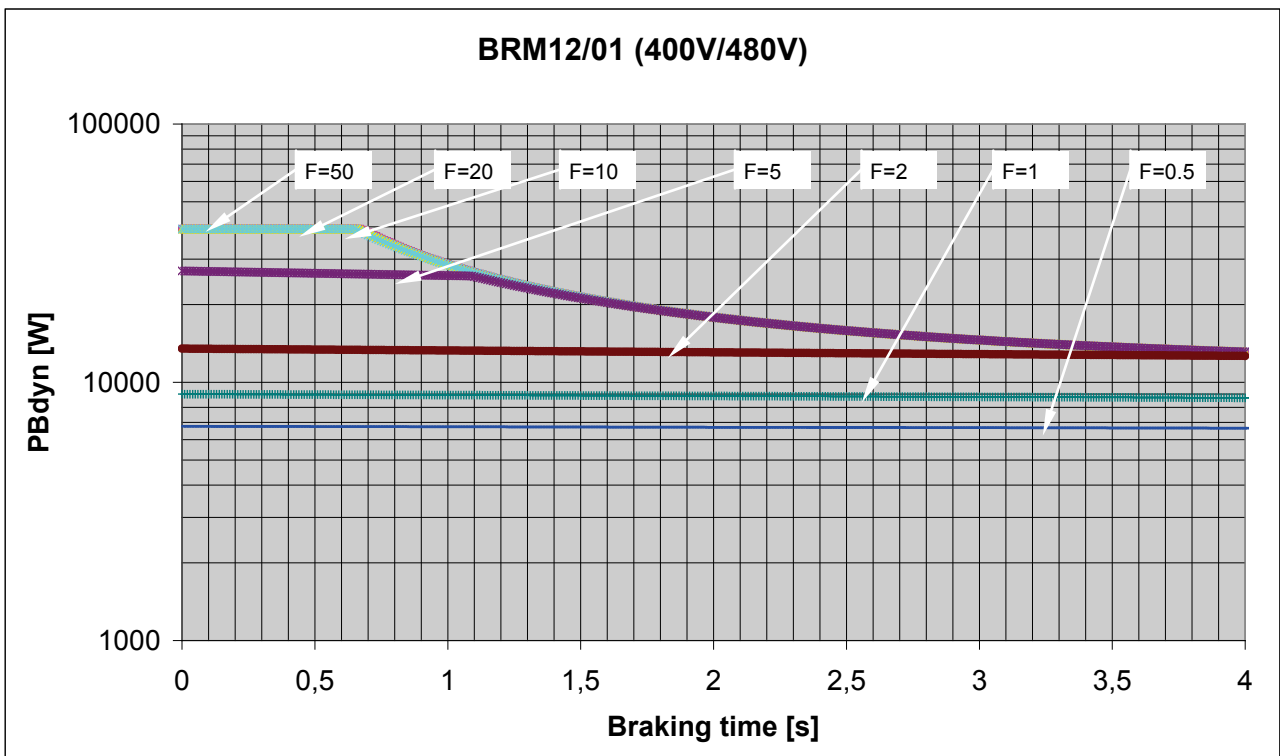
9.4.1.14 Permissible braking pulse power: BRM04/03 with C3S300V4



9.4.1.15 Permissible braking pulse power: BRM11/01 with C3H0xxV4



9.4.1.16 Permissible braking pulse power: BRM12/01 with C3H1xxV4



9.4.1.17 **Permissible braking pulse power: BRM13/01 with PSUP10D6**

on request

9.4.1.18 **Permissible braking pulse power: BRM14/01 with PSUP10D6**

on request

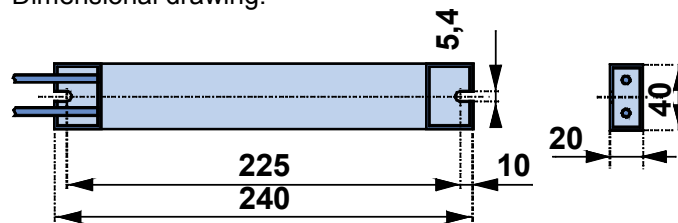
**9.4.2. Dimensions of the braking resistors**

In this chapter you can read about:

BRM8/01 braking resistors.....	188
BRM5/01 braking resistor .....	188
Braking resistor BRM5/02, BRM9/01 & BRM10/01 .....	189
Braking resistor BRM4/0x and BRM10/02 .....	189
Braking resistor BRM11/01 & BRM12/01 .....	190
Ballast resistor BRM13/01 & BRM14/01 .....	190

9.4.2.1 **BRM8/01 braking resistors**

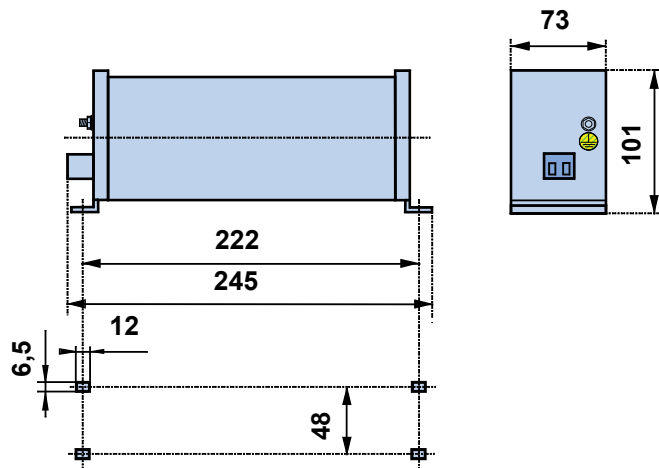
Dimensional drawing:



Stated in mm

9.4.2.2 **BRM5/01 braking resistor**

Dimensional drawing:

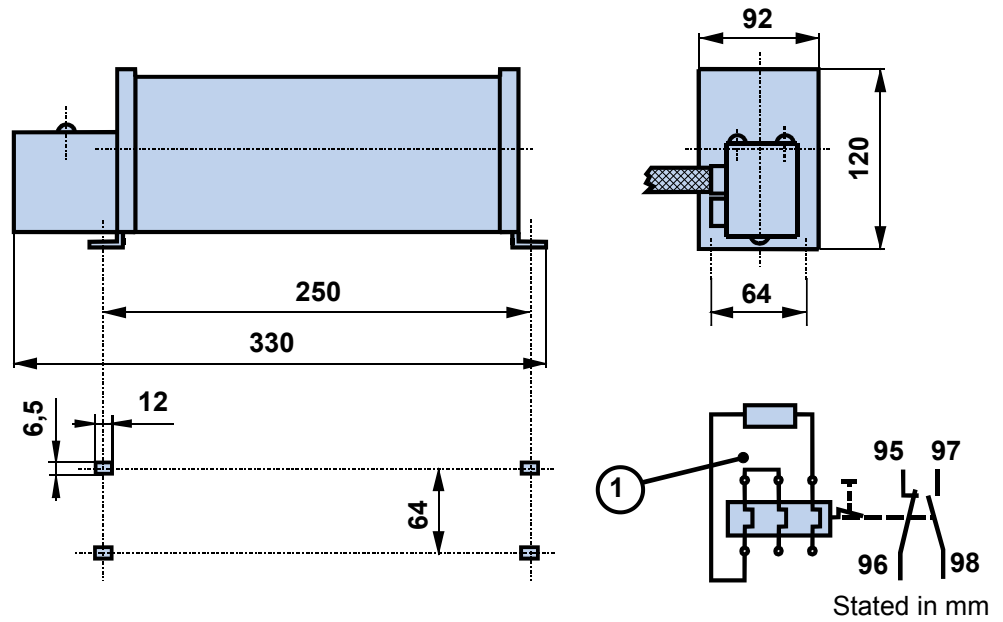


Stated in mm



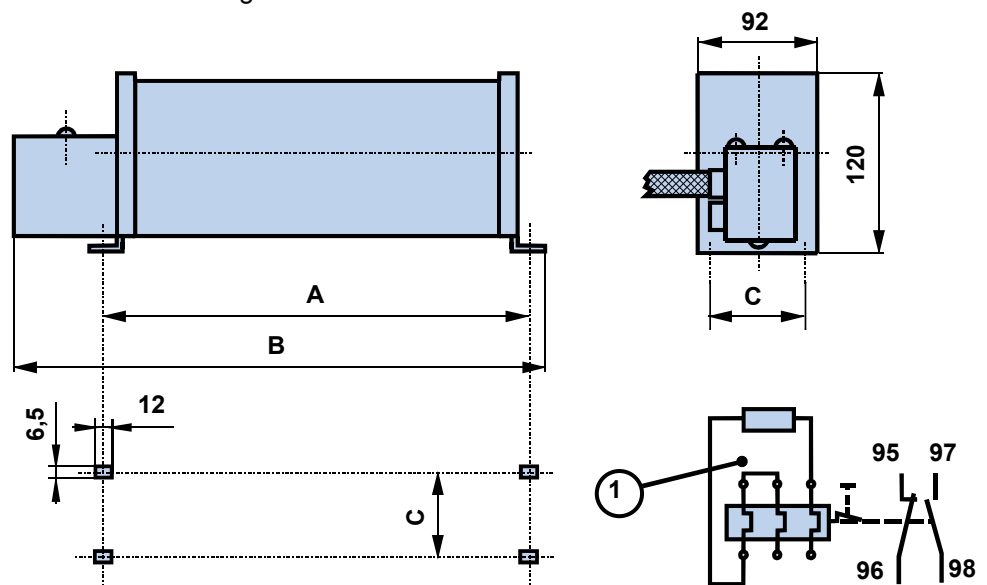
### 9.4.2.3 Braking resistor BRM5/02, BRM9/01 & BRM10/01

Dimensional drawing:



### 9.4.2.4 Braking resistor BRM4/0x and BRM10/02

Dimensional drawing:

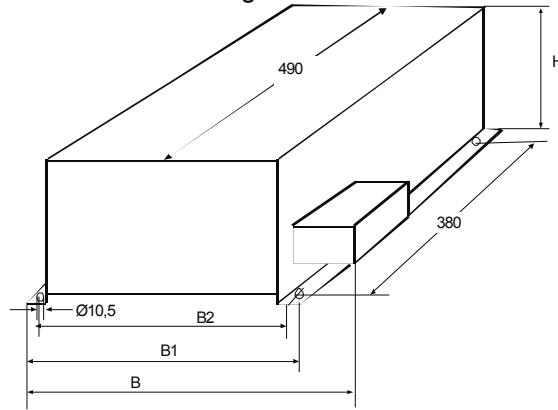


1: thermal overcurrent relay

		BRM4/01	BRM4/02	BRM4/03 & BRM10/02
A	mm	250	300	540
B	mm	330	380	620
C	mm	64	64	64

9.4.2.5 Braking resistor BRM11/01 & BRM12/01

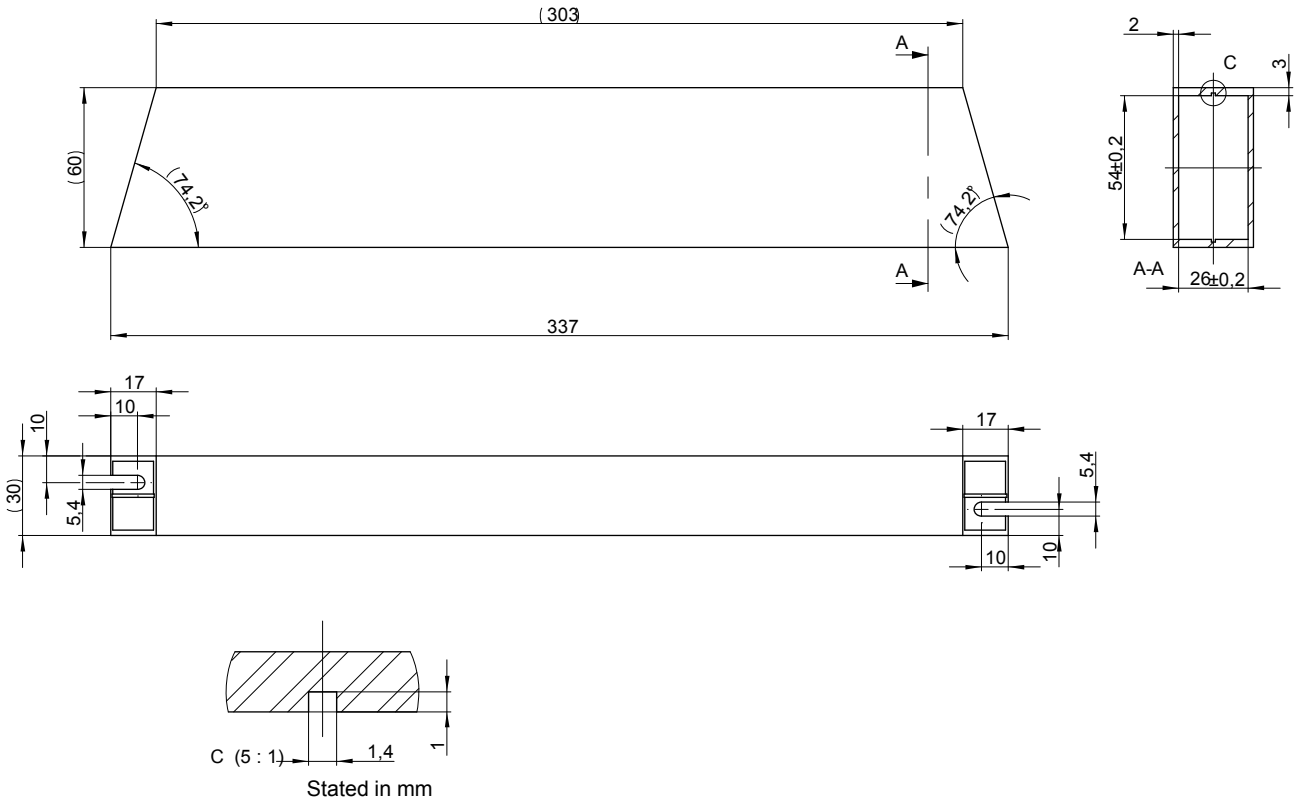
Dimensional drawing:



		BRM11/01	BRM12/02
W	mm	330	
W1	mm	295	
W2	mm	270	
H	mm	260	
Weight	kg	6.0	7.0

9.4.2.6 Ballast resistor BRM13/01 & BRM14/01

Dimensional drawing:



# 9.5 Capacitor module C4

Order code capacitor module

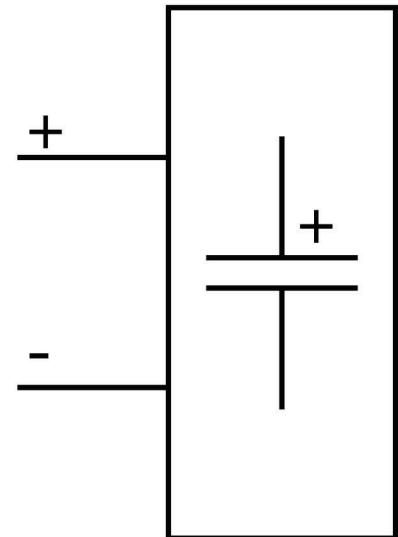
for C3S300V4

1100µF

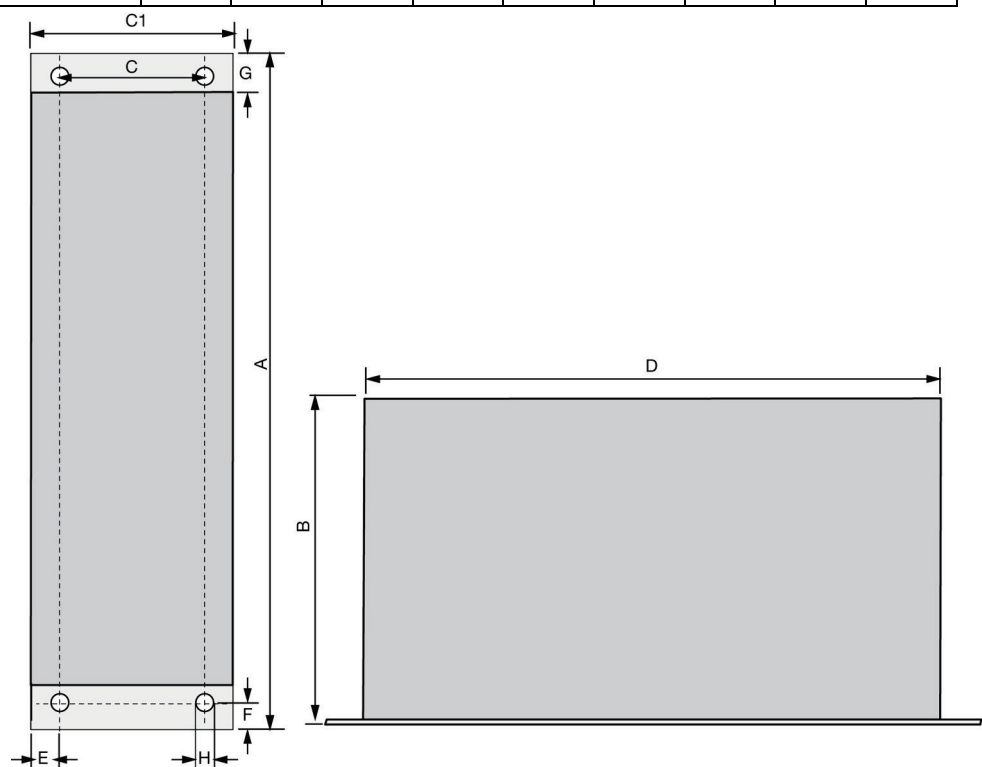
Module	C4

### Technical Data

Type	Capacity	Cable length
Module C4	1100µF	~30 cm



Module C4	A	B	C	C1	D	I	F	G	H
	mm								
	430	190	90	120	370	15	18	30	∅6



## 9.6 Operator control module BDM

### Order Code operating module

			/		
BDM	0	1	/	0	1

Operating module (for Compax3S and Compax3F)

#### Flexible service and maintenance



#### Functions:

- ◆ Mobile or stationary handling: can remain on the unit for display and diagnostic purposes, or can be plugged into any unit.
- ◆ Can be plugged in while in operation
- ◆ Power supply via Compax3 servo control
- ◆ Display with 2 times 16 places.
- ◆ Menu-driven operation using 4 keys.
- ◆ Displays and changing of values.
- ◆ Display of Compax3 messages.
- ◆ Duplication of device properties and IEC61131-3 program to another Compax3 with identical hardware.
- ◆ Additional information can be found in the BDM manual This can be found on the Compax3 CD or on our Homepage: **BDM-manual** ([http://divapps.parker.com/divapps/EME/EME/Literature\\_List/dokumentation/BDM.pdf](http://divapps.parker.com/divapps/EME/EME/Literature_List/dokumentation/BDM.pdf)).

## 9.7 EAM06: terminal block for inputs and outputs

### Order Code terminal block

			/		
EAM	0	6	/	0	1
EAM	0	6	/	0	2

for I/Os without luminous indicator

for X11, X12, X22

for I/Os with luminous indicator

for X12, X22

The terminal block EAM06/.. can be used to route the Compax3 plug connector X11 or X12 for further wiring to a terminal strip and to a Sub-D plug connector.

Via a supporting rail (Design: or ) the terminal unit can be attached to a mounting rail in the switch cabinet.

EAM06/ is available in 2 variants:

- ◆ EAM06/01: Terminal block for X11, X12, X22 without luminous indicator
  - ◆ EAM06/02: Terminal block for X12, X22 with luminous indicator
- Corresponding connecting cables EAM06 - Compax3 are available:
- ◆ from X11 - EAM06/01: SSK23/..
  - ◆ from X12, X22 - EAM06/xx: SSK24/..

**EAM6/01: Terminal block without luminous indicator for X11, X12 or X22**

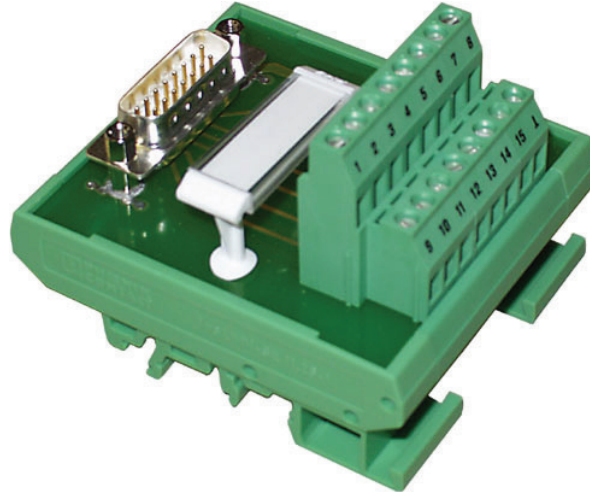


Figure similar

Width: 67.5mm

**EAM6/02: Terminal block with luminous indicator for X12, X22**

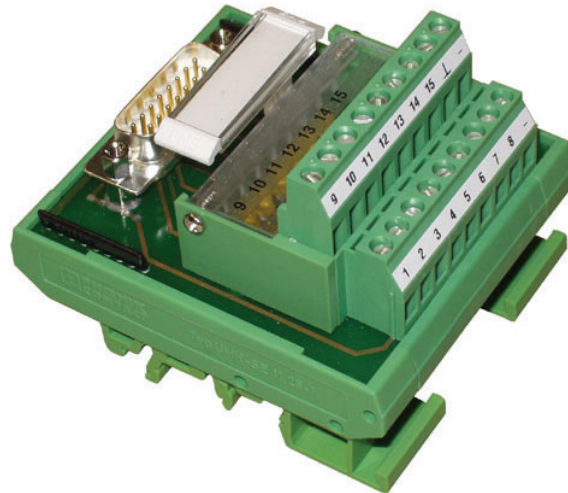
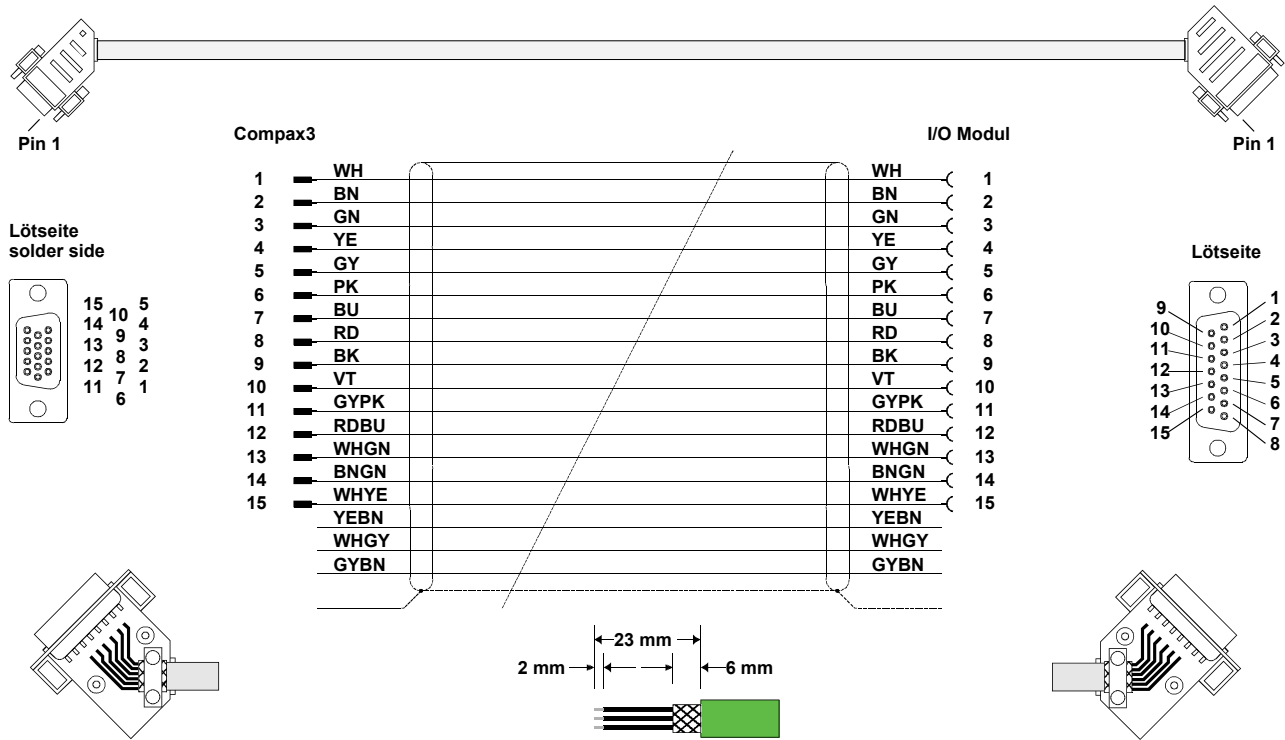


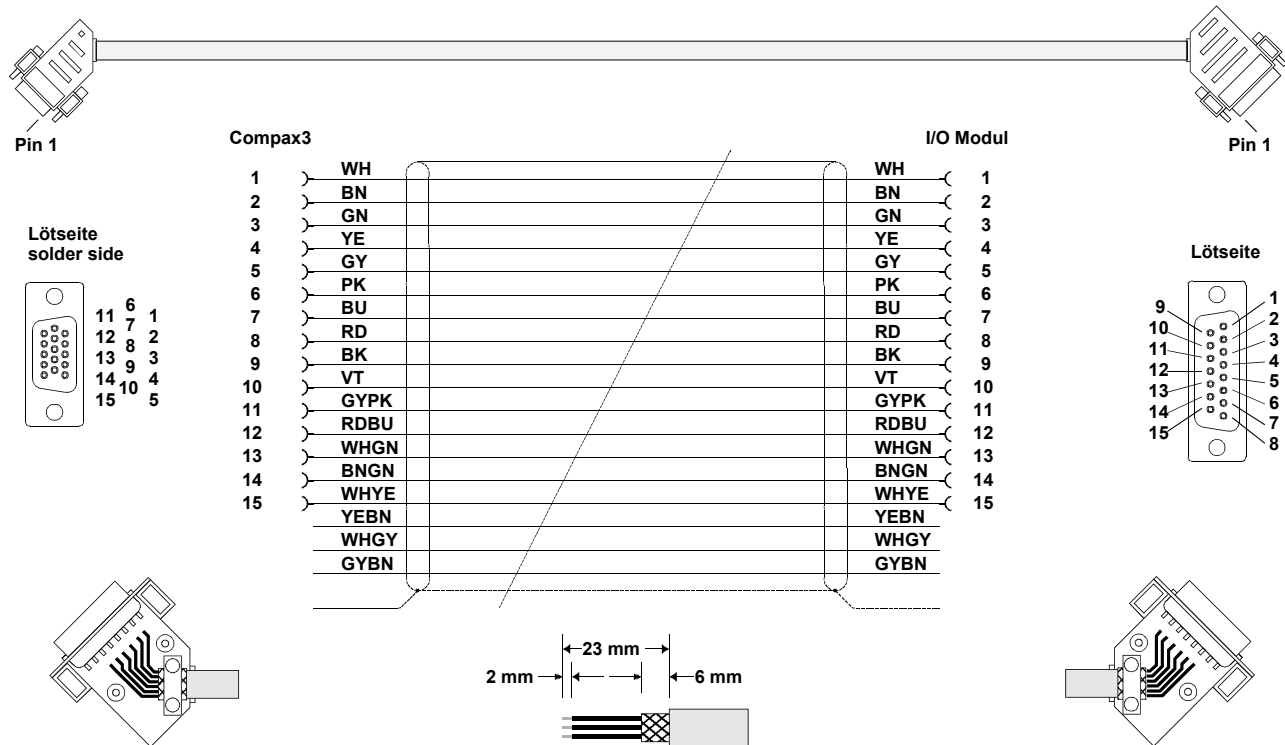
Figure similar

Width: 67.5mm

**Cable plan SSK23/...: X11 to EAM 06/01**



**Cable plan SSK24/...: X12 to EAM 06/xx**



## 9.8 Interface cable

**In this chapter you can read about:**

RS232 - cable / SSK1 .....	195
RS485 cable to Pop / SSK27 .....	196
I/O-interface X12 / X22 / SSK22 .....	197
Ref X11 / SSK21 .....	197
Encoder coupling of 2 Compax3 axes / SSK29 .....	198
Modem cable SSK31 .....	199
Adapter cable SSK32/20 .....	199

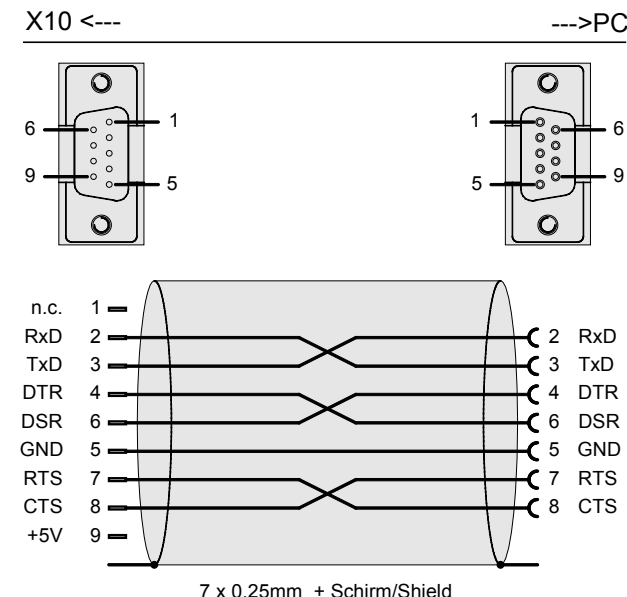
**Order code for interface cables and connectors**

PC – Compax3 (RS232)	SSK	0	1	/	... .. <sup>(1)</sup>
PC – PSUP (USB)	SSK	3	3	/	... ..
on X11 (Ref/Analog) and X13 with C3F001D2	SSK	2	1	/	... .. <sup>(1)</sup>
on X12 / X22 (digital I/Os)	SSK	2	2	/	... .. <sup>(1)</sup>
on X11 (Ref /Analog)	SSK	2	3	/	... .. <sup>(1)</sup>
on X12 / X22 (digital I/Os)	SSK	2	4	/	... .. <sup>(1)</sup>
PC ⇔ POP (RS232)	SSK	2	5	/	... .. <sup>(1)</sup>
Compax3 ⇔ POP (RS485) for several C3H on request	SSK	2	7	/	.. / ... <sup>(6)</sup>
Compax3 HEDA ⇔ Compax3 HEDA or PC ⇔ C3powerPLmC					
Compax3 I30 ⇔ Compax3 I30 or C3M-multi-axis communication	SSK	2	8	/	.. / ... <sup>(5)</sup>
Profinet, EtherCAT, Ethernet Powerlink					
Compax3 X11 ⇔ Compax3 X11 (encoder coupling of 2 axes)	SSK	2	9	/	... .. <sup>(1)</sup>
Compax3 X10 ⇔ Modem	SSK	3	1	/	... ..
Compax3H adapter cable ⇔ SSK01 (length 15cm, delivered with the device)	SSK	3	2	/	2 0
Compax3H X10 RS232 connection control ⇔ Programming interface (delivered with the device)	VBK	1	7	/	0 1
Bus terminal connector (for the 1st and last Compax3 in the HEDA Bus/or multi-axis system)	BUS	0	7	/	0 1
Profibus cable <sup>(2)</sup>	SSL	0	1		... .. <sup>(7)</sup>
Profibus connector	BUS	0	8	/	0 1
CAN bus cable <sup>(2)</sup>	SSL	0	2		... .. <sup>(7)</sup>
CAN bus connector	BUS	1	0	/	0 1

<sup>(x)</sup> **Note on cable** (see on page 161)

### 9.8.1. RS232 - cable / SSK1

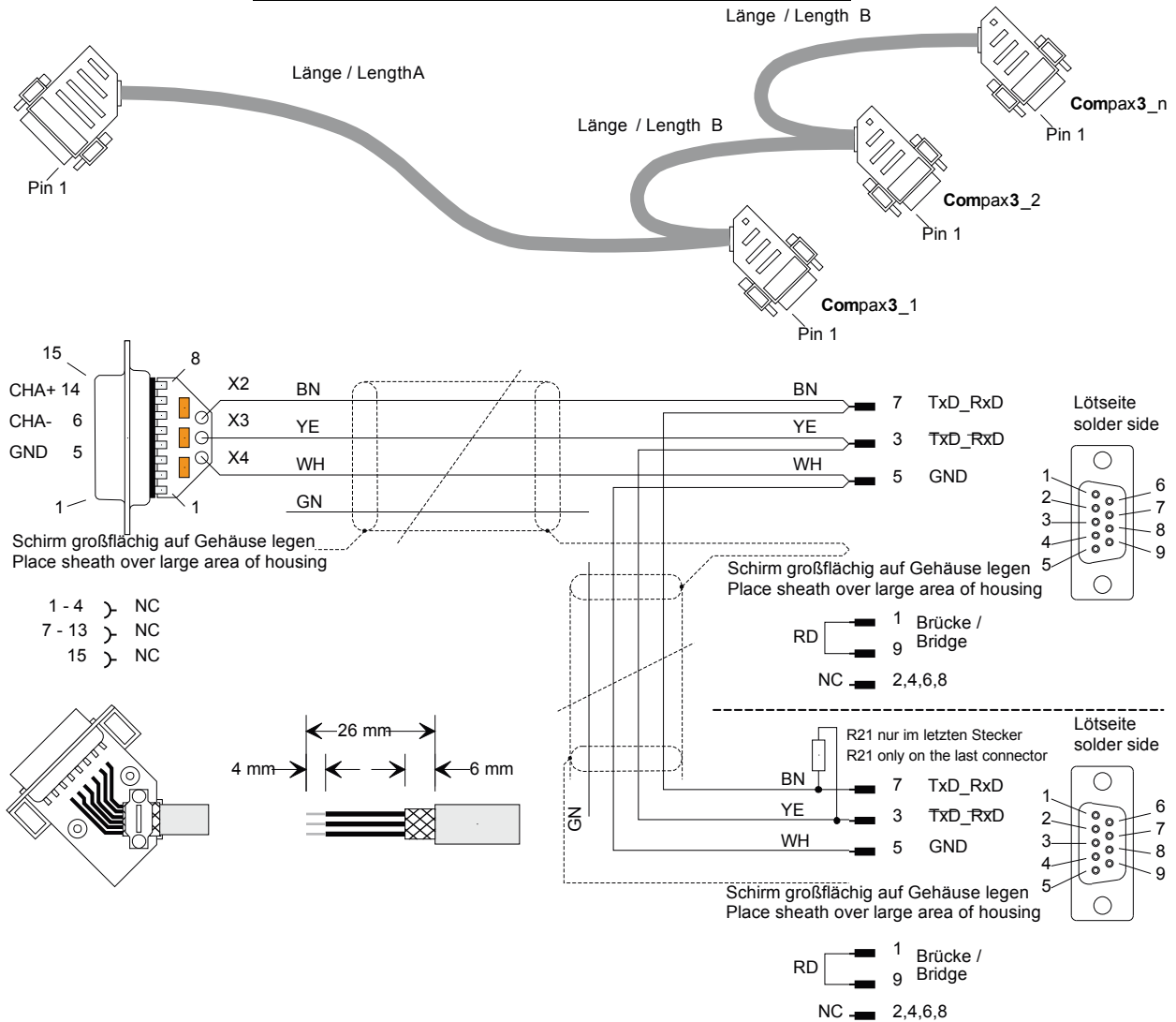
**SSK1/..**



You will find the length code in the **accessories order code** (see on page 157).

### 9.8.2. RS485 cable to Pop / SSK27

#### SSK27: Connection Pop - Compax3 - Compax3 - ...



R21 = 220 Ohm

<sup>(6)</sup> **Order code: SSK27/nn/..**

Length A (Pop - 1. Compax3) variable (the last two numbers according to the length code for cable, for example SSK27/nn/01)

Length B (1. Compax3 - 2. Compax3 - ... - n. Compax3) fixed 50 cm (only if there is more than 1 Compax3, i.e. nn greater than 01)

Number n (the last two digits)

**Examples include:**

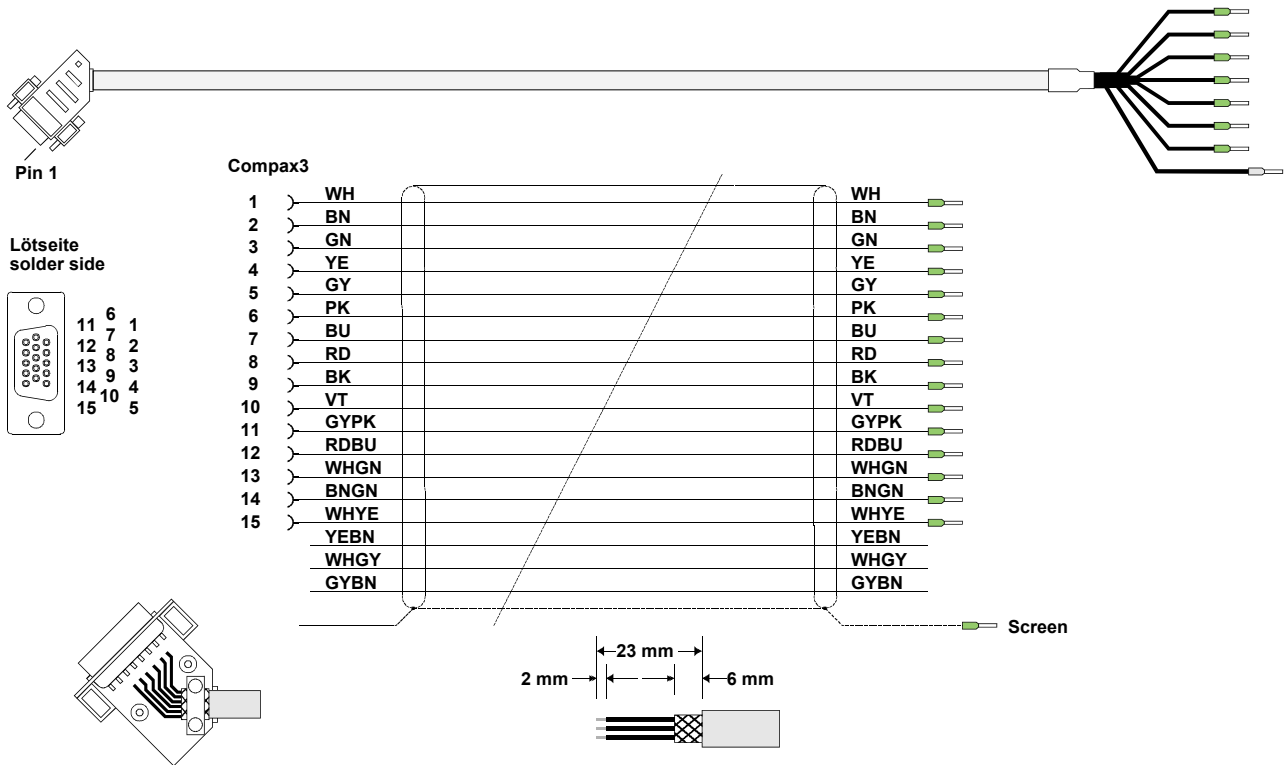
SSK27/05/.. for connecting from Pop to 5 Compax3.

SSK27/01/.. for connecting from Pop to one Compax3



### 9.8.3. I/O-interface X12 / X22 / SSK22

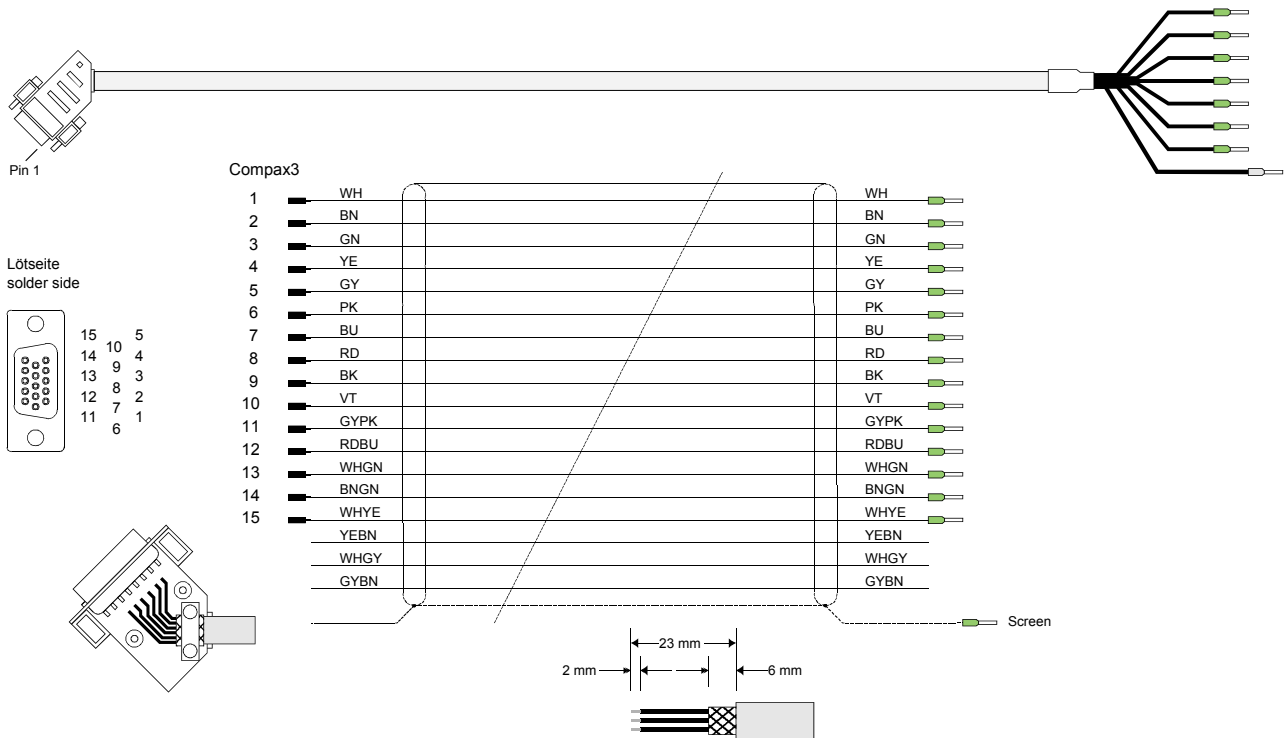
#### SSK22/...: Cable for X12 / X22 with flying leads



You will find the length code in the **accessories order code** (see on page 157).

### 9.8.4. Ref X11 / SSK21

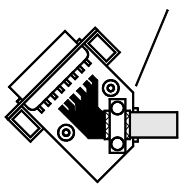
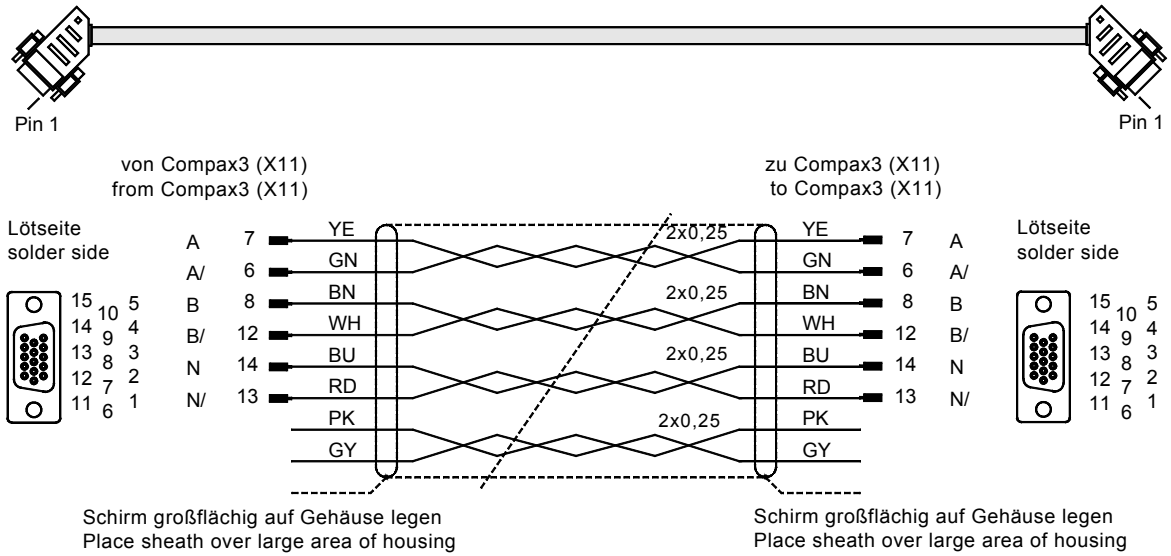
#### SSK21/...: Cable for X11 with flying leads



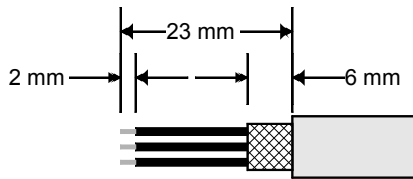
You will find the length code in the **accessories order code** (see on page 157).

### 9.8.5. Encoder coupling of 2 Compax3 axes / SSK29

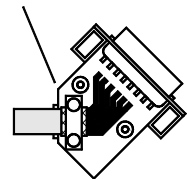
#### SSK29/...: Cable from Compax3 X11 to Compax3 X11



- 1 NC
- 2 NC
- 3 NC
- 4 NC
- 5 NC
- 9 NC
- 10 NC
- 11 NC
- 15 NC



- NC 1
- NC 2
- NC 3
- NC 4
- NC 5
- NC 9
- NC 10
- NC 11
- NC 15

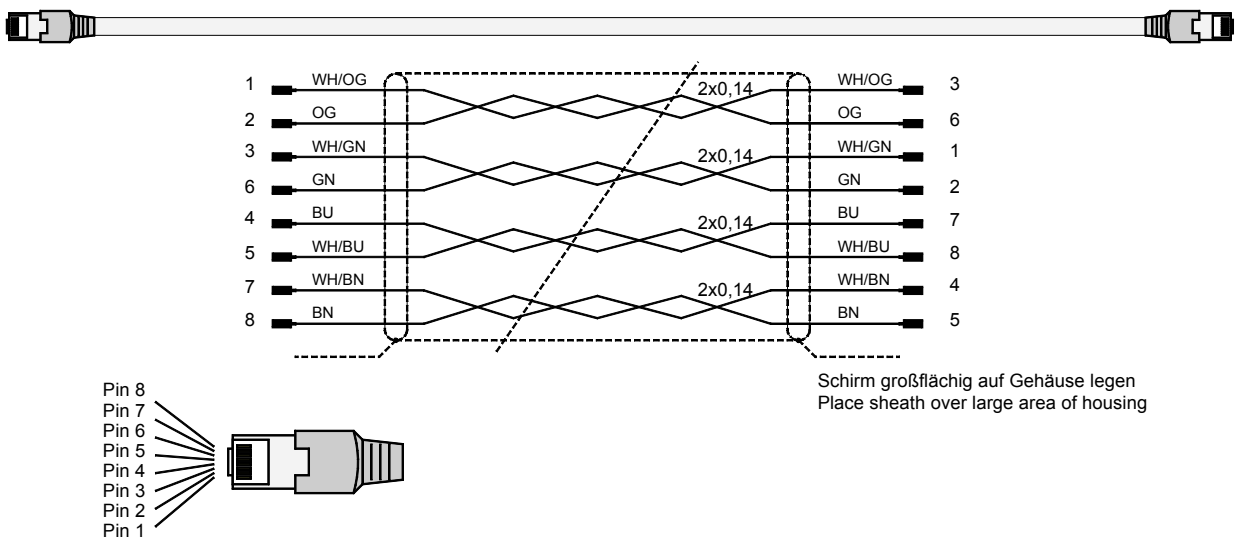


You will find the length code in the **accessories order code** (see on page 157).

**Compax3 HEDA ⇔ Compax3 HEDA or PC ⇔ C3powerPLmC**  
**Compax3 I30 ⇔ Compax3 I30 or C3M-multi axis communication**

**Profinet, EtherCAT, Ethernet Powerlink**

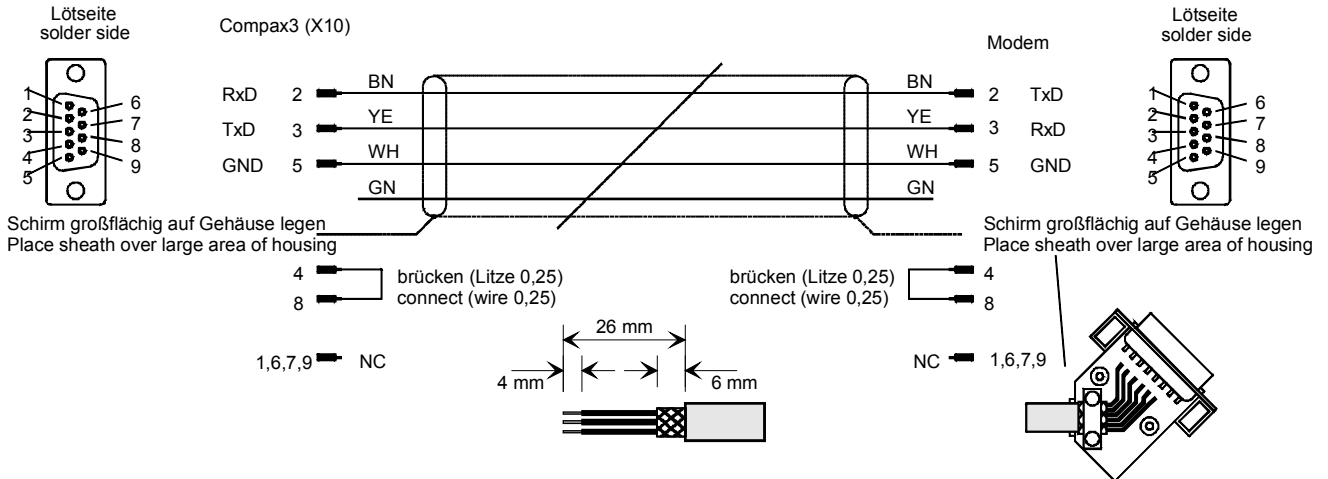
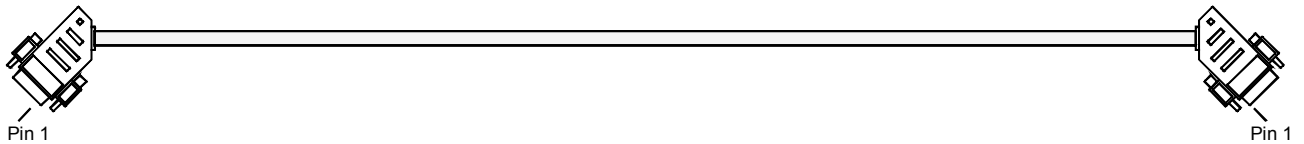
Layout of SSK28:



- Pin 8
- Pin 7
- Pin 6
- Pin 5
- Pin 4
- Pin 3
- Pin 2
- Pin 1

### 9.8.6. Modem cable SSK31

SSK31/..



You can find the length code in the **Order Code Accessories** (see on page 157)

### 9.8.7. Adapter cable SSK32/20

# 10. Technical Data

## Mains connection Compax3S0xxV2 1AC

Controller type	S025V2	S063V2
Continuous working voltage	Single phase 230VAC/240VAC 80-253VAC / 50-60Hz	
Receiver current consumption	6Arms	13Arms
Maximum fuse rating per device	10 A (automatic circuit breaker K)	16A (automatic circuit breaker K)

## Mains connection Compax3S1xxV2 3AC

Controller type	S100V2	S150V2
Supply voltage	Three phase 3* 230VAC/240VAC 80-253VAC / 50-60Hz	
Input current	10Arms	13Arms
Maximum fuse rating per device	16A	20A
MCB miniature circuit breaker, K characteristic		

## Mains connection Compax3SxxxV4 3AC

Controller type	S015V4	S038V4	S075V4	S150V4	S300V4
Continuous working voltage	Three phase 3*400VAC/480VAC 80-528VAC / 50-60Hz				
Receiver current consumption	3Aeff	6Arms	10Arms	16Arms	22Arms
Maximum fuse rating per device	6A	10A	16A	20A	25A
MCB miniature circuit breaker, K characteristic					D*

## Mains connection PSUP10D6

Device type PSUP10	230V	400V	480V
Supply voltage	230VAC ±10% 50-60Hz	400VAC ±10% 50-60Hz	480VAC ±10% 50-60Hz
Rated voltage	3AC 230V	3AC 400V	3AC 480V
Input current	22Arms	22Arms	18Arms
Output Voltage	325VDC ±10%	565VDC ±10%	680VDC ±10%
Output power	6kW	10 kW	10 kW
Pulse power (<5s)	12kW	20kW	20kW
Heat dissipation	60W	60W	60W
Maximum fuse rating per device	Measure for line and device protection: MCB miniature circuit breaker (K characteristic) 25A in accordance with UL category DIVQ Recommendation: (ABB) S203UP-K25 (480VAC)		

**Mains connection PSUP20D6**

Device type PSUP20	230V	400V	480V
Supply voltage	230VAC ±10% 50-60Hz	400VAC ±10% 50-60Hz	480VAC ±10% 50-60Hz
Rated voltage	3AC 230V	3AC 400V	3AC 480V
Input current	44Arms	44Arms	35Arms
Output Voltage	325VDC ±10%	565VDC ±10%	680VDC ±10%
Output power	12kW	20kW	20kW
Pulse power (<5s)	24kW	40kW	40kW
Heat dissipation	120W	120W	120W
Maximum fuse rating per device 2 special purpose fuses in line are required	<b>Cable protection measure:</b> MCB (K characteristic) with a rating of 50A / 4xxVAC (depending on the input voltage) Recommendation: (ABB) S203U-K50 (440VAC) <b>Device protection measure:</b> Circuit breakers 80A / 700VAC per supply leg in accordance with UL category JFHR2 Requirement: Bussmann 170M1366 or 170M1566D		

**PSUP30D6 Mains connection**

Device type PSUP30	230V	400V	480V
Supply voltage	230VAC ±10% 50-60Hz	400VAC ±10% 50-60Hz	480VAC ±10% 50-60Hz
Rated voltage	3AC 230V	3AC 400V	3AC 480V
Input current	50Arms	50Arms	42Arms
Output Voltage	325VDC ±10%	565VDC ±10%	680VDC ±10%
Output power	17kW	30kW	30kW
Pulse power (<5s)	34kW	60kW	60kW
Heat dissipation	140W	140W	140W
Maximum fuse rating per device 2 special purpose fuses in line are required	<b>Cable protection measure:</b> MCB (K characteristic) with a rating of 63A / 4xxVAC (depending on the input voltage) Recommendation: (ABB) S203U-K63 (440VAC) <b>Device protection measure:</b> Circuit breakers 125A / 700VAC per supply leg in accordance with UL category JFHR2 Requirement: Bussmann 170M1368 or 170M1568D		

**Mains connection Compax3HxxxV4 3\*400VAC**

Device type Compax3	H050V4	H090V4	H125V4	H155V4
Continuous working voltage	Three-phase 3*400VAC 350-528VAC / 50-60Hz			
Receiver current consumption	66Arms	95Arms	143Arms	164Arms
Output current	50Arms	90Arms	125Arms	155Arms
Maximum input fuse rating per device	80A	100A	160A	200A
Recommended line protection in accordance with UL	JDDZ Class K5 or H JDRX Class H			

**Mains connection Compax3HxxxV4 3\*480VAC**

Device type Compax3	H050V4	H090V4	H125V4	H155V4
Continuous working voltage	Three-phase 3*480VAC 350-528VAC / 50-60Hz			
Receiver current consumption	54Arms	82Arms	118Arms	140Arms
Output current	43Arms	85Arms	110Arms	132Arms
Maximum input fuse rating per device	80A	100A	160A	200A
Recommended line protection in accordance with UL	JDDZ Class K5 or H JDRX Class H			

**Control voltage 24VDC Compax3S and Compax3H**

Controller type	Compax3
Voltage range	21 - 27VDC
Current drain of the device	0.8 A
Total current drain	0.8 A + Total load of the digital outputs + current for the motor holding brake
Ripple	0.5Vpp
Requirement according to safe extra low voltage (SELV)	yes
Short-circuit proof	conditional (internally protected with 3.15AT)

**Control voltage 24 VDC PSUP**

Device type	PSUP
Voltage range	21 - 27VDC
Ripple	0.5Vpp
Requirement according to safe extra low voltage (SELV)	yes (class 2 mains module)
Current drain PSUP	PSUP10: 0.2A PSUP20 / PSUP30: 0.3A
Electric current drain Compax3M	C3M050D6: 0.85 3M100D6: 0.85A C3M150D6: 0.85A C3M300D6: 1.0 A + Total load of the digital outputs + current for the motor holding brake

**Output data Compax3S0xx at 1\*230VAC/240VAC**

Controller type	S025V2	S063V2
Output voltage	3x 0-240V	3x 0-240V
Nominal output current	2.5Arms	6.3Arms
Pulse current for 5s	5.5Arms	12.6Arms
Power	1kVA	2.5kVA
Switching frequency	16kHz	16kHz
Power loss for In	30W	60W

**Output data Compax3S1xx at 3\*230VAC/240VAC**

Controller type	S100V2	S150V2
Output voltage	3x 0-240V	3x 0-240V
Nominal output current	10Arms	15Arms
Pulse current for 5s	20Arms	30Arms
Power	4kVA	6kVA
Switching frequency	16kHz	8kHz
Power loss for In	80W	130W

**Output data Compax3Sxxx at 3\*400VAC**

Controller type	S015V4	S038V4	S075V4	S150V4	S300V4
Output voltage	3x 0-400V				
Nominal output current	1.5Arms	3.8Arms	7.5Arms	15Arms	30Arms
Pulse current for 5s	4.5Arms	9.0Arms	15Arms	30Arms	60Arms*
Power	1kVA	2.5kVA	5kVA	10kVA	20kVA
Switching frequency	16kHz	16kHz	16kHz	8kHz	8kHz
Power loss for In	60W	80W	120W	160W	350W

\* With cyclic peak currents (S8 or S9 operation), the device utilization (683.2) may not be > 70%; otherwise it is necessary to use a condenser module "**C4Module**" (see on page 191)".

**Output data Compax3Sxxx at 3\*480VAC**

Controller type	S015V4	S038V4	S075V4	S150V4	S300V4
Output voltage	3x 0-480V				
Nominal output current	1.5Arms	3.8Arms	6.5Arms	13.9Arms	30Arms
Pulse current for 5s	4.5Arms	7.5Arms	15Arms	30Arms	60Arms*
Power	1.25kVA	3.1kVA	6.2kVA	11.5kVA	25kVA
Switching frequency	16kHz	16kHz	16kHz	8kHz	8kHz
Power loss for In	60W	80W	120W	160W	350W

\* With cyclic peak currents (S8 or S9 operation), the device utilization (683.2) may not be > 70%; otherwise it is necessary to use a condenser module "**C4Module**" (see on page 191)".

**Output data Compax3Mxxx at 3\*230VAC**

Device type Compax3	M050D6	M100D6	M150D6	M300D6
Input Voltage	325VDC ±10%			
Output Voltage	3x 0-230V (0...500Hz)			
Output nominal current	5Arms	10Arms	15Arms	30Arms
Pulse current for 5s*	10Arms	20Arms	30Arms	60Arms
Power	2kVA	4kVA	6kVA	12kVA
Switching frequency of the motor current	8kHz	8kHz	8kHz	8kHz
Heat dissipation for In	70W+**	90W+**	120W+**	270W+**

\* Turning frequency for pulse current:  $f > 5$  Hz; with an electrical turning frequency of  $f < 5$  Hz, the maximum pulse current time is 100ms

\*\* Maximum additional losses with option card 5 W.

**Output data Compax3Mxxx at 3\*400VAC**

Device type Compax3	M050D6	M100D6	M150D6	M300D6
Input Voltage	565VDC ±10%			
Output Voltage	3x 0-400V (0...500Hz)			
Output nominal current	5Arms	10Arms	15Arms	30Arms
Pulse current for 5s*	10Arms	20Arms	30Arms	60Arms
Power	3.33kVA	6.66kVA	10kVA	20kVA
Switching frequency of the motor current	8kHz	8kHz	8kHz	8kHz
Heat dissipation for In	70W+**	90W+**	120W+**	270W+**

\* Turning frequency for pulse current: f>5 Hz; with an electrical turning frequency of f<5 Hz, the maximum pulse current time is 100ms

\*\* Maximum additional losses with option card 5 W.

**Output data Compax3Mxxx at 3\*480VAC**

Device type Compax3	M050D6	M100D6	M150D6	M300D6
Input Voltage	680VDC ±10%			
Output Voltage	3x 0-480V (0...500Hz)			
Output nominal current	4Arms	8Arms	12.5Arms	25Arms
Pulse current for 5s*	8Arms	16Arms	25Arms	50Arms
Power	3.33kVA	6.66kVA	10kVA	20kVA
Switching frequency of the motor current	8kHz	8kHz	8kHz	8kHz
Heat dissipation for In	70W+**	90W+**	120W+**	270W+**

\* Turning frequency for pulse current: f>5 Hz; with an electrical turning frequency of f<5 Hz, the maximum pulse current time is 100ms

\*\* Maximum additional losses with option card 5 W.

**Output data Compax3Hxxx at 3\*400VAC**

Controller type	H050V4	H090V4	H125V4	H155V4
Output voltage	3x 0-400V			
Nominal output current	50Arms	90Arms	125Arms	155Arms
Pulse current for 5s *	75Arms	135Arms	187.5Arms	232.5Arms
Power	35kVA	62kVA	86kVA	107kVA
Switching frequency	8kHz	8kHz	8kHz	8kHz
Power loss for In	880W	900W	1690W	1970W

\* during low speeds, the overload time is reduced to 1s. Limit:

< 2.5 electric rev/s (= actual revolutions/s \* number of pole pairs) resp. >2.5 pitch/s

**Output data Compax3Hxxx at 3\*480VAC**

Controller type	H050V4	H090V4	H125V4	H155V4
Output voltage	3x 0-480V			
Nominal output current	43Arms	85Arms	110Arms	132Arms
Pulse current for 5s*	64.5Arms	127.5Arms	165Arms	198Arms
Power	35kVA	70kVA	91kVA	109kVA
Switching frequency	8kHz	8kHz	8kHz	8kHz
Power loss for In	850W	1103W	1520W	1800W

\* during low speeds, the overload time is reduced to 1s. Limit:

< 2.5 electric rev/s (= actual revolutions/s \* number of pole pairs) resp. >2.5 pitch/s



### Resulting nominal and peak currents depending on the switching frequency

#### Compax3S0xxV2 at 1\*230VAC/240VAC

Switching frequency*		S025V2	S063V2
16kHz	$I_{nom}$	2.5A <sub>rms</sub>	6.3A <sub>rms</sub>
	$I_{peak} (<5s)$	5.5A <sub>rms</sub>	12.6A <sub>rms</sub>
32kHz	$I_{nom}$	2.5A <sub>rms</sub>	5.5A <sub>rms</sub>
	$I_{peak} (<5s)$	5.5A <sub>rms</sub>	12.6A <sub>rms</sub>

#### Compax3S1xxV2 at 3\*230VAC/240VAC

Switching frequency*		S100V2	S150V2
8kHz	$I_{nom}$	-	15A <sub>rms</sub>
	$I_{peak} (<5s)$	-	30A <sub>rms</sub>
16kHz	$I_{nom}$	10A <sub>rms</sub>	12.5A <sub>rms</sub>
	$I_{peak} (<5s)$	20A <sub>rms</sub>	25A <sub>rms</sub>
32kHz	$I_{nom}$	8A <sub>rms</sub>	10A <sub>rms</sub>
	$I_{peak} (<5s)$	16A <sub>rms</sub>	20A <sub>rms</sub>

#### Compax3S0xxV4 at 3\*400VAC

Switching frequency*		S015V4	S038V4	S075V4	S150V4	S300V4
8kHz	$I_{nom}$	-	-	-	15A <sub>rms</sub>	30A <sub>rms</sub>
	$I_{peak} (<5s)$	-	-	-	30A <sub>rms</sub>	60A <sub>rms</sub>
16kHz	$I_{nom}$	1.5A <sub>rms</sub>	3.8A <sub>rms</sub>	7.5A <sub>rms</sub>	10.0A <sub>rms</sub>	26A <sub>rms</sub>
	$I_{peak} (<5s)$	4.5A <sub>rms</sub>	9.0A <sub>rms</sub>	15.0A <sub>rms</sub>	20.0A <sub>rms</sub>	52A <sub>rms</sub>
32kHz	$I_{nom}$	1.5A <sub>rms</sub>	2.5A <sub>rms</sub>	3.7A <sub>rms</sub>	5.0A <sub>rms</sub>	14A <sub>rms</sub>
	$I_{peak} (<5s)$	3.0A <sub>rms</sub>	5.0A <sub>rms</sub>	10.0A <sub>rms</sub>	10.0A <sub>rms</sub>	28A <sub>rms</sub>

#### Compax3S0xxV4 at 3\*480VAC

Switching frequency*		S015V4	S038V4	S075V4	S150V4	S300V4
8kHz	$I_{nom}$	-	-	-	13.9A <sub>rms</sub>	30A <sub>rms</sub>
	$I_{peak} (<5s)$	-	-	-	30A <sub>rms</sub>	60A <sub>rms</sub>
16kHz	$I_{nom}$	1.5A <sub>rms</sub>	3.8A <sub>rms</sub>	6.5A <sub>rms</sub>	8.0A <sub>rms</sub>	21.5A <sub>rms</sub>
	$I_{peak} (<5s)$	4.5A <sub>rms</sub>	7.5A <sub>rms</sub>	15.0A <sub>rms</sub>	16.0A <sub>rms</sub>	43A <sub>rms</sub>
32kHz	$I_{nom}$	1.0A <sub>rms</sub>	2.0A <sub>rms</sub>	2.7A <sub>rms</sub>	3.5A <sub>rms</sub>	10A <sub>rms</sub>
	$I_{peak} (<5s)$	2.0A <sub>rms</sub>	4.0A <sub>rms</sub>	8.0A <sub>rms</sub>	7.0A <sub>rms</sub>	20A <sub>rms</sub>

The values marked with grey are the pre-set values (standard values)!

\*corresponds to the frequency of the motor current

**Resulting nominal and peak currents depending on the switching frequency**

**Compax3MxxxD6 at 3\*400VAC**

Switching frequency*		M050D6	M100D6	M150D6	M300D6
8kHz	$I_{nom}$	5A <sub>rms</sub>	10A <sub>rms</sub>	15A <sub>rms</sub>	30A <sub>rms</sub>
	$I_{peak} (<5s)$	10A <sub>rms</sub>	20A <sub>rms</sub>	30A <sub>rms</sub>	60A <sub>rms</sub>
16kHz	$I_{nom}$	3.8A <sub>rms</sub>	7.5A <sub>rms</sub>	10A <sub>rms</sub>	20A <sub>rms</sub>
	$I_{peak} (<5s)$	7.5A <sub>rms</sub>	15A <sub>rms</sub>	20A <sub>rms</sub>	40A <sub>rms</sub>
32kHz	$I_{nom}$	2.5A <sub>rms</sub>	3.8A <sub>rms</sub>	5A <sub>rms</sub>	11A <sub>rms</sub>
	$I_{peak} (<5s)$	5A <sub>rms</sub>	7.5A <sub>rms</sub>	10A <sub>rms</sub>	22A <sub>rms</sub>

**Compax3MxxxD6 at 3\*480VAC**

Switching frequency*		M050D6	M100D6	M150D6	M300D6
8kHz	$I_{nom}$	4A <sub>rms</sub>	8A <sub>rms</sub>	12.5A <sub>rms</sub>	25A <sub>rms</sub>
	$I_{peak} (<5s)$	8A <sub>rms</sub>	16A <sub>rms</sub>	25A <sub>rms</sub>	50A <sub>rms</sub>
16kHz	$I_{nom}$	3A <sub>rms</sub>	5.5A <sub>rms</sub>	8A <sub>rms</sub>	15A <sub>rms</sub>
	$I_{peak} (<5s)$	6A <sub>rms</sub>	11A <sub>rms</sub>	16A <sub>rms</sub>	30A <sub>rms</sub>
32kHz	$I_{nom}$	2A <sub>rms</sub>	2.5A <sub>rms</sub>	4A <sub>rms</sub>	8.5A <sub>rms</sub>
	$I_{peak} (<5s)$	4A <sub>rms</sub>	5A <sub>rms</sub>	8A <sub>rms</sub>	17A <sub>rms</sub>

The values marked with grey are the pre-set values (standard values)!  
 \*corresponds to the frequency of the motor current

**Resulting nominal and peak currents depending on the switching frequency**

**Compax3HxxxV4 at 3\*400VAC**

Switching frequency*		H050V4	H090V4	H125V4	H155V4
8kHz	$I_{nom}$	50A <sub>rms</sub>	90A <sub>rms</sub>	125A <sub>rms</sub>	155A <sub>rms</sub>
	$I_{peak} (<5s)$	75A <sub>rms</sub>	135A <sub>rms</sub>	187.5A <sub>rms</sub>	232.5A <sub>rms</sub>
16kHz	$I_{nom}$	33A <sub>rms</sub>	75A <sub>rms</sub>	82A <sub>rms</sub>	100A <sub>rms</sub>
	$I_{peak} (<5s)$	49.5A <sub>rms</sub>	112.5A <sub>rms</sub>	123A <sub>rms</sub>	150A <sub>rms</sub>
32kHz	$I_{nom}$	19A <sub>rms</sub>	45A <sub>rms</sub>	49A <sub>rms</sub>	59A <sub>rms</sub>
	$I_{peak} (<5s)$	28.5A <sub>rms</sub>	67.5A <sub>rms</sub>	73.5A <sub>rms</sub>	88.5A <sub>rms</sub>

**Compax3HxxxV4 at 3\*480VAC**

Switching frequency*		H050V4	H090V4	H125V4	H155V4
8kHz	$I_{nom}$	43A <sub>rms</sub>	85A <sub>rms</sub>	110A <sub>rms</sub>	132A <sub>rms</sub>
	$I_{peak} (<5s)$	64.5A <sub>rms</sub>	127.5A <sub>rms</sub>	165A <sub>rms</sub>	198A <sub>rms</sub>
16kHz	$I_{nom}$	27A <sub>rms</sub>	70A <sub>rms</sub>	70A <sub>rms</sub>	84A <sub>rms</sub>
	$I_{peak} (<5s)$	40.5A <sub>rms</sub>	105A <sub>rms</sub>	105A <sub>rms</sub>	126A <sub>rms</sub>

32kHz	$I_{nom}$	16A <sub>rms</sub>	40A <sub>rms</sub>	40A <sub>rms</sub>	48A <sub>rms</sub>
	$I_{peak} (<5s)$	24A <sub>rms</sub>	60A <sub>rms</sub>	60A <sub>rms</sub>	72A <sub>rms</sub>

The values marked with grey are the pre-set values (standard values)!  
\*corresponds to the frequency of the motor current

### Resolution of the motor position

<b>For option F10: Resolver</b>	<ul style="list-style-type: none"> <li>◆ Position resolution: 16 Bits (= 0.005°)</li> <li>◆ Absolute accuracy: ±0.167°</li> </ul>
<b>For option F11: SinCos®</b>	<ul style="list-style-type: none"> <li>◆ Position resolution: 13.5 Bits / Encoder sine period =&gt; 0.03107°/encoder resolution</li> </ul>
<b>For option F12:</b>	<ul style="list-style-type: none"> <li>◆ Maximum position resolution <ul style="list-style-type: none"> <li>◆ Linear: 24 Bits per motor magnet spacing</li> <li>◆ Rotary: 24 Bits per motor revolution</li> </ul> </li> <li>◆ For 1Vss Sine-Cosine encoders (e.g. EnDat): 13.5 bits / graduation of the scale of the encoder</li> <li>◆ For RS 422 encoders: 4x encoder resolution</li> <li>◆ Accuracy of the feedback zero pulse acquisition = accuracy of the feedback resolution.</li> <li>◆ Resolution for analog hall sensors with 1Vpp signal: 13.5 Bits / motor magnet spacing</li> </ul>

### Accuracy

The exactitude of the position signal is above all determined by the exactitude of the feedback system used.

### Supported Motor and Feedback Systems

<b>Motors</b> <b>Direct drives</b> <ul style="list-style-type: none"> <li>◆ Linear motors</li> <li>◆ Torque motors</li> </ul>	<ul style="list-style-type: none"> <li>◆ Sinusoidally commutated synchronous motors <ul style="list-style-type: none"> <li>◆ Maximum electrical turning frequency: 1000Hz*</li> <li>◆ Max. velocity on 8 pole motors: 15 000min<sup>-1</sup>.</li> <li>◆ General max. speed: 60*1000/number of pole pairs in [min<sup>-1</sup>].</li> <li>◆ Max. number of poles = 600</li> </ul> </li> <li>◆ Sinusoidal commutated asynchronous motors <ul style="list-style-type: none"> <li>◆ Maximum electrical turning frequency: 1000Hz</li> <li>◆ Max. velocity: 60*1000/number of pole pairs - slip in [min<sup>-1</sup>].</li> <li>◆ Field weakening: typically up to triple (higher on request).</li> </ul> </li> <li>◆ Temperature sensor: KTY84-130 (insulated in accordance with EN60664-1 or IEC60664-1)</li> <li>◆ 3 phase synchronous direct drives</li> </ul>
<b>Position encoder (Feedback)</b>	<b>Option F10: Resolver</b>
LTN:	◆ RE-21-1-A05, RE-15-1-B04
Tamagawa:	◆ TS2610N171E64, TS2620N21E11, TS2640N321E64, TS2660N31E64
Tyco (AMP)	◆ V23401-T2009-B202
	<b>Option F11: SinCos®</b>
	<ul style="list-style-type: none"> <li>◆ Rotary feedback with HIPERFACE® interface: <ul style="list-style-type: none"> <li>◆ Singleturn (SICK Stegmann)</li> <li>◆ Multiturn (SICK Stegmann) Absolute position up to 4096 motor revolutions.</li> <li>◆ For example: SRS50, SRM50, SKS36, SKM36, SEK52, SEL52, SEL37, SEK37, SEK160, SEK90</li> </ul> </li> </ul>

\* higher values on request

Special Feedback Systems	Option F12
Analog hall sensors	<ul style="list-style-type: none"> <li>◆ Sine-Cosine signal (max. 5Vpp*; typical 1Vpp) 90° offset</li> <li>◆ U-V signal (max. 5Vpp*; typical 1Vpp) 120° offset.</li> </ul>
Encoder (linear or rotary)	<ul style="list-style-type: none"> <li>◆ Sine-Cosine (max. 5Vpp*; typical 1Vpp) (max. 400kHz) or</li> <li>◆ TTL (RS422) (max. 5MHz; track A or B)</li> <li>◆ Bypass function for encoder signals (limit frequency** 5MHz, track A or B) with the following modes of commutation:                             <ul style="list-style-type: none"> <li>◆ <b>Automatic commutation</b> (see on page 163) or</li> <li>◆ U, V, W or R, S, T commutation signals (NPN open collector) e.g. digital hall sensors, incremental encoders made by Hengstler (F series with electrical ordering variant 6)</li> </ul> </li> </ul>
EnDat*** with incremental (Sine - Cosine) track	<ul style="list-style-type: none"> <li>◆ EnDat 2.1 or EnDat 2.2 (Endat01, Endat02) feedback</li> <li>◆ linear or rotary</li> <li>◆ max. 400kHz Sine-Cosine</li> </ul>
EnDat 2.2*** (fully digital)	<ul style="list-style-type: none"> <li>◆ EnDat 2.2 (Endat01, Endat02) feedback</li> <li>◆ linear or rotary</li> <li>◆ max. Cable length: 25 m</li> </ul>
EnDat2.1***(fully digital)	<ul style="list-style-type: none"> <li>◆ EnDat 2.1 without incremental track</li> <li>◆ Supported types: EQI11xx, ECI11xx, ECI11x</li> <li>◆ max. Cable length: 90 m</li> </ul>
Distance coded feedback systems	<ul style="list-style-type: none"> <li>◆ Distance coding with 1 VSS interface</li> <li>◆ Distance coding with RS422 - Interface (Encoder)</li> </ul>

\*Max. differential input between SIN- (X13/7) and SIN+ (X13/8).

\*\* Limit frequency = 1MHz for Compax3M (higher bandwidths on request)

\*\*\* Digital, bidirectional interface

### Feedback error compensation

Feedback error compensation	<ul style="list-style-type: none"> <li>◆ Automatic feedback error compensation (offset &amp; amplification) for analog hall sensors and sine-cosine encoder can be activated in the MotorManager.</li> </ul>
-----------------------------	--

### Motor holding brake output

Motor holding brake output	Compax3
Voltage range	21 – 27VDC
Maximum output current (short circuit proof)	1.6A
Securing of brake Compax3M	3.15A

### Braking operation Compax3S0xxV2 1AC

Controller type	S025V2	S063V2
Capacitance / storable energy	560µF / 15Ws	1120µF / 30Ws
Minimum braking- resistance	100Ω	56Ω
Recommended nominal power rating	20 ... 60W	60 ... 180W
Maximum continuous current	8A	15A

### Braking operation Compax3S1xxV2 3AC

Controller type	S100V2	S150V2
Capacitance / storable energy	780µF / 21Ws	1170µF / 31Ws
Minimum braking- resistance	22Ω	15Ω
Recommended nominal power rating	60 ... 450W	60 ... 600W
Maximum continuous current	20A	20A

**Braking operation Compax3SxxxV4 3AC**

Controller type	S015V4	S038V4	S075V4	S150V4	S300V4
Capacity / storable energy 400V / 480V	235 $\mu$ F 37 / 21 Ws	235 $\mu$ F 37 / 21 Ws	470 $\mu$ F 75 / 42 Ws	690 $\mu$ F 110 / 61 Ws	1230 $\mu$ F 176 / 98 Ws
Minimum ballast - resistance	100 $\Omega$	100 $\Omega$	56 $\Omega$	47 $\Omega$	15 $\Omega$
Recommended nominal power rating	60 ... 100W	60 ... 250W	60 ... 500 W	60 ... 1000 W	60 ... 1000 W
Maximum continuous current	10A	10A	15A	20A	30A

**Braking operation Compax3MxxxD6 (axis controller)**

Device type Compax3	M050	M100	M150	M300
Capacity/ storable energy	110 $\mu$ F/ 18Ws at 400V 10Ws at 480V	220 $\mu$ F/ 37Ws at 400V 21Ws at 480V	220 $\mu$ F/ 37Ws at 400V 21Ws at 480V	440 $\mu$ F/ 74Ws at 400V 42Ws at 480V

**Braking operation of Compax3HxxxV4**

Controller type	H050V4	H090V4	H125V4	H155V4
Capacitance / storable energy 400V / 480V	2600 $\mu$ F 602 / 419 Ws	3150 $\mu$ F 729 / 507 Ws	5000 $\mu$ F 1158 / 806 Ws	5000 $\mu$ F 1158 / 806 Ws
Minimum braking- resistance	24 $\Omega$	15 $\Omega$	8 $\Omega$	8 $\Omega$
Maximum continuous current	11 A	17 A	31 A	31 A

**Braking operation PSUPxxD6 (mains module)**

Device type	PSUP10	PSUP20	PSUP30
Capacitance / storable energy	550 $\mu$ F/ 92 Ws at 400 V 53 Ws at 480 V	1175 $\mu$ F/ 197 Ws at 400 V 114 Ws at 480 V	1175 $\mu$ F/ 197 Ws at 400 V 114 Ws at 480 V
Minimum braking- resistance	27 $\Omega$	15 $\Omega$	10 $\Omega$
Recommended nominal power rating	500 ... 1500 W	500 ... 3500 W	500 ... 5000 W
Pulse power rating for 1s	22 kW	40 kW	60 kW
Maximum permissible continuous current	13 A	15 A	15 A

**Ballast resistors Compax3**

Ballast resistor (see on page 178)	Device	Nominal Power
<b>BRM08/01 (100 Ω)</b>	Compax3S025V2 Compax3S015V4 Compax3S038V4	60 W
<b>BRM05/01 (56 Ω)</b>	Compax3S063V2 Compax3S075V4	180 W
<b>BRM05/02 (56 Ω)</b>	Compax3S075V4	570 W
<b>BRM10/01 (47 Ω)</b>	Compax3S150V4	570 W
<b>BRM10/02 (47 Ω)</b>	Compax3S150V4	1500 kW
<b>BRM04/01 (15 Ω)</b>	Compax3S150V2 Compax3S300V4 PSUP20D6	570 W
<b>BRM04/02 (15 Ω)</b>	Compax3S150V2 Compax3S300V4 PSUP20D6	740 W
<b>BRM04/03 (15 Ω)</b>	Compax3S300V4 PSUP20D6	1500 W
<b>BRM09/01 (22 Ω)</b>	Compax3S100V2	570 W
<b>BRM11/01 (27 Ω)</b>	Compax3H0xxV4	3500 W
<b>BRM13/01 (30 Ω)</b>	PSUP10D6 PSUP20D6** PSUP30D6**	500 W
<b>BRM14/01 (15 Ω)</b>	PSUP10D6* PSUP20D6 PSUP30D6	500 W
<b>BRM12/01 (18 Ω)</b>	Compax3H1xxV4 PSUP30D6	4500 W

\*for PSUP10D6 2x15Ω in series

\*\*for PSUP20D6 and PSUP30D6 2x30Ω parallel

**Size / weight Compax3S**

Controller type	Dimensions HxWxD [mm]	Weight [kg]
<b>Compax3S025V2</b>	191 x 84 x 172	2.0
<b>Compax3S063V2</b>	191 x 100 x 172	2.5
<b>Compax3S015V4</b>	248 x 84 x 172	3.1
<b>Compax3S100V2</b>	248 x 115 x 172	4.3
<b>Compax3S150V2</b>	248 x 158 x 172	6.8
<b>Compax3S038V4</b>	248 x 100 x 172	3.5
<b>Compax3S075V4</b>	248 x 115 x 172	4.3
<b>Compax3S150V4</b>	248 x 158 x 172	6.8
<b>Compax3S300V4</b>	380 x 175 x 172	10.9

**Minimum mounting distance: 15mm at the sides, above & below 100mm**

**Protection type IP20**

Drawings, Mounting (see on page 66, see on page 72)

**Size / weight PSUP/Compax3M**

Device type	Dimensions HxWxD [mm]	Weight [kg]
PSUP10D6	360 x 50 x 263	3.95
PSUP20D6 & PSUP30D6	360 x 100 x 263	6.3
Compax3M050D6	360 x 50 x 263	3.5
Compax3M100D6	360 x 50 x 263	3.6
Compax3M150D6	360 x 50 x 263	3.6
Compax3M300D6	360 x 100 x 263	5.25

**Protection type IP20****Size / weight Compax3H**

Mounting (see on page 66, see on page 72)

Controller type	Dimensions HxWxD [mm]	Weight [kg]
Compax3H050V4	453 x 252 x 245	17.4
Compax3H090V4	668.6 x 257 x 312	32.5
Compax3H125V4	720 x 257 x 355	41
Compax3H155V4	720 x 257 x 355	41

Protection class IP20 when mounted in a control cabinet (not for Compax3H1xxxV4)

**Digital Inputs/outputs**

<b>Digital Inputs</b>	<ul style="list-style-type: none"> <li>◆ 8 digital inputs</li> <li>◆ Input resistor 22 kΩ</li> <li>◆ Signal level               <ul style="list-style-type: none"> <li>◆ &gt; 9.15V = "1" (38.2% of the control voltage applied)</li> <li>◆ &lt; 8.05V = "0" (33.5% of the control voltage applied)</li> </ul> </li> </ul>
<b>Digital Outputs</b>	<ul style="list-style-type: none"> <li>◆ 4 digital outputs</li> <li>◆ Load max. 100mA</li> </ul>

**Safety technology Compax3S**

<b>Safe torque-off in accordance with EN ISO 13849: 2008, Category 3, PL d/e Certified.</b> <b>Test mark IFA 1003004</b>	<ul style="list-style-type: none"> <li>◆ For implementation of the "protection against unexpected start-up" function described in EN1037.</li> <li>◆ Please note the <b>circuitry examples</b> (see on page 75).</li> </ul>
---	---

**Compax3S STO (=safe torque off)**

<b>Nominal voltage of the inputs</b>	24 V
<b>Required isolation of the 24V control voltage</b>	Grounded protective extra low voltage, PELV
<b>Protection of the STO control voltage</b>	1 A
<b>Grouping of safety level</b>	<p>&lt;500 000 STO cycles per year are assumed.</p> <ul style="list-style-type: none"> <li>◆ <b>STO switch-off via internal safety relay &amp; digital input:</b> PL e, PFHd=2.98E-8</li> <li>◆ <b>STO switch-off via internal safety relay &amp; fieldbus:</b> PL d, PFHd=1.51E-7 (is applicable for a MTTFd=15 years of the external PLC)</li> <li>◆ Lifetime: 20 Years</li> </ul>

**Safety technology Compax3M**

Safe torque-off in accordance with EN ISO 13849-1: 2007, Category 3, PL=e Certified. Test mark MFS 09029	◆ Please respect the stated safety technology on the <b>type designation plate</b> (see on page 11) and the <b>circuitry examples</b> (see on page 85)
---	--

**Compax3M S1 Option: Signal inputs for connector X14**

Nominal voltage of the inputs	24V
Required isolation of the 24V control voltage	Grounded protective extra low voltage, PELV
Protection of the STO control voltage	1A
Number of inputs Signal inputs via optocoupler	2 Low = 0...7V DC or open High = 15...30V DC I <sub>in</sub> at 24V DC: 8mA
STO1/	Low = STO activated High = STO deactivated Reaction time max. 3ms
STO2/	Low = STO activated High = STO deactivated Reaction time max. 3ms
Switch-off time with unequal input statuses	20 s (max. error reaction time)
Grouping of safety level	◆ Category 3 ◆ PL=e (according to table 4 in EN ISO 13849-1 this corresponds to SIL 3) ◆ PFHd=4.29E-8 ◆ Lifetime: 20 years

**UL certification for Compax3S**

conform to UL:	◆ according to UL508C
Certified	◆ E-File_No.: E235342

The UL certification is documented by a "UL" logo on the device (type specification plate).



**UL approval for Compax3M**

Conform to UL:	◆ in accordance with UL508C
Certified	◆ E-File_No.: E235342

The UL approval is documented by a "UL" logo on the device (type specification plate).



**Insulation requirements**

Enclosure rating	Protection class in accordance with EN 60664-1
Protection against human contact with dangerous voltages	In accordance with EN 61800-5-1
Overvoltage category	Voltage category III in accordance with EN 60664-1
Degree of contamination	Degree of contamination 2 in accordance with EN 60664-1 and EN 61800-5-1



### Environmental conditions Compax3S and Compax3H

<b>General ambient conditions</b>	In accordance with <b>EN 60 721-3-1 to 3-3</b> Climate (temperature/humidity/barometric pressure): Class 3K3	
<b>Permissible ambient temperature:</b>		
Operation storage transport	0 to +45 °C      class 3K3 -25 to +70 °C    class 2K3 -25 to +70 °C    class 2K3	
<b>Tolerated humidity:</b>	no condensation	
Operation storage transport	<= 85% class 3K3 <= 95% class 2K3 <= 95% class 2K3	(Relative humidity)
<b>Elevation of operating site</b>	<=1000m above sea level for 100% load ratings <=2000m above sea level for 1% / 100m power reduction please inquire for greater elevations	
<b>Mechanic resonances:</b>	EN 60068-2-6 (sinusoidal excitation)	
<b>Sealing</b>	Protection type IP20 in accordance with EN 60 529	

### Cooling Compax3S and Compax3H

<b>Cooling mode:</b>	C3S025V2 ... S150V4: Convection C3S300V4 & C3H: Forced air ventilation with fan in the heat dissipator <b>Air flow rate:</b> 459m <sup>3</sup> /h (C3H)
<b>Supply:</b>	C3S300V4, C3H050, C3H090 internal C3H125, C3H155 external 220/240VAC: 140W, 2.5µF, Stator - 62Ω Optionally on request: 110/120VAC: 130W, 10µF, Stator - 16Ω <b>Circuit breaker:</b> 3A

### EMC limit values Compax3S and Compax3H

<b>EMC interference emission</b>	Limit values in accordance with EN 61 800-3, Limit value class C3/C4 without additional mains filter: <b>Information on C2 limit value classes</b> (see on page 16)
<b>EMC disturbance immunity</b>	Industrial area limit values in accordance with EN 61 800-3

**Ambient conditions PSUP/Compax3M**

<b>General ambient conditions</b>	In accordance with <b>EN 60 721-3-1 to 3-3</b> Climate (temperature/humidity/barometric pressure): Class 3K3	
<b>Permissible ambient temperature:</b>		
Operation storage transport	0 to +40 °C      Class 3K3 -25 to +70 °C -25 to +70 °C	
<b>Tolerated humidity:</b>	no condensation	
Operation storage transport	<= 85% class 3K3 <= 95% <= 95%	(Relative humidity)
<b>Elevation of operating site</b>	<=1000m above sea level for 100% load ratings <=2000m above sea level for 1% / 100m power reduction please inquire for greater elevations	
<b>Sealing</b>	Protection type IP20 in accordance with EN 60 529	
<b>Mechanic resonances:</b>	Class 2M3, 20m/s <sup>2</sup> ;8-200Hz	

**Cooling PSUP/Compax3M**

<b>Cooling mode:</b>	Forced air ventilation with fan in the heat dissipator
----------------------	--

**EMV limit values PSUP/Compax3M**

<b>EMC interference emission</b>	Limit values in accordance with EN 61 800-3, Limit value class C3 with mains filter.
<b>EMC disturbance immunity</b>	Industrial area limit values in accordance with EN 61 800-3

**EC directives and applied harmonized EC norms**

<b>EC low voltage directive 2006/95/EG</b>	<b>EN 61800-5-1</b> , Standard for electric power drives with settable speed; requirements to electric safety <b>EN 60664-1</b> , isolation coordinates for electrical equipment in low-voltage systems <b>EN 60204-1, machinery norm</b> partly applied
<b>EC-EMC-directive 2004/108/EC</b>	<b>EN 61800-3, EMC standard</b> Product standard for variable speed drives

**COM ports**

<b>RS232</b>	<ul style="list-style-type: none"> <li>◆ 115200 baud</li> <li>◆ Word length: 8 bits, 1 start bit, 1 stop bit</li> <li>◆ Hardware handshake XON, XOFF</li> </ul>
<b>RS485 (2 or 4-wire)</b>	<ul style="list-style-type: none"> <li>◆ 9600, 19200, 38400, 57600 or 115200 baud</li> <li>◆ Word length 7/8 bit, 1 start bit, 1 stop bit</li> <li>◆ Parity (can be switched off) even/odd</li> <li>◆ 2 or 4-wire</li> </ul>
<b>USB (Compax3M)</b>	◆ USB 2.0 Full Speed compatible

**Inputs / Outputs**

<b>Command interface (optional)</b>	<ul style="list-style-type: none"> <li>◆ ±10V analog speed or current setpoint; 14Bits; 62.5µs sampling rate</li> <li>◆ Step/Direction RS422 (5V level)</li> <li>◆ Encoder A/B RS422</li> <li>◆ Step/Direction (24V level)</li> <li>◆ Encoder A/B 24V</li> <li>◆ Maximum input frequency <ul style="list-style-type: none"> <li>◆ 24V inputs: Maximum input frequency 300kHz at ≤50Ω source impedance and minimum pulse width of 1.6µs</li> <li>◆ Inputs RS422: up to 5MHz</li> </ul> </li> </ul>
<b>Actual position at ±10V defined analog setpoint</b>	<ul style="list-style-type: none"> <li>◆ Encoder simulation</li> <li>◆ Resolution: 512 or 1024 Increments / revolutions</li> </ul>
<b>Signal monitor</b>	<ul style="list-style-type: none"> <li>◆ 2 channels ±10 V analog</li> <li>◆ Resolution: 8 Bit</li> </ul>
<b>4/5 digital inputs (24V level)</b>	<ul style="list-style-type: none"> <li>◆ Energize motor, setpoint value release, quit, brake open.</li> <li>◆ Keep position / speed 0 (configurable) (only in the "±10V analog current setpoint" operating mode")</li> </ul>
<b>4 digital outputs</b>	<ul style="list-style-type: none"> <li>◆ Error, setpoint value in window, power output stage de-energized, holding.</li> <li>◆ Load max. 100mA</li> </ul>

# 11. Index

## ±

- ±10V analog current setpoint commanding and encoder emulation • 103
- ±10V analoge Drehzahl - Sollwertvorgabe • 127
- ±10V analoger Strom-Sollwertvorgabe • 127
- ±10V analogue speed setpoint commanding and encoder emulation • 100

## A

- Access to the hazardous area • 84
- Adapterkabel SSK32/20 • 199
- Additional conditions of utilization • 18
- Adjusting the basic address • 59
- Advanced control parameters • 126
- Advantages of using the • 76
- Alignment of the analog inputs • 133
- Allgemeine Gefahren • 13
- Analog command interface +/-10V with encoder simulation • 109
- Analog Inputs/Outputs • 62, 153
- Analogue / encoder (plug X11) • 62
- Applikationsbeispiel STO (= Sicher abgeschaltetes Moment) • 81
- ASCII - record • 145

## B

- Ballast resistor • 34, 99, 208
- Ballast resistor BRM13/01 & BRM14/01 • 190
- Ballastwiderstand / Leistungsspannung Stecker X2 bei 1AC 230VAC/240VAC-Geräten • 34
- Bedeutung der Status-LEDs - PSUP (Netzmodul) • 27
- Bestellhinweis Kabel • 161
- Bestellschlüssel Ein-/Ausgangsklemmen (PIO) • 160
- Bestellschlüssel Feedbackkabel • 158
- Bestellschlüssel Kondensatormodul • 159
- Bestellschlüssel Netzfilter (C3S) • 159
- Bestellschlüssel Zubehör • 157
- Binary record • 146
- Boundary conditions • 121
- Brake delay times • 135
- Braking resistor / high voltage DC C3S connector X2 • 34
- Braking resistor / high voltage supply connector X2 for 3AC 400VAC/480VAC\_C3S devices • 36
- Braking resistor / high voltage supply plug X2 for 3AC 230VAC/240VAC devices • 34
- Braking resistor / supply voltage C3H • 56
- Braking resistor / temperature switch PSUP (mains module) • 45
- Braking resistor BRM11/01 & BRM12/01 • 190

- Braking resistor BRM4/0x and BRM10/02 • 189
- Braking resistor BRM5/02, BRM9/01 & BRM10/01 • 189
- BRM10/02 • 178, 182, 189
- BRM5/01 braking resistor • 188
- BRM8/01braking resistors • 188

## C

- C3 settings for RS485 four wire operation • 144
- C3 settings for RS485 two wire operation • 143
- Calculation of the BRM cooling time • 179
- Calling up the input simulation • 132
- Capacitors • 12
- Circuit layout overview • 81
- Circuit: • 82
- COM port protocol • 145
- Command interface • 100
- Command value release X12/7= • 65
- Communication • 136
- Communication Compax3M • 58
- Communication interfaces • 57
- Compax3 communication variants • 136
- Compax3 device description • 26
- Compax3 with analogue and step/direction input • 24
- Compax3H connections front plate • 51
- Compax3H plugs/connections • 49
- Compax3M STO application description • 88
- Compax3S connectors • 28
- Compax3Sxxx V2 • 33
- Compax3Sxxx V4 • 35
- Conditions of utilization • 16
- Conditions of utilization for cables / motor filter • 17
- Conditions of utilization for CE-conform operation • 16
- Conditions of utilization for the STO function with Compax3M • 86
- Conditions of utilization for UL approval Compax3M • 20
- Conditions of utilization mains filter • 16
- Conditions of utilization STO (=safe torque off) Safety function • 80
- Configuration name / comments • 107
- Configuration of local modem 1 • 151
- Configuration of remote modem 2 • 152
- Connect braking resistor C3H • 56
- Connection of a braking resistor • 34, 36
- Connection of terminal box MH145 & MH205 • 176
- Connection of the digital Outputs/Inputs • 63
- Connection of the power voltage • 50
- Connection of the power voltage of 2 C3H 3AC devices • 56
- Connection of the power voltage of 2 C3S 3AC devices • 36

Connections of Compax3H • 49  
 Connections of Compax3S • 28  
 Connections of the axis combination • 41  
 Connections of the encoder interface • 62  
 Connections on the device bottom • 40  
 Connections to the motor • 173  
 Control voltage 24 VDC • 31  
 Control voltage 24 VDC C3H • 55  
 Control voltage 24VDC / enable connector X4 C3S • 31  
 Control voltage 24VDC PSUP (mains module) • 42  
 Controller settings • 127  
 Controller structures • 126  
 Controller Tuning • 124  
 Current (Torque) Limit • 106

**D**

D/A-Monitor • 153  
 Debouncing input I0 • 106  
 Devices with the STO (=safe torque off) safety function • 77  
 Digital inputs/outputs • 63  
 Digitale Ein-/Ausgänge (Stecker X12) • 63  
 Dimensions of the braking resistors • 188  
 Direktantriebe • 162

**E**

E/A-Schnittstelle X12 / X22 / SSK22 • 197  
 EAM06  
   Klemmenblock für Ein- und Ausgänge • 192  
 Eingangssimulation • 132  
 Einleitung • 9  
 Einsatzbedingungen für die UL-Zulassung Compax3H • 22  
 Einsatzbedingungen für die UL-Zulassung Compax3S • 19  
 Einsatzbedingungen für die UL-Zulassung PSUP • 21  
 EMC measures • 165  
 Emergency stop and protective door monitoring without external safety switching device. • 90  
 Encoder cable • 177  
 Encoder input 24V • 103, 110  
 Encoder input RS422 • 102, 109  
 Encoder Interface • 62  
 Encoderkopplung von 2 Compax3 - Achsen / SSK29 • 198  
 EnDat - Kabel • 175  
 Energize motor X12/6= • 64  
 Error response • 106  
 ETHERNET-RS485 NetCOM 113 adapter • 141  
 Example  
   Setting the Oscilloscope • 119  
 External braking resistors • 178

**F**

Fehler • 154  
 Ferrite • 32  
 Filter - Actual velocity • 126

Filter rising of current (Para) • 131  
 Forward control measures • 129  
 Front connector • 39

**G**

Gain alignment • 134  
 Gebersysteme für Direktantriebe • 163  
 General Description • 75  
 General drive • 99  
 Gerätezuordnung • 9  
 Gerätezustände • 111

**I**

Important terms and explanations • 75  
 Inbetriebnahme Compax3 • 94  
 Installation instructions Compax3M • 37  
 Intended use • 76  
 Interface cable • 195  
 Interface cable order code • 160

**K**

Kommunikation im Achsverbund (Stecker X30, X31) • 58  
 Kondensatormodul ModulC4 • 191  
 Konfiguration • 94

**L**

Lastidentifikation • 121  
 LEDs • 26, 27  
 Level • 63  
 Limit and monitoring settings • 105  
 Linear motors • 164  
 Logic proximity switch types • 64

**M**

Main voltage supply C3S connector X1 • 33  
 Mains connection Compax3H • 55  
 Mains filter • 165  
 Mains filter for NFI01/03 • 167  
 Mains filter for PSUP30 • 172  
 Mains filter NFI01/01 • 166  
 Mains filter NFI01/02 • 166  
 Mains filter NFI02/0x • 167  
 Mains filter NFI03/01& NFI03/03 • 168  
 Mains filter NFI03/02 • 169  
 Mains supply PSUP (mains module) X41 • 42  
 Maximum operating speed • 106  
 Meaning of the status LEDs - Compax3 axis controller • 26  
 Measurement of the motor temperature of Compax3M (axis controller) • 48  
 Modem cable SSK31 • 199  
 Modem MB-Connectline MDH 500 / MDH 504 • 142  
 Monitor information • 114  
 Motor / Motor brake C3S connector X3 • 32  
 Motor / motor brake Compax3M (axis controller) • 47  
 Motor / Motorbremse C3H • 54  
 Motor cable • 176  
 Motor Connection • 32

Motor holding brake • 32  
 Motor output filter • 170  
 Motor output filter MDR01/01 • 170  
 Motor output filter MDR01/02 • 171  
 Motor output filter MDR01/04 • 170  
 Motor selection • 95  
 Mounting and dimensions • 66  
 Mounting and dimensions C3H • 72  
 Mounting and dimensions Compax3S • 66  
 Mounting and dimensions Compax3S0xxV2 • 66  
 Mounting and dimensions Compax3S100V2 and S0xxV4 • 67  
 Mounting and dimensions Compax3S150V2 and S150V4 • 68  
 Mounting and dimensions Compax3S300V4 • 69  
 Mounting and dimensions PSUP/C3M • 70  
 Mounting and dimensions PSUP10/C3M050D6, C3M100D6, C3M150D6 • 70  
 Mounting and dimensions PSUP20/PSUP30/C3M300D6 • 71  
 Mounting distances, air currents Compax3H050V4 • 73  
 Mounting distances, air currents Compax3H090V4 • 73  
 Mounting distances, air currents Compax3H1xxV4 • 74

## N

Netzdrosseln • 172  
 Nominal value window • 105  
 Note on error switch-off • 81  
 Notes on the STO function • 80

## O

Offset alignment • 134  
 Operating Principle • 132  
 Operator control module BDM • 192  
 Optimierung • 113  
 Optimization window • 113  
 Optimize motor reference point and switching frequency of the motor current • 96  
 Order code • 155  
 Order Code braking resistors • 158  
 Order code device Compax3 • 156  
 Order code for mains module PSUP • 157  
 Oscilloscope operating mode switch: • 116

## P

Parker Servomotoren • 162  
 PC - PSUP (Mains module) • 58  
 PC <-> C3M device combination (USB) • 139  
 PC <-> Compax3 (RS232) • 136  
 PC <-> Compax3 (RS485) • 138  
 Permissible braking pulse power  
   BRM04/01 with C3S150V2 • 184  
   BRM04/01 with C3S300V4 • 185  
   BRM04/02 with C3S150V2 • 185

  BRM04/02 with C3S300V4 • 186  
   BRM04/03 with C3S300V4 • 186  
   BRM05/01 with C3S063V2 • 183  
   BRM05/01 with C3S075V4 • 183  
   BRM05/02 with C3S075V4 • 184  
   BRM08/01 with C3S015V4 / C3S038V4 • 180  
   BRM08/01 with C3S025V2 • 181  
   BRM09/01 with C3S100V2 • 181  
   BRM10/01 with C3S150V4 • 182  
   BRM10/02 with C3S150V4 • 182  
   BRM11/01 with C3H0xxV4 • 187  
   BRM12/01 with C3H1xxV4 • 187  
   BRM13/01 with PSUP10D6 • 188  
   BRM14/01 with PSUP10D6 • 188  
 Permissible braking pulse powers of the braking resistors • 179  
 Plug assignment Compax3S0xx V2 • 31, 32, 33, 34, 57, 60, 62, 63  
 Position controller • 128  
 Power supply • 33  
 Power supply connector X1 for 3AC 400VAC/480VAC-C3S devices • 35  
 Power supply plug X1 for 1 AC 230VAC/240VAC devices • 33  
 Power supply plug X1 for 3AC 230VAC/240VAC devices • 33  
 Power supply voltage DC C3H • 56  
 Principle • 121  
 Process of the automatic determination of the load characteristic value (load identification) • 122  
 PSUP/Compax3M Connections • 39

## R

Recommendations for preparing the modem operation • 152  
 Ref X11 / SSK21 • 197  
 Reglerstruktur Schritt-/Richtungs- oder Encoder - Eingang • 126  
 Remote diagnosis via Modem • 150  
 Resolver • 60  
 Resolver / Feedback (connector X13) • 60  
 Resolver cable • 174  
 Rising of current (Para) • 131  
 Rotary servo motors • 164  
 RS232 - Kabel / SSK1 • 195  
 RS232 / RS485 interface (plug X10) • 57  
 RS232 plug assignment • 57  
 RS485 - Kabel zu Pop / SSK27 • 196  
 RS485 plug assignment • 57  
 RS485 settings values • 145

## S

Safe torque off • 75  
 Safe torque off basic function • 83  
 Safe torque off description • 83  
 Safety function - STO (=safe torque off) • 75  
 Safety instructions • 13  
 Safety notes for the STO function in the Compax3M • 86  
 Safety switching circuits • 85

Safety technology option S3 for Compax3M (axis controller) • 48  
 Safety-conscious working • 13  
 Scope • 114  
 Scope of delivery • 9  
 Selection of the supply voltage used • 95  
 Setpoint control • 104  
 Setting the axis function • 59  
 Setting the time basis XDIV • 116  
 Settings for channels 1..4 • 117  
 Setup mode • 133  
 Signalschnittstellen • 60  
 SinCos© cable • 175  
 Special functions • 118  
 Special safety instructions • 14  
 Status LEDs • 26, 27  
 Status values • 153  
 Stecker- und Pinbelegung C3H • 52  
 Stecker- und Pinbelegung C3S • 29  
 Step/Direction Input 24V • 101, 102  
 Step/Direction Input RS422 • 101, 109  
 STO (= safe torque off) with Compax3m (Option S1) • 85  
 STO (= safe torque off) with Compax3S • 78  
 STO delay times • 79, 87  
 STO function description • 89  
 STO function test • 91  
 STO function with safety switching device via Compax3M inputs • 88  
 STO Principle (= Safe Torque Off) with Compax3S • 78  
 STO Test-Protokoll-Vorschlag (Sicherheitsoption S1) • 92  
 Storage • 12  
 Strom auf dem Netz-PE (Ableitstrom) • 23  
 Structure • 150  
 Supply networks • 23

## T

Technical Characteristics STO Compax3S • 84  
 Technische Daten • 200  
 Technische Daten der Compax3M S1-Option • 93  
 Temperature switch PSUP (mains module) • 46  
 Test commissioning  
 Compax3 S0xx V2 I10 • 108  
 Time frame predefined setpoint value • 101, 104  
 Tips • 123  
 Toroidal core ferrite • 32  
 Torque motors • 164  
 Trigger settings • 118  
 Turning the motor holding brake on and off • 135  
 Type specification plate • 11

## U

Usage in accordance with intended purpose • 13  
 USB - RS232 converter • 57  
 USB-RS485 Adapter Moxa Uport 1130 • 140

User interface • 115

## V

Velocity loop damping • 125  
 Velocity loop stiffness • 125  
 Verpackung, Transport, Lagerung • 12

## W

Warranty conditions • 15  
 Wiring of analog interfaces • 62  
 Wiring of the motor output filter • 171  
 With upper mounting, the housing design may be different • 71

## X

X1 • 33  
 X10 • 57  
 X11 • 62  
 X12 • 63  
 X13 • 60  
 X14 Safety technology option S1 for Compax3M (axis controller) • 48  
 X2 • 34  
 X3 • 32  
 X4 • 31

## Z

Zubehör Compax3 • 162

