

# Intelligent Parker Amplifier

Ethernet Servo Drive/Controller



## IPA: Versatile Motion Capabilities

The new Intelligent Parker Amplifier or IPA, is a 1.5 axis servo drive/controller based on the ACR control platform. Available in two power levels, 400W and 1500W, the IPA can drive a wide range of rotary and linear motors and supports a number of industry standard feedback protocols.

The IPA provides a dual port Ethernet interface which gives the machine builder the flexibility needed to create cost effective motion control solutions. The IPA operates as a fully programmable stand-alone motion controller with on-board I/O and virtual axis capability or can be integrated into a PLC or PC-based machine control solution. Software tools are included to optimize motion performance and efficiently monitor and manage the application.

## Contact Information:

Parker Hannifin Corporation  
**Electronic Motion & Controls Division**  
 5500 Business Park Drive  
 Rohnert Park, CA 94928

**800.358.9068 / 707.584.7558**  
 emn.service@support.parker.com  
 www.parkermotion.com/IPA

## Specifications

Part Number	IPA04-xC	IPA15-xC
<b>Rated Motor Power</b>	400 W	1500 W
<b>Peak Motor Power</b>	1200 W	4500 W
<b>Continuous Current</b>	3	6.3
<b>Peak Current</b>	9	18.9
<b>Motor Input Voltage</b>	100-240 VAC Single Phase or 20-90VDC	
<b>Control Input Voltage</b>	100-240 VAC Single Phase	
<b>Logic Keep Alive</b>	24 VDC (optional)	
<b>Servo Update</b>	62.5 µs	
<b>Digital Inputs</b>	7 programmable inputs, 5-24 VDC (3 high-speed 1us capture, 4 standard)	
<b>Digital Outputs</b>	4 programmable outputs, 5-24 VDC	
<b>Analog Inputs</b>	2 @ 12-bit resolution	
<b>Power Stage Enable</b>	2 redundant inputs for torque disable	
<b>Primary Encoder</b>	Incremental encoder, EnDat 2.2 absolute encoder*, BiSS-C*, 1Vpp SineCosine, DSL* (*HC version required)	
<b>Secondary Encoder Input</b>	Incremental encoder, 1.6 MHz, differential, A, B signals	
<b>Communications</b>	100 Base-T, Dual RJ-45 connectors, Supports TCP/UDP and EtherNet/IP	
<b>Development Software</b>	Parker Motion Manager	
<b>API</b>	Libraries for C++,C#, VB.Net, etc	
<b>Programming Language</b>	AcroBASIC with 1Mb of user memory	
<b>Standards</b>	UL Recognized 508c, CE (LVD), CE (EMC), RoHS EtherNet/IP Conformance Tested	
<b>Environmental</b>	0-45 C , 0-95% Humidity	

Order Code: ① ② ③ ④

IPA 04 - E C

① **Series**

IPA Intelligent Parker Amplifier

② **Maximum Shaft Power**

04 400 Watts  
 15 1500 Watts

③ **Feedback**

E Incremental Encoder, SineCosine  
 H "E" + EnDat Absolute Encoder, Hiperface DSL, BiSS-C

④ **Control**

C Drive/Controller

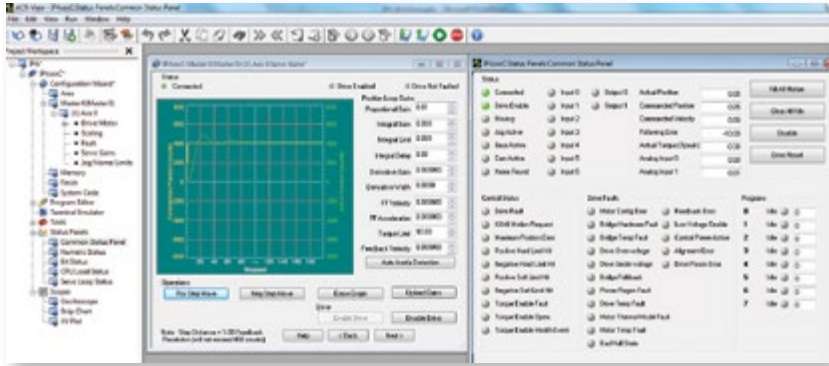


ENGINEERING YOUR SUCCESS.

# IPA Servo Drive/Controller

## Motion

The IPA is built on the proven and powerful AcroBASIC programming language used in the Parker ACR family of motion controllers. Project development is managed with the ACR-View development software that provides the user with the tools to program, commission, tune and debug applications. Motion and machine control features include:



- **Multitasking of up to 16 different tasks**
- **Incremental, absolute and continuous moves**
- **Trapezoidal and S-Curves profiles**
- **High speed (1 ms) position captures**
- **Registration moves**
- **Electronic gearing and camming**

## Visualization

Combined with Parker's Interact Xpress HMI platform the IPA becomes an affordable machine solution. Xpress supports connections to multiple IPA and other PLCs at the same time, with an easy to use development environment and award winning graphics.



### User Interface

Part Number	Description
XTA-007-3R2-33	7" WVGA Display with Interact Xpress pre-installed
XTA-010-3R2-33	10" WXGA Display with Interact Xpress pre-installed
XTA-015-3R2-33	15" FWXGA Display with Interact Xpress pre-installed

## Communications

EtherNet/IP gives IPA users a popular connectivity option to PLCs for easy integration of servo motion in larger machine control application.

The IPA is an EtherNet/IP adapter device supporting both I/O and

Explicit Messaging. Add-On Instructions are available for seamless integration with Logix controllers.

Users can also take full advantage of the IPA programming language and to create complex, custom routines called by the PLC.

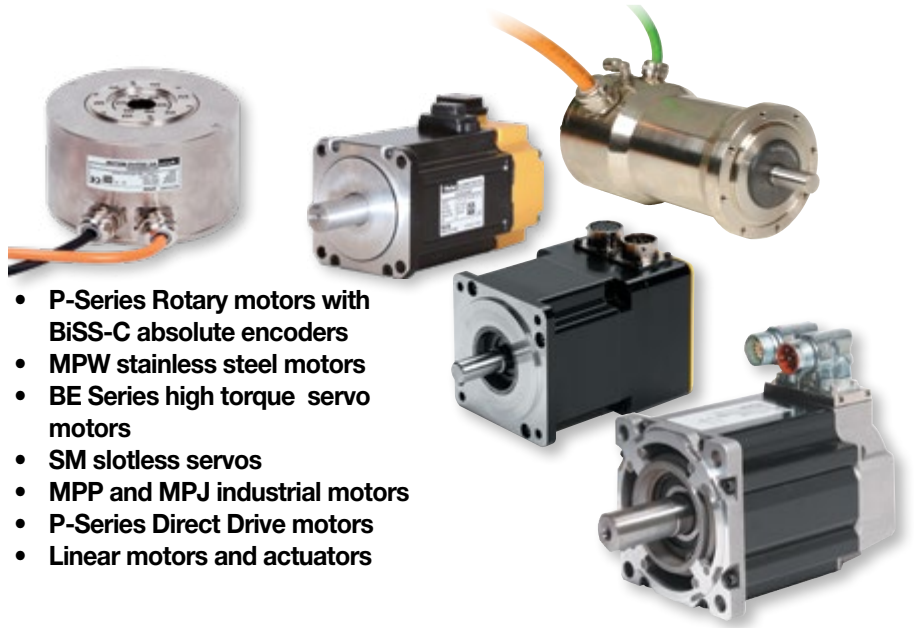
## EtherNet/IP™

Add-On Instructions include:

- **Homing**
- **Servo on/off**
- **Absolute/relative moves**
- **Jogging**
- **Run program**
- **Fault reset**
- **Gearing**

# Performance

At the core of the IPA is outstanding servo performance for the most demanding applications. The IPA can be paired with wide range of Parker rotary and linear servo motors, utilizing cost effective incremental encoders or absolute feedback devices based on high speed serial protocols. Recommend motors include:



- P-Series Rotary motors with BiSS-C absolute encoders
- MPW stainless steel motors
- BE Series high torque servo motors
- SM slotless servos
- MPP and MPJ industrial motors
- P-Series Direct Drive motors
- Linear motors and actuators

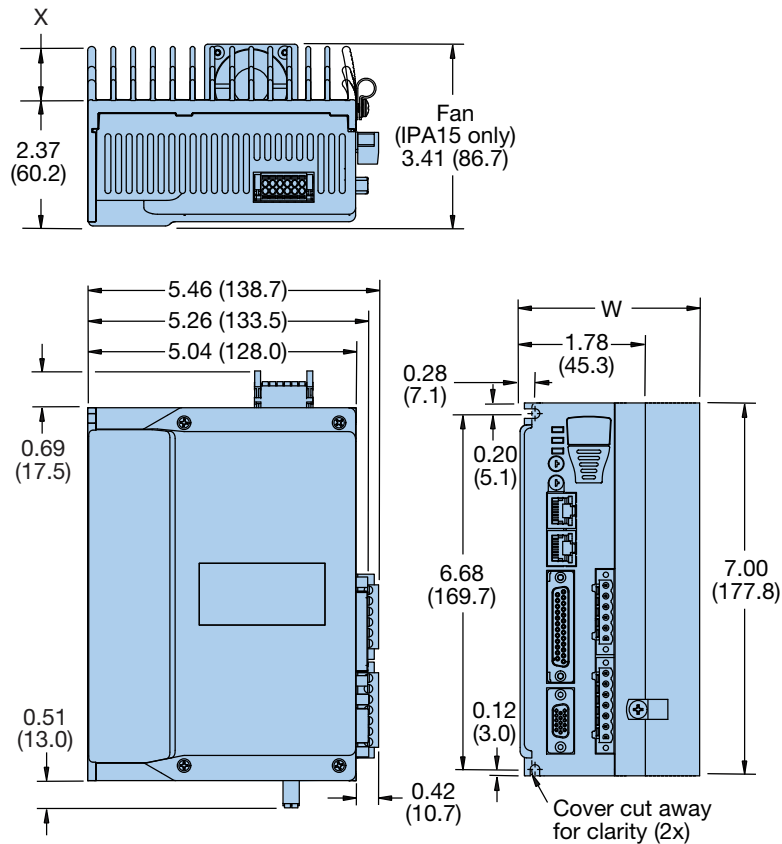
## Motor Specifications

Motor Model Number	Drive	Stall Torque Continuous		Peak Torque		Rated Speed rpm	Rated Torque		Rated Shaft Output Power W
		Nm	in-lb	Nm	in-lb		Nm	in-lb	
BE231DJ-NPSN	IPA04-HC	0.67	5.9	2.03	18.0	4965	0.62	5.5	325
BE233DJ-NPSN	IPA04-HC	1.45	12.8	4.38	38.8	2740	1.36	12.1	390
BE341FJ-NPSN	IPA15-HC	1.69	14.9	5.09	45.0	4965	1.44	12.8	750
BE342HJ-NPSN	IPA15-HC	2.85	25.2	8.57	75.9	4965	2.34	20.7	1215
BE344JJ-NPSN	IPA15-HC	4.78	42.3	14.41	127.5	2980	4.33	38.3	1350
PM-FAL01AM8N	IPA04-HC	0.34	3.0	0.96	8.5	3000	0.32	2.8	100
PM-FBL02AMK	IPA04-HC	0.68	6.0	1.91	16.9	3000	0.64	5.7	200
PM-FBL04AMK	IPA04-HC	1.45	12.8	3.82	33.8	3000	1.27	11.2	400
PM-FCL08AMK	IPA15-HC	2.51	22.1	7.16	63.4	3000	2.39	21.2	800
PM-FCL10AMK	IPA15-HC	3.34	29.5	9.55	84.5	3000	3.18	28.1	1000
MPP0921B1E-KPSN	IPA04-HC	1.55	13.7	4.32	38.2	2614	1.41	12.5	390
MPP0923D1E-KPSN	IPA15-HC	3.50	31.0	9.85	87.2	4288	3.22	28.5	1440
MPP1002D1E-KPSN	IPA15-HC	3.65	32.3	10.15	89.8	3903	3.53	31.2	1440
MPP1003C1E-KPSN	IPA15-HC	5.26	46.5	14.75	130.5	2700	5.15	45.5	1450

## Motor Connection

Motor Family	Connector Type	Motor Cable	Connectorized Feedback Cable			
			Incremental Encoder	EnDat Encoder	Absolute BiSS-C Single Turn	BiSS-C Multi-Turn Absolute
MPE	C1	71-030630-XX	71-030631-XX	-	-	-
BE MPP MPP SM	PS	P-1A1-XX (0-6A) P-3B1-XX (>6 amps)	F-1A1-XX	F-1A2-XX	-	-
	PS (Flex)	PH-1A1-XX (0-6A) PH-3B1-XX (>6 amps)	FH-1A1-XX	FH-1A2-XX	-	-
PM-FxL	P Series	APCS-PNxxLS	-	-	71-032647-XX	71-032751-XX
	P Series (Flex)	APCS-PFxxLS	-	-	71-032681-XX	71-032752-XX
PM-DD	P Series Direct Drive	APCS-PFxxYS	-	-	71-032648-XX	-

# Dimensions



## Dimensions - in (mm)

	Overall Width W	Fin Height X	Overall Depth w/Cables
IPA04-HC	3.00 (76.1)	0.63 (15.9)	7.8 (198)
IPA15-HC	3.41 (86.7)	1.00 (25.4)	7.8 (198)

### Optional Accessories:

<b>VM25-MC-02</b>	25-pin breakout board for Drive I/O connector, includes 2 ft cable
<b>VM15-MC-02</b>	15-pin breakout board for feedback connector, includes 2 ft cable for flying lead encoders
<b>PS-60W</b>	24VDC, 60W power supply



ENGINEERING YOUR SUCCESS.