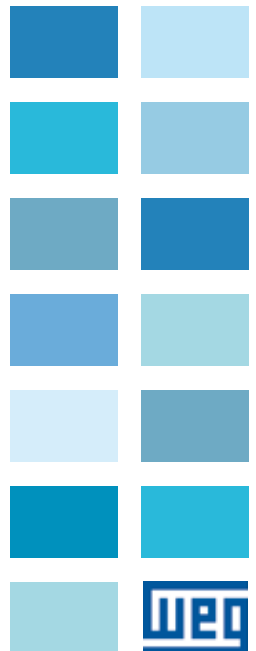


Field oriented vector AC Drive for synchronous/asynchronous motors

ADV200 WA-...-6
ADV200 WA-...-6-DC

Quick start up guide
Specification and installation

Language: English



Information about this manual

The ADV200 WA Quick start guide is a handy-sized manual for mechanical installation, electrical connection and fast start-up.
The manual explaining the functions and a description of the parameters and the manuals of the expansions and field bus can be found on WEG web site ([https://www.weg.net/...](https://www.weg.net/)).

Software version

This manual is updated according the software version V 2.X.1.

The identification number of the software version is indicated on the identification plate of the drive or can be checked with the **Firmware ver.rel** - PAR 490 parameter, menu 2.5.

General information

Note !

.....
In industry, the terms "Inverter", "Regulator" and "Drive" are sometimes interchanged. In this document, the term "Drive" will be used.
.....

Before using the product, read the safety instruction section carefully. Keep the manual in a safe place and available to engineering and installation personnel during the product functioning period.

WEG Automation Europe S.r.l. has the right to modify products, data and dimensions without notice. The data can only be used for the product description and they can not be understood as legally stated properties.

Thank you for choosing this WEG product.

We will be glad to receive any possible information which could help us improving this manual.

The e-mail address is the following: techdoc@weg.net..

All rights reserved.

Table of contents

Information about this manual	2
1 - Safety Precautions	6
1.1 Symbols used in the manual	6
1.2 Safety precaution	7
1.3 General warnings	7
1.4 Instruction for compliance with UL Mark (UL requirements), U.S. and Canadian electrical codes	9
1.5 Disclaimer	10
2 - Introduction to the product.....	11
2.1 Drive type designation	13
2.1.1 Parallel inverters	14
3 - Transport and storage.....	15
3.1 General.....	15
3.2 Permissible Environmental Conditions	16
3.3 Disposal of the device	16
4 - Mechanical installation	17
4.1 Inclination and mounting clearance	17
4.2 Fastening positions.....	18
5 - Wiring Procedure.....	22
5.1 Power section	26
5.1.1 Cable Cross Section	26
5.1.2 EMC guide line	27
5.1.3 Block diagram power section	28
5.1.4 Internal EMC filter	32
5.1.5 Power line connection.....	32
5.1.6 Input mains choke (L1)	35
5.1.7 Motor connection	36
5.1.8 Braking unit connection (optional)	37
5.1.9 Parallel connection on the AC (Input) and DC (Intermediate Circuit) side of several inverters.....	38
5.1.10 Parallel DC connection	39
5.1.11 Connection of fans	40
5.2 Regulation section	41
5.2.1 Removing the terminal cover	41
5.2.2 Cable Cross Section	41
5.2.3 Regulation section connection.....	41
5.2.4 Switches, jumpers and LED.....	43
5.2.5 R-PSM pre-charge card (only for sizes \geq 72000).....	46
5.2.6 R-SM3-ADV pre-charge card (only for sizes \geq 72000)	52
5.3 Braking	54
5.3.1 Braking unit.....	54
5.4 Serial interface (XS connector).....	55
5.4.1 Drive / RS 485 Port (not insulated) point-to-point connection.....	55
5.4.2 Drive / RS485 port point-to-point connection (with insulation)	56
5.4.3 RS 485 multi-drop connection	57
5.5 Typical connection diagrams	59
6 - Use of the keypad	65
6.1 Description.....	65
6.2 Navigation.....	66
6.2.1 Scanning of the first and second level menus	66
6.2.2 Display of a parameter.....	66
6.2.3 Scanning of the parameters	67
6.2.4 List of the last parameters modified	67
6.2.5 "Goto parameter" function.....	67

6.3	Parameter modification.....	68
6.4	How to save parameters.....	69
6.5	Configuration of the display.....	70
6.5.1	Language selection.....	70
6.5.2	Selection of Easy / Export mode.....	70
6.5.3	Startup display.....	70
6.5.4	Back-lighting of the display.....	70
6.6	Alarms.....	71
6.6.1	Alarm reset.....	71
6.7	Messages.....	71
6.8	Saving and recovery of new parameter settings.....	72
6.8.1	Selection of the keypad memory.....	72
6.8.2	Saving of parameters on the keypad.....	72
6.8.3	Load parameters from keypad.....	73
6.8.4	Transfer of parameters between drives.....	73
7	- Commissioning via keypad (STARTUP WIZARD)	74
7.1	Startup Wizard.....	77
7.1.1	Startup Wizard for Asynchronous Motors.....	77
7.2	First customized start-up.....	87
7.3	Programming.....	92
7.3.1	Menu display modes.....	92
7.3.2	Programming of "function block" analog and digital input signals.....	92
7.3.3	Variable interconnections mode.....	92
7.3.4	Multiple destination.....	94
8	- Troubleshooting.....	95
8.1	Alarms.....	95
8.2	Messages.....	99
9	- Specification	104
9.1	Environmental Conditions.....	104
9.2	Standards.....	104
9.3	Accuracy (Asynchronous).....	105
9.3.1	Current control.....	105
9.3.2	Speed control.....	105
9.3.3	Speed control limits.....	105
9.3.4	Torque control.....	105
9.3.5	Overload.....	105
9.4	DC circuit.....	105
9.5	Input electrical data.....	106
9.5.1	AC power supply.....	106
9.5.2	DC power supply.....	107
9.6	Output electrical data.....	108
9.6.1	Derating factors.....	110
9.6.2	Overload for output frequency.....	112
9.6.3	Switching frequency.....	113
9.7	Voltage level of the inverter for safe operations.....	113
9.8	Cooling.....	114
9.9	Weight and dimensions.....	115
10	- Options	120
10.1	Optional external fuses.....	120
10.1.1	AC input side fuses (F1).....	120
10.1.2	External fuses of the power section DC input side (F2).....	121
10.1.3	Optional internal fuses for the DC connection (F2).....	122
10.2	Choke.....	123
10.2.1	Optional input chokes (L1).....	123
10.2.2	Optional external choke (L2).....	124
10.3	External EMC filter (optional).....	127
10.4	External filters to reduce grid harmonics (optional).....	129
10.4.1	Choice of performance and calculation of current in RHF filters.....	129
10.4.2	Connection diagrams.....	130
10.4.3	Matching motors, RHF filters and ADV200-WA drives.....	132

10.4.4 Dimensions and weights of RHF filters	132
10.4.5 Dimensions and weights of L0-RHF chokes	133
10.5 Braking resistor (optional).....	133
10.6 Insulation monitor	134
10.7 Installation of optional cards	135
10.7.1 Procedure	136
10.7.2 Shielding of optional card connections	137
Appendix 1 - Parallel connection (500 ... 1800 kW sizes)...	138
A 1.1 Introduction.....	138
A 1.2 Compatibility of IGBT modules	139
A 1.3 MS-SL interface cable wiring sizes 500...800 kW	141
A 1.4 MS-SL interface cable wiring sizes 900...1150 kW.....	142
A 1.5 MS-SL interface cable wiring sizes 1.5 MW	143
A 1.6 MS-SL interface cable wiring sizes 1.8 MW	144
A 1.7 Jumpers and Switches	145
A 1.8 LEDs.....	145
A 1.9 Safety STO Interface	147
A 1.9.1 ADV200 WA-...-MS-SI models (INT-P-ADV card, revision "F" and lower)	147
A 1.9.2 ADV-...-MS-SI models (INT-P-ADV card, from revision "L")	147
Appendix 2 - Miscellaneous	150
A 2.1 DC-link capacity	150

1 - Safety Precautions

1.1 Symbols used in the manual



Warning!

Indicates a procedure, condition, or statement that, if not strictly observed, could result in personal injury or death.

Indique le mode d'utilisation, la procédure et la condition d'exploitation. Si ces consignes ne sont pas strictement respectées, il y a des risques de blessures corporelles ou de mort.



Caution

Indicates a procedure, condition, or statement that, if not strictly observed, could result in damage to or destruction of equipment.

Indique et le mode d'utilisation, la procédure et la condition d'exploitation. Si ces consignes ne sont pas strictement respectées, il y a des risques de détérioration ou de destruction des appareils.



Indicates that the presence of electrostatic discharge could damage the appliance. When handling the boards, always wear a grounded bracelet.

Indique que la présence de décharges électrostatiques est susceptible d'endommager l'appareil. Toujours porter un bracelet de mise à la terre lors de la manipulation des cartes.



Attention

Indicates a procedure, condition, or statement that should be strictly followed in order to optimize these applications.

Indique le mode d'utilisation, la procédure et la condition d'exploitation. Ces consignes doivent être rigoureusement respectées pour optimiser ces applications.

Note !

Indicates an essential or important procedure, condition, or statement.

Indique un mode d'utilisation, de procédure et de condition d'exploitation essentiels ou importants

Qualified personnel

For the purpose of this Instruction Manual, a "Qualified person" is someone who is skilled to the installation, mounting, start-up and operation of the equipment and the hazards involved. This operator must have the following qualifications:

- trained in rendering first aid.
- trained in the proper care and use of protective equipment in accordance with established safety procedures.
- trained and authorized to energize, de-energize, clear, ground and tag circuits and equipment in accordance with established safety procedures.

Personne qualifiée

Aux fins de ce manuel d'instructions, le terme « personne qualifiée » désigne toute personne compétente liée à l'installation, de montage, de mise en service et de fonctionnement de l'appareil et au fait des dangers qui s'y rattachent. L'opérateur en question doit posséder les qualifications suivantes:

- formation lui permettant de dispenser les premiers soins.
- formation liée à l'entretien et à l'utilisation des équipements de protection selon la consigne de sécurité en vigueur.
- formation et habilitation aux manœuvres suivantes : branchement, débranchement, vérification des isolations, mise à la terre et étiquetage des circuits et des appareils selon les consignes de sécurité en vigueur.

Use for intended purpose only

The power drive system (electrical drive + application plant) may be used only for the application stated in the manual and only together with devices and components recommended and authorized by WEG.

Utiliser uniquement dans les conditions prévues

Le système d'actionnement électrique (drive électrique + installation) ne peut être utilisé que dans les conditions d'exploitation et les lieux prévus dans le manuel et uniquement avec les dispositifs et les composants recommandés et autorisés par WEG.

1.2 Safety precaution

The following instructions are provided for your safety and as a means of preventing damage to the product or components in the machines connected. This section lists instructions, which apply generally when handling electrical drives. Specific instructions that apply to particular actions are listed at the beginning of each chapters.

Les instructions suivantes sont fournies pour la sécurité de l'utilisateur tout comme pour éviter l'endommagement du produit ou des composants à l'intérieur des machines raccordées. Ce paragraphe dresse la liste des instructions généralement applicables lors de la manipulation des drives électriques. Les instructions spécifiques ayant trait à des actions particulières sont répertoriées au début de chaque chapitre.

Read the information carefully, since it is provided for your personal safety and will also help prolong the service life of your electrical drive and the plant you connect to it.

Lire attentivement les informations en matière de sécurité personnelle et visant par ailleurs à prolonger la durée de vie utile du drive tout comme de l'installation à laquelle il est relié.

1.3 General warnings

|||||

This equipment contains dangerous voltages and controls potentially dangerous rotating mechanical parts. Non-compliance with Warnings or failure to follow the instructions contained in this manual can result in loss of life, severe personal injury or serious damage to property.

Cet appareil utilise des tensions dangereuses et contrôle des organes mécaniques en mouvement potentiellement dangereux. L'absence de mise en pratique des consignes ou le non-respect des instructions contenues dans ce manuel peuvent provoquer le décès, des lésions corporelles graves ou de sérieux dégâts aux équipements.

The drives cause mechanical movements. The user is responsible for ensuring that these mechanical movements do not create unsafe conditions. The safety blocks and operating limits provided by the manufacturer cannot be bypassed or modified

Les drives occasionnent des mouvements mécaniques. L'utilisateur est tenu de s'assurer que de tels mouvements mécaniques ne débouchent pas sur des conditions d'insécurité. Les butées de sécurité et les seuils d'exploitation prévus par le fabricant ne doivent être ni contournés ni modifiés.

Only suitable qualified personnel should work on this equipment, and only after becoming familiar with all safety notices, installation, operation and maintenance procedures contained in this manual. The successful and safe operation of this equipment is dependent upon its proper handling, installation, operation and maintenance.

Seul un personnel dûment formé peut intervenir sur cet appareil et uniquement après avoir assimilé l'ensemble des informations concernant la sécurité, les procédures d'installation, le fonctionnement et l'entretien contenues dans ce manuel. La sécurité et l'efficacité du fonctionnement de cet appareil dépendent du bon accomplissement des opérations de manutention, d'installation, de fonctionnement et d'entretien.



Warning!

1.4 Instruction for compliance with UL Mark (UL requirements), U.S. and Canadian electrical codes

Short circuit ratings

ADV200 WA inverters must be connected to a mains capable of supplying a symmetrical short-circuit power of less than or equal to "xxxx A rms (at 600 V +10% V max).

The values of the "xxxx" A rms short-circuit current, in accordance with UL requirements (UL 508 c), for each motor power rating (P_{n mot} in the manual) are shown in the table below.

Short current rating	
P _{n mot} (kW)	SCCR (A) @ 600Vac
75 ...132	10000
160 ... 250	18000
315 ... 400	30000
500 ... 630	42000
710 ... 1000	85000

Note!

Drive will be protected by semiconductor Fuse type as specified in the instruction manual.

Branch circuit protection

In order to protect drive against over-current use fuses specified in par. "10.1 Optional external fuses", page 120.

Environmental condition

The drive has to be considered "Open type equipment". Max surrounding air temperature equal to 40°C. Pollution degree 2.

Wiring of the input and output power terminals

Use UL listed cables rated at 75°C and round crimping terminals. Crimp terminals with tool recommended by terminal manufacturer.

Field wiring terminals shall be used with the tightening torque specified in par. "9.8 Cooling", page 114.

Over-voltage control

In compliance with CSA-requirements Overvoltage at mains terminal is achieved installing an overvoltage protection device as for :

Type OVR 3L 15 660 from ABB or similar.

Minimum time required for safe DC-link voltage

Before removing drive cover in order to access internal parts, after mains disconnection wait 300 sec for time.

Over-speed; over-load/current limit; motor overload

Drive incorporate over-speed, over-current/current limit, motor overload protection. Instruction manual specify degree of protection and detailed installation instruction.

Solid State Motor Overload Protection

Drives incorporate motor overload protection. Protection is implemented as a software function. Instruction manual specifies degree of protection and detailed installation instructions. *

*Applicable up to 9 May 2013.

New requirement. Applicable as from 9 May 2013.

The drive is not provided with the internal motor overload protection (software function) as required under UL 508c as from 9 May 2013.

The drive is designed for use with motors with integrated thermal overload protection.

The integrated thermal overload protection signal must be connected to the equipment, starting from a contact, on the "digital input connector" terminal, pins 4 and 10, that accepts a maximum of 24 VDC, 5 mA. The final result of this signal is the switching of the motor control device output to solid state OFF.

1.5 Disclaimer

Any remote connection functions shall be used only under adequate security conditions, in compliance with current regulatory provisions and only by properly trained personnel. The evaluation of such conditions is up to the user.

2 - Introduction to the product

The new inverter series “ADV200 WA” represents an innovative concept in drive technology, as a result of the constant technological research and of the experience that the WEG Automation Europe has acquired keeping a constant presence aside that of the major sector players.

The new range has been engineered and developed to satisfy the real needs of System Integrators and OEM's in order to provide them the best innovations and economical competitiveness in the international markets.

Based on full mechanical modularity and on a powerful, intuitive and “fully open” programming platform, ADV200 WA offers absolute integration flexibility with high-end performance in any system architectures of the most advanced automation environments.

Designed and built specifically for the control of variable torque applications such as centrifugal pumps and fans, ADV200 WA is the ideal inverter for water treatment plants and HVAC systems.

• Modularity

An innovative concept of integrated technology that offers full modularity. Mountable side by side and with accessories specifically dedicated to system solutions, ADV200 WA has been engineered to make installation easy for any operator, both in existing systems and in specific machine solutions, always offering a real reduction of required space in the cabinet and the best manageability.

• Integrated Quality

ADV200 WA integrates the fundamental devices for an absolute quality level, such as the DC choke that ensures maximum reliability in any conditions of working and the input filter that renders the drive in compliance with the EMC normative EN61800-3. Note: the choke and filter are not present in ADV200 WA-DC models.

• Fast Access

Structured to offer simple and fast management of the product in any situation of installation and mounting. From the terminal access to the rack assembling of the options, each operation is quick and easy.

• Smart Connections

Dedicated accessories and fully removable terminals, ensure simple and fast installation and start-up in compliance with the EMC normative.

• Options

ADV200 WA manages up to 3 option cards. The following cards should be installed:

- **EXP-IO-D6A4R1-ADV**: 4 Digital inputs, 2 Digital Outputs, 2 Analog Inputs, 2 Analog Outputs and 2 double contact Relays.
- **EXP-IO-SEN-100-ADV** and **EXP-IO-SEN-1000-ADV**: dedicated cards for direct reading of PT100, PT1000 and NI1000 temperature sensors
- **EXP-IO-D5R8-ADV**: control of multi-pump systems.
- **EXP-CAN-ADV**, **EXP-PDP-ADV**, **EXP-ETH-...**, **SBI-...** : Field Bus expansion.

-
- **Safety STO Interface** (ADV200 WA-...-SI models and the master inverter of 500 kW to 1.8 MW parallel versions).

Integrated on board as the 4th option or integrated in the INT-P-ADV power card (sizes ≥ 72000 and from "L" HW version), the EXP- SFTy card allows the motor to be disabled without the use of a safety contactor on the drive output, guaranteeing compliance to the directive for machine safety EN61800-5-2 SIL3.

- **Serial Line**

Integrated standard RS485 serial line with Modbus RTU protocol, for peer-to-peer or multidrop connections (with OPT-RS485-ADV card).

- **Back-Up Supply**

ADV200 WA can be supplied through an external +24Vdc supply in order to be kept active in case of mains input loss, ensuring in this situation the operation of all monitoring functions, programming and any connected fieldbus network.

- **Cables shield**

OMEGA clamp to grounding 360° of shielded cables.

2.1 Drive type designation

The main technical characteristic of the drive are showed in the product code and in the nameplate. I.e. product code:

ADV200-WA 7 2000 -K X X -6 -XX YY -DC -SI -IT

IT = IT Network configuration

Safety card

EXP-SFTy-ADV included

DC bus power supply version

Parallel version only:

XX : MS = MASTER

SL = SLAVE

YY :

05 = 500.0 kW

06 = 630.0 kW

07 = 710.0 kW

08 = 800.0 kW

10 = 1000.0 kW

12 = 1150.0 kW

15 = 1500.0 kW

18 = 1800.0 kW

Rated voltage :

6 = 500...690 Vac (sizes 7)

Software:

X = standard

Braking unit:

X = non included

B = included

Keypad:

X = non included

K = included

Drive power, in kW:

2000 = 200.0 kW

2500 = 250.0 kW

3150 = 315.0 kW

3550 = 355.0 kW


4000 = 400.0 kW

Mechanical drive sizes:

7 = size 7

Drive ADV200 WA series

Identification Nameplate

Serial number	WEG WEG Automation Europe S.r.L. - Via G.Carducci, 24 I-21040-Gerenzano, VA
Drive model	Type: ADV200-WA-72000-KXX-6 S/N: 07012345
Input (mains supply, frequency, AC Input Current at constant torque)	Inp: 500Vac-10% + 690Vac +10% 50/60Hz 3Ph 210A
Output (Output voltage, frequency, power, current, CT and VT overloads)	Out: 0-690Vac 500Hz 3Ph 200kW@690Vac 200Hp@575Vac 200kW 210A Ovid. 110%-60s 160kW 170A Ovid. 150%-60s
Approvals	Made in Italy 

Firmware & cards revision level nameplate

	Firmware Release						S/N	07012345	Prod. CONF
	D	F	P	R	S	BU			
Firmware revision	2.0.0			-E	-L			11.10.11	B2
Cards revision									

Power Regulation Safety Braking unit Software revision Product configuration

The inverter must be selected according to the rated current of the motor.
The rated output current of the drive must be higher than or equal to the rated current of the motor used.

The speed of the three-phase motor is determined by the number of pole pairs and the frequency (nameplate, data sheet) of the motor concerned.
 Operation above the rated frequency and speed of the motor must take into account the specifications given by the manufacturer losses (bearings, unbalance etc.). This also applies to temperature specifications for continuous operation under 20 Hz (poor motor ventilation, not applicable to motors with external ventilation).

2.1.1 Parallel inverters

- Inverters of between 500 kW and 800 kW comprise one master and one slave.
- Inverters of over 1000 kW comprise one master and two slaves.

When placing your order **please give the code number of the master and slave and number of these:**

Power	code	Description (Designation) ADV200-WA-...
500 kW	S9O76WM	72500-KXX-6-MS 05 -SI
	S9O76WS	72500-XXX-6-SL
630 kW	S9O77WM	73150-KXX-6-MS 06 -SI
	S9O77QS	73150-XXX-6-SL
710 kW	S9O78WM	73550-KXX-6-MS 07 -SI
	S9O78WS	73550-XXX-6-SL
800 kW	S9O79WM	74000-KXX-6-MS 08 -SI
	S9O79WS	74000-XXX-6-SL
1000 kW	S9O78WM1	73550-KXX-6-MS 10 -SI
	S9O78WS	73550-XXX-6-SL
	S9O78WS	73550-XXX-6-SL
1150 kW	S9O79WM1	74000-KXX-6-MS 12-SI
	S9O79WS	74000-XXX-6-SL
	S9O79WS	74000-XXX-6-SL
1500 kW	S9O79WM2	74000-KXX-6-MS 15-SI
	S9O79WL	74000-XXX-6-SL
	S9O79WL	74000-XXX-6-SL
	S9O79WL1	74000-XXX-6-SL2
1800 kW	S9O79WM3	74000-KXX-6-MS 18-SI
	S9O79WL	74000-XXX-6-SL
	S9O79WL	74000-XXX-6-SL
	S9O79WL1	74000-XXX-6-SL2
	S9O79WL1	74000-XXX-6-SL2

Power	code	Description (Designation) ADV200-WA-...
500 kW	S9076WMC	72500-KXX-6-MS 05-DC- SI
	S9076WSC	72500-KXX-6-SL-DC
630 kW	S9077WMC	73150-KXX-6-MS 06-DC-SI
	S9077WSC	73150-KXX-6-SL-DC
710 kW	S9078WMC	73550-KXX-6-MS 07-DC-SI
	S9078WSC	73550-KXX-6-SL-DC
800 kW	S9079WMC	74000-KXX-6-MS 08-DC-SI
	S9079WSC	74000-KXX-6-SL-DC
1000 kW	S9078W1C	73550-KXX-6-MS 10-DC-SI
	S9078WSC	73550-KXX-6-SL-DC
	S9078WSC	73550-KXX-6-SL-DC
1150 kW	S9079W1C	74000-KXX-6-MS 12-DC-SI
	S9079WSC	74000-KXX-6-SL-DC
	S9079WSC	74000-KXX-6-SL-DC
1500 kW	S9079W2C	74000-KXX-6-MS 15-DC-SI
	S9079WSC	74000-XXX-6-SL-DC
	S9079WSC	74000-XXX-6-SL-DC
	S9079WSC1	74000-XXX-6SL2-DC
1800 kW	S9079W3C	74000-KXX-6-MS 18-DC-SI
	S9079W5C	74000-XXX-6-SL-DC
	S9079W5C	74000-XXX-6-SL-DC
	S9079WSC1	74000-XXX-6-SL2-DC
	S9079WSC1	74000-XXX-6-SL2-DC

3 - Transport and storage



Correct transport, storage, erection and mounting, as well as careful operation and maintenance are essential for proper and safe operation of the equipment. Protect the inverter against physical shocks and vibration during transport and storage. Also be sure to protect it against water (rainfall) and excessive temperatures.

Le bon accomplissement des opérations de transport, de stockage, d'installation et de montage, ainsi que l'exploitation et l'entretien minutieux, sont essentiels pour garantir à l'appareil un fonctionnement adéquat et sûr.

If the Drives have been stored for longer than two years, the operation of the DC link capacitors may be impaired and must be "reformed". Before commissioning devices that have been stored for long periods, connect them to a power supply for two hours with no load connected in order to regenerate the capacitors, (the input voltage has to be applied without enabling the drive).

En cas de stockage des variateurs pendant plus de deux ans, il est conseillé de contrôler l'état des condensateurs CC avant d'en effectuer le branchement. Avant la mise en service des appareils, ayant été stockés pendant long temps, il faut alimenter variateurs à vide pendant deux heures, pour régénérer les condensateurs : appliquer une tension d'alimentation sans actionner le variateur.

3.1 General

A high degree of care is taken in packing the ADV Drives and preparing them for delivery. They should only be transported with suitable transport equipment (see weight data). Observe the instructions printed on the packaging. This also applies when the device is unpacked and installed in the control cabinet.

Upon delivery, check the following:

- the packaging for any external damage
- whether the delivery note matches your order.

Open the packaging with suitable tools. Check whether:

- any parts were damaged during transport
- the device type corresponds to your order

In the event of any damage or of an incomplete or incorrect delivery please notify the responsible sales offices immediately. The devices should only be stored in dry rooms within the specified temperature ranges .

Note!

A certain degree of moisture condensation is permissible if this arises from changes in temperature. This does not, however, apply when the devices are in operation. Always ensure that there is no moisture condensation in devices that are connected to the power supply!

3.2 Permissible Environmental Conditions

Temperature

storage _____	-25...+55°C (-13...+131°F), class 1K4 per EN50178
	-20...+55°C (-4...+131°F), for devices with keypad
transport _____	-25...+70°C (-13...+158°F), class 2K3 per EN50178
	-20...+60°C (-4...+140°F), for devices with keypad

Air humidity

storage _____	from 5% to 95 % and 1 g/m ³ to 29 g/m ³ (class 1K3 as per EN50178)
transport _____	95 % (3), 60 g/m ³ (4)

A light condensation of moisture may occur for a short time occasionally if the device is not in operation (class 2K3 as per EN50178)

Air pressure:

storage _____	[kPa] 86 to 106 (class 1K4 as per EN50178)
transport _____	[kPa] 70 to 106 (class 2K3 as per EN50178)

- (3) Greatest relative air humidity occurs with the temperature @ 40°C (104°F) or if the temperature of the device is brought suddenly from -25...+30°C (-13°...+86°F).
- (4) Greatest absolute air humidity if the device is brought suddenly from 70...15°C (158°...59°F).



.....
The drive is suitable for use under the environmental service conditions (climate, mechanical, pollution, etc.) defined as usual service conditions according to EN61800-2.
.....

3.3 Disposal of the device

The ADV200 inverter can be disposed of as electronic waste according to national regulations in force for the disposal of electronic components.



Pursuant to Article 26 of Italian Legislative Decree no. 49 of 14 March 2014 “Implementation of Directive 2012/19/EU on waste electrical and electronic equipment (WEEE)”

The symbol showing a crossed-out wheeled bin on equipment or its packaging indicates that the product must be collected separately from other waste at the end of its useful life. The manufacturer is responsible for organising and managing the separate collection of this piece of equipment at the end of its useful life.

Users wishing to dispose of the equipment must therefore contact the manufacturer to obtain instructions from the same on how to have the equipment collected separately at the end of its useful life.

By collecting the disused equipment separately, it can be recycled, treated or disposed of in an environmentally friendly manner, thus helping to prevent the environment and public health from being affected negatively and enabling reuse and/or recycling of the materials forming the same equipment.

4 - Mechanical installation



|||||

The Drive must be mounted on a wall that is constructed of heat resistant material. While the Drive is operating, the temperature of the Drive's cooling fins can rise to a temperature of 158° F (70°C).

Le drive doit être monté sur un mur construit avec des matériaux résistants à la chaleur. Pendant le fonctionnement du drive, la température des ailettes du dissipateur thermique peut arriver à 70°C (158° F).

Because the ambient temperature greatly affects Drive life and reliability, do not install the Drive in any location that exceeds the allowable temperature.

Étant donné que la température ambiante influe sur la vie et la fiabilité du drive, on ne devrait pas installer le drive dans des places où la température permise est dépassée.

Be sure to remove the desiccant dryer packet(s) when unpacking the Drive. (If not removed these packets may become lodged in the fan or air passages and cause the Drive to overheat).

Lors du déballage du drive, retirer le sachet déshydraté. (Si celui-ci n'est pas retiré, il empêche la ventilation et provoque une surchauffe du drive).

Protect the device from impermissible environmental conditions (temperature, humidity, shock etc.).

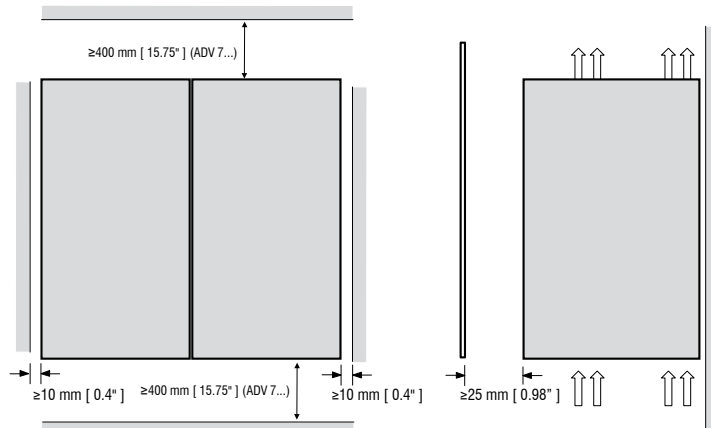
Protéger l'appareil contre des effets extérieurs non permis (température, humidité, chocs etc.).

|||||

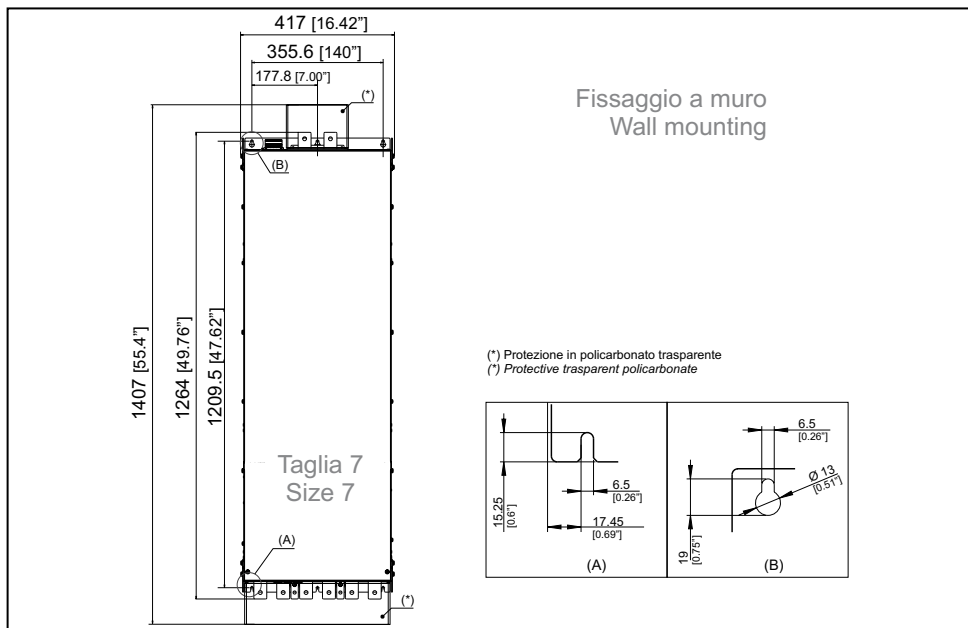
4.1 Inclination and mounting clearance

The Drives must be mounted in such a way that the free flow of air is ensured see paragraph "9.8 Cooling", page 114.

Maximum angle of inclination _____ 30° (referred to vertical position)
Minimum top and bottom distance _____ 400mm
Minimum free space to the front _____ 25 mm
Minimum distance between drives _____ none
Minimum distance to the side with the cabinet 10 mm



4.2 Fastening positions

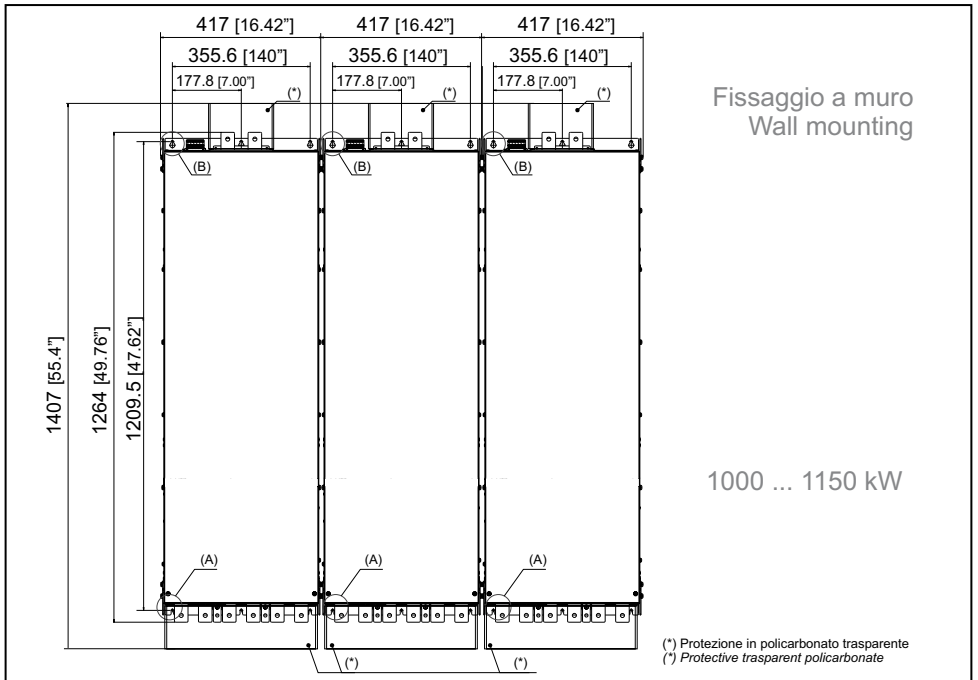
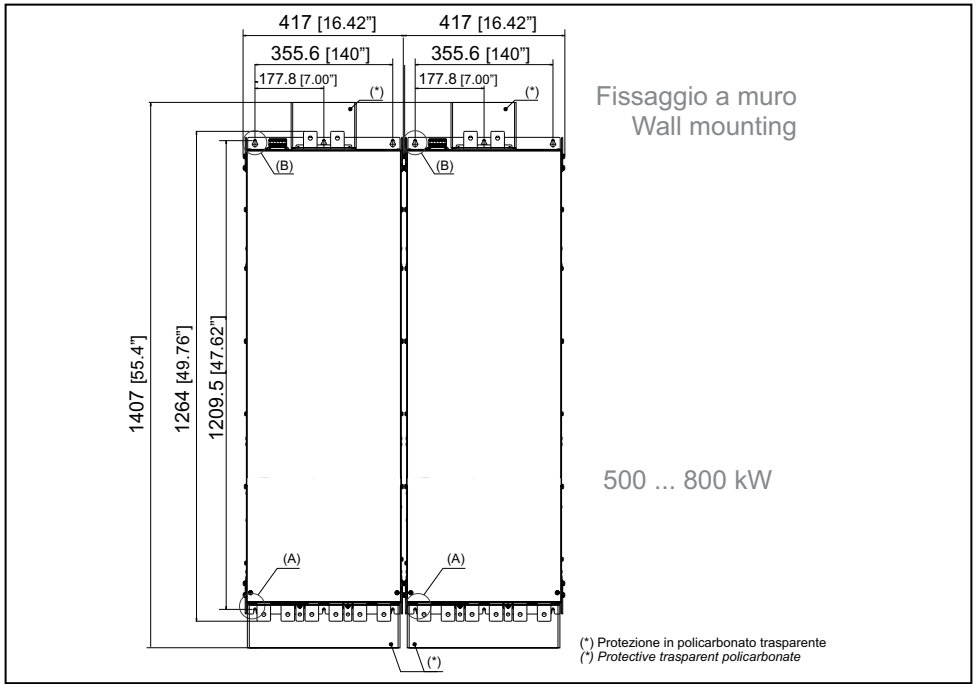


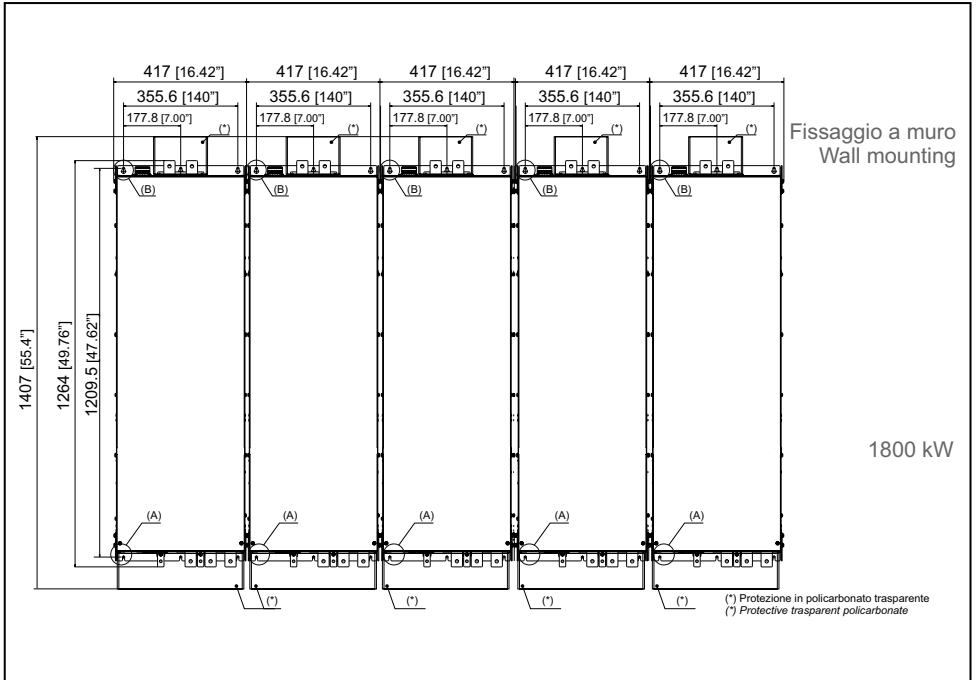
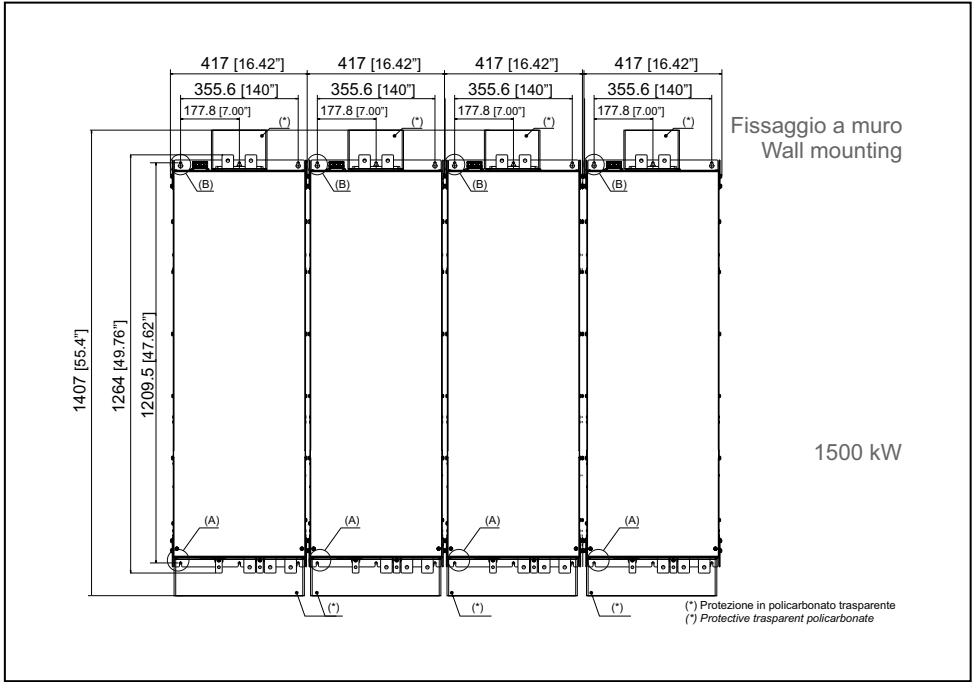
Recommended screws for fastening

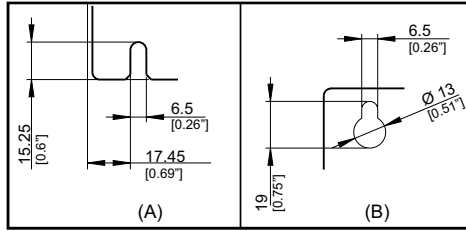
Size 7 (ADV 7...)		6 x M6 x 16 mm screws + Grover (spring-lock) washer + Flat washer
-------------------	--	---

Note!

Other dimensions see chapter "9.9 Weight and dimensions", page 115.







		Recommended screws for fastening
500 kW	ADV200-WA-72500-KXX-6-MS 05 -SI ADV200-WA-72500-XXX-6-SL	12 x M6 x 16 mm screws + Grover (spring-lock) washer + Flat washer
630 kW	ADV200-WA-73150-KXX-6-MS 06 -SI ADV200-WA-73150-XXX-6-SL	
710 kW	ADV200-WA-73550-KXX-6-MS 07 -SI ADV200-WA-73550-XXX-6-SL	
800 kW	ADV200-WA-74000-KXX-6-MS 08 -SI ADV200-WA-74000-XXX-6-SL	
1000 kW	ADV200-WA-73550-KXX-6-MS 10 -SI ADV200-WA-73550-XXX-6-SL ADV200-WA-73550-XXX-6-SL	18 x M6 x 16 mm screws + Grover (spring-lock) washer + Flat washer
1150 kW	ADV200-WA-74000-KXX-6-MS 12-SI ADV200-WA-74000-XXX-6-SL ADV200-WA-74000-XXX-6-SL	24 x M6 x 16 mm screws + Grover (spring-lock) washer + Flat washer
1500 kW	ADV200-WA-74000-KXX-6-MS 15-SI ADV200-WA-74000-XXX-6-SL ADV200-WA-74000-XXX-6-SL ADV200-WA-74000-XXX-6-SL2	
1800 kW	ADV200-WA-74000-KXX-6-MS 18-SI ADV200-WA-74000-XXX-6-SL ADV200-WA-74000-XXX-6-SL ADV200-WA-74000-XXX-6-SL2 ADV200-WA-74000-XXX-6-SL2	

Note!

Other dimensions see chapter "9.9 Weight and dimensions", page 115.

5 - Wiring Procedure



Adjustable frequency drives are electrical apparatus for use in industrial installations. Parts of the Drives are energized during operation. The electrical installation and the opening of the equipment should therefore only be carried out by qualified personnel. Improper installation of motors or Drives may therefore cause the failure of the device as well as serious injury to persons or material damage. Drive is not equipped with motor overspeed protection logic other than that controlled by software. Follow the instructions given in this manual and observe the local and national safety regulations applicable.

Les drives à fréquence variable sont des dispositifs électriques utilisés dans des installations industriels. Une partie des drives sont sous tension pendant l'opération. L'installation électrique et l'ouverture des drives devrait être exécuté uniquement par du personnel qualifié. De mauvaises installations de moteurs ou de drives peuvent provoquer des dommages matériels ou blesser des personnes. On doit suivre les instructions données dans ce manuel et observer les règles nationales de sécurité.

Replace all covers before applying power to the Drive. Failure to do so may result in death or serious injury.

Remettre tous les capots avant de mettre sous tension le drive. Des erreurs peuvent provoquer de sérieux accidents ou même la mort.



The drive must always be grounded. If the drive is not connected correctly to ground, extremely hazardous conditions may be generated that may result in death or serious injury.

Le drive doit toujours être raccordé au système de mise à la terre. *Un mauvais raccordement du drive au système de mise à la terre peut se traduire par des conditions extrêmement dangereuses susceptibles d'entraîner le décès ou de graves lésions corporelles.*

Never open the device or covers while the AC Input power supply is switched on. Minimum time to wait before working on the terminals or inside the device is listed in section "9.7 Voltage level of the inverter for safe operations", page 113.

Ne jamais ouvrir l'appareil lorsqu'il est sous tension. Le temps minimum d'attente avant de pouvoir travailler sur les bornes ou bien à l'intérieur de l'appareil est indiqué dans la section "9.7 Voltage level of the inverter for safe operations", page 113.

Do not touch or damage any components when handling the device. The changing of the isolation gaps or the removing of the isolation and covers is not permissible.

Manipuler l'appareil de façon à ne pas toucher ou endommager des parties. Il n'est pas permis de changer les distances d'isolement ou bien d'enlever des matériaux isolants ou des capots.



Do not connect power supply voltage that exceeds the standard specification voltage fluctuation permissible. If excessive voltage is applied to the Drive, damage to the internal components will result.

Ne pas raccorder de tension d'alimentation dépassant la fluctuation de tension permise par les normes. Dans le cas d'une alimentation en tension excessive, des composants internes peuvent être endommagés.

Operation with Residual Current Device

If an RCD (also referred to as ELCB or RCCB) is fitted, the inverters will operate without nuisance tripping, provided that:

- a type B RCD is used.
- the trip limit of the RCD is 300mA.

- the neutral of the supply is grounded (TT or TN systems)
- only one inverter is supplied from each RCD.
- the output cables are less than 50m (screened) or 100m (unscreened).

RCD: Residual Current Device
 RCCB: Residual Current Circuit Breaker
 ELCB: Earth Leakage Circuit Breaker

Note: The residual current operated circuit-breakers used must provide protection against direct-current components in the fault current and must be suitable for briefly suppressing power pulse current peaks. It is recommended to protect the frequency inverter by fuse separately.
 The regulations of the individual country (e.g. VDE regulations in Germany) and the regional power suppliers must be observed!

Fonctionnement avec un dispositif de courant résiduel

En cas d'installation d'un RCD – dispositif de courant résiduel – (également dénommé RCCB ou ELCB), les onduleurs fonctionneront sans faux arrêt à condition que :

- le RCD utilisé soit de type B
- le seuil de déclenchement du RCD soit fixé à 300 mA
- le neutre du bloc d'alimentation soit mis à la terre (systèmes TT ou TN)
- chaque RCD n'alimente qu'un seul onduleur
- la longueur des câbles de sortie soit inférieure à 50 m (blindés) ou 100 m (non blindés)

RCD: Dispositif de courant résiduel
 RCCB: Disjoncteur à courant résiduel
 ELCB: Disjoncteur contre fuite à la terre

Remarque : Les RCD utilisés doivent assurer la protection contre les composants à courant continu présents dans le courant de défaut et doivent être capables de supprimer des crêtes de courant en peu de temps. Il est recommandé de protéger séparément l'onduleur au moyen de fusibles.
 Respecter la réglementation des pays concernés (par exemple, les normes VDR en Allemagne) et des fournisseurs locaux d'énergie électrique.



Caution

Functioning of the Drive without a ground connection is not permitted. To avoid disturbances, the armature of the motor must be grounded using a separate ground connector from those of other appliances.

Défense de faire fonctionner le drive sans qu'il y ait eu raccordement de mise à la terre préalable. Pour éviter les perturbations, la carcasse du moteur doit être mise à la terre à l'aide d'un raccord de mise à la masse séparé de ceux des autres appareils.

The grounding connector shall be sized in accordance with the NEC or Canadian Electrical Code. The connection shall be made by a UL listed or CSA certified closed-loop terminal connector sized for the wire gauge involved. The connector is to be fixed using the crimp tool specified by the connector manufacturer.

Le raccordement devrait être fait par un connecteur certifié et mentionné à boucle fermée par les normes CSA et UL et dimensionné pour l'épaisseur du câble correspondant. Le connecteur doit être fixé à l'aide d'un instrument de serrage spécifié par le producteur du connecteur.

Do not perform a megger test between the Drive terminals or on the control circuit terminals.
Ne pas exécuter un test megger entre les bornes du drive ou entre les bornes du circuit de contrôle.

No voltage should be connected to the output of the drive (terminals U, V, W). The parallel connection of several drives via the outputs and the direct connection of the inputs and outputs (bypass) are not permissible.

Aucune tension ne doit être appliquée sur la sortie du convertisseur (bornes U, V, W). Il n'est pas permis de raccorder la sortie de plusieurs convertisseurs en parallèle, ni d'effectuer une connexion directe de l'entrée avec la sortie du convertisseur (Bypass).

The electrical commissioning should only be carried out by qualified personnel, who are also responsible for the provision of a suitable ground connection and a protected power supply feeder in accordance with the local and national regulations. The motor must be protected against overloads.

La mise en service électrique doit être effectuée par un personnel qualifié. Ce dernier est responsable de l'existence d'une connexion de terre adéquate et d'une protection des câbles d'alimentation selon les prescriptions locales et nationales. Le moteur doit être protégé contre la surcharge

If the Drives have been stored for longer than two years, the operation of the DC link capacitors may be impaired and must be "reformed". Before commissioning devices that have been stored for long periods, connect them to a power supply for two hours with no load connected in order to regenerate the capacitors, (the input voltage has to be applied without enabling the drive).

En cas de stockage des variateurs pendant plus de deux ans, il est conseillé de contrôler l'état des condensateurs CC avant d'en effectuer le branchement. Avant la mise en service des appareils, ayant été stockés pendant long temps, il faut alimenter variateurs à vide pendant deux heures, pour régénérer les condensateurs : appliquer une tension d'alimentation sans actionner le variateur.

.....
.....

Type of networks

ADV200 WA-6 drives are designed to be powered from standard three phase lines that are electrically symmetrical with respect to ground (TN or TT network). In case of supply with IT network, sizes ≥ 72000 (with integrated EMI filter and max. distance of 50 m between inverter and motor) can be used.

ADV200 WA...-IT does not include the use of an EMI filter with internal capacitors connected to the ground. The RFI emissions level are more relevant but in accordance with EN 61800-3.

In case of limited emission levels requirements, it is suggested to check for excessive noise from close electrical equipment or to the public low-voltage mains. If necessary, to reduce the levels of emissions is enough to use a voltage transformer with static screening between the primary and secondary windings.

Do not install an external EMI filter to the ADV200 WA...-IT. Capacitors inside the standard EMI filter could be damaged and could cause safety problem. Special EMC filters for IT Network are available on request.

ADV200 WA...-IT can only operate on IT networks devoid of any faults (between active parts and PE) or in the presence of temporary faults.

Therefore an insulation monitor **MUST** be used to detect and enable prompt removal of any fault condition. For more information, see section "10.6 Insulation monitor", page 134.

Type de réseaux :

Les variateurs ADV200 WA-6 sont conçus pour être alimentés à partir des lignes triphasées standard qui sont électriquement symétrique par rapport à la terre (TN ou réseau TT).

En cas d'alimentation avec le réseau IT, les tailles ≥ 72000 (avec filtre EMI intégré et une distance maximale de 50 m entre le variateur et le moteur) peuvent être utilisés.

Pour les tailles <72000 , la référence «ADV200 WA-IT» est obligatoire.

"ADV200 WA...-IT" n'inclut pas l'utilisation d'un filtre EMI avec des condensateurs internes reliés à la masse. Le niveau des émissions de RFI sont plus pertinentes, mais en conformité avec la norme EN 61800-3.

En cas de besoins pour limités les niveaux d'émission, il est suggéré de vérifier le bruit excessif provenant des équipements électriques à proximité ou sur le réseau basse tension . Si nécessaire, pour réduire les niveaux d'émissions trop important utiliser un transformateur d'isolement entre les enroulements primaires et secondaires.



Caution

Ne pas installer un filtre EMI externe à l'ADV200 WA-...-IT. Les condensateurs à l'intérieur du filtre standard EMI pourraient être endommagés et pourraient causer des problèmes de sécurité. Filtres spéciaux pour Réseaux IT sont disponibles sur demande.

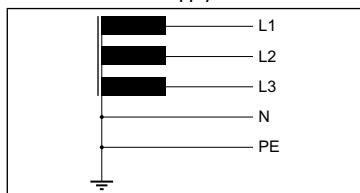
Power supply networks

Based on the grounding method, the IEC 60634-1 describes three main types of grounding for power supply networks: TN, TT and IT systems.

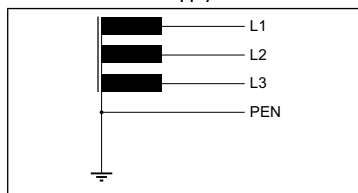
In particular, the IT system has all the active parts insulated from earth or a point connected to ground through an impedance. The earths of the system are connected separately or collectively to the system ground.

The following figures show these different systems.

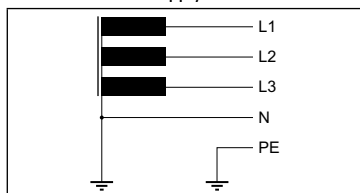
TN-S supply lines



TN-C supply lines



TT supply lines



IT supply lines



5.1 Power section

5.1.1 Cable Cross Section

Sizes	Bars: L1 - L2 - L3 - C - D - U - V - W			
	Recommended Cable Cross Section		Lock screw diameter	Tightening torque (min)
	(mm ²)	AWG / kcmil	(mm)	(Nm)
72000	95	AWG 4/0	M10	25
72500	150	300 kcmil	M10	25
73150	240	500 kcmil	M10	25
73550	2 x 100	2 x AWG 4/0	M10	25
74000	2 x 100	2 x AWG 4/0	M10	25

Sizes	Connection $\frac{1}{2}$ on bars				
	Cable Cross Section		Lock screw diameter	Recommended terminal	Tightening torque
	(mm ²)	AWG / kcmil	(mm)	(mm)	(Nm)
72000	50	AWG 1/0	M10	Eyelet	25
72500	75	AWG 2/0	M10	Eyelet	25
73150	120	250 kcmil	M10	Eyelet	25
73550	150	300 kcmil	M10	Eyelet	25
74000	150	300 kcmil	M10	Eyelet	25

Note !

Parallel versions ($\geq 500\text{kW}$): refer to the single modules.

5.1.2 EMC guide line



.....

In a domestic environment, this product may cause radio interference, in which case supplementary mitigation measures may be required.

Dans un environnement domestique, ce produit peut causer des interférences radio, auquel cas des mesures d'atténuation supplémentaire peuvent être nécessaires.

.....



.....

Drives are designed to operate in an industrial environment where a high level of electromagnetic interference are to be expected. Proper installation practices will ensure safe and trouble-free operation. If you encounter problems, follow the guidelines which follow.

- Check for all equipment in the cabinet are well grounded using short, thick grounding cable connected to a common star point or busbar. Better solution is to use a conductive mounting plane and use that as EMC ground reference plane.
- Flat conductors, for EMC grounding, are better than other type because they have lower impedance at higher frequencies.
- Make sure that any control equipment (such as a PLC) connected to the inverter is connected to the same EMC ground or star point as the inverter via a short thick link.
- Connect the return ground from the motors controlled by the drives directly to the ground connection ($\underline{\underline{\perp}}$) on the associated inverter.
- Separate the control cables from the power cables as much as possible, using separate trunking, if necessary at 90° to each other.
- Whenever possible, use screened leads for the connections to the control circuitry
- Ensure that the contactors in the cubicle are suppressed, either with R-C suppressors for AC contactors or 'flywheel' diodes for DC contactors fitted to the coils. Varistor suppressors are also effective. This is important when the contactors are controlled from the inverter relay .
- Use screened or armored cables for the motor connections and ground the screen at both ends using the cable clamps

Note!

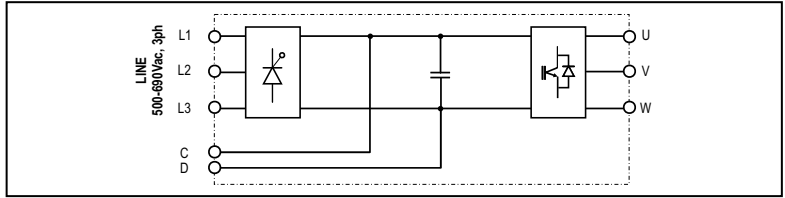
.....

For further information regarding electro-magnetic compatibility standards, according to Directive 2014/30/EU, conformity checks carried out on WEG appliances, connection of filters and mains inductors, shielding of cables, ground connections, etc., consult the "Electro-magnetic compatibility guide" (1S5E84) you can download from www.weg.net.

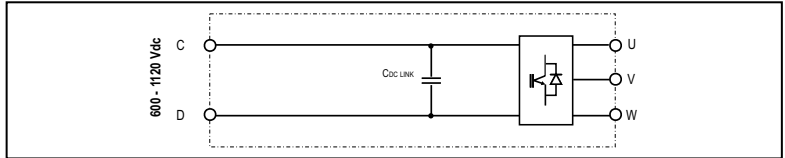
.....

5.1.3 Block diagram power section

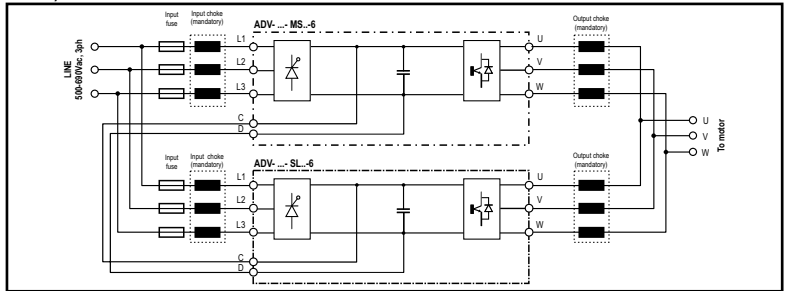
ADV200 WA-72000-...-6... ADV74000-...-6



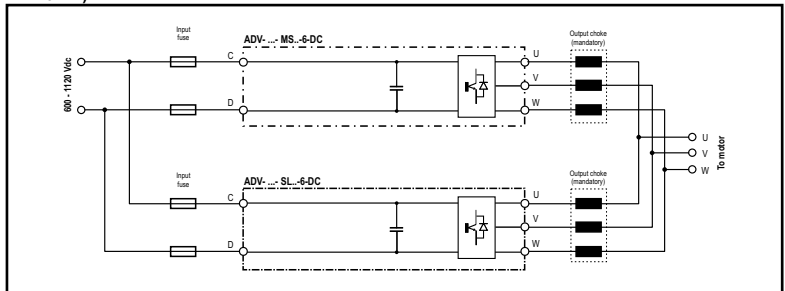
ADV200 WA-72000-...-6-DC ... ADV74000-...-6-DC



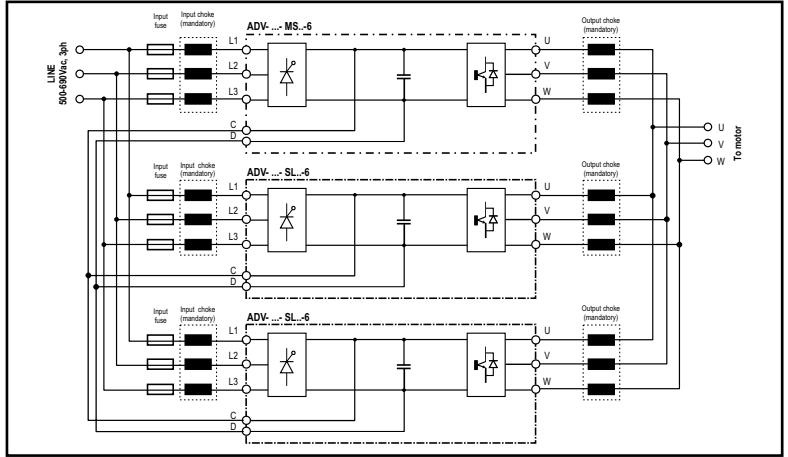
500 ... 800 kW (ADV200 WA-...-6)



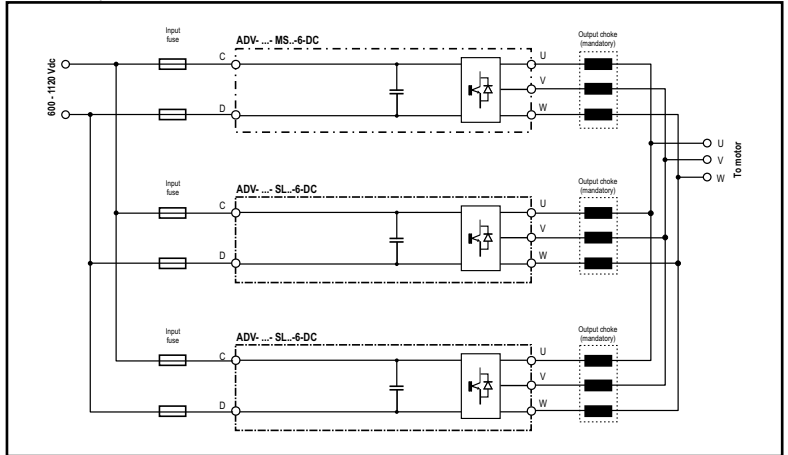
500 ... 800 kW (ADV200 WA-...-6-DC)



1000 ... 1150 kW (ADV200 WA-...-6)



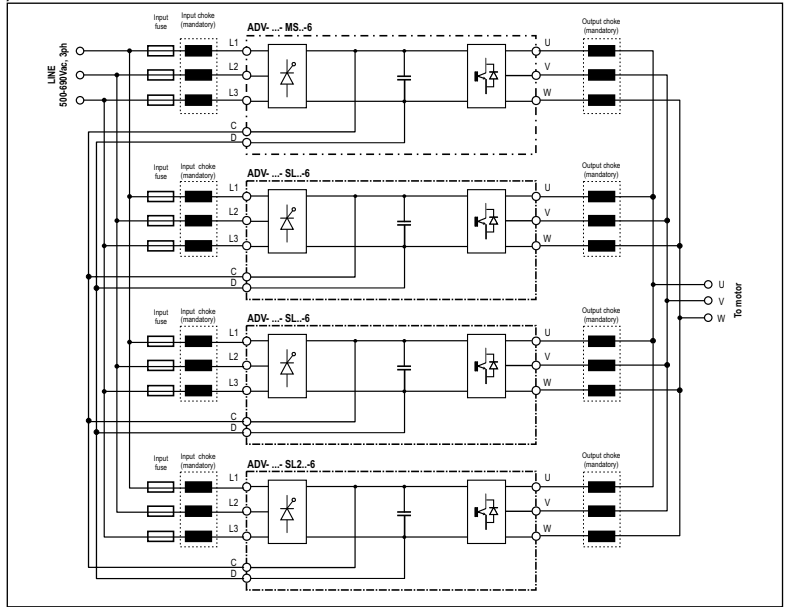
1000 ... 1150 kW (ADV200 WA-...-6-DC)



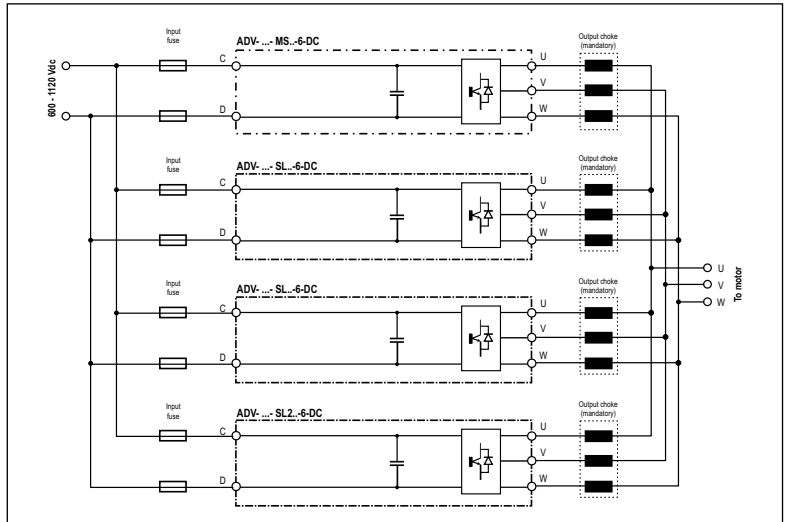
Note!

For size 7 only, internal mounting of fuses (DC side) is possible.

1.5 MW (ADV200 WA-...-6)



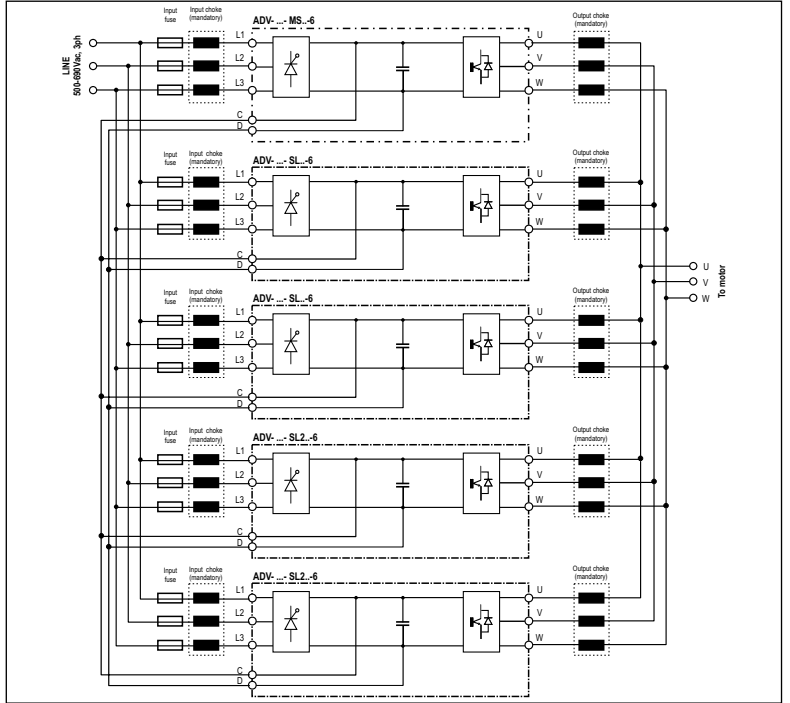
1.5 MW (ADV200 WA-...-6-DC)



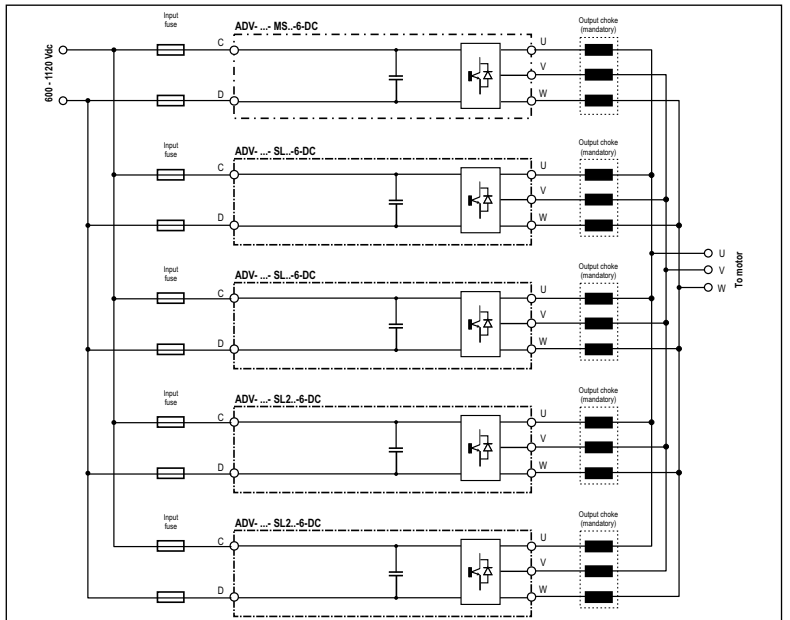
Note!

For size 7 only, internal mounting of fuses (DC side) is possible.

1.8 MW (ADV200 WA-...-6)



1.8 MW (ADV200 WA-...6-DC)

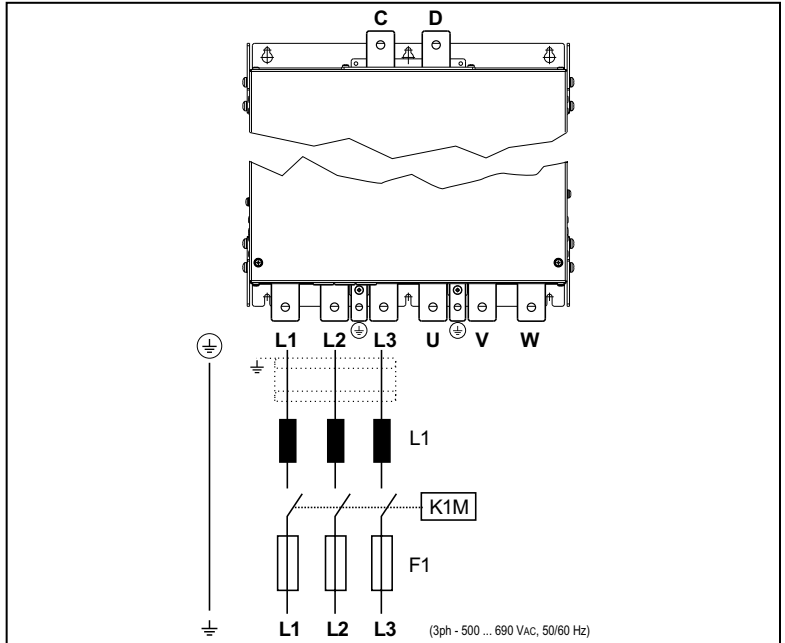


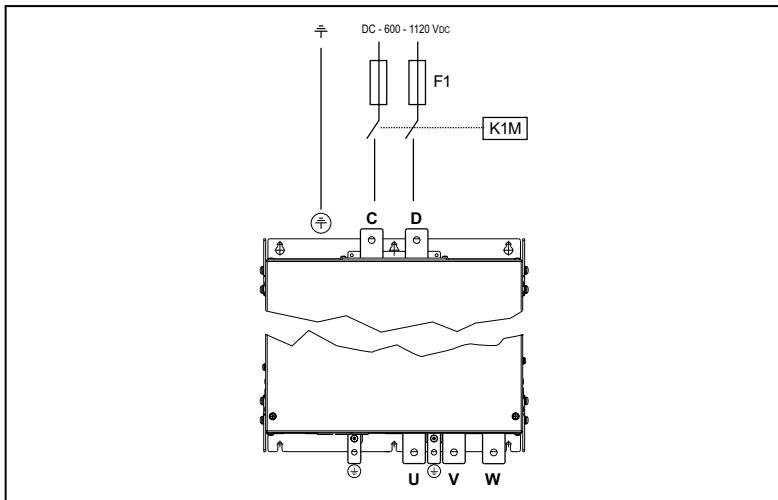
5.1.4 Internal EMC filter

ADV200 WA series inverters are equipped with an internal EMI (except ADV200 WA-...-DC models) filter able to guarantee the performance levels required by EN 61800-3 standard (according to 2nd environment, category C3) with a maximum of 20 meters of shielded motor cable (up to 50 metres for size 5 and above).

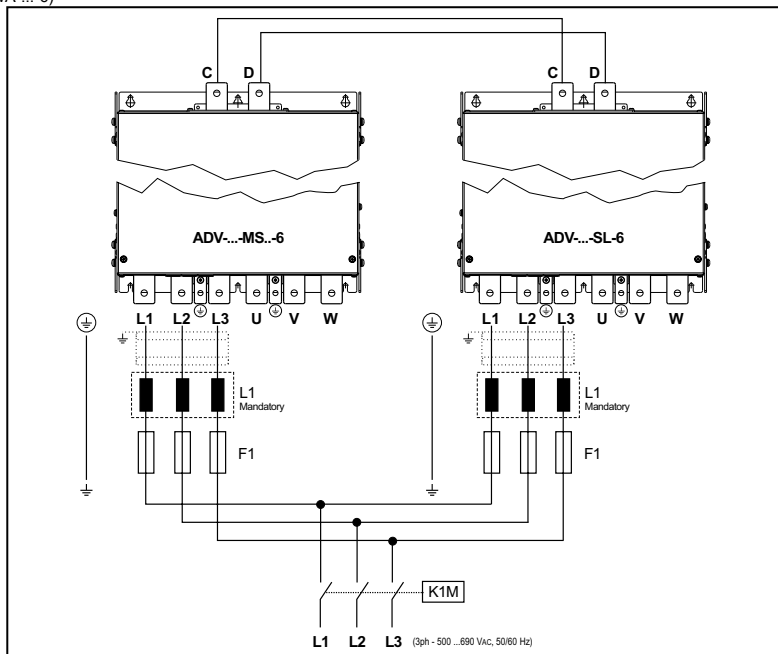
5.1.5 Power line connection

ADV200 WA-72000-6 ... ADV200 WA-74000-6

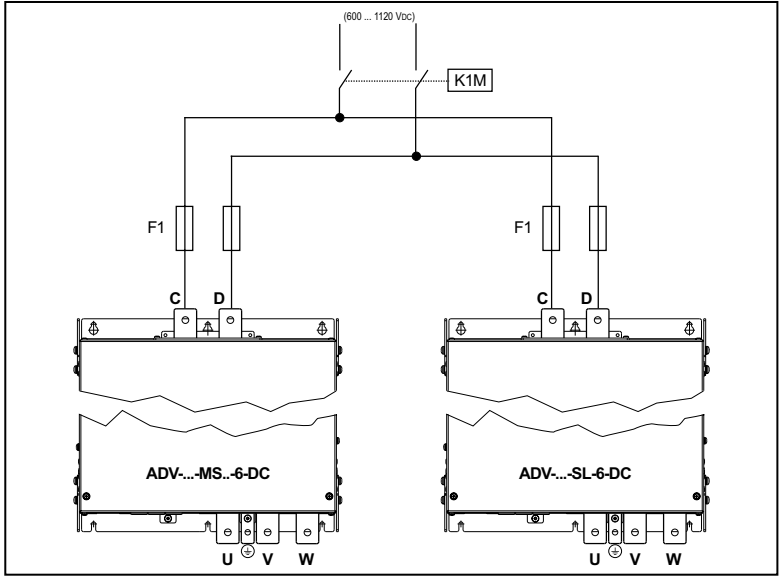




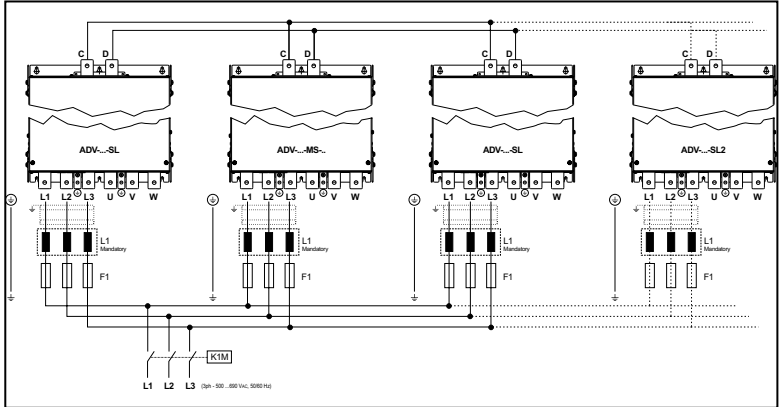
500 ... 800 kW (ADV200 WA-...-6)



500 ... 800 kW (ADV200 WA-...-6-DC)

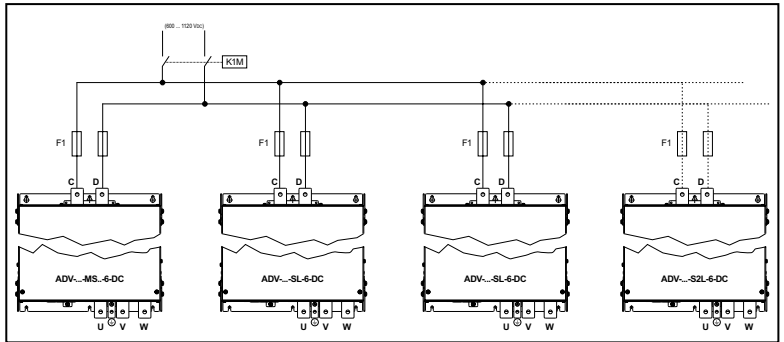


1000 ... 1800 kW (ADV200 WA-...-6)



Note!

- 1 MW: n.1 ADV200-WA-73550-KXX-6-MS 10-., n.2 ADV200-WA-73550-XXX-6-SL-..
- 1.15 MW: n.1 ADV200-WA-74000-KXX-6-MS 12-., n.2 ADV200-WA-74000-XXX-6-SL-..
- 1.5 MW: n.1 ADV200-WA-74000-KXX-6-MS 15-., n.2 ADV200-WA-74000-XXX-6-SL-., n.1 ADV200-WA-74000-XXX-6-SL2-..
- 1.8 MW: n.1 ADV200-WA-74000-KXX-6-MS 18-., n.2 ADV200-WA-74000-XXX-6-SL-., n.2 ADV200-WA-74000-XXX-6-SL2-..



Note!

- 1 MW: n.1 ADV200-WA-73550-KXX-6-MS 10-., n.2 ADV200-WA-73550-XXX-6-SL..
- 1.15 MW: n.1 ADV200-WA-74000-KXX-6-MS 12-., n.2 ADV200-WA-74000-XXX-6-SL..
- 1.5 MW: n.1 ADV200-WA-74000-KXX-6-MS 15-., n.2 ADV200-WA-74000-XXX-6-SL-., n.1 ADV200-WA-74000-XXX-6-SL2-.
- 1.8 MW: n.1 ADV200-WA-74000-KXX-6-MS 18-., n.2 ADV200-WA-74000-XXX-6-SL-., n.2 ADV200-WA-74000-XXX-6-SL2-.

Note!

Recommended combination F1 fuses: see [paragraph "10.1 Optional external fuses", page 120.](#)

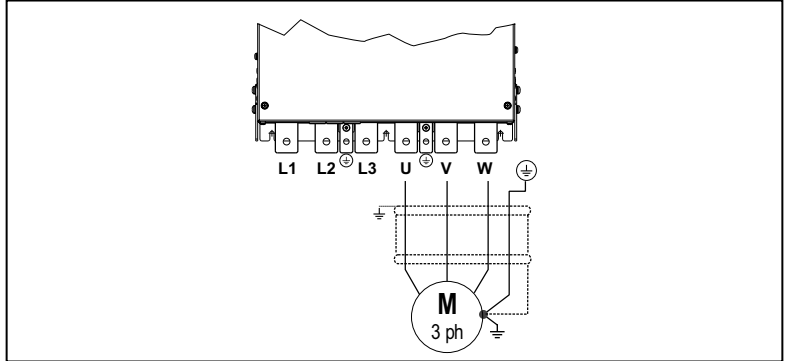
5.1.6 Input mains choke (L1)

Sizes ADV200 WA-72000-6 ... and above: external choke mandatory (for the recommended combination see chapter ["10.2 Choke", page 123.](#)

Sizes ADV-...-DC: not available.

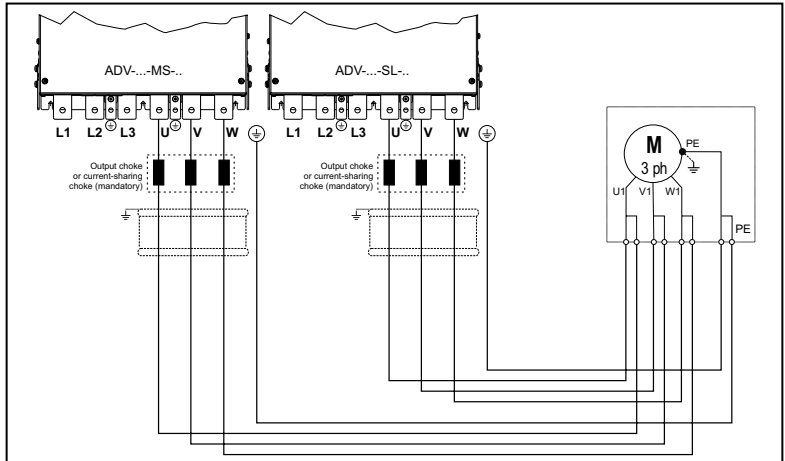
5.1.7 Motor connection

ADV200 WA-72000-6 ... ADV200 WA-74000-6, ADV200 WA-72000-6-DC ... ADV200 WA-74000-6-DC

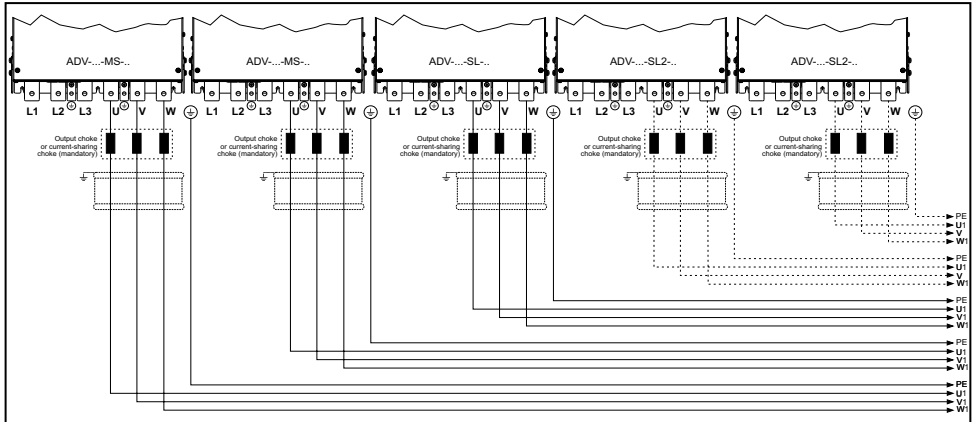


Nota: terminals L1-L2 and L3 are not present in -DC versions.

500 ... 800 kW (ADV200 WA-...-6 and ADV200 WA-...-6-DC)



Nota: terminals L1-L2 and L3 are not present in -DC versions.



Note: terminals L1-L2 and L3 are not present in -DC versions.

Note!

- 1 MW: n.1 ADV200-WA-73550-KXX-6-MS 10-..., n.2 ADV200-WA-73550-KXX-6-SL-...
- 1.15 MW: n.1 ADV200-WA-74000-KXX-6-MS 12-..., n.2 ADV200-WA-74000-KXX-6-SL-...
- 1.5 MW: n.1 ADV200-WA-74000-KXX-6-MS 15-..., n.2 ADV200-WA-74000-KXX-6-SL-..., n.1 ADV200-WA-74000-KXX-6-SL2-...
- 1.8 MW: n.1 ADV200-WA-74000-KXX-6-MS 18-..., n.2 ADV200-WA-74000-KXX-6-SL-..., n.2 ADV200-WA-74000-KXX-6-SL2-...



Output chokes value and their technical characteristics MUST be the same for all the drive power modules.
 All drive-motor cables connections MUST have same length and they have to run in parallel ways.

5.1.8 Braking unit connection (optional)

Note!

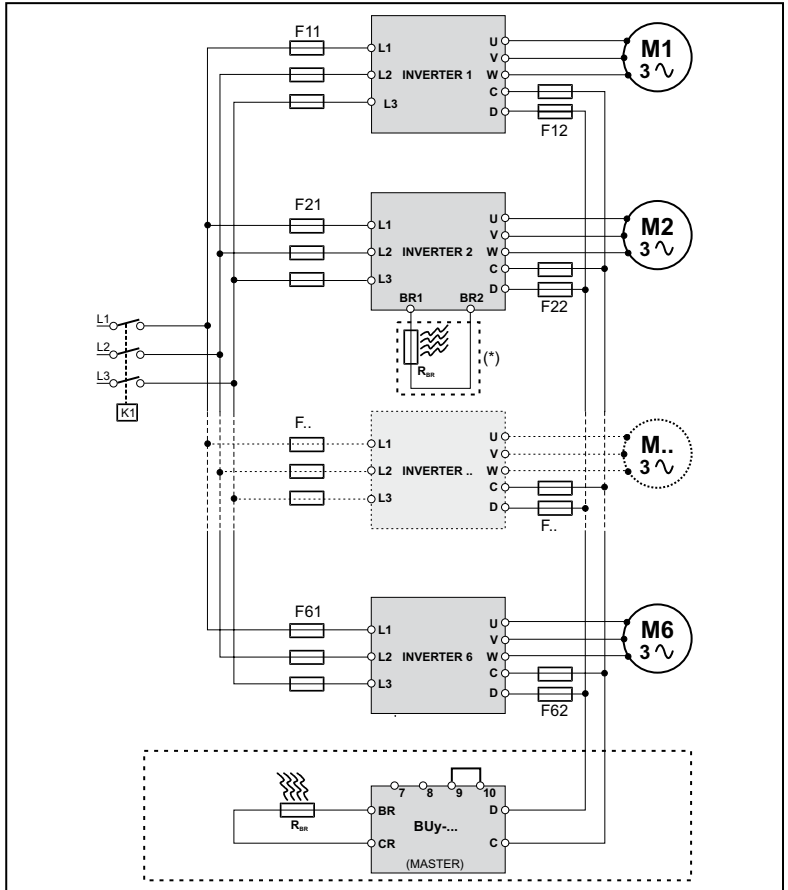
An optional BUy/BU200 braking unit connected to terminals C and D can be used. For further details reference should be made to the BUy/BU200 manual.

You MUST set the parameters for controlling braking resistance overload (MENU 22.6) to detect overheating of the braking resistance. Without this information on the resistance used, you have to monitor the overtemperature switch on the resistance. Overheating may be caused by:

- ramp times too short or braking too long
- wrong braking resistance size
- input voltage too high
- defective braking transistor on inverter or on braking module.

The overtemperature switch can be connected to the auxiliary contacts of the power supply contactor in order to disable the drive in case of failure.

5.1.9 Parallel connection on the AC (Input) and DC (Intermediate Circuit) side of several inverters



- The inverters used have to be all the same size.
- The mains power supply has to be simultaneous for all inverters, i.e. a single switch /line contactor has to be used.
- Such connection is suitable for a maximum of 6 inverters.
- If necessary dissipate braking energy; one (or several) external braking unit BUy/BU200 has to be used.
- Fast fuses (F12...F62) have to be fitted on the dc-link side (C and D terminals) of each inverters (see chapter "10.1 Optional external fuses", page 120).



Caution

(*) Do not connect if external braking units BUy/BU200 is used.

(*) Pas raccorder si l'unité de freinage extérieure BUy/BU200 est utilisée

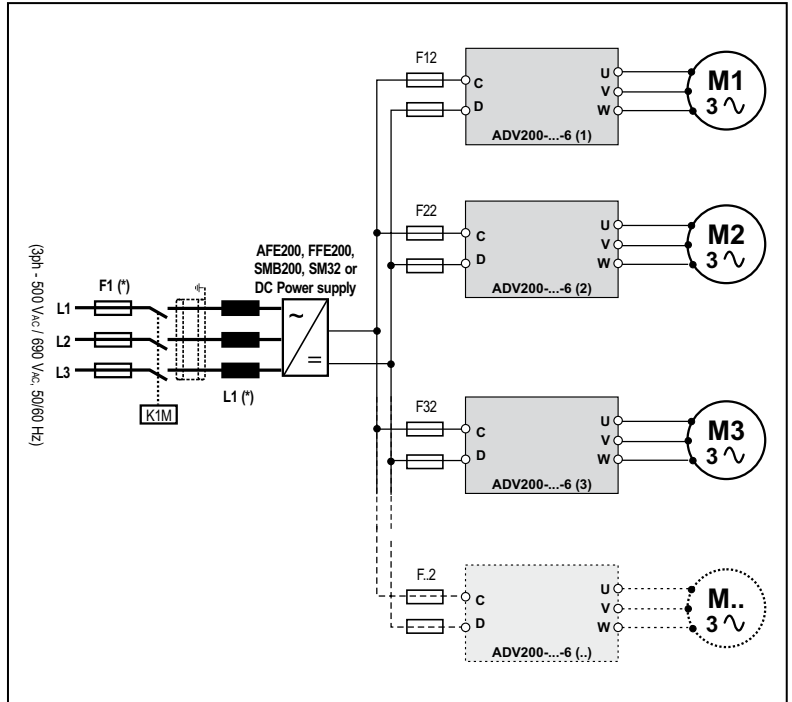
5.1.10 Parallel DC connection



In the case of DC power supply, insertion of an AC mains inductance on the power supply input of the power supply unit **is compulsory** (for the type of inductance, consult the manual of the power supply unit).

AFE200 Power supply unit may supply the DC power supply to the ADV200 WA (≥ 72000) and ADV200 WA-...-DC series.

FFE200 Regenerative power supply unit may supply the DC power supply to the standard ADV200, ADV200 WA-...-DC and ADV200 WA-...-IT series.

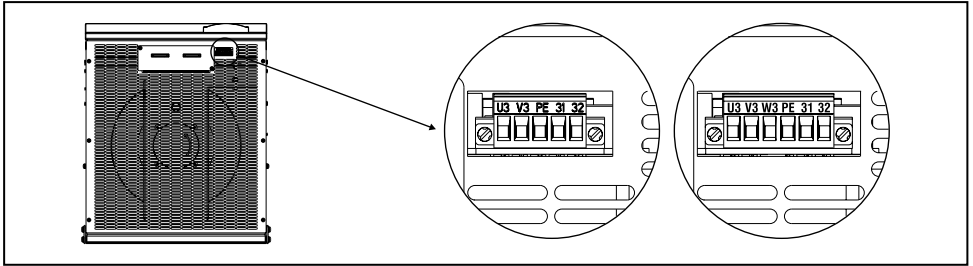


(*) Refer to AFE200, FFE200, SMB200, SM32 or DC Power supply manual.

Nota:

Solo taglia 7: a richiesta predisposizione per montaggio interno fusibili "F12, F22, F32, F.2" (lato DC).

5.1.11 Connection of fans



Terminals	Version before 2009/125/CE (ErP regulation)					
	U3	V3	PE	31	32	
Sizes 72000 ... 73150 500 kW (1) 630 kW (1)	1 x 230V ($\pm 10\%$) 50/60Hz, 2.4A (50Hz) - 3.3A (60Hz)		Ground	250V/10A contact OK fan contact management terminals 31-32: Closed: Internal fan OK and powered; Open: Internal fan in over temperature alarm and/or input power supply not available.		
	Power the internal fan (max 600W) with a single-phase voltage on terminals U3/V3.					
	Type of fan compliant 2009/125/CE (ErP) ADV200 WA starting from S/N 33GC017331					
	U3	V3	W3	PE	31	32
3 x 400V ($\pm 10\%$) 50/60Hz, 1.25/1.65Arms 3 x 460V ($\pm 10\%$) 60Hz, 1.55Arms		Ground	250V/2A contact OK fan contact management terminals 31-32: Closed: Internal fan OK (also with non-powered fan) Open: Internal fan in over temperature alarm			
Power the internal fan (570W @400V, 930W @460V) with a three-phase voltage on terminals U3/V3/W3.						

Terminals	Version before 2009/125/CE (ErP regulation)					
	U3	V3	W3	PE	31	32
Sizes 73550 ... 74000 710 kW (1) 800 kW (1) 1 MW (1) 1.15 MW (1)	3 x 400V ($\pm 10\%$) 50Hz, 1.55Arms or 3 x 460V ($\pm 10\%$) 60Hz, 1.7Arms (2)		Ground	250V/10A contact OK fan contact management terminals 31-32: Closed: Internal fan OK (also with non-powered fan) Open: Internal fan in over temperature alarm		
	Power the internal fan (max 1200W) with a three-phase voltage on terminals U3/V3/W3.					
	Type of fan compliant 2009/125/CE (ErP) ADV200 WA starting from S/N 33GN071493					
	U3	V3	W3	PE	31	32
3 x 380...480V ($\pm 10\%$) 50/60Hz, 1.9 ... 1.7 Arms		Ground	250V/10A contact OK inverter fan contact management terminals 31-32: Closed: Inverter fan OK and powered; Open: Inverter fan in alarm or not supplied.			
Power the internal fan (max 1200W) with a three-phase voltage on terminals U3/V3/W3.						

(1) for each module.

(2) ADV200 WA-73550-KXX-6A and ADV200 WA-74000-KXX-6A models.



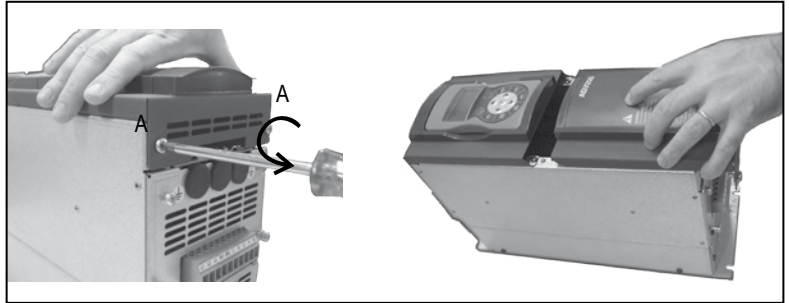
Make sure the sequence of the three-phase fan power supply phases is the same as that shown on the relative drive terminals. If not, the air flow will be inadequate to ensure correct cooling and it could cause Overtemperature alarm.

5.2 Regulation section

5.2.1 Removing the terminal cover



When removing the covers be careful to lateral metal sheet enclosure. Presence of sharp edges are possible.

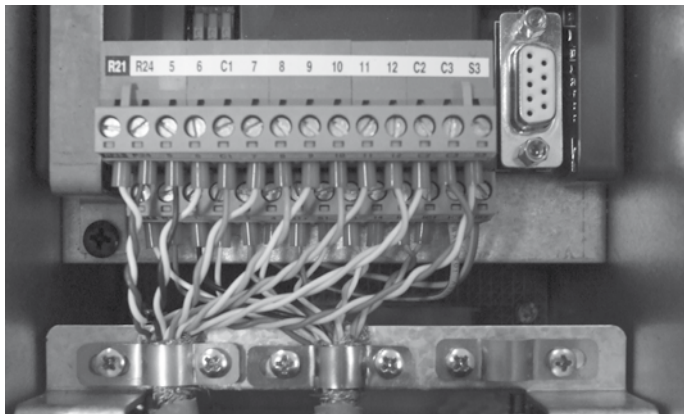


5.2.2 Cable Cross Section

Terminal strips (Regulation card)	Maximum Cable Cross Section		Recommended stripping (mm)	Tightening torque (min) (min) (Nm)
	(mm ²)	(AWG)		
	0.2 ... 2.5	24 ... 12	7	0.5

5.2.3 Regulation section connection

Figure 5.2.3.1: Regulation shielding



For shielding of the regulation section (recommended), fasten the shield of the cables to the omega sections (see figure above).

Table 5.2.3.1: Regulation terminals

Strip T2 (top)			
Terminal	Designation	Function	Max
R21	COM Digital output 2	Common reference for digital output 2 (Relay 2)	-
R24	Digital output 2	Programmable digital relay output 2 (NO). Default = Drive ready	250 Vac - 30 Vdc / 2A
5	Analog output 1	Analog output 1. Default = Null (not assigned)	±12,5 V (typical ±10 V / 5 mA)
6	Analog output 2	Analog output 2. Default = Null (not assigned)	- voltage (default): ±12,5 V (typical ±10V/5mA) - current (set by S3 switch): 0...20mA or 4...20mA (setting by PAR 1848, 15 - ANALOG OUPUTS menu)
C1	COM Analog output	Common reference for analog outputs and ±10V potential voltage reference	-
7	Digital input E	Digital input E . Default = Digital input E mon (Enable)	5mA @ +24V (+30V max)
8	Digital input 1	Digital input 1 . Default = FR forward src, PAR 1042	5mA @ +24V (+30V max)
9	Digital input 2	Digital input 2 . Default = FR reverse src, PAR 1044	5mA @ +24V (+30V max)
10	Digital input 3	Digital input 3 . Default = Null (not assigned)	5mA @ +24V (+30V max)
11	Digital input 4	Digital input 4 . Default = Null (not assigned)	5mA @ +24V (+30V max)
12	Digital input 5	Digital input 5 . Default = Fault reset src	5mA @ +24V (+30V max)
C2	COM Digital inputs	Common reference for digital inputs	-
C3	0V 24 OUT	Reference point for +24V OUT	-
S3	+ 24V OUT	+24V supply for IO	150 mA (Resettable fuse), ±10 %

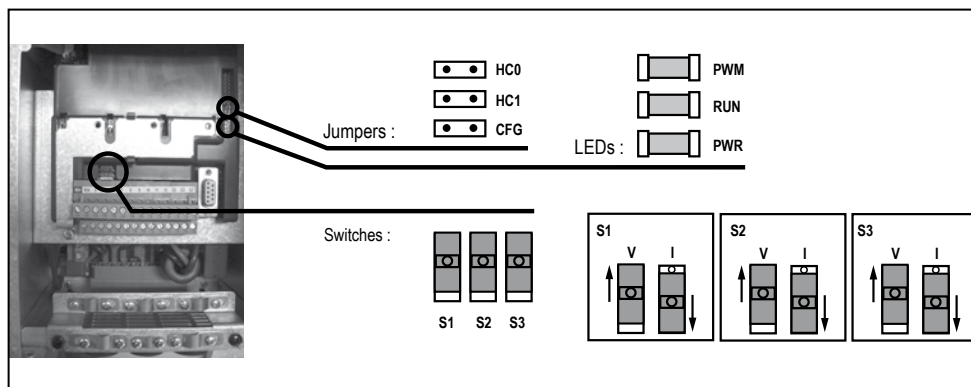
Strip T1 (bottom)			
Terminal	Designation	Function	Max
R11	COM Digital output 1	Common reference for digital output 1 (Relay 1)	-
R14	Digital output 1	Programmable digital relay output 1 (NO). Default = Drive OK	250 Vac - 30 Vdc / 2A
1	Analog input 1	Programmable / configurable analog differential input. Signal: terminal 1. Reference: terminal 2. Default = Ramp ref 1 src	- voltage (default): ±12,5 V (typical ±10V/1mA)
2			- current (set by switches S1-S2): 0...20mA or 4...20mA (set by PAR 1502 or 1552, 14 - ANALOG INPUTS menu)
3			- input impedance = 10 kΩ
4	Analog input 2	Programmable / configurable analog differential input. Signal: terminal 3. Reference: terminal 4. Default = Not used	
S1+	+10 V	Voltage reference +10V; reference point: C1 terminal	+10 V ±1% / 10 mA
S1-	-10V	Analog output -10V; reference point: C1 terminal	-10 V ±1% / 10 mA
13	Digital output 3	Digital output 3. Default = Speed is 0 delay	+24 V / 20 mA (typ), 40 mA (max)
14	Digital output 4	Digital output 4. Default = Ref is 0 delay	+24 V / 20 mA (typ), 40 mA (max)
IS1	PS Digital output	Digital outputs 3 / 4 power supply	-
IC1	COM Digital output	Common reference for digital outputs 3 / 4	-
IC2	0V 24 EXT	Reference for regulation card 24V external supply	-
IS2	+ 24V EXT	External supply of regulation card	+24V ±10% / 1A



.....
+24Vdc voltage, which is used to externally supply the regulation card has to be stabilized and with a maximum ±10% tolerance. The maximum absorption is 1A.
It is not suitable to power supply the regulation card only through a unique rectifier and capacitive filter.

La tension de +24Vdc utilisée pour alimenter extérieurement la carte de régulation doit être stabilisée avec une tolérance de ±10% ; absorption maximum de 1A. Les alimentations obtenues avec les seules redresseur e filtre capacitive ne sont pas appropriées.
.....

5.2.4 Switches, jumpers and LED



Switch	V/I settings on inputs and analog output
S1	Analog input 1 Default = voltage (± 10 V)
S2	Analog input 2 Default = voltage (± 10 V)
S3	Analog output 2 Default = voltage (± 10 V)

LEDs	Function
PWM (green)	LED lit during IGBT modulation
RUN (green)	Flashes (freq. 1 sec) if no errors or faults have occurred. If ON or OFF, indicates an error conditions (software hangup)
PWR (green)	ON when the regulation card is correctly powered

Jumpers	Function
HC0 HC1	Reserved. Default = Open
CFG (1)	Open = 690V/50Hz rated voltage (default) Closed = 690V/50Hz rated voltage (ADV-5... and ADV-6... sizes) (3) 575V/60Hz rated voltage (ADV-7... sizes) (2)

- (1) Need to be verified the setting of the **Unvoltage** alarm threshold
For drive size 7 and parallel units, Threshold can be selected thru S1 switch (mounted on R-PSM board). This selection has to be the same of parameter PAR 560.
- Drive is automatically set for EU configuration (690V/50Hz). Parameter 460 will show 0 : EU (default configuration).
 - Drive is automatically set for USA configuration (2) (3). Parameter 460 will show 1 : USA.

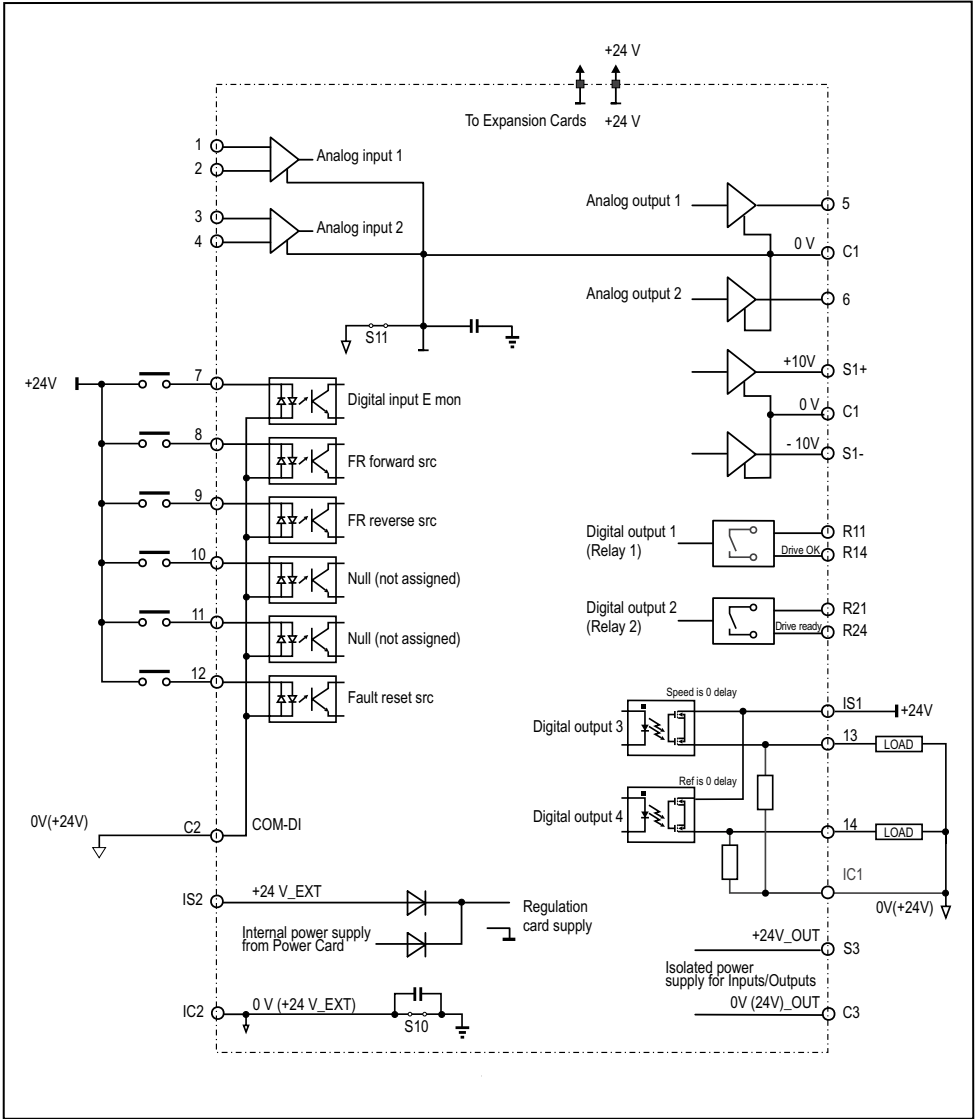


Figure 5.2.4.1: Potentials of the control section, Digital I/O PNP connection

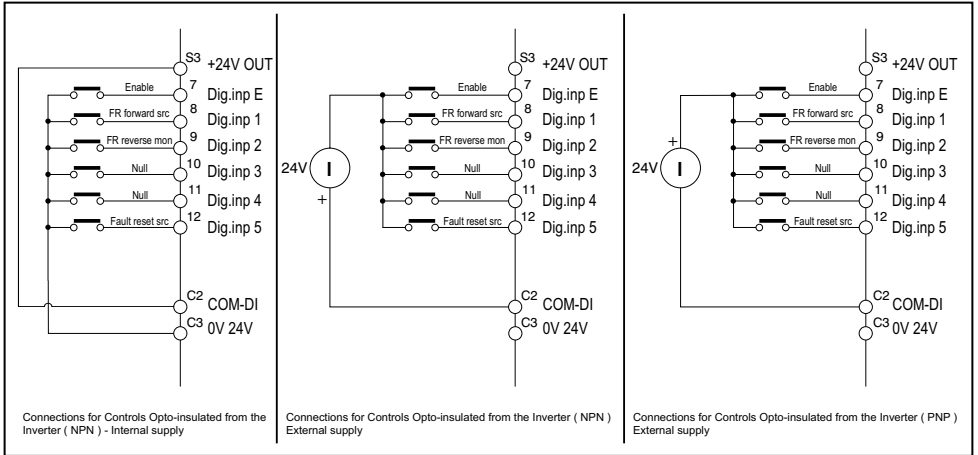


Figure 5.2.4.2: Other inputs connections (NPN-PNP)

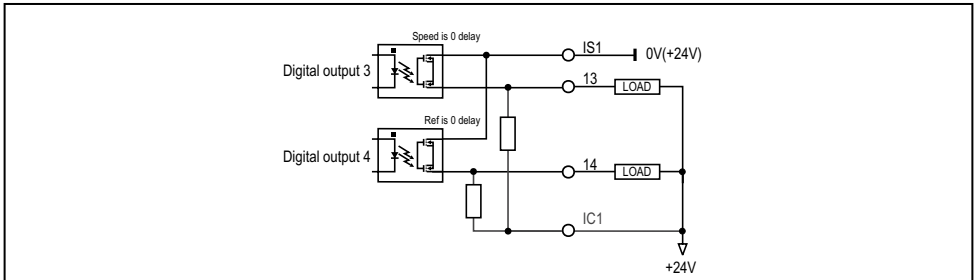


Figure 5.2.4.3: NPN outputs connection

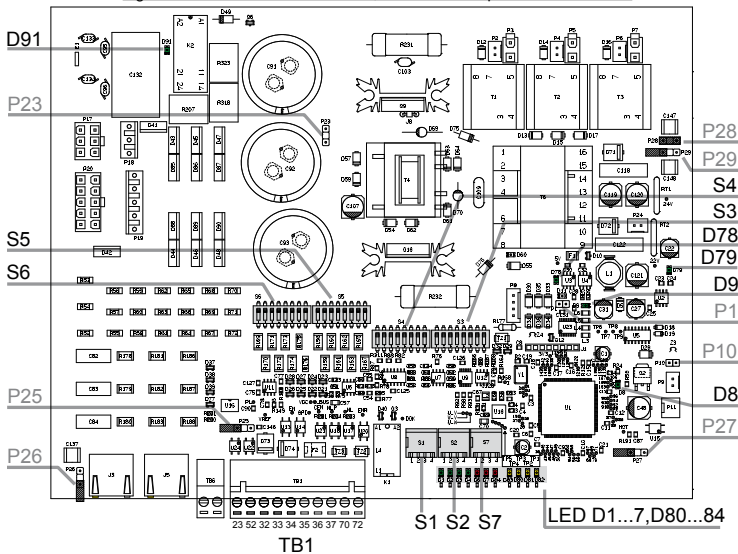
5.2.5 R-PSM pre-charge card (only for sizes ≥ 72000)

Starting from ADV200 WA power size $\geq 200\text{KW}$, the R-PSM card is used to control the pre-charge circuit on the power supply module. When the pre-charge circuit is connected to the mains (terminals L1 – L2 – L3), the R-PSM regulation card generates the internal power supplies needed for operation. Therefore, additional external power supplies are unnecessary.

If an UNDERVOLTAGE alarm is detected when the SCR bridge is enabled, the pre-charge ramp can be repeated only after 300ms, the time needed for the phase loss circuit to confirm that normal Mains conditions have been restored.



Figure 5.2.5.1: Position of Switches, LEDs and Jumpers on R-PSM card



5.2.5.1 Input/Output R-PSM Regulation card

The switches and jumpers on the R-PSM card are factory-set.

If the module is used according to its standard power supply characteristics:

- ADV200 WA-...-4 = 400VAC / 50Hz
- ADV200 WA-...-6 = 690VAC / 50Hz

the settings should not be changed.

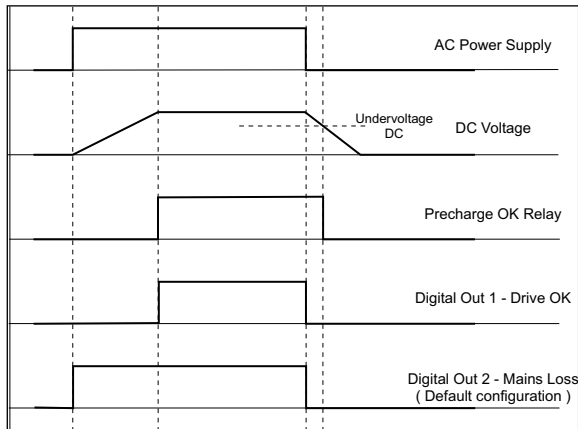
In case of non-standard power supply, see the configuration tables shown further below.

Table 5.2.5.1: TB1 terminal strip on R-PSM

Terminal	Designation	Function	Electrical specifications
23	ENABLE	ENABLE digital input of the pre-charge control	5mA @ +24Vdc (+20% max, -20% min)
52	ENABLE in COM	ENABLE common digital input	
32	Digital Out 1	Drive OK	24V / 20mA typ (40mA max)
33	Dig Out Com	Common Digital Out 1 and Digital Out 2	-
34	0V24 Out	Reference point for power supply	-
35	+24V Out	Power supply output	150mA resettable fuse
36	Digital Out 2	Digital output : Factory preset as Mains Loss	24V / 20mA typ (40mA max)
37	Dig Out Supply	Power supply for digital outputs	-
70, 72	Relay 1	Factory preset as Precharge OK	250Vac - 30Vdc - 0,5A

Terminal strip TB1			
Cable Cross Section (flexible conductor)		Recommended stripping (mm)	Tightening torque (min) (Nm)
(mm ²)	AWG		
0,2 ... 2,5	24 ... 12	7	0,5

5.2.5.2 Behavior of Pre-charge OK Relay-Digital Out 1, Digital Out 2 at “PowerOn” and “PowerOff”



Relay 1 – Precharge OK (factory setting)

The relay between terminals 70 – 72 closes at the end of the pre-charge phase and opens when DC voltage drops below the DC Undervoltage threshold. Wiring of the OK relay contact (70 - 72) in series with the Enable chain of the ADV200 WA regulation card is recommended

Digital Out 1 – Drive OK

Digital output 1 connected to terminal 32 goes high at the end of the pre-charge phase and goes low under one of the following conditions:

- power failure
- lack of a power supply phase
- mains frequency out of range ($> \pm 5\%$). This condition occurs only during the

- power-on phase.
- presence of Enable command at terminal 23.

Digital Out 2 – Mains Loss (factory setting)

Digital output 2 connected to terminal 36 goes high at Power On and goes low under one of the following conditions.

- power failure;
- lack of a power supply phase.

5.2.5.3 R-PSM card configuration switches

The jumpers and switches on these cards are factory-set. **If the module is used according to its standard power supply characteristics the settings should not be changed.**

The R-PSM card has three 4-position configuration switches.

The following tables show all of the permitted combinations.

Legenda:

0 OPEN

1 CLOSE

(*) Default setting for models ADV200 WA-...-4,

(**) Default setting for models ADV200 WA-...-6

Setting for ADV200 WA with R-PSM card hardware revision “F” and higher

S1 - Mains voltage configuration switches						
Mains voltage	DC undervoltage trip threshold	DC undervoltage return threshold	S1-1	S1-2	S1-3	S1-4
[Vac]	[Vdc]	[Vdc]				
380	330	370	1	0	0	0
400 (*)	330	370	0	1	0	0
415	361	401	1	1	0	0
440	383	423	0	0	1	0
460	400	440	1	0	1	0
480	417	457	0	1	1	0
500	435	475	1	1	1	0
575	500	540	0	0	0	1
690 (**)	600	640	1	0	0	1

Setting for ADV200 WA with R-PSM card hardware revision “E” and lower

S1 - Mains voltage configuration switches						
Mains voltage [Vac]	DC undervoltage trip threshold [Vdc]	DC undervoltage return threshold [Vdc]	S1-1	S1-2	S1-3	S1-4
380	372	412	1	0	0	0
400 (*)	392	432	0	1	0	0
415	407	447	1	1	0	0
440	431	471	0	0	1	0
460	451	491	1	0	1	0
480	470	510	0	1	1	0
500	490	530	1	1	1	0
575	563	603	0	0	0	1
690 (**)	676	716	1	0	0	1

The correct selection of mains voltage is very important for correct setting of UNDERVOLTAGE limits.

The same value set has to be carried out on PAR560 (DRIVE CONFIG MENU).

S2 - Mains frequency configuration switch	
Mains frequency [Hz]	S2-1
50 (*)	0
60 (**)	1

An incorrect mains frequency setting will disable the control card: the mains frequency tolerance is $\pm 5\%$.

S2 – Switch configurazione tempi di Pre-carica				
Selection of pre-charge time for 50Hz line [s]	Selezione del tempo di Pre-carica per rete 60Hz [s]	S2-2	S2-3	S2-4
17.4	24.1	0	0	0
11.6 (*)(**)	12.1	1	0	0
8.7	8	0	1	0
6.9	6	1	1	0
5.0	4.8	0	0	1
3.5	3.4	1	0	1
2.7	2.7	0	1	1
1.9	2	1	1	1

Switch S2-2...4 lets you set the pre-charge time for the capacitors connected to the DC link.

The default configuration calls for a time of 11.6[s] for a 50[Hz] line and 12.1[s] for a 60[Hz] line.

Remember that with equal levels of energy to be transferred to the condenser bank, decreasing the precharge time increases the current draw.

The rectifier bridge and pre-charge inductance are sized for maximum peak current of 400[Apk].

Considering that with decreased pre-charge time the increased current is not linear, and that the larger the capacitors bank connected to the DC Link the greater the energy to be transferred, if you need a pre-charge time shorter than the default configuration you have to run the following check procedure:

- 1) Keep the default configuration of switches S2-2...4 and connect an current probe to output C or D of the ADV200 WA module. The probe must be able to measure a peak current ≤ 10 [ms].
- 2) Power and enable the pre-charge bridge by measuring the value of the peak current absorbed.
- 3) Cut power to the pre-charge bridge and wait for the DC Link to discharge completely (discharge time depends on the total capacitance installed on the DC Link).
- 4) Set the switches to have a pre-charge time of 8.7[s] (8[s] for 60[Hz] line).
- 5) Repeat point 2). If the peak current measured is below 400[Apk] you can further reduce the pre-charge time. In this case, run the entire procedure again until you reach the required pre-charge time.

S7-1...3 – Dig Out 2 configuration switch	S7-1	S7-2	S7-3
No Mains Loss or Phase Loss (*) (**)	0	0	0
Mains Loss alarm	1	0	0
Phase Loss alarm	0	1	0
Drive OK (excluded UV alarm)	1	1	0
Heatsink OT alarm	0	0	1
SCRs pulses enabled	1	0	1
Precharge ramp finished	0	1	1
Undervoltage alarm	1	1	1

The configurable output goes high when the condition indicated in the table occurs.

S7-4 -Function exchange between Relay 1 and Digital Out 2	
Function	S7-4
Factory preset	0 (*) (**)
Function exchanged between Relay 1 and Digital Out 2	1

5.2.5.4 Jumpers

The configuration of the configuration Jumpers can be changed ONLY by WEG personnel. Unauthorized changes will invalidate the warranty.

Jumper	Function	Default
P1	FPGA manual reset	OPEN
P10	Disables heatsink overtemperature monitor	CLOSE
P23	Enables function of 230VAC line power supply	OPEN
P25	Internal use	OPEN
P26	Connects J3 shield with ground	OPEN
P27	Connects 0V control with OV_24 I/O	OPEN
P28	Grounds 0V control	CLOSE
P29	Grounds 0V_24 I/O	CLOSE

Note!

For the position of the Jumpers, see "Figure 5.2.5.1: Position of Switches, LEDs and Jumpers on R-PSM card" .

5.2.5.5 Leds on R-PSM card

LED	Color	"MONITOR" function
D9	GREEN	+3V3 logic power
D78	GREEN	+5V logic power
D79	GREEN	+22V driver power
D91	BLUE	Presence of DC-Link voltage
LED	Colore	"SIGNAL" function
D1	GREEN	DC-Link voltage above UNDERVOLTAGE limit
D2	GREEN	Power supply enabled
D3	GREEN	Not used
D4	GREEN	Power supply OK (no alarms – excluding UV)
D6	RED	Phase loss or Main loss alarm
D7	RED	Heatsink overtemperature alarm
D8	GREEN	FPGA configuration in progress
D84	RED	Wrong line frequency alarm
LED	Color	"POWER SUPPLY STATE" functions
D83	YELLOW	Bit S0: codes STATE of power supply (LSB)
D80	YELLOW	Bit S1: codes STATE of power supply
D81	YELLOW	Bit S2: codes STATE of power supply (MSB)
D82	YELLOW	SCR bridge enabled

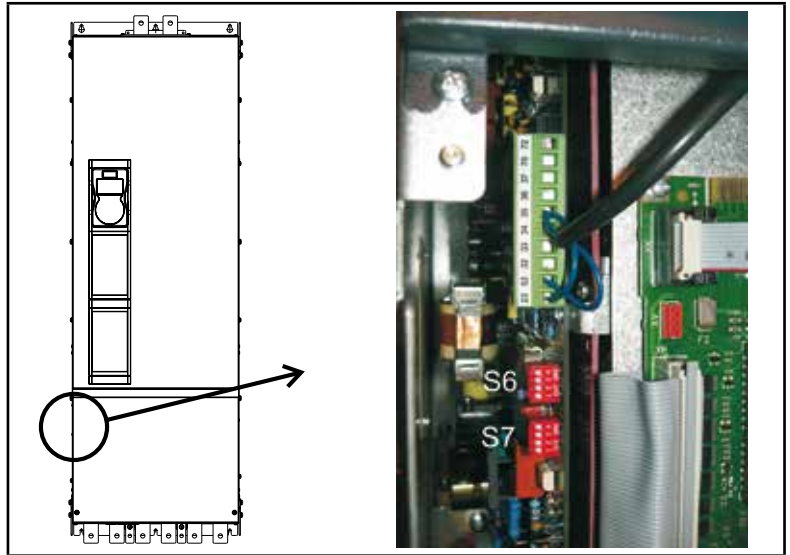
Note!

For the position of the Jumpers, see "Figure 5.2.5.1: Position of Switches, LEDs and Jumpers on R-PSM card" .

5.2.6 R-SM3-ADV pre-charge card (only for sizes ≥ 72000)

Pre-charge card for drive S/N previous than S/N:34GG044151 (September 2014).

Figure 1: Terminals location



Terminals	Function	Voltage / Current
23	Input of the precharge enable control	(15 - 35V, 5 - 11mA)
32	Output of the MLP static signal (low - active signal)	(5 ... 35V, 20mA source)
33	(Common) Ground of the MLP and ML static signals	-
34	Reference point for Power supply +24V	-
35	Power supply output +24V	(32V / 300mA max)
36	Output of the ML signal (low - active signal)	(5 ... 35V, 20mA max sink)
37	Power supply of the ML and MLP signals	(35V max)
52	(Common) Ground of the precharge enable control	-
70, 72	OK Relay	(max 250VAC, 1A – AC11)

Note!

.....
 The jumpers shown are factory-wired.

Wiring of the OK relay contact (70 - 72) in series with the Enable chain of the ADV200 WA regulation card is recommended.

.....

Dip-switch and Jumper

S6 - S7 Selection of the AC mains frequency: 50 or 60 Hz

AC Mains frequency	S6-1...4	S7-1...4
50 Hz (Default)	OFF (50 Hz)	OFF (50 Hz)
60 Hz	ON (60 Hz)	ON (60 Hz)

Control description

- OK RELAY

The OK relay has a normally open contact which close at the end of the precharging phase if no alarm condition is present (overtemperature, power supply on the regulation card $\pm 15V$).

The contact is closed during the normal functioning of the device and also during an undervoltage situation. The contact opens when a failure occurs (see the alarm conditions described above) or when the power supply is switched off and the DC-LINK is completely discharged (C and D terminals).

5.3 Braking

There are various possible types of braking:

- via external braking unit (BUy-6 or BU200-6, usable for all sizes),
- injection of direct current from the Inverter into the motor (DC braking),
- through a special overflux function (AC braking) available if V/F control is selected.

The various possibilities have the following key difference:

- Using a braking unit or the AC braking function it is possible to control a speed reduction (for example from 1000 to 800rpm) while the DC braking can only be used to stop the motor.
- Using a braking unit the energy is dissipated into heat in the braking resistor
- Using the AC braking function or the DC braking function, the energy is dissipated into heat in the motor windings (resulting in a further rise in the motor temperature)
- By using the AC braking function in place of the DC braking, the braking action is more efficient (more braking capability) and allows to maintain the same speed control without introducing operational discontinuities. It means that the AC braking allows the machine to change quickly its behavior from motorizing to braking when required.

5.3.1 Braking unit

Frequency-regulated asynchronous motors during hyper-synchronous or regenerative functioning behave as generators, recovering energy that flows through the inverter bridge, in the intermediate circuit as continuous current.

This leads to an increase in the intermediate circuit voltage.

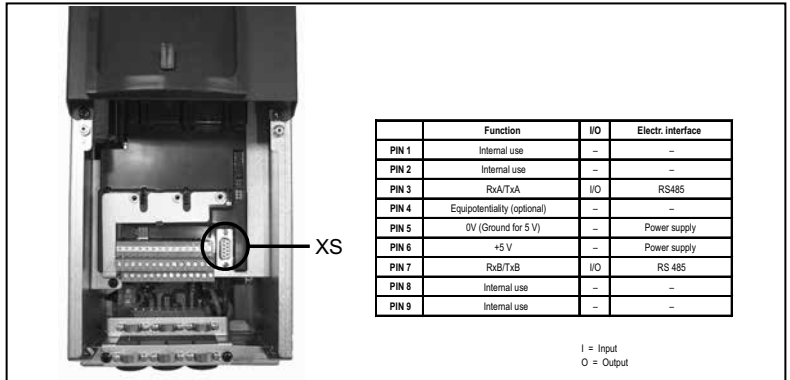
Braking units (external BUy-6 or BU200-6) are therefore used in order to prevent the DC voltage rising to an impermissible value. When used, these activate a braking resistor (external to drive) that is connected in parallel to the capacitors of the intermediate circuit. The feedback energy is converted to heat via the braking resistor (RBR), thus providing very short deceleration times and restricted four-quadrant operation.

Note!

||||| An optional BUy/BU200 braking unit connected to terminals C and D can be used. For further details reference should be made to the BUy/BU200 manual. |||||

Recommended combination braking resistors: see chapter "10.5 Braking resistor (optional)", page 133. |||||

5.4 Serial interface (XS connector)



The ADV200 WA drive is equipped as standard with a port (9-pin D-SUB receptacle connector: **XS**) for connection of the RS485 serial line used for drive/PC point-to-point communication (through the WEG_eXpress configuration software) or for multi-drop connection.

To access the connector, remove the lower cover as illustrated in shown in [paragraph 5.2.1](#).

5.4.1 Drive / RS 485 Port (not insulated) point-to-point connection



.....
 The connection indicated is without galvanic insulation !

Le raccordement indiqué n'a pas d'isolation galvanique !

.....

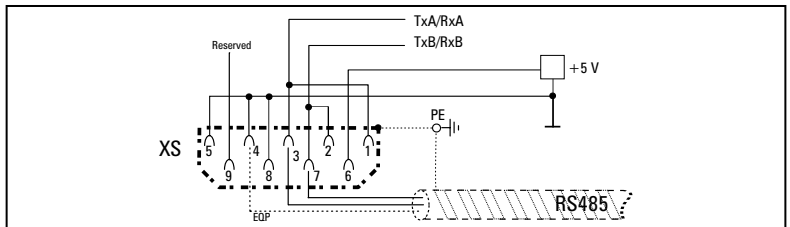


Figure 5.4.1.1: Serial connection (not insulated)

A twin-pair consisting of two symmetrical conductors, spiral wound with a common shield plus the bonding connection cable, connected as shown in the figure, must be used for connection. The transmission speed is 38.4 kBaud.

For connection of the RS485 serial line to the PC, see the figure below.

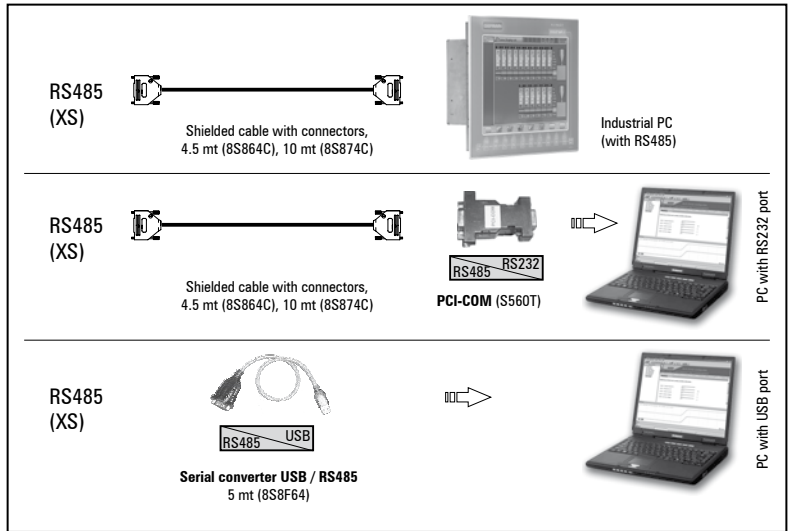


Figure 5.4.1.2: RS485 connection to the PC

Connection of an industrial PC with RS485

The following are required for connection:

- shielded cable for the **XS / RS485** connection (see figure 5.4.1.2), code 8S864C (L=4.5 mt) or 8S874C (L=10 mt).

Connection to a PC with RS232 port

The following are required for connection:

- an optional **PCI-COM** (or PCI-485) adapter, code S560T.
- shielded cable for **XS / PCI-COM** (or PCI-485) connection, code 8S864C (L=4.5 mt) or 8S874C (L=10 mt), see figure 5.4.1.2 .

Connection to a PC with USB port

The following is required for connection: optional adapter **USB/ RS485**, code 8S8F64, see figure 5.4.1.2 .

5.4.2 Drive / RS485 port point-to-point connection (with insulation)

To make the connection with galvanic isolation, the **OPT-RS485-ADV** optional card is required.

The card is equipped with a 9-pin D-SUB male receptacle connector which must be inserted in the **XS** connector of the ADV200 WA drive.

Connect terminals 1, 2 and 4 to the serial line as shown in the figure below; for the connection from the serial line to the PC, the adapters indicated in paragraph 5.4.1 must be used.

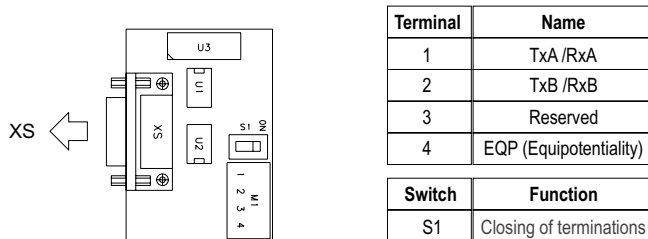


Figure 5.4.2.1: OPT-RS485-ADV card

5.4.3 RS 485 multi-drop connection

For the multi-drop connection, the **OPT-RS485-ADV** optional card must be installed on each drive; the ends of the connection must have **S1** termination switch set to ON (for point 3: ON only on the first).

The multi-drop connection is always galvanically insulated.

Up to 20 drives can be connected; the maximum length of the connection is 200 meters.

1) Multidrop connection between ADV200 WA and an industrial PC with RS485 output

See figure 5.4.3.1. The connection requires:

- an optional **OPT-RS485-ADV** card for each ADV200 WA,
- shielded wires to connect the **OPT-RS485-ADV** to the PC.

2) Multidrop connection between ADV200 WA and a PC with RS232 output

See figure 5.4.3.2. The connection requires:

- an optional **OPT-RS485-ADV** card for each ADV200 WA,
- shielded wires to connect the **OPT-RS485-ADV** to the PC, and an optional **PCI-COM** adapter (code S560T).

3) Multidrop connection between ADV200 WA and a PC with USB output

See figure 5.4.3.3. The connection requires:

- an optional **OPT-RS485-ADV** card for each ADV200 WA,
- a **USB-RS485** Serial converter interface (8S8F60).

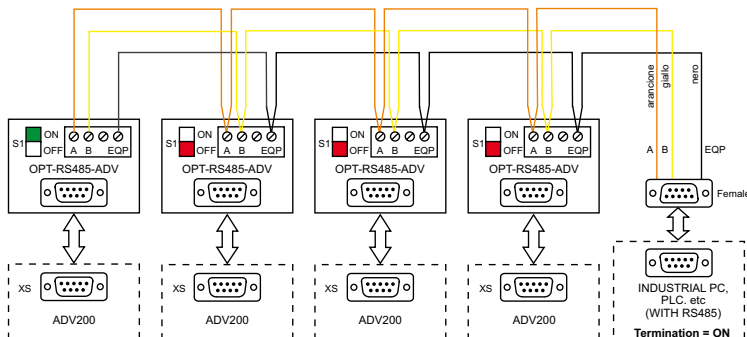


Figure 5.4.3.1: Example of Multidrop connection between ADV200 WA and an industrial PC with RS485 port

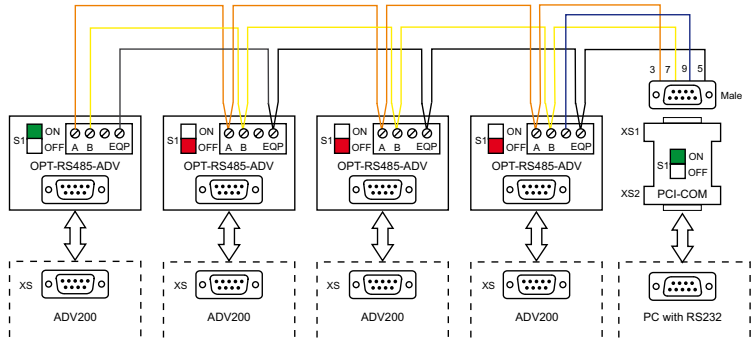


Figure 5.4.3.2: Example of Multidrop connection between ADV200 WA and a PC with RS232 port

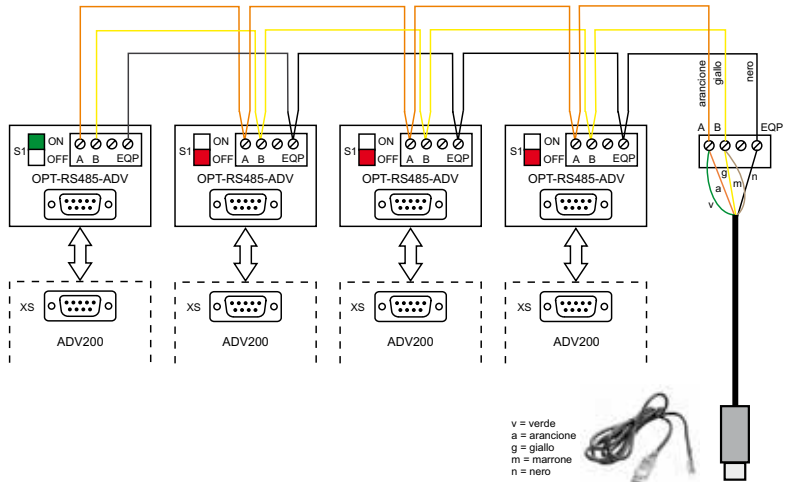
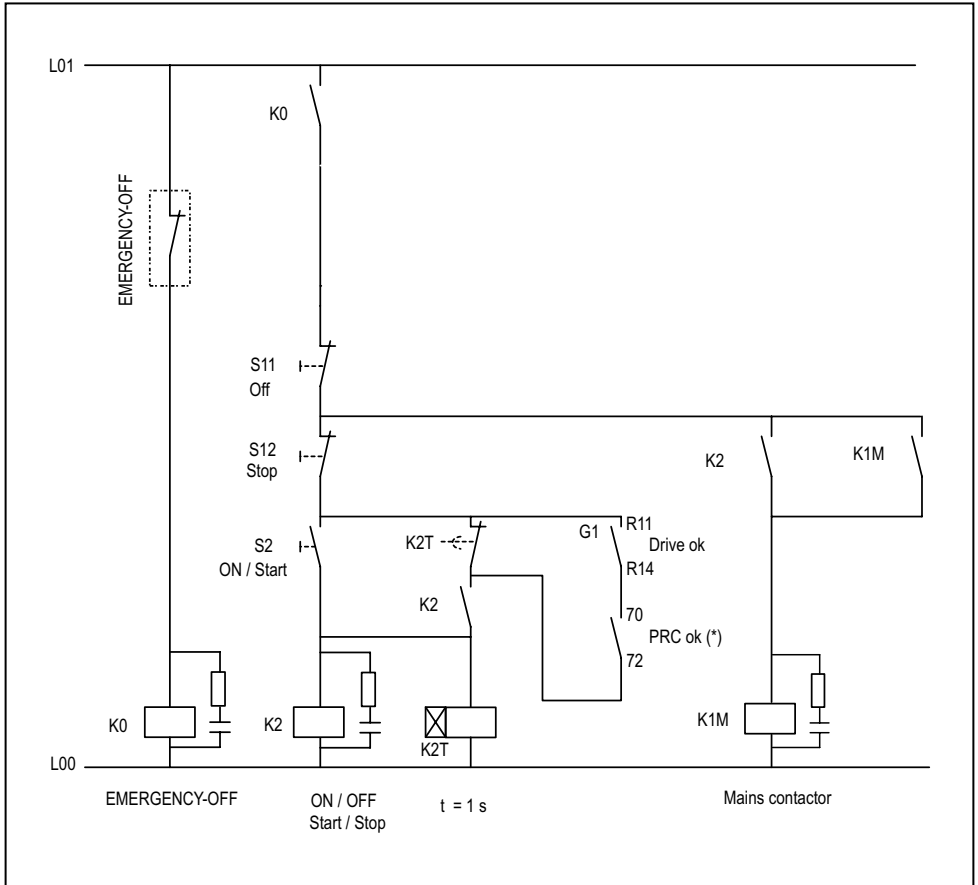


Figure 5.4.3.3: Example of Multidrop connection between ADV200 WA and a PC with USB port

5.5 Typical connection diagrams



(*): Only for sizes \geq ADV200 WA-72000.

Figure 5.5.1: Auxiliary control circuits

Note:

See ADV200 WA FP manual, chapter 26.14- PROCESS/MULTI PUMP for dedicated connection diagram and sw configuration of multi-pump systems..

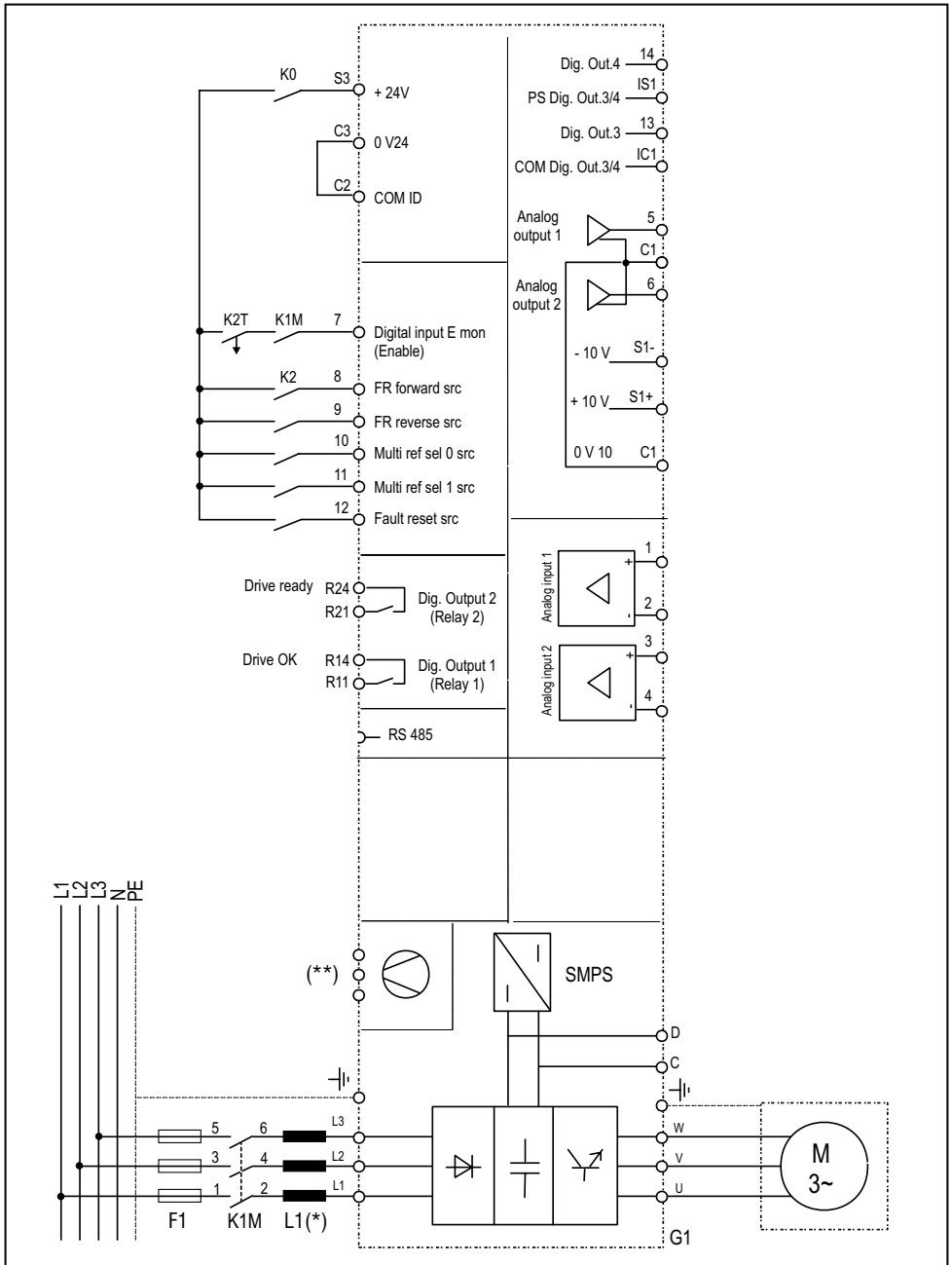


Figure 5.5.2: Typical connection diagram, connection through terminals strip (ADV200 WA-5750-6 ... ADV200 WA-74000-6)

(*): ≥ 72000 : external choke mandatory

(**): See chapter "5.1.11 Connection of fans", page 40.

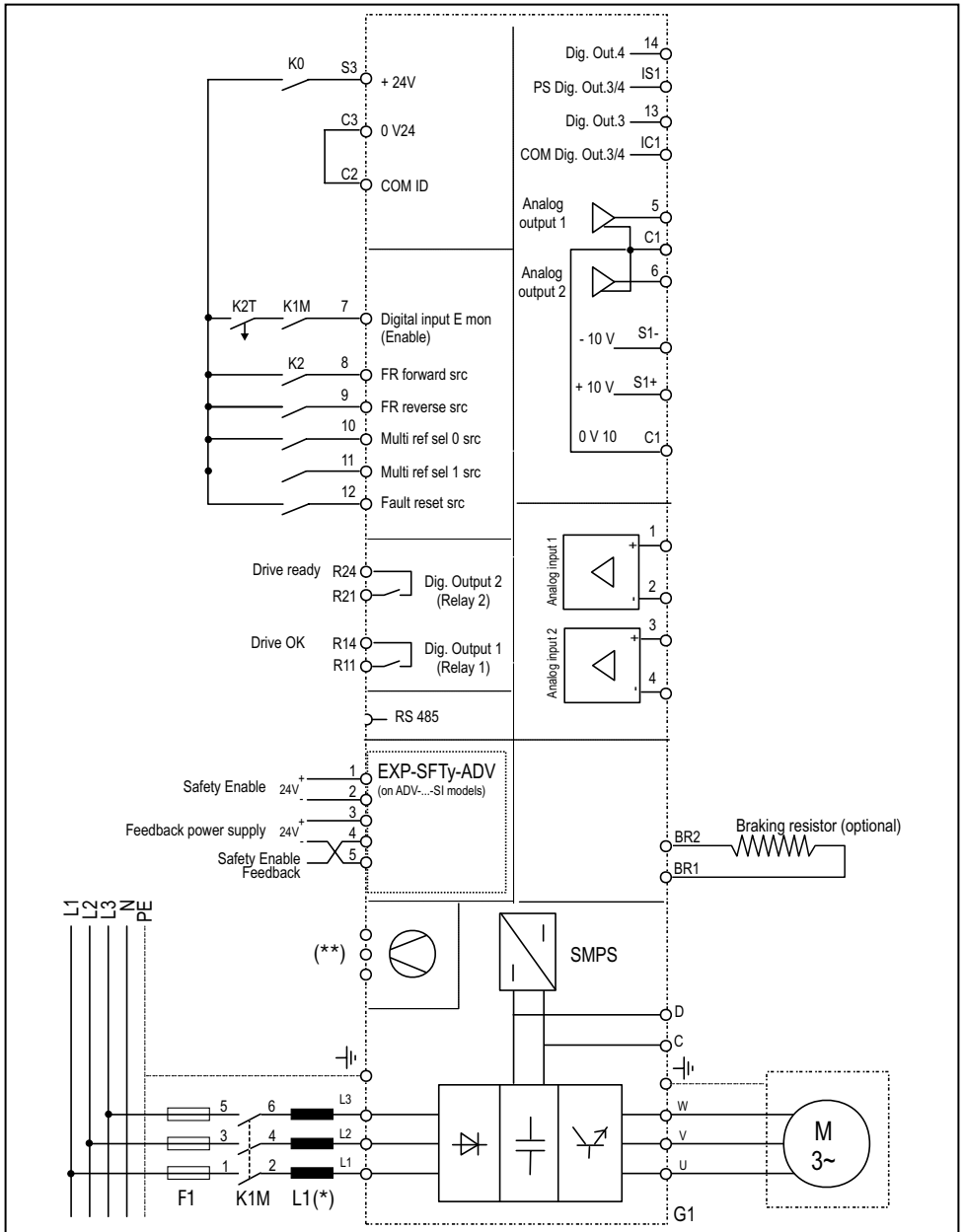


Fig 5.5.3: Simplified diagram, Safe Torque Off function (ADV200 WA...SI models only)



Caution

For instructions on connecting and commissioning the SIL2 or SIL3 safety level function, please see chapter 7 "Application Examples" in the Safety manual (code 1S5F94) which you can download from www.weg.net

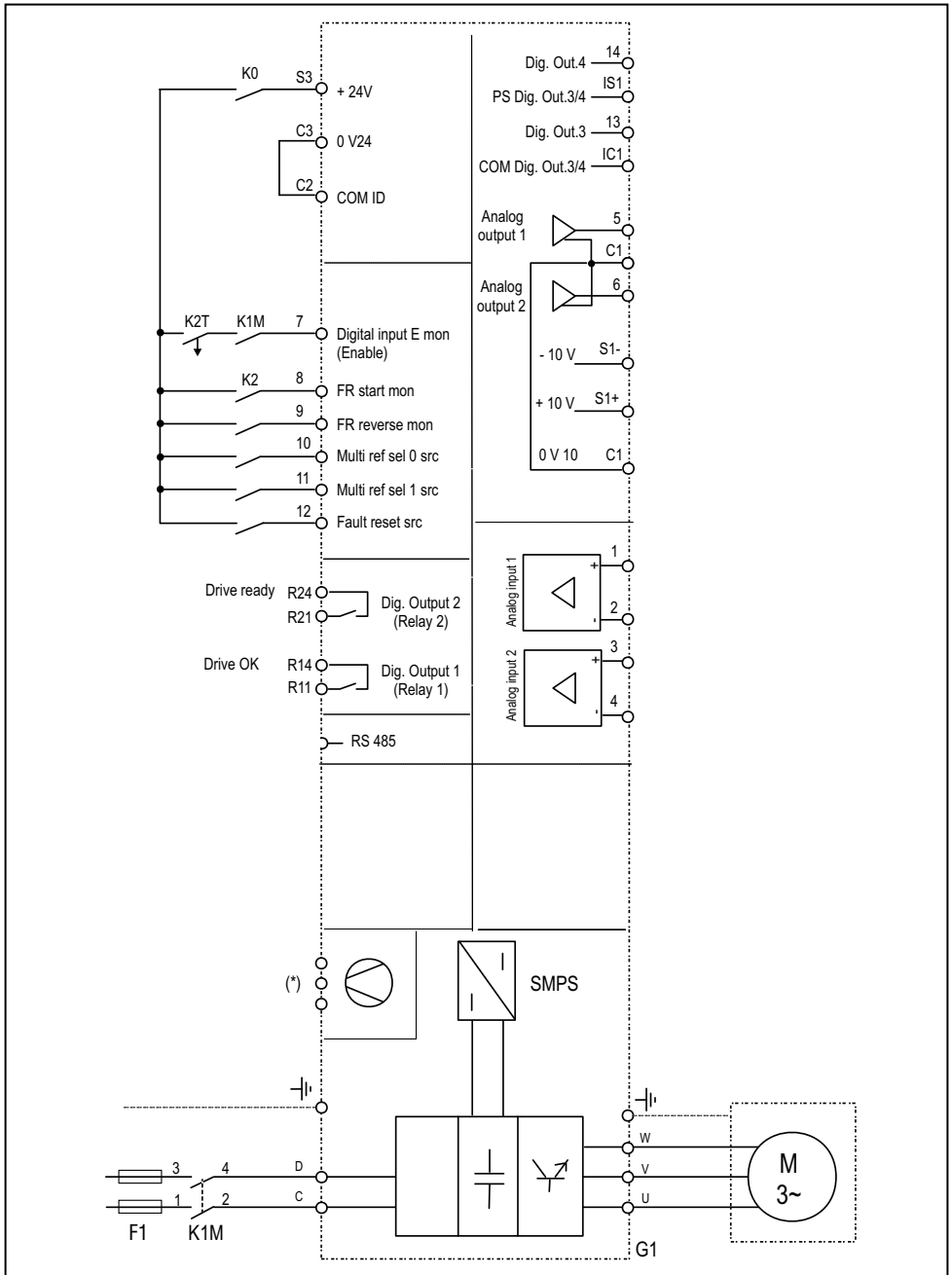


Fig 5.5.4: Typical connection diagram, connection through terminal strip (ADV200 WA-72000-6-DC ... ADV200 WA-74000-6-DC)

(*) See paragraph "5.1.11 Connection of fans", page 40.

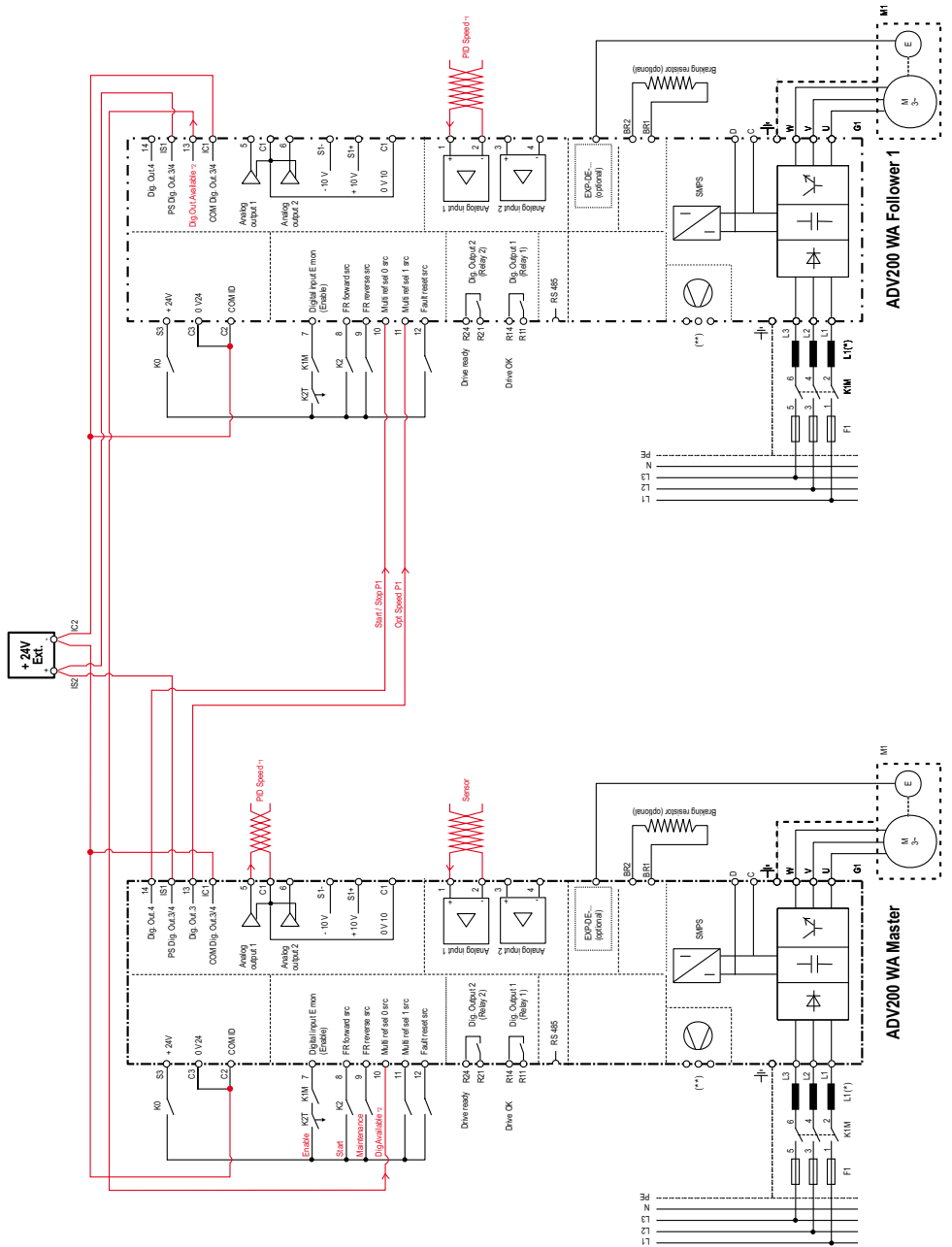


Fig 5.5.5: Typical connection diagram, WA Multidrive application

Notes:

- 1) The diagram refers to Multidrive Application. It consist of 1 Controller drive + 1 Follower (2 pumps).

- 2) Using the standard inputs and outputs you can connect up to 2 Followers (3 pumps). Connections:
 - > Analog output 1 of Drive Controller to Analog input 1 of Drive Follower 2 (PID Speed P2),
 - > Dig. Output 1 of Drive Controller to terminal 10 of Drive Follower 2 (Opt. Speed P2),
 - > Dig. Output 2 of Drive Controller to terminal 11 of Drive Follower 2 (Start / Stop P2)
 - > + 24V EXT (morsetti IC1, IS1, COM ID)

3) You can connect up to 5 Follower (total 6 pumps) adding an optional card EXP-IO-D5R8-ADV to drive Controller. Connections:

- > Analog output 1 of Drive Controller to Analog input 1 inputs of n Drives Follower (PID Speed Px),
- > Dig. Output 1 of Drive Controller to Drive Follower 2 terminal 10 (Opt. Speed P2),
- > Dig. Output 2 of Drive Controller to Drive Follower 2 terminal 11 (Start / Stop P2)
- > Relay 1 of optional card to Drive Follower 3 terminal 10 (Opt. Speed P3),
- > Relay 2 of optional card to Drive Follower 3 terminal 11 (Start / Stop P3)
- > Relay 3 of optional card to Drive Follower 4 terminal 10 (Opt. Speed P4),
- > Relay 4 of optional card to Drive Follower 4 terminal 11 (Start / Stop P4)
- > Relay 5 of optional card to Drive Follower 5 terminal 10 (Opt. Speed P5),
- > Relay 6 of optional card to Drive Follower 5 terminal 11 (Start / Stop P5)
- > + 24V EXT to terminals IC1, IS1, COM ID of n Drive Follower
- > Terminal 13 of Follower 4 to Controller terminal 11
- > Terminal 13 of Follower 5 to Controller terminal 12
- > Terminal 13 of Follower 6 to terminal T1 Digital input 1 of optional card
- > + 24V EXT to terminals C7 (0V) and IS4 (+ 24V) of optional card

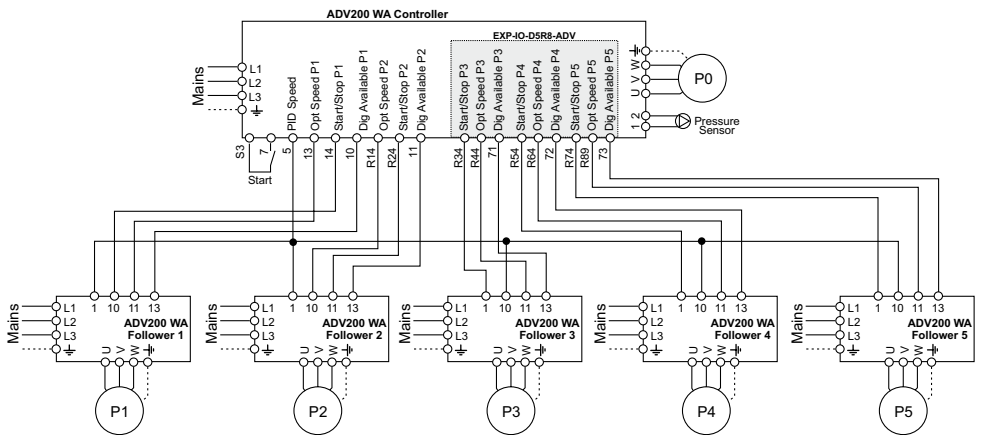


Fig 5.5.5: Typical connection diagram, WA Multidrive application (6 pumps)

Note:

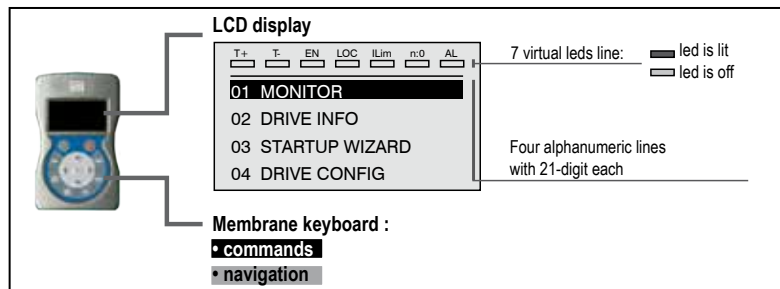
The system can operate up to a maximum of 8 pumps, but in this case can not be used for the Optimal Speed control mode. In this specific case it is not necessary to connect:

- CONTROLLER SIDE: the outputs related to Optimal speed command:
- FOLLOWER SIDE (N drives): the inputs related to Optimal speed command:

6 - Use of the keypad

This chapter describes the keypad and methods of use for display and programming of inverter parameters.

6.1 Description



Membrane keyboard

Inverter control programming menu navigation keys.

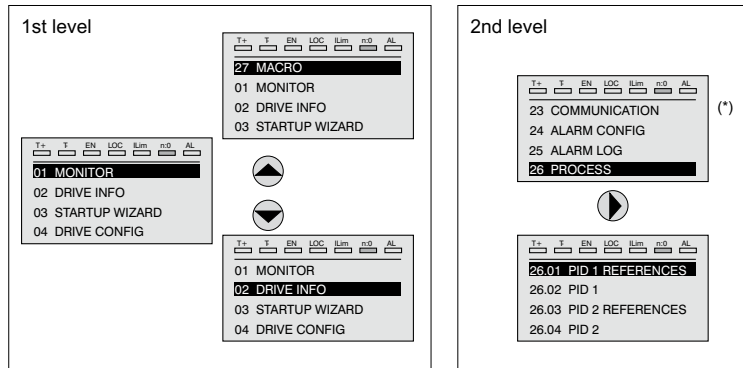
Symbol	Reference	Description
	Start	Starts the motor
	Stop	Stops the motor
ESC	Escape	Returns to the higher level menu or submenu. Exit from a parameter, a list of parameters, from the list of the last 10 parameters and from the Goto parameter function (see CUST). Can be used to exit from a message that requires use of this.
FWD REV	Forward/Reverse	Reverses the direction of rotation of the motor
LOC REM	Local/Remote	Changes the method of use from local to remote and vice versa. Is active only if the drive is not enabled.
RST	Reset	Resets alarms only if the causes have been eliminated.
CUST	Custom	The first time it is pressed, displays the list of the last 10 parameters modified. Pressing this key a second time activates the Goto parameter function for access to a parameter through its number. To exit these functions, press the ◀ key.
DISP	Display	Displays a list of drive functioning parameters.
E	Enter	Accesses the submenu or parameter selected or selects an operation, Is used during parameter modification to confirm the new value set.
▲	Up	Moves selection in a menu or a list of parameters up. During modification of a parameter, increases the value of the digit under the cursor.
▼	Down	Moves the selection in a menu or a list of parameters down. During modification of a parameter, decreases the value of the digit under the cursor.
◀	Left	Returns to the higher level menu. During modification of a parameter, moves the cursor to the left.
▶	Right	Accesses the submenu or parameter selected. During modification of a parameter, moves the cursor to the right.

LED's meaning:

- T+** the LED is lit, when the drive operates with a positive torque
- T-** the LED is lit, when the drive operates with a negative torque
- EN** the LED is lit, when the drive is enabled
- LOC** The led is lit when the drive is in local mode and OFF when in remote mode.
- Ilim** the LED is lit, when the drive operates at a current limit. During normal functioning, this led is OFF.
- n=0** the LED is lit; it signals zero speed
- AL** the LED is lit; it signals a trip

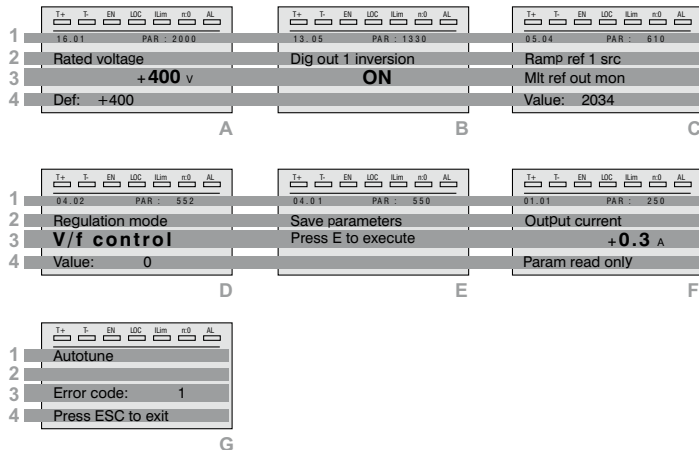
6.2 Navigation

6.2.1 Scanning of the first and second level menus



(*) This example is visible only in **Export** mode (see paragraph 6.5.2).

6.2.2 Display of a parameter

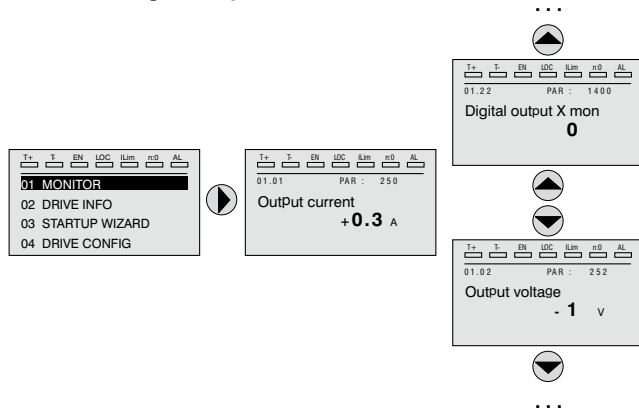


- 1 Position of the parameter in the menu structure (in figure A, 16.01); number of the parameter (in figure A, PAR: 2000).

- 2 Description of the parameter.
- 3 Depends on the type of parameter:
 - **Numeric parameter:** displays the numeric value of the parameter, in the format required, and unit of measurement (figure A).
 - **Binary selection:** the parameter may assume only 2 states, indicated as OFF-ON or 0 - 1 (figure B).
 - **LINK type parameter:** displays the description of the parameter set from the selection list (figure C).
 - **ENUM type parameter:** displays the description of the selection (figure D)
 - **Command:** displays the method of execution of the command (figure E)
- 4 In this position, the following may be displayed:
 - **Numeric parameter:** displays the default, minimum and maximum values of the parameter. These values are displayed in sequence pressing the ► key (figure A).
 - **LINK type parameter:** displays the number (PAR) of the parameter set (figure C) .
 - **ENUM type parameter:** displays the numeric value corresponding to the current selection (figure D).
 - **Command:** in the case of an error in the command, indicates that ESC must be pressed to terminate the command (figure G).
 - **Messages and error conditions** (figure F):

Param read only	attempt to modify a read-only parameter
Password active	the parameter protection password is active
Drive enabled	attempt to modify a non-modifiable parameter with the drive enabled
Input value too high	the value entered too high
Input value too low	the value entered too low
Out of range	attempt to insert a value outside the min. and max. limits

6.2.3 Scanning of the parameters



6.2.4 List of the last parameters modified

Pressing the **CUST** key, a list containing the last 10 parameters modified is accessed. One parameter at a time is displayed and the list can be scrolled using the ▲ and ▼ keys. To exit this list, press the ► key.

6.2.5 “Goto parameter” function

Pressing the **CUST** key twice, or once if already in the “List of modified parameters”, the “Goto parameter” is activated.

This function permits access to any parameter entering only the software number of the parameter (PAR).

When the parameter reached by the "Goto" command is displayed, it is possible to navigate all the parameters forming part of the same group using the ▲ and ▼ keys.

Pressing the ► key returns to the "Goto" function.

To exit the "Goto" function, press the ► key.

6.3 Parameter modification

To enter parameter modification mode, press the **E** key when the parameter to be modified is displayed.

To save the value of the parameter, following modification, press the **E** key again.

Note !

To save permanently, see "6.4 How to save parameters", page 69.

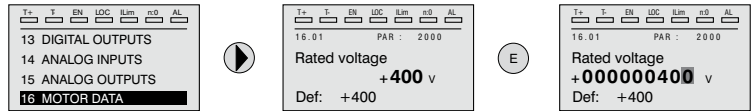
To exit from modification mode without saving the value, press the **ESC** key.

The operations to be carried out to modify the value depend on the type of the parameter, as described below.

Note !

For further information about the type of parameters displayed, see chapter Parameters List (ADV200 WA FP manual).

- **Numeric parameters**



When **E** is pressed to access modification mode, the cursor is activated on the digit corresponding to the unit.

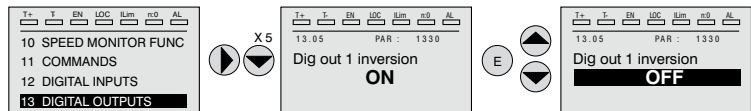
Using the ◀ and ▶ keys, the cursor can be moved to all the digits, including trailing zeros that are normally not displayed.

With the ▲ and ▼ keys, the digit under the cursor is increased or decreased.

Press **E** to confirm the modification or **ESC** to cancel.

- **Binary parameters (BIT type)**

The parameter may assume only two states which are indicated as OFF-ON or 0-1.



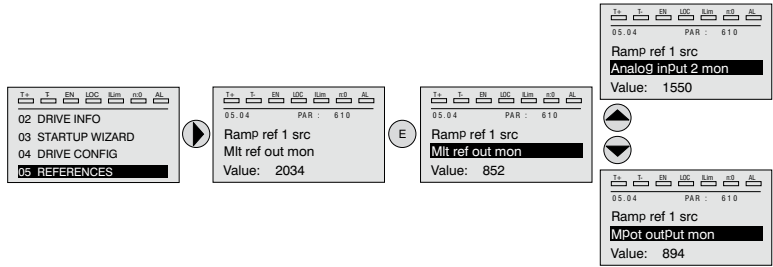
Pressing **E**, modification mode is activated. The entire line is displayed in reverse.

Use the ▲ and ▼ keys to move from one state to another.

Press **E** to confirm the modification or **ESC** to cancel.

- **LINK type parameter**

The parameter may assume the number of another parameter as value.

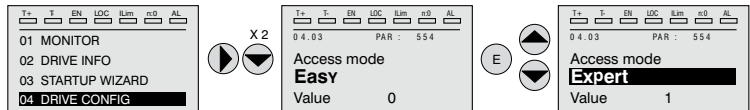


Pressing **E**, modification mode is activated. The entire line is displayed in reverse. The elements of the list of parameters associated to this parameter can be scrolled using the **▲** and **▼** keys.

Press **E** to confirm the modification or **ESC** to cancel.

- **ENUM type parameter**

The parameter may assume only the values contained in a selection list.



Pressing **E**, modification mode is activated. The entire line is displayed in reverse. The elements of the selection list can be scrolled using the **▲** and **▼** keys.

Press **E** to confirm the modification or **ESC** to cancel.

- **Execution of commands**

A parameter can be used to carry out a number of operations on the drive.

For an example, see [paragraph 6.4](#): in this case, the “Press E to execute” request is displayed instead of the value.

To perform the command, press **E**.

During execution of the command, the “In progress” caption is displayed to indicate that the operation is in course.

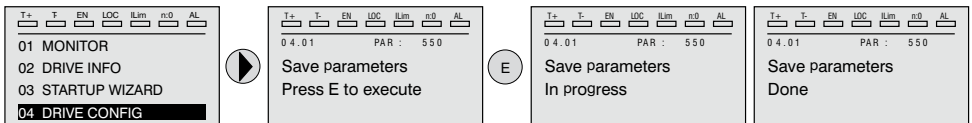
At the end of execution, if the result is positive, the “Done” caption is displayed for few seconds.

If execution has failed, an error message is displayed.

6.4 How to save parameters

Menu 04 DRIVE CONFIG, parameter 04.01 **Save parameters**, PAR : 550.

Used to save changes to parameter settings so that they are maintained also at the power-off.



To exit, press the **◀** key.

6.5 Configuration of the display

6.5.1 Language selection

Menu 04 DRIVE CONFIG, parameter 04.15 **Language select**, PAR: 578, default=English.

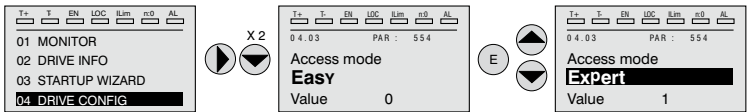
Used to set one of the languages available : English, Italian, Francais, Deutsch, Polish, Romanian, Russian, Turkish and Portuguese.



Note !

To access the Cyrillic font: 1) press the E key and hold it down while you switch the drive on, 2) select the required font using the ▲ and ▼ keys, 3) press E to confirm and return to normal operating mode.

6.5.2 Selection of Easy / Export mode



Menu 04 DRIVE CONFIG, parameter 04.03 **Access mode** , PAR: 554.

Makes it possible to configure two methods of access :
Easy (default) only the main parameters are displayed.
Expert for advanced users, all the parameters are displayed.

6.5.3 Startup display

Note !

This parameter is visible only in **Expert** mode (see [paragraph 6.5.2](#)).

Menu 04 DRIVE CONFIG, parameter 04.13 **Startup display**, PAR : 574.

Used to set the parameter that will be displayed automatically at drive power-on. Entering the value -1 (default), the function is disabled and the main menu is displayed at power-on. Set to 0 to show the display menu.

6.5.4 Back-lighting of the display

Note !

This parameter is visible only in **Expert** mode (see [paragraph 6.5.2](#)).

Menu 04 DRIVE CONFIG, parameter 04.16 **Display backlight**, PAR : 576.

Sets lighting of the display

ON the light of the display remains always on.

OFF (default) the light switches off after approx. 3 minutes from pressing of the last key.

6.6 Alarms

The alarms page is displayed automatically when an alarm occurs.

	T1	T2	EM	LOC	Lim	sd	AL
1	Alarm -RTN: 1/2						
2	Power down						
3	Code: 0000H-0						
4	Time: 28:04						

- 1 Alarm:** identifies the alarm page.
RTN : indicates that the alarm has been reset; if the alarm is still active, nothing is displayed.
x/y : x indicates the position of this alarm in the list of alarms and y the number of alarms (the alarm with lowest x is the most recent)
- 2** Description of the alarm
- 3** Sub-code of the alarm, provides other information in addition to the description
- 4** Moment of occurrence of the alarm in machine time.

The list of alarms is scrolled using the ▲ and ▼ keys.

6.6.1 Alarm reset

- If the alarm page is displayed:

Pressing the **RST** key, the alarms are reset and all alarms reset are eliminated from the list.

If, after this operation, the list of alarms is empty, the alarm page is closed.

If the list is not empty, press the ► key to exit from the alarms page.

- If the alarms page is not displayed:

Pressing the **RST** key, the alarms are reset.

If active alarms are still present following reset, the alarm page is opened.

Note !

For further information, see [chapter "8.1 Alarms", page 95](#)

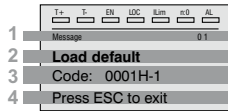
6.7 Messages

Operator messages are displayed with this page.

The messages are of two types:

- *timed* (closed automatically after a certain number of seconds),
- *fixed* (remain displayed until the operator presses the **ESC** key).

Several concurrent messages are enqueued and presented to the operator in sequence, starting from the most recent.



- 1 **MESSAGE** : identifies a message.
xx indicate show many messages are enqueued. The queue may contain a maximum of 10 messages and the message with the highest number is the most recent.
- 2 Description of the message (see [chapter 8](#) for further information)
- 3 Sub-code of the message. Provides extra information in addition to the description.
- 4 "Press ESC to exit" is displayed if the message requires acknowledgment.

When a message is closed, the next message is displayed until the queue is empty.

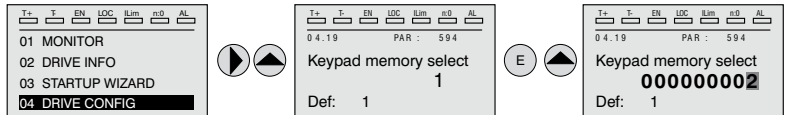
Note !

For further information, see chapter "8.2 Messages", page 99

6.8 Saving and recovery of new parameter settings

Drive parameters can be saved on the keypad in 5 different memory areas. This function is useful to obtain various sets of parameters, for safety backup or to transfer the parameters from one drive to another.

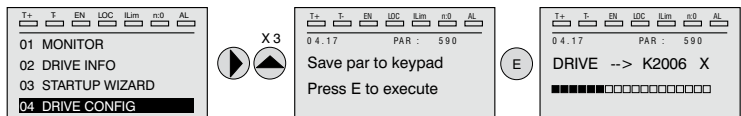
6.8.1 Selection of the keypad memory



Menu 04 DRIVE CONFIG, parameter 04.21 **Keypad memory select**, PAR : 594.

The keypad features 5 memory areas dedicated to saving parameters. The memory to be used is selected using the **Keypad memory select** parameter. Subsequent saving and recovery operations will be carried out on the memory selected.

6.8.2 Saving of parameters on the keypad

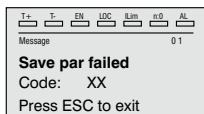


Menu 04 DRIVE CONFIG, parameter 04.19 **Save par to keypad**, PAR : 590.

Is used to transfer the parameters from the drive to the selected keypad memory. To start the operation, press the **E** key. During transfer, a bar is displayed which indicates progress of the operation. Instead of the letter **X**, the number of the currently selected keypad memory is displayed.

At the end of transfer, if this has been completed successfully, the "Done" caption is displayed for a few seconds with subsequent return to the initial page.

If an error occurs during transfer, the following message is displayed:

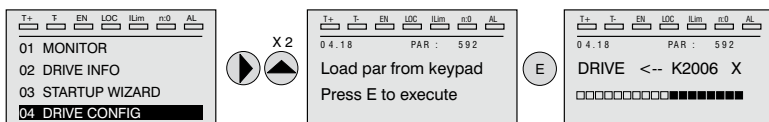


The code XX indicates the type of error, see paragraph “8.2 Messages”, page 99.
To exit from the error message, press the **ESC** key.

6.8.3 Load parameters from keypad

Menu 04 DRIVE CONFIG, parameter 04.20 **Load par from keypad**, PAR : 592.

Is used to transfer the parameters from the selected memory of the keypad to the drive.

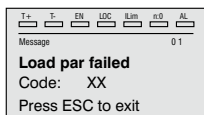


To start the operation, press the **E** key. During transfer, a bar is displayed which indicates progress of the operation.

Instead of the letter **X**, the number of the currently selected keypad memory is displayed.

At the end of transfer, if this has been completed successfully, the “Done” caption is displayed for a few seconds with subsequent return to the initial page.

If an error occurs during transfer, the following message is displayed:



The code XX indicates the type of error, see paragraph “8.2 Messages”, page 99.
To exit from the error message, press the **ESC** key.

6.8.4 Transfer of parameters between drives

Transfer the parameters of the source drive to the keypad memory as indicated in paragraph “6.8.2 Saving of parameters on the keypad”, page 72, then connect the keypad to the drive on which the new setting is to be saved and proceed as indicated in paragraph 6.8.3.



Caution

~~~~~  
To prevent possible damage to equipment, it is advisable to disconnect and connect the keypad with the drive OFF.

*Pour éviter tout endommagement possible des appareils, il est conseillé de débrancher et de brancher le pavé de commande une fois le drive éteint.*

~~~~~

7 - Commissioning via keypad (STARTUP WIZARD)



Adjustable frequency drives are electrical apparatus for use in industrial installations. Parts of the Drives are energized during operation. The electrical installation and the opening of the equipment should therefore only be carried out by qualified personnel. Improper installation of motors or Drives may therefore cause the failure of the device as well as serious injury to persons or material damage. Drive is not equipped with motor overspeed protection logic other than that controlled by software. Follow the instructions given in this manual and observe the local and national safety regulations applicable.

Les drives à fréquence variable sont des dispositifs électriques utilisés dans des installations industriels. Une partie des drives sont sous tension pendant l'opération. L'installation électrique et l'ouverture des drives devrait être exécuté uniquement par du personnel qualifié. De mauvaises installations de moteurs ou de drives peuvent provoquer des dommages matériels ou blesser des personnes. On doit suivre les instructions données dans ce manuel et observer les règles nationales de sécurité.

Always connect the Drive to the protective ground (PE) via the marked connection \perp . ADV Drives and AC Input filters have ground leakage currents greater than 3.5 mA. EN61800-5-1 specifies that with leakage currents greater than 3.5 mA the protective conductor ground connection (\perp) must be fixed type and doubled for redundancy if its section is lower than 10mm² CU or 16mm² AL.

Il faut toujours connecter le variateur à la terre \perp (PE). Le courant de dispersion vers la terre est supérieur à 3,5 mA sur les variateurs et sur les filtres à courant alterné. Les normes EN61800-5-1 spécifient qu'en cas de courant de dispersion vers la terre, supérieur à 3,5 ma, la mise à la terre (\perp) doit avoir une double connexion pour la redondance si sa section est inférieure à 10mm² CU ou 16mm² AL.

Only permanently-wired input power connections are allowed. This equipment must be grounded (IEC 536 Class 1, NEC and other applicable standards).

If a Residual Current-operated protective Device (RCD) is to be used, it must be an RCD type B. Machines with a three phase power supply, fitted with EMC filters, must not be connected to a supply via an ELCB (Earth Leakage Circuit-Breaker - see DIN VDE 0160, section 5.5.2 and EN 61800-5-1 section 4.3.10.).

The following terminals can carry dangerous voltages even if the inverter is inoperative:

- the power supply terminals L1, L2, L3, C, D.
- the motor terminals U, V, W.

This equipment must not be used as an 'emergency stop mechanism' (see EN 60204, 9.2.5.4).

Seuls des branchements électriques permanents par câble en entrée sont admis. Mettre l'appareil à la masse (IEC 536 Classe 1, NEC et autres normes applicables).

S'il s'avère nécessaire d'utiliser un dispositif protecteur de courant résiduel (RCD), il convient de choisir un RCD de type B. Les machines à alimentation triphasée et dotées de filtres EMC ne doivent pas être raccordées au bloc d'alimentation par le biais d'un disjoncteur ELCB (Earth Leakage Circuit-Breaker – cf. DIN VDE 0160, paragraphe 5.5.2 et 61800-5-1 paragraphe 4.3.10.).

Les bornes suivantes peuvent recevoir des tensions dangereuses, même si l'onduleur est désactivé :

- bornes d'alimentation L1, L2, L3, C, D.
- bornes du moteur U, V, W.

Ne pas utiliser cet appareil en tant que « dispositif d'arrêt d'urgence » (cf. EN 60204, 9.2.5.4).

Do not touch or damage any components when handling the device. The changing of the isolation gaps or the removing of the isolation and covers is not permissible.

Manipuler l'appareil de façon à ne pas toucher ou endommager des parties. Il n'est pas permis de changer les distances d'isolement ou bien d'enlever des matériaux isolants ou des capots.

According to the EU directives the ADV and accessories must be used only after checking that the machine has been produced using those safety devices required by the 2006/42/EC set of rules, as far as the machine industry is concerned. These standards do not apply in the Americas, but may need to be considered in equipment being shipped to Europe.

Conformément à la directives EU, les drives ADV et leurs accessoires doivent être employés seulement après avoir vérifié que la machine ait été produit avec les même dispositifs de sécurité demandés par la réglementation 2006/42/EC concernant le secteur de l'industrie.

Motor parameters must be accurately configured for the motor overload protection to operate correctly.

Configurer soigneusement les paramètres du moteur afin que la protection contre les surcharges équipée sur le moteur fonctionne convenablement.

High voltage levels are present in the drive.

Les tensions, à l'intérieur du drive, sont élevées.

Wherever faults occurring in the control equipment can lead to substantial material damage or even grievous bodily injury (i.e. potentially dangerous faults), additional external precautions must be taken or facilities provided to ensure or enforce safe operation, even when a fault occurs (e.g. independent limit switches, mechanical interlocks, etc.).

Adopter des mesures de précaution supplémentaires à l'extérieur du drive (par exemple, des interrupteurs de fin de course, des interrupteurs mécaniques, etc.) ou fournir des fonctions aptes à garantir ou à mettre en place un fonctionnement sécurisé en cas de survenue d'une panne de l'appareil de commande susceptible d'occasionner des dégâts matériels d'envergure, voire même des lésions corporelles graves (par exemple, des pannes potentiellement dangereuses).

Certain parameter settings may cause the inverter to restart automatically after an input power failure.

Certaines configurations de paramètres peuvent provoquer le redémarrage automatique de l'onduleur après une coupure de l'alimentation.

This equipment is suitable for use in a circuit capable of delivering not more than 10,000 symmetrical amperes (rms), for a maximum voltage of 690 V .

Cet appareil est conçu pour une utilisation sur un circuit d'alimentation en mesure de délivrer 10.000 ampères symétriques (rms) maximum pour une tension maximale de 690V.

This equipment must not be used as an 'emergency stop mechanism' (see EN 60204, 9.2.5.4).

Ne pas utiliser cet appareil en tant que « dispositif d'arrêt d'urgence » (cf. EN 60204, 9.2.5.4).

Do not open the device or covers with the product connected to the mains or a DC power supply. Minimum time to wait before working on the terminals or inside the device is listed in [section 9.7 Voltage level of the inverter for safe operations](#), page 113 .

Ne pas ouvrir le dispositif ou les couvercles tant que le produit est sous alimentation secteur ou DC. Le temps minimum d'attente avant de pouvoir travailler sur les bornes ou bien à l'intérieur de l'appareil est indiqué dans la section «9.7 Voltage level of the inverter for safe operations», page 113 .

Fire and Explosion Hazard:

Fires or explosions might result from mounting Drives in hazardous areas such as locations where flammable or combustible vapors or dusts are present. Drives should be installed away from hazardous areas, even if used with motors suitable for use in these locations.

Risque d'incendies et d'explosions. *L'utilisation des drives dans des zones à risques (présence de vapeurs ou de poussières inflammables), peut provoquer des incendies ou des explosions. Les drives doivent être installés loin des zones dangereuses, et équipés de moteurs appropriés.*





Protect the device from impermissible environmental conditions (temperature, humidity, shock etc.).

Protéger l'appareil contre des effets extérieurs non permis (température, humidité, chocs etc.).

To the output of the drive (terminals U, V, W) :

- no voltage should be connected to the output of the drive
- the parallel connection of several drives are not permissible.
- the direct connection of the inputs and outputs (bypass) are not permissible.
- capacitive load (e.g. Var compensation capacitors) should not be connected.

À la sortie du convertisseur (bornes U, V et W) :

- aucune tension ne doit être appliquée
- aucune charge capacitive ne doit être connectée
- il n'est pas permis de raccorder la sortie de plusieurs convertisseurs en parallèle
- Il n'est pas permis d'effectuer une connexion directe de l'entrée avec la sortie du convertisseur (Bypass).

The electrical commissioning should only be carried out by qualified personnel, who are also responsible for the provision of a suitable ground connection and a protected power supply feeder in accordance with the local and national regulations. The motor must be protected against overloads.

La mise en service électrique doit être effectuée par un personnel qualifié. Ce dernier est responsable de l'existence d'une connexion de terre adéquate et d'une protection des câbles d'alimentation selon les prescriptions locales et nationales. Le moteur doit être protégé contre la surcharge.

Do not connect power supply voltage that exceeds the standard specification voltage fluctuation permissible. If excessive voltage is applied to the Drive, damage to the internal components will result.

Ne pas raccorder de tension d'alimentation dépassant la fluctuation de tension permise par les normes. Dans le cas d'une alimentation en tension excessive, des composants internes peuvent être endommagés.

Do not operate the Drive without the ground wire connected.

The motor chassis should be grounded to earth through a ground lead separate from all other equipment ground leads to prevent noise coupling.

Ne pas faire fonctionner le drive sans prise de terre.

Le châssis du moteur doit être mis à la terre à l'aide d'un connecteur de terre séparé des autres pour éviter le couplage des perturbations.

No dielectric tests should be carried out on parts of the drive. A suitable measuring instrument (internal resistance of at least 10 k Ω /V) should be used for measuring the signal voltages.

Il ne faut pas exécuter de tests de rigidité diélectrique sur des parties du convertisseurs. Pour mesurer les tensions, des signaux, il faut utiliser des instruments de mesure appropriés (résistance interne minimale 10k Ω /V).

7.1 Startup Wizard

7.1.1 Startup Wizard for Asynchronous Motors

Introduction

The ADV200 WA can operate with regulation modes : V/f control (Voltage/Frequency) and Flux vector OL (open loop).

Menu 04 DRIVE CONFIG, parameter 04.2 **Regulation mode**, PAR: 552, default=V/f control.

Start-up in one mode is valid also for the other regulation modes.

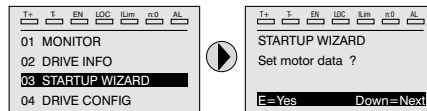
The startup wizard is a guided procedure used for quick start-up of the drive that helps to set the main parameters.

It consists of a series of questions relating to the various sequences for entering and calculating the parameters necessary for correct drive operation.

The order of these sequences is as follows:

- Basic connections See [step 1](#)
- **Setting motor parameters** See [step 2](#)
- **Self-tuning with rotating motor** See [step 3A](#)
- **Self-tuning with motor at stand-still or coupled to the load** See [step 3B](#)
- **Setting the maximum speed reference value** See [step 4](#)
- **Setting ramp parameters** See [step 5](#)
- **Saving parameters** See [step 6](#)
- **Speed regulation setting** See [step 7](#)
- **Setting the motor in Flux vector OL control mode** See [step 8](#)

The format of the function selection page is as follows:



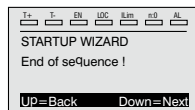
Pressing the E key, the function to be programmed is accessed.

Press the ▼ (Down) key to move to the next function skipping the current function.

Press the ▲ key to return to the previous function.

To terminate the sequence of functions and return to the menu, press the **ESC** key.

The end of the start-up sequence is indicated with the page:



Press the ▼ (Down) key to exit the sequence and return to the menu.

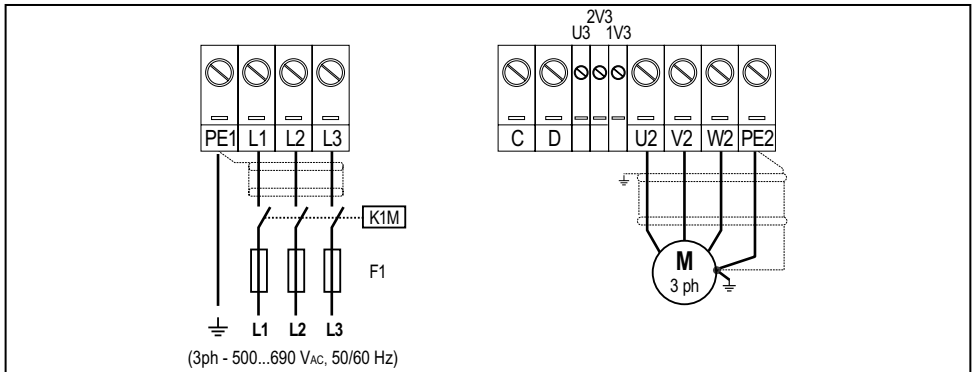
Note !

.....
In the procedures described below, the settings have been made using the ADV73150 drive and a 234 kW asynchronous motor.
.....

Step 1 - Connections

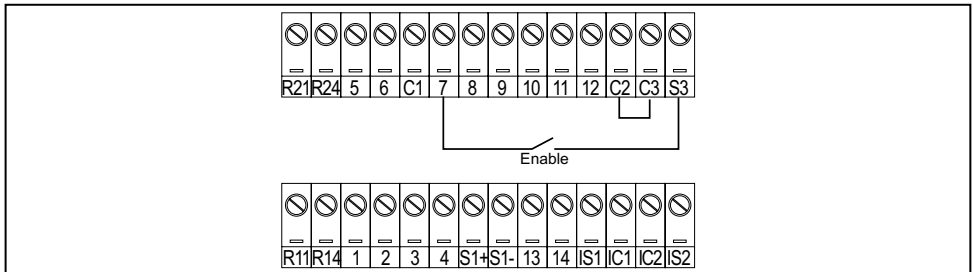
Connect the drive to the power supply as illustrated in the following diagrams:

Connection to the mains and motor

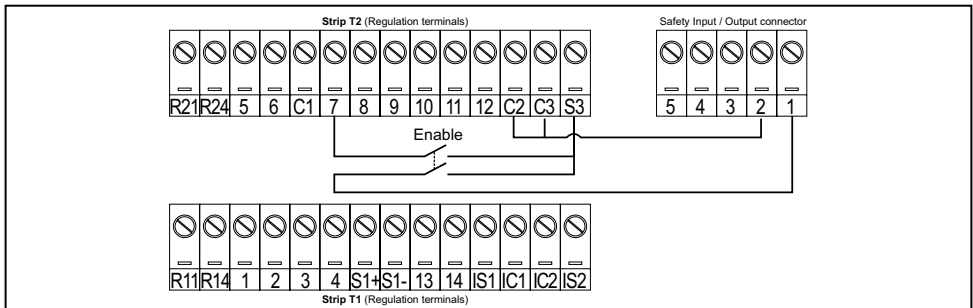


For ADV....-6-DC versions please refer to the diagrams in paragraph [“5.1.5 Power line connection”](#), page 32 and [“5.1.7 Motor connection”](#), page 36.

Connection of the drive enabling contact



Connection of the drive enabling contact with Safety function (SIL2 configuration)



Checks to be performed before powering the drive

- Check that the supply voltage is correct (TN,TT for ADV200 WA series ; IT for ADV200 WA...-IT series) and that the input terminals on the drive (L1, L2
- Check that the output terminals on the drive (L1, L2 and L3 or C and D for ADV-...-6-DC) are connected to the motor correctly.
- Check that all the drive control circuit terminals are connected correctly. Check that all control inputs are open.

Powering the drive

- After completing all the checks described above, power the drive and proceed to Step 2.

Step 2 - Setting motor parameter (Set motor data)

Set the rating data of the motor connected: rated voltage, rated frequency, rated current, rated speed, rated power, power factor ($\cos\phi$).

Motor & Co.			
Type: ABCDE	Ic416		
Motor: 3 phase	37.5 Hz	Nr	12345-91
Rated voltage	690 V	I nom	246 A
Rated power	234 kW	Power factor	0.87
Rated speed (n _s)	750 rpm		
IP54	Iso KI F	S1	
Made in			

The self-tuning procedure is described below using the data of an imaginary motor by way of example.

- Rated Voltage [V]:** motor rated voltage as indicated on the data plate.
- Rated current [A]:** motor rated current, approximately, the value should not be less than 0.3 times the rated current of the drive, output current class 1 @ 690V on the rating plate of the drive.
- Rated speed [rpm]:** motor rated speed, the value must reflect the speed of the motor at full load at rated frequency. If slip is indicated on the motor rating data, set the **Rated speed** parameter as follows:
 Rated speed = Synchronous speed - Slip
- Rated frequency [Hz]:** motor rated frequency, as shown on the data plate.
- Pole pairs:** Number of motor pole pairs. The number of motor pole pairs is calculated using the data on the plate and the following formula: $P = 60 [s] \times f [Hz] / nN [rpm]$
 Where: p = motor pole pairs

f = motor rated frequency (menu 16 MOTOR DATA par. 2006)
nN = motor rated speed (menu 16 MOTOR DATA par. 2004)

Rated power [kW]: motor rated power, for a motor rating plate with a HP power value, set the rated power
kW = 0.736 x motor power Hp value.

Rated power factor: leave the default value of Cos ϕ if the data are not available.

Note !

When data entry is complete the **Take parameters** command (menu 16 MOTOR DATA, PAR: 2020) is executed automatically. The motor data entered during the STARTUP WIZARD procedure are saved in a RAM memory to enable the drive to perform the necessary calculations.

These data are lost if the device is switched off. To save the motor data follow the procedure described in Step 6.

At the end of the procedure, proceed to Step 3A (motor free to rotate and uncoupled from transmission) or to Step 3B (motor coupled to transmission).

Step 3 - Autotune of the motor

The drive carries out the motor autotune procedure (real measurement of motor parameters).
Autotune may last a few minutes.


Note !

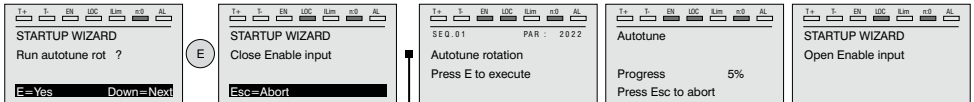
If this operation generates an error message (example Error code 1), check the connections of the power and control circuits (see Step 1 - Connections), check motor data settings (see Step 2 – Motor data setting) and then repeat the Autotune procedure (or, alternatively, select a different type of procedure (Rotation or Still))

Step 3A - Self-tuning with rotating motor (Autotune rotation)

Use this procedure when the motor is not coupled or the transmission does not represent more than 5% of the load. This procedure obtains the most accurate data.

Note !

Autotuning can be cancelled at any time by pressing 



Connect terminal 7 (Enable) to terminal S3 (+24Vdc).
To interrupt this operation, press the **ESC** key.

Note !

At the end of the self-tuning procedure there is a request to open the Enable contact (terminals 7 – S3); the **Take tune parameters** command (menu 16 MOTOR DATA, PAR: 2078) is automatically executed.

The calculated parameters are saved in a RAM memory to enable the drive to perform the necessary calculations. These data are lost if the device is switched off. To save the motor data follow the procedure described in Step 6.

When the Enable contact is opened the drive proposes Step 4 to proceed with the wizard

Step 3B - Self-tuning with motor at stand-still or coupled to the load (Autotune still)

Use this procedure when the motor is **coupled to the transmission** and cannot rotate freely.


May cause limited rotation of the shaft.

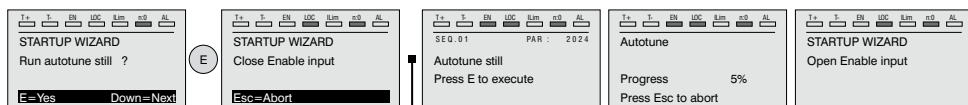
Peut entraîner une rotation de l'arbre limitée.



Caution

Note !

Autotuning can be cancelled at any time by pressing 



Connect terminal 7 (Enable) to terminal C3 (+24Vdc)

Note !

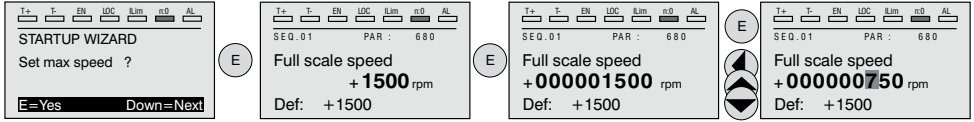
At the end of the self-tuning procedure there is a request to open the Enable contact (terminals 7 – S3); the **Take tune parameters** command (menu 16 MOTOR DATA, PAR: 2078) is automatically executed.

The calculated parameters are saved in a RAM memory to enable the drive to perform the necessary calculations. These data are lost if the device is switched off. To save the motor data follow the procedure described in Step 6.

When the Enable contact is opened the drive proposes Step 4 to proceed with the wizard.

Step 4 - Setting the maximum speed reference value (Set max speed)

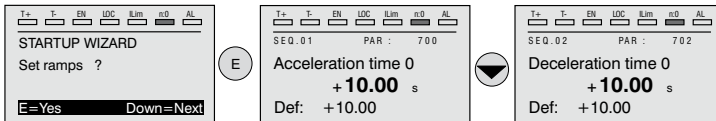
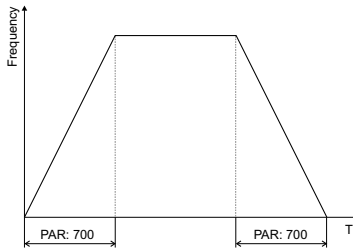
This step is used to define the maximum motor speed value that can be reached with each single reference signal (analog or digital).



After setting the speed, proceed to Step 5 to set the acceleration and deceleration ramp parameters.

Step 5 - Setting ramp parameters (Set ramps)

Set the acceleration and deceleration times for the profile of ramp 0 :



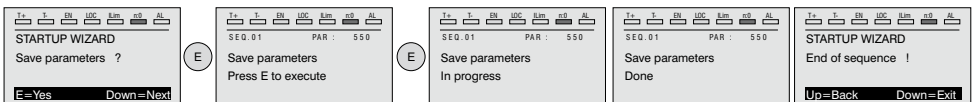
Note !

After setting the acceleration and deceleration ramps, the parameters that have been set manually and calculated using the self-tuning procedures can be saved permanently in a non-volatile flash memory.

To save the parameters proceed to Step 6.

Step 6 - Saving parameters (Save parameters)

To save the new parameter settings, so that they are maintained also after power-off, proceed as follows:

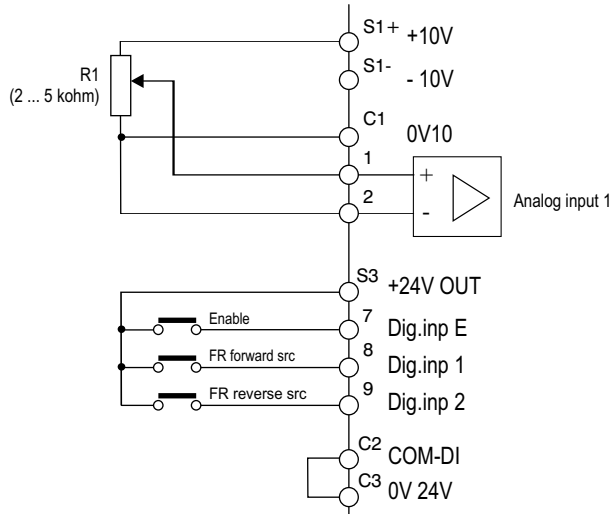


Step 7 - Speed regulation setting

In this step the basic settings in order to perform a functional test of the drive-motor system are described. This functional test uses **factory settings as far as the analog and digital commands of the drive are concerned**. The regulation mode is that set in PAR 552 **Regulation mode**, default is V/f control.

Menu 04 DRIVE CONFIG, parameter 04.2 **Regulation mode**, PAR: 552 (default: 0 = V/f control; 1 = Flux vector OL; 2 = Autotune)

• Basic connections for the speed test



After making the connections described in the previous section, proceed as follows to start the motor rotating:

1. Make sure the analog signal or potentiometer are set to the minimum value.
2. Close the **Enable** contact (terminals S3 – 7)
3. Close the **FR forward src (PAR 1042)** contact, terminals S3 – 8. The drive starts magnetizing the motor
4. Increase the reference signal gradually using the potentiometer or analog signal
5. If the motor rotates anti-clockwise with the **FR forward src (PAR 1042)** command and a positive analog reference, stop the drive, disconnect the power supply and invert two phases between U, V and W.
6. Press the **DISP** key to check that the voltage, current and output frequency values are correct in relation to the type of motor and the set speed reference value.
7. If all the parameters are correct, increase the analog reference to the full scale value and check that the output voltage is the same as that on the motor data plate, that the current is approximately equal to the magnetizing current (for a standard asynchronous motor this is usually between 25% and 40% of the rated current) and that the output frequency is 50 Hz.
8. If the motor does not reach its maximum speed, self-tuning of the analog input may be necessary: set the input signal to its maximum value and set the **An inp 1 gain tune** parameter (PAR: 1508) to 1.
9. If the motor still rotates with a reference of zero, eliminate the condition by

self-tuning the analog input offset: set the input signal to its minimum value and set 1 for **An inp 1 offset tune** (PAR: 1506).

10. To reverse the direction of rotation, keep closed the **FR forward src (PAR 1042)** contact (terminals S3 – 8) and close the **FR reverse src (PAR 1044)** contact (terminals S3 – 9). The motor will start the deceleration ramp until reaching the zero speed, after which it will reverse the direction of rotation and move to the set speed with the acceleration ramp.
11. To stop the drive, open the **FR forward src (PAR 1042)** contact (terminals S3 – 8): the motor will start the deceleration ramp and the speed will move to zero, but the motor will remain magnetized. To interrupt magnetization, open the **Enable** contact (terminals S3 – 7).
12. If the **Enable** contact is opened while the motor is running, the inverter bridge is immediately disabled and the motor stops due to inertia.

Note !

Once you have verified the correct operation of the drive-motor system, the application can be customized by changing some of the parameters.

• **Summary of parameters**

The parameters used and/or modified in the Startup Wizard procedures are listed below.

Menu	PAR	Description	
16.1	2000	Rated voltage	Motor rated voltage
16.2	2002	Rated current	Motor rated current
16.3	2004	Rated speed	Motor rated speed
16.4	2006	Rated frequency	Motor rated frequency
16.5	2008	Pole pairs	Number of pole pairs
16.6	2010	Rated power	Motor rated power
16.9	2022	Autotune rotation	Self-tuning with motor rotating
16.10	2024	Autotune still	Self-tuning with motor at stand-still or coupled to the load
5.22	680	Full scale speed	Maximum speed setting
6.1	700	Acceleration time 0	Acceleration time 0
6.2	702	Deceleration time 0	Deceleration time 0
4.1	550	Save parameters	Save parameters in the non-volatile memory

Proceed to step 8.

Step 8 - Setting the motor in “Flux Vect OL” mode (sensorless)

Menu 04 DRIVE CONFIG, parameter 04.2 **Regulation mode**, PAR: 552, set = [1] Flux vector OL.

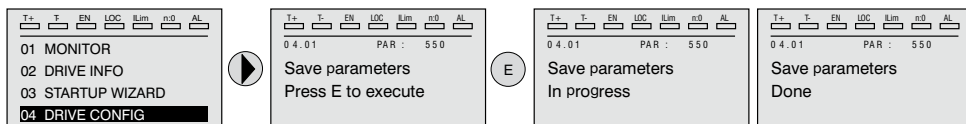
Test with no load applied to the motor

1. Set the value of PAR 2308 **OverFlux perc** to 120%.
2. Set the value of PAR 2312 **OverFlux spd thr** to approximately 25% of the rated speed.
3. Close the **Enable** contact (terminals S3 – 7).
4. Close the **FR forward src contact** (PAR 1042), terminals S3 – 8. The drive starts magnetising the motor.
5. Using the potentiometer, gradually increase the reference signal until reaching the maximum speed.
6. Open the **FR forward src contact** (PAR 1042), terminals S3 – 8, until reaching the minimum set speed requested by the application.
7. Check that the ramp is linear and, once the set value has been reached, that the minimum speed remains stable.

If the ramp is not linear and the minimum speed is not stable, reduce the value of PAR 2306 **Flux observe gain OL** in steps of 5.

Examples of values for PAR 2306 with standard 4-pole motors	
100	For motor power ratings up to 15 kW
40-50	For motor power ratings of 45-55 kW
20-30	For motor power ratings of more than 132 kW

8. To save the new parameter settings, so that they are maintained also after power-off, proceed as follows:



Test with rated load applied to the motor

1. Close the **Enable** contact (terminals S3 – 7).
2. Close the **FR forward src contact** (PAR 1042), terminals S3 – 8. The drive starts magnetising the motor.
3. Using the potentiometer, gradually increase the reference signal until reaching the maximum speed.
4. Open the **FR forward src contact** (PAR 1042), terminals S3 – 8, until reaching the minimum set speed requested by the application.
 - if current overload conditions occur at the minimum speed,
 - if the current exceeds the rated current value setting,
 - if the motor shaft is blocked at zero speed,
 reduce the value set in PAR 2306 **Flux observe gain OL** in steps of 5 until reaching the best working condition with no overload.
5. To save, repeat step 6.

7.2 First customized start-up

In this section a startup test is performed, using a standard configuration, to check drive functioning and command connections.

A programming sequence has to be run to achieve a first simple customisation in order to be able to set the drive for the requested application.

Note !

The main sections to be used, depending on the desired configuration, are described below.

• Typical connection diagrams

Auxiliary control circuits _____	see chapter 5.6, figure 5.6.1
Typical connection diagram, connection through terminals strip _____	see chapter 5.6, figure 5.6.2
Potentials of the control section, Digital I/O PNP connection _____	see chapter 5.2.4, figure 5.2.4.1
Other inputs connections (NPN-PNP) _____	see chapter 5.2.4, figure 5.2.4.2
NPN outputs connection _____	see chapter 5.2.4, figure 5.2.4.3

• Digital inputs

The table on [chapter 5.2.3](#) shows the default settings for the analog and digital inputs and outputs.

Note !

Digital input settings can only be edited from the Expert parameters, see paragraph "[6.5.2 Selection of Easy / Export mode](#)", [page 70](#).

• Selecting the regulation mode

First set the regulation mode in the **Regulation mode** parameter (04 DRIVE CONFIG menu, PAR: 552) :

- 0 V/f control.** This is the simplest and least advanced control mode. This mode can also be used to control several motors connected in parallel using a single drive.
- 1 Open loop field-oriented vector control (Flux vector OL).** In this mode, once the motor parameter self-tuning procedure has been performed, it is possible to create a mathematical model on which to perform all the necessary calculations in order to obtain high performance levels, especially high motor torque levels, even at very low speeds without the use of feedback, and achieve significant dynamic performance.

• Selecting the type of reference

After setting the regulation mode, the source of the speed reference must be set in the **Ramp ref 1 src** parameter (05 REFERENCES menu, PAR: 610). This source can be selected from among those listed in the L_MLTREF selection list:

- 1 Analog input 1 mon** parameter (PAR: 1500) to use the signal applied to terminals 1 – 2 of analog input 1 (14 - ANALOG INPUTS menu).
- 2 Dig ramp ref 1** parameter (05 - REFERENCES menu, PAR: 600) to set a digital speed inside the drive.
- 3 Multi ref out mon** parameter (07 - MULTI REFERENCE menu, PAR: 852) to select the digital speeds using the digital inputs of the drive.

- 4 **Mpot output mon** parameter (08 - MOTOPOTENTIOMETER menu, PAR: 894) to use the internal motor potentiometer of the drive. If sending the command from the operator keypad, to use the motor potentiometer function enter the **Mpot setpoint** parameter (PAR: 870) modify mode and press the Up (▲) and Down (▼) keys.
- 5 **Jog output mon** parameter (09 - JOG FUNCTION menu, PAR: 920) to use one of the drive's internal jog speeds.

Signals from expansion cards, the serial line or fieldbus can also be set as speed references (see the detailed description of parameters).

• Setting the type of analog reference

If the analog input has been selected, choose the type of signal to use in the **Analog inp 1 type** parameter (14 - ANALOG INPUTS menu, PAR: 1502):

- | | |
|----------|----------------|
| 0 | ± 10V |
| 1 | 0-20mA o 0-10V |
| 2 | 4-20mA |

As well as programming the **Analog inp 1 type** parameter (PAR:1502) you must also verify the position of the switches on the regulation card, as showed on chapter 5.2.4.

• Ramps setting

The acceleration and deceleration ramps can be set in **Acceleration time 0** (06 - RAMPS menu, PAR: 700) and **Deceleration time 0** (PAR: 702).

The signal available on the analog input can be adjusted using **Analog inp 1 scale** parameter (14 - ANALOG INPUTS menu, PAR: 1504), **An inp 1 offset tune** parameter (PAR: 1506) and **An inp 1 gain tune** parameter (PAR: 1508).

To use a digital speed to control the drive, enter it in the **Dig ramp ref 1** parameter (05 - REFERENCES menu, PAR: 600).

The ramps are the same used with the reference signal from the analog input.

• Multispeed

To use more than one digital speed, use the multi-speed function.

First select the source of the speed signals **Multi ref 0 src** and **Multi ref 1 src** (07 - MULTI REFERENCE menu, PAR: 832 e 834) from the L_MLTREF selection list.

Next define which digital inputs are to perform switching between the various speeds; use the **Multi ref sel .. src** parameters (PAR: from 840 to 846) to select the signals to use from the L_DIGSEL2 selection list. Set the desired speeds in the **Multi reference 0...7** parameters (PAR: from 800 to 814).

Also in this case the ramps can be set in the **Acceleration time 0** parameter (06 - RAMPS menu, PAR: 700) and **Deceleration time 0** parameter (PAR: 702) parameters.

• Motor potentiometer

To use the motor potentiometer, the signals to increase or decrease the reference must be defined: set the **Mpot up src** parameter (08 - MOTOPOTENTIOMETER menu, PAR: 884) and **Mpot down src** parameter (PAR: 886) parameters respectively to increase and decrease the reference using selection list L_DIGSEL2.

Set the motor potentiometer ramps using **Mpot acceleration** (PAR: 872) and **Mpot deceleration** parameters (PAR: 874).

• Jog

Finally, for Jog mode, select the control terminal in the **Jog cmd + src** parameter (09 - JOG FUNCTION menu, PAR: 916), using a signal from selection list L_DIGSEL2.

The Jog speed must be written in the **Jog setpoint** parameter (PAR: 910), while the acceleration and deceleration ramps can be set, respectively, in **Jog acceleration** (PAR: 912) and **Jog deceleration** parameters (PAR: 914).

• Speed limits

After selecting the reference, set the speed limits in the following parameters (05 - REFERENCES menu):

- **Full scale speed** (PAR: 680). Setting of the maximum motor speed, which usually coincides with the rated speed indicated on the motor data plate.
- **Speed ref top lim** (PAR: 670). Upper speed limit: the maximum setting is 200% of the **Full scale speed**.
- **Speed ref bottom lim** (PAR: 672). Lower speed limit: the maximum setting is -200% of the **Full scale speed**.
- **Overspeed threshold** (24 - ALARM CONFIG menu, PAR: 4540). Overspeed alarm limit.

• Input and Output terminals

The default setting of the input terminals is as follows:

- Terminal 7	Digital input E	Enable
- Terminal 8	Digital input 1	FR forward src, PAR 1042
- Terminal 9	Digital input 2	FR reverse src, PAR 1044
- Terminal 10	Digital input 3	Null (not assigned)
- Terminal 11	Digital input 4	Null (not assigned)
- Terminal 12	Digital input 5	Fault reset src
- Terminal S3	+ 24V OUT	I/O supply

The default configuration of the terminals dedicated to digital outputs are as follows:

- Terminal R14	Digital output 1	Drive OK (Relay 1)
- Terminal R11	COM Digital output 1	Common digital output 1 (Relay 1)
- Terminal R24	Digital output 2	Drive ready (Relay 2)
- Terminal R21	COM Digital output 2	Common digital output 2 (Relay 2)
- Terminal I3	Digital output 3	Speed is 0 delay
- Terminal IC1	COM Digital output 3/4	Common ref. for digital outputs 3 / 4
- Terminal I4	Digital output 4	Ref is 0 delay
- Terminal IS1	PS Digital output 3/4	Digital outputs 3 / 4 power supply

Signals for the digital outputs can be programmed using the **Digital output 1...4 src** parameters (13 - DIGITAL OUTPUTS menu, PAR: from 1310 to 1316) using the settings in the L_DIGSEL1 selection list.

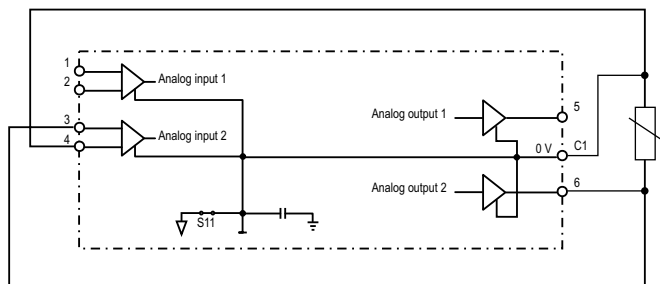
The drive also includes two analog outputs which are not factory-set. These outputs must be enabled by setting **Analog out 1 src** (15 - ANALOG OUTPUTS menu, PAR: 1800) and **Analog out 2 src** parameters (PAR: 1802) with a signal selected from selection list L_ANOUT.

The signal available on analog output 1 is $\pm 10V$, while the analog output 2 signal can be selected using the **Analog out 2 type** parameter (PAR: 1848) between:

0	0-20mA
1	4-20mA
2	$\pm 10V$

The analog output signal can be adjusted using **Analog out 1 scale** (PAR: 1808) and **Analog out 2 scale** parameters (PAR:1810).

• Setting an analog output for reading a temperature sensor



The following is a description of the commissioning procedure to use the drive's **ADV200 WA** regulation card to acquire the temperature of a motor with **KTY84 / PTC** sensors:

- The sensor can be powered via analog output 2 of the ADV200: connect the signal to analog output 2 as shown (input 1 can be used as an alternative).
- Set analog output 2 to "current" via the Jumper (S3=I).
- Set analog output 2 (or 1) to voltage via the Jumper (S2=V or S1=V).
- On the **ANALOG OUTPUTS** menu, assign the value "**0..20mA**" to the **Analog out 2 type** parameter (PAR 1848).
- On the **ANALOG INPUTS** menu, assign the value "**-10V..+10V**" to **Analog inp 2 type** parameter (PAR 1552) or to the **Analog inp 1 type** parameter (PAR 1502).
- On the **ANALOG OUTPUTS** menu, assign the selection "**Null**" to the **Analog out 2 src** parameter (PAR 1802), which sets a null current in output.
- On the **ANALOG INPUTS** menu, run automatic calibration of the analog offset of the selected output: 1 or 2 via the **An inp 1 offset tune** parameter (PAR 1506) or the **An inp 2 offset tune** parameter (PAR 1556).
- On the **ANALOG OUTPUTS** menu, assign the selection "**KTY84/PTC current**" to the **Analog out 2 src** parameter (PAR 1802), which lets you set a current of **2mA** in output to power the temperature sensor.
- On the **ALARM CONFIG** menu, assign the value "**KTY84 An1**" or "**KTY84 An2**" ("**PTCAn1**" or "**PTC An2**"), depending on the analog output selected, to the **MotorOT probe** parameter (PAR 4530).
- On the **MONITOR** menu, the **Motor temperature** parameter (PAR 290) displays the motor temperature in °C (if KTY84 is selected).
- On the **ALARM CONFIG** menu, the **MotorOT mon** parameter (PAR 4536) displays sensor resistance in ohms or °C.
- On the **ANALOG INPUTS** menu, the **Analog inp 1 filter** parameter (PAR 1510) or **Analog inp 2 filter** parameter (PAR 1560) can be used to filter the resistance and temperature measurements.

• Keypad

Use the **LOC / REM** key with the Enable input open (terminal 7 on terminal strip T2) to control running, to stop and reverse the direction of rotation of the motor using the operator keypad on the drive. Use the potentiometer or an analog signal to control speed.

For information on how to use a digital speed reference, see the example on

paragraph "7.3.3 Variable interconnections mode", page 92. The reference can have a positive or negative value, making it possible to reverse the direction of rotation of the motor.

When the Enable input is closed, to enable motor running press **START**. The motor starts the acceleration ramp and moves to the speed set in the FWD direction. With the motor running you can adjust the speed using the PAR 602 **Dig ramp ref 2** (or PAR 604 **Dig ramp ref 3**, in this case modify also the selection PAR 614 **Ramp ref 3 src** to PAR 604 **Dig ramp ref 3**) and the acceleration/deceleration ramps using **Acceleration time 0** (PAR: 700) and **Deceleration time 0** (PAR: 702).

To change the direction of rotation press **FWD/REV**.

To stop the motor with the deceleration ramp, press **STOP**.

If the Enable contact is opened the inverter bridge is immediately disabled and the motor stops for inertia

To return to control using the terminal strip commands and analog speed reference:

1. Stop the motor
2. Open the Enable terminal
3. Press **LOC / REM** key.

Note !

For more customizations and any information that is not included in this initial customization guide, see the "Function description and parameters list" manual downloadable from WEG web site ([https://www.weg.net/...](https://www.weg.net/)).

7.3 Programming

7.3.1 Menu display modes

The programming menu can be displayed in two modes, which can be selected using the **Access mode** parameter (04 - DRIVE CONFIG menu), see paragraph "6.5.2 Selection of Easy / Export mode", page 70:

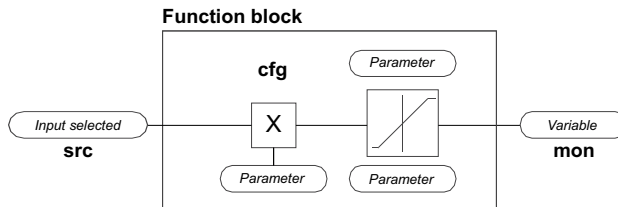
- **Easy** (default) only the main parameters are displayed.
- **Expert** all the parameters are displayed.

7.3.2 Programming of "function block" analog and digital input signals

The signals, variables and parameters of each single "function block" of the drive are interconnected in order to achieve the configurations and controls inside the control system. These can be managed and modified using the keypad, PC configurator or fieldbus programming.

The programming mode is based on the following logic:

- src** (source; i.e.: **Ramp ref 1 src**, PAR: 610)
This term defines **the source of the function block input**, i.e. the signal to be processed in the function block.
The different configurations are defined in the relative **selection lists**.
- cfg** (configuration; i.e.: **Mpot init cfg**, PAR: 880)
This term refers to **the parameter setting and its effect on the function block**.
For example: Ramp times, internal reference adjustment, etc...
- mon** (display; i.e.: **Ramp ref 1 mon**, PAR: 620)
This term refers to the **variable output from the function block, which is the result of the calculations performed on the actual block**.



7.3.3 Variable interconnections mode

The **source (src)** allows the desired control signal to be assigned to the function block input. This operation is performed by using specific selection lists.

Possible control signal sources:

1 – Physical terminal

The analog and digital signals come from the terminal strip of the regulation card and/or from those of the expansion cards.

2 – Drive internal variables

Internal drive control system variables, from "function block" calculations, sent via keypad, PC configurator or fieldbus.

Practical example

The following examples illustrate the philosophies and methods with which more

or less complex operations are performed in the single “function blocks”, the results of which represent the output of the block.

• *Example: Changing the Speed Reference source*

The main drive reference (in the default configuration) **Ramp ref 1 mon** (PAR: 620) is generated by the output of the function block “**Ramp setpoint Block**”.

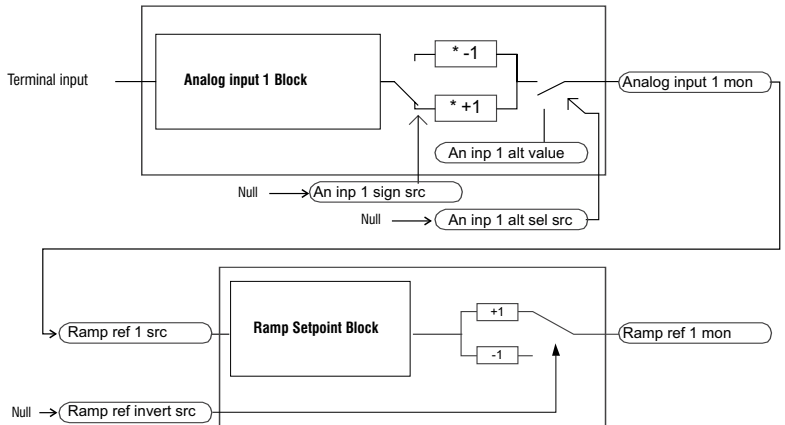
Its default source is the **Analog input 1 mon** signal (PAR: 1500), from the output of the function block “**Analog input 1 Block**”, which in this case refers to analog input 1 of the signal terminal strip.

To change the reference source from the analog input to a digital reference inside the drive, the input signal must be changed to “**Ramp setpoint Block**”.

Enter the **Ramp ref 1 src** parameter (PAR: 610) and set a new reference, selecting it from among those listed in the L_MLTREF selection list, for example **Dig ramp ref 1** (PAR: 600).

• *Example: Inverting the analog reference signal*

To invert the “**Analog input 1 Block**” output signal, the value of the **An inp 1 sign src** parameter (PAR: 1526), which has a default setting of **Null** (no operation), must be changed by selecting the source of the command signal from among those listed in the L_DIGSEL 2 selection list, for example **Digital input X mon, One** (function always enabled), etc.



The diagrams above illustrate the internal processing philosophy of the single “function blocks” and the result of these changes on the other interconnected “function blocks”.

Note !

.....
 This section contains a brief description of the functions of the other parameters in the function blocks not included for the changes in the example.

The **An inp 1 alt sel src** parameter (PAR: 1528) can be used to select an alternative reference for the **Analog input 1 mon** (PAR: 1500) output.

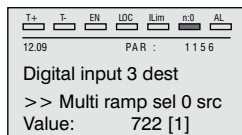
The **An inp 1 alt value** parameter (PAR: 1524) determines the alternative reference value for the **Analog input 1 mon** (PAR: 1500) output.

The **Ramp ref invert src** parameter (PAR: 616) can be used to select the source for the command to reverse the **“Ramp setpoint”** function block output.

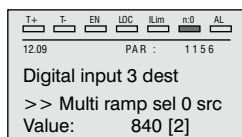
The output signal from the **“Ramp setpoint”** block is displayed in the **Ramp ref 1 mon** parameter (PAR: 620).

7.3.4 Multiple destination

Several functions can be assigned together to each input: to display which and how many functions have been assigned to each input, check the relative **“dest”** parameter to see whether there is a number shown in square brackets to the right of the number of the selected parameter (as shown in the figure below).



If there is a number, press the key to display the next source applied to the selected input.



8 - Troubleshooting

8.1 Alarms

Note !

To reset alarms, see [paragraph 6.6.1](#).

In the following table, the Code is visible only from serial line.

Code	Error message shown on the display	Sub-code	Description
0	No alarm	Condition: No alarm present	
1	Overvoltage	Condition: DC link overvoltage alarm due to energy recovered from the motor. The voltage arriving at the drive power section is too high compared to the maximum threshold relating to the PAR 560 Mains voltage parameter setting.	
		Solution: - Extend the deceleration ramp. - Use a braking resistor between terminals BR1 and BR2 to dissipate the recovered energy - Use the VDC Control function	
2	Undervoltage	Condition: DC link undervoltage alarm. The voltage arriving at the drive power section is too low compared to the minimum threshold relating to the 560 Mains voltage parameter setting due to: - the mains voltage being too low or overextended voltage drops. - poor cable connections (e.g. loose contactor terminals, inductance, filter, etc.).	
		Solution: Check the related connections of the drive power supply and its correct range.	
3	Ground fault	Condition: Ground short circuit alarm	
		Solution: - Check drive and motor wiring. - Check that the motor is not grounded.	
4	Overcurrent	Condition: Instantaneous overcurrent protection intervention alarm. This may be due to the incorrect setting of current regulator parameters or a short circuit between phases or ground fault on the drive output.	
		Solution: - Check the current regulator parameters - Check wiring towards the motor	
5	Desaturation	Condition: Instantaneous overcurrent in the IGBT bridge alarm.	
		Solution: Switch the drive off and then switch it on again. If the alarm persists, contact the technical service centre.	
6	MultiUndervolt	Condition: The number of attempted automatic restarts after the Undervoltage alarm has exceeded the set PAR 4650 UVRep attempts value in the PAR 4652 UVRep delay time.	
		Solution: Too many Undervoltage alarms. Adopt the proposed solutions for the Undervoltage alarm.	
7	MultiOvercurr	Condition: 2 attempted automatic restarts after the Overcurrent alarm within 30 seconds. If more than 30 seconds pass after the Overcurrent alarm was generated, the attempt counter is reset.	
		Solution: Too many Overcurrent alarms. Adopt the proposed solutions for the Overcurrent alarm.	
8	MultiDesat	Condition: 2 attempted at automatic restarts after the Desaturation alarm within 30 seconds. If more than 30 seconds pass after the Desaturation alarm was generated, the attempt counter is reset.	
		Solution: Too many Desaturation alarms. Adopt the proposed solutions for the Desaturation alarm.	
9	Heatsink OT	Condition: Heatsink temperature too high alarm	

		<p>Solution:</p> <ul style="list-style-type: none"> - Verify the correct operation of the cooling fan. - Check that the heatsinks are not clogged - Check that the openings for the cabinet cooling air are not blocked. 				
10	Heatsinks OTUT	<p>Condition: IGBT modules temperature too high or too low alarm</p> <p>Solution:</p> <ul style="list-style-type: none"> - Verify the correct operation of the cooling fan. - Check that the heatsinks are not clogged - Check that the openings for the cabinet cooling air are not blocked. 				
11	Intakeair OT	<p>Solution:</p> <ul style="list-style-type: none"> - Check correct fan operation - Check that the heatsinks are not clogged - Check temperature in electrical panel. <p>Solution: Check correct fan operation</p>				
12	Motor OT	<p>Condition: Motor overtemperature alarm. Possible causes:</p> <ul style="list-style-type: none"> - Load cycle too heavy - The motor is installed in a place where the ambient temperature is too high - If the motor is provided with a blower: the fan is not working - If the motor is not provided with a blower: the load is too high at slow speeds. Cooling the fan on the motor shaft is not sufficient for this load cycle. - The motor is used at less than the rated frequency, causing additional magnetic losses. <p>Solution:</p> <ul style="list-style-type: none"> - Change the processing cycle. - Use a cooling fan to cool the motor. 				
13	Drive overload	<p>Condition: Drive overload alarm. The overload threshold of the accumulator of the I²t drive thermal image has been exceeded.</p> <p>Solution: Check that the size of the drive is suitable for the application.</p>				
14	Motor overload	<p>Condition: Motor overload alarm. The current absorbed during operation is greater than that specified on the motor data plate. The overload threshold of the accumulator of the I²t motor thermal image has been exceeded.</p> <p>Solution:</p> <ul style="list-style-type: none"> - Reduce the motor load. - Increase the size of the motor. 				
15	Bres overload	<p>Condition: Braking resistor overload alarm. The current absorbed by the resistor is greater than the rated current. The overload threshold of the accumulator of the P²t braking resistor thermal image has been exceeded.</p> <p>Solution: Increase the Watt value of the braking resistor</p>				
16	Phase loss	<p>Condition: Power phase loss alarm.</p> <p>Solution: Check the mains voltage and whether any protections upstream of the drive have been tripped.</p>				
17	Opt Bus fault	<p>Condition: Error in the configuration stage or communication error.</p> <table border="1"> <tr> <td>XXX0H-X</td> <td>If the first digit to the left of "H" in the alarm sub-code is 0, the error regards a communication problem.</td> </tr> <tr> <td>XXXXH-X</td> <td>If the first digit to the left of "H" in the alarm sub-code is other than 0, the error regards a configuration problem.</td> </tr> </table> <p>Solution: For configuration errors, check the configuration of the bus communication, type of bus, baudrate, address, parameter setting. For communication errors verify wiring, resistance of terminations, interference immunity, timeout settings. For further details, please refer to the user guide for the specific bus.</p>	XXX0H-X	If the first digit to the left of "H" in the alarm sub-code is 0, the error regards a communication problem.	XXXXH-X	If the first digit to the left of "H" in the alarm sub-code is other than 0, the error regards a configuration problem.
XXX0H-X	If the first digit to the left of "H" in the alarm sub-code is 0, the error regards a communication problem.					
XXXXH-X	If the first digit to the left of "H" in the alarm sub-code is other than 0, the error regards a configuration problem.					
18	Opt 1 IO fault	<p>Condition: Error in the communication between Regulation and I/O expansion card in slot 1</p> <p>Solution: Check that it has been inserted correctly, see chapter 11.5.</p>				
19	Opt 2 IO fault	<p>Condition: Error in the communication between Regulation and I/O expansion card in slot 2 or 3</p> <p>Solution: Check that it has been inserted correctly, see chapter 11.5.</p>				

20	Not Used 1	
21	External fault	Condition: External alarm present. A digital input has been programmed as an external alarm, but the +24V voltage is not available on the terminal.
		Solution: Check that the terminal screws are tight
22	Not Used 1	
23	Overspeed	Condition: Motor overspeed alarm. The motor speed exceeds the limits set in the PAR 4540 Overspeed threshold parameter .
		Solution: - Limit the speed reference. - Check that the motor is not driven in overspeed during rotation.
24	Speed ref loss	Condition: Speed reference loss alarm Occurs if the difference between the speed regulator reference and the actual motor speed is more than 100 rpm. This condition occurs because the drive is in the current limit condition. It is only available in the Flux Vect OL and Flux Vect OC mode.
		Solution: - Check the drive load conditions - Check the number of encoder impulses
25	Emg stop alarm	Condition: Emergency stop alarm. The Stop key on the keypad was pressed with the PAR 1008 Stop key mode parameter set to EmgStop&Alarm . Active in remote control mode (PAR 1012=1) both by using "Terminals" command or "Digital" commands and, in local control mode (PAR 1012=0) by using "Terminals" command.
		Solution: Eliminate the reason for which the Stop key on the keypad was pressed and reset the drive.
26	Power down	Condition: The drive was enabled with no supply voltage at the power section.
		Solution: Emergency stop alarm. The Stop key on the keypad was pressed with the Stop key mode parameter set to EmgStop&Alarm in case of Remote-> Terminal Strip or Remote-> Digital or Local-> Terminal Strip mode.
27	Broken belt	Condition: Occurs if torque required from motor falls below a programmed threshold (PAR 7702) and if speed exceeds a programmed threshold (PAR 7706).
		Solution: Check system mechanics.
28	End curve	Condition: The value of the feedback signal (for example, pressure transducer) is below the reference value and rotation speed is higher than the threshold set in parameter 7712. The alarm is generated if this condition persists for a time equal to the value set in parameter 7714
		Solution: <ul style="list-style-type: none"> • Check configuration of parameters on menu 26.11. • Check for system leakages. • Check the feedback sensor.
29 30	Dry pump No flow	Condition: The value of delivered power (parameter 7752) is below the limits defined by the minimum power curve.
		Solution: <ul style="list-style-type: none"> • Check configuration of parameters on menu 26.11. • Check for system leakages.
31	Clean alarm	Condition: If cleaning cycles are performed too frequently, there may be a problem with the pump that requires the attention of an operator. In that case a specific alarm is generated. Only cleaning cycles that start following an external event (digital signal) or analog measurement are considered for this alarm.
		Solution: Check the system..
32	Not Used 6	

33 ... 40	Plc1 fault ... Plc8 fault	Condition: Enabled application developed in the IEC 61131-3 environment has found the conditions for generating this specific alarm to be true. The meaning of the alarm depends on the type of application. For more information, refer to the documentation concerning the specific application..	
		XXXXH-X	The XXXXH-X code indicates the reason for the error: make a note of this to discuss it with the service centre.
		Solution: Refer to the documentation concerning the enabled application.	
52 53 54 55	Analog 1 Err Analog 2 Err Analog 3 Err Analog 4 Err	Condition: If an analog measurement is out of the allowed range an "Analog X err" alarm is generated. This control is only possible for 4-20 mA, PT100, PT1000, NI1000 probes. For temperature probes both short-circuits and power loss on the cable are detected. For 4-20 mA probes only power loss on the cable is detected. Analog 1 Err = Error on analog channel 1 Analog 2 Err = Error on analog channel 2 Analog 3 Err = Error on analog channel 1 of expansion card Analog 4 Err = Error on analog channel 2 of expansion card	
		Solution: Check connections.	

8.2 Messages

Note !

For more information see [chapter 6.7](#).

Index	Error message shown on the display	Sub-code	Description
1	Load default param	<p>Condition: may occur during loading of the parameter database saved in flash normally appears in the following conditions: at initial power-on when a new firmware version is downloaded, when the regulation is installed on a new size, when the region is changed. If this message is displayed when the drive is already operating, this means that a problem has occurred in the parameter database saved in Flash. If this message is displayed the drive restores the default database, i.e. the one downloaded.</p>	
		0001H-1	The database saved is not valid
		0002H-2	The database saved is not compatible
		0003H-3	The database saved refers to a different size from the current size
		0004H-4	The database saved refers to a different region from the current region
		Solution: Set the parameters to the value required and perform Save parameter	
2 3 4	Option detect slot 1 Option detect slot 2 Option detect slot 3	<p>Condition: at power-on, the drive recognizes the presence of an optional card in one of the three expansion slots. One of the three messages is shown on the display</p>	
		0H-0	None
		0004H-4	Can/DeviceNet
		00FFH-255	Unknown
		0104H-260	Profibus
		0204H-516	Rte
		0301H-769	I_0_1
		0701H-1793	I_0_2
		0901H-2305	I_0_3
		0D01H-3329	I_0_4
		1601H-5633	I_0_6 (EXP-IO-SENS-100-ADV)
		1901H-6401	I_0_7 (EXP-IO-D5R8-ADV)
		1E01H-7681	I_0_8 (EXP-IO-SENS-1000-ADV)
		Solution:	
5	Autotune	Condition: this may occur during the Autotune procedure	
		0	No error
		1	The commands are not configured in Local mode.
			Solution: Execute the requested configuration
		2	The Commands local sel parameter has not been configured from the keypad
			Solution: Execute the requested configuration
3	The motor plate data parameters have changed but the Take parameters command, PAR 2020, has not been executed		
	Solution: Execute the Take parameters command.		
4	Error in motor connection.		
	Solution: Check the motor connection, set the value of the direct current of the motor to 1/3 and perform the motor autotune procedure. Then increase the direct current until autotuning is executed. The penultimate value is the nominal current value at which the drive performs autotuning.		

Index	Error message shown on the display	Sub-code	Description
		5	While running self-tuning the ESC key was pressed or the enable contact was opened or an alarm occurred. The Autotune command was sent with the drive in the alarm condition
			Solution: Eliminate the reason for the alarm, remove the reason for the opening of the enable contact, reset alarms.
		6	A setting performed by the Autotune function produced a parameter value outside the min or max range.
			Solution: Check the motor plate data or drive and motor sizes have been combined incorrectly.
		7	The Autotune command was sent without being enabled.
			Solution: Close the enable contact before sending the Autotune command
		8	Internal calculation error concerning IGBT control
			Solution: Perform autotuning once more, if the problem persists, contact the WEG technical support centre.
		9	The drive has measured a stator resistance value exceeding the set limit.
			Solution: contact the WEG technical support centre.
		10	The drive has measured a stator resistance value below the set limit.
			Solution: contact the WEG technical support centre.
		11-12	Measurement of DTL internal compensation voltage outside accepted range.
			Solution: check connection between drive and motor. If correct, the drive is faulty, contact the WEG technical support centre.
		13-14	Measurement of DTS internal voltage outside accepted range.
			Solution: check connection between drive and motor. If correct, the drive is faulty, contact the WEG technical support centre.
		15 - 16 -17	LS leakage inductance value outside accepted range.
Solution: Perform autotuning once more, if the problem persists, contact the WEG technical support centre.			
18-19	Measurement of Im magnetising current outside accepted range.		
	Solution: Perform autotuning once more, if the problem persists, contact the WEG technical support centre.		
20-21	Measurement of Rr rotor resistor outside accepted range.		
	Solution: Perform autotuning once more, if the problem persists, contact the WEG technical support centre.		
Solution: If the message appears with a value other than 0, follow the instructions supplied for each particular case and repeat Autotune . This should be performed using the wizard function available from the keypad (STARTUP WIZARD) and the Tool software on the PC. Pay attention to all motor plate data parameters, especially:			
- Rated speed, Motor rated speed in rpm.			
- Rated frequency, Motor rated frequency in Hz			
- Pole pairs, Motor pole pairs			
Take care not to set the Rated speed parameter to the synchronous speed. The value of the Rated speed parameter must be less than: $[(\text{Rated frequency} * 60) / \text{Pole pairs}]$.			
If the problem persists even after following the instructions supplied, confirm the values of the motor plate data parameters, execute the Take parameters command but not Autotune .			
6	Power config	Condition: may occur during recognition of power cards. If this message is displayed, it is not possible to drive the motor.	
		0020H-32	The power card is configured for a drive that is incompatible with the regulation card
		0021H-33	The configuration of the power card is not compatible with the regulation card
		0017H-23	The configuration required is not available on the power card

Index	Error message shown on the display	Sub-code	Description
		Solution: Download the correct configuration on the power card	
7	Save par failed	Condition: during transfer of the parameters from the drive to the memory of the keypad	
		0H-0	Communication error
		0025H-37	The data saved on the keypad are not valid
		0026H-38	Incompatible drive series
		0027H-39	Incompatible software version
		0028H-40	Incompatible drive size
		0029H-41	Error during saving of parameters on the drive
		Solution:	
8	Load par failed	Condition: during transfer of the parameters from the memory of the keypad to the drive	
9	Load par incomplete	0H-0	Communication error
		0025H-37	The data saved on the keypad are not valid. No parameter is transferred from the keypad to the drive
		0026H-38	Incompatible control type. No parameter is transferred from the keypad to the drive
		0027H-39	Incompatible software version. All the parameters present in the memory of the keypad have been transferred to the drive. The set of parameters transferred refers to a drive with a different firmware version; therefore, certain parameters may not be updated.
		0028H-40	Incompatible control type. All the parameters present in the memory of the keypad (excluding those that depend on the size of the drive), have been transferred to the drive. The parameters that depend on size maintain their original value.
		0029H-41	Error during saving of parameters on the drive. All the parameters present in the memory of the keypad have been transferred to the drive. The transfer of one or more parameters has caused an "out of range" error, or one or more parameters does not exist. At the end of transfer, one or more parameters may not have been updated.
		002AH-42	PLC application release and version not compatible. All parameters in the keypad memory have been transferred to the drive. The transferred set of parameters relates to a drive with a PLC application in which the version and release of the application are different. As a result some of the PLC application parameters may not be updated.
		002BH-43	PLC application not compatible. All the parameters in the keypad memory except those relating to the PLC application have been transferred to the drive. The transferred set of parameters relates to a drive with a different PLC application. As a result none of the PLC application parameters are updated.
		Solution: Recover a set of parameters from a compatible drive (model and size)	
10	Options config error	Condition: may occur at drive start-up, during recognition of the optional cards installed	
		0001H-1	Non-permissible optional card in slot 1
		0002H-2	Non-permissible optional card in slot 2
		0004H-4	Non-permissible optional card in slot 3
		0010H-16	Conflict slot 1 with slot 2
		0020H-32	Conflict slot 1 with slot 3
		0040H-64	Conflict slot 2 with slot 3
		Solution: Remove the optional cards from the incorrect slots and insert them in the correct slots	

Index	Error message shown on the display	Sub-code	Description
11	Load def plc	<p>Condition: may occur during loading of the parameter database saved in the Flash of the Mdplc application Normally appears at initial power-on after downloading a new application. If this message is displayed when the drive is already operating, this means that a problem has occurred in the parameter database saved in Flash. If this message appears the drive restores the default database, i.e. the one that was downloaded.</p>	
		0001H-1	The database saved is not valid
		Solution: Set the parameters to the value required and perform Save parameter	
12	Plc cfg error	<p>Condition: may occur during loading of the Mdplc application The Mdplc application present on the drive is not run.</p>	
		0004H-4	The application downloaded has a different Crc on DataBlock and Function table
		0065H-101	The application downloaded has an invalid identifier (Info)
		0066H-102	The application downloaded has an incorrect task number (Info)
		0067H-103	The application downloaded has an incorrect software configuration
		0068H-104	The application downloaded has a different Crc on DataBlock and Function table
		0069H-105	A Trap error or System error has occurred. The drive automatically performs a Power-up operation. The application is not run. See in Alarm List for further information regarding the error occurred
		006AH-106	The application downloaded has an incorrect identifier (Task)
		006BH-107	The application downloaded has an incorrect task number (Task)
006CH-108	The application downloaded has an incorrect Crc (Tables + Code)		
Solution: Remove the Mdplc application or download a correct Mdplc application			
13	Plc 1	Reserved messages and dedicated to the PLC application. See the application manual.	
14	Plc 2		
15	Plc 3		
16	Plc 4		
17	Option bus fault	<p>Condition: this may occur when the drive is turned on, during fieldbus card setup. Error during configuration or communication error.</p>	
		XXX0H-X	If the first digit to the left of "H" in the alarm sub-code is 0, the error regards a communication problem.
		XXX0H-X	If the first digit to the left of "H" in the alarm sub-code is other than 0, the error regards a configuration problem.
		<p>Solution: For configuration errors, check the configuration of the bus communication, type of bus, baudrate, address, parameter setting. For communication errors, check wiring, termination resistors, disturbance immunity, timeout settings. For further details, please refer to the user guide for the specific bus.</p>	
18	Key failed	<p>Condition: this may occur when powering the drive, if the incorrect enable key is inserted for a given firmware function.</p>	
		0001H-1	Incorrect PLC key. PLC application not available.
		Solution: Ask WEG to supply the correct key to enable the desired firmware function.	
19	Key expiring	<p>Condition: this may occur at drive power-on if the incorrect enabling key was inserted for a given firmware function. At this stage the firmware function can still be used freely, but this time limit is about to expire.</p>	
		xxxxH-x	Number of hours for which the function can still be used freely.
		Solution: Ask WEG for the correct key to enable the desired firmware function.	

9 - Specification

9.1 Environmental Conditions

Installation location _____	Pollution degree 2 or lower (free from direct sunlight, vibration, dust, corrosive or inflammable gases, fog, vapour oil and dripped water, avoid saline environment).
Installation altitude _____	Up to 1000m (3280 feet) above sea level without derating. Over 1000m and up to 4000m (13123 feet): see section 9.6.1 Derating factors.
Mechanical conditions for installation _____	Vibrational stress: EN 60721-3-3 Class 3M1
Operating temperature _____	-10...+40°C [14°...104°F] (sizes 72000 ... 73550) -10...+35°C [14°...95°F] (size 74000)
Operating temperature (1) _____	+40°C (+35°C) ... +50°C with derating, +104°F (95°F) ... +122°F with derating
Air humidity (operating) _____	from 5 % to 85 % and from 1 g/m ³ to 25 g/m ³ without moisture condensation or icing (class 3K3 as per EN50178)
Air pressure (operating) [kPa] _____	86 to 106 (class 3K3 as per EN50178).

- (1) In menu 4 - DRIVE CONFIG set the Ambient temperature parameter, PAR 564, to 1 (50°C).
10 % derating of output current.




=====

The drive is suitable for use under the environmental service conditions (climate, mechanical, pollution, etc.) defined as usual service conditions according to EN61800-2.

=====

9.2 Standards

Directive EC _____	LVD 2014/35/EU, EMC 2014/30/EU, RoHS 2011/65/EU
Electrical safety _____	EN 61800-5-1, UL508C, UL840 degree of pollution 2, Overvoltage category 3.
Operating safety _____	(for ADV200...+SI series) IEC EN 61800-5-2, SIL 3 ; ISO EN 13849-1, PL "e"
EMC compatibility _____	EN61800-3 (EMC conducted: immunity and emissions) With std integrated filters (excluded ADV200-...-DC): Immunity: environment 2 Conducted emission: environment 2, category C3 and motor cable length up to 50 mt Radiated emission: determined by cabinet of final application With external optional filters (see ch. 10.3): Immunity: environment 1 or 2 Conducted emission: environment 2, cat. C3 and motor cable length 100 mt, Radiated emission: determined by cabinet of final application
Protection degree _____	IPO0
Approvals _____	

9.3 Accuracy (Asynchronous)

9.3.1 Current control

Type _____ Flux vector OL (Open Loop Field Oriented Control)
Loop sampling time _____ 125 μ s
Response time _____ 600 - 1600 μ s
PWM frequency _____ 2, 4 kHz (size dependent)

9.3.2 Speed control

Type _____ Flux vector OL (Open Loop Field Oriented Control)
Loop sampling time _____ 125 μ s
Response time _____ 5 - 10ms
Speed measurement _____ FP, F mode
Speed regulation accuracy _____ Flux vector OL: \pm 30 % rated slip
V/F : \pm 60 % rated slip

9.3.3 Speed control limits

Control range (1) _____ \pm 32000 rpm
Speed format (1) _____ 32 bit
Frequency range _____ \pm 2000 Hz

(1) referred to Full scale speed, PAR:680.

Sizes	Max frequency		Min frequency	
	Flux vector OL	VF	Flux vector OL	VF
72000	150 Hz	500 Hz	0,5 Hz	1 Hz
72500 ... 1800 kW	150 Hz	200 Hz		

9.3.4 Torque control

Torque resolution (2) _____ > 0.1 %
Torque regulation accuracy (2) _____ FVCL : \pm 5%
Direct torque control _____ yes
Current limitation _____ Limits \pm , Limits mot/gen, Limits variable

(2) referred to rated torque

9.3.5 Overload

Heavy duty (HD) _____ 150% 60 sec each 300 sec, 180% 0,5 sec each 300 sec.
Light duty (LD) _____ 110% 60 sec each 300 sec.

9.4 DC circuit

Overvoltage threshold (Overvoltage) _____ 1192 V_{DC}
Undervoltage threshold (Undervoltage) _____ 676 V_{DC} (@ 690 V_{AC}); 563 V_{DC} (@ 575 V_{AC})

9.5 Input electrical data

9.5.1 AC power supply

AC Input voltage, U_{LN} _____ three-phase mains 500 V_{AC} -10% ... 690 V_{AC} +10%
 AC Input frequency _____ 50/60 Hz, \pm 5%
 Maximum line voltage unbalance _____ 3 %
 Choke _____ external mandatory (\geq sizes 72000)
 Total harmonic distortion (THD) _____ 40% Light duty, 50% Heavy duty (at nominal current)
 Connection to TT and TN Networks _____ yes, standard version
 Connection to IT Networks: _____ yes, standard version only for sizes \geq 72000 (with integrated EMI filter and max. distance of 50 m between inverter and motor)

ADV200 WA-...-6 versions (@ 690 V _{AC})		
Sizes	AC Input current	
	Heavy duty (A)	Light duty (A)
72000	172	210
72500	214	263
73150	263	336
73550	336	382
74000	382	420
500 kW	420	520
630 kW	533	651
710 kW	665	755
800 kW	756	843
1000 kW	1009	1180
1150 kW	1180	1259
1500 kW	1375	1515
1800 kW	1680	1840

9.5.2 DC power supply

AC Input voltage, U_{bc} _____ ADV-72000-6-DC and higher: 600 ... 1120 V_{ac}

ADV200 WA-...-6-DC versions (@ 690 V _{Ac})		
Sizes	DC Input current	
	Heavy duty (A)	Light duty (A)
72000	190	235
72500	235	300
73150	300	370
73550	370	420
74000	420	470
500 kW	514	637
630 kW	653	797
710 kW	814	925
800 kW	926	1032
1000 kW	1236	1445
1150 kW	1445	1542
1500 kW	1684	1855
1800 kW	2058	2254

Nota!

.....
Contact WEG if an AFE200 series regenerative power supply is used.
.....

9.6 Output electrical data

U2 Max output voltage _____ 0,95 x U_{LN} (U_{LN} = AC Input voltage)

f2 Max output frequency _____ 200 Hz (≥ size 72500)

500 Hz (size 72000):

see section 9.3.3 for more details.

Braking IGBT Unit _____ External

Sizes	P _N mot (Recommended Asynchronous motor output)			
	Heavy duty		Light duty	
	@690 V _{AC} (kW)	@575 V _{AC} (Hp)	@690 V _{AC} (kW)	@575 V _{AC} (Hp)
72000	160	150	200	200
72500	200	200	250	250
73150	250	250	315	350
73550	315	350	355	400
74000	355	400	400	450
500 kW	400	450	500	500
630 kW	500	550	630	700
710 kW	630	700	710	800
800 kW	710	800	800	900
1000 kW	900	1000	1000	1100
1150 kW	1000	1100	1150	1300
1500 kW	1350	1500	1500	1600
1800 kW	1650	1800	1800	2000

Sizes	I _N Rated output current (For Asynchronous motors)	
	Heavy duty (A)	Light duty (A)
72000	170	210
72500	210	265
73150	265	330
73550	330	375
74000	375 (1)	415
500 kW	400	500
630 kW	500	630
710 kW	630	710
800 kW	710 (1)	790
1000 kW	900	1000
1150 kW	1000 (1)	1150
1500 kW	1300 (1)	1450
1800 kW	1600	1770

(1) Current values with an ambient temperature of 35°C.

Sizes ADV200 WA-DC	In Rated output current (For Asynchronous motors)			
	@ 930 Vdc Heavy duty (A)	@ 930 Vdc Light duty (A)	@ 1120 Vdc Heavy duty (A) (**)	@ 1120 Vdc Light duty (A) (**)
72000	170	210	148 (*)	183
72500	210	265	210	265
73150	265	330	233	290
73550	330	375	291	330
74000	375 (1)	415	330 (1)	365
500 kW	400	500	400	500
630 kW	500	630	440	554
710 kW	630	710	554	625
800 kW	710 (1)	790 (1)	625 (1)	695
1000 kW	900	1000	792	880
1150 kW	1000 (1)	1150 (1)	880 (1)	1012
1500 kW	1300 (1)	1450	1144 (1)	1276
1800 kW	1600	1770	1408	1558

(*) If F switching = 2KHz, see column @930Vdc.

(**) Current values with an ambient temperature > 30°C.

(1) Current values with an ambient temperature of 35°C.

9.6.1 Derating factors

The derating factors shown below are applied to the rated DC output by the user. They are not automatically implemented by the drive.

Output current derating factors

$$I_{DRIVE} = I_N \times K_{V1} \times K_T \times K_{ALT}$$

$K_{V1}^{(2)}$: Derating factor for DC power supply from AFE200 (1120 Vdc), only applied with ambient temperatures of more than 30°C.

$K_T^{(3)}$: Derating factor with an ambient temperature of 50°C (1% every °C over 40°C with HD and 2% every °C over 40°C with LD), >35°C for sizes 74000, 800 kW and 1150 kW.

$K_{ALT}^{(4)}$: Derating factor for installation at altitudes above 1000 meters a.s.l.. Value to be applied at each 100 m increase above 1000 m (up to a maximum of 4000 m). If the ambient temperature is ≤ 30°C and the application provides for the use of Kv derating, KALT derating can be avoided.
E.g.: Altitude 2000 m, $K_{alt} = 1.2\% \times 10 = 12\%$ derating; I_N derated = $(100 - 12)\% = 88\% I_N$.



If not all of the derating factors are considered, this could result in a drive overtemperature condition.

The specific alarm indicates this condition and normal drive operation is stopped.

Size	Derating factor				
	$K_{V1}^{(2)}$		K_T		K_{ALT}
	$T_{amb} \leq 30^\circ C$	$T_{amb} 31 \dots 40^\circ C$	Heavy duty (3)	Light duty (3)	(4)
72000	1	(5)	0.9	0.8	1.2%
72500	1	1	0.9	0.8	1.2%
73150	1	0.88	0.9	0.8	1.2%
73550	1	0.88	0.9	0.8	1.2%
74000	1	0.88	0.85	0.8	1.2%
500 kW	1	1	0.9	0.8	1.2%
630 kW	1	0.88	0.9	0.8	1.2%
710 kW	1	0.88	0.9	0.8	1.2%
800 kW	1	0.88	0.85	0.8	1.2%
1000 kW	1	0.88	0.9	0.8	1.2%
1150 kW	1	0.88	0.85	0.8	1.2%
1500 kW	1	0.88	0.85	0.8	1.2%
1800 kW	1	0.88	0.85	0.8	1.2%

(5) Fsw = 4 kHz (default); Kv = 1; Fsw = 2 kHz: Kv = 0.87.

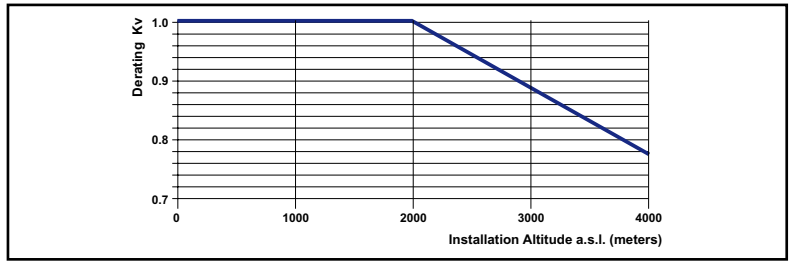
Installation altitude above sea level	K_T Output Current derating factor at Ambient Temperature of:						
	20°C	25°C	30°C	35°C	40°C	45°C	50°C
0 ... 1000 m	1					0.95	0.90

This table does not apply to 73400 size and its parallel units (Working Temperature = -10...+35°C).

Input voltage derating factor

Kv₂⁽⁶⁾ : Derating factor of the input voltage based on altitudes

Figure 9.7.1: Kv₂ derating factor based on altitudes



Installation altitude m (s.l.m.)	Kv ₂ Derating factor (6)		
	Mains voltage [V]		
	500 Vac	575 Vac	690 Vac
≤ 2000	100%	100%	100%
≤ 2250	100%	100%	97%
≤ 2500	100%	100%	94%
≤ 2750	100%	100%	92%
≤ 3000	100%	100%	89%
≤ 3250	100%	100%	86%
≤ 3500	100%	100%	83%
≤ 3750	100%	96%	Not allowed
≤ 4000	100%	93%	Not allowed



=====

If the voltage derating factor is not considered, may occur a drive breakdown.

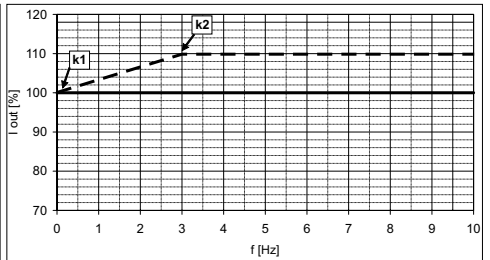
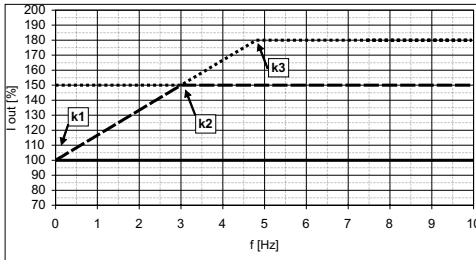
=====

9.6.2 Overload for output frequency

Sizes	For Asynchronous motors				
	Heavy duty			Light duty	
	K1 SP [%]	K2 SP [Hz]	K3 SP [Hz]	K1 SL [%]	K2 SL [Hz]
72000	100	3	4.8	100	3
72500	100	3	4.8	100	3
73150	100	3	4.8	100	3
73550	100	3	4.8	100	3
74000	100	3	4.8	100	3
500 kW	100	3	4.8	100	3
630 kW	100	3	4.8	100	3
710 kW	100	3	4.8	100	3
800 kW	100	3	4.8	100	3
1000 kW	100	3	4.8	100	3
1150 kW	100	3	4.8	100	3
1500 kW	100	3	4.8	100	3
1800 kW	100	3	4.8	100	3

Figure 9.6.2.1: Sizes \geq 72000 - HD Overload (For Asynchronous motors)

Figure 9.6.2.2: Sizes \geq 72000 - LD Overload (For Asynchronous motors)



-- lslow, lfast; __ lN

-- lslow, __ lN

9.6.3 Switching frequency

“Fixed frequency” mode (PAR 568 **Switching freq mode** =0, default)

Sizes	Max (default)	Minimum
	[kHz]	[kHz]
72000	4	2
72500	2	2
73150	2	2
73550	2	2
74000	2	2
500 kW	2	2
630 kW	2	2
710 kW	2	2
800 kW	2	2
1000 kW	2	2
1150 kW	2	2
1500 kW	2	2
1800 kW	2	2

“Variable frequency” mode (PAR 568 **Switching freq mode**=1)

Sizes	Higher switching frequency hswf	Lower switching frequency lswf	Fout	Temperature (HD)	Temperatura (LD)
	[kHz]	[kHz]	[kHz]	[°C]	[°C]
72000	4	2	7	88	93
72500	4	2	7	88	96

Note !

.....
 The switching frequency is controlled by the temperature of the drive heat sink and the output frequency. For further information see the Functions and Parameters manual, menu 4.12

9.7 Voltage level of the inverter for safe operations

The **minimum time** between the moment in which an ADV200 WA drive is disabled from the mains and that in which an operator can operate on internal parts of the drive, without the danger of electric shock, **is 5 minutes**.

.....
 The value consider the time to turn-off for a drive supplied at 690Vac +10%, without any options (time indicated for disabled drive condition).



9.8 Cooling

For all drives fan power supply is external, see paragraph [“5.1.11 Connection of fans”](#), page 40.

Sizes		Dissipated power	Airflow of fan
		W	Heatsink (m ³ /h)
72000		3800	1500
72500		4200	1500
73150		4500	1500
73550		5200	2000
74000		5700	2000
500 kW	ADV200-WA-72500-KXX-6-MS 05	4200	1500
	ADV200-WA-72500-XXX-6-SL	4200	1500
630 kW	ADV200-WA-73150-KXX-6-MS 06	4500	1500
	ADV200-WA-73150-XXX-6-SL	4500	1500
710 kW	ADV200-WA-73550-KXX-6-MS 07	5200	2000
	ADV200-WA-73550-XXX-6-SL	5200	2000
800 kW	ADV200-WA-74000-KXX-6-MS 08	5700	2000
	ADV200-WA-74000-XXX-6-SL	5700	2000
1000 kW	ADV200-WA-73550-KXX-6-MS 10	5700	2000
	ADV200-WA-73550-XXX-6-SL	5700	2000
	ADV200-WA-73550-XXX-6-SL	5700	2000
1150 kW	ADV200-WA-74000-KXX-6-MS 12	5700	2000
	ADV200-WA-74000-XXX-6-SL	5700	2000
	ADV200-WA-74000-XXX-6-SL	5700	2000
1500 kW	ADV200-WA-74000-KXX-6-MS 15	5700	2000
	ADV200-WA-74000-XXX-6-SL	5700	2000
	ADV200-WA-74000-XXX-6-SL	5700	2000
	ADV200-WA-74000-XXX-6-SL2	5700	2000
1800 kW	ADV200-WA-74000-KXX-6-MS 18	5700	2000
	ADV200-WA-74000-XXX-6-SL	5700	2000
	ADV200-WA-74000-XXX-6-SL	5700	2000
	ADV200-WA-74000-XXX-6-SL2	5700	2000
	ADV200-WA-74000-XXX-6-SL2	5700	2000

9.9 Weight and dimensions

Sizes	Weight (kg)	Weight (lbs)
72000 ... 72500	130	286,6
73150	140	308,7
73550 ... 74000	150	330,7
500 kW	260	573,2
630 kW	280	617,4
630 ... 800 kW	300	661,4
1000 ... 1150 kW	450	992,1
1500 kW	600	1323.7
1800 kW	750	1653.5

Note!

Weights referred to standard drive with keypad, without options, packaging not included.

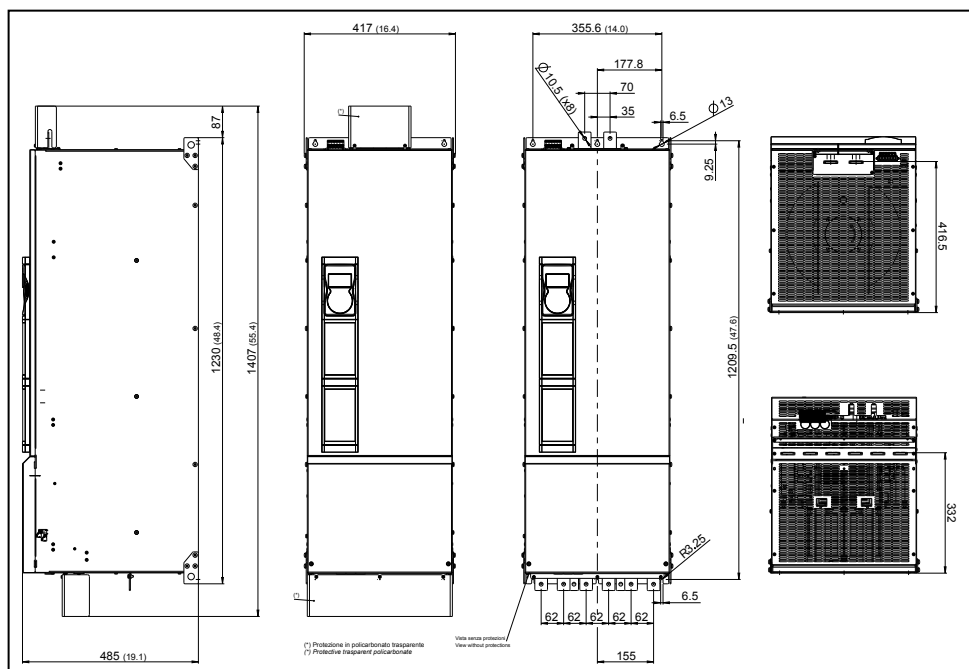


Figure 9.10.1: Size 7 dimensions

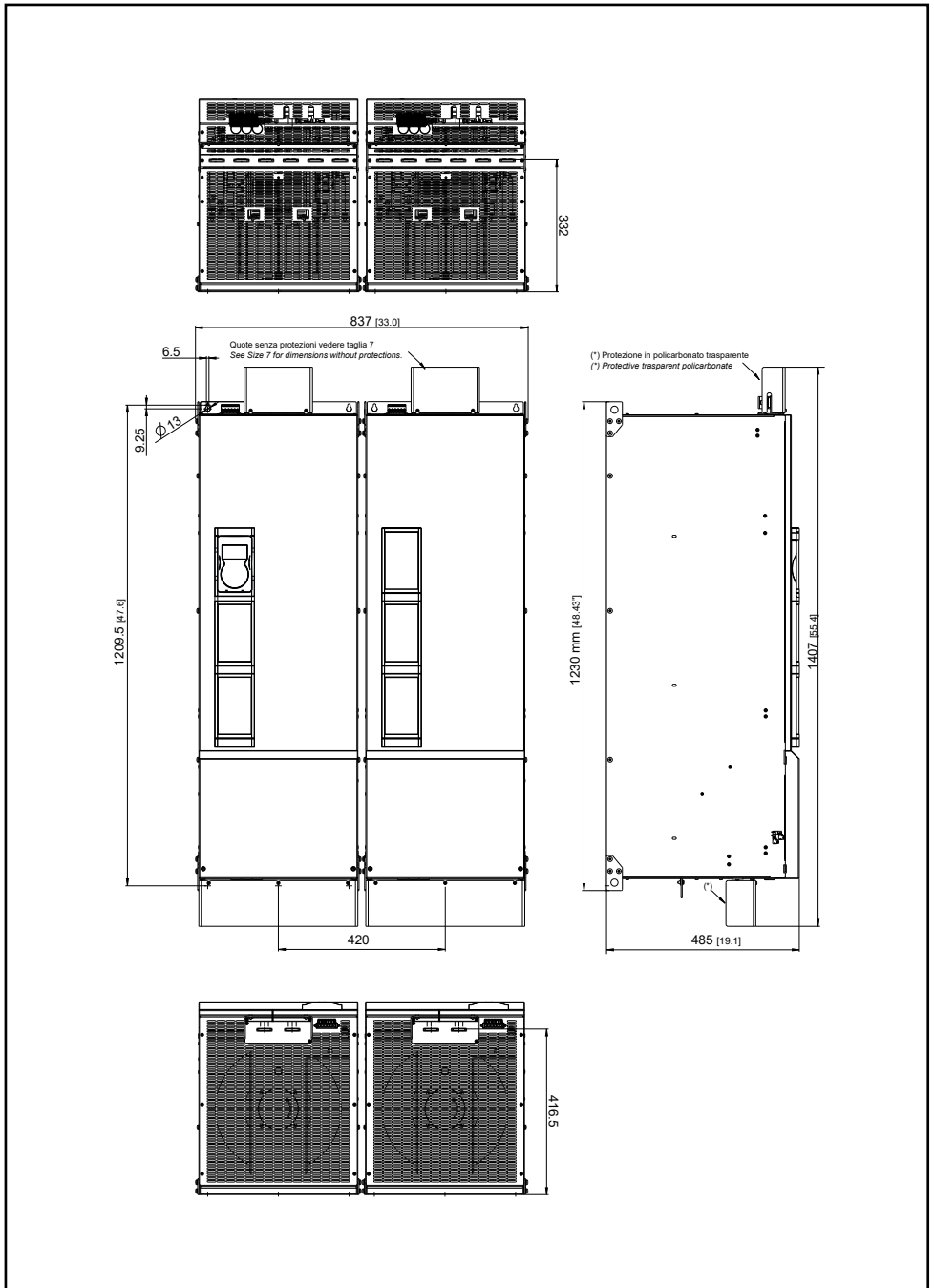


Figura 9.10.2: Sizee 500 ... 800 kW dimensions

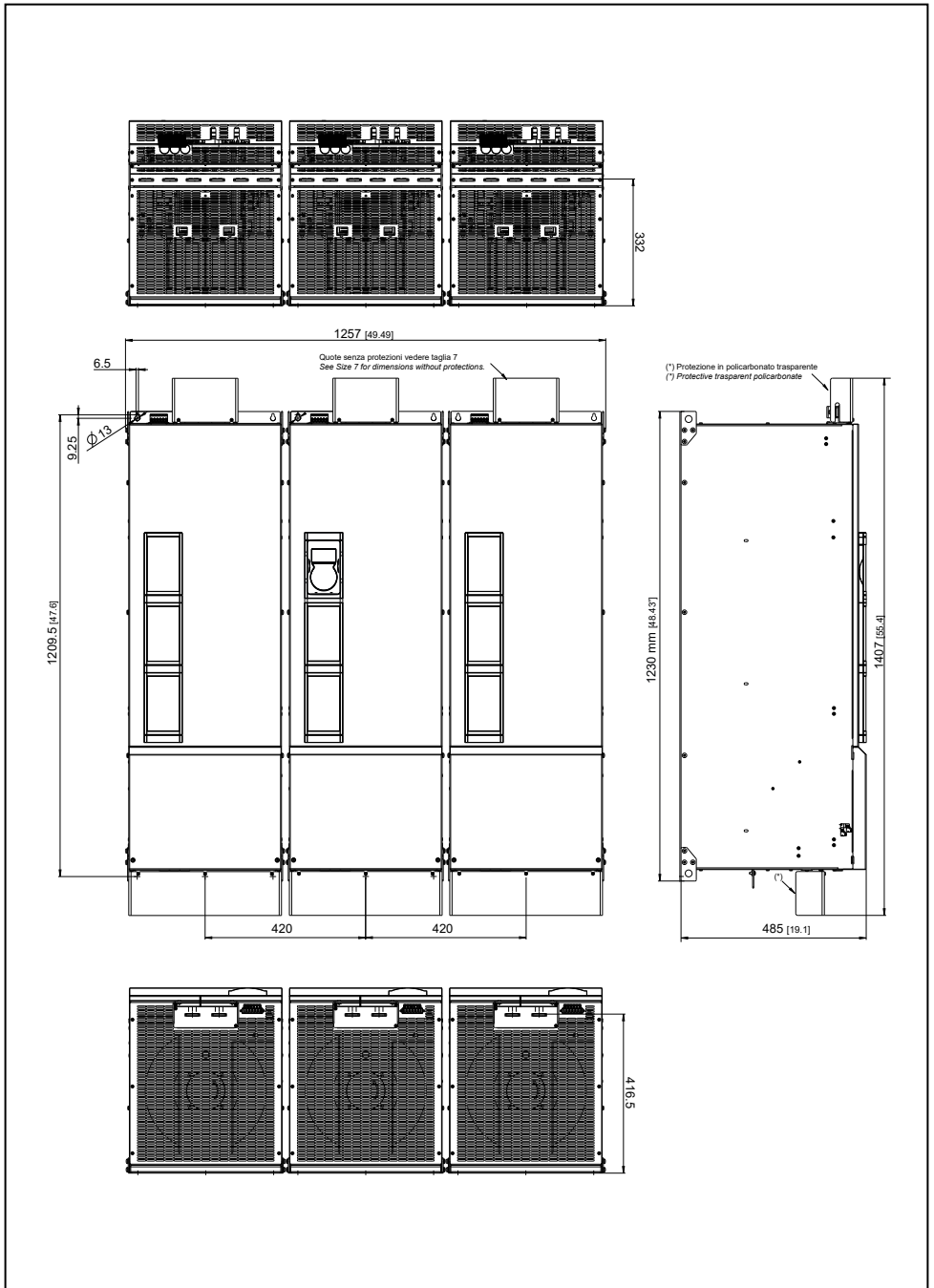


Figura 9.10.3: Sizes 1000 - 1150 kW dimensions

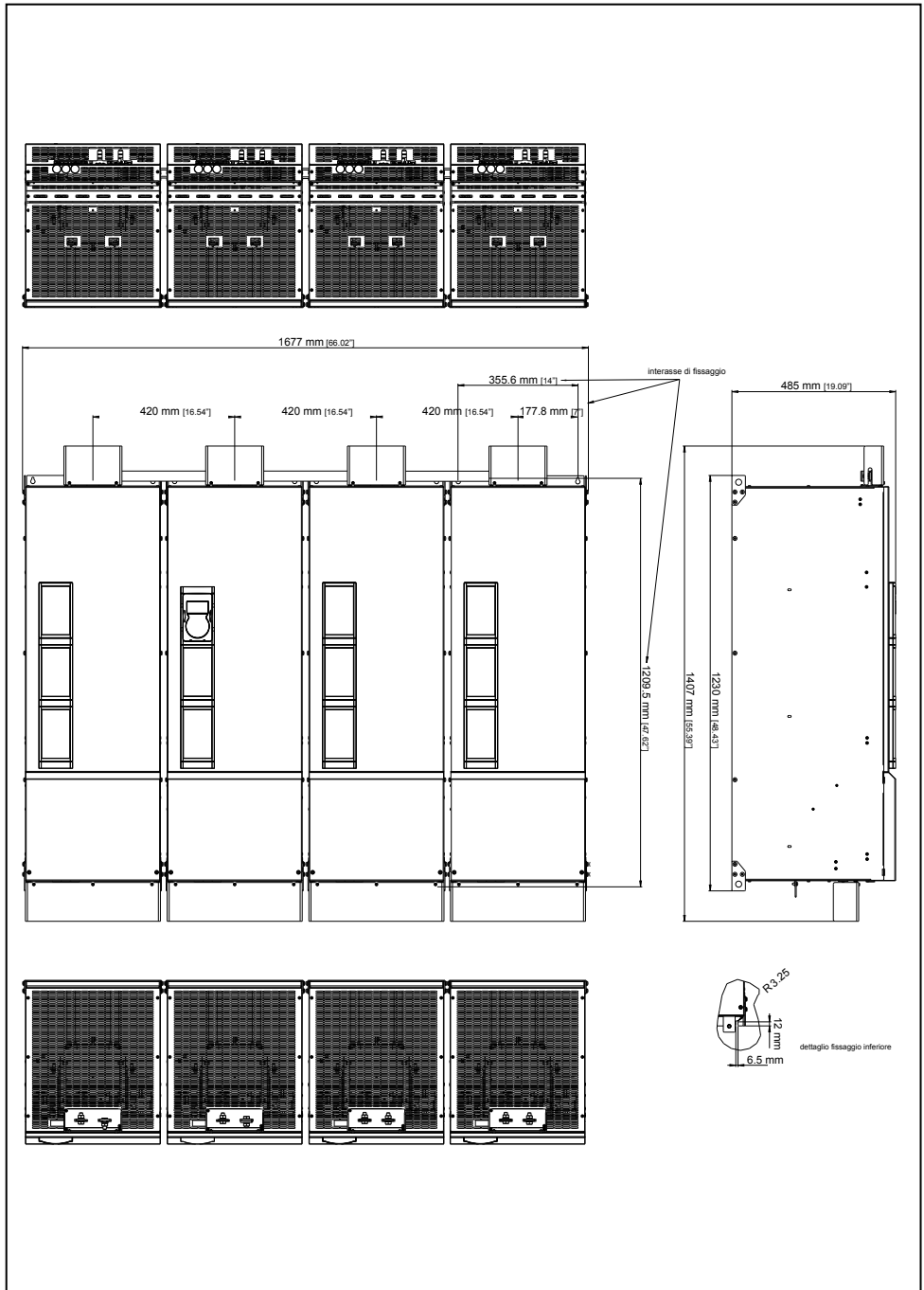


Figure 9.10.4: Size 1.5 MW dimensions

10 - Options

10.1 Optional external fuses

10.1.1 AC input side fuses (F1)

The inverter must be fused on the AC Input side.

Use fast fuses only.

Sizes		F1 - AC input side fuses			
		EUROPE		AMERICA	
		Type	Code	Type	Code
72000		aR 315A/690V IEC/700V UL	S85C20	aR 315A/690V IEC/700V UL	S85C20
72500		aR 400A/690V IEC/700V UL	S85C21	aR 400A/690V IEC/700V UL	S85C21
73150		aR 500A/690V IEC/700V UL	S8B21BF	aR 500A/690V IEC/700V UL	S8B21BF
73550		aR 630A/690V IEC/700V UL	S8B22BF	aR 630A/690V IEC/700V UL	S8B22BF
74000		aR 630A/690V IEC/700V UL	S8B22BF	aR 630A/690V IEC/700V UL	S8B22BF
500 kW	ADV200-WA-72500-KXX-6-MS 05	aR 400A/690V IEC/700V UL	S85C21	aR 400A/690V IEC/700V UL	S85C21
	ADV200-WA-72500-XXX-6-SL	aR 400A/690V IEC/700V UL	S85C21	aR 400A/690V IEC/700V UL	S85C21
630 kW	ADV200-WA-73150-KXX-6-MS 06	aR 500A/690V IEC/700V UL	S8B21BF	aR 500A/690V IEC/700V UL	S8B21BF
	ADV200-WA-73150-XXX-6-SL	aR 500A/690V IEC/700V UL	S8B21BF	aR 500A/690V IEC/700V UL	S8B21BF
710 kW	ADV200-WA-73550-KXX-6-MS 07	aR 630A/690V IEC/700V UL	S8B22BF	aR 630A/690V IEC/700V UL	S8B22BF
	ADV200-WA-73550-XXX-6-SL	aR 630A/690V IEC/700V UL	S8B22BF	aR 630A/690V IEC/700V UL	S8B22BF
800 kW	ADV200-WA-74000-KXX-6-MS 08	aR 630A/690V IEC/700V UL	S8B22BF	aR 630A/690V IEC/700V UL	S8B22BF
	ADV200-WA-74000-XXX-6-SL	aR 630A/690V IEC/700V UL	S8B22BF	aR 630A/690V IEC/700V UL	S8B22BF
1000 kW	ADV200-WA-73550-KXX-6-MS 10	aR 630A/690V IEC/700V UL	S8B22BF	aR 630A/690V IEC/700V UL	S8B22BF
	ADV200-WA-73550-XXX-6-SL	aR 630A/690V IEC/700V UL	S8B22BF	aR 630A/690V IEC/700V UL	S8B22BF
	ADV200-WA-73550-XXX-6-SL	aR 630A/690V IEC/700V UL	S8B22BF	aR 630A/690V IEC/700V UL	S8B22BF
1150 kW	ADV200-WA-74000-KXX-6-MS 12	aR 630A/690V IEC/700V UL	S8B22BF	aR 630A/690V IEC/700V UL	S8B22BF
	ADV200-WA-74000-XXX-6-SL	aR 630A/690V IEC/700V UL	S8B22BF	aR 630A/690V IEC/700V UL	S8B22BF
	ADV200-WA-74000-XXX-6-SL	aR 630A/690V IEC/700V UL	S8B22BF	aR 630A/690V IEC/700V UL	S8B22BF
1500 kW	ADV200-WA-74000-KXX-6-MS 15	aR 630A/690V IEC/700V UL	S8B22BF	aR 630A/690V IEC/700V UL	S8B22BF
	ADV200-WA-74000-XXX-6-SL	aR 630A/690V IEC/700V UL	S8B22BF	aR 630A/690V IEC/700V UL	S8B22BF
	ADV200-WA-74000-XXX-6-SL	aR 630A/690V IEC/700V UL	S8B22BF	aR 630A/690V IEC/700V UL	S8B22BF
	ADV200-WA-74000-XXX-6-SL2	aR 630A/690V IEC/700V UL	S8B22BF	aR 630A/690V IEC/700V UL	S8B22BF
1800 kW	ADV200-WA-74000-KXX-6-MS 18	aR 630A/690V IEC/700V UL	S8B22BF	aR 630A/690V IEC/700V UL	S8B22BF
	ADV200-WA-74000-XXX-6-SL	aR 630A/690V IEC/700V UL	S8B22BF	aR 630A/690V IEC/700V UL	S8B22BF
	ADV200-WA-74000-XXX-6-SL	aR 630A/690V IEC/700V UL	S8B22BF	aR 630A/690V IEC/700V UL	S8B22BF
	ADV200-WA-74000-XXX-6-SL2	aR 630A/690V IEC/700V UL	S8B22BF	aR 630A/690V IEC/700V UL	S8B22BF
	ADV200-WA-74000-XXX-6-SL2	aR 630A/690V IEC/700V UL	S8B22BF	aR 630A/690V IEC/700V UL	S8B22BF

The technical data of the fuses, e.g. dimensions, weights, heat dissipation, auxiliary contactors, are reported in the corresponding manufacturer data sheets.

GRD... (E27), S...

A70...

aR

Jean Müller, Eltville

Ferraz

Square body DIN 43653 110mm stud mount high speed FUSE

10.1.2 External fuses of the power section DC input side (F2)

The following fuses must be used with an external DC power supply or regenerative converter (for further details refer to the converter instruction manual):

Sizes		F2 - External fuses for DC input side			
		EUROPE		AMERICA	
		Type	Code	Type	Code
72000		aR 400A/1250V IEC/1300V UL	S85C13	aR 400A/1250V IEC/1300V UL	S85C13
72500		aR 500A/1250V IEC/1300V UL	S85C14	aR 500A/1250V IEC/1300V UL	S85C14
73150		aR 630A/1250V IEC/1300V UL	S85C15	aR 630A/1250V IEC/1300V UL	S85C15
73550		aR 700A/1250V IEC/1300V UL	S85C16	aR 700A/1250V IEC/1300V UL	S85C16
74000		aR 800A/1250V IEC/1300V UL	S85C17	aR 800A/1250V IEC/1300V UL	S85C17
500 kW	ADV200-WA-72500-KXX-6-MS 05	aR 500A/1250V IEC/1300V UL	S85C14	aR 500A/1250V IEC/1300V UL	S85C14
	ADV200-WA-72500-XXX-6-SL	aR 500A/1250V IEC/1300V UL	S85C14	aR 500A/1250V IEC/1300V UL	S85C14
630 kW	ADV200-WA-73150-KXX-6-MS 06	aR 630A/1250V IEC/1300V UL	S85C15	aR 630A/1250V IEC/1300V UL	S85C15
	ADV200-WA-73150-XXX-6-SL	aR 630A/1250V IEC/1300V UL	S85C15	aR 630A/1250V IEC/1300V UL	S85C15
710 kW	ADV200-WA-73550-KXX-6-MS 07	aR 700A/1250V IEC/1300V UL	S85C16	aR 700A/1250V IEC/1300V UL	S85C16
	ADV200-WA-73550-XXX-6-SL	aR 700A/1250V IEC/1300V UL	S85C16	aR 700A/1250V IEC/1300V UL	S85C16
800 kW	ADV200-WA-74000-KXX-6-MS 08	aR 800A/1250V IEC/1300V UL	S85C17	aR 800A/1250V IEC/1300V UL	S85C17
	ADV200-WA-74000-XXX-6-SL	aR 800A/1250V IEC/1300V UL	S85C17	aR 800A/1250V IEC/1300V UL	S85C17
1000 kW	ADV200-WA-73550-KXX-6-MS 10	aR 700A/1250V IEC/1300V UL	S85C16	aR 700A/1250V IEC/1300V UL	S85C16
	ADV200-WA-73550-XXX-6-SL	aR 700A/1250V IEC/1300V UL	S85C16	aR 700A/1250V IEC/1300V UL	S85C16
	ADV200-WA-73550-XXX-6-SL	aR 700A/1250V IEC/1300V UL	S85C16	aR 700A/1250V IEC/1300V UL	S85C16
1150 kW	ADV200-WA-74000-KXX-6-MS 12	aR 800A/1250V IEC/1300V UL	S85C17	aR 800A/1250V IEC/1300V UL	S85C17
	ADV200-WA-74000-XXX-6-SL	aR 800A/1250V IEC/1300V UL	S85C17	aR 800A/1250V IEC/1300V UL	S85C17
	ADV200-WA-74000-XXX-6-SL	aR 800A/1250V IEC/1300V UL	S85C17	aR 800A/1250V IEC/1300V UL	S85C17
1500 kW	ADV200-WA-74000-KXX-6-MS 15	aR 800A/1250V IEC/1300V UL	S85C17	aR 800A/1250V IEC/1300V UL	S85C17
	ADV200-WA-74000-XXX-6-SL	aR 800A/1250V IEC/1300V UL	S85C17	aR 800A/1250V IEC/1300V UL	S85C17
	ADV200-WA-74000-XXX-6-SL	aR 800A/1250V IEC/1300V UL	S85C17	aR 800A/1250V IEC/1300V UL	S85C17
	ADV200-WA-74000-XXX-6-SL2	aR 800A/1250V IEC/1300V UL	S85C17	aR 800A/1250V IEC/1300V UL	S85C17
1800 kW	ADV200-WA-74000-KXX-6-MS 18	aR 800A/1250V IEC/1300V UL	S85C17	aR 800A/1250V IEC/1300V UL	S85C17
	ADV200-WA-74000-XXX-6-SL	aR 800A/1250V IEC/1300V UL	S85C17	aR 800A/1250V IEC/1300V UL	S85C17
	ADV200-WA-74000-XXX-6-SL	aR 800A/1250V IEC/1300V UL	S85C17	aR 800A/1250V IEC/1300V UL	S85C17
	ADV200-WA-74000-XXX-6-SL2	aR 800A/1250V IEC/1300V UL	S85C17	aR 800A/1250V IEC/1300V UL	S85C17
	ADV200-WA-74000-XXX-6-SL2	aR 800A/1250V IEC/1300V UL	S85C17	aR 800A/1250V IEC/1300V UL	S85C17

Note!

For size 7 only, adaptation for internal mounting of fuses (DC side) on request.

The technical data of the fuses, e.g. dimensions, weights, heat dissipation, auxiliary contactors, are reported in the corresponding manufacturer data sheets.

GRD... (E27), S...

Jean Müller, Eltville

A70...

Ferraz

aR

Square body DIN 43653 110mm stud mount high speed FUSE.

10.1.3 Optional internal fuses for the DC connection (F2)


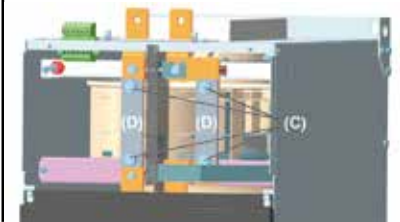

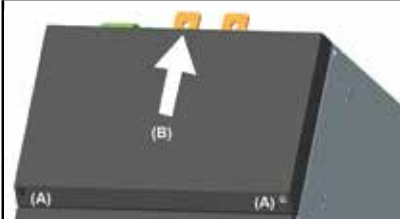
Sizes	F2 - Internal fuses for DC input side	
	EUROPE, AMERICA	
	Type	Code
72000	20 733 32.400 / 170M6140	S85C13
72500	20 733 32.500 / 170M6142	S85C14
73150	20 733 32.630 / 170M6144	S85C15
73550	20 733 32.700 / 170M6145	S85C16
74000	20 733 32.800 / 170M6146	S85C17

The technical data of the fuses, e.g. dimensions, weights, heat dissipation, auxiliary contactors, are reported in the corresponding manufacturer data sheets.

170.. Bussmann (Square body)

20 ... Siba (SQB 3 DIN 110)

Installation of optional internal fuse (sizes ADV200-WA-7...-6-DC)

	<p>(1) Remove the upper cover:</p> <ul style="list-style-type: none"> > loosen the two Phillips-head screws (A), type PH2, with a Phillips-head screwdriver. > push in the direction indicated and remove the cover (B)
	<p>(2) Remove the two connection bars:</p> <ul style="list-style-type: none"> > unscrew the 4 M10 hex head screws (C) > remove the two bars (D)
	<p>(3) Secure the two fuses:</p> <ul style="list-style-type: none"> > position the two fuses (E) suitable for the inverter dimensions, see table "Internal fuses for DC input side" > tighten the 4 M10 hex head screws (C) applying a torque of 24 N
	<p>(4) Replace the upper cover:</p> <ul style="list-style-type: none"> > position the cover (B) > tighten the two Phillips-head screws (A), type PH2, applying a torque of 3 Nm

10.2 Choke

10.2.1 Optional input chokes (L1)



Caution

.....
A three-phase mains choke is mandatory for sizes of ≥ 200 kW.

Use of mains chokes with an impedance of at least 3% is recommended.

The table below shows the minimum inductance values and current ratings with the codes proposed by WEG.

.....
 In case of a Master and Slave connection (500 to 1800 kW devices) the use of identical chokes (same inductance value and same current rating) for Master drive and for each Slave drive is mandatory to ensure the correct distribution of current over the drive input rectifier bridges.



Attention

Sizes		Inverter Output	Mains inductance (μ H)	Rated current (A)	Saturation current (A)	Type	Code
72000		HD / LD	200	206	398	LR3-6-ADV-160	S7AL07
72500		HD / LD	160	260	493	LR3-6-ADV-200	S7AL08
73150		HD / LD	135	335	600	LR3y-6-250	S7AD6
73550		HD / LD	110	405	852	LR3-6-ADV-315-355	S7AL09
74000		HD / LD	110	405	852	LR3-6-ADV-315-355	S7AL09
500 kW	ADV200-WA-72500-KXX-6-MS 05	HD / LD	160	260	493	LR3-6-ADV-200	S7AL08
	ADV200-WA-72500-XXX-6-SL		160	260	493	LR3-6-ADV-200	S7AL08
630 kW	ADV200-WA-73150-KXX-6-MS 06	HD / LD	135	335	600	LR3y-6-250	S7AD6
	ADV200-WA-73150-XXX-6-SL		135	335	600	LR3y-6-250	S7AD6
710 kW	ADV200-WA-73550-KXX-6-MS 07	HD / LD	110	405	852	LR3-6-ADV-315-355	S7AL09
	ADV200-WA-73550-XXX-6-SL		110	405	852	LR3-6-ADV-315-355	S7AL09
800 kW	ADV200-WA-74000-KXX-6-MS 08	HD / LD	110	405	852	LR3-6-ADV-315-355	S7AL09
	ADV200-WA-74000-XXX-6-SL		110	405	852	LR3-6-ADV-315-355	S7AL09
1000 kW	ADV200-WA-73550-KXX-6-MS 10	HD / LD	110	405	852	LR3-6-ADV-315-355	S7AL09
	ADV200-WA-73550-XXX-6-SL		110	405	852	LR3-6-ADV-315-355	S7AL09
	ADV200-WA-73550-XXX-6-SL		110	405	852	LR3-6-ADV-315-355	S7AL09
1150 kW	ADV200-WA-74000-KXX-6-MS 12	HD / LD	110	405	852	LR3-6-ADV-315-355	S7AL09
	ADV200-WA-74000-XXX-6-SL		110	405	852	LR3-6-ADV-315-355	S7AL09
	ADV200-WA-74000-XXX-6-SL		110	405	852	LR3-6-ADV-315-355	S7AL09
1500 kW	ADV200-WA-74000-KXX-6-MS 15	HD / LD	110	405	852	LR3-6-ADV-315-355	S7AL09
	ADV200-WA-74000-XXX-6-SL		110	405	852	LR3-6-ADV-315-355	S7AL09
	ADV200-WA-74000-XXX-6-SL		110	405	852	LR3-6-ADV-315-355	S7AL09
	ADV200-WA-74000-XXX-6-SL2		110	405	852	LR3-6-ADV-315-355	S7AL09
1800 kW	ADV200-WA-74000-KXX-6-MS 18	HD / LD	110	405	852	LR3-6-ADV-315-355	S7AL09
	ADV200-WA-74000-XXX-6-SL		110	405	852	LR3-6-ADV-315-355	S7AL09
	ADV200-WA-74000-XXX-6-SL		110	405	852	LR3-6-ADV-315-355	S7AL09
	ADV200-WA-74000-XXX-6-SL2		110	405	852	LR3-6-ADV-315-355	S7AL09
	ADV200-WA-74000-XXX-6-SL2		110	405	852	LR3-6-ADV-315-355	S7AL09

10.2.2 Optional external choke (L2)



On 500 kW to 1.8 MW devices, output chokes must be used: value and their technical characteristics MUST be the same for all the drive power modules (same inductance value and same current rating) to guarantee correct current sharing.

Cable length must be the same between the drive power modules.

The ADV200 WA drive can be used with general purpose standard motors or with motors specially designed for drive use. The latter usually have a higher isolation rating to better withstand PWM voltage.

Examples of reference regulations are provided below:

Motors designed for use with Adjustable Frequency Drives do not require any specific filtering of the voltage waveform from the drive. For general purpose motors, especially with long cable runs (typically over 100 m [328 feet]) an output choke is recommended to maintain the voltage waveform within the specified limits.

The rated current of the chokes should be approx. 20% above the rated current of the frequency drive in order to take into account additional losses due to PWM waveform.

Sizes 72000 ... 74000

Sizes	Inverter output	Mains inductance (μH)	Rated current (A)	Saturation current (A)	Type	Code	Dimensions (W x H x d, mm) and Weights
72000	HD	85	210	445	LU3-6-ADV-200	S7F017	300 x 360 x 210, 50kg
	LD	85	210	445	LU3-6-ADV-200	S7F017	
72500	HD	85	210	445	LU3-6-ADV-200	S7F017	300 x 350 x 210, 44kg
	LD	65	265	562	LU3-6-ADV-250	S7F018	
73150	HD	65	265	562	LU3-6-ADV-250	S7F018	360 x 350 x 250, 65kg
	LD	45	400	849	LU3-6-ADV-400	S7F019	
73550	HD	45	400	849	LU3-6-ADV-400	S7F019	360 x 350 x 250, 65kg
	LD	45	400	849	LU3-6-ADV-400	S7F019	
74000	HD	45	400	849	LU3-6-ADV-400	S7F019	360 x 350 x 250, 65kg
	LD	45	400	849	LU3-6-ADV-400	S7F019	

Note !

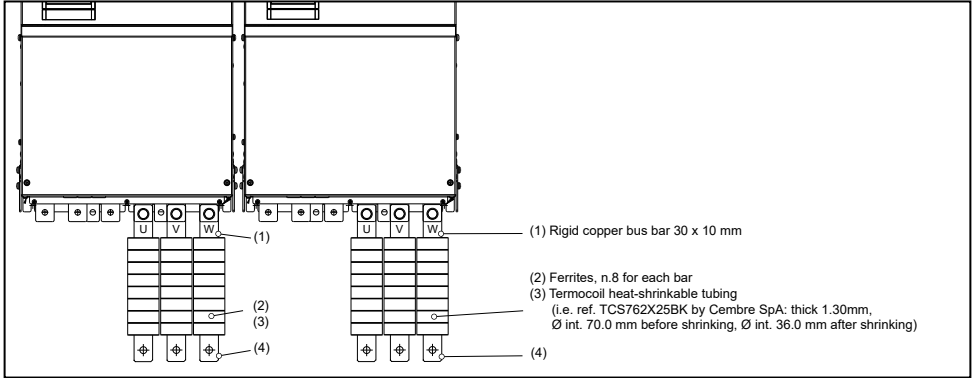
When the drive is operated at the rated current and at 50 Hz, the output chokes cause a voltage drop of approx. 2% of the output voltage.

Sizes 500 ... 1800 kW

The use of output chokes is **mandatory** for parallel units; as a function of the application/connection, according to the following criteria:

- for applications with short motor cables (≤ 100 m long) bus bars with an integrated ferrites (see Figure 2.1 and Table 1) or single distributor chokes may be used (see Table 2);
- for applications with long motor cables (> 100 m long) output choke may be used (see Table 3);

Figure 2.1: Busbars with integrated ferrites



Caution

At the output of each drive it is recommended to fix vertical straight bus bars for each phase (1), on which to mount the ferrites (2), it is also recommended to use heat-shrink tubing for insulate the ferrites (3).

One or more cables must start from each phase (4) depending on the currents and cable sections and the parallel of the cables is done directly on the motor (see "5.1.7 Motor connection", page 36)

To avoid unbalancing the cables must be the same (material, section and length).

Bars or cables can be used for the connection between C and D.

Table 1: Ferrites

Sizes	Inverter output	Motor cable length distance ≤ 100 m @690Vac							Weights kg			
		Q.ty (1)	Type	Code	Dimensions (mm)							
					A	B	D	E		F	G	R
500 kW	SP / SL	48		6S7060	33.5	57.2	22	10	11.5 min	35 min	1.5 max	0.2
630 kW	SP / SL	48										
710 kW	SP / SL	48										
800 kW	SP / SL	48										
1000 kW	SP / SL	72										
1.15 MW	SP / SL	72										
≥ 1.5 kW	SP / SL	(2)										

(1) A total of 8pcs of ferrites has to be mounted on each drive module output phase.

(2) Solution not recommended: use output inductances.

Table 2: Current distributor output choke

Sizes ADV200 WA	Inverter output	Motor cable length distance ≤ 100 m @690Vac						Dimensions and Weights
		Mains inductance (μH)	Rated current (A)	Saturation current (A)	Q.ty	Type	Code	
500 kW	HD	25	265	562	2	LU3-6-ADV-250P	S7F023	W = 240 mm H = 215 mm d = 200 mm 20 kg
500 kW	LD				2			
630 kW	HD				2			
630 kW	LD	15	415	796	2	LU3-6-ADV-355P	S7F022	W = 270 mm H = 290 mm d = 185 mm 24 kg
710 kW	HD/LD				2			
800 kW	HD/LD				2			
1 MW	HD/LD				3			
1.15 MW	HD/LD				3			
1.5 MW	HD/LD				4			
1.8 MW	HD/LD				5			

Table 3: output choke

Sizes	Inverter output	Motor cable length distance > 100 m @690Vac				Dimensions and Weights
		Q.ty	Type	Code		
500 kW	HD	2	LU3-6-200	S7F017	W = 300 mm H = 360 mm d = 210 mm 46 kg	
500 kW	LD	2	LU3-6-250	S7F018	W = 300 mm H = 360 mm d = 210 mm 46 kg	
630 kW	HD/LD	2	LU3-6-ADV-400	S7F019	W = 360 mm H = 350 mm d = 250 mm 65 kg	
710 kW	HD/LD	2				
800 kW	HD/LD	2				
1 MW	HD/LD	3				
1.15 MW	HD/LD	3				
1.5 MW	HD/LD	4				
1.8 MW	HD/LD	5				



Attention

Using specific criteria regarding the choice of cables, their minimum length and laying in the ducts, is it possible to avoid the use of the output chokes.

Ask to the WEG Technical Assistance for more details.

10.3 External EMC filter (optional)

ADV200 WA series inverters are equipped with an internal EMI (except ADV200 WA-...-DC models) filter able to guarantee the performance levels required by EN 61800-3 standard (according to 2nd environment, category C3) with a maximum of 50 meters of shielded motor cable.

Optional external filters for different installations are listed in the table below.

In the case of supply of the inverter through IT networks, a series of special EMI filters are available.

Note !

The filters indicates are for connection to networks "TT" and "TN".

In the case of supply of the inverter through IT networks, a series of special EMI filters are available.

Sizes	Heavy duty		Light duty		EN 61800-3 : Category / Environment / Motor cable length
	Type	Code	Type	Code	
72000	EMI-690-180	S7DGP	EMI-690-250	S7DQG	C3 / 2nd / 100 m
72500	EMI-690-250	S7DQG	EMI-690-320	S7DGR	C3 / 2nd / 100 m
73150	EMI-690-320	S7DGR	EMI-690-320	S7DGR	C3 / 2nd / 100 m
73550	EMI-690-320	S7DGR	EMI-690-400	S7EMI12	C3 / 2nd / 100 m
74000	EMI-690-400	S7EMI12	EMI-690-400	S7EMI12	C3 / 2nd / 100 m

500 kW	ADV200-WA-72500-KXX-6-MS 05	EMI-690-250	S7DQG	EMI-690-320	S7DGR	C3 / 2nd / 100 m
	ADV200-WA-72500-XXX-6-SL	EMI-690-250	S7DQG	EMI-690-320	S7DGR	C3 / 2nd / 100 m
630 kW	ADV200-WA-73150-KXX-6-MS 06	EMI-690-320	S7DGR	EMI-690-320	S7DGR	C3 / 2nd / 100 m
	ADV200-WA-73150-XXX-6-SL	EMI-690-320	S7DGR	EMI-690-320	S7DGR	C3 / 2nd / 100 m
710 kW	ADV200-WA-73550-KXX-6-MS 07	EMI-690-320	S7DGR	EMI-690-400	S7EMI12	C3 / 2nd / 100 m
	ADV200-WA-73550-XXX-6-SL	EMI-690-320	S7DGR	EMI-690-400	S7EMI12	C3 / 2nd / 100 m
800 kW	ADV200-WA-74000-KXX-6-MS 08	EMI-690-400	S7EMI12	EMI-690-400	S7EMI12	C3 / 2nd / 100 m
	ADV200-WA-74000-XXX-6-SL	EMI-690-400	S7EMI12	EMI-690-400	S7EMI12	C3 / 2nd / 100 m
1000 kW	ADV200-WA-73550-KXX-6-MS 10	EMI-690-320	S7DGR	EMI-690-400	S7EMI12	C3 / 2nd / 100 m
	ADV200-WA-73550-XXX-6-SL	EMI-690-320	S7DGR	EMI-690-400	S7EMI12	C3 / 2nd / 100 m
	ADV200-WA-73550-XXX-6-SL	EMI-690-320	S7DGR	EMI-690-400	S7EMI12	C3 / 2nd / 100 m
1150 kW	ADV200-WA-74000-KXX-6-MS 12	EMI-690-400	S7EMI12	EMI-690-400	S7EMI12	C3 / 2nd / 100 m
	ADV200-WA-74000-XXX-6-SL	EMI-690-400	S7EMI12	EMI-690-400	S7EMI12	C3 / 2nd / 100 m
	ADV200-WA-74000-XXX-6-SL	EMI-690-400	S7EMI12	EMI-690-400	S7EMI12	C3 / 2nd / 100 m
1500 kW	ADV200-WA-74000-KXX-6-MS 15	EMI-690-400	S7EMI12	EMI-690-400	S7EMI12	C3 / 2nd / 100 m
	ADV200-WA-74000-XXX-6-SL	EMI-690-400	S7EMI12	EMI-690-400	S7EMI12	C3 / 2nd / 100 m
	ADV200-WA-74000-XXX-6-SL	EMI-690-400	S7EMI12	EMI-690-400	S7EMI12	C3 / 2nd / 100 m
	ADV200-WA-74000-XXX-6-SL2	EMI-690-400	S7EMI12	EMI-690-400	S7EMI12	C3 / 2nd / 100 m
1800 kW	ADV200-WA-74000-KXX-6-MS 18	EMI-690-400	S7EMI12	EMI-690-400	S7EMI12	C3 / 2nd / 100 m
	ADV200-WA-74000-XXX-6-SL	EMI-690-400	S7EMI12	EMI-690-400	S7EMI12	C3 / 2nd / 100 m
	ADV200-WA-74000-XXX-6-SL	EMI-690-400	S7EMI12	EMI-690-400	S7EMI12	C3 / 2nd / 100 m
	ADV200-WA-74000-XXX-6-SL2	EMI-690-400	S7EMI12	EMI-690-400	S7EMI12	C3 / 2nd / 100 m

Filters		Dimensions		Weights	
Type	Code	(Wx H x d) - mm		kg	
EMI-690-250	S7DQG	200 x 110 x 170		5	

Filters		Dimensions	Weights
Type	Code	(W x H x d) - mm	kg
EMI-690-320	S7DGR	230 x 116 x 190	7.2
EMI-690-400	S7EMI12	230 x 116 x 190	7.5

Note 1

.....
 For internal filter specification see chapter "5.1.4 Internal EMC filter", page 32.

10.4 External filters to reduce grid harmonics (optional)

ADV200-RHF filters are used to reduce total harmonic distortion (current) on the power supply line.

The choice of filter depends on the rated characteristics of the motor, on its service conditions (LD or HD), and on the performance levels you want to achieve in terms of line THDi.

The tables in section 10.4.3 show the standard performance for each motor size as defined by motor tables in efficiency class IE2 – High Efficiency (according to standard).

Considering that filters are normally required in HVAC applications, the service use of the motor (and therefore of the inverter) is always Light Duty.

The following section shows the formula and an example of calculation of line current starting from motor data. Therefore, you can always select an appropriate filter for HD service as well.

On RHF-A and RHF-B series filters, input choke inductance is integrated in the filters. On RHF-AS and RHF-BS series filters, inductance is external and is supplied with these filters

Drive efficiency = 0.975

RHF efficiency = 0.99.

10.4.1 Choice of performance and calculation of current in RHF filters

Models

RHF -X XX-XXX-XX-XX -X

Version
Protection degree (IP)
Mains frequency
Grid
Filter rated current
A: THDi ≤ 10% with mains or DC choke (THDu ≤ 2%) B: THDi ≤ 5% with mains or DC choke (THDu ≤ 2%)
Passive filter to reduce harmonics

RHF -XS XX-XXX-XX-XXX -X

Version
Fan voltage supply
Mains frequency
Grid
Filter rated current
AS: THDi ≤ 10% (THDu ≤ 2%) and supply of external input choke inductance L0 BS: THDi ≤ 5% (THDu ≤ 2%) and supply of external input choke inductance L0
Passive filter to reduce harmonics

Choice of performance

RHF-A		RHF-B	
Inverter without input choke inductance or DC	Inverter with input choke inductance or DC	Inverter without input choke inductance or DC	Inverter with input choke inductance or DC
< 16%	< 10%	< 10%	< 5%

Calculation of filter current

$$I_{\text{filter}} [\text{A}] = \frac{P_m}{U_{ln} * \sqrt{3} * \eta_f * \eta_l * \eta_m}$$

Example:

Rated motor power P_m	18.5 [kW]
Motor efficiency η_m	95%
Mains voltage U_{ln}	400 [V]
Mains frequency	50 [Hz]
Inverter efficiency η_l	98%
Passive filter efficiency η_f	99.0%
Filter current	29.0 [A]

The rated current of the chosen filter must be \geq the filter current calculated above:
RHF-A/B 29-400-50-20-A

10.4.2 Connection diagrams

Figure 10.4.1: RHF-A-... and RHF-B-... models

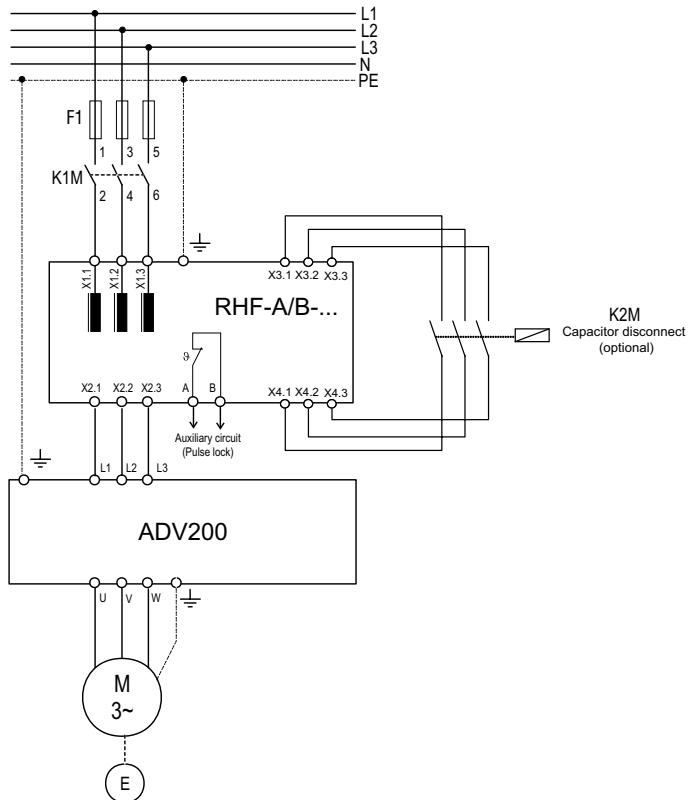


Figura 10.4.2: Parallel connection of RHF-A-... and RHF-B-... models

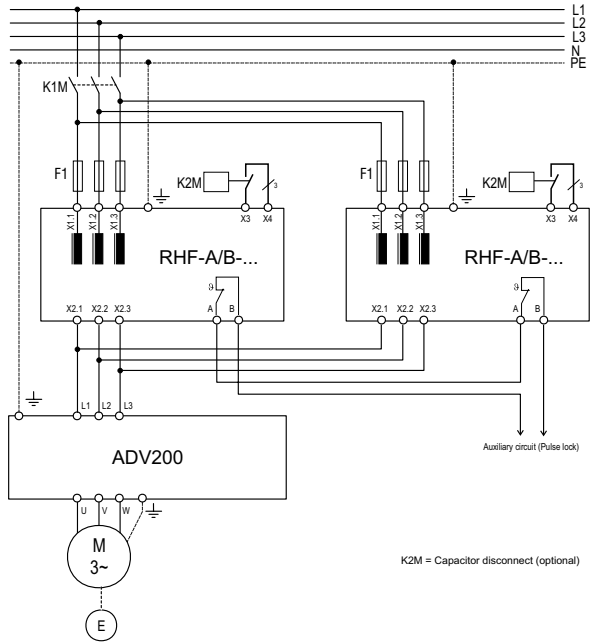
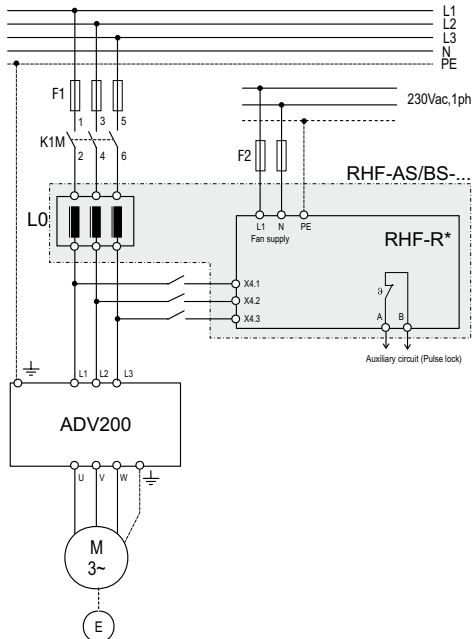


Figura 10.4.2: RHF-AS-... and RHF-BS-... models



10.4.3 Matching motors, RHF filters and ADV200-WA drives

Grid: 690V / 50Hz								
Motor Power 4 poles IE2	Motor Efficiency [%]	Drive Size	Drive Output: <u>Light Duty</u>			RHF Passive Filter		Line Input Current @ 380V [A]
			Rated Power [kW]	Rated Current [A]	Overload	Type (1)	Current [A]	
200	95.1	71600	200	210	(2)	RHF-A/B 197-690-50-20-A	197	182.3
250	95.1	72000	250	265		RHF-A/B 240-690-50-20-A	240	227.9
315	95.1	72500	315	330		RHF-A/B 296-690-50-20-A	296	287.1
355	95.1	73150	355	375		RHF-AS/BS 366-690-50-230-A	366	323.6
400	95.1	73550	400	415		RHF-AS/BS 366-690-50-230-A	366	364.6
500	95.1	400 kW	500	500		RHF-AS/BS 480-690-50-230-A	480	455.8
630	95.1	500 kW	630	630		RHF-AS/BS 550-690-50-230-A	550	574.3
710	95.1	630 kW	710	710		RHF-AS/BS 680-690-50-230-A	680	647.2
800	95.1	710 kW	800	790		RHF-AS/BS 760-690-50-230-A	760	729.2
1000	95.1	900 kW	1000	1000		2 x RHF-AS/BS 480-690-50-230-A	960	911.5
1150	95.1	1 MW	1150	1150		2 x RHF-AS/BS 550-690-50-230-A	1100	1048.3
1500	95.1	1.35 MW	1500	1450		2 x RHF-AS/BS 680-690-50-230-A	1360	1367.3
1800	95.1	1.65 MW	1800	1770		2 x RHF-AS/BS 760-690-50-230-A	1520	1640.8

(1) RHF-A/B: RHF-A Models ... or RHF-B-..., RHF-AS/BS: RHF-AS Models ... or RHF-BS-..., see section 10.4.1.

(2) Overload 110% the Rated Current for 60s every 300s

(3) Reduced THDi performance due to part load

10.4.4 Dimensions and weights of RHF filters

RHF Passive Filte	Q.ty * Frame	Dimensions: H * W *d (mm)	Weight (kg)
RHF-A 197-690-50-20-A	X7	911 * 468 * 449	123
RHF-A 240-690-50-20-A	X8	911 * 468 * 540	136
RHF-A 296-690-50-20-A	X8	911 * 468 * 540	142
RHF-B 197-690-50-20-A	X7	911 * 468 * 449	197
RHF-B 240-690-50-20-A	X8	911 * 468 * 540	220
RHF-B 296-690-50-20-A	X8	911 * 468 * 540	228
RHF-AS 366-690-50-230-A	X38B	951 * 307 * 444,5	tbd
RHF-AS 480-690-50-230-A	2 x X38B	951 * 307 * 444,5	tbd
RHF-AS 550-690-50-230-A	2 x X38B	951 * 307 * 444,5	tbd
RHF-AS 680-690-50-230-A	3 x X38B	951 * 307 * 444,5	tbd
RHF-AS 760-690-50-230-A	3 x X38B	951 * 307 * 444,5	tbd
RHF-BS 366-690-50-230-A	X38B	951 * 307 * 444,5	tbd
RHF-BS 480-690-50-230-A	2 x X38B	951 * 307 * 444,5	tbd
RHF-BS 550-690-50-230-A	2 x X38B	951 * 307 * 444,5	tbd
RHF-BS 680-690-50-230-A	3 x X38B	951 * 307 * 444,5	tbd
RHF-BS 760-690-50-230-A	3 x X38B	951 * 307 * 444,5	tbd

10.4.5 Dimensions and weights of L0-RHF chokes

L0-RHF-AS/BS mais chokes are included in delivery of the RHF-AS/BS module filters series (RHF-AS/BS = L0 RHF-AS/BS choke + n filters RHF-R).

L0 RHF-AS/BS External choke	Dimensions: W * H * d (mm)	Weight (kg)
L0 RHF-AS 366-690-50-230-A	420 * 370 * 370	
L0 RHF-AS 480-690-50-230-A	480 * 440 * 440	
L0 RHF-AS 550-690-50-230-A	480 * 520 * 440	
L0 RHF-AS 680-690-50-230-A	480 * 520 * 440	
L0 RHF-AS 760-690-50-230-A	480 * 520 * 440	
L0 RHF-BS 366-690-50-230-A	480 * 520 * 440	
L0 RHF-BS 480-690-50-230-A	600 * 640 * 400	
L0 RHF-BS 550-690-50-230-A	600 * 640 * 420	
L0 RHF-BS 680-690-50-230-A	600 * 640 * 450	
L0 RHF-BS 760-690-50-230-A	600 * 640 * 460	

10.5 Braking resistor (optional)

Note !

.....
An optional BUy/BU200 braking unit connected to terminals C and D can be used. For further details reference should be made to the BUy/BU200 manual.
.....

10.6 Insulation monitor

Since the ADV200 WA drive is normally used in a ground-insulated system (IT), in accordance with IEC 61557-8, use of insulation resistance monitoring is required.

The monitoring system must be able to detect insulation loss, both on the AC and DC power supply sides and on the motor side.

A ground fault must be promptly detected and removed as quickly as possible to avoid damage to either the inverter or the entire system as a unit (in the event of insulation loss, the drive must be immediately disabled and disconnected from power sources).

The insulation monitor must be selected on a case-by-case basis according to the power supply, connection system and type of drive.

Recommended insulation monitors e.g.: see the BENDER © ISOMETER® line.



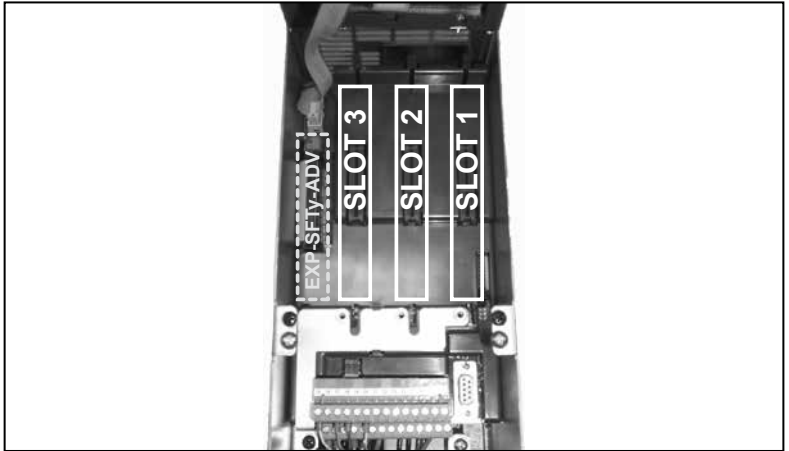
.....

The insulation monitor must be plugged into the main power supply (if ADV200 WA is AC-powered) or the DC side (if ADV200 WA is DC-powered).

The insulation monitor alarm threshold should be set to the highest possible resistance value.

.....

10.7 Installation of optional cards



Up to three optional cards can be inserted in the three slots under the top cover:

- **Slot 1-2:** dedicated to IO cards (EXP-IO-...-ADV)
- **Slot 3:** dedicated to field Bus cards (EXP-PDP-ADV, EXP-CAN-ADV, etc.).

Note!

=====

EXP- SFTy-ADV card (models ADV-...SI): Integrated on board as the 4th option or integrated in the INT-P-ADV power card (sizes \geq 72000 and "L" HW version and above).

=====



Attention

=====

If an optional card is inserted in an incorrect Slot, the drive will send an error message.

The EXP-SFTy-ADV safety card can be installed and configured only in factory.

=====



Caution

=====

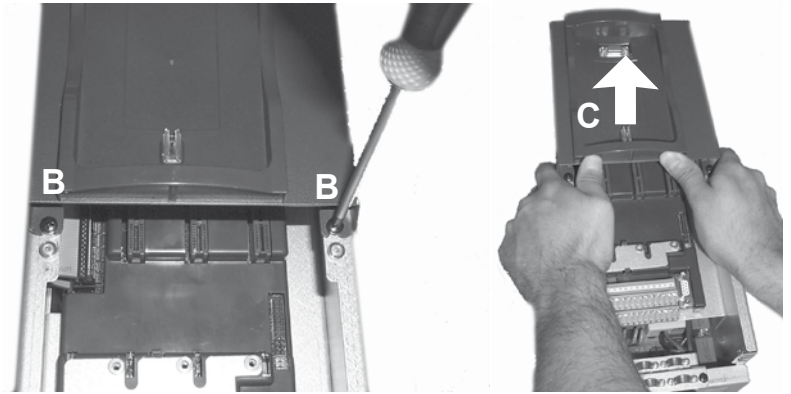
Use only the screws supplied with the optional cards.

Utilisez uniquement les vis fournies avec les cartes optionnelles.

=====

10.7.1 Procedure

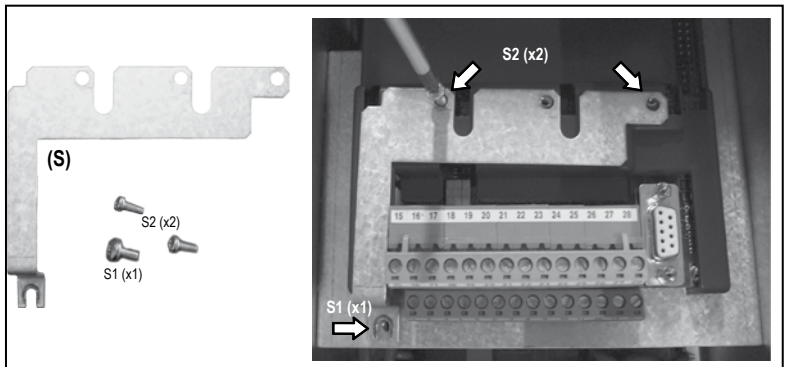
1. Remove the bottom cover as indicated in [paragraph 5.2.1](#).



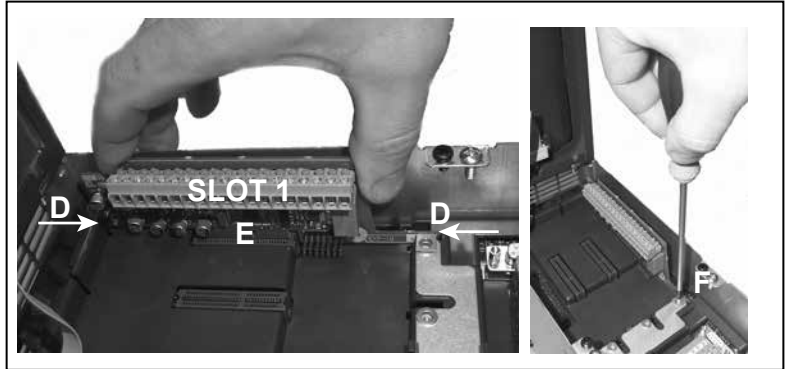
2. To remove the top cover, loosen screws B by about 2 turns and slide out cover C as shown in the figure.



3. To prevent damage to the connection of the keypad, the top cover can be positioned as indicated in the figure.
Alternatively, remove the connector of the keypad and rest the cover in a safe place.

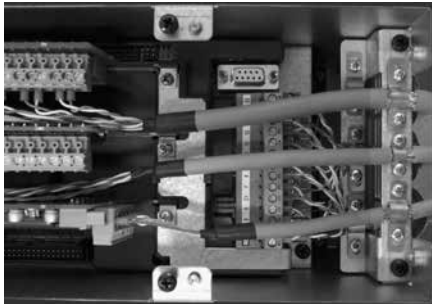


4. Position and fasten the metallic shield (S), provided with the optional card, with the screws S1 and S2 (x1) as shown in the figure.



5. Position the optional card in the dedicated Slot (in the example, the EXP-IO card is inserted in Slot 1). Align the ends of the card (D) in the slots and then fully insert the connector of the card in the connectors of the drive (E).
6. Fasten the card with the screw + washer (provided with the optional card) in housing (F) as shown in the figure.

10.7.2 Shielding of optional card connections



Fasten the shield of the cables to the omega sections as showed on figure.



Appendix 1 - Parallel connection (500 ... 1800 kW sizes)

A 1.1 Introduction

To obtain a drive of more than 400 kW connect a number of single units of between 250 kW and 400 kW in parallel.

A parallel connection of several drives basically consists of one MASTER unit and one or more SLAVE units.

Power	code	Description (Designation) ADV200-WA-...
500 kW	S9O76WM	72500-KXX-6-MS 05 -SI
	S9O76WS	72500-KXX-6-SL
630 kW	S9O77WM	73150-KXX-6-MS 06 -SI
	S9O77QS	73150-KXX-6-SL
710 kW	S9O78WM	73550-KXX-6-MS 07 -SI
	S9O78WS	73550-KXX-6-SL
800 kW	S9O79WM	74000-KXX-6-MS 08 -SI
	S9O79WS	74000-KXX-6-SL
1000 kW	S9O78WM1	73550-KXX-6-MS 10 -SI
	S9O78WS	73550-KXX-6-SL
	S9O78WS	73550-KXX-6-SL
1150 kW	S9O79WM1	74000-KXX-6-MS 12-SI
	S9O79WS	74000-KXX-6-SL
	S9O79WS	74000-KXX-6-SL
1500 kW	S9O79WM2	74000-KXX-6-MS 15-SI
	S9O79WL	74000-KXX-6-SL
	S9O79WL	74000-KXX-6-SL
	S9O79WL1	74000-KXX-6-SL2
1800 kW	S9O79WM3	74000-KXX-6-MS 18-SI
	S9O79WL	74000-KXX-6-SL
	S9O79WL	74000-KXX-6-SL
	S9O79WL1	74000-KXX-6-SL2
	S9O79WL1	74000-KXX-6-SL2

Power	code	Description (Designation) ADV200-WA-...
500 kW	S9O76WMC	72500-KXX-6-MS 05-DC- SI
	S9O76WSC	72500-KXX-6-SL-DC
630 kW	S9O77WMC	73150-KXX-6-MS 06-DC-SI
	S9O77WSC	73150-KXX-6-SL-DC
710 kW	S9O78WMC	73550-KXX-6-MS 07-DC-SI
	S9O78WSC	73550-KXX-6-SL-DC
800 kW	S9O79WMC	74000-KXX-6-MS 08-DC-SI
	S9O79WSC	74000-KXX-6-SL-DC
1000 kW	S9O78W1C	73550-KXX-6-MS 10-DC-SI
	S9O78WSC	73550-KXX-6-SL-DC
	S9O78WSC	73550-KXX-6-SL-DC
1150 kW	S9O79W1C	74000-KXX-6-MS 12-DC-SI
	S9O79WSC	74000-KXX-6-SL-DC
	S9O79WSC	74000-KXX-6-SL-DC
1500 kW	S9O79W2C	74000-KXX-6-MS 15-DC-SI
	S9O79WSC	74000-KXX-6-SL-DC
	S9O79WSC	74000-KXX-6-SL-DC
	S9O79WSC1	74000-KXX-6SL2-DC
	S9O79WSC1	74000-KXX-6SL2-DC
1800 kW	S9O79W3C	74000-KXX-6-MS 18-DC-SI
	S9O79W5C	74000-KXX-6-SL-DC
	S9O79W5C	74000-KXX-6-SL-DC
	S9O79WSC1	74000-KXX-6-SL2-DC
	S9O79WSC1	74000-KXX-6-SL2-DC

Master unit

this is the only one to have the regulation card and keypad. It differs from the standard single unit in that the power section control card (INT-P-ADV) is reconfigured to function as MASTER and includes one or more MASTER - SLAVE (INT-SLAVE) interface cards, one card for each slave that is connected.

The MASTER - SLAVE interface is achieved via a specific signal cable included in the SLAVE drive packaging.

Slave unit

It differs from the standard single unit in that it has a dedicated power section control card (INT-P-ADV) and there is no regulation card or keypad.

INT-P-ADV-MASTER card

The INT-P-ADV-MASTER card provided with one or more INT-SLAVE cards, acts as the interface between the R-ADV regulation card and the power section of the master unit and all the slave units. It also performs the following functions:

- current signal scaling (via dip switch, factory-set)
- hardware dead time compensation

- alarm signal management (including local diagnostics via LED)
- temperature signal management.

INT-P-ADV-SLAVE card

The INT-P-ADV-SLAVE card interfaces between the power section of the slave unit and the master unit. It also performs the following functions:

- alarm signal management (including local diagnostics via LED)
- temperature signal management.

INT-SLAVE card

The INT-SLAVE interface card manages communication between a master unit and a slave unit.

The INT-SLAVE cards are mounted on the master unit, their number corresponding to that of the slaves that are connected (max. 4 slaves).

The INT-SLAVE card is factory-set.

|||||
 In the event of a failure, the INT-P-ADV card may only be replaced by trained and specialized WEG personnel.



The drives mounting the INT-P-ADV cards rev L and higher, can not be connected in parallel with drives that mount the INT-P-ADV card rev F or lower.

|||||

A 1.2 Compatibility of IGBT modules

Starting from July 2015, the following 690V products based on power stack 315kW and 355kW, which use IGBT modules “**INFINEON**” branded, will be manufactured with power modules “**FUJI**” branded too. Both types have same mechanical dimensions but they cannot combined together.

MODEL	Code	Type
INFINEON	S8HRS20	MODULE-IGBT6-1K7V 450A
FUJI	S8HRS44	MODULE-IGBT6-1K7V 450A

Code	Type	Product configuration with Module INFINEON	Product configuration with Module FUJI
S9O78W	ADV200-WA-73550-KXX-6	A1...B2	B3
S9O78W1C	ADV200-WA-73550-KXX-6-MS 10-DC-SI		
S9O78WL	ADV200-WA-73550-KXX-6-SL		
S9O78WM	ADV200-WA-73550-KXX-6-MS 07-SI		
S9O78WM1	ADV200-WA-73550-KXX-6-MS 10-SI		
S9O78WMC	ADV200-WA-73550-KXX-6-MS 07-DC-SI		
S9O78WS	ADV200-WA-73550-KXX-6-SI		
S9O78WSC	ADV200-WA-73550-KXX-6-SL-DC		
S9O79W	ADV200-WA-74000-KXX-6		
S9O79W1C	ADV200-WA-74000-KXX-6-MS 12-DC-SI		
S9O79WL	ADV200-WA-74000-KXX-6-SL		
S9O79WM	ADV200-WA-74000-KXX-6-MS 08-SI		
S9O79WM1	ADV200-WA-74000-KXX-6-MS 12-SI		
S9O79WMC	ADV200-WA-74000-KXX-6-MS 08-DC-SI		
S9O79WS	ADV200-WA-74000-KXX-6-SI		
S9O79WSC	ADV200-WA-74000-KXX-6-SL-DC		
S9O85W	ADV200-WA-73550-KXX-6-DC		

Code	Type	Product configuration with Module INFINEON	Product configuration with Module FUJI
S9O85WS	ADV200-WA-73550-KXX-6-DC-SI	A1...B2	B3
S9O86W	ADV200-WA-74000-KXX-6-DC		
S9O86WS	ADV200-WA-74000-KXX-6-DC-SI		
S9O80W1C	ADV200-WA-73550-KXX-6A-MS 10-DC-SI		
S9O80WL	ADV200-WA-73550-KXX-6A-SL		
S9O80WM	ADV200-WA-73550-KXX-6-MS 06-SI		
S9O80WM1	ADV200-WA-73550-KXX-6-MS 09-SI		
S9O80WMC	ADV200-WA-73550-KXX-6A-MS 07-DC-SI		
S9O80WS	ADV200-WA-73550-KXX-6A-SI		
S9O80WSC	ADV200-WA-73550-KXX-6A-SL-DC		
S9O81W	ADV200-WA-74000-KXX-6A	A1...B1	B3
S9O81W1C	ADV200-WA-74000-KXX-6A-MS 12-DC-SI		
S9O81WL	ADV200-WA-74000-KXX-6A-SL		
S9O81WM	ADV200-WA-74000-KXX-6-MS 07-SI		
S9O81WM1	ADV200-WA-74000-KXX-6-MS 10-SI		
S9O81WMC	ADV200-WA-74000-KXX-6A-MS 08-DC-SI		
S9O81WS	ADV200-WA-74000-KXX-6A-SI		
S9O81WSC	ADV200-WA-74000-KXX-6A-SL-DC		
S9O87W	ADV200-WA-73550-KXX-6A-DC		
S9O87WS	ADV200-WA-73550-KXX-6A-DC-SI		
S9O88W	ADV200-WA-74000-KXX-6A-DC		
S9O88WS	ADV200-WA-74000-KXX-6A-DC-SI		

.....



When replacing the IGBT modules on an existing product, it must be checked the "Prod Configuration" on the label for the correct replacement. IGBT module installed in the drive must be all the same type. See "Firmware & cards revision" in chapter "2.1 Drive type designation", page 13

.....



The following rules must be strictly followed:

- IGBT modules installed in the drive must be all same type / typology.
- Master / Slave products configuration must necessarily be made with the same IGBT type. It will be not possible to use drive with different product configuration between master and slave.
- For repair in field, the replacement of an IGBT module may be carry out with same type. It will be not possible to use drive Master with Infineon power module and drive Slave with Fuji power module and vice versa.

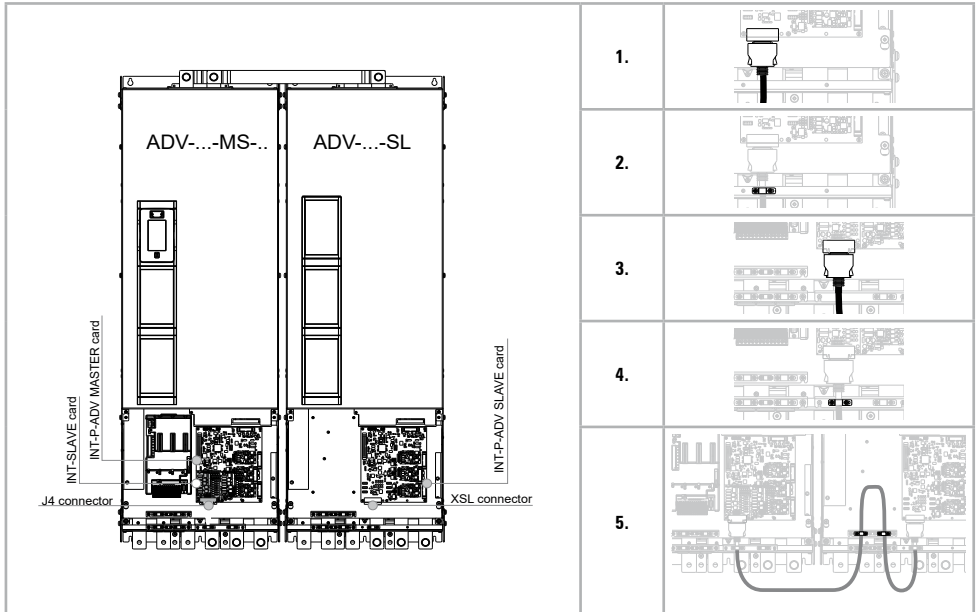
.....

A 1.3 MS-SL interface cable wiring sizes 500...800 kW

Fit the ADV200 WA MASTER and SLAVE inverters inside the electrical panel.
Connect all the power section cables and connect the signal cable for interfacing between the 2 drives.



The cable (code 8S860B) for connecting 2 drives is one metre long and has two quick coupling male MDR connectors at the ends.

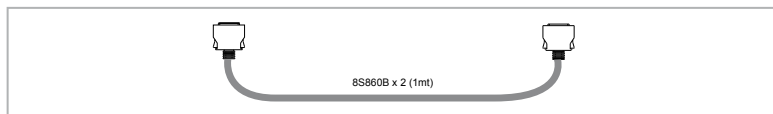


Wiring instructions:

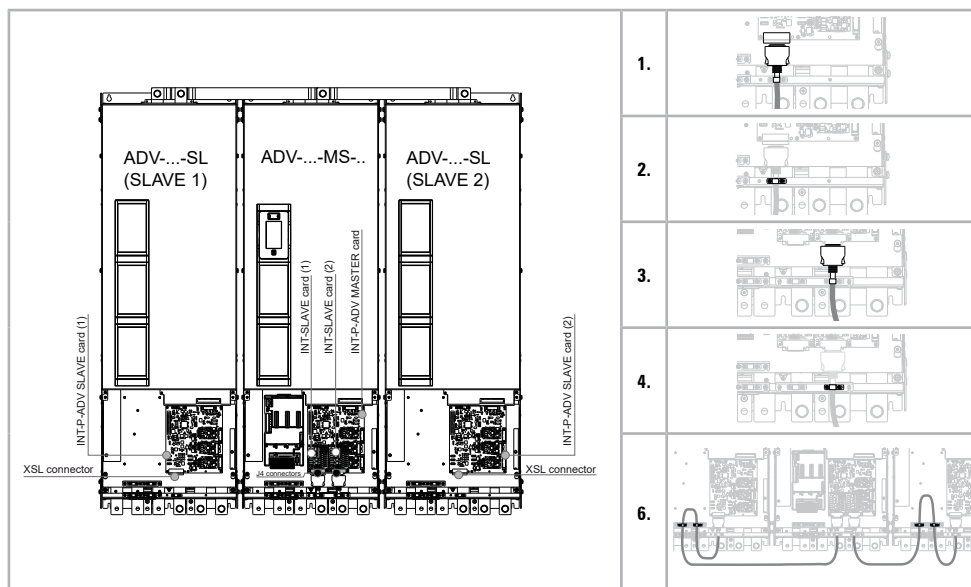
1. Connect one of the 2 ends of the interface cable to the XSL connector of the INT-P-ADV-SLAVE card.
2. Secure the cable using the specific clamp.
3. Connect the other end of the cable to connector J4 of the INT-SLAVE card mounted on the INT-P-ADV-MASTER card of the MASTER drive.
4. Secure the cable in the relative clamp
5. To prevent the interface cable from coming into contact with the power terminals, fold the excess length of cable inside the SLAVE drive as shown in the figure and secure it using the specific cable clamps.

A 1.4 MS-SL interface cable wiring sizes 900...1150 kW

Fit the ADV200 WA MASTER and SLAVE inverters inside the electrical panel.
Connect all the power section cables and connect the 2 signal cables for interfacing between the 3 drives.



The cable (code 8S860B, x 2) for connecting the drives is one metre long and has two quick coupling male MDR connectors at the ends.



Wiring instructions:

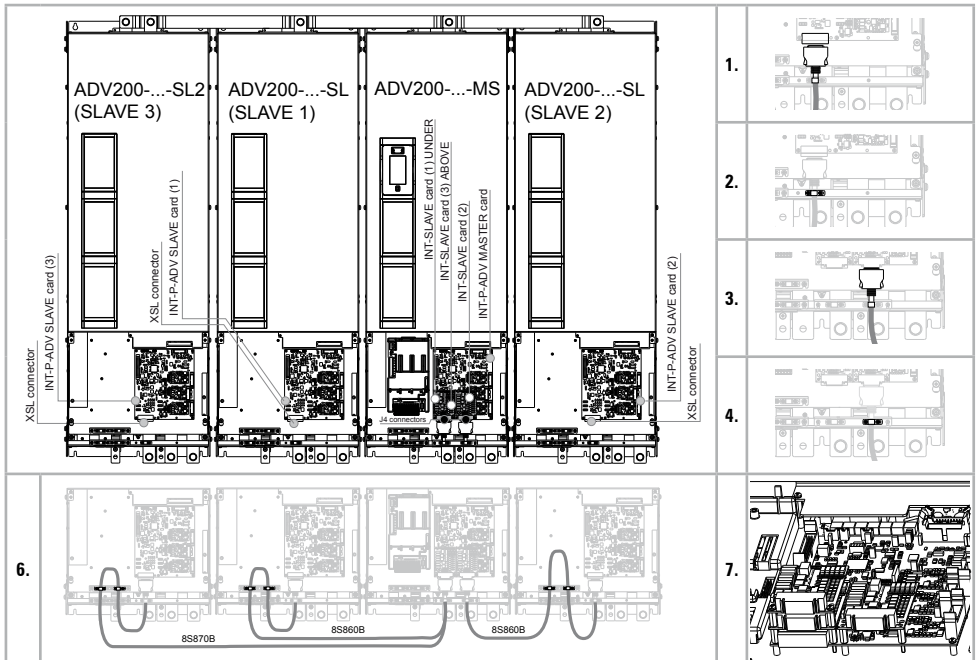
1. Connect one of the 2 ends of the interface cable to the XSL connector of the INT-P-ADV-SLAVE (SLAVE 2) card.
2. Secure the cable using the specific clamp.
3. Connect the other end of the cable to connector J4 of the INT-SLAVE (2) card mounted on the INT-P-ADV-MASTER card of the MASTER drive.
4. Secure the cable in the relative clamp
5. Repeat steps 1-2-3-4 for SLAVE 1.
6. To prevent the interface cables from coming into contact with the power terminals, fold the excess length of cable inside the SLAVE drive as shown in the figure and secure it using the specific cable clamps.

A 1.5 MS-SL interface cable wiring sizes 1.5 MW

Fit the ADV200 WA MASTER and SLAVE inverters inside the electrical panel.
Connect all the power section cables and connect the 3 signal cables for interfacing between the 4 drives.



The cables (cod. 8S860B x2 + cod. 8S870B x 1) for connecting the ADV200 WA-...-SL and ADV200 WA-...-SL2 drives are respectively one meter and two meters long and has two quick coupling male MDR connectors at the ends.

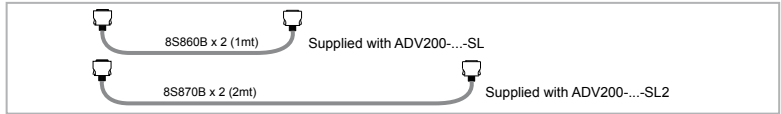


Wiring instructions:

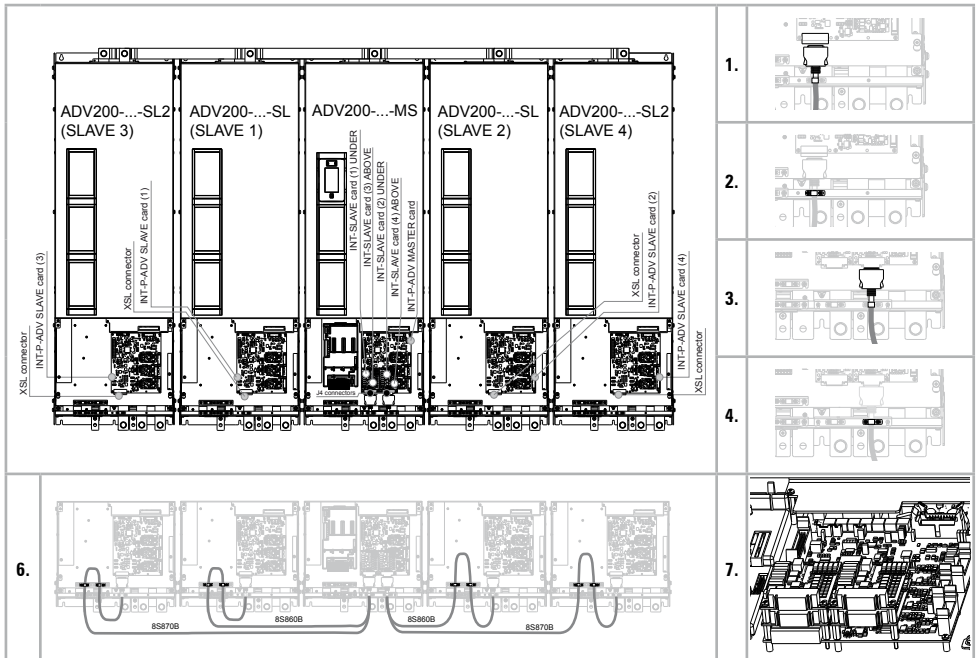
1. Connect one of the 2 ends of the interface cable to the XSL connector of the INT-P-ADV-SLAVE (SLAVE 2) card.
2. Secure the cable using the specific clamp.
3. Connect the other end of the cable to connector J4 of the INT-SLAVE (2) card mounted on the INT-P-ADV-MASTER card of the MASTER drive.
4. Secure the cable in the relative clamp
5. Repeat steps 1-2-3-4 for SLAVE 1 and SLAVE 3 (see figure 6-7 for location and wiring of INT-SLAVE card on INT-P-ADV-MASTER card)
6. To prevent the interface cables from coming into contact with the power terminals, fold the excess length of cable inside the SLAVE drive as shown in the figure and secure it using the specific cable clamps.

A 1.6 MS-SL interface cable wiring sizes 1.8 MW

Fit the ADV200 WA MASTER and SLAVE inverters inside the electrical panel.
Connect all the power section cables and connect the 4 signal cables for interfacing between the 5 drives.



The cables (cod. 8S860B x2 + cod. 8S870B x 2) for connecting the ADV200 WA...-SL and ADV200 WA...-SL2 drives are respectively one meter and two meters long and has two quick coupling male MDR connectors at the ends.



Wiring instructions:

1. Connect one of the 2 ends of the interface cable to the XSL connector of the INT-P-ADV-SLAVE (SLAVE 2) card.
2. Secure the cable using the specific clamp.
3. Connect the other end of the cable to connector J4 of the INT-SLAVE (2) card mounted on the INT-P-ADV-MASTER card of the MASTER drive.
4. Secure the cable in the relative clamp
5. Repeat steps 1-2-3-4 for SLAVE 1, SLAVE 3 and SLAVE 4 (see figure 6-7 for location and wiring of INT-SLAVE card on INT-P-ADV-MASTER card)
6. To prevent the interface cables from coming into contact with the power terminals, fold the excess length of cable inside the SLAVE drive as shown in the figure and secure it using the specific cable clamps.

A 1.7 Jumpers and Switches

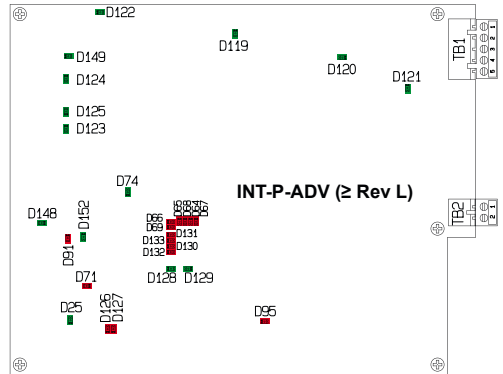
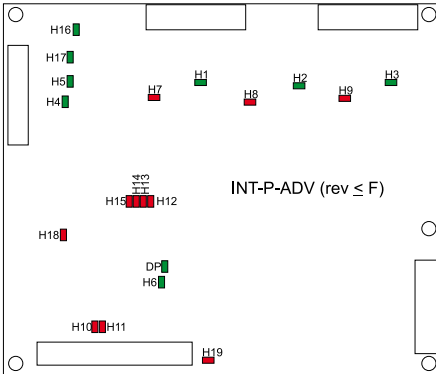
INT-P-ADV (MASTER and SLAVE) cards

The jumpers and switches on these cards are factory-set. DO NOT change these settings.

A 1.8 LEDs

The cards incorporate a LED diagnostics system for rapid analysis of everything happening on a multi-unit drive.

INT-P-ADV (MASTER and SLAVE) cards



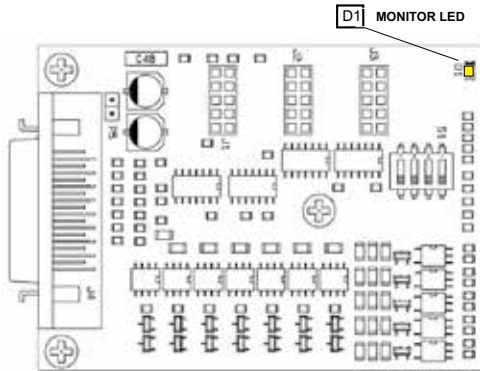
LEDS		Colour	FUNCTION	Normal functioning
≤ F (*)	≥ L (*)			
MONITOR				
H1	D119	Green	+15V_PWR_U monitor	On
H2	D120	Green	+15V_PWR_V monitor	On
H3	D121	Green	+15V_PWR_W monitor	On
H4	D123	Green	+15V monitor	On
H5	D125	Green	-15V monitor	On
H6	D129	Green	+3,3V monitor	On
	D25	Green	+3,3V R monitor	On
H16	D122	Green	+24V monitor	On
H17	D124	Green	+5V monitor	On
DP*	D128	Green	It switches on after power supply start-up when the FPGA configuration sequence is complete	On
	D149	Green	+5V safety monitor	On
ALARM				
H7	D67/D64	Red	PHASE U	Off
H8	D68/D65	Red	PHASE V	They light up to indicate a short circuit between the output phases
H9	D69/D66	Red	PHASE W	
H10	D126	Red	It lights up to indicate a power rectifier heat sink overtemperature	

LEDS		Colour	FUNCTION		Normal functioning
≤ F (*)	≥ L (*)				
H11	D127	Red	It lights up to indicate overtemperature of the air inside the drive		Off
H12	D132	Red	IGBT U	They light up to indicate loss of the feedback signal relating to the moment the IGBT devices are switched on. The signal is used for hardware dead time compensation	Off
H13	D130	Red	IGBT V		Off
H14	D133	Red	IGBT W		Off
H15	D131	Red	<p>It lights up in case of overtemperature of one of the IGBT devices. The signal temperature relating to the hotter of the master and slave IGBT devices is sent to the regulation card.</p> <p>A temperature signal is also sent automatically to the regulation card in case of minimum temperature, which could occur in the event of a fault in one of the temperature reading circuits.</p> <p>The loss of one of the temperature signals is indicated by LED H15, with the code indicated by the number of flashes (*): the sequence of flashes to indicate the faulty PHASE or SLAVE has a 3Hz frequency and is repeated cyclically every 5 seconds.</p>		Off
H18	D91	Red	It lights up on the INT-P-ADV MASTER card to indicate that the drive's total current (master + slave) has exceeded the overcurrent value for the size of drive, whereas it lights up on the INT-P-ADV SLAVE card to indicate that the SLAVE current has only exceeded the overcurrent value of the SLAVE.		Off
H19	D95	Red	It lights up to indicate a fault on the DC-BUS power supply regulation card		Off
	D71	Red	Overvoltage / Undervoltage safety supply		Off
OPERATIONS					
	D148	Red	FPGA active reset HW		On
	D152	Green	Active PWM from regulation and sent to power (master drive or single drive only)		On
			Active PWM from regulation but cancelled (master drive or single drive only)		Blinking
			Active PWM to power (master drive and single drive only)		On
	D74	Green	Active PWM to power		On

(*) HW revision of INT-P-ADV card

(*) Led H15 code indicated by number of flashes	NO. FLASHES
PHASE U	1
PHASE V	2
PHASE W	3
SLAVE 1	4
SLAVE 2	5
SLAVE 3	6
SLAVE 4	7

INT-SLAVE cards

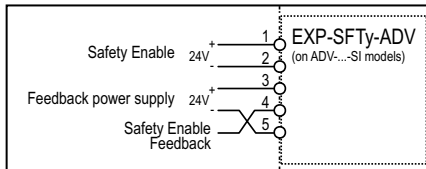


LEDS	Colour	FUNCTION	Normal functioning
MONITOR			
D1	Yellow	It flashes to indicate the presence of the temperature signal of the slave drive that is connected	Flashes

A 1.9 Safety STO Interface

A 1.9.1 ADV200 WA-...-MS-SI models (INT-P-ADV card, revision “F” and lower)

The EXP-SFTy card is integrated as standard in the master inverter of 500 to 1150 kW parallel versions.



.....
 If the safety function is not required, **the safety enable command must still be sent to terminal 1** on the EXP-SFTy-ADV card **to enable the drive**.



.....
 For instructions on connecting and commissioning the safety card with the SIL2 or SIL3 safety level function, please see chapter 7 “Application Examples” in the Safety manual (code 1S5F94) which you can download from www.weg.net.

A 1.9.2 ADV-...-MS-SI models (INT-P-ADV card, from revision “L”)

The ADV200 WA size 7 (and parallel unit ADV200 WA-...-MS) does not have the EXP-SFTy-ADV card, it is integrated and maintains all of the functions in the INT-P-ADV MASTER card (from revision “L”).

In the reference manual for “Description of functions and parameters list” (ADV200

WA FP, code 1S9WPEN) safety function management parameters maintain the reference to the “EXP-SFTy-ADV card”.



If the safety function is not required, the safety enable command (**SFTy ENABLE**) must still be sent to PIN1 terminal TB1 on the INT-P-ADV card to enable the drive.

For instructions on connecting and commissioning the safety card with the SIL2 or SIL3 safety level function, please see chapter 7 “Application Examples” in the STO Safety Interface manual (code 1S5F94) which you can download from www.weg.net.

TB1 terminal



Terminal	Signal name	Function Description	Electrical limits and range
5	0-	+ 0 COM power supply for alarm feedback circuit	(IN) 0V
4	FB	+ 24V@100mA output feedback signal SAFETY DISABLED	(OUT) 0...35V; 150mA maximum DC current
3	0+	+ 24V power supply for alarm feedback circuit	(IN) + 5v...35v with respect to #5
2	- (SFTy ENABLE)	0V COM for disabling the safety function	(IN) 0V
1	+ (SFTy ENABLE)	+ 24v for disabling the safety function	(IN) + 12... + 35v with respect to #2

State of feedback to terminal TB1-4 based on (**SFTy ENABLE**) command to pins 1, 2 and of ENABLE control to pin 7 of the R-ADV200 card:

CONTROLLER ENABLE	(SFTy ENABLE)	FB Feedback (SFTy ENABLE)
24V	OPEN	0-
OPEN	24V	0+
OPEN	OPEN	0-
24V	24V	0+

TB2 terminal

SAFETY STATUS digital output ad OPTOMOS: 0...35V, 150mA max



Terminal TB2 provides a digital output to OPTOMOS (SAFETY STATUS), which is not used in the safety chain but can be used to signal the STO state to the R-ADV200 control card (via digital input).

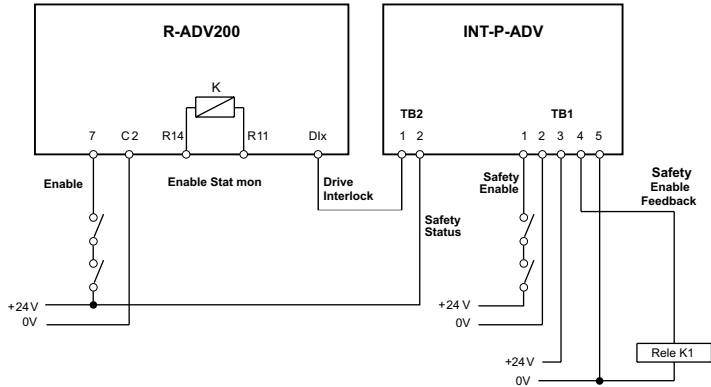
A typical application can be to program as DRIVE INTERLOCK the source of the digital input to which +24V is delivered via the SAFETY STATUS output.

When the STO function is disabled (24V present between terminals 1 and 2 of TB1), the contact (SAFETY STATUS) between pins 1 and 2 of TB2 is closed

CONTROLLER ENABLE	(SFTy ENABLE)	FB2 Feedback (SAFETY ENABLE)
24V	OPEN	Open
OPEN	24V	Close
OPEN	OPEN	Open
24V	24V	Close

In this way, when the **(SFTy ENABLE)** command is high, the control input programmed as DRIVE INTERLOCK is also high and the drive can be enabled.

Figure A1: Connection of safety terminals TB1 and TB2 on INT-P-ADV card



If the **(SFTy ENABLE)** command is removed, the DRIVE INTERLOCK input on the control card goes low and the drive is disabled instantaneously. To re-enable the drive, you first have to set the **(SFTy ENABLE)** command to high (see parameter 1032 **Drv Interlock src** in ADV200 manual) and then remove and re-give the ENABLE and START commands to the control card.

Note!

If the **(SFTy ENABLE)** signal is removed from terminal TB1 of the INT-P-ADV card and the SAFETY STATUS signal is not connected to the control card, the PWM impulses (from the control card) are blocked by the STO interface but the control card (not having feedback on STO state) remains enabled. This irregular condition is signaled by LED D152 blinking at 3Hz, and the drive remains in this condition even when the **(SFTy ENABLE)** signal is given again.

To resume control of the motor, you first have to remove the ENABLE and START commands from the control card and re-give them only after setting the **(SFTy ENABLE)** command to high.

The **(SFTy ENABLE)** command can also be re-given before removing the ENABLE and START commands.

Appendix 2 - Miscellaneous

A 2.1 DC-link capacity

Size	DC-link capacity
	(μ F)
72000	11200
72500	11200
73150	11200
73550	11200
74000	11200
500 kW	22400
630 kW	22400
710 kW	22400
800 kW	22400
1000 kW	33600
1150 kW	33600
1500 MW	44800
1800 MW	56000



Attention

|||||
You can add an external capacitor from sizes 72000 and higher (ask WEG for more details).
|||||

Quick Start Manual

Series: ADV200 WA-6

Revision: 1.2

Date: 15-11-2022

Code: 1S9WQEN

WEG Automation Europe S.r.l.

Via Giosuè Carducci, 24

21040 Gerenzano (VA) · Italy