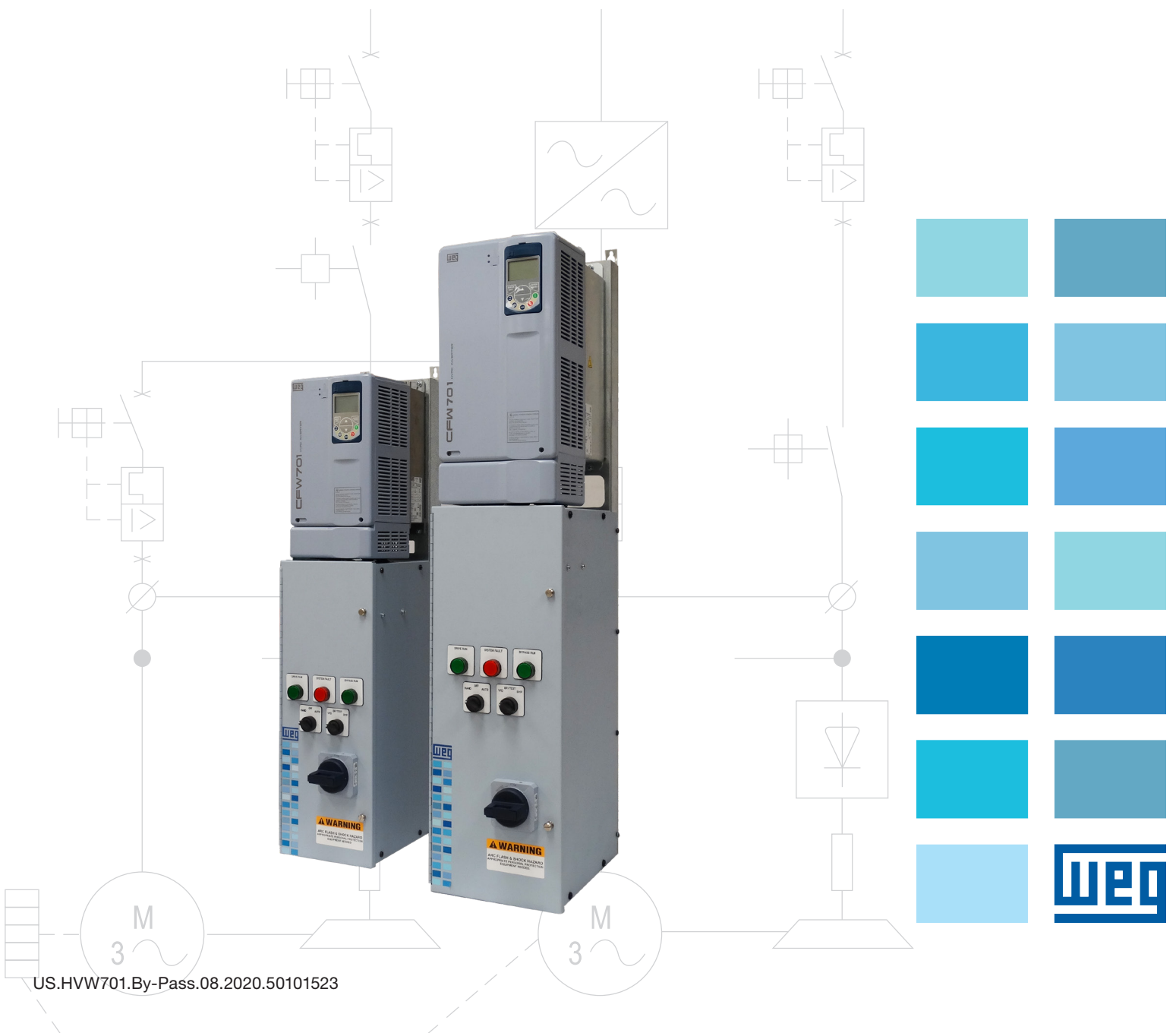


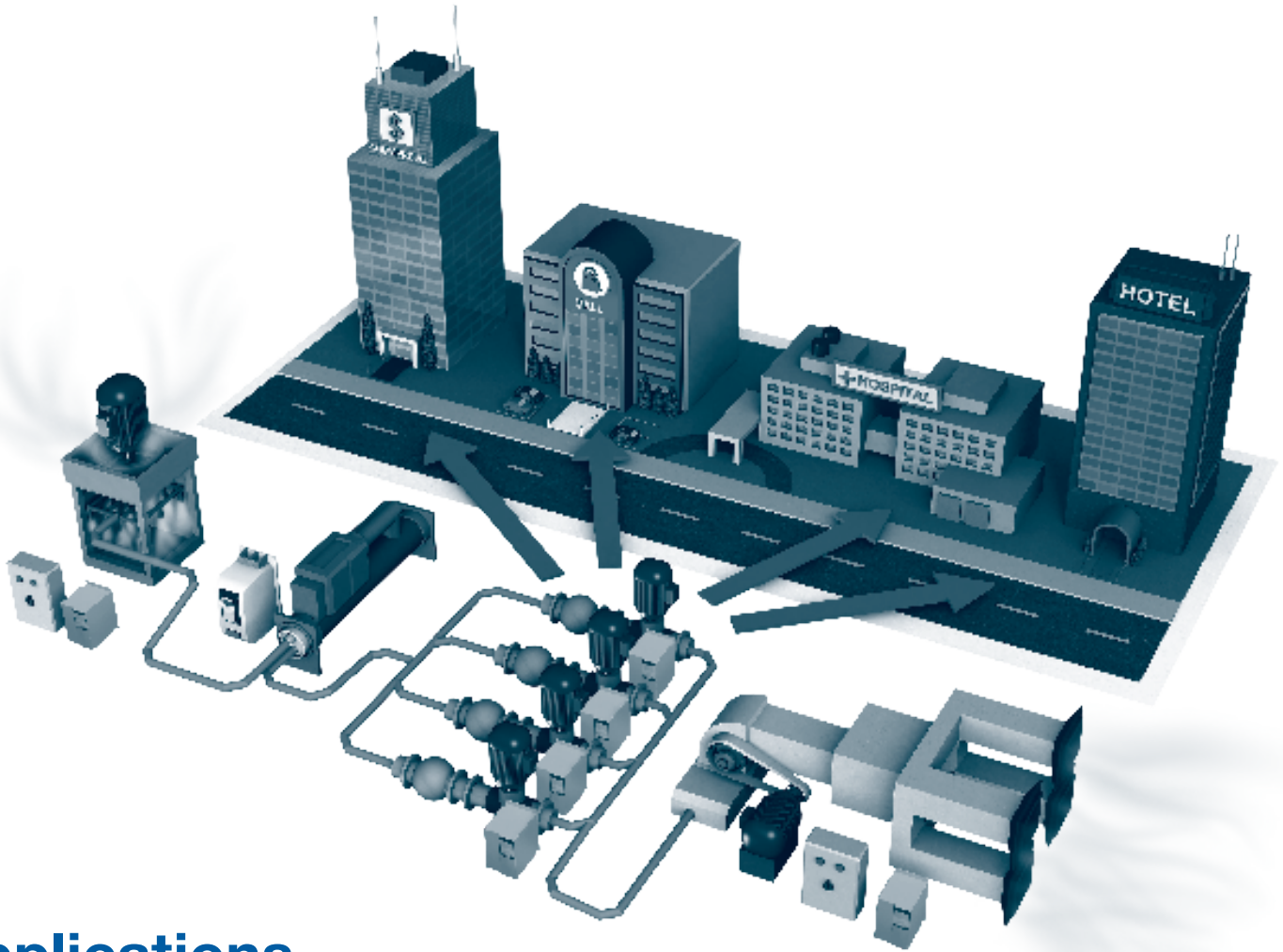
# HVW701 Drive Panels rated for 65KA and with Damper Control

Designed Especially for HVAC-R Systems



# WEG HVAC-R Products

WEG, a leading supplier of AC motor control technology and automation products, has enhanced the line of variable frequency drives for heating, ventilation, air conditioning and refrigeration. The WEG HVAC-R Portfolio of products is designed with the features and functions required for HVAC systems, with the same reliability, robustness and energy-efficient control known in our industrial lines. WEG now brings this technology to hospitals, airports, office buildings, hotels, shopping centers as well as other commercial and industrial facilities.



## Applications

- Hospitals
- Airports
- Shopping Malls
- Sports Facilities
- Schools and Universities
- Hotels and Restaurants
- Condominium and Residential
- Municipal and Commercial Buildings
- Chillers and Compressors
- Cooling Towers
- Boiler Circulation Pumps
- Chill Water Circulation Pumps
- Exhaust Fans
- Clean Room Air Handling
- Tunnel Ventilation

# WEG HVAC-R Products

## Drive Features

- RFI filter built-in for all frame sizes
- BACnet, Metasys N2 and Modbus-RTU embedded using the RS-485 port
- Thermal Management for drive fan control
- Soft PLC Function
- Process feedback in engineering units
- Direct/Reverse PID Control Selection
- Control Set point

## Performance Features

- Overload capacity: nominal 110% for 60sec. (150% peak)
- Adjustable accel/decel: 0.0 to 900.0 Sec.
- Controlled speed range: 1:20
- Critical frequency avoidance: 3 selectable, adjustable bands
- Torque-limiting: 30-180%
- Torque boost: full range, automatic
- Fault Auto-Reset with programmable time interval
- Feedback signal loss detection
- Serial communications loss detection
- “Up/Down” floating point control capability (PI)
- Sleep function
- Run-permissive input

## Drive and Motor Protection Features

- Current-limited stall prevention
- Heat sink over-temperature, speed fold-back
- Bi-directional start into rotating motor
- Optically-isolated controls
- Output short circuit protection: Phase-phase and phase-neutral
- Output Ground Fault Protection
- Electronic motor overload: UL
- Fault display: last 10 faults

## Control Features

**Power Saving Flux Optimization** - (Energy Saving Algorithm) Stator flux is controlled so that motor losses are reduced increasing motor efficiency

**Fire Mode** – Forces the drive to override its internal faults and protections, allowing the drive and motor to run during extreme conditions

**Dry Pump** – Monitors motor torque and prevents the pump from running with no load

**Sleep / Wake-Up Mode** – Prevents prolonged motor operation at low speeds for a programmable amount of time. Wake-up mode determines when the drive and motor resume normal operation

**Bypass function** – Allows the VFD to be by-passed and the motor to be run across the line

**Short Cycling Protection** – Prevents repetitive motor restarting after short periods of time

**Broken Belt Protection** – Monitors motor torque preventing it from running with no load in case of a broken belt or coupling

**Filter Maintenance Alarm** – A warning for filter maintenance is displayed on the keypad based on an adjustable time interval (time is programmed in the drive)

**PTC function** – Using drive I/O, PTC thermal sensors can be monitored to prevent motor overheating

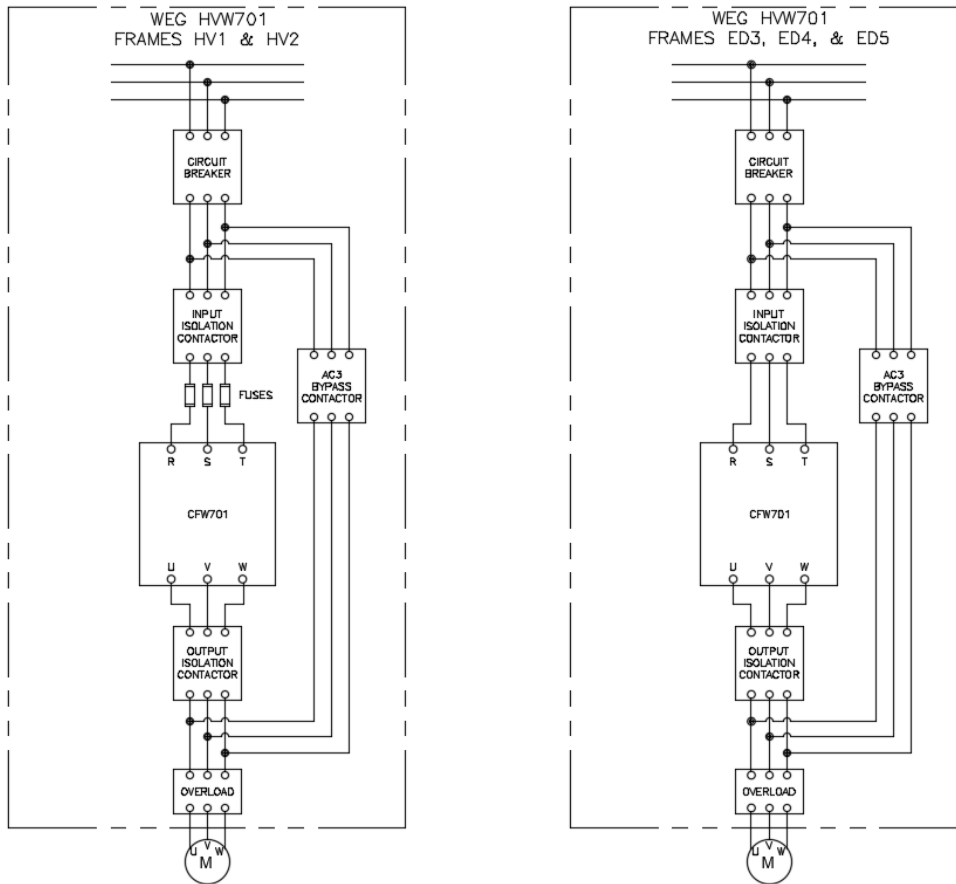
**Main PID Controller** – Internal PID loops available for drive control



# HVW701 HVAC-R By-Pass

The WEG HVW701 HVAC-R By-Pass system is comprised of the CFW701 Variable Frequency Drive with integral manual By-Pass. It is designed for heating, ventilation, air conditioning and refrigeration systems where continued operation is critical and space is at a premium. The HVW701 is designed to provide reliable and energy-efficient control for applications in office buildings, hospitals, airports, hotels, shopping centers or other similar facilities. **Now, it is rated for Short circuit current rating (SCCR) of 65KA and offers Damper Control.**

## HVW701, 3-CONTACTOR BYPASS PANEL EXAMPLE



### Available Configurations

#### Enclosure Frame HV1 & HV2

NEMA 1 with 3-Contactor By-Pass, 65KA (Most frames available in stock)

NEMA 1 with Circuit Breaker Only, 65KA (4 weeks)

#### Enclosure Frame ED3, ED4 & ED5

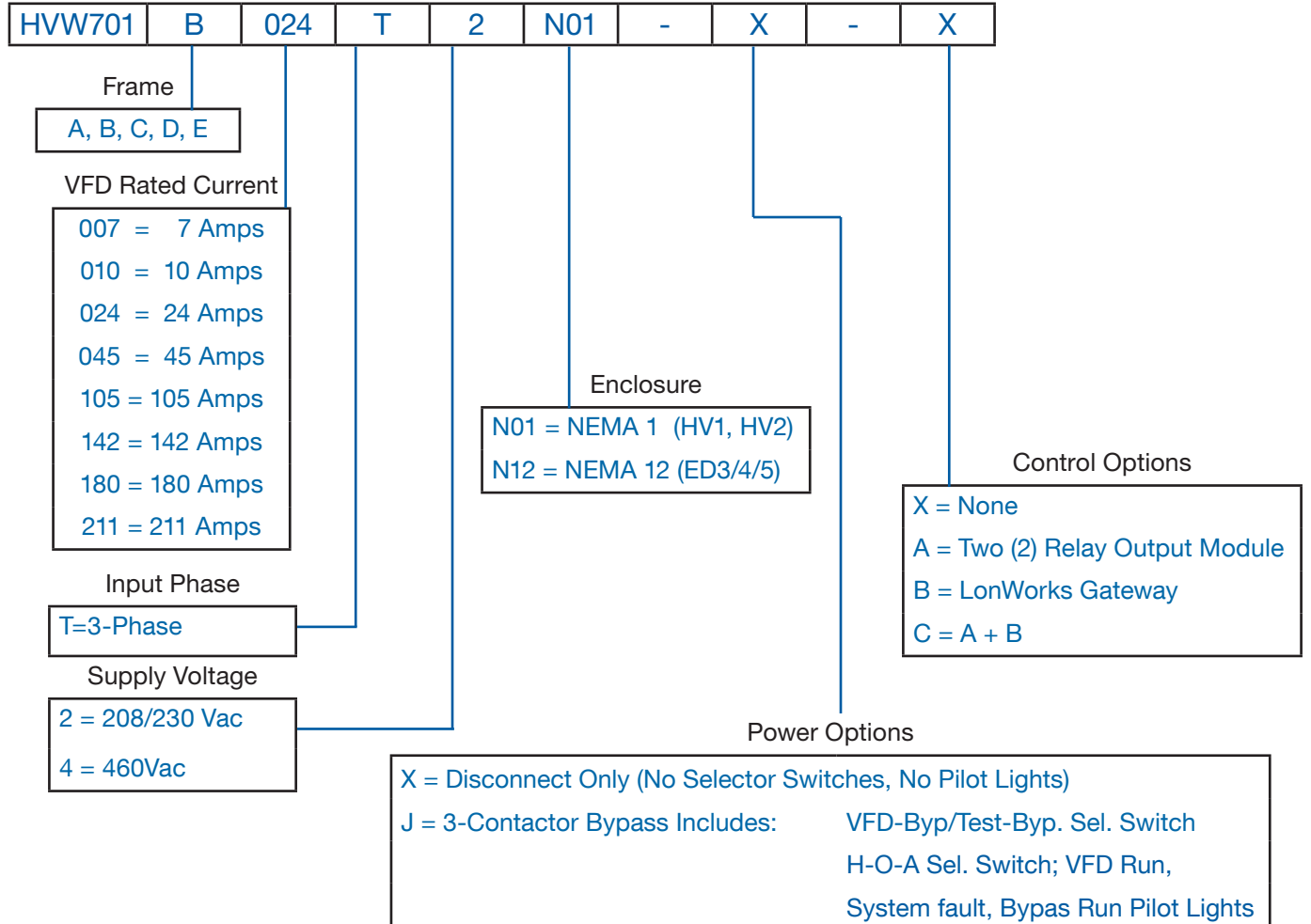
NEMA 12 with 3-Contactor By-Pass, 65KA (Most frames available in stock)

NEMA 12 with Circuit Breaker Only, 65KA (4 weeks)

# HVW701

## HVAC Drive Panel with By-Pass - NEMA 1 Enclosure

### HVW701 Catalog Number Sequence





# HVW701

## HVAC-R Drive Panel: Circuit Breaker Only, SCCR - 65KA

Motor Voltage	Motor HP <sup>2</sup>	VFD Panel O/P Current <sup>3</sup>	New Catalog Number	Braking Transistor	Enclosure Frame Size	List Price	Multiplier	Old Catalog Number
<b>Input Power Supply: 3/208Vac <sup>1</sup> (For 3/230Vac, the control power transformer must be re-configured.)</b>								
3/208 Vac <sup>1</sup>	2	7	<a href="#">HVW701A007T2N01-X-X</a>	YES	HV1	\$ 3,290	V3	HVW701A007DN01000000
	3	10	<a href="#">HVW701A010T2N01-X-X</a>	YES	HV1	\$ 3,355	V3	HVW701A010DN01000000
	3	13	<a href="#">HVW701A013T2N01-X-X</a>	YES	HV1	\$ 3,400	V3	HVW701A013DN01000000
	5	16	<a href="#">HVW701A016T2N01-X-X</a>	YES	HV1	\$ 3,485	V3	HVW701A016DN01000000
	7.5	24	<a href="#">HVW701B024T2N01-X-X</a>	YES	HV1	\$ 3,820	V3	HVW701B024DN01000000
	10	28	<a href="#">HVW701B028T2N01-X-X</a>	YES	HV1	\$ 3,850	V3	HVW701B028DN01000000
	10	33.5	<a href="#">HVW701B033T2N01-X-X</a>	YES	HV1	\$ 4,065	V3	HVW701B033DN01000000
	15	45	<a href="#">HVW701C045T2N01-X-X</a>	YES	HV2	\$ 4,620	V3	HVW701C045DN01000000
	20	54	<a href="#">HVW701C054T2N01-X-X</a>	YES	HV2	\$ 5,365	V3	HVW701C054DN01000000
	20	60	<a href="#">HVW701C070T2N01-X-X</a>	YES	HV2	\$ 6,400	V3	-
	30	86	<a href="#">HVW701D086T2N12-X-X</a>	YES	ED3	\$ 7,505	V3	HVW701D086DN01000000
	40	105	<a href="#">HVW701D105T2N12-X-X</a>	YES	ED3	\$ 9,790	V3	HVW701D105DN01000000
	50	142	<a href="#">HVW701E142T2N12-X-X</a>	NO	ED4	\$ 12,825	V3	HVW701E142DN01000000
	60	180	<a href="#">HVW701E180T2N12-X-X</a>	NO	ED4	\$ 14,540	V3	HVW701E180DN01000000
75	211	<a href="#">HVW701E211T2N12-X-X</a>	NO	ED4	\$ 21,250	V3	HVW701E211DN01000000	
<b>Input Power Supply: 3/460Vac</b>								
3/460 Vac	3	5	<a href="#">HVW701A005T4N01-X-X</a>	YES	HV1	\$ 3,850	V3	HVW701A005GN01000000
	7.5	10	<a href="#">HVW701A010T4N01-X-X</a>	YES	HV1	\$ 3,920	V3	HVW701A010GN01000000
	10	13.5	<a href="#">HVW701A013T4N01-X-X</a>	YES	HV1	\$ 3,975	V3	HVW701A013GN01000000
	10	17	<a href="#">HVW701B017T4N01-X-X</a>	YES	HV1	\$ 4,195	V3	HVW701B017GN01000000
	15	24	<a href="#">HVW701B024T4N01-X-X</a>	YES	HV1	\$ 4,550	V3	HVW701B024GN01000000
	25	31	<a href="#">HVW701B031T4N01-X-X</a>	YES	HV1	\$ 5,010	V3	HVW701B031GN01000000
	30	38	<a href="#">HVW701C038T4N01-X-X</a>	YES	HV2	\$ 5,775	V3	HVW701C038GN01000000
	30	45	<a href="#">HVW701C045T4N01-X-X</a>	YES	HV2	\$ 6,260	V3	HVW701C045GN01000000
	40	58.5	<a href="#">HVW701C058T4N01-X-X</a>	YES	HV2	\$ 6,905	V3	HVW701C058GN01000000
	60	70.5	<a href="#">HVW701D070T4N12-X-X</a>	YES	ED3	\$ 8,485	V3	HVW701D070GN01000000
	75	88	<a href="#">HVW701D088T4N12-X-X</a>	YES	ED3	\$ 10,995	V3	HVW701D088GN01000000
	75	105	<a href="#">HVW701E105T4N12-X-X</a>	NO	ED4	\$ 13,975	V3	HVW701E105GN01000000
	125	142	<a href="#">HVW701E142T4N12-X-X</a>	NO	ED4	\$ 15,705	V3	HVW701E142GN01000000
	150	180	<a href="#">HVW701E180T4N12-X-X</a>	NO	ED4	\$ 20,930	V3	HVW701E180GN01000000
175	211	<a href="#">HVW701E211T4N12-X-X</a>	NO	ED4	\$ 24,185	V3	HVW701E211GN01000000	

**Notes:**

- The VFD panel is wired for 3/208Vac input voltage as a standard. It can be re-configured for 3/230VAC line voltage by simply changing the primary connection of the control power transformer. (For 3/230Vac, please move wire "JT2" from Transformer primary TB # "H3" (208V) to "H2" (230V)).
- The "HP" ratings are based on "average FLA values" and on WEG W22, 4-Pole Motors. Use as a guide only.
- Maximum continuous VFD panel output current. The motor being used must have FLA less than or equal to this rating. The based CFW701 VFD is rated for Variable Torque (Quadratic Load), 110% overload / 60 sec, every ten (10) minutes.

# HVW701

## HVAC-R Drive Panel: Circuit Breaker Only with Relay O/P Module, SCCR - 65KA.

Motor Voltage	Motor HP <sup>2</sup>	VFD Panel O/P Current <sup>3</sup>	New Catalog Number	Braking Transistor	Enclosure Frame Size	List Price	Multiplier
<b>Input Power Supply: 3/208Vac<sup>1</sup> (For 3/230Vac, the control power transformer must be re-configured.)</b>							
<b>3/208 Vac <sup>1</sup></b>	2	7	<a href="#">HVW701A007T2N01-X-A</a>	YES	HV1	\$ 3,435	V3
	3	10	<a href="#">HVW701A010T2N01-X-A</a>	YES	HV1	\$ 3,500	V3
	3	13	<a href="#">HVW701A013T2N01-X-A</a>	YES	HV1	\$ 3,545	V3
	5	16	<a href="#">HVW701A016T2N01-X-A</a>	YES	HV1	\$ 3,630	V3
	7.5	24	<a href="#">HVW701B024T2N01-X-A</a>	YES	HV1	\$ 3,965	V3
	10	28	<a href="#">HVW701B028T2N01-X-A</a>	YES	HV1	\$ 3,995	V3
	10	33.5	<a href="#">HVW701B033T2N01-X-A</a>	YES	HV1	\$ 4,210	V3
	15	45	<a href="#">HVW701C045T2N01-X-A</a>	YES	HV2	\$ 4,765	V3
	20	54	<a href="#">HVW701C054T2N01-X-A</a>	YES	HV2	\$ 5,510	V3
	20	60	<a href="#">HVW701C070T2N01-X-A</a>	YES	HV2	\$ 6,545	V3
	30	86	<a href="#">HVW701D086T2N12-X-A</a>	YES	ED3	\$ 7,650	V3
	40	105	<a href="#">HVW701D105T2N12-X-A</a>	YES	ED3	\$ 9,935	V3
	50	142	<a href="#">HVW701E142T2N12-X-A</a>	NO	ED4	\$ 12,970	V3
	60	180	<a href="#">HVW701E180T2N12-X-A</a>	NO	ED4	\$ 14,685	V3
	75	211	<a href="#">HVW701E211T2N12-X-A</a>	NO	ED4	\$ 21,395	V3
<b>Input Power Supply: 3/460Vac</b>							
<b>3/460 Vac</b>	3	5	<a href="#">HVW701A005T4N01-X-A</a>	YES	HV1	\$ 3,995	V3
	7.5	10	<a href="#">HVW701A010T4N01-X-A</a>	YES	HV1	\$ 4,065	V3
	10	13.5	<a href="#">HVW701A013T4N01-X-A</a>	YES	HV1	\$ 4,120	V3
	10	17	<a href="#">HVW701B017T4N01-X-A</a>	YES	HV1	\$ 4,340	V3
	15	24	<a href="#">HVW701B024T4N01-X-A</a>	YES	HV1	\$ 4,695	V3
	25	31	<a href="#">HVW701B031T4N01-X-A</a>	YES	HV1	\$ 5,155	V3
	30	38	<a href="#">HVW701C038T4N01-X-A</a>	YES	HV2	\$ 5,920	V3
	30	45	<a href="#">HVW701C045T4N01-X-A</a>	YES	HV2	\$ 6,405	V3
	40	58.5	<a href="#">HVW701C058T4N01-X-A</a>	YES	HV2	\$ 7,050	V3
	60	70.5	<a href="#">HVW701D070T4N12-X-A</a>	YES	ED3	\$ 8,630	V3
	75	88	<a href="#">HVW701D088T4N12-X-A</a>	YES	ED3	\$ 11,140	V3
	75	105	<a href="#">HVW701E105T4N12-X-A</a>	NO	ED4	\$ 14,120	V3
	125	142	<a href="#">HVW701E142T4N12-X-A</a>	NO	ED4	\$ 15,850	V3
	150	180	<a href="#">HVW701E180T4N12-X-A</a>	NO	ED4	\$ 21,075	V3
	175	211	<a href="#">HVW701E211T4N12-X-A</a>	NO	ED4	\$ 24,330	V3

**Notes:**

- The VFD panel is wired for 3/208Vac input voltage as a standard. It can be re-configured for 3/230VAC line voltage by simply changing the primary connection of the control power transformer. (For 3/230Vac, please move wire "JT2" from Transformer primary TB # "H3" (208V) to "H2" (230V)).
- The "HP" ratings are based on "average FLA values" and on WEG W22, 4-Pole Motors. Use as a guide only.
- Maximum continuous VFD panel output current. The motor being used must have FLA less than or equal to this rating. The based CFW701 VFD is rated for Variable Torque (Quadratic Load), 110% overload / 60 sec, every ten (10) minutes.

# HVW701

## HVAC-R Drive Panel: Circuit Breaker Only with LonWorks Gateway, SCCR - 65KA.

Motor Voltage	Motor HP <sup>2</sup>	VFD Panel O/P Current <sup>3</sup>	New Catalog Number	Braking Transistor	Enclosure Frame Size	List Price	Multiplier	Old Catalog Number
<b>Input Power Supply: 3/208Vac <sup>1</sup> (For 3/230Vac, the control power transformer must be re-configured.)</b>								
3/208 Vac <sup>1</sup>	2	7	<a href="#">HVW701A007T2N01-X-B</a>	YES	HV1	\$ 4,385	V3	HVW701A007DN01000001
	3	10	<a href="#">HVW701A010T2N01-X-B</a>	YES	HV1	\$ 4,450	V3	HVW701A010DN01000001
	3	13	<a href="#">HVW701A013T2N01-X-B</a>	YES	HV1	\$ 4,495	V3	HVW701A013DN01000001
	5	16	<a href="#">HVW701A016T2N01-X-B</a>	YES	HV1	\$ 4,580	V3	HVW701A016DN01000001
	7.5	24	<a href="#">HVW701B024T2N01-X-B</a>	YES	HV1	\$ 4,915	V3	HVW701B024DN01000001
	10	28	<a href="#">HVW701B028T2N01-X-B</a>	YES	HV1	\$ 4,945	V3	HVW701B028DN01000001
	10	33.5	<a href="#">HVW701B033T2N01-X-B</a>	YES	HV1	\$ 5,160	V3	HVW701B033DN01000001
	15	45	<a href="#">HVW701C045T2N01-X-B</a>	YES	HV2	\$ 5,715	V3	HVW701C045DN01000001
	20	54	<a href="#">HVW701C054T2N01-X-B</a>	YES	HV2	\$ 6,460	V3	HVW701C054DN01000001
	20	60	<a href="#">HVW701C070T2N01-X-B</a>	YES	HV2	\$ 7,495	V3	-
	30	86	<a href="#">HVW701D086T2N12-X-B</a>	YES	ED3	\$ 8,600	V3	HVW701D086DN01000001
	40	105	<a href="#">HVW701D105T2N12-X-B</a>	YES	ED3	\$ 10,885	V3	HVW701D105DN01000001
	50	142	<a href="#">HVW701E142T2N12-X-B</a>	NO	ED4	\$ 13,920	V3	HVW701E142DN01000001
	60	180	<a href="#">HVW701E180T2N12-X-B</a>	NO	ED4	\$ 15,635	V3	HVW701E180DN01000001
75	211	<a href="#">HVW701E211T2N12-X-B</a>	NO	ED4	\$ 22,345	V3	HVW701E211DN01000001	
<b>Input Power Supply: 3/460Vac</b>								
3/460 Vac	3	5	<a href="#">HVW701A005T4N01-X-B</a>	YES	HV1	\$ 4,945	V3	HVW701A005GN01000001
	7.5	10	<a href="#">HVW701A010T4N01-X-B</a>	YES	HV1	\$ 5,015	V3	HVW701A010GN01000001
	10	13.5	<a href="#">HVW701A013T4N01-X-B</a>	YES	HV1	\$ 5,070	V3	HVW701A013GN01000001
	10	17	<a href="#">HVW701B017T4N01-X-B</a>	YES	HV1	\$ 5,290	V3	HVW701B017GN01000001
	15	24	<a href="#">HVW701B024T4N01-X-B</a>	YES	HV1	\$ 5,645	V3	HVW701B024GN01000001
	25	31	<a href="#">HVW701B031T4N01-X-B</a>	YES	HV1	\$ 6,105	V3	HVW701B031GN01000001
	30	38	<a href="#">HVW701C038T4N01-X-B</a>	YES	HV2	\$ 6,870	V3	HVW701C038GN01000001
	30	45	<a href="#">HVW701C045T4N01-X-B</a>	YES	HV2	\$ 7,355	V3	HVW701C045GN01000001
	40	58.5	<a href="#">HVW701C058T4N01-X-B</a>	YES	HV2	\$ 8,000	V3	HVW701C058GN01000001
	60	70.5	<a href="#">HVW701D070T4N12-X-B</a>	YES	ED3	\$ 9,580	V3	HVW701D070GN01000001
	75	88	<a href="#">HVW701D088T4N12-X-B</a>	YES	ED3	\$ 12,090	V3	HVW701D088GN01000001
	75	105	<a href="#">HVW701E105T4N12-X-B</a>	NO	ED4	\$ 15,070	V3	HVW701E105GN01000001
	125	142	<a href="#">HVW701E142T4N12-X-B</a>	NO	ED4	\$ 16,800	V3	HVW701E142GN01000001
	150	180	<a href="#">HVW701E180T4N12-X-B</a>	NO	ED4	\$ 22,025	V3	HVW701E180GN01000001
175	211	<a href="#">HVW701E211T4N12-X-B</a>	NO	ED4	\$ 25,280	V3	HVW701E211GN01000001	

**Notes:**

- The VFD panel is wired for 3/208Vac input voltage as a standard. It can be re-configured for 3/230VAC line voltage by simply changing the primary connection of the control power transformer. (For 3/230Vac, please move wire "JT2" from Transformer primary TB # "H3" (208V) to "H2" (230V)).
- The "HP" ratings are based on "average FLA values" and on WEG W22, 4-Pole Motors. Use as a guide only.
- Maximum continuous VFD panel output current. The motor being used must have FLA less than or equal to this rating. The based CFW701 VFD is rated for Variable Torque (Quadratic Load), 110% overload / 60 sec, every ten (10) minutes.



# HVW701

## HVAC-R Drive Panel: Circuit Breaker Only with Relay O/P Module and with LonWorks Gateway, SCCR - 65KA.

Motor Voltage	Motor HP <sup>2</sup>	VFD Panel O/P Current <sup>3</sup>	New Catalog Number	Braking Transistor	Enclosure Frame Size	List Price	Multiplier
3/208 Vac <sup>1</sup>	<b>Input Power Supply: 3/208Vac<sup>1</sup> (For 3/230VAC, the control power transformer must be re-configured.)</b>						
	2	7	<a href="#">HVW701A007T2N01-X-C</a>	YES	HV1	\$ 4,530	V3
	3	10	<a href="#">HVW701A010T2N01-X-C</a>	YES	HV1	\$ 4,595	V3
	3	13	<a href="#">HVW701A013T2N01-X-C</a>	YES	HV1	\$ 4,640	V3
	5	16	<a href="#">HVW701A016T2N01-X-C</a>	YES	HV1	\$ 4,725	V3
	7.5	24	<a href="#">HVW701B024T2N01-X-C</a>	YES	HV1	\$ 5,060	V3
	10	28	<a href="#">HVW701B028T2N01-X-C</a>	YES	HV1	\$ 5,090	V3
	10	33.5	<a href="#">HVW701B033T2N01-X-C</a>	YES	HV1	\$ 5,305	V3
	15	45	<a href="#">HVW701C045T2N01-X-C</a>	YES	HV2	\$ 5,860	V3
	20	54	<a href="#">HVW701C054T2N01-X-C</a>	YES	HV2	\$ 6,605	V3
	20	60	<a href="#">HVW701C070T2N01-X-C</a>	YES	HV2	\$ 7,640	V3
	30	86	<a href="#">HVW701D086T2N12-X-C</a>	YES	ED3	\$ 8,745	V3
	40	105	<a href="#">HVW701D105T2N12-X-C</a>	YES	ED3	\$ 11,030	V3
	50	142	<a href="#">HVW701E142T2N12-X-C</a>	NO	ED4	\$ 14,065	V3
	60	180	<a href="#">HVW701E180T2N12-X-C</a>	NO	ED4	\$ 15,780	V3
75	211	<a href="#">HVW701E211T2N12-X-C</a>	NO	ED4	\$ 22,490	V3	
3/460 Vac	<b>Input Power Supply: 3/460Vac</b>						
	3	5	<a href="#">HVW701A005T4N01-X-C</a>	YES	HV1	\$ 5,090	V3
	7.5	10	<a href="#">HVW701A010T4N01-X-C</a>	YES	HV1	\$ 5,160	V3
	10	13.5	<a href="#">HVW701A013T4N01-X-C</a>	YES	HV1	\$ 5,215	V3
	10	17	<a href="#">HVW701B017T4N01-X-C</a>	YES	HV1	\$ 5,435	V3
	15	24	<a href="#">HVW701B024T4N01-X-C</a>	YES	HV1	\$ 5,790	V3
	25	31	<a href="#">HVW701B031T4N01-X-C</a>	YES	HV1	\$ 6,250	V3
	30	38	<a href="#">HVW701C038T4N01-X-C</a>	YES	HV2	\$ 7,015	V3
	30	45	<a href="#">HVW701C045T4N01-X-C</a>	YES	HV2	\$ 7,500	V3
	40	58.5	<a href="#">HVW701C058T4N01-X-C</a>	YES	HV2	\$ 8,145	V3
	60	70.5	<a href="#">HVW701D070T4N12-X-C</a>	YES	ED3	\$ 9,725	V3
	75	88	<a href="#">HVW701D088T4N12-X-C</a>	YES	ED3	\$ 12,235	V3
	75	105	<a href="#">HVW701E105T4N12-X-C</a>	NO	ED4	\$ 15,215	V3
	125	142	<a href="#">HVW701E142T4N12-X-C</a>	NO	ED4	\$ 16,945	V3
	150	180	<a href="#">HVW701E180T4N12-X-C</a>	NO	ED4	\$ 22,170	V3
175	211	<a href="#">HVW701E211T4N12-X-C</a>	NO	ED4	\$ 25,425	V3	

**Notes:**

1. The VFD panel is wired for 3/208Vac input voltage as a standard. It can be re-configured for 3/230VAC line voltage by simply changing the primary connection of the control power transformer. (For 3/230Vac, please move wire "JT2" from Transformer primary TB # "H3" (208V) to "H2" (230V)).
2. The "HP" ratings are based on "average FLA values" and on WEG W22, 4-Pole Motors. Use as a guide only.
3. Maximum continuous VFD panel output current. The motor being used must have FLA less than or equal to this rating. The based CFW701 VFD is rated for Variable Torque (Quadratic Load), 110% overload / 60 sec, every ten (10) minutes.



# HVW701

## HVAC-R Drive Panel: 3-Contactor Bypass, SCCR - 65KA.

Motor Volt.	Motor HP <sup>2</sup>	VFD Panel O/P Current <sup>3</sup>	Byp. O/L Range in Amp <sup>4</sup>	New Catalog Number	Brake Trans.	Encl. Frame Size	List Price	Multiplier	Old Catalog Number
<b>Input Power Supply: 3/208Vac <sup>1</sup> (For 3/230VAC, the control power transformer tap must be changed)</b>									
3/208 Vac <sup>1</sup>	2	7	5.6-8	HVW701A007T2N01-J-X	YES	HV1	\$ 3,985	V3	HVW701A007DN01300000
	3	10	8-12.5	HVW701A010T2N01-J-X	YES	HV1	\$ 4,140	V3	HVW701A010DN01300000
	3	13	10-15	HVW701A013T2N01-J-X	YES	HV1	\$ 4,195	V3	HVW701A013DN01300000
	5	16	15-23	HVW701A016T2N01-J-X	YES	HV1	\$ 4,330	V3	HVW701A016DN01300000
	7.5	24	22-32	HVW701B024T2N01-J-X	YES	HV1	\$ 4,835	V3	HVW701B024DN01300000
	10	28	22-32	HVW701B028T2N01-J-X	YES	HV1	\$ 4,865	V3	HVW701B028DN01300000
	10	33.5	25-40	HVW701B033T2N01-J-X	YES	HV1	\$ 5,095	V3	HVW701B033DN01300000
	15	45	40-57	HVW701C045T2N01-J-X	YES	HV2	\$ 6,000	V3	HVW701C045DN01300000
	20	54	50-63	HVW701C054T2N01-J-X	YES	HV2	\$ 7,030	V3	HVW701C054DN01300000
	20	60	57-70	HVW701C070T2N01-J-X	YES	HV2	\$ 8,075	V3	-
	30	86	50-250	HVW701D086T2N12-J-X	YES	ED3	\$ 9,470	V3	HVW701D086DN01300000
	40	105	50-250	HVW701D105T2N12-J-X	YES	ED3	\$ 11,905	V3	HVW701D105DN01300000
	50	142	50-250	HVW701E142T2N12-J-X	NO	ED5	\$ 14,925	V3	HVW701E142DN01300000
	60	180	50-250	HVW701E180T2N12-J-X	NO	ED5	\$ 18,355	V3	HVW701E180DN01300000
75	211	50-250	HVW701E211T2N12-J-X	NO	ED5	\$ 25,020	V3	HVW701E211DN01300000	
<b>Input Power Supply: 3/460Vac</b>									
3/460 Vac	3	5	4-6.3	HVW701A005T4N01-J-X	YES	HV1	\$ 4,305	V3	HVW701A005GN01300000
	7.5	10	8- 12.5	HVW701A010T4N01-J-X	YES	HV1	\$ 4,390	V3	HVW701A010GN01300000
	10	13.5	11-17	HVW701A013T4N01-J-X	YES	HV1	\$ 4,455	V3	HVW701A013GN01300000
	10	17	15-23	HVW701B017T4N01-J-X	YES	HV1	\$ 4,695	V3	HVW701B017GN01300000
	15	24	22-32	HVW701B024T4N01-J-X	YES	HV1	\$ 5,175	V3	HVW701B024GN01300000
	25	31	25-40	HVW701B031T4N01-J-X	YES	HV1	\$ 5,670	V3	HVW701B031GN01300000
	30	38	32-50	HVW701C038T4N01-J-X	YES	HV2	\$ 6,410	V3	HVW701C038GN01300000
	30	45	40-57	HVW701C045T4N01-J-X	YES	HV2	\$ 7,130	V3	HVW701C045GN01300000
	40	58.5	57-70	HVW701C058T4N01-J-X	YES	HV2	\$ 7,835	V3	HVW701C058GN01300000
	60	70.5	50-250	HVW701D070T4N12-J-X	YES	ED3	\$ 9,680	V3	HVW701D070GN01300000
	75	88	50-250	HVW701D088T4N12-J-X	YES	ED3	\$ 12,185	V3	HVW701D088GN01300000
	75	105	50-250	HVW701E105T4N12-J-X	NO	ED5	\$ 15,815	V3	HVW701E105GN01300000
	125	142	50-250	HVW701E142T4N12-J-X	NO	ED5	\$ 17,765	V3	HVW701E142GN01300000
	150	180	50-250	HVW701E180T4N12-J-X	NO	ED5	\$ 24,615	V3	HVW701E180GN01300000
175	211	50-250	HVW701E211T4N12-J-X	NO	ED5	\$ 27,985	V3	HVW701E211GN01300000	

- Notes:
- The VFD panel is wired for 3/208Vac input voltage as a standard. It can be re-configured for 3/230VAC line voltage by simply changing the primary connection of the control power transformer.
  - The "HP" ratings are based on "average FLA values" and on WEG W22, 4-Pole Motors. Use as a guide only.
  - Maximum continuous VFD panel output current. The motor being used must have FLA less than or equal to this rating. The based CFW701 VFD is rated for Variable Torque (Quadratic Load), 110% overload / 60 sec, every ten (10) minutes.
  - Current Range for the ATL bypass starter overload Relay.

# HVW701

## HVAC-R Drive Panel: 3-Contactor Bypass with Relay O/P Module, SCCR - 65KA.

Motor Volt.	Motor HP <sup>2</sup>	VFD Panel O/P Current <sup>3</sup>	By. O/L Range in Amp <sup>4</sup>	New Catalog Number	Brake Trans.	Encl. Frame Size	List Price	Multiplier
<b>Input Power Supply: 3/208Vac <sup>1</sup> (For 3/230VAC, the control power transformer tap must be changed)</b>								
<b>3/208 Vac <sup>1</sup></b>	2	7	5.6-8	<a href="#">HVW701A007T2N01-J-A</a>	YES	HV1	\$ 4,130	V3
	3	10	8-12.5	<a href="#">HVW701A010T2N01-J-A</a>	YES	HV1	\$ 4,285	V3
	3	13	10-15	<a href="#">HVW701A013T2N01-J-A</a>	YES	HV1	\$ 4,340	V3
	5	16	15-23	<a href="#">HVW701A016T2N01-J-A</a>	YES	HV1	\$ 4,475	V3
	7.5	24	22-32	<a href="#">HVW701B024T2N01-J-A</a>	YES	HV1	\$ 4,980	V3
	10	28	22-32	<a href="#">HVW701B028T2N01-J-A</a>	YES	HV1	\$ 5,010	V3
	10	33.5	25-40	<a href="#">HVW701B033T2N01-J-A</a>	YES	HV1	\$ 5,240	V3
	15	45	40-57	<a href="#">HVW701C045T2N01-J-A</a>	YES	HV2	\$ 6,145	V3
	20	54	50-63	<a href="#">HVW701C054T2N01-J-A</a>	YES	HV2	\$ 7,175	V3
	20	60	57-70	<a href="#">HVW701C070T2N01-J-A</a>	YES	HV2	\$ 8,220	V3
	30	86	50-250	<a href="#">HVW701D086T2N12-J-A</a>	YES	ED3	\$ 9,615	V3
	40	105	50-250	<a href="#">HVW701D105T2N12-J-A</a>	YES	ED3	\$ 12,050	V3
	50	142	50-250	<a href="#">HVW701E142T2N12-J-A</a>	NO	ED5	\$ 15,070	V3
	60	180	50-250	<a href="#">HVW701E180T2N12-J-A</a>	NO	ED5	\$ 18,500	V3
75	211	50-250	<a href="#">HVW701E211T2N12-J-A</a>	NO	ED5	\$ 25,165	V3	
<b>Input Power Supply: 3/460Vac</b>								
<b>3/460 Vac</b>	3	5	4-6.3	<a href="#">HVW701A005T4N01-J-A</a>	YES	HV1	\$ 4,450	V3
	7.5	10	8- 12.5	<a href="#">HVW701A010T4N01-J-A</a>	YES	HV1	\$ 4,535	V3
	10	13.5	11-17	<a href="#">HVW701A013T4N01-J-A</a>	YES	HV1	\$ 4,600	V3
	10	17	15-23	<a href="#">HVW701B017T4N01-J-A</a>	YES	HV1	\$ 4,840	V3
	15	24	22-32	<a href="#">HVW701B024T4N01-J-A</a>	YES	HV1	\$ 5,320	V3
	25	31	25-40	<a href="#">HVW701B031T4N01-J-A</a>	YES	HV1	\$ 5,815	V3
	30	38	32-50	<a href="#">HVW701C038T4N01-J-A</a>	YES	HV2	\$ 6,555	V3
	30	45	40-57	<a href="#">HVW701C045T4N01-J-A</a>	YES	HV2	\$ 7,275	V3
	40	58.5	57-70	<a href="#">HVW701C058T4N01-J-A</a>	YES	HV2	\$ 7,980	V3
	60	70.5	50-250	<a href="#">HVW701D070T4N12-J-A</a>	YES	ED3	\$ 9,825	V3
	75	88	50-250	<a href="#">HVW701D088T4N12-J-A</a>	YES	ED3	\$ 12,330	V3
	75	105	50-250	<a href="#">HVW701E105T4N12-J-A</a>	NO	ED5	\$ 15,960	V3
	125	142	50-250	<a href="#">HVW701E142T4N12-J-A</a>	NO	ED5	\$ 17,910	V3
	150	180	50-250	<a href="#">HVW701E180T4N12-J-A</a>	NO	ED5	\$ 24,760	V3
175	211	50-250	<a href="#">HVW701E211T4N12-J-A</a>	NO	ED5	\$ 28,130	V3	

**Notes:**

1. The VFD panel is wired for 3/208Vac input voltage as a standard. It can be re-configured for 3/230VAC line voltage by simply changing the primary connection of the control power transformer.
2. The "HP" ratings are based on "average FLA values" and on WEG W22, 4-Pole Motors. Use as a guide only.
3. Maximum continuous VFD panel output current. The motor being used must have FLA less than or equal to this rating. The based CFW701 VFD is rated for Variable Torque (Quadratic Load), 110% overload / 60 sec, every ten (10) minutes.
4. Current Range for the ATL bypass starter overload Relay.



# HVW701

## HVAC-R Drive Panel: 3-Contactor Bypass with LonWorks Gateway, SCCR - 65KA.

Motor Volt.	Motor HP <sup>2</sup>	VFD Panel O/P Current <sup>3</sup>	Byp. O/L Range in Amp <sup>4</sup>	New Catalog Number	Brake Trans.	Encl. Frame Size	List Price	Multiplier	Old Catalog Number
<b>Input Power Supply: 3/208VAC<sup>1</sup> (For 3/230VAC, the control power transformer tap must be changed)</b>									
3/208 Vac <sup>1</sup>	2	7	5.6-8	<a href="#">HVW701A007T2N01-J-B</a>	YES	HV1	\$ 5,080	V3	HVW701A007DN01300001
	3	10	8-12.5	<a href="#">HVW701A010T2N01-J-B</a>	YES	HV1	\$ 5,235	V3	HVW701A010DN01300001
	3	13	10-15	<a href="#">HVW701A013T2N01-J-B</a>	YES	HV1	\$ 5,290	V3	HVW701A013DN01300001
	5	16	15-23	<a href="#">HVW701A016T2N01-J-B</a>	YES	HV1	\$ 5,425	V3	HVW701A016DN01300001
	7.5	24	22-32	<a href="#">HVW701B024T2N01-J-B</a>	YES	HV1	\$ 5,930	V3	HVW701B024DN01300001
	10	28	22-32	<a href="#">HVW701B028T2N01-J-B</a>	YES	HV1	\$ 5,960	V3	HVW701B028DN01300001
	10	33.5	25-40	<a href="#">HVW701B033T2N01-J-B</a>	YES	HV1	\$ 6,190	V3	HVW701B033DN01300001
	15	45	40-57	<a href="#">HVW701C045T2N01-J-B</a>	YES	HV2	\$ 7,095	V3	HVW701C045DN01300001
	20	54	50-63	<a href="#">HVW701C054T2N01-J-B</a>	YES	HV2	\$ 8,125	V3	HVW701C054DN01300001
	20	60	57-70	<a href="#">HVW701C070T2N01-J-B</a>	YES	HV2	\$ 9,170	V3	-
	30	86	50-250	<a href="#">HVW701D086T2N12-J-B</a>	YES	ED3	\$ 10,565	V3	HVW701D086DN01300001
	40	105	50-250	<a href="#">HVW701D105T2N12-J-B</a>	YES	ED3	\$ 13,000	V3	HVW701D105DN01300001
	50	142	50-250	<a href="#">HVW701E142T2N12-J-B</a>	NO	ED5	\$ 16,020	V3	HVW701E142DN01300001
	60	180	50-250	<a href="#">HVW701E180T2N12-J-B</a>	NO	ED5	\$ 19,450	V3	HVW701E180DN01300001
	75	211	50-250	<a href="#">HVW701E211T2N12-J-B</a>	NO	ED5	\$ 26,115	V3	HVW701E211DN01300001
<b>Input Power Supply: 3/460VAC</b>									
3/460 Vac	3	5	4-6.30	<a href="#">HVW701A005T4N01-J-B</a>	YES	HV1	\$ 5,400	V3	HVW701A005GN01300001
	7.5	10	8-12.5	<a href="#">HVW701A010T4N01-J-B</a>	YES	HV1	\$ 5,485	V3	HVW701A010GN01300001
	10	13.5	11-17	<a href="#">HVW701A013T4N01-J-B</a>	YES	HV1	\$ 5,550	V3	HVW701A013GN01300001
	10	17	15-23	<a href="#">HVW701B017T4N01-J-B</a>	YES	HV1	\$ 5,790	V3	HVW701B017GN01300001
	15	24	22-32	<a href="#">HVW701B024T4N01-J-B</a>	YES	HV1	\$ 6,270	V3	HVW701B024GN01300001
	25	31	25-40	<a href="#">HVW701B031T4N01-J-B</a>	YES	HV1	\$ 6,765	V3	HVW701B031GN01300001
	30	38	32-50	<a href="#">HVW701C038T4N01-J-B</a>	YES	HV2	\$ 7,505	V3	HVW701C038GN01300001
	30	45	40-57	<a href="#">HVW701C045T4N01-J-B</a>	YES	HV2	\$ 8,225	V3	HVW701C045GN01300001
	40	58.5	57-70	<a href="#">HVW701C058T4N01-J-B</a>	YES	HV2	\$ 8,930	V3	HVW701C058GN01300001
	60	70.5	50-250	<a href="#">HVW701D070T4N12-J-B</a>	YES	ED3	\$ 10,775	V3	HVW701D070GN01300001
	75	88	50-250	<a href="#">HVW701D088T4N12-J-B</a>	YES	ED3	\$ 13,280	V3	HVW701D088GN01300001
	75	105	50-250	<a href="#">HVW701E105T4N12-J-B</a>	NO	ED5	\$ 16,910	V3	HVW701E105GN01300001
	125	142	50-250	<a href="#">HVW701E142T4N12-J-B</a>	NO	ED5	\$ 18,860	V3	HVW701E142GN01300001
	150	180	50-250	<a href="#">HVW701E180T4N12-J-B</a>	NO	ED5	\$ 25,710	V3	HVW701E180GN01300001
	175	211	50-250	<a href="#">HVW701E211T4N12-J-B</a>	NO	ED5	\$ 29,080	V3	HVW701E211GN01300001

**Notes:**

1. The VFD panel is wired for 3/208Vac input voltage as a standard. It can be re-configured for 3/230VAC line voltage by simply changing the primary connection of the control power transformer.
2. The "HP" ratings are based on "average FLA values" and on WEG W22, 4-Pole Motors. Use as a guide only.
3. Maximum continuous VFD panel output current. The motor being used must have FLA less than or equal to this rating. The based CFW701 VFD is rated for Variable Torque (Quadratic Load), 110% overload / 60 sec, every ten (10) minutes.
4. Current Range for the ATL bypass starter overload Relay.

# HVW701

## HVAC-R Drive Panel: 3-Contactor Bypass with Relay O/P Module and with LonWorks Gateway, SCCR - 65KA.

Motor Volt.	Motor HP <sup>2</sup>	VFD Panel O/P Current <sup>3</sup>	Byp. O/L Range in Amp <sup>4</sup>	New Catalog Number	Brake Trans.	Incl. Frame Size	List Price	Multiplier
<b>Input Power Supply: 3/208Vac<sup>1</sup> (For 3/230VAC, the control power transformer tap must be changed)</b>								
3/208 Vac <sup>1</sup>	2	7	5.6-8	<a href="#">HVW701A007T2N01-J-C</a>	YES	HV1	\$ 5,225	V3
	3	10	8-12.5	<a href="#">HVW701A010T2N01-J-C</a>	YES	HV1	\$ 5,380	V3
	3	13	10-15	<a href="#">HVW701A013T2N01-J-C</a>	YES	HV1	\$ 5,435	V3
	5	16	15-23	<a href="#">HVW701A016T2N01-J-C</a>	YES	HV1	\$ 5,570	V3
	7.5	24	22-32	<a href="#">HVW701B024T2N01-J-C</a>	YES	HV1	\$ 6,075	V3
	10	28	22-32	<a href="#">HVW701B028T2N01-J-C</a>	YES	HV1	\$ 6,105	V3
	10	33.5	25-40	<a href="#">HVW701B033T2N01-J-C</a>	YES	HV1	\$ 6,335	V3
	15	45	40-57	<a href="#">HVW701C045T2N01-J-C</a>	YES	HV2	\$ 7,240	V3
	20	54	50-63	<a href="#">HVW701C054T2N01-J-C</a>	YES	HV2	\$ 8,270	V3
	20	60	57-70	<a href="#">HVW701C070T2N01-J-C</a>	YES	HV2	\$ 9,315	V3
	30	86	50-250	<a href="#">HVW701D086T2N12-J-C</a>	YES	ED3	\$ 10,710	V3
	40	105	50-250	<a href="#">HVW701D105T2N12-J-C</a>	YES	ED3	\$ 13,145	V3
	50	142	50-250	<a href="#">HVW701E142T2N12-J-C</a>	NO	ED5	\$ 16,165	V3
	60	180	50-250	<a href="#">HVW701E180T2N12-J-C</a>	NO	ED5	\$ 19,595	V3
	75	211	50-250	<a href="#">HVW701E211T2N12-J-C</a>	NO	ED5	\$ 26,260	V3
<b>Input Power Supply: 3/460Vac</b>								
3/460 Vac	3	5	4-6.30	<a href="#">HVW701A005T4N01-J-C</a>	YES	HV1	\$ 5,545	V3
	7.5	10	8-12.5	<a href="#">HVW701A010T4N01-J-C</a>	YES	HV1	\$ 5,630	V3
	10	13.5	11-17	<a href="#">HVW701A013T4N01-J-C</a>	YES	HV1	\$ 5,695	V3
	10	17	15-23	<a href="#">HVW701B017T4N01-J-C</a>	YES	HV1	\$ 5,935	V3
	15	24	22-32	<a href="#">HVW701B024T4N01-J-C</a>	YES	HV1	\$ 6,415	V3
	25	31	25-40	<a href="#">HVW701B031T4N01-J-C</a>	YES	HV1	\$ 6,910	V3
	30	38	32-50	<a href="#">HVW701C038T4N01-J-C</a>	YES	HV2	\$ 7,650	V3
	30	45	40-57	<a href="#">HVW701C045T4N01-J-C</a>	YES	HV2	\$ 8,370	V3
	40	58.5	57-70	<a href="#">HVW701C058T4N01-J-C</a>	YES	HV2	\$ 9,075	V3
	60	70.5	50-250	<a href="#">HVW701D070T4N12-J-C</a>	YES	ED3	\$ 10,920	V3
	75	88	50-250	<a href="#">HVW701D088T4N12-J-C</a>	YES	ED3	\$ 13,425	V3
	75	105	50-250	<a href="#">HVW701E105T4N12-J-C</a>	NO	ED5	\$ 17,055	V3
	125	142	50-250	<a href="#">HVW701E142T4N12-J-C</a>	NO	ED5	\$ 19,005	V3
	150	180	50-250	<a href="#">HVW701E180T4N12-J-C</a>	NO	ED5	\$ 25,855	V3
	175	211	50-250	<a href="#">HVW701E211T4N12-J-C</a>	NO	ED5	\$ 29,225	V3

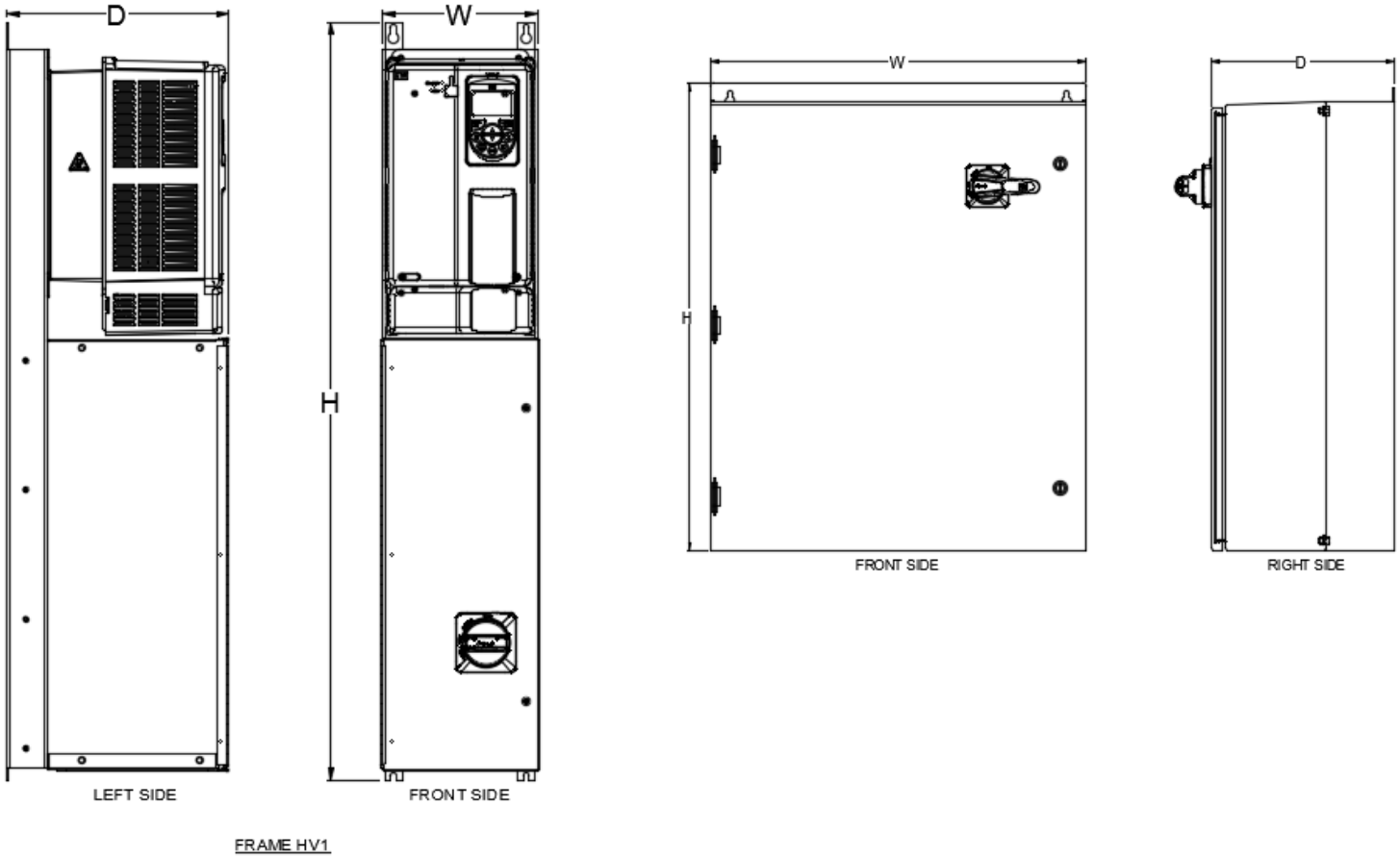
**Notes:**

1. The VFD panel is wired for 3/208Vac input voltage as a standard. It can be re-configured for 3/230VAC line voltage by simply changing the primary connection of the control power transformer.
2. The "HP" ratings are based on "average FLA values" and on WEG W22, 4-Pole Motors. Use as a guide only.
3. Maximum continuous VFD panel output current. The motor being used must have FLA less than or equal to this rating. The based CFW701 VFD is rated for Variable Torque (Quadratic Load), 110% overload / 60 sec, every ten (10) minutes.
4. Current Range for the ATL bypass starter overload Relay.

## HVW701 ENCLOSURE FRAME SIZE

### ENCLOSURE FRAME: HV1 & HV2

### ENCLOSURE FRAME: ED3 & ED4

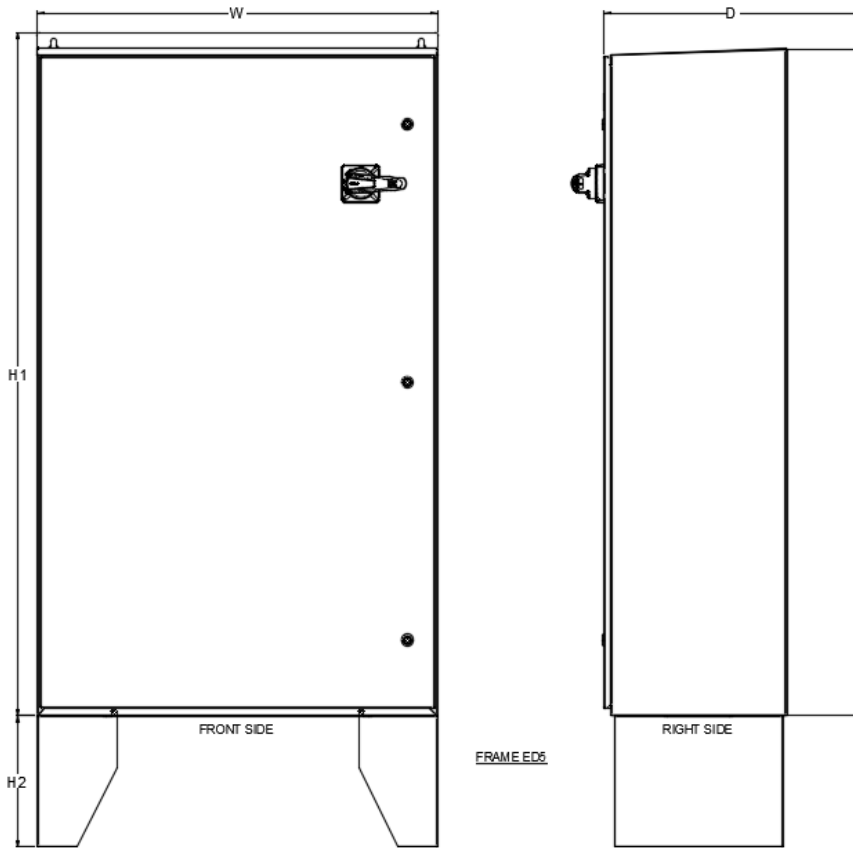


FRAME	OVERALL DIMENSIONS IN INCHES	ENCLOSURE ENVIRONMENTAL RATING	MAX. AMBIENT TEMP.	ENCLOSURE MOUNTING TYPE	APPROX. WEIGHT IN LBS.	
					W/O BYP.	WITH 3-CONT. BYP
HV1	36.3"H x 7.8"W x 11.1"D	NEMA1	50°C	VENTILATED, WALL MOUNT (VERTICAL STYLE)	82	100
HV2	44"H x 9"W x 13.5"D	NEMA1	50°C	VENTILATED, WALL MOUNT (VERTICAL STYLE)	130	145
ED3	36"H x 30"W x 14.6"D	NEMA12	45°C	NON-VENTILATED, WALL MOUNT (STANDARD)	240	255
ED4	48"H x 30"W x 18"D	NEMA12	40°C	NON-VENTILATED, WALL MOUNT (STANDARD)	300	-
ED5	72"H x 36"W x 23.6"D (Height : 60" + 12" floor stand kit)	NEMA12	40°C	NON-VENTILATED, FLOOR MOUNT (STANDARD)	-	375

**NOTE:** Dimensions and weights are for estimating purposes only. Only use "AS BUILT" drawings for construction.

# HVW701 ENCLOSURE FRAME SIZE

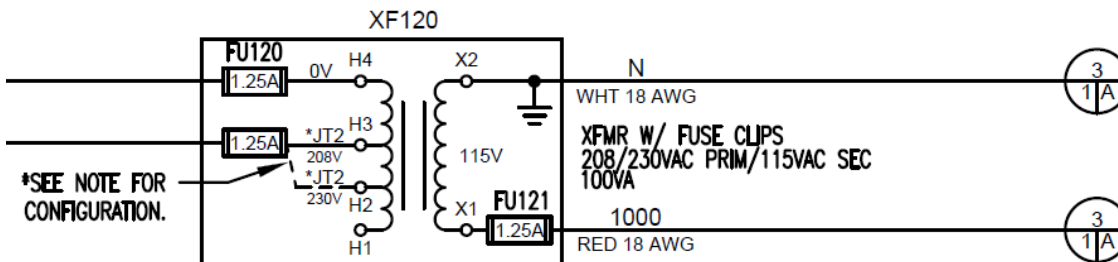
## ENCLOSURE FRAME: ED5



FRAME	OVERALL DIMENSIONS IN INCHES	ENCLOSURE ENVIRONMENTAL RATING	MAX. AMBIENT TEMP.	ENCLOSURE MOUNTING TYPE	APPROX. WEIGHT IN LBS.	
					W/O BYP.	WITH 3-CONT. BYP
ED5	72" x 36" x 23.6" (H = H1 + H2 = 60" + 12")	NEMA12	40°C	NON-VENTILATED, FLOOR MOUNT (STANDARD)	-	375

NOTE: Dimensions and weights are for estimating purposes only. Only use "AS BUILT" drawings for construction.

### Conversion from 3/208VAC to 3/230VAC Supply Voltage:



**\*NOTE: DEFAULT WIRING FOR 208V SUPPLY VOLTAGE. IF BEING INSTALLED WITH 220-240V SUPPLY VOLTAGE, CUSTOMER MUST MOVE CONDUCTOR JT2 FROM TRANSFORMER PIN H3 (208V) TO PIN H2 (230V).**



WEG Electric Corp. offers the following products, and more! With a full range of IEC/NEMA Global Certifications and a full line of products, WEG can supply the right solution for your needs anywhere in the world. To learn more about WEG's products and solutions or to locate a Distributor near you, please call 1-800-ASK-4WEG or visit www.weg.net.

**Low Voltage Motors,  
Single and 3-Phase, 1/8 – 700HP**

- General Purpose Motors
- Explosion Proof Motors
- Crusher Duty Motors
- IEC Tru-Metric Motors
- Pump Motors including JP/JM
- P-Base Pump Motors
- Oil Well Pumping Motors
- Pool & Spa Motors
- Brake Motors
- Compressor Duty Motors
- Farm Duty Motors
- Poultry Fan Motors
- Auger Drive Motors
- IEEE 841 Motors
- Stainless Steel Wash Down Motors
- Saw Arbor Motors
- Cooling Tower Motors
- Commercial HVAC Motors
- Pad Mounted Motors
- Vector Duty Motors

**Large Electric Motors**

- Low Voltage 3-phase motors up to 2,500HP
- Motors up to 70,000HP and 13,200V
- Wound Rotor Systems (including starters) up to 70,000HP and 13,200V
- Synchronous Motors up to 70,000HP and 13,200V
- Explosion proof motors (Ex-d) up to 1,500kW and 11kV
- Ex-n, Ex-e, Ex-p motors

**Variable Frequency Drives**

- Low Voltage 1/4 to 2500HP, 230V – 480V
- Medium Voltage 500-8000HP
- Multi-pump systems
- NEMA 4X
- Dynamic braking resistors
- Line and load reactors
- Plug and play technology
- Network communications: Profibus-DP, DeviceNet, Modbus-RTU
- PLC functions integrated
- Complete line of options and accessories

**Soft Starters**

- 3-1500HP
- Oriented start-up
- Built-in bypass contactor
- Universal source voltage (230-575V, 50/60Hz)
- Network communications: Profibus-DP, DeviceNet, Modbus-RTU
- Complete Line of options and accessories
- MV Soft-starter 3.3kV, 41.6kV: up to 3500HP, Withdrawable Power Stacks, & 8x PT100 Temperature monitoring

**Controls**

- Mini – Contactors
- IEC Contactors
- Thermal Overload Relays
- Manual Motor Protectors
- Molded Case Circuit Breakers
- Smart Relays
- Enclosed Starters: combination & non-combination,
- Pushbuttons & Pilot Lights
- Timing & Motor Protection Relays
- Terminal Blocks

**Custom Panels**

- Custom configured to your specification.
- NEMA 1, 12, 3R, 4 and 4X cabinets
- Quick delivery of preconfigured drives and soft starters
- UL 508 certified
- Low Voltage (230-460)
- Made in the U.S.A.

**Generators**

- Brushless Synchronous Generators for diesel gen-sets up to 4,200kVA
- Hydro-generators up to 25,000kVA
- Turbo-generators up to 62,500kVA

**Power Transformers**

- Built and engineered in North America
- Voltages < 500kV
- Ratings 5-300MVA
- Station class, oil filled, round core, copper windings
- Special configurations and designs available!
- Ask your WEG Sales Representative for details.
- Designed, built, and engineered to ANSI standards.

**Custom Solution Package Sales**

- WEG can package any of its products for ease of sale! Enjoy a single point of contact for the entire package of products and assistance from quote through after-sales support. Ask your WEG Sales Representative for details.

Please contact your authorized distributor:



WEG Electric Corp.  
 6655 Sugarloaf Parkway  
 Duluth, GA 30097  
 Phone: 1-800-ASK-4WEG  
[www.weg.net](http://www.weg.net)