

YASKAWA

YASKAWA AC Drive
High Performance Vector Control
A1000

200 V CLASS, 0.4 to 110 kW
400 V CLASS, 0.4 to 630 kW

A



The Answer

The Birth of Yaskawa's Ace Drive

Offering limitless possibilities...

A top quality drive: silent, beautiful, and incredibly powerful. Perfectly designed functions open a new field with A1000. A product only possible from Yaskawa, knowing everything there is to know about the world of drive technology to create the most efficient operation possible with an inverter drive. You just have to try it to know how easy it is to use. High level, Yaskawa quality. Integrating the latest vector control technology in a general-purpose drive with the performance of a higher order demanded by the drives industry.

A1000 is the answer to user needs, carrying on the Yaskawa traditions of absolute quality in this next generation product line.



The Answer is
A1000

Contents

Features	4
Features for Every Application	10
Product Lineup	14
Model Selection	15
Software Functions	16
Parameter List	18
Basic Instructions	24
Standard Specifications	26
Standard Connection Diagram	28
Dimensions	30
Fully-Enclosed Design and Drive Watts Loss Data	32
Peripheral Devices and Options	34
Application Notes	60
YASKAWA AC Drive Series	67
Warranty	68
Global Service Network	69

**The Drive for
a Greener World**

**Motor Drive Performance
Leading the Pack**

**Transforming the Application Installation
with Unparalleled Performance.**



A

Motor Drive Performance Leading the Pack

The Most Advanced Drive Technology

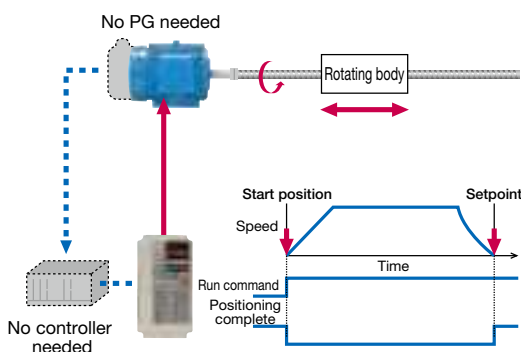
- ▲ **Capable of driving any kind of motor.**
A1000 runs not only induction motors, but also synchronous motors like IPM and SPM motors with high performance current vector control.
- ▲ **Minimize equipment needed for your business by using the same drive to run induction and synchronous motors.**
- ▲ **Switch easily between motor types with a single parameter setting.**

	Induction motor	Synchronous motor (SPM) EMR1 Series	Synchronous motor (IPM) Super Energy-Saving Motor
Features		<ul style="list-style-type: none"> Ultra-compact, ultra-light Energy saving, high efficiency High-performance control without a motor encoder 	<ul style="list-style-type: none"> Compact, light Energy saving, high efficiency High starting torque without an encoder. Positioning capability without an encoder.
Capacities		200 V: 0.4 to 7.5 kW	200 V: 0.4 to 75 kW 400 V: 0.4 to 300* kW

*: 160 kW without PG

Rotor Positioning without Motor Encoder

- ▲ **Use an IPM motor to perform position control without motor feedback.**
Electrical saliency in IPM motors makes it possible to detect speed, direction, and rotor position without the use of a motor encoder.
- ▲ **Precision positioning functionality without an upper controller.**
Visual programming in DriveWorksEZ lets the user easily create a customized position control sequence, without the use a motor encoder.



Note: The max. applicable motor capacity (kW) cited in this catalog indicates the capacity for the Heavy Duty (HD) rating.

Cutting-Edge Torque Characteristics

- ▲ **Powerful torque at 0 Hz, without a motor encoder***
Once out of reach for AC drives, Yaskawa now offers advanced control features without a motor encoder. Achieve even more powerful starting torque at zero speed with an IPM motor.
*: No speed sensors or pole sensors required.



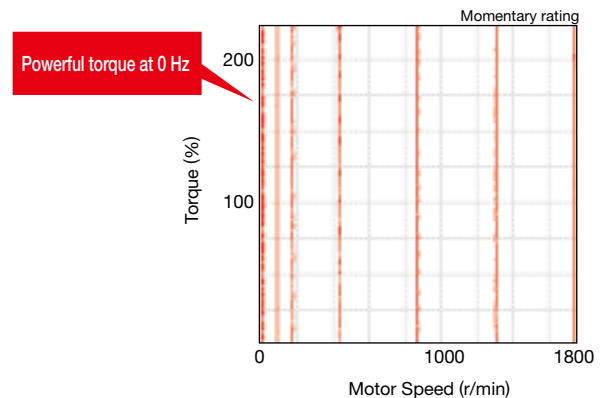
Synchronous Motor

- Advanced Open Loop Vector Control for PM
200% rated torque at 0 r/min*1, speed range of 1: 100*2
Note: Valid when high frequency injection is enabled (n8-57=1).
- Closed Loop Vector Control for PM
200% rated torque at 0 r/min*1, speed range of 1: 1500

- *1: To reach this value and the torque output shown in the graph, increase the drive and motor capacities.
- *2: Contact your Yaskawa or nearest agent when using PM motors except SSR1 series or SST4 series motors manufactured by Yaskawa Motor Co., Ltd.

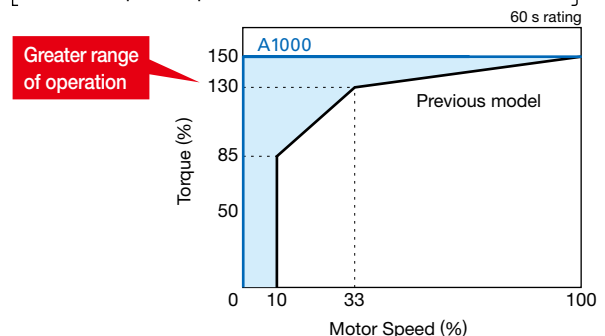
Torque characteristics

[Advanced Open Loop Vector Control for PM with an IPM motor]



Comparing the speed control range

[Advanced Open Loop Vector Control for PM with an IPM motor]



- ▲ **High-performance current vector control achieves powerful starting torque with an induction motor.**




Induction Motor


- Open Loop Vector Control
200% rated torque at 0.3 Hz*, speed range of 1:200
- Closed Loop Vector Control
200% rated torque at 0 r/min*, speed range of 1:1500

*: The capacity of the drive and motor must be considered to achieve this torque output.

Loaded with Auto-Tuning Features

- ▲ Auto-Tuning features optimize drive parameters for operation with induction motors as well as synchronous motors to achieve the highest performance levels possible.
- ▲ Perfects not only the drive and motor performance, but also automatically adjusts settings relative to the connected machinery.
 - A variety of ways to automatically optimize drive settings and performance

 Tuning the Motor	
Rotational Auto-Tuning	Applications requiring high starting torque, high speed, and high accuracy.
Stationary Auto-Tuning	Applications where the motor must remain connected to the load during the tuning process.
Line-to-Line Resistance Auto-Tuning	For re-tuning after the cable length between the motor and drive has changed, or when motor and drive capacity ratings differ.
Energy-Saving Auto-Tuning	For running the motor at top efficiency all the time.

 Tuning the Load	
Inertia Tuning	Optimizes the drive's ability to decelerate the load. Useful for applications using KEB and Feed Forward functions.
ASR* Gain Auto-Tuning	Automatically adjusts ASR gain to better match the frequency reference.

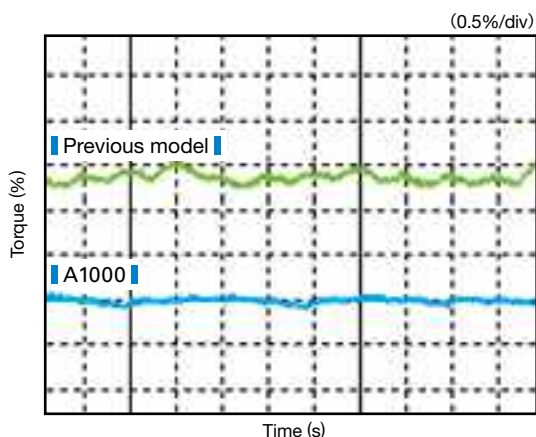
*: Automatic Speed Regulator

Note: This type of Auto-Tuning is available only for motors less than 450 kW using an encoder.

- ▲ Brand-new Auto-Tuning methods. A1000 continuously analyzes changes in motor characteristics during run for highly precise speed control.

Smooth Operation

- ▲ Smooth low speed operation thanks to even better torque ripple suppression.
 - Comparing torque ripple at zero speed (Closed Loop Vector)



Tackling Power Loss and Recovery

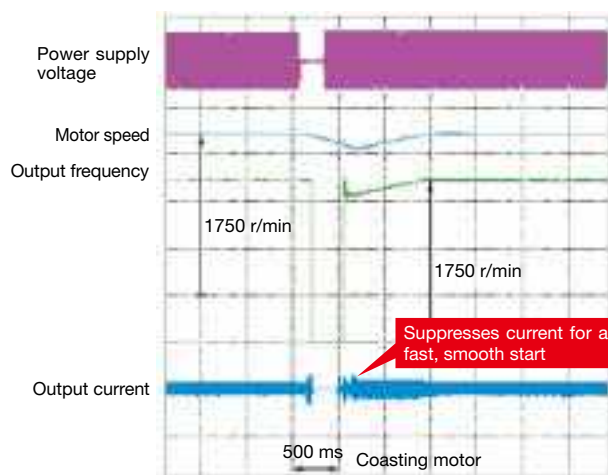
- ▲ A1000 offers two ways to handle momentary power loss.
- ▲ A1000 is capable of handling momentary power loss for induction motors as well as synchronous motors without the use of a motor encoder.

● Speed Search

Easily find the speed of a coasting motor for a smooth restart.

Applications

Perfect for fans, blowers, and other rotating, fluid-type applications.

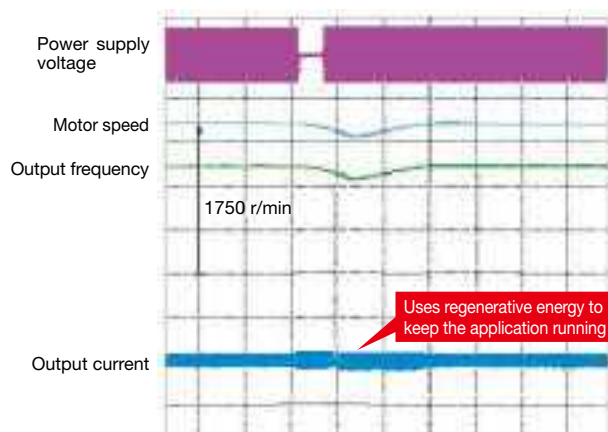


● KEB

Keep the motor running without allowing it to coast.

Applications

Highly recommended for film lines and other applications requiring continuous operation.



Note: Requires a separate sensor to detect power loss. The drive may trip depending on load conditions, and the motor coast to stop.

- ▲ Ride through power loss for up to 2 seconds.*

- Crucial for semi-conductor manufacturers
- No need to purchase a back-up power supply
- Detects, outputs an undervoltage signal during power loss

*: The Momentary Power Loss Recovery Unit option may be required depending on the capacity of the drive.



The Drive for a Greener World

Energy Saving

Next-Generation Energy Saving

▲ Loaded with the most advanced energy-saving control technology*
Energy Saving control makes highly efficient operation possible with an induction motor.

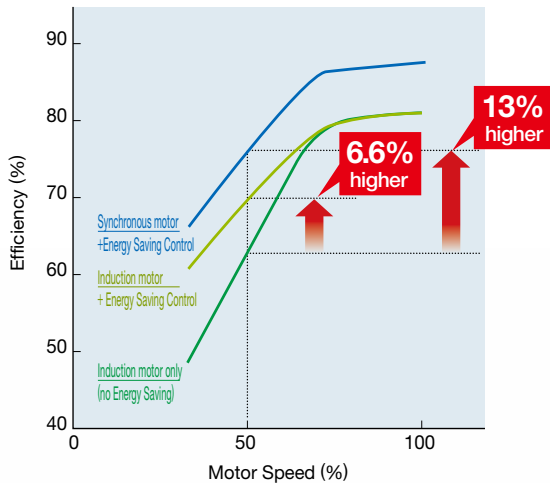
*: Available for models less than 450 kW.

▲ Amazing energy saving with a synchronous motor*
Combining the high efficiency of a synchronous motor along with A1000's Energy Saving control capabilities allows for unparalleled energy saving.

*: Available for models less than 450 kW.

● Efficiency using a motor drive

Example shows a 200 V 3.7 kW drive in a fan or pump application.



● Examples of energy saving with drives

Conditions

A : Induction motor + A1000

B : IPM motor + A1000

Annual energy savings for an HVAC fan application running 100 3.7 kW motors. Electric costs of 15 cents/kWh, operating 365 days/year

Annual Energy Savings

A : Induction motor + A1000

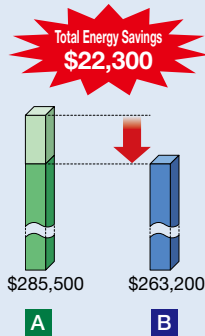
Power consumption: 1,903,100 kWh
Electrical costs: **\$285,500**

B : IPM motor + A1000

Power consumption: 1,754,600 kWh
Electrical costs: **\$263,200**

Annual savings on energy costs: (A) vs. (B)

Energy saved: 148,500 kWh
Electrical costs: **\$22,300**



Annual reduction in CO₂

148,500 kWh × 0.412 = **61.2 tons!**
Assumes 1 kWh of power consumed creates 0.412 kgCO₂/kWh of CO₂



Environmental Features

Protective Design

▲ A variety of protective designs are available to reinforce the drive against moisture, dust, oil mist, vibration, corrosive sulfur gas, conductive particles, and other harsh environments.

RoHS

▲ All standard products are fully compliant with the EU's RoHS directive.

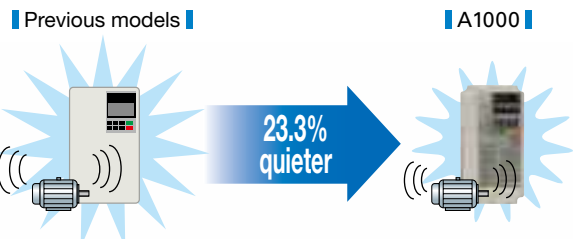
RoHS compliant

Noise Reduction

▲ A1000 uses Yaskawa's Swing PWM function* to suppress electromagnetic and audible motor noise, creating a more peaceful environment.

*: Available for models less than 450 kW.

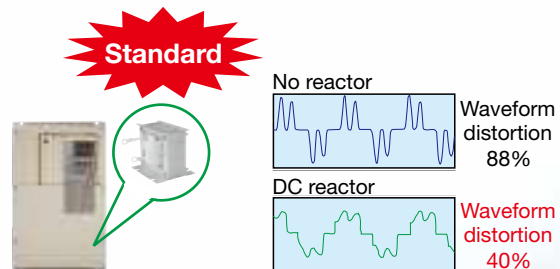
● Comparing our former product line with our new Swing PWM feature



Note: Calculated by comparing peak values during noise generation

Suppressing Power Supply Harmonics

▲ A DC reactor minimizes harmonic distortion, standard on drives 22 kW and above.



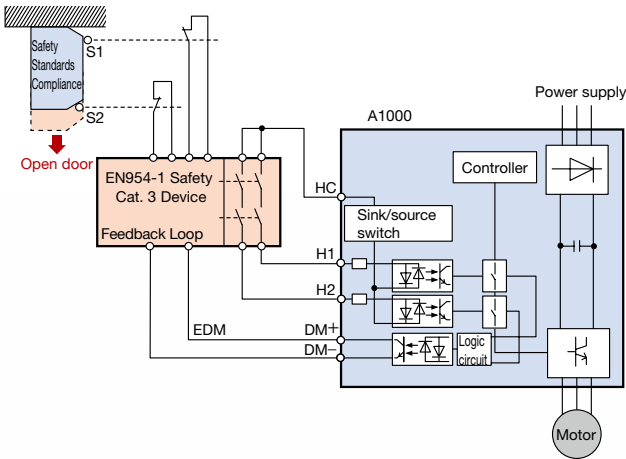
Safety

Safety Regulations

- ▲ The products comply with ISO/EN13849-1 Cat.3 PLd and IEC/EN61508 SIL2 (two safety inputs and one EDM output).
- ▲ An External Device Monitor (EDM) function has also been added to monitor the safety status of the drive.

● **Safe Disable example: Door switch circuit**

A1000 is equipped with 2 input terminals and a single output terminal for connecting a safe disable device.
 Input: Triggered when either terminal H1 or H2 opens.
 Output: EDM output monitors the safety status of the drive.



Controlled Stop Despite Power Loss

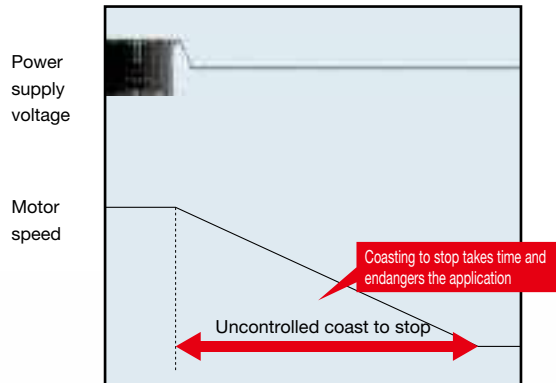
- ▲ Should a power outage occur, A1000 can bring the application to controlled stop quickly and safely using the KEB function.

● **Quickly ramp to stop with KEB function**

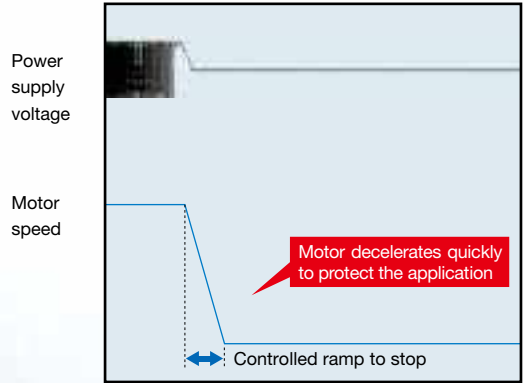
Applications

Perfect for spindle drive application and film production lines where stopping methods are crucial to the application to reduce production cost.

Previous model



A1000



The Answer is
A1000

A

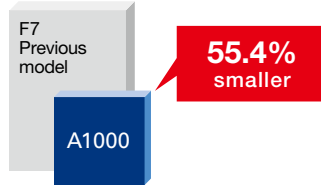
Transforming the Application Installation with Unparalleled Performance

Even More and More Compact

▲ Yaskawa continues to make applications even smaller by combining the world's smallest drive in its class with the light, efficient design of a synchronous motor.

● **Comparing drive dimensions**

Example: 400 V Class 75 kW



● **Comparing motor dimensions**

Example: 200 V 3.7 kW motor



▲ **Use Side-by-Side installation*** for an even more compact setup.

*: For models up to 18.5 kW.

▲ **Finless models*** also available.

*: For models 400 V class 22 to 75 kW.

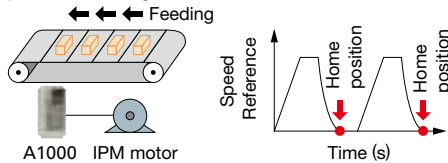
Customize Your Drive

▲ **DriveWorksEZ visual programming tool with all models**

Simply drag and drop icons to completely customize your drive. Create special sequences and detection functions, then load them onto the drive.

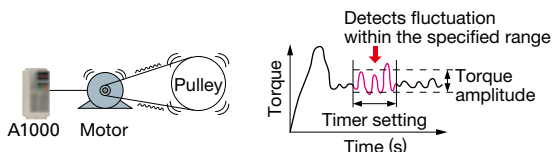
● **Program a customized sequence**

Example: Positioning control without a motor encoder



● **Create customized detection features**

Example: Machine weakening analysis using torque pulse detection



▲ **USB for connecting to a PC**

● **USB port lets the drive connect to a PC**

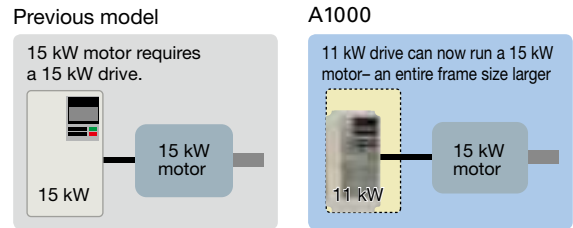


Note: Drives are also equipped with an RJ-45 comm. port that takes the existing WV103 cable used in Yaskawa's previous models. Simply remove the operator keypad for the RJ-45 connector.

▲ **Dual Rating allows for an even more compact setup**

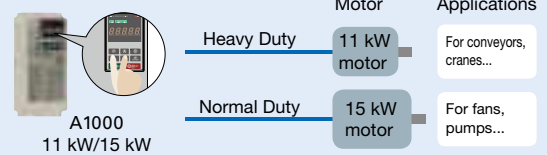
Each drive lets the user choose between Normal Duty or Heavy Duty operation. Depending on the application, A1000 can run a motor an entire frame size larger than our previous model.

● **Select the drive rating that best fits the application needs**



Dual Ratings in A1000

A single parameter lets the user set the drive for Normal Duty or Heavy Duty

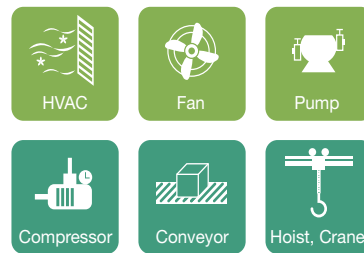


Note: Always select a drive with a current rating greater than the motor rated current.

Breeze-Easy Setup

▲ **Immediate setup with Application Presets**

A1000 automatically sets parameters needed for most major applications. Simply selecting the appropriate application instantly optimizes the drive for top performance, saving enormous time setting up for a trial run.



● **Example using Application Presets**

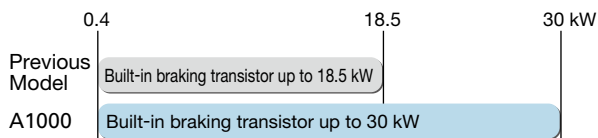
Selecting "Conveyor" optimizes five parameter settings so the drive is ready to start running your conveyor application immediately.



Setting	Application	
00	General-purpose	
01	Water Supply Pump	
02	Conveyor	Parameters are programmed automatically
03	Exhaust Fan	A1-02 Control mode selection
04	HVAC Fan	C1-01 Accel Time 1
05	Air Compressor	C1-02 Decel Time 1
06	Crane (Hoist)	C6-01 ND/HD Selection
07	Crane (Traverse)	

Variety of Braking Functions

- ▲ Overexcitation deceleration brings the motor to an immediate stop without the use of a braking resistor.
- ▲ All models up to 30 kW are equipped with a braking transistor for even more powerful braking options by just adding a braking resistor.



All Major Serial Network Protocols

- ▲ RS-422/485 (MEMOBUS/Modbus (RTU mode) Communications at 115.2 kbps) standard on all models.
- ▲ Option cards available for all major serial networks used across the globe: PROFIBUS-DP, DeviceNet, CC-Link, CANopen, LONWORKS, MECHATROLINK-II, MECHATROLINK-III, among others.
Note: Registered trademarks of those companies.

- ▲ Less wiring and space-saving features make for easy installation and maintenance.

Application-Specific Software

- ▲ Software for cranes, and for high-frequency output applications, are available.

Long Life Performance

Ten Years of Durable Performance

- ▲ Cooling fan, capacitors, relays, and IGBTs have been carefully selected and designed for a life expectancy up to ten years.*
*: Assumes the drive is running continuously for 24 hours a day at 80% load with an ambient temperature of 40°C with an IP00 open-chassis enclosure.

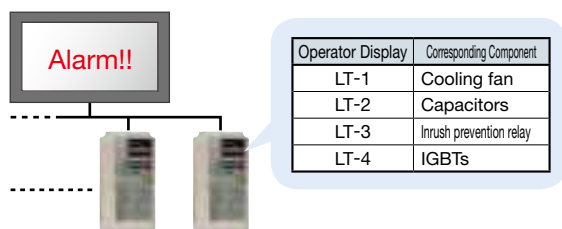
Motor Life

- ▲ Thanks to relatively low copper loss in the rotor and a cool shaft during operation, synchronous motors have a bearing life twice that of induction motors.

Performance Life Monitors

- ▲ Yaskawa's latest drive series is equipped with performance life monitors that notify the user of part wear and maintenance periods to prevent problems before they occur.

- Drive outputs a signal to the control device indicating components may need to be replaced



Easy Maintenance

The First Terminal Board with a Parameter Backup Function

- ▲ The terminal block's ability to save parameter setting data makes it a breeze to get the application back online in the event of a failure requiring drive replacement.

- A1000 Terminal Block

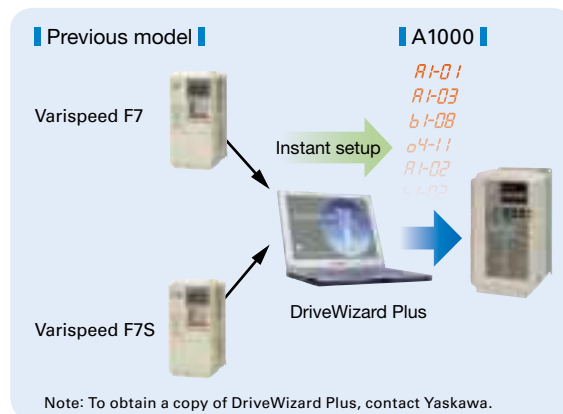


Parameter		
Name	Number	Setting
ND/HD Selection	C6-01	1
Control Mode Selection 1	A1-02	0
Frequency Reference Selection 1	b1-01	1
Run Command Selection 1	b1-02	1

Engineering Tool DriveWizard Plus

- ▲ Manage the unique settings for all your drives right on your PC.
- ▲ An indispensable tool for drive setup and maintenance. Edit parameters, access all monitors, create customized operation sequences, and observe drive performance with the oscilloscope function.
- ▲ The Drive Replacement feature in DriveWizard Plus saves valuable time during equipment replacement and application upgrades by converting previous Yaskawa product parameter values to the new A1000 parameters automatically.

- Drive Replacement Function



Parameter Copy Function

- ▲ All standard models are equipped with a Parameter Copy function using the keypad that allows parameter settings to be easily copied from the drive or uploaded for quick setup.
- ▲ A USB Copy Unit is also available as an even faster, more convenient way to back up settings and instantly program the drive.

Features for Every Application

A1000 is loaded with functions to match the particular needs of every application.



Cranes

Advantages

1 Application Presets

Selecting "Crane" from A1000's Application Presets automatically programs A1000 for optimal performance with a crane application. Save valuable set-up time and start running immediately.

2 Switch Between Motors

Use the same drive to control one motor for hoisting, another motor for traverse operation. Terminal inputs let the user set up a relay to switch back and forth between motors.

3 Powerful Starting Torque

Powerful torque at low speeds ensures the power needed for the application and prevents problems with slipping.

4 Safety Functions

The Safe Disable function comes standard for compliance with various safety regulations.

5 Visual Programming with DriveWorksEZ

Easily customize the drive using a PC.

6 Performance Life Diagnostic Features

A1000 notifies the user or controller when maintenance may be required for certain components such as the cooling fan or capacitors.

7 Terminal Block with Parameter Backup Function


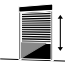
The terminal block can be transferred to a new drive keeping all terminal wiring intact, and built-in memory backs up all parameter settings. An incredible time saver when replacing a drive.

Functions

<small>NEW</small> Application Presets	Motor 2 Switch	<small>NEW</small> IM/PM Switch
Torque Limit	<small>NEW</small> Overexcitation Braking	<small>NEW</small> Drive WorksEZ
Current Vector Control	Speed Search	Zero Servo Function
<small>NEW</small> Maintenance Monitors	Accel/Decel Time Switch	Torque Detection
KEB Function		

NEW NEW Functions Indicates a new function in A1000

Applications

	
Hoist, Crane	Shutter Door



Fans and Pumps

Advantages

1 Application Presets

Selecting "Fan" or "Pump" from A1000's Application Presets automatically programs A1000 for optimal performance specific for those applications. Save valuable setup time and start running immediately.

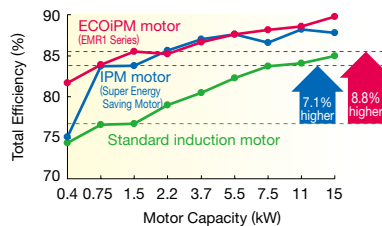
2 Compact Design

Yaskawa offers a compact solution for both drive and motor.

- Dual ratings
- Selecting Normal Duty makes it possible to use a smaller drive.
- Combine with a synchronous motor
- Run a synchronous motor instead of an induction motor for an even more compact installation.

3 Astounding Efficiency

Combine A1000 with a synchronous motor and save on energy costs.



4 Output Power Pulse Monitor

Pulse output feature can send a signal to the PLC to keep track of kilowatt hours. No extra power meter needed.

Note: Cannot legally be used as proof of power consumption.

5 Speed Search

Yaskawa's unique speed search functions easily carry the motor through momentary power loss. No back-up power supply needed to keep the entire application running smoothly.

6 24 V Control Power Supply Option

Lets the user monitor drive data from a PLC even when the power goes out.

7 Terminal Block with Parameter Backup Function

The terminal block can be transferred to a new drive keeping all terminal wiring intact, and built-in memory backs up all parameter settings. An incredible time saver when replacing a drive.

8 Performance Life Diagnostic Features

A1000 notifies the user or controller when maintenance may be required for certain components such as the cooling fan or capacitors.

9 Low Harmonic Distortion

DC reactor comes standard on all model above 22 kW to minimize harmonic distortion. This built-in feature saves installation space and wiring.

Functions

NEW Application Presets	NEW IM/PM Switch	Momentary Power Loss Ride-Thru
NEW Overexcitation Braking	NEW Watt-Hour Pulse Monitor	Frequency Reference Loss
Accel/Decel Time Switch	Energy Saving	Fault Restart
Speed Search	NEW Drive WorksEZ	Overvoltage Suppression
Frequency Jump	PID Control	NEW Carrier Frequency Reduction at Overload
Frequency Reference Hold	Torque Detection	NEW Maintenance Monitors

NEW Indicates a new function in A1000

Applications

		
HVAC	Fan	Pump

Features for Every Application

A1000 is loaded with functions to match the particular needs of every application.



Metal Working

Advantages

- 1 KEB Function**
 The KEB function can quickly decelerate the motor to stop in case of a power outage, rather than putting equipment at risk by simply allowing the motor to coast. Easy to program to match application needs.
- 2 Overvoltage Suppression**
 Particularly beneficial for die cushion and other press-type machinery, overvoltage suppression prevents faults and keeps the application running.
- 3 Visual Programming with DriveWorksEZ**
 Easily customize the drive using a PC.
- 4 Safety Functions**
 Safe Disable feature comes standard for compliance with various safety regulations.
- 5 Current Vector Control**
 Protect connected machinery by controlling torque directly through torque detection and torque limits offered by current vector control.
- 6 Performance Life Diagnostic Features**
 A1000 notifies the user or controller when maintenance may be required for certain components such as fan or capacitors.
- 7 Terminal Block with Parameter Backup Function**
 The terminal block can be transferred to a new drive keeping all terminal wiring intact, and built-in memory backs up all parameter settings. An incredible time saver when replacing a drive.

Functions

KEB Function	NEW Overexcitation Braking	Pulse Train Input
Fault Restart	Speed Search	Pulse Train Output
Overvoltage Suppression	Dwell Function	Torque Detection
NEW Carrier Frequency Reduction at Overload	Current Vector Control	Torque Limit
NEW Maintenance Monitors	NEW Drive WorksEZ	Zero Servo Function

NEW Functions Indicates a new function in A1000

Applications



Press



Machine Tool



Conveyor Systems

Advantages

1 Application Presets

Selecting "Conveyor" from A1000's Application Presets presets automatically programs A1000 for optimal performance specific for those applications. Save valuable setup time and start running immediately.

2 Safety Functions

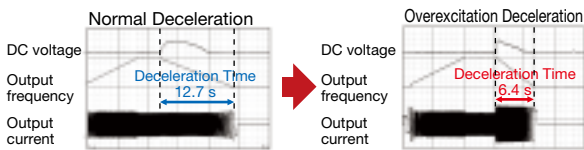
Safe Disable feature comes standard for compliance with various safety regulations.

3 Astounding Efficiency

Combine A1000 with a synchronous motor to save on energy costs. Save further but still maintain high performance by eliminating the motor encoder.

4 Overexcitation Braking

Bring the motor to an immediate stop without the use of a braking resistor (IM motors only).



Note: Varies in accordance with motor specifications and load.

5 Visual Programming with DriveWorksEZ

Easily customize the drive using a PC.

6 24 V Control Power Supply Option

Lets the user monitor drive data from a PLC even when the main power is removed.

7 Verify Menu

Quickly reference any settings that have been changed from their original default values.

Changed Value

Name	Parameter	Default	Set Value
Frequency Ref. Selection1	b1-01	1	0
Acceleration Time1	C1-01	10.00 s	15.00 s
Deceleration Time1	C1-02	10.00 s	15.00 s
⋮	⋮	⋮	⋮



8 Performance Life Diagnostic Features

A1000 notifies the user or controller when maintenance may be required for certain components such as fan or capacitors.

9 Low Harmonic Distortion

DC reactor comes standard on all model above 22 kW to minimize harmonic distortion. This built-in feature saves installation space and wiring.

Functions

NEW
Application Presets

NEW
Drive WorksEZ

Current Vector Control

NEW
Overexcitation Braking

PID Control

NEW
Torque Limit

Droop Control

Pulse Train Input

Zero Servo Function

NEW
IM/PM Switch

Pulse Train Output

Fault Restart

NEW
Online Tuning

Torque Detection

NEW
Maintenance Monitors

NEW Functions Indicates a new function in A1000

Applications



Conveyor

Product Lineup

Motor Capacity (kW)	Three-Phase 200 V				Three-Phase 400 V			
	Normal Duty		Heavy Duty		Normal Duty		Heavy Duty	
	Model	Rated Output	Model	Rated Output	Model	Rated Output	Model	Rated Output
0.4			CIMR-A□2A0004	3.2 A			CIMR-A□4A0002	1.8 A
0.75	CIMR-A□2A0004	3.5 A	CIMR-A□2A0006	5 A	CIMR-A□4A0002	2.1 A	CIMR-A□4A0004	3.4 A
1.1	CIMR-A□2A0006	6 A	CIMR-A□2A0008*	6.9 A				
1.5	CIMR-A□2A0008*	8 A	CIMR-A□2A0010	8 A	CIMR-A□4A0004	4.1 A	CIMR-A□4A0005	4.8 A
2.2	CIMR-A□2A0010	9.6 A	CIMR-A□2A0012	11 A	CIMR-A□4A0005	5.4 A	CIMR-A□4A0007	5.5 A
3.0	CIMR-A□2A0012	12 A	CIMR-A□2A0018*	14 A	CIMR-A□4A0007	6.9 A	CIMR-A□4A0009	7.2 A
3.7	CIMR-A□2A0018*	17.5 A	CIMR-A□2A0021	17.5 A	CIMR-A□4A0009	8.8 A	CIMR-A□4A0011	9.2 A
5.5	CIMR-A□2A0021	21 A	CIMR-A□2A0030	25 A	CIMR-A□4A0011	11.1 A	CIMR-A□4A0018	14.8 A
7.5	CIMR-A□2A0030	30 A	CIMR-A□2A0040	33 A	CIMR-A□4A0018	17.5 A	CIMR-A□4A0023	18 A
11	CIMR-A□2A0040	40 A	CIMR-A□2A0056	47 A	CIMR-A□4A0023	23 A	CIMR-A□4A0031	24 A
15	CIMR-A□2A0056	56 A	CIMR-A□2A0069	60 A	CIMR-A□4A0031	31 A	CIMR-A□4A0038	31 A
18.5	CIMR-A□2A0069	69 A	CIMR-A□2A0081	75 A	CIMR-A□4A0038	38 A	CIMR-A□4A0044	39 A
22	CIMR-A□2A0081	81 A	CIMR-A□2A0110	85 A	CIMR-A□4A0044	44 A	CIMR-A□4A0058	45 A
30	CIMR-A□2A0110	110 A	CIMR-A□2A0138	115 A	CIMR-A□4A0058	58 A	CIMR-A□4A0072	60 A
37	CIMR-A□2A0138	138 A	CIMR-A□2A0169	145 A	CIMR-A□4A0072	72 A	CIMR-A□4A0088	75 A
45	CIMR-A□2A0169	169 A	CIMR-A□2A0211	180 A	CIMR-A□4A0088	88 A	CIMR-A□4A0103	91 A
55	CIMR-A□2A0211	211 A	CIMR-A□2A0250	215 A	CIMR-A□4A0103	103 A	CIMR-A□4A0139	112 A
75	CIMR-A□2A0250	250 A	CIMR-A□2A0312	283 A	CIMR-A□4A0139	139 A	CIMR-A□4A0165	150 A
90	CIMR-A□2A0312	312 A	CIMR-A□2A0360	346 A	CIMR-A□4A0165	165 A	CIMR-A□4A0208	180 A
110	CIMR-A□2A0360	360 A	CIMR-A□2A0415	415 A	CIMR-A□4A0208	208 A	CIMR-A□4A0250	216 A
	CIMR-A□2A0415	415 A						
132					CIMR-A□4A0250	250 A	CIMR-A□4A0296	260 A
160					CIMR-A□4A0296	296 A	CIMR-A□4A0362	304 A
185					CIMR-A□4A0362	362 A	CIMR-A□4A0414	370 A
220					CIMR-A□4A0414	414 A	CIMR-A□4A0515	450 A
250					CIMR-A□4A0515	515 A		
315							CIMR-A□4A0675	605 A
355					CIMR-A□4A0675	675 A		
450							CIMR-A□4A0930	810 A
500					CIMR-A□4A0930	930 A		
560							CIMR-A□4A1200	1090A
630					CIMR-A□4A1200	1200 A		

Model Number Key

*: Available in Japan only

CIMR- A A 2 A 0004 F A A

AC Drive A1000 Series Design Revision Order

No.	Region Code	No.	Voltage Class	No.	Customized Specifications	No.	Output Current A	No.	Enclosure Type	No.	Environmental Specifications
T	Asia	2	3-phase, 200-240 Vac	A	Standard model			A	IP00	A	Standard
A	Japan	4	3-phase, 380-480 Vac		Note: Contact Yaskawa for information on software for cranes and for high-frequency output applications.		Note: Indicates the rated output current of the Normal Duty rating rounded off to the nearest whole number.	F*	UL Type 1	K	Gas
								J*	Finless (IP20)	M	Humidity, dust
								L	Finless (IP00)	N	Oil

Note: Contact a Yaskawa for more on environmental specifications.

*: Available only for models CIMR-A□4A0058 to 4A0165.
Note: Contact Yaskawa for information on Finless (IP00) Type enclosure drives.

Software Functions

Loaded with software functions just right for your application.



New A1000 software not available for the F7.

Note: Major functions listed below.

NEW

Application Presets

No need to struggle with difficult parameters and complex calculations. Parameters are set instantly simply by selecting the appropriate Application Preset.

Functions at Start and Stop

NEW

Optimal Deceleration

Optimal deceleration without needing to set the deceleration time. Drive slows the application smoothly controlling DC bus voltage.

NEW

Overexcitation Braking

Perfect for applications with high load inertia that rarely need to be stopped. Stop quickly: 50% faster without the use of a braking resistor.

Note: Stopping times may vary based on motor characteristics.

Speed Search

Start a coasting motor. Automatically brings a coasting motor back to the target frequency without using a motor encoder.

Dwell Function

Accelerate and decelerate smoothly with large inertia loads. Drive prevents speed loss by holding the output frequency at a constant level during acceleration and deceleration.

Accel/Decel Time Switch

Switch easily between accel/decel times. Switch acceleration and deceleration rates when running two motors from the same drive, or assign specific accel/decel rates when operating at high speed or at low speed.

Reference Functions

Frequency Reference Upper/Lower Limits

Limit motor speed. Set speed limits and eliminate the need for extra peripheral devices and extraneous hardware.

Frequency Jump

Skip over troublesome resonant frequencies. Drive can be programmed to avoid machine resonance problems by avoiding constant speed operation at certain speeds.

Frequency Reference Hold

Improved operability. Momentarily hold the operating frequency during acceleration or deceleration as the load is lowered or raised.

Droop Control

Balances the load automatically between motors. Calculates the ratio of the load torque and adjusts motor speed accordingly.

Functions for Top Performance

NEW

IM/PM Switch

Run both IM and PM motors with a single drive. The most advanced motor drive technology can run both IM and PM motors, allowing for even greater energy savings and a more compact setup.

NEW

Watt-Hour Pulse Monitor

No extra watt hour meter needed. A pulse output lets the user monitor power consumption.*

*: Cannot legally be used as proof of power consumption.

Energy Saving

Automatically runs at top efficiency.* The drive supplies voltage to the motor relative to the speed and load so that the application is for operating at the most efficient level.

*: Not available in models 450 kW and above.

NEW

Online Tuning

Enables high-precision operation. Automatically adjusts resistance between motor conductors during operation, thus improving speed accuracy when there are motor temperature fluctuations. This function is active only for Open Loop Vector Control.

Current Vector Control

Achieve high levels of performance. The drive comes with current vector control capabilities for high performance applications.

NEW

Drive WorksEZ

Customize the perfect drive to fit your needs. Upper controller circuitry and drive I/O terminals can be programmed so that extra hardware is no longer needed. Drag-and-drop. Visual programming makes customization a breeze.

PID Control

Automatic PID control. The internal PID controller fine-tunes the output frequency for precise control of pressure, flow, or other variables.

Motor 2 Switch

One drive runs two motors. Use a single drive to operate two different motors. Only one PM motor may be used.

Pulse Train Input

Improved operability. Use the Pulse Train Input to control not only the frequency reference, but also PID feedback and PID input.

Pulse Train Output

Improved monitor functions. Pulse output lets the user observe everything from the frequency reference and output frequency to motor speed, softstart output frequency, PID feedback, and PID input.

Torque
Detection

Protects the load and helps ensure continuous operation.

An output terminal is triggered when motor torque rises above or falls below a specified level. Useful as an interlock signal for protecting equipment when blade problems arise in a machine tool application or for detecting a broken belt.

Torque
Limit

Better reliability: Keep the application running while protecting the load.

A1000 helps protect your application by restricting the amount of torque the motor can create.

Torque
Control

Freely adjust torque levels with an external reference signal.

Perfect for tension control in winders and assisting torque followers.

Feed
Forward
Control

Optimizes speed changes when working with high-inertia loads.

Estimates the acceleration/deceleration torque required for the change in speed, and then recalculates the torque reference.

NEW

Inertia
Tuning

Automatically optimize ASR settings for superior responsiveness.*

Optimizes the drive's ability to decelerate the load. Useful for applications using KEB and Feed Forward functions.

*: Available for models less than 450 kW.

Speed
Search

Automatically switches to line power.

Switches operation between line power and inverter drive operation without stopping the motor.

Timer
Function

No need for extra hardware.

Control timing by opening and closing the output signal relative to the input signal.

Zero Servo
Control

Locks the motor at zero speed.

Holds the motor solidly at 0 Hz, regardless of external influences on the load.

NEW

Carrier
Frequency

Set the carrier frequency to best match application needs.

Reduces noise and resonance in the both the motor as well as the mechanical system. The Swing PWM feature* can be used to minimize audible motor noise.

*: Available for models under 450 kW.

Continuous
Run during
Reference
Loss

Keeps the application running.

Maintains continuous operation even if the controller fails or frequency reference is lost. An indispensable feature for large HVAC applications.

Fault
Restart

Keep running when a fault occurs.

A1000 has full self-diagnostic features and can restart the application in the event of a fault. Up to 10 restarts possible.

Protective Functions

Momentary
Power Loss
Ride-Thru

Keep running even during a momentary loss in power.

A1000 automatically restarts the motor and keeps the application going in the event of a power loss.

Overvoltage
Suppression

Avoid overvoltage trip.

Effective for punching presses and crank shafts where repetitive motion creates large amounts of regenerative energy. The drive increases or decreases the frequency in correspondence with regen levels to prevent overvoltage from occurring.

NEW

Carrier
Frequency
Reduction at
Overload

Avoid overload faults for nonstop operations.

Automatically lowers the carrier frequency and raise the overload capacity if the load increases and the current exceeds the drive's rated output current. This makes it possible to prevent the occurrence of overload faults.

Load Speed
Display

Monitor actual speed of the motor and load.

Monitors let the user keep track of motor rotations and line speed.

Copy
Function

Save parameter setting to the digital operator.

Copy all parameter settings to the operator keypad, and then transfer those settings to another drive. Saves valuable setup and maintenance time.

NEW

Maintenance
Monitors

Notifies the user when maintenance may be required.

An output signal is triggered when certain components such as the cooling fan or capacitors are nearing their expected performance life.

KEB
Function

Decelerate to stop when the power goes out.

A1000 uses regenerative energy from the motor to bring the application to a stop, rather than simply letting it coast.



Parameter List

Refer to the A1000 Technical Manual for details.

Function	No.	Name	Range	Default	Changes during Run	
Initialization Parameters	A1-00	Language Selection	0 to 12*4	1*1	○	
	A1-01	Access Level Selection	0 to 2	2*2	○	
	A1-02	Control Method Selection	0,1,2,3,5,6,7	2*1	×	
	A1-03	Initialize Parameters	0 to 5550	0	×	
	A1-04	Password	0 to 9999	0	×	
	A1-05	Password Setting	0 to 9999	0	×	
	A1-06	Application Preset	0 to 7	0	×	
User Parameters	A1-07	DWEZ Function Selection	0 to 2	0	×	
	A2-01 to A2-32	User Parameters, 1 to 32	A1-00 to o4-13	*2	×	
	A2-33	User Parameter Automatic Selection	0, 1	1*2	×	
Operation Mode Selection	b1-01	Frequency Reference Selection 1	0 to 4	1	×	
	b1-02	Run Command Selection 1	0 to 3	1	×	
	b1-03	Stopping Method Selection	0 to 3*3	0	×	
	b1-04	Reverse Operation Selection	0, 1	0	×	
	b1-05	Action Selection below Minimum Output Frequency	0 to 3	0	×	
	b1-06	Digital Input Reading	0, 1	1	×	
	b1-07	LOCAL/REMOTE Run Selection	0, 1	0	×	
	b1-08	Run Command Selection while in Programming Mode	0 to 2	0	×	
	b1-14	Phase Order Selection	0, 1	0	×	
	b1-15	Frequency Reference Selection 2	0 to 4	0	×	
	b1-16	Run Command Selection 2	0 to 3	0	×	
	b1-17	Run Command at Power Up	0, 1	0	×	
	b1-21*9	Start Condition Selection at Closed Loop Vector Control	0, 1	0	×	
	DC Injection Braking and Short Circuit Braking	b2-01	DC Injection Braking Start Frequency	0.0 to 10.0	*3	×
		b2-02*4	DC Injection Braking Current	0 to 100	50%	×
		b2-03*4	DC Injection Braking Time at Start	0.00 to 10.00	0.00 s	×
		b2-04*4	DC Injection Braking Time at Stop	0.00 to 10.00	*3	×
b2-08		Magnetic Flux Compensation Capacity	0 to 1000	0%	×	
b2-12		Short Circuit Brake Time at Start	0.00 to 25.50	0.00 s	×	
Speed Search	b2-13	Short Circuit Brake Time at Stop	0.00 to 25.50	0.50 s	×	
	b2-18	Short Circuit Braking Current	0.0 to 200.0	100.0%	×	
	b3-01	Speed Search Selection at Start	0, 1	*3	×	
	b3-02	Speed Search Deactivation Current	0 to 200	*3	×	
	b3-03	Speed Search Deceleration Time	0.1 to 10.0	2.0 s	×	
	b3-04*4	V/f Gain during Speed Search	10 to 100	*4	×	
	b3-05	Speed Search Delay Time	0.0 to 100.0	0.2 s	×	
	b3-06	Output Current 1 during Speed Search	0.0 to 2.0	*4	×	
	b3-07*8	Output Current 2 during Speed Search (Speed Estimation Type)	0.0 to 5.0	dep. On C6-01	×	
	b3-08	Current Control Gain during Speed Search (Speed Estimation Type)	0.00 to 6.00	dep. On A1-02	×	
	b3-10	Speed Search Detection Compensation Gain	1.00 to 1.20	1.05	×	
	b3-12*8	Minimum Current Detection Level during Speed Search	2.0 to 10.0	6.0	×	
	b3-14	Bi-Directional Speed Search Selection	0, 1	*3	×	
	b3-17	Speed Search Restart Current Level	0 to 200	150%	×	
	b3-18	Speed Search Restart Detection Time	0.00 to 1.00	0.10 s	×	
	b3-19	Number of Speed Search Restarts	0 to 10	3	×	
	b3-24	Speed Search Method Selection	0, 1	0	×	
	b3-25	Speed Search Wait Time	0.0 to 30.0	0.5 s	×	
	Delay Timer	b3-26*8	Direction Determining Level	40 to 60000	dep. On C6-01 dep. On o2-04	×
		b3-27	Start Speed Search Select	0, 1	0	×
b3-29*9		Speed Search Induced Voltage Level	0 to 10	10%	×	
b3-33*9		Speed Search Selection when Driving Instruction is Input in Uv	0, 1	0	×	
b4-01		Timer Function On-Delay Time	0.0 to 3000.0	0.0 s	×	
b4-02		Timer Function Off-Delay Time	0.0 to 3000.0	0.0 s	×	
b4-03*9		H2-01 ON Delay Time	0 to 65536	0 ms	×	
b4-04*9	H2-01 OFF Delay Time	0 to 65536	0 ms	×		
b4-05*9	H2-02 ON Delay Time	0 to 65536	0 ms	×		
b4-06*9	H2-02 OFF Delay Time	0 to 65536	0 ms	×		
b4-07*9	H2-03 ON Delay Time	0 to 65536	0 ms	×		
b4-08*9	H2-03 OFF Delay Time	0 to 65536	0 ms	×		

Note: Footnotes are listed on page 23.

Function	No.	Name	Range	Default	Changes during Run	
PID Control	b5-01	PID Function Setting	0 to 8*4	0	×	
	b5-02	Proportional Gain Setting (P)	0.00 to 25.00	1.00	○	
	b5-03	Integral Time Setting (I)	0.0 to 360.0	1.0 s	○	
	b5-04	Integral Limit Setting	0.0 to 100.0	100.0%	○	
	b5-05	Derivative Time (D)	0.00 to 10.00	0.00 s	○	
	b5-06	PID Output Limit	0.0 to 100.0	100.0%	○	
	b5-07	PID Offset Adjustment	-100.0 to +100.0	0.0%	○	
	b5-08	PID Primary Delay Time Constant	0.00 to 10.00	0.00 s	○	
	b5-09	PID Output Level Selection	0, 1	0	×	
	b5-10	PID Output Gain Setting	0.00 to 25.00	1.00	○*4	
	b5-11	PID Output Reverse Selection	0, 1	0	×	
	b5-12	PID Feedback Loss Detection Selection	0 to 5	0	×	
	b5-13	PID Feedback Low Detection Level	0 to 100	0%	×	
	b5-14	PID Feedback Low Detection Time	0.0 to 25.5	1.0 s	×	
	b5-15	PID Sleep Function Start Level	0.0 to 400.0	*3	×	
	b5-16	PID Sleep Delay Time	0.0 to 25.5	0.0 s	×	
	b5-17	PID Accel/Decel Time	0 to 6000.0	0.0 s	×	
	b5-18	PID Setpoint Selection	0, 1	0	×	
	b5-19	PID Setpoint Value	0.00 to 100.00	0.00%	○*4	
	b5-20	PID Setpoint Scaling	0 to 3	1	×	
	b5-34	PID Output Lower Limit	-100.0 to +100.0	0.0%	○	
	b5-35	PID Input Limit	0.0 to 1000.0	1000.0%	○	
	b5-36	PID Feedback High Detection Level	0 to 100	100%	×	
	b5-37	PID Feedback High Detection Time	0.0 to 25.5	1.0 s	×	
	b5-38	PID Setpoint User Display	1 to 60000	dep. on	×	
	b5-39	PID Setpoint Display Digits	0 to 3	b5-20	×	
	b5-40	Frequency Reference Monitor Content during PID	0, 1	0	×	
	b5-47	Reverse Operation Selection 2 by PID Output	0, 1	1	×	
	Dwell Function	b6-01	Dwell Reference at Start	0.0 to 400.0	*3	×
		b6-02	Dwell Time at Start	0.0 to 10.0	0.0 s	×
		b6-03	Dwell Frequency at Stop	0.0 to 400.0	*3	×
	Droop Control	b6-04	Dwell Time at Stop	0.0 to 10.0	0.0 s	×
		b7-01	Droop Control Gain	0.0 to 100.0	0.0%	○
		b7-02	Droop Control Delay Time	0.03 to 2.00	0.05 s	○
	Energy Saving	b7-03	Droop Control Limit Selection	0, 1	1	×
		b8-01	Energy Saving Control Selection	0, 1	*3	×
		b8-02	Energy Saving Gain	0.0 to 10.0	*3	○
		b8-03	Energy Saving Control Filter Time Constant	0.00 to 10.00	*2	○
		b8-04	Energy Saving Coefficient Value	0.00 to 655.00	*4 dep. on E2-11	×
		b8-05	Power Detection Filter Time	0 to 2000	20 ms	×
		b8-06	Search Operation Voltage Limit	0 to 100	0%	×
	Zero Servo	b8-16	Energy Saving Parameter (Ki) for PM Motors	0.00 to 3.00*4	1.00	×
		b8-17	Energy Saving Parameter (Kt) for PM Motors	0.00 to 3.00*4	1.00	×
	Acceleration and Deceleration Times	b9-01	Zero Servo Gain	0 to 100	5	×
		b9-02	Zero Servo Completion Width	0 to 16383	10	×
		C1-01	Acceleration Time 1	0.0 to 6000.0*2	10.0 s	○
		C1-02	Deceleration Time 1	0.0 to 6000.0*2	10.0 s	○
C1-03		Acceleration Time 2	0.0 to 6000.0*2	10.0 s	○	
C1-04		Deceleration Time 2	0.0 to 6000.0*2	10.0 s	○	
C1-05		Acceleration Time 3 (Motor 2 Accel Time 1)	0.0 to 6000.0*2	10.0 s	○	
C1-06		Deceleration Time 3 (Motor 2 Decel Time 1)	0.0 to 6000.0*2	10.0 s	○	
C1-07		Acceleration Time 4 (Motor 2 Accel Time 2)	0.0 to 6000.0*2	10.0 s	○	
C1-08		Deceleration Time 4 (Motor 2 Decel Time 2)	0.0 to 6000.0*2	10.0 s	○	
S-Curve Characteristics	C1-09	Fast Stop Time	0.0 to 6000.0*2	10.0 s	○*4	
	C1-10	Accel/Decel Time Setting Units	0, 1	1	×	
	C1-11	Accel/Decel Time Switching Frequency	0.0 to 400.0	*3	×	
	C2-01	S-Curve Characteristic at Accel Start	0.00 to 10.00	*3	×	
	C2-02	S-Curve Characteristic at Accel End	0.00 to 10.00	0.20 s	×	
	C2-03	S-Curve Characteristic at Decel Start	0.00 to 10.00	0.20 s	×	
	C2-04	S-Curve Characteristic at Decel End	0.00 to 10.00	0.00 s	×	
	Slip Compensation	C3-01	Slip Compensation Gain	0.0 to 2.5	*3	○
		C3-02	Slip Compensation Primary Delay Time	0 to 10000	*3	○
		C3-03	Slip Compensation Limit	0 to 250	200%	×
		C3-04	Slip Compensation Selection during Regeneration	0 to 2	0	×
C3-05*4	Output Voltage Limit Operation Selection	0, 1	0	×		



Function	No.	Name	Range	Default	Changes during Run
Slip Compensation	C3-16*8	Output Voltage Limit Start (Modulation)	70.0 to 90.0	85.0%	×
	C3-17*8	Output Voltage Limit Max (Modulation)	85.0 to 100.0	90.0%	×
	C3-18*8	Output Voltage Limit Level	30.0 to 100.0	90.0%	×
	C3-21	Motor 2 Slip Compensation Gain	0.00 to 2.50	dep. on E3-01	○
	C3-22	Motor 2 Slip Compensation Primary Delay Time	0 to 10000	dep. on E3-01	○
	C3-23	Motor 2 Slip Compensation Limit	0 to 250	200%	×
	C3-24	Motor 2 Slip Compensation Selection during Regeneration	0 to 2	0	×
Torque Compensation	C4-01	Torque Compensation Gain	0.00 to 2.50	*3	○
	C4-02	Torque Compensation Primary Delay Time1	0 to 60000	*3 *4	○
	C4-03	Torque Compensation at Forward Start	0.0 to 200.0	0.0%	×
	C4-04	Torque Compensation at Reverse Start	-200.0 to 0.0	0.0%	×
	C4-05	Torque Compensation Time Constant	0 to 200	10 ms	×
	C4-06	Torque Compensation Primary Delay Time 2	0 to 10000	150 ms	×
	C4-07	Motor 2 Torque Compensation Gain	0.00 to 2.50	1.00	○
Automatic Speed Regulator (ASR)	C5-01	ASR Proportional Gain 1	0.00 to 300.00*3	*3	○
	C5-02	ASR Integral Time 1	0.000 to 10.000	*3	○
	C5-03	ASR Proportional Gain 2	0.00 to 300.00*3	*3	○
	C5-04	ASR Integral Time 2	0.000 to 10.000	*3	○
	C5-05	ASR Limit	0.0 to 20.0	5.0%	×
	C5-06	ASR Primary Delay Time Constant	0.000 to 0.500	*3	×
	C5-07	ASR Gain Switching Frequency	0.0 to 400.0	*3	×
	C5-08	ASR Integral Limit	0 to 400	400%	×
	C5-12	Integral Value during Accel/Decel	0, 1	0	×
	C5-17	Motor Inertia	0.0001 to 600.00	*2 dep. on E5-01	×
	C5-18	Load Inertia Ratio	0.0 to 6000.0	1.0	×
	C5-21	Motor 2 ASR Proportional Gain 1	0.00 to 300.00*3	dep. on E3-01	○
	C5-22	Motor 2 ASR Integral Time 1	0.000 to 10.000	dep. on E3-01	○
	C5-23	Motor 2 ASR Proportional Gain 2	0.00 to 300.00*3	dep. on E3-01	○
	C5-24	Motor 2 ASR Integral Time 2	0.000 to 10.000	dep. on E3-01	○
	C5-25	Motor 2 ASR Limit	0.0 to 20.0	5.0%	×
	C5-26	Motor 2 ASR Primary Delay Time Constant	0.000 to 0.500	dep. on E3-01	×
	C5-27	Motor 2 ASR Gain Switching Frequency	0.0 to 400.0	0.0 Hz	×
	C5-28	Motor 2 ASR Integral Limit	0 to 400	400%	×
	C5-32	Integral Operation during Accel/Decel for Motor 2	0, 1	0	×
	C5-37	Motor 2 Inertia	0.0001 to 600.00	*2	×
C5-38	Motor 2 Load Inertia Ratio	0.0 to 6000.0	1.0	×	
C5-39*9	Motor 2 ASR Primary Delay Time Constant 2	0.000 to 0.500	0.000 s	×	
Carrier Frequency	C6-01	Drive Duty Selection	0, 1	0	×
	C6-02	Carrier Frequency Selection	1 to F*4	*2	×
	C6-03	Carrier Frequency Upper Limit	1.0 to 15.0*4	*2	×
	C6-04	Carrier Frequency Lower Limit	1.0 to 15.0*4	*2	×
	C6-05	Carrier Frequency Proportional Gain	0 to 99	*2	×
	C6-09*9	Carrier Frequency during Rotational Auto-Tuning	0, 1	0	×
Frequency Reference	d1-01	Frequency Reference 1	0.00 to 400.00*2*3	0.00 Hz	○
	d1-02	Frequency Reference 2			○
	d1-03	Frequency Reference 3			○
	d1-04	Frequency Reference 4			○
	d1-05	Frequency Reference 5			○
	d1-06	Frequency Reference 6			○
	d1-07	Frequency Reference 7			○
	d1-08	Frequency Reference 8			○

Function	No.	Name	Range	Default	Changes during Run	
Frequency Reference	d1-09	Frequency Reference 9	0.00 to 400.00*2*3	0.00 Hz	○	
	d1-10	Frequency Reference 10			○	
	d1-11	Frequency Reference 11			○	
	d1-12	Frequency Reference 12			○	
	d1-13	Frequency Reference 13			○	
	d1-14	Frequency Reference 14			○	
	d1-15	Frequency Reference 15			○	
	d1-16	Frequency Reference 16			○	
	d1-17	Jog Frequency Reference	0.00 to 400.00*2*3	6.00 Hz	○	
	Frequency Upper/Lower Limits	d2-01	Frequency Reference Upper Limit	0.0 to 110.0	100.0%	×
		d2-02	Frequency Reference Lower Limit	0.0 to 110.0	0.0%	×
		d2-03	Master Speed Reference Lower Limit	0.0 to 110.0	0.0%	×
	Jump Frequency	d3-01	Jump Frequency 1	0.0 to 400.0	*3	×
		d3-02	Jump Frequency 2			×
		d3-03	Jump Frequency 3			×
		d3-04	Jump Frequency Width			0.0 to 20.0
Frequency Reference Hold and Up/Down 2 Function	d4-01	Freq. Ref. Hold Function Selection	0, 1	0	×	
	d4-03	Freq. Ref. Bias Step (Up/Down 2)	0.00 to 99.99	0.00 Hz	○	
	d4-04	Freq. Ref. Bias Accel/Decel (Up/Down 2)	0, 1	0	○	
	d4-05	Freq. Ref. Bias Operation Mode Selection (Up/Down 2)	0, 1	0	○	
	d4-06	Freq. Ref. Bias (Up/Down 2)	-99.9 to +100.0	0.0%	×	
	d4-07	Analog Frequency Reference Fluctuation (Up 2/Down 2)	0.1 to 100.0	1.0%	○	
	d4-08	Freq. Ref. Bias Upper Limit (Up/Down 2)	0.0 to 100.0	0.0%	○	
	d4-09	Freq. Ref. Bias Lower Limit (Up/Down 2)	-99.9 to 0.0	0.0%	○	
	d4-10	Up/Down Freq. Ref. Limit Selection	0, 1	0	×	
	Torque Control	d5-01	Torque Control Selection	0, 1	0	×
d5-02		Torque Reference Delay Time	0 to 1000	*3	×	
d5-03		Speed Limit Selection	1, 2	1	×	
d5-04		Speed Limit	-120 to +120	0%	×	
d5-05		Speed Limit Bias	0 to 120	10%	×	
d5-06		Speed/Torque Control Switchover Time	0 to 1000	0 ms	×	
d5-08		Unidirectional Speed Limit Bias	0, 1	1	×	
Field Weakening and Field Forcing		d6-01	Field Weakening Level	0 to 100	80%	×
	d6-02	Field Weakening Frequency Limit	0.0 to 400.0	0.0 Hz	×	
	d6-03	Field Forcing Selection	0, 1	0	×	
	d6-06	Field Forcing Limit	100 to 400	400%	×	
Offset Frequency	d7-01	Offset Frequency 1	-100.0 to +100.0	0.0%	○	
	d7-02	Offset Frequency 2			○	
	d7-03	Offset Frequency 3			○	
V/f Pattern for motor 1	E1-01	Input Voltage Setting	155 to 255	200 V *5	×	
	E1-03	V/f Pattern Selection	0 to F*3	F*1	×	
	E1-04	Maximum Output Frequency	40.0 to 400.0*3	*2 dep. on E5-01 for PM motor	×	
	E1-05	Maximum Voltage	0.0 to 255.0*5	*2 dep. on E5-01 for PM motor	×	
	E1-06	Base Frequency	0.0 to E1-04*3	*2 dep. on E5-01 for PM motor	×	
	E1-07	Middle Output Frequency	0.0 to E1-04	*2	×	
	E1-08	Middle Output Frequency Voltage	0.0 to 255.0*5	*2	×	
	E1-09	Minimum Output Frequency	0.0 to E1-04*5	*2 dep. on E5-01 for PM motor	×	
	E1-10	Minimum Output Frequency Voltage	0.0 to 255.0*5	*2	×	
	E1-11	Middle Output Frequency 2	0.0 to E1-04*2	0.0 Hz	×	
	E1-12	Middle Output Frequency Voltage 2	0.0 to 255.0*2*5	0.0 V	×	
	E1-13	Base Voltage	0.0 to 255.0*5	0.0 V*2	×	

Note: Footnotes are listed on page 23.



Parameter List (continued)

Function	No.	Name	Range	Default	Changes during Run
Motor 1 Parameters	E2-01	Motor Rated Current	10% to 200% of the drive rated current*2	*2	×
	E2-02	Motor Rated Slip	0.00 to 20.00	*2	×
	E2-03	Motor No-Load Current	0 to E2-01*2	*2	×
	E2-04	Number of Motor Poles	2 to 48	4	×
	E2-05	Motor Line-to-Line Resistance	0.000 to 65.000*4	*2	×
	E2-06	Motor Leakage Inductance	0.0 to 40.0	*2	×
	E2-07	Motor Iron-Core Saturation Coefficient 1	E2-07 to 0.50	0.50	×
	E2-08	Motor Iron-Core Saturation Coefficient 2	E2-07 to 0.75	0.75	×
	E2-09	Motor Mechanical Loss	0.0 to 10.0	0.0%	×
	E2-10	Motor Iron Loss for Torque Compensation	0 to 65535	*2	×
	E2-11	Motor Rated Power	0.00 to 650.00	*2	×
V/f Pattern for Motor 2	E3-01	Motor 2 Control Mode Selection	0 to 3	0	×
	E3-04	Motor 2 Max. Output Frequency	40.0 to 400.0	dep. on E3-01	×
	E3-05	Motor 2 Max. Voltage	0.0 to 255.0*5	*5	×
	E3-06	Motor 2 Base Frequency	0.0 to E3-04	dep. on E3-01	×
	E3-07	Motor 2 Mid Output Freq.	0.0 to E3-04	dep. on E3-01	×
	E3-08	Motor 2 Mid Output Freq. Voltage	0.0 to 255.0*5	*5 dep. on E3-01	×
	E3-09	Motor 2 Min. Output Freq.	0.0 to E3-04	dep. on E3-01	×
	E3-10	Motor 2 Min. Output Freq. Voltage	0.0 to 255.0*5	*5 dep. on E3-01	×
	E3-11	Motor 2 Mid Output Frequency 2	0.0 to E3-04*3	0.0 Hz*2	×
	E3-12	Motor 2 Mid Output Frequency Voltage 2	0.0 to 255.0*5	0.0 Hz*2	×
	E3-13	Motor 2 Base Voltage	0.0 to 255.0*5	0.0 Hz*2	×
	Motor 2 Parameters	E4-01	Motor 2 Rated Current	10% to 200% of the drive rated current*2	*2
E4-02		Motor 2 Rated Slip	0.00 to 20.00*2	*2	×
E4-03		Motor 2 Rated No-Load Current	0 to E4-01*2	*2	×
E4-04		Motor 2 Motor Poles	2 to 48	4	×
E4-05		Motor 2 Line-to-Line Resistance	0.000 to 65.000*4	*2	×
E4-06		Motor 2 Leakage Inductance	0.0 to 40.0	*2	×
E4-07		Motor 2 Motor Iron-Core Saturation Coefficient 1	0.00 to 0.50	0.50	×
E4-08		Motor 2 Motor Iron-Core Saturation Coefficient 2	E4-07 to 0.75	0.75	×
E4-09		Motor 2 Mechanical Loss	0.0 to 10.0	0.0%	×
E4-10		Motor 2 Iron Loss	0 to 65535	*2	×
E4-11		Motor 2 Rated Capacity	0.00 to 650.00	*2	×
PM Motor Settings	E5-01	Motor Code Selection	0000 to FFFF	*1 *2	×
	E5-02	Motor Rated Capacity	0.10 to 650.00	*1 dep. on E5-01	×
	E5-03	Motor Rated Current	10% to 200% of the drive rated current*2	*1 dep. on E5-01	×
	E5-04	Number of Motor Poles	2 to 48	*1 dep. on E5-01	×
	E5-05	Motor Stator Resistance	0.000 to 65.000	*1 dep. on E5-01	×
PM Motor Settings	E5-06	Motor d-Axis Inductance	0.00 to 300.00	*1 dep. on E5-01	×
	E5-07	Motor q-Axis Inductance	0.00 to 600.00	*1 dep. on E5-01	×

Note: Footnotes are listed on page 23.

Function	No.	Name	Range	Default	Changes during Run
PM Motor Settings	E5-09	Motor Induction Voltage Constant 1	0.0 to 2000.0	*1 dep. on E5-01	×
	E5-11	Encoder Z Pulse Offset	-180.0 to +180.0	0.0 deg	×
	E5-24	Motor Induction Voltage Constant 2	0.0 to 6500.0	*1 dep. on E5-01	×
	E5-25*4	Polarity Switch for Initial Polarity Estimation	0, 1	0	×
PG Speed Control Card (PG-B3/PG-X3/PG-RT3/PG-F3)	F1-01	PG 1 Pulses Per Revolution	0 to 60000	*3	×
	F1-02	Operation Selection at PG Open Circuit (PGo)	0, 1	1	×
	F1-03	Operation Selection at Overspeed (oS)	0 to 3	1	×
	F1-04	Operation Selection at Deviation	0 to 3	3	×
	F1-05	PG 1 Rotation Selection	0, 1	*3	×
	F1-06	PG 1 Division Rate for PG Pulse Monitor	1 to 132	1	×
	F1-08	Overspeed Detection Level	0 to 120	115%	×
	F1-09	Overspeed Detection Delay Time	0.0 to 2.0	*3	×
	F1-10	Excessive Speed Deviation Detection Level	0 to 50	10%	×
	F1-11	Excessive Speed Deviation Detection Delay Time	0.0 to 10.0	0.5 s	×
	F1-12	PG 1 Gear Teeth 1	0 to 1000	0	×
	F1-13	PG 1 Gear Teeth 2	0 to 1000	0	×
	F1-14	PG Open-Circuit Detection Time	0.0 to 10.0	2.0 s	×
	F1-18	dv3 Detection Selection	0 to 10	10	×
	F1-19	dv4 Detection Selection	0 to 5000	128	×
	F1-20	PG Option Card Disconnect Detection 1	0, 1	1	×
	F1-21	PG 1 Signal Selection	0, 1	0	×
	F1-30	PG Card Option Port for Motor 2 Selection	0, 1	1	×
	F1-31	PG 2 Pulses Per Revolution	0 to 60000	600 ppr	×
	F1-32	PG 2 Rotation Selection	0, 1	0	×
	F1-33	PG 2 Gear Teeth 1	0 to 1000	0	×
F1-34	PG 2 Gear Teeth 2	0 to 1000	0	×	
F1-35	PG 2 Division Rate for PG Pulse Monitor	1 to 132	1	×	
F1-36	PG Option Card Disconnect Detection 2	0, 1	1	×	
F1-37	PG 2 Signal Selection	0, 1	0	×	
F1-50*9	Encoder Selection	0 to 2	0	×	
F1-51*9	PGoH Detection Level	1 to 100	80%	×	
F1-52*9	Communication Speed of Serial Encoder Selection	0 to 3	0	×	
Analog Input Card (AI-A3)	F2-01	Analog Input Option Card Operation Selection	0, 1	0	×
	F2-02	Analog Input Option Card Gain	-999.9 to +999.9	100.0%	○
	F2-03	Analog Input Option Card Bias	-999.9 to +999.9	0.0%	○
Digital Input Card (DI-A3)	F3-01	Digital Input Option Card Input Selection	0 to 7	0	×
	F3-03	Digital Input Option DI-A3 Data Length Selection	0 to 2	2	×
	Analog Monitor Card (AO-A3)	F4-01	Terminal V1 Monitor Selection	000 to 999	102
F4-02		Terminal V1 Monitor Gain	-999.9 to +999.9	100.0%	○
F4-03		Terminal V2 Monitor Selection	000 to 999	103	×
F4-04		Terminal V2 Monitor Gain	-999.9 to +999.9	50.0%	○
F4-05		Terminal V1 Monitor Bias	-999.9 to +999.9	0.0%	○
F4-06		Terminal V2 Monitor Bias	-999.9 to +999.9	0.0%	○
F4-07		Terminal V1 Signal Level	0, 1	0	×
F4-08		Terminal V2 Signal Level	0, 1	0	×
Digital Output Card (DO-A3)	F5-01	Terminal P1-PC Output Selection	0 to 192	0	×
	F5-02	Terminal P2-PC Output Selection	0 to 192	1	×
	F5-03	Terminal P3-PC Output Selection	0 to 192	2	×
	F5-04	Terminal P4-PC Output Selection	0 to 192	4	×
	F5-05	Terminal P5-PC Output Selection	0 to 192	6	×
	F5-06	Terminal P6-PC Output Selection	0 to 192	37	×
	F5-07	Terminal M1-M2 Output Selection	0 to 192	F	×
	F5-08	Terminal M3-M4 Output Selection	0 to 192	F	×
	F5-09	DO-A3 Output Mode Selection	0 to 2	0	×
Communication Option Card	F6-01	Communications Error Operation Selection	0 to 5	1	×
	F6-02	External Fault from Comm. Option Detection Selection	0, 1	0	×
	F6-03	External Fault from Comm. Option Operation Selection	0 to 3	1	×
	F6-04	bUS Error Detection Time	0.0 to 5.0	2.0 s	×



Function	No.	Name	Range	Default	Changes during Run	
Communication Option Card	F6-06	Torque Reference/Torque Limit Selection from Communications Option	0, 1	0	×	
	F6-07	Multi-Step Speed during NetRef/ComRef	0,1	0	×	
	F6-08	Reset Communication Parameters	0,1	0*1	×	
	F6-10 to F6-14	CC-Link Parameter	-	-	×	
	F6-20 to F6-26	MECHATROLINK Parameter	-	-	×	
	F6-30 to F6-32	PROFIBUS-DP Parameter	-	-	×	
	F6-35 to F6-36	CANopen Parameter	-	-	×	
	F6-50 to F6-63	DeviceNet Parameters	-	-	×	
	F6-64 to F6-71	Reserved	-	-	×	
	F7-01 to F7-42	EtherNet Parameter	-	-	×	
	Multi-Function Digital Inputs	H1-01	Multi-Function Digital Input Terminal S1 Function Selection	1 to 9F	40 (F)*6	×
		H1-02	Multi-Function Digital Input Terminal S2 Function Selection	1 to 9F	41 (F)*6	×
		H1-03	Multi-Function Digital Input Terminal S3 Function Selection	0 to 9F	24	×
		H1-04	Multi-Function Digital Input Terminal S4 Function Selection	0 to 9F	14	×
		H1-05	Multi-Function Digital Input Terminal S5 Function Selection	0 to 9F	3 (0)*6	×
		H1-06	Multi-Function Digital Input Terminal S6 Function Selection	0 to 9F	4 (3)*6	×
		H1-07	Multi-Function Digital Input Terminal S7 Function Selection	0 to 9F	6 (4)*6	×
H1-08		Multi-Function Digital Input Terminal S8 Function Selection	0 to 9F	8	×	
Multi-Function Digital Outputs	H2-01	Terminals M1-M2 Function Selection (relays)	0 to 192	0	×	
	H2-02	Terminal P1-PC Function Selection (photocoupler)	0 to 192	1	×	
	H2-03	Terminal P2-PC Function Selection (photocoupler)	0 to 192	2	×	
	H2-06	Watt Hour Output Unit Selection	0 to 4	0	×	
	H2-07*9	Memobus Regs1 Address Select	1 to 1FFFH	1	×	
	H2-08*9	Memobus Regs1 Bit Select	0 to FFFFH	0	×	
	H2-09*9	Memobus Regs2 Address Select	1 to 1FFFH	1	×	
H2-10*9	Memobus Regs2 Bit Select	0 to FFFFH	0	×		
Multi-Function Analog Inputs	H3-01	Terminal A1 Signal Level Selection	0, 1	0	×	
	H3-02	Terminal A1 Function Selection	0 to 32	0	×	
	H3-03	Terminal A1 Gain Setting	-999.9 to +999.9	100.0%	○	
	H3-04	Terminal A1 Bias Setting	-999.9 to +999.9	0.0%	○	
	H3-05	Terminal A3 Signal Level Selection	0, 1	0	×	
	H3-06	Terminal A3 Function Selection	0 to 32	2	×	
	H3-07	Terminal A3 Gain Setting	-999.9 to +999.9	100.0%	○	
	H3-08	Terminal A3 Bias Setting	-999.9 to +999.9	0.0%	○	
	H3-09	Terminal A2 Signal Level Selection	0 to 3	2	×	
	H3-10	Terminal A2 Function Selection	0 to 32	0	×	
Multi-Function Analog Inputs	H3-11	Terminal A2 Gain Setting	-999.9 to +999.9	100.0%	○	
	H3-12	Terminal A2 Bias Setting	-999.9 to +999.9	0.0%	○	
	H3-13	Analog Input Filter Time Constant	0.00 to 2.00	0.03 s	×	
	H3-14	Analog Input Terminal Enable Selection	1 to 7	7	×	

Note: Footnotes are listed on page 23.

Function	No.	Name	Range	Default	Changes during Run
Multi-Function Analog Inputs	H3-16	Multi-Function Analog Input Terminal A1 Offset	-500 ~ +500	0	×
	H3-17	Multi-Function Analog Input Terminal A2 Offset	-500 ~ +500	0	×
	H3-18	Multi-Function Analog Input Terminal A3 Offset	-500 ~ +500	0	×
Multifunction Analog Outputs	H4-01	Multi-Function Analog Output Terminal FM Monitor Selection	000 to 999	102	×
	H4-02	Multi-Function Analog Output Terminal FM Gain	-999.9 to +999.9	100.0%	○
	H4-03	Multi-Function Analog Output Terminal FM Bias	-999.9 to +999.9	0.0%	○
	H4-04	Multi-Function Analog Output Terminal AM Monitor Selection	000 to 999	103	×
	H4-05	Multi-Function Analog Output Terminal AM Gain	-999.9 to +999.9	50.0%	○
	H4-06	Multi-Function Analog Output Terminal AM Bias	-999.9 to +999.9	0.0%	○
	H4-07	Multi-Function Analog Output Terminal FM Signal Level Selection	0, 1	0	×
	H4-08	Multi-Function Analog Output Terminal AM Signal Level Selection	0, 1	0	×
MEMOBUS/Modbus Serial Communication	H5-01	Drive Node Address	0 to FFH	1F	×
	H5-02	Communication Speed Selection	0 to 8	3	×
	H5-03	Communication Parity Selection	0 to 2	0	×
	H5-04	Stopping Method After Communication Error (CE)	0 to 3	3	×
	H5-05	Communication Fault Detection Selection	0, 1	1	×
	H5-06	Drive Transmit Wait Time	5 to 65	5 ms	×
	H5-07	RTS Control Selection	0, 1	1	×
	H5-09	CE Detection Time	0.0 to 10.0	2.0 s	×
	H5-10	Unit Selection for MEMOBUS/Modbus Register 0025H	0, 1	0	×
	H5-11	Communications ENTER Function Selection	0, 1	0	×
	H5-12	Run Command Method Selection	0, 1	0	×
	H5-17*9	Operation Selection when Unable to Write into EEPROM	0, 1	0	×
H5-18*9	Filter Time Constant for Motor Speed Monitoring	0 to 100	0 ms	×	
Pulse Train Input/Output	H6-01	Pulse Train Input Terminal RP Function Selection	0 to 3	0	×
	H6-02	Pulse Train Input Scaling	1000 to 32000	1440 Hz	○
	H6-03	Pulse Train Input Gain	0.0 to 1000.0	100.0%	○
	H6-04	Pulse Train Input Bias	-100.0 to +100.0	0.0%	○
	H6-05	Pulse Train Input Filter Time	0.00 to 2.00	0.10 s	○
	H6-06	Pulse Train Monitor Selection	000 to 809	102	○
	H6-07	Pulse Train Monitor Scaling	0 to 32000	1440 Hz	○
	H6-08	Pulse Train Input Minimum Frequency	0.1 to 1000.0	0.5 Hz	×
Motor Protection	L1-01	Motor Overload Protection Selection	0 to 6	*3	×
	L1-02	Motor Overload Protection Time	0.1 to 5.0	1.0 min.	×
	L1-03	Motor Overheat Alarm Operation Selection (PTC input)	0 to 3	3	×
	L1-04	Motor Overheat Fault Operation Selection (PTC input)	0 to 2	1	×
	L1-05	Motor Temperature Input Filter Time (PTC input)	0.00 to 10.00	0.20 s	×
	L1-08*9	OL1 Current Lvl	0.0 10% to 150% of the drive rated current	0.0 A	×
	L1-09*9	OL1 Current Lvl (for 2nd motor)	0.0 10% to 150% of the drive rated current	0.0 A	×



Parameter List (continued)

Function	No.	Name	Range	Default	Changes during Run
Motor Protection	L1-13	Continuous Electrothermal Operation Selection	0, 1	1	×
	L1-15*8	Motor 1 Thermistor Selection (NTC)	0, 1	0	×
	L1-16*8	Motor 1 Overheat Temperature	50 to 200	120°C	×
	L1-17*8	Motor 2 Thermistor Selection (NTC)	0, 1	0	×
	L1-18*8	Motor 2 Overheat Temperature	50 to 200	120°C	×
	L1-19*8	Thermistor Phase Loss Operation	0 to 3	3	×
	L1-20*8	Motor Overheat Operation	0 to 3	1	×
Momentary Power Loss Ride-Thru	L2-01	Momentary Power Loss Operation Selection	0 to 5	0	×
	L2-02	Momentary Power Loss Ride-Thru Time	0.0 to 25.5	*2	×
	L2-03	Momentary Power Loss Minimum Baseblock Time	0.1 to 5.0	*2	×
	L2-04	Momentary Power Loss Voltage Recovery Ramp Time	0.0 to 5.0	*2	×
	L2-05	Undervoltage Detection Level (Uv)	150 to 210*5	*5 dep. on E1-01	×
	L2-06	KEB Deceleration Time	0.00 to 6000.0*2	0.00 s	×
	L2-07	KEB Acceleration Time	0.00 to 6000.0*2	0.00 s	×
	L2-08	Frequency Gain at KEB Start	0 to 300	100%	×
	L2-10	KEB Detection Time	0 to 2000	50 ms	×
	L2-11	DC Bus Voltage Setpoint during KEB	150 to 400*5	*5 dep. on E1-01	×
	L2-29	KEB Method Selection	0 to 3	0	×
	Stall Prevention	L3-01	Stall Prevention Selection during Acceleration	0 to 2	1
L3-02		Stall Prevention Level during Acceleration	0 to 150*2	*2	×
L3-03		Stall Prevention Limit during Acceleration	0 to 100	50%	×
L3-04		Stall Prevention Selection during Deceleration	0 to 5*3*4	1	×
L3-05		Stall Prevention Selection during Run	0 to 2	1	×
L3-06		Stall Prevention Level during Run	30 to 150*2	*2	×
L3-11		Overvoltage Suppression Function Selection	0, 1	0	×
L3-17		Target DC Bus Voltage for Overvoltage Suppression and Stall Prevention	150 to 400*5	375 Vdc*5 dep. on E1-01	×
L3-20		DC Bus Voltage Adjustment Gain	0.00 to 5.00	*3	×
L3-21		Accel/Decel Rate Calculation Gain	0.10 to 10.00	*3	×
L3-22		Deceleration Time at Stall Prevention during Acceleration	0.0 to 6000.0	0.0 s	×
L3-23		Automatic Reduction Selection for Stall Prevention during Run	0, 1	0	×
L3-24		Motor Acceleration Time for Inertia Calculations	0.001 to 10.000	*2 dep. on E2-11 dep. on E5-01	×
L3-25		Load Inertia Ratio	0.0 to 1000.0	1.0	×
L3-26		Additional DC Bus Capacitors	0 to 65000	0 μF	×
L3-27		Stall Prevention Detection Time	0 to 5000	50 ms	×
L3-34*9		Torque Limit Delay Time	0.000 to 1.000	dep. On A1-02	×
L3-35*9	Speed Agree Width at Intelligent Stall Prevention during Deceleration	0.00 to 1.00	0.00 Hz	×	
Speed Detection	L4-01	Speed Agreement Detection Level	0.0 to 400.0	*3	×
	L4-02	Speed Agreement Detection Width	0.0 to 20.0	*3	×
	L4-03	Speed Agreement Detection Level (+/-)	-400.0 to +400.0	*3	×
	L4-04	Speed Agreement Detection Width (+/-)	0.0 to 20.0	*3	×
	L4-05	Frequency Reference Loss Detection Selection	0, 1	0	×
	L4-06	Frequency Reference at Reference Loss	0.0 to 100.0	80.0%	×
	L4-07	Speed Agreement Detection Selection	0, 1	0	×

Function	No.	Name	Range	Default	Changes during Run
Fault Reset	L5-01	Number of Auto Restart Attempts	0 to 10	0	×
	L5-02	Auto Restart Fault Output Operation Selection	0, 1	0	×
	L5-04	Fault Reset Interval Time	0.5 to 600.0	10.0 s	×
	L5-05	Fault Reset Operation Selection	0, 1	0	×
	Torque Detection	L6-01	Torque Detection Selection 1	0 to 8	0
L6-02		Torque Detection Level 1	0 to 300	150%	×
L6-03		Torque Detection Time 1	0.0 to 10.0	0.1 s	×
L6-04		Torque Detection Selection 2	0 to 8	0	×
L6-05		Torque Detection Level 2	0 to 300	150%	×
L6-06		Torque Detection Time 2	0.0 to 10.0	0.1 s	×
L6-08		Mechanical Weakening Detection Operation	0 to 8	0	×
L6-09		Mechanical Weakening Detection Speed Level	-110.0 to +110.0	110.0%	×
L6-10		Mechanical Weakening Detection Time	0.0 to 10.0	0.1 s	×
L6-11		Mechanical Weakening Detection Start Time	0 to 65535	0	×
Torque Limit		L7-01	Forward Torque Limit	0 to 300	200%
	L7-02	Reverse Torque Limit	0 to 300	200%	×
	L7-03	Forward Regenerative Torque Limit	0 to 300	200%	×
	L7-04	Reverse Regenerative Torque Limit	0 to 300	200%	×
	L7-06	Torque Limit Integral Time Constant	5 to 10000	200 ms	×
	L7-07	Torque Limit Control Method Selection during Accel/Decel	0, 1	0	×
	L7-16	Torque Limit Delay at Start	0, 1	1	×
Drive Protection	L8-01*9	Internal Dynamic Braking Resistor Protection Selection (ERF type)	0, 1	0	×
	L8-02	Overheat Alarm Level	50 to 130	*2	×
	L8-03	Overheat Pre-Alarm Operation Selection	0 to 4	3	×
	L8-05	Input Phase Loss Protection Selection	0, 1	0	×
	L8-07	Output Phase Loss Protection	0 to 2	0	×
	L8-09	Output Ground Fault Detection Selection	0, 1	1	×
	L8-10	Heatsink Cooling Fan Operation Selection	0, 1	0	×
	L8-11	Heatsink Cooling Fan Off Delay Time	0 to 300	60 s	×
	L8-12	Ambient Temperature Setting	-10 to +50	40°C	×
	L8-15	oL2 Characteristics Selection at Low Speeds	0, 1	1	×
	L8-18	Software Current Limit Selection	0, 1	0	×
	L8-19	Frequency Reduction Rate during oH Pre-Alarm	0.1 to 0.9	0.8	×
	L8-27	Overcurrent Detection Gain	0.0 to 400.0*4	300.0%	×
	L8-29	Current Unbalance Detection (LF2)	0 to 3*4	1	×
	L8-32	Magnetic Contactor, Fan Power Supply Fault Selection	0 to 4	1	×
	L8-35	Installation Method Selection	0 to 3	*1 *2	×
	L8-38	Carrier Frequency Reduction Selection	0 to 2	*2	×
	L8-40	Carrier Frequency Reduction Off Delay Time	0.00 to 2.00	*3	×
	L8-41	High Current Alarm Selection	0, 1	0	×
L8-55*9	Internal Braking Transistor Protection	0, 1	1	×	
L8-78*8	Power Unit Output Phase Loss Protection	0, 1	1	×	
L8-93	LSo Detection Time at Low Speed	0.0 to 10.0	1.0 s	×	
L8-94	LSo Detection Level at Low Speed	0 to 10	3%	×	
L8-95	Average LSo Frequency at Low Speed	1 to 50	10 times	×	
L9-03*9	Carrier Frequency Reduction Level Selection	0, 1	0	×	
Hunting Prevention	n1-01	Hunting Prevention Selection	0, 1	1	×
	n1-02	Hunting Prevention Gain Setting	0.00 to 2.50	1.00	×
	n1-03	Hunting Prevention Time Constant	0 to 500	*4	×
	n1-05	Hunting Prevention Gain while in Reverse	0.00 to 2.50	0.00	×
Speed Feedback Detection Control (AFR) Tuning	n2-01	Speed Feedback Detection Control (AFR) Gain	0.00 to 10.00	1.00	×
	n2-02	Speed Feedback Detection Control (AFR) Time Constant 1	0 to 2000	50 ms	×
	n2-03	Speed Feedback Detection Control (AFR) Time Constant 2	0 to 2000	750 ms	×
High Slip Braking and Overexcitation Braking	n3-01	High-Slip Braking Deceleration Frequency Width	1 to 20	5%	×
	n3-02	High-Slip Braking Current Limit	100 to 200	*2	×
	n3-03	High-Slip Braking Dwell Time at Stop	0.0 to 10.0	1.0 s	×
	n3-04	High-Slip Braking Overload Time	30 to 1200	40 s	×
	n3-13	Overexcitation Deceleration Gain	1.00 to 1.40	1.10	×
	n3-14	High Frequency Injection during Overexcitation Deceleration	0, 1	0	×
	n3-21	High-Slip Suppression Current Level	0 to 150	100%	×
	n3-23	Overexcitation Operation Selection	0 to 2	0	×

Note: Footnotes are listed on page 23.



Function	No.	Name	Range	Default	Changes during Run
Feed Forward Control	n5-01	Feed Forward Control Selection	0, 1	0	×
	n5-02	Motor Acceleration Time	0.001 to 10.000	*2 dep. on E5-01	×
	n5-03	Feed Forward Control Gain	0.00 to 100.00	1.00	×
Online Tuning	n6-01	Online Tuning Selection	0 to 2	0	×
	n6-05	Online Tuning Gain	0.1 to 50.0	1.0	×
PM Motor Control Tuning	n8-01	Initial Rotor Position Estimation Current	0 to 100	50%	×
	n8-02	Pole Attraction Current	0 to 150	80%	×
	n8-11*9	Induction Voltage Estimation Gain 2	0.0 to 1000.0	dep. on n8-72	×
	n8-14*9	Polarity Compensation Gain 3	0.000 to 10.000	1.000	×
	n8-15*9	Polarity Compensation Gain 4	0.000 to 10.000	0.500	×
	n8-21*9	Motor Ke Gain	0.80 to 1.00	0.90	×
	n8-35	Initial Rotor Position Detection Selection	0 to 2	1	×
	n8-36*9	High Frequency Injection Level	200 to 1000	500 Hz	×
	n8-37*9	High Frequency Injection Amplitude	0.0 to 50.0	20.0%	×
	n8-39*9	Low Pass Filter Cutoff Frequency for High Frequency Injection	0 to 1000	50 Hz	×
	n8-45	Speed Feedback Detection Control Gain	0.00 to 10.00	0.80	×
	n8-47	Pull-In Current Compensation Time Constant	0.0 to 100.0	5.0 s	×
	n8-48	Pull-In Current	20 to 200	30%	×
	n8-49	d-Axis Current for High Efficiency Control	-200.0 to 0.0	dep. on E5-01	×
	n8-51	Acceleration/Deceleration Pull-In Current	0 to 200	50%	×
	n8-54	Voltage Error Compensation Time Constant	0.00 to 10.00	1.00 s	×
	n8-55	Load Inertia	0 to 3	0	×
	n8-57	High Frequency Injection	0, 1	0	×
	n8-62	Output Voltage Limit	0.0 to 230.0*5	200.0 Vac*5	×
	n8-65	Speed Feedback Detection Control Gain during ov Suppression	0.00 to 10.00	1.50	×
n8-69	Speed Calculation Gain	0.00 to 20.00	1.00	×	
n8-72*9	Speed Estimation Method Selection	0, 1	1	×	
n8-84	Pole Detection Current	0 to 150	100%	×	
Digital Operator Display Selection	o1-01	Drive Mode Unit Monitor Selection	104 to 809	106	○
	o1-02	User Monitor Selection After Power Up	1 to 5	1	○
	o1-03	Digital Operator Display Selection	0 to 3	*3	×
	o1-04	V/f Pattern Display Unit	0, 1	*3	×
	o1-05*9	LCD Contrast Control	0 to 5	3	○
	o1-10	User-Set Display Units Maximum Value	1 to 60000	*2	×
o1-11	User-Set Display Units Decimal Display	0 to 3	*2	×	
Digital Operator Keypad Functions	o2-01	LO/RE Key Function Selection	0, 1	1	×
	o2-02	STOP Key Function Selection	0, 1	1	×
	o2-03	User Parameter Default Value	0 to 2	0	×
	o2-04	Drive Model Selection	-	dep. on drive capacity	×
	o2-05	Frequency Reference Setting Method Selection	0, 1	0	×
	o2-06	Operation Selection when Digital Operator is Disconnected	0, 1	0	×
	o2-07	Motor Direction at Power Up when Using Operator	0, 1	0	×
	o2-09	Reserved	-	-	×
	o2-09	Reserved	-	-	×
Copy Function	o3-01	Copy Function Selection	0 to 3	0	×
	o3-02	Copy Allowed Selection	0, 1	0	×
Maintenance Monitor Settings	o4-01	Cumulative Operation Time Setting	0 to 9999	0	×
	o4-02	Cumulative Operation Time Selection	0, 1	0	×
	o4-03	Cooling Fan Operation Time Setting	0 to 9999	0	×
	o4-05	Capacitor Maintenance Setting	0 to 150	0%	×
	o4-07	DC Bus Pre-charge Relay Maintenance Setting	0 to 150	0%	×

- *1: Parameter is not reset to the default value when the drive is initialized (A1-03).
- *2: Value depends on other related parameter settings. Refer to A1000 Technical Manual for details.
- *3: Default setting depends on the control mode (A1-02). Refer to A1000 Technical Manual for details.
- *4: Default setting depends on drive capacity (o2-04). Refer to A1000 Technical Manual for details.

Function	No.	Name	Range	Default	Changes during Run
Maintenance Monitor Settings	o4-09	IGBT Maintenance Setting	0 to 150	0%	×
	o4-11	U2, U3 Initialize Selection	0, 1	0	×
	o4-12	kWh Monitor Initialization	0, 1	0	×
	o4-13	Number of Run Commands Counter Initialization	0, 1	0	×
DWEZ Parameters	q1-01 to q6-07	DWEZ Parameters	-	-	×
	r1-01 to r1-40	DWEZ Connection Parameter 1 to 20 (upper/lower)	0 to FFFFH	0	×
Induction Motor Auto-Tuning	T1-00	Motor 1 / Motor 2 Selection	1, 2	1	×
	T1-01	Auto-Tuning Mode Selection	0 to 5, 8, 9*3*4	0	×
	T1-02	Motor Rated Power	0.00 to 650.00	*4	×
	T1-03	Motor Rated Voltage	0.0 to 255.0*5	200.0 Vac*5	×
	T1-04	Motor Rated Current	10% to 200% of the drive rated current	*4	×
	T1-05	Motor Base Frequency	0.0 to 400.0	60.0 Hz	×
	T1-06	Number of Motor Poles	2 to 48	4	×
	T1-07	Motor Base Speed	0 to 24000	1750 r/min	×
	T1-08	PG Number of Pulses Per Revolution	0 to 60000	600 ppr	×
	T1-09	Motor No-Load Current (Stationary Auto-Tuning)	0 to T1-04	-	-
	T1-10	Motor Rated Slip (Stationary Auto-Tuning)	0.00 to 20.00	-	-
	T1-11	Motor Iron Loss	0 to 65535	14 W*2	×
	T2-01	PM Motor Auto-Tuning Mode Selection	0 to 3, 8, 9, 11, 13, 14*3*4	0	×
	T2-02	PM Motor Code Selection	0000 to FFFF	*2	×
	T2-03	PM Motor Type	0,1	1	×
	T2-04	PM Motor Rated Power	0.00 to 650.00	*4	×
	T2-05	PM Motor Rated Voltage	0.0 to 255.0*5	200.0 Vac*5	×
T2-06	PM Motor Rated Current	10% to 200% of the drive rated current	*4	×	
T2-07	PM Motor Base Frequency	0.0 to 400.0	87.5 Hz	×	
T2-08	Number of PM Motor Poles	2 to 48	6	×	
T2-09	PM Motor Base Speed	0 to 24000	1750 r/min	×	
T2-10	PM Motor Stator Resistance	0.000 to 65.000	*7	×	
T2-11	PM Motor d-Axis Inductance	0.00 to 600.00	*7	×	
T2-12	PM Motor q-Axis Inductance	0.00 to 600.00	*7	×	
T2-13	Induced Voltage Constant Unit Selection	0,1	1	×	
T2-14	PM Motor Induced Voltage Constant	0.1 to 2000.0	*7	×	
T2-15	Pull-In Current Level for PM Motor Tuning	0 to 120	30%	-	
T2-16	PG Number of Pulses Per Revolution for PM Motor Tuning	0 to 15000	1024 ppr	-	
T2-17	Encoder Z Pulse Offset	-180.0 to +180.0	0.0 deg	×	
ASR and Inertia Tuning	T3-01	Test Signal Frequency	0.1 to 20.0	3.0 Hz	×
	T3-02	Test Signal Amplitude	0.1 to 10.0	0.5 rad	×
	T3-03	Motor Inertia	0.0001 to 600.00	*2 dep. on E5-01	×
	T3-04	System Response Frequency	0.1 to 50.0	10.0 Hz	×

- *5: Value shown here is for 200 V class drives. Double the value when using a 400 V class drive.
- *6: Value in parenthesis is the default setting for a 3-wire sequence.
- *7: Sets the value for a SST4 series 1750 r/min motor according to the capacity entered to T2-02.
- *8: This parameter is available in models CIMR-A...4A0930 and 4A1200.
- *9: This parameter is not available in models CIMR-A...4A0930 and 4A1200.

Basic Instructions

Outstanding operability and quick setup

Operator Names and Functions

Up arrow key
Scrolls up through the display screen, and increases a selected value.

ESC key
Lets the user back up to the previous display screen.

Right arrow key
Scrolls the cursor to the right.

RESET key
Resets a fault.

Glossary
Used as a quick guide for the abbreviations used on the display screen. Details listed on the next page.

Down arrow key
Scrolls down through the display screen, and decreases a selected value.

RUN key
Issues a Run command.

LED panel
More information listed below.

Data display (5-digit)
Displays frequency, parameter number, and other data.

LO/RE light
Lights to indicate that the operator is set for LOCAL.

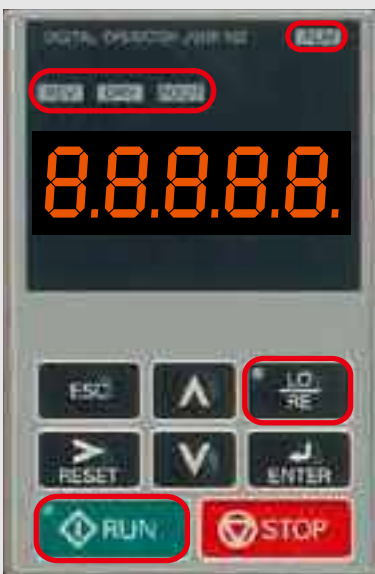
LO/RE key
Determines where the Run command and frequency reference come from: the keypad (LOCAL) or the control terminals (REMOTE).

ENTER key
Press to enter values, edit parameters, and set the control mode. Press this key to proceed to the next screen when scrolling through various menu displays.

STOP key
Issues a Stop command.

Com port
For connecting to a PC (DriveWizard or DriveWorksEZ), a USB copy unit or a LCD operator.

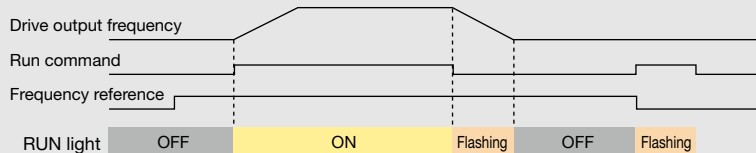
Lights during communications



LED Display Guide

LED	ON	Flashing	OFF
ALM	A fault has occurred.	<ul style="list-style-type: none"> Alarm situation detected. Operator error (OPE) 	Normal operation
REV	Motor is rotating in reverse.	—	Motor is rotating forward.
DRV	In the "Drive Mode"	—	Programming Mode
FOUT	Output frequency	—	—
RE	Run command assigned to the operator (LOCAL)	—	Control assigned to remote location
RUN	During run	<ul style="list-style-type: none"> During deceleration Run command is present but the frequency reference is zero. 	Drive is stopped.

How the RUN light works:



Operation Example

Using the LED Operator to Run the Drive

Steps	Key	Result/Display
1 Turn the power on.		F 0.00
2 Set the drive for LOCAL. The frequency reference is displayed.	RE	LO Should light F 0.00
3 Displays the direction (forward/reverse).	↑	For
4 Displays the output frequency.	↑	0.00
5 Displays the output current.	↑	0.00A
6 Displays the output voltage.	↑	0.00V
7 Displays the beginning of the Monitor Menu.	↑	flashing r7on
8 Displays the top of the Verify Menu.	↑	flashing urF4
9 Displays the top of the Setup Mode.	↑	flashing Srup
10 Displays the top of the parameter settings menu.	↑	Pr
11 Displays the top of the Auto-Tuning Mode.	↑	ArUn
Returns back to the frequency reference display.	↑	

Value will flash when it is possible to change the setting.

Drive Mode: Run and Stop commands, displays operation status such as the frequency reference, output frequency, output current, output voltage, etc.

How to Monitor the Frequency Reference

Steps	Key	Result/Display
Use the arrow keys to select the digits to set.	ENTER	F00.00
	RESET	F00.00
	↑ ↓	F06.00
Press enter to save the new value.	ENTER	F06.00 *End* appears while the drive saves the new data.
		DRV DRV lights up.

Monitor Mode: Displays operation status and information on faults.

Steps	Key	Result/Display
Select a monitor.	ENTER	U1-01
Displays U1-01, the frequency reference monitor.	ENTER	6.00
Select another monitor.	ESC	U1-01
	↑	U1-02
	⋮	⋮
	↑	U1-26
Back up to the top of the Monitor Menu.	ESC Press once.	r7on

Verify Menu: Lists all parameters that have been changed from their original default settings, either by the user or from Auto-Tuning.

Steps	Key	Result/Display
Lists parameters that have been changed in order.	ENTER	C1-01
Pressing Enter displays the parameter value.	ENTER	00030
Parameters that have been changed from their default values are listed in order.	ESC	C1-01
	↑	C1-02
	⋮	⋮
	↑	C6-02
Returns to the top of the Verify Menu	ESC Press once.	urF4

Press **ESC** to go back to the previous display screen

Setup Mode

The list of Applications Presets can be accessed in the Setup Mode. Each Application Preset automatically programs drive parameters to their optimal settings specific to the application selected. All parameters affected by the Application Preset are then listed as Preferred Parameters for quick access.

Selecting a Conveyor (A1-06=1)

Steps	Key	Result/Display
Application Selection	ENTER	APPL
	ENTER	00
	RESET	00
Select, "Conveyor".	↑	02
All parameters relating to the preset values for a Conveyor application are then listed as Preferred Parameters.	ENTER	*End* appears while the drive saves the new data. APPL
	↑	Scroll to the Preferred Parameter using the up arrow key and see which parameters have been selected.

Conveyor Application Presets

No.	Parameter Name	Optimum Setting
A1-02	Control Method Selection	0: V/f Control
C1-01	Acceleration Time 1	3.0 (s)
C1-02	Deceleration Time 1	3.0 (s)
C6-01	Duty Mode Selection	0: Heavy Duty (HD)
L3-04	Stall Prevention Selection during Deceleration	1: Enabled

Preferred Parameters

No.	Parameter Name	No.	Parameter Name
A1-02	Control Method Selection	C1-02	Deceleration Time 1
b1-01	Frequency Reference Selection 1	E2-01	Motor Rated Current
b1-02	Run Command Selection 1	L3-04	Stall Prevention Selection during Deceleration
C1-01	Acceleration Time 1	-	-

Parameter C6-01 sets the drive for Normal Duty or Heavy Duty performance (default).

200 V Class

ND : Normal Duty, HD : Heavy Duty

Model CIMR-A ¹ 2A		0004	0006	0008 ⁶	0010	0012	0018 ⁶	0021	0030	0040	0056	0069	0081	0110	0138	0169	0211	0250	0312	0360	0415	
Max. Applicable	ND	0.75	1.1	1.5	2.2	3	3.7	5.5	7.5	11	15	18.5	22	30	37	45	55	75	90	110	110	
Motor Capacity ^{*1} kW	HD	0.4	0.75	1.1	1.5	2.2	3	3.7	5.5	7.5	11	15	18.5	22	30	37	45	55	75	90	110	
Input	Rated Input	ND	3.9	7.3	8.8	10.8	13.9	18.5	24	37	52	68	80	92	111	136	164	200	271	324	394	394
	Current	A HD	2.9	5.8	7	7.5	11	15.6	18.9	28	37	52	68	80	82	111	136	164	200	271	324	394
Output	Rated Output	ND ^{*3}	1.3	2.3	3	3.7	4.6	6.7	8	11.4	15.2	21	26	31	42	53	64	80	95	119	137	158
	Capacity ^{*2} kVA	HD	1.2 ^{*4}	1.9 ^{*4}	2.6 ^{*4}	3 ^{*4}	4.2 ^{*4}	5.3 ^{*4}	6.7 ^{*4}	9.5 ^{*4}	12.6 ^{*4}	17.9 ^{*4}	23 ^{*4}	29 ^{*4}	32 ^{*4}	44 ^{*4}	55 ^{*5}	69 ^{*5}	82 ^{*5}	108 ^{*5}	132 ^{*5}	158 ^{*5}
	Rated Output	ND ^{*3}	3.5	6	8	9.6	12	17.5	21	30	40	56	69	81	110	138	169	211	250	312	360	415
	Current	A HD	3.2 ^{*4}	5 ^{*4}	6.9 ^{*4}	8 ^{*4}	11 ^{*4}	14 ^{*4}	17.5 ^{*4}	25 ^{*4}	33 ^{*4}	47 ^{*4}	60 ^{*4}	75 ^{*4}	85 ^{*4}	115 ^{*4}	145 ^{*5}	180 ^{*5}	215 ^{*5}	283 ^{*5}	346 ^{*5}	415 ^{*5}
Power	Overload Tolerance	ND Rating ^{*7} : 120% of rated output current for 60 s, HD Rating ^{*7} : 150% of rated output current for 60 s (Derating may be required for repetitive loads)																				
	Carrier Frequency	1 to 15 kHz ^{*7}										1 to 10 kHz ^{*7}										
	Max. Output Voltage	Three-phase 200 to 240 V (relative to input voltage)																				
	Max. Output Frequency	400 Hz ^{*7}																				
	Rated Voltage/Rated Frequency	Three-phase AC power supply: 200 to 240 Vac 50/60 Hz, DC power supply: 270 to 340 Vdc ^{*8}																				
	Allowable Voltage Fluctuation	-15% to +10%																				
Power	Allowable Frequency Fluctuation	±5%																				
	Power Supply ^{*9}	ND	1.8	3.3	4.0	4.9	6.4	8.5	11	17	24	31	37	42	51	62	75	91	124	148	180	215
	kVA	HD	1.3	2.7	3.2	3.4	5.0	7.1	8.6	13	17	24	31	37	37	51	62	75	91	124	148	180
Harmonic Suppression	DC Reactor	Option										Built-in										
Braking Function	Braking Transistor	Built-in										Option										

- *1: The motor capacity (kW) refers to a Yaskawa 4-pole, 60 Hz, 200 V motor. The rated output current of the drive output amps should be equal to or greater than the motor rated current.
- *2: Rated output capacity is calculated with a rated output voltage of 220 V.
- *3: This value assumes a carrier frequency of 2 kHz. Increasing the carrier frequency requires a reduction in current.
- *4: This value assumes a carrier frequency of 8 kHz. Increasing the carrier frequency requires a reduction in current.
- *5: This value assumes a carrier frequency of 5 kHz. Increasing the carrier frequency requires a reduction in current.
- *6: These models are available in Japan only.
- *7: Carrier frequency can be set by the user.
- *8: Not compliant with the UL standards when using a DC power supply. To meet CE standards, fuses should be installed. For details, refer to page 43.
- *9: Rated input capacity is calculated with a power line voltage of 240 V × 1.1.

400 V Class

ND : Normal Duty, HD : Heavy Duty

Model CIMR-A ¹ 4A		0002	0004	0005	0007	0009	0011	0018	0023	0031	0038	0044	0058	0072	0088	0103	0139	0165	0208	0250	0296	0362	0414	0515	0675	0930	1200	
Max. Applicable	ND	0.75	1.5	2.2	3	3.7	5.5	7.5	11	15	18.5	22	30	37	45	55	75	90	110	132	160	185	220	250	355	500	630	
Motor Capacity ^{*1} kW	HD	0.4	0.75	1.5	2.2	3	3.7	5.5	7.5	11	15	18.5	22	30	37	45	55	75	90	110	132	160	185	220	315	450	560	
Input	Rated Input	ND	2.1	4.3	5.9	8.1	9.4	14	20	24	38	44	52	58	71	86	105	142	170	207	248	300	346	410	465	657	922	1158
	Current	A HD	1.8	3.2	4.4	6	8.2	10.4	15	20	29	39	44	43	58	71	86	105	142	170	207	248	300	346	410	584	830	1031
Output	Rated Output	ND ^{*3}	1.6	3.1	4.1	5.3	6.7	8.5	13.3	17.5	24	29	34	44	55	67	78	106	126	159	191	226	276	316	392	514	709	915
	Capacity ^{*2} kVA	HD	1.4 ^{*4}	2.6 ^{*4}	3.7 ^{*4}	4.2 ^{*4}	5.5 ^{*4}	7 ^{*4}	11.3 ^{*4}	13.7 ^{*4}	18.3 ^{*4}	24 ^{*4}	30 ^{*4}	34 ^{*4}	46 ^{*4}	57 ^{*4}	69 ^{*4}	85 ^{*5}	114 ^{*5}	137 ^{*5}	165 ^{*5}	198 ^{*5}	232 ^{*5}	282 ^{*5}	343 ^{*5}	461 ^{*5}	617 ^{*5}	831 ^{*5}
	Rated Output	ND ^{*3}	2.1	4.1	5.4	6.9	8.8	11.1	17.5	23	31	38	44	58	72	88	103	139	165	208	250	296	362	414	515	675	930	1200
	Current	A HD	1.8 ^{*4}	3.4 ^{*4}	4.8 ^{*4}	5.5 ^{*4}	7.2 ^{*4}	9.2 ^{*4}	14.8 ^{*4}	18 ^{*4}	24 ^{*4}	31 ^{*4}	39 ^{*4}	45 ^{*4}	60 ^{*4}	75 ^{*4}	91 ^{*4}	112 ^{*5}	150 ^{*5}	180 ^{*5}	216 ^{*5}	260 ^{*5}	304 ^{*5}	370 ^{*5}	450 ^{*5}	605 ^{*5}	810 ^{*5}	1090 ^{*5}
Power	Overload Tolerance	ND Rating ^{*6} : 120% of rated output current for 60 s, HD Rating ^{*6} : 150% of rated output current for 60 s (Derating may be required for repetitive loads)																										
	Carrier Frequency	1 to 15 kHz ^{*6}										1 to 10 kHz ^{*6}							1 to 5 kHz ^{*6}									
	Max. Output Voltage	Three-phase 380 to 480 V (relative to input voltage)																										
	Max. Output Frequency	400 Hz ^{*6}																										
	Rated Voltage/Rated Frequency	Three-phase AC power supply: 380 to 480 Vac 50/60 Hz, DC power supply: 510 to 680 Vdc ^{*7}																										
	Allowable Voltage Fluctuation	-15% to +10%																										
Power	Allowable Frequency Fluctuation	±5%																										
	Power Supply ^{*8}	ND	1.9	3.9	5.4	7.4	8.6	12.8	18.3	22	35	40	48	53	65	79	96	130	155	189	227	274	316	375	425	601	843	1059
	kVA	HD	1.6	2.9	4.0	5.5	7.5	10	13.7	18.3	27	36	40	39	53	65	79	96	130	155	189	227	274	316	375	534	759	943
Harmonic Suppression	DC Reactor	Option										Built-in																
Braking Function	Braking Transistor	Built-in										Option																

- *1: The motor capacity (kW) refers to a Yaskawa 4-pole, 60 Hz, 400 V motor. The rated output current of the drive output amps should be equal to or greater than the motor rated current.
- *2: Rated output capacity is calculated with a rated output voltage of 440 V.
- *3: This value assumes a carrier frequency of 2 kHz. Increasing the carrier frequency requires a reduction in current.
- *4: This value assumes a carrier frequency of 8 kHz. Increasing the carrier frequency requires a reduction in current.
- *5: This value assumes a carrier frequency of 5 kHz. Increasing the carrier frequency requires a reduction in current.
- *6: Carrier frequency can be set by the user.
- *7: Not compliant with the UL standards when using a DC power supply. To meet CE standards, fuses should be installed. For details, refer to page 43.
- *8: Rated input capacity is calculated with a power line voltage of 480 V × 1.1.



Common Specifications

Item	Specifications	
Control Characteristics	Control Method	V/f Control, V/f Control with PG, Open Loop Vector Control, Closed Loop Vector Control, Open Loop Vector Control for PM, Advanced Open Loop Vector Control for PM, Closed Loop Vector Control for PM
	Frequency Control Range	0.01 to 400 Hz
	Frequency Accuracy (Temperature Fluctuation)	Digital reference: within $\pm 0.01\%$ of the max. output frequency (-10 to $+40^\circ\text{C}$) Analog reference: within $\pm 0.1\%$ of the max. output frequency ($25 \pm 10^\circ\text{C}$)
	Frequency Setting Resolution	Digital reference: 0.01 Hz, Analog reference: 0.03 Hz / 60 Hz (11 bit)
	Output Frequency Resolution	0.001 Hz
	Frequency Setting Resolution	Main frequency reference: -10 to $+10$ Vdc, 0 to 10 Vdc (20 k Ω), 4 to 20 mA (250 Ω), 0 to 20 mA (250 Ω) Main speed reference: Pulse train input (max. 32 kHz)
	Starting Torque	V/f Control 150%/3 Hz Open Loop Vector Control 200%/0.3 Hz*1 Open Loop Vector Control for PM 100%/5% speed Closed Loop Vector Control for PM 200%/0 min ⁻¹ *1 V/f Control with PG 150%/3 Hz Closed Loop Vector Control 200%/0 min ⁻¹ *1 Advanced Open Loop Vector Control for PM 200%/0 min ⁻¹ *1, *2, *3
	Speed Control Range	V/f Control 1:40 Open Loop Vector Control 1:200 Open Loop Vector Control for PM 1:20 Closed Loop Vector Control for PM 1:1500 V/f Control with PG 1:40 Closed Loop Vector Control 1:1500 Advanced Open Loop Vector Control for PM 1:100*2, *3, *4
	Speed Control Accuracy*5	$\pm 0.2\%$ in Open Loop Vector Control ($25 \pm 10^\circ\text{C}$), $\pm 0.02\%$ in Closed Loop Vector Control ($25 \pm 10^\circ\text{C}$)
	Speed Response	10 Hz in Open Loop Vector Control ($25 \pm 10^\circ\text{C}$), 50 Hz in Closed Loop Vector Control ($25 \pm 10^\circ\text{C}$) (excludes temperature fluctuation when performing Rotational Auto-Tuning)
	Torque Limit	All vector control modes allow separate settings in four quadrants
	Accel/Decel Time	0.00 to 6000.0 s (4 selectable combinations of independent acceleration and deceleration settings)
	Braking Torque*6	① Short-time decel torque*7: over 100% for 0.4/ 0.75 kW motors, over 50% for 1.5 kW motors, and over 20% for 2.2 kW and above motors (Overexcitation Deceleration, High Slip Braking: approx. 40%) ② Continuous regen. torque: approx. 20% (approx. 125% with dynamic braking resistor option*8: 10% ED, 10 s)
	V/f Characteristics	User-selected programs and V/f preset patterns possible
Main Control Functions	Torque Control, Droop Control, Speed/Torque Control switch, Feed Forward Control, Zero Servo Control, Momentary Power Loss Ride-Thru, Speed Search, Overtorque detection, torque limit, 17 Step Speed (max.), accel/dec time switch, S-curve accel/dec, 3-wire sequence, Auto-Tuning (rotational, stationary), Online Tuning, Dwell, cooling fan on/off switch, slip compensation, torque compensation, Frequency Jump, Upper/lower limits for frequency reference, DC Injection Braking at start and stop, Overexcitation Deceleration, High Slip Braking, PID control (with Sleep function), Energy Saving Control, MEMOBUS/Modbus (RTU mode) comm. (RS-485/422, max. 115.2 kbps), Fault Restart, Application Presets, DriveWorksEZ (customized functions), Removable Terminal Block with Parameter Backup...	
Protection Function	Motor Protection	Motor overheat protection based on output current
	Momentary Overcurrent Protection	Drive stops when output current exceeds 200%*9 of the HD output current.
	Overload Protection	Drive stops after 60 s at 150% of rated output current (when set for Heavy Duty performance)*10
	Overvoltage Protection	200 V class: Stops when DC bus exceeds approx. 410 V, 400 V class: Stops when DC bus exceeds approx. 820 V
	Undervoltage Protection	200 V class: Stops when DC bus exceeds approx. 190 V, 400 V class: Stops when DC bus exceeds approx. 380 V (approx. 350 V when the power supply voltage is less than 400 V)
	Momentary Power Loss Ride-Thru	Stops immediately after 15 ms or longer power loss (default). Continuous operation during power up to 2 s (standard).*11
	Heatsink Overheat Protection	Thermistor
	Braking Resistance Overheat Protection	Overheat sensor for braking resistor (optional ERF type, 3% ED)
	Stall Prevention	Stall prevention during acceleration/deceleration and constant speed operation
	Ground Fault Protection	Protection by electronic circuit *12
Charge LED	Charge LED remains lit until DC bus has fallen below approx. 50 V	
Environment	Area of Use	Indoors
	Ambient Temperature	-10 to $+50^\circ\text{C}$ (open-chassis), -10 to $+40^\circ\text{C}$ (enclosure)
	Humidity	95% RH or less (no condensation)
	Storage Temperature	-20 to $+60^\circ\text{C}$ (short-term temperature during transportation)
	Altitude	Up to 1000 meters (derating required at altitudes from 1000 m to 3000 m)
Shock	10 Hz to 20 Hz, 9.8 m/s ² max. (5.9 m/s ² for models larger than 400 V 450 kW (when set for Heavy Duty performance)) 20 Hz to 55 Hz, 5.9 m/s ² (200 V: 45 kW or more, 400 V: 75 kW or more (when set for Heavy Duty performance)) or 2.0 m/s ² max. (200 V: 55 kW or less, 400 V: 90 kW or less (when set for Heavy Duty performance))	
Standards Compliance	· UL508C · IEC/EN61800-3, IEC/EN61800-5-1 · Two Safe Disable inputs and 1EDM output according to ISO/EN13849-1 Cat.3 PLd, IEC/EN61508 SIL2	
Protection Design	IP00 open-chassis, UL Type 1 enclosure *13	

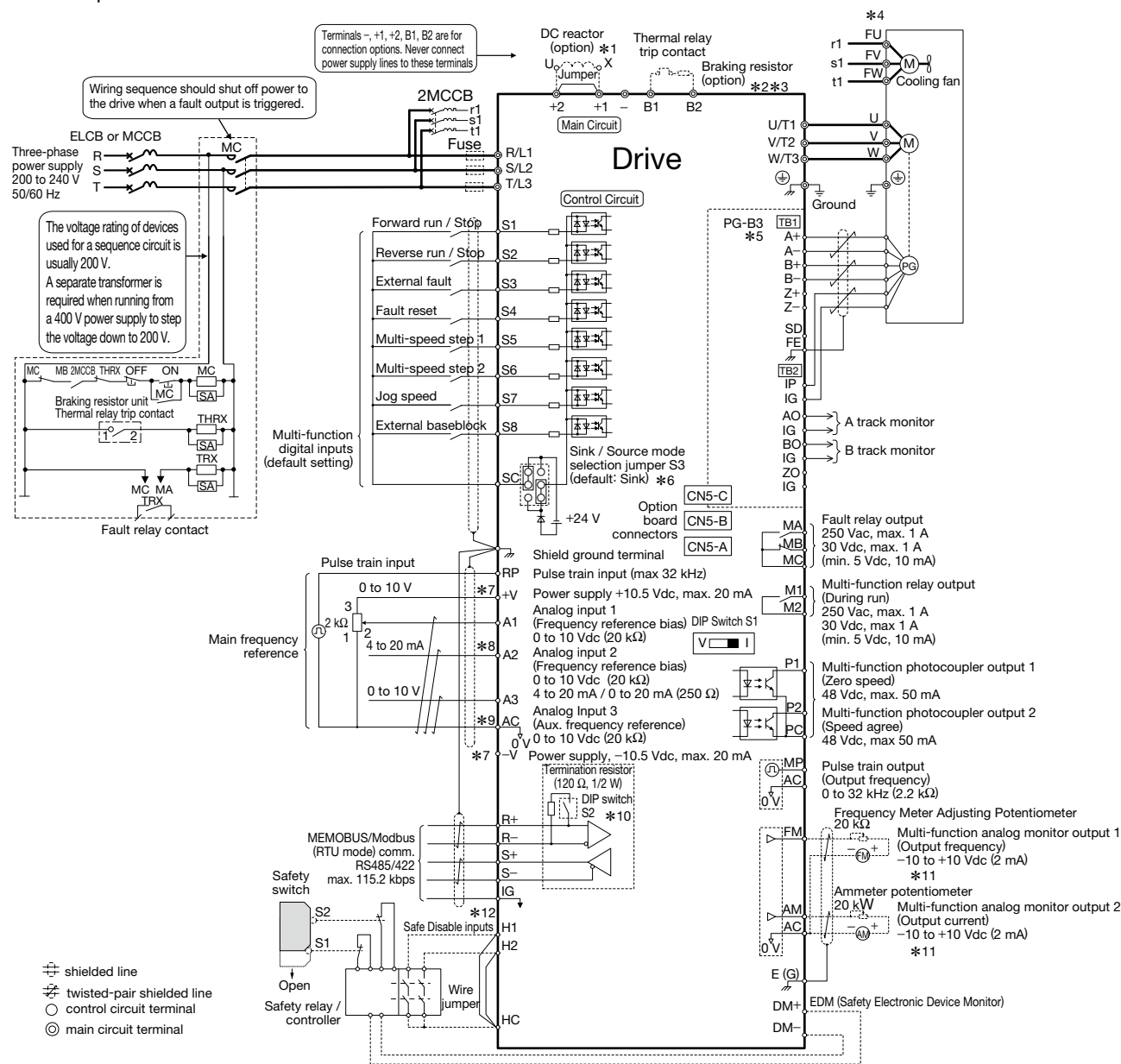
*1: The capacity of the drive and motor must be considered to achieve this torque output.
 *2: Valid when high frequency injection is enabled (n8-57=1).
 *3: Rotational Auto-Tuning must be performed to achieve the performance described with Advanced Open Loop Vector Control for PM.
 *4: Contact your Yaskawa or nearest agent when not using SSR1 series or SST4 series motors manufactured by Yaskawa Motor Co., Ltd.
 *5: Speed control accuracy may vary slightly depending on installation conditions or motor used. Contact Yaskawa for consultation.
 *6: Varies by motor characteristics.
 *7: Momentary average deceleration torque refers to the deceleration torque from 60 Hz down to 0 Hz. This may vary depending on the motor.
 *8: Set L3-04 to 0 [Stall Prevention during Decel = Disabled] when using a braking unit, a braking resistor, or a braking resistor unit. If L3-04 is set to 1 [Enabled] (default setting), the drive may not stop within the specified deceleration time. Drives of 200/400 V 30 kW (CIMR-A□2A0138/A□4A0072) or less have a built-in braking transistor.
 *9: 200% is the target value. The value varies depending on the capacity.
 *10: Overload protection may be triggered when operating with 150% of the rated output current if the output frequency is less than 6 Hz.
 *11: Varies in accordance with drive capacity and load. Drives with a capacity of smaller than 11 kW in the 200 V (model: CIMR-A□2A0056) or 400 V (model: CIMR-A□4A0031) require a separate Momentary Power Loss Recovery Unit to continue operating during a momentary power loss of 2 s or longer.
 *12: Protection is provided when the motor is grounded during Run. Protection may not be provided under the following conditions:
 · Low resistance to ground from the motor cable or terminal block.
 · Drive already has a short-circuit when the power is turned on.
 *13: Removing the cover of changes the drive's UL Type 1 rating to IP20 (models 2A0004 to 2A0081 and 4A0002 to 4A0044).



Standard Connection Diagram

Standard Connection Diagram

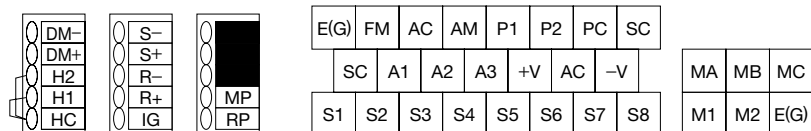
Example: 200 V Class 3.7 kW



- *1: Remove the jumper when installing a DC reactor. Certain models come with a built-in DC reactor: CIMR-2A0110 and above, CIMR-4A0058 and above.
- *2: Set L3-04 to 0 [Stall Prevention during Decel = Disabled] when using a braking unit, a braking resistor, or a braking resistor unit. If L3-04 is set to 1 [Enabled] (default setting), the drive may not stop within the specified deceleration time.
- *3: Enable the drive's braking resistor overload protection by setting L8-01 = 1 when using ERF type braking resistors. Wire the thermal overload relay between the drive and the braking resistor and connect this signal to a drive digital input. Use this input to trigger a fault in the drive in case of a braking resistor overload.
- *4: Self-cooling motors do not require wiring that would be necessary with motors using a cooling fan.
- *5: For control modes that do not use a motor speed feedback signal, PG option card wiring is not necessary.
- *6: This figure shows an example of a sequence input to S1 through S8 using a non-powered relay or an NPN transistor (0 V common/sink mode: default). When sequence connections by PNP transistor (+24 V common/source mode) or preparing an external +24 V power supply, refer to A1000 Technical Manual for details.
- *7: The maximum output current capacity for the +V and -V terminals on the control circuit is 20 mA. Never short terminals +V, -V, and AC, as this can cause erroneous operation or damage the drive.
- *8: Set DIP switch S1 to select between a voltage or current input signal to terminal A2. The default setting is for voltage input.
- *9: Never connect to the AC terminal ground or chassis. This can result in erroneous operation or cause a fault.
- *10: Enable the termination resistor in the last drive in a MEMOBUS/Modbus (RTU mode) network by setting DIP switch S2 to the ON position.
- *11: Monitor outputs work with devices such as analog frequency meters, ammeters, voltmeters, and wattmeters. Do not use these outputs in a feedback loop.
- *12: Disconnect the wire jumper between HC - H1 and HC - H2 when utilizing the Safe Disable input.
 - The sink/source setting for the Safe Disable input is the same as with the sequence input. Jumper S3 has the drive set for an external power supply. When not using the Safe Disable input feature, remove the jumper shorting the input and connect an external power supply.
 - Time from input open to drive output stop is less than 1 ms. The wiring distance for the Safe Disable inputs should not exceed 30 m.

Note: When an Application Preset is selected, the drive I/O terminal functions change.

Control Circuit and Serial Communication Circuit Terminal Layout



Terminal Functions

Main Circuit Terminals

Max. Applicable Motor Capacity indicates Heavy Duty

Voltage		200 V			400 V		
Model CIMR-AA:	2A0004 to 2A0081	2A0110, 2A0138	2A0169 to 2A0415	4A0002 to 4A0044	4A0058, 4A0072	4A0088 to 4A1200	
Max. Applicable Motor Capacity kW	0.4 to 18.5	22, 30	37 to 110	0.4 to 18.5	22, 30	37 to 560	
R/L1, S/L2, T/L3	Main circuit input power supply			Main circuit input power supply			
U/T1, V/T2, W/T3	Drive output			Drive output			
B1, B2	Braking resistor unit		–	Braking resistor unit		–	
–	·DC reactor (+1, +2)	DC power supply (+1, –)*	DC power supply (+1, –)* Braking unit (+3, –)	·DC reactor (+1, +2)	DC power supply (+1, –)*	DC power supply (+1, –)* Braking unit (+3, –)	
+1	·DC power supply (+1, –)*			·DC power supply (+1, –)*			
+2	–			–			
+3	–			–			
⊕	Ground terminal (100 Ω or less)			Ground terminal (10 Ω or less)			

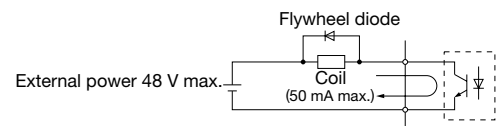
*: DC power supply input terminals (+1, –) are not UL and CE certified.

Control Circuit Input Terminals (200 V/400 V Class)

Terminal Type	Terminal	Signal Function	Description	Signal Level
Multi-Function Digital Input	S1	Multi-function input selection 1	Closed: Forward run (default) Open: Stop (default)	Photocoupler 24 Vdc, 8 mA
	S2	Multi-function input selection 2	Closed: Reverse run (default) Open: Stop (default)	
	S3	Multi-function input selection 3	External fault, N.O. (default)	
	S4	Multi-function input selection 4	Fault reset (default)	
	S5	Multi-function input selection 5	Multi-step speed reference 1 (default)	
	S6	Multi-function input selection 6	Multi-step speed reference 2 (default)	
	S7	Multi-function input selection 7	Jog frequency (default)	
	S8	Multi-function input selection 8	Closed: External baseblock	
	SC	Multi-function input selection common	Multi-function input selection common	
Main Frequency Reference Input	RP	Multi-function pulse train input	Frequency reference (default) (H6-01 = 0)	0 to 32 kHz (3 kΩ)
	+V	Setting power supply	+10.5 V power supply for analog reference (20 mA max.)	
	–V	Setting power supply	–10.5 V power supply for analog reference (20 mA max.)	
	A1	Multi-function analog input 1	–10 to +10 Vdc for –100 to 100%, 0 to 10 Vdc for 0 to 100% (impedance 20 kΩ), Main frequency reference (default)	
	A2	Multi-function analog input 2	DIP switch S1 sets the terminal for a voltage or current input signal –10 to +10 Vdc for –100 to +100%, 0 to 10 Vdc for 0 to 100% (impedance 20 kΩ) 4 to 20 mA for 0 to 100%, 0 to 20 mA for 0 to 100% (impedance 250 Ω) Added to the reference value of the analog frequency for the main frequency reference (default)	
	A3	Multi-function analog input 3	–10 to +10 Vdc for –100 to +100%, 0 to 10 Vdc for 0 to 100% (impedance 20 kΩ) Auxiliary frequency reference (default)	
	AC	Frequency reference common	0 V	
	E(G)	Connection to wire shielding and option card ground wire	–	
Multi-Function Photocoupler Output	P1	Multi-function photocoupler output (1)	Zero speed (default)	48 Vdc or less, 2 to 50 mA Photocoupler output*1
	P2	Multi-function photocoupler output (2)	Speed agree (default)	
	PC	Photocoupler output common	–	
Fault Relay Output	MA	N.O. output	Closed: Fault	Relay output 250 Vac or less, 10 mA to 1 A, 30 Vdc or less, 10 mA to 1 A Minimum load: 5 Vdc, 10 mA
	MB	N.C. output	Open: Fault	
	MC	Digital output common	–	
Multi-Function Digital Output*2	M1	Multi-function digital output	During run (default)	Minimum load: 5 Vdc, 10 mA
	M2		Closed: During run	
Monitor Output	MP	Pulse train input	Output frequency (default) (H6-06 = 102)	0 to 32 kHz (2.2 kΩ)
	FM	Multi-function analog monitor (1)	Output frequency (default)	0 to 10 Vdc for 0 to 100%
	AM	Multi-function analog monitor (2)	Output current (default)	–10 to 10 Vdc for –100 to 100%
	AC	Analog common	0 V	Resolution: 1/1000
Safety Input	H1	Safety input 1	24 Vdc 8 mA. One or both open: Output disabled. Both closed: Normal operation.	
	H2	Safety input 2	Internal impedance 3.3 kΩ, switching time at least 1 ms.	
	HC	Safety input common	Safety input common	
Safety Monitor Output	DM+	Safety monitor output	Outputs status of Safe Disable function. Closed	48 Vdc or less, 50 mA or less
	DM–	Safety monitor output common	when both Safe Disable channels are closed.	

*1: Connect a flywheel diode as shown below when driving a reactive load such as a relay coil. Diode must be rated higher than the circuit voltage.

*2: Refrain from assigning functions to terminals M1 and M2 that involve frequent switching, as doing so may shorten relay performance life. Switching life is estimated at 200,000 times (assumes 1 A, resistive load).



Serial Communication Terminals (200 V/400 V Class)

Classification	Terminal	Signal Function	Description	Signal Level
MEMOBUS/Modbus (RTU mode) Communications	R+	Communications input (+)	MEMOBUS/Modbus (RTU mode) communications: Use a RS-485 or RS-422 cable to connect the drive.	RS-422/485 MEMOBUS/Modbus (RTU mode) communications protocol 115.2 kbps (max.)
	R–	Communications input (–)		
	S+	Communications output (+)		
	S–	Communications output (–)		
	IG	Shield ground		

Enclosures

Enclosures of standard products vary depending on the model. Refer to the table below.

200 V Class

ND : Normal Duty, HD : Heavy Duty

Model CIMR-A-2A	0004	0006	0008	0010	0012	0018	0021	0030	0040	0056	0069	0081	0110	0138	0169	0211	0250	0312	0360	0415	
Max. Applicable	ND	0.75	1.1	1.5	2.2	3	3.7	5.5	7.5	11	15	18.5	22	30	37	45	55	75	90	110	110
Motor Capacity (kW)	HD	0.4	0.75	1.1	1.5	2.2	3	3.7	5.5	7.5	11	15	18.5	22	30	37	45	55	75	90	110
Enclosure Panel [UL Type 1]	Standard												Made to order*1					*2			
Open-Chassis	Remove top cover of wall-mount enclosure for IP20 rating												IP00 standard					Order-made			

400 V Class

ND : Normal Duty, HD : Heavy Duty

Model CIMR-A-4A	0002	0004	0005	0007	0009	0011	0018	0023	0031	0038	0044	0058	0072	0088	0103	0139	0165	0208	0250	0296	0362	0414	0515	0675	0930	1200	
Max. Applicable	ND	0.75	1.5	2.2	3	3.7	5.5	7.5	11	15	18.5	22	30	37	45	55	75	90	110	132	160	185	220	250	355	500	630
Motor Capacity (kW)	HD	0.4	0.75	1.5	2.2	3	3.7	5.5	7.5	11	15	18.5	22	30	37	45	55	75	90	110	132	160	185	220	315	450	560
Enclosure Panel [UL Type 1]	Standard												Made to order*1					*2									
Open-Chassis	Remove top cover of wall-mount enclosure for IP20 rating												IP00 standard					Order-made									

*1: Contact a Yaskawa for UL Type 1 Kit availability.

*2: UL Type 1 is not available for this capacity.

Enclosure Panel [UL Type 1]

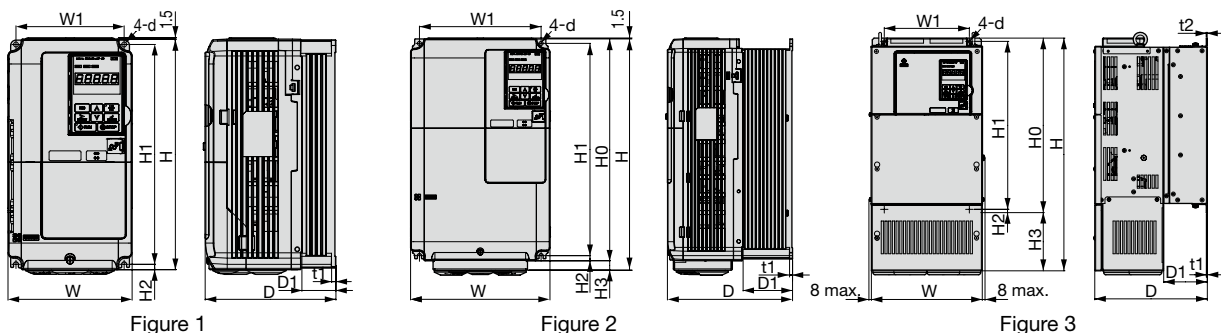


Figure 1

Figure 2

Figure 3

200 V Class

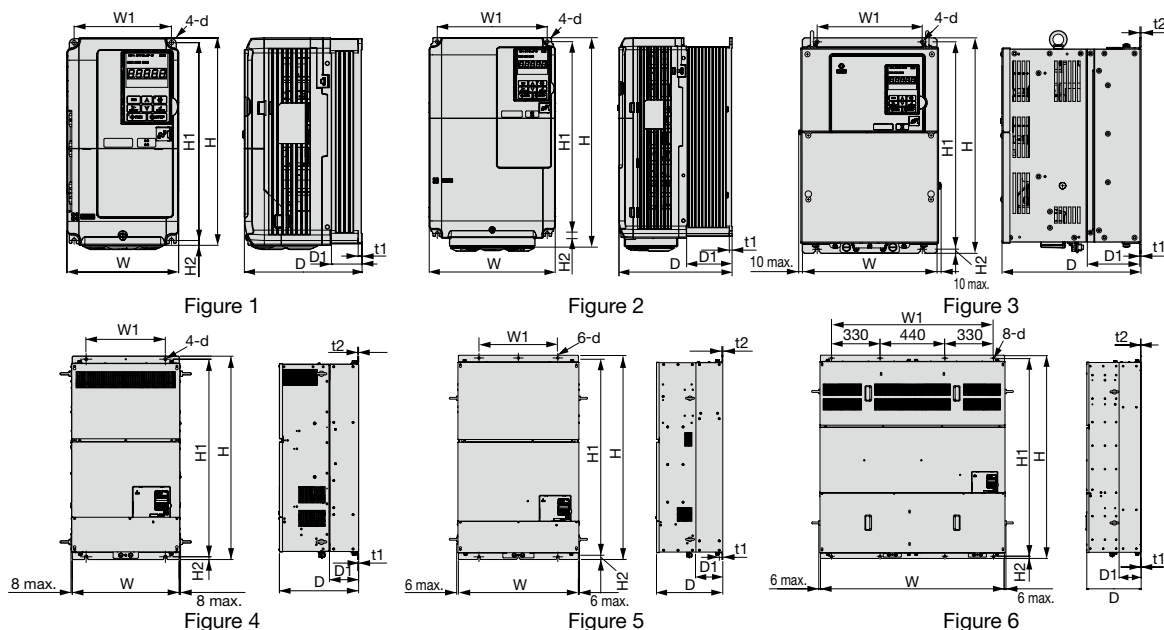
Model CIMR-A-2A	Max. Applicable Motor Capacity (kW)		Figure	Dimensions (mm)												Weight (kg)	Cooling														
	Normal Duty	Heavy Duty		W	H	D	W1	H0	H1	H2	H3	D1	t1	t2	d																
0004	0.75	0.4	1	140	260	147	122	-	248	6	-	38	5	-	M5	3.1	Self cooling														
0006	1.1	0.75																3.2													
0008	1.5	1.1																													
0010	2.2	1.5																													
0012	3.0	2.2																													
0018	3.7	3.0																													
0021	5.5	3.7																													
0030	7.5	5.5																													
0040	11	7.5																													
0056	15	11																1	180	300	187	160	-	284	8	-	75	5	-	M5	5.6
0069	18.5	15	8.7																												
0081	22	18.5																													
0110	30	22																													
0138	37	30																													
0169	45	37																													
0211	55	45																													
0250	75	55																													
0312	90	75																													
0360	110	90	2	220	350	197	192	-	335	8	-	78	5	-	M6	8.7	Fan cooled														
0081	22	18.5																9.7													
0110	30	22																													
0138	37	30																													
0169	45	37																													
0211	55	45																													
0250	75	55																													
0312	90	75																													
0360	110	90																													
0110	30	22																3	254	534	258	195	400	385	-	134	100	-	M6	23	Fan cooled
0138	37	30	28																												
0169	45	37																													
0211	55	45																													
0250	75	55																													
0312	90	75																													
0360	110	90																													
0138	37	30	3	279	614	258	220	450	435	7.5	164	100	-	M6	28	Fan cooled															
0169	45	37															41														
0211	55	45																													
0250	75	55																													
0312	90	75																													
0360	110	90																													
0138	37	30															3	329	730	283	260	550	535	-	180	110	-	M6	42	Fan cooled	
0169	45	37																													83
0211	55	45																													
0250	75	55																													
0312	90	75																													
0360	110	90																													
0138	37	30	3	456	960	330	325	705	680	12.5	255	130	3.2	M10	88	Fan cooled															
0169	45	37																													108
0211	55	45																													
0250	75	55																													
0312	90	75																													
0360	110	90																													
0138	37	30															3	504	1168	350	370	800	773	13	368	130	4.5	M12	108	Fan cooled	
0169	45	37																													
0211	55	45																													
0250	75	55																													
0312	90	75																													
0360	110	90																													

400 V Class

Model CIMR-A-4A	Max. Applicable Motor Capacity (kW)		Figure	Dimensions (mm)												Weight (kg)	Cooling	
	Normal Duty	Heavy Duty		W	H	D	W1	H0	H1	H2	H3	D1	t1	t2	d			
0002	0.75	0.4	1	140	260	147	122	-	248	6	-	38	5	-	M5	3.2	Self cooling	
0004	1.5	0.75																3.4
0005	2.2	1.5																
0007	3.0	2.2																
0009	3.7	3.0																
0011	5.5	3.7																
0018	7.5	5.5																
0023	11	7.5																
0031	15	11																
0038	18.5	15																1
0058	22	18.5	5.7															
0072	30	22																
0088	37	30																
0103	45	37																
0139	55	45																
0165	75	55																
0208	90	75																
0250	110	90																
0296	132	110	2	254	465	258	195	400	385	-	65	100	-	M6	23	Fan cooled		
0362	185	160															27	
0002	0.75	0.4																3.5
0004	1.5	0.75																
0005	2.2	1.5																
0007	3.0	2.2																
0009	3.7	3.0																
0011	5.5	3.7																
0018	7.5	5.5																
0023	11	7.5																
0031	15	11																
0038	18.5	15																
0044	22	18.5																
0058	30	22																
0072	37	30																
0088	45	37																
0103	55	45																
0139	75	55																
0165	90	75																
0208	110	90																
0250	132	110																
0296	160	132																
0362	185	160																



■ Open-Chassis (IP00) Note: The enclosure type of figure 1 and figure 2 is IP20.



200 V Class

Model	Max. Applicable Motor Capacity (kW)		Figure	Dimensions (mm)										Weight (kg)	Cooling	
	CIMR-A-2A	Normal Duty		Heavy Duty	W	H	D	W1	H1	H2	D1	t1	t2			d
0004		0.75	0.4	1	140	260	147	122	248	6	38	5	-	M5	3.1	Self cooling
0006		1.1	0.75													
0008		1.5	1.1													
0010		2.2	1.5													
0012		3	2.2													
0018		3.7	3													
0021		5.5	3.7													
0030		7.5	5.5													
0040		11	7.5													
0056		15	11													
0069		18.5	15	2	220	350	197	192	335	8	78	5	-	M6	3.2	Fan cooled
0081		22	18.5													
0110		30	22													
0138		37	30													
0169		45	37													
0211		55	45													
0250		75	55													
0312		90	75													
0360		110	90													
0415		110	110													
				3	250	400	258	195	385	7.5	100	2.3	2.3	M6	21	Fan cooled
				4	325	550	283	260	535	7.5	110	2.3	2.3	M10	25	Fan cooled
				4	450	705	330	325	680	12.5	130	3.2	3.2	M10	37	Fan cooled
				4	450	705	330	325	680	12.5	130	3.2	3.2	M10	38	Fan cooled
				5	500	800	350	370	773	13	130	4.5	4.5	M12	76	Fan cooled
				6	1250	1380	370	1100	1345	15	150	4.5	4.5	M12	80	Fan cooled

400 V Class

Model	Max. Applicable Motor Capacity (kW)		Figure	Dimensions (mm)										Weight (kg)	Cooling	
	CIMR-A-3A	Normal Duty		Heavy Duty	W	H	D	W1	H1	H2	D1	t1	t2			d
0002		0.75	0.4	1	140	260	147	122	248	6	38	5	-	M5	3.2	Self cooling
0004		1.5	0.75													
0005		2.2	1.5													
0007		3	2.2													
0009		3.7	3													
0011		5.5	3.7													
0018		7.5	5.5													
0023		11	7.5													
0031		15	11													
0038		18.5	15													
0044		22	18.5	3	220	350	197	192	335	8	78	5	-	M6	3.4	Fan cooled
0058		30	22													
0072		37	30													
0088		45	37													
0103		55	45													
0139		75	55													
0165		90	75													
0208		110	90													
0250		132	110													
0296		160	132													
0362		185	160	4	250	400	258	195	385	7.5	100	2.3	2.3	M6	21	Fan cooled
0414		220	185													
0515		250	220													
0675		355	315													
0930		500	450													
1200		630	560													
				5	500	800	350	370	773	13	130	4.5	4.5	M12	25	Fan cooled
				6	670	1140	370	440	1110	15	150	4.5	4.5	M12	36	Fan cooled
				6	1250	1380	370	1100	1345	15	150	4.5	4.5	M12	41	Fan cooled
				6	1250	1380	370	1100	1345	15	150	4.5	4.5	M12	42	Fan cooled
				6	1250	1380	370	1100	1345	15	150	4.5	4.5	M12	42	Fan cooled
				6	1250	1380	370	1100	1345	15	150	4.5	4.5	M12	42	Fan cooled
				6	1250	1380	370	1100	1345	15	150	4.5	4.5	M12	42	Fan cooled
				6	1250	1380	370	1100	1345	15	150	4.5	4.5	M12	42	Fan cooled
				6	1250	1380	370	1100	1345	15	150	4.5	4.5	M12	42	Fan cooled
				6	1250	1380	370	1100	1345	15	150	4.5	4.5	M12	42	Fan cooled
				6	1250	1380	370	1100	1345	15	150	4.5	4.5	M12	42	Fan cooled
				6	1250	1380	370	1100	1345	15	150	4.5	4.5	M12	42	Fan cooled
				6	1250	1380	370	1100	1345	15	150	4.5	4.5	M12	42	Fan cooled
				6	1250	1380	370	1100	1345	15	150	4.5	4.5	M12	42	Fan cooled
				6	1250	1380	370	1100	1345	15	150	4.5				



Fully-Enclosed Design and Drive Watts Loss Data

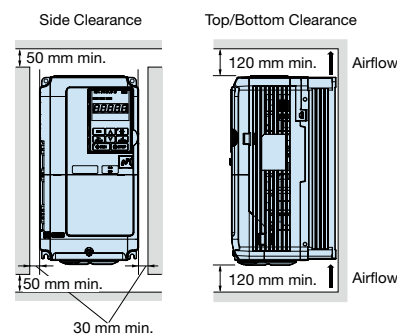
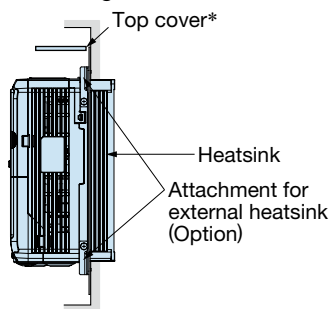
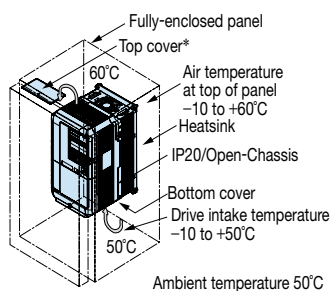
The Open-Chassis type drive can be installed in a fully-enclosed panel.

An open-chassis model in a protective enclosure with the heatsink inside the panel allows for intake air temperature up to 50°C.

The heatsink can alternatively be mounted outside the enclosure panel, thus reducing the amount of heat inside the panel and allowing for a more compact set up.

Current derating or other steps to ensure cooling are required at 50°C

- Cooling Design for Fully-Closed Enclosure Panel
- Mounting the External Heatsink
- Ventilation Space



*: Enclosure panel (CIMR-A□2A0004 to 0081, CIMR-A□4A0002 to 0044) can be installed with the top and bottom covers removed.

For installing the drive with capacity of 200 V class 22 kW or 400 V class 22kW, be sure to leave enough clearance during installation for suspension eye bolts on both side of the unit and main circuit wiring for maintenance.

Drive Watts Loss Data

200 V Class Normal Duty Ratings

Model Number		0004	0006	0008	0010	0012	0018	0021	0030	0040	0056	0069	0081	0110	0138	0169	0211	0250	0312	0360	0415	
CIMR-A□2A□□□□□□□□																						
Max. Applicable Motor Capacity	kW	0.75	1.1	1.5	2.2	3	3.7	5.5	7.5	11	15	18.5	22	30	37	45	55	75	90	110	110	
Rated Output Current	A	3.5	6	8	9.6	12	17.5	21	30	40	56	69	81	110	138	169	211	250	312	360	415	
Carrier Frequency	kHz	2	2	2	2	2	2	2	2	2	2	2	2	2	2	2	2	2	2	2	2	
Watts Loss*	Heatsink	W	18	31	43	57	77	101	138	262	293	371	491	527	718	842	1014	1218	1764	2020	2698	2672
	Internal	W	47	51	52	58	64	67	83	117	144	175	204	257	286	312	380	473	594	665	894	954
	Total Watts Loss	W	65	82	95	115	141	168	221	379	437	546	696	784	1004	1154	1394	1691	2358	2685	3592	3626

400 V Class Normal Duty Ratings

Model Number		0002	0004	0005	0007	0009	0011	0018	0023	0031	0038	0044	0058	0072	0088	0103	0139	0165	0208	0250	0296	0362	0414	0515	0675	0930	1200	
CIMR-A□4A□□□□□□□□																												
Max. Applicable Motor Capacity	kW	0.75	1.5	2.2	3	3.7	5.5	7.5	11	15	18.5	22	30	37	45	55	75	90	110	132	160	185	220	250	355	500	630	
Rated Output Current	A	2.1	4.1	5.4	6.9	8.8	11.1	17.5	23	31	38	44	58	72	88	103	139	165	208	250	296	362	414	515	675	930	1200	
Carrier Frequency	kHz	2	2	2	2	2	2	2	2	2	2	2	2	2	2	2	2	2	2	2	2	2	2	2	2	2	2	
Watts Loss*	Heatsink	W	20	32	45	62	66	89	177	216	295	340	390	471	605	684	848	1215	1557	1800	2379	2448	3168	3443	4850	4861	8476	8572
	Internal	W	48	49	53	59	60	73	108	138	161	182	209	215	265	308	357	534	668	607	803	905	1130	1295	1668	2037	2952	3612
	Total Watts Loss	W	68	81	98	121	126	162	285	354	456	522	599	686	870	992	1205	1749	2225	2407	3182	3353	4298	4738	6518	6898	11428	12184

200 V Class Heavy Duty Ratings

Model Number		0004	0006	0008	0010	0012	0018	0021	0030	0040	0056	0069	0081	0110	0138	0169	0211	0250	0312	0360	0415	
CIMR-A□2A□□□□□□□□																						
Max. Applicable Motor Capacity	kW	0.4	0.75	1.1	1.5	2.2	3	3.7	5.5	7.5	11	15	18.5	22	30	37	45	55	75	90	110	
Rated Output Current	A	3.2	5	6.9	8	11	14	17.5	25	33	47	60	75	85	115	145	180	215	283	346	415	
Carrier Frequency	kHz	8	8	8	8	8	8	8	8	8	8	8	8	8	8	5	5	5	5	5	5	
Watts Loss*	Heatsink	W	15	24	35	43	64	77	101	194	214	280	395	460	510	662	816	976	1514	1936	2564	2672
	Internal	W	44	48	49	52	58	60	67	92	105	130	163	221	211	250	306	378	466	588	783	954
	Total Watts Loss	W	59	72	84	95	122	137	168	287	319	410	558	681	721	912	1122	1354	1980	2524	3347	3626

400 V Class Heavy Duty Ratings

Model Number		0002	0004	0005	0007	0009	0011	0018	0023	0031	0038	0044	0058	0072	0088	0103	0139	0165	0208	0250	0296	0362	0414	0515	0675	0930	1200	
CIMR-A□4A□□□□□□□□																												
Max. Applicable Motor Capacity	kW	0.4	0.75	1.5	2.2	3	3.7	5.5	7.5	11	15	18.5	22	30	37	45	55	75	90	110	132	160	185	220	315	450	560	
Rated Output Current	A	1.8	3.4	4.8	5.5	7.2	9.2	14.8	18	24	31	39	45	60	75	91	112	150	180	216	260	304	370	450	605	810	1090	
Carrier Frequency	kHz	8	8	8	8	8	8	8	8	8	8	8	8	8	8	5	5	5	5	5	5	5	5	2	2	2	2	
Watts Loss*	Heatsink	W	16	25	37	48	53	68	135	150	208	263	330	348	484	563	723	908	1340	1771	2360	2391	3075	3578	3972	4191	6912	7626
	Internal	W	45	46	49	53	55	61	86	97	115	141	179	170	217	254	299	416	580	541	715	787	985	1164	1386	1685	2455	3155
	Total Watts Loss	W	61	71	86	101	108	129	221	247	323	404	509	518	701	817	1022	1324	1920	2312	3075	3178	4060	4742	5358	5876	9367	10781

*: Watts loss is calculated in the following conditions:

-200 V class: Input voltage 220 V, power frequency 60 Hz, load ratio 100%

-400 V class: Input voltage 440 V, power frequency 60 Hz, load ratio 100%

Contact your Yaskawa or nearest agent when not calculating watts loss in the above conditions.

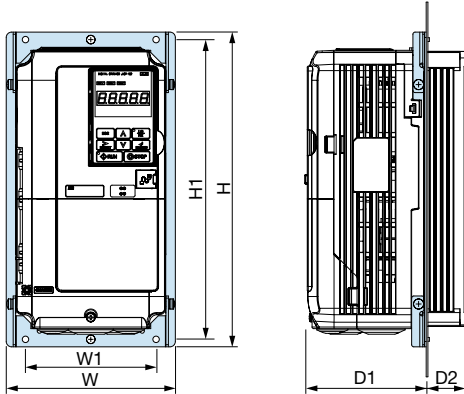
Attachment for External Heatsink

When the heatsink is installed outside the drive, additional attachments are required. Installing the additional attachments will extend the width and height of the drive.

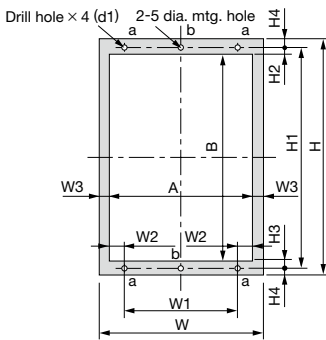
Additional attachments are not required for models CIMR-A□2A0110 and above, and CIMR-A□4A0058 and above because installing a heatsink outside the drive can be performed on these models by replacing their standard mounting feet.

Contact Yaskawa if an instruction manual is needed.

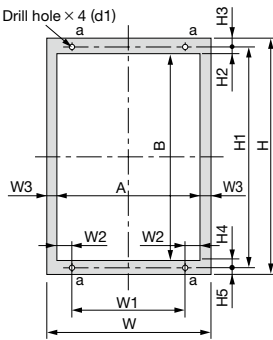
- Note: 1. Contact Yaskawa for information on attachments for earlier models.
 2. To meet UL standards, covers are required for each capacitor for models CIMR-A□2A0110 to 2A0415, CIMR-A□4A0058 to 4A1200. Contact Yaskawa for information on capacitor covers.



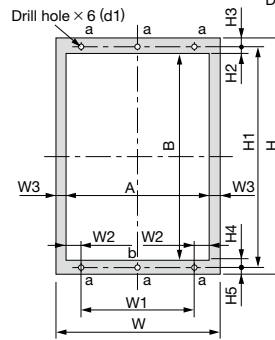
Panel Modification for External Heatsink



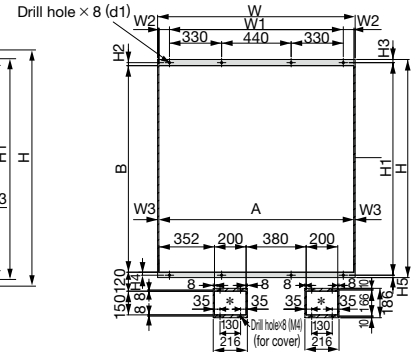
Modification Figure 1



Modification Figure 2



Modification Figure 3



Modification Figure 4

*: Panel opening needed to replace an air filter installed to the bottom of the drive. The opening should be kept as small as possible.

200 V Class

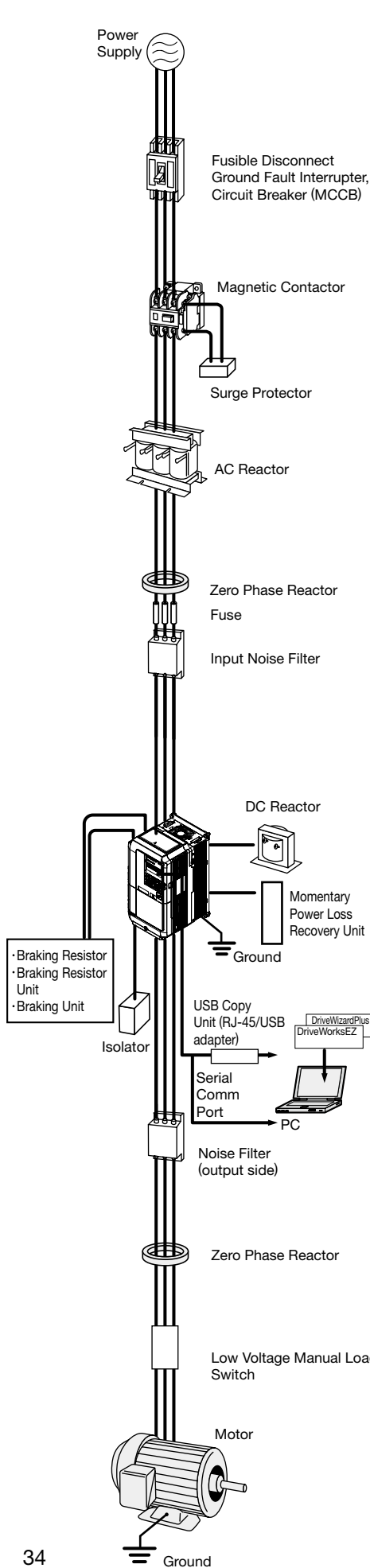
Model CIMR-A□2A	Modification Figure	Dimensions (mm)													
		W	H	W1	W2	W3	H1	H2	H3	H4	H5	A	B	d1	
0004	1														
0006															
0008															
0010															
0012		158	294	122	9	9	280	8.5	8.5	7	-	140	263	M5	
0018															
0021															
0030															
0040															
0056		198	329	160	10	9	315	17.5	10.5	7	-	180	287	M5	
0069	238	380	192	14	9	362	13	8	9	-	220	341			
0081															
0110	2	250	400	195	19.5	8	385	8	7.5	8	7.5	234	369	M6	
0138		275	450	220			435					259	419		
0169		325	550	260	24.5	8	535	8	7.5	8	7.5	309	519		
0211															
0250		450	705	325	54.5	8	680	12.5	12.5	12.5	12.5	434	655	M10	
0312															
0360		500	800	370	57	8	773	16	14	17	13	484	740	M12	
0415															

200 V Class

Model CIMR-A□2A	Dimension (mm)						Code No.				
	W	H	W1	H1	D1	D2					
0004											
0006											
0008	158	294	122	280			EZZ020800A				
0010						109		36.4			
0012											
0018									109	53.4	EZZ020800B
0021											
0030									112	53.4	
0040											
0056	198	329	160	315	112	73.4	EZZ020800C				
0069	238	380	192	362	119	76.4	EZZ020800D				
0081											

400 V Class

Model CIMR-A□4A	Dimension (mm)						Code No.				
	W	H	W1	H1	D1	D2					
0002											
0004											
0005	158	294	122	280			EZZ020800A				
0007											
0009										109	53.4
0011											
0018									112	53.4	
0023											
0031	198	329	160	315	112	53.4	EZZ020800C				
0038					112	73.4					
0044	238	380	192	362	119	76.4	EZZ020800D				



Name	Purpose	Model, Manufacturer	Page
Ground Fault Interrupter (GFI)	Always install a GFI on the power-supply side to protect the power supply system and to prevent an overload at the occurrence of shortcircuit, and to protect the drive from ground faults that could result in electric shock or fire. Note: When a GFI is installed for the upper power supply system, an MCCB can be used instead of a GFI. Choose a GFI designed to minimize harmonics specifically for AC drives. Use one GFI per drive, each with a current rating of at least 30 mA.	NV series* by Mitsubishi Electric Corporation NS Series* by Schneider Electric	36
Circuit Breaker	Always install a circuit breaker on the power-supply side to protect the power supply system and to prevent an overload at the occurrence of a short-circuit.	NF series* by Mitsubishi Electric Corporation	36
Magnetic Contactor	Interrupts the power supply to the drive. In addition to protecting drive circuitry, a magnetic contactor also prevents damage to a braking resistor if used.	SC series* by Fuji Electric FA Components & Systems Co., Ltd	37
Surge Protector	Absorbs the voltage surge from switching of electro-magnetic contactors and control relays. Install a surge protector to the magnetic contactors and control relays as well as magnetic valves and magnetic braking coil.	DCR2 series RFN series by Nippon Chemi-Con Corporation	37
DC Reactor	Improve the input power ratio of the drive. The DC reactor is a built-in model of 22 kW or more. Option: 18.5 kW or less.	UZDA series	38
AC Reactor	Used for harmonic current suppression and total improving power factor. Should be used if the power supply capacity is larger than 600 kVA. • Suppresses harmonic current • Improves the power factor of the input power supply	UZBA series	40
Zero Phase Reactor	Reduces noise from the line that enters into the drive input power system. Should be installed as close as possible to the drive. Can be used on both the input and output sides.	F6045GB F11080GB by Hitachi Metals, Ltd.	42
Fuse / Fuse Holder	Protects internal circuitry in the event of component failure. Fuse should be connected to the input terminal of the drive. Be sure to use a fuse or fuse holder for the CIMR-A□4A0930 or the CIMR-A□4A1200. Note: Refer to the instruction manual for information on UL approval.	CR2LS series CR6L series CM, CMS series by Fuji Electric FA Components & Systems Co., Ltd	43
Capacitor-Type Noise Filter	Reduces noise from the line that enters into the drive input power system. The noise filter can be used in combination with a zero-phase reactor. Note: Available for drive input only. Do not connect the noise filter to the output terminals.	3XYG 1003 by Okaya Electric Industries Co., Ltd.	43
Input Noise Filter	Reduces noise from the line that enters into the drive input power system. Should be installed as close as possible to the drive. Note: For CE Marking (EMC Directive) compliant models, refer to A1000 Technical Manual.	LNFD series LNFb series FN series	44
Output Noise Filter	Reduces noise from the line that enters into the drive input power system. Should be installed as close as possible to the drive.	LF series by NEC Tokin Corporation	46
Isolator	Isolates the drive I/O signal, and is effective in reducing inductive noise.	DGP2 series	47
Braking Resistor	Used to shorten the deceleration time by dissipating regenerative energy through a resistor. Usage 3% ED, requires a separate attachment.	ERF150WJ series CF120-B579 series	48
Attachment for Braking Resistor	A braking resistor can be attached to the drive.	EZZ020805A	53
External Heatsink Attachment for Braking Unit	Use the external heatsink attachment for installation with the heatsink outside the enclosure.	EZZ021711A	53
Braking Resistor Unit	Used to shorten the deceleration time by dissipating regenerative energy through a resistor unit (10% ED). A thermal overload relay is built in (10% ED).	LKEB series	48
Braking Unit	Shortened deceleration time results when used with a Braking Resistor Unit.	CDBR series	48
24 V Power Supply	Provides power supply for the control circuit and option boards. Note: Parameter settings cannot be changed when the drive is operating solely from this power supply.	PS-A10LB (200 V class) PS-A10HB (400 V class)	47
VS System Module	System control device that enables optimum system configuration by combining modules for automatic control system.	JGSM series	54
USB Copy Unit (RJ-45/USB compatible plug)	• Can copy parameter settings easily and quickly to be later transferred to another drive. • Adapter for connecting the drive to the USB port of a PC	JVOP-181	57
PC Cable	Connect the drive and PC when using DriveWizard or DriveWorksEZ. The cable length must be 3 m or less.	Commercially available USB2.0 A/B cable.	57
LCD Operator	For easier operation when using the optional LCD operator. Allows for remote operation. Includes a Copy function for saving drive settings.	JVOP-180	56
LCD Operator Extension Cable	Cable for connecting the LCD operator.	WV001: 1 m WV003: 3 m	56
Momentary Power Loss Recovery Unit	Ensures continuous drive operation for a power loss of up to 2 s.	P0010 Type (200 V class) P0020 Type (400 V class)	47
Frequency Meter, Current Meter		DCF-6A	58
Variable Resistor Board (20 k Ω)		ETX3120	58
Frequency Setting Potentiometer (2 k Ω)		RH000739	58
Frequency Meter Adjusting Potentiometer (20 k Ω)	Allows the user to set and monitor the frequency, current, and voltage using an external device.	RH000850	58
Control Dial for Frequency Setting Potentiometer		CM-3S	58
Output Voltage Meter		SCF-12NH	59
Voltage Transformer		UPN-B	59
Attachment for External Heatsink	Required for heatsink installation. Current derating may be needed when using a heatsink.	—	33
Low Voltage Manual Load Switch	Prevents shock from the voltage created on the terminals board from a coasting synchronous motor.	AICUT, LB series* by Aichi Electric Works Co., Ltd	—

*: Recommended by Yaskawa. Contact the manufacturer in question for availability and specifications of non-Yaskawa products.

Option Cards

These option cards are compliant with the RoHS Directive.

Type	Name	Model	Function	Manual No.
Speed Reference Card	Analog Input	AI-A3	Enables high-precision and high-resolution analog speed reference setting. <ul style="list-style-type: none"> Input signal level: -10 to +10 Vdc (20 kΩ) 4 to 20 mA (250 Ω) Input channels: 3 channels, DIP switch for input voltage/input current selection Input resolution: Input voltage 13 bit signed (1/8192) Input current 1/4096 	TOBPC73060078
	Digital Input	DI-A3	Enables 16-bit digital speed reference setting. <ul style="list-style-type: none"> Input signal: 16 bit binary, 2 digit BCD + sign signal + set signal Input voltage: 24 V (isolated) Input current: 8 mAa User-set: 8 bit, 12 bit, 16 bit 	TOBPC73060080
Communications Option Card	MECHATROLINK-II Interface	SI-T3	Used for running or stopping the drive, setting or referencing parameters, and monitoring output frequency, output current, or similar items through MECHATROLINK-II communication with the host controller.	TOBPC73060086 SIEPC73060086
	MECHATROLINK-III Interface	SI-ET3*	Used for running or stopping the drive, setting or referencing parameters, and monitoring output frequency, output current, or similar items through MECHATROLINK-III communication with the host controller.	TOBPC73060088 SIEPC73060088
	CC-Link Interface	SI-C3	Used for running or stopping the drive, setting or referencing parameters, and monitoring output frequency, output current, or similar items through CC-Link communication with the host controller.	TOBPC73060083 SIEPC73060083
	DeviceNet Interface	SI-N3	Used for running or stopping the drive, setting or referencing parameters, and monitoring output frequency, output current, or similar items through DeviceNet communication with the host controller.	TOBPC73060084 SIEPC73060084
	LONWORKS Interface	SI-W3	Used for HVAC control, running or stopping the drive, setting or referencing parameters, and monitoring output current, watt-hours, or similar items through LONWORKS communications with the host controller.	TOBPC73060093 SIEPC73060093
	PROFIBUS-DP Interface	SI-P3	Used for running or stopping the drive, setting or referencing parameters, and monitoring output frequency, output current, or similar items through CANopen communication with the host controller.	TOBPC73060082 SIEPC73060082
	CANopen Interface	SI-S3	Used for running or stopping the drive, setting or referencing parameters, and monitoring output frequency, output current, or similar items through CANopen communication with the host controller.	TOBPC73060085 SIEPC73060085
	EtherCAT Interface	SI-ES3	Used for running or stopping the drive, setting or referencing parameters, and monitoring output frequency, output current, or similar items through EtherCAT communication with the host controller.	TOBPC73060096 SIEPC73060096
	EtherNet/IP Interface	SI-EN3	Used for running or stopping the drive, setting or referencing parameters, and monitoring output frequency, output current, or similar items through EtherNet/IP communication with the host controller.	TOBPC73060092 SIEPC73060092
	Modbus TCP/IP Interface	SI-EM3	Used for running or stopping the drive, setting or referencing parameters, and monitoring output frequency, output current, or similar items through Modbus TCP/IP communication with the host controller.	TOBPC73060091 SIEPC73060091
Monitor Option Card	Analog Monitor	AO-A3	Outputs analog signal for monitoring drive output state (output freq., output current etc.). <ul style="list-style-type: none"> Output resolution: 11 bit signed (1/2048) Output voltage: -10 to +10 Vdc (non-isolated) Terminals: 2 analog outputs 	TOBPC73060040
	Digital Output	DO-A3	Outputs isolated type digital signal for monitoring drive run state (alarm signal, zero speed detection, etc.) <ul style="list-style-type: none"> Terminals: 6 photocoupler outputs (48 V, 50 mA or less) 2 relay contact outputs (250 Vac, 1 A or less 30 Vdc, 1 A or less) 	TOBPC73060041
PG Speed Controller Card	Complimentary Type PG	PG-B3	For control modes requiring a PG encoder for motor feedback. <ul style="list-style-type: none"> Phase A, B, and Z pulse (3-phase) inputs (complimentary type) Max. input frequency: 50 kHz Pulse monitor output: Open collector, 24 V, max. current 30 mA Power supply output for PG: 12 V, max. current 200 mA Note: Not available in Advanced Open Loop Vector for PM. 	TOBPC73060036
	Line Driver PG	PG-X3	For control modes requiring a PG encoder for motor feedback. <ul style="list-style-type: none"> Phase A, B, and Z pulse (differential pulse) inputs (RS-422) Max. input frequency: 300 kHz Pulse monitor output: RS-422 Power supply output for PG: 5 V or 12 V, max. current 200 mA 	TOBPC73060037
	Motor Encoder Feedback (EnDat, HIPERFACE) Interface	PG-F3	For control modes requiring a PG encoder for PM motor feedback. Encoder type: EnDat 2.1/01, EnDat 2.2/01, and EnDat 2.2/22 (HEIDENHAIN), HIPERFACE (SICK STEGMANN) Maximum input frequency: 20 kHz (Used with low-speed gearless motors.) Note: EnDat 2.2/22 does not have maximum input frequency. Wiring length: 20 m max. for the encoder, 30 m max. for the pulse monitor Pulse monitor: Matches RS-422 level Note: EnDat 2.2/22 is not available. [Encoder power supply: 5 V, max current 330 mA or 8 V, max current 150 mA] Use one of the following encoder cables. EnDat2.1/01, EnDat2.2/01 : 17-pin cable from HEIDENHAIN EnDat2.2/22 : 8-pin cable from HEIDENHAIN HIPERFACE : 8-pin cable from SICK STEGMANN Note: Not available for drive models CIMR-A□4A0930 and 4A1200.	TOBPC73060051
	Resolver Interface for TS2640N321E64	RG-RT3	For control modes requiring a PG encoder for motor feedback. Can be connected to the TS2640N321E64 resolver made by Tamagawa Seiki Co., Ltd. and electrically compatible resolvers. The representative electrical characteristics of the TS2640N321E64 are as follows. <ul style="list-style-type: none"> Input voltage: 7 Vac rms 10 kHz Transformation ratio: 0.5 ± 5% maximum input current: 100 mArms Wiring length: 10 m max. (100 m max. for the SS5 and SS7 series motor manufactured by Yaskawa Motor Co., and PG cables manufactured by Yaskawa Controls Co., Ltd.) 	TOBPC73060053

Note: 1. Each communication option card requires a separate configuration file to link to the network.
2. PG speed controller card is required for PG control.

*: Available in the A1000 software versions PRG: 1020 and later.
Contact Yaskawa for details.



Peripheral Devices and Options (continued)

Ground Fault Interrupter, Circuit Breaker

Device selection is based on the motor capacity. Make sure that the rated breaking capacity is higher than the short-circuit current for the power supply. Protect the wiring to withstand the short-circuit current for the power supply using a combination of fuses if the rated breaking capacity of the circuit breaker or ground fault interrupter is insufficient, such as when the power transformer capacity is large.



Ground Fault Interrupter
[Mitsubishi Electric Corporation]



Circuit Breaker
[Mitsubishi Electric Corporation]

200 V Class

Motor Capacity (kW)	Ground Fault Interrupter						Circuit Breaker					
	Without Reactor*1			With Reactor*2			Without Reactor*1			With Reactor*2		
	Model	Rated Current (A)	Interrupt Capacity (kA) Icu/Ics*3	Model	Rated Current (A)	Interrupt Capacity (kA) Icu/Ics*3	Model	Rated Current (A)	Interrupt Capacity (kA) Icu/Ics*3	Model	Rated Current (A)	Interrupt Capacity (kA) Icu/Ics*3
0.4	NV32-SV	5	10/10	NV32-SV	5	10/10	NF32-SV	5	7.5/7.5	NF32-SV	5	7.5/7.5
0.75	NV32-SV	10	10/10	NV32-SV	10	10/10	NF32-SV	10	7.5/7.5	NF32-SV	10	7.5/7.5
1.5	NV32-SV	15	10/10	NV32-SV	10	10/10	NF32-SV	15	7.5/7.5	NF32-SV	10	7.5/7.5
2.2	NV32-SV	20	10/10	NV32-SV	15	10/10	NF32-SV	20	7.5/7.5	NF32-SV	15	7.5/7.5
3.7	NV32-SV	30	10/10	NV32-SV	20	10/10	NF32-SV	30	7.5/7.5	NF32-SV	20	7.5/7.5
5.5	NV63-SV	50	15/15	NV63-SV	40	15/15	NF63-SV	50	15/15	NF63-SV	40	15/15
7.5	NV125-SV	60	50/50	NV63-SV	50	15/15	NF125-SV	60	50/50	NF63-SV	50	15/15
11	NV125-SV	75	50/50	NV125-SV	75	50/50	NF125-SV	75	50/50	NF125-SV	75	50/50
15	NV250-SV	125	85/85	NV125-SV	100	50/50	NF250-SV	125	85/85	NF125-SV	100	50/50
18.5	NV250-SV	150	85/85	NV250-SV	125	85/85	NF250-SV	150	85/85	NF250-SV	125	85/85
22	*4	—	—	NV250-SV	150	85/85	*4	—	—	NF250-SV	150	85/85
30	*4	—	—	NV250-SV	175	85/85	*4	—	—	NF250-SV	175	85/85
37	*4	—	—	NV250-SV	225	85/85	*4	—	—	NF250-SV	225	85/85
45	*4	—	—	NV400-SW	250	85/85	*4	—	—	NF400-CW	250	50/25
55	*4	—	—	NV400-SW	300	85/85	*4	—	—	NF400-CW	300	50/25
75	*4	—	—	NV400-SW	400	85/85	*4	—	—	NF400-CW	400	50/25
90	*4	—	—	NV630-SW	500	85/85	*4	—	—	NF630-CW	500	50/25
110	*4	—	—	NV630-SW	600	85/85	*4	—	—	NF630-CW	600	50/25

*1: The AC or DC reactor is not connected to the drive.

*2: The AC or DC reactor is connected to the drive.

*3: Icu: Rated ultimate short-circuit breaking capacity Ics: Rated service short-circuit breaking capacity

*4: 200 V models 22 kW and above come with a built-in DC reactor that improves the power factor.

400 V Class

Motor Capacity (kW)	Ground Fault Interrupter						Circuit Breaker					
	Without Reactor*1			With Reactor*2			Without Reactor*1			With Reactor*2		
	Model	Rated Current (A)	Interrupt Capacity (kA) Icu/Ics*3	Model	Rated Current (A)	Interrupt Capacity (kA) Icu/Ics*3	Model	Rated Current (A)	Interrupt Capacity (kA) Icu/Ics*3	Model	Rated Current (A)	Interrupt Capacity (kA) Icu/Ics*3
0.4	NV32-SV	5	5/5	NV32-SV	5	5/5	NF32-SV	3	2.5/2.5	NF32-SV	3	2.5/2.5
0.75	NV32-SV	5	5/5	NV32-SV	5	5/5	NF32-SV	5	2.5/2.5	NF32-SV	5	2.5/2.5
1.5	NV32-SV	10	5/5	NV32-SV	10	5/5	NF32-SV	10	2.5/2.5	NF32-SV	10	2.5/2.5
2.2	NV32-SV	15	5/5	NV32-SV	10	5/5	NF32-SV	15	2.5/2.5	NF32-SV	10	2.5/2.5
3.7	NV32-SV	20	5/5	NV32-SV	15	5/5	NF32-SV	20	2.5/2.5	NF32-SV	15	2.5/2.5
5.5	NV32-SV	30	5/5	NV32-SV	20	5/5	NF32-SV	30	2.5/2.5	NF32-SV	20	2.5/2.5
7.5	NV32-SV	30	5/5	NV32-SV	30	5/5	NF32-SV	30	2.5/2.5	NF32-SV	30	2.5/2.5
11	NV63-SV	50	7.5/7.5	NV63-SV	40	7.5/7.5	NF63-SV	50	7.5/7.5	NF63-SV	40	7.5/7.5
15	NV125-SV	60	25/25	NV63-SV	50	7.5/7.5	NF125-SV	60	25/25	NF63-SV	50	7.5/7.5
18.5	NV125-SV	75	25/25	NV125-SV	60	25/25	NF125-SV	75	25/25	NF125-SV	60	25/25
22	*5	—	—	NV125-SV	75	25/25	*5	—	—	NF125-SV	75	25/25
30	*5	—	—	NV125-SV	100	25/25	*5	—	—	NF125-SV	100	25/25
37	*5	—	—	NV250-SV	125	36/36	*5	—	—	NF250-SV	125	36/36
45	*5	—	—	NV250-SV	150	36/36	*5	—	—	NF250-SV	150	36/36
55	*5	—	—	NV250-SV	175	36/36	*5	—	—	NF250-SV	175	36/36
75	*5	—	—	NV250-SV	225	36/36	*5	—	—	NF250-SV	225	36/36
90	*5	—	—	NV400-SW	250	42/42	*5	—	—	NF400-CW	250	25/13
110	*5	—	—	NV400-SW	300	42/42	*5	—	—	NF400-CW	300	25/13
132	*5	—	—	NV400-SW	350	42/42	*5	—	—	NF400-CW	350	25/13
160	*5	—	—	NV400-SW	400	42/42	*5	—	—	NF400-CW	400	25/13
185	*5	—	—	NV630-SW	500	42/42	*5	—	—	NF630-CW	500	36/18
220	*5	—	—	NV630-SW	630	42/42	*5	—	—	NF630-CW	630	36/18
250	*5	—	—	NV630-SW	630	42/42	*5	—	—	NF630-CW	630	36/18
315	*5	—	—	NV800-SEW	800	42/42	*5	—	—	NF800-CEW	800	36/18
355	*5	—	—	NV800-SEW	800	42/42	*5	—	—	NF800-CEW	800	36/18
450	*5	—	—	NV1000-SB	1000	85	*5	—	—	NF1000-SEW	1000	85/43
500	*5	—	—	NV1200-SB	1200	85	*5	—	—	NF1250-SEW	1250	85/43
560	*5	—	—	NS1600H*4	1600	70	*5	—	—	NF1600-SEW	1600	85/43
630	*5	—	—	NS1600H*4	1600	70	*5	—	—	NF1600-SEW	1600	85/43

*1: The AC or DC reactor is not connected to the drive.

*2: The AC or DC reactor is connected to the drive.

*3: Icu: Rated ultimate short-circuit breaking capacity Ics: Rated service short-circuit breaking capacity

*4: NS series by Schneider Electric.

*5: 400 V models 22 kW and above come with a built-in DC reactor that improves the power factor.

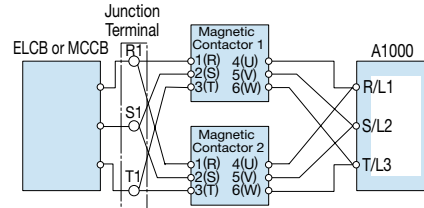
Magnetic Contactor

Base device selection on motor capacity.



Magnetic Contactor
[Fuji Electric FA Components & Systems Co., Ltd]

Wiring a Magnetic Contactor in Parallel



Note: When wiring contactors in parallel, make sure wiring lengths are the same to keep current flow even to the relay terminals.

200 V Class

Motor Capacity (kW)	Without Reactor*1		With Reactor*2	
	Model	Rated Current (A)	Model	Rated Current (A)
0.4	SC-03	11	SC-03	11
0.75	SC-05	13	SC-03	11
1.5	SC-4-0	18	SC-05	13
2.2	SC-N1	26	SC-4-0	18
3.7	SC-N2	35	SC-N1	26
5.5	SC-N2S	50	SC-N2	35
7.5	SC-N3	65	SC-N2S	50
11	SC-N4	80	SC-N4	80
15	SC-N5	93	SC-N4	80
18.5	SC-N5	93	SC-N5	93
22	*	—	SC-N6	125
30	*	—	SC-N7	152
37	*	—	SC-N8	180
45	*	—	SC-N10	220
55	*	—	SC-N11	300
75	*	—	SC-N12	400
90	*	—	SC-N12	400
110	*	—	SC-N14	600

*: 200 V models 22 kW and above come with a built-in DC reactor that improves the power factor.

400 V Class

Motor Capacity (kW)	Without Reactor*1		With Reactor*2	
	Model	Rated Current (A)	Model	Rated Current (A)
0.4	SC-03	7	SC-03	7
0.75	SC-03	7	SC-03	7
1.5	SC-05	9	SC-05	9
2.2	SC-4-0	13	SC-4-0	13
3.7	SC-4-1	17	SC-4-1	17
5.5	SC-N2	32	SC-N1	25
7.5	SC-N2S	48	SC-N2	32
11	SC-N2S	48	SC-N2S	48
15	SC-N3	65	SC-N2S	48
18.5	SC-N3	65	SC-N3	65
22	*5	—	SC-N4	80
30	*5	—	SC-N4	80
37	*5	—	SC-N5	90
45	*5	—	SC-N6	110
55	*5	—	SC-N7	150
75	*5	—	SC-N8	180
90	*5	—	SC-N10	220
110	*5	—	SC-N11	300
132	*5	—	SC-N11	300
160	*5	—	SC-N12	400
185	*5	—	SC-N12	400
220	*5	—	SC-N14	600
250	*5	—	SC-N14	600
315	*5	—	SC-N16	800
355	*5	—	SC-N16	800
450	*5	—	SC-N14 × 2*3	600*4
500	*5	—	SC-N14 × 2*3	600*4
560	*5	—	SC-N16 × 2*3	800*4
630	*5	—	SC-N16 × 2*3	800*4

*1: The AC or DC reactor is not connected to the drive.

*2: The AC or DC reactor is connected to the drive.

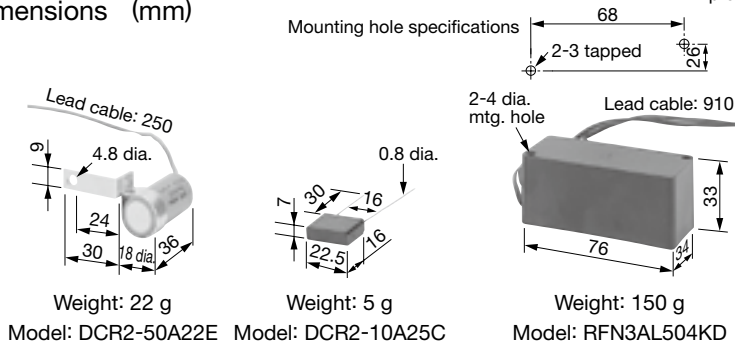
*3: When two units are connected in parallel.

*4: Rated current for a single unit.

*5: 400 V models 22 kW and above come with a built-in DC reactor that improves the power factor.

Surge Protector

Dimensions (mm)



Weight: 22 g Model: DCR2-50A22E
 Weight: 5 g Model: DCR2-10A25C
 Weight: 150 g Model: RFN3AL504KD

[Nippon Chemi-Con Corporation]

Product Line

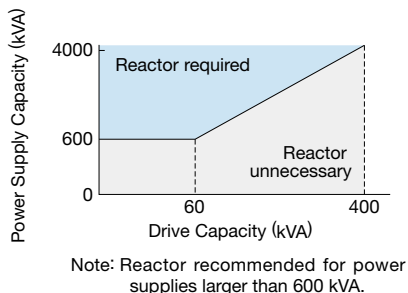
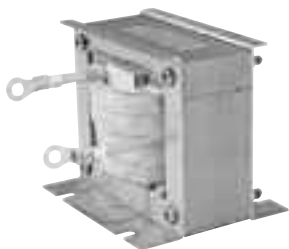
Peripheral Devices		Surge Protector	Model	Specifications	Code No.
200 to 230 V		Large-Capacity Coil (other than relay)	DCR2-50A22E	220 Vac 0.5 μ F+200 Ω	C002417
200 to 240 V	Control Relay	MY2, MY3 [Omron Corporation]	DCR2-10A25C	250 Vac 0.1 μ F+100 Ω	C002482
		MM2, MM4 [Omron Corporation] HH22, HH23 [Fuji Electric FA Components & Systems Co., Ltd]			
380 to 480 V			RFN3AL504KD	1000 Vdc 0.5 μ F+220 Ω	C002630

Peripheral Devices and Options

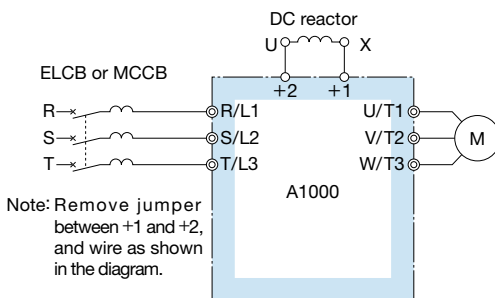
DC Reactor (UZDA-B for DC circuit)

Base device selection on motor capacity.

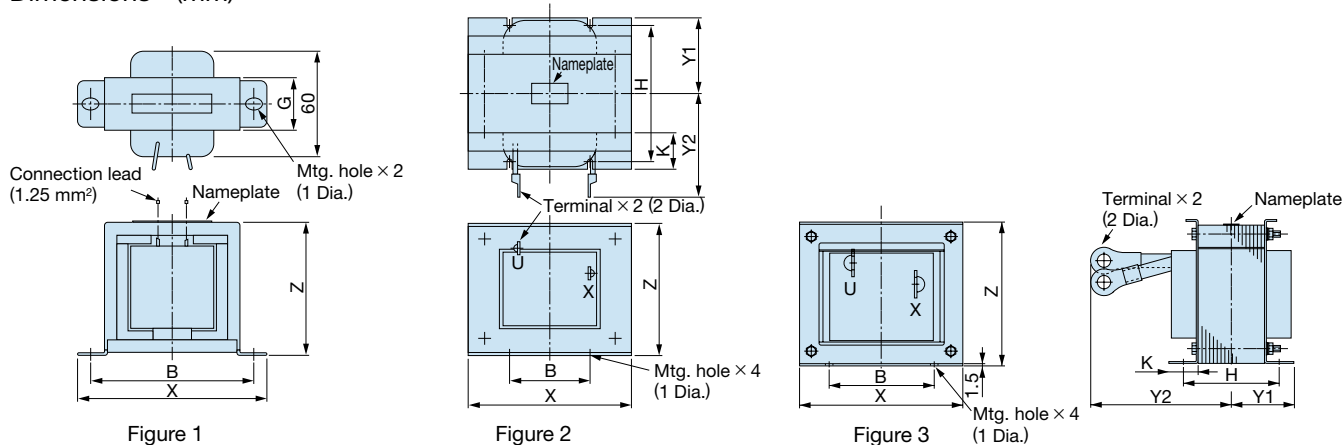
Lead Wire Type



Connection Diagram



Dimensions (mm)



200 V Class

Motor Capacity (kW)	Current (A)	Inductance (mH)	Code No.	Figure	Dimensions (mm)								Weight (kg)	Watt Loss (W)	Wire Gauge*1 (mm ²)		
					X	Y2	Y1	Z	B	H	K	G				1 Dia.	2 Dia.
0.4	5.4	8	X010048	1	85	—	—	53	74	—	—	32	M4	—	0.8	8	2
0.75	5.4	8	X010048	1	85	—	—	53	74	—	—	32	M4	—	0.8	8	2
1.5	18	3	X010049	2	86	80	36	76	60	55	18	—	M4	M5	2	18	5.5
2.2	18	3	X010049	2	86	80	36	76	60	55	18	—	M4	M5	2	18	5.5
3.7	18	3	X010049	2	86	80	36	76	60	55	18	—	M4	M5	2	18	5.5
5.5	36	1	X010050	2	105	90	46	93	64	80	26	—	M6	M6	3.2	22	8
7.5	36	1	X010050	2	105	90	46	93	64	80	26	—	M6	M6	3.2	22	8
11	72	0.5	X010051	2	105	105	56	93	64	100	26	—	M6	M8	4.9	29	30
15	72	0.5	X010051	2	105	105	56	93	64	100	26	—	M6	M8	4.9	29	30
18.5	90	0.4	X010176	2	133	120	52.5	117	86	80	25	—	M6	M8	6.5	45	30
22*2	105	0.3	300-028-140	3	133	120	52.5	117	86	80	25	—	M6	M10	8	55	50
22 to 110					Built-in												

*1: Cable: Indoor PVC (75°C), ambient temperature 45°C, 3 lines max.

*2: Select a motor of this capacity when using a CIMR-A□2A0081.

400 V Class

Motor Capacity (kW)	Current (A)	Inductance (mH)	Code No.	Figure	Dimensions (mm)								Weight (kg)	Watt Loss (W)	Wire Gauge*1 (mm ²)		
					X	Y2	Y1	Z	B	H	K	G				1 Dia.	2 Dia.
0.4	3.2	28	X010052	1	85	—	—	53	74	—	—	32	M4	—	0.8	9	2
0.75	3.2	28	X010052	1	85	—	—	53	74	—	—	32	M4	—	0.8	9	2
1.5	5.7	11	X010053	1	90	—	—	60	80	—	—	32	M4	—	1	11	2
2.2	5.7	11	X010053	1	90	—	—	60	80	—	—	32	M4	—	1	11	2
3.7	12	6.3	X010054	2	86	80	36	76	60	55	18	—	M4	M5	2	16	2
5.5	23	3.6	X010055	2	105	90	46	93	64	80	26	—	M6	M5	3.2	27	5.5
7.5	23	3.6	X010055	2	105	90	46	93	64	80	26	—	M6	M5	3.2	27	5.5
11	33	1.9	X010056	2	105	95	51	93	64	90	26	—	M6	M6	4	26	8
15	33	1.9	X010056	2	105	95	51	93	64	90	26	—	M6	M6	4	26	8
18.5	47	1.3	X010177	2	115	125	57.5	100	72	90	25	—	M6	M6	6	42	14
22*2	56	1	300-028-141	3	133	105	52.5	117	86	80	25	—	M6	M6	7	50	22
22 to 630					Built-in												

*1: Cable: Indoor PVC (75°C), ambient temperature 45°C, 3 lines max.

*2: Select a motor of this capacity when using a CIMR-A□4A0044.



Terminal Type



Dimensions (mm)

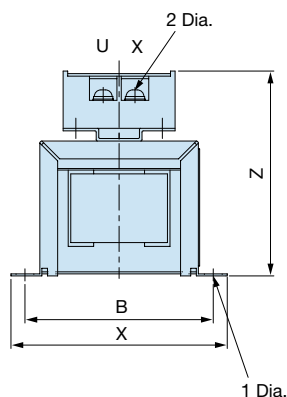


Figure 1

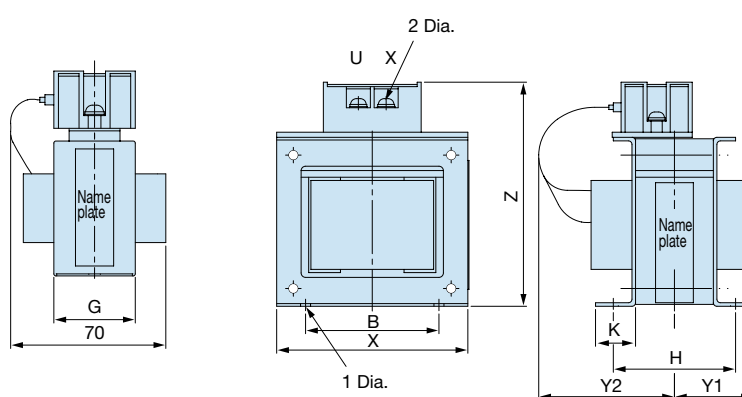


Figure 2

200 V Class

Motor Capacity (kW)	Current (A)	Inductance (mH)	Code No.	Figure	Dimensions (mm)										Weight (kg)	Watt Loss (W)
					X	Y2	Y1	Z	B	H	K	G	1 Dia.	2 Dia.		
0.4	5.4	8	300-027-130	1	85	-	-	81	74	-	-	32	M4	M4	0.8	8
0.75																
1.5	18	3	300-027-131	2	86	84	36	101	60	55	18	-	M4	M4	2	18
2.2																
3.7																
5.5	36	1	300-027-132	2	105	94	46	129	64	80	26	-	M6	M4	3.2	22
7.5																
11	72	0.5	300-027-133	2	105	124	56	135	64	100	26	-	M6	M6	4.9	29
15																
18.5	90	0.4	300-027-139	2	133	147.5	52.5	160	86	80	25	-	M6	M6	6.5	44

400 V Class

Motor Capacity (kW)	Current (A)	Inductance (mH)	Code No.	Figure	Dimensions (mm)										Weight (kg)	Watt Loss (W)
					X	Y2	Y1	Z	B	H	K	G	1 Dia.	2 Dia.		
0.4	3.2	28	300-027-134	1	85	-	-	81	74	-	-	32	M4	M4	0.8	9
0.75																
1.5	5.7	11	300-027-135	1	90	-	-	88	80	-	-	32	M4	M4	1	11
2.2																
3.7	12	6.3	300-027-136	2	86	84	36	101	60	55	18	-	M4	M4	2	16
5.5																
7.5																
11	23	3.6	300-027-137	2	105	104	46	118	64	80	26	-	M6	M4	3.2	27
15																
18.5	33	1.9	300-027-138	2	105	109	51	129	64	90	26	-	M6	M4	4	26
18.5	47	1.3	300-027-140	2	115	142.5	57.5	136	72	90	25	-	M6	M5	6	42

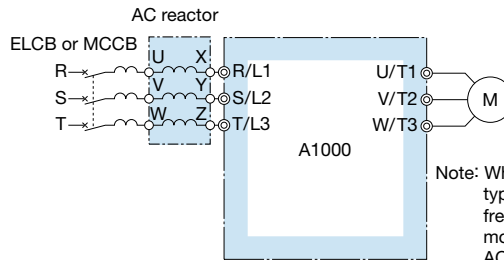
● AC Reactor (UZBA-B for 50/60 Hz Input)

Base device selection on motor capacity.

Lead Wire Type

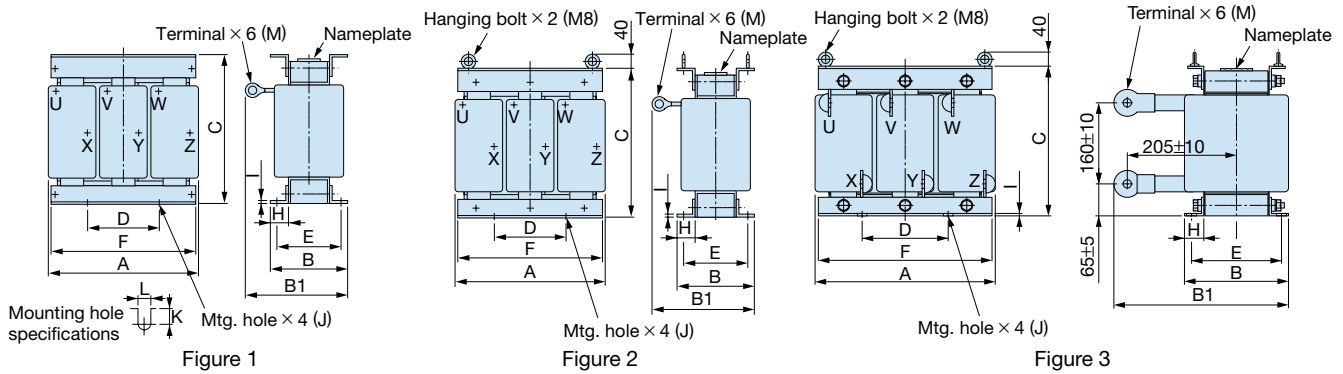


Connection Diagram



Note: When using low noise type drives (high-carrier frequency of 2.5 kHz or more), do not connect an AC reactor to the output side (U, V, W) of the drive.

Dimensions (mm)



200 V Class

Motor Capacity (kW)	Current (A)	Inductance (mH)	Code No.	Figure	Dimensions (mm)											Weight (kg)	Watt Loss (W)			
					A	B	B1	C	D	E	F	H	I	J	K			L	M	
3.7	20	0.53	X002491	1	130	88	114	105	50	70	130	22	3.2	M6	11.5	7	M5	3	35	
5.5	30	0.35	X002492				119								9			3	45	
7.5	40	0.265	X002493			98	139	4	50											
11	60	0.18	X002495			105	147.5	6	65											
15	80	0.13	X002497		180	100	155	150	75	80	180	25	2.3	M6	10	7	M8	8	75	
18.5	90	0.12	X002498				150													150
22	120	0.09	X002555		210	100	170	175	75	80	205	25	3.2	M6	10	7	M10	12	100	
37	200	0.05	X002557				115													182.5
45	240	0.044	X002558		240	126	218	215	150	110	240	25	3.2	M8	8	7	M10	23	125	
55	280	0.039	X002559																	10
75	360	0.026	X002560		270	162	241	230	150	130	260	40	5	M8	16	10	M12	32	145	
90	500	0.02	X010145																	
110	500	0.02	X010145		2	330	162	281	270	150	130	320	40	4.5	M10	16	10	M12	55	200

400 V Class

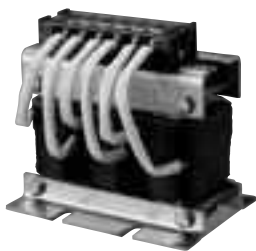
Motor Capacity (kW)	Current (A)	Inductance (mH)	Code No.	Figure	Dimensions (mm)											Weight (kg)	Watt Loss (W)						
					A	B	B1	C	D	E	F	H	I	J	K			L	M				
7.5	20	1.06	X002502	1	160	90	115	130	75	70	160	25	2.3	M6	10	7	M5	5	50				
11	30	0.7	X002503			105	132.5											6	65				
15	40	0.53	X002504		180	100	140	150	75	80	180	25	2.3	M6	10	7	M6	8	90				
18.5	50	0.42	X002505				145													150	8.5		
22	60	0.36	X002506		210	100	150	175	75	80	205	25	3.2	M6	10	7	M8	12	95				
37	90	0.24	X002509				115													177.5	15	110	
45	120	0.18	X002566		240	126	193	205	150	110	240	25	3.2	M8	8	10	M10	23	130				
55	150	0.15	X002567				198													205	150	150	
75	200	0.11	X002568		270	162	231	230	150	130	260	40	5	M8	16	10	M10	32	135				
90	250	0.09	X002569				246													230	150	130	
110	250	0.09	X002569		320	165	253	275	150	130	320	40	4.5	M10	17.5	12	M12	55	200				
132	330	0.06	X002570																				
160	330	0.06	X002570		330	176	293	275	150	150	320	40	4.5	M10	13	12	M12	60	340				
185	490	0.04	X002690																				
220	490	0.04	X002690	250	490	0.04	X002690	3	330	216	353	285	150	185	320	40	4.5	M10	22	12	M16	80	300
315	660	0.03	300-032-353																				
355	660	0.03	300-032-353	2	330	176	293	275	150	150	320	40	4.5	M10	13	12	M12	60	340				
450	490*1	0.04	X002690 × 2*2																				
500	490*1	0.04	X002690 × 2*2	3	330	216	353	285	150	185	320	40	4.5	M10	22	12	M16	80	300				
560	660*1	0.03	300-032-353 × 2*2																				
630	660*1	0.03	300-032-353 × 2*2																				

*1: Rated current for a single unit.

*2: When two units are connected in parallel.



Terminal Type



Dimensions (mm)

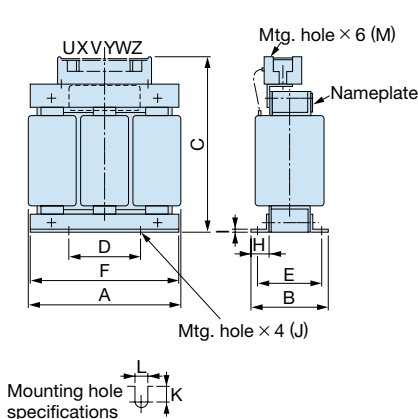


Figure 1

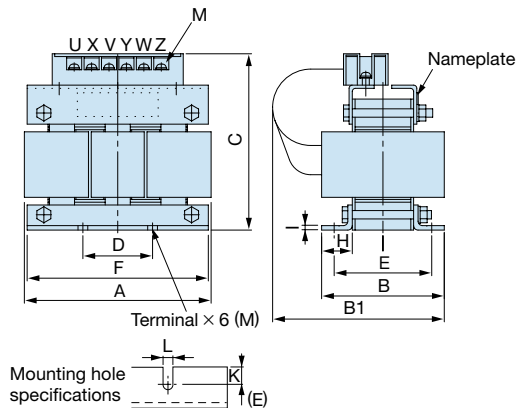


Figure 2

200 V Class

Motor Capacity (kW)	Current (A)	Inductance (mH)	Code No.	Figure	Dimensions (mm)											Weight (kg)	Watt Loss (W)											
					A	B	B1	C	D	E	F	H	I	J	K			L	M									
0.4	2.5	4.2	X002553	1	120	71	-	120	40	50	105	20	2.3	M6	10.5	7	M4	2.5	15									
0.75	5	2.1	X002554		130	88		130	50	70	130	22	3.2		9			3	25									
1.5	10	1.1	X002489		135	88	140	130	50	70	130	22	3.2		9	7		3	35									
2.2	15	0.71	X002490				150								3			45										
3.7	20	0.53	300-027-120	2	135	88	160	140	50	80	130	22	3.2	9	7	M5	4	50										
5.5	30	0.35	300-027-121				165									105	185	170	75	85	160	25	2.3	10	M6	6	65	
7.5	40	0.265	300-027-122				185									100	180	195	75	80	180	25	2.3	10	7	M6	8	75
11	60	0.18	300-027-123																							8	90	
15	80	0.13	300-027-124				185									100	180	195	75	80	180	25	2.3	10	7	M6	8	90
18.5	90	0.12	300-027-125																							8	90	

400 V Class

Motor Capacity (kW)	Current (A)	Inductance (mH)	Code No.	Figure	Dimensions (mm)											Weight (kg)	Watt Loss (W)												
					A	B	B1	C	D	E	F	H	I	J	K			L	M										
0.4	1.3	18	X002561	1	120	71	-	120	40	50	105	20	2.3	M6	10.5	7	M4	2.5	15										
0.75	2.5	8.4	X002562		130	88		130	50	70	130	22	3.2		9			3	25										
1.5	5	4.2	X002563		135	88	80	130	50	80	160	25	2.3		9	7		4	50										
2.2	7.5	3.6	X002564				90											160	155	70	85	5	50						
3.7	10	2.2	X002500	2	165	105	175	155	75	85	160	25	2.3	10	7	M4	5	50											
5.5	15	1.42	X002501													80	6	65											
7.5	20	1.06	300-027-126													185	100	170	185	75	80	180	25	2.3	10	7	M4	6	65
11	30	0.7	300-027-127																								8	65	
15	40	0.53	300-027-128													185	100	170	185	75	80	180	25	2.3	10	7	M5	8	90
18.5	50	0.42	300-027-129																								8	90	

Zero Phase Reactor

Zero-phase reactor should match wire gauge.*

*: Current values for wire gauges may vary based on electrical codes.

The table below lists selections based on Japanese electrical standards and Yaskawa's ND rating. Contact Yaskawa for questions regarding UL.

Finemet Zero-Phase Reactor to Reduce Radio Noise

Note: Finemet is a registered trademark of Hitachi Metals, Ltd.



[Hitachi Metals, Ltd.]

Connection Diagram

Compatible with the input and output side of the drive.

Example: Connection to output terminal

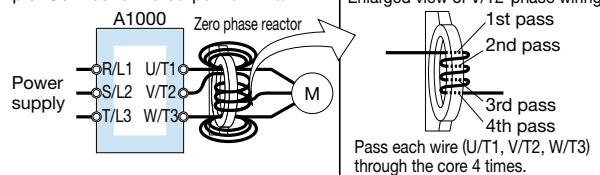
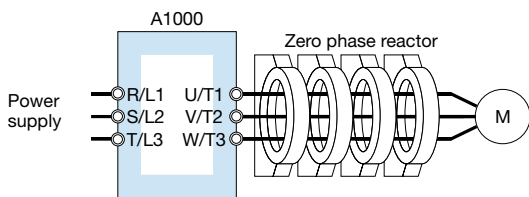
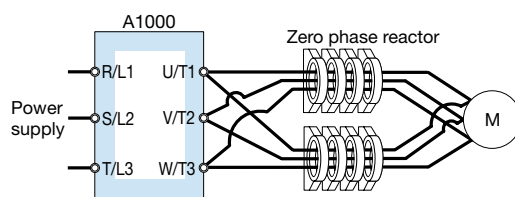


Diagram a



All wires (U/T1, V/T2, W/T3) should pass through the four cores of the reactor in series without winding.

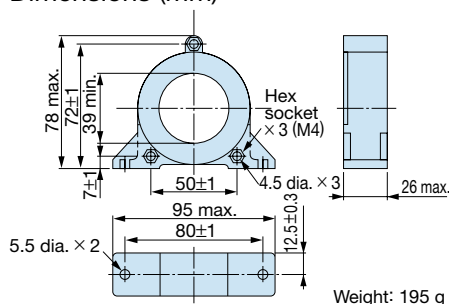
Diagram b



Separate each terminal lead for U/T1, V/T2, and W/T3 in half, passing one half of the wires through a set of four cores and the other half through the other set of four cores as shown.

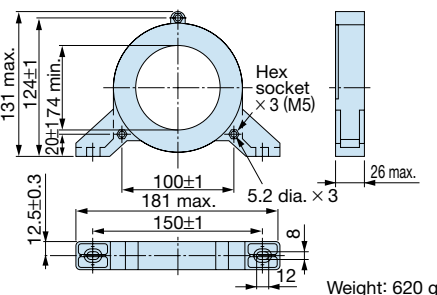
Diagram c

Dimensions (mm)



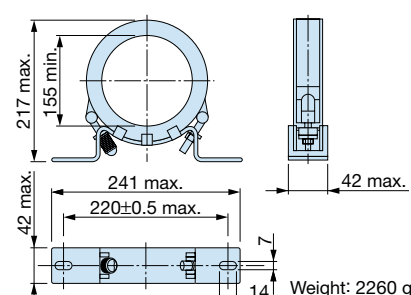
Model F6045GB

Weight: 195 g



Model F11080GB

Weight: 620 g



Model F200160PB

Weight: 2260 g

200 V Class

Motor Capacity (kW)	A1000		Zero Phase Reactor							
	Recommended Gauge (mm ²)		Input Side				Output Side			
	Input Side	Output Side	Model	Code No.	Qty.	Diagram	Model	Code No.	Qty.	Diagram
0.4	2	2	F6045GB	FIL001098	1	a	F6045GB	FIL001098	1	a
0.75										
1.5										
2.2										
3.7	3.5	3.5	F11080GB	FIL001097	1	a	F11080GB	FIL001097	1	a
5.5	5.5	3.5								
7.5	8	8								
11	14	14								
15	22	14	F6045GB	FIL001098	4	b	F6045GB	FIL001098	4	b
18.5	30	22								
22	38	30								
30	38	38								
37	60	60	F11080GB	FIL001097	4	b	F11080GB	FIL001097	4	b
45	80	80								
55	100	50×2P								
75	80×2P	80×2P								
90	80×2P	80×2P	F200160PB	300-001-041	4	b	F200160PB	300-001-041	4	b
110	*	*								

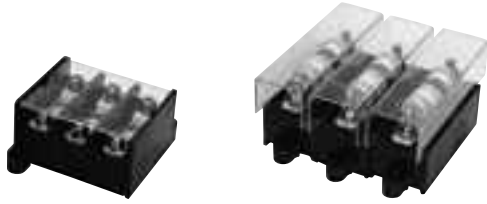
*: Model 2A0360: 100 × 2P, model 2A0415: 125 × 2P

400 V Class

Motor Capacity (kW)	A1000		Zero Phase Reactor							
	Recommended Gauge (mm ²)		Input Side				Output Side			
	Input Side	Output Side	Model	Code No.	Qty.	Diagram	Model	Code No.	Qty.	Diagram
0.4	2	2	F6045GB	FIL001098	1	a	F6045GB	FIL001098	1	a
0.75										
1.5										
2.2										
3.7	5.5	5.5	F6045GB	FIL001098	4	b	F6045GB	FIL001098	4	b
5.5										
7.5										
11										
15	14	14	F6045GB	FIL001098	4	b	F6045GB	FIL001098	4	b
18.5										
22										
30										
37	F11080GB	FIL001097	F11080GB	FIL001097	4	b	F11080GB	FIL001097	4	b
45										
55										
75										
90	F200160PB	300-001-041	F200160PB	300-001-041	4	b	F200160PB	300-001-041	4	b
110										
132										
150										
160	8	c	F200160PB	300-001-041	8	c	F200160PB	300-001-041	8	c
185										
220										
250										
315	125 × 4P	125 × 4P	F200160PB	300-001-041	4	b	F200160PB	300-001-041	4	b
355										
450										
500										
560	125 × 8P	125 × 8P	F200160PB	300-001-041	8	c	F200160PB	300-001-041	8	c
630										

Fuse and Fuse Holder

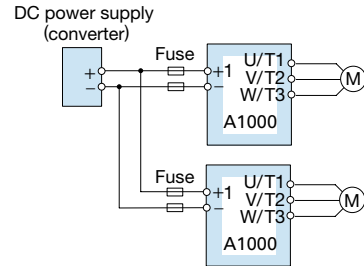
Install a fuse to the drive input terminals to prevent damage in case a fault occurs.
Refer to the instruction manual for information on UL-approved components.



[Fuji Electric FA Components & Systems Co., Ltd]

Connection Diagram

This example shows a DC power supply (two A1000 drives connected in series).
For an AC power supply, see the connection diagram on page 28.



Note: When connecting multiple drives together, make sure that each drive has its own fuse. If any one fuse blows, all fuses should be replaced.

200 V Class

Model CIMR-A□□2A □□□□	AC Power Supply Input				DC Power Supply Input			
	Fuse		Fuse Holder		Fuse		Fuse Holder	
	Model	Rated Short-circuit Breaking Current (kA)	Qty.	Model Qty.	Model	Rated Short-circuit Breaking Current (kA)	Qty.	Model Qty.
0004	CR2LS-30	100	3	CM-1A 1	CR2LS-30	100	2	CM-1A 1
0006								
0008								
0010								
0012								
0018								
0021								
0030								
0040								
0056								
0069								
0081								
0110								
0138								
0169								
0211								
0250								
0312								
0360								
0415								
0002								
0004								
0005								
0007								
0009								
0011								
0018								
0023								
0031								
0038								
0044								
0058								
0072								
0088								
0103								
0139								
0165								
0208								
0250								
0296								
0362								
0414								
0515								
0675								
0930								
1200								

*: Manufacturer does not recommend a specific fuse holder for this fuse.
Contact the manufacturer for information on fuse dimensions.

400 V Class

Model CIMR-A□□4A □□□□	AC Power Supply Input				DC Power Supply Input			
	Fuse		Fuse Holder		Fuse		Fuse Holder	
	Model	Rated Short-circuit Breaking Current (kA)	Qty.	Model Qty.	Model	Rated Short-circuit Breaking Current (kA)	Qty.	Model Qty.
0002	CR6L-20	100	3	CMS-4 3	CR6L-20	100	2	CMS-4 2
0004								
0005								
0007								
0009								
0011								
0018								
0023								
0031								
0038								
0044								
0058								
0072								
0088								
0103								
0139								
0165								
0208								
0250								
0296								
0362								
0414								
0515								
0675								
0930								
1200								
0002								
0004								
0005								
0007								
0009								
0011								
0018								
0023								
0031								
0038								
0044								
0058								
0072								
0088								
0103								
0139								
0165								
0208								
0250								
0296								
0362								
0414								
0515								
0675								
0930								
1200								

Note: Always install input fuses for models CIMR-A□□4A0930 and CIMR-A□□4A1200.

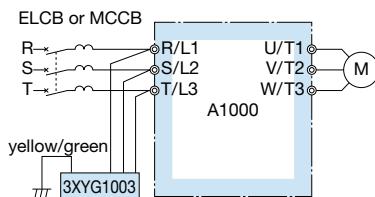
Capacitor-Type Noise Filter

Capacitor-type noise filter exclusively designed for drive input.
The noise filter can be used in combination with a zero-phase reactor. For both 200 V and 400 V classes.
Note: The capacitor-type noise filter can be used for drive input only. Do not connect the noise filter to the output terminals.



[Okaya Electric Industries Co., Ltd.]

Connection Diagram



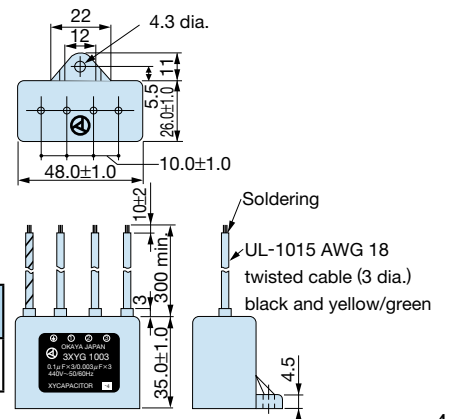
Specifications

Model	Code No.
3XYG 1003	C002889

Rated Voltage	Capacitance (3 devices each)	Operating Temperature (°C)
440 V	X (Δ connection) : 0.1 μF±20 % Y (λ connection) : 0.003 μF±20 %	-40 to +85

Note: For use with 460 V and 480 V units, contact Yaskawa directly.

Dimensions (mm)



Input Noise Filter

Base device selection on motor capacity.



Noise Filter without Case



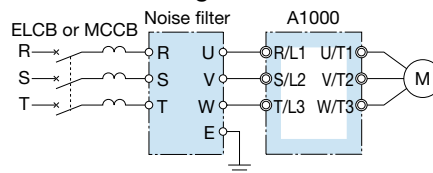
Noise Filter with Case



Noise Filter [Schaffner EMC K.K.]

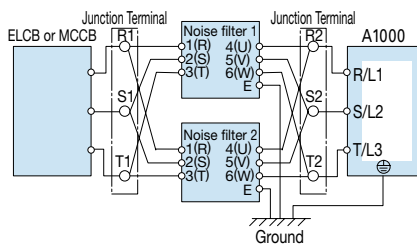
Note: Refer to the instruction manual for information on the CE mark and compliance with the EMC directive.

Connection Diagram



Note: Do not connect the input noise filter to the drive output terminals (U, V, W). Connect in parallel when using two filters.

Connecting Noise Filters in Parallel to the Input or Output Side (examples shows two filters in parallel)



Note: When wiring contactors in parallel, make sure wiring lengths are the same to keep current flow even to the relay terminals.

Noise filters and grounding wire should be as heavy and as short as possible.

200 V Class

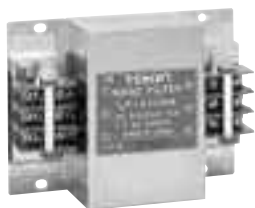
Motor Capacity (kW)	Noise Filter without Case				Noise Filter with Case				Noise Filter by Schaffner EMC K.K.			
	Model	Code No.	Qty.	Rated Current (A)	Model	Code No.	Qty.	Rated Current (A)	Model	Code No.	Qty.	Rated Current (A)
0.4												
0.75	LNFD-2103DY	FIL000132	1	10	LNFD-2103HY	FIL000140	1	10	-	-	-	-
1.5												
2.2	LNFD-2153DY	FIL000133	1	15	LNFD-2153HY	FIL000141	1	15	-	-	-	-
3.7	LNFD-2303DY	FIL000135	1	30	LNFD-2303HY	FIL000143	1	30	-	-	-	-
5.5	LNFD-2203DY	FIL000134	2	40	LNFD-2203HY	FIL000142	2	40	FN258L-42-07	FIL001065	1	42
7.5			2	60			2	60	FN258L-55-07	FIL001066	1	55
11									FN258L-75-34	FIL001067	1	75
15	LNFD-2303DY	FIL000135	3	90	LNFD-2303HY	FIL000143	3	90	FN258L-100-35	FIL001068	1	100
18.5									FN258L-130-35	FIL001069	1	130
22			4	120			4	120	FN258L-130-35	FIL001069	1	130
30									FN258L-180-07	FIL001070	1	180
37									FN359P-250-99	FIL001071	1	250
45									FN359P-400-99	FIL001073	1	400
55									FN359P-500-99	FIL001074	1	500
75									FN359P-600-99	FIL001075	1	600
90												
110												

400 V Class

Motor Capacity (kW)	Noise Filter without Case				Noise Filter with Case				Noise Filter by Schaffner EMC K.K.			
	Model	Code No.	Qty.	Rated Current (A)	Model	Code No.	Qty.	Rated Current (A)	Model	Code No.	Qty.	Rated Current (A)
0.4	LNFD-4053DY	FIL000144	1	5	LNFD-4053HY	FIL000149	1	5				
0.75												
1.5	LNFD-4103DY	FIL000145	1	10	LNFD-4103HY	FIL000150	1	10				
2.2												
3.7	LNFD-4153DY	FIL000146	1	15	LNFD-4153HY	FIL000151	1	15				
5.5	LNFD-4203DY	FIL000147	1	20	LNFD-4203HY	FIL000152	1	20				
7.5	LNFD-4303DY	FIL000148	1	30	LNFD-4303HY	FIL000153	1	30				
11	LNFD-4203DY	FIL000147	2	40	LNFD-4203HY	FIL000152	2	40	FN258L-42-07	FIL001065	1	42
15			2	60			2	60	FN258L-55-07	FIL001066	1	55
18.5									FN258L-75-34	FIL001067	1	75
22	LNFD-4303DY	FIL000148	3	90	LNFD-4303HY	FIL000153	3	90	FN258L-100-35	FIL001068	1	100
30									FN258L-100-35	FIL001068	1	100
37			4	120			4	120	FN258L-130-35	FIL001069	1	130
45									FN258L-180-07	FIL001070	1	180
55									FN359P-300-99	FIL001072	1	300
75									FN359P-400-99	FIL001073	1	400
90									FN359P-500-99	FIL001074	1	500
110									FN359P-600-99	FIL001075	1	600
132												
160												
185												
220												
250												
315												
355												
450												
500												
560												
630												

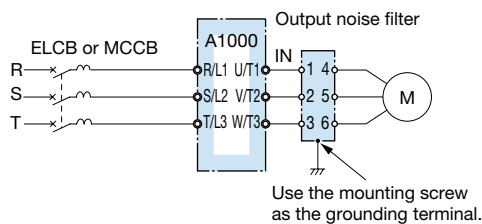
Output Noise Filter

Base device selection on motor capacity.

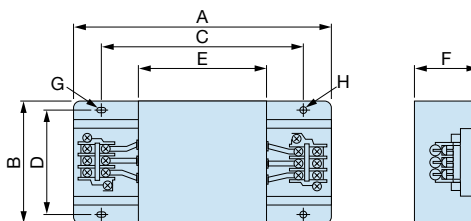


[NEC Tokin Corporation]

Connection Diagram



Dimensions (mm)



200 V Class

Motor Capacity (kW)	Model	Code No.	Qty.*1	Rated Current (A)	Dimensions (mm)								Terminal	Weight*2 (kg)
					A	B	C	D	E	F	G	H		
0.4	LF-310KA	FIL000068	1	10	140	100	100	90	70	45	7×φ4.5	φ4.5	TE-K5.5 M4	0.5
0.75														
1.5														
2.2	LF-320KA	FIL000069	1	20	140	100	100	90	70	45	7×φ4.5	φ4.5	TE-K5.5 M4	0.6
3.7														
5.5	LF-350KA	FIL000070	1	50	260	180	180	160	120	65	7×φ4.5	φ4.5	TE-K22 M6	2.0
7.5														
11														
15														
18.5														
22	LF-350KA*3	FIL000070	3	150	260	180	180	160	120	65	7×φ4.5	φ4.5	TE-K22 M6	2.0
	LF-3110KB*3	FIL000076	1	110	540	340	480	300	340	240	9×φ6.5	φ6.5	TE-K60 M8	19.5
30	LF-350KA*3	FIL000070	3	150	260	180	180	160	120	65	7×φ4.5	φ4.5	TE-K22 M6	2.0
	LF-375KB*3	FIL000075	2	150	540	320	480	300	340	240	9×φ6.5	φ6.5	TE-K22 M6	12.0
37	LF-3110KB	FIL000076	2	220	540	320	480	300	340	240	9×φ6.5	φ6.5	TE-K60 M8	19.5
45														
55														
75	LF-3110KB	FIL000076	3	330	540	320	480	300	340	240	9×φ6.5	φ6.5	TE-K60 M8	19.5
90			4	440										
110			5	550										

*1: Connect in parallel when using more than one filter.

*2: Weight of one filter.

*3: Either noise filter model can be used.

400 V Class

Motor Capacity (kW)	Model	Code No.	Qty.*1	Rated Current (A)	Dimensions (mm)								Terminal	Weight*2 (kg)
					A	B	C	D	E	F	G	H		
0.4	LF-310KB	FIL000071	1	10	140	100	100	90	70	45	7×φ4.5	φ4.5	TE-K5.5 M4	0.5
0.75														
1.5														
2.2	LF-320KB	FIL000072	1	20	140	100	100	90	70	45	7×φ4.5	φ4.5	TE-K5.5 M4	0.6
3.7														
5.5	LF-335KB	FIL000073	1	35	140	100	100	90	70	45	7×φ4.5	φ4.5	TE-K5.5 M4	0.8
7.5														
11														
15	LF-345KB	FIL000074	1	45	260	180	180	160	120	65	7×φ4.5	φ4.5	TE-K22 M6	2.0
18.5														
22	LF-375KB	FIL000075	1	75	540	320	480	300	340	240	9×φ6.5	φ6.5	TE-K22 M6	12.0
30	LF-3110KB	FIL000076	1	110	540	340	480	300	340	240	9×φ6.5	φ6.5	TE-K60 M8	19.5
37														
45														
55	LF-375KB	FIL000075	2	150	540	320	480	300	340	240	9×φ6.5	φ6.5	TE-K22 M6	12.0
75														
90														
110														
132														
160														
185														
220														
250														
315														
355														
450														
500														
560														
630														

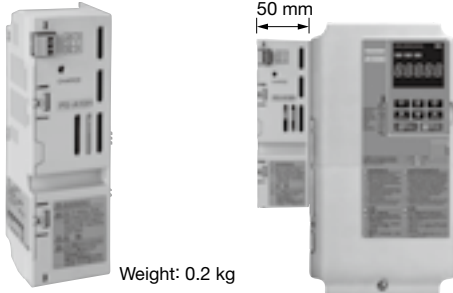
*1: Connect in parallel when using more than one filter.

*2: Weight of one filter.

24 V Power Supply

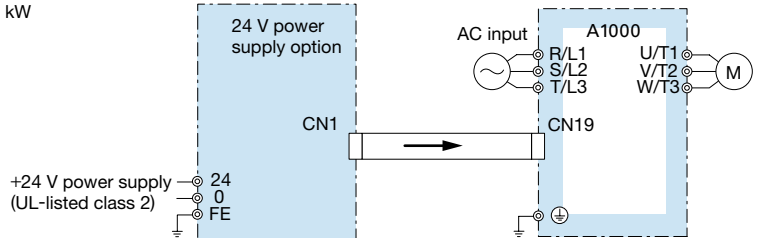
The 24 V Power Supply Option maintains drive control circuit power in the event of a main power outage. The control circuit keeps the network communications and I/O data operational in the event of a power outage. It supplies external power to the control circuit only.
 Note: Even if a back-up power supply is used for the control circuit, the main circuit must still have power in order to change parameter settings.

The installed option adds 50 mm to the total width of the drive.
 Installed internally for models 185 kW (CIMR-A□4A0414) and above.



Weight: 0.2 kg

Connection Diagram



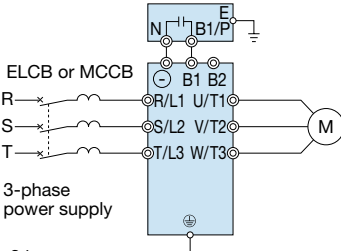
Model	Code No.
200 V Class: PS-A10LB	PS-A10LB
400 V Class: PS-A10HB	PS-A10HB

Momentary Power Loss Recovery Unit



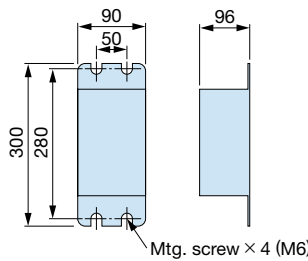
Connection Diagram

Momentary Power Loss Recovery Unit



Weight: 2 kg

Dimensions (mm)



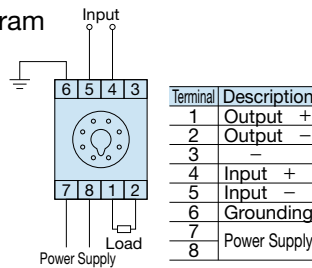
Model	Code No.
200 V Class: P0010	P0010
400 V Class: P0020	P0020

Note: Functions as a back-up power supply for drives up to 11 kW. Allows the drive to ride through a power loss up to 2 s long. The drive alone can continue running through a power loss lasting 0.1 s to 1.0 s. Results may vary with drive capacity.

Isolator (Insulation Type DC Transmission Converter)



Connection Diagram

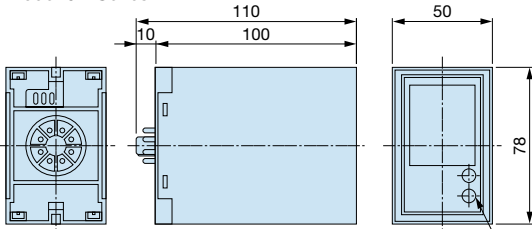


Cable Length

- 4 to 20 mA: within 100 m
- 0 to 10 V: within 50 m

Dimensions (mm)

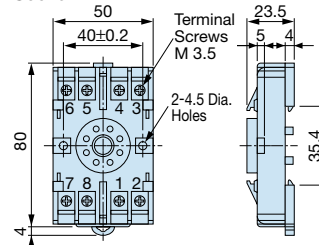
Model GP Series



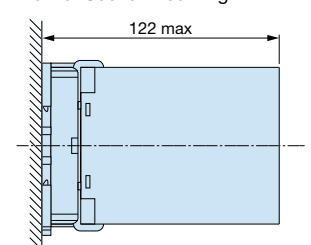
Positioning of the potentiometer is changed depend on the model.

Weight: 350 g

Socket



View of Socket Mounting



Weight: 60 g

Performance

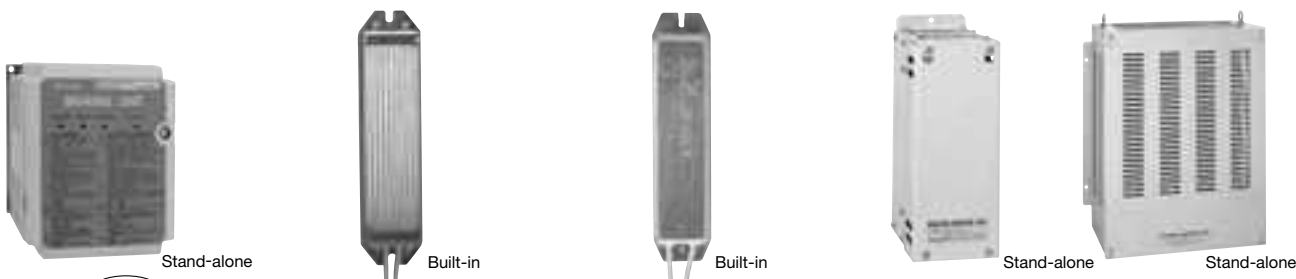
- (1) Allowance ± 0.25% of output span (ambient temp.: 23°C)
- (2) Temperature Fluctuation ± 0.25% of output span (at ± 10°C of ambient temperature)
- (3) Aux. Power Supply Fluctuation ± 0.1% of output span (at ± 10% of aux. power supply)
- (4) Load Resistance Fluctuation ± 0.05% of output span (in the range of load resistance)
- (5) Output Ripple ± 0.5% P-P of output span
- (6) Response Time 0.5 s or less (time to settle to ± 1% of final steady value)
- (7) Withstand Voltage 2000 Vac for 60 s (between all terminals and enclosure)
- (8) Insulation Resistance 20 MΩ and above (using 500 Vdc megger between each terminal and enclosure)

Product Line

Model	Input Signal	Output Signal	Power Supply	Code No.
DGP2-4-4	0 to 10 V	0 to 10 V	100 Vac	CON 000019.25
DGP2-4-8	0 to 10 V	4 to 20 mA	100 Vac	CON 000019.26
DGP2-8-4	4 to 20 mA	0 to 10 V	100 Vac	CON 000019.35
DGP2-3-4	0 to 5 V	0 to 10 V	100 Vac	CON 000019.15
DGP3-4-4	0 to 10 V	0 to 10 V	200 Vac	CON 000020.25
DGP3-4-8	0 to 10 V	4 to 20 mA	200 Vac	CON 000020.26
DGP3-8-4	4 to 20 mA	0 to 10 V	200 Vac	CON 000020.35
DGP3-3-4	0 to 5 V	0 to 10 V	200 Vac	CON 000020.15

Braking Unit, Braking Resistor, Braking Resistor Unit

Braking units come standard with 200 V and 400 V class drives 0.4 to 30 kW. If the application requires a braking resistor or braking unit, choose from built-in and stand-alone types in accordance with motor capacity.



Braking Unit
(CDBR-□□D)
[CDBR series]

Braking Resistor
[ERF150WJ series]

Braking Resistor with Fuse
[CF120-B579 series]

Braking Resistor Unit
[LKEB series]

200 V Class

Footnotes are listed on page 49.

Max. Applicable Motor (kW)	ND/HD	A1000 Model CIMR-A□□2A	Braking Unit		Braking Resistor (Duty Factor: 3% ED, 10 s max.)*1								Braking Resistor Unit (Duty Factor: 10% ED, 10 s max.)*1					Min.*2 Connectable Resistance (Ω)		
			Model CDBR-□□□□	Qty.	No Fuse				With Fuse				Model LKEB-□□□□	Resistor Specifications (per unit)		Qty.	Diagram		Braking Torque*3 (%)	
					Model ERF150WJ	Resistance (Ω)	Qty.	Diagram	Braking Torque*3 (%)	Model CF120-B579	Resistance (Ω)	Qty.		Diagram	Braking Torque*3 (%)					Resistance (Ω)
0.4	HD	0004			201	200	1	A	220	B	200	1	A	220	20P7	70 W 200 Ω	1	B	220	48
0.75	ND	0004			201	200	1	A	125	B	200	1	A	125	20P7	70 W 200 Ω	1	B	125	48
	HD	0006																		
1.1	ND	0006			201	200	1	A	85	B	200	1	A	85	20P7	70 W 200 Ω	1	B	85	48
	HD	0008			101	100			150	C	100			1	150				21P5	
1.5	ND	0008			101	100	1	A	125	C	100	1	A	125	21P5	260 W 100 Ω	1	B	125	48
	HD	0010																		
2.2	ND	0010			700	70	1	A	120	D	70	1	A	120	22P2	260 W 70 Ω	1	B	120	48
	HD	0012																		16
3	ND	0012			620	62	1	A	100	E	62	1	A	100	22P2	390 W 40 Ω	1	B	150	16
	HD	0018																		
3.7	ND	0018			620	62	1	A	80	E	62	1	A	80	23P7	390 W 40 Ω	1	B	125	16
	HD	0021																		
5.5	ND	0021			620	62	2	A*4	110	E	62	2	A*4	110	25P5	520 W 30 Ω	1	B	115	16
	HD	0030																		
7.5	ND	0030																		16
	HD	0040													27P5	780 W 20 Ω	1	B	125	9.6
11	ND	0040																		
	HD	0056													2011	2400 W 13.6 Ω	1	B	125	9.6
15	ND	0056																		
	HD	0069													2015	3000 W 10 Ω	1	B	125	9.6
18.5	ND	0069																		
	HD	0081													2015	3000 W 10 Ω	1	B	100	9.6
22	ND	0081													2015	3000 W 10 Ω	1	B	85	9.6
	HD	0110												2022	4800W 6.8 Ω	125			6.4	
30	ND	0110																		
	HD	0138													2022	4800 W 6.8 Ω	1	B	90	6.4
37	ND	0138													2022	4800 W 6.8 Ω	1	B	70	6.4
	HD	0169	2037D	1											2015	3000 W 10 Ω	2	E	100	5.0
45	ND	0169	2037D	1											2015	3000 W 10 Ω	2	E	80	5.0
	HD	0211	2022D	2											2022	4800 W 6.8 Ω	2	D	120	6.4
55	ND	0211																		
	HD	0250	2022D	2											2022	4800 W 6.8 Ω	2	D	100	6.4
75	ND	0250																		
	HD	0312	2110D	1											2022	4800 W 6.8 Ω	3	E	110	1.6
90	ND	0312																		
	HD	0360	2110D	1											2022	4800 W 6.8 Ω	4	E	120	1.6
110	ND	0360																		
	HD	0415	2110D	1											2018	4800 W 8 Ω	5	E	100	1.6

Note: 1. Braking resistor (ERF150WJ and CF120-B579) requires a separate attachment for installation. See attachment for braking resistor unit on page 53.
 2. Use the retrofit attachment when replacing an older model CDBR braking unit (CDBR-□B, CDBR-□C). Refer to TOBP C720600 01 1000-Series Option CDBR, LKEB Installation Manual for more details.
 3. Use the External Heatsink Attachment for installation with the heatsink outside the enclosure. Refer to page 53 for details.
 4. If the built-in fuse on a braking resistor blows, then the entire braking resistor should be replaced.
 5. See the connection diagram on page 50.



400 V Class

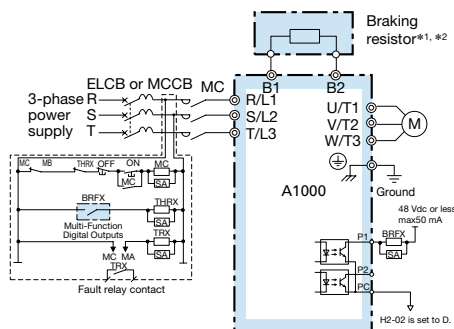
Max. Applicable Motor (kW)	ND/HD	A1000		Braking Resistor (Duty Factor: 3% ED, 10 s max.)*1										Braking Resistor Unit (Duty Factor: 10% ED, 10 s max.)*1					Min.*2 Connectable Resistance (Ω)	
		Model CIMR-A-□□4A	Model CDBR-□□□□	Qty.	No Fuse					With Fuse					Model LKEB-□□□□	Resistor Specifications (per unit)				Braking Torque*3 (%)
					Model ERF150WJ	Resistance (Ω)	Qty.	Diagram	Braking Torque*3 (%)	Model CF120-B579	Resistance (Ω)	Qty.	Diagram	Braking Torque*3 (%)		Qty.	Diagram	Braking Torque*3 (%)		
0.4	HD	0002			751	750	1	A	230	F	750	1	A	230	40P7	70 W 750 Ω	1	B	230	96
0.75	ND	0002			751	750	1	A	130	F	750	1	A	130	40P7	70 W 750 Ω	1	B	130	96
	HD	0004																		
1.5	ND	0004			401	400	1	A	125	G	400	1	A	125	41P5	260 W 400 Ω	1	B	125	96
	HD	0005																		64
2.2	ND	0005			301	300	1	A	115	H	300	1	A	115	42P2	260 W 250 Ω	1	B	135	64
	HD	0007																		
3	ND	0007			201	200	1	A	125	J	250	1	A	100	42P2	260 W 250 Ω	1	B	100	64
	HD	0009												43P7	390 W 150 Ω	150			32	
3.7	ND	0009			201	200	1	A	105	J	250	1	A	83	43P7	390W 150 Ω	1	B	135	32
	HD	0011																		
5.5	ND	0011			201	200	2	A*4	135	J	250	2	A*4	105	45P5	520 W 100 Ω	1	B	135	32
	HD	0018																		
7.5	ND	0018												47P5	780 W 75 Ω	1	B	130	32	
	HD	0023																		
11	ND	0023												4011	1040 W 50 Ω	1	B	135	32	
	HD	0031																		20
15	ND	0031												4015	1560 W 40 Ω	1	B	125	20	
	HD	0038																		
18.5	ND	0038												4018	4800 W 32 Ω	1	B	125	20	
	HD	0044																		19.2
22	ND	0044												4022	4800 W 27.2 Ω	1	B	125	19.2	
	HD	0058																		
30	ND	0058												4030	6000 W 20 Ω	1	B	125	19.2	
	HD	0072																		
37	ND	0072												4030	6000 W 20 Ω	1	B	100	19.2	
	HD	0088	4045D	1										4037	9600 W 16 Ω		C	125	12.8	
45	ND	0088												4045	9600 W 13.6 Ω	1	C	125	12.8	
	HD	0103	4045D	1																
55	ND	0103	4045D	1										4045	9600 W 13.6 Ω	1	C	100	12.8	
	HD	0139	4030D	2										4030	6000 W 20 Ω	2	D	135	19.2	
75	ND	0139	4030D	2										4030	6000 W 20 Ω	2	D	100	19.2	
	HD	0165	4045D											4045	9600W 13.6 Ω			145	12.8	
90	ND	0165	4045D	2										4045	9600W 13.6 Ω	2	D	100	12.8	
	HD	0208																		
110	ND	0208												4030	6000 W 20 Ω	3	E	100	3.2	
	HD	0250	4220D	1																
132	ND	0250												4045	9600W 13.6 Ω	4	E	140	3.2	
	HD	0296	4220D	1																
160	ND	0296												4045	9600W 13.6 Ω	4	E	140	3.2	
	HD	0362	4220D	1																
185	ND	0362												4045	9600W 13.6 Ω	4	E	120	3.2	
	HD	0414	4220D	1																
220	ND	0414												4037	9600 W 16 Ω	5	E	110	3.2	
	HD	0515	4220D	1																
250	ND	0515	4220D	1										4037	9600 W 16 Ω	5	E	90	3.2	
315	HD	0675	4220D	2										4045	9600 W 13.6 Ω	6	F	100	3.2	
355	ND	0675	4220D	2										4045	9600 W 13.6 Ω	8	F	120	3.2	
450	HD	0930	4220D	2										4037	9600 W 16 Ω	10	F	100	3.2	
500	ND	0930	4220D	2										4037	9600 W 16 Ω	10	F	90	3.2	
560	HD	1200	4220D	3										4037	9600 W 16 Ω	15	F	120	3.2	
630	ND	1200	4220D	3										4037	9600 W 16 Ω	15	F	100	3.2	

*1 : Refers to a motor coasting to stop with a constant torque load. Constant output and regenerative braking will reduce the duty factor.
 *2 : Assumes the use of a single braking unit. The braking unit should have a resistance higher than the minimum connectable resistance value and be able to generate enough braking torque to stop the motor.
 *3 : Applications with a relatively large amount of regenerative power (elevators, hoists, etc.) may require more braking power than is possible with only the standard braking unit and braking resistor. If the braking torque exceeds the value shown in the table, the capacity of the braking resistor must be increased.
 *4 : When using multiple braking resistors or braking resistor units, connect them in parallel.
 Note: 1. Braking resistor (ERF150WJ and CF120-B579) requires a separate attachment for installation. See attachment for braking resistor unit on page 53.
 2. Use the retrofit attachment when replacing an older model CDBR braking unit (CDBR-□B, CDBR-□C). Refer to TOBP C720600 01 1000-Series Option CDBR, LKEB Installation Manual for more details.
 3. Use the External Heatsink Attachment for installation with the heatsink outside the enclosure. Refer to page 53 for details.
 4. If the built-in fuse on a braking resistor blows, then the entire braking resistor should be replaced.
 5. See the connection diagram on page 50.

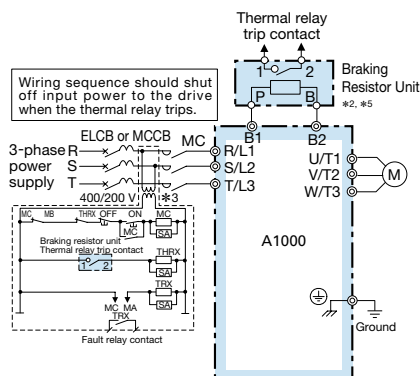


Peripheral Devices and Options (continued)

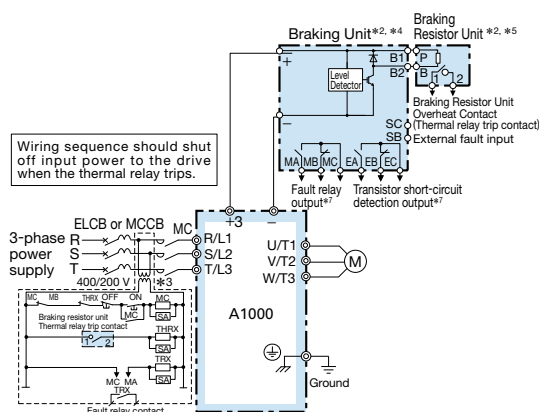
Connection Diagram



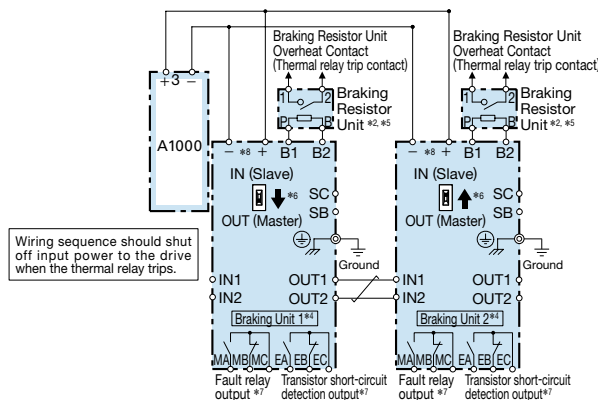
Connection Diagram A



Connection Diagram B

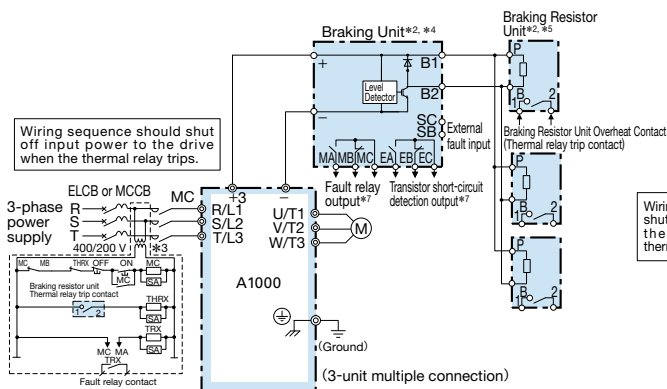


Connection Diagram C

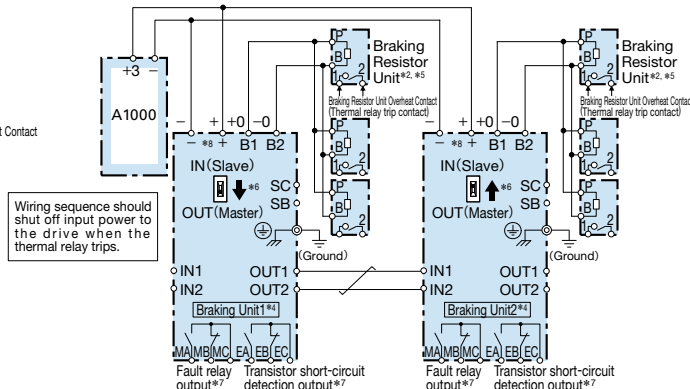


Connection Diagram D

(Braking Units in Parallel^{*9})



Connection Diagram E



Connection Diagram F

(Braking Units in Parallel^{*9})

- *1: Set L8-01 to 1 to enable braking resistor overload protection in the drive when using braking resistors, and set a multi-function input to "Braking Resistor Fault" (H1-□□□□ = D). Wiring sequence should shut off power to the drive when a fault output is triggered. CF120-B579 series does not need to be wired an external sequence.
- *2: Set L3-04 to 0 [Stall Prevention during Decel = Disabled] when using a braking unit, a braking resistor, or a braking resistor unit. If L3-04 is set to 1 [Enabled] (default setting), the drive may not stop within the specified deceleration time.
- *3: 200 V class drives do not require a control circuit transformer.
- *4: Set L8-55 to 0 to disable the protection function for the built-in braking transistor when using a regenerative unit or another type of braking option in lieu of the built-in braking transistor. If the protection function is enabled under these conditions, it may cause a braking resistor fault (rF).
When connecting a separately-installed type braking resistor unit (model

- CDBR) to drives with a built-in braking transistor (200 V/400 V 30 kW or less), connect the B1 terminal of the drive to the positive terminal of the braking resistor unit and connect the negative terminal of the drive to the negative terminal of the braking resistor unit. The B2 terminal is not used in this case.
- *5: Be sure to protect non-Yaskawa braking resistors by thermal overload relay.
- *6: When using more than one braking unit connected in parallel, set one of the braking units as the master, and set the others as slaves.
- *7: Connect fault relay output to multi-function digital input S□□□ (External Fault). Connect the CDBR transistor short-circuit detection output to disconnect main input power to the drive.
- *8: Connect directly to the drive terminal or install a terminal block.
- *9: Contact your Yaskawa or nearest agent when using the braking unit (CDBR-□□□□D) with earlier models (CDBR-□□□□B or CDBR-□□□□C).
- *10: Connect fault relay output to multi-function digital input S□□□ (External Fault).



Model, Code No.
Braking Unit
200 V Class

Model CDBR-□□□□□	Protection Design	Code No.
2022D	IP20	100-091-707
	UL Type 1	100-091-754
2037D	IP20	100-091-712
	UL Type 1	100-091-759
2110D	IP00	100-091-524
	UL Type 1	100-091-530

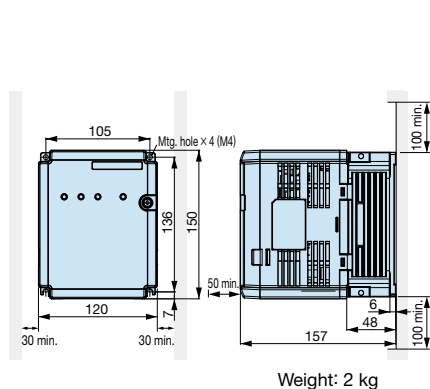
400 V Class

Model CDBR-□□□□□	Protection Design	Code No.
4030D	IP20	100-091-717
	UL Type 1	100-091-764
4045D	IP20	100-091-722
	UL Type 1	100-091-769
4220D	IP00	100-091-526
	UL Type 1	100-091-532

Dimensions (mm)
Braking Unit

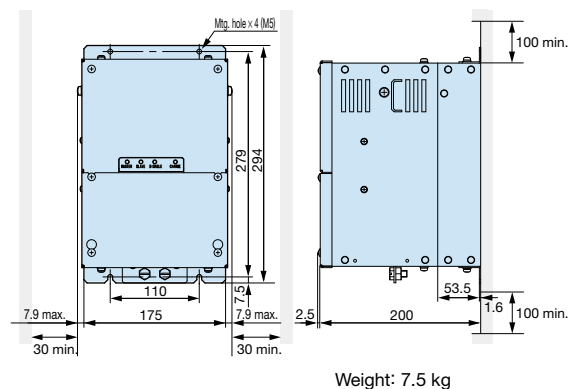
Open-Chassis [IP20]

CDBR-2022D, -2037D, -4030D, -4045D



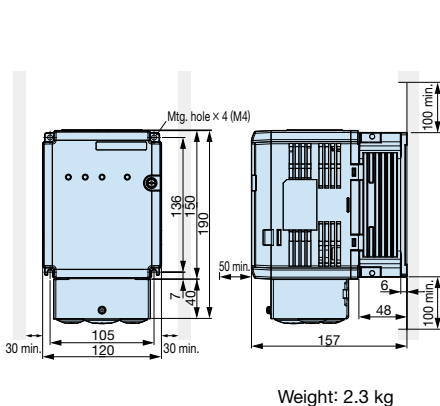
Open-Chassis [IP00]

CDBR-2110D, -4220D

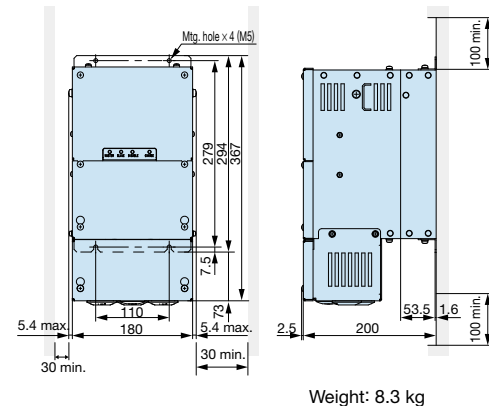


Enclosure Panel [UL Type 1]

CDBR-2022D, -2037D, -4030D, -4045D



CDBR-2110D, -4220D



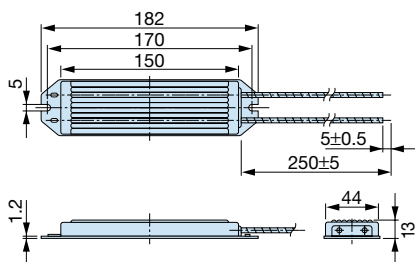
Note: Remove the top protective cover to convert the drive to a UL Type 1 enclosure when installing the drive in a control panel.

Watts Loss

Model CDBR-□□□□□	Watts Loss (W)
2022D	27
2037D	38
2110D	152
4030D	24
4045D	36
4220D	152

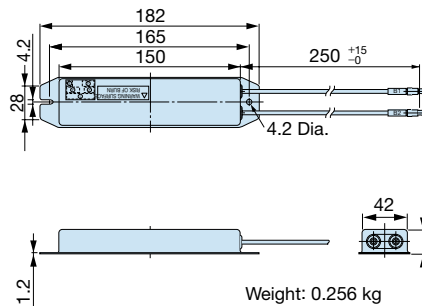
Braking Resistor

A separate attachment is need. Contact Yaskawa for details.
The following attachment can be used to install to the drive.



ERF150WJ series

Weight: 0.2 kg
(All ERF150WJ series models)



CF120-B579 series

Weight: 0.256 kg
(All CF120-B579 series models)

Braking Resistor Unit (stand-alone)

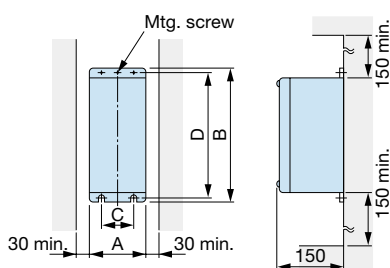


Figure 1

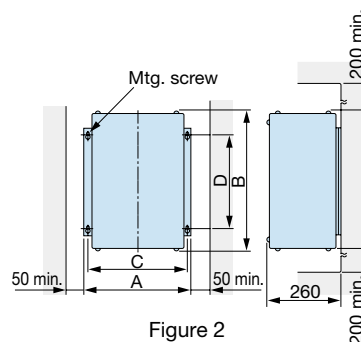


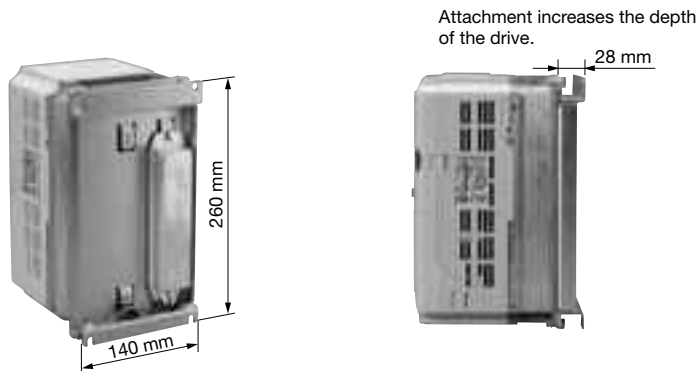
Figure 2

Applicable Voltage Class	Braking Resistor Unit Model LKEB-.....	Figure	Dimensions (mm)					Weight (kg)	Allowable Average Power Consumption (W)				
			A	B	C	D	MTG Screw						
200 V Class	20P7	1	105	275	50	260	M5×3	3.0	30				
	21P5							4.5	60				
	22P2							4.5	89				
	23P7							5.0	150				
	25P5	1	250	350	200	335	M6×4	7.5	220				
	27P5							8.5	300				
	2011							266	246	340	M8×4	10	440
	2015							356	336			15	600
	2018							446	426			19	740
2022	19	880											

Applicable Voltage Class	Braking Resistor Unit Model LKEB-.....	Figure	Dimensions (mm)					Weight (kg)	Allowable Average Power Consumption (W)						
			A	B	C	D	MTG Screw								
400 V Class	40P7	1	105	275	50	260	M5×3	3.0	30						
	41P5							4.5	60						
	42P2							4.5	89						
	43P7							5.0	150						
	45P5	1	250	350	200	335	M6×4	7.5	220						
	47P5							8.5	300						
	4011							2	350	412	330	325	M6×4	16	440
	4015													18	600
	4018													19	740
	4022	2	446	543	426	340	M8×4	19	880						
	4030							25	1200						
	4037							33	1500						
	4045							33	1800						



● Attachment for Braking Resistor



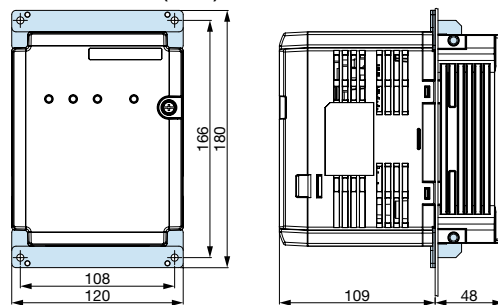
Model	Code No.
EZZ020805A	100-048-123

● Braking Unit External Heatsink Attachment

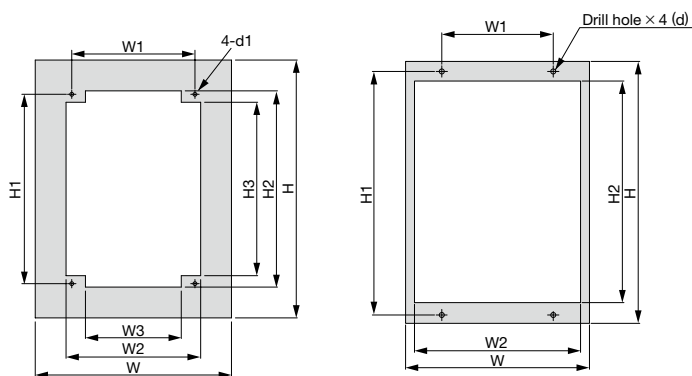
Use the external heatsink attachment for installation with the heatsink outside the enclosure.

Attachment	Model CDBR-[]	Model (Code No.)
	2022D	EZZ021711A (100-066-355)
	2037D	
	4030D	
	4045D	

Dimensions (mm)



● Braking Unit Panel Cutout Dimensions















Modification Figure1

Modification Figure2

Model CDBR-[]	Modification Figure	Dimensions (mm)									
		W*	H*	W1	W2	W3	H1	H2	H3	d1	
2022D	1	172	226	108	118	84	166	172	152	M4	
2037D	1	172	226	108	118	84	166	172	152	M4	
2110D	2	175	294	110	159	—	279	257.8	—	M5	
4030D	1	172	226	108	118	84	166	172	152	M4	
4045D	1	172	226	108	118	84	166	172	152	M4	
4220D	2	175	294	110	159	—	279	257.8	—	M5	

*: The following W, H information is the size when installing the gasket.

● VS System Module (Power Supply Capacity 6 VA or less)

Name (Model)	Exterior	Function
Soft Starter A (JGSM-01) Soft Starter B (JGSM-02)		Provides smooth changes in speed during start, stop, and when sudden changes in the speed reference would otherwise impact the load. Independent accel/decel settings, an output signal during speed changes, and fast stopping features are included. Capable of detecting zero speed and motor direction. Acceleration and deceleration time setting ranges: Soft Starter A: 1.5 to 30 s Soft Starter B: 5 to 90 s
Ratio Setter A (JGSM-03)		Converts the current signal 4 to 20 mA to a voltage signal 0 to 10 V. Sets five types of ratios and biases.
Ratio Setter B (JGSM-04)		Converts the frequency signal 0 to 2 kHz to a voltage signal 0 to 10 V. Sets five types of ratios and biases.
Ratio Setter C (JGSM-17)		Converts a 200 Vac signal, a 30 Vac tachogenerator signal, or a 10 Vdc signal to DC for use as the speed reference. Allows the user to set up to five ratios and biases.
Follower Ratio Setter (JGSM-05)		Converts a frequency signal from a tachogenerator for voltage input. Allows the user to set up to five ratios and biases.
Position Controller (JGSM-06)		Converts a self-synchronizing signal from YVGC-500W*1, then converts that signal to DC voltage proportional to the rotational angle. Equipped with a signal mixing function to minimize deviation from the reference signal.
PID Controller (JGSM-07)		Independently sets ratio gain, integral, and differential time for the simple process control. Integral reset, stepless operation, and wind-up functions are available.
Preamplifier (JGSM-09-□□)*2		Amplifies both the power of DC input signal and output of snap-in function modules JZSP-11 to 16*1.
UP/DOWN Setter (JGSM-10B)		Executes "UP" or "DOWN" command remotely or from several locations by lowering or raising the reference voltage.
Operational Amplifier (JGSM-12-□□)*3		Required operational circuits are provided through a range of operational impedances.
Signal Selector A (JGSM-13)		Consists of power supply circuit and two relay circuits. Used as a selector circuit of control signals.
Signal Selector B (JGSM-14)		Contains three relay circuits to switch between control signals. Must be using in combination with JGSM-13, which supplies power.



Name (Model)	Appearance	Function
Comparator (JGSM-15-□□)*2		Detects signal levels for DC voltage, current, AC tachogenerator, or frequency reference and compares them with two preset levels. The snap-in module*1 is used to drive relays and output contact signals.
V/I Converter (JGSM-16-□□)*2		Converts DC voltage into a 4 to 20 mA current signal for use with other monitoring devices. A snap-in module*1 can also be added to monitor frequency or provide feedback for a tachogenerator.
D/A Converter (JGSM-18) (JGSM-19)		Converts BCD 3-digit or 12-bit binary digital signals to analog signals of -10 to +10 V with high accuracy. Model JGSM-18: For BCD 3-digit input signals Model JGSM-19: For 12-bit binary signals
Static Potentiometer (JGSM-21 D/A Converter) (JGSM-22 Controller)		Static potentiometer can be used in combination with remote setting device JGSM-10B for the following applications: <ul style="list-style-type: none"> · Maintain reference values despite power loss · Set deceleration times externally · Operate as a soft-starter for an analog signal JGSM-21 and JGSM-22 must be used in combination with one another.

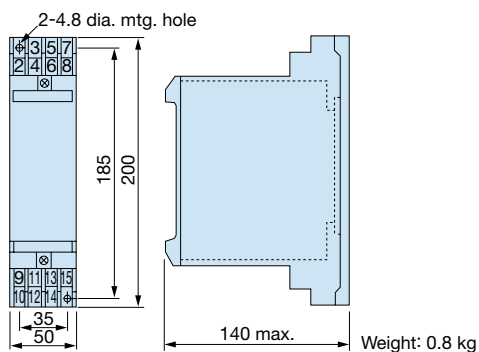
*1: Offered as a standard Yaskawa product.

*2: □□ shows model number of VS snap-in function modules. Refer to the VS Snap-in Module list for more information.

*3: □□ indicates impedance class.

Note: Both 200 V/220 V at 50 Hz/60 Hz are available as standard models. Use a transformer for other power supplies with a capacity of 6 VA or less.

VS System Module Dimensions (mm)



VS Snap-in Module List

Application	Name	Model
Short-circuit of mounting connector of VS snap-in module	Short-circuit PC board	JZSP-00
Buffer accel/decel operation	Soft starter	JZSP-12
Conversion of the current signal 4 to 20 mA, such as for process adjusting meters, to a voltage signal of 0 to 10 V.	I/V converter	JZSP-13
Conversion of the frequency signal 0 to 2 kHz to a voltage signal 0 to 10 V.	f/V converter	JZSP-14
Sequence operation with main unit	Tachogenerator follower	JZSP-15
Amplify or reduce signal	Signal mixer	JZSP-16□□
		JZSP-16-01
		JZSP-16-02
		JZSP-16-03

LCD Operator

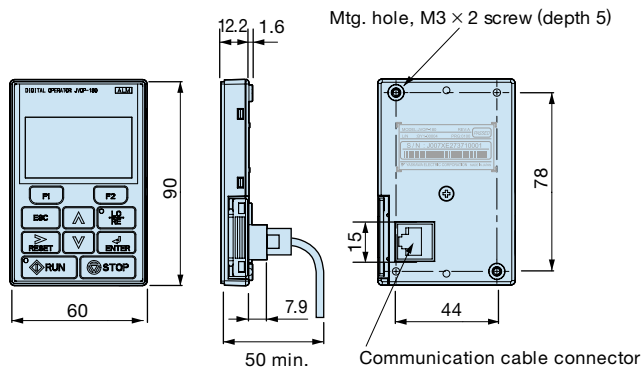
An LCD operator with a 6-digit display makes it easy to check the necessary information. Includes a copy function for saving drive settings.

Model	Code No.
JVOP-180	100-142-915



LCD operator

Dimensions (mm)



Operator Extension Cable

Enables remote operation

Model	Code No.	Remarks
WV001 (1 m)	WV001	<ul style="list-style-type: none"> · RJ-45, 8-pin straight-through · UTP CAT5e cable (1 m/3 m)
WV003 (3 m)	WV003	<ul style="list-style-type: none"> · Note: Use straight-through cable. · Other cables will cause drive failure.

Note: 1. Never use this cable for connecting the drive to a PC. Doing so may damage the PC.
2. You can also use a commercially available LAN cable (straight-through) for the operator extension cable.



LCD operator extension cable



LED operator (standard) (JVOP-182)



LCD operator (JVOP-180)

Operator Mounting Bracket

This bracket is required to mount the LED or LCD operator outside an enclosure panel.

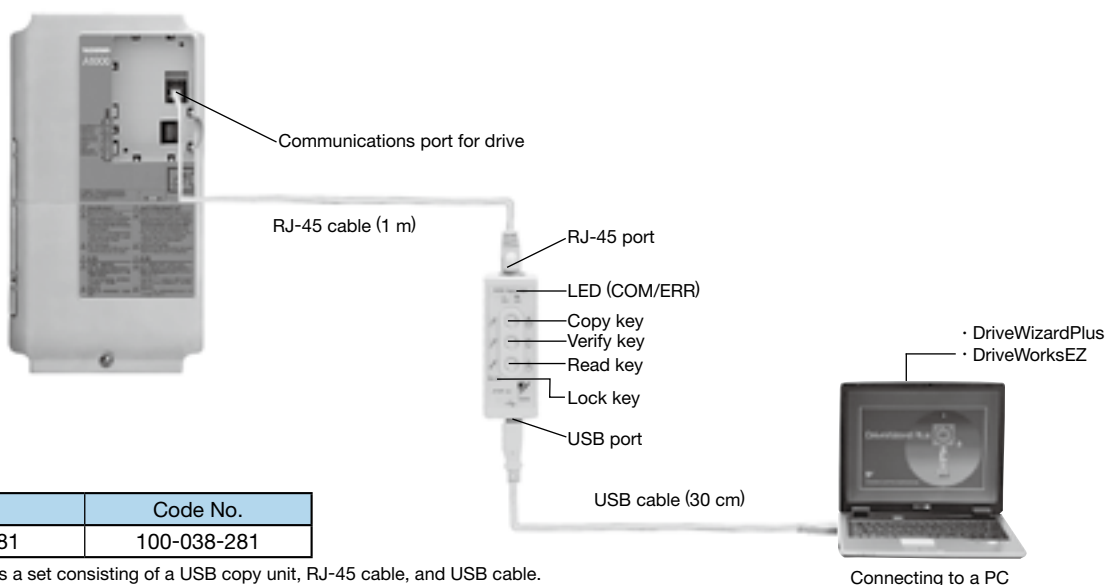
Item	Model	Code No.	Installation	Notes
<p>Installation Support Set A</p>	EZZ020642A	100-039-992		For use with holes through the panel
<p>Installation Support Set B</p>	EZZ020642B	100-039-993		<p>For use with panel mounted threaded studs</p> <p>Note: If weld studs are on the back of the panel, use the Installation Support Set B.</p>



● USB Copy Unit (Model: JVOP-181)

Copy parameter settings in a single step, then transfer those settings to another drive. Connects to the RJ-45 port on the drive and to the USB port of a PC.

Connection



Model	Code No.
JVOP-181	100-038-281

Note: JVOP-181 is a set consisting of a USB copy unit, RJ-45 cable, and USB cable.

Specifications

Item	Specifications	
Port	LAN (RJ-45) Connect to the drive.	
	USB (Ver.2.0 compatible) Connect to the PC as required.	
Power Supply	Supplied from a PC or the drive	
Operating System	OS compatible with 32-bit memory	Windows 2000
	OS compatible with 32-bit and 64-bit memory	Windows XP
Memory	Memorizes the parameters for one drive.	
Dimensions	30 (W)×80 (H)×20 (D) mm	
Accessories	RJ-45 Cable (1 m), USB Cable (30 cm)	

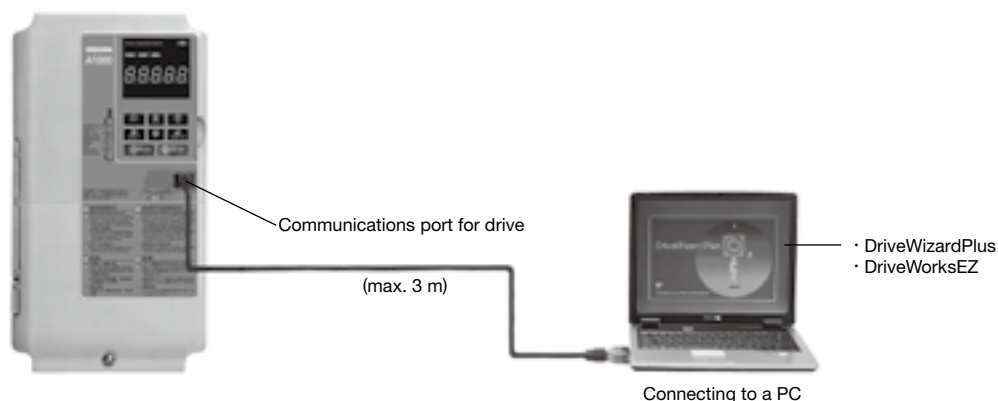
- Note: 1. Drives must have identical software versions to copy parameters settings.
 2. Requires a USB driver.
 You can download the driver for free from Yaskawa's product and technical information website (<http://www.e-mechatronics.com>).
 3. Parameter copy function disabled when connected to a PC.

- Note: 1. You can also use a commercially available USB 2.0 cable (with A-B connectors) for the USB cable.
 2. No USB cable is needed to copy parameters to other drives.

● PC Cable

Cable to connect the drive to a PC with DriveWizard Plus or DriveWorksEZ installed. Use a commercially available USB 2.0 cable (A-B connectors, max. 3 m).

Connection



- Note: 1. DriveWizard Plus is a PC software package for managing parameters and functions in Yaskawa drives. To order this software, contact your Yaskawa. DriveWorksEZ is the software for creating custom application programs for the drive through visual programming. To order this software, contact our sales representative.
 2. Requires USB driver. You can download the driver for free from Yaskawa's product and technical information website (<http://www.e-mechatronics.com>).

Note: You can also use the JVOP-181 copy unit and cables as the USB cable.

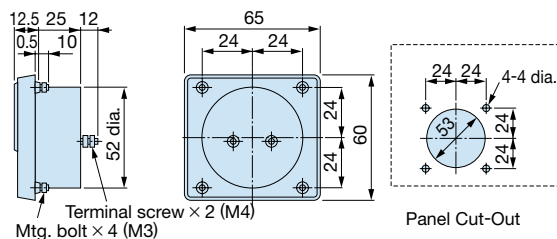
Frequency Meter/Current Meter



Model	Code No.
Scale-75 Hz full-scale: DCF-6A	FM000065
Scale-65/130 Hz full-scale: DCF-6A	FM000085
Scale-5 A full-scale: DCF-6A	DCF-6A-5A
Scale-10 A full-scale: DCF-6A	DCF-6A-10A
Scale-20 A full-scale: DCF-6A	DCF-6A-20A
Scale-30 A full-scale: DCF-6A	DCF-6A-30A
Scale-50 A full-scale: DCF-6A	DCF-6A-50A

Note: DCF-6A specifications are 3 V, 1 mA, and 3 k Ω inner impedance. Because the A1000 multi-function analog monitor output default setting is 0 to 10 V, set frequency meter adjusting potentiometer (20 k Ω) or parameter H4-02 (analog monitor output gain) within the range of 0 to 3 V.

Dimensions (mm)



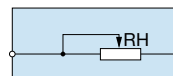
Panel Cut-Out
Weight: 0.3 kg

Variable Resistor Board (installed to drive terminals)



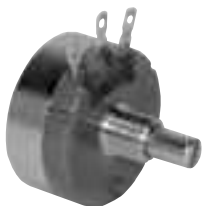
Model	Code No.
Meter scale 20 k Ω	ETX3120

Connection Diagram



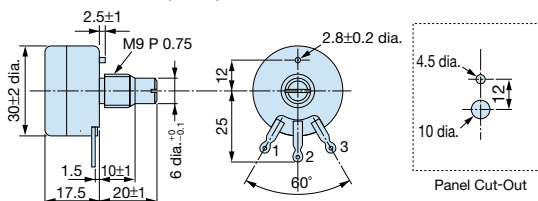
Weight: 20 g

Frequency Setting Potentiometer/Frequency Meter Adjusting Potentiometer



Model	Code No.
RV30YN20S 2 k Ω	RH000739
RV30YN20S 20 k Ω	RH000850

Dimensions (mm)



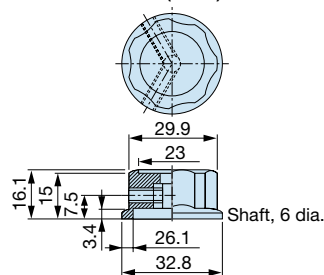
Weight: 0.2 kg

Control Dial for Frequency Setting Potentiometer/Frequency Meter Adjusting Potentiometer



Model	Code No.
CM-3S	HLNZ-0036

Dimensions (mm)

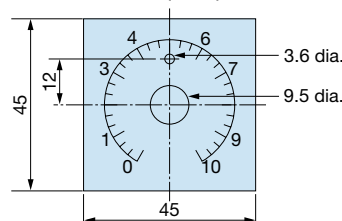


Meter Plate for Frequency Setting Potentiometer/Frequency Meter Adjusting Potentiometer



Model	Code No.
NPJT41561-1	NPJT41561-1

Dimensions (mm)



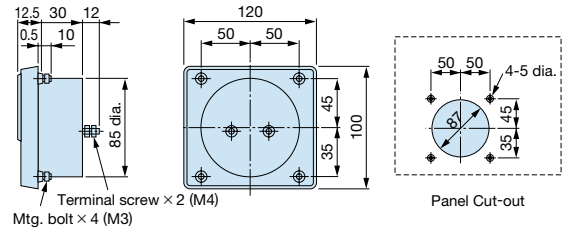


● Output Voltage Meter

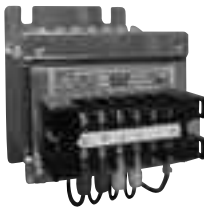


Model	Code No.
Scale-300 V full-scale (Rectification Type Class 2.5: SCF-12NH)	VM000481
Scale-600 V full-scale (Rectification Type Class 2.5: SCF-12NH)	VM000502

Dimensions (mm)



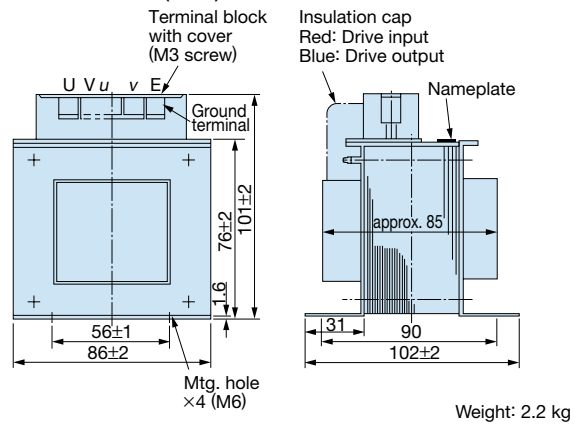
● Potential Transformer



Model	Code No.
600 V meter for voltage transformer UPN-B 440/110 V (400/100 V)	100-011-486

Note: For use with a standard voltage regulator.
A standard voltage regulator may not match the drive output voltage. Select a regulator specifically designed for the drive output (100-011-486), or a voltmeter that does not use a transformer and offers direct read out.

Dimensions (mm)



Application Notes

Selection

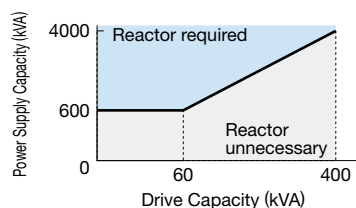
■ Installing a Reactor

An AC or DC reactor can be used for the following situations:

- when the power supply is 600 kVA or more.
- to smooth peak current that results from switching a phase advance capacitor.
- to improve the power supply power factor.

A DC reactor comes standard with 200 V and 400 V class models with a capacity of 22 kW or more.

Use an AC reactor when also connecting a thyristor converter to the same power supply system, regardless of the conditions of the power supply.



■ Drive Capacity

Make sure that the motor's rated current is less than the drive's output current. When running a specialized motor or more than one motor in parallel from a single drive, the capacity of the drive should be larger than 1.1 times of the total motor rated current.

■ Starting Torque

The overload rating for the drive determines the starting and accelerating characteristics of the motor. Expect lower torque than when running from line power. To get more starting torque, use a larger drive or increase both the motor and drive capacity.

■ Emergency Stop

When the drive faults out, a protective circuit is activated and drive output is shut off. This, however, does not stop the motor immediately. Some type of mechanical brake may be needed if it is necessary to halt the motor faster than the Fast Stop function is able to.

■ Options

The B1, B2, -, +1, +2 and +3 terminals are used to connect optional devices. Connect only A1000-compatible devices.

■ Repetitive Starting/Stopping

Cranes (hoists), elevators, punching presses, and other such applications with frequent starts and stops often exceed 150% of their rated current values. Heat stress generated from repetitive high current can shorten the lifespan of the IGBTs. The expected lifespan for the

IGBTs is about 8 million start and stop cycles with a 2 kHz carrier frequency and a 150% peak current.

Yaskawa recommends lowering the carrier frequency, particularly when audible noise is not a concern. The user can also choose to reduce the load, increase the acceleration and deceleration times, or switch to a larger drive. This will help keep peak current levels under 150%. Be sure to check the peak current levels when starting and stopping repeatedly during the initial test run, and make adjustments accordingly.

For cranes and other applications using the inching function in which the drives starts and stops the motor repeatedly, Yaskawa recommends the following steps to ensure torque levels:

- Select a large enough drive so that peak current levels remain below 150%.
- The drive should be one frame size larger than the motor.

- As the carrier frequency of the drive is increased above the factory default setting, the drive's rated output current must be derated. Refer to the instruction manual of the drive for details on this function.

Installation

■ Enclosure Panels

Keep the drive in a clean environment by either selecting an area free of airborne dust, lint, oil mist, corrosive gas, and flammable gas, or install the drive in an enclosure panel. Leave the required space between the drives to provide for cooling, and take steps to ensure that the ambient temperature remains within allowable limits. Keep flammable materials away from the drive. If the drive must be used in an area where it is subjected to oil mist and excessive vibration, protective designs are available. Contact Yaskawa for details.

■ Installation Direction

The drive should be installed upright as specified in the manual.

■ External Heatsink

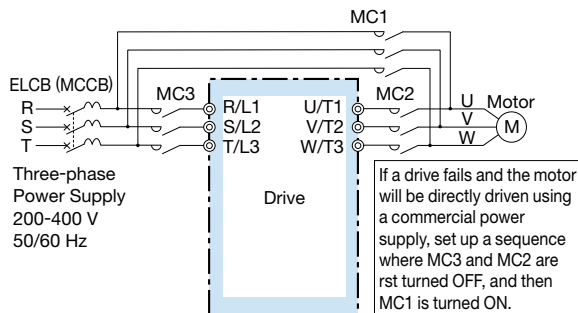
When using an external heatsink, UL compliance requires that exposed capacitors in the main circuit are covered to prevent injury to surrounding personnel. The portion of the external heatsink that projects out can either be protected with the enclosure, or with the appropriate capacitor cover after drive installation is complete. Contact Yaskawa for information on capacitor covers.



■ Installation of Bypass Circuit

If the fuse blows or the circuit breaker (MCCB) trips, check the cable wiring and selection of peripheral devices and identify the cause. If the cause cannot be identified, do not turn ON the power supply or operate the device. Contact your Yaskawa representative.

If a drive fails and the motor will be directly driven using a commercial power supply, install the bypass circuit shown in the diagram below. If this bypass circuit is not installed, remove the drive and then connect the motor to a commercial power supply. (In other words, after disconnecting the cables connected to the main circuit terminals, such as main circuit power supply input terminals R/L1, S/L2, and T/L3 and drive output terminals U/T1, V/T2, and W/T3, connect the motor to a commercial power supply.)



Settings

- Use V/f Control when running multiple induction motors at the same time.
- If using Open Loop Vector Control designed for permanent magnet motors, make sure that the proper motor code has been set to parameter E5-01 before performing a trial run.
- Upper Limits

Because the drive is capable of running the motor at up to 400 Hz, be sure to set the upper limit for the frequency to control the maximum speed. The default setting for the maximum output frequency is 60 Hz.
- DC Injection Braking

Motor overheat can result if there is too much current used during DC Injection Braking, or if the time for DC Injection Braking is too long.
- Acceleration/Deceleration Times

Acceleration and deceleration times are affected by how much torque the motor generates, the load torque, and the inertia moment ($GD^2/4$). Set a longer accel/decel time when Stall Prevention is enabled. The accel/decel

times are lengthened for as long as the Stall Prevention function is operating. For faster acceleration and deceleration, increase the capacity of the drive.

General Handling

■ Wiring Check

Never short the drive output terminals or apply voltage to output terminals (U/T1, V/T2, W/T3), as this can cause serious damage to the drive. Doing so will destroy the drive. Be sure to perform a final check of all sequence wiring and other connections before turning the power on. Make sure there are no short circuits on the control terminals (+V, AC, etc.), as this could damage the drive.

■ Magnetic Contactor Installation

Avoid switching a magnetic contactor on the power supply side more frequently than once every 30 minutes. Frequent switching can cause damage to the drive.

■ Inspection and Maintenance

After shutting off the drive, make sure the CHARGE light has gone out completely before performing any inspection or maintenance. Residual voltage in drive capacitors can cause serious electric shock.

The heatsink can become quite hot during operation, and proper precautions should be taken to prevent burns. When replacing the cooling fan, shut off the power and wait at least 15 minutes to be sure that the heatsink has cooled down.

■ Wiring

Make sure to use ring tongue solderless terminals when wiring UL/cUL-certified drives. Use the tools recommended by the terminal manufacturer for caulking.

■ Transporting the Drive

- Never steam clean the drive. During transport, keep the drive from coming into contact with salts, fluorine, bromine and other such harmful chemicals.
- When hoisting a CIMR-A□4A0930 or a CIMR-A□4A1200 drive while it is upright, be sure to re-fit the eyebolts on its top panel and suspend it at four points at the top. Otherwise the drive can fall and cause injuries. Refer to the instruction manual for details.

● Peripheral Devices

■ Installing a Ground Fault Interrupter or an MCCB

Be sure to install an MCCB or an ELCB that is recommended by Yaskawa at the power supply side of the drive to protect internal circuitry. With a CIMR-A□4A0930 or a CIMR-A□4A1200, be sure to install a fuse in conjunction with the MCCB or ELCB. The type of MCCB is selected depending on the power supply power factor (power supply voltage, output frequency, load characteristics, etc.). Sometimes a fairly large MCCB may be required due to the affects of harmonic current on operating characteristics. If you do not use a recommended ELCB, use one fitted for harmonic suppression measures and designed specifically for drives. A malfunction may occur due to high-frequency leakage current, so the rated current of the ELCB must be 30 mA or higher per drive unit. If a malfunction occurs in an ELCB without any countermeasures, reduce the carrier frequency of the drive, replace the ELCB with one that has countermeasures against high frequency, or use an ELCB which has a rated current of 200 mA or higher per drive unit.

Select an MCCB or an ELCB with a rated capacity greater than the short-circuit current for the power supply. For a fairly large power supply transformer, a fuse can be added to the ELCB or MCCB in order to handle the short-circuit current level.

■ Magnetic Contactor for Input Power

Use a magnetic contactor (MC) to ensure that power to the drive can be completely shut off when necessary. The MC should be wired so that it opens when a fault output terminal is triggered.

Even though an MC is designed to switch to a momentary power loss, frequent MC use can damage other components. Avoid switching the MC more than once every 30 minutes. The MC will not be activated after a momentary power loss if using the operator keypad to run the drive. This is because the drive is unable to restart automatically when set for LOCAL. Although the drive can be stopped by using an MC installed on the power supply side, the drive cannot stop the motor in a controlled fashion, and it will simply coast to stop. If a braking resistor or dynamic braking unit has been installed, be sure to set up a sequence that opens the MC with a thermal protector switch connected to the braking resistor device.

■ Magnetic Contactor for Motor

As a general principle, the user should avoid opening and closing the magnetic contactor between the motor and the drive during run. Doing so can cause high peak currents and overcurrent faults. If magnetic contactors are used to bypass the drive by connecting the motor to the power supply directly, make sure to close the bypass only after the drive is

stopped and fully disconnected from the motor. The Speed Search function can be used to start a coasting motor. Use an MC with delayed release if momentary power loss is a concern.

■ Motor Thermal Over Load Relay Installation

Although the drive comes with built in electrothermal protection to prevent damage from overheat, a thermal relay should be connected between the drive and each motor if running several motors from the same drive. For a multi-pole motor or some other type of non-standard motor, Yaskawa recommends using an external thermal relay appropriate for the motor. Be sure to disable the motor protection selection parameter (L1-01 = 0), and set the thermal relay or thermal protection value to 1.1 times the motor rated current listed on the motor nameplate. When long motor cables and high carrier frequency are used, nuisance tripping of the thermal relay may occur due to increased leakage current. Therefore, reduce the carrier frequency or increase the tripping level of the thermal overload relay.

■ Improving the Power Factor

Installing a DC or AC reactor to the input side of the drive can help improve the power factor.

Refrain from using a capacitor or surge absorber on the output side as a way of improving the power factor, because high-frequency contents on the output side can lead to damage from overheat. This can also lead to problems with overcurrent.

■ Radio Frequency Interference

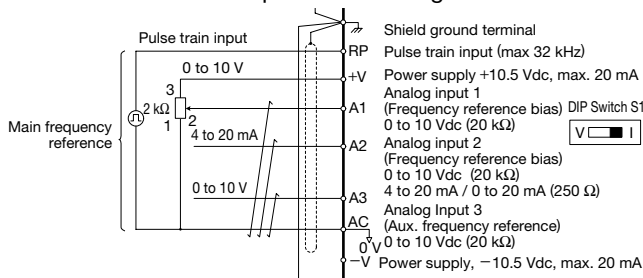
Drive output contains high-frequency contents that can affect the performance of surrounding electronic instruments such as an AM radio. These problems can be prevented by installing a noise filter, as well as by using a properly grounded metal conduit to separate wiring between the drive and motor.

■ Wire Gauges and Wiring Distance

Motor torque can suffer as a result of voltage loss across a long cable running between the drive and motor, especially when there is low frequency output. Make sure that a large enough wire gauge is used. The optional LCD operator requires a proprietary cable to connect to the drive. If an analog signal is used to operate the drive via the input terminals, make sure that the wire between the analog operator and the drive is no longer than 50 m, and that it is properly separated from the main circuit wiring. Use reinforced circuitry (main circuit and relay sequence circuitry) to prevent inductance from surrounding devices. To run the drive



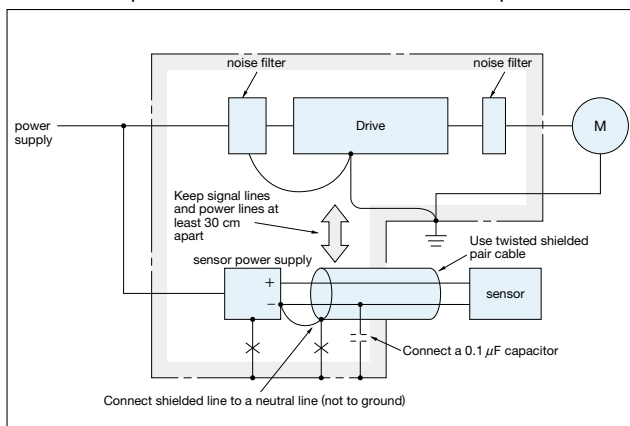
with a frequency potentiometer via the external terminals, use twisted shielded pair cables and ground the shield.



Counteracting Noise

Because A1000 is designed with PWM control, a low carrier frequency tends to create more motor flux noise than using a higher carrier frequency. Keep the following points in mind when considering how to reduce motor noise:

- Lowering the carrier frequency (C6-02) minimizes the effects of noise.
- A line noise filter can reduce the affects on AM radio frequencies and poor sensor performance. See "Options and Peripheral Devices" on page 34.
- Make sure the distance between signal and power lines is at least 10 cm (up to 30 cm is preferable), and use twisted pair cable to prevent induction noise from the drive power lines.



<Provided by JEMA>

Leakage Current

High-frequency leakage current passes through stray capacitance that exists between the power lines to the drive, ground, and the motor lines. Consider using the following peripheral devices to prevent problems with leakage current.

	Problem	Solution
Ground Leakage Current	MCCB is mistakenly triggered	<ul style="list-style-type: none"> • Lower the carrier frequency set to parameter C6-02. • Try using a component designed to minimize harmonic distortion for the MCCB such as the NV series by Mitsubishi.
Current Leakage Between Lines	Thermal relay connected to the external terminals is mistakenly triggered by harmonics in the leakage current	<ul style="list-style-type: none"> • Lower the carrier frequency set to parameter C6-02. • Use the drive's built-in thermal motor protection function.

The following table shows the guidelines for the set value of the carrier frequency relative to the wiring distance between the drive and the motor when using V/f control.

Wiring Distance*	50 m or less	100 m or less	100 m or more
C6-02:	1 to A	1, 2, 7 to A	1, 7 to A
Carrier Frequency Selection	(15 kHz or less)	(5 kHz or less)	(2 kHz or less)

*: When a single drive is used to run multiple motors, the length of the motor cable should be calculated as the total distance between the drive and each motor.

When the wiring distance exceeds 100 m, use the drive observing the following conditions.

- Select V/f control mode (A1-02=0)
- To start a coasting motor
 - a) Use the current detection type (b3-24=0) when using the speed search function, or
 - b) Set the DC injection braking time at start (b2-03=0.01 to 10.00 sec) to stop a coasting motor and restart it.

More than one synchronous motor cannot be connected to a single drive. The maximum wiring distance between the drive and the synchronous motor must be 100 m.

Notes on Motor Operation

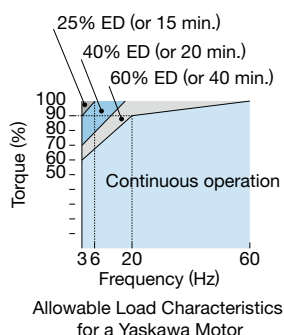
Motor Bearing Life

In applications involving constant speed over long periods, such as fans, pumps, extruders, and textile machinery, the life of the motor bearing may be shortened. This is called bearing electrolytic corrosion. The installation of a zero-phase reactor between the drive and motor, and the utilization of a motor with insulated bearings are effective countermeasures. Details can be found in the technical documentation. Contact your Yaskawa or nearest sales representative for more information.

Using a Standard Motor

Low Speed Range

There is a greater amount of loss when operating a motor using an drive than when running directly from line power. With a drive, the motor can become quite hot due to the poor ability to cool the motor at low speeds. The load torque should be reduced accordingly at low speeds. The figure above shows the allowable load characteristics for a Yaskawa standard motor. A motor designed specifically for operation with a drive should be used when 100% continuous torque is needed at low speeds.



Insulation Tolerance

Consider voltage tolerance levels and insulation in applications with an input voltage of over 440 V or particularly long wiring distances.

High Speed Operation

Problems may occur with the motor bearings and dynamic balance in applications operating at over 60 Hz. Contact Yaskawa for consultation.

Torque Characteristics

Torque characteristics differ when operating directly from line power. The user should have a full understanding of the load torque characteristics for the application.

Vibration and Shock

A1000 lets the user choose between high carrier PWM control and low carrier PWM. Selecting high carrier PWM can help reduce motor oscillation. Keep the

following points in mind when using high carrier PWM:

- (1) Resonance
 - Take particular caution when using a variable speed drive for an application that is conventionally run from line power at a constant speed. Shock-absorbing rubber should be installed around the base of the motor and the Jump Frequency selection should be enabled to prevent resonance.
- (2) Any imperfection on a rotating body increases vibration with speed.
 - Caution should be taken when operating above the motor rated speed.
- (3) Subsynchronous Resonance
 - Subsynchronous resonance may occur in fans, blowers, turbines, and other applications with high load inertia, as well as in motors with a relatively long shaft. Yaskawa recommends using Closed Loop Vector Control for such applications.

Audible Noise

Noise created during run varies by the carrier frequency setting. Using a high carrier frequency creates about as much noise as running from line power. Operating above the rated speed (i.e., above 60 Hz), however, can create unpleasant motor noise.

Using a Synchronous Motor

- Please contact us for consultation when using a synchronous motor not already approved by Yaskawa.
- For applications running a synchronous motor with the drive set for Heavy Duty performance (particularly hoists and conveyor applications), use Closed Loop Vector Control for PM (A1-02 = 7). Contact Yaskawa for details.
- When the power to a drive running a PM motor is shut off, voltage continues to be generated at the motor terminals while the motor coasts to stop. Take the precautions described below to prevent shock and injury:
 - Applications where the machine can still rotate even though the drive has fully stopped should have a load switch installed to the output side of the drive. Yaskawa recommends manual load switches from the AICUT LB Series by Aichi Electric Works Co., Ltd.
 - Do not connect to a load that could potentially rotate the motor faster than the maximum allowable speed even when the drive has been shut off.
 - Wait at least one minute after opening the load switch on the output side before inspecting the drive or performing any maintenance.



- Do not open and close the load switch while the motor is running, as this can damage the drive.
- If the motor is coasting, make sure the power to the drive is turned on and the drive output has completely stopped before closing the load switch.

- Synchronous motors cannot be started directly from line power. Applications requiring line power to start should use an induction motor with the drive.
- A single drive is not capable of running multiple synchronous motors at the same time. Use a standard induction motor for such setups.
- At start, a synchronous motor may rotate slightly in the opposite direction of the Run command depending on parameter settings and motor type.
- The amount of starting torque that can be generated differs by the type of motor being used. Set up the motor with the drive after verifying the starting torque, allowable load characteristics, impact load tolerance, and speed control range.
- Even with a braking resistor, braking torque is less than 125% when running between 20% to 100% speed, and falls to less than half the braking torque when running at less than 20% speed.
- The allowable load inertia moment is 50 times less than the motor inertia moment. Contact Yaskawa concerning applications with a larger inertia moment.
- When using a holding brake, release the brake prior to starting the motor. Failure to set the proper timing can result in speed loss. Conveyor, transport, and hoist applications using a holding brake should run an IPM motor in Closed Loop Vector Control for PM motors.
- To restart a coasting motor rotating at over 200 Hz, use the Short Circuit Braking* function to first bring the motor to a stop. Short Circuit Braking requires a special braking resistor. Speed Search can be used to restart a coasting motor rotating slower than 200 Hz. If the motor cable is relatively long, however, the motor should instead be stopped using Short Circuit Braking and then restarted.

*: Short Circuit Braking creates a short-circuit in the motor windings to forcibly stop a coasting motor.

● Applications with Specialized Motors

■ Multi-Pole Motor

Because the rated current will differ from a standard motor, be sure to check the maximum current when selecting a drive. Always stop the motor before switching between the number of motor poles. If a regenerative overvoltage fault occurs or if overcurrent protection is triggered, the motor will coast to stop.

■ Submersible Motor

Because motor rated current is greater than a standard motor, select the drive capacity accordingly. Be sure to use a large enough motor cable to avoid decreasing the maximum torque level on account of voltage drop caused by a long motor cable.

■ Explosion-Proof Motor

Both the motor and drive need to be tested together to be certified as explosion-proof. The drive is not for explosion proof areas.

An explosion-proof pulse generators (PG) is used for an explosion-proof with voltage tolerance. Use a specially designed pulse coupler between the drive and the PG when wiring.

■ Geared Motor

Continuous operation specifications differ by the manufacturer of the lubricant. Due to potential problems of gear damage when operating at low speeds, be sure to select the proper lubricant. Consult with the manufacturer for applications that require speeds greater than the rated speed range of the motor or gear box.

■ Single-Phase Motor

Variable speed drives are not designed for operating single phase motors. Using a capacitor to start the motor causes high-frequency current to flow into the capacitors, potentially causing damage. A split-phase start or a repulsion start can end up burning out the starter coils because the internal centrifugal switch is not activated. A1000 is for use only with 3-phase motors.

■ Uras Vibrator

Uras vibrator is a vibration motor that gets power from centrifugal force by rotating unbalanced weights on both ends of the shaft. Make the following considerations when selecting a drive for use with an Uras vibrator:



- (1) Uras vibrator should be used within the drive rated frequency
- (2) Use V/f Control
- (3) Increase the acceleration time five to fifteen times longer than would normally be used due to the high amount of load inertia of an Uras vibrator
Note: A drive with a different capacity must be selected if the acceleration time is less than 5 s.
- (4) Drive may have trouble starting due to undertorque that results from erratic torque (static friction torque at start)

■ Motor with Brake

Caution should be taken when using a drive to operate a motor with a built-in holding brake. If the brake is connected to the output side of the drive, it may not release at start due to low voltage levels. A separate power supply should be installed for the motor brake. Motors with a built-in brake tend to generate a fair amount of noise when running at low speeds.

Power Driven Machinery (decelerators, belts, chains, etc.)

Continuous operation at low speeds wears on the lubricating material used in gear box type systems to accelerate and decelerate power driven machinery. Caution should also be taken when operating at speeds above the rated machine speed due to noise and shortened performance life.



YASKAWA AC Drive Series



Name	Feature	Capacity Range (kW)		Outline
		0.1	1 10 100 300 630	
J1000	Compact V/f Control AC Drive	Three-Phase 200 V Class	0.1 5.5	<ul style="list-style-type: none"> Ultra-small body enables side-by-side installation. Compact design of enclosure panel Easy operation with the /Potentiometer Option Unit The noise-suppressing Swing PWM system reduces harsh sound. The full-range fully-automatic torque boost function provides high torque output. (100%/1.5 Hz, 150%/3 Hz) The Stall Prevention function and the momentary power loss ride-thru ensure continuous operation, regardless of load/power supply fluctuations or momentary power loss. The Overexcitation braking function enables rapid braking, without using a braking resistor.
		Single-Phase 200 V Class	0.1 2.2	
		Three-Phase 400 V Class	0.2 5.5	
V1000	Compact Vector Control AC Drive	Three-Phase 200 V Class	0.1 18.5	<ul style="list-style-type: none"> Small body and high performance (Current vector control) For both induction motors and synchronous motors (IPMM/SPMM) High starting torque: 200%/0.5 Hz* Torque limit function * At Heavy Duty rating, for induction motors with 3.7 kW or lower Application-specific function selection for simplified optimum setup Easy maintenance using the detachable terminal block with the parameter backup function
		Single-Phase 200 V Class	0.1 3.7	
		Three-Phase 400 V Class	0.2 18.5	
A1000	Advanced Vector Control AC Drive	Three-Phase 200 V Class	0.4 110	<ul style="list-style-type: none"> For both induction motors and synchronous motors (IPMM/SPMM) High starting torque IPM motor without a motor encoder: 0 r/min 200% torque Application preset function selection for simplified optimum setup Easy maintenance using the detachable terminal block with the parameter backup function
		Three-Phase 400 V Class	0.4 630	
Varispeed G7	General-purpose Inverter With Advanced Vector Control Minimal Noise	Three-Phase 200 V Class	0.4 110	<ul style="list-style-type: none"> The 400 V class uses 3-level control for a more perfect output waveform. Open Loop Vector control ensures 150% or higher torque during operation at 0.3 Hz. Flux Vector Control provides a high torque of 150% at zero speed. Easy maintenance and inspection using the detachable control circuit terminals and the detachable cooling fan. Software for various applications (for crane, hoist, etc.) The Auto-Tuning function upgrades all types of general motors to be compatible with high-performance drives.
		Three-Phase 400 V Class	0.4 300	
U1000	Low Harmonics Regenerative Matrix Converter	Three-Phase 200 V Class	5.5 55*	<ul style="list-style-type: none"> Drastically reduced power supply harmonics and improved harmonics environment. Power regeneration function with even greater energy efficiency. All-in-one design accomplished reduced wiring and saving space. Motor drive state-of-the-art technology, induction motor and, of course, synchronous motor drive are also possible. Commercial power supply can be switched without peripheral phase detectors and contactors. The visual programming function DriveWorksEZ is installed as standard, easily customized, and can be freely used on a PC.
		Three-Phase 400 V Class	2.2 500*	
ECOiPM Drive	Compact and Energy Efficiency Drives	Three-Phase 200 V Class	0.4 15	<ul style="list-style-type: none"> Grade higher than IE3 efficiency class saves energy during operation. V1000 drives combined with compact ECOiPM motors make more compact and lighter drive systems. Less maintenance because bearing grease life is approx. three times longer compared to use with induction motors. Improved reliability with elimination of an encoder of precision device.
		Three-Phase 400 V Class	0.4 15	
V1000pico Drive	Super Compact and Environmentally Drives	Three-Phase 200 V Class	0.1 0.75	<ul style="list-style-type: none"> V1000 drives combined with super compact V1000pico motors make more compact and lighter drive systems. Applicable in locations subject to water jets or abrasive powder with its protective enclosure rated IP65 or higher. Improved reliability with elimination of an encoder of precision device. Use of V1000 drives, which can control not only induction motors but also synchronous motors, brings the uniformity of your stock.
Special Use L1000A	Elevator Applications	Three-Phase 200 V Class	1.5 110	<ul style="list-style-type: none"> Cutting-edge drive technology allows L1000A to run a newly installed gearless synchronous motor, or a refurbished geared induction motor. This minimizes equipment required for your application. Interfaces to match gearless, synchronous motors and every type of absolute encoder. Even without a load sensor, high-performance torque compensation and high-resolution absolute encoder eliminate rollback when the brake is released. Output interrupt Satisfies safety requirements and Ensures a reliable elevator system. Rescue Operation switches to backup battery or UPS in case of a power outage. All standard models are compliant with the Europe's RoHS directive.
		Three-Phase 400 V Class	1.5 110	

*: Units are displayed in kW. When selecting a model, make sure that the rated output current is higher than the motor rating current.



● Warranty Information

■ Warranty Period

The period is 12 months from the date the product is first used by the buyer, or 18 months from the date of shipment, whichever occurs first.

■ Post-Warranty Repair Period

The post-warranty repair period applies to products that are not in the standard warranty period.

During the post-warranty repair period, Yaskawa will repair or replace damaged parts for a fee.

There is a limit to the period during which Yaskawa will repair or replace damaged parts.

Contact Yaskawa or your nearest sales representative for more information.

■ Warranty Scope

Failure diagnosis

The primary failure diagnosis shall be performed by your company as a rule.

By your company's request, however, we or our service sector can execute the work for your company for pay.

In such a case, if the cause of the failure is in our side, the work is free.

Repair

When a failure occurred, repairs, replacement, and trip to the site for repairing the product shall be free of charge.

However, the following cases have to be paid.

- Cases of failure caused by inappropriate storing, handling, careless negligence, or system design errors performed by you or your customers.
- Cases of failure caused by a modification performed by your company without our approval.
- Cases of failure caused by using the product beyond the specification range.
- Cases of failure caused by force majeure such as natural disaster and fire.
- Cases in which the warranty period has expired.
- Cases of replacement of consumables and other parts with limited service life.
- Cases of product defects caused by packaging or fumigation processing.
- Cases of malfunction or errors caused by programs created by you using DriveWorksEZ.
- Other failures caused by reasons for which Yaskawa is not liable.

The services described above are available in Japan only. Please understand that failure diagnosis is not available outside of Japan. If overseas after-sales service is desired, consider registering for the optional overseas after-sales service contract.

Exception of Guaranteed Duty

Lost business opportunities and damage to your property, including your customers and other compensation for work, is not covered by the warranty regardless of warranty eligibility, except when caused by product failure of Yaskawa products.

■ Definition of Delivery

For standard products that are not set or adjusted for a specified application, Yaskawa considers the product delivered when it arrives at your company and Yaskawa is not responsible for on-site adjustments or test runs.



Global Service Network



Region	Service Area	Service Location	Service Agency	Telephone/Fax
North America	U.S.A.	Chicago (HQ) Los Angeles San Francisco New Jersey Boston Ohio North Carolina	① YASKAWA AMERICA INC.	Headquarters ☎ +1-847-887-7000 FAX +1-847-887-7370
	Mexico	Mexico City	② PILLAR MEXICANA. S.A. DE C.V.	☎ +52-555-660-5553 FAX +52-555-651-5573
South America	Brazil	São Paulo	③ YASKAWA ELÉTRICO DO BRASIL LTDA.	☎ +55-11-3585-1100 FAX +55-11-3585-1187
	Colombia	Bogota	④ VARIADORES LTD.A.	☎ +57-1-795-8250
Europe	Europe, South Africa	Frankfurt	⑤ YASKAWA EUROPE GmbH	☎ +49-6196-569-300 FAX +49-6196-569-398
Asia	Japan	Tokyo, offices nationwide	⑥ YASKAWA ELECTRIC CORPORATION (Manufacturing, sales)	☎ +81-3-5402-4502 FAX +81-3-5402-4580
			⑦ YASKAWA ELECTRIC ENGINEERING CORPORATION (After-sales service)	☎ +81-4-2931-1810 FAX +81-4-2931-1811
	South Korea	Seoul	⑧ YASKAWA ELECTRIC KOREA CORPORATION (Sales)	☎ +82-2-784-7844 FAX +82-2-784-8495
			⑨ YASKAWA ENGINEERING KOREA CORPORATION (After-sales service)	☎ +82-2-3775-0337 FAX +82-2-3775-0338
	China	Beijing, Guangzhou, Shanghai	⑩ YASKAWA ELECTRIC (CHINA) CO., LTD.	☎ +86-21-5385-2200 FAX +86-21-5385-3299
	Taiwan	Taipei	⑪ YASKAWA ELECTRIC TAIWAN CORPORATION	☎ +886-2-8913-1333 FAX +886-2-8913-1513
	Singapore	Singapore	⑫ YASKAWA ASIA PACIFIC PTE. LTD. (Sales)	☎ +65-6282-3003 FAX +65-6289-3003
			⑬ YASKAWA ASIA PACIFIC PTE. LTD. (After-sales service)	☎ +65-6282-1601 FAX +65-6282-3668
	Thailand	Bangkok	⑭ YASKAWA ELECTRIC (THAILAND) CO., LTD.	☎ +66-2-017-0099 FAX +66-2-017-0090
	Vietnam	Ho Chi Minh	⑮ YASKAWA ELECTRIC VIETNAM CO., LTD.	☎ +84-8-3822-8680 FAX +84-8-3822-8780
		Hanoi		☎ +84-4-3634-3953 FAX +84-4-3654-3954
	India	Bangalore	⑯ YASKAWA INDIA PRIVATE LIMITED	☎ +91-80-4244-1900 FAX +91-80-4244-1901
	Indonesia	Jakarta	⑰ PT. YASKAWA ELECTRIC INDONESIA	☎ +62-21-2982-6470 FAX +62-21-2982-6471
Oceania	Australia New Zealand	Contact to service agency in Singapore (⑫ ⑬).		

A1000

DRIVE CENTER (INVERTER PLANT)

2-13-1, Nishimiyaichi, Yukuhashi, Fukuoka, 824-8511, Japan
Phone +81-930-25-2548 Fax +81-930-25-3431
<http://www.yaskawa.co.jp>

YASKAWA ELECTRIC CORPORATION

New Pier Takeshiba South Tower, 1-16-1, Kaigan, Minatoku, Tokyo, 105-6891, Japan
Phone +81-3-5402-4502 Fax +81-3-5402-4580
<http://www.yaskawa.co.jp>

YASKAWA AMERICA, INC.

2121, Norman Drive South, Waukegan, IL 60085, U.S.A.
Phone +1-800-YASKAWA (927-5292) or +1-847-887-7000 Fax +1-847-887-7310
<http://www.yaskawa.com>

YASKAWA ELÉTRICO DO BRASIL LTDA.

777, Avenida Piraporinha, Diadema, São Paulo, 09950-000, Brasil
Phone +55-11-3585-1100 Fax +55-11-3585-1187
<http://www.yaskawa.com.br>

YASKAWA EUROPE GmbH

Hauptstraße 185, 65760 Eschborn, Germany
Phone +49-6196-569-300 Fax +49-6196-569-398
<http://www.yaskawa.eu.com> E-mail: info@yaskawa.eu.com

YASKAWA ELECTRIC KOREA CORPORATION

35F, Three IFC, 10 Gukjegeumyung-ro, Yeongdeungpo-gu, Seoul, 07326, Korea
Phone +82-2-784-7844 Fax +82-2-784-8495
<http://www.yaskawa.co.kr>

YASKAWA ASIA PACIFIC PTE. LTD.

30A Kallang Place, #06-01 Singapore 339213
Phone +65-6282-3003 Fax +65-6289-3003
<http://www.yaskawa.com.sg>

YASKAWA ELECTRIC (THAILAND) CO., LTD.

59, 1st-5th Floor, Flourish Building, Soi Ratchadapisek 18, Ratchadapisek Road, Huaykwang, Bangkok 10310, Thailand
Phone +66-2-017-0099 Fax +66-2-017-0799
<http://www.yaskawa.co.th>

PT. YASKAWA ELECTRIC INDONESIA

Secure Building-Gedung B Lantai Dasar & Lantai 1 Jl. Raya Protokol Halim Perdanakusuma, Jakarta 13610, Indonesia
Phone +62-21-2982-6470 Fax +62-21-2982-6471
<http://www.yaskawa.co.id/>

YASKAWA ELETRIC VIETNAM CO., LTD HO CHI MINH OFFICE

Suite 1904A, 19th Floor Centec Tower, 72-74 Nguyen Thi Minh Khai Street, Ward 6, District 3, Ho Chi Minh City, Vietnam
Phone +84-8-3822-8680 Fax +84-8-3822-8780

YASKAWA ELETRIC VIETNAM CO., LTD HA NOI OFFICE

2nd Floor, Somerset Hoa Binh Hanoi, No. 106, Hoang Quoc Viet Street, Cau Giay District, Hanoi, Vietnam
Phone +84-4-3634-3953 Fax +84-4-3654-3954

YASKAWA ELECTRIC (CHINA) CO., LTD.

22F, Link Square 1, No.222, Hubin Road, Shanghai, 200021, China
Phone +86-21-5385-2200 Fax +86-21-5385-3299
<http://www.yaskawa.com.cn>

YASKAWA ELECTRIC (CHINA) CO., LTD. BEIJING OFFICE

Room 1011, Tower W3 Oriental Plaza, No.1 East Chang An Ave.,
Dong Cheng District, Beijing, 100738, China
Phone +86-10-8518-4086 Fax +86-10-8518-4082

YASKAWA ELECTRIC TAIWAN CORPORATION

12F, No. 207, Sec. 3, Beishin Rd., Shindian Dist., New Taipei City 23143, Taiwan
Phone: +886-2-8913-1333 Fax: +886-2-8913-1513 or +886-2-8913-1519
<http://www.yaskawa.com.tw>

YASKAWA INDIA PRIVATE LIMITED

#17/A, Electronics City, Hosur Road, Bangalore, 560 100 (Karnataka), India
Phone +91-80-4244-1900 Fax +91-80-4244-1901
<http://www.yaskawaindia.in>

Certified for
ISO9001 and
ISO14001



JQA-QMA14913

JQA-EM0202

YASKAWA

YASKAWA ELECTRIC CORPORATION

In the event that the end user of this product is to be the military and said product is to be employed in any weapons systems or the manufacture thereof, the export will fall under the relevant regulations as stipulated in the Foreign Exchange and Foreign Trade Regulations. Therefore, be sure to follow all procedures and submit all relevant documentation according to any and all rules, regulations and laws that may apply. Specifications are subject to change without notice for ongoing product modifications and improvements.

© 2016 YASKAWA ELECTRIC CORPORATION

LITERATURE NO. KAEP C710616 22L <11>-0

Published in Japan January 2019

V1-00-18-10