

ACS55



User's Guide

for type ACS55
AC Drives
from 0.18 to 2.2 kW

English	EN
Dansk	DA
Deutsch	DE
Español	ES
Suomi	FI
Français	FR
Italiano	IT
Nederlands	NL
Português	PT
Русский	RU
Svenska	SV
中文	CN
한국어	KR



List of related manuals

Drive manual	Code
<i>ACS55 User's Guide</i>	3AFE68929300
<hr/>	
PC tool guide	
<i>DriveConfig User's Guide</i>	3AFE68910897
<hr/>	
Maintenance instruction	
<i>Guide for Capacitor Reforming</i>	3AFE68735190

Table of contents

English	.5
Dansk	.25
Deutsch	.45
Español	.65
Suomi	.85
Français	.105
Italiano	.125
Nederlands	.145
Português	.165
Русский	.185
Svenska	.205
中文	.225
한국어	.245

3AFE68929300 Rev C

EN, DA, DE, ES, FI, FR, IT, NL, PT, RU, SV, CN, KR

Effective: 2010-04-12

© 2010 ABB Oy. All Rights reserved.

User's Guide

for type ACS55
AC Drives
from 0.18 to 2.2 kW

English EN



Product and service inquiries

Address any inquiries about the product to your local ABB representative, quoting the type designation and serial number of the unit in question. A listing of ABB sales, support and service contacts can be found by navigating to www.abb.com/drives and selecting *Sales, Support and Service network*.

Product training

For information on ABB product training, navigate to www.abb.com/drives and select *Training courses*.

Providing feedback on ABB Drives manuals

Your comments on our manuals are welcome. Go to www.abb.com/drives, then select *Document Library – Manuals feedback form (LV AC drives)*.

3AFE68929300 Rev C
EN
Effective: 2010-04-12

ABB Oy
Drives
P.O. Box 184
FI-00381 HELSINKI
FINLAND
Telephone +358 10 22 11
Fax +358 10 22 22681
Internet www.abb.com/drives

Safety instructions

Read the following instructions carefully before proceeding with the installation.

Warning! Dangerous voltage!

Only a competent electrician may install ACS55.

Never work on the drive, the motor cable or the motor when main power is applied. After switching off the input power, always wait at least for 5 minutes to let the intermediate circuit capacitors discharge before you start working on the drive.

Warning! If the heat sink is not earthed properly, you can get an electric shock if you touch the heat sink.

Note: DIP switches are at a dangerous voltage.

Note: Even when the motor is stopped, dangerous voltages are present at power circuit terminals L/R, N/S, T1/U, T2/V and T3/W.

Note: Even when the unit is powered down, there may be dangerous external voltages connected from outside to the relay output terminals.

Warning! Hot surfaces!

During operation, the cooling element may reach high temperature (>80°C). Make sure to follow the installation instructions.

General safety instructions

ACS55 starts the motor automatically after a supply break if the external start signal is on.

Never attempt to repair a broken unit. ACS55 is not a field repairable unit. Contact the supplier for replacement.

Install ACS55 in a locked or tool-openable space.

Do not connect input power to the unit more than once every three minutes.

Altering the DIP switches will affect the function and performance of ACS55. Check that the changes will not cause any risk to persons or property.

About this manual

This guide provides information necessary to install and start-up the unit.

Delivery check

The delivery includes:

1. ACS55
2. User's Guide
3. Two clamps for the control cable (EMC units only).

Check the rating plate and ensure that the delivered device corresponds to the order.

ABB ACS55-01E-09A8-2		IP20
U1 1~200..240V	U2 3~0..U1	
f1 50/60Hz	f2 0..250Hz	
I1 22.0 A	I2 9.8A	
Pn motor: 2.2 kW (3 HP)		
S/N MYYWWRXXXX		
3AFE XXXXXXXX		
CE	RoHS	Made in China

ACS55-01 - -

EMC filter: E = Built in, N = No

Max. continuous output current (I_2):

01A4 = 1.4 A, 02A2 = 2.2 A, 04A3 = 4.3 A,
07A6 = 7.6 A, 09A8 = 9.8 A

Supply voltage (U_1):

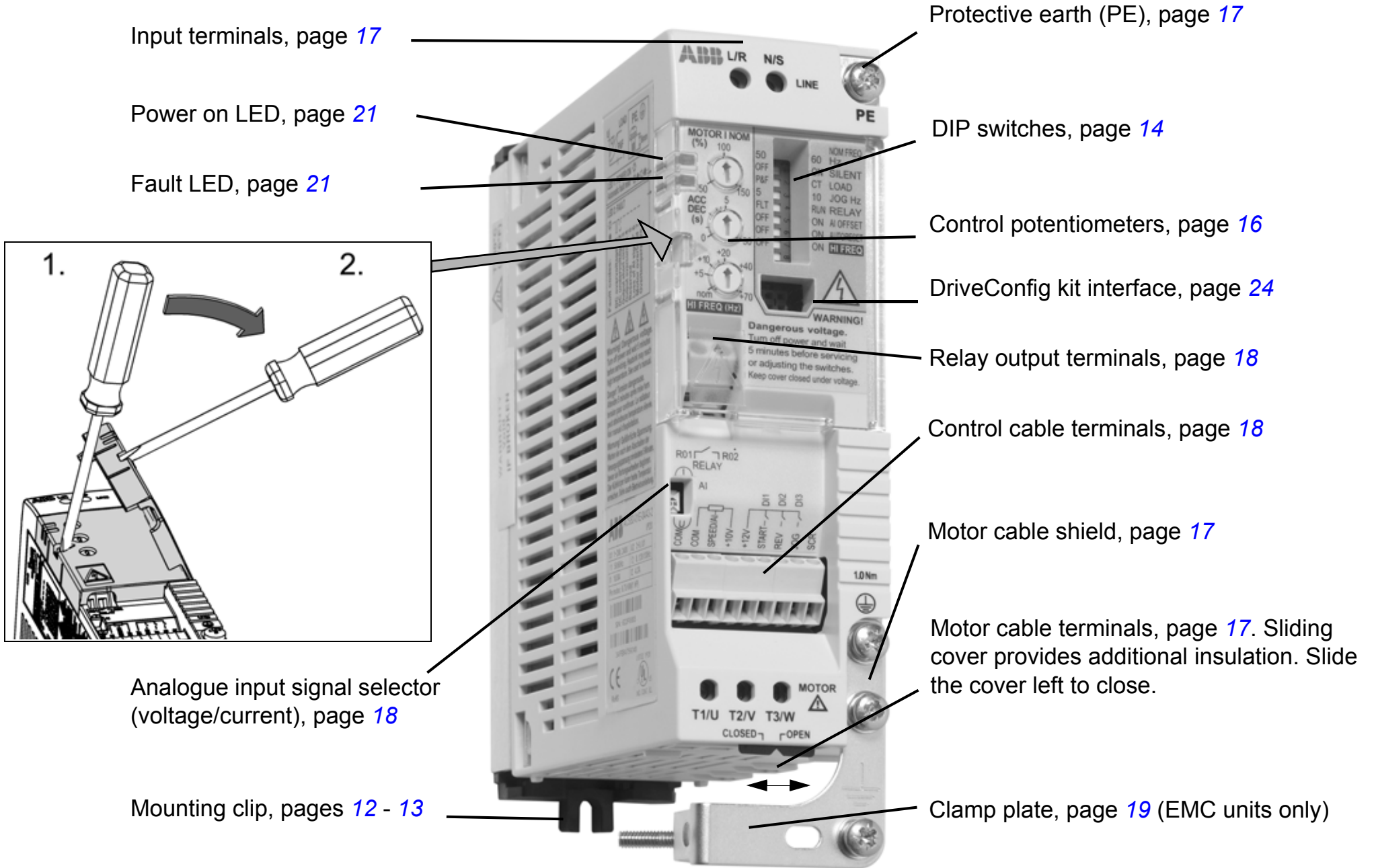
1 = 110...120 VAC +10%/-15%
2 = 200...240 VAC +10%/-15%

Serial number (S/N) is printed on the rating plate.

(M = manufacturing location, YY = manufacturing year, WW = manufacturing week, R = product revision number (A, B, C...), XXXX = integer starting every week from 0001)

Overview of the unit

ACS55 drive controls the speed of a 3-phase AC induction motor.



Installation and start-up steps

Read [Safety instructions](#) on page 7 before proceeding.

	Action	Pg.
1	Check the delivery.	7
2	Ensure that the installation environment is suitable for ACS55.	10
3	Mount the unit.	12 - 13
4	Check applicability of the standard settings: Motor nominal frequency is 50 Hz; load is a pump or a fan; maximum output frequency is 50 Hz. If the standard settings are not suitable, adjust the DIP switches.	14
5	Make sure the MOTOR I NOM potentiometer matches the rated current of the motor. It defines operation of the motor thermal protection function.	16
6	Adjust the acceleration/deceleration time potentiometer ACC/DEC if necessary.	16
7	Connect the power supply cable and motor cables.	17
8	Connect the control wires.	18
9	Turn the power on. Green LED is illuminated. Note: Motor rotates if the start signal is active.	
10	Set the speed reference and activate the start signal. The motor accelerates to the given speed reference.	20

Checking the insulation of the assembly

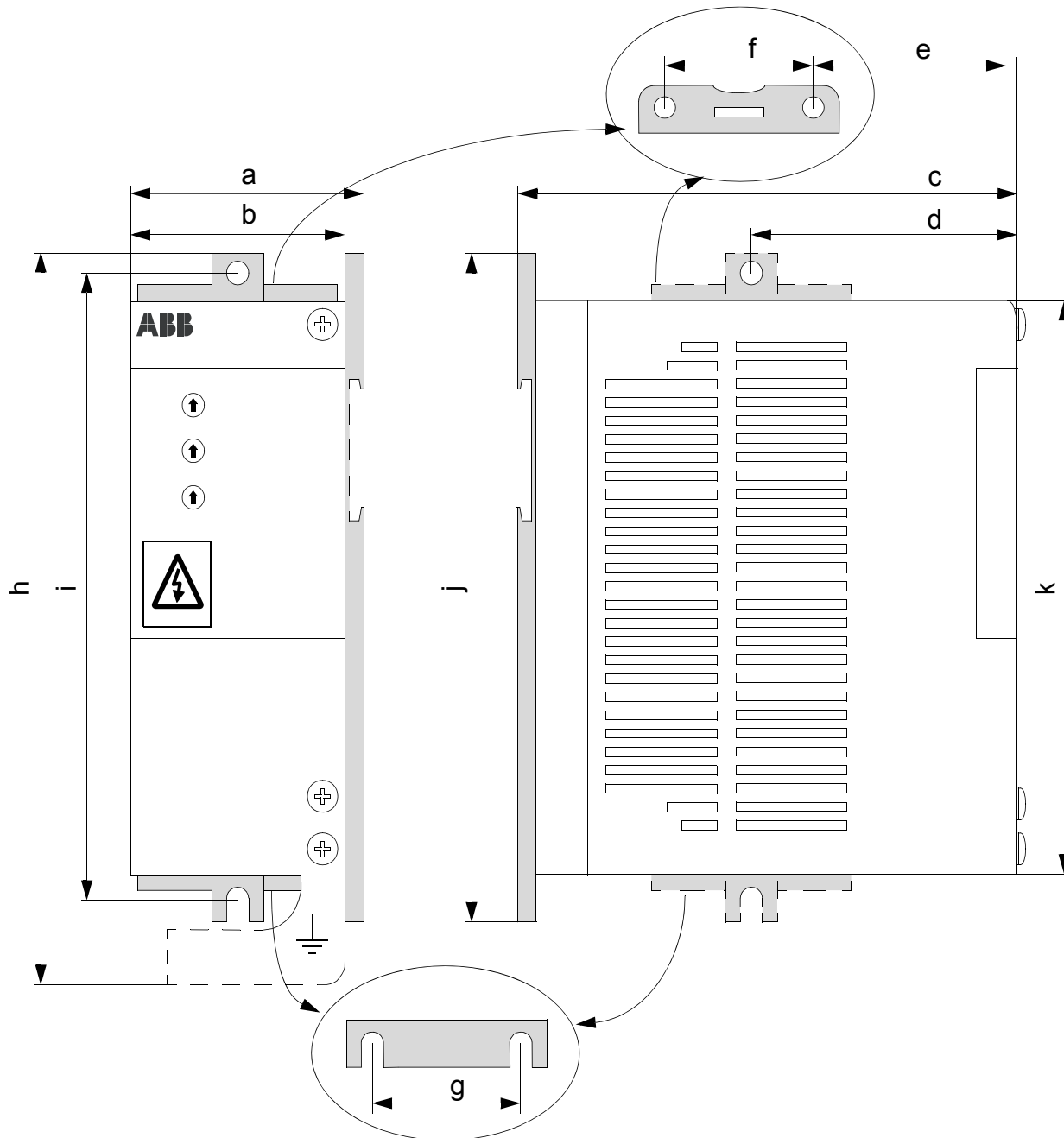
Do not make any voltage tolerance or insulation resistance tests (for example hi-pot or megger) on any part of the drive as testing can damage the drive. Every drive has been tested for insulation between the main circuit and the chassis at the factory. Also, there are voltage-limiting circuits inside the drive which cut down the testing voltage automatically.

Environmental limits

	Installation site	Storage and transportation in a protective package	
Air temperature	-20°C (-4°F), no frost allowed ¹⁾ +40°C (104°F), with nominal load +50°C (122°F), if continuous output current is max. 85% of the nominal output current I_2 +55°C (131°F), if continuous output current is max. 75% of the nominal output current I_2	-40°C (-40°F) to +70°C (158°F)	
Altitude	0...2000 m (0...6,600 ft). At altitudes 1000...2000 m (3,300...6,600 ft), P_N and I_2 are decreased by 1% for every 100 m.	No limitation	
Relative humidity	Less than 95%, non-condensing	Less than 95%, non-condensing	
Contamination levels (IEC 60721-3-3)	<ul style="list-style-type: none"> No conductive dust allowed Air must be clean, free from corrosive materials and conductive dust Chemical gases: Class 3C2 Solid particles: Class 3S2 	Storage	Transportation
		<ul style="list-style-type: none"> No conductive dust allowed Chemical gases: Class 1C2 Solid particles: Class 1S2 	<ul style="list-style-type: none"> No conductive dust allowed Chemical gases: Class 2C2 Solid particles: Class 2S2
Sinusoidal vibration (IEC 60068-2-6)	Frequency range: 5...150 Hz Constant peak acceleration: 1 g	In accordance with ISTA 1A specification	
Shock (IEC 60068-2-29)	Not allowed	Max. 100 m/s ² (330 ft/s ²), 11 ms (36 fts)	
Free fall	Not allowed	Not allowed	

1) When operating the drive in subzero temperatures, keep the input power connected. Install the drive inside an enclosure. Ensure that heat generated by the drive will be properly dissipated.

Degree of protection of ACS55 is IP20.



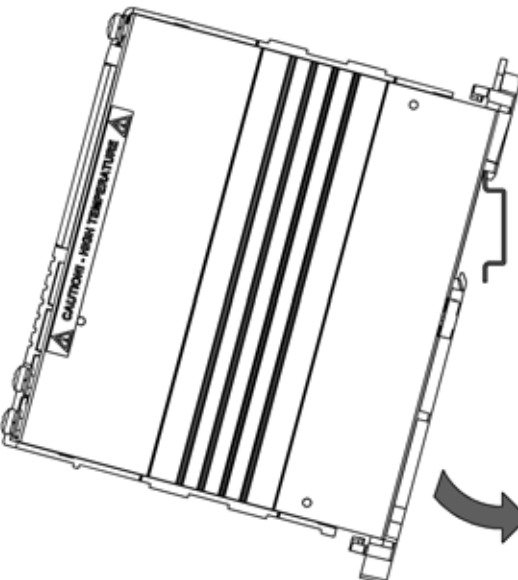
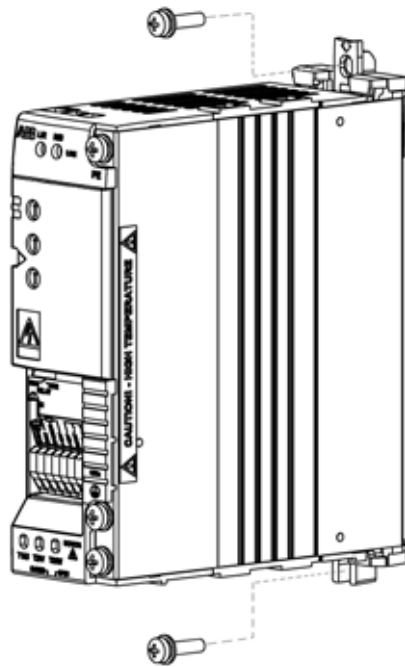
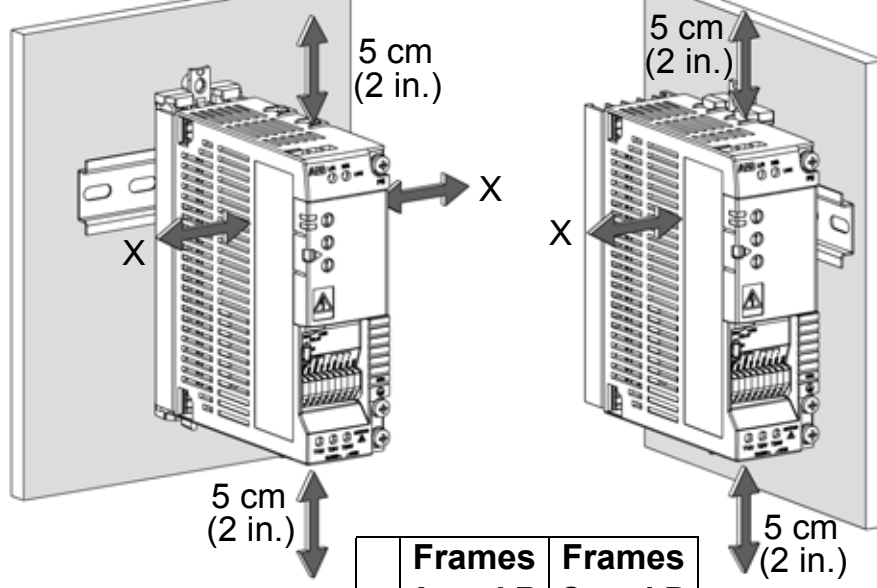
	Frame A mm (in.)	Frame B mm (in.)	Frame C mm (in.)	Frame D mm (in.)
a	53 (2.09)	72 (2.83)	74 (2.91)	74 (2.91)
b	45 (1.77)	67.5 (2.66)	70 (2.76)	70 (2.76)
c	128 (5.04)	128 (5.04)	159 (6.26)	159 (6.26)
d	67.5 (2.66)	67.5 (2.66)	-	-
e	-	-	77 (3.03)	77 (3.03)
f	-	-	40 (1.57)	40 (1.57)
g	-	-	40 (1.57)	40 (1.57)
h	183 (7.20)	183 (7.20)	-	230 (9.06)
i	156 (6.14)	156 (6.14)	182 (7.17)	214 (8.43)
j	170 (6.69)	170 (6.69)	194 (7.64)	226 (8.90)
k	146.5 (5.77)	146.5 (5.77)	171 (6.73)	203 (7.99)

Mounting

Warning! The unit will warm up to high temperature during normal operation. Ensure sufficient cooling air flow in all conditions:

- Always install ACS55 so that cooling fans are vertical.
- Leave sufficient space around frame A and B units. Frame C and D units are fan cooled, so they can be installed side by side without extra space between them.

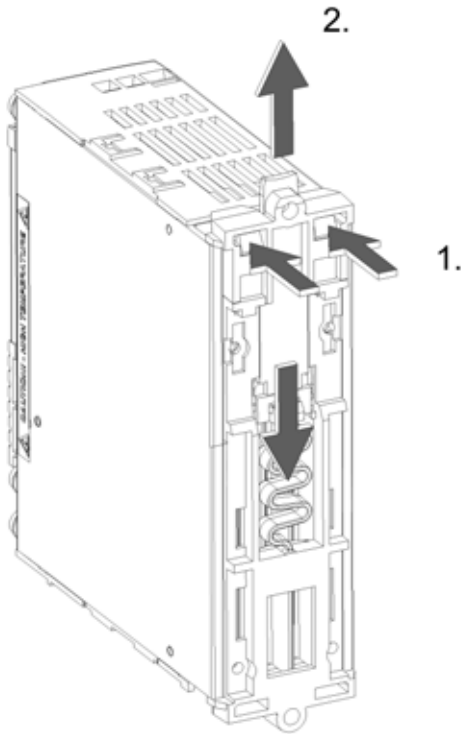
Install the unit using the mounting clip on a 35 mm DIN rail or on a wall.

Mounting on DIN rail "Click" ACS55 to the rail. Press the lever on top of the mounting clip to detach.	Mounting on wall Install the unit onto the wall through the mounting clip. Use M4 screws.	Clearance distances Always leave sufficient space around the unit to ensure proper cooling.						
		 <table border="1" data-bbox="1590 1260 1937 1444"> <thead> <tr> <th></th> <th>Frames A and B cm (in.)</th> <th>Frames C and D cm (in.)</th> </tr> </thead> <tbody> <tr> <td>X</td> <td>1.5 (0.6)</td> <td>0 (0)</td> </tr> </tbody> </table>		Frames A and B cm (in.)	Frames C and D cm (in.)	X	1.5 (0.6)	0 (0)
	Frames A and B cm (in.)	Frames C and D cm (in.)						
X	1.5 (0.6)	0 (0)						

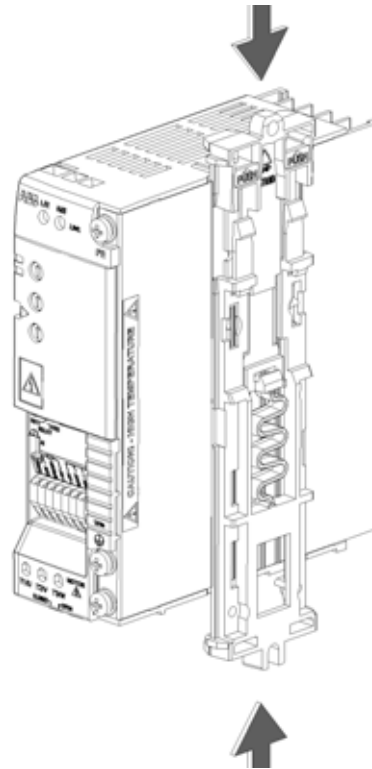
Attaching and detaching the wall mounting clip

The unit can be mounted either with the wide or the narrow side against the wall. Install the mounting clip on the desired side. See instructions below for frames A and B. Detach the mounting clip of frames C and D by pulling downward and attach it by pushing upward.

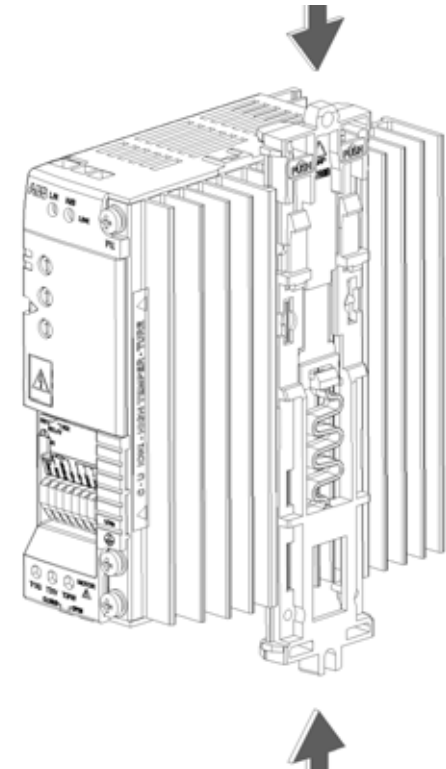
Detaching the mounting clip, Frames A and B: Press the two plastic buttons to detach the upper and lower part of the clip from each other.



Attaching the mounting clip, Frame A: Place the two parts as shown and click them together.



Attaching the mounting clip, Frame B: Push the two parts between the cooling fins and click them together.



DIP switches

DIP switches are used to adapt ACS55 to the motor and the application.

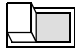
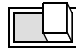



Warning! The DIP switch is at a dangerous voltage (200 V). Turn off power and wait for 5 minutes before adjusting the switches. Keep the protective cover closed when ACS55 is powered.

Configuration

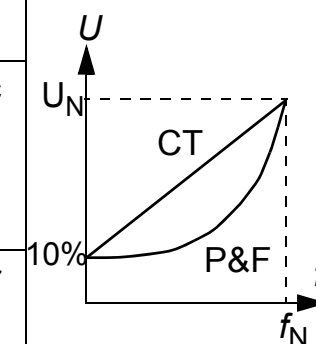
- Open the front cover using the tip of a screwdriver, and adjust the DIP switches.
- Use the tip of a screwdriver to slide the switch to the left or right. By default, all switches are in their left position.
- Close the front cover.

Basic information

DIP switch	#	Name and function	Default setting 	Alternative setting 
	1	NOM FREQ HZ: Motor nominal frequency	50 Hz	60 Hz
	2	SILENT: Motor noise level (PWM switching frequency)	OFF - Normal (5 kHz)	ON - Silent (16 kHz)
	3	LOAD: Load torque type (U/f curve)	P&F - Pump/fan	CT - Constant torque
	4	JOG HZ: Constant frequency for the jogging function	5 Hz	10 Hz
	5	RELAY: Relay output operation	FLT - Fault	RUN - Motor running
	6	AI OFFSET: Minimum value for analogue input	OFF - 0 mA (0 V)	ON - 4 mA (2 V)
	7	AUTORESET: Automatic fault reset function	OFF - No autoreset	ON - Autoreset enabled
	8	HI FREQ: High frequency mode	OFF - Standard	ON - High frequency enabled

Additional information

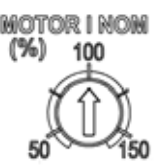

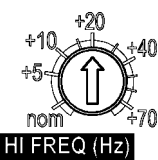
No.	Name	Information
1	NOM FREQ Hz	Defines the motor nominal frequency (see the motor rating plate).
2	SILENT	Defines the drive switching frequency. Note: The higher the frequency the more electromagnetic noise and the shorter the allowed motor cable length to comply with the European EMC regulations. See Technical data on page 22. Note: The switching frequency adapts to the ACS55 temperature.
3	LOAD	Optimises the output voltage and frequency characteristics according to the load. Select P&F for the squared torque (e.g. pumps and fans) and CT for the constant torque loads (e.g. conveyors). ACS55 automatically boosts the starting voltage 10% to compensate the motor losses and to increase the starting torque.
4	JOG Hz	Defines the jogging frequency. Activate the jogging function on by connecting 12...24 VDC to digital input 3 ("JOG"). (Drive accelerates or decelerates to the jogging frequency, and keeps it until the input is switched off.)
5	RELAY	Selects the drive state the normally open contact of the relay output indicates. FLT = Fault. Contact is opened while at a fault state or at a power off state. RUN = Running. Contact is closed while running.
6	AI OFFSET	Activates a living zero supervision for the analogue input. 4 mA (2 V) = ACS55 trips on a fault if the value drops below the limit. See section Speed controlling on page 20 for information on analogue input scaling.
7	AUTO- RESET	Activates the automatic reset function for the following faults: Undervoltage, overvoltage, analogue input loss. ON = ACS55 will try to reset automatically three seconds after a fault trip. Maximum number of resets is ten in three minutes. If exceeded, ACS55 stops and will not attempt a new reset. See also Status indications and fault tracing on page 21. Warning! If the start signal is on, the motor will be started after a reset. Make sure that this will not cause danger.
8	HI FREQ	Defines the maximum output frequency. OFF: Max. frequency = value defined by the NOM FREQ HZ switch. ON: Max. frequency = value defined by the NOM FREQ HZ switch + value of HI FREQ potentiometer. See Control potentiometers on page 16.



For more information, see *DriveConfig User's Guide* [3AFE68910897 (English)].

Control potentiometers

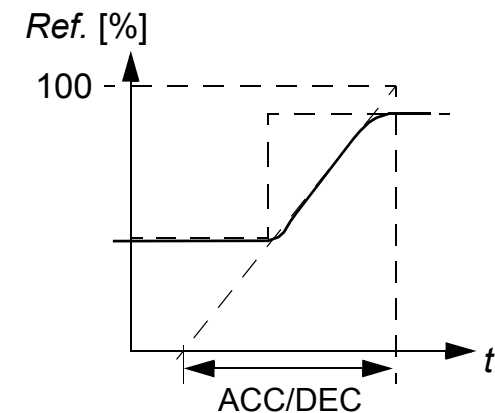
The control potentiometers can be adjusted using a screwdriver. By default, all potentiometers are in their middle position.

	MOTOR I NOM	<p>Calculate MOTOR I NOM with the equation below or pick a value from the MOTOR I NOM selection chart below. ACS55 estimates the temperature of the motor based on the measured output current and the defined motor nominal current. The drive trips if the estimated temperature implies motor overheating.</p> <p>Note: If motor cables are long causing large capacitive currents, it might be necessary to increase the MOTOR I NOM setting.</p> $\text{MOTOR I NOM (\%)} = \frac{\text{Motor nominal current [A]}}{\text{ACS55 nominal current [A]}} \cdot 100\%$
	ACC/DEC	<p>Defines the acceleration and deceleration time from minimum to maximum frequency and vice versa in seconds. The longer the ACC/DEC time, the more slowly ACS55 will follow the given reference.</p>
	HI FREQ	<p>Limits the output frequency to a desired value between nominal frequency and nominal frequency + 70 Hz. To use this potentiometer, turn the high frequency mode on with the HI FREQ DIP switch. See DIP switches on page 14.</p>

MOTOR I NOM selection chart

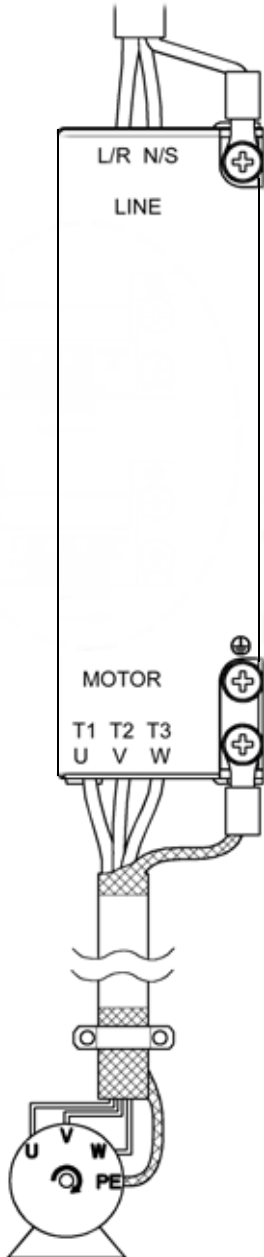
	Motor nominal current (A)										
ACS55-01x-											
-01A4-x	0,7	0,8	1,0	1,2	1,4	1,6	1,8	2,0	2,1		
-02A2-x	1,1	1,3	1,5	1,8	2,0	2,2	2,4	2,6	2,8	3,0	3,3
-04A3-x	2,2	2,6	3,0	3,5	4,0	4,3	4,7	5,2	5,6	6,0	6,5
-07A6-x	3,8	4,6	5,3	6,1	6,8	7,6	8,4	9,3	10,2	11,4	
-09A8-x	4,9	5,9	6,9	7,8	8,8	9,8	10,8	12,0	13,3	14,7	
MOTOR I NOM	50	60	70	80	90	100	110	120	130	140	150%

ACC/DEC time




Connecting power supply and motor

1-phase
input voltage



Warning! Before installation ensure that the main supply is off.

Note: Ensure power supply is correct! Connecting 230 VAC to the ACS55 unit rated for 115 VAC input will damage the drive!

Terminal	Description	Wire size	Tightening torque
L/R, N/S	1~ power supply input	Max. 2.5 mm ² (frames A and B) or max. 4 mm ² (frames C and D) four conductor cable	0.5 N·m
T1/U, T2/V, T3/W	Power output to motor		
PE 	Protective earth. Motor cable protective conductor and shield.	Use multi-strand copper wire. Size of the wire is not allowed to be smaller than the size of the power cable used.	1 N·m

Warning! If the heat sink is not earthed properly, you can get an electric shock if you touch the heat sink.

Note: Use only supplied M4x8 Combi screws. Maximum allowed intrusion depth for the grounding screws is 6 mm.

Follow local rules for cable cross sections. Use 60°C (140°F) rated power cable, or 75°C (167°F) rated cable if ambient temperature is above 30°C (86°F). See also [Additional cabling and EMC instructions](#) on page 19.

Earth leakage current of the ACS55 can exceed 3.5 mA AC / 10 mA DC. According to EN50178, ACS55 may only be used in permanent installation.

Input fuse

See [Technical data](#) on page 22 for recommended fuse types.

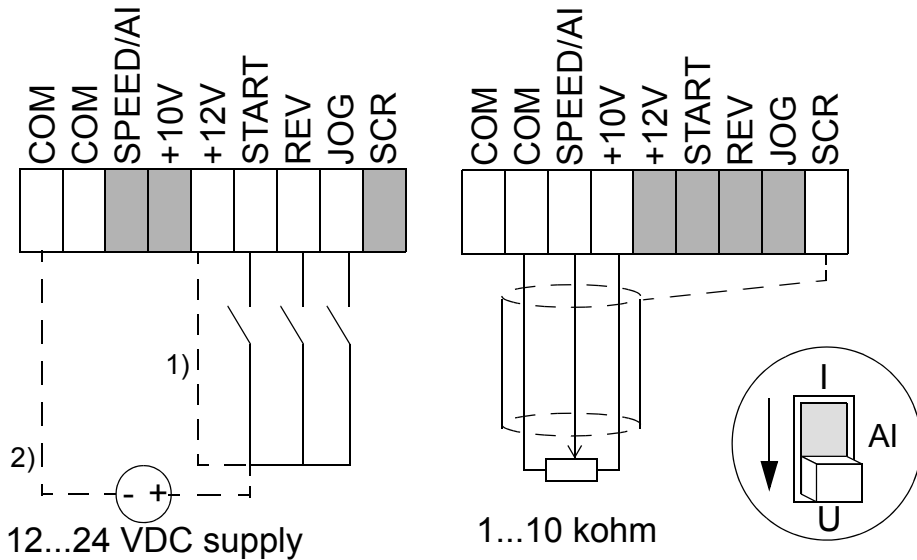
Motor

The motor must be a 3-phase AC induction motor, with nominal voltage U_N from 200 to 240 V and nominal frequency f_N either 50 or 60 Hz. Motor nominal current must be less than or equal to the nominal output current (I_2) of the drive.

If the phases are connected, U-U, V-V and W-W, and the selected direction is forward, the shaft rotates clockwise as seen from the drive shaft end.

Connecting control wires

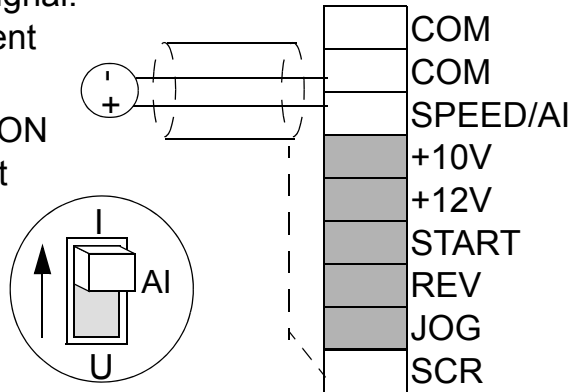
Internal (1) or external (2) power supply can be used for the digital inputs. Analogue control voltage is 0...10 VDC as default. (The AI jumper must be in voltage ("U") position).



Using 0/4...20 mA current signal:

- Change AI jumper to current ("I") position.

- Set AI OFFSET switch to ON position if 4...20 mA current signal is desired.



Control terminals

- Conductor size: stranded 0.25...1.5 mm² (AWG 23 to AWG 16)
- Tightening torque: 0.25 N·m.

#	Name	Description
1	COM	Common for digital or analogue inputs ¹⁾
2	COM	Common for digital or analogue input ¹⁾
3	AI	Analogue input: Speed (frequency) reference. 0/2...10 VDC (R _i =190 kohm), or 0/4...20 mA (R _i =100 ohm). Resolution 0.1%, accuracy +/-1%.
4	+10V	Reference voltage for analogue input. Accuracy +/-2%. Max. 10 mA.
5	+12V	Auxiliary voltage for digital inputs. Max. 30 mA.
6	START	Digital input 1: Start (resets the drive after a fault trip) ²⁾
7	REV	Digital input 2: Reverse rotation direction ²⁾
8	JOG	Digital input 3: Activate jog speed ²⁾
9	SCR	Earth for signal cable screen. Connected internally to frame earth.
Relay output		
1	RO1	Fault: Relay opens. 12 V...250 VAC / 30 VDC 10 mA...2 A
2	RO2	

- 1) Connected internally to frame (earth) through 1 Mohm resistor.
2) Digital input impedance is 1.5 kohm.

Additional cabling and EMC instructions

Follow these instructions for trouble free operation and to ensure compatibility with the European EMC directive.

Motor cable

The motor cable must be a symmetrical three conductor cable with a concentric PE conductor or a four conductor cable with a concentric shield. Braided metallic screen is recommended, e.g. type MCCMK (NK Cables).

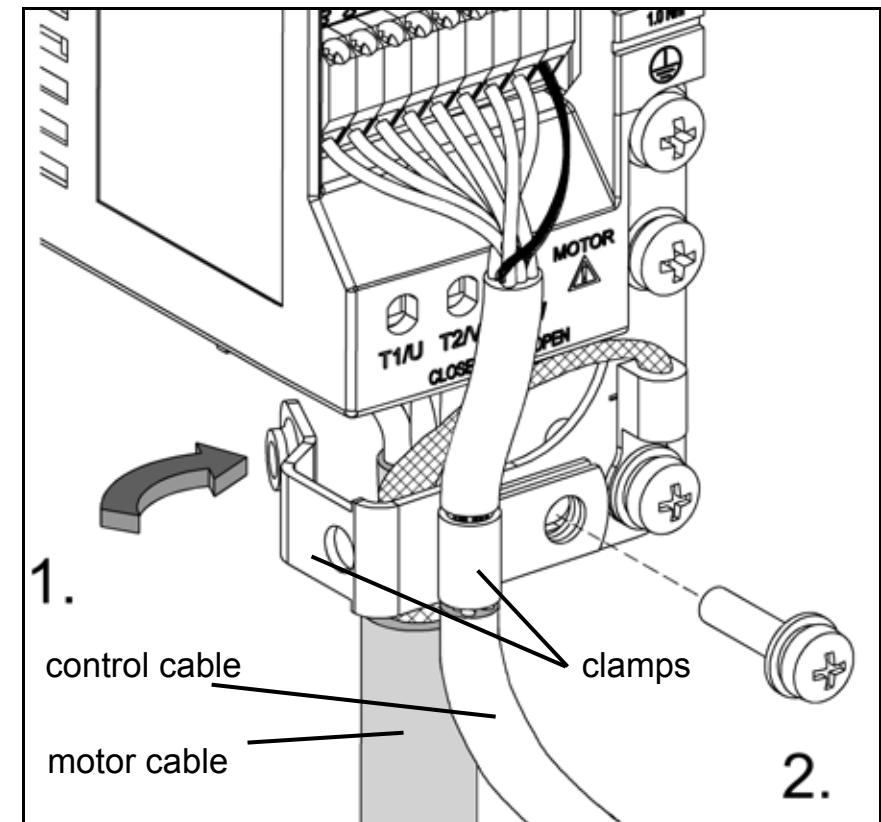
- Twist the cable screen wires together into a bundle, and connect to the earthing terminal \perp . Keep the bundle as short as possible.
- Clamp the cable screen as shown in the figure when internal or external EMC filter is used.
- At the motor end the motor cable screens must be earthed 360 degrees with an EMC cable gland or the screen wires must be twisted together into a bundle not longer than 5 times its width and connected to the PE terminal of the motor.

Control cables

Control cables must be multi-core cables with a braided copper wire screen. A double shielded twisted pair cable is recommended for the analogue signals.

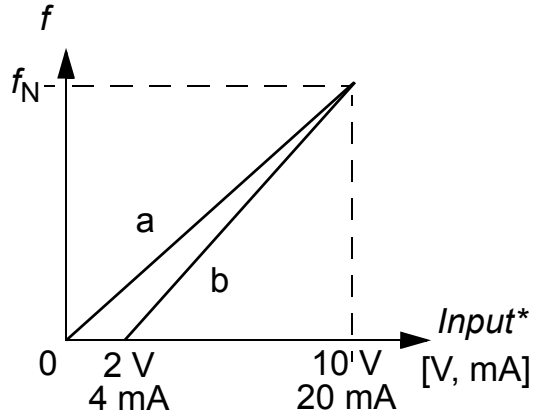
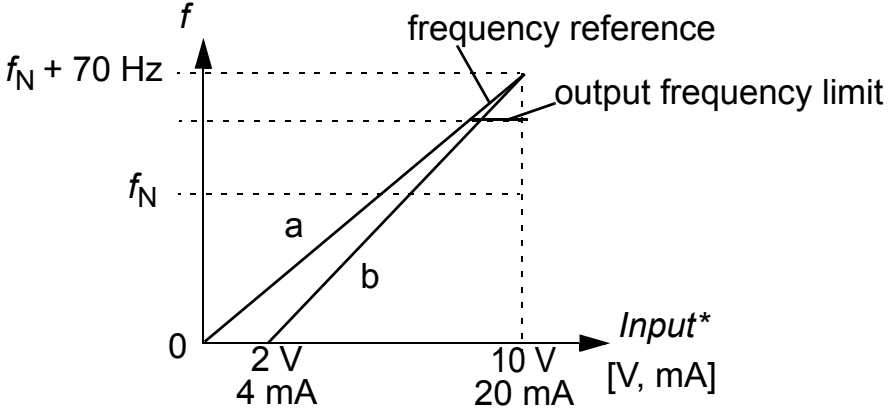
- Twist the screen together into a bundle and connect to terminal SCR. Keep the bundle as short as possible.
- Clamp the control cable as shown in the figure (EMC units only).
- Route the motor cable away from the control wires and the power supply cable to avoid electromagnetic interference (distance > 20 cm).

Note: Never mix 24 VDC and 115/230 VAC signals in the same cable.



Speed controlling

The analogue input gives the speed (frequency) reference for ACS55. The correspondence between the analogue input and the reference depends on the settings of the DIP switches as shown below. Output frequency follows the reference changes as defined by the ACC/DEC potentiometer.

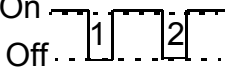
High frequency mode OFF (default)	High frequency mode ON
 <p>DIP switch settings: HI FREQ = OFF AI OFFSET = OFF (curve a) or ON** (curve b) MOTOR NOM FREQ = 50 or 60 Hz</p> <p>The output frequency is limited to the selected nominal frequency of the motor.</p>	 <p>DIP switch settings: HI FREQ = ON AI OFFSET = OFF (curve a) or ON** (curve b) MOTOR NOM FREQ = 50 or 60 Hz</p> <p>Actual output frequency is limited to a value between f_N and $f_N + 70$ Hz by the HI FREQ potentiometer. The potentiometer does not affect the scaling of the analogue input.</p>
<p>* Use AI jumper to select voltage or current signal. See page 18.</p> <p>** To protect the drive against analogue input signal loss, the drive trips if the signal value is below 2 V (4 mA).</p>	

Status indications and fault tracing

ACS55 has two status indication LEDs, visible through the front cover.

If the drive detects a problem, the red LED will blink. After fixing the problem, reset by switching the start signal off. If start is off already, turn it first on and then off again.

See the table below for the fault codes (= the number of LED blinks).

Green LED	Red LED	Description
On	Off	ACS55 operates normally.
On	Blinking 	Protective function has been activated. Number of blinks indicates the fault code.
Blinking	Blinking	ACS55 will reset automatically within 3 seconds. (*) Warning! Motor starts, if start signal is on.

#	Possible causes and what to do	#	Possible causes and what to do
1	DC overvoltage (*). 1) Mains voltage is too high: Check supply. 2) Deceleration ramp time is too short compared to the load inertia: Increase ACC/DEC time with potentiometer.	7	Motor overload (I^2t overload): 1) Check the load, and verify that the motor size is suitable for ACS55. 2) Verify that setting of MOTOR I NOM potentiometer is correct.
2	DC undervoltage (*). Mains voltage is too low: Check supply.	8	Inverter overload or excessive internal temperature: 1) Load is too high or 2) drive cooling is insufficient.
3	Output short circuit: Switch off the power and check the motor windings and motor cable.	9	Other fault. Internal error. Turn power off and on again. If problem persists, replace the unit.
4	Output overcurrent. 1) Acceleration time is too short compared to the load inertia: Increase ACC/DEC time with potentiometer. 2) Motor and drive sizes do not match: Check motor.	10	Parameterization fault. Note: Both LEDs will blink. DIP switches have been moved from default setting after the drive has been parameterized with DriveConfig tool. Put the switches back to default position.
5	Reserved	11	Drive is battery-powered. Drive status indicates Fault, because it is not possible to start the drive. For drive operation, the drive must be connected to mains. However, when the drive is powered from the DriveConfig kit supply, the connection between DriveConfig and the drive is OK.
6	Analogue input value is less than 4 mA/2 V. (*) Note: This supervision is active if AI OFFSET is ON.	12	Drive has been controlled by DriveConfig (or other application via serial communication) and the communication has been lost. Check the communication.

(*) Automatically reset if the AUTORESET is ON. See [DIP switches](#) on page 14.

Technical data

		230 V					115 V	
Built-in EMC, ACS55-01E-		01A4-2	02A2-2	04A3-2	07A6-2	09A8-2	01A4-1	02A2-1
No EMC, ACS55-01N-		01A4-2	02A2-2	04A3-2	07A6-2	09A8-2	01A4-1	02A2-1
Motor continuous output power	kW	0.18	0.37	0.75	1.5	2.2	0.18	0.37
	hp	1/4	1/2	1	2	3	1/4	1/2
Frame size (no EMC)		A	A	B	C	C	A	A
Frame size (EMC)		A	A	B	D	D	A	A
Nominal ratings								
Input voltage U_1	V	200...240 (+10/-15%)					110...120 (+10/-15%)	
Continuous output current I_2	A	1.4	2.2	4.3	7.6	9.8	1.4	2.2
Max. output current I_{2max}^*	A	2.1	3.3	6.5	11.4	14.7	2.1	3.3
Output voltage U_2	V	0... U_1 , 3-phase					0... $2 \times U_1$, 3-phase	
Input current I_1	A	4.4	6.9	10.8	18.2	22.0	6.4	9.5
Switching frequency	kHz	5 (max. 16)						
Protection limits								
Overcurrent (peak)	A	4.4	6.9	13.5	23.9	30.9	4.4	6.9
Overtemperature		95°C / 203°F (heat sink)						
Maximum wire sizes								
Power terminals	mm ²	2.5 (AWG 14)			4 (AWG 12)		2.5 (AWG 14)	
Control terminals	mm ²	1.5 (AWG 16)						
Power losses	W	21	32	51	74	103	24	35
Line fuse size**								
IEC, type IEC269 gG	A	10	16	16	25	32	10	16
UL, types CC and T	A	10	15	20	25	30	10	15
Weight, Built-in EMC, ACS55-01E-	kg (lb)	0.65 (1.4)	0.7 (1.5)	0.9 (2)	1.6 (3.5)	1.7 (3.7)	0.65 (1.4)	0.7 (1.5)
Weight, No EMC, ACS55-01N-	kg (lb)	0.65 (1.4)	0.7 (1.5)	0.9 (2)	1.2 (2.6)	1.3 (2.9)	0.65 (1.4)	0.7 (1.5)

* Allowed for 1 minute.

** Recommended values. Do not use ultra rapid or low peak fuses. Follow local rules.

Maximum motor cable lengths

To comply with European EMC regulations, the motor cable length has to be limited as specified in the table below. The shorter the motor cable, the lower the noise emissions to the supply line and the environment.

Converter type ACS55-01x-	Switching frequency	
	5 kHz	16 kHz ¹⁾
Built-in EMC filter		
<i>EN61800-3, First environment, unrestricted distribution ²⁾</i>		
01A4-2, ..., 04A3-2	10 m	3 m
01A4-1, 02A2-1	10 m	3 m
07A6-2, 09A8-2	10 m	3 m
<i>EN61800-3, First environment, restricted distribution ³⁾</i>		
01A4-2, ..., 04A3-2	10 m	10 m
01A4-1, 02A2-1	10 m	10 m
07A6-2, 09A8-2	20 m	10 m
<i>EN61800-3, Second environment ³⁾</i>		
01A4-2, ..., 04A3-2	10 m	10 m
01A4-1, 02A2-1	10 m	10 m
07A6-2, 09A8-2	30 m	10 m

1) Switching frequency can be selected with the DIP switch. See page [15](#).

2) Applicable for conducted emissions only.

3) Applicable for conducted and radiated emissions.

Protections

Overvoltage, undervoltage, output short circuit, overcurrent, analogue input loss, motor overload, inverter overload.

Distribution networks isolated from earth

Drives with built-in EMC filter must not be used in a floating network or in a high impedance earthed industrial distribution network.

Environmental information

A product to be disposed contains valuable raw material that should be recycled, thus preserving energy and natural resources. Instructions for disposal are available from ABB sales and service companies.

Liability limits

The manufacturer is not responsible for:

- Any costs resulting from a failure if the installation, commissioning, repair, alteration or ambient conditions of the drive do not fulfil the requirements specified in the documentation delivered with the unit and other relevant documentation.
- Units subjected to misuse, negligence or accident.
- Units comprised of materials provided or designs stipulated by the purchaser.

In no event shall the manufacturer, its suppliers or subcontractors be liable for special, indirect, incidental or consequential damages, losses or penalties.

If you have any question concerning your ABB drive, please contact the local distributor or ABB office. The technical data, information and specifications are valid at the time of printing. The manufacturer reserves the right to modifications without prior notice.

Approvals

CE

The ACS55 complies with the requirements of the European

- Low Voltage Directive 73/23/EEC with amendments
- EMC Directive 89/336/EEC with amendments.

Corresponding declarations and a list of main standards are available on request.

Electromagnetic compatibility:

The ACS55 fulfils the following standards provided that installation is done properly and according to the instructions of this manual:

Conductive high frequency emissions	EN61800-3 first environment, unrestricted/restricted distribution ¹⁾
Radiated high frequency emissions	EN61800-3 first environment, restricted distribution
Immunity	EN61800-3 second environment
Line current harmonics	IEC61000-3-2

1) Observe the maximum allowed motor cable lengths and switching frequency, page 23. See also cabling instructions on page 19.

The current harmonic levels can be reduced by fitting external input chokes.

UL, cUL and C-Tick markings

See the rating plate.

UL, cUL:

The ACS55 is suitable for use on a circuit capable of delivering not more than 65 kA rms symmetrical amperes, 230 volts maximum, when protected by CC or T class fuses.

C-Tick:

For the electromagnetic compatibility, see the specification in section CE above.

Compliance with the European Machinery Directive

The drive complies with the European Machinery Directive requirements for an equipment intended to be incorporated into machinery. The declaration of incorporation is available from ABB.

Product protection in the USA

This product is protected by one or more of the following US patents

4,920,306	5,301,085	5,463,302	5,521,483	5,532,568	5,589,754	5,612,604
5,654,624	5,799,805	5,940,286	5,942,874	5,952,613	6,094,364	6,147,887
6,175,256	6,184,740	6,195,274	6,229,356	6,252,436	6,265,724	6,305,464
6,313,599	6,316,896	6,335,607	6,370,049	6,396,236	6,448,735	6,498,452
6,552,510	6,597,148	6,600,290	6,741,059	6,774,758	6,844,794	6,856,502
6,859,374	6,922,883	6,940,253	6,934,169	6,956,352	6,958,923	6,967,453
6,972,976	6,977,449	6,984,958	6,985,371	6,992,908	6,999,329	7,023,160
7,034,510	7,036,223	7,045,987	7,057,908	7,059,390	7,067,997	7,082,374
7,084,604	7,098,623	7,102,325	7,109,780	7,164,562	7,176,779	7,190,599
7,215,099	7,221,152	7,227,325	7,245,197	7,250,739	7,262,577	7,271,505
7,274,573	7,279,802	7,280,938	7,330,095	7,349,814	7,352,220	7,365,622
7,372,696	7,388,765	7,408,791	7,417,408	7,446,268	7,456,615	7,508,688
7,515,447	7,560,894	D503,931	D510,319	D510,320	D511,137	D511,150
D512,026	D512,696	D521,466	D541,743S	D541,744S	D541,745S	
D548,182S	D548,183S	D573,090S				

Other patents pending.

Accessories

Input chokes: CHK-A1, CHK-B1, CHK-C1, CHK-D1

Output choke: ACS-CHK-B3, ACS-CHK-C3

Potentiometer unit: ACS55-POT

DriveConfig kit, for more information please contact your local ABB office. See *DriveConfig User's Guide* [3AFE68910897 (English)].

Betjeningsvejledning

for type ACS55

AC Drives

fra 0,18 til 2,2 kW



Dansk

DA

Forespørgsler vedrørende produktet og service

Har du spørgsmål vedrørende produktet, kontakt din lokale ABB-afdeling med oplysning om enhedens typebetegnelse og serienummer. Se ABB's salgs-, support- og serviceafdelinger på www.abb.com/drives. Vælg *Sales, Support and Service network*.

Produktuddannelse

Du kan læse om ABB's produktkurser på www.abb.com/drives. Vælg *Training courses*.

Dit feedback vedrørende ABB-drevmanualer

Vi modtager gerne dine kommentarer til vores manualer. Gå til www.abb.com/drives, og vælg *Document Library – Manuals feedback form (LV AC drives)*.

3AFE68929300 Rev C
DA
Gældende fra: 2010-04-12

ABB A/S
Meterbuen 33
DK-2740 Skovlunde
Tlf: +45 44 50 44 50
Fax +45 44 50 43 65

Sikkerhedsinstruktioner

følgende instruktioner omhyggeligt, inden installation udføres.

Advarsel! Farlig spænding!

Det er kun en uddannet elektriker, som må installere ACS55.

Undlad at arbejde med drevet, motorkablet eller motoren, når nettet er tilsluttet. Vent 5 minutter, efter at netspændingen er udkoblet, så mellemkredskondensatorerne kan aflades, inden arbejdet med drevet, motoren eller motorkablet påbegyndes.

Advarsel! Hvis kølepladen ikke jordes korrekt, så kan du få elektrisk stød, hvis du berører kølepladen.

Bemærk! DIP-switcher er tilsluttet farlig spænding.

Bemærk! Selv når motoren er stoppet, kan der være farlig spænding ved effektklemmerne L/R, N/S, T1/U, T2/V og T3/W.

Bemærk! Selv når enheden slukkes, kan der være farlig spænding fra eksterne kilder tilsluttet relæets udgangsklemmer.

Advarsel! Varme overflader!

Under drift kan køleelementet nå op på en høj temperatur (>80°C). Sørg for at følge installationsinstruktionerne.

Generelle sikkerhedsinstruktioner

ACS55 starter motoren automatisk efter strømafbrydelse, hvis det eksterne startsignal er slået til.

Forsøg ikke at reparere en ødelagt enhed. ACS55 kan ikke repareres på stedet. Kontakt leverandøren for udskiftning.

Installer ACS55 et sted, som kan aflåses, eller kun er tilgængelig ved brug af værktøj.

Tilslut ikke indgangsstrømmen til enheden mere end hvert tredje minut.

Skift af DIP-switcher påvirker ACS55's funktion og ydeevne. Kontroller at en ændring ikke indebærer risiko for personer eller ejendom.

Om denne manual

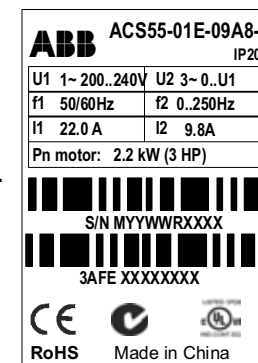
Denne vejledning indeholder nødvendig information om installation og start af enheden.

Kontrol ved levering

Ved leveringen medfølger:

1. ACS55
2. Betjeningsvejledning
3. To klemmer til styrekablet (kun EMC-enheder).

Kontroller mærkepladen og at den leverede enhed svarer til den bestilte.



ACS55-01 - -

EMC-filer: E = Indbygget, N = Nr.

Maks. kontinuerlig udgangsstrøm (I_2):

01A4 = 1,4 A, 02A2 = 2,2 A, 04A3 = 4,3 A,

07A6 = 7,6 A, 09A8 = 9,8 A

Forsyningsspænding (U_1):

1 = 110...120 VAC +10%/-15%

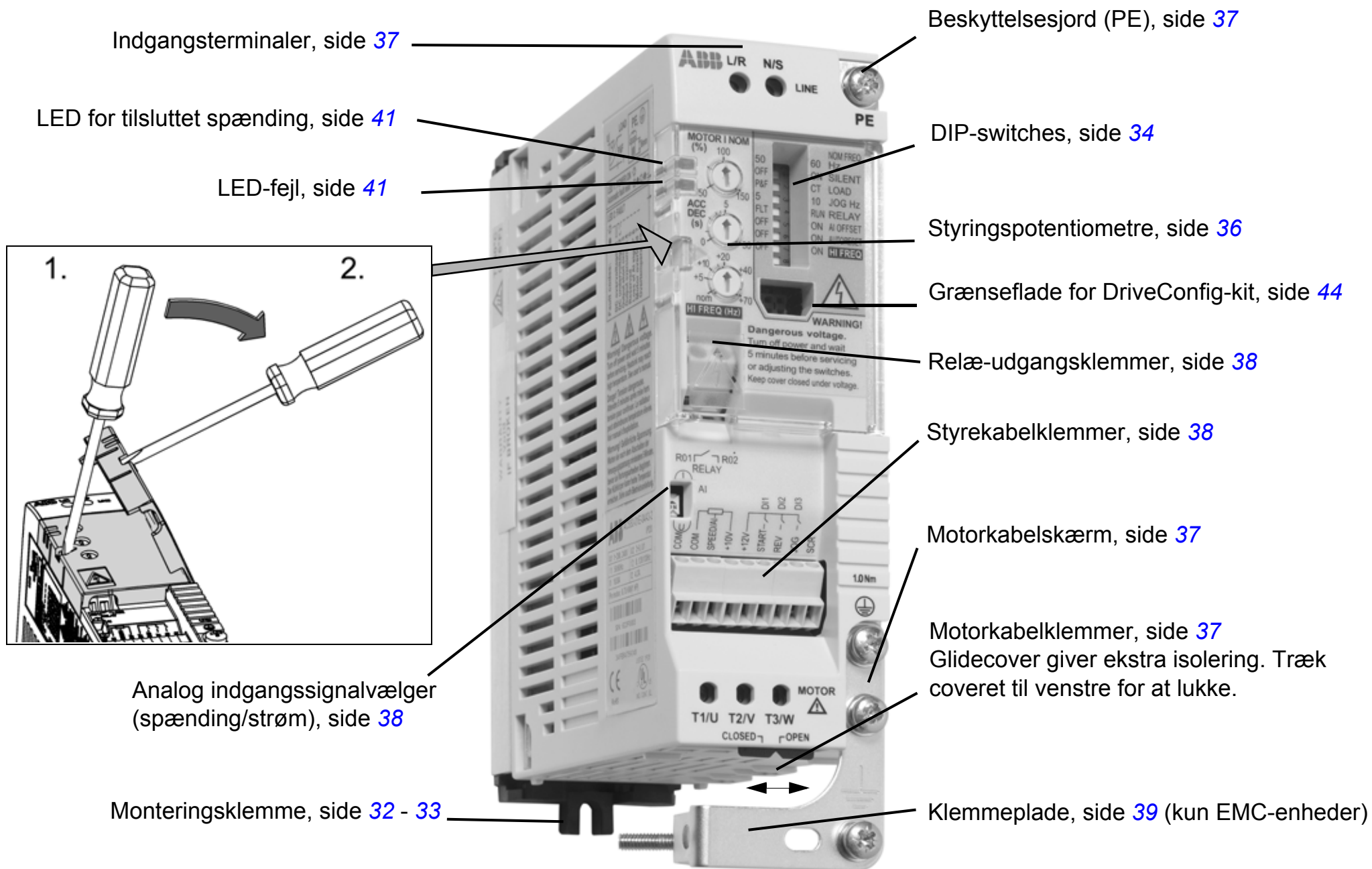
2 = 200...240 VAC +10%/-15%

Serienummeret (S/N) er trykt på mærkepladen.

(M = produktionssted, YY = produktionsår, WW = produktionsuge, R = produktrevisionsnummer (A, B, C...), XXXX = heltal med start hver uge fra 0001)

Oversigt

ACS55-drev styrer hastigheden af en 3-faset AC-kortslutningsmotor.



Installation og start

Læs [Sikkerhedsinstruktioner](#) på side [27](#) , inden du går videre.

	Handling	S.
1	Tjek leverancen.	27
2	Sørg for, at installationsmiljøet er egnet til ACS55.	30
3	Monter enheden.	32 - 33
4	Kontroller at standardindstillingerne passer: Motorens nominelle frekvens er 50 Hz; belastningen er en pumpe eller blæser; maks. udgangsfrekvens er 50 Hz. Hvis standardindstillingerne ikke passer, så juster DIP-switchene.	34
5	Sørg for MOTOR I NOM-potentiometeret passer til motorens mærkestrøm. Den definerer virkningen af motorens overbelastningsbeskyttelse.	36
6	Juster accelerations-/decelerationstidspotentiometeret ACC/DEC efter behov.	36
7	Tilslut strømforsyningskabler og motorkabler.	37
8	Tilslut styrekabler.	38
9	Slut netspændingen til. Den grønne LED lyser. Bemærk: Motoren roterer, hvis startsignalet er aktivt.	
10	Angiv hastighedsreferencen og aktiver startsignalet. Motoren accelererer til den angivne hastighedsreference.	40

Isolationstest

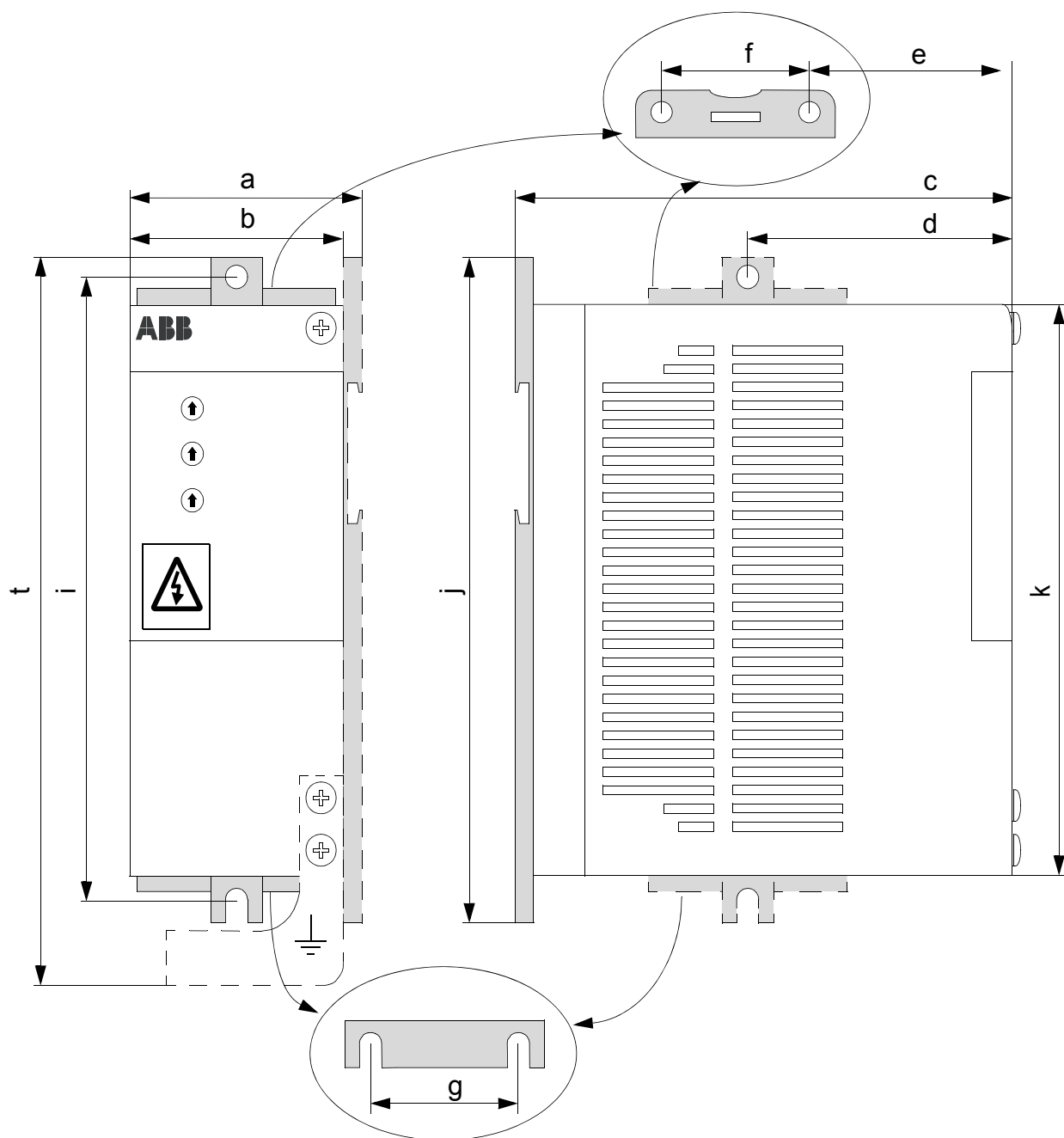
Der må ikke udføres nogen spændingstolerance- eller isolationsmodstandstest (fx hi-pot eller megger) på nogen del af drevet, da en sådan test kan beskadige drevet. Alle drev er blevet isolationstestede mellem hovedkreds og ramme på fabrikken. Der er også spændingsbegrænsende kredse inden i drevet, og disse reducerer automatisk testspændingen.

Omgivelsesbetingelser

	Montagested	Lagring og transport i beskyttelsespakning	
Lufttemperatur	-20°C (-4°F), frost ikke tilladt ¹⁾ +40°C (104°F), med nominel belastning +50°C (122°F), hvis kontinuerlig udgangsstrøm er maks. 85% af den nominelle udgangsstrøm I_2 +55°C (131°F), hvis kontinuerlig udgangsstrøm er maks. 75% af den nominelle udgangsstrøm I_2	-40°C (-40°F) til +70°C (158°F)	
Højde over havet	0...2000 m (0...6600 ft). Ved højde over havet på 1000...2000 m (3300...6600 ft), P_N og I_2 reduceres med 1% for hver 100 m.	Ingen grænse	
Rel. luftfugtighed	Mindre end 95%, ingen kondens	Mindre end 95%, ingen kondens	
Forureningsniveauer (IEC 60721-3-3)	<ul style="list-style-type: none"> • Ledende støv ikke tilladt • Luften skal være ren og fri for korroderende materialer og elektrisk ledende støv. • Kemiske gasser: Klasse 3C2 • Faste partikler: Klasse 3S2 	Lagring	Transport
		<ul style="list-style-type: none"> • Ledende støv ikke tilladt. • Kemiske gasser: Klasse 1C2 • Faste partikler: Klasse 1S2 	<ul style="list-style-type: none"> • Ledende støv ikke tilladt • Kemiske gasser: Klasse 2C2 • Faste partikler: Klasse 2S2
Vibration (IEC 60068-2-6)	Frekvensområde: 5...150 Hz Konstant maks. acceleration: 1 g	I henhold til ISTA 1A-specifikation	
Stød (IEC 60068-2-29)	Ikke tilladt	Maks. 100 m/s ² (330 ft/s ²), 11 ms (36 fts)	
Frit fald	Ikke tilladt	Ikke tilladt	

1) Ved betjening af drevet i frostvejr skal indgangsstrømmen holdes tilsluttet. Installer drevet inden i kapslingen. Sørg for at varmen fra drevet kan slippe ud.

Beskyttelsesgraden for ACS55 er IP20.



	Ramme A mm (in.)	Ramme B mm (in.)	Ramme C mm (in.)	Ramme D mm (in.)
a	53 (2,09)	72 (2,83)	74 (2,91)	74 (2,91)
b	45 (1,77)	67,5 (2,66)	70 (2,76)	70 (2,76)
c	128 (5,04)	128 (5,04)	159 (6,26)	159 (6,26)
d	67,5 (2,66)	67,5 (2,66)	-	-
e	-	-	77 (3,03)	77 (3,03)
f	-	-	40 (1,57)	40 (1,57)
g	-	-	40 (1,57)	40 (1,57)
t	183 (7,20)	183 (7,20)	-	230 (9,06)
i	156 (6,14)	156 (6,14)	182 (7,17)	214 (8,43)
j	170 (6,69)	170 (6,69)	194 (7,64)	226 (8,90)
k	146,5 (5,77)	146,5 (5,77)	171 (6,73)	203 (7,99)

Montage

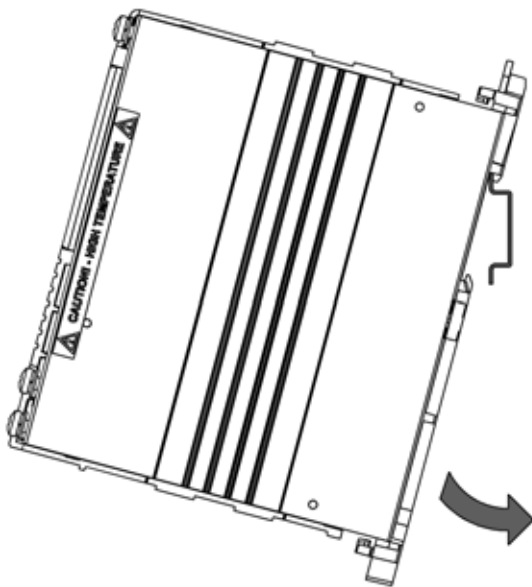
Advarsel! Enheden opvarmes til en høj temperatur under normal drift. Sørg for tilstrækkelig køleluft under alle forhold:

- Installer altid ACS55, så køleribberne holdes lodrette.
- Sørg for tilstrækkelig plads omkring ramme A og B. Ramme C og D køles af ventilator, så de kan installeres ved siden af hinanden uden ekstra plads mellem dem.

Installer enheden med monteringsklemme på en 35 mm DIN-skinne eller på væggen.

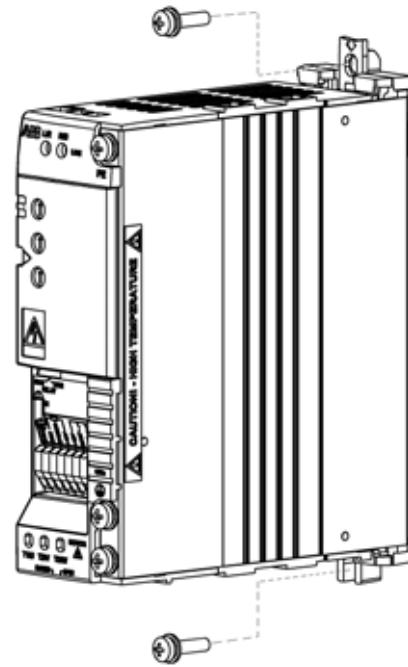
Montering på DIN-skinne

"Klik" ACS55 på skinnen. Tryk håndtaget på monteringsklemmen for at fjerne den.



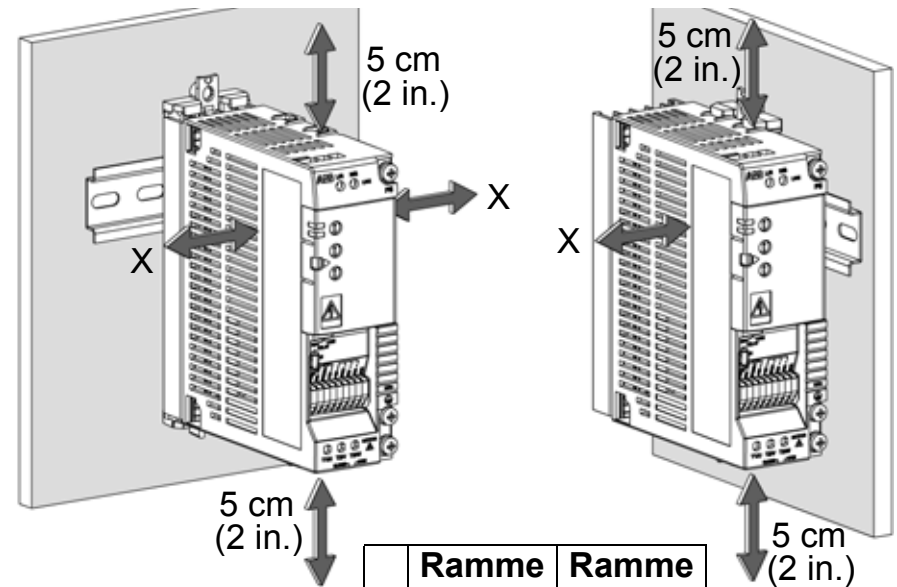
Vægmontage

Installer enheden på væggen med monteringsklemmen. Brug M4-skruer.



Friaestand

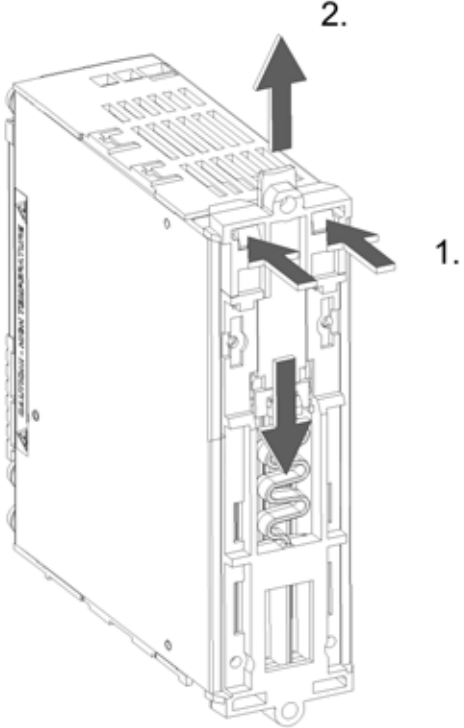
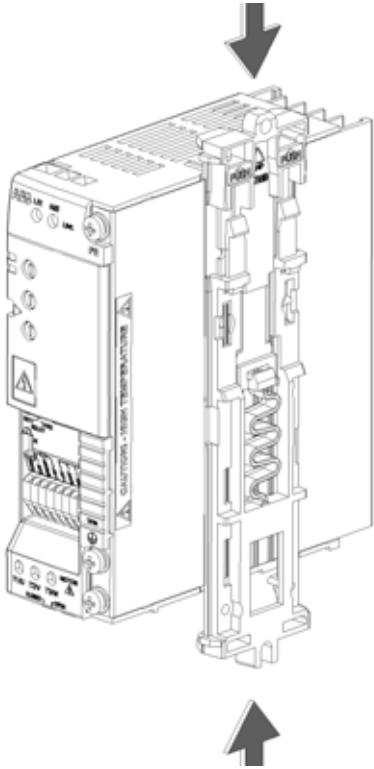
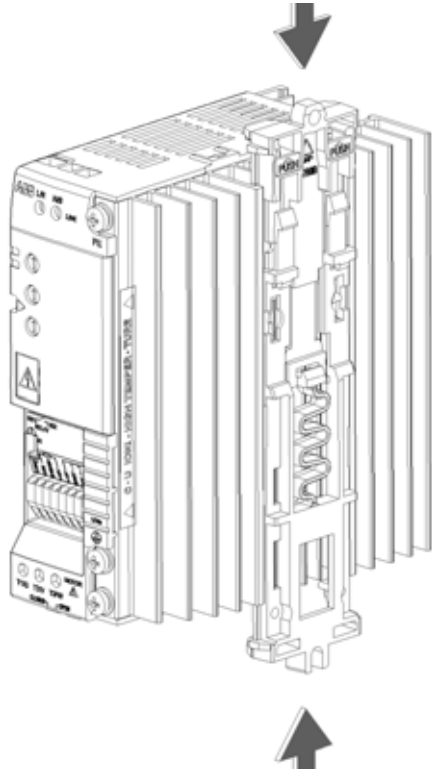
Der skal altid være nok plads omkring enheden for at sikre tilstrækkelig køling.



	Ramme A og B cm (in.)	Ramme C og D cm (in.)
X	1,5 (0,6)	0 (0)

Montering og demontering af vægmontageklemme

Enheden kan monteres enten med den brede eller den smalle side op mod væggen. Installer monteringsklemme på den ønskede side. Se vejledningen nedenfor vedrørende ramme A og B. Tag monteringsklemmen af ramme C og D ved at trække ned og fastgør ved at skubbe opad.

<p>Demontering af monteringsklemme, ramme A og B: Tryk på de to plastikknapper for at fjerne øvre og nedre del af klemmen fra hinanden.</p>	<p>Montering af monteringsklemme, ramme A: Placer de to dele som vist og klik dem sammen.</p>	<p>Montering af monteringsklemme, ramme B: Skub de to dele mellem køleribberne nedad og klik dem sammen.</p>
		

DIP-switch

DIP-switches bruges til tilpasning af ACS55 til motor og program.



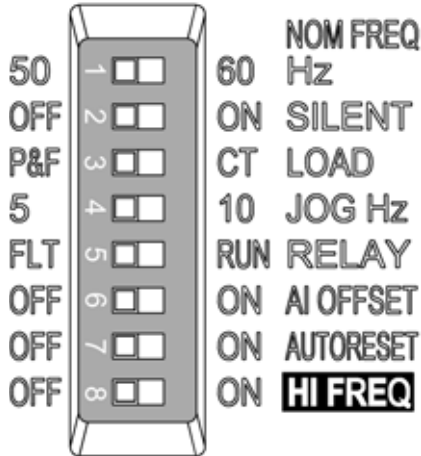


Advarsel! DIP-switchen leder farlig spænding (200 V). Sluk for strømmen og vent 5 minutter før justering af switches. Lad beskyttelsescoveret være lukket, når ACS55 er tændt.

Konfiguration

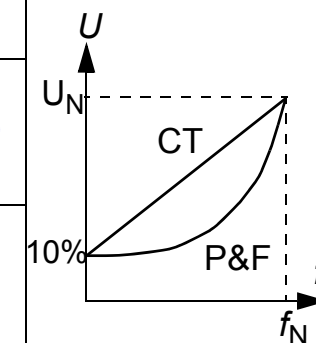
- Åbn forreste cover med spidsen af en skruetrækker og juster DIP-switchene.
- Brug spidsen af en skruetrækker til at føre switchen til venstre eller højre. Som standard er alle switches i venstre position.
- Luk frontdækslet.

Grundlæggende information

DIP-switch	#	Navn og funktion	Lange kabler indstillinger 	Alternative indstillinger 
	1	NOM FREQ HZ: Nominel motorfrekvens	50 Hz	60 Hz
	2	SILENT: Motors støjniveau (PWM-skiftfrekvens)	OFF - Normal (5 kHz)	ON - Stille (16 kHz)
	3	LOAD: Type af belastningsmoment (U/f-kurve)	P&F - Pumpe/ventilator	CT - Konstant moment
	4	JOG HZ: Konstant frekvens til jogging-funktion	5 Hz	10 Hz
	5	RELAY: Relæbetjening	FLT - Fejl	RUN - Motor kører
	6	AI OFFSET: Minimumsværdi til analog indgang	OFF - 0 mA (0 V)	ON - 4 mA (2 V)
	7	AUTORESET: Automatisk fejlnulstilling.	OFF - Ingen automatisk nulstilling	ON - Automatisk nulstilling aktiveret
	8	HI FREQ: Høj frekvenstilstand	OFF - Standard	ON - Høj frekvens aktiveret

Yderligere informationer

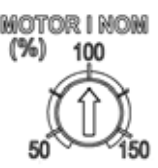

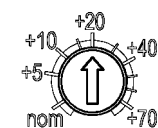
Nr.	Navn	Informationer
1	NOM FREQ Hz	Definerer motorens nominelle frekvens (se motorens mærkeplade).
2	SILENT	Definerer drevets skiftfrekvens. Bemærk: Jo højere frekvens, jo mere elektromagnetisk støj og jo kortere skal motorkablet være for at opfylde de europæiske EMC-bestemmelser. Se Tekniske data side 42. Bemærk! Skiftfrekvensen tilpasses ACS55-temperaturen.
3	LOAD	Optimerer udgangsspænding og frekvenssegenskaber i henhold til belastningen. Vælg P&F kvadratet af momentet (fx pumper og ventilatorer) og CT for konstant momentbelastning (fx bånd). ACS55 øger automatisk startspændingen 10% for at kompensere for motortab og øge startmomentet.
4	JOG Hz	Definerer jogging-frekvens. Aktiverer jogging-funktion ved tilslutning af 12...24 V jævnstrøm til digital indgang 3 ("JOG"). (Drevet accelererer eller decelererer i forhold til jogging-frekvensen og fortsætter til input slås fra.)
5	RELAY	Vælger drevstatus som den normalt åbne kontakt på relæudgangen angiver. FLT - Fejl. Kontakt åbnes under fejltilstand eller strømafbrydelse. RUN = Kører. Kontakten er lukket under kørsel.
6	AI OFFSET:	Aktiverer levende nul-overvågning for analog indgang. 4 mA (2 V) = ACS55 reagerer ved fejl, hvis værdien falder under grænsen. Se afsnit Styring af hastighed på side 40 for information om skalering af analog indgang.
7	AUTO- RESET	Aktiverer automatisk nulstilling ved følgende fejl: Underspænding, overspænding, analog indgangstab. ON = ACS55 vil forsøge at nulstille tre sekunder efter fejlreaktion. Maks. antal nulstillinger er ti i løbet af tre sekunder. Hvis det overskrides, stopper ACS55 og forsøger ikke ny nulstilling. Se også Statusangivelse og fejlspring på side 41. Advarsel! Hvis startsignal er tændt, startes motoren efter nulstilling. Sørg for, at der ikke opstår fare.
8	HI FREQ:	Definerer maks. udgangsfrekvens. FRA: Maks. frekvens = værdien defineres af NOM FREQ HZ-switchen. ON: Maks. frekvens = værdien defineres af NOM FREQ HZ-switchen og værdien af HI FREQ-potentiometret. Se Styringspotentiometre side 36.



Få yderligere oplysninger i *DriveConfig User's Guide* [3AFE68910897 (engelsk)].

Styringspotentiometre

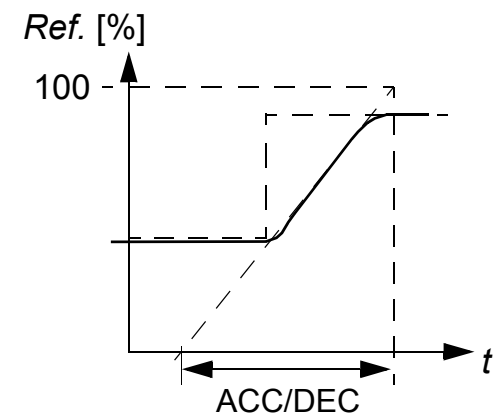
Styringspotentiometre kan justeres med en skruetrækker. Som standard er alle potentiometre i midterposition.

 <p>MOTOR I NOM (%)</p>	MOTOR I NOM	<p>Beregn MOTOR I NOM med følgende ligning eller vælg en værdi fra MOTOR I NOM nedenfor. ACS55 estimerer temperaturen for motoren baseret på målt udgangsstrøm og defineret nominal strøm for motoren. Drevet reagerer, hvis den estimerede temperatur angiver overophedning af motoren.</p> <p>Bemærk! Hvis motorkablerne er lange og skaber høj spænding, så kan det være nødvendigt at øge indstillingen af MOTOR I NOM.</p> $\text{MOTOR I NOM (\%)} = \frac{\text{Nominel motorstrøm [A]}}{\text{ACS55 nominel spænding [A]}} \cdot 100\%$
 <p>ACC/DEC (s)</p>	ACC/DEC	<p>Definerer acceleration og deceleration fra min. til maks. frekvens og omvendt i sekunder. Jo højere ACC/DEC-tid, jo langsommere følger ACS55 en given reference.</p>
 <p>HI FREQ (Hz)</p>	HI FREQ:	<p>Begrænser udgangsstrøm til en ønsket værdi mellem nominal frekvens og nominal frekvens + 70 Hz. For at bruge dette potentiometer slås højfrekvensindstillingen til med HI FREQ DIP. Se DIP-switch side 34.</p>

MOTOR I NOM - oversigtsdiagram

ACS55-01x-	Motors nominal spænding [A]										
	0,7	0,8	1,0	1,2	1,4	1,6	1,8	2,0	2,1		
-01A4-x	0,7	0,8	1,0	1,2	1,4	1,6	1,8	2,0	2,1		
-02A2-x	1,1	1,3	1,5	1,8	2,0	2,2	2,4	2,6	2,8	3,0	
-04A3-x	2,2	2,6	3,0	3,5	4,0	4,3	4,7	5,2	5,6	6,0	
-07A6-x	3,8	4,6	5,3	6,1	6,8	7,6	8,4	9,3	10,2	11,4	
-09A8-x	4,9	5,9	6,9	7,8	8,8	9,8	10,8	12,0	13,3	14,7	
MOTOR I NOM	50	60	70	80	90	100	110	120	130	140	150%

ACC/DEC-tid

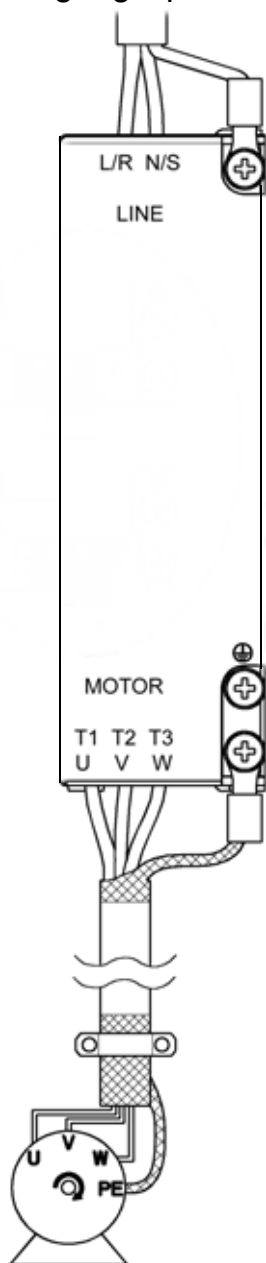



Tilslutning af strømforstyrning og motor

1-faset
indgangsspænding

⚠ Advarsel! Inden installation skal strømforstyrningen slukkes.

Bemærk: Sørg for korrekt strømforstyrning! Hvis man tilslutter 230 VAC til en ACS55-enhed, som er beregnet til 115 VAC, kan det ødelægge drevet!



Terminal	Beskrivelse	Ledningsstørrelse	Tilspændingsmoment
L/R, N/S	1~ strømforstyrningsindgang	Maks. 2,5 mm ² (ramme A og B) eller maks. 4 mm ² (ramme C og D) med fireleder kabel	0,5 N·m
T1/U, T2/V, T3/W	Motortilslutning		
PE 	Jordbeskyttelse. Beskyttelsesleder og skærm på kabel.	Brug fleksible kobberledning. Ledningsstørrelsen må ikke være mindre end størrelsen af det netkabel, der anvendes.	1 N·m

Advarsel! Hvis kølepladen ikke jordes korrekt, så kan du få elektrisk stød, hvis du berører kølepladen.

Bemærk: Brug kun de medfølgende M4x8-kombiskruer. Maks. tilladt dybde til jordingsskruer er **6 mm**.

Følg lokale regler for tværsnit. Brug strømkabel godkendt til 60°C (140°F) eller til 75°C (167°F), hvis temperaturen i omgivelserne er over 30°C (86°F). Se også [Yderligere kabelføring og EMC-vejledning](#) på side 39.

Jordlægestrøm for ACS55 kan overskride 3,5 mA AC / 10 mA DC. Ifølge EN50178 må ACS55 kun bruges i en permanent installation.

Indgangssikring

Se [Tekniske data](#) på side 42 for anbefalede sikringstyper.

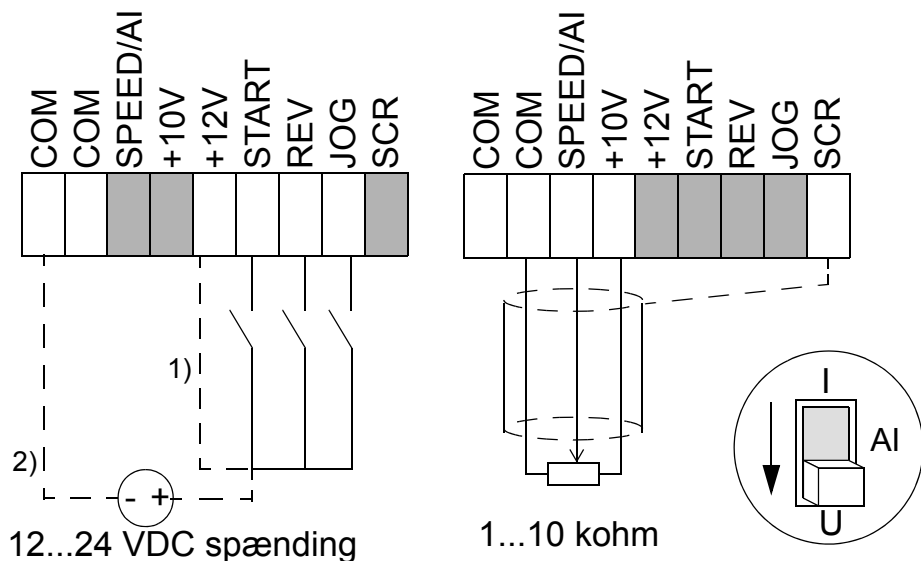
Motor

Motoren skal være en 3-faset vekselstrømsinduktionsmotor med nominel spænding U_N fra 200 til 240 V og nominel frekvens f_N på enten 50 eller 60 Hz. Motorens nominelle strøm skal være mindre end eller lig med den nominelle udgangsstrøm (I_2) for drevet.

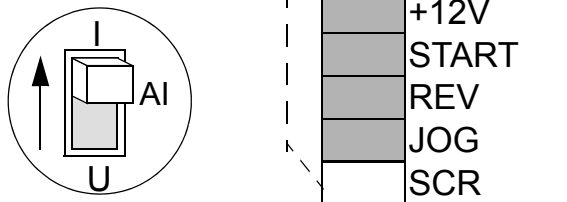
Hvis faserne er tilsluttet, U-U, V-V og W-W, og fremad er valgt som retning, så drejer akslerne med uret set fra drevakslens ende.

Tilslutning af styrekabler

Der kan bruges intern (1) eller ekstern (2) strømforsyning til digitale indgange. Analog styringspænding er 0...10 VDC som standard. (AI-jumper skal være i position spænding ("U")).



Brug af 0/4...20 mA spændingssignal: - Skift AI-jumper til position spænding ("I")
- Indstil AI OFFSET til ON, hvis signal 4...20 mA ønskes.



Styreterminaler

- Størrelse på leder: flertrådet 0,25...1,5 mm² (AWG 23 til AWG 16)
- Tilspændingsmoment: 0,25 N·m.

#	Navn	Beskrivelse
1	COM	Almindelig til digital eller analog indgang ¹⁾
2	COM	Almindelig til digital eller analog indgang ¹⁾
3	AI	Analog indgang: Hastighedsreference (frekvens). 0/2...10 VDC (R _i =190 kohm) eller 0/4...20 mA (R _i =100 ohm). Opløsning 0,1 %, nøjagtighed ±1 %.
4	+10V	Referencespænding til analoge indgange. Præcision +/-2 %. Maks. 10 mA.
5	+12V	Ekstraspænding til digital indgang, maks. 30 mA.
6	START	Digitalt input 1: Start (nulstiller drev efter fejlreaktion) ²⁾
7	REV	Digital indgang 2: Omvendt rotationsretning ²⁾
8	JOG	Digitalt input 3: Aktiver jog-hastighed ²⁾
9	SCR	Jord til signalkabelskærm. Tilsluttet internt til rammejordforbindelse.
Relæudgang		
1	RO1	Fejl: Relæ åbner. 12 V...250 VAC / 30 VDC 10 mA...2 A
2	RO2	

- 1) Tilsluttet internt til ramme (jord) via 1 Mohm-modstand.
- 2) Impedans for digitalindgange 1,5 kohm.

Yderligere kabelføring og EMC-vejledning

Følg vejledningen for problemfri betjening og sørg for at opfylde EU's EMC-direktiv.

Motorkabel

Motorkablet skal være et symmetrisk treleder-kabel med koncentrisk PE-leder eller et fireleder-kabel med koncentrisk skærm. Flettet metalskærm anbefales, fx type MCCMK (NK-kabler).

- Drej kabelskærmens ledning sammen i et bundt og tilslut til jordklemmen \perp . Hold bundtet så kort som muligt.
- Klem kabelskærmen som vist på figuren ved brug af internt og eksternt EMC-filter.

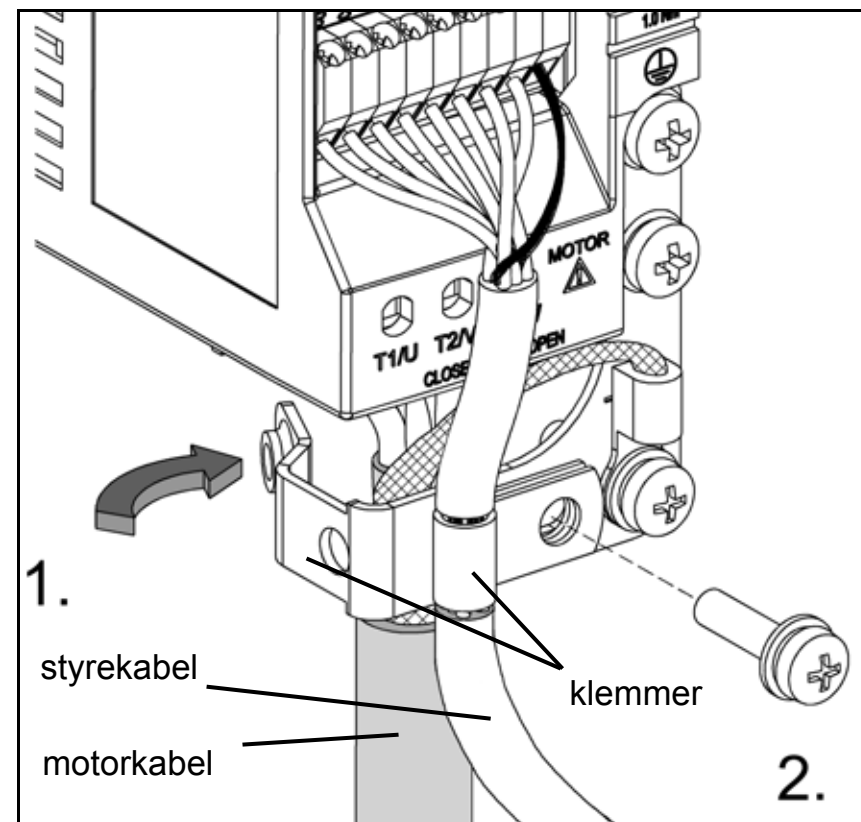
Ved motoren skal kabelskærmen jordes 360 grader med en EMC-kabelforskrunding, eller skærmen skal snos sammen til et bundt, som ikke er længere end fem gange tykkelsen og tilsluttes PE-terminalen på motoren.

Styrekabler

Styrekablerne skal altid være multilederkabler med en snoet kobberkabelskærm. Det anbefales at bruge dobbeltskærmet parsnoet kabel til analoge signaler.

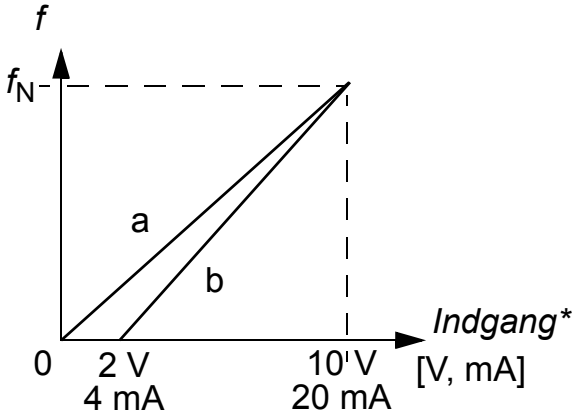
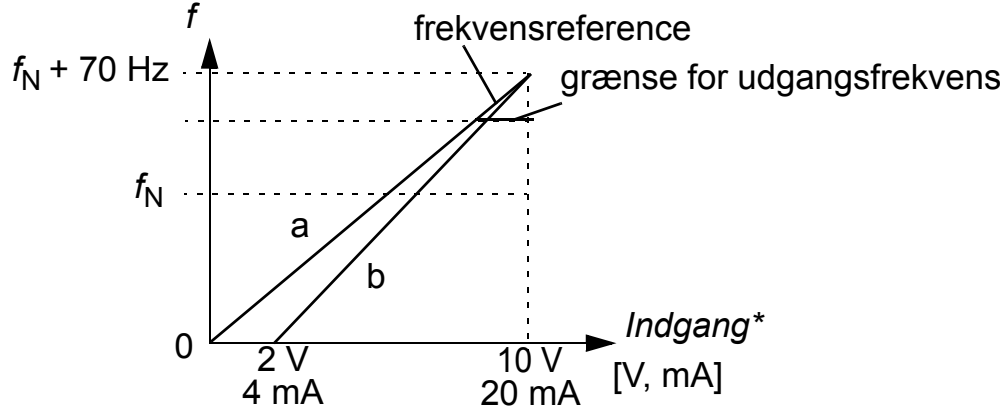
- Drej skærmen sammen til et bundt og tilslut til klemme SCR. Hold bundtet så kort som muligt.
- Klem styrekablet som vist på figuren (kun EMC-enheder).
- Før motorkablet væk fra styrekablerne og strømforsyningskablet for at undgå elektromagnetisk interferens (afstand > 20 cm).

Bemærk! Der må aldrig blandes 24 VDC og 115/230 VAC signaler i det samme kabel.



Styring af hastighed

Den analoge indgang angiver hastighedsreferencen (frekvens) for ACS55. Forholdet mellem analog indgang og referencen afhænger af indstillingerne for DIP-switches som vist nedenfor. Udgangsfrekvensen følger referenceændringerne, der defineres af ACC/DEC potentiometret.


Højfrekvenstilstand OFF (standard)	Højfrekvenstilstand ON
 <p>Indstillinger for DIP-switch: HI FREQ = OFF AI OFFSET = OFF (kurve a) eller ON** (kurve b) MOTOR NOM FREQ = 50 eller 60 Hz</p> <p>Udgangsfrekvensen begrænses til den valgte nominelle frekvens for motoren.</p>	 <p>Indstillinger for DIP-switch: HI FREQ = ON AI OFFSET = OFF (kurve a) eller ON** (kurve b) MOTOR NOM FREQ = 50 eller 60 Hz</p> <p>Den faktiske udgangsfrekvens begrænses til en værdi mellem f_N og $f_N + 70$ Hz af HI FREQ-potentiometret. Potentiometret påvirker ikke skaleringen af den analoge indgang.</p>
<p>* Brug AI-jumper til at vælge spænding eller strømsignal. Se side 38.</p> <p>** For at beskytte drevet mod tab af analogt indgangssignal, reagerer drevet, hvis signalværdien er under 2 V (4 mA).</p>	

Statusangivelse og fejlsporing

ACS55 har to statusangivelser via LED, som kan ses på frontdækslet.

Hvis drevet registrerer et problem, så blinker den røde LED. Efter at have rettet problemet nulstilles ved at slå startsignalet fra. Hvis start allerede er slået fra, så slå til og derefter fra igen.

Se tabellen nedenfor for fejlkoder (= nummeret for LED-blink).

Grøn LED	Rød LED	Beskrivelse
On	Off	ACS55 kører normalt.
On	Blinker On  Off	Beskyttelsesfunktion er aktiveret. Nummer for blink angiver fejlkoden.
Blinker	Blinker	ACS55 nulstilles automatisk i løbet af 3 sekunder. (*) Advarsel! Motoren starter, hvis startsignal er slået til.

#	Mulige fejlårsager og løsningsforslag	#	Mulige fejlårsager og løsningsforslag
1	DC-overspænding (*). 1) Netspænding er for høj: Kontroller strømforsyningen. 2) Decelerationsrampetiden er for kort i forhold til belastningsinertien: Øg ACC/DEC-tiden med potentiometret.	7	Motors overbelastning (I^2t overbelastning): 1) Kontroller belastningen og bekræft at motorstørrelsen passer til ACS55. 2) Bekræft at indstillingen af MOTOR I NOM-potentiometret er korrekt.
2	DC-underspænding (*). Netspænding er for lav: Kontroller strømforsyningen.	8	Inverter overbelastet eller for høj intern temperatur 1) Belastning er for høj eller 2) for lidt drevkølemiddel.
3	Kortslutning af udgang: Sluk for strømmen og kontroller motorviklingerne og motorkablet.	9	Anden fejl. Intern fejl. Sluk for strømmen og tænd igen. Hvis problemet fortsætter, skal enheden udskiftes.
4	Overspænding i udgang. 1) Accelerationstiden er for kort i forhold til belastningsinertien: Øg ACC/DEC-tiden med potentiometret. 2) Motor og drevstørrelse passer ikke sammen: Kontrollér motoren.	10	Parameteriseringsfejl. Bemærk! Begge LED'er blinker. DIP-switcher er flyttet fra standardindstilling efter drevet er parameteriseret med DriveConfig-værktøjet. Sæt switcher tilbage i standardposition.
5	Reserveret	11	Drevet er batteridrevet. Drevstatus angiver Fejl, fordi drevet ikke kan startes. For at betjene drevet skal det tilsluttes netspænding. Men hvis drevet drives af DriveConfig-kitstrømforsyningen, så er forbindelsen mellem DriveConfig og drevet i orden.
6	Analog indgangsværdi er mindre end 4 mA/2 V. (*) Bemærk: Overvågning er aktiv, når AI OFFSET er ON.	12	Drevet styres af DriveConfig (eller andet program med seriekommunikation) og kommunikationen er gået tabt. Kontroller kommunikationen.

(*) Automatisk nulstilling, hvis AUTORESET er ON. Se [DIP-switcher](#) på side 34.

Tekniske data

		230 V					115 V	
Indbygget EMC, ACS55-01E-		01A4-2	02A2-2	04A3-2	07A6-2	09A8-2	01A4-1	02A2-1
Intet EMC, ACS55-01N-		01A4-2	02A2-2	04A3-2	07A6-2	09A8-2	01A4-1	02A2-1
Kontinuerlig motorstrøm	kW	0,18	0,37	0,75	1,5	2,2	0,18	0,37
	hk	1/4	1/2	1	2	3	1/4	1/2
Rammestørrelse (ingen EMC)		A	A	B	C	C	A	A
Rammestørrelse (EMC)		A	A	B	D	D	A	A
Nominelle værdier								
Indgangsspænding (U_1):	V	200...240 (+10/-15%)					110...120 (+10/-15%)	
Kontinuerlig udgangsstrøm (I_2):	A	1,4	2,2	4,3	7,6	9,8	1,4	2,2
Maks. udgangsstrøm I_{2max}^*	A	2,1	3,3	6,5	11,4	14,7	2,1	3,3
Udgangsspænding U_2	V	0... U_1 , 3-fase					0... $2 \times U_1$, 3-fase	
Indgangsstrøm I_1	A	4,4	6,9	10,8	18,2	22,0	6,4	9,5
Koblingsfrekvens	kHz	5 (maks. 16)						
Beskyttelsesgrænser								
Overspænding (peak)	A	4,4	6,9	13,5	23,9	30,9	4,4	6,9
Overtemperatur		95°C / 203°F (varmemodtager)						
Maks. lederstørrelse								
Netterminaler	mm ²	2,5 (AWG 14)			4 (AWG 12)		2,5 (AWG 14)	
Styreterminaler	mm ²	1,5 (AWG 16)						
Effekttab	W	21	32	51	74	103	24	35
Sikringsstørrelse **								
IEC, type IEC269 gG	A	10	16	16	25	32	10	16
UL, type CC og T	A	10	15	20	25	30	10	15
Vægt, indbygget EMC, ACS55-01E-	kg (lb)	0,65 (1,4)	0,7 (1,5)	0,9 (2)	1,6 (3,5)	1,7 (3,7)	0,65 (1,4)	0,7 (1,5)
Vægt, intet EMC, ACS55-01N-	kg (lb)	0,65 (1,4)	0,7 (1,5)	0,9 (2)	1,2 (2,6)	1,3 (2,9)	0,65 (1,4)	0,7 (1,5)

* Tilladt i 1 minut.

** Anbefalede værdier. Der må anvendes ultrahurtige sikringer eller sikringer med lav peak-værdi. Følg lokale regler.

Maks. motorkabellængde

For at opfylde EU's EMC-bestemmelser skal motorkablets længde begrænses som angivet i tabellen nedenfor. Jo kortere motorkabel, jo lavere støjemission til forsyningslinjen og miljøet.

Omformertype ACS55-01x-	Koblingsfrekvens	
	5 kHz	16 kHz ¹⁾
Indbygget EMC-filter		
<i>EN61800-3, først miljø, ubegrænset distribution ²⁾</i>		
01A4-2, ..., 04A3-2	10 m	3 m
01A4-1, 02A2-1	10 m	3 m
07A6-2, 09A8-2	10 m	3 m
<i>EN61800-3, først miljø, begrænset distribution ²⁾</i>		
01A4-2, ..., 04A3-2	10 m	10 m
01A4-1, 02A2-1	10 m	10 m
07A6-2, 09A8-2	20 m	10 m
<i>EN61800-3, andet miljø ³⁾</i>		
01A4-2, ..., 04A3-2	10 m	10 m
01A4-1, 02A2-1	10 m	10 m
07A6-2, 09A8-2	30 m	10 m

1) Koblingsfrekvens vælges med DIP-switch. Se side [35](#).

2) Gælder kun ledningsbåren emission.

3) Gælder ledningsbåren og strålingsemission.

Beskyttelser

Overspænding, underspænding, kortslutning, overspænding, analogt indgangstab, overbelastning af motor, overbelastning af omformer.

Distributionsnet med jordisolering

Drev med indbygget EMC-filter må ikke anvendes i flydende net eller et industrinet med høj impedansjording.

Miljøoplysninger

Et produkt, der skal bortskaffes, indeholder værdifulde råmaterialer, der skal genbruges, så der spares energi og naturressourcer. Information om bortskaffelse fås hos ABB's salgs- og serviceafdelinger.

Begrænsninger af ansvar

Producenten er ikke ansvarlig for:

- Omkostninger, der er opstået på grund af fejl, hvis installationen, ibrugtagning, reparation, ændring af drevet, eller omgivelsesbetingelserne ikke opfylder de krav, som er specificeret i den dokumentation, der er leveret med enheden, eller anden relevant dokumentation.
- Enheder, som er blevet anvendt forkert, dårligt vedligeholdt eller udsat for uheld.
- Enheder, der består af materialer eller konstruktioner, som indkøberen har leveret eller konstrueret.

Fabrikanten, dennes underleverandører eller underentreprenører kan under ingen omstændigheder gøres ansvarlig for specielle, indirekte, tilfældige eller deraf følgende skader, tab eller bøder.

Hvis du har spørgsmål vedrørende dit ABB-drev, kontakt din lokale forhandler eller ABB-afdeling. Alle tekniske data, oplysninger og specifikationer er gyldige på det tidspunkt, denne manual er blevet trykt. Fabrikanten forbeholder sig ret til at foretage ændringer uden forudgående varsel.

Godkendelser

CE

ACS55 overholder kravene i EU's

- lavspændingsdirektiv 73/23/EØF med senere ændringer
- EMC-direktiv 89/336/EØF med senere ændringer.

Tilsvarende erklæringer og liste med standarder udleveres efter anmodning.

Elektromagnetisk kompatibilitet:

ACS55 opfylder følgende standarder, forudsat at installationen sker korrekt og i henhold til anvisningerne i denne manual:

Ledningsbåren højfrekventemission	EN61800-3, første miljø, ubegrænset distribution ¹⁾
Stråling med højfrekventemission	EN61800-3, første miljø, begrænset distribution
Immunitet	EN61800-3 andet miljø
Harmonisk netstrøm	IEC61000-3-2

1) Overholdelse af maksimal tilladt motorkabellængde og koblingsfrekvens, side 43. Se også kablingsanvisninger på side 39.

Det aktuelle harmoniske niveau kan reduceres ved montering af ekstern indgangschoker.

Mærkning af UL, cUL og C-Tick

Se mærkepladen.

UL, cUL:

ACS55 er egnet til brug i et kredsløb med maks. 65 kA rms symmetriske ampere, 230 volt maks. og beskyttelse med sikringer i klasse CC eller T.

C-Tick-mærkning

Vedr. elektromagnetisk kompatibilitet henvises til specifikationen i afsnit [CE](#) ovenfor.

Overensstemmelse med det europæiske maskindirektiv

Drevet opfylder kravene til EU's maskindirektiv (89/392/EEC) for udstyr, der er beregnet til indbygning i maskinanlæg. Ibrugtagningserklæring fås hos ABB.

Produktbeskyttelse i USA

Dette produkt er beskyttet af en eller flere af følgende US-patenter.

4,920,306	5,301,085	5,463,302	5,521,483	5,532,568	5,589,754	5,612,604
5,654,624	5,799,805	5,940,286	5,942,874	5,952,613	6,094,364	6,147,887
6,175,256	6,184,740	6,195,274	6,229,356	6,252,436	6,265,724	6,305,464
6,313,599	6,316,896	6,335,607	6,370,049	6,396,236	6,448,735	6,498,452
6,552,510	6,597,148	6,600,290	6,741,059	6,774,758	6,844,794	6,856,502
6,859,374	6,922,883	6,940,253	6,934,169	6,956,352	6,958,923	6,967,453
6,972,976	6,977,449	6,984,958	6,985,371	6,992,908	6,999,329	7,023,160
7,034,510	7,036,223	7,045,987	7,057,908	7,059,390	7,067,997	7,082,374
7,084,604	7,098,623	7,102,325	7,109,780	7,164,562	7,176,779	7,190,599
7,215,099	7,221,152	7,227,325	7,245,197	7,250,739	7,262,577	7,271,505
7,274,573	7,279,802	7,280,938	7,330,095	7,349,814	7,352,220	7,365,622
7,372,696	7,388,765	7,408,791	7,417,408	7,446,268	7,456,615	7,508,688
7,515,447	7,560,894	D503,931	D510,319	D510,320	D511,137	D511,150
D512,026	D512,696	D521,466	D541,743S	D541,744S	D541,745S	
D548,182S	D548,183S	D573,090S				

Andre patenter følger.

Tilbehør

Indgangschoker: CHK-A1, CHK-B1, CHK-C1, CHK-D1

Udgangschoker: ACS-CHK-B3, ACS-CHK-C3

Potentiometer-enhed: ACS55-POT

Kontakt din lokale ABB-repræsentant for at få yderligere oplysninger om DriveConfig kit. Se *DriveConfig User's Guide* [3AFE68910897 (engelsk)].

Betriebsanleitung

für ACS55
Frequenzumrichter
von 0,18 bis 2,2 kW

Deutsch

DE



Anfragen zum Produkt und zum Service

Wenden Sie sich mit Anfragen zum Produkt unter Angabe des Typenschlüssels und der Seriennummer des Geräts an Ihre ABB-Vertretung. Eine Liste der ABB Verkaufs-, Support- und Service-Adressen finden Sie im Internet unter www.abb.de/motors&drives, Auswahl *Frequenzumrichter & Stromrichter* unter dem Link *Sales, Support and Service network*.

Produkt-Schulung

Informationen über die Produktschulung von ABB finden Sie im Internet unter www.abb.com/drives und der Auswahl *Drives - Training courses* auf der rechten Seite.

Feedback zu den Antriebshandbüchern von ABB

Über Kommentare und Hinweise zu unseren Handbüchern freuen wir uns. Auf der Internetseite www.abb.com/drives und Auswahl *Hier finden Sie alle Dokumente zum Download – Manuals feedback form (LV AC drives)* finden Sie das Formblatt für Mitteilungen.

3AFE68929300 Rev C
DE
Gültig ab: 2010-04-12

ABB Automation Products GmbH
Motors & Drives
Wallstadter Straße 59
D-68526 Ladenburg
DEUTSCHLAND
Telefon +49 (0)6203 717 717
Telefax +49 (0)6203 717 600
Internet www.abb.de/motors&drives

ABB AG
Drives & Motors
Clemens-Holzmeister-Straße 4
A-1109 Wien
ÖSTERREICH
Telefon +43-(0)1-60109-0
Telefax +43-(0)1-60109-8305

ABB Schweiz AG
Normelec
Badenerstrasse 790
CH-8048 Zürich
SCHWEIZ
Telefon +41-(0)58-586 00 00
Telefax +41-(0)58-586 06 03
E-Mail: elektrische.antriebe@ch.abb.com
Internet: www.abb.ch

Sicherheitsvorschriften

Lesen Sie die folgenden Anweisungen aufmerksam durch, bevor Sie mit der Installation beginnen.

Warnung! Gefährliche Spannung!

Der ACS55 darf nur von qualifiziertem Fachpersonal installiert werden.

Niemals bei eingeschalteter Spannungsversorgung am Frequenzumrichter, dem Motorkabel oder dem Motor arbeiten. Warten Sie nach dem Abschalten der Spannungsversorgung stets 5 Minuten, bis die Zwischenkreiskondensatoren entladen sind, bevor Sie mit der Arbeit am Frequenzumrichter beginnen.

Warnung! Wenn der Kühlkörper nicht ordnungsgemäß geerdet ist, können Sie bei Berührung einen elektrischen Schlag erhalten.

Hinweis: DIP-Schalter führen eine gefährliche Spannung.

Hinweis: Auch wenn der Motor gestoppt wurde, liegen gefährlich hohe Spannungen an den Leistungsanschlüssen L/R, N/S, T1/U, T2/V und T3/W an.

Hinweis: Auch wenn die Einheit ausgeschaltet ist, können gefährliche Spannung von externen Spannungsquellen an den Relaisausgangsklemmen anliegen.

Warnung! Heiße Oberflächen!

Während des Betriebs kann der Kühlkörper eine hohe Temperatur (>80°C) erreichen. Stellen Sie sicher, dass die Installationsanweisungen eingehalten werden.

Allgemeine Sicherheitsvorschriften

Der ACS55 startet den Motor automatisch nach einer Unterbrechung der Spannungsversorgung, wenn ein externes Startsignal aktiviert ist. Versuchen Sie nicht, ein defektes Gerät selbst zu reparieren. Der ACS55 kann nicht vor Ort repariert werden. Wenden Sie sich wegen eines Austauschgeräts an Ihren Lieferanten.

Installieren Sie den ACS55 in einem verschließbaren oder nur mit Werkzeug zu öffnendem Schaltschrank/Gehäuse.

Die Spannungsversorgung der Einheit darf nur einmal alle drei Minuten eingeschaltet werden.

Eine Änderung der DIP-Schalterstellung wirkt sich auf die Funktion und Leistung des ACS55 aus. Stellen Sie sicher, dass eine Änderung keine Gefährdung für Personen oder Geräte verursacht.

Informationen über diese Betriebsanleitung

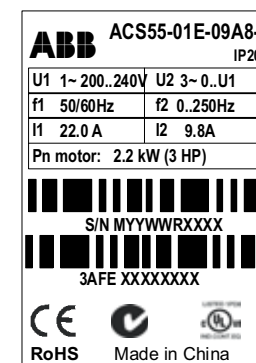
Diese Betriebsanleitung enthält die notwendigen Informationen für die Installation und Inbetriebnahme des Frequenzumrichters.

Prüfen bei Lieferung

Lieferumfang:

1. ACS55
2. Betriebsanleitung
3. Zwei Steuerkabelklemmen (nur bei EMV-Einheiten).

Anhand des Typenschilds prüfen, ob das gelieferte Gerät der Bestellung entspricht.



ACS55-01 - -

EMV-Filter: E = eingebaut, N = ohne

Max. Dauerausgangsstrom (I_2):

01A4 = 1.4 A, 02A2 = 2.2 A, 04A3 = 4.3 A,

07A6 = 7,6 A, 09A8 = 9,8 A

Spannungsversorgung (U_1):

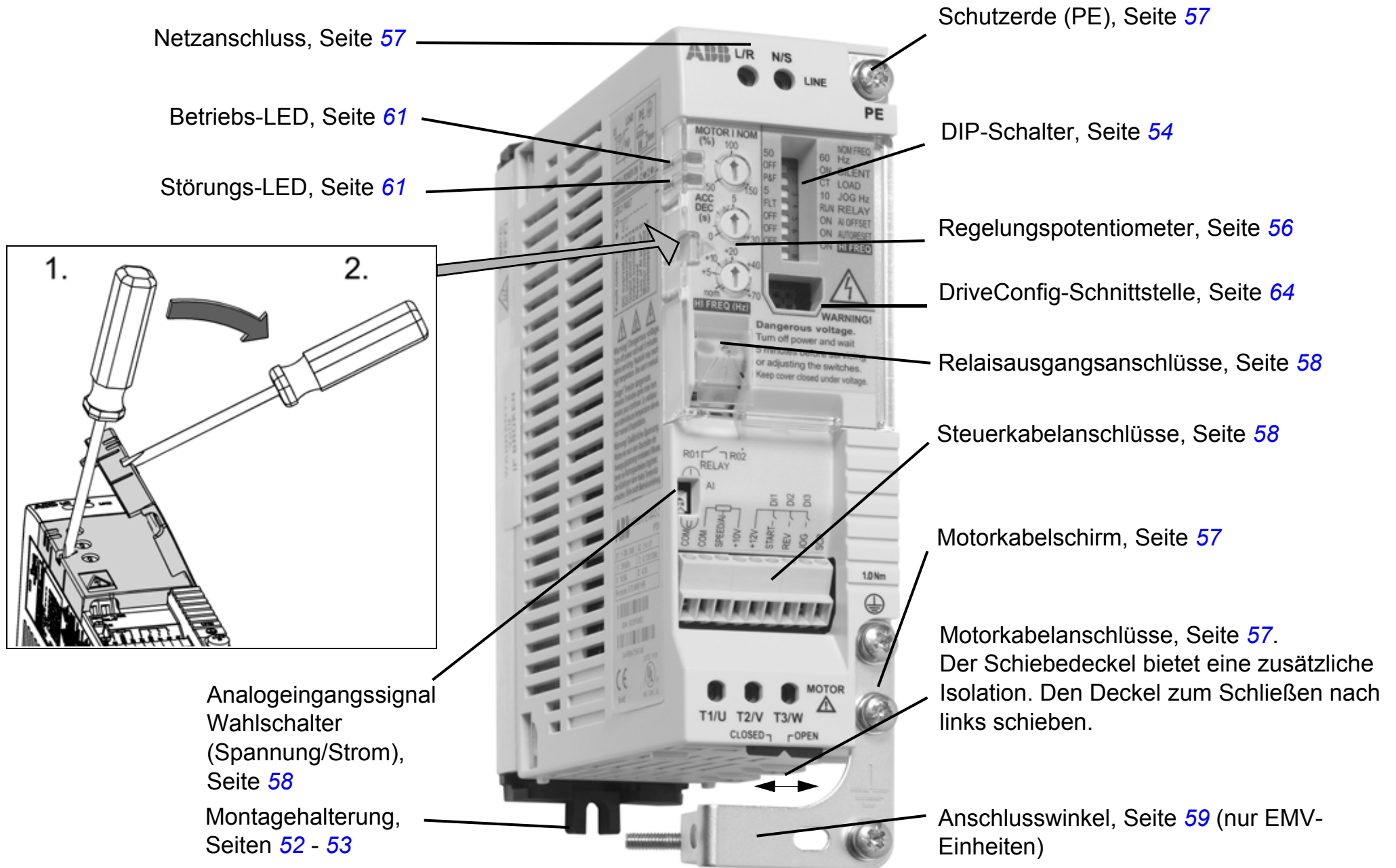
1 = 110...120 VAC +10%/-15%

2 = 200...240 VAC +10%/-15%

Die Seriennummer (S/N) ist auf das Typenschild gedruckt. (M = Herstellerwerk, YY = Prod.-Jahr, WW = Prod.-Woche, R = Produktversion (A, B, C...), XXXX = laufende Produktionsnummer, beginnt jede Woche mit 0001)

Geräte-Übersicht

Der ACS55 regelt die Drehzahl eines 3-phasigen Asynchronmotors.



Installations- und Inbetriebnahmeschritte

Vor Beginn der Installation und Inbetriebnahme die [Sicherheitsvorschriften](#) auf Seite [47](#) lesen.

	Maßnahme	S.
1	Prüfen des Lieferumfangs	47
2	Sicherstellen, dass die Umgebungsbedingungen am Installationsort für den ACS55 geeignet sind.	50
3	Montage des ACS55.	52 - 53
4	Prüfen, ob die Standardeinstellungen verwendet werden können: Motornennfrequenz 50 Hz; Antrieb einer Pumpe oder eines Lüfters; maximale Ausgangsfrequenz 50 Hz. Wenn die Standardeinstellungen nicht verwendbar sind, die DIP-Schalteneinstellungen entsprechend ändern.	54
5	Sicherstellen, dass der MOTOR I NOM Potentiometer auf den Nennstrom des Motors eingestellt ist. Die Einstellung ist die Berechnungsgrundlage für den thermischen Motorschutz.	56
6	Einstellen der Beschleunigungs-/Verzögerungszeiten mit Potentiometer ACC/DEC, falls erforderlich.	56
7	Anschluss der Spannungsversorgungs- und Motorkabel.	57
8	Anschluss der Steuerkabel.	58
9	Die Spannungsversorgung einschalten. Grüne LED leuchtet. Hinweis: Der Motor dreht, wenn das Startsignal aktiviert ist.	
10	Den Drehzahlsollwert einstellen und das Startsignal aktivieren. Der Motor beschleunigt auf den eingestellten Drehzahlsollwert.	60

Isolation der Baugruppe prüfen

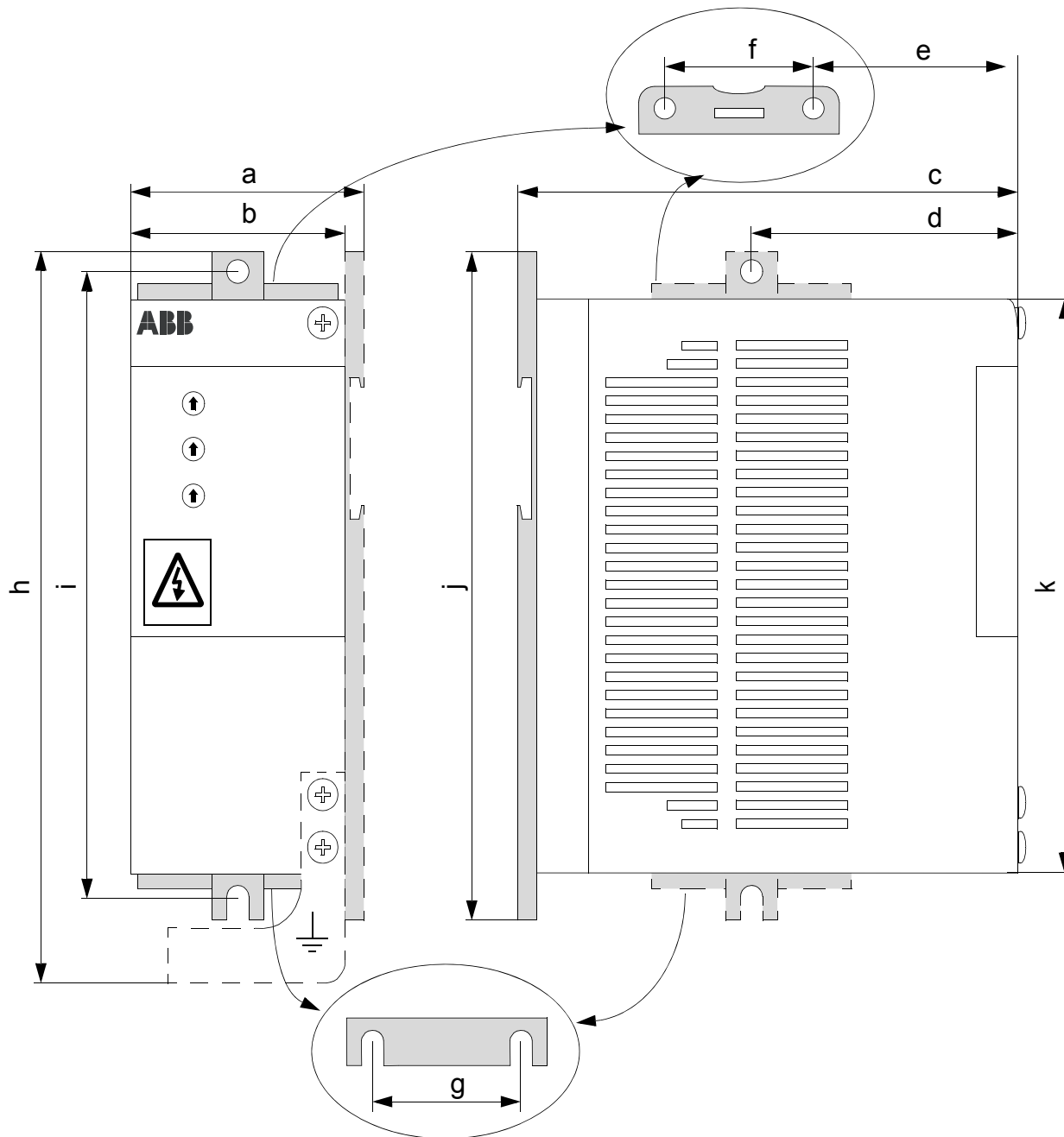
An keinem Teil des Frequenzumrichters dürfen Spannungstoleranzprüfungen oder Prüfungen des Isolationswiderstands (z.B. Hi-Pot oder Megohmmeter) durchgeführt werden, da der Frequenzumrichter dadurch beschädigt werden kann. Bei jedem Frequenzumrichter wurde die Isolation zwischen dem Hauptstromkreis und dem Gehäuse werksseitig geprüft. Zudem ist der Frequenzumrichter mit spannungsbegrenzenden Stromkreisen ausgestattet, die die Prüfspannung automatisch begrenzen.

Grenzwerte der Umgebungsbedingungen

	Installationsort	Lagerung und Transport in der Schutzverpackung	
Lufttemperatur	-20°C (-4°F), Eisbildung nicht zulässig ¹⁾ +40°C (104°F), bei Nennlast +50°C (122°F), bei Dauerausgangsstrom max. 85% des Nennausgangsstroms I_2 +55°C (131°F), bei Dauerausgangsstrom max. 75% des Nennausgangsstroms I_2	-40°C (-40°F) bis +70°C (158°F)	
Höhe über N.N.	0...2000 m (0...6.600 ft). Bei Höhen 1000... 2000 m (3.300...6.600 ft), Leistungsminde- rung von P_N und I_2 um 1% für +100 m Höhe.	Keine Einschränkung	
Relative Luftfeuchte	Geringer als 95%, Kondenswasserbildung nicht zulässig.	Weniger als 95%, Kondenswasserbildung nicht zulässig.	
Kontaminations- grade (IEC 60721-3-3)	<ul style="list-style-type: none"> • Leitfähiger Staub nicht zulässig. • Saubere Luft, frei von korrosiven Materia- lien und elektrisch leitfähigem Staub. • Chemische Gase: Klasse 3C2 • Feststoffe: Klasse 3S2 	Lagerung	Transport
		<ul style="list-style-type: none"> • Leitfähiger Staub nicht zulässig. • Chemische Gase: Kl. 1C2 • Feststoffe: Klasse 1S2 	<ul style="list-style-type: none"> • Leitfähiger Staub nicht zulässig. • Chemische Gase: Kl. 2C2 • Feststoffe: Klasse 2S2
Schwingungen, sinusförmig (IEC 60068-2-6)	Frequenzbereich: 5...150 Hz Konstante Spitzenbeschleunigung: 1 g	Entsprechend der Spezifikation ISTA 1A	
Stoß (IEC 60068-2-29)	Nicht zulässig	Max. 100 m/s ² (330 ft/s ²), 11 ms (36 fts)	
Freier Fall	Nicht zulässig	Nicht zulässig	

1) Beim Betrieb des Frequenzumrichters bei Temperaturen unter dem Gefrierpunkt, muss er ständig an die Spannungsversorgung angeschlossen bleiben. Der Frequenzumrichter muss in einen Schaltschrank oder ein Gehäuse eingebaut werden. Stellen Sie sicher, dass die vom Frequenzumrichter erzeugte Wärme ordnungsgemäß abgeleitet wird.

Der ACS55 hat die Schutzart IP20.



	Bau- größe A mm (in.)	Bau- größe B mm (in.)	Bau- größe C mm (in.)	Bau- größe D mm (in.)
a	53 (2,09)	72 (2,83)	74 (2,91)	74 (2,91)
b	45 (1,77)	67,5 (2,66)	70 (2,76)	70 (2,76)
c	128 (5,04)	128 (5,04)	159 (6,26)	159 (6,26)
d	67,5 (2,66)	67,5 (2,66)	-	-
e	-	-	77 (3,03)	77 (3,03)
f	-	-	40 (1,57)	40 (1,57)
g	-	-	40 (1,57)	40 (1,57)
h	183 (7,20)	183 (7,20)	-	230 (9,06)
i	156 (6,14)	156 (6,14)	182 (7,17)	214 (8,43)
j	170 (6,69)	170 (6,69)	194 (7,64)	226 (8,90)
k	146,5 (5,77)	146,5 (5,77)	171 (6,73)	203 (7,99)

Montage

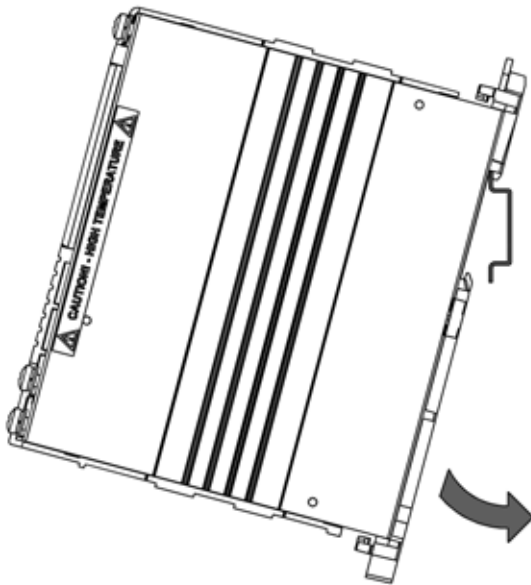
Warnung! Während des normalen Betriebs heizt sich die Einheit auf eine hohe Temperatur auf. Unter allen Betriebsbedingungen muss ein ausreichender Kühlluftstrom gewährleistet sein:

- Der ACS55 muss immer so installiert werden, dass die Kühlrippen senkrecht stehen.
- Ausreichende Abstände um die Frequenzumrichter der Baugrößen A und B einhalten. Die Geräte der Baugrößen C und D sind Lüfter gekühlt, so dass sie ohne Abstände nebeneinander installiert werden können.

Die Montage erfolgt mit Montageclip auf einer 35 mm DIN-Schiene oder an einer Wand.

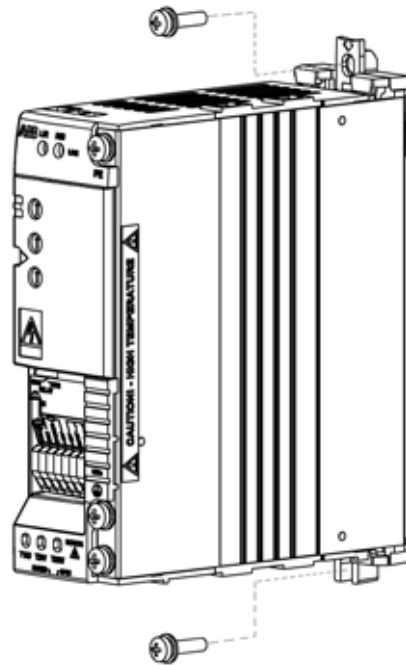
Montage auf DIN-Schiene

Den ACS55 auf die Montage-schiene setzen und einrasten. Zum Abnehmen den Federriegel oben am Montageclip drücken.



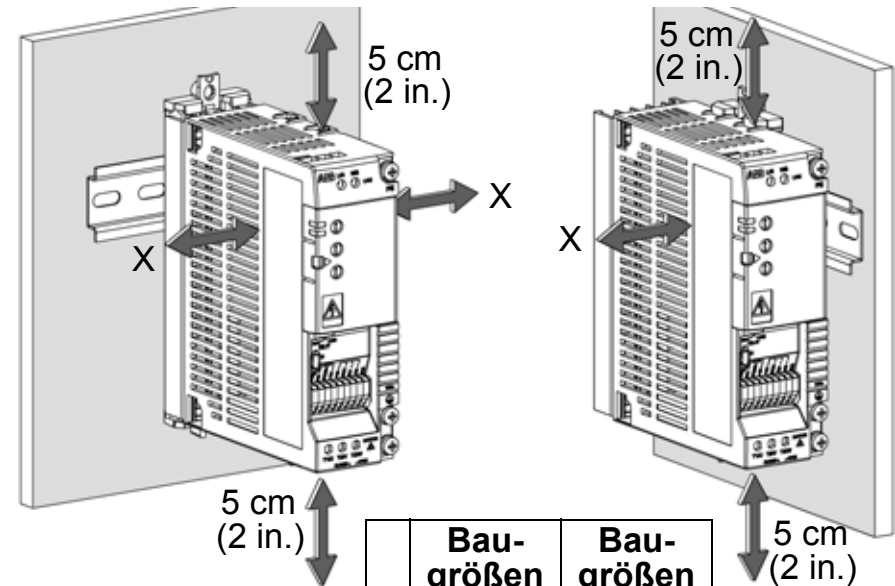
Montage an einer Wand

Den ACS55 mit einer Schraube durch den Montageclip an der Wand befestigen. Dazu M4-Schrauben verwenden.



Freie Abstände

Für eine ausreichende Kühlung des ACS55 sind immer die unten angegebenen Abstände um das Gerät einzuhalten.

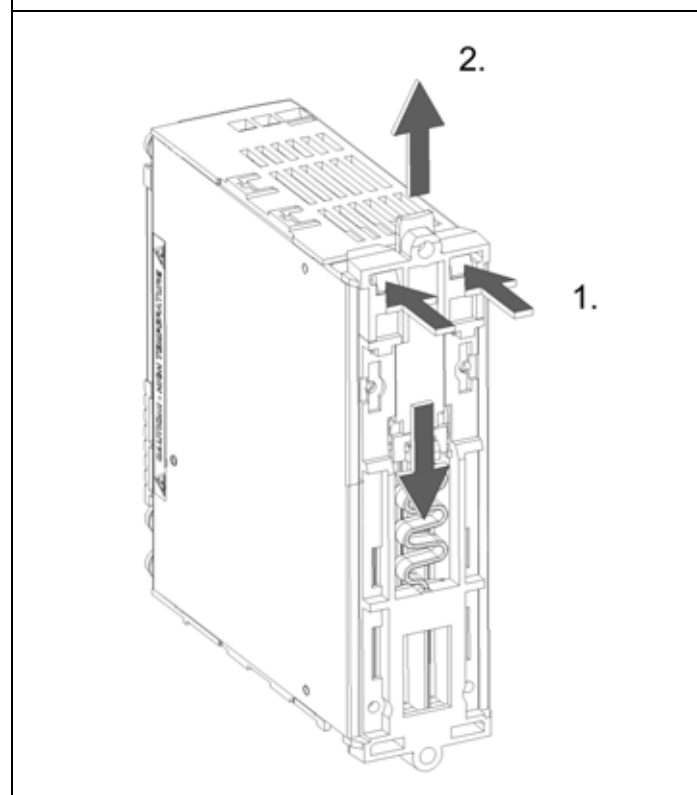


	Bau- größen A und B cm (in.)	Bau- größen C und D cm (in.)
X	1,5 (0,6)	0 (0)

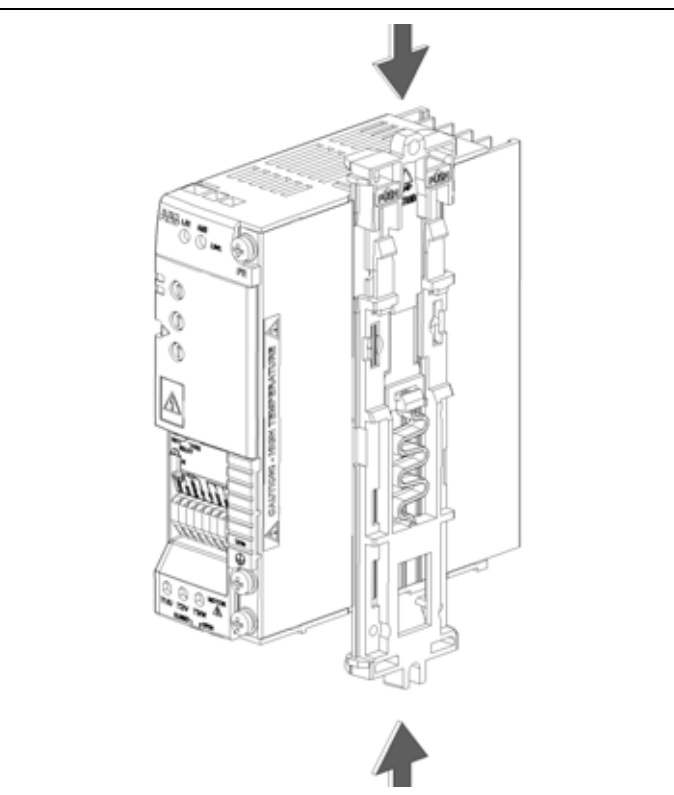
Aufstecken und Abnehmen des Wandmontageclips

Der ACS55 kann entweder mit der Längs- oder der Schmalseite an der Wand montiert werden. Den Montageclip auf der gewünschten Seite montieren. Siehe die folgenden Anweisungen für die Baugrößen A und B. Den Montageclip bei den Baugrößen C und D zum abnehmen nach unten ziehen und zum Befestigen nach oben schieben.

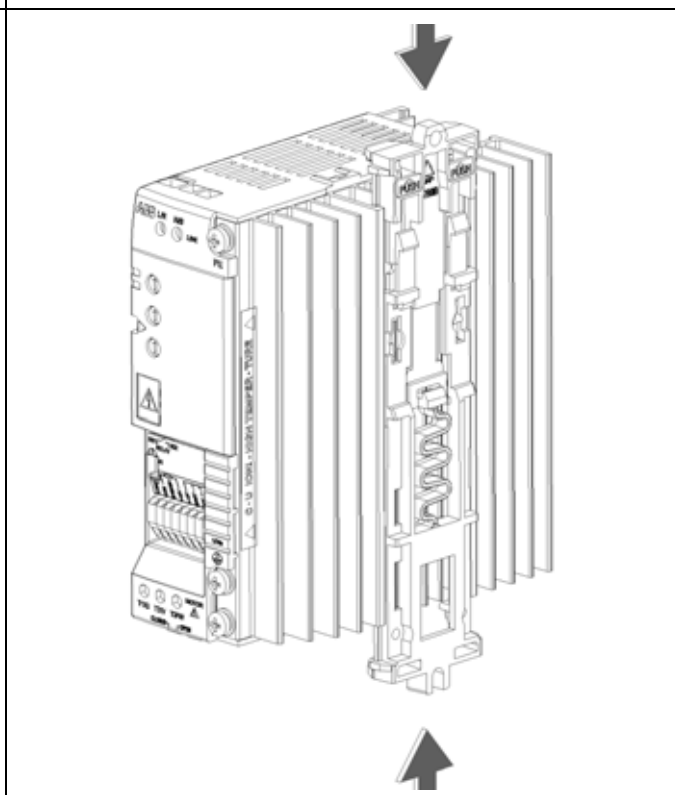
Abnehmen des Montageclips, Baugrößen A und B: Durch Drücken der zwei Plastikhalter den oberen und unteren Teil des Clips voneinander trennen.



Aufstecken des Montageclips, Baugröße A: Beide Teile, wie dargestellt, ansetzen und zusammenstecken.



Aufstecken des Montageclips, Baugröße B: Die zwei Teile zwischen die Kührippen schieben und sie zusammenstecken.



DIP-Schalter

Mit den DIP-Schaltern kann der ACS55 an den Motor und die Applikation angepasst werden.



Warnung! Der DIP-Schalter steht unter gefährlicher Spannung (200 V). Die Spannungsversorgung abschalten und 5 Minuten warten, bevor die Schalterstellung geändert wird. Den Schutzdeckel geschlossen lassen, wenn der ACS55 an das Netz angeschlossen ist.

Konfiguration

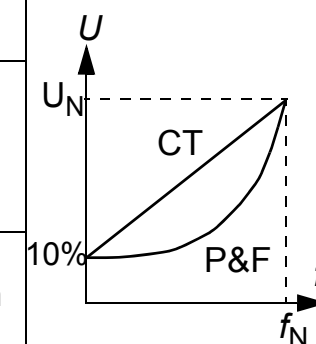
- Den Frontdeckel mit der Klinge eines Schraubendrehers öffnen und den DIP-Schalter einstellen.
- Den jeweiligen Schalter mit der Spitze eines Schraubendrehers nach links oder rechts drücken. Standardmäßig sind alle Schalter in der linken Position.
- Vordere Abdeckung wieder schließen.

Basis-Information

DIP-Schalter	#	Name und Funktion	Standard-Einstellungen	Alternative Einstellungen
	1	NOM FREQ HZ: Motornennfrequenz	50 Hz	60 Hz
	2	SILENT: Motorgeräuschpegel (PWM-Schaltfrequenz)	OFF - Normal (5 kHz)	ON - Leise (16 kHz)
	3	LOAD: Lastmoment-Typ (U/f-Kurve)	P&F - Pumpe/Lüfter	CT - Konstantmoment
	4	JOG HZ: Konstantfrequenz für den Tippbetrieb (Jogging)	5 Hz	10 Hz
	5	RELAY: Betriebsfunktion des Relaisausgangs	FLT - Störung	RUN - Motor läuft
	6	AI OFFSET: Minimumwert für den Analogeingang	OFF - 0 mA (0 V)	ON - 4 mA (2 V)
	7	AUTORESET Automatische Quittierung von Störungen	OFF - Keine automatische Quittierung	ON - automatische Quittierung aktiviert
	8	HI FREQ: Hochfrequenzmodus	OFF - Standard	ON - Hohe Frequenz aktiviert

Zusätzliche Informationen

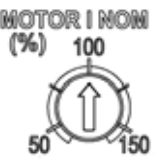

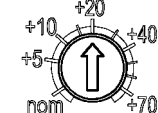
Nr.	Name	Information
1	NOM FREQ HZ	Einstellung der Motornennfrequenz (siehe Motortypenschild).
2	SILENT	Einstellung der Schaltfrequenz des ACS55. Hinweis: Bei höheren Schaltfrequenzen sind Störabstrahlungen stärker, und es müssen die kürzeren zulässigen Motorkabellängen benutzt werden, damit die europäischen EMV-Vorschriften eingehalten werden. Siehe Technische Daten auf Seite 62. Hinweis: Die Schaltfrequenz wird an die Temperatur des ACS55 angepasst.
3	LOAD	Optimiert die Ausgangsspannung und Frequenzcharakteristik entsprechend der angetriebenen Last. Zur Auswahl stehen P&F für ein quadratisches Lastmoment (z.B. Pumpen und Lüfter) und CT für Lasten mit Konstantmoment (z.B. Aufzüge). Der ACS55 erhöht automatisch die Startspannung um 10%, um Motorverluste auszugleichen und das Anlaufmoment zu erhöhen.
4	JOG HZ:	Einstellung der Joggingfrequenz. Aktiviert die Jogging-Funktion durch ein 12...24 VDC Eingangssignal an Digitaleingang 3 ("JOG"). (Der Frequenzumrichter beschleunigt oder verzögert auf die Jogging-Frequenz und hält den Wert, bis der Eingang wieder abgeschaltet wird.)
5	RELAY	Einstellung des Antriebsstatus, der vom Relaisausgang (Schließer) angezeigt wird. FLT = Störung. Der Kontakt ist bei Störung oder abgeschalteter Spannungsversorgung geöffnet. RUN = Läuft. Der Kontakt ist beim Betrieb geschlossen.
6	AI OFFSET	Aktiviert eine Living-Zero Überwachung für den Analogeingang. 4 mA (2 V) = der ACS55 schaltet mit einer Störung ab, wenn der Wert unter diesen Grenzwert fällt. Informationen zur Skalierung des Analogeingangs enthält Abschnitt Drehzahlregelung auf Seite 60.
7	AUTO- RESET	Aktiviert die automatische Quittierung für folgende Störungen: Unterspannung, Überspannung, Analogeingangssignal fehlt. ON = der ACS55 versucht eine automatische Quittierung drei Sekunden nach einer Störabschaltung. Maximal sind zehn Quittierungen innerhalb von drei Minuten möglich. Danach stoppt der ACS55 und versucht keine neue Quittierung. Siehe auch Statusanzeigen und Störcodeanzeigen auf Seite 61. Warnung! Wenn das Startsignal aktiv ist, wird der Motor nach einer Quittierung wieder gestartet. Es muss sichergestellt sein, dass dadurch keine Gefährdung entsteht.
8	HI FREQ	Einstellung der maximalen Ausgangsfrequenz. OFF: Max. Frequenz = Wert, der durch den Schalter NOM FREQ HZ eingestellt ist. ON: Max. Frequenz = Einstellwert des Schalters NOM FREQ HZ + dem HI FREQ-Potentiometerwert. Siehe Regelungspotentiometer auf Seite 56.



Weitere Informationen siehe *DriveConfig User's Guide* [3AFE68910897 (Englisch)].

Regelungspotentiometer

Die Regelungspotentiometer können mit einem Schraubendreher eingestellt werden. Standardmäßig sind alle Potentiometer auf die mittlere Position des Einstellbereichs eingestellt.

	MOTOR I NOM	<p>Berechnen Sie den Wert von MOTOR I NOM mit der Gleichung unten oder nehmen Sie den Wert aus der MOTOR I NOM - Auswahltabelle. Der ACS55 berechnet die Temperatur des Motors auf Basis des gemessenen Ausgangsstroms und des eingestellten Motornennstroms. Der Frequenzumrichter schaltet ab, wenn der Motor nach der Temperaturberechnung zu heiß wird. Hinweis: Längere Motorkabel verursachen größere kapazitive Ströme, deshalb kann es erforderlich sein, die Einstellung von MOTOR I NOM zu erhöhen.</p> $\text{MOTOR I NOM (\%)} = \frac{\text{Motornennstrom [A]}}{\text{ACS55-Nennstrom [A]}} \cdot 100$
	ACC/DEC	<p>Einstellung der Beschleunigungs- und Verzögerungszeit in Sekunden von der Minimal- auf die Maximalfrequenz und umgekehrt. Je länger die ACC/DEC-Zeit eingestellt ist, desto langsamer folgt der ACS55 dem Sollwert.</p>
	HI FREQ	<p>Begrenzung der Ausgangsfrequenz auf einen bestimmten Wert zwischen der Nennfrequenz und Nennfrequenz + 70 Hz. Zur Verwendung dieses Potentiometers muss der Hochfrequenz-Modus mit dem Schalter HI FREQ DIP eingestellt werden. Siehe DIP-Schalter auf Seite 54.</p>

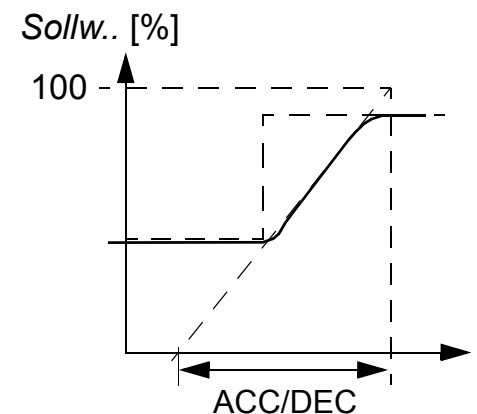
MOTOR I NOM - Auswahltabelle
Motornennstrom [A]

ACS55-01x-

-01A4-x	0,7	0,8	1,0	1,2	1,4	1,6	1,8	2,0	2,1
-02A2-x	1,1	1,3	1,5	1,8	2,2	2,4	2,6	2,8	3,3
-04A3-x	2,2	2,6	3,0	3,5	4,3	4,7	5,2	5,6	6,5
-07A6-x	3,8	4,6	5,3	6,1	7,6	8,4	9,3	10,2	11,4
-09A8-x	4,9	5,9	6,9	7,8	9,8	10,8	12,0	13,3	14,7

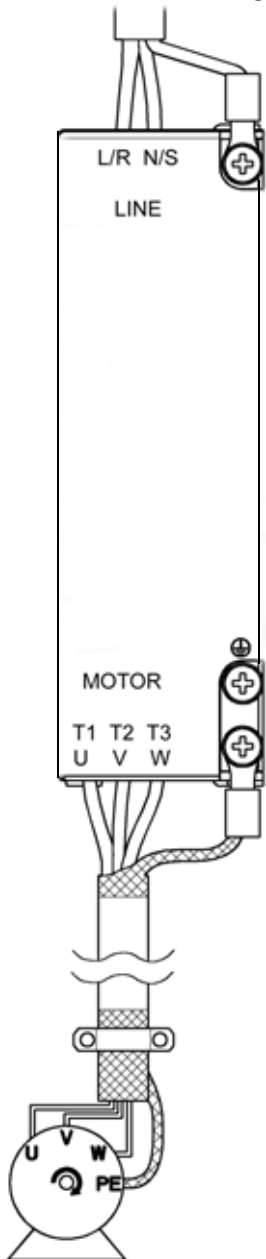
MOTOR I NOM 50 60 70 80 90 **100** 110 120 130 140 150%

ACC/DEC - Zeit




Netzanschluss und Motoranschluss

1-phasige
Netzspannung



⚠️ Warnung! Vor der Installation muss sichergestellt sein, dass die Netzspannung abgeschaltet ist.

Hinweis: Sicherstellen, dass die Netzspannung korrekt ist! Durch den Anschluss von 230 VAC an einen ACS55 für Nennspannung 115 VAC wird der Frequenzumrichter beschädigt!

Anschluss-klemme	Beschreibung	Leitergröße	Anzugs-moment
L/R, N/S	1~ Eingangsspannung	Vierleiterkabel, max. 2,5 mm ² (Baugrößen A und B) oder max. 4 mm ² (Baugrößen C und D)	0,5 N·m
T1/U, T2/V, T3/W	Motoranschluss (Ausgang)		
PE 	Schutzerde Motorkabel-Schutzleiter und Schirm.	Mehradrige Leiter (Litzen) verwenden. Der Querschnitt der Schutzleiter darf nicht kleiner als der Querschnitt der Leistungskabel sein.	1 N·m

Warnung! Wenn der Kühlkörper nicht ordnungsgemäß geerdet ist, können Sie bei Berührung einen elektrischen Schlag erhalten.

Hinweis: Es dürfen nur die mitgelieferten M4x8 Kombischrauben verwendet werden. Die maximal zulässige Einschraubtiefe der Erdungsschrauben beträgt **6 mm**.

Die örtlich vorgeschriebenen Kabelquerschnitte müssen eingehalten werden. Verwenden Sie Leistungskabel, die für 60°C (140°F) ausgelegt sind, oder Kabel, die für 75°C (167°F) ausgelegt sind, wenn die Umgebungstemperatur höher ist als 30°C (86°F). Siehe auch [Zusätzliche Anweisungen für Verkabelung und EMV](#) auf Seite 59.

Der Erdschluss-Strom des ACS55 kann 3,5 mA AC / 10 mA DC übersteigen. Nach der Norm EN50178, darf der ACS55 nur in ortsfesten Installationen eingesetzt werden.

Eingangssicherung

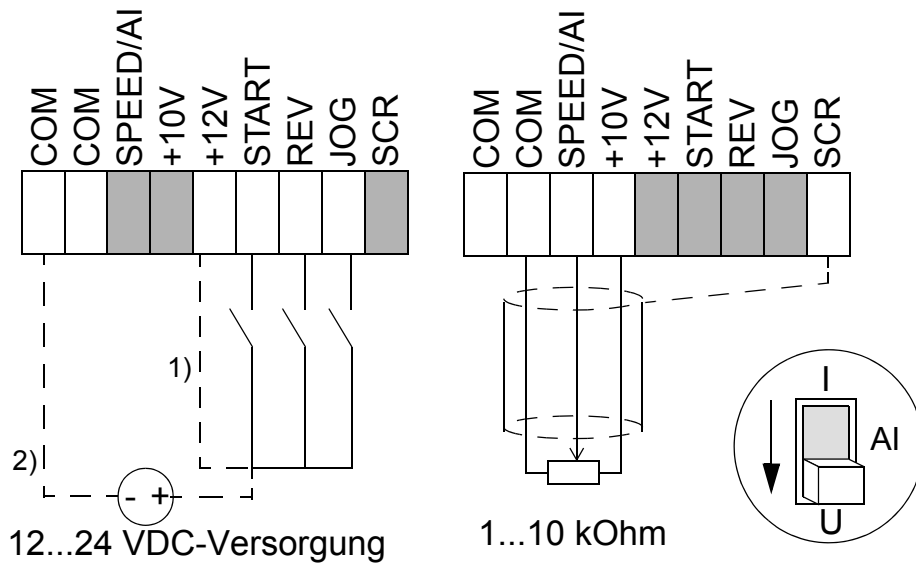
Empfohlene Sicherungstypen siehe [Technische Daten](#) auf Seite 62.

Motor

Der Motor muss ein 3-phasiger Asynchronmotor mit einer Nennspannung U_N von 200 bis 240 V und einer Nennfrequenz f_N von 50 oder 60 Hz sein. Der Motornennstrom muss kleiner oder gleich dem Nennausgangsstrom (I_2) des Frequenzumrichters sein. Bei Phasenanschluss U-U, V-V und W-W ist die Drehrichtung vorwärts gewählt und die Motorwelle dreht im Uhrzeigersinn, von der A-Seite (freies Wellenende) aus gesehen.

Anschluss der Steuerkabel

Für die Digitaleingänge kann die interne (1) oder eine externe (2) Spannungsversorgung benutzt werden. Die Steuerspannung des Analogeingangs beträgt standardmäßig 0...10 VDC. (Der AI-Schalter (Jumper) muss in Position ("U") gestellt sein).

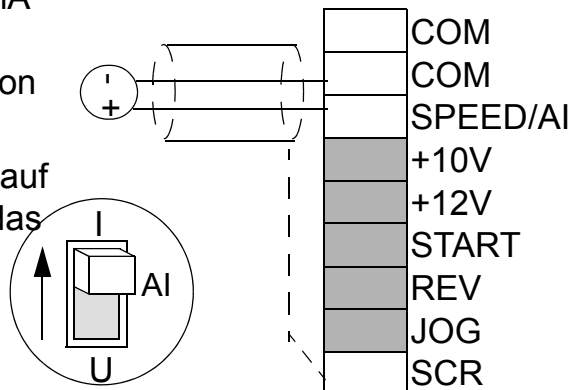


Verwendung des 0/4...20 mA

Stromsignals:

- Den AI-Schalter auf Position Strom ("I") stellen.

- Den Schalter AI OFFSET auf Position ON stellen, wenn das Stromsignal 4...20 mA benutzt werden soll.



Steueranschlüsse

- Leitergröße: Litzen 0,25...1,5 mm² (AWG 23 bis AWG 16)
- Anzugsmoment: 0,25 N·m.

#	Name	Beschreibung
1	COM	Masse für Digital- oder Analogeingänge ¹⁾
2	COM	Masse für Digital- oder Analogeingang ¹⁾
3	AI	Analogeingang Drehzahl- (Frequenz-) Sollwert. 0/2...10 VDC (R _i =190 kOhm), oder 0/4...20 mA (R _i =100 Ohm). Auflösung 0,1%, Genauigkeit ±1%.
4	+10V	Referenzspannung für Analogeingang Genauigkeit +/-2%. Max. 10 mA.
5	+12V	Hilfsspannung für Digitaleingänge. Max. 30 mA.
6	START	Digitaleingang 1: Start (Reset des Frequenzumrichters nach einer Störabschaltung) ²⁾
7	REV	Digitaleingang 2: Drehrichtungsumkehr ²⁾
8	JOG	Digitaleingang 3: Aktivierung der JOG-Drehzahl ²⁾
9	SCR	Masse für Signalkabelschirm. Intern mit der Gehäusemasse verbunden.
Relaisausgang		
1	RO1	Störung: Relais öffnet. 12 V...250 VAC / 30 VDC 10 mA...2 A
2	RO2	

1) Intern über einen 1 MOhm-Widerstand mit dem Gehäuse verbunden.

2) Die Impedanz des Digitaleingangs beträgt 1,5 kOhm.

Zusätzliche Anweisungen für Verkabelung und EMV

Diese Anweisungen müssen für einen störungsfreien Betrieb und die Einhaltung der europäischen EMV-Richtlinie befolgt werden.

Motorkabel

Als Motorkabel muss ein symmetrisches Dreileiterkabel mit einem konzentrischen PE-Leiter oder ein Vierleiterkabel mit einem konzentrischen Schirm verwendet werden. Es wird ein Kabel mit Metallgeflecht-Schirm empfohlen, z.B. der Typ MCCMK (von NK Cables).

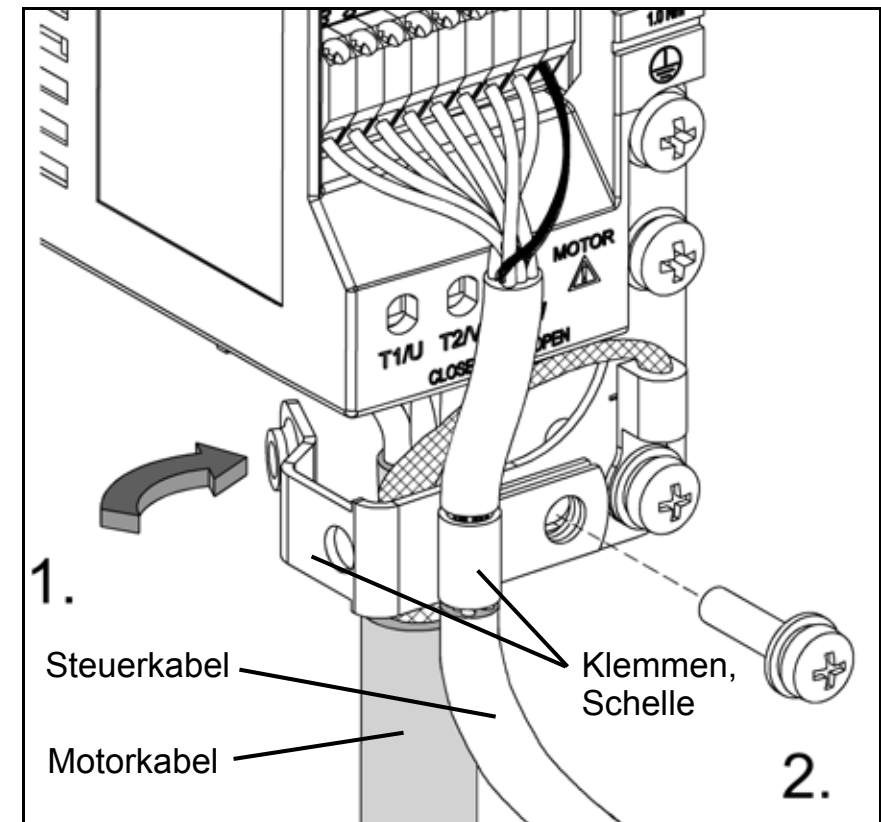
- Das Kabelschirmgeflecht zu einem Bündel verdrillen und an die Erdungsklemme \perp anschließen. Das verdrillte Schirmbündel muss so kurz wie möglich sein.
- Den Kabelschirm wie im Bild gezeigt anklemmen, wenn interne oder externe EMV-Filter verwendet werden.
- Motorseitig müssen die Motorkabel-Schirme 360 Grad mit einer EMV-Kabelverschraubung geerdet werden oder die Schirmleiter müssen zu einem Bündel verdrillt werden, nicht länger als das Fünffache seiner Breite, und an die PE-Klemme des Motors angeschlossen werden.

Steuerkabel

Als Steuerkabel müssen mehradrige Kabel mit geflochtenem Kupfer-Kabelschirm verwendet werden. Verwenden Sie ein doppelt geschirmtes verdrilltes Leiterpaar für die Analogsignale.

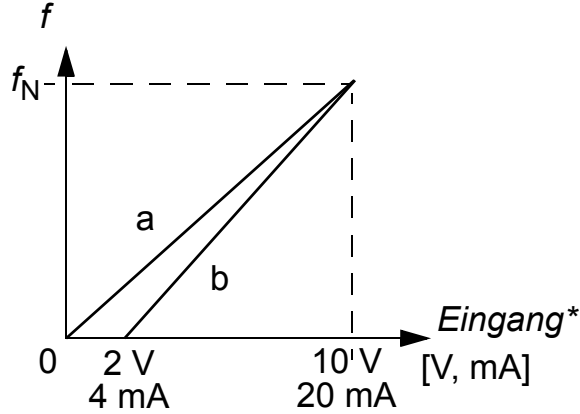
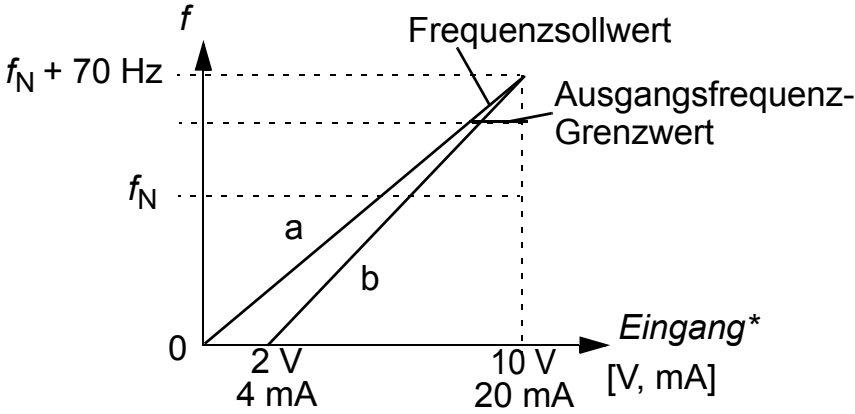
- Den Schirm zu einem Bündel verdrillen und an Klemme SCR anschließen. Das verdrillte Schirmbündel muss so kurz wie möglich sein.
- Das Steuerkabel wie in der Abbildung gezeigt anklemmen (nur EMV-Einheiten).
- Motorkabel getrennt von Steuerkabeln und Einspeisekabeln verlegen, um elektromagnetische Störungen zu vermeiden (Abstand > 20 cm).

Hinweis: Für 24 V DC- und 115 / 230 V AC-Signale darf auf keinen Fall das selbe Kabel verwendet werden.



Drehzahlregelung

Über den Analogeingang wird der Drehzahl- (Frequenz-) Sollwert für den ACS55 vorgegeben. Das Verhältnis von Analogeingang und Sollwert ist von den DIP-Schalterstellungen, wie unten gezeigt, abhängig. Die Ausgangsfrequenz folgt den Sollwertänderungen entsprechend der Einstellung des ACC/DEC-Potentiometers.

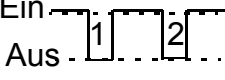
Hochfrequenzmodus OFF (Standard)	Hochfrequenzmodus ON
 <p>DIP-Schalterstellungen: HI FREQ = OFF AI OFFSET = OFF (Kurve a) oder ON** (Kurve b) MOTOR NOM FREQ = 50 oder 60 Hz</p> <p>Die Ausgangsfrequenz wird durch die eingestellte Nennfrequenz des Motors begrenzt.</p>	 <p>DIP-Schalterstellungen: HI FREQ = ON AI OFFSET = OFF (Kurve a) oder ON** (Kurve b) MOTOR NOM FREQ = 50 oder 60 Hz</p> <p>Die Ist-Ausgangsfrequenz wird auf einen Wert zwischen f_N und $f_N + 70$ Hz durch den HI FREQ Potentiometer begrenzt. Der Potentiometer beeinflusst nicht die Skalierung des Analogeingangs.</p>
<p>* Mit dem AI-Schalter muss das Spannungs- oder Stromsignal eingestellt werden. Siehe Seite 58.</p> <p>** Zum Schutz des Antriebs bei Ausfall des Analogeingangssignals schaltet der Frequenzumrichter ab, wenn der Signalwert unter 2 V (4 mA) fällt.</p>	

Statusanzeigen und Störcodeanzeigen

Der ACS55 hat zwei Status-LEDs, die durch die Frontabdeckung sichtbar sind.

Wenn der Frequenzumrichter ein Problem erkennt, blinkt die rote LED. Nach Behebung der Ursache des Problems ein Reset durch Abschalten des Startsignal durchführen. Wenn das Startsignal bereits abgeschaltet ist, dieses wieder an- und nochmal abschalten.

Die folgende Tabelle enthält die Störcores (= Blinkfrequenz der LED).

Grüne LED	Rote LED	Beschreibung
Ein	Aus	Der ACS55 arbeitet normal.
Ein	Blinkt 	Die Schutzfunktion ist aktiviert worden. Der Störcode wird durch die Blinkfrequenz angezeigt.
Blinkt	Blinkt	Der ACS55 führt innerhalb 3 Sekunden automatisch ein Reset aus. (*) Warnung! Der Motor startet, wenn das Startsignal aktiviert ist.

#	Mögliche Ursachen und was zu tun ist	#	Mögliche Ursachen und was zu tun ist
1	DC-Überspannung (*). 1) Netzspannung ist zu hoch: Netzspannung prüfen. 2) Die Verzögerungsrampenzeit ist für das Lastmoment zu kurz: ACC/DEC-Zeit mit dem Potentiometer verlängern.	7	Motor überlastet (I^2t Überlast): 1) Last prüfen und sicherstellen, dass die Motorauslegung für den ACS55 geeignet ist. 2) Prüfen, ob die Einstellung des Potentiometers MOTOR I NOM korrekt ist.
2	DC-Unterspannung (*). Netzspannung ist zu niedrig: Netzspannung prüfen.	8	Der ACS55 ist überlastet oder die Innentemperatur ist zu hoch: 1) Last ist zu groß oder 2) Kühlung des ACS55 nicht ausreichend.
3	Kurzschluss am Ausgang: Spannungsversorgung abschalten und Motorwicklungen und Motorkabel prüfen.	9	Andere Störung. Interne Störung. Spannungsversorgung aus- und wieder einschalten. Wenn das Problem bestehen bleibt, Gerät austauschen.
4	Überstrom am Ausgang. 1) Beschleunigungszeit ist für das Lastmoment zu kurz: ACC/DEC-Zeit mit dem Potentiometer verlängern. 2) Motor- und Umrichtertyp harmonisieren nicht: Motor prüfen.	10	Parameterierungsfehler. Hinweis: Beide LEDs blinken. DIP-Schalterstellung wurde nach der Parametrierung mit DriveConfig verändert. Wieder auf die Standardposition stellen.
5	Reserviert	11	Frequenzumrichter mit Batteriespannung versorgt. Störmeldung der Statusanzeige, da der Antrieb nicht gestartet werden kann. Für den Start ist der Netzanschluss erforderlich. Wird jedoch der ACS55 über den DriveConfig-Kit mit Spannung versorgt, ist die Verbindung zwischen DriveConfig und dem ACS55 OK.
6	Der Wert des Analogeingangs ist kleiner als 4 mA/2 V. (*) Hinweis: Diese Überwachung ist aktiv, wenn AI OFFSET auf ON eingestellt ist.	12	Der ACS55 wurde über DriveConfig (oder eine andere Applikation über serielle Kommunikation) gesteuert und die Kommunikation ist unterbrochen worden. Die Kommunikation/Verbindung prüfen.

(*) Automatischer Reset, wenn AUTORESET auf ON eingestellt ist. Siehe [DIP-Schalter](#) auf Seite 54.

Technische Daten

		230 V					115 V	
Eingebaute EMV, ACS55-01E-		01A4-2	02A2-2	04A3-2	07A6-2	09A8-2	01A4-1	02A2-1
Ohne EMV, ACS55-01N-		01A4-2	02A2-2	04A3-2	07A6-2	09A8-2	01A4-1	02A2-1
Motor-Dauerausgangsleistung	kW	0,18	0,37	0,75	1,5	2,2	0,18	0,37
	hp	1/4	1/2	1	2	3	1/4	1/2
Baugröße (ohne EMV)		A	A	B	C	C	A	A
Baugröße (mit EMV)		A	A	B	D	D	A	A
Nenndaten								
Eingangsspannung U_1	V	200...240 (+10/-15%)					110...120 (+10/-15%)	
Dauerausgangsstrom I_2	A	1,4	2,2	4,3	7,6	9,8	1,4	2,2
Max. Ausgangsstrom I_{2max}^*	A	2,1	3,3	6,5	11,4	14,7	2,1	3,3
Ausgangsspannung U_2	V	0... U_1 , 3-phasig					0... $2 \times U_1$, 3-phasig	
Eingangsstrom I_1	A	4,4	6,9	10,8	18,2	22,0	6,4	9,5
Schaltfrequenz	kHz	5 (max, 16)						
Schutzgrenzen								
Überstrom (Spitze)	A	4,4	6,9	13,5	23,9	30,9	4,4	6,9
Übertemperatur		95°C / 203°F (Kühlkörper)						
Maximale Kaelgrößen								
Netzanschlussklemmen	mm ²	2,5 (AWG 14)			4 (AWG 12)		2,5 (AWG 14)	
Steueranschlüsse	mm ²	1,5 (AWG 16)						
Verlustleistung	W	21	32	51	74	103	24	35
Größe der Netzsicherungen**								
IEC, Typ IEC269 gG	A	10	16	16	25	32	10	16
UL, Typen CC und T	A	10	15	20	25	30	10	15
Gewicht, eingebaute EMV, ACS55-01E-	kg (lb)	0,65 (1,4)	0,7 (1,5)	0,9 (2)	1,6 (3,5)	1,7 (3,7)	0,65 (1,4)	0,7 (1,5)
Gewicht, ohne EMV, ACS55-01N-	kg (lb)	0,65 (1,4)	0,7 (1,5)	0,9 (2)	1,2 (2,6)	1,3 (2,9)	0,65 (1,4)	0,7 (1,5)

* Zulässig für 1 Minute.

** Empfohlene Werte. Keine superflinken oder Low-peak-Sicherungen verwenden. Die örtlichen Sicherheitsvorschriften befolgen.

Maximale Motorkabellängen

Um die europäische EMV-Richtlinie einzuhalten, dürfen die Motorkabel nicht länger sein, als in der Tabelle unten angegeben. Je kürzer das Motorkabel, desto geringer sind die Störemissionen auf Einspeisenetz und benachbarte Einrichtungen.

Frequenzumrichter-Typ ACS55-01x-	Schaltfrequenz	
	5 kHz	16 kHz ¹⁾
Eingebauter EMV-Filter		
<i>EN61800-3, Erste Umgebung, allgemeine Erhältlichkeit ²⁾</i>		
01A4-2, ..., 04A3-2	10 m	3 m
01A4-1, 02A2-1	10 m	3 m
07A6-2, 09A8-2	10 m	3 m
<i>EN61800-3, Erste Umgebung, eingeschränkte Erhältlichkeit ³⁾</i>		
01A4-2, ..., 04A3-2	10 m	10 m
01A4-1, 02A2-1	10 m	10 m
07A6-2, 09A8-2	20 m	10 m
<i>EN61800-3, Zweite Umgebung ³⁾</i>		
01A4-2, ..., 04A3-2	10 m	10 m
01A4-1, 02A2-1	10 m	10 m
07A6-2, 09A8-2	30 m	10 m

1) Die Schaltfrequenz kann mit dem DIP-Schalter eingestellt werden. Siehe Seite [55](#).

2) Anwendbar nur für leitungsgebundene Emissionen.

3) Anwendbar für leitungsgebundene und abgestrahlte Emissionen.

Schutzfunktionen

Überspannung, Unterspannung, Kurzschluss am Ausgang, Überstrom, Ausfall des Analogeingangssignals, Motorüberlast, Wechselrichter-Überlast.

Erdfreie Verteilernetze

Frequenzumrichter mit eingebautem EMV-Filter dürfen nicht in erdfreien oder hochohmig geerdeten industriellen Verteilernetzen benutzt werden.

Umweltverträglichkeit

Der Frequenzumrichter enthält Rohstoffe, die zur Energieeinsparung und Schonung der Ressourcen recycelt werden sollten. Informationen zur Entsorgung erhalten Sie von den ABB Verkaufs- und Service-Vertretungen.

Haftungsbeschränkung

Der Hersteller ist nicht verantwortlich für:

- Kosten, die durch einen Ausfall verursacht werden, wenn Installation, Inbetriebnahme, Reparatur, Modifikation oder Umgebungsbedingungen des Frequenzumrichters nicht den in der mit dem Gerät gelieferten Dokumentation und anderer relevanter Dokumentation angegebenen Anforderungen entsprechen.
- Schäden, die durch missbräuchliche Verwendung, Fahrlässigkeit oder Zufall entstanden sind.
- Einheiten aus Materialien oder Designs, die vom Kunden verändert, geliefert oder vorgeschrieben wurden.

Der Hersteller, seine Lieferanten oder Auftragnehmer sind in keinem Fall haftbar für konkrete, indirekte, direkte, zufällige oder Folgeschäden, Verluste oder Strafen.

Bei Fragen zum ABB-Frequenzumrichter wenden Sie sich bitte an den zuständige ABB-Vertriebspartner oder Ihre ABB-Vertretung. Die technischen Daten, Informationen und Spezifikationen entsprechen dem zum Zeitpunkt der Drucklegung geltenden Stand. Der Hersteller behält sich das Recht vor, ohne vorherige Ankündigung Änderungen vorzunehmen.

Zulassungen

CE

Der ACS55 erfüllt die Anforderungen der europäischen

- Niederspannungsrichtlinie 73/23/EEC mit Ergänzungen
- EMV-Richtlinie 89/336/EEC mit Ergänzungen.

Die entsprechenden Erklärungen und eine Liste der wichtigsten Normen sind auf Anfrage erhältlich.

Elektromagnetische Verträglichkeit

Der ACS55 erfüllt die folgenden Normen, vorausgesetzt, dass die Installation ordnungsgemäß und entsprechend den Anweisungen in dieser Betriebsanleitung ausgeführt wurde:

Leitungsgebundene Hochfrequenz-emissionen	EN61800-3, Erste Umgebung, allgemeine/ eingeschränkte Erhältlichkeit ¹⁾
Abgestrahlte Hochfrequenz-emissionen	EN61800-3, Erste Umgebung, eingeschränkte Erhältlichkeit
Störfestigkeit	EN61800-3, Zweite Umgebung
Netzoverschwingungen	IEC61000-3-2

1) Die maximal zulässigen Motorkabellängen und die Schaltfrequenz beachten, siehe Seite 63. Siehe auch die Verkabelungsanweisungen auf Seite 59.

Die Netz-/Strom-Oberschwingungen können durch die Installation von externen Eingangsdrosseln reduziert werden.

UL-, cUL- und C-Tick-Kennzeichnung

Siehe Typenschild.

UL, cUL:

Der ACS55 kann mit Sicherungen der Klassen CC oder T in einem Netz eingesetzt werden, das nicht mehr als eff. 65 kA symmetrische Amperes abgibt, Spannung maximal 230 Volt.

C-Tick:

Bezüglich der elektromagnetischen Verträglichkeit siehe die Spezifikation in Abschnitt [CE](#) oben.

Übereinstimmung mit der europäischen Maschinen-Richtlinie

Der Frequenzumrichter entspricht den Anforderungen der EU-Maschinenrichtlinie für elektrische Geräte, die zum Einbau in Maschinen vorgesehen sind. Die Einbauerklärung ist von ABB erhältlich.

Produkt-Schutzrechte in den USA

Dieses Produkt ist durch eines oder mehrere der folgenden US-Patente geschützt

4,920,306	5,301,085	5,463,302	5,521,483	5,532,568	5,589,754	5,612,604
5,654,624	5,799,805	5,940,286	5,942,874	5,952,613	6,094,364	6,147,887
6,175,256	6,184,740	6,195,274	6,229,356	6,252,436	6,265,724	6,305,464
6,313,599	6,316,896	6,335,607	6,370,049	6,396,236	6,448,735	6,498,452
6,552,510	6,597,148	6,600,290	6,741,059	6,774,758	6,844,794	6,856,502
6,859,374	6,922,883	6,940,253	6,934,169	6,956,352	6,958,923	6,967,453
6,972,976	6,977,449	6,984,958	6,985,371	6,992,908	6,999,329	7,023,160
7,034,510	7,036,223	7,045,987	7,057,908	7,059,390	7,067,997	7,082,374
7,084,604	7,098,623	7,102,325	7,109,780	7,164,562	7,176,779	7,190,599
7,215,099	7,221,152	7,227,325	7,245,197	7,250,739	7,262,577	7,271,505
7,274,573	7,279,802	7,280,938	7,330,095	7,349,814	7,352,220	7,365,622
7,372,696	7,388,765	7,408,791	7,417,408	7,446,268	7,456,615	7,508,688
7,515,447	7,560,894	D503,931	D510,319	D510,320	D511,137	D511,150
D512,026	D512,696	D521,466	D541,743S	D541,744S	D541,745S	
D548,182S	D548,183S	D573,090S				

Weitere Patente sind angemeldet.

Zubehör

Eingangsdrosseln: CHK-A1, CHK-B1, CHK-C1, CHK-D1

Ausgangsdrosseln: ACS-CHK-B3, ACS-CHK-C3

Potentiometereinheit: ACS55-POT

DriveConfig-Kit, weitere Informationen erhalten Sie auf Anfrage von Ihrer ABB-Vertretung. Siehe auch *DriveConfig User's Guide* [3AFE68910897 (Englisch)].

Guía del usuario

para convertidores de CA
de tipo ACS55
de 0,18 a 2,2 kW



Español

ES

Consultas sobre productos y servicios

Puede dirigir cualquier consulta acerca del producto a su representante local de ABB. Especifique la designación de tipo y el número de serie de la unidad. Puede encontrar una lista de contactos de ventas, asistencia y servicio de ABB entrando en www.abb.com/drives y seleccionando *Sales, Support and Service network*.

Formación sobre productos

Para obtener información relativa a la formación sobre productos ABB, entre en www.abb.com/drives y seleccione *Training courses*.

Comentarios acerca de los manuales de convertidores ABB

Sus comentarios sobre nuestros manuales siempre son bienvenidos. Entre en www.abb.com/drives y seleccione *Document Library – Manuals feedback form (LV AC drives)*.

3AFE68929300 Rev C
ES
Efectivo: 12/04/2010

ASEA BROWN BOVERI S.A.
Polígono Industrial S.O.
08192 Sant Quirze del Vallès
Barcelona
España
Teléfono 93 728 8700
Fax 93 728 8743
Internet www.abb.com/es

Instrucciones de seguridad

Lea atentamente las siguientes instrucciones antes de continuar con la instalación.

¡Atención! ¡Tensión peligrosa!

El ACS55 sólo deberá ser instalado por un electricista cualificado.

No intente trabajar con el convertidor, el cable de motor o el motor con la alimentación principal conectada. Tras desconectar la alimentación de entrada, espere siempre 5 minutos como mínimo hasta que se descarguen los condensadores del circuito intermedio antes de trabajar en el convertidor de frecuencia.

¡Atención! Si el disipador no está correctamente conectado a tierra, puede electrocutarse al tocarlo.

Nota: Los conmutadores DIP se encuentran bajo una tensión peligrosa.

Nota: Incluso con el motor parado, existen tensiones peligrosas en los terminales del circuito de potencia L/R, N/S, T1/U, T2/V y T3/W.

Nota: Incluso cuando la unidad está apagada, podrían existir tensiones externas peligrosas conectadas desde el exterior a los terminales de salida de relé.

¡Atención! ¡Superficies calientes!

Durante el funcionamiento, el elemento de refrigeración podría alcanzar una temperatura elevada (>80 °C). Observe las instrucciones de instalación.

Instrucciones de seguridad generales

El ACS55 arranca el motor de forma automática tras una interrupción de la alimentación si la señal de marcha externa está activada.

En ningún caso debe intentar reparar una unidad averiada. El ACH550 no puede repararse en el emplazamiento. Póngase en contacto con el proveedor para la sustitución de la unidad.

Instale el ACS55 en un espacio cerrado con llave o que pueda abrirse mediante una herramienta.

No conecte la alimentación de entrada a la unidad más de una vez cada tres minutos.

La alteración de los conmutadores de DIP afectará al funcionamiento y al rendimiento del ACS55. Asegúrese de que los cambios no supongan un riesgo para el personal o la propiedad.

Acerca de este manual

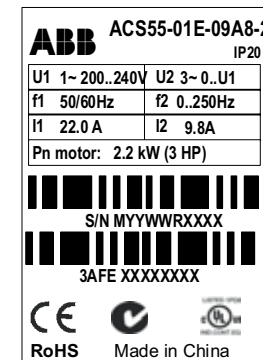
Esta guía proporciona la información necesaria para la instalación y puesta en marcha de la unidad.

Comprobación a la entrega

La entrega incluye:

1. ACS55
2. Guía del usuario
3. Dos abrazaderas para el cable de control (sólo unidades EMC).

Compruebe la placa de características y asegúrese de que el dispositivo entregado corresponde al pedido.



ACS55-01 - -

Filtro EMC: E = Integrado, N = No

Intensidad de salida continua máx. (I₂):

01A4 = 1,4 A, 02A2 = 2,2 A, 04A3 = 4,3 A,

07A6 = 7,6 A, 09A8 = 9,8 A

Tensión de alimentación (U₁):

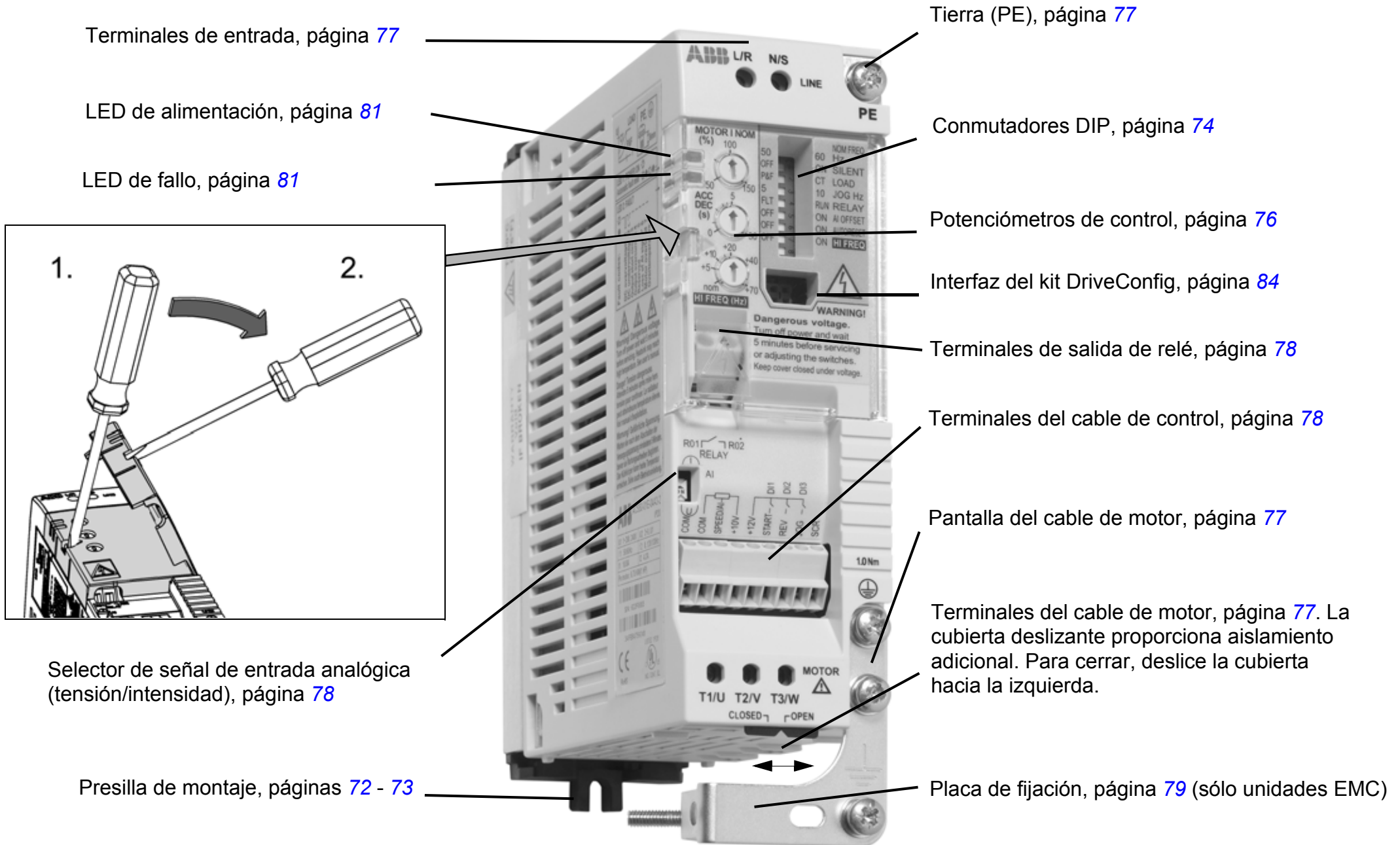
1 = 110...120 V CA +10%/-15%

2 = 200...240 V CA +10%/-15%

El número de serie (S/N) se encuentra en la placa de características. (M = lugar de fabricación, YY = año de fabricación, WW = semana de fabricación, R = número de revisión del producto (A, B, C...), XXXX = número entero que se inicia cada semana a partir de 0001)

Vista general de la unidad

El convertidor de frecuencia ACS55 controla la velocidad de un motor trifásico de inducción de CA.



Pasos para la instalación y la puesta en marcha

Lea las [Instrucciones de seguridad](#) en la página [67](#) antes de continuar.

	Acción	Pág.
1	Compruebe la entrega.	67
2	Verifique que el entorno de instalación sea adecuado para el ACS55.	70
3	Monte la unidad.	72 - 73
4	Compruebe la idoneidad de los ajustes estándar: la frecuencia nominal del motor es 50 Hz, la carga es una bomba o un ventilador y la frecuencia máxima de salida es 50 Hz. Si los ajustes estándar no son los adecuados, ajuste los conmutadores DIP.	74
5	Asegúrese de que el potenciómetro MOTOR I NOM concuerda con la intensidad nominal del motor. El potenciómetro se encarga de definir la operación de la función de protección térmica del motor.	76
6	Ajuste el potenciómetro del tiempo de aceleración/deceleración ACC/DEC si es necesario.	76
7	Conecte el cable de alimentación y los cables de motor.	77
8	Conecte los hilos de control.	78
9	Encienda la alimentación. El LED verde se ilumina. Nota: El motor gira si la señal de marcha está activa.	
10	Ajuste la referencia de velocidad y active la señal de marcha. El motor acelera hasta la referencia de velocidad facilitada.	80

Comprobación del aislamiento del conjunto

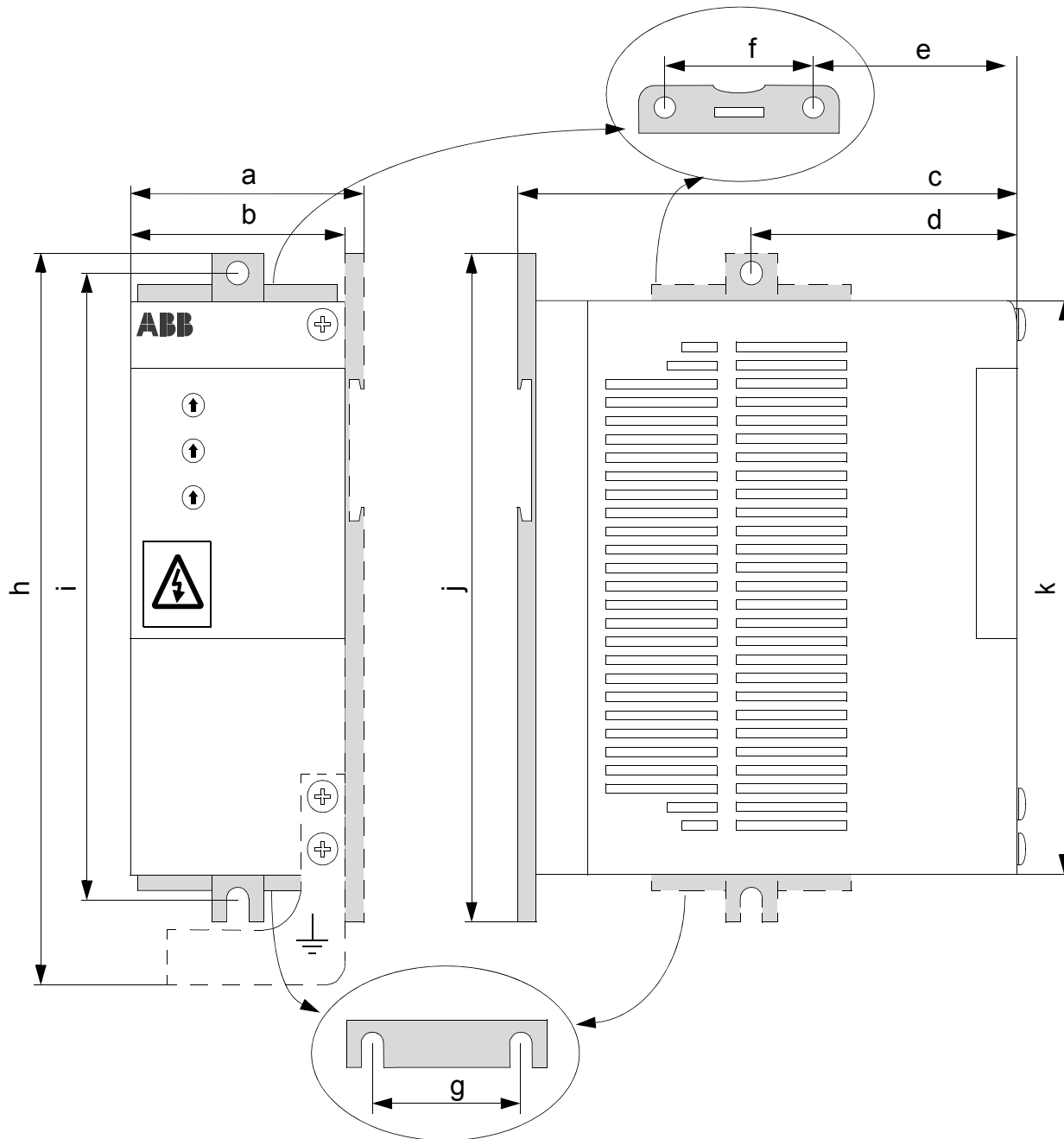
No realice ninguna prueba de tolerancia a tensión ni de resistencia al aislamiento (por ejemplo, alto potencial o megaóhmetro) en ninguna parte del convertidor de frecuencia, dado que tal prueba puede causar daños al convertidor. El aislamiento de cada convertidor de frecuencia se ha comprobado entre el circuito de potencia y el chasis en fábrica. Además, existen circuitos limitadores de tensión en el interior del convertidor que cortan automáticamente la tensión de prueba.

Límites ambientales

	Lugar de instalación	Almacenamiento y transporte en un embalaje protector	
Temperatura del aire	-20 °C (-4 °F), no se permite escarcha ¹⁾ +40 °C (104 °F), con una carga nominal +50 °C (122 °F), si la intensidad de salida continua es como máximo el 85% de la intensidad de salida nominal I_2 +55 °C (131 °F), si la intensidad de salida continua es como máximo el 75% de la intensidad de salida nominal I_2	-40 °C (-40 °F) a +70 °C (158 °F)	
Altitud	0...2000 m (0...6600 ft). En altitudes entre 1000...2000 m (3300...6600 ft), P_N e I_2 se reducen un 1% cada 100 m	Sin limitación	
Humedad relativa	Inferior al 95%, sin condensación	Inferior al 95%, sin condensación	
Niveles de contaminación (IEC 60721-3-3)	<ul style="list-style-type: none"> No se permite polvo conductor El aire debe estar limpio y libre de materiales corrosivos y de polvo conductor Gases químicos: Clase 3C2 Partículas sólidas: Clase 3S2 	Almacenamiento	Transporte
		<ul style="list-style-type: none"> No se permite polvo conductor Gases químicos: Clase 1C2 Partículas sólidas: Clase 1S2 	<ul style="list-style-type: none"> No se permite polvo conductor Gases químicos: Clase 2C2 Partículas sólidas: Clase 2S2
Vibración sinusoidal (IEC 60068-2-6)	Intervalo de frecuencias: 5...150 Hz Aceleración máxima constante: 1 g	Conforme a la especificación de ISTA 1A	
Golpes (IEC 60068-2-29)	No se permiten	Máx. 100 m/s ² (330 ft/s ²), 11 m·s (36 ft·s)	
Caída libre	No se permite	No se permite	

1) Al hacer funcionar el convertidor a temperaturas bajo cero, mantenga conectada la alimentación de entrada. Instale el convertidor de frecuencia dentro de un bastidor. Asegúrese de que el calor generado por el convertidor se disipa adecuadamente.

El grado de protección del ACS55 es IP20.



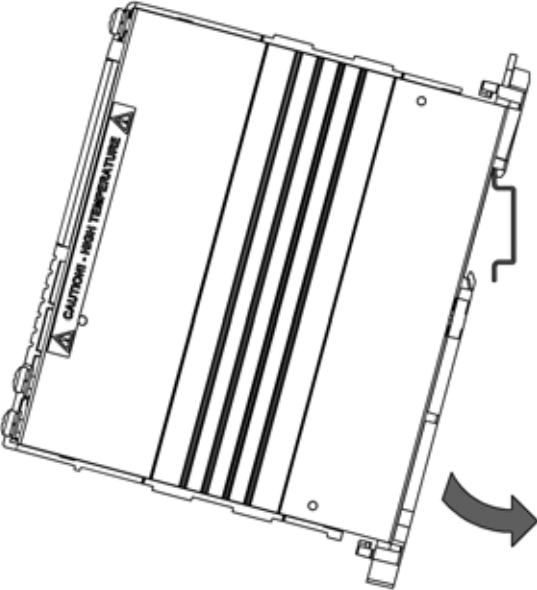
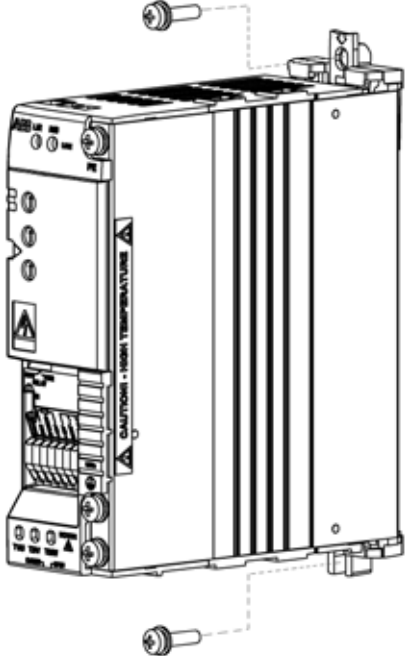
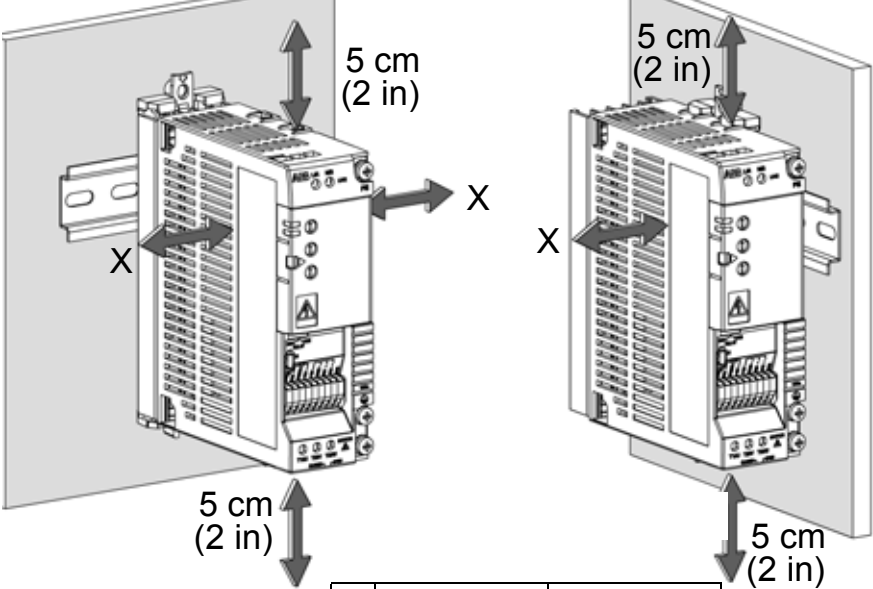
	Bastidor A mm (in)	Bastidor B mm (in)	Bastidor C mm (in)	Bastidor D mm (in)
a	53 (2,09)	72 (2,83)	74 (2,91)	74 (2,91)
b	45 (1,77)	67,5 (2,66)	70 (2,76)	70 (2,76)
c	128 (5,04)	128 (5,04)	159 (6,26)	159 (6,26)
d	67,5 (2,66)	67,5 (2,66)	-	-
e	-	-	77 (3,03)	77 (3,03)
f	-	-	40 (1,57)	40 (1,57)
g	-	-	40 (1,57)	40 (1,57)
h	183 (7,20)	183 (7,20)	-	230 (9,06)
i	156 (6,14)	156 (6,14)	182 (7,17)	214 (8,43)
j	170 (6,69)	170 (6,69)	194 (7,64)	226 (8,90)
k	146,5 (5,77)	146,5 (5,77)	171 (6,73)	203 (7,99)

Montaje

¡Atención! La unidad alcanzará una temperatura elevada durante el funcionamiento normal. Verifique que exista un flujo de aire de refrigeración suficiente en todas las condiciones:

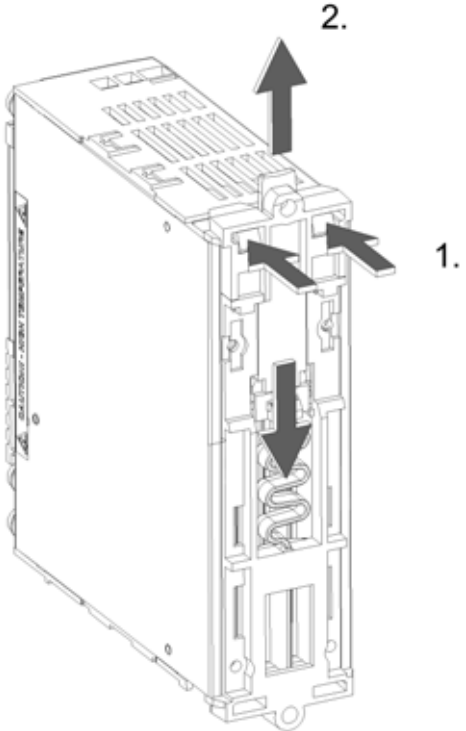
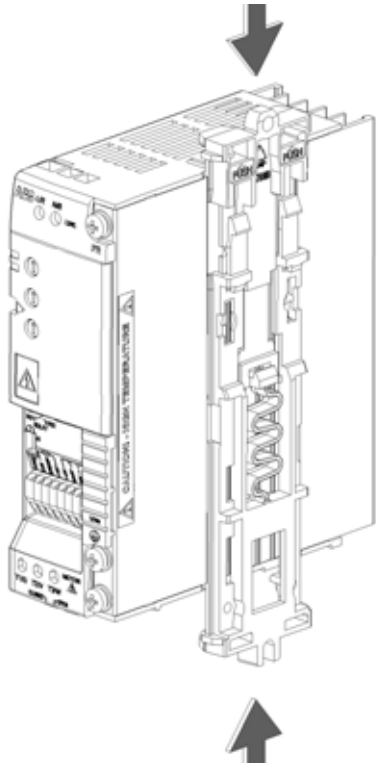
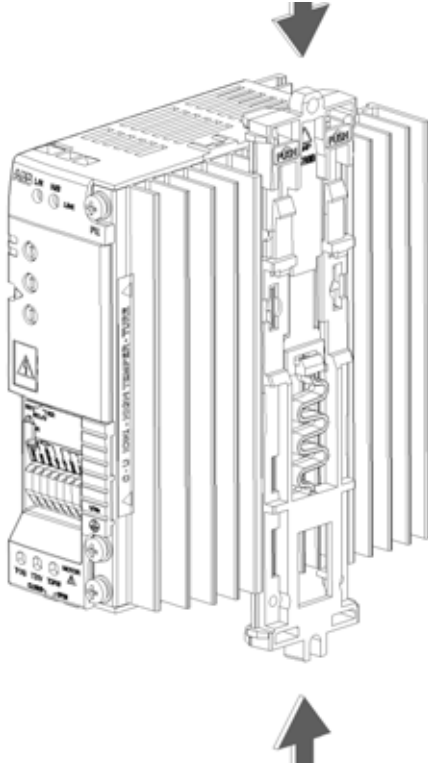
- Instale siempre el ACS55 de modo que las aletas de refrigeración estén en posición vertical.
- Deje siempre un espacio suficiente alrededor de las unidades de bastidor A y B. Las unidades de bastidor C y D están refrigeradas por un ventilador, por lo que pueden instalarse una al lado de la otra sin un espacio adicional entre ellas.

Instale la unidad mediante la presilla de montaje sobre una guía DIN de 35 mm o sobre una pared.

<p>Montaje sobre guía DIN Encaje el ACS55 en la guía con un "clic". Para liberarlo, presione la palanca de la parte superior de la presilla de montaje.</p>	<p>Montaje en pared Instale la unidad sobre la pared mediante la presilla de montaje. Use tornillos M4.</p>	<p>Separaciones mínimas Deje siempre un espacio libre suficiente alrededor de la unidad para garantizar una refrigeración adecuada.</p>						
		 <table border="1" data-bbox="1563 1326 1955 1482"> <thead> <tr> <th></th> <th>Bastidores A y B cm (in)</th> <th>Bastidores C y D cm (in)</th> </tr> </thead> <tbody> <tr> <td>X</td> <td>1,5 (0,6)</td> <td>0 (0)</td> </tr> </tbody> </table>		Bastidores A y B cm (in)	Bastidores C y D cm (in)	X	1,5 (0,6)	0 (0)
	Bastidores A y B cm (in)	Bastidores C y D cm (in)						
X	1,5 (0,6)	0 (0)						

Fijación y extracción de la presilla para el montaje en pared

Se puede montar la unidad tanto con la parte ancha como con la parte estrecha en contacto con la pared. Instale la presilla de montaje sobre el lado que prefiera. Consulte bajo estas líneas las instrucciones para los bastidores A y B. Extraiga la presilla de montaje de los bastidores C y D tirando hacia abajo y fíjela presionando hacia arriba.

<p>Extracción de la presilla de montaje, bastidores A y B: presione los botones de plástico para liberar las partes superior e inferior de la presilla.</p>	<p>Fijación de la presilla de montaje, bastidor A: coloque las dos piezas como se indica en la figura y encájelas a presión.</p>	<p>Fijación de la presilla de montaje, bastidor B: inserte las dos piezas entre las aletas de refrigeración y encájelas a presión.</p>
		

Conmutadores DIP

Los conmutadores DIP se utilizan para adaptar el ACS55 al motor y a la aplicación.

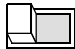

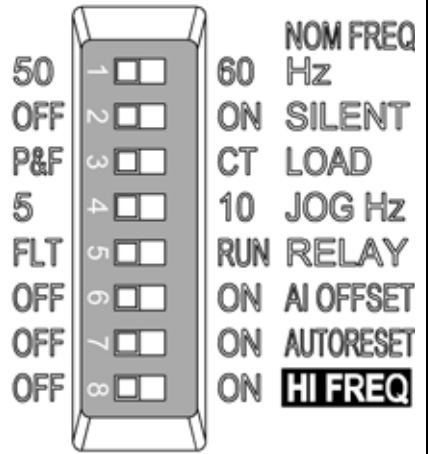


¡Atención! El conmutador DIP está bajo una tensión peligrosa (200 V). Desconecte la alimentación y espere 5 minutos antes de ajustar los conmutadores. Mantenga cerrada la cubierta protectora mientras el ACS55 esté encendido.

Configuración

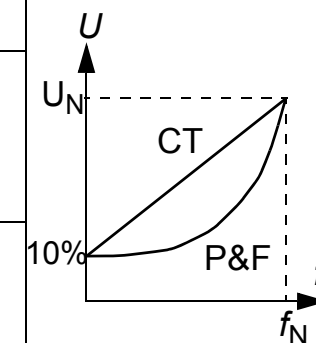
- Abra la cubierta anterior con la punta de un destornillador y ajuste los conmutadores DIP.
- Vuelva a utilizar la punta del destornillador para desplazar el conmutador a la izquierda o a la derecha. La posición por defecto de todos los conmutadores es hacia la izquierda.
- Cierre la cubierta anterior.

Información básica

Conmutador DIP	#	Nombre y función	Ajuste de fábrica	Ajuste alternativo
				
	1	NOM FREQ HZ: Frecuencia nominal del motor	50 Hz	60 Hz
	2	SILENT: Nivel de ruido del motor (frecuencia de conmutación PWM)	OFF - Normal (5 kHz)	ON - Silencioso (16 kHz)
	3	LOAD: Tipo de par de carga (curva U/f)	P&F - Bomba/ventilador	CT - Par constante
	4	JOG HZ: Frecuencia constante para la función de avance lento	5 Hz	10 Hz
	5	RELAY: Funcionamiento de la salida de relé	FLT - Fallo	RUN - Motor en marcha
	6	AI OFFSET: Valor mínimo para entrada analógica	OFF - 0 mA (0 V)	ON - 4 mA (2 V)
	7	AUTORESET: Función de restauración automática de fallos	OFF - Sin restauración automática	ON - Restauración automática activada
	8	HI FREQ: Modo de alta frecuencia	OFF - Estándar	ON - Alta frec. activada

Información adicional

N.º	Nombre	Información
1	NOM FREQ HZ	Define la frecuencia nominal del motor (véase la placa de características del motor).
2	SILENT	Define la frecuencia de conmutación del motor. Nota: Cuanto mayor sea la frecuencia, mayor será el ruido electromagnético y menor la longitud del cable de motor permitida para cumplir las normas EMC europeas. Véase Datos técnicos en la página 82. Nota: La frecuencia de conmutación se adapta a la temperatura del ACS55.
3	LOAD	Optimiza las características de tensión de salida y frecuencia en función de la carga. Seleccione P&F para el par cuadrático (p. ej., bombas y ventiladores) y CT para las cargas de par constante (p. ej., cintas transportadoras). El ACS55 aumenta automáticamente la tensión de arranque un 10% para compensar las pérdidas del motor y para aumentar el par de arranque.
4	JOG HZ	Define la frecuencia de avance lento. Activa la función de avance lento conectando 12...24 V CC a la entrada digital 3 ("JOG"). (El convertidor acelera o decelera hasta la frecuencia de avance lento y la mantiene hasta que se desconecta la entrada.)
5	RELAY	Selecciona el estado del convertidor que indica el contacto normalmente abierto de la salida de relé. FLT = Fallo. El contacto está abierto durante un estado de fallo o de desconexión. RUN = En marcha. El contacto está cerrado durante el funcionamiento.
6	AI OFFSET	Activa una supervisión de cero vivo para la entrada analógica. 4 mA (2 V) = ACS55 dispara por un fallo si el valor cae por debajo del límite. Véase el apartado Control de velocidad en la página 80 para obtener información sobre el escalado de entradas analógicas.
7	AUTO- RESET	Activa la función de restauración automática si se presenta alguno de los fallos siguientes: subtensión, sobretensión, pérdida de entrada analógica. ON = el ACS55 intentará una restauración automática tres segundos después de un disparo por fallo. El número máximo de restauraciones es diez en tres minutos. Si se supera este número, el ACS55 se detendrá y no intentará una nueva restauración. Véase también Indicaciones de estado y análisis de fallos en la página 81. ¡Atención! Si la señal de marcha está activada, el motor arrancará tras una restauración. Asegúrese de que ello no entrañará ningún peligro.
8	HI FREQ	Define la frecuencia de salida máxima. OFF: Frecuencia máx. = valor definido por el conmutador NOM FREQ HZ. ON: Frecuencia máx. = valor definido por el conmutador NOM FREQ HZ y el valor del potenciómetro HI FREQ. Véase Potenciómetros de control en la página 76.



Para más información, consulte la *Guía del usuario de DriveConfig* [3AFE68910897 (Inglés)].

Potenciómetros de control

Los potenciómetros de control pueden ajustarse usando un destornillador. Por defecto, todos los potenciómetros se encuentran en su posición intermedia.


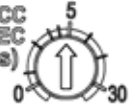
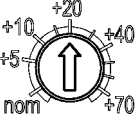
	MOTOR I NOM	<p>Use la siguiente ecuación para calcular MOTOR I NOM o escoja un valor de la tabla de selección para MOTOR I NOM a continuación. El ACS55 estima la temperatura del motor basándose en la intensidad de salida medida y en la intensidad nominal definida para el motor. El convertidor de frecuencia dispara si el motor se recalienta según la estimación.</p> <p>Nota: Si los cables de motor son largos y provocan corrientes capacitivas elevadas, puede ser necesario aumentar el ajuste MOTOR I NOM.</p> $\text{MOTOR I NOM (\%)} = \frac{\text{Intensidad nominal del motor [A]}}{\text{Intensidad nominal del ACS55 [A]}} \cdot 100\%$
	ACC/DEC	<p>Define el tiempo de aceleración y deceleración desde la frecuencia mínima a la máxima y viceversa, en segundos. Cuanto mayor sea el tiempo de ACC/DEC, más lentamente seguirá el ACS55 la referencia dada.</p>
	HI FREQ	<p>Limita la frecuencia de salida al valor requerido entre la frecuencia nominal y la frecuencia nominal +70 Hz. Para utilizar este potenciometro, conecte el modo de alta frecuencia con el conmutador DIP HI FREQ. Véase Conmutadores DIP en la página 74.</p>

Tabla de selección para MOTOR I NOM

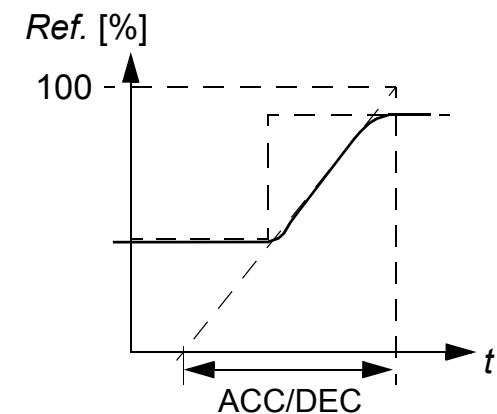
Intensidad nominal del motor (A)

ACS55-01x-

-01A4-x	0,7	0,8	1,0	1,2	1,4	1,6	1,8	2,0	2,1	
-02A2-x	1,1	1,3	1,5	1,8	2,2	2,4	2,6	2,8	3,0	3,3
-04A3-x	2,2	2,6	3,0	3,5	4,3	4,7	5,2	5,6	6,0	6,5
-07A6-x	3,8	4,6	5,3	6,1	7,6	8,4	9,3	10,2	11,4	
-09A8-x	4,9	5,9	6,9	7,8	9,8	10,8	12,0	13,3	14,7	

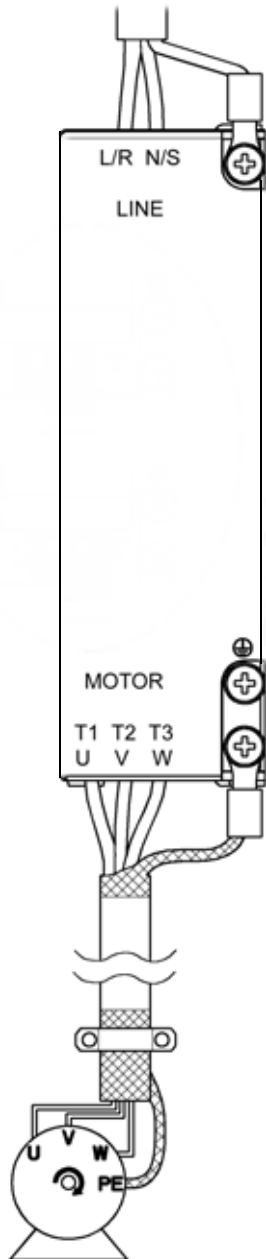
MOTOR I NOM 50 60 70 80 90 **100** 110 120 130 140 150%

Tiempo de ACC/DEC




Conexión de la fuente de alimentación y el motor.

Tensión de entrada
monofásica



⚠ ¡Atención! Antes de la instalación, verifique que la alimentación principal está desconectada.

Nota: Asegúrese de que la fuente de alimentación es la adecuada. Si conecta una unidad ACS55 con especificación de entrada 115 V CA a una alimentación de 230 V CA, dañará el convertidor de frecuencia.

Terminal	Descripción	Tamaño del hilo	Par de apriete
L/R, N/S	Entrada de alimentación monofásica	Cable tetrapolar de 2,5 mm ² máx. (bastidores A y B) o 4 mm ² máx. (bastidores C y D)	0,5 N·m
T1/U, T2/V, T3/W	Salida de potencia a motor		
PE 	Tierra de protección. Conductor de protección y apantallamiento del cable de motor.	Utilice un cable de cobre multifilar. El tamaño del cable no puede ser menor que el tamaño del cable de potencia utilizado.	1 N·m

¡Atención! Si el disipador no está conectado a tierra correctamente, puede electrocutarse al tocarlo.

Nota: Utilice sólo los tornillos combi M4x8 suministrados. La profundidad de penetración máxima permitida para los tornillos de conexión a tierra es **6 mm**.

Siga la normativa local sobre secciones transversales de cables. Utilice cable de potencia con especificación para 60 °C (140 °F), o cable con especificación para 75 °C (167 °F) si la temperatura ambiente supera los 30 °C (86 °F). Véase también [Instrucciones adicionales de cableado y EMC](#) en la página 79.

La corriente de fuga a tierra del ACS55 puede superar los 3,5 mA CA / 10 mA CC. De conformidad con la norma EN50178, el ACS55 sólo puede utilizarse en una instalación permanente.

Fusible de entrada

Véase [Datos técnicos](#) en la página 82 para consultar los tipos de fusible recomendados.

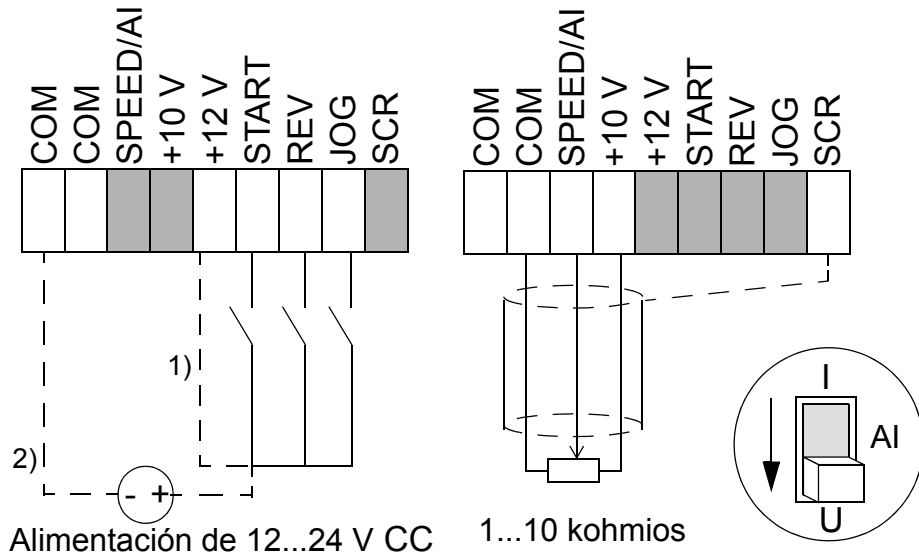
Motor

El motor debe ser un motor trifásico de inducción de CA, con una tensión nominal U_N de 200 a 240 V y una frecuencia nominal f_N de 50 o de 60 Hz. La intensidad nominal del motor debe ser menor o igual a la intensidad nominal de salida (I_2) del convertidor.

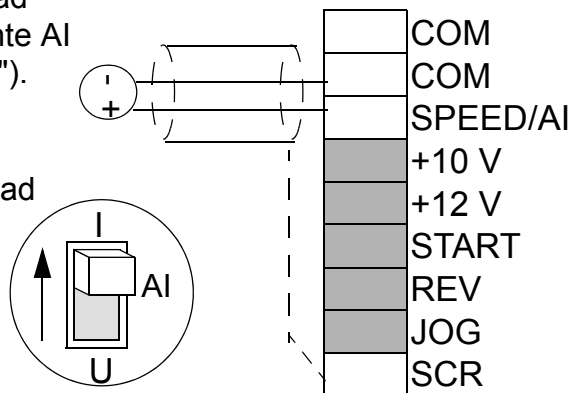
Si las fases están conectadas en la forma U-U, V-V y W-W y la dirección seleccionada es avance, el eje gira en sentido horario visto desde el extremo del eje del convertidor de frecuencia.

Conexión de los hilos de control

Se puede usar una fuente de alimentación interna (1) o externa (2) para las entradas digitales. La tensión de control analógico predeterminada es 0...10 V CC por defecto (el puente AI debe estar en la posición de tensión "U").



Uso de una señal de intensidad 0/4...20 mA: - Cambie el puente AI a la posición de intensidad ("I").
- Coloque el conmutador AI OFFSET en posición ON si prefiere una señal de intensidad 4...20 mA.



Terminales de control

- Tamaño del conductor: trenzado, de 0,25...1,5 mm² (AWG 23 a AWG 16)
- Par de apriete: 0,25 N·m.

#	Nombre	Descripción
1	COM	Común para entradas analógicas o digitales ¹⁾
2	COM	Común para entrada analógica o digital ¹⁾
3	AI	Entrada analógica: referencia de velocidad (frecuencia). 0/2...10 V CC (Ri=190 kohmios), o 0/4...20 mA (Ri=100 ohmios). Resolución 0,1%, exactitud ±1%.
4	+10 V	Tensión de referencia para entrada analógica. Precisión ±2%. Máx. 10 mA.
5	+12 V	Tensión auxiliar para entradas digitales. Máx 30 mA.
6	START	Entrada digital 1: marcha (restaura el convertidor tras un disparo por fallo) ²⁾
7	REV	Entrada digital 2: invertir la dirección de giro ²⁾
8	JOG	Entrada digital 3: activar la velocidad de avance lento ²⁾
9	SCR	Tierra para el apantallamiento del cable de señal. Conectado internamente a la tierra del bastidor.
Salida de relé		
1	RO1	Fallo: el relé se abre. 12 V...250 V CA / 30 V CC 10 mA...2 A
2	RO2	

1) Conectado internamente al bastidor (tierra) mediante una resistencia de 1 Mohmio.

2) La impedancia de entrada digital es de 1,5 kohmios.

Instrucciones adicionales de cableado y EMC

Siga estas instrucciones para un funcionamiento libre de errores y para garantizar la compatibilidad con la Directiva europea de EMC.

Cable de motor

El cable de motor debe ser un cable simétrico de tres conductores con un conductor PE concéntrico o un cable de cuatro conductores con un apantallamiento concéntrico. Se recomienda el uso de cables con apantallamiento metálico trenzado, p. ej. tipo MCCMK (NK Cables).

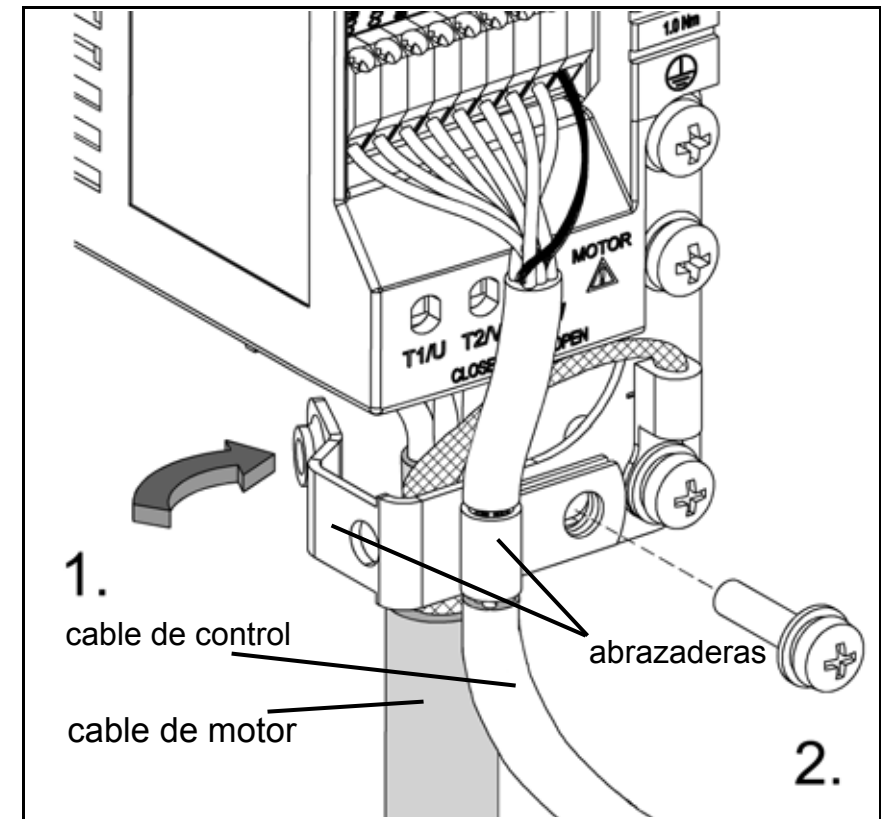
- Retuerza los hilos del apantallamiento en un mazo y conéctelos al terminal de conexión a tierra \perp . El mazo debe ser lo más corto posible.
- Fije el apantallamiento del cable como se muestra en la figura cuando se utilice un filtro EMC interno o externo.
- En el extremo del motor, los apantallamientos del cable de motor deben conectarse a tierra a 360 grados con un pasacables EMC o los hilos del apantallamiento deben retorcerse en un mazo con una longitud no superior a cinco veces su anchura, y deben conectarse al terminal PE del motor.

Cables de control

Los cables de control deben ser cables multipolares con una pantalla de hilo de cobre trenzado. Se recomienda un cable de par trenzado doblemente apantallado para las señales analógicas.

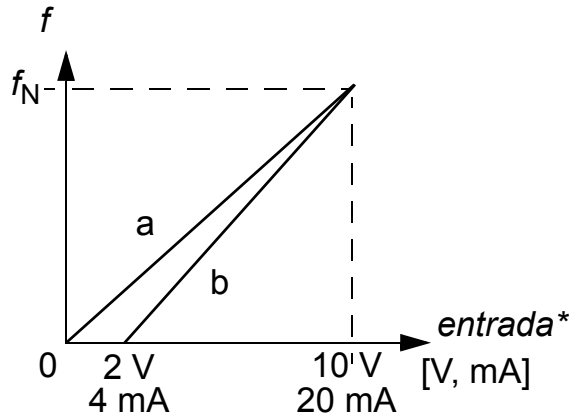
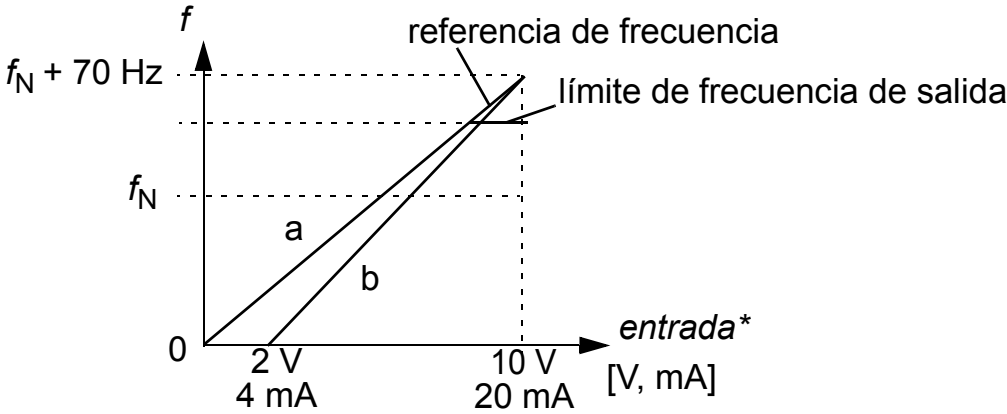
- Retuerza el apantallamiento en un mazo y conéctelo al terminal SCR. El mazo debe ser lo más corto posible.
- Fije el cable de control tal y como se muestra en la figura (sólo unidades EMC).
- Para evitar interferencias electromagnéticas, disponga el cable de motor lejos de los hilos de control y del cable de alimentación (distancia > 20 cm).

Nota: Nunca deben mezclarse señales de 24 V CC y de 115/230 V CA en un mismo cable.



Control de velocidad

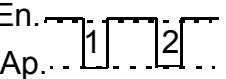
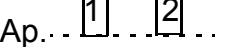
La entrada analógica proporciona la referencia de velocidad (frecuencia) para el ACS55. La correspondencia entre la entrada analógica y la referencia depende de los ajustes de los conmutadores DIP como se muestra a continuación. La frecuencia de salida sigue los cambios de referencia definidos por el potenciómetro ACC/DEC.

Modo de alta frecuencia desactivado (por defecto)	Modo de alta frecuencia activado
 <p>Ajustes del conmutador DIP: HI FREQ = OFF AI OFFSET = OFF (curva a) u ON** (curva b) MOTOR NOM FREQ = 50 o 60 Hz</p> <p>La frecuencia de salida está limitada a la frecuencia nominal seleccionada del motor.</p>	 <p>Ajustes del conmutador DIP: HI FREQ = ON AI OFFSET = OFF (curva a) u ON** (curva b) MOTOR NOM FREQ = 50 o 60 Hz</p> <p>La frecuencia real de salida está limitada a un valor entre f_N y $f_N + 70$ Hz por el potenciómetro HI FREQ. El potenciómetro no afecta al escalado de la entrada analógica.</p>
<p>* Utilice el puente AI para seleccionar la señal de tensión o de intensidad. Véase la página 78.</p> <p>** Para proteger el convertidor contra la pérdida de la señal de entrada analógica, el convertidor dispara si el valor de la señal es inferior a 2 V (4 mA).</p>	

Indicaciones de estado y análisis de fallos

El ACS55 posee dos LED de indicación de estado, visibles a través de la cubierta anterior. El LED rojo parpadeará si el convertidor detecta un problema. Tras solucionar el problema, restaure desconectando la señal de marcha. Si la marcha ya está desconectada, conéctela y desconéctela.

Consulte los códigos de error (= número de parpadeos del LED) en la tabla siguiente.

LED verde	LED rojo	Descripción
Encendido	Apagado	El ACS55 funciona con normalidad.
Encendido	Parpadeante En.  Ap. 	Se ha activado la función de protección. El número de parpadeos indica el código de fallo.
Parpadeante	Parpadeante	El ACS55 se restaurará automáticamente en 3 segundos. (*) ¡Atención! Si la señal de marcha está activada, el motor arrancará.

#	Posibles causas y acción a seguir	#	Posibles causas y acción a seguir
1	Sobretensión de CC (*). 1) Tensión de red demasiado elevada: compruebe la alimentación. 2) Tiempo de rampa de deceleración demasiado breve en comparación con la inercia de carga: incremente el tiempo de ACC/DECC con el potenciómetro.	7	Sobrecarga del motor (sobrecarga I^2t): 1) compruebe la carga y verifique que el tamaño del motor sea adecuado para el ACS55. 2) Compruebe que el ajuste del potenciómetro MOTOR I NOM sea correcto.
2	Subtensión de CC (*). Tensión de red demasiado baja: compruebe la alimentación.	8	Sobrecarga del inversor o temperatura interna excesiva: 1) la carga es demasiado elevada o 2) la refrigeración del convertidor es insuficiente.
3	Cortocircuito de salida: apague la alimentación y verifique los arrollamientos del motor y el cable de motor.	9	Otro fallo. Error interno. Desconecte la alimentación y vuelva a conectarla. Si el problema persiste, sustituya la unidad.
4	Sobreintensidad de salida. 1) Tiempo de aceleración demasiado breve en comparación con la inercia de carga: incremente el tiempo de ACC/DEC con el potenciómetro. 2) Tamaños de motor y convertidor no coincidentes: compruebe el motor.	10	Error de parametrización. Nota: Ambos LED parpadean. Se ha modificado la configuración predeterminada de los conmutadores DIP después de que el convertidor haya sido parametrizado con la herramienta DriveConfig. Vuelva a colocar los conmutadores en la posición predeterminada.
5	Reservado	11	Convertidor alimentado con pilas. El estado del convertidor indica fallo, porque no es posible ponerlo en marcha. Para hacer funcionar el convertidor, este debe estar conectado a la red. Sin embargo, cuando el convertidor recibe la alimentación del kit DriveConfig, la conexión entre DriveConfig y el convertidor es correcta.
6	Valor de entrada analógica inferior a 4 mA/2 V. (*) Nota: Esta supervisión está activa si AI OFFSET está en la posición ON.	12	El convertidor ha sido controlado por DriveConfig (u otra aplicación vía comunicación serie) y se ha perdido la comunicación. Compruebe la comunicación.

(*) Restauración automática si el AUTORESET está en la posición ON. Véase [Conmutadores DIP](#) en la página 74.

Datos técnicos

		230 V					115 V	
EMC integrado, ACS55-01E-		01A4-2	02A2-2	04A3-2	07A6-2	09A8-2	01A4-1	02A2-1
Sin EMC, ACS55-01N-		01A4-2	02A2-2	04A3-2	07A6-2	09A8-2	01A4-1	02A2-1
Potencia de salida continua del motor	kW	0,18	0,37	0,75	1,5	2,2	0,18	0,37
	CV	1/4	1/2	1	2	3	1/4	1/2
Bastidor (sin EMC)		A	A	B	C	C	A	A
Bastidor (EMC)		A	A	B	D	D	A	A
Especificaciones nominales								
Tensión de entrada U_1	V	200...240 (+10/-15%)					110...120 (+10/-15%)	
Intensidad de salida continua I_2	A	1,4	2,2	4,3	7,6	9,8	1,4	2,2
Intensidad de salida máx. I_{2max}^*	A	2,1	3,3	6,5	11,4	14,7	2,1	3,3
Tensión de salida U_2	V	0... U_1 , trifásica					0... $2 \times U_1$, trifásica	
Intensidad de entrada I_1	A	4,4	6,9	10,8	18,2	22,0	6,4	9,5
Frecuencia de conmutación	KHz	5 (máx. 16)						
Límites de protección								
Sobreintensidad (pico)	A	4,4	6,9	13,5	23,9	30,9	4,4	6,9
Límite de temperatura		95 °C / 203 °F (disipador)						
Tamaños máximo de los hilos								
Terminales de potencia	mm ²	2,5 (AWG 14)			4 (AWG 12)		2,5 (AWG 14)	
Terminales de control	mm ²	1,5 (AWG 16)						
Pérdidas de potencia	W	21	32	51	74	103	24	35
Tamaño de los fusibles de red**								
IEC, tipo IEC269 gG	A	10	16	16	25	32	10	16
UL, tipos CC y T	A	10	15	20	25	30	10	15
Peso, EMC integrado, ACS55-01E-	kg (lb)	0,65 (1,4)	0,7 (1,5)	0,9 (2)	1,6 (3,5)	1,7 (3,7)	0,65 (1,4)	0,7 (1,5)
Peso, sin EMC, ACS55-01N-	kg (lb)	0,65 (1,4)	0,7 (1,5)	0,9 (2)	1,2 (2,6)	1,3 (2,9)	0,65 (1,4)	0,7 (1,5)

* Permitida durante 1 minuto.

** Valores recomendados. No utilizar fusibles ultrarrápidos o Low-peak. Siga las normativa locales.

Longitudes máximas del cable de motor

Para cumplir la normativa de EMC europea, la longitud del cable de motor debe limitarse como se especifica en la tabla siguiente. Cuanto menor sea la longitud del cable de motor, menos ruido se emitirá a la línea de alimentación y al entorno.

Tipo de convertidor ACS55-01x-	Frecuencia de conmutación	
	5 kHz	16 kHz ¹⁾
Filtro EMC integrado		
<i>EN61800-3, primer entorno, distribución no restringida ²⁾</i>		
01A4-2, ..., 04A3-2	10 m	3 m
01A4-1, 02A2-1	10 m	3 m
07A6-2, 09A8-2	10 m	3 m
<i>EN61800-3, primer entorno, distribución restringida ³⁾</i>		
01A4-2, ..., 04A3-2	10 m	10 m
01A4-1, 02A2-1	10 m	10 m
07A6-2, 09A8-2	20 m	10 m
<i>EN61800-3, segundo entorno ³⁾</i>		
01A4-2, ..., 04A3-2	10 m	10 m
01A4-1, 02A2-1	10 m	10 m
07A6-2, 09A8-2	30 m	10 m

1) La frecuencia de conmutación puede seleccionarse con el conmutador DIP. Véase la página [75](#).

2) Aplicable sólo a emisiones conducidas.

3) Aplicable a emisiones conducidas y radiadas.

Protecciones

Sobretensión, subtensión, cortocircuito de salida, sobreintensidad, pérdida de entrada analógica, sobrecarga del motor, sobrecarga del inversor.

Redes de distribución aisladas de tierra

Los convertidores con filtro EMC integrado no deben usarse en una red flotante o en una red de distribución industrial conectada a tierra de alta impedancia.

Información medioambiental

Este producto contiene materias primas valiosas que deberían ser recicladas para preservar los recursos energéticos y naturales. Las instrucciones para la eliminación del producto están disponibles en cualquier oficina de ventas o de servicio de ABB.

Límites de responsabilidad

El fabricante no se responsabiliza de:

- Cualquier coste resultante de una anomalía si la instalación, la puesta en marcha, la reparación, la alteración o las condiciones ambientales del convertidor de frecuencia no cumplen los requisitos especificados en la documentación entregada con la unidad y en cualquier otra documentación relevante.
- Unidades que hayan sido objeto de un uso indebido o negligente o hayan sufrido algún accidente.
- Unidades que contengan materiales suministrados por el comprador o diseños estipulados por el mismo.

El fabricante, sus proveedores o subcontratistas no se responsabilizarán en ningún caso de pérdidas, penalizaciones o daños especiales, indirectos, fortuitos o consecuenciales.

Si tiene alguna pregunta respecto a su convertidor de frecuencia ABB, póngase en contacto con el distribuidor local u oficina de ABB. Los datos técnicos, la información y las especificaciones tienen validez en el momento de imprimir el presente documento. El fabricante se reserva el derecho de efectuar modificaciones sin previo aviso.

Homologaciones

Marcado CE

En Europa, el ACS55 cumple los requisitos de la

- Directiva de Baja Tensión 73/23/CEE con enmiendas
- Directiva EMC 89/336/CEE con enmiendas.

Las declaraciones correspondientes y una lista de normas principales están disponibles previa petición.

Compatibilidad electromagnética

El ACS55 cumple las siguientes normas, siempre que la instalación se haya realizado correctamente y siguiendo las instrucciones de este manual:

Emisiones conductoras de alta frecuencia	EN61800-3, primer entorno, distribución no restringida/restringida ¹⁾
Emisiones radiadas de alta frecuencia	EN61800-3, primer entorno, distribución restringida
Inmunidad	EN61800-3, segundo entorno
Armónicos de la corriente de red	IEC61000-3-2

1) Observe las longitudes máximas permitidas del cable de motor y la frecuencia de conmutación, página 83. Véanse también las instrucciones de cableado en la página 79.

Los niveles de armónicos en corriente pueden reducirse instalando reactancias de entrada externas.

Marcados UL, cUL y C-Tick

Véase la placa de características.

UL, cUL:

El ACS55 es apto para ser usado en circuitos que no proporcionen más de 65 kA de amperios rms eficaces simétricos, 230 voltios como máximo, cuando están protegidos con fusibles de clase CC o T.

Marcado C-Tick:

Consulte las especificaciones sobre compatibilidad electromagnética en el apartado [Marcado CE](#).

Cumplimiento de la Directiva Europea sobre Maquinaria

El convertidor cumple con los requisitos de la Directiva europea relativa a la maquinaria para equipos que deben ir incorporados en maquinaria. Puede obtener la declaración de incorporación de ABB.

Protección del producto en EE. UU.

Este producto está protegido por una o más de las siguientes patentes estadounidenses:

4,920,306	5,301,085	5,463,302	5,521,483	5,532,568	5,589,754	5,612,604
5,654,624	5,799,805	5,940,286	5,942,874	5,952,613	6,094,364	6,147,887
6,175,256	6,184,740	6,195,274	6,229,356	6,252,436	6,265,724	6,305,464
6,313,599	6,316,896	6,335,607	6,370,049	6,396,236	6,448,735	6,498,452
6,552,510	6,597,148	6,600,290	6,741,059	6,774,758	6,844,794	6,856,502
6,859,374	6,922,883	6,940,253	6,934,169	6,956,352	6,958,923	6,967,453
6,972,976	6,977,449	6,984,958	6,985,371	6,992,908	6,999,329	7,023,160
7,034,510	7,036,223	7,045,987	7,057,908	7,059,390	7,067,997	7,082,374
7,084,604	7,098,623	7,102,325	7,109,780	7,164,562	7,176,779	7,190,599
7,215,099	7,221,152	7,227,325	7,245,197	7,250,739	7,262,577	7,271,505
7,274,573	7,279,802	7,280,938	7,330,095	7,349,814	7,352,220	7,365,622
7,372,696	7,388,765	7,408,791	7,417,408	7,446,268	7,456,615	7,508,688
7,515,447	7,560,894	D503,931	D510,319	D510,320	D511,137	D511,150
D512,026	D512,696	D521,466	D541,743S	D541,744S	D541,745S	
D548,182S	D548,183S	D573,090S				

Hay otras patentes solicitadas.

Accesorios

Reactancias de entrada: CHK-A1, CHK-B1, CHK-C1, CHK-D1

Reactancia de salida: ACS-CHK-B3, ACS-CHK-C3

Potenciómetro: ACS55-POT

Para obtener más información acerca del kit DriveConfig, contacte con su representante local de ABB. Véase la *Guía del usuario de DriveConfig* [3AFE68910897 (Inglés)].

Käyttäjän opas

ACS55-taajuusmuuttajat

AC Drives

0,18...2,2 kW



Suomi

FI

Tuotteita ja palveluita koskevat tiedustelut

Kaikki tuotetta koskevat tiedustelut on osoitettava ABB Oy:n paikalliselle edustajalle. Tiedustelun yhteydessä on ilmoitettava laitteen tyyppikoodi ja sarjanumero. Saat näkyviin ABB:n myynti-, tuki- ja palvelukontaktien luettelon siirtymällä osoitteeseen www.abb.com/drives ja valitsemalla *Drives - Sales, Support and Service Network*).

Tuotekoulutus

Lisätietoja ABB:n tuotekoulutuksesta saat siirtymällä osoitteeseen www.abb.com/drives ja valitsemalla *Drives - Training courses*.

ABB Drivesin käyttöoppaita koskeva palaute

Kaikki käyttöoppaitamme koskeva palaute on tervetullutta. Siirry Internet-osoitteeseen www.abb.com/drives ja valitse *Drives - Document Library – Manuals feedback form (LV AC drives)*.

3AFE68929300 Rev C

FI

Versiopäivämäärä: 12.04.2010

ABB Oy

Kotimaan myynti

PL 182

00381 HELSINKI

Puhelin 010 22 11

Tekninen tuki 010 22 21999

Telekopio 010 22 22913

Internet <http://www.abb.fi>

Turvaohjeet

Lue seuraavat turvaohjeet huolellisesti ennen asennusta.

Varoitus! Vaarallinen jännite.

Vain koulutettu asentaja saa asentaa ACS55-taajuusmuuttajan.

Mitään taajuusmuuttajan, moottorikaapelin tai moottorin asennus- tai huoltotöitä ei saa tehdä jännitteen ollessa kytkettynä. Kun olet katkaissut verkkojännitteen, anna jännitteen purkautua tasajännitevälipiirin kondensaattoreista vähintään viiden minuutin ajan, ennen kuin aloitat työt.

Varoitus! Jos jäähdytyslementtiä ei ole maadoitettu oikein, sen koskettaminen voi aiheuttaa sähköiskun.

Huomaa: DIP-kytkimissä on hengenvaarallinen jännite.

Huomaa: Vaikka moottori pysäytetään, teholiittimiin L/R, N/S, T1/U, T2/V ja T3/W jää hengenvaarallinen jännite.

Huomaa: Vaikka syöttöjännite olisi kytketty pois, relelähtöliittimissä saattaa olla hengenvaarallisia ulkoisia jännitteitä.

Varoitus! Kuumia pintoja!

Jäähdytyslementti saattaa kuumentua (>80 °C) taajuusmuuttajan ollessa käytössä. Varmista, että asennus on tehty oikein.

Yleiset turvaohjeet

Jännitekatkoksen jälkeen ACS55 käynnistää moottorin automaattisesti, jos ulkoinen käynnistyskäsky on päällä.

Vioittunutta laitetta ei saa korjata itse. Jos ACS55 vioittuu, ota yhteys toimittajaan ja pyydä vaihtamaan laite.

Asenna ACS55 lukittuun tai työkalulla avattavaan tilaan.

Syöttöjännitettä ei saa kytkeä laitteeseen useammin kuin kerran kolmessa minuutissa.

Jos DIP-kytkinten säätöjä muutetaan, se vaikuttaa ACS55:n toimintaan. Tarkista, että muutokset eivät aiheuta vaaraa ihmisille tai omaisuudelle.

Yleistä

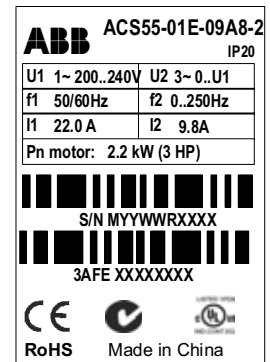
Tämä opas sisältää taajuusmuuttajan asennuksessa ja käyttöön- otossa tarvittavat tiedot.

Vastaanottotarkistus

Toimitukseen sisältyy:

1. ACS55
2. Käyttäjän opas
3. Kaksi kiristintä ohjauskaapelia varten (vain EMC-laitteet).

Tarkista arvokilvestä, että toimitettu laite vastaa tilausta.



ACS55-01 - -

EMC-suodin: E = sisäinen, N = ei ole

Maks. jatkuva lähtövirta (I_2):

01A4 = 1,4 A, 02A2 = 2,2 A, 04A3 = 4,3 A,

07A6 = 7,6 A, 09A8 = 9,8 A

Syöttöjännite (U_1):

1 = 110...120 VAC +10 %/-15 %

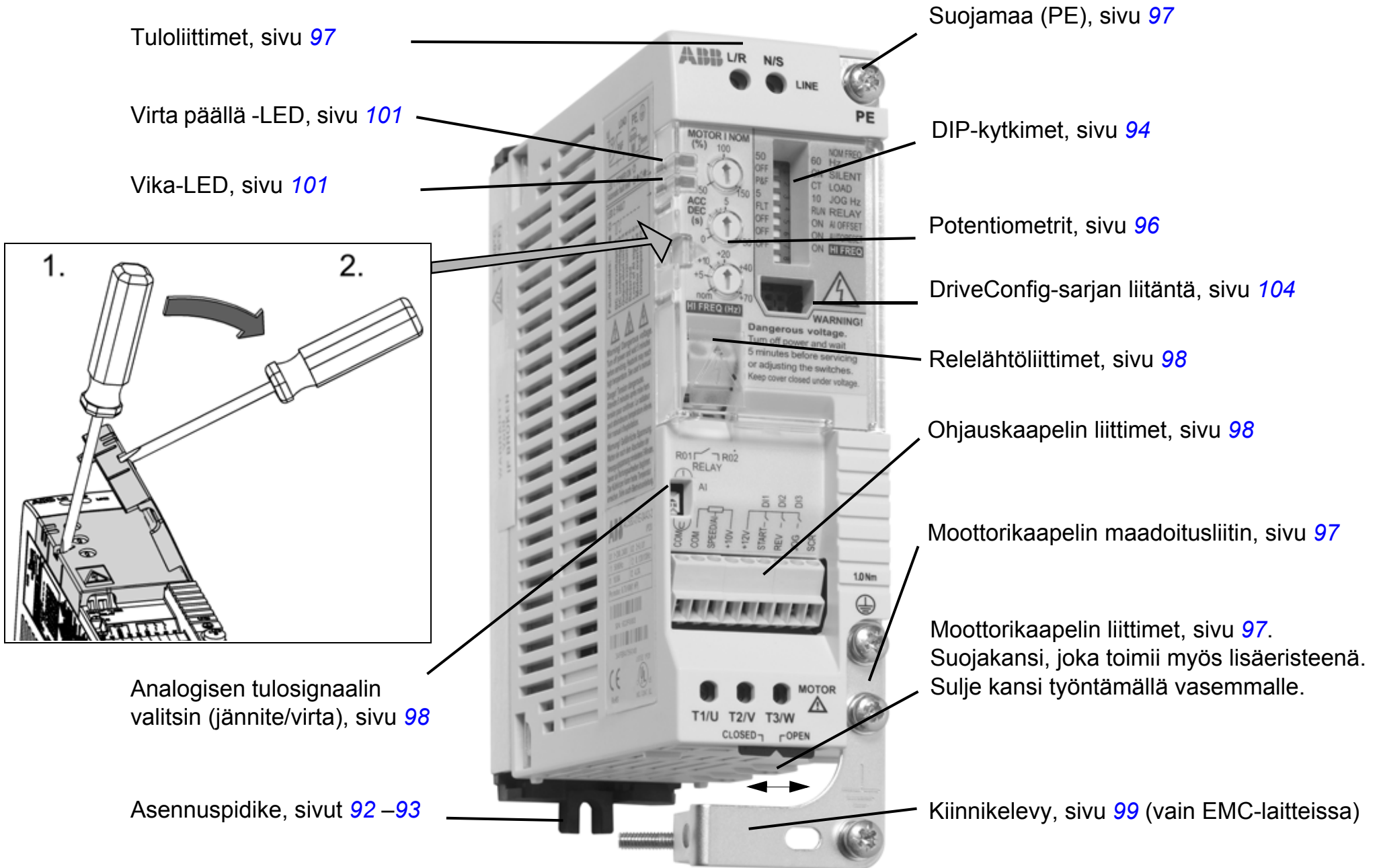
2 = 200...240 VAC +10 %/-15 %

Sarjanumero (S/N) on arvokilvessä.

(M = valmistuspaikka, YY = valmistusvuosi, WW = valmistusviikko, R = tuotteen versionumero (A, B, C...), XXXX = kokonaisluku, joka alkaa viikoittain luvusta 0001)

Yleiskuva laitteesta

ACS55-taajuusmuuttajalla säädetään 3-vaiheisen AC-oikosulkumoottorin pyörimisnopeutta.



Asennuksen ja käyttöönoton vaiheet

Lue ensin [Turvaohjeet](#) sivulta [87](#) .

	Toiminto	Sivu
1	Tarkista, että toimitus vastaa tilausta.	87
2	Varmista, että asennusympäristö sopii ACS55-laitteelle.	90
3	Asenna laite.	92 - 93
4	Tarkista, voiko vakioasetuksia käyttää: moottorin nimellistaajuus 50 Hz, kuormana pumppu tai puhallin, lähtötaajuus enintään 50 Hz. Ellei voi, tee tarvittavat muutokset DIP-kytkinten asentoihin.	94
5	Varmista, että potentiometrin MOTOR I NOM asetus vastaa moottorin nimellisvirtaa. Asetus vaikuttaa moottorin lämpösuojan toimintaan.	96
6	Säädä tarvittaessa kiihdytys- ja hidastusajan potentiometriä ACC/DEC.	96
7	Kytke syöttö- ja moottorikaapelit.	97
8	Kytke ohjausjohtimet.	98
9	Kytke jännite. Vihreä LED-valo syttyy. Huomautus: Moottori pyörii, jos käynnistyssignaali on aktiivinen.	
10	Aseta nopeusohje ja aktivoi käynnistyssignaali. Moottori kiihdyttää annettuun nopeusohjeeseen.	100

Asennuksen eristysmittaukset

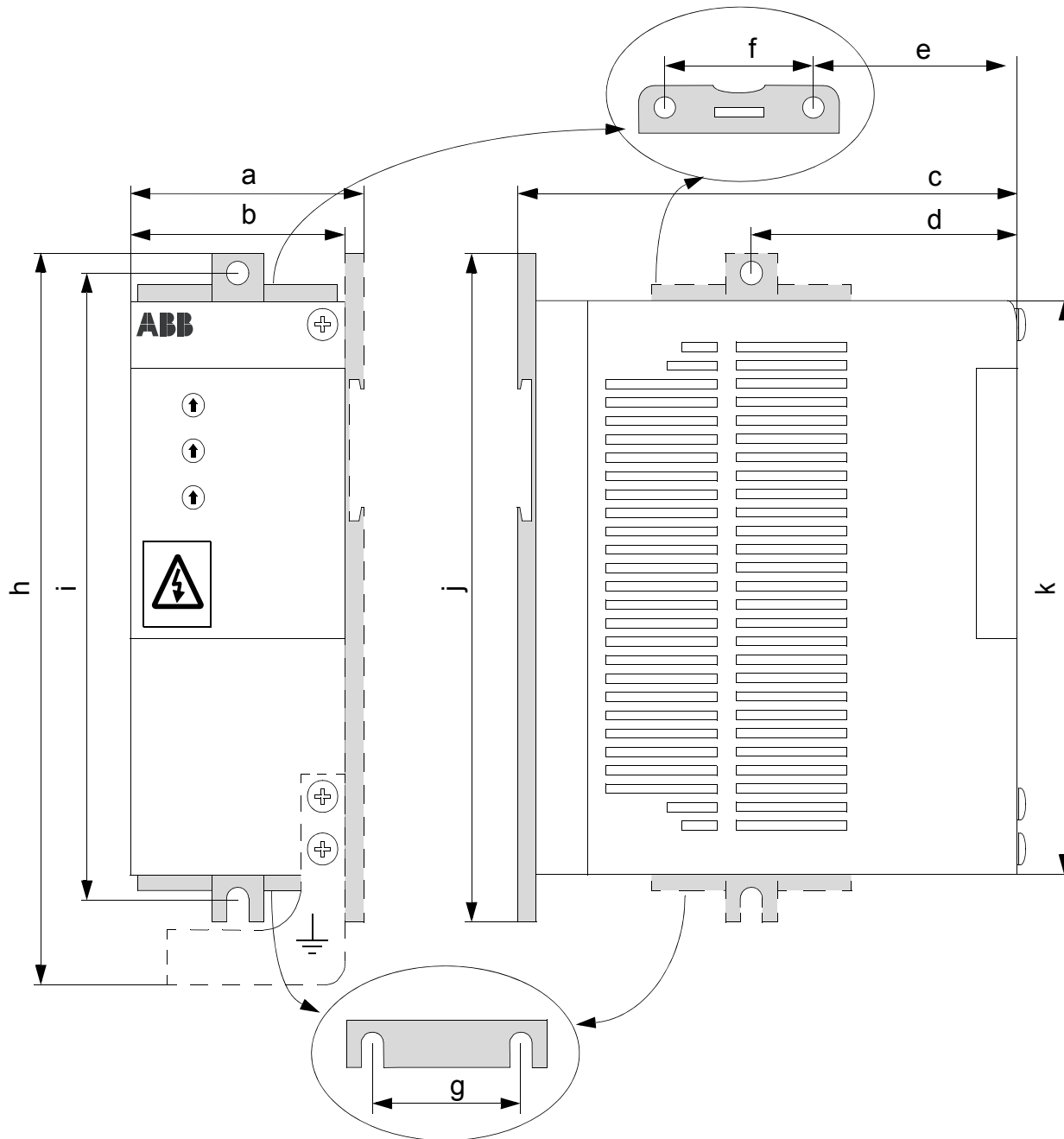
Taajuusmuuttajan millekään osalle ei tule tehdä ylijännite- tai eristysresistanssimittauksia (esimerkiksi suurjännitekoestusta tai eristysvastusmittausta), koska testaus voi vahingoittaa taajuusmuuttajaa. Jokainen taajuusmuuttaja on testattu tehtaassa pääpiirin ja rungon välisen eristyksen osalta. Taajuusmuuttajan sisällä on myös jännitteen rajoituspiirejä, jotka rajoittavat testausjännitettä automaattisesti.

Ympäristövaatimukset

	Asennuspaikka	Varastointi ja kuljetus suojausluokassa	
Ilman lämpötila	–20 °C, huurtuminen ei sallittu ¹⁾ +40 °C, nimelliskuormalla +50 °C, jos jatkuva lähtövirta on enintään 85 % nimellislähtövirrasta I_2 +55 °C, jos jatkuva lähtövirta on enintään 75 % nimellislähtövirrasta I_2	–40 °C...+70 °C	
Asennuskorkeus	0...2 000 m. Kun korkeus on 1 000...2 000 m, P_N ja I_2 laskevat 1 % / 100 m.	Ei rajoituksia	
Suhteellinen kosteus	Alle 95 %, ei tiivistymistä	Alle 95 %, ei tiivistymistä	
Ilman epäpuhtaudet (IEC 60721-3-3)	<ul style="list-style-type: none"> Sähköä johtava pöly ei sallittu. Ilman on oltava puhdasta, eikä siinä saa olla syövyttäviä aineita tai sähköä johtavaa pölyä. Kemialliset kaasut: Class 3C2. Kiinteät hiukkaset: Class 3S2. 	Varastointi	Kuljetus
		<ul style="list-style-type: none"> Sähköä johtava pöly ei sallittu. Kemialliset kaasut: Class 1C2 Kiinteät hiukkaset: Class 1S2 	<ul style="list-style-type: none"> Sähköä johtava pöly ei sallittu. Kemialliset kaasut: Class 2C2 Kiinteät hiukkaset: Class 2S2
Sinimuotoinen värinä (IEC 60068-2-6)	Taajuusalue: 5...150 Hz Huippukiihtyvyys: 1 g	ISTA 1A -spesifikaation mukaan	
Iskut (IEC 60068-2-29)	Ei sallittu	Maks. 100 m/s ² , 11 ms	
Vapaa pudotus	Ei sallittu	Ei sallittu	

1) Kun taajuusmuuttajaa käytetään alle nollan lämpötilassa, on syöttövirta pidettävä kytkettynä. Asenna taajuusmuuttaja kotelon sisään ja varmista, että laitteen luovuttama lämpö johdetaan asianmukaisesti pois.

ACS55:n suojausluokka on IP20.



	Runko A mm	Runko B mm	Runko C mm	Runko D mm
a	53 (2,09)	72 (2,83)	74 (2,91)	74 (2,91)
b	45 (1,77)	67.5 (2,66)	70 (2,76)	70 (2,76)
c	128 (5,04)	128 (5,04)	159 (6,26)	159 (6,26)
d	67.5 (2,66)	67.5 (2,66)	-	-
e	-	-	77 (3,03)	77 (3,03)
f	-	-	40 (1,57)	40 (1,57)
g	-	-	40 (1,57)	40 (1,57)
h	183 (7,20)	183 (7,20)	-	230 (9,06)
i	156 (6,14)	156 (6,14)	182 (7,17)	214 (8,43)
j	170 (6,69)	170 (6,69)	194 (7,64)	226 (8,90)
k	146.5 (5,77)	146.5 (5,77)	171 (6,73)	203 (7,99)

Asennus

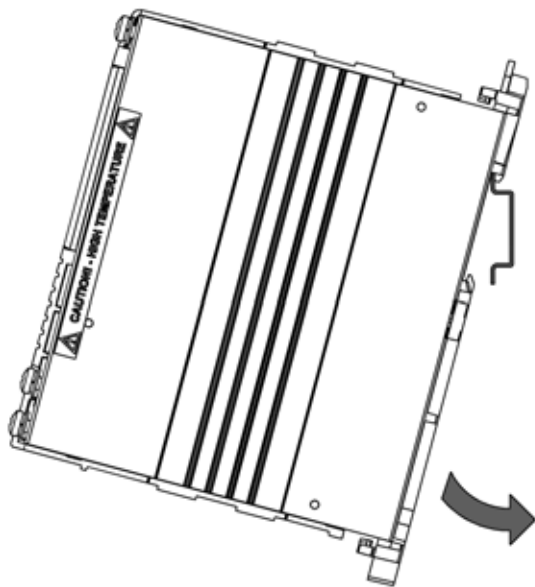
Varoitus! Laite kuumenee normaalissa käytössä. Varmista, että jäähdytysilman virtaus on riittävä kaikissa olosuhteissa:

- Asenna ACS55 aina siten, että jäähdytysrivat ovat pystysuunnassa.
- Jätä riittävästi tilaa laitteiden ympärille, joiden runkokoko on A tai B. Runkokoon C ja D laitteet ovat puhallinjäähdytteisiä, joten ne voidaan asentaa vierekkäin eikä niiden väliin tarvitse jättää ylimääräistä tilaa.

Asenna laite asennuspidikkeellä 35 mm:n DIN-kiskoon tai seinälle.

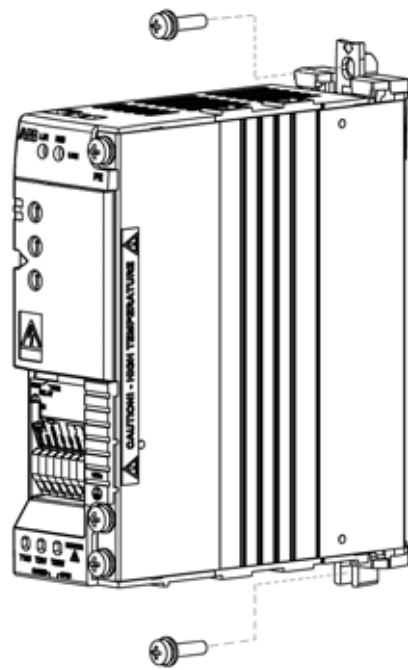
Asennus DIN-kiskoon

"Napsauta" ACS55 kiinni kiskoon. Laite irrotetaan painamalla asennuspidikkeen yläpuolella olevaa vipua.



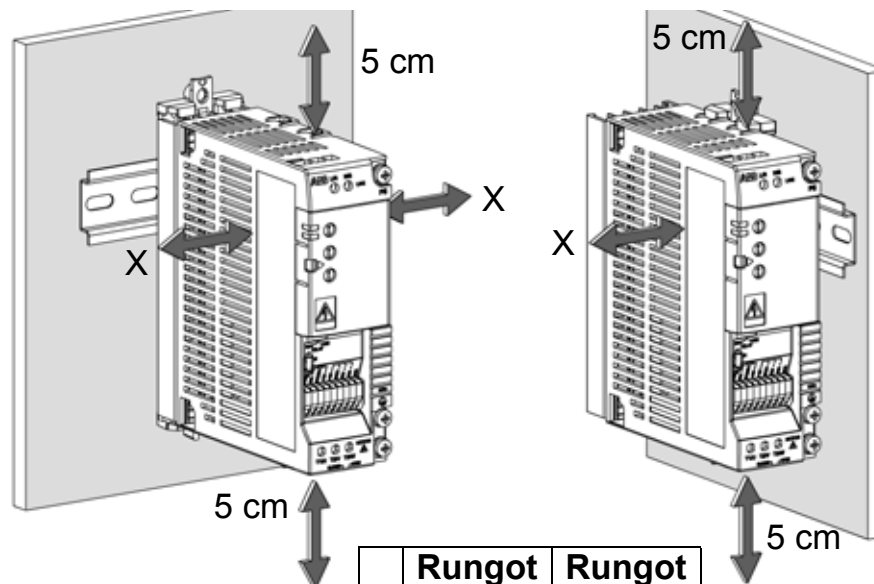
Asennus seinälle

Asenna laite seinälle asennuspidikkeen avulla. Käytä M4-ruuveja.



Vapaa tila

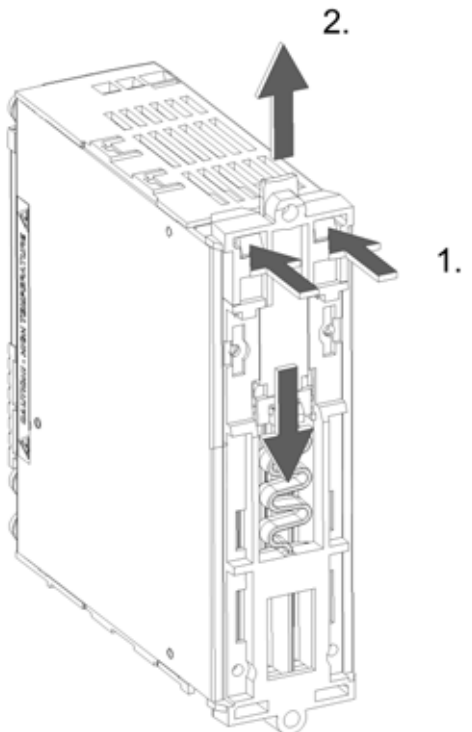
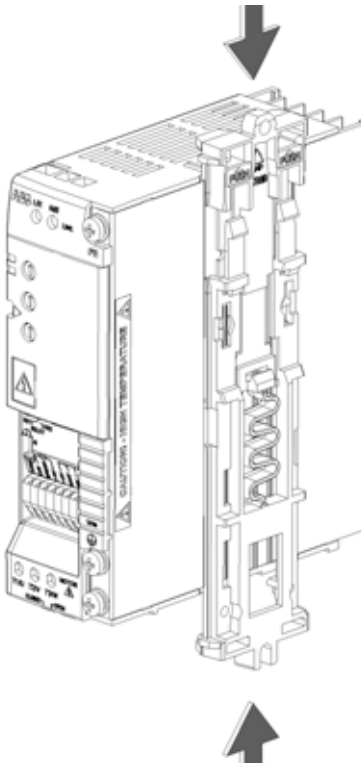
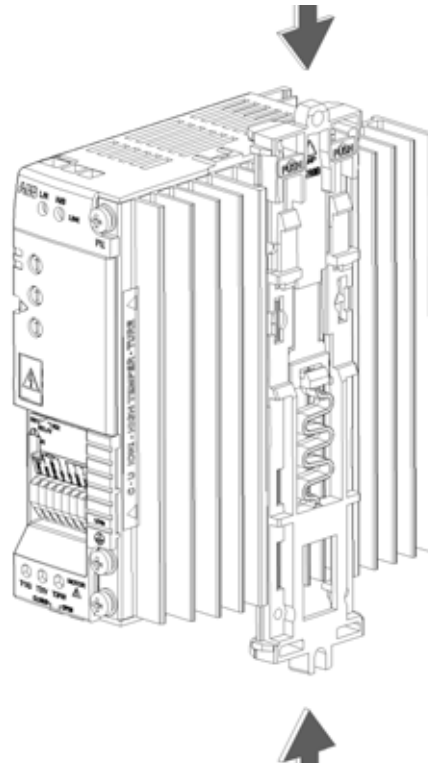
Varmista asianmukainen jäähdytys jättämällä laitteen ympärille aina riittävästi tilaa.



	Rungot A ja B cm	Rungot C ja D cm
X	1,5	0

Asennuspidikkeen kiinnittäminen ja irrottaminen seinäasennuksessa

Laite voidaan asentaa kapea tai leveä sivu seinää vasten. Kiinnitä asennuspidike alla olevien kuvien mukaisesti (runkokoot A ja B) joko kapealle tai leveälle sivulle. Runkokoon C ja D laitteilla pidike irrotetaan vetämällä alas ja kiinnitetään työntämällä ylös.

Asennuspidikkeen irrottaminen, rungot A ja B: Irrota pidikkeen ylä- ja alaosia toisistaan painamalla kahta muovipainiketta.	Asennuspidikkeen kiinnittäminen, runko A: Aseta pidikkeen osat kuvan mukaisesti ja napsauta ne yhteen.	Asennuspidikkeen kiinnittäminen, runko B: Työnnä pidikkeen osat jäähdytysripojen välistä ja napsauta ne yhteen.
		

DIP-kytkimet

ACS55-taajuusmuuttajan asetukset sovitetaan moottorin ja sovelluksen mukaisiksi DIP-kytkimillä.



Varoitus! DIP-kytkimessä on hengenvaarallinen jännite (200 V). Katkaise taajuusmuuttajan syöttöjännite ja odota 5 minuuttia ennen kuin muutat kytkinten asentoja. Pidä suojakansi suljettuna, kun laite on jännitteinen.

Konfigurointi

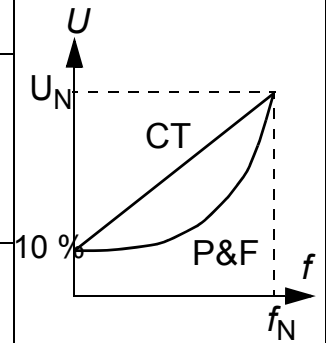
- Avaa etukansi ruuvimeisselillä ja aseta DIP-kytkimet vaadittavaan asentoon.
- Siirrä kytkintä vasemmalle tai oikealle ruuvimeisselin kärjellä. Kaikkien kytkinten oletusasetus on vasemmassa.
- Sulje etukansi.

Perustiedot

DIP-kytkin	#	Nimi ja toiminto	Oletus- asetus	Vaihtoehtoinen asetus
	1	NOM FREQ HZ: Moottorin nimellistaajuus	50 Hz	60 Hz
	2	SILENT: Moottorin melutaso (PWM-kytkentätaajuus)	OFF - Normaali (5 kHz)	ON - Hiljainen (16 kHz)
	3	LOAD: Kuormitusmomentin tyyppi (U/f-käyrä)	P&F - Pumppu/ puhallin	CT - Vakiomomentti
	4	JOG HZ: Vakiotaajuus "ryömintä"	5 Hz	10 Hz
	5	RELAY: Relelähdön toiminta	FLT - Vika	RUN - Moottori käy
	6	AI OFFSET: Analogiatulon minimiarvo	OFF - 0 mA (0 V)	ON - 4 mA (2 V)
	7	AUTORESET: Automaattinen viankuittaustoiminto	OFF - Ei autom. kuittausta	ON - Autom. kuittaus käytössä
	8	HI FREQ: Korkeataajuustila	OFF - Vakio	ON - Korkeataajuustila käytössä

Lisätietoja

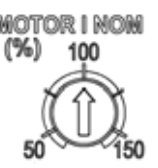

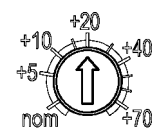
Nro	Nimi	Selitys
1	NOM FREQ Hz	Moottorin nimellistaajuus (katso moottorin arvokilpi).
2	SILENT	Taajuusmuuttajan kytkentätaajuus. Huomautus: Mitä suurempi kytkentätaajuus on, sitä enemmän esiintyy sähkömagneettisia häiriöitä ja sitä lyhyempi on moottorikaapelin pituus, jolla asennus täyttää eurooppalaiset EMC-vaatimukset. Katso Tekniset tiedot sivulla 102 . Huomautus: Kytkentätaajuus säätyy ACS55:n lämpötilan mukaan.
3	LOAD	Lähtöjännitteen ja -taajuuden optimointi kuorman mukaan. Aseta neliöllinen momentti valitsemalla P&F (esim. pumput ja puhaltimet) ja vakiomomentti valitsemalla CT (esim. kuljettimet). ACS55 nostaa käynnistysjännitettä automaattisesti 10 %. Jännitteen nosto kompensoi moottorihäviöt ja lisää käynnistysmomenttia.
4	JOG Hz	Vakiotaajuus. Toiminto aktivoidaan kytkemällä 12...24 VDC digitaalituloon 3 ("ryömintä"). (Taajuusmuuttaja kiihdyttää tai hidastaa vakiotaajuuteen ja pitää taajuuden, kunnes tulo kytketään irti.)
5	RELAY	Taajuusmuuttajatilan valinta. Tilaa ilmaisee relelähdön kosketin (sulkeutuva). FLT = Vika. Kosketin avautuu, jos laite vikaantuu tai jännite katkeaa. RUN = Käynnissä. Kun laite on käynnissä, kosketin on kiinni.
6	AI OFFSET	Aktivoi analogiatulon nolla -valvonnan. 4 mA (2 V) = ACS55 laukaisee vian, jos arvo laskee rajan alapuolelle. Lisätietoja analogiatulon skaalauksesta on kohdassa Pyörimisnopeuden säätö sivulla 100 .
7	AUTO- RESET	Automaattinen kuittaus seuraavissa vikatilanteissa: alijännite, ylijännite, analogiatulo puuttuu. ON = ACS55 yrittää kuittausta automaattisesti kolmen sekunnin kuluttua vikalaukaisusta. Kuittausten maksimimäärä on kymmenen kolmen minuutin aikana. Jos määrä ylittyy, ACS55 pysähtyy eikä yritä enää uutta kuittausta. Lisätietoja on kohdassa Tilaa ilmaisevat LED-valot ja vianhaku sivulla 101 . Varoitus! Jos käynnistyskäsky on päällä, moottori käynnistyy kuittauksen jälkeen. Varmista, että tämä ei aiheuta vaaratilannetta.
8	HI FREQ	Suurimman sallitun lähtötaajuuden asetus. OFF: Maksimitaajuus = kytkimellä NOM FREQ HZ aseteltu arvo. ON: Enimmäistaajuus = kytkimellä NOM FREQ HZ aseteltu arvo + potentiometrin HI FREQ arvo. Katso kohta Ohjauspotentiometri sivulla 96 .



Lisätietoja on *DriveConfig*-käyttöoppaassa [3AFE68910897 (englanninkielinen)].

Ohjauspotentiometrit

Ohjauspotentiometrien asetukset voidaan tehdä ruuvimeisselillä. Kaikkien potentiometrien vakiasetus on keskellä.

 <p>MOTOR I NOM (%)</p>	MOTOR I NOM	<p>Laske MOTOR I NOM alla olevan yhtälön avulla tai valitse arvo alhaalla vasemmalla olevasta MOTOR I NOM -valintakaaviosta. ACS55 laskee moottorin lämpötilan mitatun lähtövirran ja moottorin nimellisvirran perusteella. Taajuusmuuttajan vikasuojaus laukeaa, jos moottori ylikuumenee.</p> <p>Huomautus: Jos moottorikaapelit ovat pitkiä ja aiheuttavat runsaasti kapasitiivisia virtoja, MOTOR I NOM -asetuksen arvoa pitää ehkä nostaa.</p> $\text{MOTOR I NOM (\%)} = \frac{\text{Moottorin nimellisvirta [A]}}{\text{ACS55:n nimellisvirta [A]}} \cdot 100 \%$
 <p>ACC/DEC (s)</p>	ACC/DEC	<p>Kiihdytys- ja hidastusaika minimitaajuudesta maksimitaajuuteen ja päinvastoin sekunneissa. Mitä pitempi ACC/DEC-aika on, sitä hitaammin ACS55 noudattaa nopeusohjeen muutoksia.</p>
 <p>HI FREQ (Hz)</p>	HI FREQ	<p>Lähtötaajuuden rajausta haluttuun arvoon nimellistaajuuden ja nimellistaajuus + 70 Hz välille. Potentiometri otetaan käyttöön aktivoimalla korkeataajuustila HI FREQ DIP -kytkimellä. Katso kohta DIP-kytkimet sivulla 94.</p>

MOTOR I NOM -valintakaavio

Moottorin nimellisvirta (A)

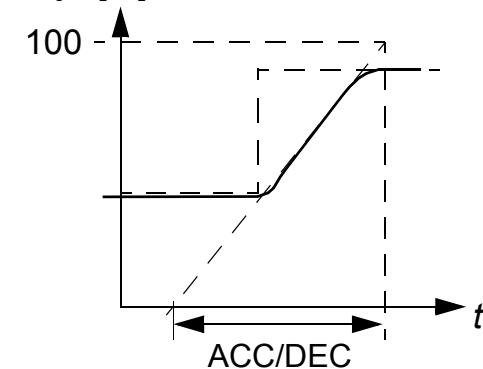
ACS55-01x-

-01A4-x	0,7	0,8	1,0	1,2	1,4	1,6	1,8	2,0	2,1	
-02A2-x	1,1	1,3	1,5	1,8	2,2	2,4	2,6	2,8	3,0	3,3
-04A3-x	2,2	2,6	3,0	3,5	4,3	4,7	5,2	5,6	6,0	6,5
-07A6-x	3,8	4,6	5,3	6,1	7,6	8,4	9,3	10,2	11,4	
-09A8-x	4,9	5,9	6,9	7,8	9,8	10,8	12,0	13,3	14,7	

MOTOR I NOM 50 60 70 80 90 **100** 110 120 130 140 150%

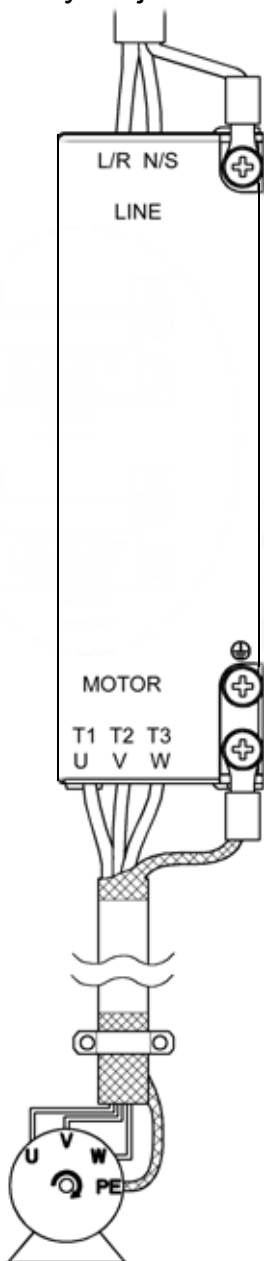
ACC/DEC-aika

Ohje [%]




Syöttö- ja moottorikaapeliin kytkeminen

1-vaiheinen
syöttöjännite



⚠ Varoitus! Varmista ennen asennusta, että verkkojännite on kytketty irti.

Huomautus: Varmista, että syöttöjännite on oikea. Jos 230 VAC:n jännite kytketään 115 VAC:n ACS55-taajuusmuuttajaan, laite vahingoittuu.

Liitin	Kuvaus	Johtimen koko	Kiristys-momentti
L/R, N/S	1~ tulojännite	Maks. 2,5 mm ² :n (runkokoot A ja B) tai maks. 4 mm ² :n (runkokoot C ja D) nelijohdinkaapeli	0,5 Nm
T1/U, T2/V, T3/W	Teholiitäntä moottoriin		
PE 	Suojamaa. Moottorikaapelin maadoitusjohdin ja suoja.	Käytä monisäikeistä kuparijohdinta. Johtimen koko ei saa olla pienempi kuin käytetyn tehokaapelin koko.	1 Nm

Varoitus! Jos jäähdytyslementtiä ei ole maadoitettu kunnolla, sen koskettaminen voi aiheuttaa sähköiskun.

Huomautus: Käytä vain laitteen mukana toimitettuja M4x8 Combi -ruuveja. Maadoitusruuvien suurin sallittu pituus on 6 mm.

Noudata paikallisia kaapelin poikkipinta-alaa koskevia ohjeita. Jos ympäristön lämpötila on yli 30 °C, käytä syöttö- ja moottorikaapeleita, joiden lämpökestoisuus on 60 °C tai 75 °C. Katso myös kohta [Muu kaapelointi ja EMC-ohjeet](#) sivulla 99.

ACS55:n maavuotovirta voi ylittää 3,5 mA AC / 10 mA DC. Standardin EN50178:n mukaisesti ACS55-taajuusmuuttajaa saa käyttää vain kiinteissä asennuksissa.

Syöttösulake

Katso suositeltavat sulaketyypit kohdasta [Tekniset tiedot](#) sivulla 102.

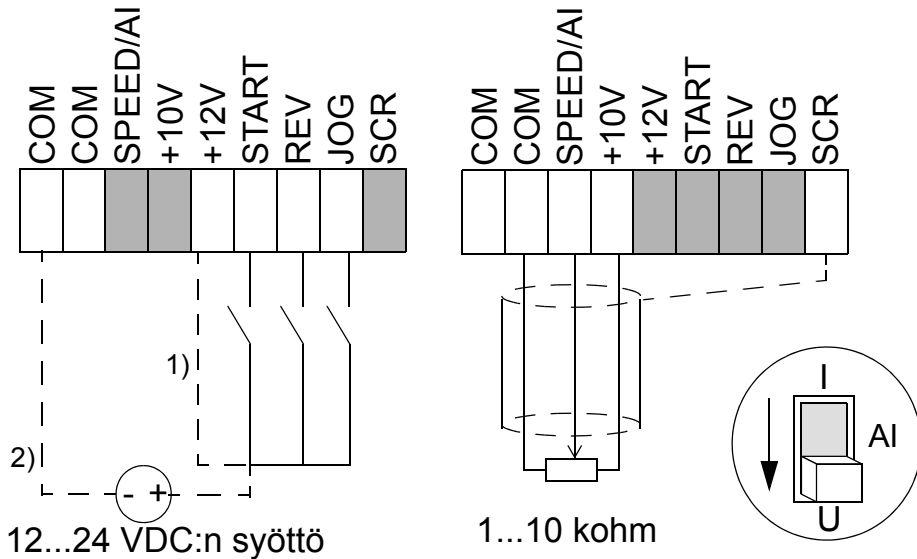
Moottori

Moottorin on oltava kolmivaiheinen AC-oikosulkumoottori, jonka nimellisjännite U_N on 200–240 V ja nimellistaajuus f_N joko 50 tai 60 Hz. Moottorin nimellisvirran on oltava pienempi tai yhtä suuri kuin taajuusmuuttajan nimellislähtövirta (I_2).

Jos taajuusmuuttajan vaiheet kytketään moottorin vaiheisiin samassa järjestyksessä U-U, V-V ja W-W on ja pyörimissuunnaksi valitaan eteen, akseli pyörii myötäpäivään moottorin akselin päästä katsottuna.

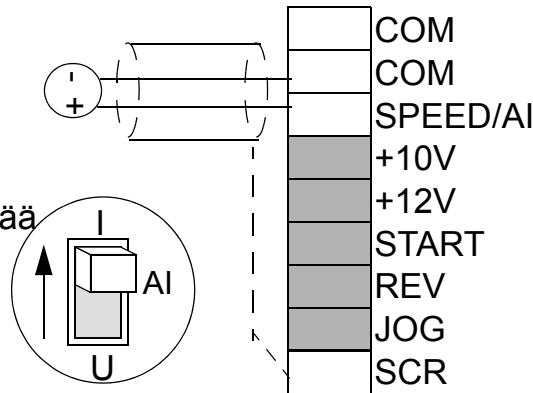
Ohjausjohtimien kytkeminen

Digitaalituloille voidaan käyttää sisäistä (1) tai ulkoista (2) syöttöä. Analogisen ohjauksen tehdasetus on 0...10 VDC. (AI-siirtoliittimen on oltava jänniteasennossa [U]).



Kun käytössä 0/4...20 mA:n virtasignaali:

- Vaihda AI-siirtoliittimen asennoksi "I".
- Aseta AI OFFSET -kytkin asentoon ON, jos haluat käyttää 4...20 mA:n virtasignaalia.



Ohjausliitännät

- Johdinkoko: monisäikeinen 0,25...1,5 mm² (AWG 23...AWG 16)
- Kiristysmomentti: 0,25 Nm.

#	Nimi	Kuvaus
1	COM	Yhteinen digitaal- ja analogiatuloille ¹⁾
2	COM	Yhteinen digitaal- ja analogiatulolle ¹⁾
3	AI	Analogiatulo: nopeusohje (taajuusohje). 0/2...10 VDC (Ri=190 kohm), tai 0/4...20 mA (Ri=100 ohm). Asettelutarkkuus 0,1 %, tarkkuus ± 1 %.
4	+10V	Analogiatulon ohjejännite. Tarkkuus ± 2 %. Maks. 10 mA.
5	+12V	Digitaalitulojen apujännite, maks. 30 mA.
6	START	Digitaalitulo 1: Käyntiin (vian kuittaus vikalaukaisun jälkeen) ²⁾
7	REV	Digitaalitulo 2: Pyörimissuunnan vaihto ²⁾
8	JOG	Digitaalitulo 3: Vakionopeuden aktivointi ²⁾
9	SCR	Ohjaukkaapelin suojavaipan maadoitus. Kytkeyty sisäisesti runkoon (maahan).
Relelähde		
1	RO1	Vika: Rele aukeaa. 12 V...250 VAC / 30 VDC
2	RO2	10 mA...2 A

1) Kytkeyty sisäisesti runkoon (maahan) 1 Mohm-vastuksen kautta.

2) Digitaalitulojen impedanssi on 1,5 kohm.

** Suositeltuja arvoja. Älä käytä UR- tai LOW-PEAK -sulakkeita. Noudata paikallisia ohjeita.

Muu kaapelointi ja EMC-ohjeet

Alla olevia ohjeita noudattamalla varmistat, että laite toimii häiriöttömästi ja vastaa eurooppalaisen EMC-direktiivin vaatimuksia.

Moottorikaapeli

Moottorikaapelina käytetään konsentrisella PE-johtimella varustettua symmetristä kolmijohdinkaapelia tai konsentrisella suojalla varustettua nelijohdinkaapelia. Suositeltavaa on käyttää punottua metallisuojaa, esim. tyyppiä MCCMK (NK Cables).

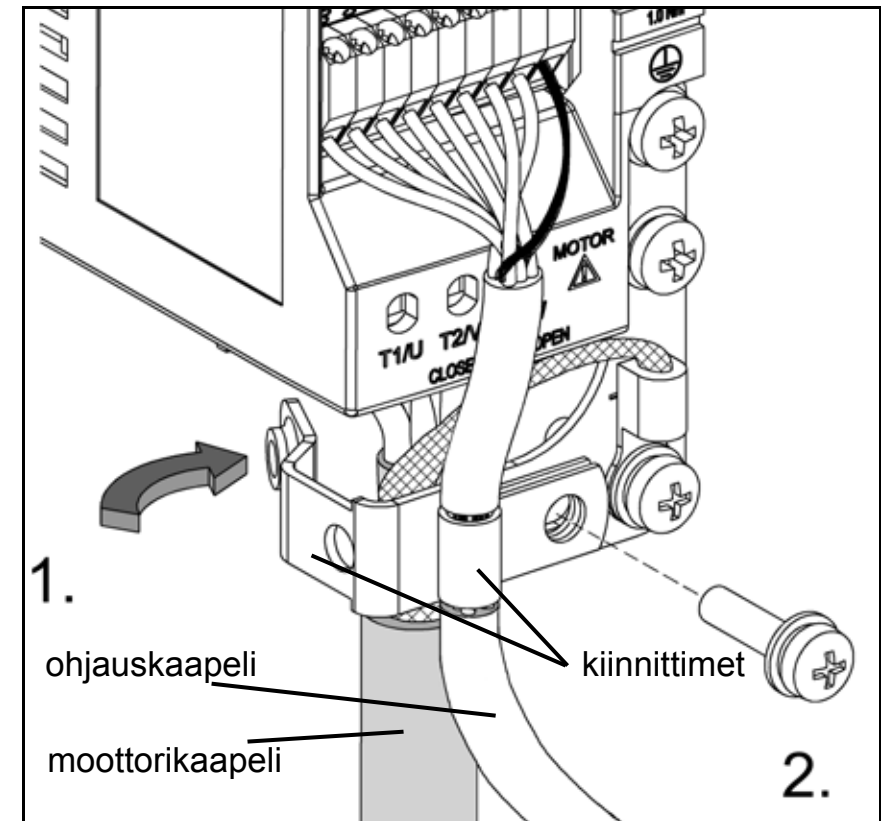
- Kierrä kaapelisuojan langat yhteen johtimeksi ja kytke johdin maadoitusliittimeen \perp . Johtimen on oltava mahdollisimman lyhyt.
- Kiristä kaapelisuoja kuvassa esitetyllä tavalla, kun käytät sisäistä tai ulkoista EMC-suodinta.
- Maadoita kaapelin suoja moottorin päässä koko ympärysmitaltaan (360 astetta) käyttäen EMC-läpivientiholkkia tai kierrä suojan langat yhteen johtimeksi siten, että johtimen pituus on korkeintaan viisi kertaa sen paksuus. Maadoita yhteenkierretty suoja moottorin PE-liittimeen.

Ohjauskaapelit

Ohjauskaapeleina käytetään monijohdinkaapeleita, joiden suojat ovat kuparipunosta. Suositeltava kaapelityyppi analogiasignaaleille on kaksoissuojattu kierretty parikaapeli.

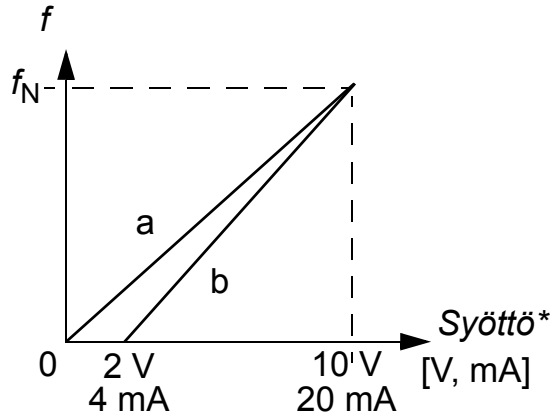
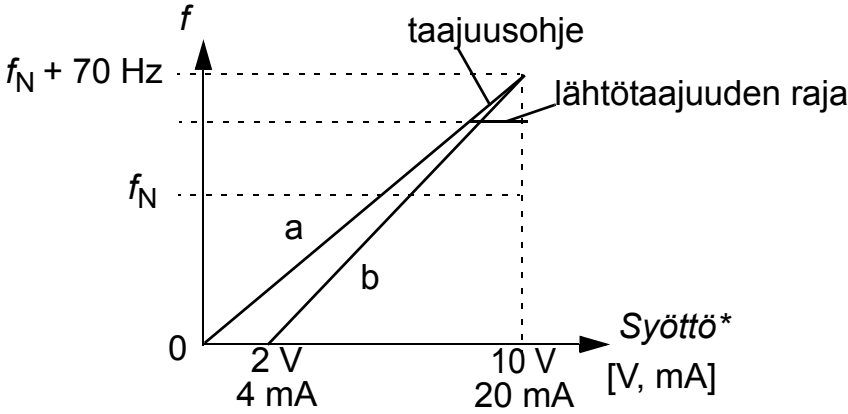
- Kierrä kaapelin suoja yhteen johtimeksi ja kytke johdin liittimeen SCR. Johtimen on oltava mahdollisimman lyhyt.
- Kiristä ohjauskaapeli kuvassa esitetyllä tavalla (vain EMC-laitteet).
- Vedä moottorikaapeli mahdollisimman kauas ohjaus- ja syöttökaapeleista (etäisyys > 20 cm), jotta välttyttäisiin sähkömagneettisilta häiriöiltä.

Huomaa: 24 VDC- ja 115/230 VAC -signaaleja ei saa koskaan kytkeä samaan kaapeliin.



Pyörimisnopeuden säätö

ACS55 saa nopeusohjeen (taajuusohjeen) analogiatulon kautta. Analogiatulon ja ohjeen välinen suhde riippuu DIP-kytkinten asetuksista, kuten alla on kuvattu. Lähtötaajuus seuraa ohjeen muutoksia potentiometrin ACC/DEC määräämällä rampilla.

Korkeataajuustila OFF (tehdas)	Korkeataajuustila ON
 <p>DIP-kytkimen asetukset: HI FREQ = OFF AI OFFSET = OFF (käyrä a) tai ON** (käyrä b) MOTOR NOM FREQ = 50 tai 60 Hz</p> <p>Lähtötaajuus on rajattu moottorin valittuun nimellistaajuuteen.</p>	 <p>DIP-kytkimen asetukset: HI FREQ = ON AI OFFSET = OFF (käyrä a) tai ON** (käyrä b) MOTOR NOM FREQ = 50 tai 60 Hz</p> <p>Lähtötaajuuden maksimiarvo määräytyy potentiometrin HI FREQ asetuksen mukaan välille f_N:n ja $f_N + 70$ Hz. Potentiometri ei vaikuta analogiatulosignaalin skaalaukseen.</p>
<p>* Valitse jännite- tai virtasignaali AI-siirtoliittimellä. Katso sivu 98.</p> <p>** Taajuusmuuttaja laukeaa vikaan, jos signaali laskee alle 2 V:n (4 mA:n). Toiminto suojaa taajuusmuuttajaa analogiatulosignaalin katkeamiselta.</p>	

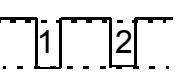
Tilaa ilmaisevat LED-valot ja vianhaku

ACS55:ssä on kaksi tilaa ilmaisevaa LED-valoa, jotka näkyvät etukannen läpi.

Jos taajuusmuuttaja havaitsee ongelman, punainen LED-valo alkaa vilkkua. Kun olet korjannut vian, kuittaa se kytkemällä käynnistyskäsky pois päältä.

Jos käynnistyskäsky on jo pois päältä, kytke se päälle ja uudelleen pois päältä.

Katso vikakoodit alla olevasta taulukosta (= vilkkumistaajuus).

Vihreä LED	Punainen LED	Kuvaus
Palaa	Ei pala	ACS55 toimii normaalisti.
Palaa	Vilkkuu Palaa Ei 	Suojatoiminto on aktivoitunut. Vilkkumisten lukumäärä ilmoittaa vikakoodin.
Vilkkuu	Vilkkuu	ACS55 kuittaa vian automaattisesti kolmen sekunnin kuluessa. (*) Varoitus! Moottori käynnistyy, jos käynnistyskäsky on päällä.

#	Vian mahdollinen syy ja korjaustoimet	#	Vian mahdollinen syy ja korjaustoimet
1	DC-ylijännite (*). 1) Verkkojännite on liian suuri: tarkista jännite. 2) Hidastusaika on liian lyhyt verrattuna hitausmassaan: nosta kiihdytys-/hidastusaikaa potentiometrillä.	7	Moottorin ylikuormitus (I^2t ylikuormia): 1) Tarkista kuorma ja varmista, että moottorin koko sopii ACS55:lle. 2) Varmista, että potentiometrin MOTOR I NOM asetus on oikein.
2	DC-alijännite (*). Verkkojännite on liian pieni: tarkista jännite.	8	Vaihtosuuntaajan ylikuormitus tai liian suuri sisäinen lämpötila: 1) Kuorma on liian suuri tai 2) taajuusmuuttajan jäähdytys ei ole riittävä.
3	Lähdön oikosulku: kytke jännite pois päältä ja tarkista moottorin käämitys ja moottorikaapeli.	9	Muu vika. Sisäinen virhe. Kytke jännite pois päältä ja uudelleen päälle. Jos ongelma ei poistu, vaihda laite.
4	Lähdön ylivirta. 1) Kiihdytysaika on liian lyhyt verrattuna hitausmassaan: aseta korkeampi arvo potentiometriin ACC/DEC. 2) Moottori ja taajuusmuuttaja eivät ole yhteensopivia: tarkista moottori.	10	Parametrisointivika. Huomautus: Molemmat LED-valot vilkkuvat. DIP-kytkimet on siirretty pois oletusasetuksesta sen jälkeen, kun taajuusmuuttaja on parametrisoitu DriveConfig-työkalulla. Palauta kytkimet oletusasentoon.
5	Ei käytössä	11	Taajuusmuuttajan teholähteenä on paristo. Taajuusmuuttajan tila ilmaisee vikaa, koska taajuusmuuttajaa ei voi käynnistää. Taajuusmuuttaja täytyy kytkeä verkkojännitteeseen, jotta sitä voi käyttää. Huomaa kuitenkin, että kun taajuusmuuttaja saa virtaa DriveConfig-sarjan syötöstä, DriveConfig-työkalun ja taajuusmuuttajan välinen yhteys on kunnossa.
6	Analogiatulon arvo on alle 4 mA/2 V. (*) Huomaa: Valvonta on aktiivinen, jos AI OFFSET -asetus on ON.	12	Taajuusmuuttajaa on ohjattu DriveConfig-työkalulla (tai muulla sovelluksella sarjaliitännän kautta), ja tiedonsiirtoyhteys on katkennut. Tarkista tiedonsiirtoyhteys.

(*) Automaattinen kuittaus, jos AUTORESET-asetus on päällä (ON). Katso [DIP-kytkimet](#) sivulla [94](#).

Tekniset tiedot

		230 V					115 V	
Sisäinen EMC-suodin, ACS55-01E-		01A4-2	02A2-2	04A3-2	07A6-2	09A8-2	01A4-1	02A2-1
Ei EMC-suodinta, ACS55-01N-		01A4-2	02A2-2	04A3-2	07A6-2	09A8-2	01A4-1	02A2-1
Moottorin jatkuva lähtöteho	kW	0,18	0,37	0,75	1,5	2,2	0,18	0,37
	hp	1/4	1/2	1	2	3	1/4	1/2
Runkokoko (ei EMC-suodinta)		A	A	B	C	C	A	A
Runkokoko (EMC-suodin)		A	A	B	D	D	A	A
Nimellisarvot								
Tulojännite U_1	V	200...240 (+10/-15 %)					110...120 (+10/-15 %)	
Jatkuva lähtövirta I_2	A	1,4	2,2	4,3	7,6	9,8	1,4	2,2
Maksimilähtövirta I_{2max}^*	A	2,1	3,3	6,5	11,4	14,7	2,1	3,3
Lähtöjännite U_2	V	0... U_1 , 3-vaiheinen					0... $2 \times U_1$, 3-vaiheinen	
Tulovirta I_1	A	4,4	6,9	10,8	18,2	22,0	6,4	9,5
KytKentätaajuus	KHz	5 (maks. 16)						
Suojausrajat								
Ylivirta (huippu)	A	4,4	6,9	13,5	23,9	30,9	4,4	6,9
Ylilämpö		95 °C (jäähdytyslementti)						
Kaapeleiden maksimikoot								
Teholiittimet	mm ²	2,5 (AWG 14)			4 (AWG 12)		2,5 (AWG 14)	
Ohjausliittimet	mm ²	1,5 (AWG 16)						
Häviöteho	W	21	32	51	74	103	24	35
Verkkosulakkeen koko**								
IEC, tyyppi IEC269 gG	A	10	16	16	25	32	10	16
UL, tyypit CC ja T	A	10	15	20	25	30	10	15
Paino, sisäinen EMC-suodin, ACS55-01E-	kg	0,65 (1,4)	0,7 (1,5)	0,9 (2)	1,6 (3,5)	1,7 (3,7)	0,65 (1,4)	0,7 (1,5)
Paino, ei EMC-suodinta, ACS55-01N-	kg	0,65 (1,4)	0,7 (1,5)	0,9 (2)	1,2 (2,6)	1,3 (2,9)	0,65 (1,4)	0,7 (1,5)

* Sallittu 1 minuutin ajan.

** Suositeltuja arvoja. Älä käytä UR- tai LOW-PEAK -sulakkeita. Noudata paikallisia ohjeita.

Moottorikaapelin maksimipituudet

Eurooppalaisten EMC-vaatimusten mukaan moottorikaapelin pituus ei saa ylittää alla olevassa taulukossa annettuja arvoja. Mitä lyhyempi moottorikaapeli on, sitä pienempiä ovat syöttöverkolle ja ympäristölle aiheutuvat häiriöt.

Muuttajatyyppi ACS55-01x-	KytKentätaajuus	
Sisäinen EMC-suodin	5 kHz	16 kHz ¹⁾
<i>EN61800-3, 1. käyttöympäristö, rajoittamaton jakelu</i> ²⁾		
01A4-2, ..., 04A3-2	10 m	3 m
01A4-1, 02A2-1	10 m	3 m
07A6-2, 09A8-2	10 m	3 m
<i>EN61800-3, 1. käyttöympäristö, rajoitettu jakelu</i> ³⁾		
01A4-2, ..., 04A3-2	10 m	10 m
01A4-1, 02A2-1	10 m	10 m
07A6-2, 09A8-2	20 m	10 m
<i>EN61800-3, 2. käyttöympäristö</i> ³⁾		
01A4-2, ..., 04A3-2	10 m	10 m
01A4-1, 02A2-1	10 m	10 m
07A6-2, 09A8-2	30 m	10 m

1) KytKentätaajuus voidaan valita DIP-kytkimellä. Katso sivu [95](#).

2) Pätee vain johtuviin häiriöihin.

3) Pätee johtuviin ja säteileviin häiriöihin.

Suojaukset

Ylijännite, alijännite, lähdön oikosulku, ylivirta, analogiatulon katkeaminen, moottorin ylikuormitus, vaihtosuuntaajan ylikuormitus.

Maadoittamattomat jakeluverkot

Taajuusmuuttajia, joissa on sisäinen EMC-suodin, ei saa käyttää kelluvassa verkossa tai korkeaimpedanssisesti maadoitetussa teollisuusverkossa.

Ympäristönäkökohtia

ACS55 sisältää arvokkaita raaka-aineita, jotka tulisi laittaa kierrätykseen, jotta säästettäisiin energiaa ja luonnonvaroja. Hävitys-/kierrätysohjeita saa ABB Oy:n myynti- ja huoltoyhtiöistä.

Vastuun rajoitus

Valmistaja ei vastaa:

- virheestä johtuvista kustannuksista, jos laitteen asennus, käyttöönotto, korjaus, muutostyöt tai käyttöympäristö eivät täytä niitä vaatimuksia, jotka on esitetty laitteen mukana toimitetuissa tai muissa asiaankuuluvissa asiakirjoissa
- laitteista, joita on käytetty virheellisesti, huolimattomasti tai joita on kohdannut onnettomuus
- laitteista, jotka sisältävät ostajan hankkimia materiaaleja tai ostajan edellyttämiä rakenteita.

Valmistaja, sen toimittajat tai alihankkijat eivät missään tapauksessa ole vastuussa välillisistä, epäsuorista tai seurannaisista vahingoista tai tappioista.

Kaikki ABB:n taajuusmuuttajia koskevat tiedustelut on osoitettava ABB Oy:n Kotimaan myyntiin tai ABB:n paikalliselle jälleenmyyjälle. Laitteen tekniset tiedot ovat voimassa tämän julkaisun painoajan kohtana. Valmistaja pidättää itsellään oikeuden muutoksiin ilman ennakoilmoitusta.

Hyväksynät

CE

ACS55 täyttää seuraavien eurooppalaisten direktiivien vaatimukset

- Pienjännitedirektiivi 73/23/EEC muutoksineen
- EMC-direktiivi 89/336/EEC muutoksineen

Asianmukaiset valmistajan vakuutukset ja luettelon tärkeimmistä standardeista saa pyynnöstä.

Sähkömagneettinen yhteensopivuus:

ACS55 täyttää seuraavien standardien vaatimukset, edellyttäen, että asennus on tehty oikein ja tässä oppaassa annettujen ohjeiden mukaisesti:

Johtuvat, suurtaajuiset häiriöt	SFS-EN61800-3, 1. käyttöympäristö, rajoittamaton/rajoitettu jakelu ¹⁾
Säteilevät, suurtaajuiset häiriöt	SFS-EN61800-3, 1. käyttöympäristö, rajoitettu jakelu
Häiriönsieto	SFS-EN61800-3, 2. käyttöympäristö
Verkkovirran yliaallot	IEC61000-3-2

1) Huomaa moottorikaapelin maksimipituutta ja kytkentätaajuutta koskevat kohdat sivulla [103](#). Katso myös kaapelointiohjeet sivulla [99](#).

Verkkovirran yliaaltotasoa voidaan laskea ulkoisilla tulokuristimilla.

UL-, cUL- ja C-Tick-merkinnät

Katso arvokilpi.

UL, cUL:

ACS55 sopii käytettäväksi verkossa, joka pystyy syöttämään enintään 65 kA rms symmetristä virtaa jännitteen ollessa maks. 230 V, kun suojaus tapahtuu CC- tai T-luokan sulakkeilla.

C-Tick:

Sähkömagneettisen yhteensopivuuden osalta katso kohtaa [CE](#) edellä.

Yhteensopivuus eurooppalaisen konedirektiivin kanssa

Taajuusmuuttaja täyttää Euroopan unionin konedirektiivin vaatimukset koneisiin yhdistettävälle laitteelle. Valmistajan vakuutus on saatavilla ABB:ltä.

Tuotesuojaus Yhdysvalloissa

Tämä tuote on suojattu yhdellä tai useammalla seuraavista US-patenteista.

4,920,306	5,301,085	5,463,302	5,521,483	5,532,568	5,589,754	5,612,604
5,654,624	5,799,805	5,940,286	5,942,874	5,952,613	6,094,364	6,147,887
6,175,256	6,184,740	6,195,274	6,229,356	6,252,436	6,265,724	6,305,464
6,313,599	6,316,896	6,335,607	6,370,049	6,396,236	6,448,735	6,498,452
6,552,510	6,597,148	6,600,290	6,741,059	6,774,758	6,844,794	6,856,502
6,859,374	6,922,883	6,940,253	6,934,169	6,956,352	6,958,923	6,967,453
6,972,976	6,977,449	6,984,958	6,985,371	6,992,908	6,999,329	7,023,160
7,034,510	7,036,223	7,045,987	7,057,908	7,059,390	7,067,997	7,082,374
7,084,604	7,098,623	7,102,325	7,109,780	7,164,562	7,176,779	7,190,599
7,215,099	7,221,152	7,227,325	7,245,197	7,250,739	7,262,577	7,271,505
7,274,573	7,279,802	7,280,938	7,330,095	7,349,814	7,352,220	7,365,622
7,372,696	7,388,765	7,408,791	7,417,408	7,446,268	7,456,615	7,508,688
7,515,447	7,560,894	D503,931	D510,319	D510,320	D511,137	D511,150
D512,026	D512,696	D521,466	D541,743S	D541,744S	D541,745S	
D548,182S	D548,183S	D573,090S				

Muita patenteja on haussa.

Lisävarusteet

Tulokuristimet: CHK-A1, CHK-B1, CHK-C1, CHK-D1

Lähtökuristin: ACS-CHK-B3, ACS-CHK-C3

Potentiometri: ACS55-POT

DriveConfig-sarja: saat lisätietoja ABB Oy:n paikallisilta edustajilta. Katso *DriveConfig-käyttöopas* [3AFE68910897 (englanninkielinen)].

Guide de l'utilisateur

des convertisseurs de fréquence ACS55 de 0,18 à 2,2 kW



Français FR

Informations sur les produits et les services

Adressez tout type de requête concernant le produit à votre correspondant ABB, en indiquant le code de type et le numéro de série de l'unité en question. Les coordonnées des services de ventes, d'assistance technique et de services ABB se trouvent à l'adresse www.abb.com/drives, en sélectionnant *Sales, Support and Service network* (Contact «Services» à l'international).

Formation sur les produits

Pour toute information sur les programmes de formation sur les produits ABB, rendez-vous sur www.abb.com/drives et sélectionnez *Training courses* (Formation).

Commentaires sur les manuels des variateurs ABB

Vos commentaires sur nos manuels sont les bienvenus. Rendez-vous sur www.abb.com/drives et sélectionnez *Document Library – Manuals feedback form (LV AC drives)*.

3AFE68929300 Rev C

FR

Date : 2010-04-12

ABB France

Division Produits Automation
Activité Moteurs, Machines & Drives
300, rue des Prés Seigneurs
Z.A. La Boisse - BP 90145
01124 Montluel Cedex
FRANCE
Téléphone 0 810 020 000
Télécopieur 0 810 100 000
Internet <http://www.abb.com/drives>

Consignes de sécurité

Vous devez lire attentivement les consignes suivantes avant d'installer le variateur.

Attention ! Tension dangereuse !

Seul un électricien qualifié est autorisé à installer l'ACS55.

N'intervenez jamais sur le variateur, le moteur ou son câblage sous tension. Après sectionnement de l'alimentation réseau, attendez toujours au moins 5 minutes pour que les condensateurs du circuit intermédiaire se déchargent avant d'intervenir sur le variateur.

Attention ! Si le dissipateur thermique (radiateur) n'est pas correctement mis à la terre, il y a un risque de choc électrique en cas de contact par toucher.

N.B. : Les commutateurs DIP sont sous tension dangereuse.

N.B. : Même avec le moteur à l'arrêt, des tensions dangereuses sont présentes sur les bornes L/R, N/S, T1/U, T2/V et T3/W.

N.B. : Même avec le variateur hors tension, des tensions dangereuses de source externe peuvent être raccordées aux bornes des sorties relais.

Attention ! Surfaces chaudes !

En cours d'exploitation, la plaque de refroidissement peut devenir très chaude (>80°C). Respectez les consignes d'installation.

Consignes de sécurité générales

L'ACS55 démarre le moteur automatiquement après coupure du courant si le signal de démarrage externe est activé.

N'essayez jamais de réparer vous-même un variateur endommagé. L'ACS55 n'est pas destiné à être réparé sur site. Contactez votre fournisseur pour un appareil de remplacement.

Installez l'ACS55 dans un local ou coffret verrouillable (clé ou outil).

Ne mettez pas l'appareil sous tension plus d'une fois toutes les 3 minutes.

Toute modification du réglage des commutateurs DIP affecte le fonctionnement et les performances de l'ACS55. Vérifiez au préalable l'absence de risques pour les personnes et les biens.

À propos de ce guide

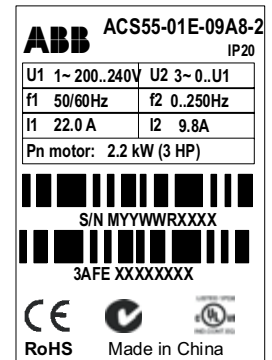
Ce guide fournit les informations nécessaires à l'installation et la mise en route de l'appareil.

Contrôle de réception

Sont inclus à la livraison :

1. l'ACS55 ;
2. ce guide de l'utilisateur ;
3. deux serre-câbles pour le câble de commande (appareils avec filtre RFI uniquement).

Vérifiez sur la plaque signalétique que l'appareil livré est conforme aux spécifications de la commande.



ACS55-01 - -

Filtre RFI : E = Intégré, N = Non

Courant de sortie en régime permanent maxi (I_2) :

01A4 = 1,4 A, 02A2 = 2,2 A, 04A3 = 4,3 A,

07A6 = 7,6 A, 09A8 = 9,8 A

Tension réseau (U_1) :

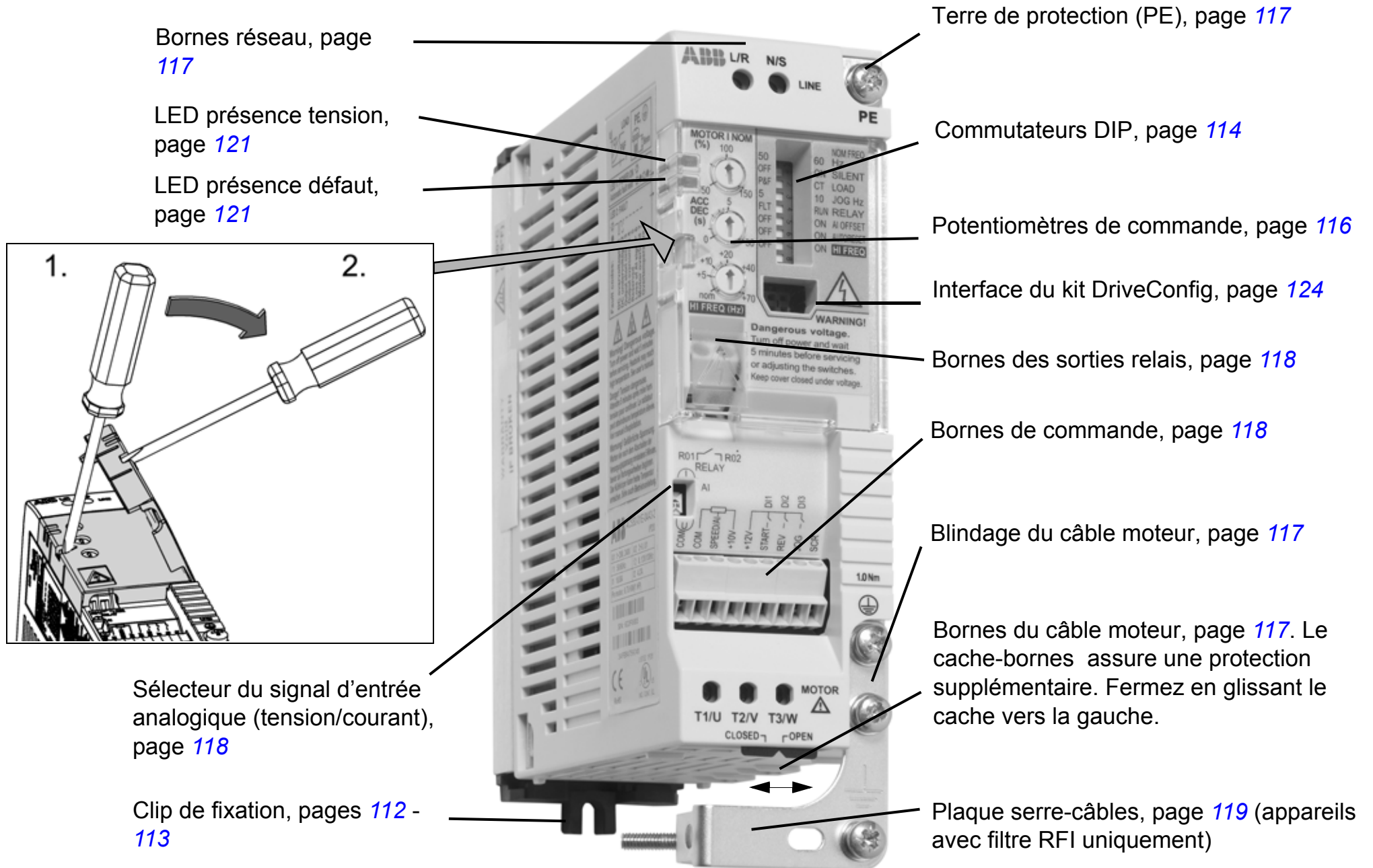
1 = 110...120 Vc.a. +10%/-15%

2 = 200...240 Vc.a. +10%/-15%

Le numéro de série (S/N) est imprimé sur la plaque signalétique. (M = site de fabrication, YY = année de fabrication, WW = semaine de fabrication, R = version du produit (A, B, C...), XXXX = nombre entier débutant chaque semaine à 0001)

Vue d'ensemble de l'ACS55

Le variateur ACS55 régule la vitesse d'un moteur asynchrone triphasé.



Étapes d'installation et de mise en route

Lisez les *Consignes de sécurité* page 107 avant de poursuivre.

	Action	Page
1	Procédez au contrôle de réception.	107
2	Vérifiez que les contraintes d'environnement de l'ACS55 sont respectées.	110
3	Montez le variateur.	112 - 113
4	Vérifiez l'adéquation des réglages standard : la fréquence nominale moteur est 50 Hz ; la charge entraînée est une pompe ou un ventilateur ; la fréquence de sortie maximale est 50 Hz. Si les réglages standard ne conviennent pas, ajustez le réglage des commutateurs DIP.	114
5	Assurez-vous que le réglage du potentiomètre MOTOR I NOM correspond au courant nominal du moteur. Il détermine le mode d'utilisation de la fonction de protection thermique du moteur.	116
6	Au besoin, réglez le potentiomètre de temps d'accélération/de décélération ACC/DEC.	116
7	Raccordez le câble d'alimentation et les câbles moteur.	117
8	Raccordez les fils de commande.	118
9	Mettez le variateur sous tension. La LED verte s'allume. N.B. : Le moteur tourne si le signal de démarrage est activé.	
10	Réglez la référence de vitesse et activez le signal de démarrage. Le moteur accélère jusqu'à la référence de vitesse réglée.	120

Mesure de la résistance d'isolement de l'installation

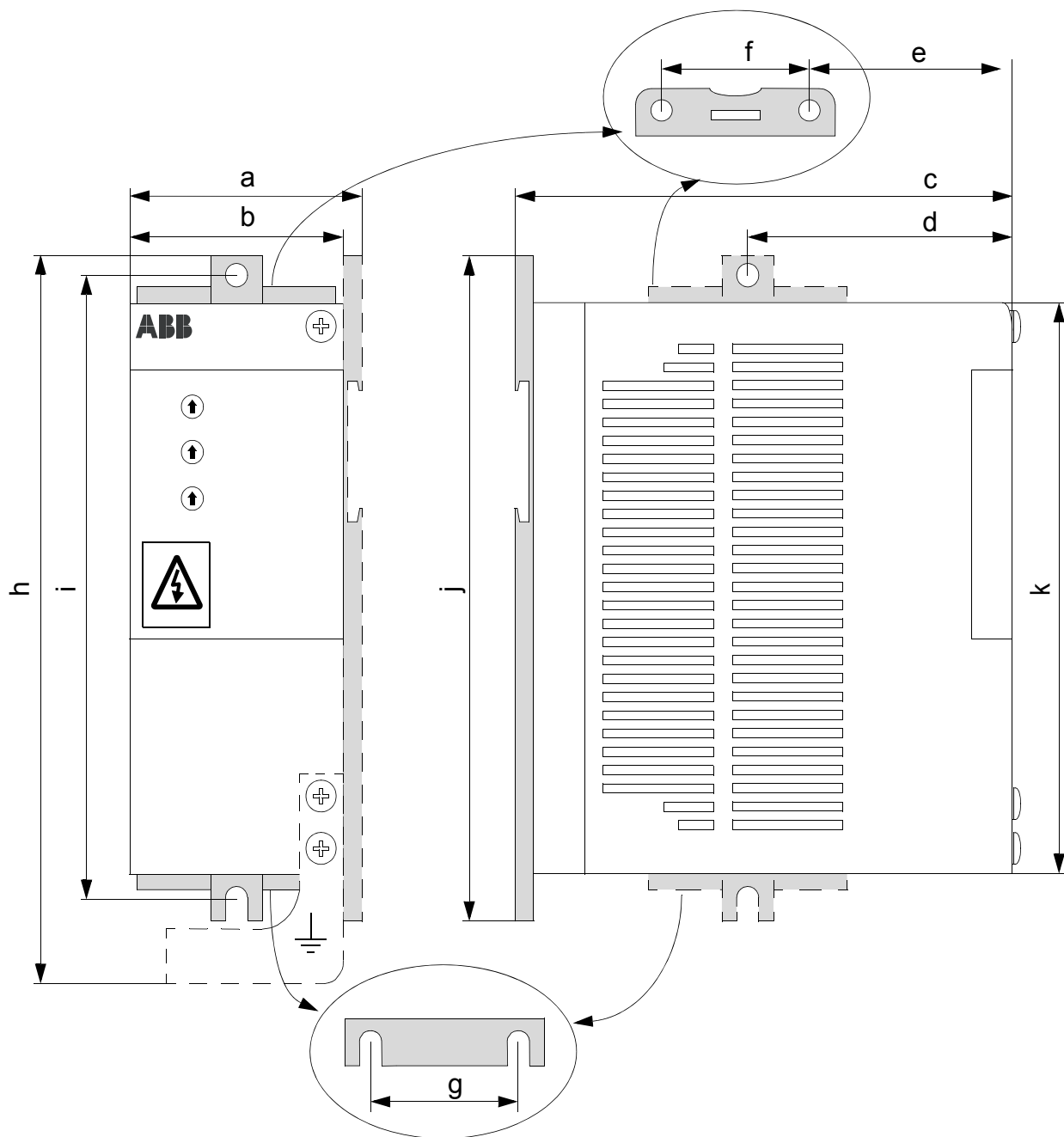
Vous ne devez procéder à aucun essai de tension diélectrique ou de résistance d'isolement sur une partie du variateur, ce type d'essai pouvant endommager le variateur. La résistance d'isolement entre l'étage de puissance et le châssis de chaque variateur a été vérifiée en usine. De même, le variateur renferme des circuits limiteurs de tension qui réduisent automatiquement la tension d'essai.

Contraintes d'environnement

	Site d'installation	Stockage et transport dans l'emballage d'origine	
Température de l'air	-20°C (-4°F), sans givre ¹⁾ +40°C (104°F), à charge nominale +50°C (122°F), si le courant de sortie en régime permanent est égal à 85 % maxi du courant de sortie nominal I_2 +55°C (131°F), si le courant de sortie en régime permanent est égal à 75 % maxi du courant de sortie nominal I_2	-40°C (-40°F) à +70°C (158°F)	
Altitude	0...2000 m (0...6,600 ft). Entre 1000 et 2000 m (3,300 et 6,600 ft), P_N et I_2 sont déclassés de 1 % par tranche de 100 m supplémentaire.	Aucune limite	
Humidité relative	Inférieure à 95 %, sans condensation	Inférieure à 95 %, sans condensation	
Niveaux de contamination (CEI 60721-3-3)	<ul style="list-style-type: none"> • Pas de poussières conductrices • L'air doit être propre, exempt d'agents corrosifs et de poussières conductrices. • Gaz chimiques : classe 3C2 • Particules solides : classe 3S2 	Stockage	Transport
		<ul style="list-style-type: none"> • Pas de poussières conductrices • Gaz chimiques : classe 1C2 • Particules solides : classe 1S2 	<ul style="list-style-type: none"> • Pas de poussières conductrices • Gaz chimiques : classe 2C2 • Particules solides : classe 2S2
Vibrations sinusoïdales (CEI 60068-2-6)	Plage de fréquence : 5 à 150 Hz Accélération maxi constante : 1 g	Conforme à la spécification ISTA 1A	
Chocs (CEI 60068-2-29)	Non autorisés	Maxi 100 m/s ² (330 ft/s ²), 11 ms (36 fts)	
Chute libre	Non autorisée	Non autorisée	

1) Si le variateur doit fonctionner à des températures au-dessous de zéro, il doit rester sous tension. Montez le variateur dans une enveloppe en vous assurant que la chaleur qu'il produit est correctement dissipée.

Degré de protection de l'ACS55 : IP20.



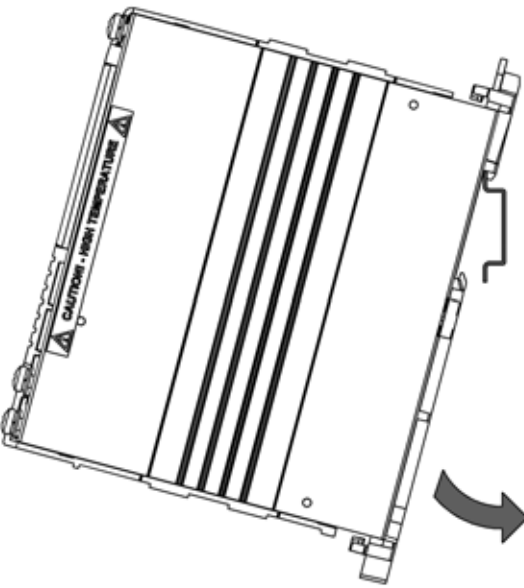
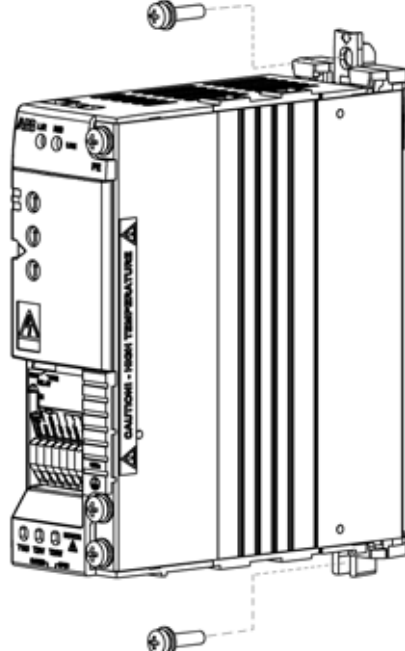
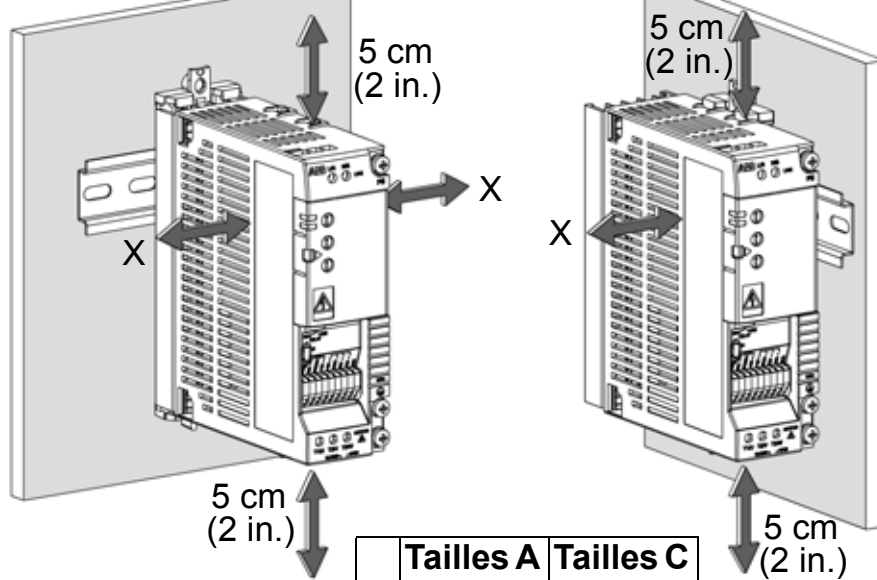
	Taille A mm (in.)	Taille B mm (in.)	Taille C mm (in.)	Taille D mm (in.)
a	53 (2,09)	72 (2,83)	74 (2,91)	74 (2,91)
b	45 (1,77)	67,5 (2,66)	70 (2,76)	70 (2,76)
c	128 (5,04)	128 (5,04)	159 (6,26)	159 (6,26)
d	67,5 (2,66)	67,5 (2,66)	-	-
e	-	-	77 (3,03)	77 (3,03)
f	-	-	40 (1,57)	40 (1,57)
g	-	-	40 (1,57)	40 (1,57)
h	183 (7,20)	183 (7,20)	-	230 (9,06)
i	156 (6,14)	156 (6,14)	182 (7,17)	214 (8,43)
j	170 (6,69)	170 (6,69)	194 (7,64)	226 (8,90)
k	146,5 (5,77)	146,5 (5,77)	171 (6,73)	203 (7,99)

Montage

Attention ! Le variateur atteint des températures élevées en fonctionnement normal. L'air de refroidissement doit circuler librement en toutes circonstances :

- L'ACS55 doit toujours être monté avec les ailettes de refroidissement à la verticale.
- Ménagez un dégagement suffisant autour des appareils de tailles A et B. Les appareils de tailles C et D étant refroidis par ventilateur, ils peuvent être montés côte à côte sans espace intermédiaire.

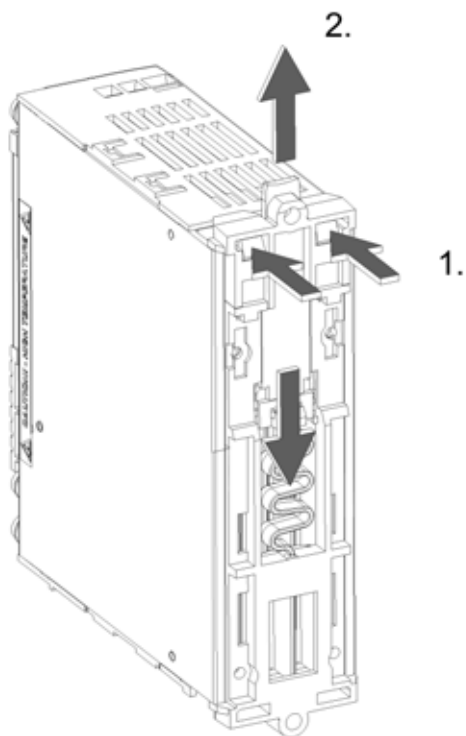
Montez le variateur avec le clip de fixation sur un rail DIN de 35 mm ou sur une paroi.

Fixation sur rail DIN Encliquez l'ACS55 sur le rail. Pour le démonter, enfoncez le levier en haut du clip de fixation.	Fixation sur paroi Fixez le variateur sur la paroi à l'aide du clip de fixation. Utilisez des vis M4.	Distances de dégagement Ménagez toujours un espace suffisant autour du variateur pour son refroidissement.						
		 <table border="1" data-bbox="1590 1252 1937 1428"> <thead> <tr> <th></th> <th>Tailles A et B cm (in.)</th> <th>Tailles C et D cm (in.)</th> </tr> </thead> <tbody> <tr> <td>X</td> <td>1,5 (0.6)</td> <td>0 (0)</td> </tr> </tbody> </table>		Tailles A et B cm (in.)	Tailles C et D cm (in.)	X	1,5 (0.6)	0 (0)
	Tailles A et B cm (in.)	Tailles C et D cm (in.)						
X	1,5 (0.6)	0 (0)						

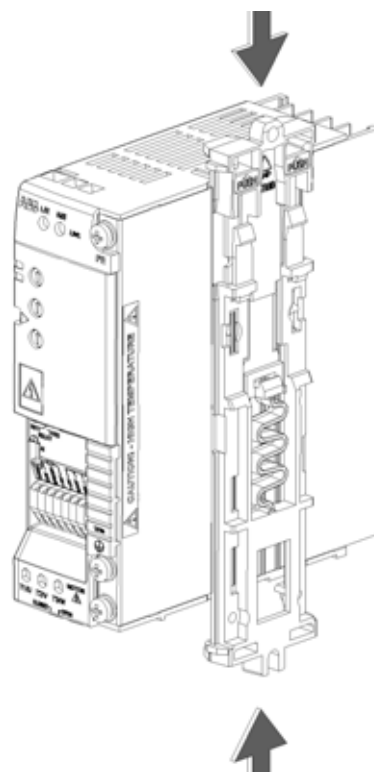
Montage et démontage du clip de fixation sur paroi

Le variateur peut être fixé sur une paroi par sa face arrière ou sa face latérale. Montez le clip de fixation sur la face choisie. Cf. instructions ci-dessous pour les tailles A et B. Sur les appareils de tailles C et D, tirez le clip de fixation vers le bas pour le démonter et poussez-le vers le haut pour le monter.

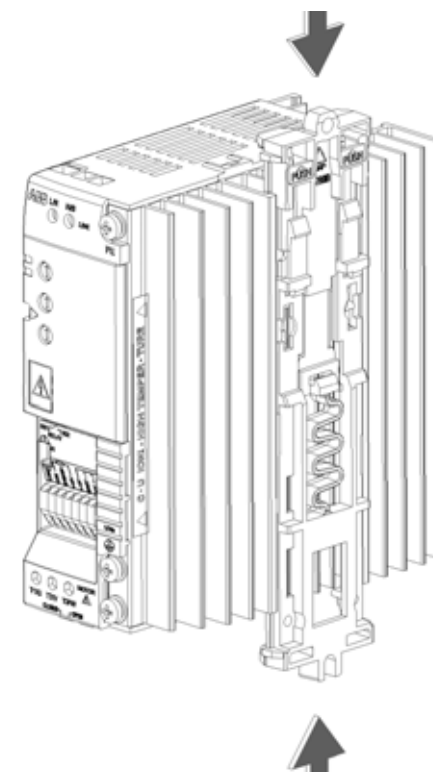
Démontage du clip de fixation, tailles A et B : enfoncez les deux taquets de plastique pour séparer la partie supérieure du clip de sa partie inférieure.



Montage du clip de fixation, taille A : Placez les deux parties comme illustré et encliquez-les.



Montage du clip de fixation, taille B : Insérez les deux parties entre les ailettes de refroidissement et encliquez-les.



Commutateurs DIP

Les commutateurs DIP servent à configurer l'ACS55 en fonction du moteur et de l'application.



Attention ! Les commutateurs DIP sont sous tension dangereuse (200 V). Mettez le variateur hors tension et attendez 5 minutes avant de régler les commutateurs. Le capot de protection de l'ACS55 doit rester fermé lorsqu'il est sous tension.

Configuration

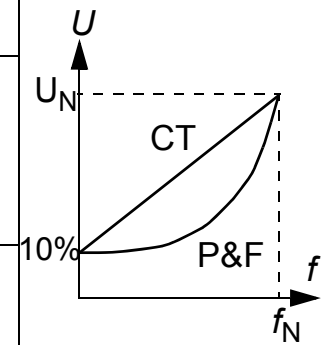
- Ouvrez le capot avant avec la pointe d'un tournevis et réglez les commutateurs DIP.
- Basculez le commutateur à droite ou à gauche avec la pointe d'un tournevis. En pré-réglage usine, tous les commutateurs sont à gauche.
- Refermez le capot avant.

Informations de base

Commutateurs DIP	#	Nom et fonction	Préréglage	Autre
			usine	réglage
	1	NOM FREQ HZ : Fréquence nominale du moteur	50 Hz	60 Hz
	2	SILENT : Niveau sonore du moteur (fréquence de découpage MLI)	OFF - Niveau normal (5 kHz)	ON - Niveau silencieux (16 kHz)
	3	LOAD : Type de couple de charge (courbe U/f)	P&F - Pompe / ventilateur	CT - Couple constant
	4	JOG HZ : Fréquence constante pour la fonction Jog	5 Hz	10 Hz
	5	RELAY : Fonctionnement de la sortie relais	FLT - Défaut	RUN - Moteur en marche
	6	AI OFFSET : Valeur mini de l'entrée analogique	OFF - 0 mA (0 V)	ON - 4 mA (2 V)
	7	AUTORESET : Fonction de réarmement automatique des défauts	OFF - Pas de réarmement auto	ON - Réarmement auto activé
	8	HI FREQ : Mode Haute fréquence	OFF - Standard	ON - Mode Haute fréquence activé

Informations complémentaires

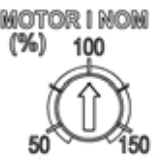

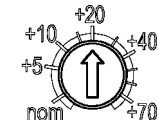
N°	Nom	Information
1	NOM FREQ Hz	Définit la fréquence nominale du moteur (cf. plaque signalétique du moteur).
2	SILENT	Définit la fréquence de découpage du variateur. N.B. : Plus la fréquence est élevée, plus le bruit électromagnétique est important et plus court doit être le câble moteur au titre de la réglementation européenne sur la CEM. Cf. Caractéristiques techniques page 122. N.B. : La fréquence de découpage varie en fonction de la température de l'ACS55.
3	LOAD	Optimise la courbe caractéristique tension de sortie/fréquence selon la charge. Sélectionnez P&F pour un couple quadratique (ex. pompes et ventilateurs) et CT pour les charges à couple constant (ex. convoyeurs). L'ACS55 augmente automatiquement de 10 % la tension au démarrage pour compenser les pertes moteur et augmenter le couple de démarrage.
4	JOG Hz	Définit la fréquence Jog. Activez la fonction Jog en raccordant 12...24 Vc.c. sur l'entrée logique 3 (« JOG »). (Le variateur accélère ou décélère jusqu'à la fréquence Jog et s'y maintient jusqu'à désactivation de l'entrée.)
5	RELAY	Sélectionne l'état du variateur indiqué par le contact n.o. de la sortie relais. FLT = Défaut. Le contact est ouvert si le variateur est en défaut ou hors tension. RUN = En marche. Le contact est fermé quand le variateur est en marche.
6	AI OFFSET	Active une supervision de la fonction « zéro effectif » pour l'entrée analogique. 4 mA (2 V) = l'ACS55 déclenche sur défaut si la valeur passe sous cette limite. Cf. section Régulation de la vitesse page 120 pour des détails sur la mise à l'échelle de l'entrée analogique.
7	AUTO- RESET	Active la fonction de réarmement automatique pour les défauts suivants : sous-tension, surtension, perte de l'entrée analogique. ON = l'ACS55 essaiera de réarmer automatiquement 3 secondes après le déclenchement sur défaut. Nombre maxi de réarmements : 10 en 3 minutes. Au-delà, l'ACS55 s'arrête sans plus aucune tentative de réarmement. Cf. également Affichage d'état et identification des défauts page 121. Attention ! Si le signal de démarrage est activé, le moteur redémarre après un réarmement. Assurez-vous que cela ne présente aucun risque.
8	HI FREQ	Définit la fréquence de sortie maxi. OFF : fréquence maxi = valeur définie par le commutateur NOM FREQ HZ. ON : fréquence maxi = valeur définie par le commutateur NOM FREQ HZ + valeur du potentiomètre HI FREQ. Cf. Potentiomètres de commande page 116.



Pour en savoir plus, cf. document anglais *DriveConfig User's Guide* (3AFE68910897).

Potentiomètres de commande

Les potentiomètres de commande sont réglés au moyen d'un tournevis. En pré-réglage usine, tous les potentiomètres se trouvent en position centrale.

 <p>MOTOR I NOM (%)</p>	MOTOR I NOM	<p>Calculez MOTOR I NOM (courant nominal du moteur) avec l'équation suivante ou relevez la valeur MOTOR I NOM dans le graphique ci-dessous. L'ACS55 évalue la température du moteur sur la base du courant de sortie mesuré et du courant nominal du moteur défini. Le variateur déclenche si la température ainsi déterminée révèle un échauffement anormal du moteur.</p> <p>N.B. : Si, par leur longueur, les câbles moteur induisent des courants capacitifs importants, vous devrez peut-être augmenter le réglage de MOTOR I NOM.</p> $\text{MOTOR I NOM (\%)} = \frac{\text{Courant nominal moteur [A]}}{\text{Courant nominal ACS55 [A]}} \cdot 100\%$
 <p>ACC/DEC (s)</p>	ACC/DEC	<p>Définition du temps d'accélération et de décélération entre la fréquence mini et la fréquence maxi, et vice versa, en secondes. Plus le temps ACC/DEC est long, moins vite l'ACS55 suivra la référence donnée.</p>
 <p>HI FREQ (Hz)</p>	HI FREQ	<p>Limitation de la fréquence de sortie à une valeur réglée entre la fréquence nominale et la fréquence nominale + 70 Hz. Pour utiliser ce potentiomètre, activez le mode Haute fréquence avec le commutateur DIP HI FREQ. Cf. Commutateurs DIP page 114.</p>

Graphique de sélection MOTOR I NOM

Courant nominal moteur (A)

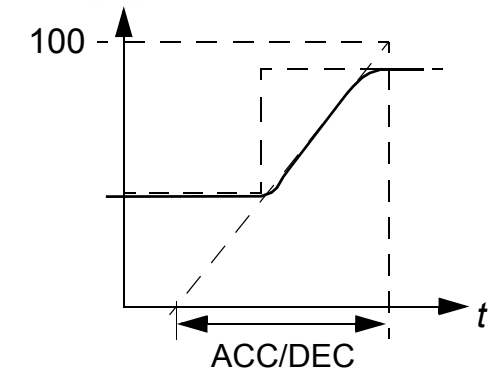
ACS55-01x-

-01A4-x	0,7	0,8	1,0	1,2	1,4	1,6	1,8	2,0	2,1		
-02A2-x	1,1	1,3	1,5	1,8	2,0	2,2	2,4	2,6	2,8	3,0	3,3
-04A3-x	2,2	2,6	3,0	3,5	4,0	4,3	4,7	5,2	5,6	6,0	6,5
-07A6-x	3,8	4,6	5,3	6,1	6,8	7,6	8,4	9,3	10,2	11,4	
-09A8-x	4,9	5,9	6,9	7,8	8,8	9,8	10,8	12,0	13,3	14,7	

MOTOR I NOM 50 60 70 80 90 100 110 120 130 140 150%

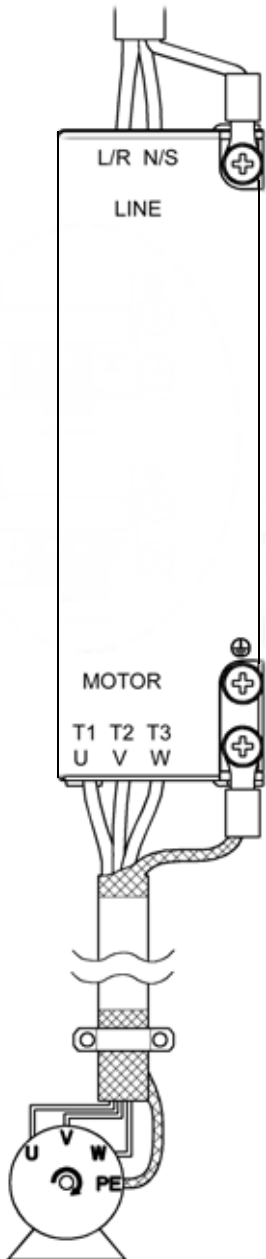
Temps ACC/DEC

Réf. [%]




Raccordement de l'alimentation et du moteur

Tension d'entrée
monophasée



⚠ Attention ! Avant de procéder aux raccordements, vérifiez que le variateur est hors tension.

N.B. : Vérifiez le niveau de tension du réseau ! Si vous raccordez un ACS55 calibré pour un réseau 115 Vc.a. sur un réseau 230 Vc.a., il sera endommagé !

Borne	Description	Section des conducteurs	Couple de serrage
L/R, N/S	Réseau monophasé	Câble à quatre conducteurs de 2,5 mm ² maxi (tailles A et B) ou 4 mm ² maxi (tailles C et D)	0,5 Nm
T1/U, T2/V, T3/W	Bornes moteur		
PE 	Terre de protection Blindage et conducteur de protection du câble moteur	Utilisez des conducteurs cuivre multibrins. La section du conducteur ne doit pas être inférieure à celle du câble de puissance utilisé.	1 Nm

Attention ! Si le radiateur n'est pas correctement mis à la terre, il y a un risque de choc électrique en cas de contact par toucher.

N.B. : Utilisez uniquement les vis à tête universelle M4x8 fournies. La profondeur d'insertion maxi autorisée des vis de mise à la terre est de **6 mm**.

Respectez la réglementation en vigueur pour les sections des câbles. Utilisez des câbles de puissance résistant à 60 °C (140 °F) ou 75 °C (167 °F) si la température ambiante est supérieure à 30 °C (86 °F). Cf. également [Consignes supplémentaires pour le câblage et la CEM](#) page 119.

Le courant de fuite à la terre de l'ACS55 peut dépasser 3,5 mA c.a./10 mA c.c. Conformément à la norme EN50178, l'ACS55 peut uniquement être utilisé dans une installation à poste fixe.

Fusible réseau

Pour les types de fusible conseillés, cf. [Caractéristiques techniques](#) page 122.

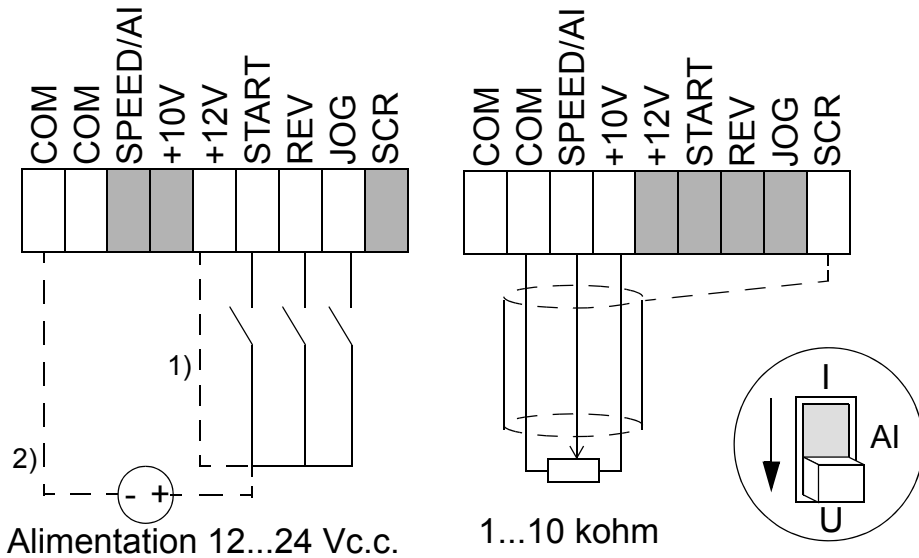
Moteur

Le moteur doit être un moteur asynchrone triphasé de tension nominale U_N entre 200 et 240 V et de fréquence nominale f_N 50 ou 60 Hz. Le courant nominal du moteur doit être inférieur ou égal au courant de sortie nominal (I_2) du variateur.

Si les phases sont raccordées dans l'ordre U-U, V-V et W-W et si le sens de rotation sélectionné est avant, l'arbre moteur tourne dans le sens horaire vu côté accouplement.

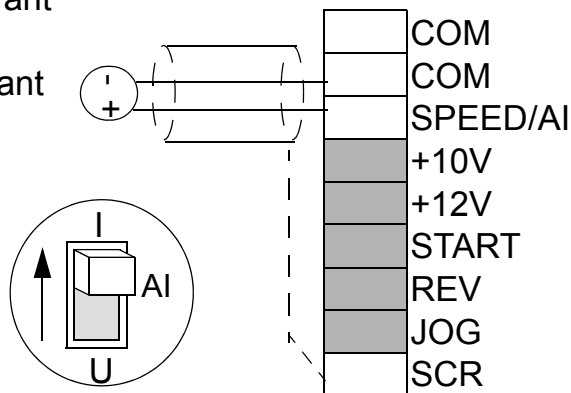
Raccordement des fils de commande

L'alimentation interne (1) ou externe (2) peut être utilisée pour les entrées logiques. La tension de commande analogique préréglée en usine est 0...10 Vc.c. (Le cavalier AI doit être sur la position tension («U»)).



Utilisation du signal en courant 0/4...20 mA : - Basculez le cavalier AI en position courant («I»).

- Réglez le commutateur AI OFFSET sur ON pour sélectionner le signal en courant 4...20 mA.



Bornes de commande

- Section du conducteur : multiconducteur 0,25...1,5 mm² (23 à 16 AWG)
- Couple de serrage : 0,25 Nm.

#	Nom	Description
1	COM	Commun pour entrées logiques ou analogiques ¹⁾
2	COM	Commun pour entrée logique ou analogique ¹⁾
3	AI	Entrée analogique : référence vitesse (fréquence) 0/2...10 Vc.c. (Re=190 kohm), ou 0/4...20 mA (Re=100 ohm). Résolution 0,1 %, précision +/-1 %.
4	+10V	Tension de référence pour entrée analogique Précision +/-2 %. Maxi 10 mA
5	+12V	Tension auxiliaire pour entrées logiques. Maxi 30 mA
6	START	Entrée logique 1 : Démarrage (réarme le variateur après un déclenchement sur défaut) ²⁾
7	REV	Entrée logique 2 : Inversion du sens de rotation ²⁾
8	JOG	Entrée logique 3 : Activation de la vitesse Jog ²⁾
9	SCR	Terre pour le blindage du câble des signaux Connectée en interne à la terre du châssis
Sortie relais		
1	RO1	Défaut : ouverture du relais. 12 V...250 Vc.a. / 30 Vc.c. 10 mA...2 A
2	RO2	

1) Raccordement interne au châssis (terre) par résistance 1 Mohm

2) Impédance des entrées logiques : 1,5 kohm

Consignes supplémentaires pour le câblage et la CEM

Consignes à respecter pour le bon fonctionnement du variateur et la conformité à la directive européenne sur la CEM.

Câble moteur

Le câble moteur doit être un câble à trois conducteurs symétriques avec conducteur PE coaxial ou un câble à quatre conducteurs avec blindage coaxial. Un blindage métallique tressé est conseillé, ex. : type MCCMK (câbles NK).

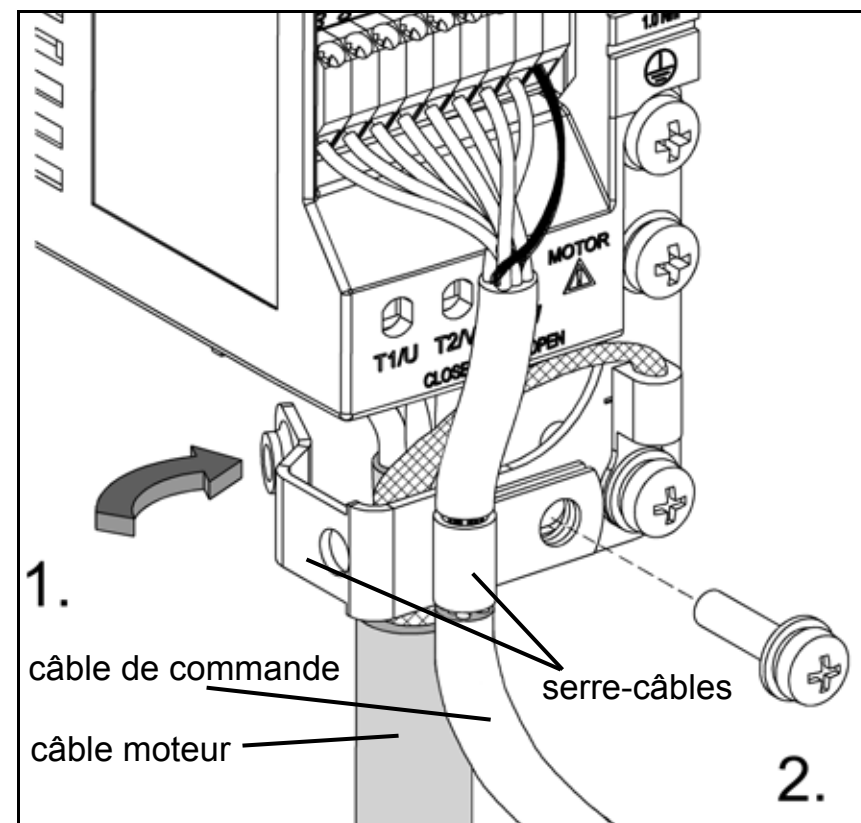
- Torsadez en un faisceau les fils du blindage du câble que vous raccordez à la borne de terre \perp . Le faisceau doit être aussi court que possible.
- Fixez le blindage du câble comme illustré ci-contre lorsqu'un filtre RFI interne ou externe est utilisé.
- Côté moteur, effectuez une reprise de masse sur 360° du blindage du câble moteur avec un presse-étoupes CEM ou torsadez tous les fils du blindage en un faisceau dont la longueur n'excède pas 5 fois sa largeur et que vous raccordez à la borne PE du moteur.

Câbles de commande

Les câbles de commande doivent être des câbles multibrins avec un blindage de fils de cuivre tressés. Un câble à deux paires torsadées blindées est conseillé pour les signaux analogiques.

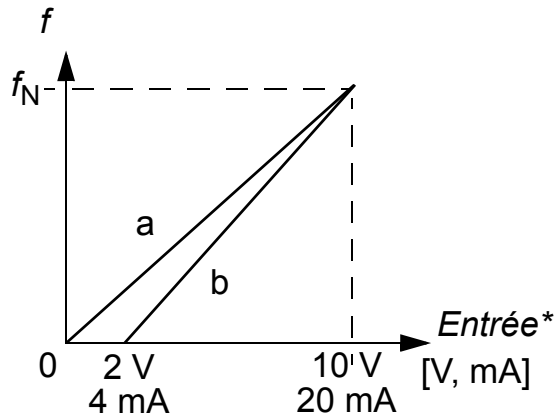
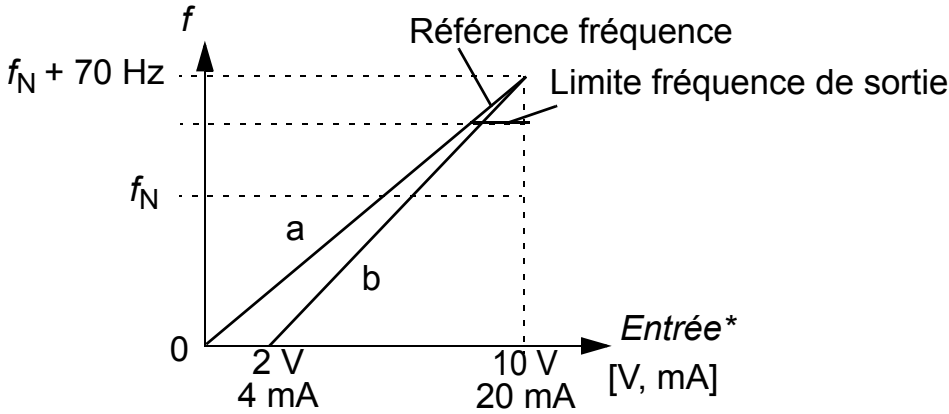
- Torsadez en un faisceau le blindage que vous raccordez à la borne SCR. Le faisceau doit être aussi court que possible.
- Fixez le câble de commande comme illustré ci-contre (appareils conformes CEM uniquement).
- Le câble moteur doit cheminer à une certaine distance des fils de commande et du câble d'alimentation pour prévenir les perturbations électromagnétiques (distance > 20 cm).

N.B. : Ne réunissez jamais des signaux 24 Vc.c. et 115/230 Vc.a. dans un même câble.



Régulation de la vitesse

La référence vitesse (fréquence) est donnée à l'ACS55 sur l'entrée analogique. La correspondance entrée analogique/référence dépend du réglage des commutateurs DIP comme illustré ci-dessous. La fréquence de sortie suit l'évolution de la référence selon le réglage du potentiomètre ACC/DEC.


Mode Haute fréquence désactivé OFF (préréglage usine)	Mode Haute fréquence activé ON
 <p>Réglage des commutateurs DIP :</p> <ul style="list-style-type: none"> HI FREQ = OFF AI OFFSET = OFF (courbe a) ou ON** (courbe b) MOTOR NOM FREQ = 50 ou 60 Hz <p>La fréquence de sortie est limitée à la fréquence nominale réglée du moteur.</p>	 <p>Réglage des commutateurs DIP :</p> <ul style="list-style-type: none"> HI FREQ = ON AI OFFSET = OFF (courbe a) ou ON** (courbe b) MOTOR NOM FREQ = 50 ou 60 Hz <p>La fréquence de sortie réelle est limitée à la valeur entre f_N et $f_N + 70$ Hz par le potentiomètre HI FREQ. Le potentiomètre n'a pas d'incidence sur la mise à l'échelle de l'entrée analogique.</p>
<p>* Utilisez le cavalier AI pour sélectionner le signal en tension ou en courant. Cf. page 118.</p> <p>** Pour assurer sa protection en cas de perte du signal d'entrée analogique, le variateur déclenche si la valeur du signal est inférieure à 2 V (4 mA).</p>	

Affichage d'état et identification des défauts

L'ACS55 intègre deux LED d'état visibles par le capot avant.

Si le variateur détecte un problème, la LED rouge clignote. Une fois le problème résolu, réarmez le variateur en désactivant le signal de démarrage. S'il est déjà désactivé, activez-le et désactivez-le à nouveau.

Cf. tableau ci-dessous pour les messages de défaut (= nombre de clignotements de la LED).

LED verte	LED rouge	Description
Allumée	Éteinte	L'ACS55 fonctionne normalement.
Allumée	Clignotante ON  OFF	La fonction de protection a été activée. Le nombre de clignotements détermine le message de défaut.
Clignotante	Clignotante	L'ACS55 réarmera automatiquement dans les 3 secondes. (*) Attention ! Le moteur démarrera si le signal de démarrage est activé.

#	Origines probables et interventions préconisées	#	Origines probables et interventions préconisées
1	Sur tension c.c. (*). 1) Tension réseau trop élevée : vérifiez l'alimentation réseau. 2) Le temps de rampe de décélération est trop court pour l'inertie de la charge : augmentez le temps ACC/DEC avec le potentiomètre.	7	Surcharge moteur (surcharge I^2t) : 1) Vérifiez la charge et la compatibilité de la taille du moteur avec l'ACS55. 2) Vérifiez que le réglage du potentiomètre MOTOR I NOM est correct.
2	Sous-tension c.c. (*). Tension réseau trop faible : vérifiez l'alimentation réseau.	8	Surcharge variateur ou température interne excessive : 1) La charge est trop élevée ou 2) le refroidissement du variateur est insuffisant.
3	Court-circuit moteur : Mettez le variateur hors tension et vérifiez les enroulements et le câble moteur.	9	Autre défaut. Erreur interne. Mettez hors tension, puis à nouveau sous tension. Si le problème persiste, remplacez le variateur.
4	Surintensité moteur. 1) Le temps d'accélération est trop court pour l'inertie de la charge : augmentez le temps ACC/DEC avec le potentiomètre. 2) Incompatibilité moteur/variateur : vérifiez le moteur.	10	Erreur de paramétrage. N.B. : Les deux LED clignoteront. Le pré-réglage usine des commutateurs DIP a été modifié après réglage du variateur avec l'outil DriveConfig. Ramenez les commutateurs sur leur pré-réglage usine.
5	Réservé	11	Le variateur est alimenté par batterie. Il déclenche sur défaut car le démarrage est impossible. Pour pouvoir fonctionner, le variateur doit être raccordé au réseau. Cependant, quand le variateur est alimenté par le kit DriveConfig, le raccordement entre DriveConfig et le variateur est correct.
6	La valeur de l'entrée analogique est inférieure à 4 mA/2 V. (*) N.B. : Cette supervision est active si AI OFFSET est activé.	12	Le variateur a été contrôlé par DriveConfig (ou application similaire par liaison série) et la communication a été interrompue. Vérifiez la communication.

(*) Réarmement automatique si AUTORESET est sur ON. Cf. [Commutateurs DIP](#) page 114.

Caractéristiques techniques

		230 V					115 V	
Filtre RFI intégré, ACS55-01E-		01A4-2	02A2-2	04A3-2	07A6-2	09A8-2	01A4-1	02A2-1
Sans filtre RFI, ACS55-01N-		01A4-2	02A2-2	04A3-2	07A6-2	09A8-2	01A4-1	02A2-1
Puissance utile du moteur en régime permanent	kW	0,18	0,37	0,75	1,5	2,2	0,18	0,37
	hp	1/4	1/2	1	2	3	1/4	1/2
Taille (sans filtre RFI)		A	A	B	C	C	A	A
Taille (filtre RFI intégré)		A	A	B	D	D	A	A
Valeurs nominales								
Tension réseau U_1	V	200...240 (+10/-15%)					110...120 (+10/-15%)	
Courant de sortie en régime permanent (I_2) :	A	1,4	2,2	4,3	7,6	9,8	1,4	2,2
Courant de sortie maxi $I_{2\text{maxi}}^*$	A	2,1	3,3	6,5	11,4	14,7	2,1	3,3
Tension de sortie U_2	V	0... U_1 , triphasée					0... $2 \times U_1$, triphasée	
Courant d'entrée I_1	A	4,4	6,9	10,8	18,2	22,0	6,4	9,5
Fréquence de découpage	kHz	5 (maxi 16)						
Limites de protection								
Surintensité (crête)	A	4,4	6,9	13,5	23,9	30,9	4,4	6,9
Échauffement anormal		95°C / 203°F (radiateur)						
Section maxi des fils								
Bornes de puissance	mm ²	2,5 (AWG 14)			4 (AWG 12)		2,5 (AWG 14)	
Bornes de commande	mm ²	1,5 (AWG 16)						
Dissipations de puissance	W	21	32	51	74	103	24	35
Calibre des fusibles réseau**								
CEI, type CEI269 gG	A	10	16	16	25	32	10	16
UL, types CC et T	A	10	15	20	25	30	10	15
Masse, filtre RFI intégré, ACS55-01E-	kg (lb)	0,65 (1,4)	0,7 (1,5)	0,9 (2)	1,6 (3,5)	1,7 (3,7)	0,65 (1,4)	0,7 (1,5)
Masse, sans filtre RFI, ACS55-01N-	kg (lb)	0,65 (1,4)	0,7 (1,5)	0,9 (2)	1,2 (2,6)	1,3 (2,9)	0,65 (1,4)	0,7 (1,5)

* Autorisé pendant 1 minute.

** Valeurs conseillées. N'utilisez pas de fusibles ultrarapides ou à faible courant crête. Respectez la réglementation en vigueur.

Longueurs maxi du câble moteur

Conformément à la réglementation européenne CEM, la longueur du câble moteur est limitée selon le tableau suivant. Plus le câble moteur est court, plus faibles sont les perturbations émises dans le réseau et l'environnement.

Type de variateur ACS55-01x-	Fréquence de découpage	
	5 kHz	16 kHz ¹⁾
Filtre RFI intégré	5 kHz	16 kHz ¹⁾
<i>EN61800-3, premier environnement, distribution non restreinte ²⁾</i>		
01A4-2, ..., 04A3-2	10 m	3 m
01A4-1, 02A2-1	10 m	3 m
07A6-2, 09A8-2	10 m	3 m
<i>EN61800-3, premier environnement, distribution restreinte ³⁾</i>		
01A4-2, ..., 04A3-2	10 m	10 m
01A4-1, 02A2-1	10 m	10 m
07A6-2, 09A8-2	20 m	10 m
<i>EN61800-3, deuxième environnement ³⁾</i>		
01A4-2, ..., 04A3-2	10 m	10 m
01A4-1, 02A2-1	10 m	10 m
07A6-2, 09A8-2	30 m	10 m

1) La fréquence de découpage peut être sélectionnée avec le commutateur DIP. Cf. page [115](#).

2) S'applique uniquement aux émissions conduites.

3) S'applique aux émissions conduites et rayonnées.

Protections

Surtension, sous-tension, court-circuit moteur, surintensité, perte de l'entrée analogique, surcharge moteur, surcharge variateur

Réseaux de distribution isolés de la terre

Les variateurs avec filtre RFI intégré ne doivent pas être raccordés à un réseau isolé de la terre ou à un réseau de distribution industriel à la terre d'impédance élevée.

Mise au rebut

Le variateur contient des matériaux de base recyclables, dans un souci d'économie d'énergie et des ressources naturelles. Des informations sur la mise au rebut en fin de vie sont disponibles auprès d'ABB.

Responsabilité limitée

Le constructeur n'est pas responsable :

- des dépenses résultant d'une défaillance si l'installation, la mise en service, la réparation, la modification ou les conditions ambiantes sont contraires aux instructions spécifiées dans la documentation fournie avec l'appareil et autres documents appropriés ;
- des appareils dont la défaillance résulte d'un usage abusif, d'une négligence ou d'un accident ;
- des appareils dont la défaillance provient soit de matériels fournis par l'acheteur, soit d'une conception imposée par ce dernier.

En aucun cas, le constructeur, ses fournisseurs ou sous-traitants ne pourront être tenus pour responsables des dommages spéciaux, indirects, fortuits ou directs, ni des pertes ou pénalités.

Pour toute question concernant votre variateur ABB, contactez votre distributeur ou votre correspondant ABB. Les caractéristiques techniques, informations et descriptifs sont valables à la date de publication du présent manuel. Le constructeur se réserve le droit d'apporter toute modification sans avis préalable.

Marquages

Marquage CE

L'ACS55 est conforme à la réglementation européenne suivante :

- Directive Basse tension 73/23/CEE amendée
- Directive CEM 89/336/CEE amendée

Les déclarations correspondantes et la liste des principales normes sont disponibles sur demande.

Compatibilité électromagnétique :

L'ACS55 est conforme aux normes suivantes pourvu que l'installation soit correctement réalisée selon les consignes de ce guide :

Émissions haute fréquence conduites	EN 61800-3 premier environnement, distribution restreinte et non restreinte ¹⁾
Émissions haute fréquence rayonnées	EN 61800-3 premier environnement, distribution restreinte
Immunité	EN 61800-3 deuxième environnement
Harmoniques de courant réseau	CEI 61000-3-2

1) Respectez les longueurs maximales autorisées du câble moteur et la fréquence de découpage, page [123](#). Cf. également consignes de câblage page [119](#).

Les niveaux d'harmonique de courant peuvent être réduits en installant des selfs réseau externes.

Marquages UL, cUL et C-Tick

Cf. plaque signalétique.

Marquage UL, cUL :

L'ACS55 peut être utilisé sur un réseau capable de fournir au plus 65 kA efficaces symétriques sous 230 V maximum lorsqu'il est protégé par des fusibles de classe CC ou T.

Marquage C-Tick :

Pour la compatibilité électromagnétique, cf. spécifications à la section [Marquage CE](#) ci-dessus.

Conformité à la directive européenne Machines

Le variateur satisfait les exigences de la directive européenne Machines pour un équipement destiné à être incorporé à une machine. Le certificat d'incorporation est disponible auprès d'ABB.

Protection des produits aux États-Unis

Ce produit est protégé par un ou plusieurs des brevets américains suivants :

4,920,306	5,301,085	5,463,302	5,521,483	5,532,568	5,589,754	5,612,604
5,654,624	5,799,805	5,940,286	5,942,874	5,952,613	6,094,364	6,147,887
6,175,256	6,184,740	6,195,274	6,229,356	6,252,436	6,265,724	6,305,464
6,313,599	6,316,896	6,335,607	6,370,049	6,396,236	6,448,735	6,498,452
6,552,510	6,597,148	6,600,290	6,741,059	6,774,758	6,844,794	6,856,502
6,859,374	6,922,883	6,940,253	6,934,169	6,956,352	6,958,923	6,967,453
6,972,976	6,977,449	6,984,958	6,985,371	6,992,908	6,999,329	7,023,160
7,034,510	7,036,223	7,045,987	7,057,908	7,059,390	7,067,997	7,082,374
7,084,604	7,098,623	7,102,325	7,109,780	7,164,562	7,176,779	7,190,599
7,215,099	7,221,152	7,227,325	7,245,197	7,250,739	7,262,577	7,271,505
7,274,573	7,279,802	7,280,938	7,330,095	7,349,814	7,352,220	7,365,622
7,372,696	7,388,765	7,408,791	7,417,408	7,446,268	7,456,615	7,508,688
7,515,447	7,560,894	D503,931	D510,319	D510,320	D511,137	D511,150
D512,026	D512,696	D521,466	D541,743S	D541,744S	D541,745S	
D548,182S	D548,183S	D573,090S				

Autres brevets en cours

Accessoires

Selfs réseau : CHK-A1, CHK-B1, CHK-C1, CHK-D1

Self moteur : ACS-CHK-B3, ACS-CHK-C3

Potentiomètre : ACS55-POT

Kit DriveConfig : pour toute information complémentaire, contactez votre correspondant ABB. Cf. document anglais *DriveConfig User's Guide* (3AFE68910897).

Guida utente

per convertitori in c.a.
ACS55
da 0.18 a 2.2 kW



Italiano IT

Informazioni su prodotti e servizi

Per qualsiasi domanda o chiarimento sul prodotto, rivolgersi al rappresentante ABB locale citando il codice e il numero di serie dell'unità.
Per un elenco di contatti relativamente alla vendita e all'assistenza, visitare il sito www.abb.com/drives e selezionare *Sales, Support and Service network*.

Formazione sui prodotti

Per informazioni sulle iniziative di training relative ai prodotti ABB, visitare www.abb.com/drives e selezionare *Training courses*.

Feedback riguardo ai manuali dei convertitori ABB

Vogliamo conoscere le opinioni e i commenti degli utenti in merito ai nostri manuali. Visitare www.abb.com/drives e selezionare *Document Library – Manuals feedback form (LV AC drives)*.

3AFE68929300 Rev C
IT
Validità: 12-04-2010

ABB SpA
Discrete Automation and Motion Division
LV Drives
Via L. Lama, 33
20099 Sesto San Giovanni (MI)

Telefono: +39 02 2414 1
Telefax: +39 02 2414 3979
www.abb.com/drives

Norme di sicurezza

Leggere attentamente le seguenti norme di sicurezza prima di procedere all'installazione.

Avvertenza! Tensione pericolosa!

L'installazione dell'ACS55 deve essere eseguita solo da elettricisti qualificati.

Non intervenire mai sul convertitore di frequenza, sul cavo motore o sul motore quando l'alimentazione di rete è collegata. Dopo aver scollegato l'alimentazione, attendere sempre 5 minuti per consentire lo scarico dei condensatori del circuito intermedio prima di iniziare a operare sul convertitore.

Avvertenza! Se la messa a terra del dissipatore non è eseguita correttamente, toccando il dissipatore si rischia di rimanere folgorati.

Nota: sui DIP switch è presente una tensione pericolosa.

Nota: anche quando il motore è fermo, sono presenti tensioni pericolose in corrispondenza dei morsetti di potenza L/R, N/S, T1/U, T2/V e T3/W.

Nota: anche quando il convertitore è spento, possono essere presenti tensioni pericolose collegate esternamente ai morsetti delle uscite relè.

Avvertenza! Superfici calde!

Durante il funzionamento, l'elemento di raffreddamento può raggiungere temperature elevate (>80 °C). Seguire scrupolosamente le istruzioni di installazione.

Norme di sicurezza generali

L'ACS55 avvia automaticamente il motore dopo ogni interruzione dell'alimentazione di rete se è attivo il segnale di avviamento esterno.

Non cercare mai di riparare un'unità guasta. L'ACS55 non è riparabile sul posto. Contattare il fornitore per l'assistenza.

Installare l'ACS55 in uno spazio chiuso da serratura o lucchetto, o apribile solo con appositi utensili.

Non collegare la potenza di ingresso all'unità più di una volta ogni 3 minuti.

Alterando i DIP switch si possono compromettere il buon funzionamento e le prestazioni dell'ACS55. Assicurarsi che ogni eventuale modifica non comporti un rischio per le persone o le cose.

Informazioni sul manuale

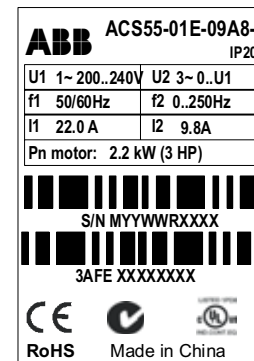
Questa guida contiene le informazioni necessarie a installare e avviare l'unità.

Controllo della fornitura

La fornitura comprende:

1. ACS55
2. Guida utente
3. 2 fissacavi per il cavo di controllo (solo unità EMC).

Controllare i dati riportati sulla targa dei valori nominali e verificare che il dispositivo fornito corrisponda alle specifiche dell'ordine.



ACS55-01 _ _ _ _ _

Filtro EMC: E = integrato, N = no

Corrente di uscita continua max. (I_2):

01A4 = 1.4 A, 02A2 = 2.2 A, 04A3 = 4.3 A,

07A6 = 7.6 A, 09A8 = 9.8 A

Tensione di alimentazione (U_1):

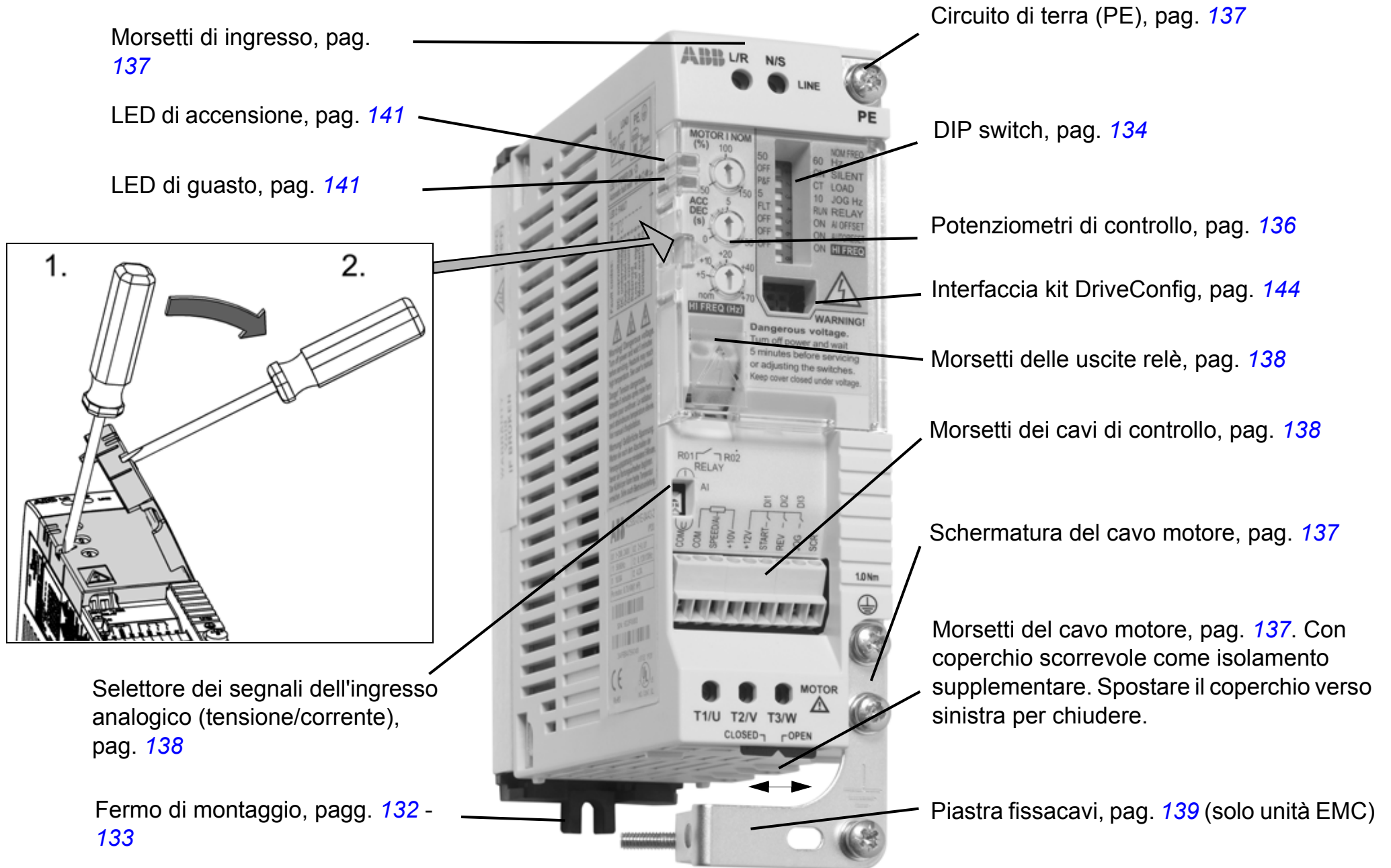
1 = 110...120 Vca +10%/-15%

2 = 200...240 Vca +10%/-15%

Il numero di serie (S/N) è stampato sulla targa dei valori nominali. (M = stabilimento di produzione, YY = anno di produzione, WW = settimana di produzione, R = numero revisione prodotto (A, B, C...), XXXX = numero intero che parte ogni settimana da 0001)

Panoramica dell'unità

Il convertitore di frequenza ACS55 controlla la velocità di motori a induzione in c.a. trifase.



Installazione e avviamento

Leggere le *Norme di sicurezza* a pag. 127 prima di procedere.

	Azione	Pag.
1	Controllare la fornitura.	127
2	Verificare che l'ambiente di installazione sia idoneo per l'ACS55.	130
3	Montare l'unità.	132 - 133
4	Verificare l'applicabilità delle impostazioni standard: frequenza nominale del motore 50 Hz; il carico è una pompa o una ventola; frequenza di uscita massima 50 Hz. Se le impostazioni standard non sono idonee, regolare i DIP switch.	134
5	Assicurarsi che il potenziometro MOTOR I NOM corrisponda alla corrente nominale del motore. Definisce il funzionamento della funzione di protezione termica del motore.	136
6	Se necessario, regolare il potenziometro del tempo di accelerazione/decelerazione ACC/DEC.	136
7	Collegare il cavo di alimentazione e il cavo del motore.	137
8	Collegare i cavi di controllo.	138
9	Accendere il convertitore. Il LED verde si illumina. Nota: il motore ruota se il segnale di avviamento è attivo.	
10	Impostare il riferimento di velocità e attivare il segnale di avviamento. Il motore accelera fino a raggiungere il riferimento di velocità impostato.	140

Controllo dell'isolamento del gruppo

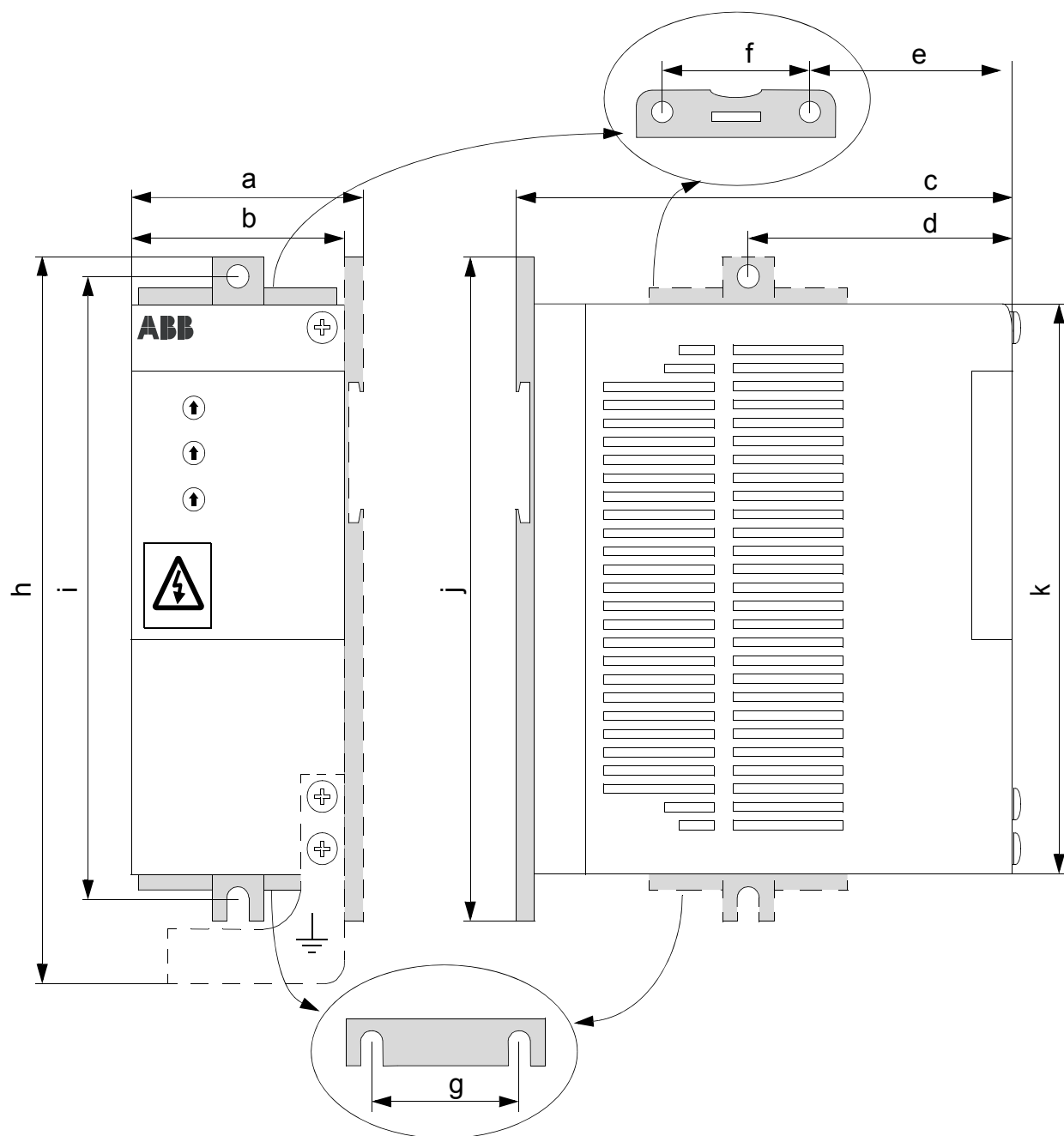
Non eseguire alcuna prova di isolamento o di rigidità dielettrica sul convertitore di frequenza (es. mediante hi-pot o megger) né su alcuno dei suoi moduli per evitare di danneggiare l'unità. Per ogni convertitore è stato verificato in fabbrica l'isolamento tra il circuito principale e il telaio. Inoltre, all'interno dell'unità sono presenti circuiti di limitazione della tensione che riducono automaticamente la tensione di prova.

Limiti ambientali

	Luogo di installazione	Immagazzinaggio e trasporto nell'imballaggio di protezione	
Temperatura ambiente	-20°C (-4°F), ghiaccio non ammesso ¹⁾ +40°C (104°F), al carico nominale +50°C (122°F), se la corrente di uscita continua è max. l'85% della corrente di uscita nominale I_2 +55°C (131°F), se la corrente di uscita continua è max. il 75% della corrente di uscita nominale I_2	-40°C (-40°F)...+70°C (158°F)	
Altitudine	0...2000 m (0...6600 ft). Ad altitudini tra 1000...2000 m (3300...6600 ft), P_N e I_2 vengono declassati dell'1% ogni 100 m.	Senza limitazioni	
Umidità relativa	Inferiore al 95%, senza condensa	Inferiore al 95%, senza condensa	
Livelli di contaminazione (IEC 60721-3-3)	<ul style="list-style-type: none"> Non è ammessa la presenza di polvere conduttiva L'aria deve essere pulita, priva di materiali corrosivi e di polvere conduttiva Gas chimici: Classe 3C2 Particelle solide: Classe 3S2 	Magazzinaggio	Trasporto
		<ul style="list-style-type: none"> Non è ammessa la presenza di polvere conduttiva Gas chimici: Classe 1C2 Particelle solide: Classe 1S2 	<ul style="list-style-type: none"> Non è ammessa la presenza di polvere conduttiva Gas chimici: Classe 2C2 Particelle solide: Classe 2S2
Vibrazioni sinusoidali (IEC 60068-2-6)	Range di frequenza: 5...150 Hz Accelerazione massima costante: 1 g	Secondo la specifica ISTA 1A	
Urti (IEC 60068-2-29)	Non ammessi	Max. 100 m/s ² (330 ft/s ²), 11 ms (36 ft)	
Caduta libera	Non ammessa	Non ammessa	

1) Quando il convertitore funziona a temperature inferiori allo zero, tenere la potenza di ingresso collegata. Installare il convertitore all'interno di un armadio. Assicurarsi che il calore generato dal convertitore venga adeguatamente dissipato.

Il grado di protezione dell'ACS55 è IP20.



	Telaio A mm (in.)	Telaio B mm (in.)	Telaio C mm (in.)	Telaio D mm (in.)
a	53 (2.09)	72 (2.83)	74 (2.91)	74 (2.91)
b	45 (1.77)	67.5 (2.66)	70 (2.76)	70 (2.76)
c	128 (5.04)	128 (5.04)	159 (6.26)	159 (6.26)
d	67.5 (2.66)	67.5 (2.66)	-	-
e	-	-	77 (3.03)	77 (3.03)
f	-	-	40 (1.57)	40 (1.57)
g	-	-	40 (1.57)	40 (1.57)
h	183 (7.20)	183 (7.20)	-	230 (9.06)
i	156 (6.14)	156 (6.14)	182 (7.17)	214 (8.43)
j	170 (6.69)	170 (6.69)	194 (7.64)	226 (8.90)
k	146.5 (5.77)	146.5 (5.77)	171 (6.73)	203 (7.99)

Montaggio

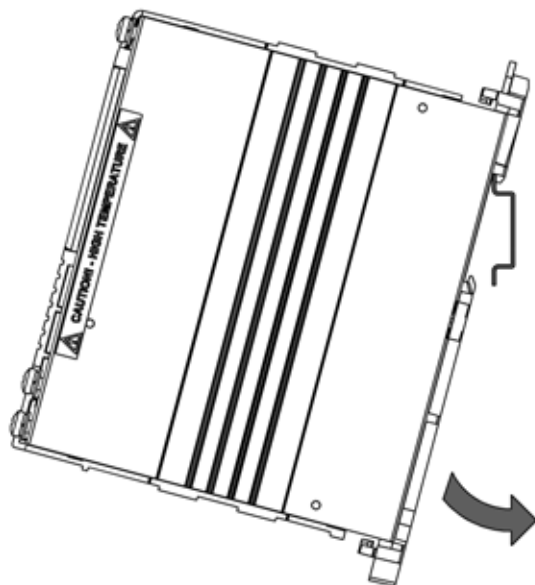
Avvertenza! L'unità raggiunge una temperatura elevata durante il normale funzionamento. Assicurare un adeguato flusso d'aria di raffreddamento in ogni condizione:

- Installare l'ACS55 in modo che le ventole di raffreddamento siano sempre verticali.
- Lasciare uno spazio sufficiente intorno alle unità con telaio A e B. Le unità con telaio C e D sono raffreddate da ventole, quindi possono essere installate affiancate, senza prevedere alcuno spazio extra fra l'una e l'altra.

Installare l'unità utilizzando il fermo di montaggio su una guida DIN da 35 mm o a parete.

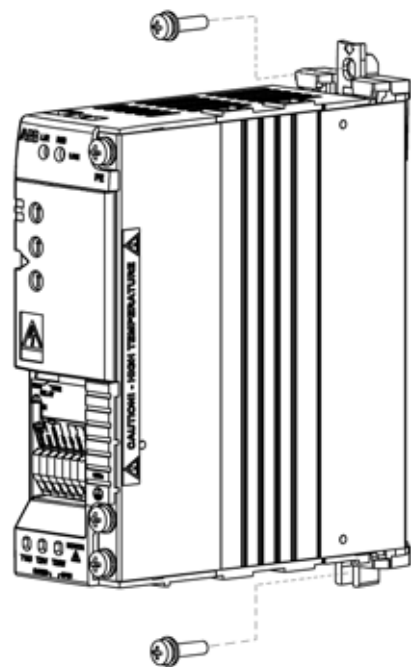
Montaggio su guida DIN

Agganciare l'ACS55 alla guida: si deve sentire un "clic". Per sganciarla, premere la leva in alto sopra il fermo di montaggio.



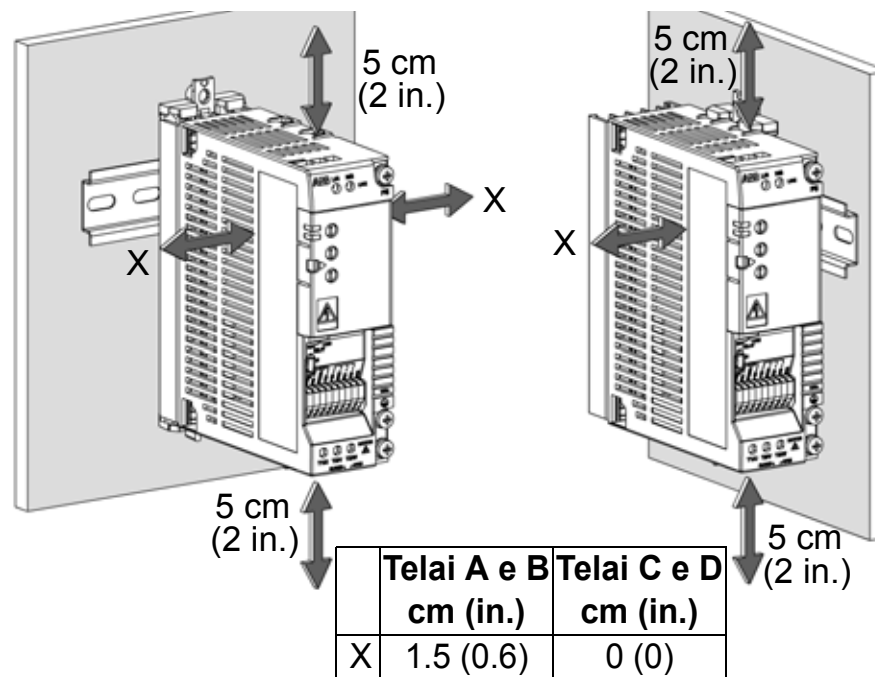
Montaggio a parete

Installare l'unità a parete utilizzando il fermo di montaggio e viti M4.



Distanze di passaggio

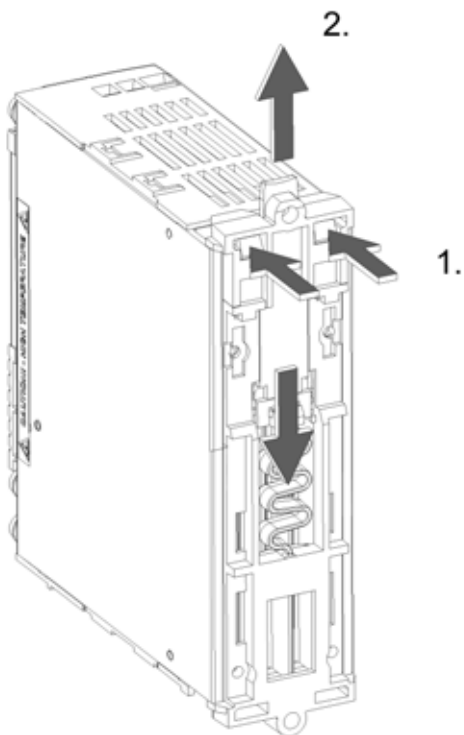
Lasciare sempre uno spazio sufficiente intorno all'unità per assicurare un adeguato raffreddamento.



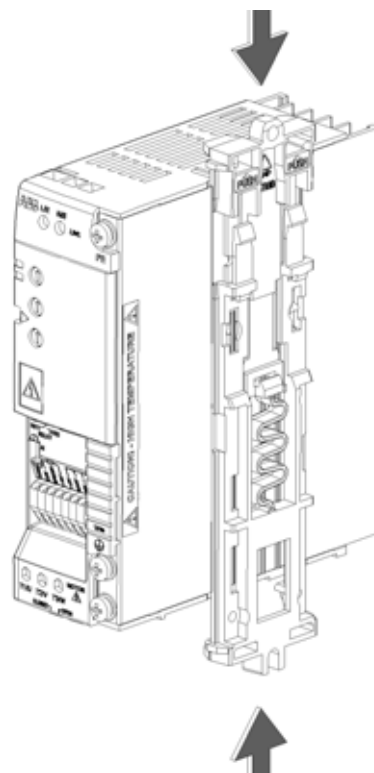
Aggancio e sgancio del fermo di montaggio a parete

L'unità può essere installata appoggiando alla parete il lato corto o il lato lungo. Installare il fermo di montaggio sul lato desiderato. Vedere le istruzioni seguenti per i telai A e B. Per staccare il fermo di montaggio dei telai C e D, tirarlo verso il basso; per attaccarlo, spingerlo verso l'alto.

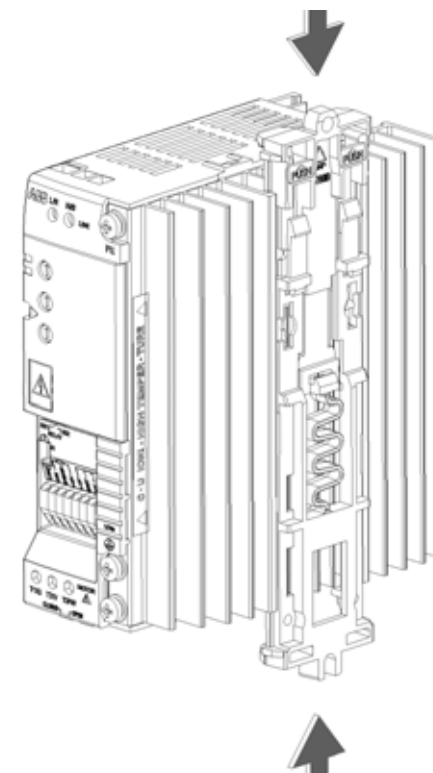
Sgancio del fermo di montaggio, telai A e B: premere i due pulsanti in plastica per staccare la parte superiore e inferiore del fermo.



Aggancio del fermo di montaggio, telaio A: posizionare le due parti come mostrato in figura e spingere finché non si agganciano con un "clic".



Aggancio del fermo di montaggio, telaio B: spingere le due parti tra le alette di raffreddamento finché non si agganciano con un "clic".



DIP switch

I DIP switch permettono di configurare l'ACS55 in base al motore e all'applicazione.



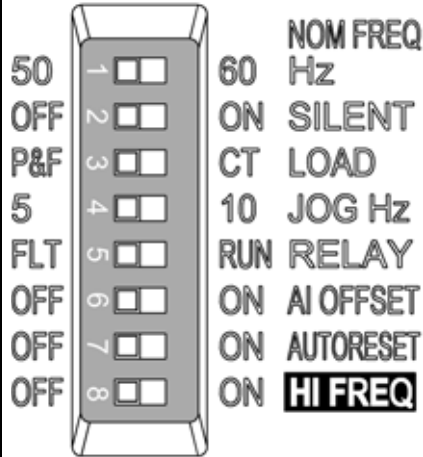


Avvertenza! Sui DIP switch è presente una tensione pericolosa (200 V). Scollegare l'alimentazione e attendere 5 minuti prima di regolarli. Tenere chiuso il coperchio protettivo quando l'ACS55 è alimentato.

Configurazione

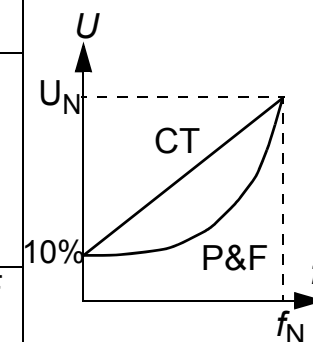
- Aprire il coperchio anteriore facendo leva con la punta di un cacciavite e regolare i DIP switch.
- Utilizzare la punta del cacciavite per spostare gli switch verso destra o sinistra. Di default tutti gli switch sono posizionati a sinistra.
- Chiudere il coperchio anteriore.

Informazioni generali

DIP switch	#	Nome e funzione	Impostazione di default 	Impostazione alternativa 
 <p>50 OFF P&F 5 FLT OFF OFF OFF</p> <p>1 2 3 4 5 6 7 8</p> <p>60 Hz ON SILENT CT LOAD 10 JOG Hz RUN RELAY ON AI OFFSET ON AUTORESET ON HI FREQ</p>	1	NOM FREQ Hz: frequenza nominale del motore	50 Hz	60 Hz
	2	SILENT: livello di rumorosità del motore (frequenza di commutazione PWM)	OFF – Normale (5 kHz)	ON – Silenzioso (16 kHz)
	3	LOAD: tipo di coppia di carico (curva U/f)	P&F – Pompa/ventola	CT – Coppia costante
	4	JOG Hz: frequenza costante per la funzione jogging	5 Hz	10 Hz
	5	RELAY: funzionamento delle uscite relè	FLT – Guasto	RUN – Motore in marcia
	6	AI OFFSET: valore minimo dell'ingresso analogico	OFF – 0 mA (0 V)	ON – 4 mA (2 V)
	7	AUTORESET: funzione di reset automatico dei guasti	OFF – Senza reset automatico	ON – Con reset automatico
	8	HI FREQ: modalità ad alta frequenza	OFF – Standard	ON – Alta frequenza

Ulteriori informazioni

N.	Nome	Informazioni
1	NOM FREQ Hz	Definisce la frequenza nominale del motore (vedere la targa dei valori nominali del motore).
2	SILENT	Definisce la frequenza di commutazione del convertitore. Nota: più elevata è la frequenza, più intenso è il rumore elettromagnetico e, di conseguenza, sarà più breve la lunghezza del cavo motore consentita per conformarsi alle normative europee in materia di compatibilità elettromagnetica. Vedere Dati tecnici a pag. 142. Nota: la frequenza di commutazione è in funzione della temperatura dell'ACS55.
3	LOAD	Ottimizza la tensione di uscita e le caratteristiche di frequenza in base al carico. Selezionare P&F per coppie quadre (es. pompe e ventole) e CT per carichi a coppia costante (es. nastri trasportatori). L'ACS55 incrementa automaticamente la tensione di avviamento del 10% per compensare le perdite del motore e per aumentare la coppia di avviamento.
4	JOG Hz	Definisce la frequenza di jogging (avanzamento a impulsi). Attivare la funzione jogging collegando 12...24 Vcc all'ingresso digitale 3 ("JOG"). (Il convertitore accelera o decelera alla frequenza di jogging e la mantiene finché l'ingresso non viene disattivato.)
5	RELAY	Seleziona lo stato del convertitore indicato dal contatto normalmente aperto dell'uscita relè. FLT = guasto. Il contatto è aperto in presenza di una condizione di guasto o quando l'alimentazione è scollegata. RUN = in marcia. Il contatto è chiuso durante il funzionamento.
6	AI OFFSET	Attiva una supervisione a zero mobile per l'ingresso analogico. 4 mA (2 V) = l'ACS55 scatta per guasto se il valore scende al di sotto del limite. Vedere la sezione Controllo di velocità a pag. 140 per informazioni sull'adattamento con fattore di scala dell'ingresso analogico.
7	AUTO- RESET	Attiva la funzione di reset automatico per i seguenti guasti: sottotensione, sovratensione, perdita ingresso analogico. ON = l'ACS55 tenterà il reset automatico 3 secondi dopo uno scatto per guasto. Il numero massimo di reset è 10 in 3 minuti. Se il numero viene superato, l'ACS55 si ferma e non esegue più altri reset. Vedere anche Indicazioni di stato e diagnostica a pag. 141. Avvertenza! Se il segnale di avviamento è attivato, il motore si riavvia dopo il reset. Accertarsi che ciò non comporti alcun pericolo.
8	HI FREQ	Definisce la frequenza di uscita massima. OFF: frequenza max. = valore definito dallo switch NOM FREQ Hz. ON: frequenza max. = valore definito dallo switch NOM FREQ Hz + valore del potenziometro HI FREQ. Vedere Potenziometri di controllo a pag. 136.



Per ulteriori informazioni, vedere la *Guida utente di DriveConfig* [3AFE68910897 (inglese)].

Potenzimetri di controllo

I potenziometri di controllo si regolano con un cacciavite. Di default tutti i potenziometri sono impostati sul valore a metà della scala.

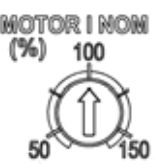


	MOTOR I NOM	<p>Calcolare MOTOR I NOM con l'equazione seguente o utilizzare un valore del diagramma di selezione MOTOR I NOM riportato in fondo alla pagina. L'ACS55 stima la temperatura del motore sulla base della corrente di uscita misurata e della corrente nominale definita per il motore. Il convertitore scatta se la temperatura stimata implica il surriscaldamento del motore.</p> <p>Nota: se i cavi del motore sono lunghi e causano correnti capacitive elevate, può essere necessario aumentare l'impostazione di MOTOR I NOM.</p> $\text{MOTOR I NOM (\%)} = \frac{\text{Corrente nominale motore [A]}}{\text{Corrente nominale ACS55 [A]}} \cdot 100\%$
	ACC/DEC	<p>Definisce il tempo di accelerazione e decelerazione dalla frequenza minima alla frequenza massima e viceversa, in secondi. Maggiore è il tempo ACC/DEC, più lentamente l'ACS55 seguirà il riferimento dato.</p>
	HI FREQ	<p>Limita la frequenza di uscita a un valore desiderato tra la frequenza nominale e la frequenza nominale + 70 Hz. Per utilizzare questo potenziometro, attivare la modalità ad alta frequenza con il DIP switch HI FREQ. Vedere DIP switch a pag. 134.</p>

Diagramma di selezione MOTOR I NOM

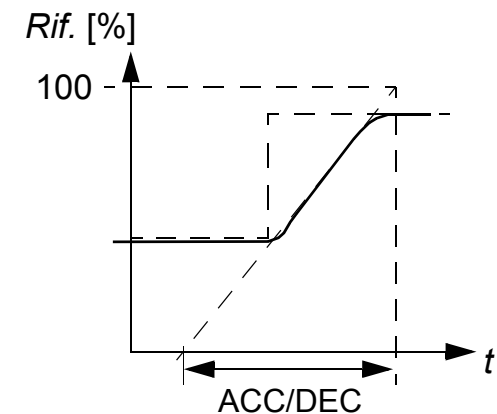
Corrente nominale motore (A)

ACS55-01x-

-01A4-x	0,7	0,8	1,0	1,2	1,4	1,6	1,8	2,0	2,1	
-02A2-x	1,1	1,3	1,5	1,8	2,2	2,4	2,6	2,8	3,0	3,3
-04A3-x	2,2	2,6	3,0	3,5	4,3	4,7	5,2	5,6	6,0	6,5
-07A6-x	3,8	4,6	5,3	6,1	7,6	8,4	9,3	10,2	11,4	
-09A8-x	4,9	5,9	6,9	7,8	9,8	10,8	12,0	13,3	14,7	

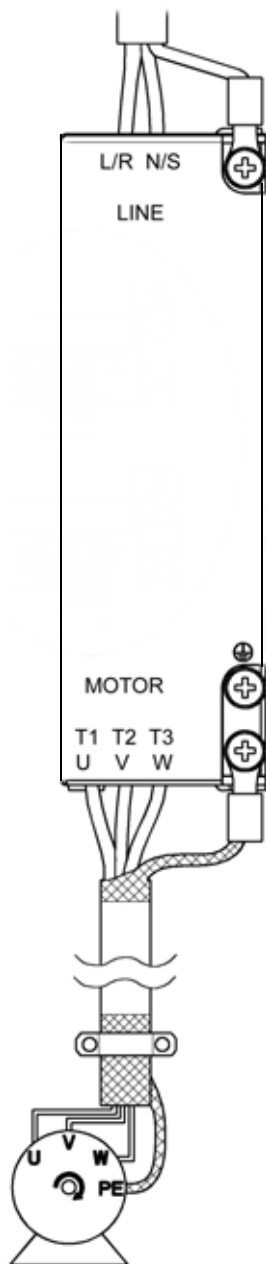
MOTOR I NOM 50 60 70 80 90 **100** 110 120 130 140 150%

Tempo ACC/DEC




Collegamento dell'alimentazione e del motore

Tensione di ingresso
monofase



⚠ Avvertenza! Prima dell'installazione, verificare che l'alimentazione di rete sia scollegata.

Nota: assicurarsi che la potenza di rete sia corretta! Se si collega un'alimentazione a 230 Vca a un'unità ACS55 omologata per 115 Vca in ingresso, il convertitore di frequenza verrà danneggiato!

Morsetto	Descrizione	Dimensioni fili	Coppia di serraggio
L/R, N/S	Ingresso alimentazione monofase	Cavo a 4 conduttori max. 2.5 mm ² (telai A e B) o max. 4 mm ² (telai C e D)	0.5 N·m
T1/U, T2/V, T3/W	Uscita di potenza al motore		
PE 	Circuito di terra. Conduttore di protezione del cavo motore e schermatura.	Utilizzare cavi multifili in rame. Le dimensioni dei cavi non devono essere inferiori a quelle del cavo di alimentazione.	1 N·m

Avvertenza! Se la messa a terra del dissipatore non è eseguita correttamente, toccando il dissipatore si rischia di rimanere folgorati.

Nota: utilizzare esclusivamente le viti Combi M4x8 in dotazione. La massima profondità di inserimento consentita per le viti di messa a terra è **6 mm**.

Attenersi alle normative locali per le sezioni dei cavi. Utilizzare cavi di alimentazione con valori nominali per 60°C (140°F) o cavi per 75°C (167°F) se la temperatura ambiente è superiore a 30°C (86°F). Vedere anche [Altre istruzioni per il cablaggio e la compatibilità elettromagnetica](#) a pag. 139.

La corrente di dispersione verso terra dell'ACS55 può superare 3.5 mA c.a. / 10 mA c.c. Secondo EN50178, l'ACS55 può essere utilizzato solo in installazioni permanenti.

Fusibili di ingresso

Vedere [Dati tecnici](#) a pag. 142 per i tipi di fusibili raccomandati.

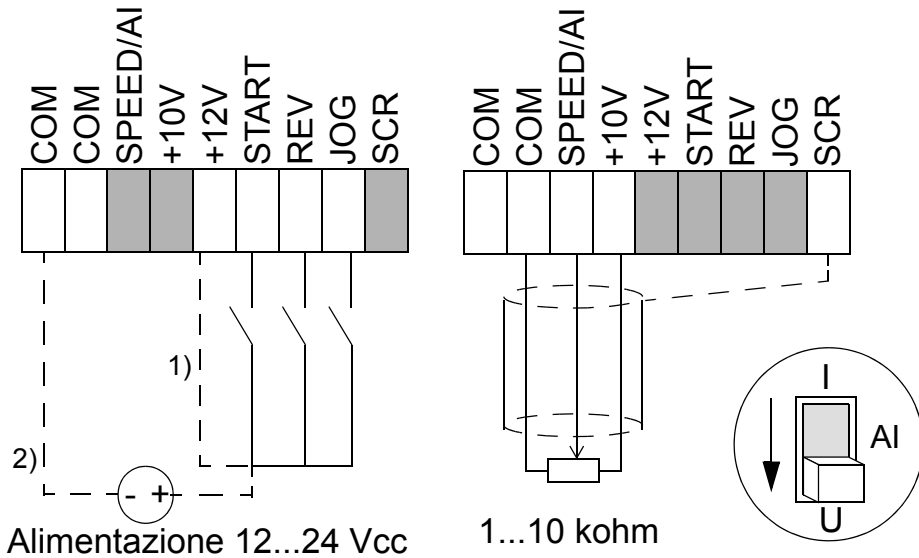
Motore

Il motore deve essere un motore a induzione in c.a. trifase, con tensione nominale U_N da 200 a 240 V e frequenza nominale f_N di 50 o 60 Hz. La corrente nominale del motore deve essere inferiore o uguale alla corrente di uscita nominale (I_2) del convertitore di frequenza.

Se le fasi sono collegate, U-U, V-V e W-W, e la direzione selezionata è "avanti", l'albero ruota in senso orario se osservato dal lato del convertitore.

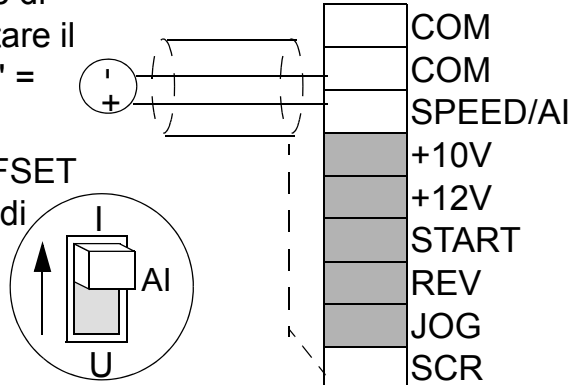
Collegamento dei cavi di controllo

Per gli ingressi digitali è possibile utilizzare un'alimentazione interna (1) o esterna (2). La tensione di controllo analogica è 0...10 Vcc di default. (Il ponticello AI deve essere in posizione "U" = tensione).



Quando si utilizza il segnale di corrente 0/4...20 mA: - Portare il ponticello AI in posizione "I" = corrente.

- Impostare lo switch AI OFFSET su ON per avere il segnale di corrente 4...20 mA.



Morsetti di controllo

- Dimensioni conduttore: intrecciato 0.25...1.5 mm² (AWG 23...AWG 16)
- Coppia di serraggio: 0.25 N·m.

#	Nome	Descrizione
1	COM	Comune per ingressi digitali o analogici ¹⁾
2	COM	Comune per ingressi digitali o analogici ¹⁾
3	AI	Ingresso analogico: riferimento di velocità (frequenza). 0/2...10 Vcc (Ri=190 kohm), o 0/4...20 mA (Ri=100 ohm). Risoluzione 0.1%, precisione +/-1%.
4	+10V	Tensione di riferimento per l'ingresso analogico. Precisione +/-2%. Max. 10 mA.
5	+12V	Tensione ausiliaria per gli ingressi digitali. Max. 30 mA.
6	START	Ingresso digitale 1: marcia (resetta il convertitore dopo uno scatto per guasto) ²⁾
7	REV	Ingresso digitale 2: direzione di rotazione inversa ²⁾
8	JOG	Ingresso digitale 3: attivazione velocità di jogging ²⁾
9	SCR	Terra per la schermatura del cavo dei segnali. Collegata internamente alla terra del telaio.
Uscite relè		
1	RO1	Guasto: il relè si apre. 12 V...250 Vca / 30 Vcc 10 mA...2 A
2	RO2	

1) Collegato internamente al telaio (terra) attraverso una resistenza da 1 Mohm.

2) L'impedenza degli ingressi digitali è 1.5 kohm.

Altre istruzioni per il cablaggio e la compatibilità elettromagnetica

Seguire queste istruzioni per assicurare il corretto funzionamento dei dispositivi e la conformità alla Direttiva europea sulla compatibilità elettromagnetica (EMC).

Cavo motore

Il cavo del motore deve essere un cavo simmetrico a 3 conduttori con conduttore PE concentrico, o un cavo a 4 conduttori con schermatura concentrica. Si raccomanda una schermatura metallica intrecciata, es. tipo MCCMK (NK Cables).

- Intrecciare i fili della schermatura del cavo riuniti in un fascio e collegarli al morsetto di terra \perp . Il fascio deve essere il più corto possibile.

- Fissare la schermatura del cavo come mostrato nella figura quando si utilizza un filtro EMC interno o esterno.

- Sul lato motore, la schermatura del cavo motore deve essere messa a terra a 360° con un pressacavo EMC, o i fili della schermatura devono essere intrecciati in un fascio la cui lunghezza sia inferiore a 5 volte la sua larghezza, e collegati al morsetto PE del motore.

Cavi di controllo

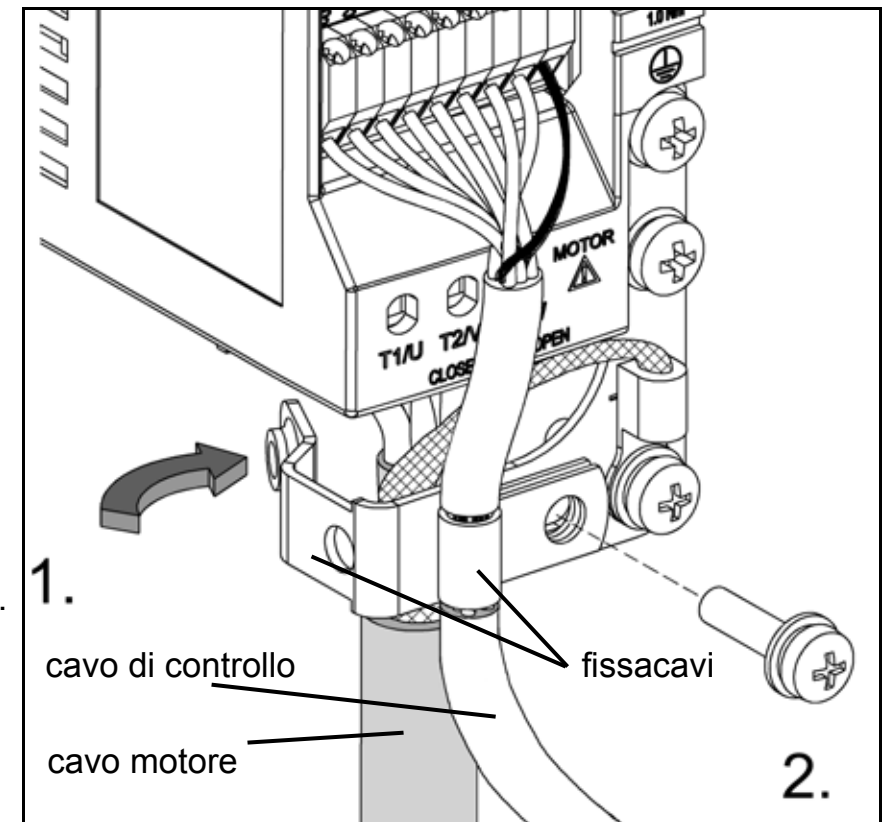
I cavi di controllo devono essere di tipo multipolare con schermatura in fili di rame intrecciati. Per i segnali analogici si raccomanda di utilizzare un cavo a doppino intrecciato con doppia schermatura.

- Intrecciare le schermature riunite in un fascio e collegarle al morsetto SCR. Il fascio deve essere il più corto possibile.

- Fissare il cavo di controllo come mostrato nella figura (solo unità EMC).

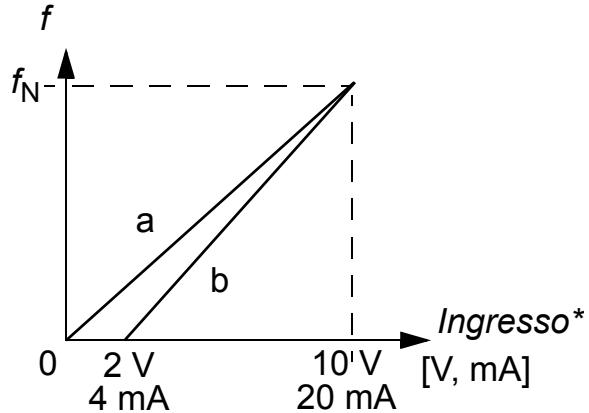
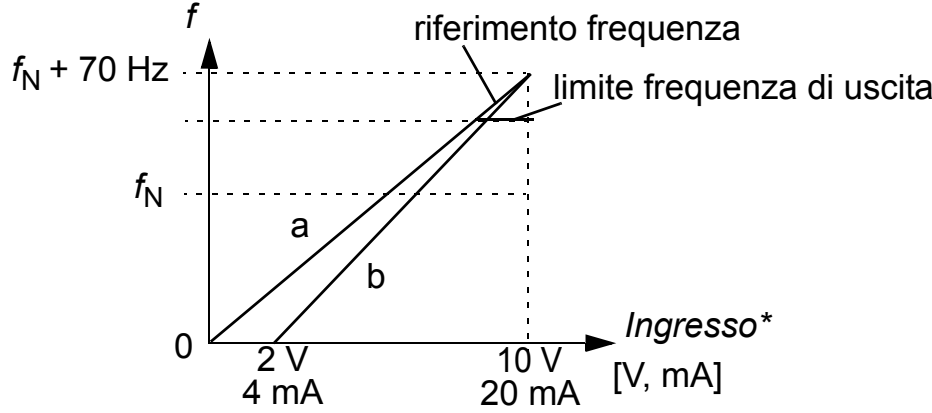
- Far passare il cavo motore lontano dai cavi di controllo e dal cavo di alimentazione per evitare interferenze elettromagnetiche (distanza > 20 cm).

Nota: non trasmettere mai segnali a 24 Vcc e 115/230 Vca nello stesso cavo.



Controllo di velocità

L'ingresso analogico dà il riferimento di velocità (frequenza) per l'ACS55. La corrispondenza tra l'ingresso analogico e il riferimento dipende dalle impostazioni dei DIP switch, come illustrato sotto. La frequenza di uscita segue le variazioni del riferimento come definito dal potenziometro ACC/DEC.

Modalità alta frequenza OFF (default)	Modalità alta frequenza ON
 <p>Impostazioni DIP switch: HI FREQ = OFF AI OFFSET = OFF (curva a) o ON** (curva b) MOTOR NOM FREQ = 50 o 60 Hz</p> <p>La frequenza di uscita è limitata alla frequenza nominale selezionata per il motore.</p>	 <p>Impostazioni DIP switch: HI FREQ = ON AI OFFSET = OFF (curva a) o ON** (curva b) MOTOR NOM FREQ = 50 o 60 Hz</p> <p>La frequenza di uscita effettiva è limitata a un valore compreso tra f_N e $f_N + 70$ Hz dal potenziometro HI FREQ. Il potenziometro non influisce sull'adattamento con fattore di scala dell'ingresso analogico.</p>

* Utilizzare il ponticello AI per selezionare il segnale di corrente o tensione. Vedere pag. 138.



** Per proteggere il convertitore in caso di perdita del segnale dell'ingresso analogico, il convertitore scatta se il valore del segnale è inferiore a 2 V (4 mA).

Indicazioni di stato e diagnostica

L'ACS55 ha due LED che indicano il suo stato, visibili attraverso il coperchio anteriore.

Se il convertitore rileva un problema, il LED rosso lampeggia. Dopo aver risolto il problema, resettare l'unità disattivando il segnale di avviamento. Se l'avviamento è già disattivato, attivarlo e poi disattivarlo nuovamente.

La tabella seguente contiene i codici dei guasti (= il numero di lampeggi dei LED).

LED verde	LED rosso	Descrizione
Acceso	Spento	L'ACS55 funziona normalmente.
Acceso	Lampeggiante On  Off 	Si è attivata la funzione di protezione. Il numero di lampeggi indica il codice di guasto.
Lampeggiante	Lampeggiante	L'ACS55 si resetta automaticamente nel giro di 3 secondi. (*) Avvertenza! Il motore si mette in funzione se il segnale di avviamento è attivo.

#	Possibili cause e azioni correttive	#	Possibili cause e azioni correttive
1	Sovratensione in c.c. (*). 1) La tensione di rete è troppo elevata: controllare l'alimentazione. 2) La rampa di decelerazione è troppo breve rispetto all'inerzia del carico: aumentare il tempo di ACC/DEC con il potenziometro.	7	Sovraccarico del motore (sovraccarico I^2t): 1) Controllare il carico e verificare che il motore sia di taglia adeguata per l'ACS55. 2) Verificare che l'impostazione del potenziometro MOTOR I NOM sia corretta.
2	Sottotensione in c.c. (*). La tensione di rete è troppo bassa: controllare l'alimentazione.	8	Sovraccarico dell'inverter o eccessiva temperatura interna: 1) Il carico è troppo elevato o 2) il raffreddamento del convertitore è insufficiente.
3	Cortocircuito dell'uscita: spegnere l'alimentazione e controllare gli avvolgimenti del motore e il cavo motore.	9	Altro guasto. Errore interno. Spegnere e riaccendere il convertitore. Se il problema persiste, sostituire l'unità.
4	Sovracorrente di uscita. 1) Il tempo di accelerazione è troppo breve rispetto all'inerzia del carico: aumentare il tempo di ACC/DEC con il potenziometro. 2) Motore e convertitore non sono compatibili: verificare la taglia del motore.	10	Guasto di parametrizzazione. Nota: entrambi i LED lampeggiano. L'impostazione dei DIP switch è stata modificata rispetto all'impostazione di default dopo aver definito i parametri del convertitore con il tool DriveConfig. Riportare i DIP switch nelle posizioni di default.
5	Riservato	11	Il convertitore è alimentato dalla batteria. Lo stato del convertitore viene indicato come "guasto" perché non è possibile avviare il convertitore. Il convertitore deve essere collegato alla rete per poter funzionare. Quando però il convertitore viene alimentato dall'alimentazione del kit DriveConfig, il collegamento tra DriveConfig e il convertitore è OK.
6	Il valore dell'ingresso analogico è inferiore a 4 mA/2 V. (*) Nota: questa supervisione è attiva se AI OFFSET è ON.	12	Il convertitore era controllato da DriveConfig (o da un'altra applicazione tramite comunicazione seriale) e la comunicazione si è interrotta. Controllare la comunicazione.

(*) Reset automatico se AUTORESET è ON. Vedere [DIP switch](#) a pag. 134.

Dati tecnici

		230 V					115 V	
Filtro EMC integrato, ACS55-01E-		01A4-2	02A2-2	04A3-2	07A6-2	09A8-2	01A4-1	02A2-1
Senza filtro EMC, ACS55-01N-		01A4-2	02A2-2	04A3-2	07A6-2	09A8-2	01A4-1	02A2-1
Potenza di uscita continua motore	kW	0.18	0.37	0.75	1.5	2.2	0.18	0.37
	hp	1/4	1/2	1	2	3	1/4	1/2
Telaio (senza EMC)		A	A	B	C	C	A	A
Telaio (EMC)		A	A	B	D	D	A	A
Valori nominali								
Tensione di ingresso U_1	V	200...240 (+10/-15%)					110...120 (+10/-15%)	
Corrente di uscita continua I_2	A	1.4	2.2	4.3	7.6	9.8	1.4	2.2
Corrente di uscita max. I_{2max}^*	A	2.1	3.3	6.5	11.4	14.7	2.1	3.3
Tensione di uscita U_2	V	0... U_1 . trifase					0... $2 \times U_1$. trifase	
Corrente di ingresso I_1	A	4.4	6.9	10.8	18.2	22.0	6.4	9.5
Frequenza di commutazione	kHz	5 (max. 16)						
Limiti di protezione								
Sovracorrente (picco)	A	4.4	6.9	13.5	23.9	30.9	4.4	6.9
Sovratemperatura		95°C / 203°F (dissipatore)						
Dimensioni max. fili								
Morsetti di potenza	mm ²	2.5 (AWG 14)			4 (AWG 12)		2.5 (AWG 14)	
Morsetti di controllo	mm ²	1.5 (AWG 16)						
Perdite di potenza	W	21	32	51	74	103	24	35
Dimensioni fusibili di linea**								
IEC, tipo IEC269 gG	A	10	16	16	25	32	10	16
UL, tipi CC e T	A	10	15	20	25	30	10	15
Peso, filtro EMC integrato, ACS55-01E-	kg (lb)	0.65 (1.4)	0.7 (1.5)	0.9 (2)	1.6 (3.5)	1.7 (3.7)	0.65 (1.4)	0.7 (1.5)
Peso, senza filtro EMC, ACS55-01N-	kg (lb)	0.65 (1.4)	0.7 (1.5)	0.9 (2)	1.2 (2.6)	1.3 (2.9)	0.65 (1.4)	0.7 (1.5)

* Consentita per 1 minuto.

** Valori raccomandati. Non utilizzare fusibili ultrarapidi o con basso valore di picco. Attenersi alle normative locali.

Lunghezze massime del cavo motore

Per la conformità alle normative europee sulla compatibilità elettromagnetica, la lunghezza del cavo motore deve essere limitata ai valori specificati nella seguente tabella. Più corto è il cavo motore, inferiori saranno le emissioni di rumore verso la linea di alimentazione e l'ambiente.

Convertitore ACS55-01x-	Frequenza di commutazione	
	5 kHz	16 kHz ¹⁾
Filtro EMC integrato		
<i>EN61800-3, primo ambiente, distribuzione illimitata ²⁾</i>		
01A4-2, ..., 04A3-2	10 m	3 m
01A4-1, 02A2-1	10 m	3 m
07A6-2, 09A8-2	10 m	3 m
<i>EN61800-3, primo ambiente, distribuzione limitata ³⁾</i>		
01A4-2, ..., 04A3-2	10 m	10 m
01A4-1, 02A2-1	10 m	10 m
07A6-2, 09A8-2	20 m	10 m
<i>EN61800-3, secondo ambiente ³⁾</i>		
01A4-2, ..., 04A3-2	10 m	10 m
01A4-1, 02A2-1	10 m	10 m
07A6-2, 09A8-2	30 m	10 m

1) La frequenza di commutazione si seleziona con il DIP switch. Vedere pag. [135](#).

2) Valori validi solo per emissioni condotte.

3) Valori validi per emissioni irradiate e condotte.

Protezioni

Sovratensione, sottotensione, cortocircuito uscita, sovracorrente, perdita ingresso analogico, sovraccarico motore, sovraccarico inverter.

Reti di distribuzione isolate da terra

I convertitori di frequenza con filtro EMC integrato non devono essere utilizzati in reti flottanti né in reti di distribuzione industriali con messa a terra ad alta impedenza.

Informazioni ambientali

Il convertitore di frequenza contiene materie prime che devono essere riciclate al fine di risparmiare energia e tutelare le risorse naturali. Le istruzioni per il corretto smaltimento sono disponibili presso le sedi di vendita e assistenza di ABB.

Limitazioni di responsabilità

Il produttore declina ogni responsabilità per:

- Costi derivanti da errori di installazione, messa in servizio, riparazione, modifica o condizioni ambientali del convertitore non rispondenti ai requisiti specificati nella documentazione fornita con l'unità e in ogni altro documento rilevante.
- Unità soggette a uso improprio, negligenza o incidenti.
- Unità comprensive di materiali forniti dall'acquirente o di configurazioni predisposte dall'acquirente.

Il produttore, i suoi fornitori e subfornitori declinano ogni responsabilità per danni, perdite o sanzioni di natura speciale, indiretta, incidentale o consequenziale.

Per qualsiasi domanda sul convertitore di frequenza ABB, contattare la sede ABB o il distributore locale. I dati tecnici, le informazioni e le specifiche sono validi al momento della stampa. Il produttore si riserva il diritto di apportare modifiche senza preavviso.

Certificazioni

CE

L'ACS55 è conforme ai requisiti delle seguenti direttive europee:

- Direttiva Bassa Tensione 73/23/CEE, con emendamenti
- Direttiva EMC 89/336/CEE, con emendamenti.

Su richiesta sono disponibili le relative dichiarazioni e un elenco delle principali norme.

Compatibilità elettromagnetica

L'ACS55 è conforme alle seguenti norme, purché l'installazione sia eseguita correttamente e secondo le istruzioni contenute in questo manuale:

Emissioni condotte ad alta frequenza	EN61800-3, primo ambiente, distribuzione illimitata/limitata ¹⁾
Emissioni irradiate ad alta frequenza	EN61800-3, primo ambiente, distribuzione limitata
Immunità	EN61800-3, secondo ambiente
Armoniche della corrente di linea	IEC61000-3-2

1) Rispettare le lunghezze massime consentite per il cavo motore e la frequenza di commutazione, pag. 143. Vedere anche le istruzioni per il cablaggio a pag. 139.

Il livello di armoniche di corrente può essere ridotto installando induttanze di ingresso esterne.

Marchi UL, cUL e C-Tick

Vedere la targa dei valori nominali.

UL, cUL

L'ACS55 è idoneo per essere utilizzato su circuiti in grado di produrre non oltre 65.000 rms ampere simmetrici, massimo 230 V, quando protetto da fusibili di classe CC o T.

C-Tick

Per la compatibilità elettromagnetica, vedere la precedente sezione [CE](#).

Conformità alla Direttiva Macchine

Il convertitore di frequenza è conforme alla Direttiva Macchine dell'Unione europea, che stabilisce i requisiti per i dispositivi destinati a essere integrati in una macchina. La dichiarazione di incorporazione è disponibile presso ABB.

Protezione del prodotto negli Stati Uniti

Questo prodotto è protetto da uno o più dei seguenti brevetti USA

4,920,306	5,301,085	5,463,302	5,521,483	5,532,568	5,589,754	5,612,604
5,654,624	5,799,805	5,940,286	5,942,874	5,952,613	6,094,364	6,147,887
6,175,256	6,184,740	6,195,274	6,229,356	6,252,436	6,265,724	6,305,464
6,313,599	6,316,896	6,335,607	6,370,049	6,396,236	6,448,735	6,498,452
6,552,510	6,597,148	6,600,290	6,741,059	6,774,758	6,844,794	6,856,502
6,859,374	6,922,883	6,940,253	6,934,169	6,956,352	6,958,923	6,967,453
6,972,976	6,977,449	6,984,958	6,985,371	6,992,908	6,999,329	7,023,160
7,034,510	7,036,223	7,045,987	7,057,908	7,059,390	7,067,997	7,082,374
7,084,604	7,098,623	7,102,325	7,109,780	7,164,562	7,176,779	7,190,599
7,215,099	7,221,152	7,227,325	7,245,197	7,250,739	7,262,577	7,271,505
7,274,573	7,279,802	7,280,938	7,330,095	7,349,814	7,352,220	7,365,622
7,372,696	7,388,765	7,408,791	7,417,408	7,446,268	7,456,615	7,508,688
7,515,447	7,560,894	D503,931	D510,319	D510,320	D511,137	D511,150
D512,026	D512,696	D521,466	D541,743S	D541,744S	D541,745S	
D548,182S	D548,183S	D573,090S				

Altri brevetti sono in attesa di concessione.

Accessori

Induttanze di ingresso: CHK-A1, CHK-B1, CHK-C1, CHK-D1

Induttanze di uscita: ACS-CHK-B3, ACS-CHK-C3

Unità potenziometro: ACS55-POT

Kit DriveConfig: per ulteriori informazioni, contattare la sede ABB locale. Vedere la *Guida utente di DriveConfig* [3AFE68910897 (inglese)].

Gebruikershandleiding

voor type ACS55
AC omvormers
van 0,18 tot 2,2 kW



Nederlands NL

Informatie over producten en service

Wendt u zich voor meer informatie over het product tot uw plaatselijke ABB-vertegenwoordiger, waarbij u de type-aanduiding en het serienummer van de betreffende unit vermeldt. Een lijst met ABB verkoop-, ondersteunings- en servicecontacten is te vinden op www.abb.com/drives door *Sales, Support and Service network* te kiezen.

Producttraining

Voor informatie over ABB-producttraining gaat u naar www.abb.com/drives en selecteert u *Training courses*.

Feedback geven over ABB-omvormerhandleidingen

Uw commentaar op onze handleidingen is welkom. Ga naar www.abb.com/drives, en kies *Document Library – Manuals feedback form (LV AC drives)*.

3AUA68929300 Rev C

NL

Geldig vanaf: 2010-04-12

ABB bv.

Afd.: Drives (ATAP/DM)

Postbus 301

3000 AH Rotterdam

NEDERLAND

Telefoon (alg.) +31 (0)10 - 4078 886

Telefax +31 (0)10 - 4078 433

Telefoon supportline+31 (0)10 - 4078 859

Internet www.abb.com/motors&drives

s.a. ABB n.v.

Afd.: Drives (ATDPZ)

Hoge Wei 27

1930 Zaventem

BELGIË

Telefoon +32 (0)2 7186 311

Telefax +32 (0)2 7186 664

Veiligheidsinstructies

Lees de volgende instructies goed door voordat u verder gaat met installeren.

Waarschuwing! Gevaarlijke spanning!

Alleen een vakbekwaam elektromonteur mag de ACS55 installeren.

Voer nooit werkzaamheden uit aan de omvormer, de motorkabel of de motor wanneer de voedingsspanning ingeschakeld is. Wacht altijd tenminste vijf minuten nadat de voedingsspanning uitgeschakeld is voordat u aan de omvormer begint te werken, zodat de condensatoren in de tussenkring ontladen zijn.

Waarschuwing! Als het koellichaam niet goed geaard is, kunt u een elektrische schok krijgen als u het koellichaam aanraakt.

Opmerking: DIP-switches staan onder gevaarlijke spanning.

Opmerking: Zelfs als de motor stilstaat staat er gevaarlijke spanning op de klemmen van de hoofdstroomkring L/R, N/S, T1/U, T2/V en T3/W.

Opmerking: Zelfs als de omvormer uitgeschakeld wordt, kan er gevaarlijke externe spanning afkomstig van een externe bron op de klemmen van de relaisuitgangen staan.

Waarschuwing! Hete oppervlakken!

Tijdens bedrijf kan het koelelement hoge temperaturen bereiken (>80°C). Zorg er voor dat de installatie-instructies gevolgd worden.

Algemene veiligheidsvoorschriften

De ACS55 start de motor automatisch na een onderbreking van de voeding als het externe startsignaal actief is.

Probeer een defecte omvormer nooit zelf te repareren. De ACS55 kan niet ter plaatse worden gerepareerd. Neem contact op met de leverancier voor een vervangende omvormer.

Installeer de ACS55 in een afgesloten ruimte of in een ruimte die alleen met gereedschap kan worden geopend.

Sluit de voedingsspanning niet vaker dan één keer per drie minuten aan op de omvormer.

Het veranderen van de DIP-switches heeft gevolgen voor de functie en de prestatie van de ACS55. Controleer dat de veranderingen geen risico vormen voor personen of goederen.

Over deze handleiding

Deze gids bevat informatie die nodig is voor het installeren en opstarten van de omvormer.

Controle bij aflevering

De levering bevat:

1. ACS55
2. Gebruikershandleiding
3. Twee kabelklemmen voor de besturingskabel (alleen bij EMC omvormers).

Controleer het typeplaatje en controleer of het geleverde apparaat overeenkomt met de order.

ABB ACS55-01E-09A8-2	
IP20	
U1 1~200..240V	U2 3~0..U1
f1 50/60Hz	f2 0..250Hz
I1 22.0 A	I2 9.8A
Pn motor: 2.2 kW (3 HP)	
S/N MYYWWRXXXX	
3AFE XXXXXXXX	
CE	RoHS
Made in China	

ACS55-01 - -

EMC-filter: E = Ingebouwd, N = Nee

Max. continue uitgangsstroom (I_2):

01A4 = 1,4 A, 02A2 = 2,2 A, 04A3 = 4,3 A,

07A6 = 7,6 A, 09A8 = 9,8 A

Voedingsspanning (U_1):

1 = 110...120 VAC +10%/-15%

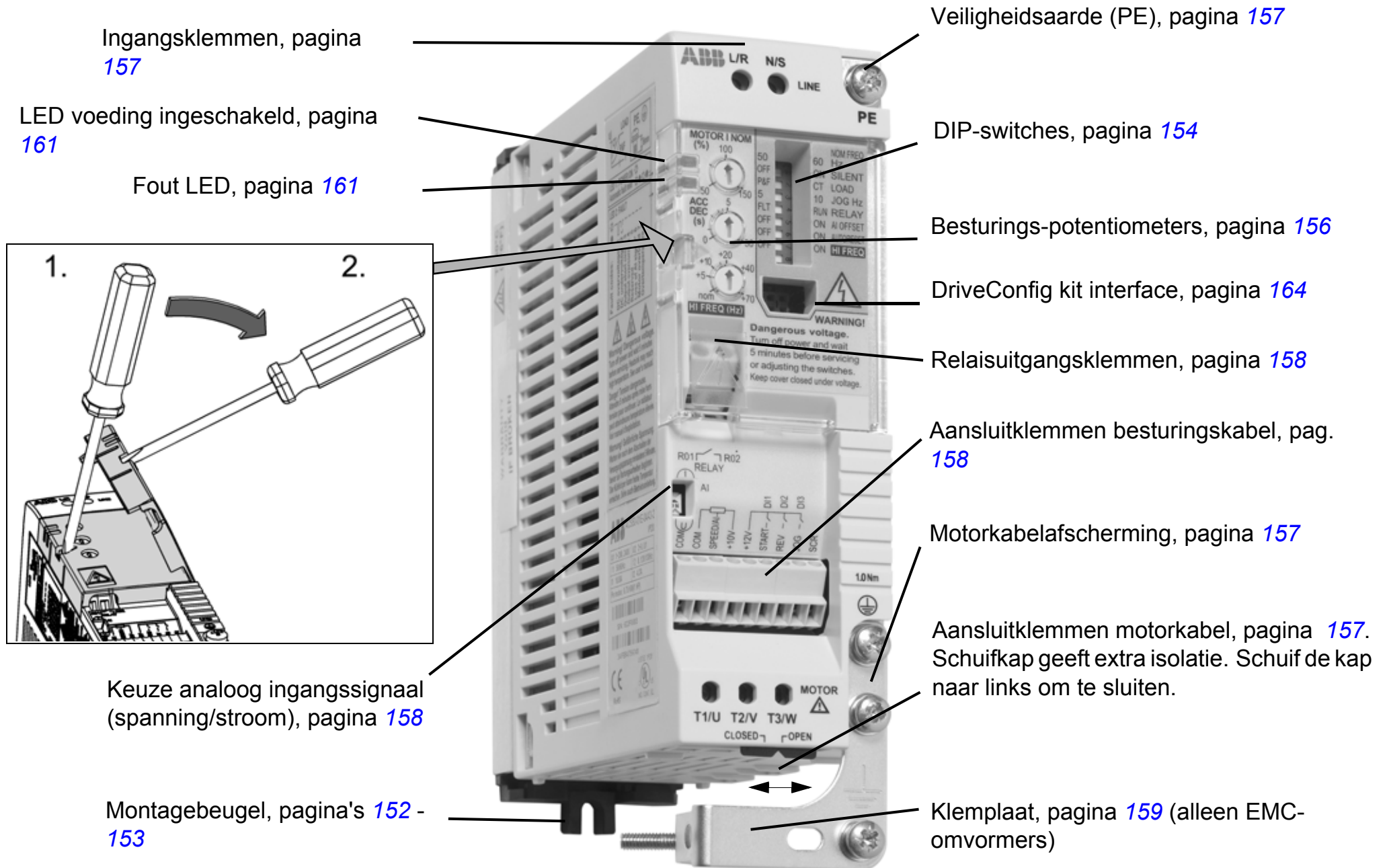
2 = 200...240 VAC +10%/-15%

Serienummer (S/N) staat op het typeplaatje.

(M = fabricageplaats, YY = fabricagejaar, WW = fabricageweek, R = product-revisienummer (A, B, C...), XXXX = integer die elke week weer bij 0001 begint)

Overzicht van de omvormer

ACS55-omvormer stuurt het toerental van een 3-fase AC inductiemotor.



Stappen voor installatie en opstarten

Lees de [Veiligheidsinstructies](#) op pagina [147](#) voordat u verder gaat.

	Actie	Pag.
1	Controle van de levering.	147
2	Zorg er voor dat de installatie-omgeving geschikt is voor de ACS55.	150
3	Monteer de omvormer.	152 - 153
4	Controleer of de standaardinstellingen van toepassing zijn: nominale frequentie van de motor is 50 Hz; de belasting is een pomp of een ventilator; maximale uitgangsfrequentie is 50 Hz. Als de standaardinstellingen niet geschikt zijn, pas dan de instellingen aan met behulp van de DIP-switches.	154
5	Controleer dat de MOTOR I NOM potentiometer overeenkomt met de nominale stroom van de motor. Het bepaalt de werking van de thermische beveiligingsfunctie van de motor.	156
6	Pas de acceleratie/deceleratielijd potentiometer ACC/DEC aan, indien nodig.	156
7	Sluit de voedingskabel en de motorkabels aan.	157
8	Sluit de besturingsdraden aan.	158
9	Schakel de voeding in. Groene LED brandt. Opmerking: de motor draait als het startsignaal actief is.	
10	Stel de toerental-referentie in en activeer het startsignaal. De motor zal accelereren tot de ingestelde toerentalreferentie.	160

De isolatie van de omvormer controleren

Voer geen spanningstolerantie- of isolatieweerstandsmetingen uit (bijvoorbeeld met een hi-pot of megger) op enig onderdeel van de omvormer, aangezien het testen de omvormer kan beschadigen. Elke omvormer is in de fabriek getest of er tussen het hoofdcircuit en het chassis isolatie zit. Ook zitten er in de omvormer spanningsbeperkende circuits die automatisch de testspanning verlagen.

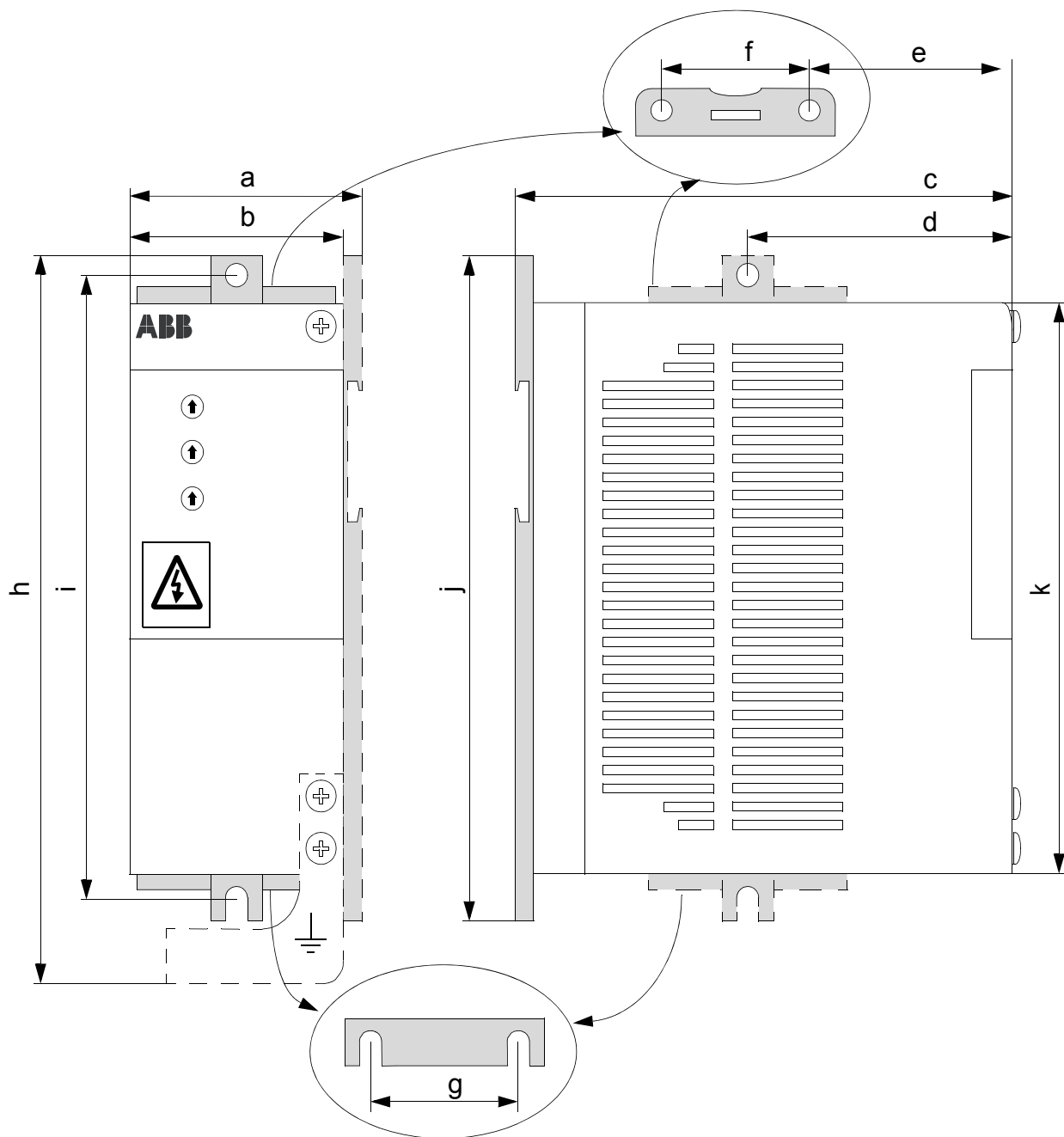
Beperkingen aan de omgeving

	Installatieplaats	Opslag en transport in beschermende verpakking	
Luchttemperatuur	-20°C (-4°F), geen vorst toegestaan ¹⁾ +40°C (104°F), bij nominale belasting +50°C (122°F), als de continue uitgangsstroom max. 85% van de nominale uitgangsstroom I_2 is +55°C (131°F), als de continue uitgangsstroom max. 75% van de nominale uitgangsstroom I_2 is.	-40°C (-40°F) tot +70°C (158°F)	
Hoogte	0...2000 m (0...6.600 voet). Bij een hoogte van 1000...2000 m (3.300...6.600 voet), worden P_N en I_2 verminderd met 1% voor elke 100 m.	Geen beperking	
Relatieve vochtigheid	Minder dan 95%, niet-condenserend	Minder dan 95%, niet-condenserend	
Verontreinigingsniveaus (IEC 60721-3-3)	<ul style="list-style-type: none"> • Geen geleidend stof toegestaan • Lucht moet schoon zijn en vrij van corrosieve materialen en geleidend stof • Chemische gassen: Klasse 3C2 • Vaste deeltjes: Klasse 3S2 	Opslag	Transport
		<ul style="list-style-type: none"> • Geen geleidend stof toegestaan • Chemische gassen: Klasse 1C2 • Vaste deeltjes: Klasse 1S2 	<ul style="list-style-type: none"> • Geen geleidend stof toegestaan • Chemische gassen: Klasse 2C2 • Vaste deeltjes: Klasse 2S2
Sinus-slingering (IEC 60068-2-6)	Frequentiebereik: 5...150 Hz Constante piek acceleratie: 1 g	In overeenstemming met ISTA 1A specificatie	
Schok (IEC 60068-2-29)	Niet toegestaan	Max. 100 m/s ² (330 ft/s ²), 11 ms (36 fts)	
Vrije val	Niet toegestaan	Niet toegestaan	

1) Laat de voedingsspanning aan staan wanneer de omvormer bij temperaturen onder nul gebruikt wordt. Installeer de omvormer in een behuizing. Zorg er voor dat de door de omvormer gevormde warmte op de juiste manier afgevoerd wordt.

Beschermingsgraad van de ACS55 is IP20.

Afmetingen



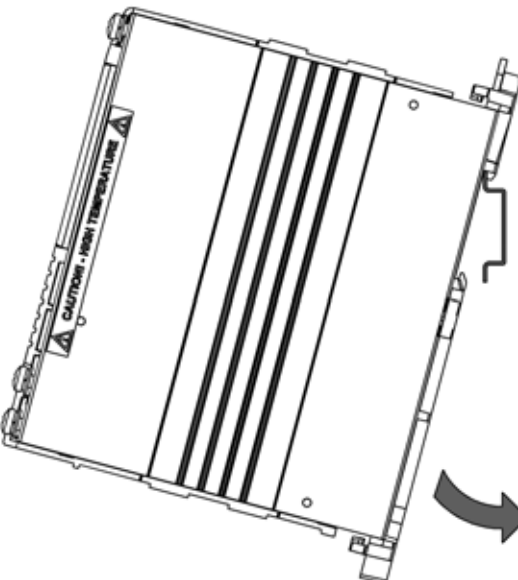
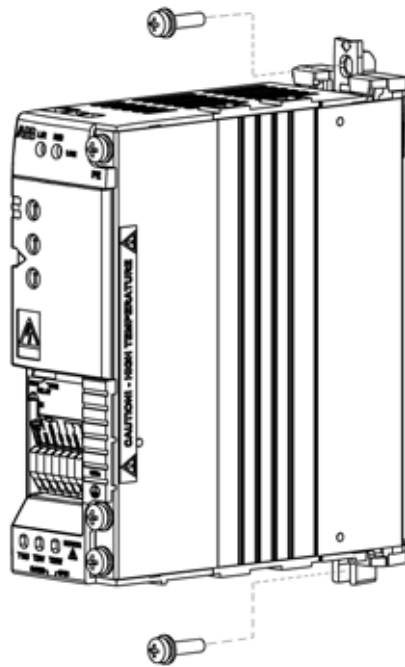
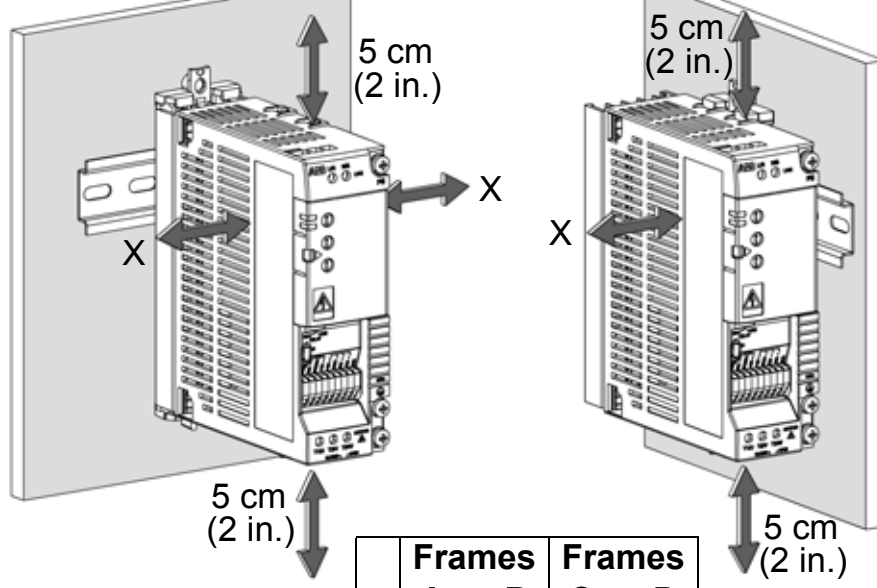
	Frame A mm (in.)	Frame B mm (in.)	Frame C mm (in.)	Frame D mm (in.)
a	53 (2,09)	72 (2,83)	74 (2,91)	74 (2,91)
b	45 (1,77)	67,5 (2,66)	70 (2,76)	70 (2,76)
c	128 (5,04)	128 (5,04)	159 (6,26)	159 (6,26)
d	67,5 (2,66)	67,5 (2,66)	-	-
e	-	-	77 (3,03)	77 (3,03)
f	-	-	40 (1,57)	40 (1,57)
g	-	-	40 (1,57)	40 (1,57)
h	183 (7,20)	183 (7,20)	-	230 (9,06)
i	156 (6,14)	156 (6,14)	182 (7,17)	214 (8,43)
j	170 (6,69)	170 (6,69)	194 (7,64)	226 (8,90)
k	146,5 (5,77)	146,5 (5,77)	171 (6,73)	203 (7,99)

Montage

Waarschuwing! Bij normaal bedrijf zal de omvormer een hoge temperatuur bereiken. Zorg in alle omstandigheden voor voldoende koelluchtstroming:

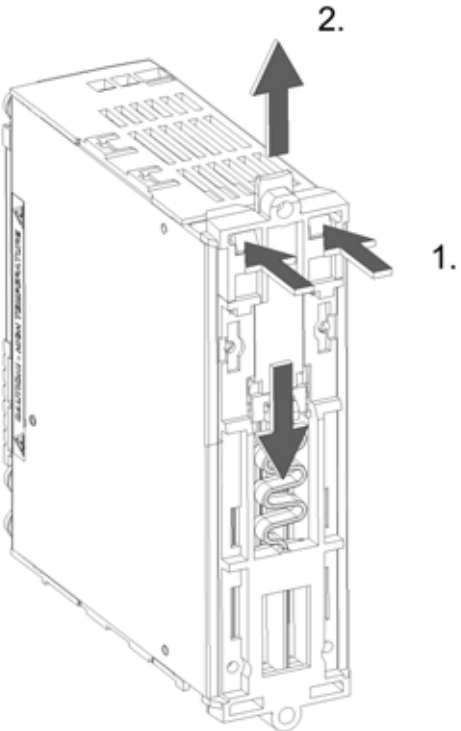
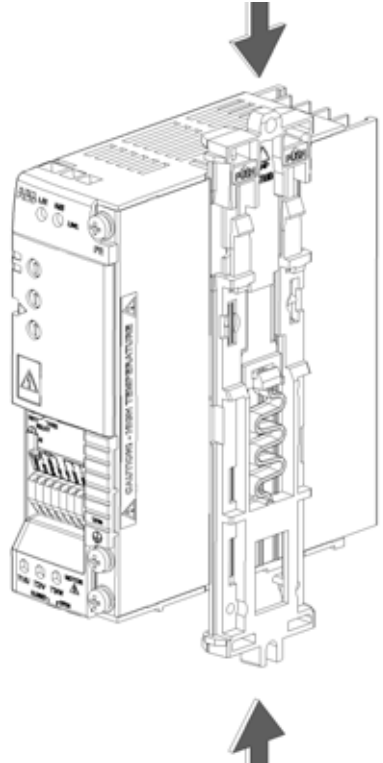
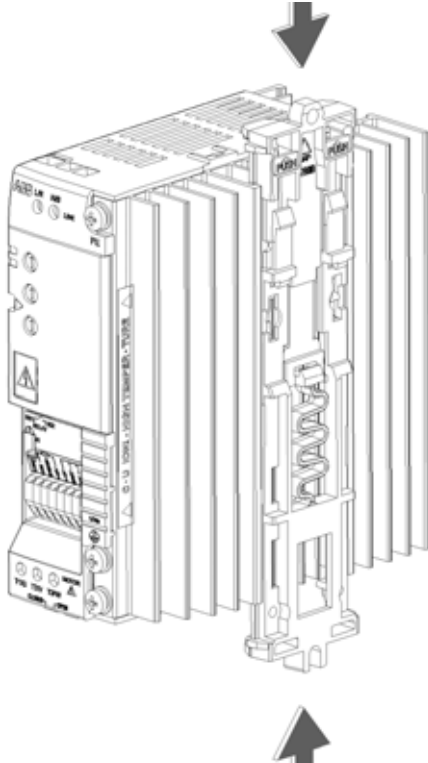
- Installeer de ACS55 altijd zodanig, dat de koelvinnen verticaal staan.
- Laat voldoende ruimte vrij rond de omvormers met frame A en B. Omvormers met frame C en D worden door een ventilator gekoeld, zodat ze naast elkaar geïnstalleerd kunnen worden zonder extra onderlinge ruimte.

Installeer de omvormer met gebruikmaking van de montagebeugel op een 35 mm DIN rail of aan een wand.

Montage op DIN rail "Klik" de ACS55 op de rail. Druk op het hendeltje bovenaan de montagebeugel om de omvormer los te maken.	Wandmontage Installeer de omvormer aan de wand door middel van de montagebeugel. Gebruik M4 schroeven.	Vrije ruimte Laat altijd voldoende ruimte vrij rond de omvormer zodat er voldoende koeling plaatsvindt.						
		 <table border="1" data-bbox="1590 1260 1937 1444"> <thead> <tr> <th></th> <th>Frames A en B cm (in.)</th> <th>Frames C en D cm (in.)</th> </tr> </thead> <tbody> <tr> <td>X</td> <td>1,5 (0,6)</td> <td>0 (0)</td> </tr> </tbody> </table>		Frames A en B cm (in.)	Frames C en D cm (in.)	X	1,5 (0,6)	0 (0)
	Frames A en B cm (in.)	Frames C en D cm (in.)						
X	1,5 (0,6)	0 (0)						

Bevestigen en losmaken van de wandmontagebeugel

De omvormer kan gemonteerd worden met de brede of met de smalle zijde tegen de wand. Installeer de montagebeugel aan de gewenste zijde. Zie onderstaande instructies voor frame A en B. Maak de montagebeugel van frame C en D los door hem naar beneden te trekken en bevestig hem door hem omhoog te duwen.

<p>Losmaken van de montagebeugel, Frame A en B: Druk op de twee plastic knopjes om het bovenste en onderste deel van de beugel van elkaar los te maken.</p>	<p>Bevestigen van de montagebeugel, Frame A: Plaats de twee delen zoals aangegeven en klik ze aan elkaar.</p>	<p>Bevestigen van de montagebeugel, Frame B: Duw de twee delen tussen de koelvinnen en klik ze aan elkaar.</p>
		

DIP-switches

DIP-switches worden gebruikt om de ACS55 aan te passen aan de motor en de toepassing.

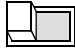
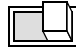



Waarschuwing! De DIP-switch staat onder gevaarlijke spanning (200 V). Schakel de voeding uit en wacht vijf minuten alvorens de DIP-switches aan te passen. Houd de beschermingskap gesloten wanneer de voeding van de ACS55 ingeschakeld is.

Configuratie

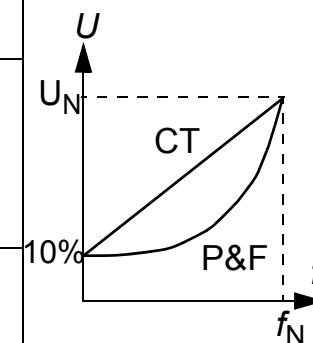
- Open de voorkap met de punt van een schroevendraaier, en pas de DIP-switches aan.
- Gebruik de punt van een schroevendraaier om de switch naar links of naar rechts te schuiven. Standaard staan alle switches in de linker positie.
- Sluit de voorkap.

Basis-informatie

DIP-switch	#	Naam en functie	Standaard instelling 	Alternatieve instelling 
	1	NOM FREQ HZ: nominale motorfrequentie	50 Hz	60 Hz
	2	SILENT: geluidsniveau van de motor (PWM schakelfrequentie)	UIT - Normaal (5 kHz)	AAN - Stil (16 kHz)
	3	LOAD: Type belastingskoppel (U/f curve)	P&F - Pomp/ventilator	CT - Constant koppel
	4	JOG HZ: constante frequentie voor de jog-functie	5 Hz	10 Hz
	5	RELAY: Werking relaisuitgang	FLT - Fout	RUN - Motor loopt
	6	AI OFFSET: Minimum waarde voor analoge ingang	UIT - 0 mA (0 V)	AAN - 4 mA (2 V)
	7	AUTORESET: automatische fout-reset functie	UIT - Geen autoreset	AAN - Autoreset ingeschakeld
	8	HI FREQ: hoge frequentie modus	UIT - Standaard	AAN - Hoge frequentie ingeschakeld

Aanvullende informatie

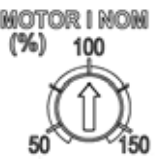

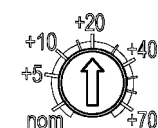
Nr.	Naam	Informatie
1	NOM FREQ Hz	Bepaalt de nominale motorfrequentie (zie typeplaatje van de motor).
2	SILENT	Bepaalt de schakelfrequentie van de omvormer. Opmerking: Hoe hoger de frequentie, des te meer elektromagnetische ruis en des te korter de toegestane motorkabellengte om te voldoen aan de Europese EMC-regelgeving. Zie Technische gegevens op pagina 162. Opmerking: De schakelfrequentie past zich aan aan de temperatuur van de ACS55.
3	LOAD	Optimaliseert de uitgangsspanning en frequentiekaracteristieken al naargelang de belasting. Selecteer P&F voor het kwadratisch koppel (bijvoorbeeld pompen en ventilatoren) en CT voor de constant koppel toepassingen (bijvoorbeeld transportbanden). De ACS55 voert automatisch de startspanning 10% op om de motorverliezen te compenseren en het startkoppel te verhogen.
4	JOG Hz	Bepaalt de jog-frequentie. Activeer de jog-functie door 12...24 VDC aan te sluiten op digitale ingang 3 ("JOG"). (Omvormer accelereert of decelereert tot de jog-frequentie, en blijft daar totdat de ingang uitgeschakeld wordt.)
5	RELAY	Selecteert de omvormer-status die het normaal open contact van de relaisuitgang aangeeft. FLT = Fout. Contact is open bij een fout status of een voeding-uitgeschakeld status. RUN = In bedrijf. Contact is gesloten bij in bedrijf zijn.
6	AI OFFSET	Activeert een draadbreek-bewaking voor de analoge ingang. 4 mA (2 V) = ACS55 valt in fout als de waarde onder de limiet daalt. Zie de sectie Toerentalregeling op pagina 160 voor informatie over schaling van analoge ingang.
7	AUTO- RESET	Activeert de automatische reset-functie voor de volgende fouten: onderspanning, overspanning, analoog ingangsverlies. AAN = ACS55 zal proberen automatisch te resetten drie seconden nadat er een fout opgetreden is. Het maximum aantal resets is tien in drie minuten. Als dit overschreden wordt, zal de ACS55 stoppen en geen nieuwe reset meer proberen. Zie ook Status-indicaties en foutopsporing op pagina 161. Waarschuwing! Als het startsignaal actief is, zal de motor gestart worden na een reset. Zorg er voor dat dit geen gevaar zal veroorzaken.
8	HI FREQ	Bepaalt de maximale uitgangsfrequentie. UIT: Max. frequentie = waarde gedefinieerd door de NOM FREQ HZ switch. AAN: Max. frequentie = waarde gedefinieerd door de NOM FREQ HZ switch + waarde van de HI FREQ potentiometer. Zie Besturings-potentiometers op pagina 156.



Zie voor meer informatie *DriveConfig User's Guide* [3AFE68910897 (Engels)].

Besturings-potentiometers

De besturings-potentiometers kunnen aangepast worden met een schroevendraaier. Standaard staan alle potentiometers in hun middelste stand.

 <p>MOTOR I NOM (%)</p>	MOTOR I NOM	<p>Bereken MOTOR I NOM met behulp van onderstaande vergelijking of kies een waarde uit de onderstaande MOTOR I NOM keuzetabel. De ACS55 schat de temperatuur van de motor op basis van de gemeten uitgangsstroom en de gedefinieerde nominale motorstroom. De omvormer valt in fout als de geschatte temperatuur oververhitting van de motor impliceert. Opmerking: Als de motorkabels lang zijn en grote capacatieve stromen veroorzaken, kan het nodig zijn om de MOTOR I NOM instelling te verhogen.</p> $\text{MOTOR I NOM (\%)} = \frac{\text{Nominale stroom motor [A]}}{\text{Nominale stroom ACS55 [A]}} \cdot 100\%$
 <p>ACC DEC (s)</p>	ACC/DEC	<p>Bepaalt de acceleratie en deceleratie-tijd van minimum tot maximum toerental en vice versa in seconden. Hoe langer de ACC/DEC tijd, des te langzamer zal de ACS55 de gegeven referentie volgen.</p>
 <p>HI FREQ (Hz)</p>	HI FREQ	<p>Begrenst de uitgangsfrequentie tot een gewenste waarde tussen nominale frequentie en nominale frequentie + 70 Hz. Zet, om deze potentiometer te gebruiken, de hoge frequentie modus aan met de HI FREQ DIP-switch. Zie DIP-switches op pagina 154.</p>

MOTOR I NOM keuzetabel

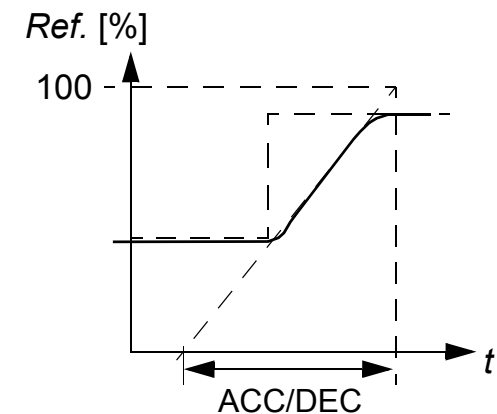
Nominale motorstroom [A]

ACS55-01x-

-01A4-x	0,7	0,8	1,0	1,2	1,4	1,6	1,8	2,0	2,1		
-02A2-x	1,1	1,3	1,5	1,8	2,0	2,2	2,4	2,6	2,8	3,0	3,3
-04A3-x	2,2	2,6	3,0	3,5	4,0	4,3	4,7	5,2	5,6	6,0	6,5
-07A6-x	3,8	4,6	5,3	6,1	6,8	7,6	8,4	9,3	10,2	11,4	
-09A8-x	4,9	5,9	6,9	7,8	8,8	9,8	10,8	12,0	13,3	14,7	

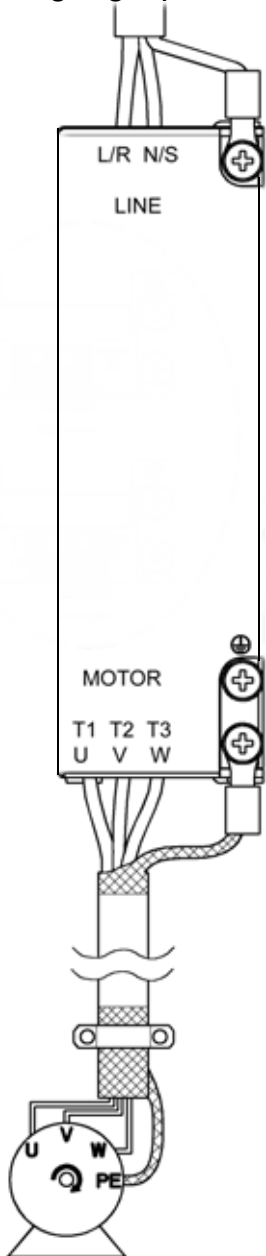
MOTOR I NOM 50 60 70 80 90 100 110 120 130 140 150%

ACC/DEC tijd




Aansluiting van de voeding en de motor

1-fase
ingangsspanning



⚠ Waarschuwing! Zorg er voor dat de hoofdvoeding uitgeschakeld is alvorens aan de installatie te beginnen.
Opmerking: Zorg voor de juiste voeding! Het aansluiten van 230 VAC op de ACS55 omvormer met nominale waarde 115 VAC ingang zal de omvormer beschadigen!

Aansluitklem	Beschrijving	Aderdiameter	Aanhaal-moment
L/R, N/S	1~ voeding ingang	Max. 2,5 mm ² (frames A en B) of max. 4 mm ² (frames C en D) kabel met vier geleiders	0,5 N·m
T1/U, T2/V, T3/W	Vermogensuitgang naar motor		
PE 	Veiligheidsaarde. Veiligheidsader en afscherming motorkabel.	Gebruik veeldradige koperdraad. Doorsnede van de draad mag niet kleiner zijn dan de doorsnede van de gebruikte vermogenskabel.	1 N·m

Waarschuwing! Als het koellichaam niet goed geard is, kunt u een elektrische schok krijgen bij aanraking van het koellichaam.

Opmerking: Gebruik alleen de meegeleverde M4x8 combischroeven. De maximaal toegestane indringdiepte voor de aardschroeven is **6 mm**.

Volg de plaatselijke regels voor kabeldoorsneden. Gebruik vermogenskabel met nominale temperatuur van 60°C (140°F), of 75°C (167°F) als de omgevingstemperatuur boven de 30°C (86°F) ligt. Zie ook [Verdere bekabeling en EMC-instructies](#) op pagina 159.

De aardlekstroom van de ACS55 kan groter worden dan 3,5 mA AC / 10 mA DC. Volgens EN50178 mag de ACS55 alleen gebruikt worden in een permanente installatie.

Ingangszekering

Zie [Technische gegevens](#) op pagina 162 voor aanbevolen typen zekeringen.

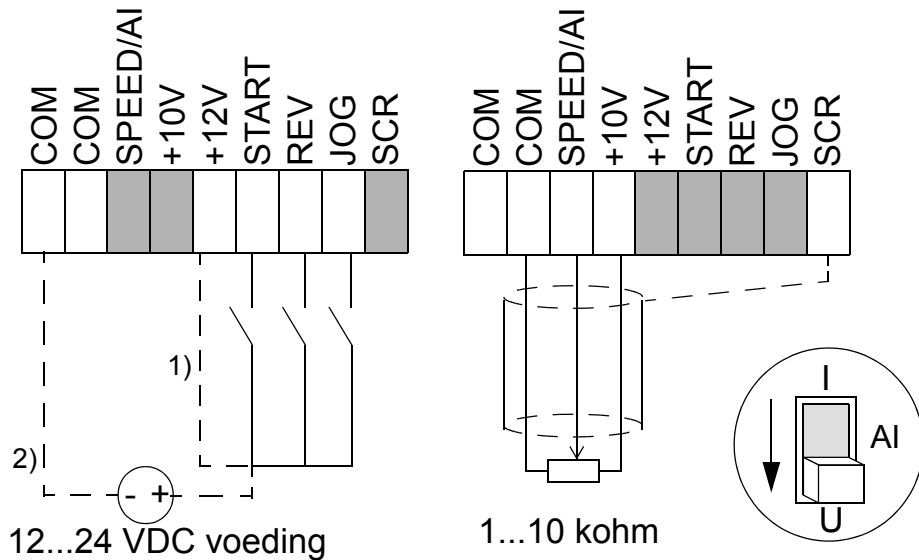
Motor

De motor moet een 3-fase AC inductiemotor zijn, met nominale spanning U_N van 200 tot 240 V en nominale frequentie f_N van 50 of 60 Hz. De nominale motorstroom dient minder te zijn of gelijk aan de nominale uitgangsstroom (I_2) van de omvormer.

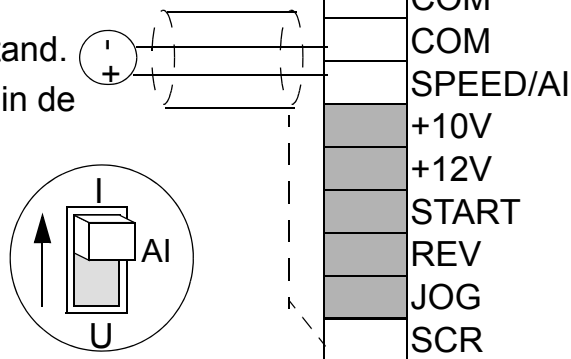
Als de fases aangesloten zijn, U-U, V-V en W-W, en de gekozen richting voorwaarts is, zal de as met de klok mee roteren, gezien vanaf het aseinde aan de omvormerzijde.

Aansluiten van de besturingsdraden

Interne (1) of externe (2) voeding kan gebruikt worden voor de digitale ingangen. Standaard is de analoge stuurspanning 0...10 VDC. (De AI jumper moet in de spanning- ("U") stand staan).



Bij gebruik van 0/4...20 mA stroomsignaal: - Zet de AI jumper in de stroom- ("I") stand.
- Zet de AI OFFSET switch in de AAN-stand als 4...20 mA stroomsignaal gewenst is.



Besturingsklemmen

- Geleider-afmeting: gevlochten 0,25...1,5 mm² (AWG 23 tot AWG 16)
- Aanhaalmoment: 0,25 N·m.

#	Naam	Beschrijving
1	COM	Aarde voor digitale of analoge ingangen ¹⁾
2	COM	Aarde voor digitale of analoge ingang ¹⁾
3	AI	Analoge ingang: Toerental- (frequentie-)referentie. 0/2...10 VDC (R _i =190 kohm), of 0/4...20 mA (R _i =100 ohm). Resolutie 0,1%, nauwkeurigheid +/- 1%.
4	+10V	Referentiespanning voor analoge ingang. Nauwkeurigheid +/-2%. Max. 10 mA.
5	+12V	Hulpspanning voor digitale ingangen. Max. 30 mA.
6	START	Digitale ingang 1: Start (reset de omvormer na optreden van een fout) ²⁾
7	REV	Digitale ingang 2: Omgekeerde draairichting ²⁾
8	JOG	Digitale ingang 3: Activeert jog-toerental ²⁾
9	SCR	Aarde voor signaalkabel-afscherming. Intern verbonden met de aarde van het frame.
Relaisuitgang		
1	RO1	Fout: Relais open. 12 V...250 VAC / 30 VDC
2	RO2	10 mA...2 A

1) Intern verbonden met frame (aarde) via 1 Mohm weerstand.

2) Digitale ingangs-impedantie is 1,5 kohm.

Verdere bekabeling en EMC-instructies

Volg deze instructies voor probleemloze werking en om zeker te zijn van overeenstemming met de Europese EMC-richtlijn.

Motorkabel

De motorkabel dient een symmetrische, drie-aderige kabel te zijn met een concentrische PE geleider of een vier-aderige kabel met een concentrische afscherming. Een gevlochten metalen afscherming wordt aanbevolen, bijvoorbeeld type MCCMK (NK Cables).

- Draai de kabelafschermingsdraden in een bundel bij elkaar en sluit ze aan op de aardklem \perp . Houd de bundel zo kort mogelijk.
- Klem de kabelafscherming zoals in de figuur wanneer een intern of extern EMC-filter gebruikt wordt.

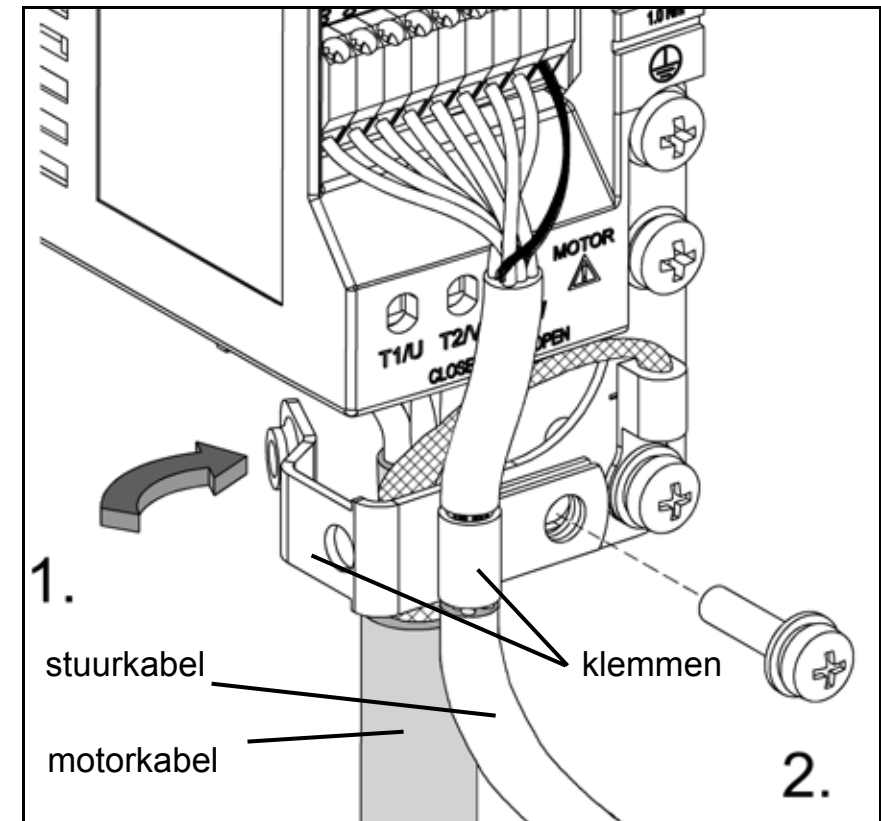
Aan de motorzijde moeten de motorkabelafschermingen over 360 graden geaard zijn met een EMC-kabelwartel, of de afschermingsdraden moeten samengedraaid worden in een bundel die niet langer is dan vijf keer de breedte, en aangesloten worden op de PE-klem van de motor.

Besturingskabels

Besturingskabels moeten kabels met een meervoudige kern en een gevlochten koperen afscherming zijn. Een dubbel afgeschermd kabel bestaande uit een getwist paar is aanbevolen voor de analoge signalen.

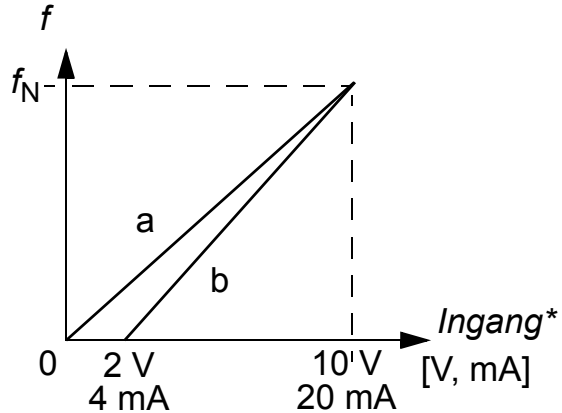
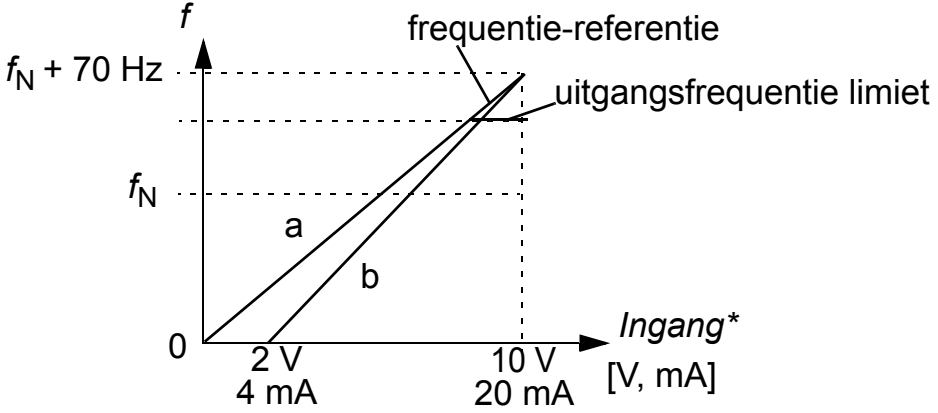
- Draai de afscherming bij elkaar in een bundel en sluit aan op klem SCR. Houd de bundel zo kort mogelijk.
- Klem de besturingskabel zoals in de figuur (alleen EMC-omvormers).
- Leid de motorkabel weg van de stuurdraden en de voedingskabel om elektromagnetische interferentie te vermijden (afstand > 20 cm).

Opmerking: Laat nooit signalen van 24 VDC en 115/230 VAC door dezelfde kabel lopen.



Toerentalregeling

De analoge ingang geeft de toerental- (frequentie-)referentie voor de ACS55. De samenhang tussen de analoge ingang en de referentie hangt af van de instelling van de DIP-switches zoals hieronder aangegeven. De uitgangsfrequentie volgt de referentieveranderingen zoals gedefinieerd door de ACC/DEC potentiometer.

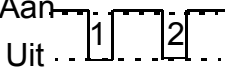
Hoge frequentie modus UIT (standaard)	Hoge frequentie modus AAN
 <p>DIP-switch instellingen: HI FREQ = UIT AI OFFSET = UIT (curve a) of AAN** (curve b) MOTOR NOM FREQ = 50 of 60 Hz</p> <p>De uitgangs-frequentie is begrensd tot de gekozen nominale frequentie van de motor.</p>	 <p>DIP-switch instellingen: HI FREQ = AAN AI OFFSET = UIT (curve a) of AAN** (curve b) MOTOR NOM FREQ = 50 of 60 Hz</p> <p>De werkelijke uitgangsfrequentie is begrensd tot een waarde tussen f_N en $f_N + 70$ Hz door de HI FREQ potentiometer. De potentiometer heeft geen effect op de schaling van de analoge ingang.</p>
<p>* Gebruik de AI jumper voor het kiezen van een spanning- of stroomsignaal. Zie pagina 158.</p> <p>** Om de omvormer te beschermen tegen analoge ingangssignaal-verlies, valt de omvormer in fout als de waarde van het signaal onder 2 V (4 mA) zakt.</p>	

Status-indicaties en foutopsporing

De ACS55 heeft twee status-indicatie LED's, zichtbaar door de frontkap.

Als de omvormer een probleem detecteert, zal de rode LED knipperen. Reset, na oplossing van het probleem, door uitschakelen van het startsignaal.

Als start al uit is, schakel dan eerst in en dan weer uit. Zie de tabel hieronder voor de foutcodes (= het aantal knipperingen van de LED).

Groene LED	Rode LED	Beschrijving
Aan	Uit	ACS55 werkt normaal.
Aan	Knipperend 	Beveiligingsfunctie is geactiveerd. Het aantal knipperingen geeft de foutcode aan.
Knipperend	Knipperend	De ACS55 zal binnen drie seconden automatisch resetten. (*) Waarschuwing! De motor start, als startsignaal aan is.

#	Mogelijke oorzaken en wat te doen	#	Mogelijke oorzaken en wat te doen
1	DC-overspanning (*). 1) Voedingsspanning is te hoog: Controleer de voeding. 2) Deceleratie helling-tijd is te kort vergeleken met de traagheid van de belasting: verhoog de ACC/DEC tijd met de potentiometer.	7	Motor overbelasting (I^2t overbelasting): 1) Controleer belasting en verifieer dat de motorafmeting geschikt is voor de ACS55. 2) Verifieer dat instelling van de MOTOR I NOM potentiometer correct is.
2	DC-onderspanning (*). Voedingsspanning is te laag: controleer de voeding.	8	Overbelasting van de omvormer of interne temperatuur te hoog: 1) belasting is te hoog of 2) omvormerkoeling is onvoldoende.
3	Kortsluiting uitgang: schakel de voeding uit en controleer de motorwikkelingen en de motorkabel.	9	Andere fout. Interne fout. Schakel de voeding uit en weer in. Als het probleem blijft bestaan, vervang dan de omvormer.
4	Overstroom uitgang. 1) Acceleratietijd is te kort vergeleken met de traagheid van de belasting: verhoog de ACC/DEC tijd met de potentiometer. 2) Grootte van de motor en van de omvormer passen niet bij elkaar: controleer motor.	10	Parametrisatiefout. Opmerking: Beide LED's knipperen. DIP-switches zijn verzet uit de standaardinstelling nadat de omvormer geparametriseerd is met DriveConfig tool. Zet de switches terug in de standaardinstelling.
5	Gereserveerd	11	Omvormer wordt gevoed vanuit een batterij. De omvormerstatus geeft een fout aan, omdat het niet mogelijk is om de omvormer te starten. Om de omvormer in bedrijf te nemen, moet de omvormer aangesloten zijn op het voedingsnet. Wanneer echter de omvormer gevoed wordt vanuit de voeding van de DriveConfig kit, dan is de aansluiting tussen DriveConfig en de omvormer OK.
6	Analoge ingangswaarde is minder dan 4 mA/2 V. (*) Opmerking: Deze bewaking is actief als AI OFFSET AAN is.	12	De omvormer werd bestuurd door DriveConfig (of een andere toepassing via seriële communicatie) en de communicatie is uitgevallen. Controleer de communicatie.

(*) Wordt automatisch gereset als de AUTORESET AAN is. Zie [DIP-switches](#) op pagina 154.

Technische gegevens

		230 V					115 V	
Ingebouwde EMC, ACS55-01E-		01A4-2	02A2-2	04A3-2	07A6-2	09A8-2	01A4-1	02A2-1
Geen EMC, ACS55-01N-		01A4-2	02A2-2	04A3-2	07A6-2	09A8-2	01A4-1	02A2-1
Continu uitgangsvermogen van de motor	kW	0,18	0,37	0,75	1,5	2,2	0,18	0,37
	pk	1/4	1/2	1	2	3	1/4	1/2
Frame-afmeting (geen EMC)		A	A	B	C	C	A	A
Frame-afmeting (EMC)		A	A	B	D	D	A	A
Nominale waarden								
Ingangsspanning U_1	V	200...240 (+10/-15%)					110...120 (+10/-15%)	
Continue uitgangsstroom I_2	A	1,4	2,2	4,3	7,6	9,8	1,4	2,2
Max. uitgangsstroom I_{2max}^*	A	2,1	3,3	6,5	11,4	14,7	2,1	3,3
Uitgangsspanning U_2	V	0... U_1 , 3-fase					0... $2 \times U_1$, 3-fase	
Ingangsstroom I_1	A	4,4	6,9	10,8	18,2	22,0	6,4	9,5
Schakelfrequentie	kHz	5 (max. 16)						
Beveiligingslimieten								
Overstroom (piek)	A	4,4	6,9	13,5	23,9	30,9	4,4	6,9
Overtemperatuur		95°C / 203°F (koellichaam)						
Maximum aderafmetingen								
Vermogensklemmen	mm ²	2,5 (AWG 14)			4 (AWG 12)		2,5 (AWG 14)	
Besturingsklemmen	mm ²	1,5 (AWG 16)						
Vermogensverliezen	W	21	32	51	74	103	24	35
Hoofdzekering afmeting**								
IEC, type IEC269 gG	A	10	16	16	25	32	10	16
UL, types CC en T	A	10	15	20	25	30	10	15
Gewicht, Ingebouwde EMC, ACS55-01E-	kg (lb)	0,65 (1,4)	0,7 (1,5)	0,9 (2)	1,6 (3,5)	1,7 (3,7)	0,65 (1,4)	0,7 (1,5)
Gewicht, Geen EMC, ACS55-01N-	kg (lb)	0,65 (1,4)	0,7 (1,5)	0,9 (2)	1,2 (2,6)	1,3 (2,9)	0,65 (1,4)	0,7 (1,5)

* Toegestaan gedurende 1 minuut.

** Aanbevolen waarden. Gebruik geen ultra snelle of lage-piek zekeringen. Volg de plaatselijke bepalingen.

Maximale motorkabellengtes

Om te voldoen aan de Europese EMC-regelgeving moet de motorkabellengte beperkt zijn zoals in onderstaande tabel aangegeven. Hoe korter de motorkabel, des te lager de emissies van ruis naar de voedingsleiding en de omgeving.

Omvormer type ACS55-01x-	Schakelfrequentie	
	5 kHz	16 kHz ¹⁾
Ingebouwd EMC-filter		
<i>EN61800-3, Eerste omgeving, onbeperkte distributie ²⁾</i>		
01A4-2, ..., 04A3-2	10 m	3 m
01A4-1, 02A2-1	10 m	3 m
07A6-2, 09A8-2	10 m	3 m
<i>EN61800-3, Eerste omgeving, beperkte distributie ³⁾</i>		
01A4-2, ..., 04A3-2	10 m	10 m
01A4-1, 02A2-1	10 m	10 m
07A6-2, 09A8-2	20 m	10 m
<i>EN61800-3, Tweede omgeving ³⁾</i>		
01A4-2, ..., 04A3-2	10 m	10 m
01A4-1, 02A2-1	10 m	10 m
07A6-2, 09A8-2	30 m	10 m

1) Schakelfrequentie kan gekozen worden met de DIP-switch. Zie pagina [155](#).

2) Alleen van toepassing op geleide emissies.

3) Van toepassing op geleide en stralings-emissies.

Beveiligingen

Overspanning, onderspanning, kortsluiting uitgang, overstroom, analoog ingangsverlies, motor overbelasting, omvormer overbelasting.

Zwevende distributienetwerken

Omvormers met ingebouwd EMC-filter mogen niet gebruikt worden in een zwevend netwerk of in een met hoge impedantie geaard industrieel distributienetwerk.

Milieu-informatie

Een te verwijderen product bevat waardevolle grondstoffen die gerecycled dienen te worden, waardoor energie en natuurlijke bronnen bespaard worden. Instructies voor verwijdering zijn beschikbaar via verkoop- en service-bedrijven van ABB.

Beperkte aansprakelijkheid

De fabrikant is niet verantwoordelijk voor:

- de kosten als gevolg van een fout indien het installeren, het in bedrijf stellen, de reparatie, wijziging of omgevingscondities van de omvormer niet aan de eisen voldoen die gespecificeerd zijn in de documentatie die bij de unit geleverd is en andere relevante informatie.
- units onderworpen aan verkeerd gebruik, nalatigheid of een ongeluk.
- units die uit materialen van de koper bestaan of gebaseerd zijn op ontwerpen van de koper.

Onder geen enkele omstandigheid zullen de fabrikant, haar leveranciers of onderaannemers aansprakelijk zijn voor bijzondere, indirecte, bijkomende of gevolgschades, verliezen of boetes.

Als u vragen heeft over uw ABB omvormer, neem dan contact op met uw plaatselijke distributeur of het ABB-kantoor. De technische gegevens, informatie en specificaties gelden ten tijde van het drukken. De fabrikant behoudt zich het recht voor tot wijzigingen zonder voorafgaande kennisgeving.

Goedkeuringen

CE

De ACS55 voldoet aan de eisen van de Europese

- Laagspanningsrichtlijn 73/23/EEC met amenderingen
- EMC-richtlijn 89/336/EEC met amenderingen.

De betreffende verklaringen en een lijst met de belangrijkste normen zijn op verzoek te verkrijgen.

Elektromagnetische compatibiliteit:

De ACS55 voldoet aan de volgende normen, mits de installatie correct uitgevoerd is en volgens de instructies in deze handleiding:

Hoogfrequente geleide emissies	EN61800-3, eerste omgeving, onbeperkte/bepaalde distributie ¹⁾
Hoogfrequente stralingsemissies	EN61800-3, eerste omgeving, beperkte distributie
Immunititeit	EN61800-3, tweede omgeving
Harmonische eigenschappen voedingsstroom	IEC61000-3-2

1) Neem de maximaal toegestane motorkabellengtes en de schakelfrequentie in acht, pagina [163](#). Zie ook de bekabelingsinstructies op pagina [159](#).

De harmonische stroomniveaus kunnen verminderd worden door externe ingangs-smoorspoelen te monteren.

UL, cUL en C-Tick markeringen

Zie het typeplaatje.

UL, cUL:

De ACS55 is geschikt voor gebruik in een voedingsnet dat tot max. 65 kA rms symmetrische ampères kan leveren, bij max. 230 Volt, wanneer beveiligd met zekeringen van klasse CC of T.

C-Tick:

Voor elektromagnetische compatibiliteit, zie de specificatie in de sectie [CE](#) hierboven.

Overeenstemming met de Europese Machinerichtlijn

De omvormer voldoet aan de vereisten van de Europese Machinerichtlijn voor apparatuur bestemd om in machines te worden ingebouwd. De Verklaring van Inbouw is verkrijgbaar bij ABB.

Productbescherming in de VS

Dit product wordt beschermd door een of meer van de volgende VS-octrooien:

4,920,306	5,301,085	5,463,302	5,521,483	5,532,568	5,589,754	5,612,604
5,654,624	5,799,805	5,940,286	5,942,874	5,952,613	6,094,364	6,147,887
6,175,256	6,184,740	6,195,274	6,229,356	6,252,436	6,265,724	6,305,464
6,313,599	6,316,896	6,335,607	6,370,049	6,396,236	6,448,735	6,498,452
6,552,510	6,597,148	6,600,290	6,741,059	6,774,758	6,844,794	6,856,502
6,859,374	6,922,883	6,940,253	6,934,169	6,956,352	6,958,923	6,967,453
6,972,976	6,977,449	6,984,958	6,985,371	6,992,908	6,999,329	7,023,160
7,034,510	7,036,223	7,045,987	7,057,908	7,059,390	7,067,997	7,082,374
7,084,604	7,098,623	7,102,325	7,109,780	7,164,562	7,176,779	7,190,599
7,215,099	7,221,152	7,227,325	7,245,197	7,250,739	7,262,577	7,271,505
7,274,573	7,279,802	7,280,938	7,330,095	7,349,814	7,352,220	7,365,622
7,372,696	7,388,765	7,408,791	7,417,408	7,446,268	7,456,615	7,508,688
7,515,447	7,560,894	D503,931	D510,319	D510,320	D511,137	D511,150
D512,026	D512,696	D521,466	D541,743S	D541,744S	D541,745S	
D548,182S	D548,183S	D573,090S				

Overige octrooien aangevraagd.

Accessoires

Ingangssmoorspoelen: CHK-A1, CHK-B1, CHK-C1, CHK-D1

Uitgangssmoorspoel: ACS-CHK-B3, ACS-CHK-C3

Potentiometer unit: ACS55-POT

DriveConfig kit, neem voor meer informatie contact op met uw plaatselijk ABB-kantoor. Zie *DriveConfig User's Guide* [3AFE68910897 (Engels)].

Manual do Utilizador

para o tipo ACS55
AC Drives
de 0,18 até 2,2 kW



Português PT

Consultas de produtos e serviços

Envie todas as consultas sobre produtos para o representante local da ABB, indicando a designação do tipo e o número de série da unidade em questão. Está disponível em www.abb.com/drives uma lista com os contactos da ABB dos departamentos de Vendas, Apoio ao Cliente e Service em *Sales, Support and Service network*.

Formação em produtos

Para mais informação sobre formação em produtos ABB, aceda a www.abb.com/drives e seleccione *Training courses*.

Informação sobre os manuais de Conversores de Frequência ABB

Agradecemos os seus comentários sobre os nossos manuais. Aceda a www.abb.com/drives, seleccione *Document Library – Manuals feedback form (LV AC drives)*.

3AFE68929300 Rev C
PT
Efectivo: 2010-04-12

ABB, S.A.
Quinta da Fonte
Edifício Plaza I
2774-002 Paço de Arcos
PORTUGAL
Telefone +351 214 256 239
Telefax +351 214 256 392
Internet <http://www.abb.com>

Instruções de segurança

Leia atentamente as seguintes instruções antes de prosseguir com a instalação.

Aviso! Tensão perigosa!

Apenas um electricista qualificado pode instalar o ACS55.

Nunca trabalhe no conversor de frequência, cabo do motor ou motor com a alimentação ligada. Depois de desligar a alimentação, aguarde sempre 5 minutos para deixar os condensadores do circuito intermédio descarregarem antes de iniciar os trabalhos no conversor de frequência.

Aviso! Se o dissipador não for ligado à terra correctamente, pode sofrer um choque eléctrico ao tocar no mesmo.

Nota: Os comutadores DIP encontram-se a uma tensão perigosa.

Nota: Mesmo quando o motor está parado, existem tensões perigosas presentes nos terminais do circuito de potência L/R, N/S, T1/U, T2/V e T3/W.

Nota: Mesmo quando a unidade está desligada, podem existir tensões externas perigosas ligadas do exterior aos terminais de saída a relé.

Aviso! Superfícies quentes!

Durante a operação, o elemento de refrigeração pode atingir temperaturas elevadas (>80°C). Certifique-se que todas as instruções de instalação são cumpridas.

Instruções gerais de segurança

O ACS55 arranca o motor automaticamente após uma quebra de alimentação se o sinal de arranque externo estiver ligado.

Nunca tente reparar uma unidade avariada. O ACS55 não pode ser reparado no terreno. Contacte o fornecedor para proceder à sua substituição.

Instale o ACS55 num espaço fechado ou que só possa ser aberto com chave.

Não ligar a alimentação à unidade mais de uma vez em cada três minutos. A alteração dos comutadores DIP afecta o funcionamento e o desempenho do ACS55. Verificar se as alterações não apresentam riscos para pessoas ou para a propriedade.

Sobre este manual

Este manual fornece a informação necessária para a instalação e arranque da unidade.

Verificação da entrega

A entrega inclui:

1. ACS55
2. Manual do Utilizador
3. Dois grampos para o cabo de controlo (apenas unidades EMC).

Verificar a chapa de características para confirmar que o dispositivo entregue corresponde ao pedido.

ABB ACS55-01E-09A8-2	
IP20	
U1 1~ 200..240V	U2 3~ 0..U1
f1 50/60Hz	f2 0..250Hz
I1 22.0 A	I2 9.8A
Pn motor: 2.2 kW (3 HP)	
S/N MYYWWRXXXX	
3AFE XXXXXXXX	
CE	RoHS
Made in China	

ACS55-01 - -

Filtro EMC: E = Integrado, N = Não

Corrente contínua máxima de saída (I_2):

01A4 = 1,4 A, 02A2 = 2,2 A, 04A3 = 4,3 A,

07A6 = 7,6 A, 09A8 = 9,8 A

Tensão de alimentação (U_1):

1 = 110...120 VAC +10%/-15%

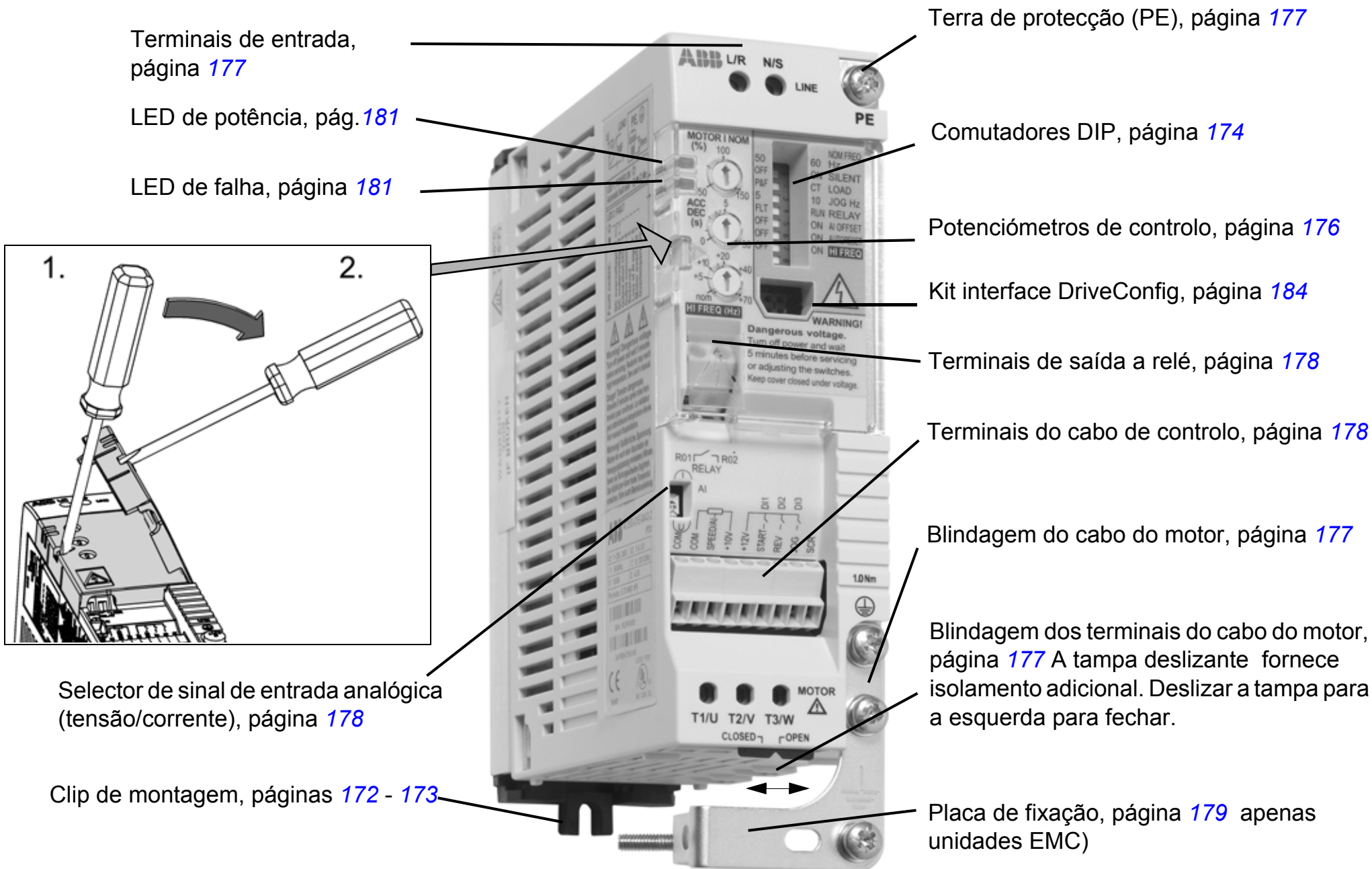
2 = 200...240 VAC +10%/-15%

O número de série (S/N) está impresso na chapa de características.

(M = local de fabrico, YY = ano de fabrico, WW = semana de fabrico, R = número de revisão do produto (A, B, C...), XXXX = número inteiro, iniciado todas as semanas em 0001)

Descrição geral da unidade

O conversor de frequência ACS55 controla a velocidade de motores CA trifásicos - de indução.



Passos de instalação e arranque

Ler as *Instruções de segurança* na página 167 antes de continuar.

	Acção	Pg.
1	Verificação da entrega.	167
2	Verificar se o ambiente da instalação é adequado para o ACS55.	170
3	Montar a unidade.	172 - 173
4	Verificar a aplicabilidade das configurações standard: A frequência nominal do motor é 50 Hz; a carga é uma bomba ou um ventilador; a frequência máxima de saída é 50 Hz. Se as configurações standard não forem adequadas, ajustar os comutadores DIP.	174
5	Verificar se o potenciómetro MOTOR I NOM corresponde à corrente nominal do motor. Este define o funcionamento da função de protecção térmica do motor.	176
6	Se necessário, ajustar o potenciómetro do tempo de aceleração/desaceleração ACC/DEC.	176
7	Ligar o cabo de alimentação e os cabos do motor.	177
8	Ligar os cabos de controlo.	178
9	Ligar a alimentação. O LED verde acende. Nota: O motor roda se o sinal de arranque estiver activo.	
10	Definir a referência de velocidade e activar o sinal de arranque. O motor acelera até à velocidade de referência definida.	180

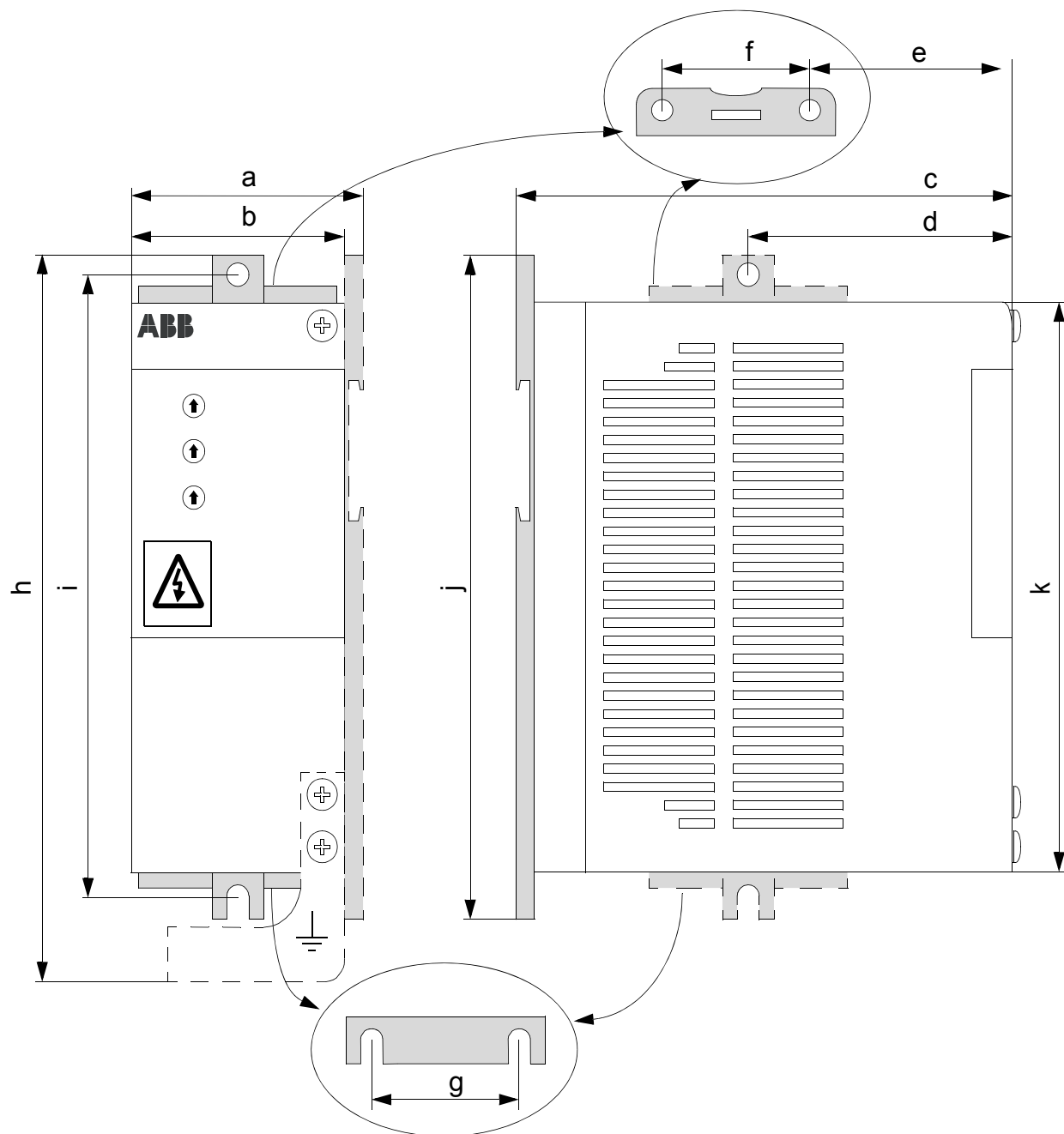
Verificar o isolamento da instalação

Não efectue testes de tolerância de tensão ou de resistência do isolamento (por exemplo hi-pot ou megger) em qualquer parte do conversor de frequência, porque os testes podem danificar a unidade. Todos os accionamentos foram testados na fábrica quanto ao isolamento entre o circuito principal e o chassis. Para além disso, existem circuitos de limitação de tensão no interior do accionamento que podem cortar imediatamente a tensão de teste.

Limites ambientais

	Local de instalação	Armazenamento e transporte numa embalagem de protecção	
Temperatura do ar	-20°C (-4°F), congelação não permitida ¹⁾ +40°C (104°F), com carga nominal +50°C (122°F), se a corrente de saída contínua é no máx. 85% da corrente de saída nominal I_2 +55°C (131°F), se a corrente de saída contínua é no máx. 75% da corrente de saída nominal I_2	-40°C (-40°F) a +70°C (158°F)	
Altitude	0...2000 m (0...6,600 ft). Em altitudes 1000...2000 m (3,300...6,600 ft), P_N e I_2 diminuem em 1% por cada 100 m.	Sem limitação	
Humidade relativa	Inferior a 95%, sem-condensação	Inferior a 95%, sem-condensação	
Níveis de contaminação (IEC 60721-3-3)	<ul style="list-style-type: none"> • Não é permitido pó condutor • O ar deve ser limpo, livre de materiais corrosivos e de poeiras condutoras • Gases químicos: Classe 3C2 • Partículas sólidas: Classe 3S2 	Armazenagem	Transporte
		<ul style="list-style-type: none"> • Não é permitido pó condutor. • Gases químicos: Classe 1C2 • Partículas sólidas: Classe 1S2 	<ul style="list-style-type: none"> • Não é permitido pó condutor • Gases químicos: Classe 2C2 • Partículas sólidas: Classe 2S2
Vibração sinusoidal (IEC 60068-2-6)	Gama de frequência: 5...150 Hz Pico constante de aceleração: 1 g	De acordo com a especificação ISTA 1A	
Choque (IEC 60068-2-29)	Não é permitido	Max. 100 m/s ² (330 ft/s ²), 11 ms (36 fts)	
Queda livre	Não é permitido	Não é permitido	

1) Quando o conversor de frequência opera em temperaturas abaixo de zero, manter a alimentação ligada. Instalar o conversor no interior de um armário. Assegurar que o calor gerado pelo conversor será dissipado adequadamente. O grau de protecção do ACS55 é IP20.



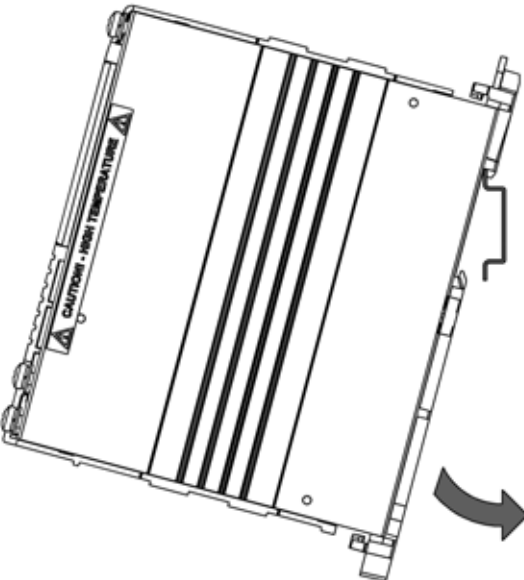
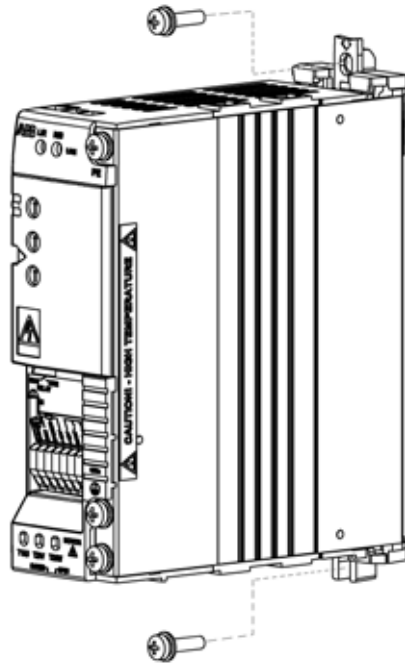
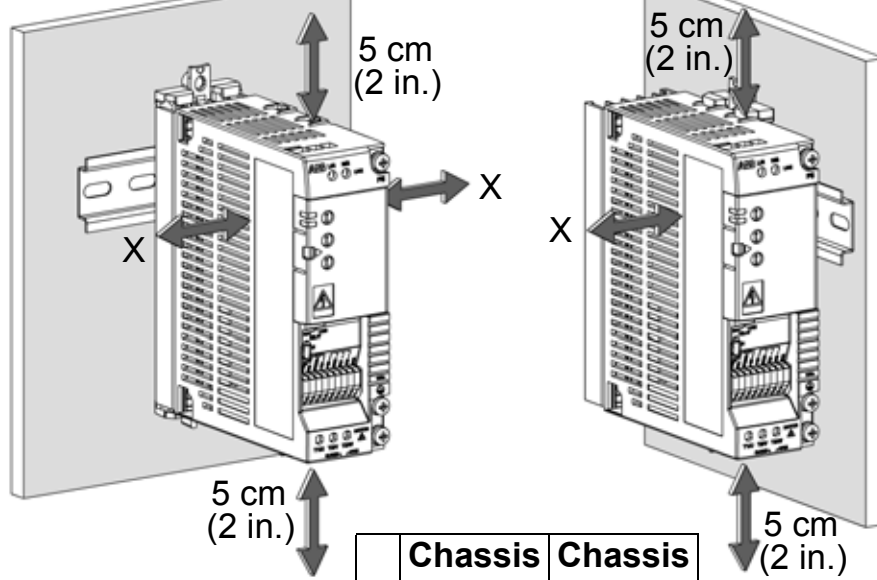
	Chassis A mm (in.)	Chassis B mm (in.)	Chassis C mm (in.)	Chassis D mm (in.)
a	53 (2,09)	72 (2,83)	74 (2,91)	74 (2,91)
b	45 (1,77)	67,5 (2,66)	70 (2,76)	70 (2,76)
c	128 (5,04)	128 (5,04)	159 (6,26)	159 (6,26)
d	67,5 (2,66)	67,5 (2,66)	-	-
e	-	-	77 (3,03)	77 (3,03)
f	-	-	40 (1,57)	40 (1,57)
g	-	-	40 (1,57)	40 (1,57)
h	183 (7,20)	183 (7,20)	-	230 (9,06)
i	156 (6,14)	156 (6,14)	182 (7,17)	214 (8,43)
j	170 (6,69)	170 (6,69)	194 (7,64)	226 (8,90)
k	146,5 (5,77)	146,5 (5,77)	171 (6,73)	203 (7,99)

Montagem

Aviso! A unidade aquece até temperaturas elevadas durante a operação normal. Assegurar um fluxo de ar de refrigeração suficiente em todas as condições:

- Instalar sempre o ACS55 com os ventiladores de refrigeração na vertical.
- Deixar espaço suficiente em volta das unidades com chassis A e B. As unidades com chassis C e D são arrefecidas por ventilador, pelo que podem ser instaladas lado-a-lado sem espaço extra entre elas.

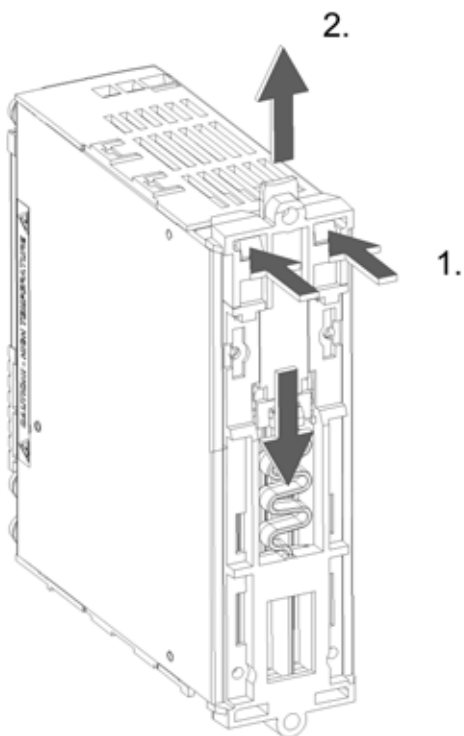
Instalar a unidade usando um clip de montagem numa calha DIN de 35mm ou numa parede.

Montagem em calha DIN Fixar o ACS55 à calha. Pressionar a alavanca no topo do clip de montagem para libertar.	Montagem na parede Instalar a unidade contra a parede com o clip de montagem. Usar parafusos M4.	Distâncias livres. Deixar sempre espaço suficiente em volta da unidade para assegurar refrigeração adequada.						
		 <table border="1" data-bbox="1590 1260 1937 1444"> <thead> <tr> <th></th> <th>Chassis A e B cm (in.)</th> <th>Chassis C e D cm (in.)</th> </tr> </thead> <tbody> <tr> <td>X</td> <td>1,5 (0,6)</td> <td>0 (0)</td> </tr> </tbody> </table>		Chassis A e B cm (in.)	Chassis C e D cm (in.)	X	1,5 (0,6)	0 (0)
	Chassis A e B cm (in.)	Chassis C e D cm (in.)						
X	1,5 (0,6)	0 (0)						

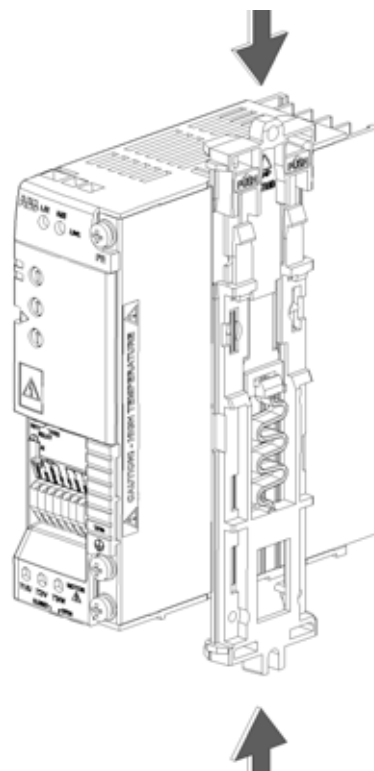
Fixar e libertar o clip de montagem mural

A unidade pode ser montada com o lado mais estreito ou mais largo contra a parede. Instalar o clip de montagem no lado pretendido. Ver as instruções abaixo para os chassis A e B. Libertar o clip de montagem dos chassis C e D puxando para baixo e libertando o mesmo pressionando para cima.

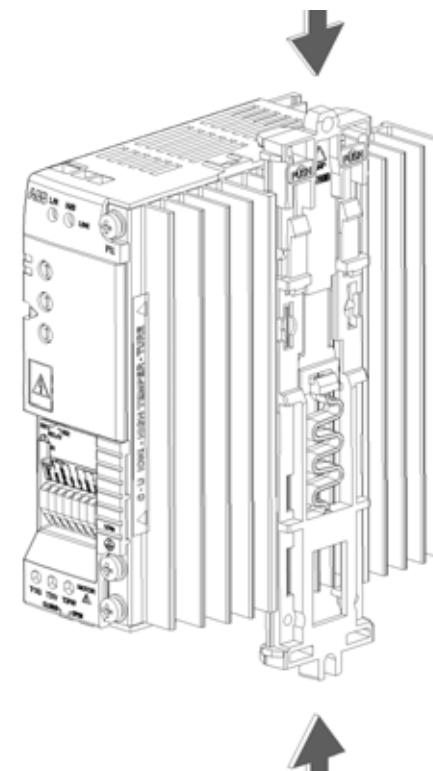
Libertar o clip de montagem, chassis A e B: Pressionar os dois botões em plástico para libertar a parte superior e inferior do clip uma da outra.



Fixar o clip de montagem, chassis A: Colocar as duas partes como apresentado e pressionar as mesmas uma contra a outra.



Fixar o clip de montagem, chassis B: Colocar as duas partes entre as lâminas de refrigeração e pressionar as mesmas uma contra a outra.



Comutadores DIP

Os comutadores DIP são usados para adaptar o ACS55 ao motor e à aplicação.



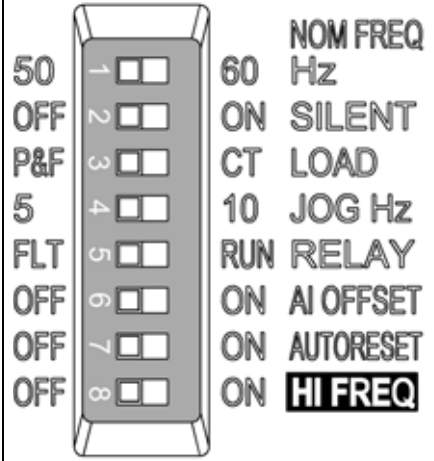


Aviso! O comutador DIP encontra-se a uma tensão perigosa (200V). Desligar a alimentação e aguardar 5 minutos antes de ajustar os comutadores. Manter a tampa de protecção fechada quando o ACS55 é ligado.

Configuração

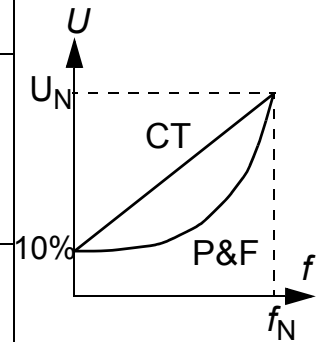
- Abrir a tampa frontal usando a ponta de uma chave de parafusos e ajustar os comutadores DIP.
- Usar a ponta de uma chave de parafusos para deslizar o comutador para a esquerda ou direita. Por defeito, todos os comutadores encontram-se na posição esquerda.
- Fechar a tampa frontal.

Informação básica

Comutador DIP	#	Nome e função	Configuração por defeito 	Configuração por defeito 
	1	NOM FREQ Hz: Frequência nominal do motor	50 Hz	60 Hz
	2	SILENT: Nível de ruído do motor (frequência de comutação PWM)	OFF - Normal (5 kHz)	ON - Silencioso (16 kHz)
	3	LOAD: Tipo binário carga (curva U/f)	P&F - Bomba/ventilador	CT - Binário constante
	4	JOG Hz: Frequência constante para a função jogging	5 Hz	10 Hz
	5	RELAY: Operação saída a relé	FLT - Falha	RUN - Operação motor
	6	AI OFFSET: Valor mínimo para a entrada analógica	OFF - 0 mA (0 V)	ON - 4 mA (2 V)
	7	AUTORESET: Função de rearme automático de falhas.	OFF - Sem autorearme	ON - Autorearme activo
	8	HI FREQ: Modo de alta frequência	OFF - Standard	ON - Alta frequência activa

Informação adicional

Nr.	Nome	Informação
1	NOM FREQ Hz	Define a frequência nominal do motor (ver a chapa de características do motor).
2	SILENT	Define a frequência de comutação do conversor de frequência. Nota: Quanto mais alta a frequência mais ruído electromagnético e mais curto o comprimento permitido do cabo do motor, para cumprir com os regulamentos EMC Europeus. Veja Dados técnicos na página 182. Nota: A frequência de comutação adapta-se à temperatura do ACS55.
3	LOAD	Optimiza as características da tensão de saída e da frequência de acordo com a carga. Seleccionar P&F para o binário quadrático (ex: bombas e ventiladores) e CT para cargas com binário constante (ex: transportadores). O ACS55 reforça automaticamente a tensão de arranque em 10% para compensar as perdas do motor e aumentar o binário de arranque.
4	JOG Hz	Define a frequência de jogging. Activa a função de jogging ligando 12...24 VCC à entrada digital 3 ("JOG"). (O conversor acelera ou desacelera para a frequência de jogging, e mantém esta até a entrada ser desligada).
5	RELAY	Selecciona o estado do conversor que o contacto normalmente aberto da saída a relé indicar. FLT = Falha. O contacto está aberto durante um estado de falha ou em estado de alimentação desligada. RUN = Em operação. O contacto está fechado durante o funcionamento.
6	AI OFFSET	Activa a supervisão zero vivo para a entrada analógica. 4 mA (2 V) = O ACS55 dispara uma falha se o valor for inferior ao limite. Ver a secção Controlo de velocidade na página 180 para mais informação sobre a escala da entrada analógica.
7	AUTO- RESET	Activa a função de rearme automático para as seguintes falhas: Subtensão, sobretensão, perda de entrada analógica. ON = O ACS55 tenta restaurar automaticamente, três segundos após o disparo de uma falha. O número máximo de rearmes é dez em três minutos. Se o valor é excedido, o ACS55 pára e não tenta um novo rearme. Ver ainda Indicação de estado e detecção de falhas na página 181. Aviso! Se o sinal de arranque estiver activo, o conversor de frequência arranca após um rearme. Certificar-se que isto não provoca perigo.
8	HI FREQ	Define a frequência máxima de saída. OFF: Frequência máxima = valor definido pelo comutador NOM FREQ Hz. ON: Frequência máx = valor definido pelo comutador NOM FREQ Hz + valor do potenciómetro HI FREQ. Veja Potenciómetros de controlo na página 176.



Potenciômetros de controlo

Os potenciômetros de controlo podem ser ajustados usando uma chave de parafusos. Por defeito, todos os potenciômetros encontram-se na posição média.

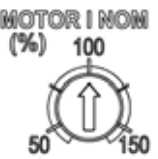

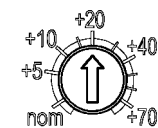
 <p>MOTOR I NOM (%)</p>	MOTOR I NOM	<p>Calcular a MOTOR I NOM com a equação abaixo ou retirar o valor da tabela de selecção da MOTOR I NOM abaixo. o ACS55 calcula a temperatura do motor com base na corrente de saída medida e da corrente nominal do motor definida. O conversor de frequência dispara se a temperatura estimada significar o sobreaquecimento do motor.</p> <p>Nota: Se os cabos do motor são longos e provocarem correntes capacitivas elevadas, pode ser necessário aumentar o ajuste da MOTOR I NOM.</p> $\text{MOTOR I NOM (\%)} = \frac{\text{Corrente nominal do motor [A]}}{\text{Corrente nominal do ACS55 [A]}} \cdot 100 \%$
 <p>ACC/DEC (s)</p>	ACC/DEC	<p>Define o tempo de aceleração e desaceleração da frequência mínima para a frequência máxima e vice versa, em segundos. Quanto mais longo o tempo de ACC/DEC, mais lentamente o ACS55 seguirá a referência dada.</p>
 <p>HI FREQ (Hz)</p>	HI FREQ	<p>Limita a frequência de saída ao valor pretendido entre a frequência nominal e a frequência nominal + 70 Hz. Para usar este potenciômetro, ligar o modo de alta frequência com o comutador HI FREQ DIP. Ver Comutadores DIP na página 174.</p>

Tabela de selecção MOTOR I NOM

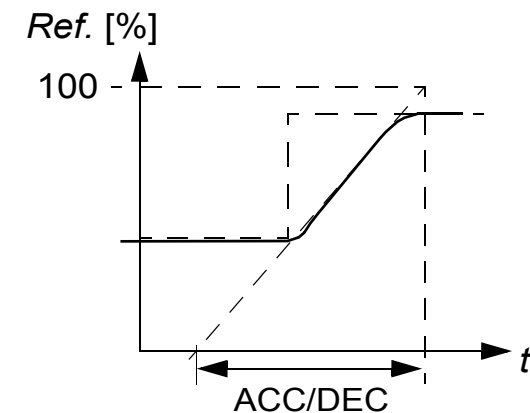
Corrente nominal do motor (A)

ACS55-01x-

-01A4-x	0,7	0,8	1,0	1,2	1,4	1,6	1,8	2,0	2,1	
-02A2-x	1,1	1,3	1,5	1,8	2,2	2,4	2,6	2,8	3,0	3,3
-04A3-x	2,2	2,6	3,0	3,5	4,3	4,7	5,2	5,6	6,0	6,5
-07A6-x	3,8	4,6	5,3	6,1	7,6	8,4	9,3	10,2	11,4	
-09A8-x	4,9	5,9	6,9	7,8	9,8	10,8	12,0	13,3	14,7	

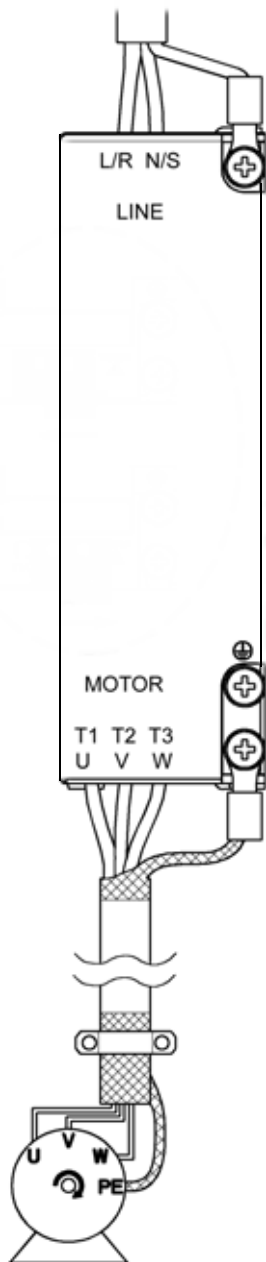
MOTOR I NOM 50 60 70 80 90 **100** 110 120 130 140 150%

Tempo ACC/DEC



Ligação da alimentação e motor

Monofásico
tensão de entrada



⚠ Aviso! Antes da instalação certificar-se que a alimentação está desligada.

Nota: Verificar que a alimentação é a correcta! Ligar 230 VCA a uma unidade ACS55 com capacidade para entrada de 115 VCA danifica o conversor de frequência!

Terminal	Descrição	Tamanho cabo	Binário de aperto
L/R, N/S	1~ entrada de alimentação	Máx. 2,5 mm ² (chassis A e B) ou máx. 4 mm ² (chassis C e D) quatro cabos condutores	0,5 N·m
T1/U, T2/V, T3/W	Saída de potência para o motor		
PE	Terra de protecção. Conductor e blindagem de protecção do cabo do motor.	Usar cabo de cobre multifilar. Não é permitido tamanho de cabo mais pequeno que o tamanho do cabo de potência usado.	1 N·m

Aviso! Se o dissipador não for ligado à terra correctamente, pode sofrer um choque eléctrico ao tocar no mesmo.

Nota: Usar apenas parafusos M4x8 Combi fornecidos. A profundidade máxima de intrusão permitida para os parafusos de ligação à terra é **6 mm**.

Siga os códigos locais para as secções transversais de cabo. Usar cabo de potência com capacidade para 60°C (140°F), ou cabo de potência com capacidade para 75°C (167°F) se a temperatura ambiente for superior a 30°C (86°F). Ver ainda [Cablagem adicional e instruções EMC](#) na página 179.

A corrente de fuga à terra do ACS55 pode exceder 3.5 mA CA / 10 mA CC. Segundo a EN50178, o ACS55 pode ser usado apenas em instalações permanentes.

Fusível de entrada

Ver [Dados técnicos](#) na página 182 os tipos de fusíveis recomendados.

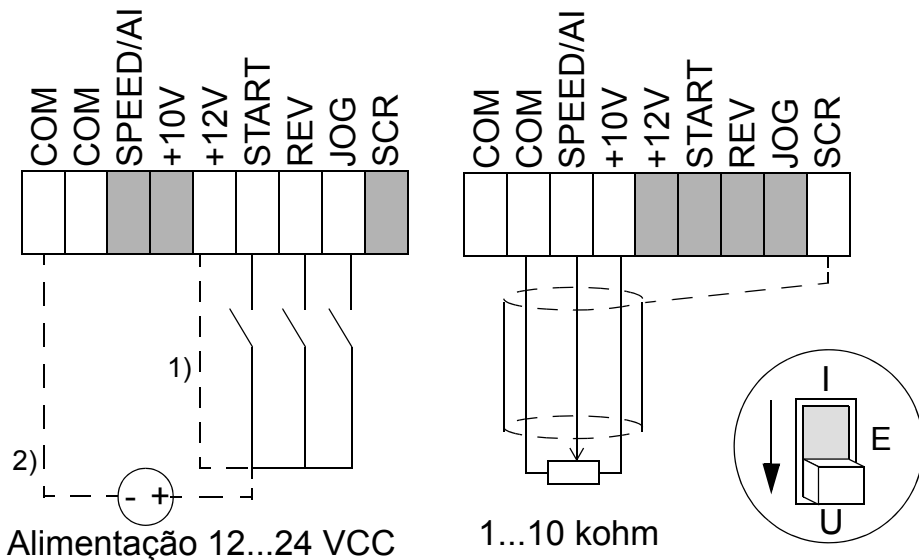
Motor

O motor deve ser um motor de indução CA trifásico, com tensão nominal U_N de 200 a 240 V e frequência nominal f_N de 50 ou 60 Hz. A corrente nominal deve ser inferior ou igual à corrente de saída nominal (I_2) do conversor de frequência.

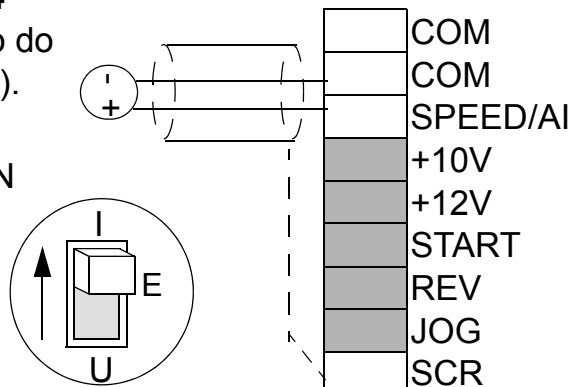
Se as fases estiverem ligadas, U-U, V-V e W-W, e o sentido seleccionado é directo, o veio roda no sentido dos ponteiros do relógio, visto do lado do veio do conversor de frequência.

Ligar os cabos de controlo

A alimentação interna (1) ou externa (2) pode ser usada para as entradas digitais. Por defeito, a tensão analógica de controlo é 0... 10 VCC. (O jumper AI deve estar na posição de tensão ("U")).



Usar o sinal de corrente 0/4...20mA: - Alterar a posição do jumper AI para corrente ("I").
- Ajustar o comutador AI OFFSET para a posição ON se o sinal de corrente 4...20 mA for o pretendido.



Terminais de controlo

- Tamanho do condutor: entrançado 0,25...1,5 mm² (AWG 23 a AWG 16)
- Binário de aperto: 0.25 N·m.

#	Nome	Descrição
1	COM	Comum para entradas digitais ou analógicas ¹⁾
2	COM	Comum para entrada digital ou analógica ¹⁾
3	AI	Entrada analógica: Referência de velocidade (frequência). 0/2...10 VCC (Ri=190 kohm), ou 0/4...20 mA (Ri=100 ohm). Resolução 0,1 %, precisão +/-1%.
4	+10V	Tensão de referência para entrada analógica. Precisão +/-2%. Max. 10 mA.
5	+12V	Tensão auxiliar para entradas digitais. Máx. 30 mA.
6	START	Entrada digital 1: Arrancar (rearme do conversor após um disparo de falha) ²⁾
7	REV	Entrada digital 2: Sentido de rotação inverso ²⁾
8	JOG	Entrada digital 3: Activar velocidade jog ²⁾
9	SCR	Terra para a blindagem do cabo de sinal. Ligado internamente à terra do chassis.

Saída a relé

1	RO1	Falha: Aberturas do relé. 12 V...250 VCA / 30 VCC 10 mA...2 A
2	RO2	

1) Ligado internamente ao chassis (terra) através da resistência 1 Mohm.

2) A impedância da entrada digital é 1,5 kohm.

Controlo de velocidade

A entrada analógica dá a referência de velocidade (frequência) para o ACS55. A correspondência entre a entrada analógica e a referência depende dos ajustes dos comutadores DIP, como apresentado abaixo. A frequência de saída segue as alterações de referência como definido pelo potenciómetro ACC/DEC.

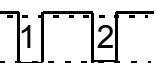
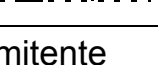
Modo de alta frequência OFF (defeito)	Modo de alta frequência ON
<p>Configurações do comutador DIP: HI FREQ = OFF AI OFFSET = OFF (curva a) ou ON** (curva b) MOTOR NOM FREQ = 50 ou 60 Hz</p> <p>A frequência de saída é limitada à frequência nominal seleccionada do motor.</p>	<p>Configurações do comutador DIP: HI FREQ = ON AI OFFSET = OFF (curva a) ou ON** (curva b) MOTOR NOM FREQ = 50 ou 60 Hz</p> <p>A frequência de saída actual é limitada a um valor entre f_N e $f_N + 70$ Hz pelo potenciómetro HI FREQ. O potenciómetro não afecta a escala da entrada analógica.</p>
<p>* Usar o jumper EA para seleccionar a tensão ou o sinal de corrente. Veja a página 178.</p> <p>** Para proteger o conversor de frequência contra a perda do sinal de entrada, o conversor dispara se o valor do sinal for inferior a 2 V (4 mA).</p>	

Indicação de estado e detecção de falhas

O ACS55 tem dois LEDs de indicação de estado, visíveis através da tampa frontal.

Se o conversor detectar um problema, o LED vermelho começa a piscar. Depois do problema solucionado, rearmar comutar o sinal de arranque para off. Se o arranque já estiver off, ligar e desligar de seguida.

Consultar na tabela abaixo os códigos de falha (= o número de vezes que o LED pisca).

LED Verde	LED vermelho	Descrição
Ligado	Desligar	O ACS55 opera normalmente.
Ligado	Intermitente Ligado:  Desligar: 	A função de protecção foi activada. O número de vezes que pisca indica o código de falha.
Intermitente	Intermitente	O ACS55 rearma automaticamente dentro de 3 segundos. (*) Aviso! O motor arranca, se o sinal de arranque estiver on.

#	Causas possíveis e o que fazer	#	Causas possíveis e o que fazer
1	Sobretensão CC (*). 1) Tensão de rede muito elevada: Verificar alimentação. 2) O tempo da rampa de desaceleração é muito curto comparado com a inércia de carga: Aumentar o tempo ACC/DEC com o potenciómetro.	7	Sobrecarga do motor (I^2t sobrecarga): 1) Verificar a carga e verificar se o tamanho do motor é adequado para o ACS55. 2) Verificar se o ajuste do potenciómetro MOTOR I NOM está correcto.
2	Subtensão CC (*). Tensão de rede muito baixa: Verificar alimentação.	8	Sobrecarga do inversor ou temperatura interna excessiva: 1) A carga está muito elevada ou 2) a refrigeração do conversor é insuficiente.
3	Curto-circuito da saída: Desligar a alimentação e verificar as bobinas do motor e o cabo do motor.	9	Outras falhas. Erro interno. Desligar e ligar novamente a alimentação. Se o problema persistir, substituir a unidade.
4	Sobrecorrente da saída. 1) O tempo de aceleração é muito curto comparado com a inércia de carga: Aumentar o tempo ACC/DEC com o potenciómetro. 2) Os tamanhos do motor e do conversor de frequência não são equivalentes: Verificar motor.	10	Falha de parametrização. Nota: Ambos os LEDs estão a piscar. Os comutadores DIP foram movidos da configuração por defeito depois do conversor de frequência ter sido parametrizado com a ferramenta DriveConfig. Colocar os comutadores novamente na posição por defeito.
5	Reservado	11	O conversor é alimentado a bateria. O estado do conversor de frequência indica Falha, porque não é possível arrancar o conversor de frequência. Para o conversor operar, este deve ser ligado à rede. No entanto, quando o conversor é ligado a partir da alimentação do kit DriveConfig, a ligação entre o DriveConfig e o conversor de frequência está OK.
6	O valor da entrada analógica é inferior a 4 mA/2 V. (*) Nota: Esta supervisão está activa se AI OFFSET está ON.	12	O conversor de frequência foi controlado pelo DriveConfig (ou outra aplicação através da comunicação série) e a comunicação foi perdida. Verificar a comunicação.

(*) Rearmar automaticamente se o AUTORESET está ON. Veja [Comutadores DIP](#) na página 174.

Dados técnicos

		230 V					115 V	
EMC integrado, ACS55-01E-		01A4-2	02A2-2	04A3-2	07A6-2	09A8-2	01A4-1	02A2-1
Se EMC, ACS55-01N-		01A4-2	02A2-2	04A3-2	07A6-2	09A8-2	01A4-1	02A2-1
Potência de saída contínua do motor	kW	0,18	0,37	0,75	1,5	2,2	0,18	0,37
	hp	1/4	1/2	1	2	3	1/4	1/2
Tamanho chassis (sem EMC)		A	A	B	C	C	A	A
Tamanho chassis (EMC)		A	A	B	D	D	A	A
Valores nominais								
Tensão de entrada U_1	V	200...240 (+10/-15%)					110...120 (+10/-15%)	
Corrente contínua de saída I_2	A	1,4	2,2	4,3	7,6	9,8	1,4	2,2
Corrente de saída máx I_{2max}^*	A	2,1	3,3	6,5	11,4	14,7	2,1	3,3
Tensão de saída U_2	V	0... U_1 , T-rifásico					0... $2 \times U_1$, T-rifásico	
Corrente entrada I_1	A	4,4	6,9	10,8	18,2	22,0	6,4	9,5
Frequência de comutação	KHz	5 (max. 16)						
Limites de protecção								
Sobrecorrente (pico)	A	4,4	6,9	13,5	23,9	30,9	4,4	6,9
Sobreaquecimento		95°C / 203°F (dissipador)						
Tamanhos máx.cabos								
Terminais de potência	mm ²	2,5 (AWG 14)			4 (AWG 12)		2,5 (AWG 14)	
Terminais de controlo	mm ²	1,5 (AWG 16)						
Perdas de potência	W	21	32	51	74	103	24	35
Tamanho fusível linha**								
IEC, tipo IEC269 gG	A	10	16	16	25	32	10	16
UL, tipos CC e T	A	10	15	20	25	30	10	15
Peso, EMC integrado, ACS55-01E-	kg (lb)	0,65 (1,4)	0,7 (1,5)	0,9 (2)	1,6 (3,5)	1,7 (3,7)	0,65 (1,4)	0,7 (1,5)
Peso, Sem EMC, ACS55-01N-	kg (lb)	0,65 (1,4)	0,7 (1,5)	0,9 (2)	1,2 (2,6)	1,3 (2,9)	0,65 (1,4)	0,7 (1,5)

* Permitido durante 1 minuto.

** Valores recomendados. Não usar fusíveis ultra-rápidos ou de baixo pico. Seguir os regulamentos locais.

Comprimentos máximos do cabo do motor

Para cumprir com os regulamentos EMC Europeus, o comprimento do cabo do motor está limitado como especificado na tabela abaixo. Quanto mais curto for o cabo do motor, mais baixas as emissões de ruído para a linha de alimentação e para o ambiente.

Conversor tipo ACS55-01x-	Frequência de comutação	
	5 kHz	16 kHz ¹⁾
Filtro EMC integrado	5 kHz	16 kHz ¹⁾
<i>EN61800-3, Primeiro ambiente, distribuição sem restrições ²⁾</i>		
01A4-2, ..., 04A3-2	10 m	3 m
01A4-1, 02A2-1	10 m	3 m
07A6-2, 09A8-2	10 m	3 m
<i>EN61800-3, Primeiro ambiente, distribuição com restrições ³⁾</i>		
01A4-2, ..., 04A3-2	10 m	10 m
01A4-1, 02A2-1	10 m	10 m
07A6-2, 09A8-2	20 m	10 m
<i>EN61800-3, Segundo ambiente ³⁾</i>		
01A4-2, ..., 04A3-2	10 m	10 m
01A4-1, 02A2-1	10 m	10 m
07A6-2, 09A8-2	30 m	10 m

1) A frequência de comutação pode ser seleccionada com o comutador DIP. Veja a página [175](#).

2) Aplicável apenas para emissões condutoras.

2) Aplicável para emissões condutoras e irradiadas.

Protecções

Sobretensão, subtensão, saída de curto circuito, sobrecorrente, perda da entrada analógica, sobrecarga do motor, sobrecarga do inversor.

Redes de distribuição isoladas da terra

Os conversores com filtros EMC integrados não devem ser usados numa rede de neutro isolado ou numa rede de distribuição industrial de alta impedância ligada à terra.

Informação ambiental

A unidade contém matérias primas valiosas que devem ser recicladas para preservação de energia e de recursos naturais. Estão disponíveis instruções sobre eliminação nas delegações comerciais e de manutenção da ABB.

Limites de responsabilidade

O fabricante não é responsável por:

- Qualquer custo resultante de uma avaria se a instalação, comissionamento, reparação, alteração ou condições ambiente do conversor de frequência não cumprirem os requisitos especificados na documentação fornecida com a unidade e outra documentação relevante.
- Unidades sujeitas a uso indevido, negligência ou acidente
- Unidades alteradas nos materiais ou no projecto pelo comprador.

Em nenhum caso deverá a ABB, os seus fornecedores ou subcontratantes serem responsáveis por danos especiais, indirectos ou consequentes, perdas ou penalidades.

Em caso de dúvida relativamente ao seu conversor de frequência ABB, contacte por favor um distribuidor autorizado ou a ABB local. Os dados técnicos, informação e especificações são válidas à data da publicação. O fabricante reserva-se o direito de proceder a modificações sem aviso prévio.

Aprovações

CE

O ACS55 cumpre com os requisitos Europeus

- Directiva de Baixa Tensão 73/23/EEC com emendas
- Directiva EMC 89/336/EEC com emendas.

Estão disponíveis sobre pedido as declarações correspondentes e uma lista das principais normas.

Compatibilidade electromagnética:

O ACS55 cumpre com as seguintes normas desde que a instalação seja executada correctamente e de acordo com as instruções deste manual:

Emissões condutoras de alta frequência	EN61800-3, primeiro ambiente, distribuição com/sem restrições ¹⁾
Emissões irradiadas de alta frequência	EN61800-3, primeiro ambiente, distribuição com restrições
Imunidade	EN61800-3, segundo ambiente
Harmónicas de corrente de linha	IEC61000-3-2

1) Observe os comprimentos máximos permitidos do cabo do motor e da frequência de comutação, página [183](#). Ver ainda as instruções de cablagem na página [179](#).

Os níveis de correntes de harmónicas podem ser reduzidos instalando bobinas de entrada externas.

Marcações UL, cUL e C-Tick

Ver a chapa de características.

UL, cUL:

O ACS55 é apropriado para uso num circuito capaz de fornecer não mais que 65 kA rms de amperes simétricos, máximo 230 volts, quando protegido com fusíveis da classe CC ou T.

C-Tick:

Sobre compatibilidade electromagnética, consultar a secção [CE](#) acima.

Conformidade com a Directiva Europeia de Maquinaria

O conversor de frequência cumpre com os requisitos da Directiva Europeia de Maquinaria para um equipamento destinado a ser incorporado em maquinaria. A declaração de incorporação está disponível na ABB.

Protecção do produto nos EUA

Este produto está protegido por uma ou mais das seguintes patentes US:

4,920,306	5,301,085	5,463,302	5,521,483	5,532,568	5,589,754	5,612,604
5,654,624	5,799,805	5,940,286	5,942,874	5,952,613	6,094,364	6,147,887
6,175,256	6,184,740	6,195,274	6,229,356	6,252,436	6,265,724	6,305,464
6,313,599	6,316,896	6,335,607	6,370,049	6,396,236	6,448,735	6,498,452
6,552,510	6,597,148	6,600,290	6,741,059	6,774,758	6,844,794	6,856,502
6,859,374	6,922,883	6,940,253	6,934,169	6,956,352	6,958,923	6,967,453
6,972,976	6,977,449	6,984,958	6,985,371	6,992,908	6,999,329	7,023,160
7,034,510	7,036,223	7,045,987	7,057,908	7,059,390	7,067,997	7,082,374
7,084,604	7,098,623	7,102,325	7,109,780	7,164,562	7,176,779	7,190,599
7,215,099	7,221,152	7,227,325	7,245,197	7,250,739	7,262,577	7,271,505
7,274,573	7,279,802	7,280,938	7,330,095	7,349,814	7,352,220	7,365,622
7,372,696	7,388,765	7,408,791	7,417,408	7,446,268	7,456,615	7,508,688
7,515,447	7,560,894	D503,931	D510,319	D510,320	D511,137	D511,150
D512,026	D512,696	D521,466	D541,743S	D541,744S	D541,745S	
D548,182S	D548,183S	D573,090S				

Outras patentes pendentes.

Acessórios

Bobinas de entrada: CHK-A1, CHK-B1, CHK-C1, CHK-D1

Bobina saída: ACS-CHK-B3, ACS-CHK-C3

Unidade de potenciómetro: ACS55-POT

Kit DriveConfig, para mais informações, contacte a ABB local. Veja o *Guia do Utilizador do DriveConfig* [3AFE68910897 (Inglês)].

Руководство по эксплуатации

приводов переменного тока типа ACS55 мощностью от 0,18 до 2,2 кВт



Русский RU

ABB

Справки по изделиям и услугам

Все вопросы, касающиеся данного изделия, следует направлять в местное представительство корпорации АБВ с указанием кода типа и серийного номера соответствующего устройства. Перечни товаров, а также сведения о технической поддержке и услугах, предлагаемых корпорацией АБВ, можно найти на сайте www.abb.com/drives по ссылке *Sales, Support and Service network*.

Обучение

Для получения информации об обучении работе с изделиями корпорации АБВ перейдите по ссылке www.abb.com/drives и выберите пункт *Training courses (Учебные курсы)*.

Отзывы о руководствах по эксплуатации приводов АБВ

Будем рады получить ваши замечания к нашим руководствам. Зайдите на сайт www.abb.com/drives и выберите *Document Library (библиотека документов) – Manuals feedback form (LV AC drives)* (Форма отзыва о руководствах (Приводы LV AC)).

3AFE68929300 Rev C

RU

Дата вступления в силу: 12.04.2010

ООО "АБВ Индустри и Стройтехника"

Россия, 117861, г. Москва,

ул. Обручева, дом 30/1, стр. 2

тел.: +7 (495) 960-22-00

факс: +7 (495) 960-22-20

www.abb.ru/ibs

ruibs@ru.abb.com

© Корпорация АБВ, 2010 г. С сохранением всех прав.

Инструкции по технике безопасности

Внимательно изучите приведенные ниже правила техники безопасности, прежде чем приступить к монтажным работам.

Внимание! Опасное напряжение!

К работам по монтажу привода ACS55 допускаются только квалифицированные электрики.

Запрещается выполнять какие-либо работы по обслуживанию привода, двигателя или кабеля двигателя при включенном напряжении питания. Перед началом обслуживания привода отключите питание и подождите не менее 5 минут. Это время необходимо для разряда конденсаторов звена постоянного тока.

Предупреждение! Если радиатор охлаждения не заземлен надлежащим образом, при прикосновении к нему возможно поражение электрическим током.

Примечание. DIP-переключатели находятся под опасным напряжением.

Примечание. Опасное напряжение присутствует на силовых выводах L/R, N/S, T1/U, T2/V и T3/W даже в том случае, если двигатель не вращается.

Примечание. При отключенном питании привода на контактах релейных выходов может присутствовать опасное напряжение, подаваемое от внешних устройств.

Внимание! Горячие поверхности!

При работе привода его радиатор может нагреваться до высокой температуры (>80°C). Строго выполняйте указания по монтажу.

Общие указания по технике безопасности

Привод ACS55 автоматически запускает двигатель после пропадания и повторного включения питания, если подана внешняя команда пуска. Запрещается ремонтировать неисправный привод. Привод ACS55 не подлежит ремонту на месте эксплуатации. Обратитесь к поставщику для замены оборудования.

Привод ACS55 должен устанавливаться в запираемом с помощью ключа помещении.

Запрещается подавать питание на привод чаще чем один раз в три минуты.

Функции и характеристики привода ACS55 изменяются в зависимости от положения DIP-переключателей. Убедитесь в том, что изменения не повредят оборудование и безопасны для персонала.

Об этом руководстве

Данное руководство содержит информацию, необходимую для монтажа и запуска привода.

Проверка комплекта поставки

Комплект поставки содержит:

1. Привод ACS55
2. Руководство по эксплуатации
3. Два зажима для кабелей управления (только для моделей с фильтром ЭМС).

По данным на паспортной табличке привода убедитесь в том, что поставленное оборудование соответствует указанному в заказе.

ABB ACS55-01E-09A8-2	
IP20	
U1 1~200..240V	U2 3~0..U1
f1 50/60Hz	f2 0..250Hz
I1 22.0 A	I2 9.8A
Pn motor: 2.2 kW (3 HP)	
S/N MYWWRRXXXX	
3AFE XXXXXXXX	
CE	RoHS
Made in China	

ACS55-01 - -

Фильтр ЭМС: E = встроенный, N = отсутствует

Макс. длительный выходной ток (I_2):

01A4 = 1,4 A; 02A2 = 2,2 A; 04A3 = 4,3 A;

07A6 = 7,6 A; 09A8 = 9,8 A

Напряжение питания (U_1):

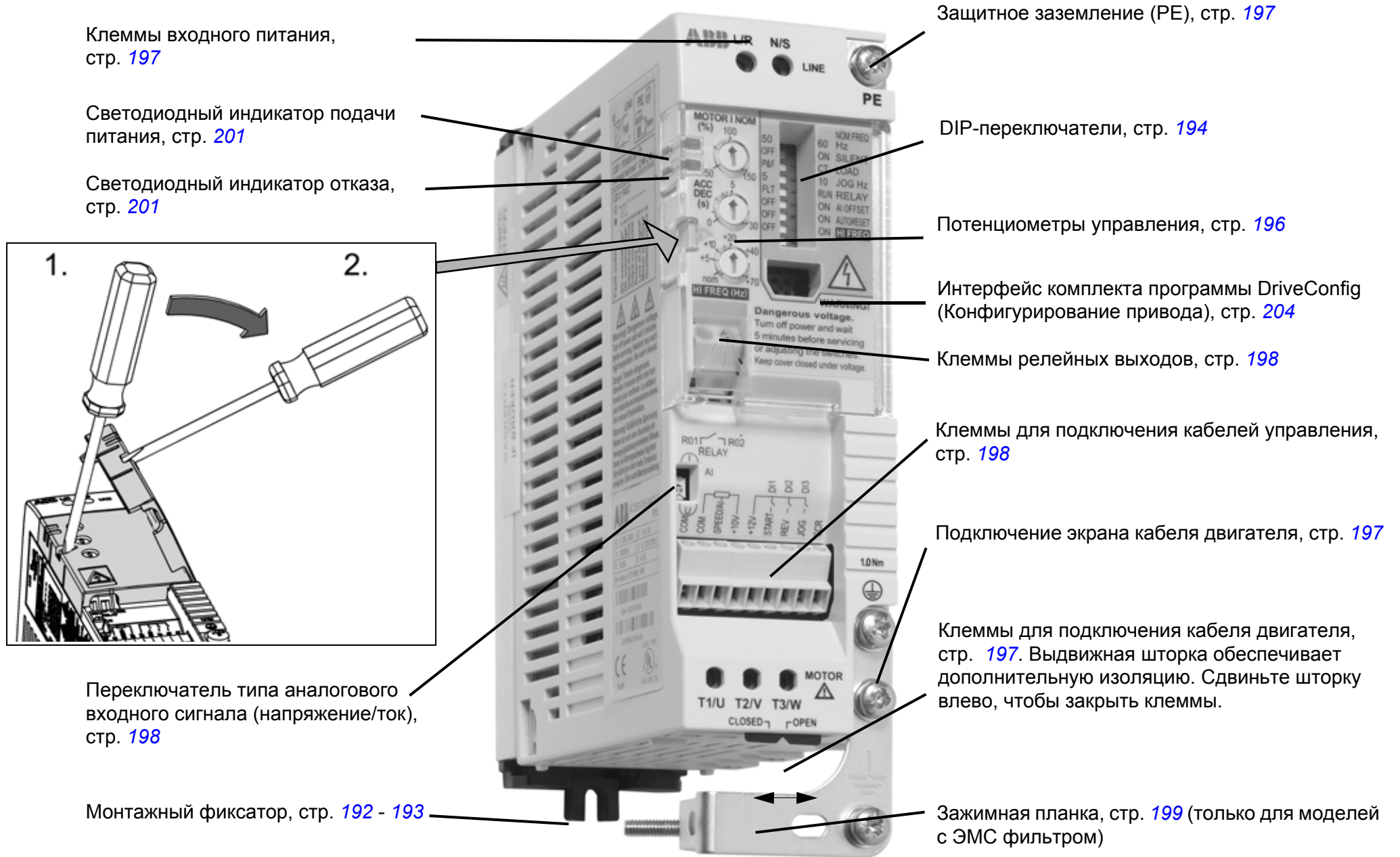
1 = 110...120 В~ +10 %/-15 %

2 = 200...240 В~ +10 %/-15 %

Заводской номер (S/N) указан на паспортной табличке привода. (M = место изготовления, YY = год выпуска, WW = неделя выпуска, R = номер модификации изделия (A, B, C...), XXXX = Целое число, отсчет которого каждую неделю начинается с 0001)

Общие сведения о приводе

Привод ACS55 предназначен для управления скоростью 3-фазного асинхронного электродвигателя переменного тока.



Последовательность монтажа и запуска

Прочитайте *Инструкции по технике безопасности* на стр. 187, прежде чем приступать к работе.

	Действие	Стр.
1	Проверьте комплектность поставки.	187
2	Проверьте соответствие условий эксплуатации требованиям к приводу ACS55.	190
3	Смонтируйте привод.	192 - 193
4	Проверьте пригодность стандартных настроек: номинальная частота двигателя 50 Гц, нагрузка – насос или вентилятор, максимальная выходная частота 50 Гц. Если стандартные параметры не подходят, измените положение DIP-переключателей.	194
5	Убедитесь в том, что потенциометр MOTOR I NOM установлен в соответствии со значением номинального тока двигателя. Это необходимо для правильной работы тепловой защиты двигателя.	196
6	Если необходимо, установите потенциометр времени ускорения/замедления (ACC/DEC) в нужное положение.	196
7	Подсоедините кабель питания и кабель двигателя.	197
8	Подсоедините провода управления.	198
9	Включите питание. Зеленый светодиод должен загореться. Примечание. Если подан сигнал пуска, двигатель начнет вращаться..	
10	Установите задание скорости и подайте сигнал пуска. Скорость вращения вала двигателя должна возрасти до заданного значения.	200

Проверка изоляции конструкции

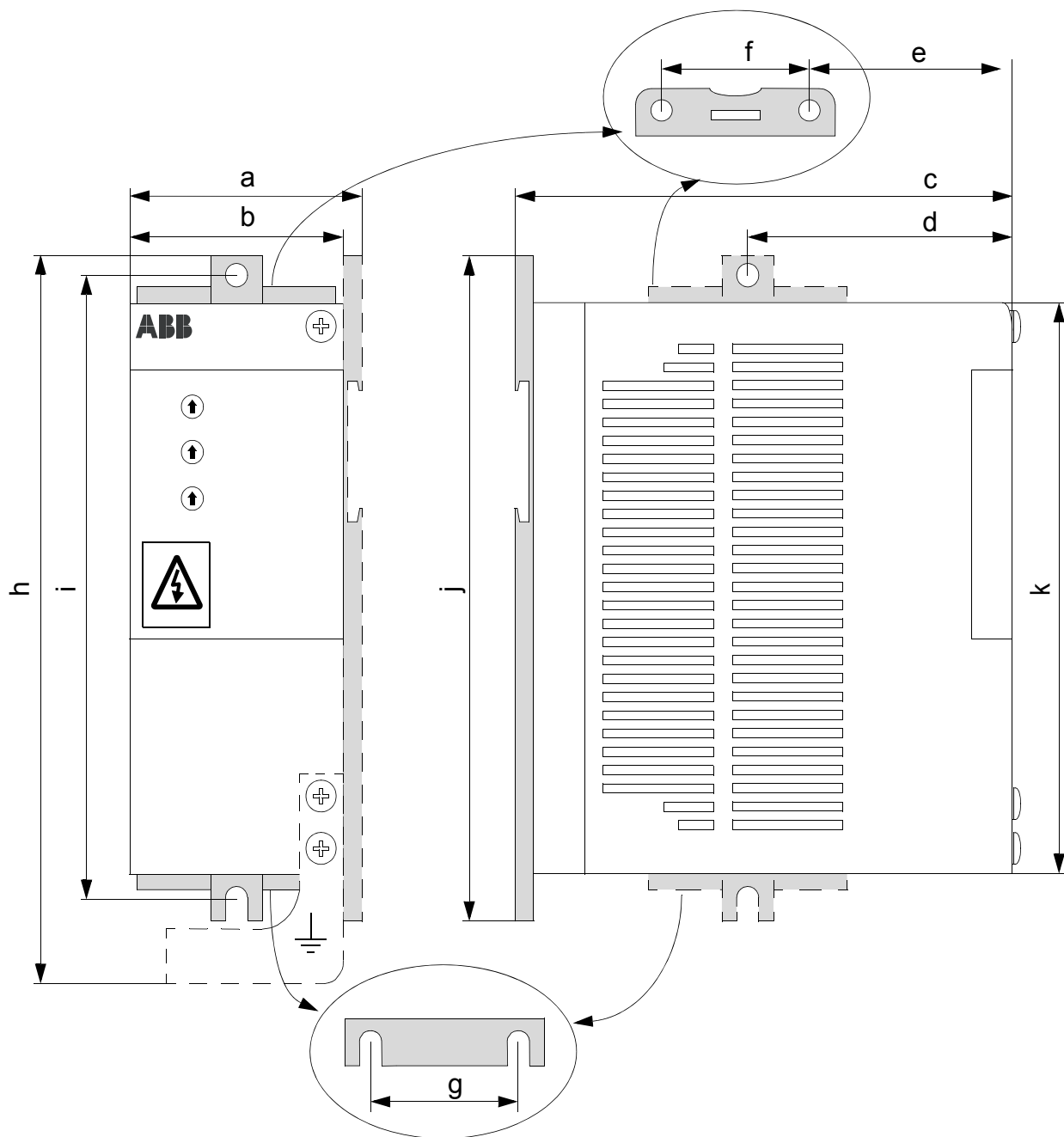
Проведение испытаний на допустимое отклонение напряжения или сопротивление изоляции (например, испытаний высоким напряжением или с применением мегомметра) для любой части привода запрещено, поскольку такие испытания могут привести к выходу привода из строя. Изоляция между входной цепью и шасси у каждого привода уже испытана на заводе-изготовителе. Кроме того, в приводе предусмотрены ограничивающие напряжение цепи, которые автоматически ограничивают испытательное напряжение.

Пределные условия эксплуатации

	Место установки	Хранение и транспортировка в защитной упаковке	
Температура воздуха	-20 °С, образование инея не допускается ¹⁾ +40 °С, при номинальной нагрузке +50 °С, если длительный выходной ток не превышает 85 % от номинального I_2 +55 °С, если длительный выходной ток не превышает 75 % от номинального I_2	-40 °С ...+70 °С	
Высота над уровнем моря	0...2000 м На высоте 1000...2000 м значения P_N и I_2 снижаются на 1 % на каждые 100 м.	Без ограничений	
Относительная влажность	Менее 95 %, без конденсации	Менее 95 %, без конденсации	
Уровни загрязнения: (IEC 60721-3-3)	<ul style="list-style-type: none"> Наличие электропроводящей пыли не допускается Воздух должен быть чистым и не должен содержать агрессивных веществ, а также электропроводящей пыли Химические газы: класс 3C2 Твердые частицы: класс 3S2 	Хранение	Транспортировка
		<ul style="list-style-type: none"> Наличие электропроводящей пыли не допускается. Химические газы: класс 1C2 Твердые частицы: класс 1S2 	<ul style="list-style-type: none"> Наличие электропроводящей пыли не допускается Химические газы: класс 2C2 Твердые частицы: класс 2S2
Синусоидальная вибрация (IEC 60068-2-6)	Диапазон частот: 5...150 Гц Ускорение с постоянной амплитудой: 1 g	В соответствии с техническими требованиями ISTA 1A	
Удар (IEC 60068-2-29)	Не допускается	Не более 100 м/с ² , 11 мс	
Свободное падение	Не допускается	Не допускается	

1) Если привод работает при отрицательных температурах, держите питание включенным. Устанавливайте привод в кожухе (шкафу). Убедитесь, что тепло, выделяемое приводом, будет рассеиваться должным образом.

Степень защиты привода ACS55 – IP20.



	Типоразмер А мм (дюйм)	Типоразмер В мм (дюйм)	Типоразмер С мм (дюйм)	Типоразмер D мм (дюйм)
a	53 (2,09)	72 (2,83)	74 (2,91)	74 (2,91)
b	45 (1,77)	67,5 (2,66)	70 (2,76)	70 (2,76)
c	128 (5,04)	128 (5,04)	159 (6,26)	159 (6,26)
d	67,5 (2,66)	67,5 (2,66)	-	-
e	-	-	77 (3,03)	77 (3,03)
f	-	-	40 (1,57)	40 (1,57)
g	-	-	40 (1,57)	40 (1,57)
h	183 (7,20)	183 (7,20)	-	230 (9,06)
i	156 (6,14)	156 (6,14)	182 (7,17)	214 (8,43)
j	170 (6,69)	170 (6,69)	194 (7,64)	226 (8,90)
k	146,5 (5,77)	146,5 (5,77)	171 (6,73)	203 (7,99)

Монтаж

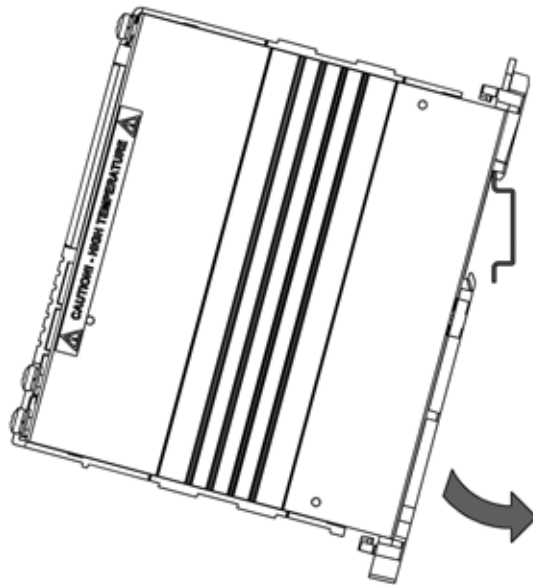
Внимание! При нормальной работе привод нагревается до высокой температуры. Необходимо при любых условиях обеспечить достаточный поток охлаждающего воздуха:

- Установите привод ACS55 таким образом, чтобы вентиляторы охлаждения располагались вертикально.
- Оставьте достаточно свободного пространства вокруг приводов в корпусах А и В. Приводы в корпусах С и D охлаждаются с помощью вентиляторов, поэтому их можно устанавливать боковыми сторонами вплотную друг к другу, без дополнительного промежутка между ними.

Установите привод, используя монтажный фиксатор, на 35-миллиметровой DIN-рейке или на стене.

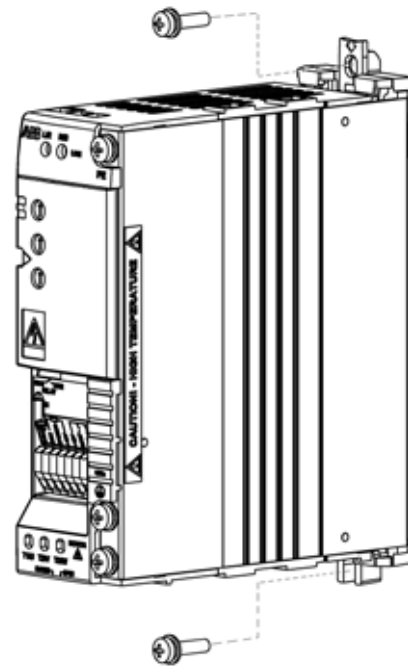
Монтаж на DIN-рейке

"Защелкните" клипсу монтажного фиксатора ACS55 на DIN-рейке. Для снятия привода нажмите рычаг, расположенный наверху монтажного фиксатора.



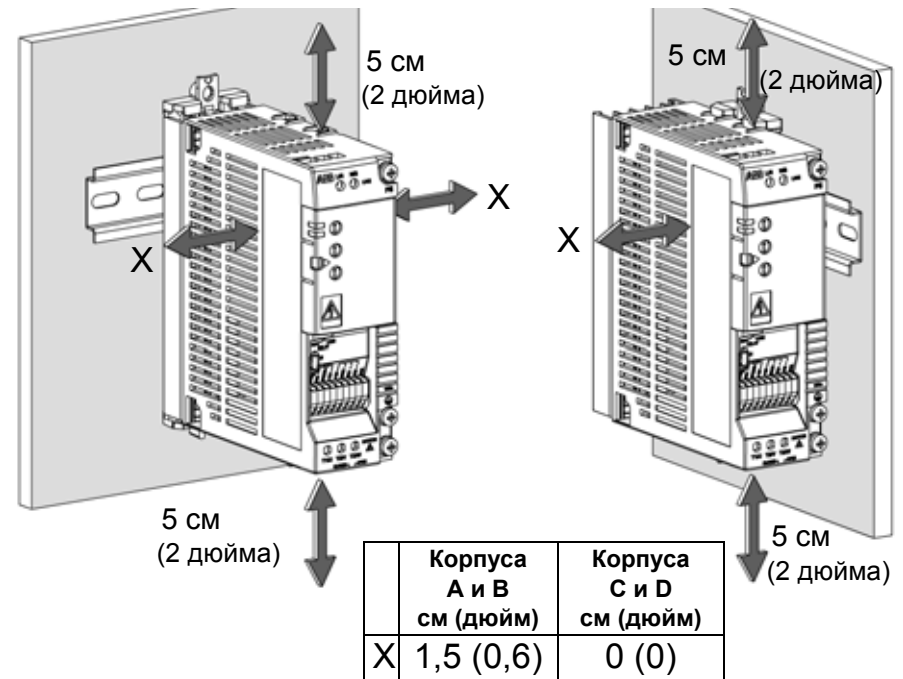
Монтаж на стене

Установите привод на стене с помощью монтажного фиксатора. Используйте винты М4.



Зазоры

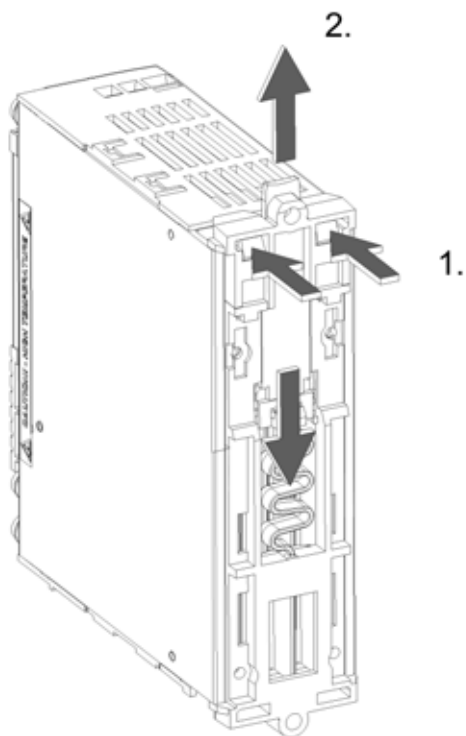
Для обеспечения надлежащего охлаждения оставьте достаточные свободные промежутки вокруг привода.



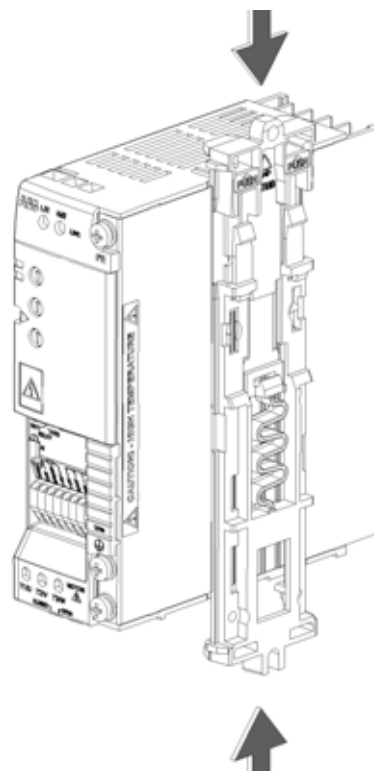
Установка и снятие настенного монтажного фиксатора

Привод можно установить на стену как широкой, так и узкой стороной. Установите монтажный фиксатор на соответствующую сторону привода. См. указания, приведенные ниже, для корпусов А и В. Для отсоединения монтажного фиксатора корпуса С и D потяните его вниз, для закрепления – толкните вверх.

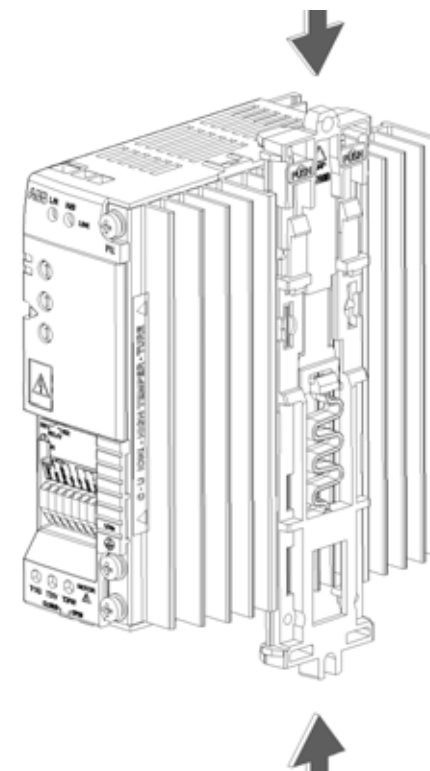
Отсоединение монтажного фиксатора, корпуса А и В: для разъединения верхней и нижней частей фиксатора нажмите две пластмассовые кнопки.



Установка монтажного фиксатора, корпус А: установите две части фиксатора, как показано на рисунке, и защелкните их.



Установка монтажного фиксатора, корпус В: установите две части фиксатора между ребрами радиатора охлаждения и защелкните их.



DIP-переключатели

DIP-переключатели служат для настройки ACS55 в соответствии с типом двигателя и требованиями конкретных применений.

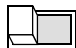
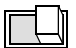
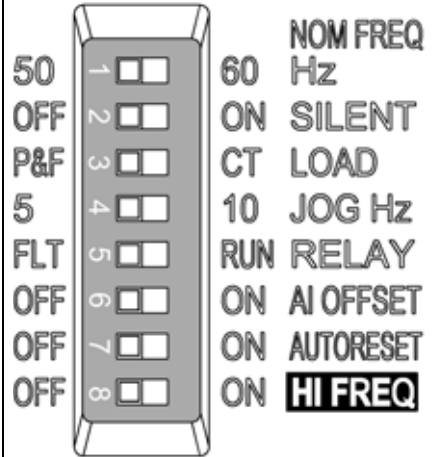


Внимание! DIP-переключатели находятся под опасным напряжением (200 В). Перед настройкой переключателей отключите питание и подождите 5 минут. Когда привод ACS55 находится под напряжением, защитная крышка должна быть закрыта.

Конфигурация

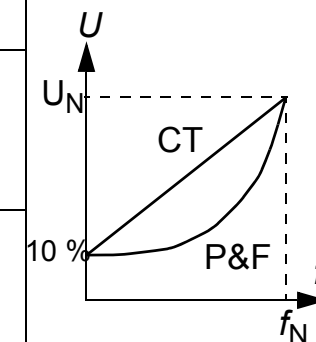
- С помощью отвертки снимите переднюю крышку и установите DIP-переключатели в нужное положение.
- Для перемещения переключателей вправо или влево используйте отвертку. По умолчанию все переключатели находятся в левом положении.
- Закройте переднюю крышку.

Основная информация

DIP переключатель	#	Название и назначение	Стандартное значение задания 	Возможное значение задания 
	1	NOM FREQ HZ: Номинальная частота двигателя	50 Гц	60 Гц
	2	SILENT: Уровень шума двигателя (частота коммутации ШИМ)	OFF - Стандартный режим (5 кГц)	ON - Бесшумный режим (16 кГц)
	3	LOAD: Тип момента нагрузки (кривая U/f)	P&F - насос/вентилятор	CT - постоянный момент
	4	JOG HZ: Частота вращения в режиме толчка	5 Гц	10 Гц
	5	RELAY: Функция релейного выхода	FLT - Отказ	RUN - Вращение двигателя
	6	AI OFFSET: Мин. значение сигнала аналогового входа	OFF - 0 мА (0 В)	ON - 4 мА (2 В)
	7	AUTORESET: Функция автоматического сброса отказа	OFF - Без автоматического сброса	ON - Автоматический сброс разрешен
	8	HI FREQ: Режим высокой частоты	OFF - Стандартный режим	ON - Режим высокой частоты включен

Дополнительная информация

№	Название	Информация
1	NOM FREQ HZ:	Номинальная частота двигателя (см. паспортную табличку двигателя).
2	SILENT:	Частота коммутации ШИМ привода. Примечание. Чем выше частота, тем выше уровень электромагнитных помех и тем меньше максимальная длина кабеля двигателя, при которой удовлетворяются европейские требования к ЭМС. См. раздел Технические характеристики на стр. 202. Примечание. Частота коммутации влияет на температуру ACS55.
3	LOAD	Оптимизация зависимости выходного напряжения от частоты в соответствии с типом нагрузки. Выберите P&F для нагрузки с квадратичной кривой момента (например, насос или вентилятор) или СТ для нагрузки с постоянным моментом (например, конвейер). ACS55 автоматически увеличивает пусковое напряжение на 10 % для компенсации потерь в двигателе и увеличения пускового момента.
4	JOG HZ:	Частота толчка. Для включения толчкового режима подайте напряжение 12...24 В= на цифровой вход 3 ("JOG"). (Привод ускоряет или замедляет двигатель до частоты толчка и поддерживает эту частоту до тех пор, пока сигнал присутствует на входе.)
5	RELAY	Выбор состояния привода, которое указывает выход реле с нормально разомкнутым контактом. FLT = Отказ. Контакт разомкнут при отказе привода или когда на привод не подается питание. RUN = РАБОТА. Контакты замкнуты, когда привод работает.
6	AI OFFSET:	Включение контроля «активный ноль» для аналогового входа. 4 мА (2 В) = ACS55 переходит в состояние отказа, если значение на входе падает ниже предельного уровня. Информация о масштабировании аналогового входа приведена в разделе Управление скоростью на стр. 200.
7	AUTO- RESET	Включение функции автоматического сброса для следующих отказов: пониженное напряжение, повышенное напряжение, отсутствие сигнала на аналоговом входе. ON = ACS55 автоматически перезапускается через три секунды после отключения вследствие отказа. Максимальное количество операций перезапуска равно десяти в течение трех минут. В случае превышения этого значения ACS55 останавливается, а попытки перезапуска прекращаются. См также Индикаторы состояния и выявление неисправностей на стр. 201. Внимание! После сброса двигатель начинает вращаться, если включен сигнал запуска. Следует убедиться в том, что использование этой функции безопасно.
8	HI FREQ:	Максимальная выходная частота. OFF: макс. частота = значению, заданному переключателем NOM FREQ HZ. ON: макс. частота = значению, заданному переключателем NOM FREQ HZ, + значение, установленное потенциометром HI FREQ. См. раздел Регулировочные потенциометры на стр. 196.



Дополнительная информация приведена в *Руководстве пользователя DriveConfig* [3AFE68910897 (на английском языке)].

Регулировочные потенциометры

Установка регулировочных потенциометров выполняется с помощью отвертки. По умолчанию все потенциометры находятся в среднем положении.

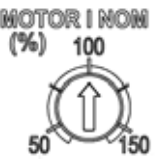

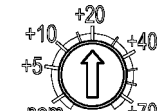
 <p>MOTOR I NOM (%) 100 50 150</p>	MOTOR I NOM	<p>Рассчитайте MOTOR I NOM из приведенного ниже соотношения или выберите по таблице, приведенной ниже. Привод ACS55 вычисляет температуру двигателя исходя из измеренного выходного тока и заданного номинального тока двигателя. Привод отключается, если вычисленная температура указывает на перегрев двигателя.</p> <p>Примечание. Если используется длинный кабель двигателя (когда возникают значительные емкостные токи), может потребоваться увеличение значения MOTOR I NOM.</p> $\text{MOTOR I NOM (\%)} = \frac{\text{Номинальный ток двигателя [A]}}{\text{Номинальный ток ACS55 [A]}} \cdot 100 \%$
 <p>ACC/DEC (s) 5 0 30</p>	ACC/DEC	<p>Время ускорения/замедления от минимальной до максимальной частоты, и наоборот, в секундах. Чем больше это время, тем медленнее изменяется скорость ACS55 до достижения заданного значения.</p>
 <p>+20 +10 +5 nom +40 +70 HI FREQ (Hz)</p>	HI FREQ:	<p>Ограничение выходной частоты на необходимом значении в диапазоне от номинальной частоты до номинальной частоты + 70 Гц. Потенциометр оказывает влияние на работу привода в том случае, когда с помощью переключателя HI FREQ DIP включен режим высокой частоты. См. раздел <i>DIP-переключатели</i> на стр. 194.</p>

Таблица выбора MOTOR I NOM

Номинальный ток двигателя (А)

ACS55-01x-

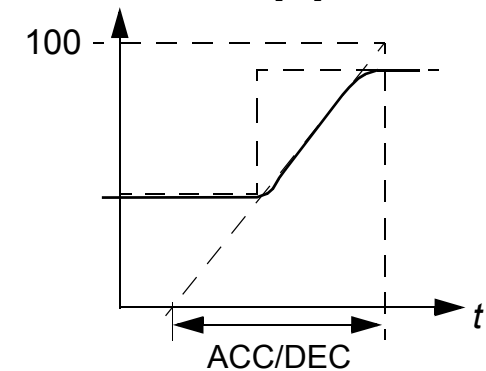
-01A4-x	0,7	0,8	1,0	1,2	1,4	1,6	1,8	2,0	2,1		
-02A2-x	1,1	1,3	1,5	1,8	2,0	2,2	2,4	2,6	2,8	3,0	3,3
-04A3-x	2,2	2,6	3,0	3,5	4,0	4,3	4,7	5,2	5,6	6,0	6,5
-07A6-x	3,8	4,6	5,3	6,1	6,8	7,6	8,4	9,3	10,2	11,4	
-09A8-x	4,9	5,9	6,9	7,8	8,8	9,8	10,8	12,0	13,3	14,7	

MOTOR I NOM

50 60 70 80 90 100 110 120 130 140 150%

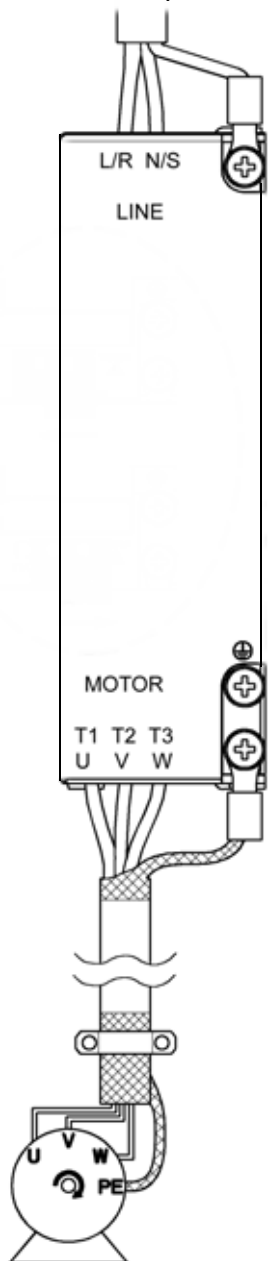
Время ускорения/замедления

Величина задания [%]




Подключение питания и двигателя

Однофазные
входное напряжение



Внимание! Перед началом работ убедитесь, что сетевое напряжение отключено.

Примечание. Убедитесь, что напряжение питания правильное! Подача напряжения 230 В~ на привод ACS50, рассчитанный на 115 В~, приведет к повреждению привода!

Клемма	Описание	Сечения провода	Момент затяжки
L/R, N/S	Вход 1-фазного питания переменного тока	Четырехжильный кабель с сечением макс. 2,5 мм ² (корпуса А и В) или макс. 4 мм ² (корпуса С и D)	0,5 Н·м
T1/U, T2/V, T3/W	Выход питания для двигателя		
РЕ (защитное заземление) 	Защитное заземление. Провод защитного заземления и экран кабеля двигателя.	Используйте многожильный медный провод. Сечение провода не должно быть меньше, чем сечение используемого провода питания.	1 Н·м

Предупреждение! Если радиатор охлаждения не заземлен надлежащим образом, при прикосновении к нему возможно поражение электрическим током.

Примечание. Следует использовать только винты М4х8 Combi из комплекта поставки. Максимально допустимое заглубление винтов заземления **6 мм**.

Соблюдайте местные нормы, регламентирующие сечение кабелей. Следует использовать силовой кабель, рассчитанный на температуру 60 °С либо 75 °С, если температура воздуха превышает 30 °С. См. также [Дополнительные указания по прокладке кабелей и ЭМС](#) на стр. 199.

Ток утечки на землю преобразователя ACS55 превышает 3,5 мА~/10 мА=. В соответствии со стандартом EN50178 эксплуатация привода ACS55 допускается только при стационарном монтаже.

Входные предохранители

Рекомендуемые типы предохранителей см. в разделе [Технические характеристики](#) на стр. 202.

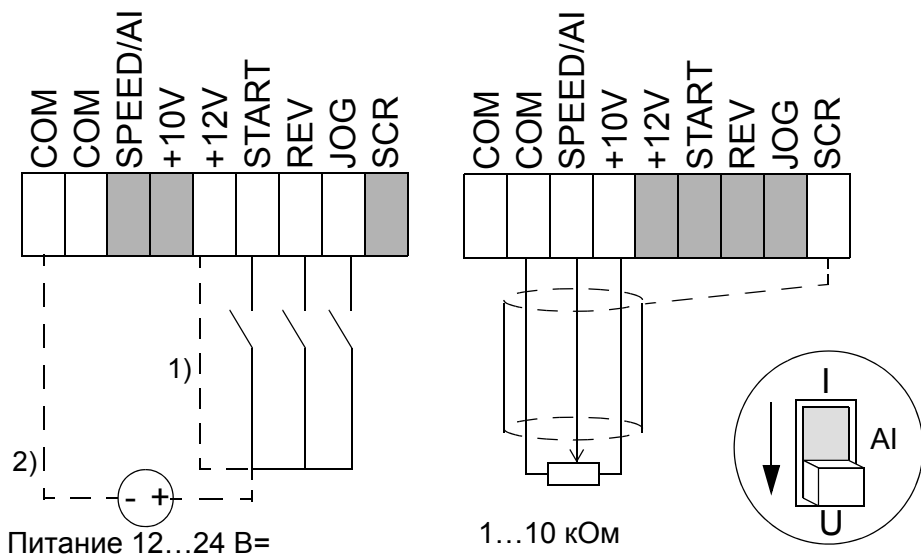
Двигатель

В качестве двигателя используются трехфазные асинхронные двигатели переменного тока с номинальным напряжением U_N от 200 до 240 В и номинальной частотой f_N 50 или 60 Гц. Номинальный ток двигателя должен быть меньше или равен номинальному выходному току привода (I_2).

При подсоединении фаз привода и двигателя U-U, V-V, W-W и выборе прямого направления вращения вал двигателя вращается по часовой стрелке (если смотреть со стороны конца вала, соединяемого с нагрузкой).

Подключение проводов управления

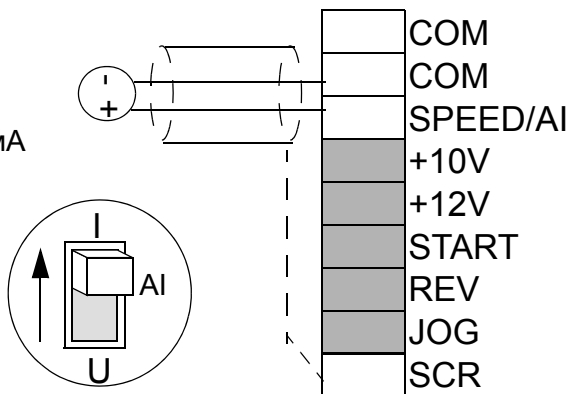
Для подачи сигналов на цифровые входы можно использовать внутренний (1) или внешний (2) источник питания. Аналоговое напряжение управления по умолчанию изменяется в диапазоне 0...10 В постоянного тока. (Переключатель AI должна находиться в положении "U".)



При использовании токового сигнала 0/4...20 мА:

- установите переключатель AI в положение "I".

- для входного сигнала 4...20 мА установите переключатель AI OFFSET в положение ON.



Клеммы управления

- Сечение провода: многожильный, 0,25...1,5 мм² (AWG 23 – AWG 16)
- Момент затяжки: 0,25 Н·м.

#	Название	Описание
1	COM	Общий для цифровых и аналоговых входов ¹⁾ .
2	COM	Общий для цифровых и аналоговых входов ¹⁾ .
3	AI	Аналоговый вход: Задание скорости (частоты). 0/2...10 В= (R _i = 190 кОм) или 0/4...20 мА (R _i = 100 Ом). Разрешение 0,1 %, погрешность +/-1 %.
4	+10V	Опорное напряжение для аналогового входа. Погрешность +/-2 %. Макс. ток 10 мА
5	+12V	Дополнительное напряжение для цифровых входов, макс. 30 мА.
6	START	Цифровой вход 1: Пуск (перезагружает привод после отключения вследствие отказа) ²⁾ .
7	REV	Цифровой вход 2: Обратное направление вращения ²⁾ .
8	JOG	Цифровой вход 3: Включение толчковой скорости ²⁾ .
9	SCR	Заземление экрана сигнальных кабелей. Подключено к корпусу (земле) внутри привода.
Релейный выход		
1	RO1	Отказ: Реле размыкает напряжение 12...250 В~ / 30 В=, коммутируемый ток 10 мА...2 А
2	RO2	

1) Подключено к корпусу (земле) внутри прибора через резистор 1 МОм.

2) Сопротивление цифрового входа равно 1,5 кОм.

Дополнительные указания по прокладке кабелей и ЭМС

Выполняйте приведенные ниже указания для обеспечения безотказной работы привода и удовлетворения европейских требований к ЭМС.

Кабель двигателя

Подключение двигателя следует выполнять симметричным трехжильным экранированным кабелем с концентрическим проводником защитного заземления либо четырехжильным кабелем с концентрическим экраном. Рекомендуется использовать кабели с экраном в виде металлической оплетки, например типа MCCMK (NK Cables).

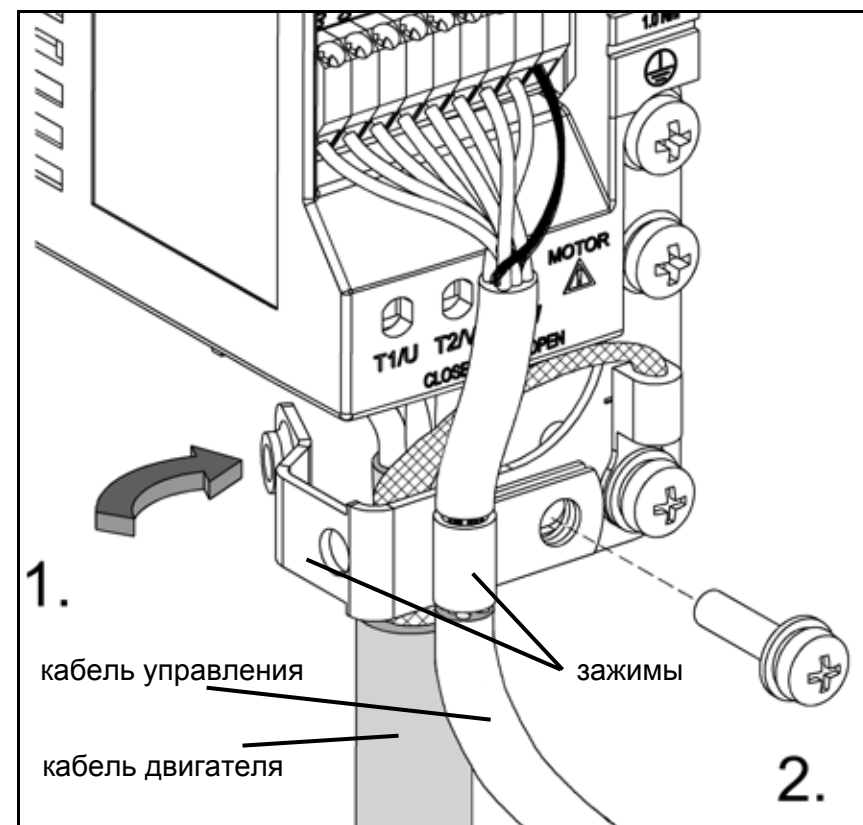
- Скрутите проводники экрана в жгут и подключите жгут к клемме заземления \perp . Длина жгута должна быть минимальной.
- При использовании внешнего или внутреннего фильтра ЭМС зажмите экран кабеля, как показано на рисунке.
- Необходимо обеспечить 360-градусное (круговое) заземление экрана кабеля двигателя со стороны двигателя с использованием кабельного сальника, отвечающего требованиям ЭМС, или скрутить проводники экрана в жгут, длина которого не превышает его 5-кратной толщины, и подключить жгут к клемме защитного заземления двигателя.

Кабели управления

Кабель управления должен быть многожильным с медным плетеным проволочным экраном. Для подключения аналоговых сигналов рекомендуется кабель типа "витая пара с двойным экраном".

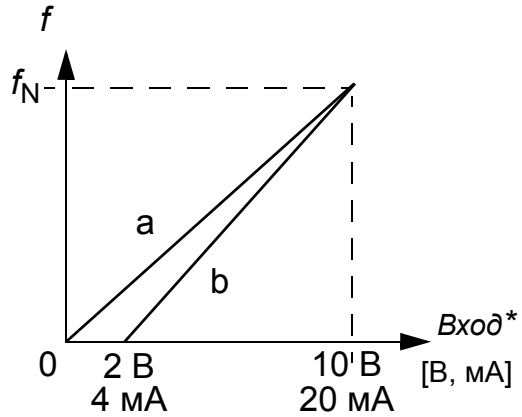
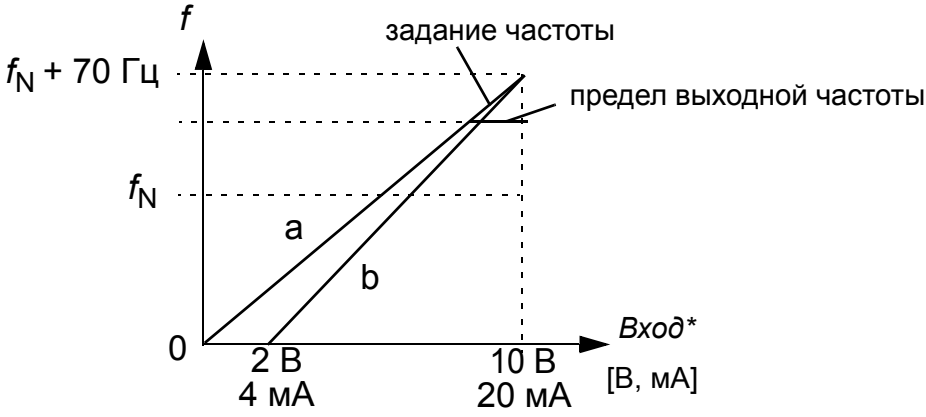
- Скрутите экран в жгут и подключите его к клемме SCR. Длина жгута должна быть минимальной.
- Зажмите кабели управления, как показано на рисунке (только для приводов с фильтром ЭМС).
- Во избежание электромагнитных помех прокладывайте кабель двигателя как можно дальше от кабелей управления и питания (расстояние должно быть > 20 см).

Примечание. Запрещается подключение сигналов 24 В= и 115/230 В~ одним кабелем.



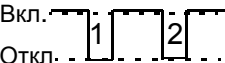
Управление скоростью

Задание скорости (частоты) подается в привод ACS55 через аналоговый вход. Зависимость между аналоговым сигналом и заданием определяется положениями DIP-переключателей (см. ниже). Связь выходной частоты с изменениями задания определяется положением потенциометра ACC/DEC.

Режим высокой частоты отключен (по умолчанию)	Режим высокой частоты включен
 <p>Положение DIP-переключателей: HI FREQ = OFF AI OFFSET = OFF (кривая a) или ON** (кривая b) MOTOR NOM FREQ = 50 или 60 Гц</p> <p>Выходная частота ограничена выбранным значением номинальной частоты двигателя.</p>	 <p>Положение DIP-переключателей: HI FREQ = ON AI OFFSET = OFF (кривая a) или ON** (кривая b) MOTOR NOM FREQ = 50 или 60 Гц</p> <p>Фактическое максимальное значение выходной частоты находится в диапазоне от f_N до $f_N + 70$ Гц в зависимости от положения потенциометра HI FREQ. Потенциометр не влияет на масштабирование сигнала аналогового входа.</p>
<p>* Для выбора сигнала в виде сигнала напряжения или сигнала тока используется переключатель AI. См. стр. 198.</p> <p>** Для защиты привода в случае отсутствия сигнала на аналоговом входе привод отключается, если величина сигнала становится ниже 2 В (4 мА).</p>	

Индикаторы состояния и выявление неисправностей

В приводе ACS55 предусмотрено два светодиодных индикатора состояния, которые видны через переднюю крышку. Если привод обнаруживает неисправность, мигает красный светодиод. После устранения неисправности выполните сброс, сняв сигнал запуска. Если сигнал запуска не подан, включите и снова выключите его. Коды отказов (количество вспышек светодиода) приведены в таблице.

Зеленый светодиод	Красный светодиод	Описание
Вкл.	Откл.	ACS55 работает нормально.
Вкл.	Мигает Вкл.  Откл.	Включена функция защиты. Количество вспышек указывает код отказа.
Мигает	Мигает	Сброс отказа привода ACS55 будет автоматически выполнен в течение 3 секунд. (*) Внимание! Двигатель начинает вращаться, если подан сигнал запуска.

#	Возможные причины и способы устранения неисправностей	#	Возможные причины и способы устранения неисправностей
1	Повышенное напряжение на шине постоянного тока (*). 1) Слишком большое напряжение сети: Проверьте напряжение питания. 2) Время замедления недостаточно для реального момента инерции нагрузки. Увеличьте время ACC/DEC с помощью соответствующего потенциометра.	7	Перегрузка двигателя (перегрузка I^2t). 1) Проверьте нагрузку и убедитесь, что мощность двигателя соответствует характеристикам ACS55. 2) Убедитесь, что потенциометр MOTOR I NOM установлен правильно.
2	Низкое напряжение на шине постоянного тока (*). Напряжение сети слишком низкое. Проверьте напряжение питания.	8	Перегрузка инвертора или повышенная температура привода. 1) слишком большая нагрузка или 2) недостаточное охлаждение привода.
3	Короткое замыкание на выходе: Отключите питание и проверьте обмотки и кабель двигателя.	9	Другие сигналы отказов. Внутренняя неисправность. Отключите и снова включите питание. Если отказ сохраняется, замените привод.
4	Перегрузка по выходному току. 1) Время ускорения недостаточно для реального момента инерции нагрузки. Увеличьте время ACC/DEC с помощью соответствующего потенциометра. 2) Несоответствие мощности двигателя и привода. Проверьте двигатель.	10	Сбой при параметризации. Примечание. Оба светодиода будут мигать. DIP-переключатели были переведены из состояния по умолчанию после завершения параметризации привода с помощью программы DriveConfig. Переведите переключатели в положения по умолчанию.
5	Зарезервировано	11	Привод питается от аккумулятора. Состояние привода показывает отказ, так как невозможно запустить привод. Для работы привод должен быть подключен к сети питания. Однако при питании привода от питания комплекта DriveConfig соединение между DriveConfig и приводом не нарушается.
6	Входной аналоговый сигнал меньше 4 мА/2 В. (*) Примечание. Данная функция контроля активна, если включено AI OFFSET.	12	Привод управляется программой DriveConfig (или другим приложением по каналу последовательной связи), и связь была прервана. Проверьте связь.

(*) Автоматический сброс, если включен автоматический перезапуск (AUTORESET = ON). См. [DIP-переключатели](#) на стр. 194.

Технические характеристики

		230 В					115 В	
Встроенный фильтр ЭМС, ACS55-01E-		01A4-2	02A2-2	04A3-2	07A6-2	09A8-2	01A4-1	02A2-1
Без фильтра ЭМС, ACS55-01N-		01A4-2	02A2-2	04A3-2	07A6-2	09A8-2	01A4-1	02A2-1
Длительная выходная мощность двигателя	кВт	0,18	0,37	0,75	1,5	2,2	0,18	0,37
	л.с.	1/4	1/2	1	2	3	1/4	1/2
Типоразмер корпуса (без фильтра ЭМС)		A	A	B	C	C	A	A
Типоразмер корпуса (с фильтром ЭМС)		A	A	B	D	D	A	A
Номинальные характеристики								
Напряжение питания U_1	В	200...240 (+10/-15 %)					110...120 (+10/-15 %)	
Длительный выходной ток I_2	A	1,4	2,2	4,3	7,6	9,8	1,4	2,2
Макс. выходной ток I_{2max}^*	A	2,1	3,3	6,5	11,4	14,7	2,1	3,3
Выходное напряжение U_2	В	0... U_1 , 3--фазное					0... $2xU_1$, 3--фазное	
Потребляемый ток I_1	A	4,4	6,9	10,8	18,2	22,0	6,4	9,5
Частота коммутации	кГц	5 (макс. 16)						
Пределы срабатывания защиты								
Перегрузка по току (пиковая)	A	4,4	6,9	13,5	23,9	30,9	4,4	6,9
Перегрев		95 °C (радиатор охлаждения)						
Макс. сечение кабелей								
Силовые клеммы	мм ²	2,5 (AWG 14)			4 (AWG 12)		2,5 (AWG 14)	
Клеммы управления	мм ²	1,5 (AWG 16)						
Потери мощности	Вт	21	32	51	74	103	24	35
Входные предохранители**								
IEC, типа IEC269 gG	A	10	16	16	25	32	10	16
UL, типа CC и T	A	10	15	20	25	30	10	15
Вес, встроенный фильтр ЭМС, ACS55-01E-	кг/(фунтов)	0,65 (1,4)	0,7 (1,5)	0,9 (2)	1,6 (3,5)	1,7 (3,7)	0,65 (1,4)	0,7 (1,5)
Вес, без фильтра ЭМС, ACS55-01N-	кг/(фунтов)	0,65 (1,4)	0,7 (1,5)	0,9 (2)	1,2 (2,6)	1,3 (2,9)	0,65 (1,4)	0,7 (1,5)

* Допускается в течение 1 мин.

** Рекомендуемые. Не пользуйтесь быстродействующими предохранителями и предохранителями с малыми пиковыми токами. Соблюдайте местные требования.

Максимальная длина кабеля двигателя

В таблице ниже приведены значения максимальной длины кабеля двигателя, при которой выполняются европейские требования к ЭМС. Чем короче кабель двигателя, тем меньше излучаемые помехи, воздействующие на питающую сеть и соседнее оборудование.

Тип преобразователя ACS55-01x-	Частота коммутации	
	5 кГц	16 кГц ¹⁾
Встроенный фильтр ЭМС		
<i>EN61800-3, первые условия эксплуатации, неограниченное распространение ²⁾</i>		
01A4-2, ..., 04A3-2	10 м	3 м
01A4-1, 02A2-1	10 м	3 м
07A6-2, 09A8-2	10 м	3 м
<i>EN61800-3, первые условия эксплуатации, ограниченное распространение ³⁾</i>		
01A4-2, ..., 04A3-2	10 м	10 м
01A4-1, 02A2-1	10 м	10 м
07A6-2, 09A8-2	20 м	10 м
<i>EN61800-3, вторые условия эксплуатации ³⁾</i>		
01A4-2, ..., 04A3-2	10 м	10 м
01A4-1, 02A2-1	10 м	10 м
07A6-2, 09A8-2	30 м	10 м

1) Частота коммутации устанавливается DIP-переключателем. См. стр. [195](#).

2) Применимо только к кондуктивным помехам.

3) Применимо к кондуктивным и излучаемым помехам.

Защиты

от превышения напряжения, от пониженного напряжения, от короткого замыкания на выходе, от перегрузки по току, от отсутствия аналогового входного сигнала, от перегрузки двигателя, от перегрузки инвертора.

Распределительные сети, изолированные от земли

Запрещается использовать приводы со встроенным фильтром ЭМС в незаземленных (изолированных от земли или с высокоомным заземлением) промышленных электросетях.

Защита окружающей среды

Утилизируемое изделие содержит ценное сырье, которое в целях сбережения энергии и природных ресурсов подлежит повторному использованию. Инструкции по утилизации можно получить в торговых организациях АВВ и сервисных компаниях.

Ограничение ответственности

Изготовитель не несет ответственности за

- любые расходы, возникшие вследствие того, что монтаж, ввод в эксплуатацию, ремонт, модификация или условия эксплуатации привода не соответствуют требованиям, изложенным в документации, предоставленной вместе с приводом, или другой документации, относящейся к приводу;
- дефекты оборудования, возникшие в результате его неправильного использования, небрежного обращения с ним или несчастного случая;
- оборудование, содержащее материалы или конструктивные решения, использованные по специальному указанию потребителя.

Изготовитель, а также его поставщики и субподрядчики ни при каких условиях не несут ответственности за специальный, косвенный, случайный или воследовавший ущерб, убытки или штрафные санкции, возникшие вследствие неисправности привода.

При возникновении каких-либо вопросов, связанных с приводом АВВ, обращайтесь к местному дилеру или в представительство корпорации АВВ. Техническая информация и характеристики действительны на момент опубликования. Изготовитель сохраняет за собой право вносить изменения без предварительного уведомления.

Соответствие стандартам

CE

Привод ACS55 удовлетворяет требованиям следующих европейских стандартов:

- Директива по низкому напряжению 73/23/ЕЕС с поправками
- Директива по ЭМС 89/336/ЕЕС с поправками.

Соответствующие декларации и список основных стандартов предоставляются по запросу.

Электромагнитная совместимость:

Привод ACS55 удовлетворяет требованиям перечисленных ниже стандартов при условии, что монтаж привода выполнен правильно и в соответствии с инструкциями данного руководства.

Кондуктивные высокочастотные помехи	EN61800-3, первые условия эксплуатации, неограниченное/ограниченное распространение ¹⁾
Высокочастотное излучение	EN61800-3, первые условия эксплуатации, ограниченное распространение
Помехоустойчивость	EN61800-3, вторые условия эксплуатации
Гармонические искажения сетевого тока	IEC61000-3-2

1) Выполняйте требования к максимальной длине кабеля двигателя и частоте коммутации (ШИМ), см. стр. 203. См. также указания по прокладке кабелей на стр. 199.

Возможно снижение токов высших гармоник путем установки в цепи питания внешних дросселей.

Маркировка UL, cUL и C-Tick

См. паспортную табличку.

UL, cUL:

привод ACS55 пригоден для использования в сетях, способных подавать симметричный ток не более 65 кА (эфф. значение), не более 230 В с защитой посредством предохранителей класса CC или T.

C-Tick:

Данные по электромагнитной совместимости приведены в спецификации выше, в разделе [CE](#).

Соответствие Директиве Европейского союза по машинам и механизмам

Привод соответствует требованиям директивы Европейского союза по машинному оборудованию, относящимся к встраиваемому в машины электрическим устройствам. Декларацию о соответствии можно получить в ABB.

Защита изделия в США

Это изделие защищено одним или несколькими из следующих патентов США

4,920,306	5,301,085	5,463,302	5,521,483	5,532,568	5,589,754	5,612,604
5,654,624	5,799,805	5,940,286	5,942,874	5,952,613	6,094,364	6,147,887
6,175,256	6,184,740	6,195,274	6,229,356	6,252,436	6,265,724	6,305,464
6,313,599	6,316,896	6,335,607	6,370,049	6,396,236	6,448,735	6,498,452
6,552,510	6,597,148	6,600,290	6,741,059	6,774,758	6,844,794	6,856,502
6,859,374	6,922,883	6,940,253	6,934,169	6,956,352	6,958,923	6,967,453
6,972,976	6,977,449	6,984,958	6,985,371	6,992,908	6,999,329	7,023,160
7,034,510	7,036,223	7,045,987	7,057,908	7,059,390	7,067,997	7,082,374
7,084,604	7,098,623	7,102,325	7,109,780	7,164,562	7,176,779	7,190,599
7,215,099	7,221,152	7,227,325	7,245,197	7,250,739	7,262,577	7,271,505
7,274,573	7,279,802	7,280,938	7,330,095	7,349,814	7,352,220	7,365,622
7,372,696	7,388,765	7,408,791	7,417,408	7,446,268	7,456,615	7,508,688
7,515,447	7,560,894	D503,931	D510,319	D510,320	D511,137	D511,150
D512,026	D512,696	D521,466	D541,743S	D541,744S	D541,745S	
D548,182S	D548,183S	D573,090S				

Остальные патенты находятся в стадии рассмотрения.

Вспомогательные устройства

Входные дроссели: СНК-А1, СНК-В1, СНК-С1, СНК-Д1

Выходные дроссели: ACS-СНК-В3, ACS-СНК-С3

Потенциометр: ACS55-POT

Для получения дополнительной информации по комплекту программы DriveConfig обращайтесь в местное представительство ABB.

См. *Руководство по эксплуатации DriveConfig* [3AFE68910897 (на английском языке)].

Användar- handledning

för frekvens-
omriktare ACS55
från 0,18 till 2,2 kW



Svenska SV

Frågor om produkter och service

Eventuella frågor med avseende på produkten skall riktas till lokal ABB-representant. Ange produktens typkod och serienummer. En lista över ABBs försäljnings-, support- och servicekontakter finns på adressen www.abb.se/frekvensomriktare. Klicka på länkarna vid *Världsomspännande servicenätverk (ENG)*

Produktutbildning

För information om ABBs produktutbildning, gå till www.abb.com/drives och välj *Training courses*.

Kommentarer om ABB Drives handböcker

Vi välkomnar dina kommentarer om våra handböcker. Gå till www.abb.se/frekvensomriktare, välj *Dokumentation – Ge feedback på våra handböcker inom lågspänningsfrekvensomriktare*).

3AFE68929300 Rev C
SV
Gäller från: 2010-04-12

ABB Automation Products
Svensk Försäljning Motorer & Drivsystem
Örjansgränd 10
S-72177 Västerås
SVERIGE
Telefon +46-21-329000
Telefax +46-21-148671
Internet www.abb.se/motorer&drivsystem

Säkerhetsanvisningar

Läs följande instruktioner noggrant före fortsatt installation.

Varning! Farlig spänning!

Endast kompetent elektriker får installera ACS55.

Arbeta aldrig med frekvensomriktaren, motorkabeln eller motorn när nätspänning är applicerad. När matningen har brutits, vänta alltid minst 5 minuter för att låta mellanledskondensatorerna ladda ur innan något arbete utförs på frekvensomriktaren.

Varning! Om kylflänsen inte är korrekt jordad kan du utsättas för en elektrisk stöt om du vidrör kylflänsen.

Obs: DIP-omkopplarna ligger på farlig spänningsnivå.

Obs: Även om motorn är stoppad ligger det farliga spänningar på plintarna L/R, N/S, T1/U, T2/V och T3/W.

Obs: Även när enheten är avstängd kan det finnas farliga externa spänningar anslutna till reläutgångsplintarna.

Varning! Heta ytor!

Under drift kan kylflänsen nå hög temperatur (>80°C). Följ noggrant installationsinstruktionerna.

Allmänna säkerhetsinstruktioner

ACS55 startar motorn automatiskt efter ett matningsavbrott om extern startsignal föreligger.

Försök aldrig att reparera en felaktig enhet. ACS55 kan inte repareras i fält. Kontakta leverantören för byte.

Installera ACS55 i ett utrymme som är låst eller som endast kan öppnas med specialverktyg.

Anslut inte nätspänning till enheten med kortare intervall än tre minuter.

Ändring av DIP-omkopplarnas lägen påverkar funktion och prestanda hos ACS55. Kontrollera att förändringarna inte kommer att orsaka fara för personer eller egendom.

Om denna handledning

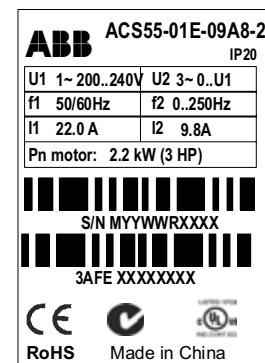
Denna handledning ger nödvändig information för installation och igångkörning av enheten.

Leveranskontroll

I leveransen ingår:

1. ACS55
2. Användarhandledning
3. Två plintar för styrkabeln (endast EMC-enheter).

Kontrollera märkskylten och verifiera att levererad enhet motsvarar beställningen.



ACS55-01 - -

EMC-filter: E = Inbyggt N = Nej

Max. kontinuerlig utström (I_2):

01A4 = 1,4 A, 02A2 = 2,2 A, 04A3 = 4,3 A,

07A6 = 7,6 A, 09A8 = 9,8 A

Matningsspänning (U_1):

1 = 110...120 VAC +10 %/-15 %

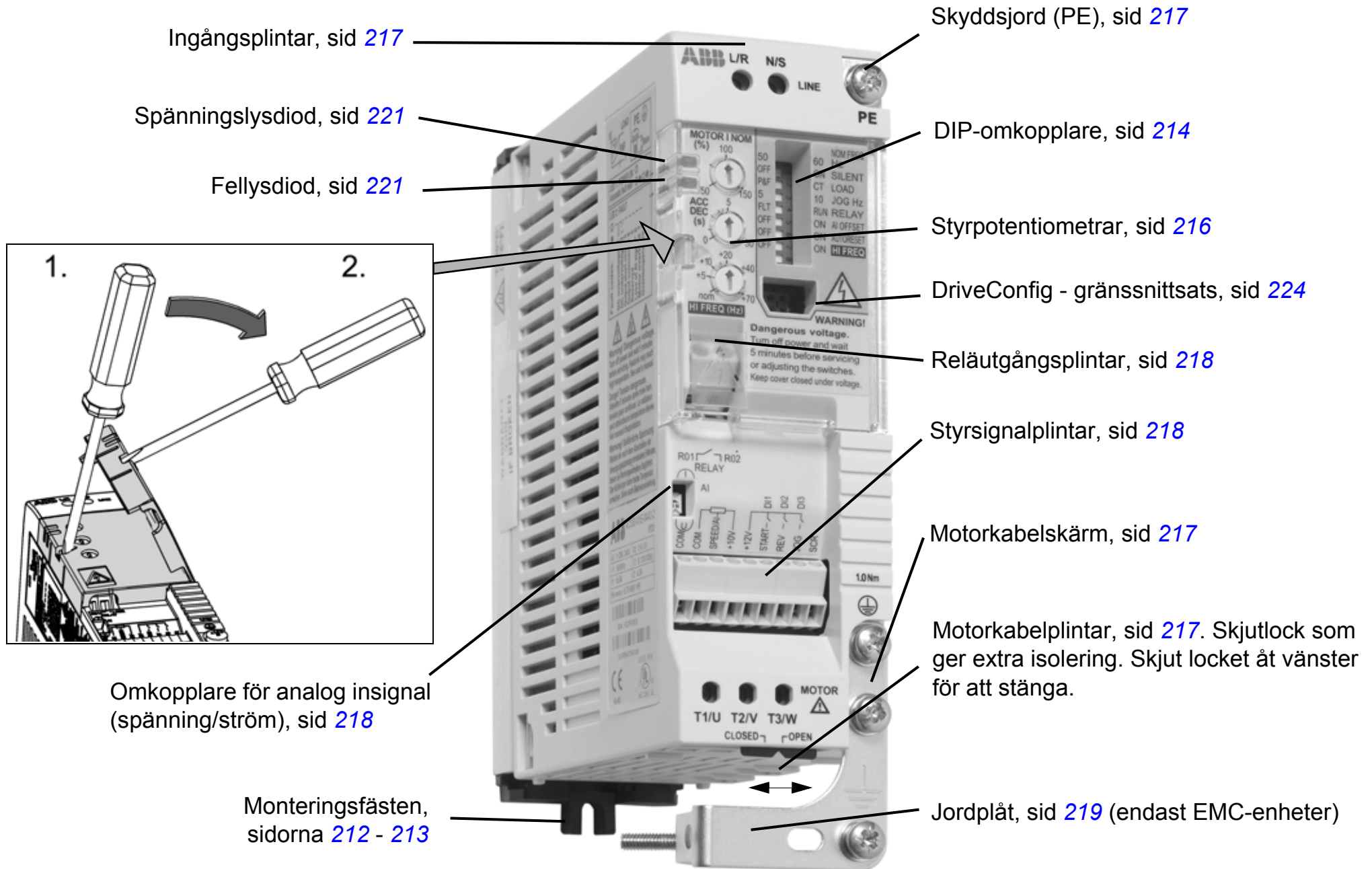
2 = 200...240 VAC +10 %/-15 %

Serienummer (S/N) anges på märkskylten.

(M = tillverkningsort, YY = tillverkningsår, WW = tillverkningsvecka, R = produktrevisionsnummer (A, B, C...), XXXX = heltal som startar om varje vecka från 0001)

Översikt av enheten

Frekvensomriktare ACS55 styr varvtalet hos en 3-fasig asynkronmotor.



Installations- och igångkörningsprocedur

Läs [Säkerhetsanvisningar](#) på sid [207](#) före fortsatt arbete.

	Åtgärd	Sid.
1	Kontrollera leveransen.	207
2	Kontrollera att installationsmiljön är lämplig för ACS55.	210
3	Montera enheten.	212 - 213
4	Kontrollera att standardinställningarna kan tillämpas: Motorns märkfrekvens är 50 Hz, belastningen är en pump eller en fläkt, maximal utfrekvens är 50 Hz. Om standardinställningarna inte kan tillämpas, justera DIP-omkopplarnas lägen.	214
5	Kontrollera att läget hos potentiometern MOTOR I NOM överensstämmer med motorns märkström. Den definierar funktionen hos motorns överhettningsskydd.	216
6	Justera vid behov läget hos potentiometern för accelerations- och retardationstid, ACC/DEC.	216
7	Anslut matningkabeln och motorkablarna.	217
8	Anslut styrkablarna.	218
9	Spänningssätt enheten. Grön lysdiod lyser. Obs: Motorn börjar rotera om startsignal föreligger.	
10	Ställ in hastighetsreferensen och aktivera startsignalen. Motorn accelererar till angivet varvtalsbörvärde.	220

Kontroll av installationens isolation

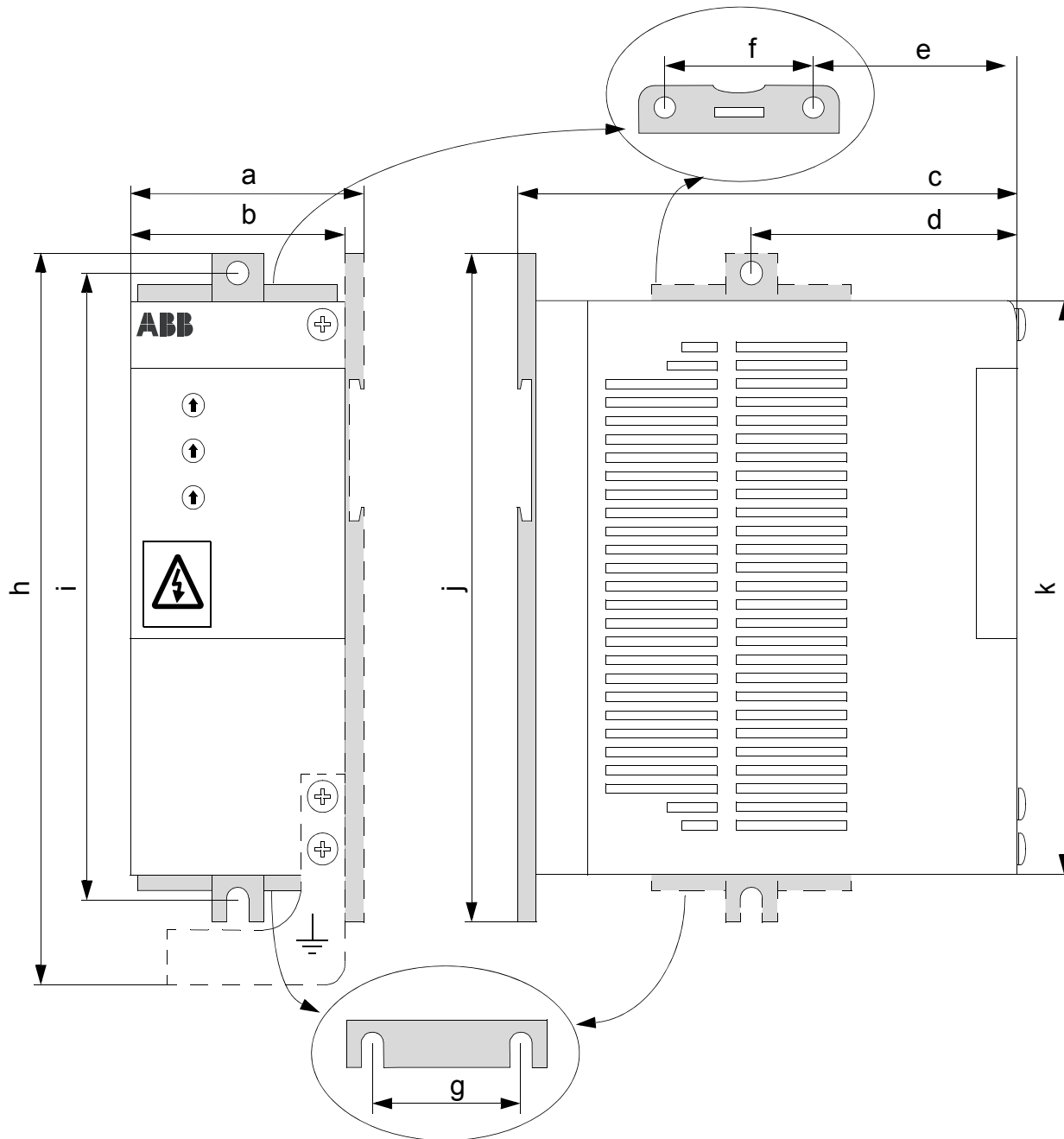
Gör inga test av spänningstolerans eller isolationsresistans (t.ex. hi-pot eller megger) på någon del av frekvensomriktaren. Sådana test kan skada frekvensomriktaren. Varje enskild frekvensomriktare har testats med avseende på isolering mellan huvudkrets och chassi före leverans från fabrik. Dessutom finns det spänningsbegränsande kretsar inuti frekvensomriktaren som reducerar testspänningen automatiskt.

Driftmiljö

	Installationsplats	Förvaring och transport i skyddande förpackning	
Lufttemperatur	-20°C, ingen frost tillåten ¹⁾ +40°C, vid nominell belastning +50°C, om kontinuerlig utström är max 85 % av märkutström I_2 +55°C (131°F), om kontinuerlig utström är max 75 % av märkutström I_2	-40°C till +70°C	
Installationshöjd	0...2000 m. På höjder 1000...2000 m skall P_N och I_2 stämplas ner 1 % per 100 m.	Ingen begränsning	
Relativ fuktighet	Under 95 %, ej kondenserande	Under 95 %, ej kondenserande	
Förorenings- nivåer (IEC 60721-3-3)	<ul style="list-style-type: none"> • Ledande damm ej tillåtet • Kyluften skall vara ren, utan frätande substanser eller ledande damm • Kemiska gaser: Klass 3C2 • Fasta partiklar: Klass 3S2 	Lagring	Transport
		<ul style="list-style-type: none"> • Ledande damm ej tillåtet • Kemiska gaser: Klass 1C2 • Fasta partiklar: Klass 1S2 	<ul style="list-style-type: none"> • Ledande damm ej tillåtet • Kemiska gaser: Klass 2C2 • Fasta partiklar: Klass 2S2
Sinusformade vibrationer (IEC 60068-2-6)	Frekvensområde: 5...150 Hz Konstant toppacceleration: 1 g	I enlighet med specifikationen ISTA 1A	
Stötar (IEC 60068-2-29)	Tillåts ej	Max. 100 m/s ² , 11 ms	
Fritt fall	Tillåts ej	Tillåts ej	

1) Vid drift av frekvensomriktaren i temperaturer understigande fryspunkten, låt inkommande matning vara kontinuerligt ansluten. Installera frekvensomriktaren i ett skåp. Kontrollera att värmen som frekvensomriktaren genererar leds bort effektivt.

Kapslingsklassen för ACS55 är IP20.



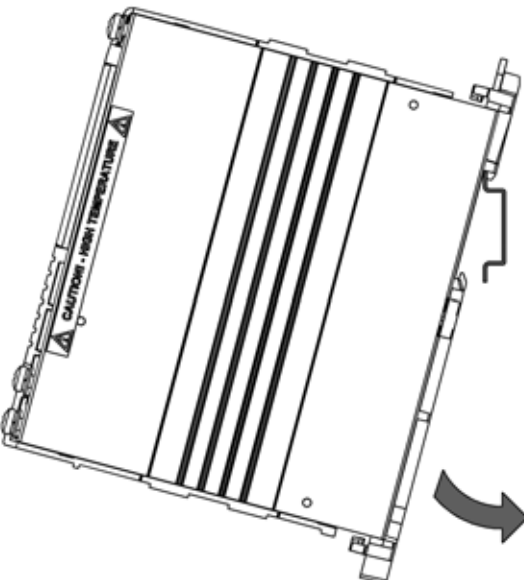
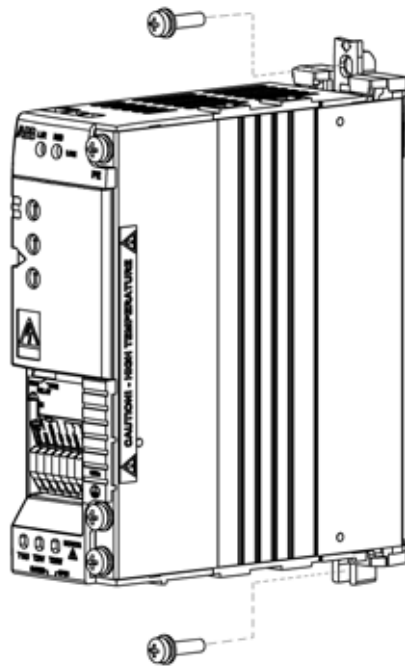
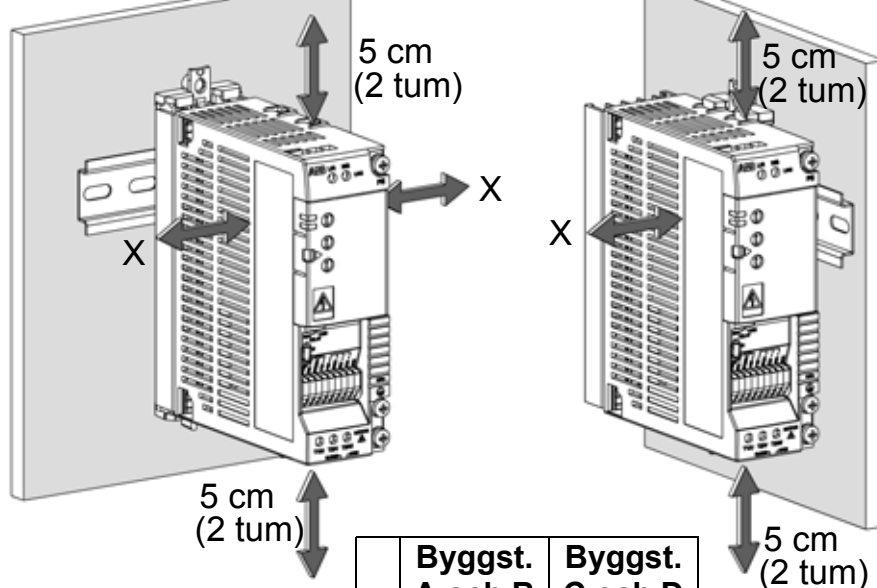
	Bygg- storl. A mm (tum)	Bygg- storl. B mm (tum)	Bygg- storl. C mm (tum)	Bygg- storl. D mm (tum)
a	53 (2,09)	72 (2,83)	74 (2,91)	74 (2,91)
b	45 (1,77)	67,5 (2,66)	70 (2,76)	70 (2,76)
c	128 (5,04)	128 (5,04)	159 (6,26)	159 (6,26)
d	67,5 (2,66)	67,5 (2,66)	-	-
e	-	-	77 (3,03)	77 (3,03)
f	-	-	40 (1,57)	40 (1,57)
g	-	-	40 (1,57)	40 (1,57)
h	183 (7,20)	183 (7,20)	-	230 (9,06)
i	156 (6,14)	156 (6,14)	182 (7,17)	214 (8,43)
j	170 (6,69)	170 (6,69)	194 (7,64)	226 (8,90)
k	146,5 (5,77)	146,5 (5,77)	171 (6,73)	203 (7,99)

Montering

Varning! Enheten når hög temperatur under normal drift. Säkerställ tillräckligt kylflöde under alla förhållanden:

- Installera alltid ACS55 så att kylflänsarna är vertikala.
- Lämna tillräckligt utrymme kring enheter med byggstorlek A och B. Byggstorlekarna C och D är fläktkylda och kan därför monteras i direkt anslutning till varandra, utan fritt utrymme emellan.

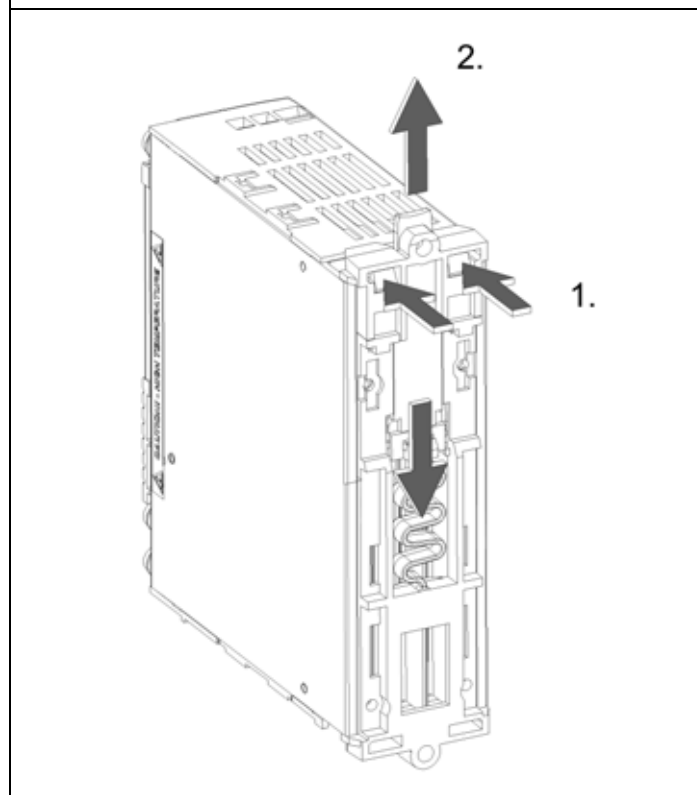
Installera enheten med hjälp av medföljande fäste på en 35 mm DIN-skena eller på vägg.

Montering på DIN-skena "Klicka fast" ACS55 på skenan. Tryck på armen högst upp på fästet för att lossa enheten.	Montering på vägg Installera enheten på vägg med hjälp av fästet. Använd M4-skrivar.	Fritt utrymme Lämna alltid tillräckligt mycket fritt utrymme kring enheten för att säkerställa effektiv kylning.						
		 <table border="1" data-bbox="1594 1264 1937 1428"> <thead> <tr> <th></th> <th>Byggst. A och B cm (tum)</th> <th>Byggst. C och D cm (tum)</th> </tr> </thead> <tbody> <tr> <td>X</td> <td>1,5 (0,6)</td> <td>0 (0)</td> </tr> </tbody> </table>		Byggst. A och B cm (tum)	Byggst. C och D cm (tum)	X	1,5 (0,6)	0 (0)
	Byggst. A och B cm (tum)	Byggst. C och D cm (tum)						
X	1,5 (0,6)	0 (0)						

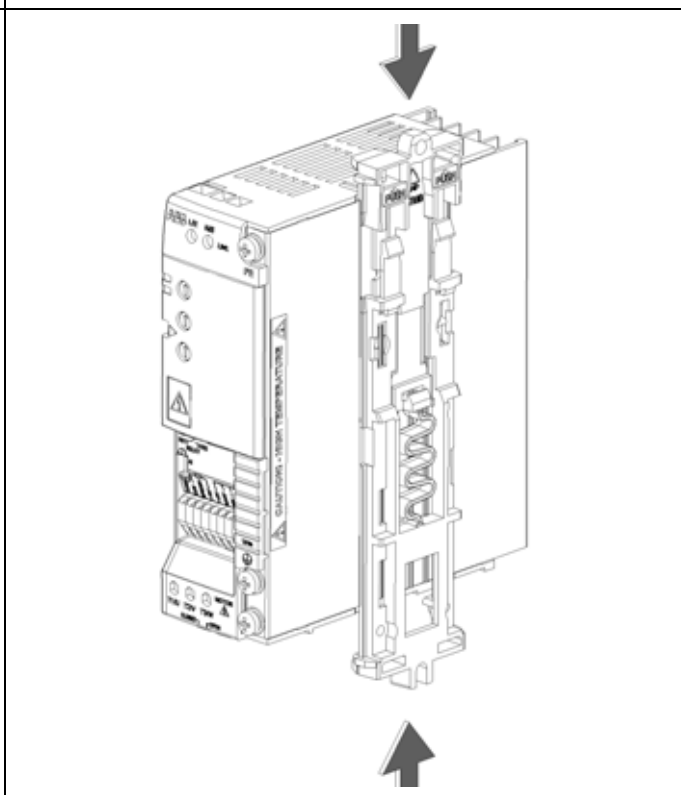
Montering och demontering av fäste

Enheten kan monteras med den breda eller den smala sidan mot väggen. Installera fästet på önskad sida. Se instruktionerna nedan för byggstorlekarna A och B. Ta av monteringsbygeln från byggstorlekarna C och D genom att dra den nedåt. Sätt på den genom att trycka den uppåt.

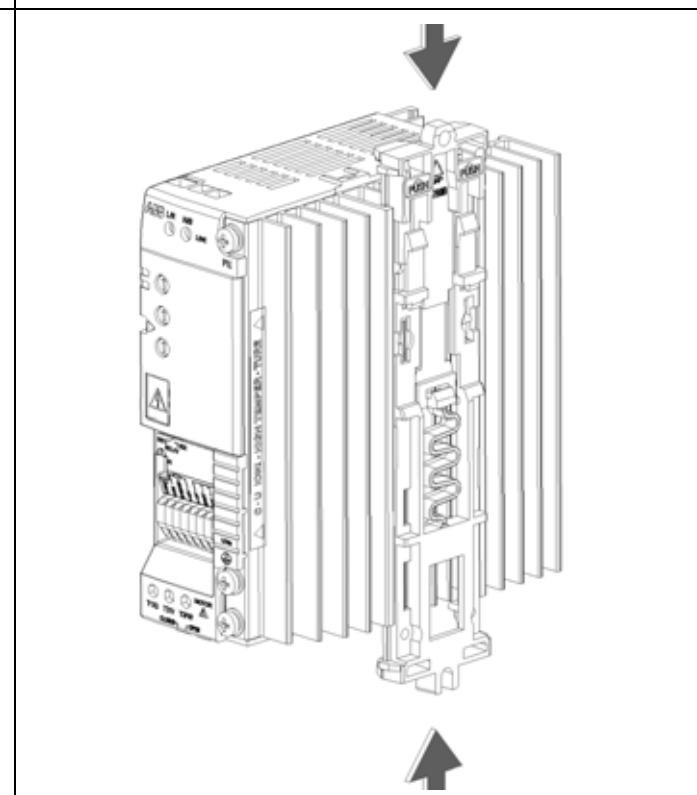
Demontering av fäste, byggstorlekarna A och B: Tryck in de båda plasttungorna för att separera den övre och den nedre delen av fästet från varandra.



Montering av fäste, figur A: Placera de båda delarna enligt figuren och skjut ihop dem tills det klickar.



Montering av fäste, figur B: Tryck in de båda delarna i kylelementet och skjut ihop dem tills det klickar.



DIP-omkopplare

DIP-omkopplare används för att anpassa ACS55 till motorn och tillämpningen.

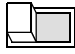
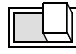
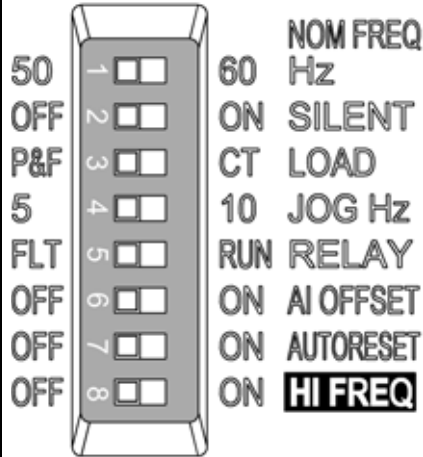


Varning! DIP-omkopplarna ligger på farlig spänning (200 V). Bryt matningen och vänta 5 minuter före ändring av omkopplarlägen. Se till att kåpan är stängd när ACS55 är spänningsatt.

Konfigurering

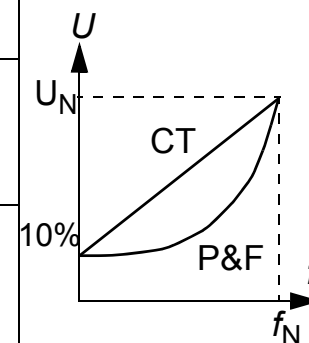
- Öppna frontkåpan med hjälp av spetsen på en skruvmejsel och ställ in DIP-omkopplarna.
- Använd spetsen av en skruvmejsel för att flytta omkopplarna. Som standard står alla omkopplare i sitt vänstra läge.
- Sätt tillbaka skyddskåpan.

Grundläggande information

DIP-omkopplare	#	Namn och funktion:	Förvald	Alternativ
			inställning 	inställning 
 <p>50 OFF P&F 5 FLT OFF OFF OFF</p> <p>1 2 3 4 5 6 7 8</p> <p>60 ON CT 10 RUN ON ON ON</p> <p>NOM FREQ Hz SILENT LOAD JOG Hz RELAY AI OFFSET AUTORESET HI FREQ</p>	1	NOM FREQ HZ: Motorns märkfrekvens	50 Hz	60 Hz
	2	SILENT: Motorljudnivå (PWM-moduleringsfrekvens)	OFF - Normal (5 kHz)	ON - Tyst (16 kHz)
	3	LOAD: Belastningsmomenttyp (U/f-kurva)	P&F - pump/fläkt	CT - Konstant moment
	4	JOG HZ: Konstant frekvens för joggningsfunktionen:	5 Hz	10 Hz
	5	RELAY: Reläutgångsfunktion	FLT - Fel	RUN - Motor i drift
	6	AI OFFSET: Minimivärde för analog ingång	OFF - 0 mA (0 V)	ON - 4 mA (2 V)
	7	AUTORESET: Funktion för automatisk felåterställning	OFF - Ingen automatisk felåterställning	ON - Automatisk felåterställning aktiverad
	8	HI FREQ: Högfrekvensläge	OFF - Standard	ON - Högfrekvensläge aktiverat

Ytterligare information

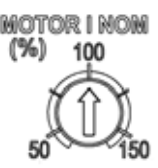

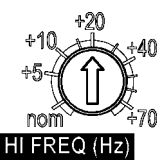
Nr.	Namn	Information
1	NOM FREQ Hz	Definierar motorns märkfrekvens (se motorns märskylt).
2	SILENT	Definierar frekvensomriktarens moduleringsfrekvens. Obs: Högre frekvens ger högre elektromagnetisk störningsnivå och kräver kortare motorkabellängd om EMC-direktivet skall uppfyllas. Se Tekniska data på sid 222 . Obs: Moduleringsfrekvensen anpassas till temperaturen i ACS55.
3	LOAD	Optimerar utspänning och frekvensgenskaper efter aktuell belastning. Välj P&F för kvadratisk ökande moment (t.ex. pumpar och fläktar), respektive CT för belastningar med konstant moment (t.ex. transportörer). ACS55 ökar automatiskt startspänningen med 10 % för att kompensera för motorförluster och för att öka startmomentet.
4	JOG Hz	Definierar joggingsfrekvensen. Aktivera joggingsfunktionen genom att ansluta 12...24 V DC till digital ingång 3 ("JOG"). (Frekvensomriktaren ökar eller minskar frekvensen för att nå joggingsfrekvensen och stannar på denna nivå så länge ingången är aktiv.)
5	RELAY	Val av vilket frekvensomriktartillstånd som skall indikeras av den normalt öppna kontakten hos reläutgången. FLT = Fel. Kontakten öppen under feltillstånd eller vid matningsavbrott. RUN = I drift. Kontakten sluten under normal drift.
6	AI OFFSET	Aktiverar övervakning av levande nolla för analog ingång. 4 mA (2 V) = ACS55 stoppas vid fel om värdet sjunker under denna nivå. Se Varvtalsreglering på sid 220 för information om skalning av analog ingång.
7	AUTO- RESET	Aktiverar funktionen för automatisk återställning för följande fel: Underspänning, överspänning, bortfall av analog ingång. ON = ACS55 gör automatiskt ett återstartförsök tre sekunder efter felutlösning. Max antal återställningsförsök är tio per period om tre minuter. Om detta värde överskrids stoppas ACS55 och inga ytterligare återställningsförsök görs. Se även Statusindikering och felsökning på sid 221 . Varning! Om startsignal föreligger startar motorn om efter återställning. Säkerställ att detta inte kan orsaka fara.
8	HI FREQ	Definierar maximal utfrekvens. OFF: Max. frekvens = värde som definieras av omkopplaren NOM FREQ HZ. ON: Max. frekvens = värde som definieras av omkopplaren NOM FREQ HZ. + värdet inställt med potentiometern HI FREQ. Se Styrpotentiometrar på sid 216 .



För ytterligare information, se *DriveConfig User's Guide* [3AFE68910897 (engelska)].

Styropotentiometrar

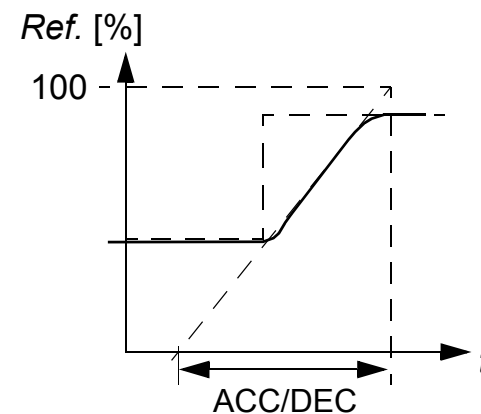
Programmeringspotentiometrarnas lägen kan justeras med en skruvmejsel. Som standard står alla potentiometrar i sina mittlägen.

 <p>MOTOR I NOM (%)</p>	MOTOR I NOM	<p>Beräkna MOTOR I NOM med ekvationen i denna ruta eller välj ett värde på MOTOR I NOM från tabellen nedan. ACS55 uppskattar motortemperaturen utgående från uppmätt utström och definierad motormärkström. Frekvensomriktaren löser ut om den uppskattade temperaturen tyder på motoröverhettning.</p> <p>Obs: Om motorkablarna är långa och därmed orsakar stora kapacitiva strömmar kan det vara nödvändigt att öka värdet på MOTOR I NOM.</p> $\text{MOTOR I NOM (\%)} = \frac{\text{Motormärkström [A]}}{\text{ACS55, märkström [A]}} \cdot 100 \%$
 <p>ACC DEC (s)</p>	ACC/DEC	<p>Definierar accelerations- och retardationstid från lägsta till högsta frekvens och vice versa, i sekunder. Ju större värde på ACC/RET desto långsammare följer ACS55 börvärdesändringar.</p>
 <p>HI FREQ (Hz)</p>	HI FREQ	<p>Begränsar utfrekvensen till ett önskat värde mellan märkfrekvensen och märkfrekvensen + 70 Hz. För att använda denna potentiometer, aktivera högfrekvensläget med DIP-omkopplaren HI FREQ. Se DIP-omkopplare på sid 214.</p>

Tabell för val av MOTOR I NOM

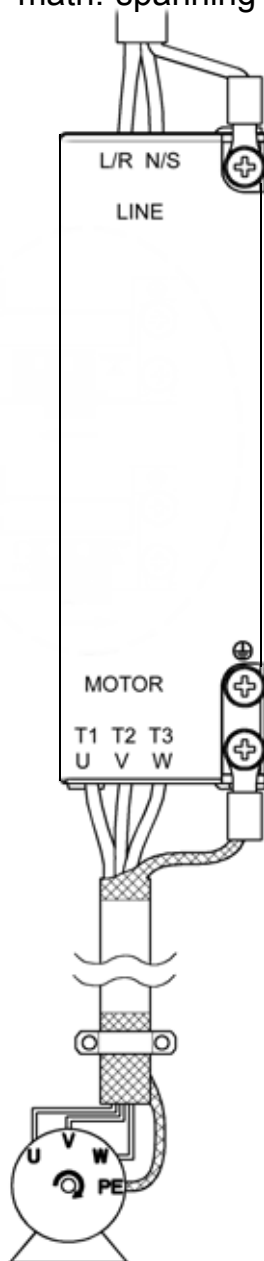
	Motormärkström (A)										
ACS55-01x-											
-01A4-x	0,7	0,8	1,0	1,2	1,4	1,6	1,8	2,0	2,1		
-02A2-x	1,1	1,3	1,5	1,8	2,0	2,2	2,4	2,6	2,8	3,0	3,3
-04A3-x	2,2	2,6	3,0	3,5	4,0	4,3	4,7	5,2	5,6	6,0	6,5
-07A6-x	3,8	4,6	5,3	6,1	6,8	7,6	8,4	9,3	10,2	11,4	
-09A8-x	4,9	5,9	6,9	7,8	8,8	9,8	10,8	12,0	13,3	14,7	
MOTOR I NOM	50	60	70	80	90	100	110	120	130	140	150%

ACC/DEC-tid




Anslutning av matnings- och motorkablar

1-fas
matn.-spänning



⚠ Varning! Före installation, kontrollera att matningsspänningen är bruten.

Obs: Säkerställ att matningsspänningen är korrekt! Anslutning av 230 V AC till en ACS55-enhet avsedd för 115 V AC kommer att skada frekvensomriktaren!

Plint	Beskrivning	Ledararea	Åtdragningsmoment
L/R, N/S	Anslutning av 1-fasmatning	Max. 2,5 mm ² (byggstorlekarna A och B) eller max 4 mm ² (byggstorlekarna C och D) fyrledarkabel	0,5 Nm
T1/U, T2/V, T3/W	Motorutgång		
PE 	Skyddsjord. Motorkabelskyddsledare och skärm.	Använd flertrådig kopparledare. Ledararean får inte understiga ledararean hos den matningskabel som har valts.	1 Nm

Varning! Om kylflänsen inte är korrekt jordad kan du utsättas för en elektrisk stöt om du vidrör kylflänsen.

Obs: Använd endast medföljande kombiskruvar M4x8. Max tillåtet inskravningsdjup för jordningsskruvar är **6 mm**.

Följ de lokala föreskrifterna för ledarareor. Använd kabel märkt för 60°C, eller 75°C om omgivningstemperaturen överstiger 30°C. Se även [Extra kabeldragnings- och EMC-instruktioner](#) på sid [219](#).

Läckströmmen till jord från ACS55 kan överstiga 3,5 mA AC / 10 mA DC. Enligt EN50178 får ACS55 endast användas i fasta installationer.

Ingångssäkring

Se [Tekniska data](#) på sid [222](#) för rekommenderade säkringstyper.

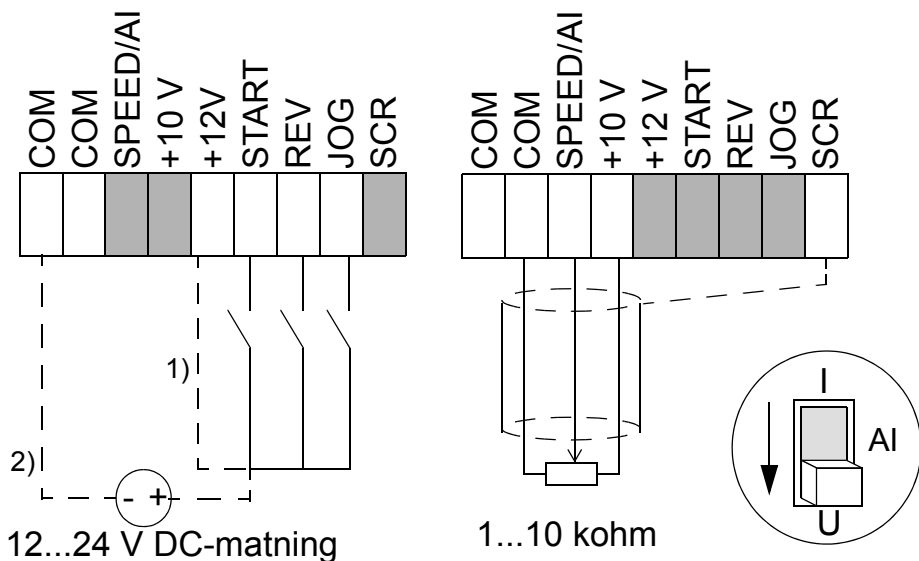
Motor

Motorn måste vara en 3-fas asynkronmotor med märkspänning U_N från 200 till 240 V och märkfrekvens f_N antingen 50 eller 60 Hz. Motorns märkström måste vara mindre än eller lika med frekvensomriktarens märkutström (I_2).

Om faserna är anslutna, U-U, V-V och W-W, och vald rotationsriktning är framåt kommer axeln att rotera medurs sett mot drivänden.

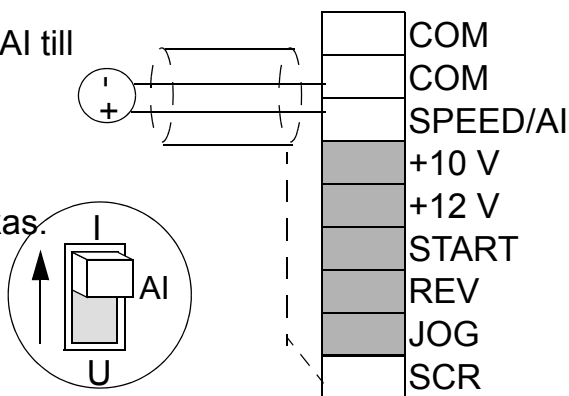
Anslutning av styrkablar

Intern (1) eller extern (2) matning kan användas för de digitala ingångarna. Analog manöverspänning är 0...10 V DC som grundvärde. Bygeln AI måste stå i läge spänning ("U").



Användning av 0/4...20 mA strömsignal: - Flytta bygeln AI till läge ström ("I").

- Sätt DIP-omkopplaren AI OFFSET i läge ON om 4...20 mA strömsignal önskas.



Styranslutningar

- Ledararea: Mångtrådig 0,25...1,5 mm² (AWG 23 till AWG 16)
- Åtdragningsmoment: 0,25 Nm.

#	Namn	Beskrivning
1	COM	Gemensam nolla, digitala eller analoga ingångar ¹⁾
2	COM	Gemensam nolla, digital eller analog ingång ¹⁾
3	AI	Analog ingång: Varvtalsbörvärde (frekvensbörvärde). 0/2...10 V DC (R _i =190 kohm), eller 0/4...20 mA (R _i =100 ohm). Upplösning 0,1 %, noggrannhet +/-1 %.
4	+10 V	Referensspänning för analog ingång. Noggrannhet +/-2 %. Max. 10 mA.
5	+12 V	Hjälpsspänning för digitala ingångar Max. 30 mA.
6	START	Digital ingång 1: Start (återställer frekvensomriktaren efter en felutlösning) ²⁾
7	REV	Digital ingång 2: Motsatt rotationsriktning ²⁾
8	JOG	Digital ingång 3: Aktivera joggningsvarvtal ²⁾
9	SCR	Jord för signalkablarnas skärmar. Internt ansluten till chassijord.
Reläutgång		
1	RO1	Vid fel: Relät öppnar. 12 V...250 V AC / 30 V DC 10 mA...2 A
2	RO2	

1) Internt ansluten till chassijord via ett motstånd på 1 Mohm.

2) Impedansen hos digital ingång är 1,5 kohm.

Extra kabeldragnings- och EMC-instruktioner

Följ dessa instruktioner för problemfri drift och för att säkerställa kompatibilitet med EGs EMC-direktiv.

Motorkabel

Motorkabeln måste vara en symmetrisk treledarkabel med koncentrisk skyddsjordledare, eller en fyrledarkabel med koncentrisk skärm. Flätad metallskärm rekommenderas, t.ex. typ MCCMK (NK Cables).

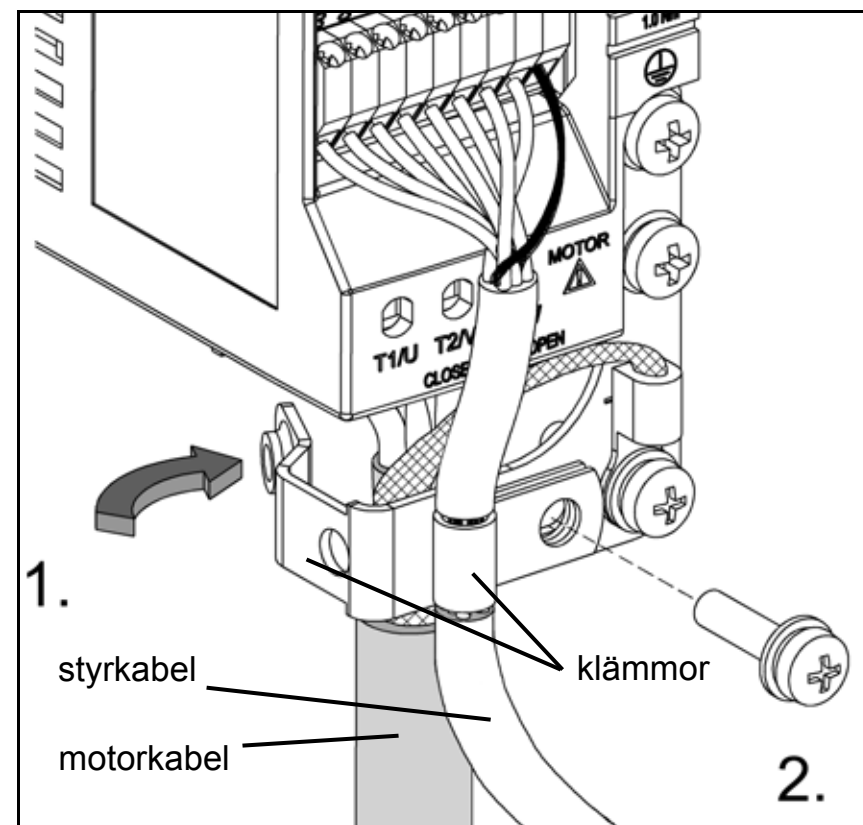
- Tvinna samman skärmtrådarna till en kort ledare och anslut den till jordskruven \perp . Håll denna ledare så kort som möjligt.
- Anslut kabelskärmen med hjälp av en klämma (se figur) när internt eller externt EMC-filter används.
- Vid motoränden måste kabeln ha 360 grader runtomgående jordning i form av en EMC-kabelgenomföring. Alternativt kan kabelskärmen tvinnas till en ledare vars längd inte överstiger fem gånger dess bredd och anslutas till PE-plinten på motorn.

Styrkablarna

Styrkablarna måste vara flertrådiga ledare med flätad koppartrådska. En dubbelskärmad kabel med tvinnade parledare rekommenderas för analoga signaler.

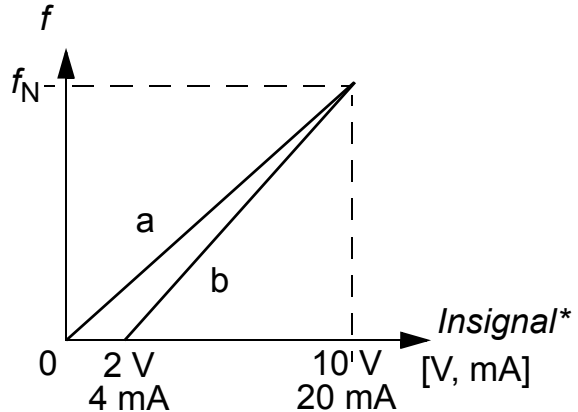
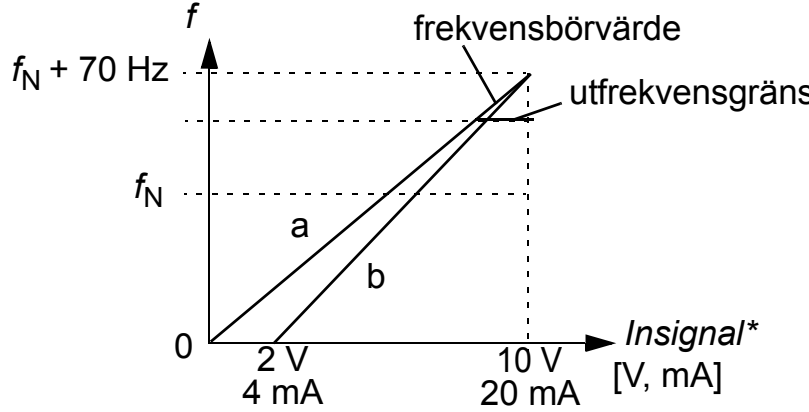
- Tvinna samman skärmtrådarna till en kort ledare och anslut den till plinten SCR. Håll denna ledare så kort som möjligt.
- Anslut kabelskärmen med hjälp av en klämma (se figur) (endast EMC-enheter).
- Förlägg motorkabeln på avstånd från styr- och matningskablarna för att undvika elektromagnetiska störningar (avstånd > 20 cm).

Obs: Blanda aldrig 24 V DC- och 115/230 V AC-signaler i samma kabel.



Varvtalsreglering

Den analoga ingången ger varvtalsbörvärdet (frekvensbörvärdet) för ACS55. Förhållandet mellan analog ingång och börvärde beror på inställningarna av DIP-omkopplarna, så som visas nedan. Utfrekvensen följer ändringarna i börvärde, så som definieras av potentiometern ACC/RET.

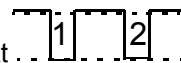
Högfrekvensläge OFF (grundinställning)	Högfrekvensläge ON
 <p>DIP-omkopplarlägen: HI FREQ = OFF AI OFFSET = OFF (kurva a) eller ON** (kurva b) MOTOR NOM FREQ = 50 eller 60 Hz</p> <p>Utfrekvensen begränsas till vald märkfrekvens för motorn.</p>	 <p>DIP-omkopplarlägen: HI FREQ = ON AI OFFSET = OFF (kurva a) eller ON** (kurva b) MOTOR NOM FREQ = 50 eller 60 Hz</p> <p>Faktisk utfrekvens begränsas till ett värde mellan f_N och $f_N + 70$ Hz av potentiometern HI FREQ. Potentiometern påverkar inte skalningen av den analoga ingången.</p>
<p>* Använd bygeln AI för att välja spännings- eller strömsignal. Se sid 218.</p> <p>** För att skydda frekvensomriktaren vid bortfall av analog insignal löser enheten ut om signalen understiger 2 V (4 mA).</p>	

Statusindikering och felsökning

ACS55 har två statusindikeringslysdioder. Dessa är synliga genom frontkåpan.

Om frekvensomriktaren upptäcker ett problem blinkar den röda lysdioden. När problemet är åtgärdat, återställ genom att sätta startsignalen till OFF. Om startsignalen redan är i läge OFF, växla ON/OFF på nytt.

Se tabellen nedan för felkoder (ant. blinkningar).

Grön LED	Röd LED	Beskrivning
Tänd	Släckt	ACS55 fungerar normalt.
Tänd	Blinkande Tänd  Släckt	Skyddsfunktion aktiverad. Antalet blinkningar anger felkod.
Blinkande	Blinkande	ACS55 återställs automatiskt inom 3 sekunder. (* Varning! Motorn startar, om startsignal föreligger.)

#	Möjliga orsaker och åtgärder	#	Möjliga orsaker och åtgärder
1	DC-överspänning (*). 1) Nätspänning för hög: Kontrollera matningen. 2) Retardationsramptiden är för kort för tröghetsmomentet: Öka ACC/DEC-tiden med potentiometern.	7	Motor, överbel. (I^2t -överbel.): 1) Kontrollera belastningen och kontrollera att motorns storlek är lämplig för ACS55. 2) Kontrollera att potentiometern MOTOR I NOM är korrekt inställd.
2	DC-underspänning (*). Nätspänningen är för låg: Kontrollera matningen.	8	Överbelastning av växelriktare eller för hög intern temperatur: 1) Lasten är för stor eller 2) kylningen av omriktaren är otillräcklig.
3	Kortslutning i motorkretsen: Bryt matningen och kontrollera motorlindningar och motorkabel.	9	Andra fel. Internt fel. Bryt matningen och slut den igen. Om problemet kvarstår, byt enheten.
4	Överström, utgång. 1) Accelerationstiden är för kort för tröghetsmomentet: Öka ACC/DEC-tiden med potentiometern. 2) Motor- och omriktarstorlek är inte kompatibla: Kontrollera motorn.	10	Parametersättningsfel. Obs: Båda lysdioderna blinkar. DIP-omkopplare har ställts om efter att frekvensomriktaren har parametersatts med verktyget DriveConfig. Ställ tillbaka DIP-omkopplarna till sina grundlägen.
5	Reserverad	11	Frekvensomriktaren matas från batteri. Omriktarstatus indikerar fel därför att det inte går att starta omriktaren. För frekvensomriktardrift måste enheten anslutas till matningsnätet. Emellertid, när frekvensomriktaren matas från DriveConfig-paketet är kontakten mellan DriveConfig och omriktaren OK.
6	Den analoga insignalens värde understiger 4 mA/2 V. (*) Obs: Denna övervakning är aktiv om AI OFFSET är ON.	12	Frekvensomriktaren styrs av DriveConfig (eller annat tillämpningsprogram via seriell kommunikation) och kommunikationen har brutits. Kontrollera kommunikationen.

(*) Automatisk återställning om AUTORESET är ON. Se [DIP-omkopplare](#) på sid [214](#).

Tekniska data

		230 V					115 V	
Inbyggd EMC, ACS55-01E-		01A4-2	02A2-2	04A3-2	07A6-2	09A8-2	01A4-1	02A2-1
Ingen EMC, ACS55-01N-		01A4-2	02A2-2	04A3-2	07A6-2	09A8-2	01A4-1	02A2-1
Kontinuerlig uteffekt från motor	kW	0,18	0,37	0,75	1,5	2,2	0,18	0,37
	hk	1/4	1/2	1	2	3	1/4	1/2
Byggstorlek (ej EMC)		A	A	B	C	C	A	A
Byggstorlek (EMC)		A	A	B	D	D	A	A
Märkdata								
Inspänning U_1	V	200...240 (+10/-15 %)					110...120 (+10/-15 %)	
Kontinuerlig utström I_2	A	1,4	2,2	4,3	7,6	9,8	1,4	2,2
Max utström I_{2max}^*	A	2,1	3,3	6,5	11,4	14,7	2,1	3,3
Utspänning U_2	V	0... U_1 , 3-fas					0... $2 \times U_1$, 3-fas	
Inström I_1	A	4,4	6,9	10,8	18,2	22,0	6,4	9,5
Moduleringsfrekvens	KHz	5 (max 16)						
Skyddsgränser								
Överström (toppvärde)	A	4,4	6,9	13,5	23,9	30,9	4,4	6,9
Övertemperatur		95°C (kylelement)						
Max ledarearea								
Kraftanslutningar	mm ²	2,5 (AWG 14)			4 (AWG 12)		2,5 (AWG 14)	
Styranslutningar	mm ²	1,5 (AWG 16)						
Förlusteffekt	W	21	32	51	74	103	24	35
Matningssäkring, storlek**								
IEC, typ IEC269 gG	A	10	16	16	25	32	10	16
UL, typerna CC och T	A	10	15	20	25	30	10	15
Vikt, inbyggd EMC, ACS55-01E-	kg (lb)	0,65 (1,4)	0,7 (1,5)	0,9 (2)	1,6 (3,5)	1,7 (3,7)	0,65 (1,4)	0,7 (1,5)
Vikt, ingen EMC, ACS55-01N-	kg (lb)	0,65 (1,4)	0,7 (1,5)	0,9 (2)	1,2 (2,6)	1,3 (2,9)	0,65 (1,4)	0,7 (1,5)

* Tillåts under 1 minut.

** Rekommenderade värden. Använd inte ultrasnabba säkringar eller säkringar med utlösningsfördröjning. Följ lokala föreskrifter.

Max motorkabellängd

För att uppfylla EGs EMC-direktiv måste motorkabellängden begränsas enligt specifikationen i tabellen nedan. Ju kortare motorkabel desto mindre störningsemission till matande nät och omgivning.

Omriktartyp ACS55-01x-	Moduleringsfrekvens	
	5 kHz	16 kHz ⁽¹⁾
Inbyggt EMC-filter		
<i>EN61800-3, Miljöklass 1, obegränsad distribution ²⁾</i>		
01A4-2, ..., 04A3-2	10 m	3 m
01A4-1, 02A2-1	10 m	3 m
07A6-2, 09A8-2	10 m	3 m
<i>EN61800-3, Miljöklass 1, begränsad distribution ³⁾</i>		
01A4-2, ..., 04A3-2	10 m	10 m
01A4-1, 02A2-1	10 m	10 m
07A6-2, 09A8-2	20 m	10 m
<i>EN61800-3, Miljöklass ³⁾</i>		
01A4-2, ..., 04A3-2	10 m	10 m
01A4-1, 02A2-1	10 m	10 m
07A6-2, 09A8-2	30 m	10 m

1) Moduleringsfrekvensen kan väljas med DIP-omkopplare.
Se sid [215](#).

2) Gäller endast för emission genom ledning

3) Gäller emission genom ledning och strålning.

Skydd

Överspänning, underspänning, kortslutning i motorkretsen, överström, bortfall av analog ingång, motoröverbelastning, överbelastning av växelriktare.

Icke direktjordade distributionsnät

Frekvensomriktare med inbyggt EMC-filter får inte användas i ett icke direktjordat nät eller i ett högimpedivt jordat nät för anläggningsdistribution.

Miljöinformation

Produkter som skall skrotas/deponeras innehåller värdefulla råmaterial som bör återanvändas för att spara energi och naturtillgångar. Instruktioner för materialåtervinning kan rekvireras från ABBs försäljnings- och servicebolag.

Ansvarsbegränsning

Tillverkaren är inte ansvarig för:

- Haverikostnader i fall då installation, idrifttagning, reparation, ändring eller miljöförhållanden för frekvensomriktare inte motsvarar de krav som specificeras i dokumentationen som medföljer enheten, samt i annan relevant dokumentation.
- Enheter som skadats genom felaktig användning, bristande underhåll eller olyckshändelser.
- Enheter som innehåller material som tillhandahållits av köparen eller som konstruerats enligt köparens specifikationer.

Företagets leverantörer och underentreprenörer kan under inga omständigheter göras ansvariga för speciella, indirekta eller oförutsedda skador eller för följskador, förluster eller viten.

För eventuella frågor med avseende på frekvensomriktare från ABB hänvisar vi till lokal återförsäljare eller ABB-representant. Angivna tekniska data, specifikationer och övrig information är de som gäller vid tidpunkten för tryckning. Tillverkaren förbehåller sig rätten till ändringar utan föregående meddelande.

Godkännanden

CE

ACS55 uppfyller följande EU-direktiv:

- Lågspänningsdirektivet 73/23/EEG med tillägg
- EMC-direktivet 89/336/EEG med tillägg.

Försäkran om överensstämmelse och en lista på uppfyllda standarder kan erhållas på begäran.

Elektromagnetisk kompatibilitet:

ACS55 uppfyller följande standarder förutsatt att installationen är utförd korrekt och enligt instruktionerna i detta dokument:

Högfrekvent emission genom ledning	EN61800-3 Miljöklass 1, obegränsad / begränsad distribution ¹⁾
Högfrekvent emission genom strålning	EN61800-3 Miljöklass 1, begränsad distribution
Immunitet	EN61800-3 Miljöklass 2
Nätövertoner	IEC61000-3-2

1) Observera max tillåten motorkabellängd och moduleringsfrekvens, sid [223](#). Se även kabelförläggninginstruktionerna på sid [219](#).

Strömövertonerna kan reduceras med hjälp av externa ingångsreaktorer.

UL-, cUL- och C-Tick-märkning

Se märkskylten.

UL, cUL:

ACS55 lämpar sig för användning i kretsar med matningskapacitet upp till 65 kA rms symmetriskt, max 230 V, förutsatt skydd med säkringar av klass CC eller T.

C-Tick:

För elektromagnetisk kompatibilitet, se specifikation i avsnittet [CE](#) ovan.

Överensstämmelse med EGs Maskindirektiv

Frekvensomriktaren uppfyller kraven i EGs Maskindirektiv med avseende på utrustning avsedd att installeras i maskiner. Inbyggnadsdeklaration kan begäras från ABB.

Produktskydd i USA

Denna produkt skyddas av ett eller flera av följande USA-patent

4,920,306	5,301,085	5,463,302	5,521,483	5,532,568	5,589,754	5,612,604
5,654,624	5,799,805	5,940,286	5,942,874	5,952,613	6,094,364	6,147,887
6,175,256	6,184,740	6,195,274	6,229,356	6,252,436	6,265,724	6,305,464
6,313,599	6,316,896	6,335,607	6,370,049	6,396,236	6,448,735	6,498,452
6,552,510	6,597,148	6,600,290	6,741,059	6,774,758	6,844,794	6,856,502
6,859,374	6,922,883	6,940,253	6,934,169	6,956,352	6,958,923	6,967,453
6,972,976	6,977,449	6,984,958	6,985,371	6,992,908	6,999,329	7,023,160
7,034,510	7,036,223	7,045,987	7,057,908	7,059,390	7,067,997	7,082,374
7,084,604	7,098,623	7,102,325	7,109,780	7,164,562	7,176,779	7,190,599
7,215,099	7,221,152	7,227,325	7,245,197	7,250,739	7,262,577	7,271,505
7,274,573	7,279,802	7,280,938	7,330,095	7,349,814	7,352,220	7,365,622
7,372,696	7,388,765	7,408,791	7,417,408	7,446,268	7,456,615	7,508,688
7,515,447	7,560,894	D503,931	D510,319	D510,320	D511,137	D511,150
D512,026	D512,696	D521,466	D541,743S	D541,744S	D541,745S	
D548,182S	D548,183S	D573,090S				

Ytterligare patent har sökts.

Tillbehör

Ingångsreaktorer: CHK-A1, CHK-B1, CHK-C1, CHK-D1

Utgångsreaktor: ACS-CHK-B3, ACS-CHK-C3

Potentiometerenhet: ACS55-POT

DriveConfig-sats, kontakta ABB för ytterligare information. Se *DriveConfig User's Guide* [3AFE68910897 (engelska)].

用户手册

ACS55

交流传动

0.18 至 2.2 kW



中文

CN



产品和服务咨询

产品如有问题请联系当地 ABB 代表，问题中请提供产品型号和产品系列号。联系 ABB 销售、技术支持和服务列表请进入 www.abb.com/motors&drives 网站，并选择右面方框里的 *Drives – Sales, Support and Service network*。

产品培训

关于 ABB 产品培训的更多详细信息，进入 www.abb.com/motors&drives 网站并选择右面方框里的 *Drives – Training courses*。

请对 ABB 传动手册提供反馈意见

欢迎您对我们的用户手册进行评论。进入 www.abb.com/motors&drives 网站，然后选择右面方框里的 *Drives – Document Library – Manuals feedback form (LV AC drives)*。

3ABD00024609 版本 C 中文

Based on: 3AFE68929300 版本 C 英文

生效日期 : 2010-06-01

北京 **ABB** 电气传动系统有限公司

中国，北京，100015

北京市朝阳区酒仙桥北路甲 10 号 D 区 1 号

电话: (+86 10)58217788

传真: (+86 10)58217618

服务热线: (+86) 400 810 8885

网址: <http://www.abb.com/motors&drives>

© 2010 ABB Oy. All Rights reserved.

安全指南

进行安装和操作前必须仔细阅读下面的安全指南。

警告！设备带有危险电压！

只有有资格的电工才能从事 ACS55 的安装工作。

在主电源未断开时，禁止任何作业。断开主电源后，至少要等待 5 分钟，使内部电容放电完毕后，才能进行作业。

警告！如果散热片没有正确接地，当触及散热片时会发生触电。

注意：DIP 开关的触点带有危险电压。

注意：尽管电机停止了运转，端子 L/R、N/S、T1/U、T2/V 和 T3/W 上仍带有危险电压。

注意：尽管变频器已经断电，继电器输出的端子上可能仍然带电。

警告！表面高温！

设备运行中，散热片部位的温度可能高达 (>80°C)。确保遵循安装指导。

一般的安全指导

当停电恢复后，如果外部的运转命令保持 ON 的状态，ACS55 会自动启动电机。

不要试图修理损坏的变频器。ACS55 无法在现场维修，出现问题时只能更换新模块。

ACS55 应安装在有防护的空间内，比如配电柜中。

两次上电的最短时间间隔为 3 分钟。

改变 DIP 开关的位置（在面板上）可能会改变 ACS55 的功能和运行状态。因此改变前要确认不会对人员和设备造成危害。

关于本手册

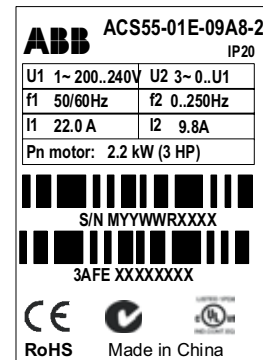
本手册介绍安装和调试 ACS55 必要的信息。

检查发货内容

发货包装中包括：

1. ACS55 模块一台
2. 用户指南一份
3. 两个用于固定控制线的电缆夹（仅限 EMC 内置单元）。

检查设备铭牌，确认发货是否和订货一致。



ACS55-01 - -

EMC 滤波器：E = 内置，N = 无

最大连续输出电流 (I_2):

01A4 = 1.4 A, 02A2 = 2.2 A, 04A3 = 4.3 A,

07A6 = 7.6 A, 09A8 = 9.8 A

输入电压 (U_1):

1 = 110...120 VAC +10%/-15%

2 = 200...240 VAC +10%/-15%

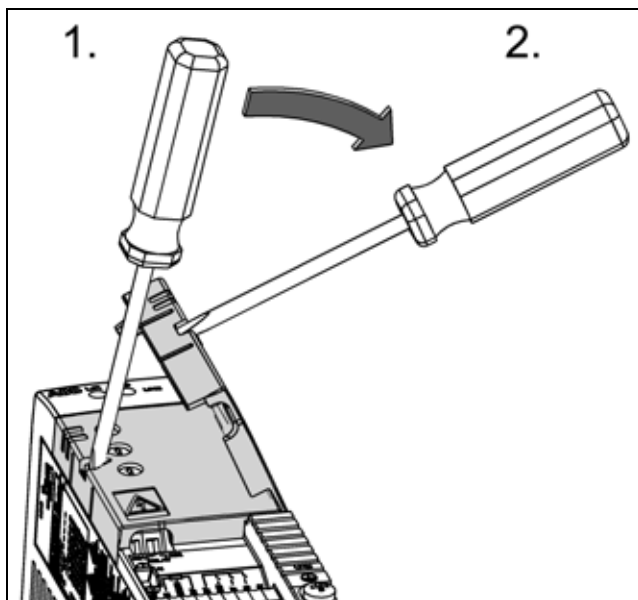
产品序列号 (S/N) 印在铭牌上。(M= 产地，Y = 制造年，WW = 制造周，R= 产品版本号 (A,B,C...), XXXX= 制造周从 0001 开始)

ACS55 控制 3 相交流感应电机的转速。

输入端, 第 237 页

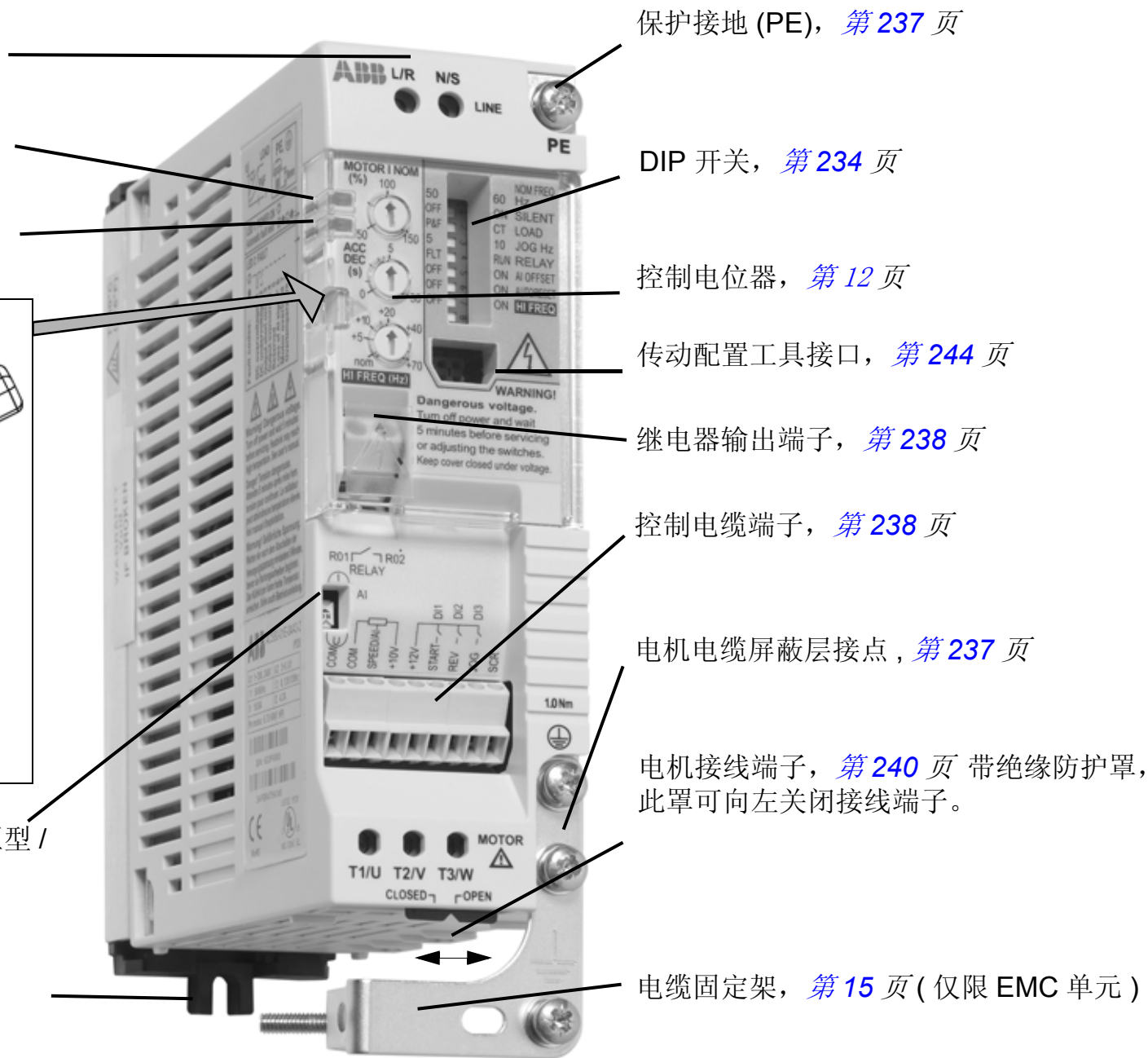
上电指示, 第 241 页

故障指示, 第 241 页



模拟输入信号选择器 (电压型 / 电流型), 第 238 页

安装板, 第 232 - 233 页



安装和启动步骤

操作前仔细阅读第 227 页的 [安全指导](#)。

	步骤	页
1	检查发货内容。	227
2	确认安装环境符合 ACS55 的要求。	230
3	安装 ACS55 变频器。	232 - 233
4	检查标准设置是否符合现场要求：电机额定频率 50 Hz；负载为泵或风机；最大输出频率 50 Hz。如果标准设置不符合要求，通过 DIP 开关重新设置。	234
5	确认电机额定电流（MOTOR I NOM）电位器的设定是否和电机额定电流匹配。它关系到电机的热保护功能。	236
6	如果需要，调整加 / 减速时间电位器。	236
7	连接输入电缆和电机电缆。	237
8	连接控制电缆。	238
9	上电，绿色 LED 指示灯亮。 注意： 如果起动命令有效，电机将会旋转。	
10	设置速度给定，给出起动命令。电机会加速至给定转速。	240

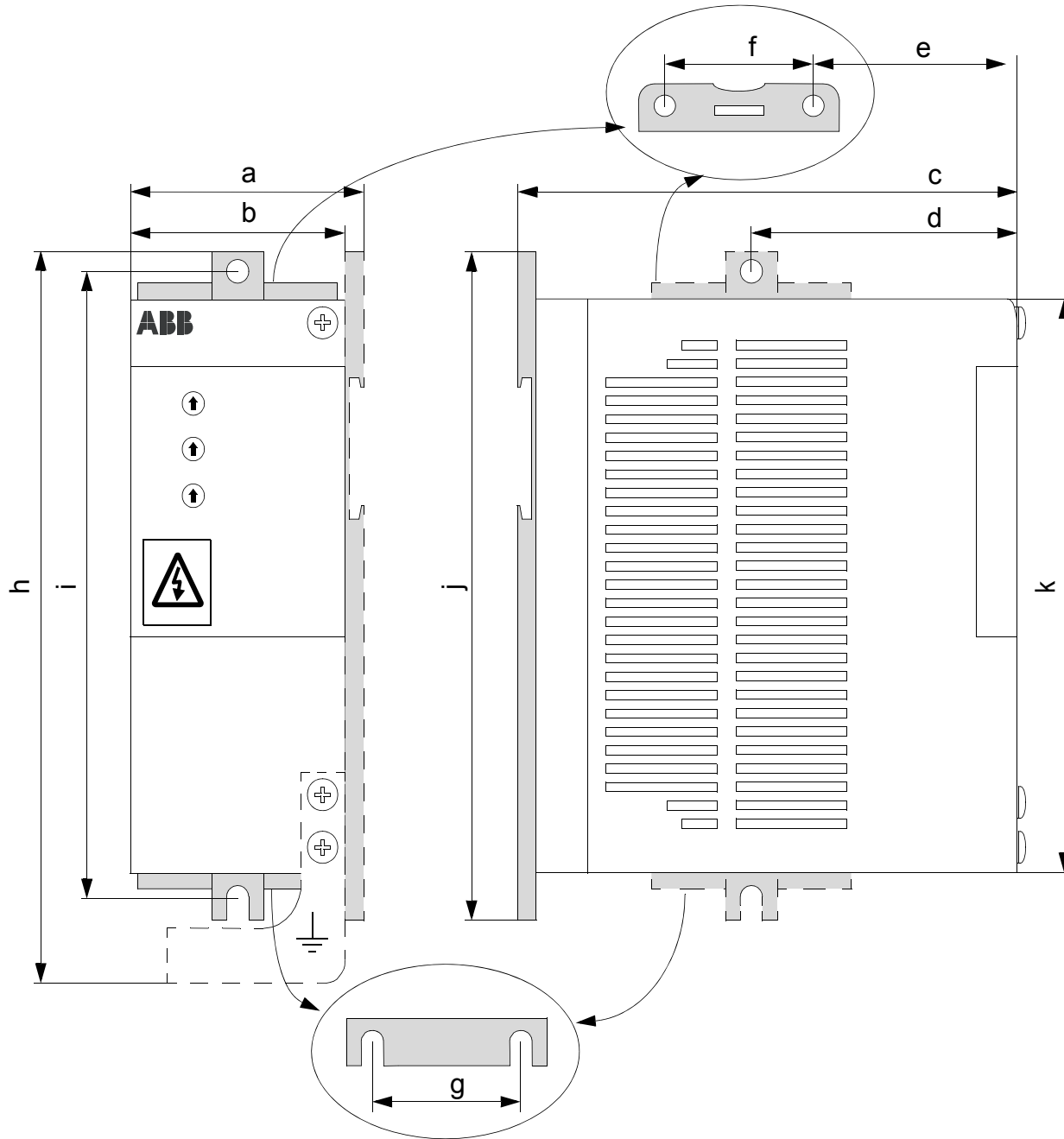
检测系统绝缘

不要对变频器的任何部件做耐压或者绝缘测试，否则将损坏变频器。每台变频器在出厂前已进行了主电路和外壳的绝缘测试。此外，在变频器内部包含电压限制电路，能够自动的切断电压测试。

环境要求

	安装地点	于包装箱内储藏和运输	
环境温度	-20°C (-4°F), 无凝露 ¹⁾ 。 +40°C (104°F), 额定电流。 +50°C (122°F), 最大连续电流为 85% 的额定电流 I_2 。 +55°C (131°F), 最大连续电流为 75% 的额定电流 I_2 。	-40°C (-40°F) 至 +70°C (158°F)	
海拔高度	0...2000 m (0...6,600 ft)。在海拔 1000...2000 米 (3,300...6,600 ft) 时, 每增加 100 米则 P_N 和 I_2 降容 1%。	无限制	
相对湿度	小于 95%, 无凝露。	小于 95%, 无凝露。	
污染等级 (IEC 60721-3-3)	<ul style="list-style-type: none"> • 无导电灰尘 • 空气清洁, 无腐蚀性和导电性颗粒 • 化学气体等级: 3C2 • 固体颗粒等级: 3S2 	储存	运输
		<ul style="list-style-type: none"> • 无导电灰尘 • 化学气体等级: 1C2 • 固体颗粒等级: 1S2 	<ul style="list-style-type: none"> • 无导电灰尘 • 化学气体等级: 2C2 • 固体颗粒等级: 2S2
正弦震动 (IEC 60068-2-6)	频率范围 5...150 Hz 恒值加速 1 g	符合 ISTA 1A 要求	
冲击 (IEC 60068-2-29)	不允许	最大 100 米/秒 ² (330 ft/s ²), 11 毫秒	
自由落体	不允许	不允许	

1) 在低于 0 摄氏度的环境中运行时, 请始终保持输入电源供电。必须将 ACS55 模块安装在有防护的柜体中。确保发热面的空气流通。ACS55 的外壳防护等级为 IP20。



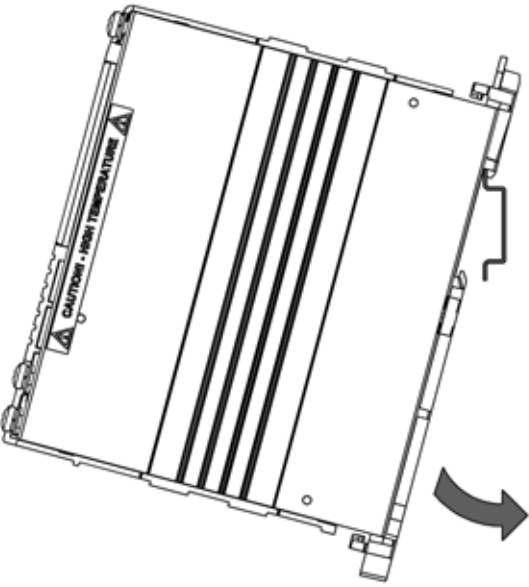
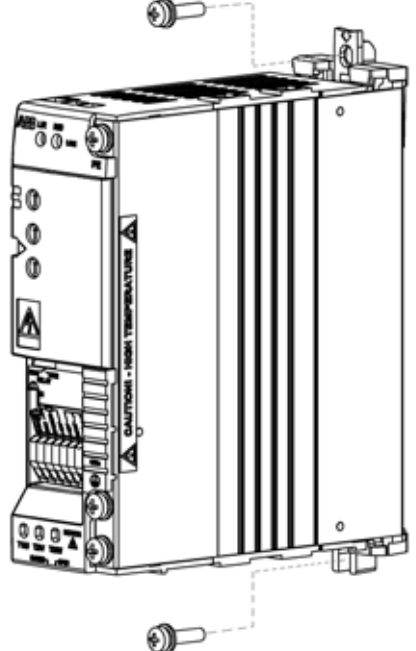
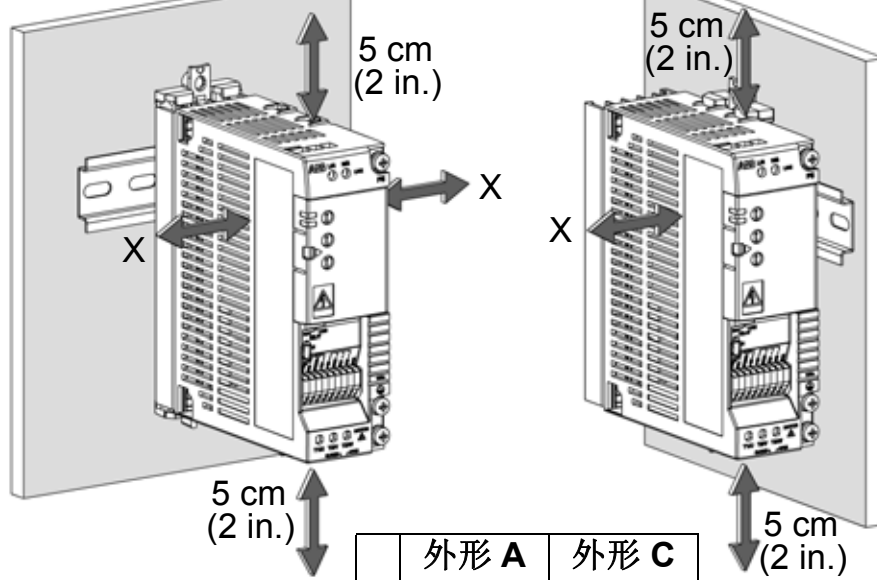
	外形 A mm (in.)	外形 B mm (in.)	外形 C mm (in.)	外形 D mm (in.)
a	53 (2.09)	72 (2.83)	74 (2.91)	74 (2.91)
b	45 (1.77)	67.5 (2.66)	70 (2.76)	70 (2.76)
c	128 (5.04)	128 (5.04)	159 (6.26)	159 (6.26)
d	67.5 (2.66)	67.5 (2.66)	-	-
e	-	-	77 (3.03)	77 (3.03)
f	-	-	40 (1.57)	40 (1.57)
g	-	-	40 (1.57)	40 (1.57)
h	183 (7.20)	183 (7.20)	-	230 (9.06)
i	156 (6.14)	156 (6.14)	182 (7.17)	214 (8.43)
j	170 (6.69)	170 (6.69)	194 (7.64)	226 (8.90)
k	146.5 (5.77)	146.5 (5.77)	171 (6.73)	203 (7.99)

警告！变频器工作时温度很高。确保安装地点环境的通风。

- 保证 ACS55 垂直安装。

- 对外形尺寸 A 和 B 的模块，在周围留有足够的空间。对外形尺寸 C 和 D 的模块，由于装有冷却风机，所以可以并排安装，不需要在侧面保留空间。

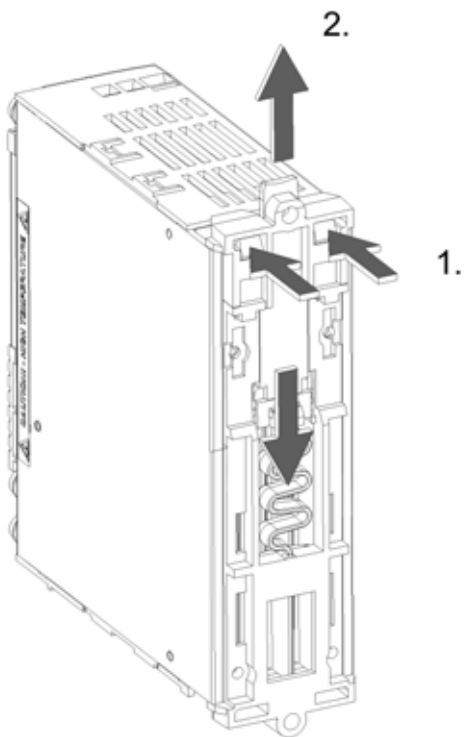
用安装板将模块安装在 35 mm DIN 导轨上或安装在墙上。

<p>安装在 DIN 导轨上 安装板顶部有弹簧销，可将 ACS55 模块固定在导轨上。</p>	<p>安装在墙上 使用 M4 螺钉通过安装板将模块固定在墙上。</p>	<p>周围的空间 在周围留有足够的散热空间。</p>						
		 <table border="1" data-bbox="1590 1220 1937 1396"> <thead> <tr> <th></th> <th>外形 A 和 B cm (in.)</th> <th>外形 C 和 D cm (in.)</th> </tr> </thead> <tbody> <tr> <td>X</td> <td>1.5 (0.6)</td> <td>0 (0)</td> </tr> </tbody> </table>		外形 A 和 B cm (in.)	外形 C 和 D cm (in.)	X	1.5 (0.6)	0 (0)
	外形 A 和 B cm (in.)	外形 C 和 D cm (in.)						
X	1.5 (0.6)	0 (0)						

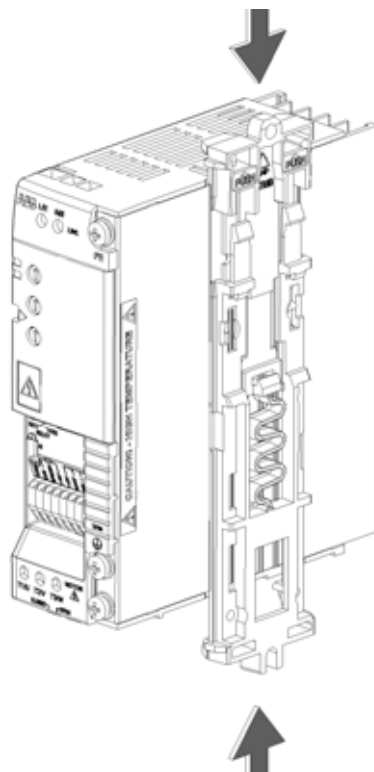
安装和拆卸安装板

既可以将模块宽的一面靠墙安装，也可以将窄的一面靠墙安装。只需把安装板卡装在不同的面上即可。见下图外形 A 和 B 的指导说明。拆卸外形 C 和 D 的安装板时向下推，安装安装板时向上推。

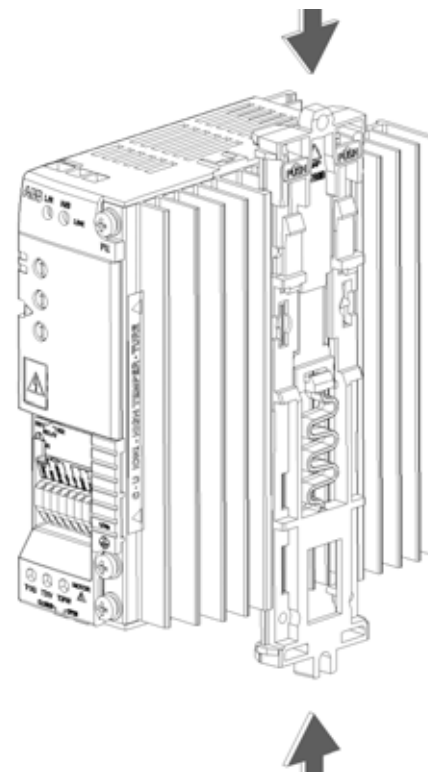
拆下安装板，外形 A 和 B: 按下两个塑料的按钮，将安装板上下两部分分离。



将安装板卡在 A 型模块上: 按下图所示，将安装板上下两部分对在一起，听到咔嚓声说明已经卡在模块上了。



将安装板卡在 B 型模块上: 按下图所示，将安装板上下两部分插到散热片中间，对在一起，听到咔嚓声说明已经卡在模块上了。



DIP 开关

设置 DIP 开关的位置调整 ACS55，使之适应电机和负载。


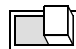
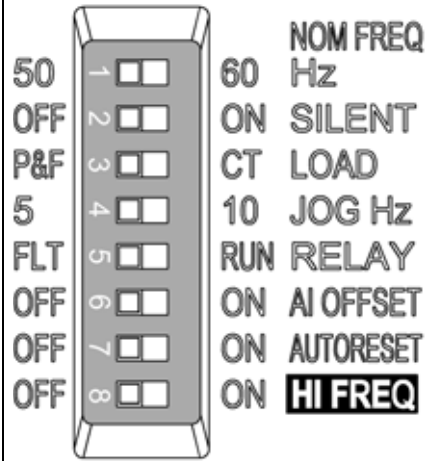


警告！ DIP 开关带有危险电压 (200 V)。切断主电源后等待 5 分钟，再进行操作。ACS55 带电时要将保护罩关闭。

设置

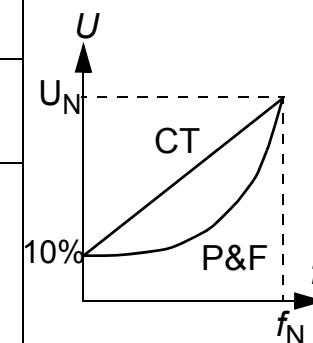
- 打开保护罩设置 DIP 开关位置。
- 最好用螺丝刀来操作。所有 DIP 开关的默认位置都是在左侧。
- 关闭保护罩。

基本信息

DIP 开关	#	名称和功能	默认设置 	可选的设置 
	1	NOM FREQ HZ: 电机额定频率	50 Hz	60 Hz
	2	SILENT: 电机噪音等级 (PWM 开关频率)	OFF - 标准 (5 kHz)	ON - 静音 (16 kHz)
	3	LOAD: 负载转矩类型 (U/f 曲线)	P&F - 泵 / 风机	CT - 恒定转矩
	4	JOG HZ: 点动功能的频率	5 Hz	10 Hz
	5	RELAY: 继电器输出功能	FLT - 故障	RUN - 电机运转
	6	AI OFFSET: 模拟输入的最小值	OFF - 0 mA (0 V)	ON - 4 mA (2 V)
	7	AUTORESET: 故障自动复位功能	OFF - 禁止	ON - 启动
	8	HI FREQ: 高频模式	OFF - 禁止	ON - 启动

补充信息

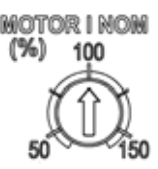

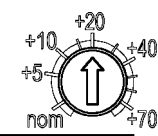
#	名称	信息
1	NOM FREQ Hz	定义电机额定频率 (见电机铭牌)。
2	SILENT	定义开关频率。 注意 ：按照欧洲 EMC 标准，频率越高电磁噪音越大，电机电缆允许的长度越短。参见第 242 页的 技术数据 。 注意 ：开关频率和 ACS55 运行时的温度有关。
3	LOAD	根据不同的负载调节输出的压频比。平方转矩负载 (风机和泵) 时选择 P&F，恒转矩负载 (传送带) 时选择 CT。ACS55 自动进行起动 IR 补偿以保证电机的起动转矩。
4	JOG Hz	定义点动频率。通过将 12...24 VDC 连接到数字输入 3 ("JOG")，激活点动功能。(传动加速或减速到点动频率，并保持点动频率，直到断开数字输入 3。)
5	RELAY	定义常开触点指示的状态。FLT = 故障。当故障状态或断电状态，触点为开。RUN = 运行。当电机运转时，触点为闭。
6	AI OFFSET	定义模拟输入监控。4 mA (2 V) = 当模拟输入小于此监控值时，ACS55 故障停转。关于模拟输入的换算参见 240 页的 速度控制 。
7	AUTO-RESET	激活故障自动复位功能后，ACS55 将在发生以下故障：欠压，过压，模拟输入丢失，3 秒种后自动尝试重新启动。最多在 3 分钟内重起 10 次。如果超过 10 次，ACS55 将停机并禁止再次复位。参见 241 页的 状态显示和故障跟踪 。 警告 ！激活自动复位功能时要确保电机的自动起动不会造成危险。
8	HI FREQ	定义最大输出频率。OFF：最大频率为 =NOM FREQ HZ 开关定义的频率。ON：最大频率为 =NOM FREQ HZ 开关 +HI FREQ 电位器设定的频率。参见第 236 页的 控制电位器 。



更多信息，请参照变频器配置用户向导 [3AFE68910897 (英文)]。

控制电位器

可以用螺丝刀调节电位器。所有电位器的默认值是中间位置。

 <p>MOTOR I NOM (%) 100 50 150</p>	<p>电机额定电流 (MOTOR I NOM)</p>	<p>通过下面的等式或下面的图表计算电机额定电流 (MOTOR I NOM) 的值。ACS55 通过测量输出电流和定义的电机额定电流来计算电机的温度。如果过温会跳闸。 注意：如果电机电缆过长，导致漏电流过大，应适当增大电机额定电流的设定。</p> $\text{电机额定电流 (\%)} = \frac{\text{电机额定电流 [A]}}{\text{ACS55 额定电流 [A]}} \cdot 100\%$
 <p>ACC DEC (s) 5 0 30</p>	<p>加速 / 减速 (ACC/ DEC)</p>	<p>定义从最小速度加速至最大速度的时间和反之的减速时间，单位：秒。加 / 减速时间越长，ACS55 相应的跟随给定速度越慢。</p>
 <p>+10 +20 +40 +5 nom +70 HI FREQ (Hz)</p>	<p>高频 (HI FREQ)</p>	<p>限定输出频率为额定频率至额定频率 + 70 Hz 之间的值。只有将高频模式开关 HI FREQ DIP 设为 on，此值才有效。参见 234 页的 DIP 设定开关。</p>

MOTOR I NOM 选择图表

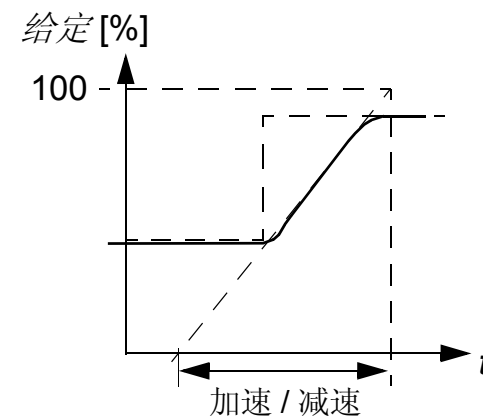
电机额定电流 (A)

ACS55-01x-

-01A4-x	0,7	0,8	1,0	1,2	1,4	1,6	1,8	2,0	2,1		
-02A2-x	1,1	1,3	1,5	1,8	2,0	2,2	2,4	2,6	2,8	3,0	3,3
-04A3-x	2,2	2,6	3,0	3,5	4,0	4,3	4,7	5,2	5,6	6,0	6,5
-07A6-x	3,8	4,6	5,3	6,1	6,8	7,6	8,4	9,3	10,2	11,4	
-09A8-x	4,9	5,9	6,9	7,8	8,8	9,8	10,8	12,0	13,3	14,7	

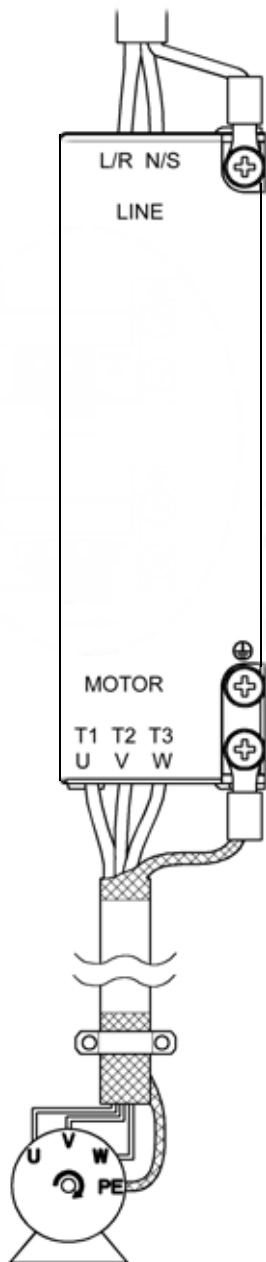
MOTOR I NOM 50 60 70 80 90 100 110 120 130 140 150%

加速 / 减速 时间




连接电源和电机

单相
输入电压



⚠ 警告！ 安装前一定要确认切断主电源。

注意： 确认电源连接正确。如果将 230V 电源接到 115V 电压等级的模块上，会烧毁模块。

端子	描述	线径	紧固力矩
L/R, N/S	1~ 电源输入	最大 2.5 mm ² (外形 A 和 B) 或最大 4 mm ² (外形 C 和 D) 单芯导线	0.5 Nm / 0.6 Nm
T1/U, T2/V, T3/W	输出到电机		
PE 	保护地 一般连接电机电缆的屏蔽层 和铠装层	多芯电缆。 线径不小于功率电缆。	1 Nm(*)

警告！ 如果散热片没有正确接地，接触散热片时会触电。

注意： 使用随机提供的 M4x8 螺钉。接地螺钉的最大插入长度是 6 mm。

遵守当地的有关标准选择电缆。如果环境温度超过 30 °C(86°F)，按照 60°C (140°F) 或 75 °C(167°F) 条件计算电缆载流量。参见 239 页的 [有关接线和 EMC 的详细指导](#)。

ACS55 的接地漏电流大于 3.5 mA AC / 10 mA DC。根据标准 EN50178，ACS55 必须牢固接地安装。

输入熔断器

推荐的熔断器型号参见第 242 页的 [技术数据](#)。

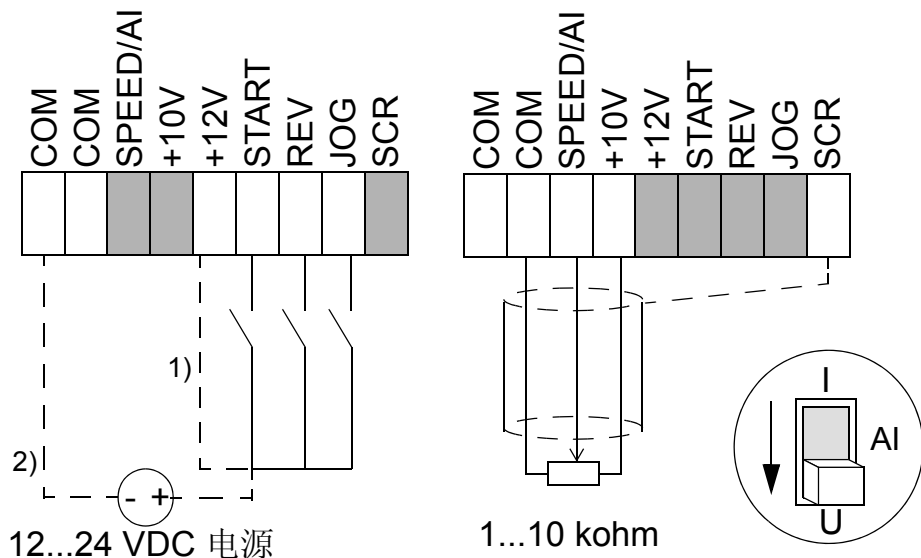
电机

电机必须是三相交流感应式电机，额定电压 U_N 为 200 至 240V，额定频率 f_N 为 50 或 60 Hz。电机的额定电流必须小于或等于 ACS 55 的输出电流 (I_2)。

如果电机和 ACS 55 输出端子相序连接为 U-U， V-V， W-W，并且 ACS 55 选择正向运转，电机旋转方向为顺时针（从电机输出轴侧看）。

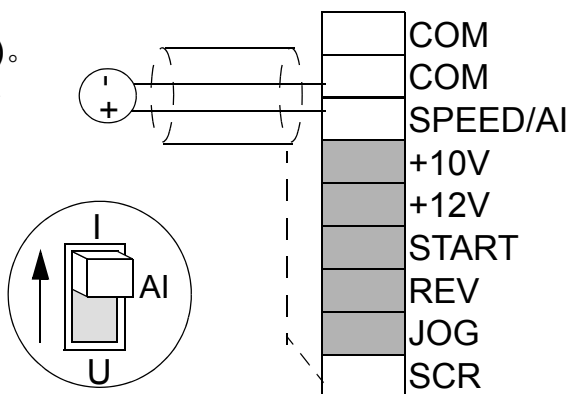
连接控制电缆

数字输入可以使用内部电源 (1) 或外部电源 (2)。模拟控制电压默认为 0...10 VDC。(此时 AI 跳线必须设在电压位置 ("U"))。



使用 0/4...20 mA 电流信号:

- AI 跳线设在 电流位置 ("I")。
- 设置相应的 AI OFFSET 为 4...20 mA。



控制信号连接端子

- 使用 0.25...1.5 mm² 的多芯电缆 (AWG23 - AWG16)。
- 紧固扭矩: 0.25 N·m。

#	名称	描述
1	COM	数字或模拟输入公共点 ¹⁾
2	COM	数字或模拟输入公共点 ¹⁾
3	AI	模拟输入: 速度 (频率) 给定。 0/2...10 VDC (R _i =190 kohm), 或 0/4...20 mA (R _i =100 ohm)。分辨率 0.1%, 精度 +/-1%。
4	+10V	模拟信号电源。 精度 +/-2%, 最大 10 mA。
5	+12V	数字信号辅助电源, 最大 30 mA。
6	START	数字输入 1: 起动 (故障时, 该端子作为复位端子使用) ²⁾
7	REV	数字输入 2: 反转 ²⁾
8	JOG	数字输入 3: 点动 ²⁾
9	SCR	导线屏蔽层连接点。
继电器输出		
1	RO1	故障: 状态开 12 V...250 VAC / 30 VDC 10 mA...2 A
2	RO2	

- 1) 内部通过 1 兆欧电阻接地。
2) 数字输入阻抗为 1.5 千欧。

有关接线和 EMC 的详细指导

遵守下面的指导可以避免故障并保证安装符合欧洲 EMC 标准。

电机电缆

电机电缆必须选择对称的三芯并带同中心接地线的电缆，或者是对称四芯带同中心铠装电缆。推荐使用带屏蔽的电缆。

例如 MCCMK (NK 电缆)。

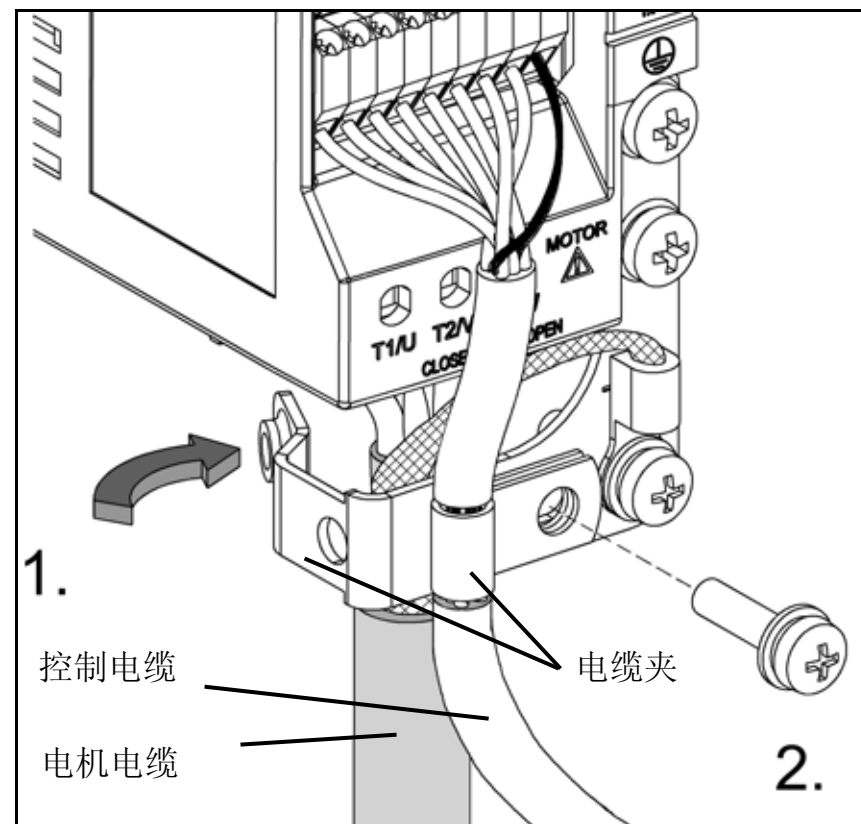
- 接线时将屏蔽层拧成一股，尽可能短，接到接地端子 \perp 上。
- 如图所示，如果选配外部或内部 EMC 滤波器，将电缆屏蔽层用电缆夹夹好。
- 在电机侧，必须使用 EMC 屏蔽环将电缆的屏蔽层 360 度接地，或将屏蔽层拧成一股，长度不超过电缆直径的 5 倍，并连接到电机接地点。

控制电缆

控制电缆必须使用带屏蔽多芯电缆。推荐模拟信号使用单独的双绞屏蔽电缆。

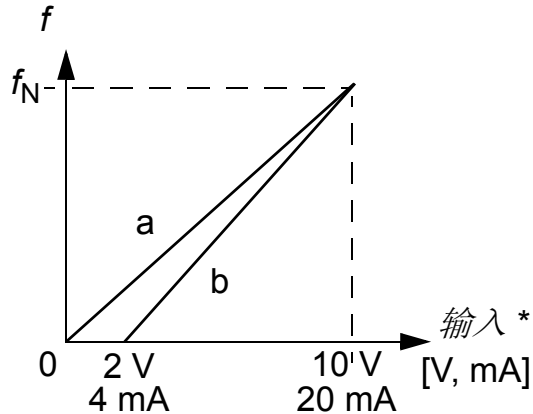
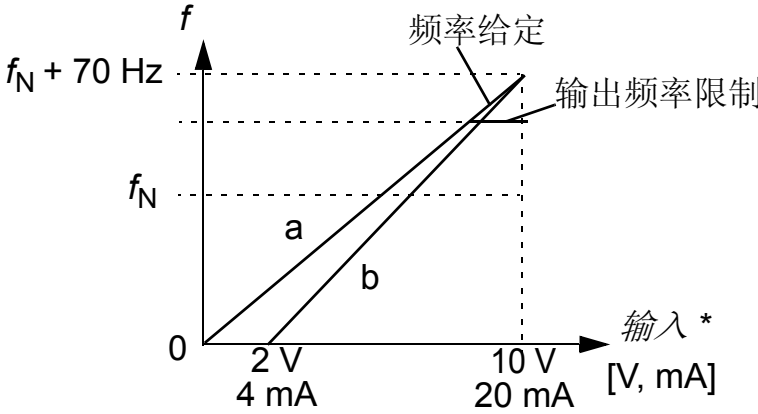
- 将屏蔽层拧成一股，尽可能短，连接到 SCR 端子。
- 如图所示将控制电缆固定在线夹上（适用于带 EMC 的模块）。
- 走线时将电机电缆尽量远离控制电缆和供电电缆，避免电磁干扰（距离 > 20 cm）。

注意：24 VDC 的信号和 115/230 VAC 的信号不要共用同一根多芯电缆。



速度控制

ACS55 使用模拟量输入作为速度 (频率值) 的给定信号。输入信号值和模块认可的给定之间的关系由 DIP 开关的设定来定义。输出频率根据加 / 减速电位器设定的斜率随给定值而变化。


高频模式关闭 (默认)	高频模式启动
 <p>DIP 开关设定： HI FREQ = OFF AI OFFSET = OFF (曲线 a) 或 ON** (曲线 b) MOTOR NOM FREQ = 50 或 60 Hz</p> <p>输出频率不会超过电机额定频率的限制。</p>	 <p>DIP 开关设定： HI FREQ = ON AI OFFSET = OFF (曲线 a) 或 ON** (曲线 b) MOTOR NOM FREQ = 50 或 60 Hz</p> <p>实际频率输出值由 HI FREQ 电位器限制在 f_N 至 $f_N + 70$ Hz 之间的数值。 该电位器不影响模拟输入的换算。</p>
<p>* 使用 AI 跳线选择信号为电流型或电压型。参见第 238 页。 ** 为防止输入信号丢失，当信号值低于 2 V (4 mA) 时，变频器停止运转。</p>	

状态显示和故障跟踪

ACS55 前面板上有两个 LED 状态指示灯。

如果发生故障，红灯闪烁。故障排除，变频器复位。复位方法为将启动信号置为 0。如果启动信号已经为 0，先置 1，再置为 0。

故障代码见下表 (= 红灯闪烁的次数)。

绿色 LED	红色 LED	状态
On	Off	ACS55 正常
On	闪烁 On  Off	启动保护功能。闪烁的次数代表故障代码。
闪烁	闪烁	ACS55 会在 3 秒钟后自动复位。 (*) 警告! 如果有启动信号，电机会启动。

#	故障原因和应采取的措施	#	故障原因和应采取的措施
1	直流过压 (*). 1) 检查电源电压是否过高。2) 检查与负载惯量相比减速时间的设定是否太短：用电位器适当增加加速 / 减速时间。	7	电机过载 (I^2t 过载): 1) 检查负载，并检查电机和变频器 ACS55 型号是否相配。2) 检查电机额定电流电位器设置是否正确。
2	直流欠压 (*). 检查电源电压是否过低。	8	逆变器过载或内部温度过高 1) 检查负载是否过重或 2) 检查周围环境的通风是否良好。
3	输出短路：切断电源，检查电机电缆和电机是否短路。	9	其它故障。内部故障。切断电源，重新上电。如果仍然有故障，需要更换变频器。
4	输出过流。1) 检查与负载惯量相比加速时间的设定是否太短，用电位器适当增加加速 / 减速时间。2) 检查电机和变频器型号是否相配。	10	参数化故障。 注意： 两个指示灯都闪烁。变频器用 DriveConfig 工具参数化后，DIP 开关没有处于默认位置。将开关拨回默认位置。
5	保留	11	变频器由电池供电，变频器状态显示故障，因为这不可能启动变频器。为使变频器运行，变频器必须与主电源相连。但是，当变频器供电由 DriveConfig 套件提供时，变频器和 DriveConfig 的连接是可以的。
6	模拟输入值低于 4 mA/2 V。(*) 注意： 此功能只有在 AI OFFSET 置为 ON 时有效。	12	变频器已由 DriveConfig 控制 (或其它通过串行通讯的应用程序) 和通讯丢失。检查通讯。

(*) 如果 AUTORESET 信号为 ON，电机会自动复位。参见第 234 页的 [DIP 开关](#)。

技术数据

		230 V					115 V	
内置 EMC, ACS55-01E-		01A4-2	02A2-2	04A3-2	07A6-2	09A8-2	01A4-1	02A2-1
无 EMC, ACS55-01N-		01A4-2	02A2-2	04A3-2	07A6-2	09A8-2	01A4-1	02A2-1
电机连续输出功率	kW	0.18	0.37	0.75	1.5	2.2	0.18	0.37
	hp	1/4	1/2	1	2	3	1/4	1/2
外形尺寸 (无 EMC)		A	A	B	C	C	A	A
外形尺寸 (EMC)		A	A	B	D	D	A	A
额定容量								
输入电压 U_1	V	200-240 (+10/-15%)					110-120 (+10/-15%)	
连续输出电流 I_2	A	1.4	2.2	4.3	7.6	9.8	1.4	2.2
最大输出电流 I_{2max}^*	A	2.1	3.3	6.5	11.4	14.7	2.1	3.3
输出电压 U_2	V	0- U_1 , 3 相					0-2 U_1 , 3 相	
输入电流 I_1	A	4.4	6.9	10.8	18.2	22.0	6.4	9.5
开关频率	kHz	5 (最大 16)						
保护极限								
过流值 (峰值)	A	4.4	6.9	13.5	23.9	30.9	4.4	6.9
过温		95°C / 203°F (散热片)						
最大电缆线径								
功率端子	mm ²	2.5 (AWG 14)			4 (AWG 12)		2.5 (AWG 14)	
控制端子	mm ²	1.5 (AWG 16)						
功率损耗	W	21	32	51	74	103	24	35
进线熔断器 **								
IEC, 型号 IEC269 gG	A	10	16	16	25	32	10	16
UL, 型号 CC 和 T	A	10	15	20	25	30	10	15
重量, 内置 EMC, ACS55-01E-	kg (lb)	0.65 (1.4)	0.7 (1.5)	0.9 (2)	1.6 (3.5)	1.7 (3.7)	0.65 (1.4)	0.7 (1.5)
重量, 无 EMC, ACS55-01N-	kg (lb)	0.65 (1.4)	0.7 (1.5)	0.9 (2)	1.2 (2.6)	1.3 (2.9)	0.65 (1.4)	0.7 (1.5)

* 允许最大电流下连续运行 1 分钟。

** 推荐值。不要使用快速或低峰值熔断器。遵循当地使用标准。

电机电缆的最大长度

按照欧洲 EMC 标准，变频器输出至电机间电缆的长度不得超过下表中的数值。电缆越短，电磁噪音越小。

型号 ACS55-01x-	开关频率	
	5 kHz	16 kHz ¹⁾
内置 EMC 滤波器		
<i>EN61800-3, I 类环境, 非限制性销售²⁾</i>		
01A4-2, ..., 04A3-2	10 m	3 m
01A4-1, 02A2-1	10 m	3 m
07A6-2, 09A8-2	10 m	3 m
<i>EN61800-3, I 类环境, 限制性销售³⁾</i>		
01A4-2, ..., 04A3-2	10 m	10 m
01A4-1, 02A2-1	10 m	10 m
07A6-2, 09A8-2	20 m	10 m
<i>EN61800-3, II 类环境³⁾</i>		
01A4-2, ..., 04A3-2	10 m	10 m
01A4-1, 02A2-1	10 m	10 m
07A6-2, 09A8-2	30 m	10 m

1) 开关频率可以通过 DIP 开关选择。参见第 235 页。

2) 仅适用馈电感应干扰。

3) 适用于馈电感应干扰和无线辐射干扰。

保护

过压，欠压，输出短路，过流，模拟输入丢失，电机过载，变频器过载。

浮地电网

使用内置 EMC 滤波器或 ACS50-IFAB-01 输入滤波器的变频器不能连接到浮地电网或者高阻抗接地的工业电网中。

环保提示

为了节省能源，尽量回收能够再生利用的资源。有关 ABB 的产品中可以循环再生资源的信息，可以向 ABB 的销售和服务人员咨询。

声明

作为生产者不承担以下责任：

- 任何由于违反发货说明中的规程以及相关的要求的安装，调试，维修，更换零件和在不符合要求的环境下使用所造成的变频器损坏。
- 使用错误的，损坏的变频器以及人为疏忽所造成的变频器损坏。
- 使用非 ABB 提供或指定的零部件所造成的变频器损坏。

制造商及其供应商和分销商对任何特殊的、间接的、连带的或后果性损坏或罚款不负任何法律责任。

如果有任何关于 ABB 变频器的的问题，请联系当地的分销商或 ABB。ABB 保留更新技术数据和相关宣传品内容的权力，恕不另行通知。

CE

ACS55 符合下列有关欧洲标准

- 低压 73/23/EEC 标准
- EMC 89/336/EEC 标准

备有相应的声明和主要标准表供索取。

电磁兼容性：

ACS55 在按照手册要求正确安装的情况下，满足下列标准：

馈电高频辐射	EN61800-3 I类环境，非限制性销售 / 限制性销售 ¹⁾
无线高频辐射	EN61800-3 I 类环境，限制性销售
防电磁干扰能力	EN61800-3 II 类环境
线电流谐波	IEC61000-3-2

1) 见电机电缆最大长度和开关频率的相关内容第 243 页和第 239 页布线要求。

可以使用外部输入电抗器来减少电流谐波。

UL, cUL 和 C-Tick 标志

见铭牌。

UL, cUL:

ACS55 适用于供给不超过 65 kA rms 对称安培数，电压最大 230 伏的电路，当由 CC 或 T 等级熔断器进行保护时。

C-Tick:

对于电磁适应性，参见以上 CE 部分的说明。

遵循欧洲机械标准要求

变频器遵循欧洲机械标准要求，可以应用于机械使用。声明可由 ABB 公司提供。

美国的产品保护

该产品由以下一个或几个美国专利进行保护。

4,920,306	5,301,085	5,463,302	5,521,483	5,532,568	5,589,754	5,612,604
5,654,624	5,799,805	5,940,286	5,942,874	5,952,613	6,094,364	6,147,887
6,175,256	6,184,740	6,195,274	6,229,356	6,252,436	6,265,724	6,305,464
6,313,599	6,316,896	6,335,607	6,370,049	6,396,236	6,448,735	6,498,452
6,552,510	6,597,148	6,600,290	6,741,059	6,774,758	6,844,794	6,856,502
6,859,374	6,922,883	6,940,253	6,934,169	6,956,352	6,958,923	6,967,453
6,972,976	6,977,449	6,984,958	6,985,371	6,992,908	6,999,329	7,023,160
7,034,510	7,036,223	7,045,987	7,057,908	7,059,390	7,067,997	7,082,374
7,084,604	7,098,623	7,102,325	7,109,780	7,164,562	7,176,779	7,190,599
7,215,099	7,221,152	7,227,325	7,245,197	7,250,739	7,262,577	7,271,505
7,274,573	7,279,802	7,280,938	7,330,095	7,349,814	7,352,220	7,365,622
7,372,696	7,388,765	7,408,791	7,417,408	7,446,268	7,456,615	7,508,688
7,515,447	7,560,894	D503,931	D510,319	D510,320	D511,137	D511,150
D512,026	D512,696	D521,466	D541,743S	D541,744S	D541,745S	
D548,182S	D548,183S	D573,090S				

其它有待核审的专利。

附件

输入电抗器：CHK-A1, CHK-B1, CHK-C1, CHK-D1

输出电抗器：ACS-CHK-B3, ACS-CHK-C3

电位器单元：ACS55-POT

如果想得到更多传动配置工具的信息，请与您当地的 ABB 供应商联系。见 *DriveConfig 用户向导* [3AFE68910897 (英文)]。

사용자 메뉴얼
ACS55
AC 드라이브
0.18 ~ 2.2 kW



한국어 KR

ABB

제품 및 서비스 요청

ABB 제품의 구매, 서비스 및 기타 문의사항은 현지 대리점 및 ABB 사무소로 연락하시기 바랍니다. ABB 영업 및 서비스와 관련된 주소는 인터넷 www.abb.com/drives 에서 *Drives – Sales, Support 및 Service network* 항목을 보시면 자세한 내용을 확인할 수 있습니다.

제품 교육

ABB 제품에 대한 교육은 www.abb.com/drives 에서 *Drives – Training courses* 를 통하여 확인할 수 있습니다.

ABB 드라이브 설명서에 대한 조언

ABB 는 사용 설명서에 대한 고객의 조언을 환영합니다. 웹사이트 www.abb.com/drives 에서 *Drives – Document Library – Manuals feedback form (LV AC drives)* 으로 들어오시어 기록을 남겨주시기 바랍니다.

3AFE68929300 Rev C
KR
Effective: 2010-04-12

(주) ABB 코리아

서울시 강남구 삼성동 157-33 옥산빌딩 8 층
산업자동화 사업본부

전화 : (02) 528 - 2329

팩스 : (02) 528 - 2338

인터넷 : www.abb.com/drives

© 2010 (주) ABB 코리아 . 판권 소유 .

안전관리 지침

제품의 설치에 앞서 본 안전관리 지침을 반드시 읽어보시기 바랍니다.

경고! 전압 위험!

ACS55 는 전기기술자가 설치하여야 합니다.

주 전원이 인가되고 있을 때, 드라이브와 모터 케이블, 모터와 관련된 어떠한 작업도 하지 마십시오. 드라이브에 작업을 하기전에, 입력전원이 차단된 이후라도 중간회로 커패시터의 방전을 위하여 최소 5 분 정도 기다리시기 바랍니다.

경고! 만약에 방열판이 적절한 접지가 되어 있지 않다면, 방열판 접촉시 전기적인 충격을 받을 수 있습니다.

주: DIP 스위치에 위험 전압이 인가될 수 있습니다.

주: 모터가 정지한 경우라도, 전원 회로 단자 L/R, N/S, T1/U, T2/V, T3/W 에 위험 전압이 존재합니다.

주: 유닛에 전원이 차단된 경우라도, 외부로부터 릴레이 출력 단자에 위험 전압이 흐를 수 있습니다.

경고! 표면 온도 과열!

운전 중에 냉각부는 높은 온도 (80°C 이상) 에 도달할 수 있습니다. 반드시 설치 지침을 따르기 바랍니다.

일반 안전 지침

ACS55 는 외부에서 기동 신호가 인가되고 있는 경우, 전원 복귀와 함께 자동으로 모터를 기동합니다.

파손된 제품은 절대로 수리하지 마십시오. ACS55 는 현장에서의 수리가 불가능합니다. 공인된 제품 공급경로를 통하여 교체하시기 바랍니다.

ACS55 는 잠금 장치가 있는 제한된 공간에 설치하시기 바랍니다. 입력 전원을 매 3 분에 한 번을 초과하여 유닛에 인가하지 마십시오.

DIP 스위치의 변경은 ACS55의 기능과 성능에 영향을 줍니다. 변경 사항을 확인하는 것은 인명 및 재산에 대한 위험 요소를 없애 줍니다.

메뉴얼의 사용

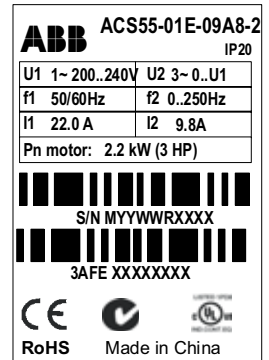
본 안내서는 유닛의 설치 및 시운전과 관련된 유용한 정보를 제공합니다.

납품 확인

납품 시 다음과 같은 내용을 포함하고 있습니다.:

1. ACS55
2. 사용자 메뉴얼
3. 제어케이블 연결을 위한 2 개의 클램프 (EMC 유닛만 해당함).

명판의 내용이 주문한 내용과 납품된 장치와 같은지 확인하시기 바랍니다.



ACS55-01 - -

EMC 필터 : E = 내장 , N = 없음

최대 연속 출력 전류 (I₂):

01A4 = 1.4 A, 02A2 = 2.2 A, 04A3 = 4.3 A,

07A6 = 7.6 A, 09A8 = 9.8 A

공급 전압 (U₁):

1 = 110...120 VAC +10%/-15%

2 = 200...240 VAC +10%/-15%

일련번호 (S/N) 는 명판에 인쇄되어 있습니다.

(M = 원산지, YY = 제조년도, WW = 제조된 주, R = 제품 Revision(A,B,C...), XXXX = 주를 나타내는 정수는 0001 부터 시작합니다.)

설치 및 시운전 절차

설치를 시행하기전에 [247](#) 쪽의 [안전관리 지침](#)을 주의깊게 읽어보시기 바랍니다 .

	절차	쪽
1	구입한 제품을 확인합니다 .	247
2	설치할 장소의 환경 조건이 ACS55 를 설치하기에 적합한지 확인합니다 .	250
3	유닛을 설치합니다 .	252 - 253
4	표준 설정값이 사용하고자 하는 용도에 적합한지 확인합니다 . 표준 설정값 : 모터 정격 주파수 - 50 Hz ; 부하 종류 - 펌프 , 팬 ; 최대 출력 주파수 - 50 Hz . 만약 적합하지 않을 경우 , DIP 스위치를 사용하여 조정합니다 .	254
5	MOTOR I NOM 제어 조정기의 값을 모터 정격 전류와 일치하도록 조정합니다 . 이 값은 모터의 과열보호 기능에 적용됩니다 .	256
6	ACC/DEC 제어 조정기를 이용하여 가속 및 감속 시간을 알맞게 조정합니다 .	256
7	입력 전원 케이블 및 모터 케이블을 연결합니다 .	257
8	제어용 케이블을 연결합니다 .	258
9	전원을 인가합니다 . 녹색 LED 가 점등됩니다 . 주의 : 기동 신호가 활성화 되어 있으면 모터가 회전하니 주의하시기 바랍니다 .	
10	회전 속도값을 설정하고 , 기동 신호를 인가합니다 . 모터는 설정된 속도까지 가속합니다 .	260

절연 확인

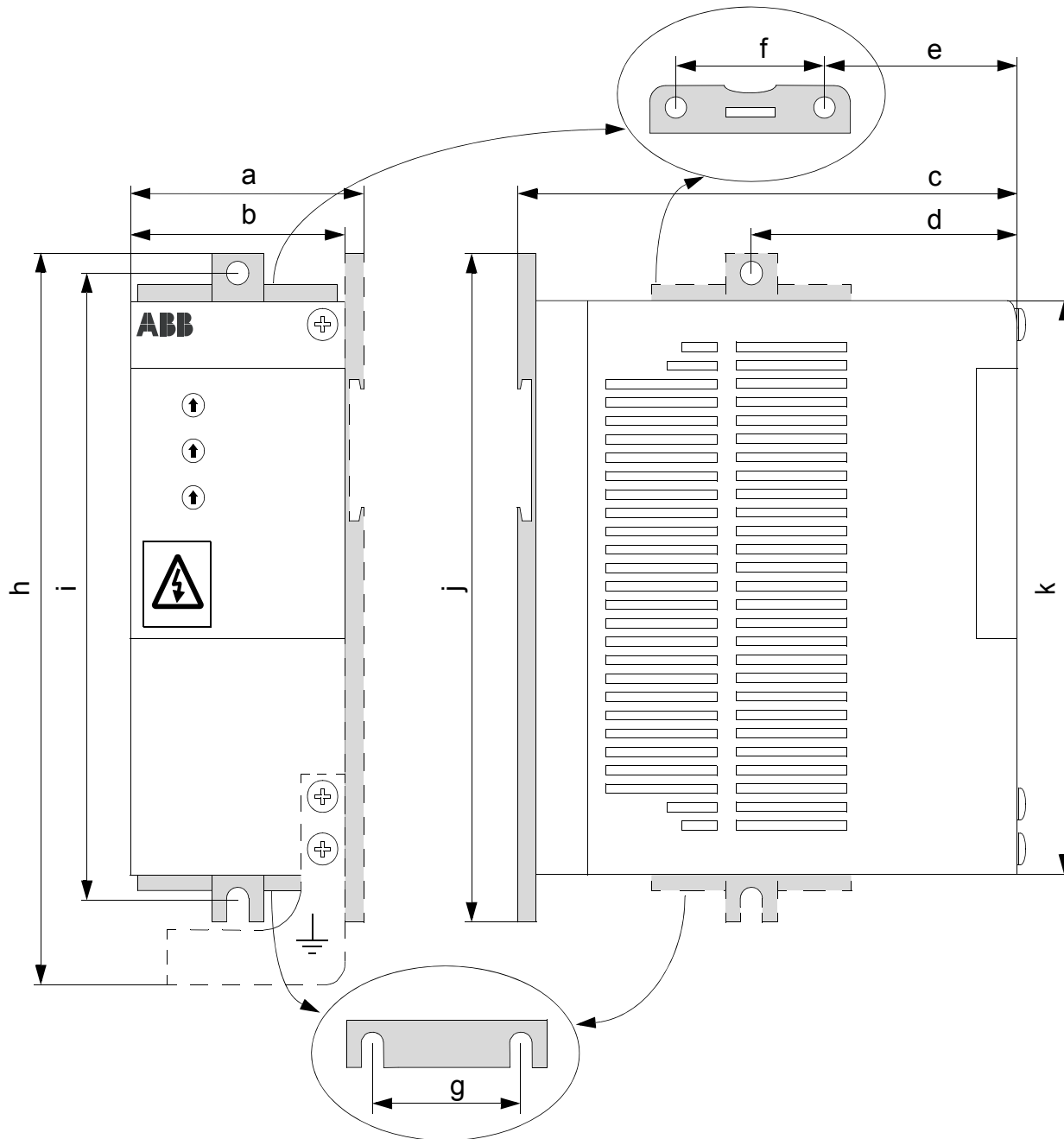
내압 테스트나 저항의 절연 테스트는 드라이브를 손상시킬수 있으므로 실행하지 마십시오 . 모든 드라이브의 주 회로와 판넬 사이의 절연은 공장에서 이미 테스트 되었습니다 . 또한 드라이브 내에는 테스트 전압을 자동 차단하는 회로가 있습니다 .

주위 환경

	설치 장소	보관 및 이송 시 (안전 포장내에서)	
온도	-20°C (-4°F), 결빙 현상 없을 것 ¹⁾ +40°C (104°F), 정격 출력 +50°C (122°F), 연속 출력 전류는 정격 출력 전류 I_2 최대 85% 로 제한됩니다 . +55°C (131°F), 연속 출력 전류는 정격 출력 전류 I_2 대비 최대 75% 로 제한됩니다 .	-40°C (-40°F) ~ +70°C (158°F)	
고도	0...2000 m (0...6,600 ft) 고도 1000...2000 m (3,300...6,600 ft) 에서 정격 출력 P_N 및 정격 전류 I_2 는 매 100 m 상승 시 1% 저감	제한 없음	
상대 습도	95% 미만 , 결로 현상 없음	95% 미만 , 결로 현상 없음	
오염 기준 (IEC 60721-3-3)	<ul style="list-style-type: none"> 전도성 먼지 허용하지 않음 부식성 물질 및 전도성 먼지를 포함하지 않은 청정 건조한 공기 화학 가스 : Class 3C2 고체 미립자 : Class 3S2 	보관 <ul style="list-style-type: none"> 전도성 먼지 허용하지 않음 화학 가스 : Class 1C2 고체 미립자 : Class 1S2 	이송 <ul style="list-style-type: none"> 전도성 먼지 허용하지 않음 화학 가스 : Class 2C2 고체 미립자 : Class 2S2
진동 (IEC 60068-2-6)	주파수 범위 : 5...150 Hz 연속 피크치 가속 : 1 g	ISTA 1A 사양 기준에 따름	
충격 (IEC 60068-2-29)	허용하지 않음	최대 100 m/s ² (330 ft/s ²), 11 ms (36 fts)	
자유 낙하	허용하지 않음	허용하지 않음	

1) 영하의 기온에서 사용할 경우 , 입력 주전원을 항상 유지하시기 바랍니다 . 드라이브에서 일정한 부분 열이 발생합니다 .

ACS55 의 보호등급은 IP20 입니다 .



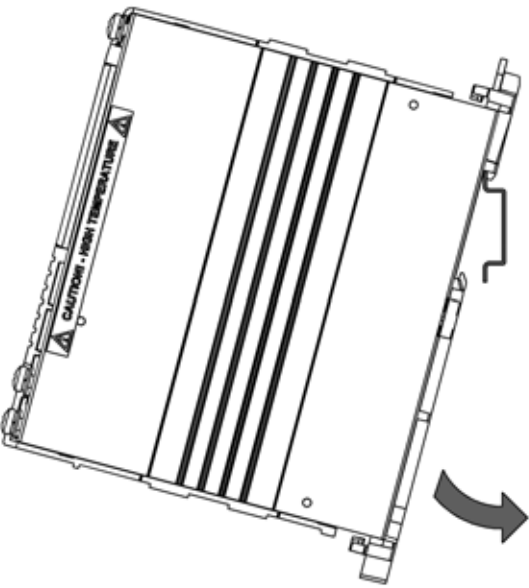
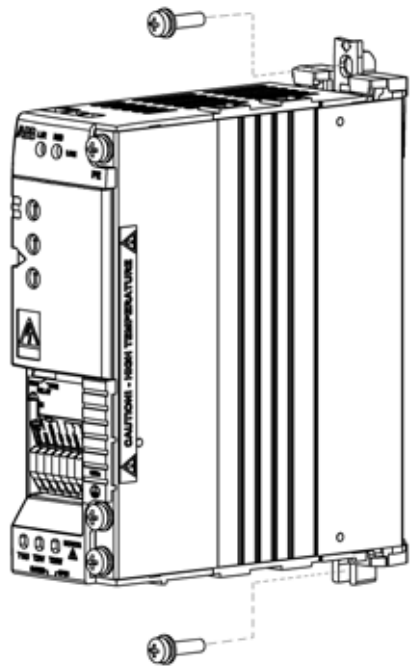
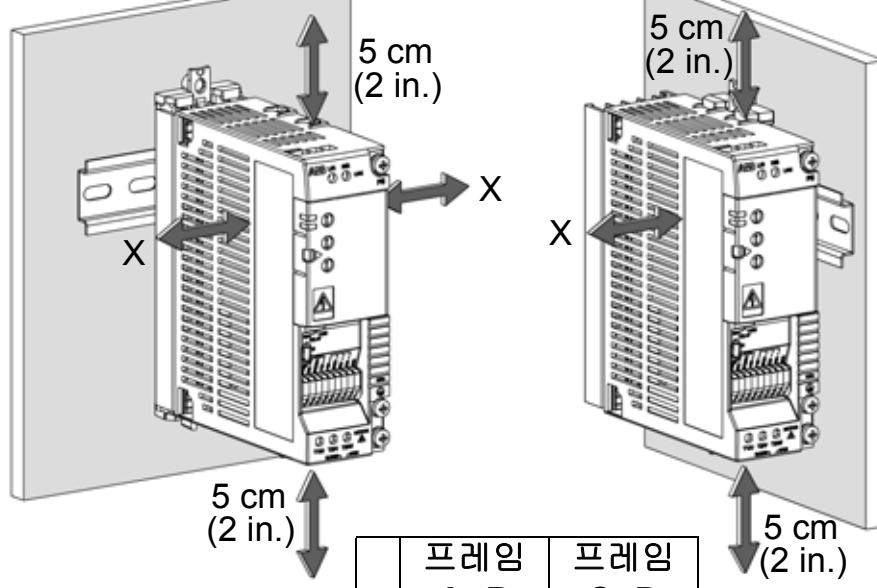
	프레임 A mm (in.)	프레임 B mm (in.)	프레임 C mm (in.)	프레임 D mm (in.)
a	53 (2.09)	72 (2.83)	74 (2.91)	74 (2.91)
b	45 (1.77)	67.5 (2.66)	70 (2.76)	70 (2.76)
c	128 (5.04)	128 (5.04)	159 (6.26)	159 (6.26)
d	67.5 (2.66)	67.5 (2.66)	-	-
e	-	-	77 (3.03)	77 (3.03)
f	-	-	40 (1.57)	40 (1.57)
g	-	-	40 (1.57)	40 (1.57)
h	183 (7.20)	183 (7.20)	-	230 (9.06)
i	156 (6.14)	156 (6.14)	182 (7.17)	214 (8.43)
j	170 (6.69)	170 (6.69)	194 (7.64)	226 (8.90)
k	146.5 (5.77)	146.5 (5.77)	171 (6.73)	203 (7.99)

경고! 정상 운전 중 유닛은 높은 열이 발생합니다. 모든 환경 조건이 냉각 공기의 순환에 적합한지 확인하십시오.:

- ACS55의 냉각팬은 항상 수직방향으로 설치되어 있습니다.

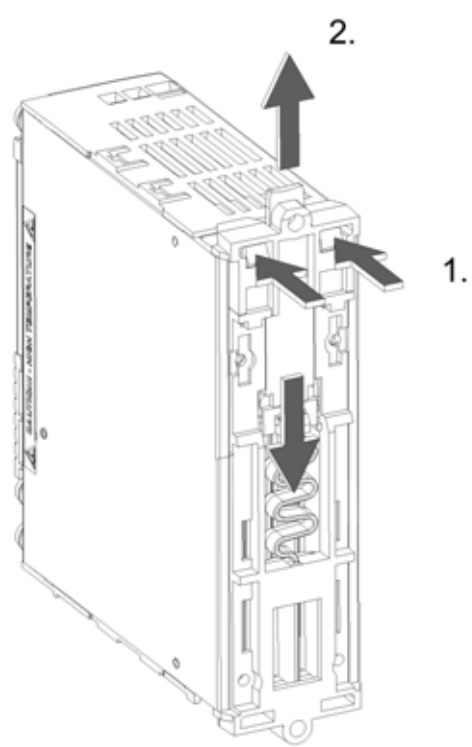
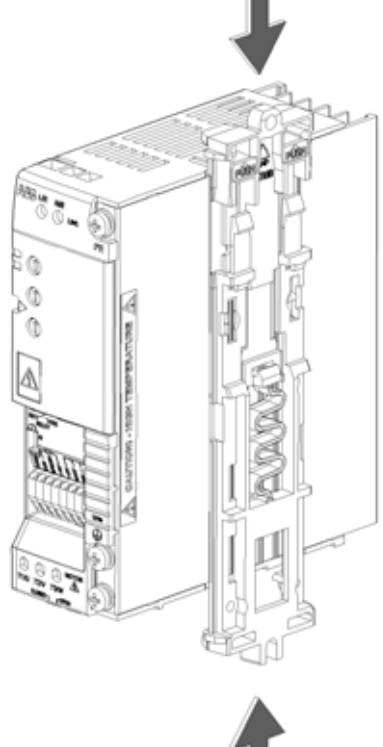
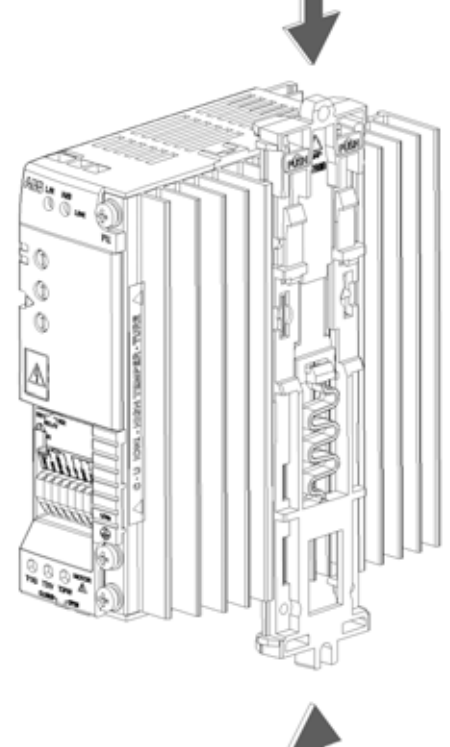
- 프레임 A와 B는 냉각을 위한 적절한 공간을 필요로 합니다. 프레임 C와 D 유닛은 냉각팬이 설치되어 있으며, 냉각을 위하여 별도의 측면 공간이 필요하지 않고, 여러대의 동시 일렬배치가 가능합니다.

고정클립을 이용한 35 mm DIN 레일 또는 볼트를 이용한 벽걸이 방식으로 유닛을 설치합니다.

<p>DIN 레일을 이용한 설치 ACS55를 레일에 끼워넣습니다. 상단의 고정클립을 눌러서 떼어낼 수 있습니다.</p>	<p>벽걸이형 설치 M4 볼트를 사용하여 고정클립을 통하여 유닛을 벽면에 고정합니다.</p>	<p>이격 거리 유닛의 냉각을 위하여 항상 적절한 공간을 필요로 합니다.</p>						
		 <table border="1" data-bbox="1590 1260 1937 1444"> <thead> <tr> <th></th> <th>프레임 A, B cm (in.)</th> <th>프레임 C, D cm (in.)</th> </tr> </thead> <tbody> <tr> <td>X</td> <td>1.5 (0.6)</td> <td>0 (0)</td> </tr> </tbody> </table>		프레임 A, B cm (in.)	프레임 C, D cm (in.)	X	1.5 (0.6)	0 (0)
	프레임 A, B cm (in.)	프레임 C, D cm (in.)						
X	1.5 (0.6)	0 (0)						

고정클립의 설치 및 제거

유닛은 전면 또는 90도 회전 설치가 가능합니다. 고정 클립을 원하는 방향으로 설치할 수 있습니다. 프레임 A와 B에 대한 아래 설명을 참조하십시오. 프레임 C는 고정클립을 아래로 당기면 분리되며, 다시 위로 밀어 올리면 장착됩니다.

<p>고정클립 제거 (프레임 A, B): 두개의 플라스틱 버튼을 눌러 상부와 하부의 클립을 각기 다른 방향으로 당겨서 본체로부터 분리합니다.</p>	<p>고정클립 설치 (프레임 A): 설치할 부분에 두개의 클립을 그림과 같이 끼워넣습니다.</p>	<p>고정클립 설치 (프레임 B): 두개의 클립을 방열판 사이에 그림과 같이 끼워넣습니다.</p>
		

DIP 스위치

DIP 스위치는 ACS55 를 모터 및 용도에 맞게 설정하는데 사용합니다 .



경고 ! DIP 스위치에는 위험전압 (200 V) 이 인가됩니다 . 스위치 조정에 앞서 전원 차단 후 최소 5 분 정도 기다리십시오 . ACS55 에 전원이 인가되어 있을때는 보호 덮개를 닫으십시오 .

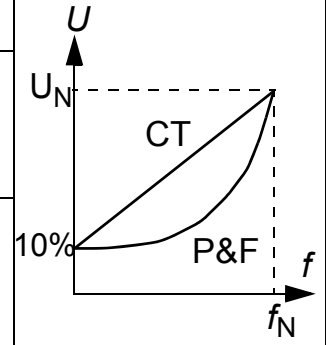
구성

- 전면 덮개를 연 후 , 스크류 드라이버를 이용하여 DIP 스위치를 조정합니다 .
- 스크류 드라이버를 이용하여 스위치를 왼쪽 또는 오른쪽으로 밀어 조정합니다 . 초기값은 모든 스위치가 왼쪽에 놓여 있습니다 .
- 조정 후 , 전면 덮개를 닫습니다 .

기본 정보

DIP 스위치	#	이름 및 기능	초기	선택
			설정	설정
<p>50 OFF P&F 5 FLT OFF OFF OFF</p> <p>1 2 3 4 5 6 7 8</p> <p>60 Hz ON SILENT CT LOAD 10 JOG Hz RUN RELAY ON AI OFFSET ON AUTORESET ON HI FREQ</p>	1	NOM FREQ HZ: 모터 정격 주파수	50 Hz	60 Hz
	2	SILENT: 모터 소음 정도 (PWM 스위칭 주파수)	OFF - 일반 모드 (5 kHz)	ON - 정속 모드 (16 kHz)
	3	LOAD: 부하 토크 타임 (U/f 곡선)	P&F - 펌프 / 팬	CT - 정토크
	4	JOG HZ: 조그 운전을 위한 고정주파수 설정	5 Hz	10 Hz
	5	RELAY: 릴레이 출력 모드	FLT - 고장	RUN - 운전중
	6	AI OFFSET: 아날로그 입력의 최소값 설정	OFF - 0 mA (0 V)	ON - 4 mA (2 V)
	7	AUTORESET: 자동 고장해제 기능	OFF - 설정하지 않음	ON - 설정함
	8	HI FREQ: 고주파수 출력 모드	OFF - 표준 모드	ON - 고주파수 출력 모드

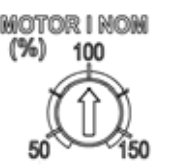

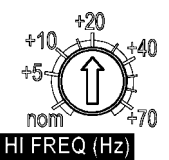
번호	이름	내용
1	NOM FREQ Hz	모터의 정격 주파수를 선택합니다 (모터 명판).
2	SILENT	드라이브의 스위칭 주파수를 선택합니다 . 주 : 높은 스위칭 주파수는 유럽의 EMC 규정에 따라 보다 높은 전자기 노이즈와 모터 케이블의 길이를 제한합니다 . 262 쪽의 기술데이터 를 참조하세요 . 주 : 스위칭 주파수는 ACS55 의 온도에 따라 바뀝니다 .
3	LOAD	부하의 특성에 따라 출력 전압과 주파수를 최적화합니다 . P&F 는 자승저감 토크 부하 (예 : 펌프 및 팬) 에 CT 는 정토크 부하 (예 : 컨베이어) 에 적합합니다 . ACS55 는 모터의 손실을 보상하기 위하여 자동으로 전압을 10% 부스트하며 , 기동 토크를 증가시켜 줍니다 .
4	JOG Hz	조그 운전 주파수를 선택합니다 . 디지털 입력 3("JOG") 에 12...24 VDC 가 인가되면 조그 기능이 동작합니다 . (드라이브는 조그 운전 주파수로 가속 또는 감속하며 , 디지털 입력이 해제될 때까지 조그 기능을 유지합니다 .)
5	RELAY	릴레이 출력 접점이 오픈상태에서 언제 닫힘상태로 동작 할것인지 선택합니다 . FLT = 고장 . 전원이 꺼져 있거나 드라이브가 고장일 때 접점은 오픈되어 있습니다 . RUN = 운전중 . 드라이브가 운전중에 접점은 닫혀 있습니다 .
6	AI OFFSET	아날로그 입력 신호의 최소값을 정의합니다 . 4 mA (2 V) = 아날로그 입력신호가 제한값 이라고 떨어지면 ACS55 는 이를 고장으로 판단하여 트립됩니다 . 아날로그 입력신호의 스케일과 관련하여 260 쪽의 속도제어 를 참조하십시오 .
7	AUTO-RESET	다음과 같은 고장이 발생하였을 때 , 자동 고장해제 기능이 동작하도록 설정합니다 . : 저전압 , 과전압 , 아날로그 입력 신호 결상 , ON = ACS55 는 고장으로 트립되면 3 초 동안 최대 10 회의 자동 고장해제 기능을 수행합니다 . 3 초를 초과하여 고장 신호가 해제되지 않으면 , ACS55 는 정지하며 더이상 고장해제 기능을 수행하지 않습니다 . 261 쪽의 상태표시 및 고장 진단 와 관련된 내용을 참조하시기 바랍니다 . 경고! 만약 기동신호가 활성화되어 있다면 , 고장해제 후 모터가 기동하게 됩니다 . 이 경우 위험을 가져올 수 있으니 주의하십시오 .
8	HI FREQ	최대 출력 주파수를 정의합니다 . OFF: 최대 출력 주파수 = NOM FREQ HZ 스위치 상태값 . ON: 최대 출력 주파수 = NOM FREQ HZ 스위치 상태값 + HI FREQ 포텐션미터의 설정값 . 256 쪽의 조정용 포텐션미터 를 참조하십시오 .



더 자세한 정보는 [DriveConfig User's Guide \[3AFE68910897 \(English\)\]](#) 에서 확인하십시오 .

조정용 포텐션메터

조정용 포텐션메터는 스크류 드라이버를 사용하여 조정할 수 있습니다. 초기값은 포텐션메터의 중간에 위치합니다.

	<p>MOTOR I NOM</p>	<p>MOTOR I NOM의 값은 아래의 계산식에 따라 계산하거나 및 MOTOR I NOM 선택 차트에서 선택할 수 있습니다. ACS55는 모터의 측정 전류 및 정의된 모터의 정격 전류값을 가지고 모터의 온도를 측정합니다. 만약 측정된 온도가 모터의 과열을 예고할 경우 드라이브는 트립됩니다. 주 : 만약 모터 케이블이 긴 경우, 큰 충전 전류를 함유할 수 있으므로 MOTOR I NOM 값을 높게 설정해야 합니다.</p> $\text{MOTOR I NOM (\%)} = \frac{\text{전동기 정격 전류 [A]}}{\text{ACS55 정격 전류 [A]}} \cdot 100\%$
	<p>ACC/DEC</p>	<p>최저 주파수에서 최고 주파수까지 가속 및 감속 시간을 초단위로 설정합니다. ACC/DEC 시간을 길게 설정할 수록, ACS55는 레퍼런스 입력에 따라 더욱 느리게 동작합니다..</p>
	<p>HI FREQ</p>	<p>정격 주파수와 정격 주파수 + 70 Hz 사이에서 최대 출력주파수를 제한합니다. HI FREQ DIP 스위치가 활성화된 상태에서 포텐션메터를 사용하여 고 주파수 범위를 설정합니다. 254 쪽의 DIP 스위치를 참조하세요.</p>

MOTOR I NOM 선택 차트

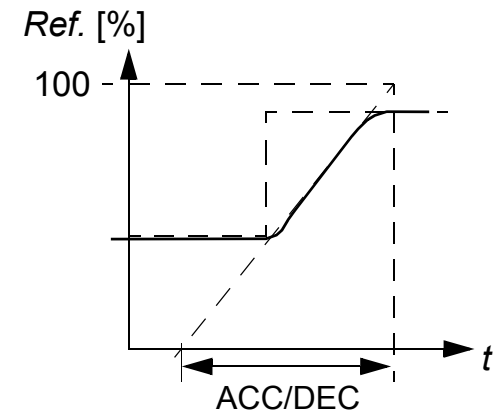
모터 정격 전류 (A)

ACS55-01x-

-01A4-x	0,7	0,8	1,0	1,2	1,4	1,6	1,8	2,0	2,1		
-02A2-x	1,1	1,3	1,5	1,8	2,0	2,2	2,4	2,6	2,8	3,0	3,3
-04A3-x	2,2	2,6	3,0	3,5	4,0	4,3	4,7	5,2	5,6	6,0	6,5
-07A6-x	3,8	4,6	5,3	6,1	6,8	7,6	8,4	9,3	10,2	11,4	
-09A8-x	4,9	5,9	6,9	7,8	8,8	9,8	10,8	12,0	13,3	14,7	

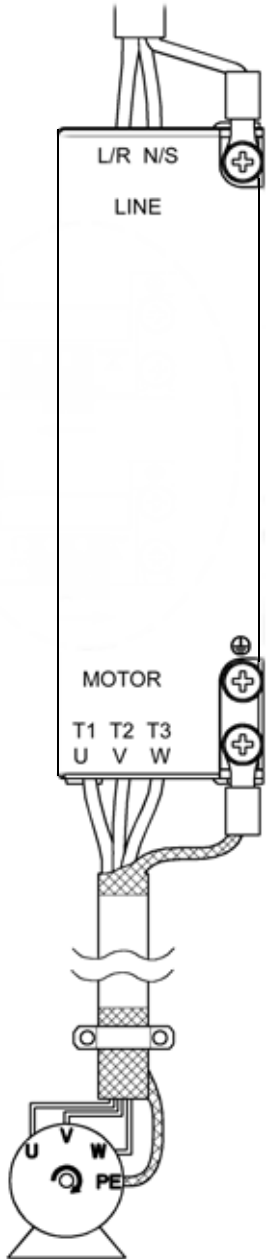
MOTOR I NOM 50 60 70 80 90 100 110 120 130 140 150%

ACC/DEC 시간




전원 및 모터 케이블 연결

1- 상
입력 전압



⚠ 경고! 설치에 앞서 주전원을 차단하십시오 .

주 : 입력 전원이 맞는지 확인하십시오 ! 입력 전압이 115VAC 인 ACS55 유닛에 230 VAC 를 인가하면 드라이브가 소손될 수 있습니다 !

단자대	설명	케이블 굵기	조임 토크
L/R, N/S	1~ 입력 전원 연결 단자	최대 2.5 mm ² (프레임 A, B), 최대 4 mm ² (프레임 C, D) 4 심 케이블	0.5 N·m
T1/U, T2/V, T3/W	모터 연결 단자		
PE 	보호 접지 . 모터 케이블 보호 및 쉴드 .	다심 구리선 사용 . 전원 케이블보다 얇은 선을 사용하지 않습니다 .	1 N·m

경고! 방열판에 적절한 접지가 되어 있지 않은 상태에서 방열판을 접촉할 경우, 전기적인 충격을 받을 수 있습니다 .

주 : M4x8 볼트를 사용하며, 접지 볼트가 최대로 들어갈 수 있는 깊이는 **6 mm** 입니다 ..

케이블 크로스 섹션에 대하여 현지 규칙을 따르십시오 . 주위온도가 30°C (86°F) 를 넘는다면 , 60°C (140°F) 정격 케이블 또는 75°C (167°F) 정격 케이블을 사용하십시오 . 그리고 [259](#) 쪽의 *케이블에 대한 부가 정보 및 EMC 지침* 을 참조하십시오 .

ACS55 의 누설전류는 3.5 mA AC / 10 mA DC 를 초과할 수 있습니다 . EN50178 에 따라서 ACS55 는 고정 설치 방식에서만 사용할 수 있습니다 .

입력 퓨즈

추천하는 퓨즈 종류에 대하여 [262](#) 쪽의 *기술데이터*를 참조하십시오 .

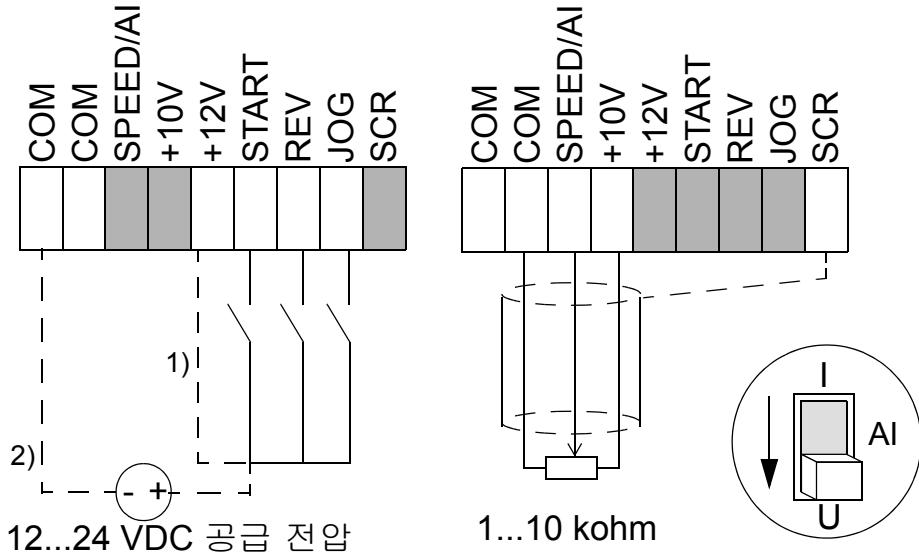
모터

모터는 3- 상 유도전동기를 사용해야하며, 정격 전압 U_N 은 200 ~ 240 V 이며, 정격 주파수 f_N 은 50 또는 60 Hz 입니다 . 모터의 정격 전류는 드라이브의 출력 전류 (I_2) 보다 같거나 작아야 합니다 .

만약 모터 케이블이 U-U, V-V 및 W-W 와 같이 결선되어 있다면 모터는 축 전면에서 보았을 때 시계방향으로 회전 합니다 .

제어 케이블 결선

디지털 입력은 내부전원 (1) 및 외부전원 (2) 을 사용할 수 있습니다 . 아날로그 제어 전압은 표준 0...10 VDC 입니다 (AI 점퍼의 위치가 전압 ("U") 으로 선택되어 있어야 합니다 .).



0/4...20 mA 전류 신호를 사용하려면 AI 점퍼를 전류 ("I") 위치로 선택하십시오 .

- 아날로그 입력신호를 4...20mA 로 사용하려면 , AI OFFSET 스위치를 ON 으로 바꾸십시오 .

제어 단자

0.5...1.5 mm²(AWG22 - AWG16) 굵기의 다심케이블 사용 .

#	이름	내용
1	COM	디지털 및 아날로그 입력의 커먼 단자 ¹⁾
2	COM	디지털 및 아날로그 입력의 커먼 단자 ¹⁾
3	AI	아날로그 입력 : 속도 (주파수) 레퍼런스 . 0/2...10 VDC (Ri=190 kohm) 또는 0/4...20 mA (Ri=100 ohm). 분해능 0.1%, 정밀도 +/-1%.
4	+10V	아날로그 입력용 레퍼런스 전압 . 정밀도 +/-2%. 최대 10 mA.
5	+12V	디지털 입력용 보조 전원 . 최대 30 mA.
6	START	디지털 입력 1: 기동 (드라이브 고장 트립시 해제 기능) ²⁾
7	REV	디지털 입력 2: 회전 방향 전환 ²⁾
8	JOG	디지털 입력 3: 조그 운전 ²⁾
9	SCR	신호선의 스크린 차폐 . 내부적으로 프레임 접지에 연결되어 있음 .

릴레이 출력		
1	RO1	고장 : 릴레이 오픈 .12 V...250 VAC / 30 VDC 10 mA...2 A
2	RO2	


- 1) 내부적으로 프레임 (접지) 에 연결되어 있음 : 저항값 1 Mohm.
- 2) 디지털 입력 임피던스 : 1.5 kohm.

케이블 추가 정보 및 EMC 지침

다음은 유럽의 EMC 지시에 대한 적합성 및 드라이브의 원활한 운영을 위한 지침입니다 .

모터 케이블

모터 케이블은 동심형 PE 도체를 포함한 대칭형의 3 심 케이블을 사용하거나 각각에 대하여 동심 쉴드를 포함한 4 심 케이블을 사용해야 합니다 . MCCMK (NK 케이블) 과 같은 꼬아놓은 철심 차폐 케이블을 추천합니다 .

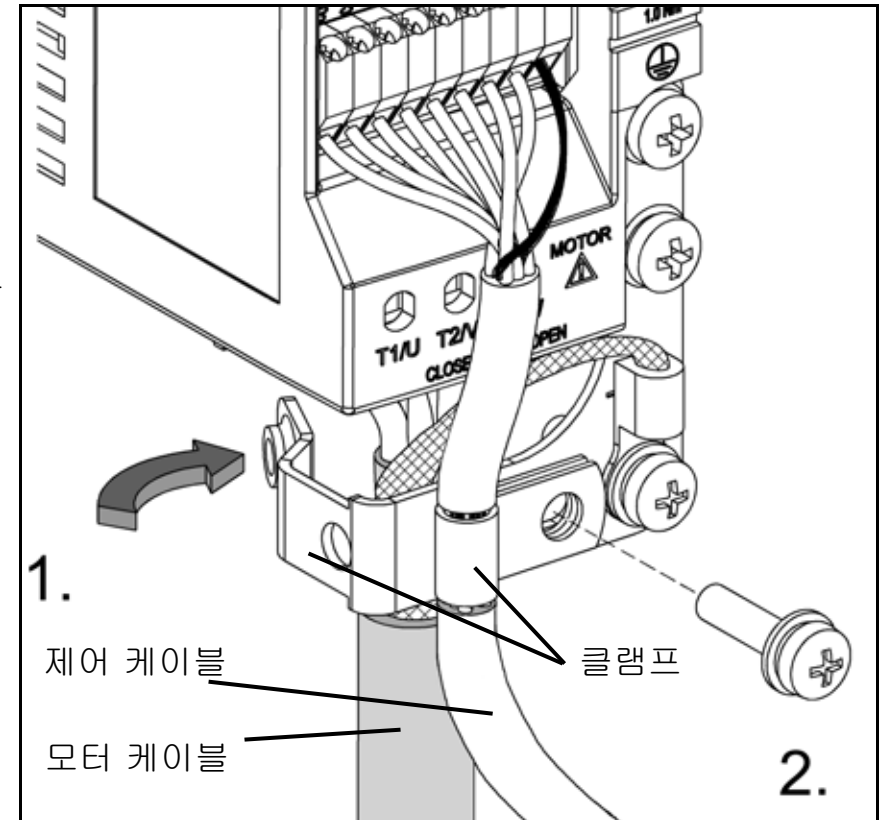
- 꼬여진 차폐 케이블은 묶음으로 접지단자에 연결합니다  . 차폐 케이블은 묶음 상태를 유지하십시오 .
- 내장 또는 외장형 EMC 필터를 사용할 경우 , 아래 그림과 같이 클램프를 사용하여 케이블을 스크린 처리하십시오 .
- 모터 말단에 연결되는 모터 케이블은 EMC 에 적합한 케이블 글랜드를 사용하여 360 도 스크린 처리하십시오 . 또는 , 차폐 케이블을 케이블 폭의 5 배가 넘지 않는 길이로 함께 묶음으로 꼬아서 모터 PE 단자에 연결하십시오 .

제어 케이블

제어 케이블은 여러가닥의 연심 차폐케이블 (구리) 을 사용해야 합니다 . 아날로그 신호선은 이중 차폐된 트위스트 케이블을 권장합니다 .

- 트위스트 차폐케이블은 하나의 묶음으로 SCR 단자에 연결하십시오 . 케이블 묶음은 가능한 짧게 하십시오 .
- 제어 케이블의 클램프는 그림과 같이 설치합니다 (EMC 유닛만 해당) .
- 모터 케이블 , 전원 케이블과 제어 케이블의 경로는 전자 장애를 피하기 위하여 분리하십시오 (이격 거리 > 20 cm) .

주 : 동일한 케이블에 24 VDC 와 115/230 VAC 신호를 혼합하여 사용하지 마십시오 .



속도 제어

아날로그 입력은 ACS55 에 속도 (주파수) 레퍼런스로 사용됩니다 . DIP 스위치의 설정에 따라 아래 그림과 같이 아날로그 입력 및 레퍼런스 응답을 적용할 수 있습니다 . ACC/DEC 포텐션미터의 설정과 레퍼런스의 변화에 따라 출력 주파수가 변합니다 .


고주파수 운전 모드 오프 (표준)	고주파수 운전 모드 온
<p>DIP 스위치 설정 : HI FREQ = 오프 AI OFFSET = 오프 (a 곡선), 온 ** (b 곡선) MOTOR NOM FREQ = 50, 60 Hz</p> <p>출력 주파수는 모터의 정격 주파수로 제한됩니다 .</p>	<p>DIP 스위치 설정 : HI FREQ = 온 AI OFFSET = 오프 (a 곡선), 온 ** (b 곡선) MOTOR NOM FREQ = 50, 60 Hz</p> <p>출력 주파수는 HI FREQ 포텐션미터의 설정에 따라 $f_N \sim f_N + 70 \text{ Hz}$ 사이에서 제한됩니다 . 포텐션미터는 아날로그 입력의 스케일에 영향을 주지 않습니다 .</p>
<p>* AI 점퍼의 설정에 따라 전압 및 전류 신호를 선택할 수 있습니다 . 258 쪽을 참조하세요 .</p> <p>** 아날로그 신호값이 2 V (4 mA) 이하로 떨어지거나 결상이 되면 , 드라이브 보호를 위하여 드라이브가 정지합니다 .</p>	

상태표시 및 고장 진단

ACS55 는 전면에 두개의 상태 표시용 LED 를 가지고 있습니다 .

드라이브에 문제가 감지되면 적색 LED 가 깜박입니다 . 고장 해제를 위하여 기동 신호를 끕니다 . 만약 , 기동 신호가 이미 꺼져 있는 상태 라면 , 기동 신호의 온 , 오프를 다시 반복합니다 .

아래의 고장 부호 (= LED 의 깜박 거림 횟수) 를 참조하십시오 .

녹색 LED	적색 LED	내용
온	오프	ACS55 정상 동작 .
온	깜박거림 온  오프	보호 기능 동작 . LED 의 깜박거림 횟수가 고장 부호를 나타냅니다 .
깜박거림	깜박거림	ACS55 는 3 초 안에 자동 고장해제 됩니다 .(*) 경고 ! 기동 신호가 온되어 있으면 , 모터가 자동 기동됩니다 .

#	추정 원인 및 조치 내용	#	추정 원인 및 조치 내용
1	DC 과전압 (*). 1) 입력 전압이 너무 높음 : 입력 전압 확인 . 2) 부하 관성 대비 감속 시간이 너무 짧음 : ACC/DEC 포텐션미터의 시간을 조정합니다 .	7	모터 과부하 (I^2t 과부하): 1) 부하 확인 및 모터 대비 ACS55 용량 확인 . 2) 모터와 MOTOR I NOM 포텐션미터의 설정이 일치하는지 확인하십시오 .
2	DC 저전압 (*). 입력 전압이 너무 낮음 : 입력 전압 확인 .	8	인버터 과부하 또는 내부과열 : 1) 과부하 또는 2) 드라이브의 냉각이 원활하지 않음 .
3	출력 회로 단락 : 전원을 끈 후 , 모터의 권선 및 케이블을 확인하십시오 .	9	기타 고장 . 내부 에러 . 전원을 꺾다 다시 켜십시오 . 만약 문제가 지속되면 유닛을 교체하시기 바랍니다 .
4	출력 과전류 . 1) 부하 관성 대비 가속 시간이 너무 짧음 : ACC/DEC 포텐션미터의 시간을 조정합니다 . 2) 모터와 드라이브의 용량이 맞지 않음 : 모터를 확인하세요 .	10	파라미터 이상 . 주 : 두개의 LED 가 깜박임 . DriveConfig 을 이용하여 파라미터를 재 설정 한 후 , DIP 스위치를 표준 설정 으로부터 제거하였다가 다시 원상 복귀합니다 .
5	예약된 기능	11	드라이브 배터리 방전 . 드라이브 동작 불가 . 전원이 인가되면 드라이브 동작합니다 . 단 드라이브가 Drive Config Kit 로 전원 공급 될 경우 드라이브와 DriveConfig 의 연결은 동작합니다 .
6	아날로그 신호값이 4 mA/2 V 이하입니다 . (*) 주 : 이 기능은 AI OFFSET 이 온되어 있을때 동작합니다 .	12	DriveConfig나 다른 장비를 이용하여 운전하는 동안 통신 이상 . 통신상태를 확인하십시오

(*) AUTORESET 기능이 온되어 있으면 자동 고장해제됩니다 . 254 쪽의 DIP 스위치 를 참조하세요 .

기술 데이터

		230 V					115 V	
EMC 필터 내장 , ACS55-01E-		01A4-2	02A2-2	04A3-2	07A6-2	09A8-2	01A4-1	02A2-1
EMC 필터 없음 , ACS55-01N-		01A4-2	02A2-2	04A3-2	07A6-2	09A8-2	01A4-1	02A2-1
모터 연속 정격	kW	0.18	0.37	0.75	1.5	2.2	0.18	0.37
	hp	1/4	1/2	1	2	3	1/4	1/2
프레임 사이즈 (EMC 필터 없음)		A	A	B	C	C	A	A
프레임 사이즈 (EMC 필터 내장)		A	A	B	D	D	A	A
일반 정격								
입력 전압 U_1	V	200...240 (+10/-15%)					110...120 (+10/-15%)	
연속 출력 전류 I_2	A	1.4	2.2	4.3	7.6	9.8	1.4	2.2
최대 출력 전류 I_{2max}^*	A	2.1	3.3	6.5	11.4	14.7	2.1	3.3
출력 전압 U_2	V	0... U_1 , 3-상					0... $2 \times U_1$, 3-상	
입력 전류 I_1	A	4.4	6.9	10.8	18.2	22.0	6.4	9.5
스위칭 주파수	kHz	5 (최대 16)						
제한값 (보호)								
과전류 (피크)	A	4.4	6.9	13.5	23.9	30.9	4.4	6.9
과열		95°C / 203°F (방열판)						
최대 케이블 사이즈								
전원 , 모터 케이블 단자대	mm ²	2.5 (AWG 14)			4 (AWG 12)		2.5 (AWG 14)	
제어 케이블 단자대	mm ²	1.5 (AWG 16)						
손실	W	21	32	51	74	103	24	35
입력 휴즈 크기 **								
IEC, 타입 IEC269 gG	A	10	16	16	25	32	10	16
UL, 타입 CC 및 T	A	10	15	20	25	30	10	15
중량 (EMC 필터 내장) , ACS55-01E-	kg (lb)	0.65 (1.4)	0.7 (1.5)	0.9 (2)	1.6 (3.5)	1.7 (3.7)	0.65 (1.4)	0.7 (1.5)
중량 (EMC 필터 없음) , ACS55-01N-	kg (lb)	0.65 (1.4)	0.7 (1.5)	0.9 (2)	1.2 (2.6)	1.3 (2.9)	0.65 (1.4)	0.7 (1.5)

* 1 분간 허용 .

** 추천 용량 . 속도형 및 낮은 피크값을 가진 휴즈를 사용하지 마십시오 . 현지 규정을 준수하세요 .

모터 케이블 최대 길이

유럽의 EMC 규정에 따라 모터 케이블 길이를 제한합니다. 아래의 표를 참조하세요. 모터 케이블 길이가 짧을수록, 공급라인 및 환경에 미치는 노이즈의 크기가 작아집니다.

Converter type ACS55-01x-	스위칭 주파수	
내장형 EMC 필터	5 kHz	16 kHz ¹⁾
<i>EN61800-3, 1 차 환경, 비제한 구역 ²⁾</i>		
01A4-2, ..., 04A3-2	10 m	3 m
01A4-1, 02A2-1	10 m	3 m
07A6-2, 09A8-2	10 m	3 m
<i>EN61800-3, 1 차 환경 제한 구역 ³⁾</i>		
01A4-2, ..., 04A3-2	10 m	10 m
01A4-1, 02A2-1	10 m	10 m
07A6-2, 09A8-2	20 m	10 m
<i>EN61800-3, 2 차 환경 ³⁾</i>		
01A4-2, ..., 04A3-2	10 m	10 m
01A4-1, 02A2-1	10 m	10 m
07A6-2, 09A8-2	30 m	10 m

1) 스위칭 주파수는 DIP 스위치로 선택합니다. 255 쪽을 참조하세요.

2) 전도성 노이즈 적용.

3) 전도성 및 방사노이즈 적용.

보호 기능

과전압, 저전압, 출력측 단락, 과전류, 아날로그 입력 결상, 모터 과부하, 인버터 과부하

비접지 네트워크

비접지 네트워크 및 고 임피던스로 접지된 산업용 네트워크에서는 드라이브의 내장형 EMC 필터를 제거한 후 사용하십시오.

환경 정보

폐기되는 제품은 귀중한 원자재를 포함하여 재활용되어 천연자원 및 에너지를 보존합니다. 폐기 방법은 ABB 및 서비스 업체에 문의하십시오.

책임 한도

제조자는 아래 내용에 대하여 책임지지 않습니다.:

- 설치, 시운전, 고장, 수리, 교환에 따른 문제나, 드라이브와 함께 제공하는 메뉴얼 및 기타 관련 자료에서 요구하는 환경 조건을 충족하지 못함으로 인하여 발생한 손실 및 비용.
- 유닛을 잘못 사용하거나 관리 소홀로 발생한 사고.
- 구매자가 제공한 유닛 구성 재료 및 요청에 따른 설계로 구성된 요구에 의한 유닛 구성과 제공되는 장치.

제조자, 공급자 또는 하청업자는 어떤 경우에도 특정의 간접적이며 우발적인 또는 결과적으로 발생하는 손상, 손실 또는 불이익에 대한 책임을 지지 않습니다.

사용중인 ABB 드라이브에 관련된 의문사항이 있는 경우, 현지 대리점이나 ABB 사무실에 문의하십시오. 기술 데이터, 정보 및 상세 사양은 인쇄시점에서 유효한 내용입니다. 제조자는 사전 고지없이 수정할 수 있는 권리를 가지고 있습니다.

형식 인증

CE

ACS55 는 CE 관련하여 아래와 같은 기준을 적용합니다 .

- 저전압 지침 73/23/EEC
- EMC 지침 89/336/EEC

주요 기준 목록에 대응하는 선언문을 요구하여 사용할 수 있습니다 .

EMC:

ACS55 는 본 메뉴얼의 지침에 따라 제품을 설치하여 사용할 경우 아래의 표준을 충족시킵니다 .:

도전성 고주파수 방출	EN61800-3 1 차 환경 , 비제한 / 제한 구역 1)
방사성 고주파수 방출	EN61800-3 1 차 환경 , 제한 구역
면역성	EN61800-3 2 차 환경
입력전원 전류 하모닉	IEC61000-3-2

1) 사용 가능한 최대 모터 케이블의 길이와 스위칭 주파수는 263 쪽을 참조하십시오 . 케이블 연결에 관련된 내용은 259 쪽을 보시기 바랍니다 .

전류 하모닉 레벨은 적절항 외장형 입력 초오크를 사용하여 줄일 수 있습니다 .

UL, cUL 및 C-Tick 마킹

명판을 참조하세요 .

UL, cUL:

ACS55 는 CC 또는 T급의 휴즈로 보호되고 있을 때 , 회로 차단용량이 65 kA rms 대칭 전류를 넘지 않고 , 최대 230V 범위내에서 적절하게 사용할 수 있습니다 .

C-Tick:

EMC 적합성에 대하여 CE 편을 참조하시기 바랍니다 .

미국내 제품 보호

이 제품은 다음 중 하나 이상의 미국 특허와 관련된 보호를 받습니다 .

4,920,306	5,301,085	5,463,302	5,521,483	5,532,568	5,589,754
5,612,604	5,654,624	5,799,805	5,940,286	5,942,874	5,952,613
6,094,364	6,147,887	6,175,256	6,184,740	6,195,274	6,229,356
6,252,436	6,265,724	6,305,464	6,313,599	6,316,896	6,335,607
6,370,049	6,396,236	6,448,735	6,498,452	6,552,510	6,597,148
6,741,059	6,774,758	6,844,794	6,856,502	6,859,374	6,922,883
6,940,253	6,934,169	6,956,352	6,958,923	6,967,453	6,972,976
6,977,449	6,984,958	6,985,371	6,992,908	6,999,329	7,023,160
7,034,510	7,036,223	7,045,987	7,057,908	7,059,390	7,067,997
7,082,374	7,084,604	7,098,623	7,102,325	D503,931	D510,319
D510,320	D511,137	D511,150	D512,026	D512,696	D521,466

기타 특허 내용은 진행중 입니다 .

선택 품목

입력 초오크 : CHK-A1, CHK-B1, CHK-C1, CHK-D1

출력 초오크 : ACS-CHK-B3, ACS-CHK-C3

포텐션미터 유닛 : ACS55-POT

DriveConfig PC 툴

자세한 내용은 현지 대리점이나 ABB 사무실에 문의하십시오 .



Declaration of Incorporation

(According to Machinery Directive 2006/42/EC)

Manufacturer: ABB Oy
Address: P.O Box 184, FIN-00381 Helsinki, Finland. Street address: Hiomotie 13,

herewith declare under our sole responsibility that the frequency converters with type markings:

ACS55-...

are intended to be incorporated into machinery or to be assembled with other machinery to constitute machinery covered by Machinery Directive 2006/42/EC and relevant essential health and safety requirements of the Directive and its Annex I have been complied with.

The technical documentation is compiled in accordance with part B of Annex VII, the assembly instructions are prepared according Annex VI and the following harmonised European standard has been applied:

EN 60204-1:2006 + A1:2009

Safety of machinery - Electrical equipment of machines- Part 1: general requirements

and that the following technical standard have been used:

EN 60529 (1991 + corrigendum May 1993 + amendment A1:2000)

Degrees of protection provided by enclosures (IP codes)

The person authorized to compile the technical documentation:

Name: Jukka Päri
Address: P.O Box 184, FIN-00381 Helsinki

The products referred in this Declaration of Incorporation are in conformity with Low voltage directive 2006/95/EC and EMC directive 2004/108/EC. The Declaration of Conformity according to these directives is available from the manufacturer.

ABB Oy furthermore declares that it is not allowed to put the equipment into service until the machinery into which it is to be incorporated or of which it is to be a component has been found and declared to be in conformity with the provisions of the Directive 2006/42/EC and with national implementing legislation, i.e. as a whole, including the equipment referred to in this Declaration.

ABB Oy gives an undertaking to the national authorities to transmit, in response to a reasoned request by the national authorities, relevant information on the partly completed machinery. The method of transmission can be either electrical or paper format and it shall be agreed with the national authority when the information is asked. This transmission of information shall be without prejudice to the intellectual property rights of the manufacturer.

Helsinki, 30.03.2010

A handwritten signature in black ink, appearing to read 'Jukka Poutanen', written over a horizontal line.

Jukka Poutanen

Vice President
ABB Oy, BAU Drives



ABB Limited

Daresbury Park
Daresbury
Warrington
Cheshire
WA4 4BT

UNITED KINGDOM

Telephone +44 1925 741111
Fax +44 1925 741212

3AFE68929300 Rev C
EN, DA, DE, ES, FI, FR, IT, NL, PT, RU, SV, CN, KR
EFFECTIVE: 2010-04-12

ABB Oy

Drives
P.O. Box 184
FI-00381 HELSINKI
FINLAND

Telephone +358 10 22 11
Fax +358 10 22 22681
Internet www.abb.com/drives

ABB Inc.

Automation Technologies
Drives & Motors
16250 West Glendale Drive
New Berlin, WI 53151

USA
Telephone 262 785-3200
1-800-HELP-365
Fax 262 780-5135

**ABB Beijing Drive Systems Co.
Ltd.**

No. 1, Block D, A-10 Jiuxianqiao
Beilu
Chaoyang District
Beijing, P.R. China, 100015

Telephone +86 10 5821 7788
Fax +86 10 5821 7618
Internet www.abb.com/drives